



# MAXX

# COLD

*X-series*

## MOBILE CHEST FREEZER MERCHANDISERS INSTALLATION, MAINTENANCE & OPERATING MANUAL

**EQPI : NCVGWTU'EQHHT'GU'  
O CTEJ CPF KUGWTU'O QDKNGU**

**I WKF G'F P UVCNNCVKQP . F GP VTGVKGP 'GV'F WKNKUCVKQP**

**EQO GTEKCNK CF QTGU'O ~ XKNGU'FG'**

**EQPI GNCFQT'J QTK QPVCN**

**O CPWCN'FG'QRGTCEK P. P UVCNCEK P' 'O CPVGP KO IGP VQ**



**Models / Modèles / Modelos:**

**MXF25CHC-2 / MXF32CHC-3 / MXF40CHC-4 / MXF48CHC-5 /  
MXF54CHC-6 / MXF64CHC-7 / MXF72CHC-8**

FOR AUTHORIZED PARTS or TECHNICAL SERVICE, please contact:  
Pour les PIÈCES AUTORISÉES ou une ASSISTANCE TECHNIQUE, veuillez composer le :  
PARA PIEZAS AUTORIZADAS o SERVICIO TÉCNICO, favor de llamar al:  
1 877 368-2797 / Service@MaxxHelp.com



# TABLE OF CONTENTS

TECHNICAL SERVICE CONTACT INFORMATION	COVER
SAFETY PRECAUTIONS	2
PROPER DISPOSAL OF THE FREEZER REPLACEMENT PARTS	
HOW TO CONNECT ELECTRICITY	3-4
TRANSPORTATION AND INSTALLATION	
TEMPERATURE DISPLAY & CONTROL PANEL	4
DEFROST FUNCTION	5
NORMAL OCCURENCES FOOD STORAGE TECHNICAL DATA	
EXTERNAL AND INTERNAL DIMESIONS	6
PARTS DIAGRAMS	7-8
TROUBLESHOOTING	9-10
GENERAL MAINTENANCE & CLEANING CLEANING THE CONDENSER	
WARRANTY INFORMATION	11
FRENCH	12
SPANISH	22



## **SAFETY PRECAUTIONS**

When using electrical appliances, basic safety precautions should be followed, including the following:

- Equipment must be properly installed and located in accordance with the installation Instructions.
- Do not allow children to climb, stand, crawl inside or hang on to the equipment.
- Do not touch the cold surfaces in the freezer compartment when hands are damp or wet. Skin may stick to these extremely cold surfaces.
- Do not store or use gasoline or other flammable vapors and liquids in the vicinity of this or any other appliance. Do not store explosive substances such as aerosol cans with a flammable propellant in this appliance.
- Keep fingers out of the “pinch point” areas; clearances between the doors and between the doors and cabinet are necessarily small; be careful closing doors when children are in the area.
- Unplug the equipment before cleaning and making repairs.

**NOTE: We strongly recommend that any servicing be performed by a qualified technician.**



### **WARNING**

- The manufacturer has a policy of continuous improvement on our products and reserve the right to change materials and specifications without notice. To confirm the specific parameters, please refer to the name plate ratings.
- The freezer requires periodic maintenance and cleaning. Failure to provide this care voids the appliances warranty.
- Do not expect optimal performance if the ambient temperature exceeds 84°F (29°C) &/or the relative humidity is higher than 60%.



### **FLAMMABLE RISK OF R290 & R600 REFRIGERANTS**

- Risk Of Fire Or Explosion. To Be Repaired Only By Trained Service Personnel.
- Do Not Puncture Refrigerant Tubing.
- Consult Repair Manual/Owner’s Guide Before Attempting To Service This Product. All Safety Precautions Must be Followed.
- Dispose Of Property In Accordance With Federal Or Local Regulations.

## **PROPER DISPOSAL OF THE FREEZER**

If you are getting rid of your old freezer / refrigerator, please follow these instructions, at minimum:

*BEFORE YOU THROW AWAY YOUR OLD REFRIGERATOR OR FREEZER:*

- Take off the doors.
- Leave the shelves in place so that children may not easily climb inside.

### *APPLIANCE DISPOSAL*

When recycling appliance please make sure that the refrigerants are handled according to local and national codes, requirements and regulations.

### *REFRIGERANT DISPOSAL*

Make sure the refrigerant is removed for proper disposal by a qualified service technician. If you intentionally release any refrigerants you can be subject to fines and imprisonment under provisions of the environmental regulations.

## **REPLACEMENT PARTS**

- Component parts shall be replaced with like components. Always use the manufacturer authorized / provided parts for the best results.
- Servicing shall be done by authorized service personnel, to minimize the risk of further damage due to incorrect parts or improper service.
- If the supply cord is damaged, it must be replaced by a special cord or assembly available from the manufacturer or its approved / authorized service agent.

## **WARNING**

### **HOW TO CONNECT ELECTRICITY**

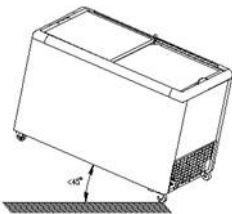
**DO NOT, UNDER ANY CIRCUMSTANCES, CUT OR REMOVE THE GROUND PRONG FROM THE POWER CORD. FOR PERSONAL SAFETY, THIS APPLIANCE MUST BE PROPERLY GROUNDED.**

- The power cord from this appliance is equipped with a grounding plug which minimizes the possibility of electric shock hazard.
- Have the wall outlet and circuit checked by a qualified electrician to make sure the outlet is properly grounded.
- It is your personal responsibility and obligation to have your outlet replaced with the properly grounded wall outlet.
- The refrigerator should always be plugged into its own individual dedicated electrical circuit, which has a voltage rating that matches the rating plate. This provides the best performance and also prevents overloading building wiring circuits which could cause a fire hazard from overheated wires or tripping a circuit breaker / blowing a protective fuse.
- Never unplug the equipment by pulling on the power cord. Always grip plug firmly and pull straight out from the outlet.
- Repair or replace immediately all power cords that have become frayed or otherwise damaged.
- Do not use a cord that shows cracks or abrasion damage along its length or at either end.
- When removing the equipment away from the wall, be careful not to roll over or damage the power cord. If power cord is damaged it should be replaced with original equipment manufacturer parts. To avoid hazard this should be done by a qualified service technician.
- Do not plug the power cord into an extension cord. This can create a fire hazard or short circuit.

## **WARNING**

Compressor warranties are void if compressor burns out due to low voltage.  
Power supply cord ground should not be removed!  
Do not use electrical appliances inside the compartments of this equipment.

### **TRANSPORTATION AND INSTALLATION**



1. When you transport the freezer, the angle between the compartment body and the ground should be no more than 45°, and you should never place the freezer up-side down.
2. Do not use any of the external part as loading points, for example, the condenser on the back, the door or the hinge.
3. When the freezer is installed or used, all the package (including board and foam plastic) should be properly disposed of. Please recycle, when possible.
4. Keep the freezer stable and level to avoid vibration and noise.
5. The freezer should be installed in a place with good ventilation, a space of at least 4" (10cm) should be allowed between the surrounding walls and the cabinet wall for proper air circulation.
6. It should be placed far from any heat source and not under direct sunshine to avoid less efficient performance due to the high ambient temperature.
7. Install the freezer in a dry place to prevent the compartment body from rusting, which may (1) affect the electric insulation (2) create a food safety contamination risk and (3) reduce the appliance's expected useful life.

#### **CAUTIONS:**

1. The freezer must be properly grounded to avoid a shock hazard.
2. In case of any damage to the electric wires and/or plug, please contact an authorized electrician to repair the connection.
3. If the voltage is unstable, please provide a suitable automatic voltage regulator and/or surge protection.
4. Allow the freezer to reach its operating temperature before it is loaded with product.
5. You should adjust the temperature control according to the required temperature and quantity/tiers of the stored

food (ice cream tubs, etc.) and the environmental temperature/required conditions for the stored product to maintain its quality.

6. Before putting product into the freezer please adjust the temperature control to its lowest set point and let it run until the temperature of inner cabinet decreases to 0°F (-18°C.) Once the unit reaches 0°F (-18°C), set the unit to your desired set point and load product. NOTE: For high elevation installations, it may be necessary to “warm-up” the cabinet to higher set points.
7. Unplug the appliance by pulling the cord cap (plug) NOT the electrical cord.
8. Never put hot food in the freezer. Only place product in the freezer after it has reached its ideal storage temperature. Some foods will need to be placed in a refrigerator or another freezer to cool down past room temperature prior to placing in the freezer.
9. Do not overfill the unit. Keep the top item at least 4" (10cm) below the brim on the cover. There should be reasonable space between the food items for better temperature regulation.
10. If a power outage occurs, you should wait at least 5 minutes before the freezer is turned on again to avoid damage to the compressor.
11. Never store any flammable, explosive and corrosive liquid or gas in the freezer. Keep it away from this appliance.
12. Beer, beverage, fresh flowers, medicine and injections cannot be put into the freezer for storage or cooling. Handling them in the freezer voids the warranty
13. If the stored items are not placed in properly sealed, protective packaging, then ice crystals may form or the product quality can be affected.

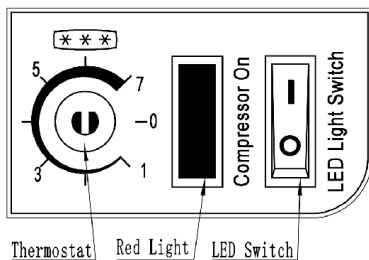
**NOTE:** Before loading product we recommend you run the unit empty for two to three days. This allows you to be sure electrical wiring and installation are correct and no shipping damage has occurred.

### LOSS OF FOOD PRODUCT IS NOT COVERED BY THE WARRANTY

## TEMPERATURE DISPLAY:

The thermometer shows the warmest frozen food temperature. It is adjusted and designed so that only temperature below 32°F (0°C) is accurately displayed.

## THE FUNCTION OF THE CONTROL PANEL:

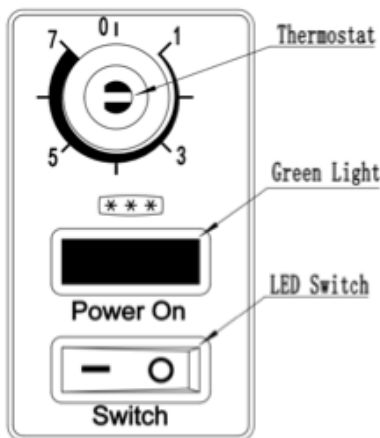


The numbers on the temperature control 1-7 reflect the relative temperature setting from high to low.

The specific temperature is not shown or indicated by this knob.

Turn the knob clockwise: the cabinet temperature will go DOWN.

Turn the knob counter-clockwise, the cabinet temperature will go UP.



MXF25CHC-2 (Top Image) - When the red light is ON, the compressor is working.

ALL OTHER MODELS (Bottom Image) - The green light is a power indicator. When the green light is ON, the power is connected.

After the temperature setting is adjusted and the appliance is turned on, it will take time, possibly several hours for the unit to reach the new temperature setting.

## **DEFROST / IF ICE BUILDS UP ON INTERIOR WALLS:**

1. Defrost the unit when the frost thickness on the wall of the cabinet reaches 1/4" (6mm) to optimize the freezing capacity.
2. Turn the temperature control to the lowest point for 5-6 hours before defrosting.
3. Cut off the power and take out the food.
4. Use of warm water or a plastic scraper may accelerate the defrosting time of the cabinet wall.
5. After defrosting, clean the wall with dry cloth. Turn the power on. Allow time for the cabinet to reach its set-point temperature. And then load the cabinet with food.

## **NORMAL OCCURENCES:**

1. There may be a sound of flowing water when the refrigerant is running.
2. When the ambient humidity is too high, there will be condensation on the surface of the freezer and the lid.
3. When the machine is running, the condenser and compressor will be hot.

**NOTE:** Do not expect optimal performance if the ambient temperature exceeds 84°F (29°C) or the local environment exceeds 60% relative humidity.

## **FOOD STORAGE:**

The appliance is suitable for storing ice cream and similar ready-frozen foods.

Product must not be filled higher than the stacking mark on the inside of the freezer. (4" from the sliding lid)

LOAD LINE

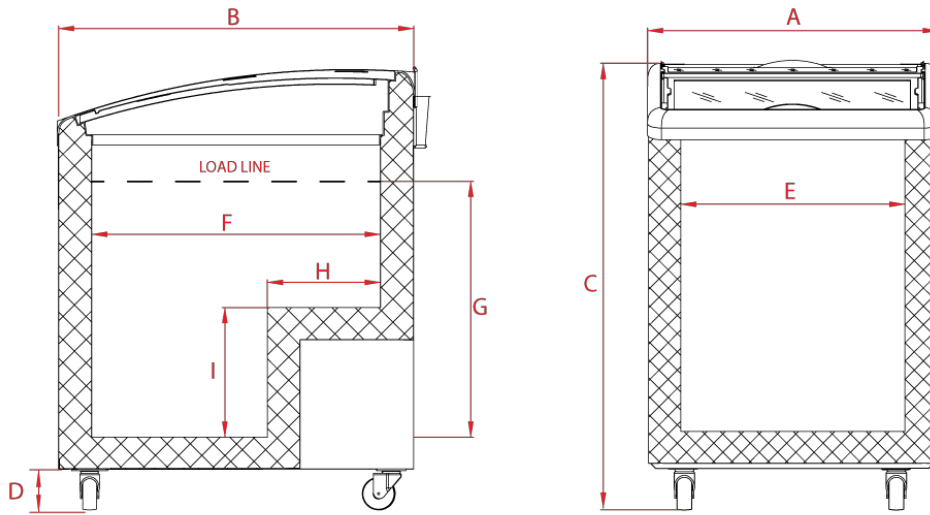


## **TECHNICAL DATA:**

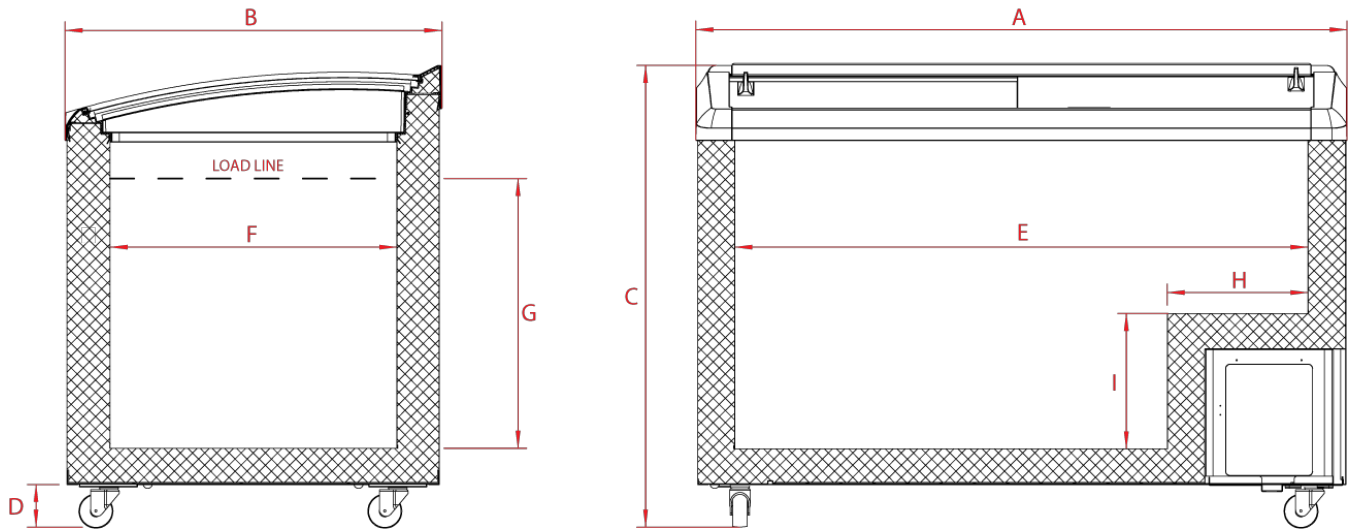
MODEL	ELECTRICAL POWER	NET VOLUME CuFt (L)	REFRIGERANT	NET WEIGHT Lbs (kg)	HORSEPOWER HP (W)	NEMA PLUG
MXF25CHC-2	115V/60Hz	3.81 (108)	R600a	103.6 (47)	1/9 (89)	5-15P
MXF32CHC-3	115V/60Hz	4.87 (138)	R290a	114.6 (52)	1/7 (118)	5-15P
MXF40CHC-4	115V/60Hz	6.71 (190)	R290a	130.1 (59)	1/5 (150)	5-15P
MXF48CHC-5	115V/60Hz	8.62 (244)	R290a	152.1 (69)	1/4 (186)	5-15P
MXF54CHC-6	115V/60Hz	9.96 (282)	R290a	165.4 (75)	1/4 (186)	5-15P
MXF64CHC-7	115V/60Hz	12.36 (350)	R290a	187.4 (85)	1/4+ (232)	5-15P
MXF72CHC-8	115V/60Hz	14.30 (405)	R290a	231.5 (105)	1/2 (340)	5-15P

# EXTERIOR AND INTERIOR DIMENSIONS:

## MXF25CHC-2



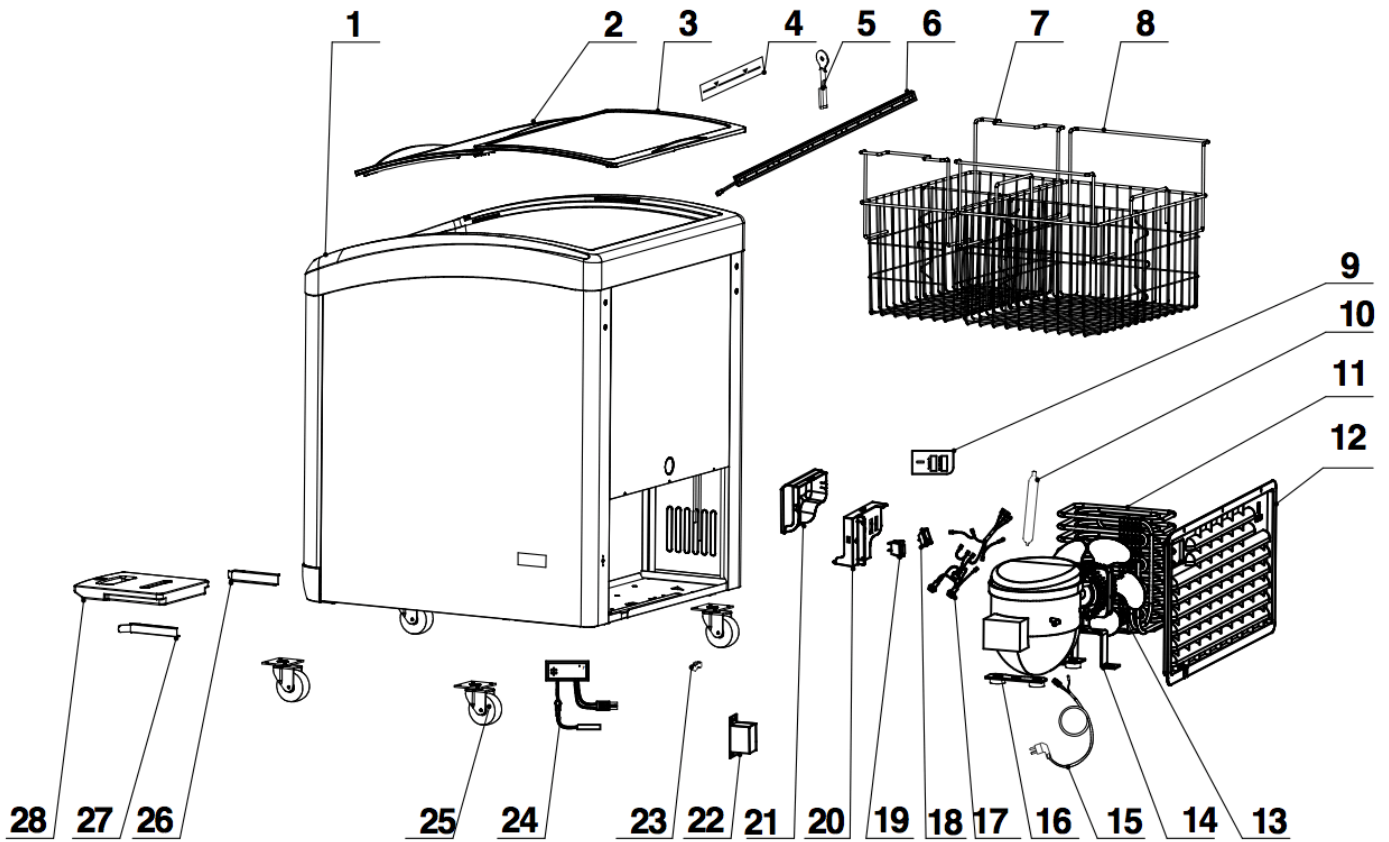
## MXF32CHC-3 / MXF40CHC-4 / MXF48CHC-5 / MXF54CHC-6 / MXF64CHC-7 / MXF72CHC-8



MODEL	EXTERNAL DIMENSIONS				INTERNAL DIMENSIONS				
	A	B	C	D	E	F	G	H	I
MXF25CHC-2	24.6 in 625mm	27.6 in 700 mm	32.6 in 828 mm	3 in 76.2 mm	18.5 in 470 mm	21.7 in 550 mm	18.9 in 480mm	8.7 in 220 mm	9.7 in 245
MXF32CHC-3	31.5 in 800 mm	27.5 in 697 mm	33.5 in 850 mm	3 in 76.2 mm	25.8 in 656 mm	20.9 in 530 mm	19.6 in 498 mm	10.2 in 260 mm	9.8 in 250 mm
MXF40CHC-4	39.4 in 1000 mm	27.5 in 697 mm	33.5 in 850 mm	3 in 76.2 mm	33.7 in 856 mm	20.9 in 530 mm	19.6 in 498 mm	10.2 in 260 mm	9.8 in 250 mm
MXF48CHC-5	47.4 in 1204 mm	27.5 in 697 mm	33.5 in 850 mm	3 in 76.2 mm	41.7 in 1060 mm	20.9 in 530 mm	19.6 in 498 mm	10.2 in 260 mm	9.8 in 250 mm
MXF54CHC-6	53.2 in 1350 mm	27.5 in 697 mm	33.5 in 850 mm	3 in 76.2 mm	47.5 in 1206 mm	20.9 in 530 mm	19.6 in 498 mm	10.2 in 260 mm	9.8 in 250 mm
MXF64CHC-7	63.4 in 1610 mm	27.5 in 697 mm	33.5 in 850 mm	3 in 76.2 mm	57.7 in 1466 mm	20.9 in 530 mm	19.6 in 498 mm	10.2 in 260 mm	9.8 in 250 mm
MXF72CHC-8	71.7 in 1820 mm	27.5 in 697 mm	33.5 in 850 mm	3 in 76.2 mm	66 in 1676 mm	20.9 in 530 mm	19.6 in 498 mm	10.2 in 260 mm	9.8 in 250 mm

# PARTS DIAGRAM:

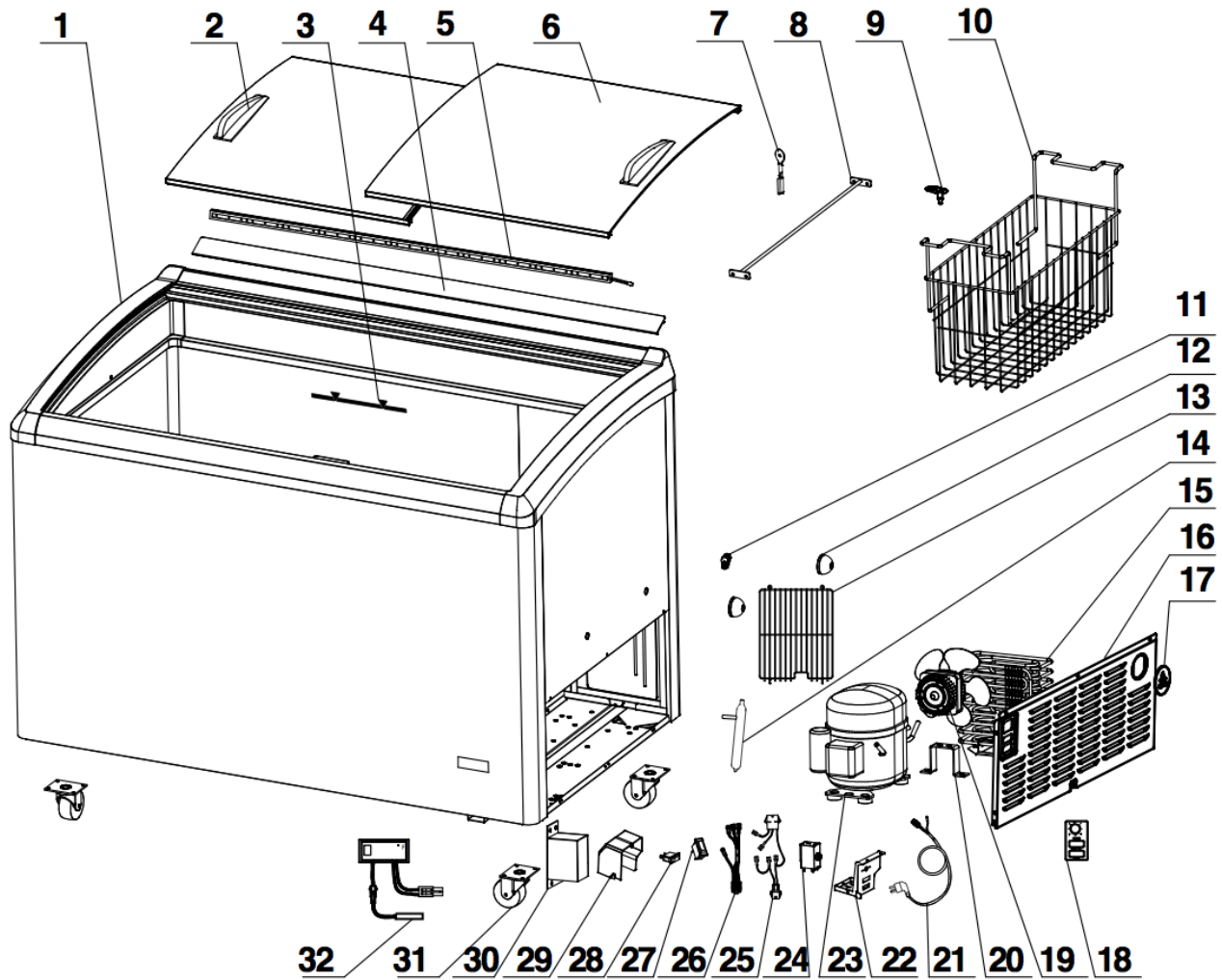
MXF25CHC-2



Number	Description	Number	Description
1	Cabinet	15	Power Cable
2	Down Glass Door	16	Compressor
3	Up Glass Door	17	Control Bracket Connection Wire
4	Max Load Line	18	LED Switch
5	Lock	19	Red Light
6	LED Light	20	Control Bracket
7	Smaller Basket	21	Control Bracket Cover
8	Bigger Basket	22	Transformer
9	Control Panel	23	Double Orifice Press Block
10	Filter Dryer	24	Thermometer
11	External Condenser	25	Caster
12	Cover	26	Left Rail for Water Pan
13	Fan	27	Right Rail for Water Pan
14	Fan Bracket	28	Water Disposal Pan

# PARTS DIAGRAM:

MXF32CHC-3 / MXF40CHC-4 / MXF48CHC-5 / MXF54CHC-6 / MXF64CHC-7 / MXF72CHC-8



Number	Description	Number	Description
1	Cabinet	17	Cover Socket
2	Down Glass Door	18	Control Panel
3	Max Load Line	19	Fan
4	Pricing Display	20	Fan Bracket
5	LED Light	21	Power Cable
6	Up Glass Door	22	Control Bracket
7	Lock	23	Compressor
8	Support Rod (MXF72CHC-8 only)	24	Thermostat
9	Plug	25	Control Bracket Connection
10	Basket	26	Compressor Connection
11	Double Orifice Press Block	27	Green Light
12	Bumper	28	LED Switch
13	Rear Cover	29	Control Bracket Cover
14	Filter Dryer	30	Transformer
15	External Condenser	31	Caster
16	Side Cover	32	Thermometer

## **TROUBLESHOOTING:**

<b>ISSUE</b>	<b>REASON</b>	<b>SOLUTION</b>
Product thawing / not freezing	Temperature control is on the highest point	Adjust the temperature
	Plug and outlet not connected well	Securely connect the plug to the outlet
	Blown fuse or tripped breaker	Change the fuse / Reset the breaker
Compressor Continues to Run	Temperature control is on the lowest point	Adjust temperature control
	Too much product stored in the cabinet	Reduce the quantity
	Thick frost	Defrost
	Lid is open for extended periods of time. Lid is open too frequently.	Reduce the length of time or the frequency of the lid being open.
	Too close to the wall	Reposition unit 4" from the wall
	Close to a hot source or in the sun	Change the unit's location or remove the heat source
Loud Noise	Ground is not flat so unit doesn't sit level and is making a vibrating noise	Change the unit's location to a flat surface
	Refrigerant lines are connected or too close together	Separate the refrigerant lines

**NOTE:** If the unit continues to have issues and you cannot solve the troubles according to the above-mentioned troubleshooting information or guidelines, please contact an authorized service agent. Do not handle it yourself unless you are a trained and licensed refrigeration technician.

## **GENERAL MAINTENANCE AND CLEANING:**

1. To save energy, keep the door closed as much as possible. Do not open the door frequently or leave it open for extended periods of time. This will conserve energy and preserve the quality of the food in the cabinet.
2. Never place heavy or hot items on the top of the freezer to avoid damage to the appliance.
3. Turn OFF the power before cleaning.
4. To clean the freezer, use a soft cloth with mild detergent and hot water.
5. Use warm water to clean the magnetic gasket in order to maintain its elasticity. Apply some talcum powder to it to prolong its service life. If the gasket is damaged, replace it immediately.
6. The freezer should not be left unused for a long time. To stop using the freezer and to store it, safely disconnect the main power first, then clean the inside and leave the door open for 2-3 days with an open box of baking soda in the cabinet. Make sure the inside of the cabinet is dry before storing.
7. To return the freezer to use, clean the inside cabinet with a sanitizing solution. Wipe thoroughly with a damp cloth. Allow the unit to air dry, leaving the door open for 2-3 days.

## **CLEANING THE CONDENSER (Related Warranty Information)**

- Condensers will accumulate dirt and require cleaning every 30 days.
- Dirty condensers result in compressor failure, product loss, and lost sales, which are not covered by warranty.
- If you keep the Condenser clean you will minimize your service expense and lower your electrical costs.
- The Condenser requires scheduled cleaning every thirty days or as needed.
- Air is pulled through the Condenser continuously, along with dust, lint, grease, etc.
- A dirty Condenser can result in voiding the unit's warranty coverage, as well as, compressor failure, product loss and loss of product sales.
- Proper cleaning involves removing dust from the Condenser. By using a soft brush, or vacuuming the Condenser with a shop vac, or using CO<sub>2</sub>, nitrogen, or pressurized air.
- If you cannot remove the dirt adequately, please call our technical service number and we will refer you to local companies.
- On most of the units the condenser is accessible in the rear of the unit. You may need to remove the cabinet grill to expose the refrigeration system and piping network.
- The Condenser looks like a group of vertical fins. You need to be able to see through the condenser for the unit to function at maximum capacity. Do not place filter material in front of condensing coil. This material blocks air-flow to the coil similar to having a dirty coil.

**THE CLEANING OF THE CONDENSER IS NOT COVERED BY THE WARRANTY!**

**HOW TO CLEAN THE CONDENSER:**

1. Disconnect the electrical power to the unit.
2. Remove the louvered grill.
3. Vacuum or brush the dirt, lint, or debris from the finned condenser coil.
4. If you have a significant dirt build up you can blow out the condenser with compressed air.

**NOTE: TO AVOID EYE INJURY, EYE PROTECTION IS RECOMMENDED.**

5. When finished be sure to replace the louvered grill. The grill protects the condenser.
6. Reconnect the electrical power to the unit.

If you have any questions, please call our Technical Service Department, 1-877-368-2797.

# LIMITED WARRANTY

For Warranty details, please refer to:  
**www.MaximumFoodService.com or 1-877-368-2797 or Service@MaxxHelp.com**

**A warranty card should have been included with your appliance.**

However, if the warranty card is missing with your product, please send the following information to:

**Warranty & Reference Data Sheet:  
(make a return copy standard post card size)  
Maximum Food Service  
WARRANTY CARD  
C/O Technical Services  
3355 Enterprise Avenue,  
Suite 160 Fort Lauderdale,  
FL 33331**

Brand & Model Number \_\_\_\_\_

Serial Number \_\_\_\_\_

Date of Installation \_\_\_\_\_

Name of Installer \_\_\_\_\_

or  "Plug and Play" Hook-up

Clearance in front of, to the side, and behind the louvered cooling panels for utility compartment?  
\_\_\_\_\_

Temperature of the freezer compartment \_\_\_\_\_

Type of Container in Freezer: \_\_\_\_\_ Novelties \_\_\_\_\_ 3 gallon tubs \_\_\_\_\_ 6 gallon tubs  
\_\_\_\_\_ 3 gallon rectangular cartons \_\_\_\_\_ 6 gallon rectangular cartons  
\_\_\_\_\_ Other

Type of Product in Freezer: \_\_\_\_\_ Ice Cream \_\_\_\_\_ Gelato \_\_\_\_\_ Frozen Custard  
\_\_\_\_\_ Frozen Yogurt \_\_\_\_\_ Sorbet \_\_\_\_\_ Italian Ice  
\_\_\_\_\_ Popsicles \_\_\_\_\_ Sherbert \_\_\_\_\_ Other

Are products stacked to store backups in freezer? \_\_\_\_\_ yes \_\_\_\_\_ no

Are Tub Holders Used? \_\_\_\_\_ yes \_\_\_\_\_ no

Are Tub Holder Skirts Used? \_\_\_\_\_ yes \_\_\_\_\_ no

Is there a Sneeze Guard? \_\_\_\_\_ yes \_\_\_\_\_ no

Are Baskets Used? \_\_\_\_\_ yes \_\_\_\_\_ no

Product Vertical Clearance to the freezer compartment lid? \_\_\_\_\_

Is there a dipper well for this unit? \_\_\_\_\_ yes \_\_\_\_\_ no If yes, water flow \_\_\_\_\_ gpm.

Room Ambient Temperature \_\_\_\_\_

\_\_\_\_\_ (PLEASE INITIAL) The installation Manual has been read and understood.

Date \_\_\_\_\_



# TABLE DES MATIÈRES

COORDONNÉES DES SERVICES TECHNIQUES _____	COUVERTURE
CONSIGNES DE SÉCURITÉ _____	12
MISE AU REBUT CORRECTE DES PIÈCES DE RECHANGE DU CONGÉLATEUR	
COMMENT RACCORDER L'ÉLECTRICITÉ _____	13-14
TRANSPORT ET INSTALLATION	
AFFICHAGE DE LA TEMPÉRATURE ET PANNEAU DE COMMANDES _____	14
FONCTION DE DÉGIVRAGE _____	15
CAS NORMAUX DONNÉES TECHNIQUES SUR LE STOCKAGE DES ALIMENTS	
DIMENSIONS EXTERNES ET INTERNES _____	16
SCHÉMA DES PIÈCES _____	17-18
DÉPANNAGE _____	19-20
ENTRETIEN GÉNÉRAL ET NETTOYAGE NETTOYAGE DU CONDENSEUR	
RENSEIGNEMENTS DE GARANTIE _____	21

## **CONSIGNES DE SÉCURITÉ**

Lorsque vous utilisez des appareils électroménagers, il faut toujours prendre des précautions de base, y compris les suivantes :

- L'équipement doit être installé et situé correctement, conformément aux instructions d'installation.
- Ne laissez pas les enfants grimper, se tenir debout sur ou grimper à l'intérieur de l'équipement.
- Ne touchez pas les surfaces froides du compartiment du congélateur si vos mains sont humides ou mouillées. Il se peut que la peau colle à ces surfaces extrêmement froides.
- N'entreposez ou n'utilisez aucune essence ou autres vapeurs et liquides inflammables à proximité de cet appareil ou de tout autre appareil ménager. N'entreposez pas de substances explosives telles que les générateurs d'aérosol contenant un agent propulseur inflammable dans cet appareil.
- Gardez les doigts en dehors des « points de pincement »; les dégagements entre les portes et entre les portes et l'armoire sont nécessairement petits; faites attention à fermer les portes avec soin lorsque des enfants sont présents aux alentours.
- Débranchez l'équipement avant le nettoyage et les réparations.

**REMARQUE : Nous recommandons fortement que vous fassiez appel à un technicien qualifié pour toutes les réparations.**



### **AVERTISSEMENT**

- Le fabricant a pour principe d'apporter des améliorations continues à ses produits et se réserve le droit de modifier les matériaux et caractéristiques sans préavis. Pour confirmer les paramètres spécifiques, veuillez vous reporter aux caractéristiques nominales de la plaque signalétique.
- Le congélateur requiert un entretien et nettoyage réguliers. Ne pas le faire annulera la garantie de l'appareil.
- Ne vous attendez pas à un rendement optimal si la température ambiante dépasse 29 °C (84 °F) ou si l'humidité relative est supérieure à 60 %.



### **RISQUE D'INFLAMMABILITÉ DES RÉFRIGÉRANTS R290 ET R600**

- Risque d'incendie ou d'explosion. L'appareil doit être réparé par un personnel formé uniquement.
- Ne percez pas le tube de réfrigérant.
- Veuillez consulter le manuel de réparation/guide de l'utilisateur avant de tenter de réparer ce produit. Il faut respecter toutes les consignes de sécurité.
- Veuillez disposer du produit conformément aux réglementations fédérales ou locales.

## **MISE AU REBUT CORRECTE DU CONGÉLATEUR**

Si vous vous débarrassez de votre ancien congélateur/réfrigérateur, veuillez suivre ces instructions au minimum :

*AVANT DE JETER VOTRE ANCIEN RÉFRIGÉRATEUR OU CONGÉLATEUR :*

- Retirez les portes.
- Laissez les tablettes en place, pour empêcher les enfants de pouvoir grimper facilement à l'intérieur.

*MISE AU REBUT DE L'APPAREIL*

Lorsque vous recyclez l'appareil, veuillez vous assurer que les réfrigérants sont manipulés conformément aux codes, exigences et réglementations locaux et nationaux.

*MISE AU REBUT DU RÉFRIGÉRANT*

Assurez-vous que le réfrigérant soit retiré par un technicien de service qualifié pour permettre une mise au rebut appropriée. Si vous déversez volontairement des réfrigérants, vous pouvez faire l'objet d'amendes et d'emprisonnement, conformément aux dispositions des réglementations environnementales.

## **PIÈCES DE RECHANGE**

- Les pièces de composants doivent être remplacées par des composants semblables. Utilisez toujours les pièces autorisées/fournies par le fabricant pour obtenir les meilleurs résultats.
- Les réparations doivent être effectuées par un personnel autorisé pour réduire le risque de dommage supplémentaire causé par de mauvaises pièces ou une réparation incorrecte.
- Si le cordon d'alimentation est endommagé, il doit être remplacé par un cordon ou un assemblage spécial disponible auprès du fabricant ou de son agent de service autorisé.



## AVERTISSEMENT

### COMMENT RACCORDER L'ÉLECTRICITÉ

NE COUPEZ OU RETIREZ EN AUCUN CAS LA BROCHE MISE À LA TERRE DU CORDON D'ALIMENTATION ÉLECTRIQUE. POUR ASSURER VOTRE SÉCURITÉ PERSONNELLE, CET APPAREIL DOIT ÊTRE MIS À LA TERRE CORRECTEMENT.

- Le cordon d'alimentation de cet appareil est doté d'une fiche de mise à la terre pour réduire le risque de choc électrique.
- Faites appel à un électricien qualifié pour inspecter la prise et le circuit muraux, pour vous assurer que la prise est correctement mise à la terre.
- Vous êtes personnellement responsable et obligé de faire remplacer votre prise par une prise murale correctement mise à la terre.
- Le réfrigérateur doit toujours être branché dans sa propre prise électrique individuelle dont la tension nominale correspond à celle spécifiée sur la plaque signalétique. Ceci assure le meilleur rendement possible et empêche également de surcharger les circuits de câblage résidentiel, ce qui pourrait poser un risque d'incendie du fait de fils surchauffés ou déclencher le disjoncteur/griller un fusible de protection.
- Ne débranchez jamais l'équipement en tirant sur le cordon d'alimentation. Saisissez toujours la fiche fermement et retirez-la tout droit de la prise.
- Réparez ou remplacez immédiatement tous les cordons d'alimentation qui sont effilochés ou autrement endommagés.
- N'utilisez pas un cordon qui présente des fissures ou abrasions sur sa longueur ou à l'une de ses extrémités.
- Lorsque vous retirez l'équipement du mur, prenez soin de ne pas rouler sur ou endommager le cordon d'alimentation. Si le cordon d'alimentation est endommagé, il doit être remplacé par les pièces d'équipement originales du fabricant. Pour éviter les risques, ce remplacement doit être effectué par un technicien de service qualifié.
- Ne branchez pas le cordon d'alimentation dans une rallonge. Ceci pourrait poser un risque d'incendie ou un court-circuit.



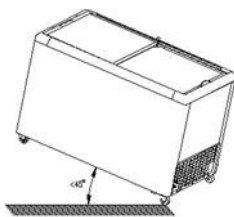
## AVERTISSEMENT

Les garanties du compresseur sont annulées si le compresseur tombe en panne en raison d'une basse tension.

Le cordon d'alimentation électrique mis à la terre ne doit pas être retiré!

N'utilisez pas d'appareils électriques à l'intérieur des compartiments de cet équipement.

### TRANSPORT ET INSTALLATION



1. Lorsque vous transportez le congélateur, l'angle entre le corps du compartiment et le sol ne doit pas dépasser 45° et vous ne devez jamais mettre le congélateur à l'envers.
2. N'utilisez aucune des pièces externes comme point de chargement, par exemple, le condenseur au dos, la porte ou la charnière.
3. Lorsque le congélateur est installé ou utilisé, tout l'emballage (y compris le carton et la mousse plastique) doit être correctement mis au rebut. Veuillez recycler si possible.
4. Gardez le congélateur stable et de niveau pour éviter les vibrations et le bruit.
5. Le congélateur doit être installé dans un emplacement bien aéré, un espace d'au moins 10 cm (4 po) doit être accordé entre les murs avoisinants et la paroi de l'armoire, pour assurer une bonne circulation de l'air.
6. Il doit être placé loin de toute source de chaleur et à l'abri de la lumière solaire directe, pour éviter un rendement moins efficace causé par la température ambiante élevée.
7. Installez le congélateur dans un endroit sec pour empêcher que le corps du compartiment rouille, ce qui pourrait (1) nuire à l'isolation électrique, (2) créer un danger de contamination de la salubrité des aliments et (3) réduire la durée de vie anticipée de l'appareil.

#### ATTENTION :

1. Le congélateur doit être correctement mis à la terre pour éviter tout risque de choc.
2. En cas de dommage aux fils électriques ou à la fiche, veuillez communiquer avec un électricien autorisé pour réparer la connexion.
3. Si la tension n'est pas stable, veuillez obtenir un régulateur de tension ou une protection contre les surcharges automatique approprié(e).
4. Laissez le congélateur atteindre sa température de fonctionnement avant de le charger de produit.
5. Vous devez régler le contrôle de la température conformément à la température requise et à la quantité/aux types d'aliments

(pots de crème glacée, etc.) entreposés ainsi qu'à la température ambiante et aux conditions requises pour permettre au produit entreposé de conserver sa qualité.

6. Avant de placer le produit dans le congélateur, veuillez régler le contrôle de la température à sa valeur de consigne la plus basse et laissez fonctionner jusqu'à ce que la température de l'armoire interne baisse à  $-18\text{ }^{\circ}\text{C}$  ( $0\text{ }^{\circ}\text{F}$ ). Une fois que l'appareil atteint une température de  $-18\text{ }^{\circ}\text{C}$  ( $0\text{ }^{\circ}\text{F}$ ), réglez-le à la valeur de consigne souhaitée et chargez le produit. **REMARQUE :** Pour les installations à des altitudes élevées, il peut s'avérer nécessaire de « réchauffer » l'armoire à des points de consigne plus élevés.
7. Débranchez l'appareil en tirant sur le capuchon du cordon d'alimentation (fiche), **NON** pas sur le cordon d'alimentation électrique.
8. Ne placez jamais d'aliments très chauds dans le congélateur. Ne placez le produit dans le congélateur qu'une fois qu'il atteint sa température de stockage idéale. Certains aliments doivent être placés dans un réfrigérateur ou un autre congélateur afin de refroidir au-delà de la température ambiante, avant d'être placés dans le congélateur.
9. Ne remplissez pas trop l'appareil. Gardez l'article du haut au moins 10 cm (4 po) en-dessous du bord du couvercle. Vous devez accorder un espace raisonnable entre les aliments, pour assurer une meilleure régulation de la température.
10. En cas de panne de courant, attendez au moins 5 minutes avant de remettre le congélateur en marche pour éviter d'endommager le compresseur.
11. N'entreposez jamais de liquide ou gaz inflammable, explosif et corrosif dans le congélateur. Gardez-les éloignés de cet appareil.
12. La bière, les boissons, les fleurs fraîches, les médicaments et les injections ne doivent pas être placés dans le congélateur pour le stockage ou le refroidissement. Les manipuler dans le congélateur annule la garantie.
13. Si les articles stockés ne sont pas placés dans des emballages de protection bien hermétiques, des cristaux de glace peuvent se former ou la qualité du produit peut être affectée.

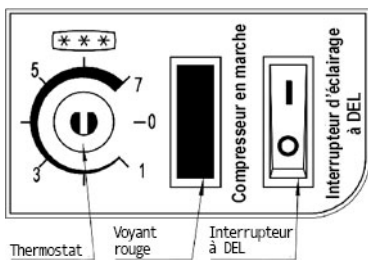
**REMARQUE :** Avant de charger le produit, nous recommandons que vous laissiez marcher l'appareil vide pendant deux à trois jours. Ceci vous permettra de vous assurer que le câblage électrique et l'installation sont corrects et qu'aucun dommage ne s'est produit pendant le transport.

## LA PERTE DE PRODUITS ALIMENTAIRES N'EST PAS COUVERTE PAR LA GARANTIE

## AFFICHAGE DE LA TEMPÉRATURE :

Le thermomètre affiche la température la plus chaude d'aliments congelés. Il est réglé et conçu de façon à afficher exactement et uniquement une température inférieure à  $0\text{ }^{\circ}\text{C}$  ( $32\text{ }^{\circ}\text{F}$ ).

## UTILISATION DU PANNEAU DE COMMANDE :

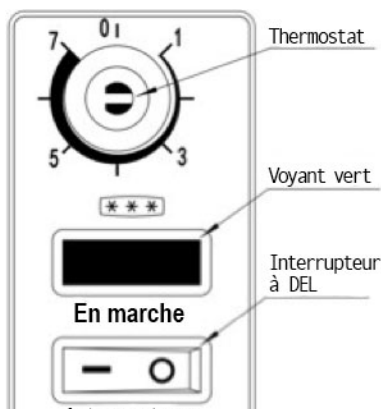


Les chiffres apparaissant sur le contrôle de la température, 1 à 7, reflètent le réglage de température relative d'élevé à bas.

La température spécifique n'est pas affichée ou indiquée par ce bouton.

Tournez le bouton dans le sens horaire : la température de l'armoire BAISSERA.

Tournez le bouton dans le sens antihoraire et la température de l'armoire AUGMENTERA.



MXF25CHC-2 (Image du haut) - Lorsque le voyant rouge est ALLUMÉ, le compresseur fonctionne.

TOUS LES AUTRES MODÈLES (image du bas) - le voyant vert est un indicateur d'alimentation électrique. Lorsque le voyant lumineux vert s'ILLUMINE, l'alimentation électrique est connectée.

Une fois que le réglage de température est établi et l'appareil est mis en marche, l'appareil mettra un peu de temps, peut-être plusieurs heures avant d'atteindre la nouvelle température.

## **DÉGIVREZ / SI LA GLACE S'ACCUMULE SUR LES PAROIS INTÉRIEURES :**

1. Dégivrez l'appareil lorsque le givre atteint 6 mm (1/4 po) d'épaisseur sur la paroi de l'armoire, pour optimiser la capacité de congélation.
2. Réglez le contrôle de la température au point le plus bas pendant 5 à 6 heures avant de dégivrer.
3. Coupez l'alimentation électrique et retirez les aliments.
4. L'utilisation d'eau chaude ou d'un racloir en plastique peut accélérer la durée de dégivrage de la paroi de l'armoire.
5. Après le dégivrage, nettoyez la paroi avec un linge sec. Mettez l'alimentation électrique en marche. Accordez suffisamment de temps pour permettre à l'armoire d'atteindre sa valeur de consigne de température. Ensuite, remplissez l'armoire d'aliments.

## **CAS NORMAUX :**

1. Il se peut que vous entendiez un bruit d'eau qui coule lorsque le réfrigérant circule.
2. Lorsque l'humidité ambiante est trop élevée, une condensation apparaîtra sur la surface du congélateur et le couvercle.
3. Lorsque l'appareil est en marche, le condenseur et le compresseur seront très chauds.

**REMARQUE :** Ne vous attendez pas à un rendement optimal si la température ambiante dépasse 29 °C (84 °F) ou si l'humidité relative de l'environnement local est supérieure à 60 %.

## **STOCKAGE DES ALIMENTS :**

L'appareil convient au stockage de crème glacée et d'aliments similaires prêts à la consommation.

Le produit ne doit pas être rempli plus haut que la marque d'empilage à l'intérieur du congélateur. (10 cm du couvercle coulissant)

**LIGNE DE CHARGEMENT**

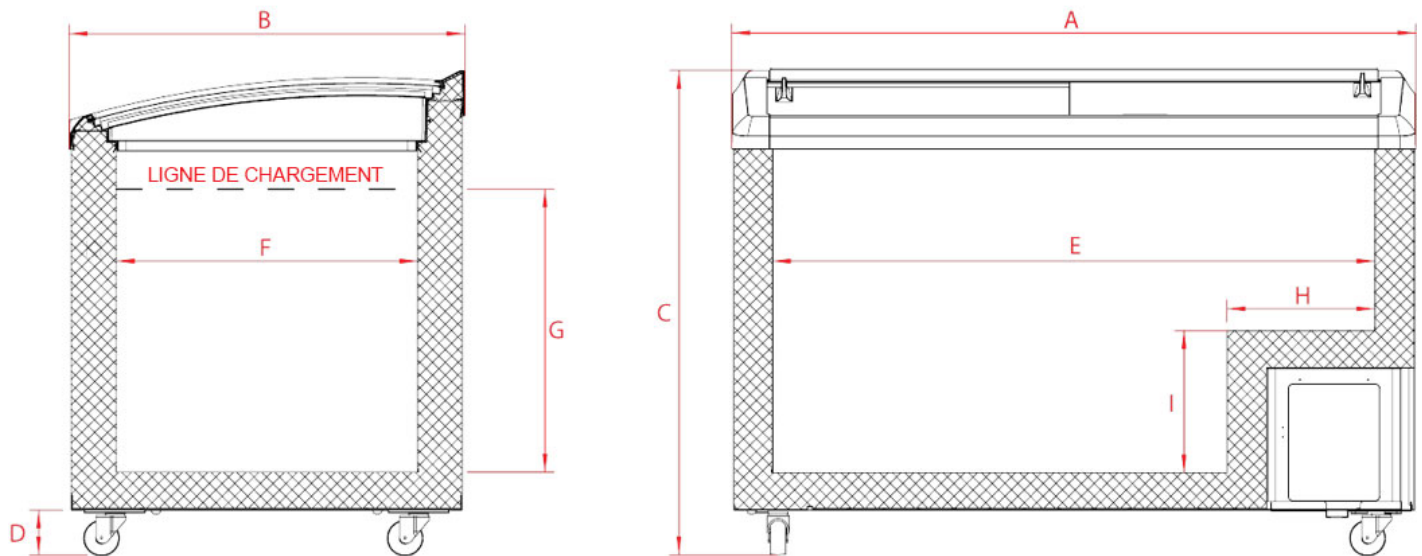
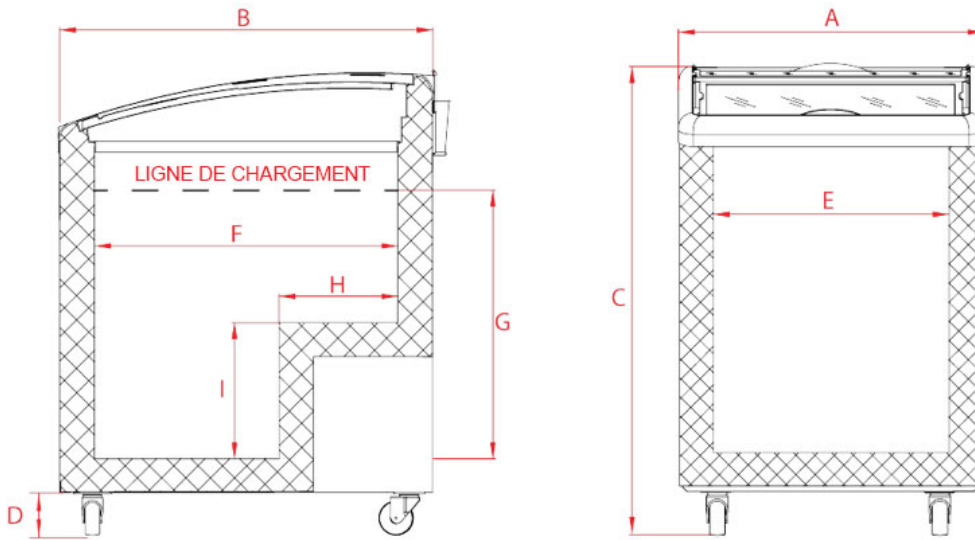


## **DONNÉES TECHNIQUES :**

MODÈLE	ALIMENTATION ÉLECTRIQUE	VOLUME NET EN L (Pi³)	RÉFRIGÉRANT	POIDS NET Kg (lb)	CHEVAL-PUISSANCE HP (W)	FICHE NEMA
MXF25CHC-2	115 V/60 Hz	108 (3,81)	R600a	47 (103,6)	1/9 (89)	5-15 P
MXF32CHC-3	115 V/60 Hz	138 (4,87)	R290a	52 (114,6)	1/7 (118)	5-15 P
MXF40CHC-4	115 V/60 Hz	190 (6,71)	R290a	59 (130,1)	1/5 (150)	5-15 P
MXF48CHC-5	115 V/60 Hz	244 (8,62)	R290a	69 (152,1)	1/4 (186)	5-15 P
MXF54CHC-6	115 V/60 Hz	282 (9,96)	R290a	75 (165,4)	1/4 (186)	5-15 P
MXF64CHC-7	115 V/60 Hz	350 (12,36)	R290a	85 (187,4)	1/4+ (232)	5-15 P
MXF72CHC-8	115 V/60 Hz	405 (14,30)	R290a	105 (231,5)	1/2 (340)	5-15 P

# DIMENSIONS EXTÉRIEURES ET INTÉRIEURES :

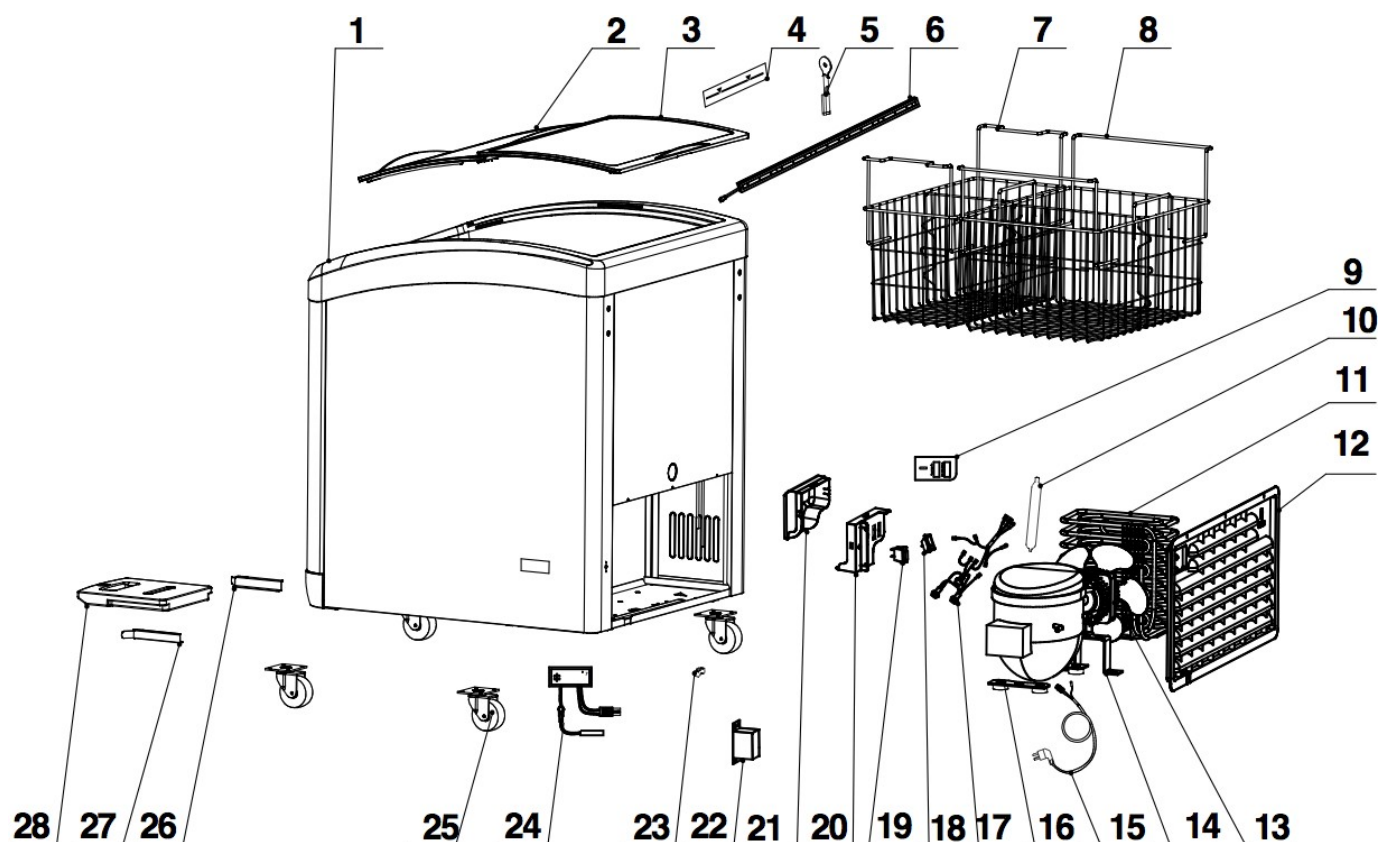
## MXF25CHC-2



MODÈLE	DIMENSIONS EXTERNES				DIMENSIONS INTERNES				
	A	B	C	D	E	F	G	H	I
MXF25CHC-2	625 mm 24,6 po	700 mm 27,6 po	828 mm 32,6 po	76,2 cm 3 po	470 mm 18,5 po	550 mm 21,7 po	480 mm 18,9 po	220 mm 8,7 po	246 mm 9,7 po
MXF32CHC-3	800 mm 31,5 po	698 mm 27,5 po	850 mm 33,5 po	76,2 cm 3 po	655 mm 25,8 po	530 mm 20,9 po	498 mm 19,6 po	260 mm 10,2 po	249 mm 9,8 po
MXF40CHC-4	1 000 mm 39,4 po	698 mm 27,5 po	850 mm 33,5 po	76,2 cm 3 po	856 mm 33,7 po	530 mm 20,9 po	498 mm 19,6 po	260 mm 10,2 po	249 mm 9,8 po
MXF48CHC-5	1 204 mm 47,4 po	698 mm 27,5 po	850 mm 33,5 po	76,2 cm 3 po	1 060 mm 41,7 po	530 mm 20,9 po	498 mm 19,6 po	260 mm 10,2 po	249 mm 9,8 po
MXF54CHC-6	1 350 mm 53,2 po	698 mm 27,5 po	850 mm 33,5 po	76,2 cm 3 po	1 206 mm 47,5 po	530 mm 20,9 po	498 mm 19,6 po	260 mm 10,2 po	249 mm 9,8 po
MXF64CHC-7	1 610 mm 63,4 po	698 mm 27,5 po	850 mm 33,5 po	76,2 cm 3 po	1 466 mm 57,7 po	530 mm 20,9 po	498 mm 19,6 po	260 mm 10,2 po	249 mm 9,8 po
MXF72CHC-8	1 820 mm 71,7 po	698 mm 27,5 po	850 mm 33,5 po	76,2 cm 3 po	1 676 mm 66 po	530 mm 20,9 po	498 mm 19,6 po	260 mm 10,2 po	249 mm 9,8 po

# SCHÉMA DES PIÈCES :

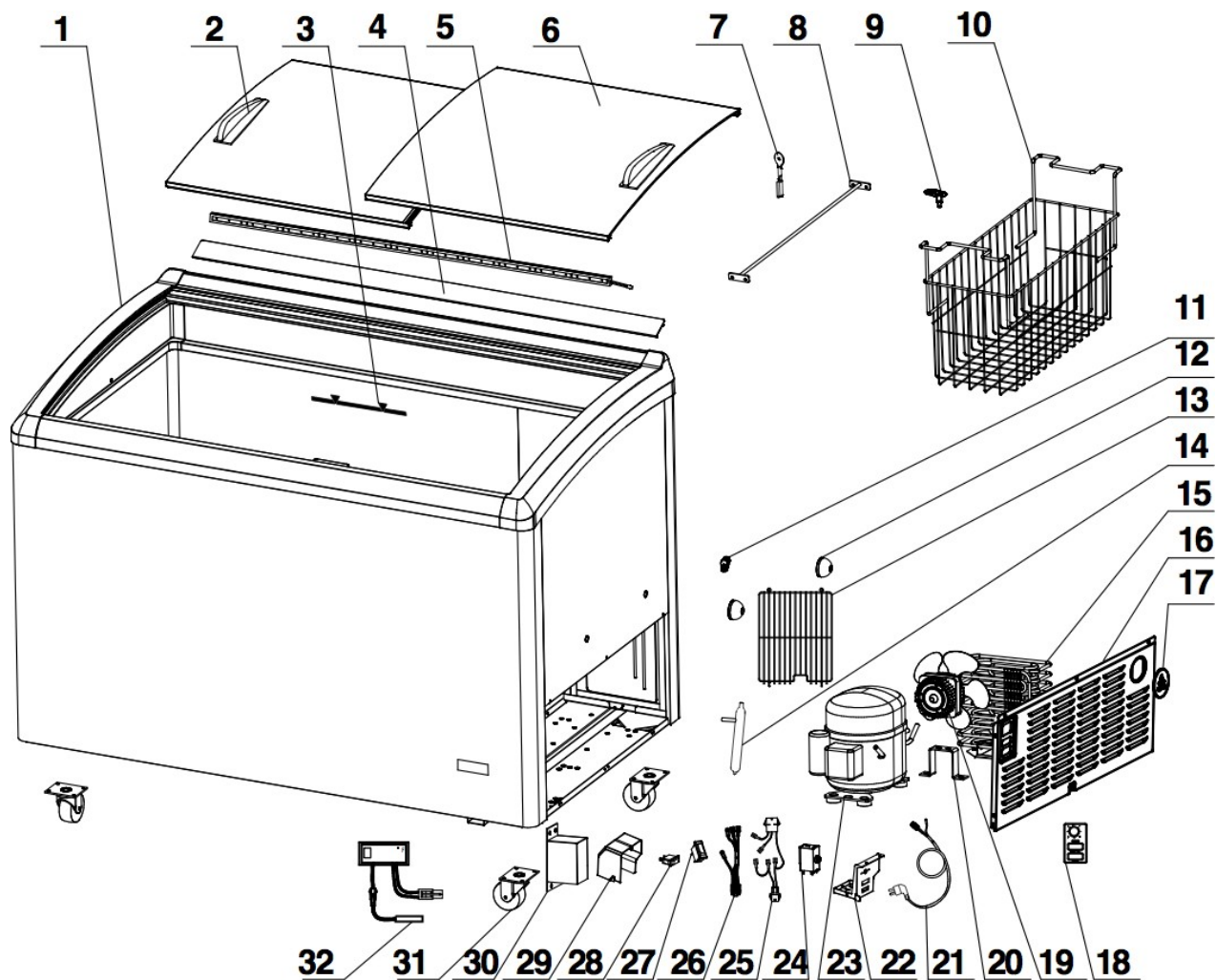
MXF25CHC-2



Numéro	Description	Numéro	Description
1	Armoire	15	Câble d'alimentation électrique
2	Porte en verre basse	16	Compresseur
3	Porte en verre haute	17	Fil de connexion du support de commande
4	Ligne de chargement max.	18	Interrupteur à DEL
5	Verrou	19	Voyant rouge
6	Éclairage à DEL	20	Support de commande
7	Petit panier	21	Couvercle du support de commande
8	Grand panier	22	Transformateur
9	Panneau de commande	23	Bloc de presse à deux orifices
10	Filtre sécheur	24	Thermomètre
11	Condenseur externe	25	Roulette
12	Capot	26	Rail gauche pour bac à eau
13	Ventilateur	27	Rail droit pour bac à eau
14	Support de ventilateur	28	Bac d'élimination d'eau

# SCHÉMA DES PIÈCES :

MXF32CHC-3 / MXF40CHC-4 / MXF48CHC-5 / MXF54CHC-6 / MXF64CHC-7 / MXF72CHC-8



Numéro	Description	Numéro	Description
1	Armoire	17	Douille de capot
2	Porte en verre basse	18	Panneau de commande
3	Ligne de chargement max.	19	Ventilateur
4	Affichage de prix	20	Support de ventilateur
5	Éclairage à DEL	21	Câble d'alimentation électrique
6	Porte en verre haute	22	Support de commande
7	Verrou	23	Compresseur
8	Tige de soutien (MXF72CHC-8 seulement)	24	Thermostat
9	Fiche	25	Connexion du support de commande
10	Panier	26	Raccordement du compresseur
11	Bloc de presse à deux orifices	27	Voyant vert
12	Amortisseur	28	Interrupteur à DEL
13	Capot arrière	29	Couvercle du support de commande
14	Filtre sécheur	30	Transformateur
15	Condenseur externe	31	Roulette
16	Capot latéral	32	Thermomètre

## DÉPANNAGE :

PROBLÈME	RAISON	SOLUTION
Décongélation /non congélation du produit	Le contrôle de la température est au point le plus élevé	Réglez la température
	La fiche et la prise ne sont pas bien raccordées	Raccordez la fiche à la prise de manière sécuritaire
	Fusible grillé ou disjoncteur déclenché	Remplacez le fusible/réinitialisez le disjoncteur
Le compresseur continue de fonctionner	Le contrôle de la température est au point le plus bas	Réglez le contrôle de la température
	Excès de produits stockés dans l'armoire	Réduisez la quantité
	Givre épais	Dégivrage
	Le couvercle est ouvert pendant de longues périodes. Le couvercle est ouvert trop fréquemment.	Réduisez la durée ou la fréquence d'ouverture du couvercle.
	Trop proche du mur	Repositionnez l'appareil à 10 cm du mur
	Près d'une source de grande chaleur ou au soleil	Déplacez l'appareil ou éliminez la source de chaleur
Bruit fort	Le sol n'est pas plat et l'appareil n'est donc pas de niveau et émet un bruit de vibration	Déplacez l'appareil à une surface plane.
	Les conduites de réfrigérant sont raccordées ou trop proches les unes des autres	Séparez les conduites de réfrigérant

**REMARQUE :** Si l'appareil continue d'avoir des problèmes et vous ne pouvez pas les résoudre conformément aux renseignements ou consignes de dépannage ci-dessus, veuillez communiquer avec un agent de service autorisé. Ne le faites pas vous-même, à moins d'être un technicien de réfrigération formé et accrédité.

## ENTRETIEN ET NETTOYAGE GÉNÉRAUX :

1. Pour économiser l'énergie, gardez la porte fermée le plus possible. N'ouvrez pas la porte fréquemment ou ne la laissez pas ouverte pendant de longues périodes. Ceci conservera l'énergie et maintiendra la qualité des aliments dans l'armoire.
2. Ne placez jamais d'articles lourds ou très chauds sur le congélateur, pour éviter d'endommager l'appareil.
3. COUPEZ l'alimentation électrique avant le nettoyage.
4. Pour nettoyer le congélateur, utilisez un linge doux avec un détergent doux et de l'eau très chaude.
5. Utilisez de l'eau chaude pour nettoyer le joint d'étanchéité magnétique, afin de maintenir son élasticité. Saupoudrez un peu de poudre de talc sur le joint d'étanchéité pour en prolonger la durée de vie. Si le joint d'étanchéité est endommagé, remplacez-le immédiatement.
6. Le congélateur ne doit pas rester non utilisé pendant une longue période. Pour arrêter d'utiliser le congélateur et l'entreposer, coupez tout d'abord l'alimentation électrique principale de manière sécuritaire, puis nettoyez l'intérieur et laissez la porte ouverte pendant 2 à 3 jours avec une boîte ouverte de bicarbonate de soude dans l'armoire. Assurez-vous que l'intérieur de l'armoire est sec avant de l'entreposer.
7. Pour recommencer à utiliser le congélateur, nettoyez l'armoire intérieure avec une solution désinfectante. Essuyez complètement avec un linge humide. Laissez l'appareil sécher à l'air en laissant la porte ouverte pendant 2 à 3 jours.

## NETTOYAGE DU CONDENSEUR (Renseignements de garantie pertinents)

- Les condenseurs accumulent la saleté et ont besoin d'être nettoyés tous les 30 jours.
- Les condenseurs sales entraînent la défaillance des compresseurs, la perte de produits et de ventes, non couverts par la garantie.
- Si vous gardez le condenseur propre, vous réduisez les frais de service et vos factures d'électricité.
- Le condenseur nécessite un nettoyage régulier tous les trente jours ou selon les besoins.
- L'air est attiré dans le condenseur de manière continue, ainsi que la poussière, les peluches, la graisse, etc.
- Un condenseur sale peut entraîner l'annulation de la garantie de l'appareil, ainsi qu'une défaillance du compresseur, la perte de produits et la perte de ventes de produits.
- Un nettoyage correct comprend l'élimination de la poussière du condenseur. En vous servant d'une brosse douce ou en passant un aspirateur avale-tout ou en utilisant du CO<sub>2</sub>, de l'azote ou de l'air sous pression.
- Si vous n'arrivez pas à bien éliminer la poussière, veuillez composer le numéro de notre service technique et nous vous dirigerons vers des entreprises locales.
- Sur la plupart des appareils, le condenseur est accessible au dos de l'appareil. Il se peut que vous ayez besoin de retirer la grille de l'armoire pour exposer le système de réfrigération et le réseau de conduites.
- Le condenseur ressemble à un groupe d'ailettes verticales. Vous devez pouvoir voir à travers le condenseur pour que l'appareil fonctionne à sa capacité maximale. Ne placez aucun matériau de filtre devant le serpentin de condensation. Ce matériau bloque le débit d'air vers le serpentin et agit comme si le serpentin était sale.

## **LE NETTOYAGE DU CONDENSEUR N'EST PAS COUVERT PAR LA GARANTIE!**

### **COMMENT NETTOYER LE CONDENSEUR :**

1. Coupez l'alimentation électrique à l'appareil.
2. Retirez la grille à persiennes.
3. Passez l'aspirateur ou brossez la saleté, les peluches ou les débris du serpentin du condenseur à ailettes.
4. Si vous avez une accumulation considérable de saleté, vous pouvez souffler sur le condenseur avec de l'air comprimé.

**REMARQUE : POUR ÉVITER LES BLESSURES AUX YEUX, NOUS RECOMMANDONS DES LUNETTES DE PROTECTION.**

5. Lorsque vous avez terminé, veillez à remettre la grille à persiennes en place. La grille protège le condenseur.
6. Rétablissez l'alimentation électrique à l'appareil.

Pour toute question, veuillez contacter notre service technique au 1 877 368-2797.

## **GARANTIE LIMITÉE**

Pour les détails de garantie, veuillez consulter :  
**www.MaximumFoodService.com** ou composez le **1 877 368-2797** ou visitez  
le site **Service@MaxxHelp.com**

**Une carte de garantie aurait dû être fournie avec votre appareil.**

Cependant, si la carte de garantie est manquante avec votre produit, veuillez envoyer les renseignements suivants à :

**Garantie et fiche technique de références :**  
**(créez une carte postale de taille standard à renvoyer)**

**Maximum Food Service**  
**WARRANTY CARD**  
**c/o Technical Services 3355**  
**Enterprise Avenue, Suite**  
**160 Fort Lauderdale,**  
**FL 33331**

Marque et numéro de modèle \_\_\_\_\_

Numéro de série \_\_\_\_\_

Date d'installation \_\_\_\_\_

Nom de l'installateur \_\_\_\_\_

ou  Branchement « Plug and Play »

Dégagement devant, sur le côté des et derrière les panneaux de refroidissement à persiennes pour le compartiment utilitaire?  
\_\_\_\_\_

Température du compartiment du congélateur \_\_\_\_\_

Type de conteneur dans le congélateur :  
\_\_\_\_\_ Nouveautés \_\_\_\_\_ Pots de 11,35 litres \_\_\_\_\_ Pots de 22,71 litres  
\_\_\_\_\_ Cartons rectangulaires de 11,35 litres \_\_\_\_\_ Cartons rectangulaires de 22,71 litres  
\_\_\_\_\_ Autre

Type de produit dans le congélateur :  
\_\_\_\_\_ Crème glacée \_\_\_\_\_ Gelato \_\_\_\_\_ Glace aux œufs  
\_\_\_\_\_ Yogourt glacé \_\_\_\_\_ Sorbet \_\_\_\_\_ Glace italienne  
\_\_\_\_\_ Popsicles \_\_\_\_\_ Sherbet \_\_\_\_\_ Autre

Les produits sont-ils empilés de façon à stocker des produits de secours dans le congélateur? \_\_\_\_\_ oui \_\_\_\_\_ non

Des supports de pots sont-ils utilisés? \_\_\_\_\_ oui \_\_\_\_\_ non Des bavettes de supports de pots sont-elles utilisées? \_\_\_\_\_ oui \_\_\_\_\_ non

Un pare-haleine est-il présent? \_\_\_\_\_ oui \_\_\_\_\_ non Les paniers sont-ils utilisés? \_\_\_\_\_ oui \_\_\_\_\_ non

Dégagement vertical du produit par rapport au couvercle du compartiment du congélateur? \_\_\_\_\_

Un puits à louche est-il présent pour cet appareil? \_\_\_\_\_ oui \_\_\_\_\_ non Si oui, débit d'eau \_\_\_\_\_ lpm.

Température ambiante de la pièce \_\_\_\_\_

\_\_\_\_\_ (VEUILLEZ AJOUTER VOS INITIALES) Le guide d'installation a été lu et compris.

Date \_\_\_\_\_

# TABLA DE CONTENIDO

SERVICIO TÉCNICO - INFORMACIÓN DE CONTACTO	PORTADA
PRECAUCIONES DE SEGURIDAD	22
CÓMO DESECHAR ADECUADAMENTE EL CONGELADOR PIEZAS DE REPUESTO	
CÓMO CONECTAR A LA ELECTRICIDAD	23-24
TRANSPORTE E INSTALACIÓN	
PANTALLA INDICADORA DE TEMPERATURA Y PANEL DE CONTROL	24
FUNCIÓN DE DESCONGELAR	25
INCIDENTES NORMALES ALMACENAJE DE ALIMENTOS DATOS TÉCNICOS	
DIMENSIONES INTERNAS Y EXTERNAS	26
DIGRAMAS DE PARTES Y PIEZAS	27-82
SOLUCIÓN DE PROBLEMAS	29-30
LIMPIEZA Y MANTENIMIENTO GENERAL CÓMO LIMPIAR EL CONDENSADOR	
INFORMACIÓN SOBRE LA GARANTÍA	31

## **PRECAUCIONES DE SEGURIDAD**

Al usar electrodomésticos deben seguirse las precauciones básicas de seguridad, incluyendo las siguientes:

- El equipo tiene que instalarse y ubicarse adecuadamente conforme a las instrucciones de instalación.
- No permitir que los niños suban al, se paren en o se metan dentro del equipo, ni que se cuelguen de él.
- No tocar con manos húmedas o mojadas las superficies frías en el compartimiento del congelador. La piel pudiera quedarse pegada a estas superficies extremadamente frías.
- No guardar ni usar gasolina u otros líquidos o vapores inflamables en las cercanías de este u otro electrodoméstico. No guardar en este electrodoméstico sustancias explosivas como botes o latas de aerosol con propulsor inflamable.
- Mantener los dedos alejados de las áreas de pellizco o pinchazo; los espacios libres entre las puertas y entre ellas y el gabinete son necesariamente pequeños; ser cuidado al cerrar las puertas cuando estén niños en el área.
- Desconectar el equipo antes de limpiarlo o efectuar reparaciones.

**NOTA: Recomendamos enfáticamente que todo servicio se preste por un técnico calificado.**



### **ADVERTENCIA**

- El fabricante tiene como política el mejoramiento continuo de nuestros productos y se reserva el derecho a cambiar materiales y especificaciones sin previo aviso. Para confirmar los parámetros específicos, favor de consultar aquellos que aparecen en la placa de denominación.
- El congelador requiere mantenimiento y limpieza periódicos. Dejar de brindar este cuidado anula la garantía del electrodoméstico.
- No puede esperarse rendimiento óptimo si la temperatura ambiente sobrepasa 84°F (29°C) y/o la humedad relativa está por encima del 60%.



### **RIESGO CON LOS REFRIGERANTES INFLAMABLES R290 Y R600**

- Riesgo de incendio o explosión. Para ser reparado sólo por personal de servicio capacitado.
- NO perforar la tubería del refrigerante.
- Consultar la guía del usuario/manual de reparaciones antes de intentar prestar servicio a este producto. Tienen que seguirse estrictamente todas las precauciones de seguridad.
- Deseche la propiedad de acuerdo a las regulaciones federales o locales.

## **CÓMO DESECHAR ADECUADAMENTE EL CONGELADOR**

En caso de estar deshaciéndose de su congelador viejo, favor de seguir como mínimo estas instrucciones:

*ANTES DE ARROJAR EL REFRIGERADOR O CONGELADOR VIEJO:*

- Hay que quitar las puertas.
- Dejar las repisas en su lugar para que así los niños no puedan meterse dentro con facilidad.

*CÓMO DESECHAR EL ELECTRODOMÉSTICO*

Al reciclar el electrodoméstico, favor de asegurar que los refrigerantes se manipulan de acuerdo con los códigos, requerimiento y regulaciones nacionales y locales.

*CÓMO DESECHAR EL REFRIGERANTE*

Asegurar que el refrigerante se elimine por un técnico de servicio calificado para desecharlo apropiadamente. Dejar libre intencionalmente cualquier refrigerante puede acarrear desde multas hasta cárcel en virtud de las disposiciones reglamentarias medioambientales.

## **PIEZAS DE REPUESTO**

- Las partes y piezas componentes se repondrán con sus similares. Para mejores resultados, usar siempre las piezas y partes suministradas/autorizadas por el fabricante.
- Los servicios se prestarán por el personal correspondiente autorizado, a fin de minimizar el riesgo de daño ulterior debido a piezas de repuesto inapropiadas o servicio inadecuado.
- Si el cordón eléctrico de alimentación está dañado, tiene que reemplazarse por otro cordón o conjunto especial de que disponga el fabricante o su agente de servicios aprobado / autorizado.



## ADVERTENCIA

### **CÓMO CONECTAR A LA ELECTRICIDAD**

NO CORTAR NI QUITAR DEL CORDÓN ELÉCTRICO, EN NINGUNA CIRCUNSTANCIA, LA ESPIGA DE CONEXIÓN A TIERRA. POR RAZÓN DE SEGURIDAD PERSONAL, ESTE ELECTrodomÉSTICO TIENE QUE ESTAR BIEN CONECTADO A TIERRA.

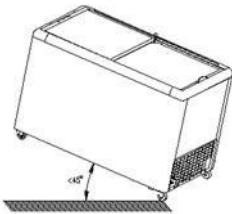
- El cable eléctrico de alimentación de este electrodoméstico tiene un enchufe con conexión a tierra que minimiza el peligro de posible descarga eléctrica.
- Acudir a un electricista calificado para verificar el circuito y tomacorriente de pared al efecto de asegurar que hay buena conexión a tierra.
- Es responsabilidad y obligación personal del usuario reemplazar el tomacorriente de pared si no tiene la debida conexión a tierra.
- El refrigerador tiene que enchufarse siempre en circuito eléctrico exclusivo para él, con voltaje nominal que coincida con aquel indicado en la placa de características del equipo. Esto propicia el mejor rendimiento y así mismo previene contra la sobrecarga de circuitos de cableado, que pudiera provocar peligro de incendio por cables sobrecalentados, desactivar un disyuntor o fundir un fusible de protección.
- Nunca desenchufar el equipo tirando del cable eléctrico de alimentación. Agarrar siempre el enchufe mismo con firmeza y sacarlo directamente del tomacorriente.
- Reparar o reponer de inmediato todos los cables de alimentación que estén raídos o dañados de otro modo.
- No usar un cable que muestre grietas o daños por abrasión a lo largo en sus extremos.
- Al alejar el equipo de la pared hay que tener cuidado para no pasar por encima ni dañar el cable eléctrico de alimentación. Si este resulta dañado debe ser reemplazado con el repuesto original previsto por el fabricante. Para evitar peligros, esto debe hacerse por un técnico de servicios calificado.
- No enchufar el cable eléctrico de alimentación en otro de extensión. Esto puede generar peligro de incendio o corto circuito.



## ADVERTENCIA

Las garantías del compresor se anulan si este se funde debido a bajo voltaje.  
 La conexión a tierra del cable eléctrico de alimentación no debe eliminarse.  
 No usar electrodomésticos dentro de los compartimientos de este equipo.

### **TRANSPORTE E INSTALACIÓN**



1. Al transportar el congelador, el ángulo entre la carcasa del compartimiento y el suelo no debe pasar de 45° y el congelador no debe colocarse jamás invertido.
  2. No usar ninguna de las partes o piezas externas como puntos de carga, por ejemplo, el condensador en la parte posterior, la puerta o la bisagra.
  3. Al instalar o usar el congelador, todo el empaque (incluso tablas y plástico de espuma) debe desecharse adecuadamente. Por favor, reciclar siempre que sea posible.
  4. Mantener el congelador estable y nivelado para evitar vibración y ruido.
5. El congelador debe instalarse en lugar con buena ventilación y dejando un espacio libre de al menos 4" (10cm) entre las paredes circundantes y la pared del gabinete para la apropiada circulación del aire.
  6. Debe colocarse alejado de toda fuente de calor y nunca bajo incidencia directa de la luz solar a fin de prevenir el rendimiento menos eficiente debido a elevada temperatura ambiente.
  7. Instalar el congelador en lugar seco para prevenir que la carcasa del compartimiento se oxide, lo cual pudiera (1) afectar el aislante eléctrico, (2) propiciar el riesgo de contaminación e inseguridad de los alimentos, y (3) reducir la vida útil esperada del equipo.

#### PRECAUCIONES:

1. El congelador tiene que estar bien conectado a tierra para evitar peligro de descarga eléctrica.
2. En caso de cualquier daño a los cables eléctricos y/o el enchufe, favor de comunicarse con un electricista autorizado para reparar la conexión.
3. Si el voltaje es inestable, favor de proveer un adecuado regulador automático de voltaje y/o protección contra sobrecarga.
4. Dejar que el congelador alcance su temperatura operativa antes de cargarlo con productos.
5. El control de temperatura debe ajustarse conforme a aquella requerida, la cantidad/niveles de

alimentos (potes de helado y otros) y la temperatura ambiental y condiciones requeridas para que el producto almacenado conserve su calidad.

6. Antes de poner productos dentro del congelador, favor de ajustar el control de temperatura a su punto de configuración más bajo y dejar funcionando el equipo hasta que la temperatura del gabinete interior baje a 0°F (-18°C.) Una vez que la unidad alcance 0°F (-18°C), configurarla a la temperatura deseada y cargarla con productos. NOTA: Para instalaciones muy elevadas pudiera ser necesario "calentar" el gabinete a puntos de configuración más altos.
7. Desenchufar el equipo tirando del enchufe mismo del cable y NO del cable eléctrico.
8. Nunca poner alimentos calientes en el congelador. Poner productos dentro del congelador sólo después que hayan alcanzado su temperatura ideal de almacenaje. Algunos alimentos necesitarán colocarse dentro del refrigerador u otro congelador para enfriarlos por debajo de la temperatura ambiente antes de guardarlos en el congelador.
9. No sobrellenar la unidad. El artículo de más arriba debe quedar al menos a 4" (10cm) por debajo del borde de la cubierta superior. Debe dejarse espacio razonable entre las partidas de alimentos para mejor regulación de la temperatura.
10. En caso de corte de electricidad hay que esperar al menos 5 minutos antes de encender el congelador de nuevo para evitar daños al compresor.
11. No guardar nunca en el congelador ningún líquido ni gas corrosivo, explosivo o inflamable. Mantener estos bien alejados del equipo.
12. Ni cervezas, otras bebidas, flores frescas, medicinas o inyecciones no pueden ponerse dentro del congelador para enfriarlas ni para almacenarlas. Usar el congelador con ellas anula la garantía.
13. Si los artículos guardados no se pusieron bien sellados y con empaque de protección, entonces pudieran formarse cristales de hielo o afectarse la calidad del producto.

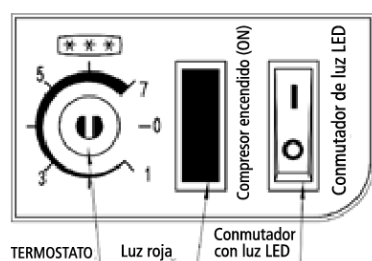
**NOTA:** Antes de cargar el congelador con productos recomendamos dejar que la unidad funcione vacía por dos o tres días. Esto permite cerciorarse que se procedió correctamente con el cableado eléctrico y la instalación, y que no sobrevino ningún daño durante el envío.

## LA GARANTÍA NO CUBRE LA PÉRDIDA DE ALIMENTOS

## PANTALLA INDICADORA DE TEMPERATURA:

El termómetro muestra la temperatura más alta del alimento congelado. Ha sido ajustado y diseñado de manera tal que sólo temperaturas por debajo de 32°F (0°C) se indican con exactitud.

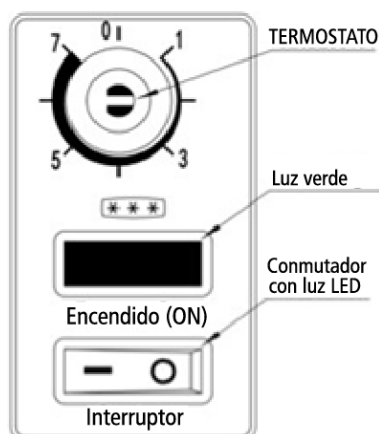
## LA FUNCIÓN DEL PANEL DE CONTROL:



Los números 1-7 en el control de temperatura reflejan la configuración correlativa de temperatura de alta a baja.

La temperatura específica no se muestra o indica por esta perilla.

Al girar la perilla hacia la derecha: la temperatura del gabinete DESCENDERÁ.  
Al girar la perilla hacia la izquierda, la temperatura del gabinete ASCENDERÁ.



MXF25CHC-2 (Imagen superior) - Cuando la luz roja está encendida (ON), el compresor está funcionando.

TODOS LOS DEMÁS MODELOS (Imagen inferior) - La luz verde indica conexión a la corriente eléctrica. Cuando la luz verde está encendida (ON), el equipo está conectado a una fuente de corriente eléctrica.

Luego de ajustarse la configuración de temperaturas y encenderse el equipo, tomará cierto tiempo, posiblemente varias horas, para que la unidad alcance la nueva configuración de temperatura.

## **DESCONGELACIÓN / SI SE ACUMULA HIELO EN LAS PAREDES INTERIORES:**

1. Descongelar la unidad cuando el grosor de la escarcha en la pared del gabinete alcanza 1/4" (6 mm) al efecto de optimizar la capacidad de congelación.
2. Pasar el control de temperatura al punto más bajo y mantenerlo por 5-6 horas antes de descongelar.
3. Cortar el suministro de corriente eléctrica y sacar los alimentos del congelador.
4. Usar agua tibia o un raspador plástico pudiera acelerar el tiempo de descongelación de la pared del gabinete.
5. Luego de descongelar hay que limpiar la pared con un paño seco. Activar el suministro de corriente eléctrica. Dejar que pase el tiempo necesario para que el gabinete alcance la temperatura de su punto de configuración. Y seguidamente cargar el gabinete con alimentos.

## **INCIDENTES NORMALES:**

1. Pudiera escucharse un sonido de flujo de agua cuando el refrigerante actúa.
2. Si la humedad ambiental es demasiado alta, sobrevendrá condensación en la superficie del congelador y la tapa.
3. Cuando la máquina está funcionando, el condensador y el compresor estarán calientes.

**NOTA:** No esperar rendimiento óptimo si la temperatura ambiental sobrepasa 84°F (29°C) o la humedad relativa del entorno local excede del 60%.

## **ALMACENAJE DE ALIMENTOS:**

El equipo es adecuado para guardar helados y alimentos congelados similares.

Los productos tienen que almacenarse por debajo de la marca de apilamiento en el interior del congelador.

(4" por debajo de la tapa deslizante)

LÍNEA DE CARGA

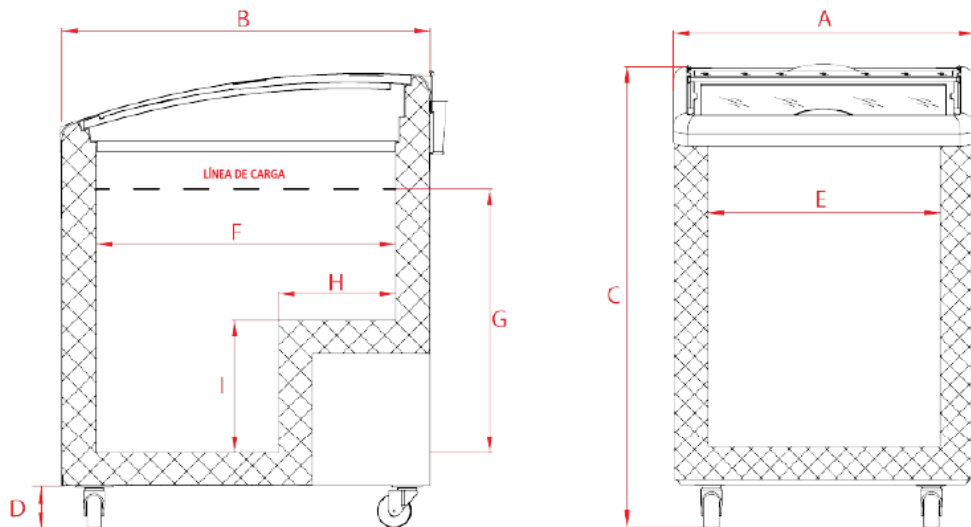


## **DATOS TÉCNICOS:**

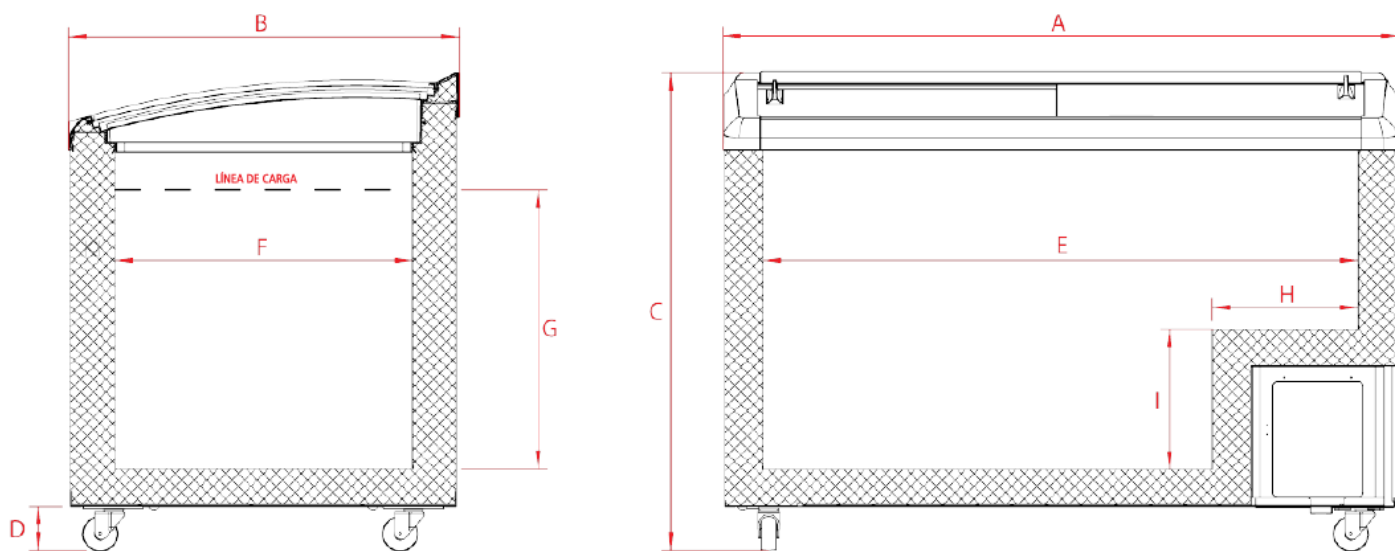
MODELO	CORRIENTE ELÉCTRICA	VOLUMEN NETO EN PIES CÚBICOS (L)	REFRIGERANTE	PESO NETO Lb (kg)	CABALLOS DE FUERZA HP (W)	ENCHUFE NEMA
MXF25CHC-2	115 V/60 Hz	3.81 (108)	R600a	103.6 (47)	1/9 (89)	5-15P
MXF32CHC-3	115 V/60 Hz	4.87 (138)	R290a	114.6 (52)	1/7 (118)	5-15P
MXF40CHC-4	115 V/60 Hz	6.71 (190)	R290a	130.1 (59)	1/5 (150)	5-15P
MXF48CHC-5	115 V/60 Hz	8.62 (244)	R290a	152.1 (69)	1/4 (186)	5-15P
MXF54CHC-6	115 V/60 Hz	9.96 (282)	R290a	165.4 (75)	1/4 (186)	5-15P
MXF64CHC-7	115 V/60 Hz	12.36 (350)	R290a	187.4 (85)	1/4+ (232)	5-15P
MXF72CHC-8	115 V/60 Hz	14.30 (405)	R290a	231.5 (105)	1/2 (340)	5-15P

## DIMENSIONES EXTERIORES E INTERIORES:

### MXF25CHC-2



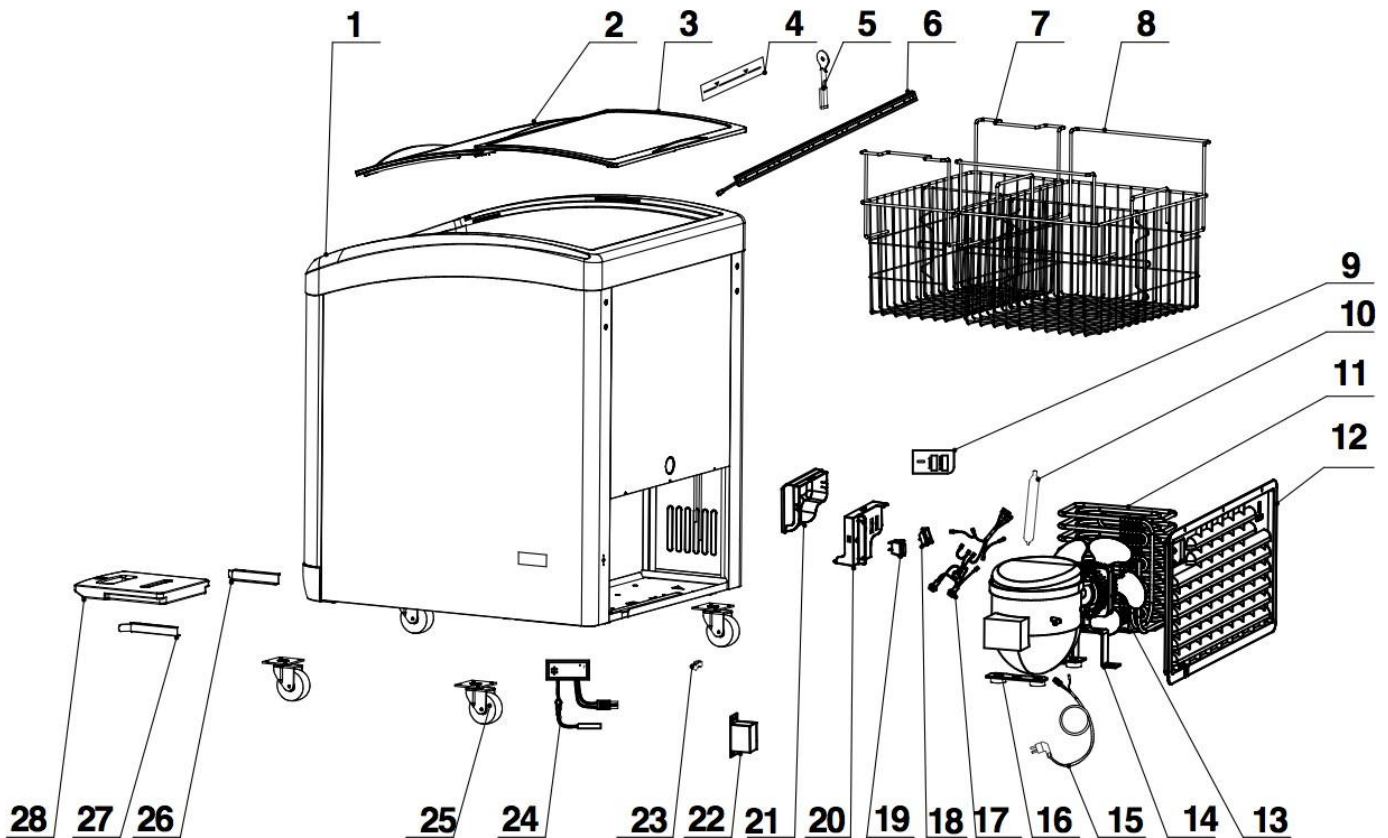
### MXF32CHC-3 / MXF40CHC-4 / MXF48CHC-5 / MXF54CHC-6 / MXF64CHC-7 / MXF72CHC-8



MODELO	DIMENSIONES EXTERIORES				DIMENSIONES INTERIORES				
	A	B	C	D	E	F	G	H	I
MXF25CHC-2	24.6 plg 625 mm	27.6 plg 700 mm	32.6 plg 828 mm	3 plg 76.2 mm	18.5 plg 470 mm	21.7 plg 550 mm	18.9 plg 480 mm	8.7 plg 220 mm	9.7 plg 245
MXF32CHC-3	31.5 plg 800 mm	27.5 plg 697 mm	33.5 plg 850 mm	3 plg 76.2 mm	25.8 plg 656 mm	20.9 plg 530 mm	19.6 plg 498 mm	10.2 plg 260 mm	9.8 plg 250 mm
MXF40CHC-4	39.4 plg 1000 mm	27.5 plg 697 mm	33.5 plg 850 mm	3 plg 76.2 mm	33.7 plg 856 mm	20.9 plg 530 mm	19.6 plg 498 mm	10.2 plg 260 mm	9.8 plg 250 mm
MXF48CHC-5	47.4 plg 1204 mm	27.5 plg 697 mm	33.5 plg 850 mm	3 plg 76.2 mm	41.7 plg 1060 mm	20.9 plg 530 mm	19.6 plg 498 mm	10.2 plg 260 mm	9.8 plg 250 mm
MXF54CHC-6	53.2 plg 1350 mm	27.5 plg 697 mm	33.5 plg 850 mm	3 plg 76.2 mm	47.5 1 206 mm	20.9 plg 530 mm	19.6 plg 498 mm	10.2 plg 260 mm	9.8 plg 250 mm
MXF64CHC-7	63.4 plg 1610 mm	27.5 plg 697 mm	33.5 plg 850 mm	3 plg 76.2 mm	57.7 plg 1466 mm	20.9 plg 530 mm	19.6 plg 498 mm	10.2 plg 260 mm	9.8 plg 250 mm
MXF72CHC-8	71.7 1 820 mm	27.5 plg 697 mm	33.5 plg 850 mm	3 plg 76.2 mm	66 plg 1 676 mm	20.9 plg 530 mm	19.6 plg 498 mm	10.2 plg 260 mm	9.8 plg 250 mm

# DIAGRAMA DE PARTES Y PIEZAS:

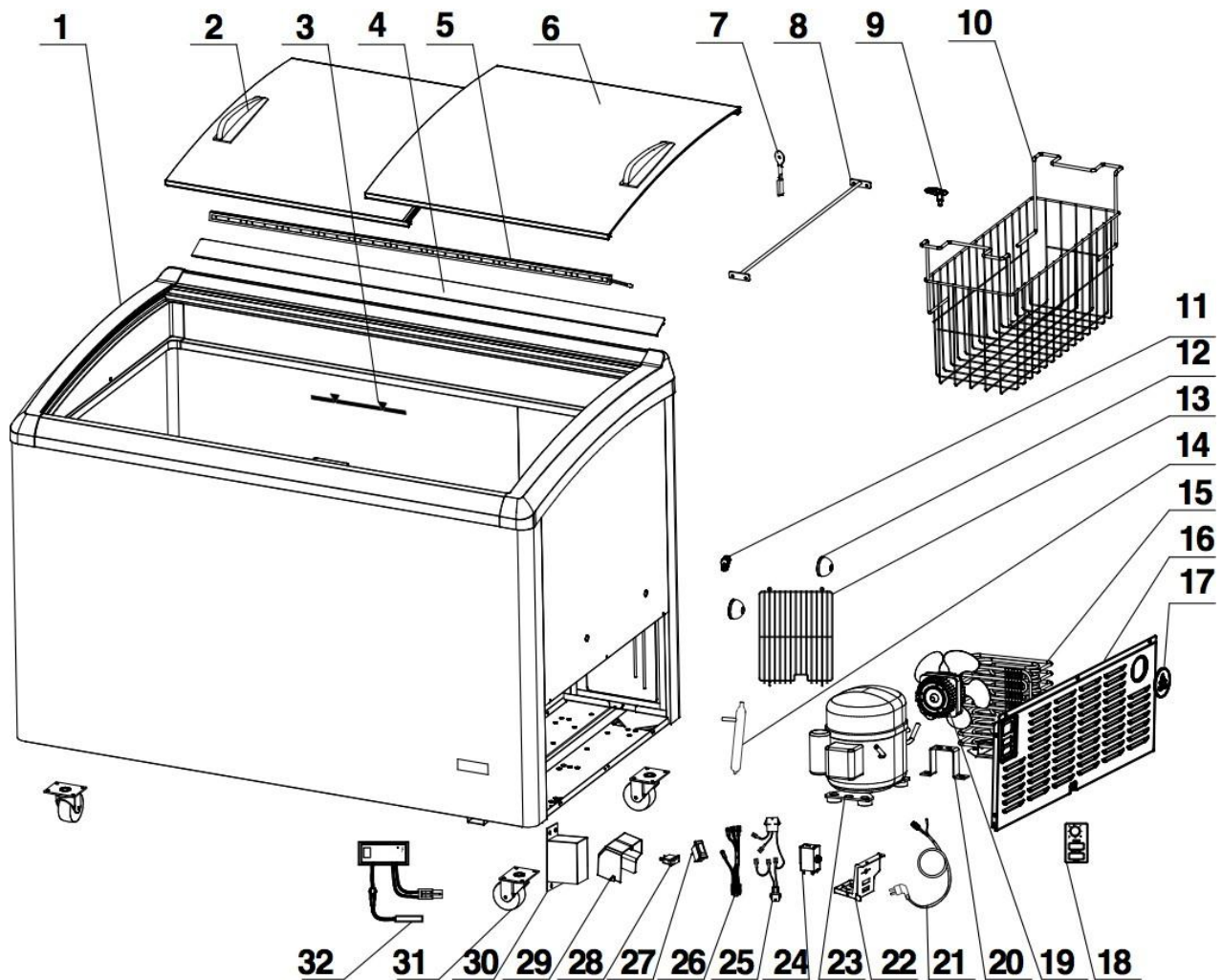
MXF25CHC-2



Número	Descripción	Número	Descripción
1	Gabinete	15	Cable eléctrico de alimentación
2	Puerta de vidrio inferior	16	Compresor
3	Puerta de vidrio superior	17	Cable de conexión del soporte del control
4	Línea de carga máxima	18	Conmutador con luz LED
5	Cierre	19	Luz roja
6	Luz LED	20	Soporte del control
7	Cesta más pequeña	21	Cubierta del soporte del control
8	Cesta más grande	22	Transformador
9	Panel de control	23	Bloque de presión con doble orificio
10	Secador de filtro	24	Termómetro
11	Condensador externo	25	Rueda
12	Cubierta	26	Riel izquierdo para el contenedor del agua
13	Ventilador	27	Riel derecho para el contenedor del agua
14	Soporte del ventilador	28	Contenedor para eliminar agua

## DIAGRAMA DE PARTES Y PIEZAS:

MXF32CHC-3 / MXF40CHC-4 / MXF48CHC-5 / MXF54CHC-6 / MXF64CHC-7 / MXF72CHC-8



Número	Descripción	Número	Descripción
1	Gabinete	17	Socket de protección
2	Puerta de vidrio inferior	18	Panel de control
3	Línea de carga máxima	19	Ventilador
4	Pantalla de precios	20	Soporte del ventilador
5	Luz LED	21	Cable eléctrico de alimentación
6	Puerta de vidrio superior	22	Soporte del control
7	Cierre	23	Compresor
8	Varilla de soporte (sólo MXF72CHC-8)	24	TERMOSTATO
9	Enchufe	25	Conexión al soporte del control
10	Cesta	26	Conexión al compresor
11	Bloque de presión con doble orificio	27	Luz verde
12	Amortiguador de golpes	28	Conmutador con luz LED
13	Cubierta de la parte posterior	29	Cubierta del soporte del control
14	Secador de filtro	30	Transformador
15	Condensador externo	31	Rueda
16	Cubierta lateral	32	Termómetro

## SOLUCIÓN DE PROBLEMAS:

PROBLEMA	MOTIVO	SOLUCIÓN
Descongelación del producto / no descongela	El control de temperatura está en su punto más alto	Ajustar la temperatura.
	Enchufe y tomacorriente mal conectados	Conectar con seguridad el enchufe al tomacorriente
	Fusible fundido o disyuntor desactivado	Cambiar el fusible / Volver a activar el disyuntor
El compresor continúa funcionando	El control de temperatura está en su punto más bajo	Ajustar el control de temperatura
	Demasiado producto almacenado en el gabinete	Reducir la cantidad
	Escarcha gruesa	Descongelación
	La tapa se queda abierta por largo tiempo. La tapa se abre con mucha frecuencia.	Reducir el tiempo en que o la frecuencia con que la tapa queda abierta.
	Demasiado cerca de la pared	Reubicar la unidad a 4" de la pared
	Cerca de una fuente de calor o al sol	Cambiar la ubicación de la unidad o retirar la fuente de calor
Ruido intenso	El piso no está plano, la unidad no queda bien nivelada y produce ruido de vibración	Cambiar la ubicación de la unidad a una superficie plana
	Las líneas de refrigerante están conectadas o demasiado juntas	Separar las líneas de refrigerante

**NOTA:** Si la unidad continúa afrontando problemas que no pueden resolverse conforme a la información o pautas ofrecidas más arriba sobre solución de problemas, favor de comunicarse con un agente de servicio autorizado. No proceder por sí mismo a menos que sea un técnico en refrigeración capacitado y con licencia.

## LIMPIEZA Y MANTENIMIENTO GENERAL:

1. Para ahorrar energía, mantener la puerta cerrada tanto como sea posible. No abrir la puerta con frecuencia ni dejarla abierta por tiempo prolongado. Esto conservará energía y preservará la calidad de los productos en el gabinete.
2. Nunca colocar objetos pesados o caliente sobre el congelador para evitar así daños al equipo.
3. Apagar (OFF) el equipo antes de limpiarlo.
4. Para limpiar el congelador, usar un paño suave con detergente de igual condición y agua caliente.
5. Usar agua tibia para limpiar la junta magnética al efecto de mantener su elasticidad. Aplicar un poco de talco para extender la vida útil en servicio. Si la junta se daña, reponerla de inmediato.
6. El congelador no debe dejarse sin usar por largo tiempo. Para dejar de usar el congelador y guardarlo hay que desconectarlo primero con toda seguridad de la fuente de corriente eléctrica y enseguida limpiar el interior; la puerta se deja abierta por 2-3 días con una caja abierta de bicarbonato de sodio en el gabinete. Asegurar que el interior del gabinete quede bien seco antes de guardar la unidad.
7. Para reiniciar el uso del congelador, limpiar el gabinete interior con una solución desinfectante. Pasar bien y a fondo un paño húmedo. Dejar que la unidad se seque al aire, dejando la puerta abierta por 2-3 días.

## CÓMO LIMPIAR EL CONDENSADOR (Información de Garantía relacionada)

- Los condensadores acumulan suciedad y requieren limpiarse cada 30 días.
- Los condensadores sucios provocan fallas del compresor, pérdida de productos y pérdidas de ventas, las cuales no están cubiertas por la garantía.
- De mantenerse el condensador limpio, los gastos en servicios se minimizarán y bajarán los costos por electricidad.
- El condensador requiere limpieza bien programada cada treinta días o siempre que sea necesario.
- El aire se extrae continuamente a través del condensador junto con polvo, pelusas, grasa y otras suciedades.
- Un condensador sucio puede dar lugar a la anulación de la cobertura de garantía de la unidad, así como a fallas del compresor, pérdida de productos y pérdidas de ventas.
- La limpieza adecuada incluye eliminar el polvo del condensador. Puede usarse un cepillo suave o una aspiradora de taller, o usar CO<sub>2</sub>, nitrógeno o aire a presión.
- Si no se puede eliminar adecuadamente la suciedad, favor de llamar el número de servicio técnico para referir el caso a compañías locales.
- En casi todas la unidades, el acceso al condensador es por la parte posterior. Pudiera ser necesario quitar la rejilla del gabinete para exponer el sistema de refrigeración y la red de tuberías.
- El condensador semeja un grupo de aletas verticales. Es necesario poder ver a través del condensador para que la unidad funcione al máximo de capacidad. No colocar material de filtro enfrente del serpentín de condensación. Este material bloquea el flujo de aire hacia el serpentín y esto equivale a tenerlo sucio.

## **LA LIMPIEZA DEL CONDENSADOR NO ESTÁ CUBIERTA POR LA GARANTÍA**

### **CÓMO LIMPIAR EL CONDENSADOR:**

1. Desconectar la unidad de la fuente de corriente eléctrica.
2. Retirar la rejilla.
3. Pasar aspiradora o cepillar para eliminar la suciedad, pelusas o desechos del serpentín aleteado del condensador.
4. En caso de acumulación significativa de suciedad, puede limpiarse el condensador con aire comprimido.

**NOTA: PARA EVITAR LESIONES EN LOS OJOS SE RECOMIENDA USAR EL EQUIPO DE PROTECCIÓN ADECUADO.**

5. Al finalizar hay que asegurarse de volver a colocar la rejilla en su lugar. La rejilla protege el condensador.
6. Volver a conectar la unidad a la corriente eléctrica.

En caso de preguntas o dudas, favor de llamar a nuestro Departamento de Servicio Técnico: 1-877-368-2797.

# **GARANTÍA LIMITADA**

Para detalles de la garantía, consultar por favor:  
**www.MaxximumFoodService.com o 1-877-368-2797 o Service@MaxxHelp.com**

**Una tarjeta de garantía debe haber sido incluida con su electrodoméstico.**

Sin embargo, si la tarjeta de garantía no vino con su producto, favor de enviar la siguiente información:

**Hoja de datos de referencia y garantía:  
(hacer una copia de retorno del tamaño de  
una tarjeta postal estándar)**

**Maxximum Food Service  
- TARJETA DE  
GARANTÍA  
C/O Technical Services  
3355 Enterprise Avenue,  
Suite 160 Fort Lauderdale,  
FL 33331**

Marca y Número de Modelo \_\_\_\_\_

Número de Serie \_\_\_\_\_

Fecha de instalación \_\_\_\_\_

Nombre del instalador \_\_\_\_\_

Conexiones eléctricas "Plug and Play"

¿Se usan los espacios libres al frente, al lado y detrás de los paneles de enfriamiento con rejilla para comportamiento de uso general?

---

Temperatura del compartimiento del congelador

Tipo de contenedor en el congelador: \_\_\_\_\_ Productos novedosos \_\_\_\_\_ Tinas de 3 galones \_\_\_\_\_ Tinas de 6 galones  
\_\_\_\_\_ Cajas rectangulares de 3 galones \_\_\_\_\_ Cajas rectangulares de 6 galones  
\_\_\_\_\_ Otros

Tipos de productos en el congelador: \_\_\_\_\_ Helado \_\_\_\_\_ Gelato \_\_\_\_\_ Natillas congeladas  
\_\_\_\_\_ Yogur congelado \_\_\_\_\_ Sorbetes \_\_\_\_\_ Helado italiano  
\_\_\_\_\_ Paletitas de helado \_\_\_\_\_ Sorbete \_\_\_\_\_ Otros

¿Están los productos apilados para almacenar reservas en el congelador? \_\_\_\_\_ sí \_\_\_\_\_ no

¿Se usan ? \_\_\_\_\_ sí \_\_\_\_\_ no      ¿Se utilizan tarimas para soportes de tina? \_\_\_\_\_ sí \_\_\_\_\_ no

¿Hay protector sanitario? \_\_\_\_\_ sí \_\_\_\_\_ no      ¿Se usan cestas? \_\_\_\_\_ sí \_\_\_\_\_ no

¿ Hay espacio libre entre productos apilados en vertical y la tapa del compartimiento del congelador \_\_\_\_\_

¿Dispone la unidad de fregadero para utensilios? \_\_\_\_\_ sí \_\_\_\_\_ no      De ser así, indique el flujo de agua \_\_\_\_\_ en gpm.

Temperatura ambiental \_\_\_\_\_

\_\_\_\_\_ (POR FAVOR, INICIALES) El manual de instalación ha sido leído y comprendido.

Fecha \_\_\_\_\_





**MAXX COLD**  
*X-series*

Maximum Food Service • 3355 Enterprise Avenue, Suite 160, Weston, FL 33331 USA

Phone: (954) 202-7419 • Website: [MaximumFoodService.com](http://MaximumFoodService.com)