

OPERATOR'S MANUAL
**BED REDEFINER
ATTACHMENT**

MODEL NUMBER BRA0820/BRA0820-FC

Français p. 33

Español p. 67

⚠ WARNING: To reduce the risk of injury, the user must read and understand the Operator's Manual before using this product. Save these instructions for future reference.

READ ALL INSTRUCTIONS!



READ & UNDERSTAND
OPERATOR'S MANUAL

TABLE OF CONTENTS


| | |
|---|-------|
| Safety Symbols | 3 |
| General Safety Instructions | 4-7 |
| Safety Instructions for Bed Redefiner | 7-9 |
| Symbols | 10-11 |
| Introduction | 12 |
| Specifications | 13 |
| Description | 14-15 |
| Assembly | 16-18 |
| Operation | 19-22 |
| Maintenance | 23-28 |
| Troubleshooting | 29 |
| EGO Limited Warranty | 30-31 |

SAFETY SYMBOLS

The purpose of safety symbols is to attract your attention to possible dangers. The safety symbols and the explanations with them deserve your careful attention and understanding. The symbol warnings do not, by themselves, eliminate any danger. The instructions and warnings they give are no substitutes for proper accident prevention measures.

⚠ WARNING Be sure to read and understand all safety instructions in this Operator’s Manual, including all safety alert symbols such as “**DANGER**”, “**WARNING**”, and “**CAUTION**” before using this machine. Failure to follow all instructions listed below may result in electric shock, fire, and/or serious personal injury.

The definitions below describe the level of severity for each signal word. Please read the manual and pay attention to these symbols.

| | |
|---|--|
|  | This is the safety alert symbol. It is used to alert you to potential personal injury hazards. Obey all safety messages that follow this symbol to avoid possible injury or death. |
| ⚠ DANGER | DANGER indicates a hazardous situation which, if not avoided, will result in death or serious injury. |
| ⚠ WARNING | WARNING indicates a hazardous situation which, if not avoided, could result in death or serious injury. |
| ⚠ CAUTION | CAUTION, used with the safety alert symbol, indicates a hazardous situation which, if not avoided, will result in minor or moderate injury. |

DAMAGE PREVENTION AND INFORMATION MESSAGES

These inform the user of important information and/or instructions that could lead to equipment or other property damage if they are not followed. Each message is preceded by the word “NOTICE”, as in the example below:

NOTICE Equipment and/or property damage may result if these instructions are not followed.

GENERAL SAFETY INSTRUCTIONS

⚠ WARNING Read all safety warnings, instructions, illustrations, and specifications provided with this machine. Failure to follow all instructions listed below may result in electric shock, fire, and/or serious injury.

Save all warnings and instructions for future reference.

The term “machine” in the warnings refers to your mains-operated (corded) machine or battery-operated (cordless) machine.

WORK AREA SAFETY

- **Keep work area clean and well lit.** Cluttered or dark areas invite accidents.
- **Do not operate machines in explosive atmospheres, such as in the presence of flammable liquids, gases, or dust.** Machines create sparks which may ignite the dust or fumes.
- **Keep children and bystanders away while operating a machine.** Distractions can cause you to lose control.

ELECTRICAL SAFETY

- **Machine plugs must match the outlet. Never modify the plug in any way. Do not use any adapter plugs with earthed (grounded) machines.** Unmodified plugs and matching outlets will reduce risk of electric shock.
- **Avoid body contact with earthed or grounded surfaces, such as pipes, radiators, ranges, and refrigerators.** There is an increased risk of electric shock if your body is earthed or grounded.
- **Do not operate the machine in rain or wet conditions.** Water entering the machine may increase the risk of electric shock or malfunction that could result in personal injury.
- **Do not abuse the cord. Never use the cord for carrying, pulling, or unplugging the machine. Keep cord away from heat, oil, sharp edges, or moving parts.** Damaged or entangled cords increase the risk of electric shock.
- **When operating a machine outdoors, use an extension cord suitable for outdoor use.** Use of a cord suitable for outdoor use reduces the risk of electric shock.

- **If operating a machine in a damp location is unavoidable, use a ground fault circuit interrupter (GFCI) protected supply.** Use of a GFCI reduces the risk of electric shock.

PERSONAL SAFETY

- **Stay alert, watch what you are doing and use common sense when operating a machine. Do not use a machine while you are tired or under the influence of drugs, alcohol, or medication.** A moment of inattention while operating machines may result in serious personal injury.
- **Use personal protective equipment.** Always wear eye protection. Protective equipment such as a dust mask, non-skid safety shoes, hard hat, or hearing protection used for appropriate conditions will reduce personal injuries.
- **Prevent unintentional starting. Ensure the switch is in the off-position before connecting to the power source and/or the battery pack, picking up, or carrying the machine.** Carrying machines with your finger on the switch or energizing machines that have the switch on invites accidents.
- **Remove any adjusting key or wrench before turning the machine on.** A wrench or a key left attached to a moving part of the machine may result in personal injury.
- **Do not overreach. Keep proper footing and balance at all times.** This enables better control of the machine in unexpected situations.
- **Dress properly. Do not wear loose clothing or jewelry. Keep your hair and clothing away from moving parts.** Loose clothes, jewelry, or long hair can be caught in moving parts.
- **If devices are provided for the connection of dust extraction and collection facilities, ensure these are connected and properly used.** Use of dust devices can reduce dust-related hazards.
- **Do not let familiarity gained from frequent use of machines allow you to become complacent and ignore machine safety principles.** A careless action can cause severe injury within a fraction of a second.

MACHINE USE AND CARE

- **Do not force the machine. Use the correct power machine for your application.** The correct machine will do the job better and safer at the rate for which it was designed.

- **Do not use the machine if the switch does not turn it on and off.** Any machine that cannot be controlled with the switch is dangerous and must be repaired.
- **Disconnect the plug from the power source and/or remove the battery pack, if detachable, from the machine before making any adjustments, changing accessories, or storing machines.** Such preventive safety measures reduce the risk of starting the machine accidentally.
- **Store idle machines out of the reach of children and do not allow persons unfamiliar with the machine or these instructions to operate the machine.** machines are dangerous in the hands of untrained users.
- **Maintain machines and accessories. Check for misalignment or binding of moving parts, breakage of parts, and any other condition that may affect the machine's operation. If damaged, have the machine repaired before use.** Many accidents are caused by poorly maintained machines and accessories.
- **Keep cutting machines sharp and clean.** Properly maintained cutting machines with sharp cutting edges are less likely to bind and are easier to control.
- **Use the power machine, accessories, machine bits, etc. in accordance with these instructions, taking into account the working conditions and the work to be performed.** Use of the machine for operations different from those intended could result in a hazardous situation.
- **Keep handles and grasping surfaces dry, clean, and free from oil and grease.** Slippery handles and grasping surfaces do not allow for safe handling and control of the machine in unexpected situations.

BATTERY MACHINE USE AND CARE

- **Recharge only with the charger specified by the manufacturer.** A charger that is suitable for one type of battery pack may create a risk of fire when used with another battery pack.
- **Use machines only with specifically designated battery packs.** Use of any other battery packs may create a risk of injury and fire.
- **When battery pack is not in use, keep it away from other metal objects, like paper clips, coins, keys, nails, screws, or other small metal objects, that can make a connection from one terminal to another.** Shorting the battery terminals together may cause burns or a fire.
- **Under abusive conditions, liquid may be ejected from the battery; avoid contact. If contact accidentally occurs, flush with water. If liquid contacts eyes, additionally seek medical help.** Liquid ejected from the battery may cause irritation or burns.

- **Do not use a battery pack or machine that is damaged or modified.** Damaged or modified batteries may exhibit unpredictable behavior resulting in fire, explosion or risk of injury.
- **Do not expose a battery pack or machine to fire or excessive temperature.** Exposure to fire or temperature above 265 °F (130 °C) may cause explosion.
- **Follow all charging instructions and do not charge the battery pack or machine outside the temperature range specified in the instructions.** Charging improperly or at temperatures outside the specified range may damage the battery and increase the risk of fire.

SERVICE

- **Have your machine serviced by a qualified repair person using only identical replacement parts.** This will ensure that the safety of the machine is maintained.
- **Never service damaged battery packs.** Service of battery packs should only be performed by the manufacturer or authorized service providers.

SAFETY INSTRUCTIONS FOR BED REDEFINER

- **Do not use the machine in bad weather conditions, especially when there is a risk of lightning.** This decreases the risk of being struck by lightning.
- **Thoroughly inspect the area for wildlife where the machine is to be used.** Wildlife may be injured by the machine during operation.
- **Thoroughly inspect the area where the machine is to be used and remove all stones, sticks, wires, bones, and other foreign objects.** Thrown objects can cause personal injury.
- **Before using the machine, always visually inspect to see that the cutter, blade, and/or blade assembly are not damaged.** Damaged parts increase the risk of injury.
- **Follow instructions for changing accessories.** Improperly tightened blade securing nuts or bolts may either damage the blade or result in it becoming detached.
- **Wear eye, ear, head, and hand protection.** Adequate protective equipment will reduce personal injury by flying debris or accidental contact with the cutting line or blade.

- **While operating the machine, always wear safety footwear.** Do not operate the machine when barefoot or wearing open sandals. This reduces the chance of injury to the feet from contact with the moving blade.
- **While operating the machine, always wear long pants.** Exposed skin increases the likelihood of injury from thrown objects.
- **Keep bystanders away while operating the machine.** Thrown debris can result in serious personal injury.
- **Always use two hands when operating the machine.** Holding the machine with both hands will avoid loss of control.
- **Hold the machine by the insulated gripping surfaces only, because the cutting line or blade may contact hidden wiring.** Cutting line or blades contacting a “live” wire may make exposed metal parts of the machine “live” and could give the operator an electric shock.
- **Always keep proper footing and operate the machine only when standing on the ground.** Slippery or unstable surfaces may cause a loss of balance or control of the machine.
- **Keep all parts of the body away from the cutter, line, or blade when the machine is operating. Before you start the machine, make sure the cutter, line, or blade is not contacting anything.** A moment of inattention while operating the machine may result in injury to yourself or others.
- **Maintain control of the machine and do not touch cutters, lines, or blades and other hazardous moving parts while they are still in motion.** This reduces the risk of injury from moving parts.
- **Carry the machine with the machine switched off and away from your body.** Proper handling of the machine will reduce the likelihood of accidental contact with a moving cutter, line, or blade.
- **Only use replacement cutters, lines, cutting heads, and blades specified by the manufacturer.** Incorrect replacement parts may increase the risk of breakage and injury.
- **When clearing jammed material or servicing the machine, make sure the switch is off and the battery pack is removed.** Unexpected starting of the machine while clearing jammed material or servicing may result in serious personal injury.
- **Damage to Bed Redefiner** - If you strike a foreign object with the machine, stop the machine immediately, check for damage and have any damage repaired

before further operation is attempted. Do not operate with a broken guard or blade.

- **If the equipment should start to vibrate abnormally, stop the motor and check immediately for the cause.** Vibration is generally a warning of trouble. A loose head may vibrate, crack, break, or come off the trimmer, which may result in serious or fatal injury. Make sure that the bed redefiner attachment is properly fixed in position. If the head loosens after fixing it in position, replace it immediately.
- **The rated rotational speed of the blade must be at least equal to the maximum rotational speed marked on the machine.** Blades running faster than their rated rotational speed can break and fly apart.
- **Do not operate the machine on excessively steep slopes.** This reduces the risk of loss of control, slipping, and falling, which may result in personal injury.
- **When working on slopes, always be sure of your footing, always work across the face of slopes, never up or down, and exercise extreme caution when changing direction.** This reduces the risk of loss of control, slipping, and falling, which may result in personal injury.
- **Do not operate the machine above waist height.** This helps prevent unintended cutter or blade contact and enables better control of the machine in unexpected situations.
- **Use Only With The 56V Lithium-Ion Power Head PH1400/PH1400-FC/PH1420/PH1420-FC/PHX1600/PHX1600-FC.**

NOTE: SEE YOUR POWER HEAD OPERATOR'S MANUAL FOR ADDITIONAL SPECIFIC SAFETY RULES.

SAVE THESE INSTRUCTIONS!

SYMBOLS

This page depicts and describes symbols that may appear on this product. Read, understand, and follow all instructions on the product before attempting to assemble and operate.

| | | |
|--|-------------------------------------|--|
| | Safety Alert | Precautions that involve your safety |
| | Read & Understand Operator's Manual | To reduce the risk of injury, user must read and understand operator's manual before using this product. |
| | Wear Eye Protection | Always wear safety goggles or safety glasses with side shields and a full-face shield when operating this product. |
| | Wear Ear Protection | Always wear sound barriers (ear plugs or ear muffs) to protect your hearing. |
| | Wear Head Protection | Wear an approved safety hard hat to protect your head. |
| | Wear Hand Protection | Protect your hands with gloves when handling brush cutter and its blade. Heavy-duty, non-slip gloves improve your grip and protect your hands. |
| | Wear Slip-resistant Footwear | Wear non-slip safety footwear when using this equipment. |
| | Beware of Blade Thrust | Warn the operator of the danger of blade thrust. |

| | | |
|--------------|---|--|
| | <p>Disconnect Battery Before Maintenance</p> | <p>Alerts user to disconnect battery before maintenance.</p> |
| | <p>WARNING –Beware of thrown objects- keep bystanders away</p> | <p>Alerts user to beware of thrown objects- keep bystanders away.</p> |
| <p>IP...</p> | <p>Ingress Protection (IP) Rating</p> | <p>Classifies the degree of protection provided by an enclosure, for electrical equipment.</p> |
| <p>V</p> | <p>Volt</p> | <p>Voltage</p> |
| <p>mm</p> | <p>Millimeter</p> | <p>Length or size</p> |
| <p>cm</p> | <p>Centimeter</p> | <p>Length or size</p> |
| <p>in.</p> | <p>Inch</p> | <p>Length or size</p> |
| <p>kg</p> | <p>Kilogram</p> | <p>Weight</p> |
| <p>lb</p> | <p>Pound</p> | <p>Weight</p> |
| | <p>Direct Current</p> | <p>Type or a characteristic of current</p> |
| <p>RPM</p> | <p>Revolutions per minute</p> | <p>Rotational speed</p> |
| <p>°C</p> | <p>Degrees Celsius</p> | <p>Temperature</p> |
| <p>°F</p> | <p>Degrees Fahrenheit</p> | <p>Temperature</p> |



INTRODUCTION

Congratulations on your selection of the EGO BED REDEFINER ATTACHMENT. It has been designed, engineered, and manufactured to give you the best possible dependability and performance.

Should you experience any problem you cannot easily remedy, please contact EGO customer service 1-855-EGO-5656.

This manual contains important information on to the safe assembly, operation, and maintenance of your product. Read it carefully before using the product. Keep this manual handy so you can refer to it at any time.

SERIAL NUMBER _____ DATE OF PURCHASE _____

YOU SHOULD RECORD BOTH SERIAL NUMBER AND DATE OF PURCHASE AND KEEP THEM IN A SAFE PLACE FOR FUTURE REFERENCE

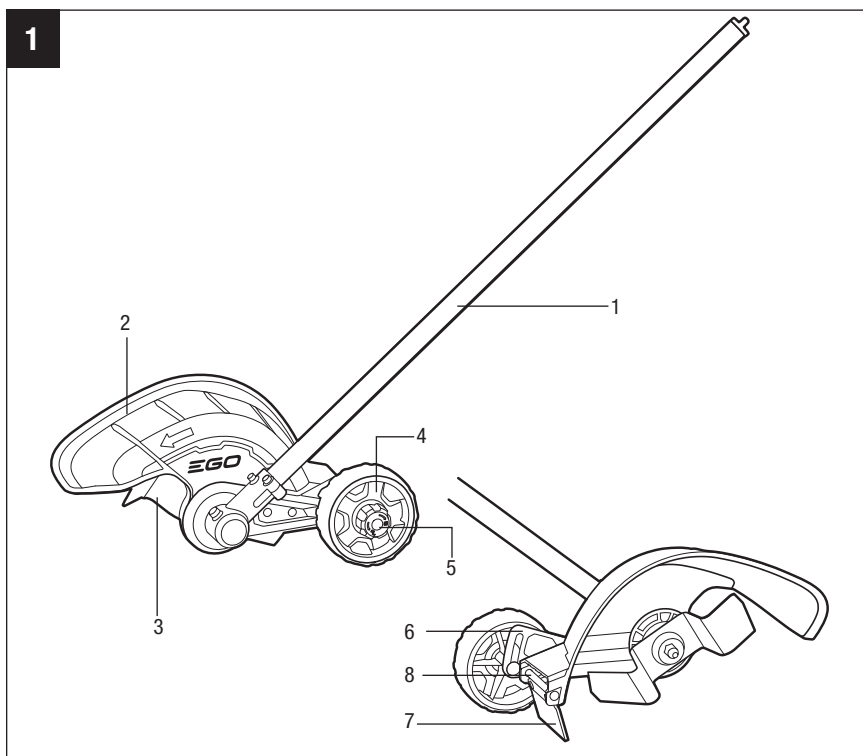
SPECIFICATIONS

| | |
|-----------------------------------|---|
| Blade Size | 8 in. (20.9 cm) |
| Blade Arbor Hole Diameter | 1 in. (2.54 cm) |
| Cutting Speed | 2200/2500 RPM |
| Max Cutting Depth | 2.4 in. (6.1 cm) |
| Blade Thickness | 0.197 in. (0.5 cm) |
| Guide Wheel Size | 4.7 in. (12 cm) |
| Recommended Operating Temperature | 32°F–104°F (0°C–40°C) |
| Recommended Storage Temperature | -4°F–158°F (-20°C–70°C) |
| Weight | 6.2 lbs (2.8 kg) |
| Ingress Protection Rating | IPX4* (Protection from splashing water) |

* **NOTE:** IPX4 rating is based on the machine and battery being used together as a system.

DESCRIPTION

KNOW YOUR BED RED EFINER ATTACHMENT (Fig. 1)



- | | |
|---------------------|------------------------------|
| 1. Attachment Shaft | 5. Depth-adjusting Knob |
| 2. Blade Guard | 6. Depth-adjusting Guide Bar |
| 3. Blade | 7. Debris Flap |
| 4. Guide Wheel | 8. Debris Flap Guard |

⚠ WARNING Never operate the machine without the guard firmly in place. Operating the tool without its guard will lead to serious injury.

BLADE

Metal blade for displacing earth, including soft vegetation, for the purpose of cleaning and renewing existing bed borders.

BLADE GUARD

Reduces the risk of injury from foreign objects flung backwards toward the operator by the cutting attachment and from contact with the cutting attachment.

DEBRIS FLAP

Reduces the risk of injury from foreign objects flung back toward the operator by the cutting blade.

DEPTH-ADJUSTING KNOB & DEPTH-ADJUSTING GUIDE BAR

Adjusts the depth of cut.

GUIDE WHEEL

Rolls on ground and keeps blade at preset height for required depth of cut.

ASSEMBLY

⚠ WARNING If any parts are damaged or missing, do not operate this product until the parts are replaced. Use of this product with damaged or missing parts could result in serious personal injury.

⚠ WARNING Do not attempt to modify this product or create accessories not recommended for use with this Bed Redefiner. Any such alteration or modification is misuse and could result in a hazardous condition leading to possibly serious personal injury.

⚠ WARNING Do not adjust the blade guard. The blade guard has been set at the factory so that the arrow on the blade guard and the open side point away from the operator. This ensures that cuttings and other debris are directed away from the machine and the operator.

⚠ WARNING Always wear heavy gloves when installing or removing the blade or doing any maintenance on the blade. Be careful of the blade and protect your hands from being injured by the blade.

⚠ WARNING Do not connect to power head until assembly is complete. Failure to comply could result in accidental starting and possible serious personal injury.

UNPACKING

- This product requires assembly.
- Carefully remove the product and any accessories from the box. Make sure that all items listed in the packing list are included.
- Inspect the machine carefully to make sure that no breakage or damage occurred during shipping.
- Do not discard the packing material until you have carefully inspected and satisfactorily operated the machine.
- If any parts are damaged or missing, please return the product to the place of purchase.

PACKING LIST

| PART NAME | QUANTITY |
|--------------------------|----------|
| Bed Redefiner Attachment | 1 |
| Operator's Manual | 1 |

CONNECTING THE ATTACHMENT TO THE POWER HEAD

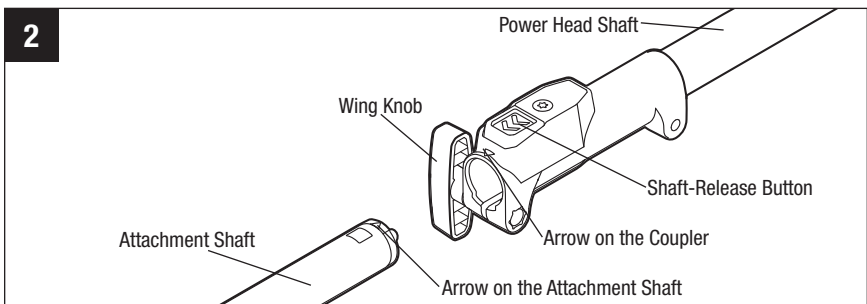
⚠ WARNING Never attach or adjust any attachment while the power head is running or with the battery installed. Failure to stop the motor and remove the battery may cause serious personal injury.

This bed redefiner attachment is designed for use with EGO Power Head PH1400/ PH1400-FC/ PH1420/PH1420-FC/PHX1600/PHX1600-FC.

The bed redefiner attachment connects to the power head by means of a coupler device.

1. Stop the motor and remove the battery pack.
2. Loosen the wing knob.
3. Align the arrow on the attachment shaft with the arrow on the coupler and push the attachment shaft into the coupler until you hear a clear “click” sound which indicates the attachment shaft is mounted into place (Fig. 2).
4. Pull the shaft of the attachment to verify it is securely locked into the coupler. If not, rotate the attachment shaft from side to side in the coupler until it snaps into place.
5. Tighten the wing knob securely.

⚠ WARNING Be certain the wing knob is fully tightened before operating equipment; check it periodically for tightness during use to avoid serious personal injury.



To remove the attachment from the power head

1. Stop the motor and remove the battery pack.
2. Loosen the wing knob.
3. Press the shaft-release button and with the button depressed, pull or twist the attachment shaft out of the coupler.

OPERATION

⚠ WARNING Do not allow familiarity with this product to make you careless. Remember that a careless fraction of a second is sufficient to inflict serious injury.

⚠ WARNING Always wear safety goggles or safety glasses with side shields marked to comply with ANSI Z87.1. Failure to do so could result in objects being thrown into your eyes and other possible serious injuries.

⚠ WARNING To prevent serious personal injury, remove the battery pack from the machine before servicing, cleaning, changing attachments, or removing material from the unit.

⚠ WARNING Do not use any attachments or accessories not recommended by the manufacturer of this product. The use of attachments or accessories not recommended can result in serious personal injury.

Before each use, inspect the entire product for damaged, missing, or loose parts such as screws, nuts, bolts, caps, etc. Tighten securely all fasteners and caps and do not operate this product until all missing or damaged parts are replaced.

APPLICATION

You may use this machine for the purpose listed below:

For cleaning and renewing bed borders.

USING THE ATTACHMENT WITH POWER HEAD

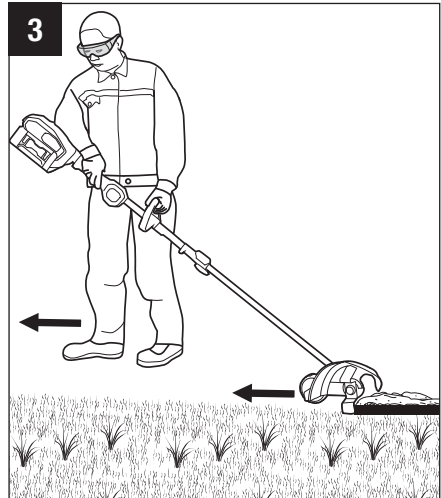
⚠ WARNING Dress properly to reduce the risk of injury when operating this machine. Do not wear loose clothing or jewelry. Wear eye and ear/hearing protection. Wear heavy, long pants, boots, and gloves. Do not wear short pants or sandals or go barefoot. Wear a face mask or dust mask in dusty locations.

⚠ WARNING Clear away all obstacles and solid objects from the work area.

⚠ WARNING Ensure there are no buried cables or utilities in the intended work area before using the Bed Redefiner. Cutting through buried cable or utilities could result in serious injury.

Hold the machine with your right hand on the rear handle and your left hand on the front-assist handle. Keep a firm grip with both hands while operating the machine. Hold the machine in a comfortable position, with the rear handle at about hip height (Fig. 3). Operate in direction of arrow, pulling rather than pushing the tool. Carefully watch the bed edge and direction of travel.

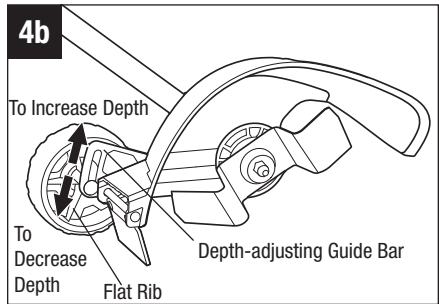
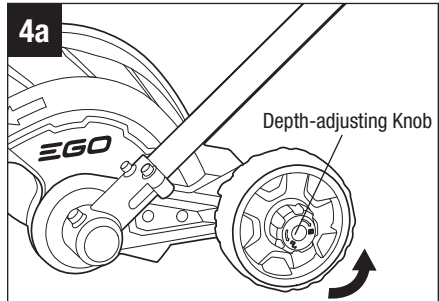
⚠ WARNING Maintain focus on the direction of travel and cutting head as you operate the Bed Redefiner while ensuring no children, bystanders, or pets enter the work area when operating the tool. Remember that a careless fraction of a second is sufficient to inflict death or serious injury.



ADJUSTING DEPTH OF CUT

The wheel adjustment does not explicitly change the blade depth. The blade plunge depth is controlled by the operator. The following procedure should be used to find the zero cutting depth reference point based on your height and grip position:

1. Stop the motor and remove the battery pack.
2. Loosen the depth-adjusting knob in the direction of the unlocking arrow marked on the knob (Fig.4a).
3. Move the guide wheel, along the depth-adjusting guide bar, up to increase the depth of cut or down to decrease the depth (Fig. 4b).
4. Tighten the depth-adjusting knob clockwise securely, in the direction of the locking arrow marked on the knob.
5. Standing in the normal working position, check the depth of cut again and correct it if necessary.



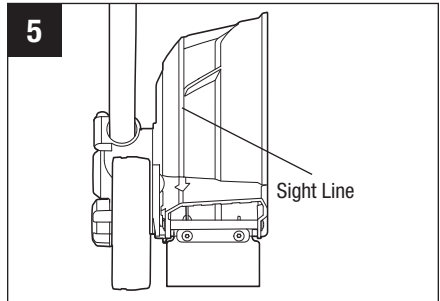
STARTING/STOPPING THE MACHINE

See “**STARTING/STOPPING THE POWER HEAD**” section in the power head PH1400/PH1400-FC/PH1420/PH1420-FC/PHX1600/PHX1600-FC operator’s manual.

OPERATING TIPS

- Hold and guide the power head so that the blade is vertical.
- Operate at no more than a normal walking pace.
- It is recommended to make multiple passes, while slightly increasing depth of cut for each pass until the desired depth of cut is achieved. It is recommended to use no more than 1 inch depth increments, depending on soil conditions and condition of the current bed boundary.

- Avoid operating in wet soil/grass.
- Push the tool at a steady pace. If the blade begins to bog down, slow the cutting pace.
- Do not force the blade into the ground.
- Use the sight line to line the blade up with the edge of the bed (Fig. 5).



MAINTENANCE

⚠ WARNING When servicing, use only identical replacement parts. Use of any other parts may create a hazard or cause product damage. To ensure safety and reliability, all repairs should be performed by a qualified service technician.

⚠ WARNING Battery tools do not have to be plugged into an electrical outlet; therefore, they are always in operating condition. To prevent serious personal injury, take extra precautions and care when performing maintenance, service, or when changing the cutting attachment or other attachments.

⚠ WARNING To prevent serious personal injury, remove the battery pack from the power head before servicing, cleaning, changing add-on attachments, or when the machine is not in use.

GENERAL MAINTENANCE

Avoid using solvents when cleaning plastic parts. Most plastics are susceptible to damage from various types of commercial solvents and may be damaged by their use. Use clean cloths to remove dirt, dust, oil, grease, etc.

⚠ WARNING Do not at any time let brake fluids, gasoline, petroleum based products, penetrating oils, etc., come in contact with plastic parts. Chemicals can damage, weaken, or destroy plastic, which may result in serious personal injury.

⚠ WARNING When cleaning the bed redefiner attachment, DO NOT immerse it in water or other liquids.

CLEANING THE UNIT

- After each use, remove the battery and clean the debris, clogged soils, or grass on the blade and guard with a soft brush. Wipe the edger surface with a clean cloth moistened with a mild soap solution.
- Use a small brush or a small vacuum cleaner to clean the air vents on the rear housing.
- Keep the air vents free of obstructions.

All service, other than the items listed in these maintenance instructions, should be performed by competent service personnel.

REPLACING THE BLADE

⚠ WARNING Do not attempt to straighten or weld a bent or cracked blade. Such a blade may break and it must be replaced. Replace only with EGO Bed Redefiner blade.

NOTICE Replace the blade if its length is no longer sufficient to maintain the necessary ground clearance and obtain the required depth of cut.

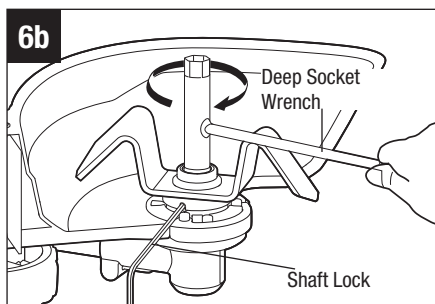
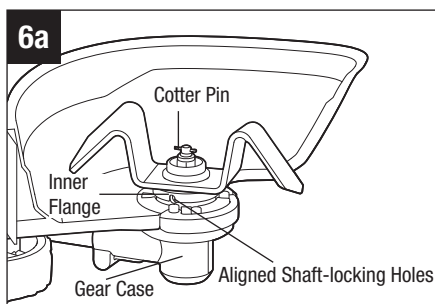
⚠ WARNING Always protect your hands by wearing heavy gloves or wrapping the blade with rags or other materials when performing any maintenance on the blade.

Required tools:

- needle-nose pliers (not provided)
- 4 mm hex wrench (not provided)
- 15 mm deep socket wrench (not provided)

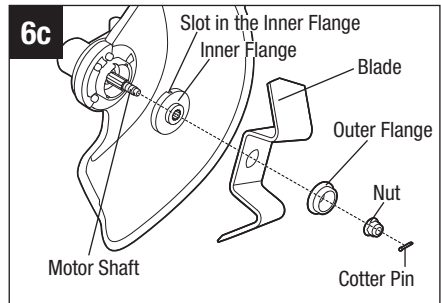
To remove the blade

1. Stop the motor and remove the battery pack.
2. Lay the machine on its back so that the blade is facing upwards.
3. Wear protective gloves. Use the needle-nose pliers to remove the cotter pin from the motor shaft (Fig. 6a).
4. Rotate the blade to align the slot in the flange with the hole in the gear case (Fig. 6a).
5. Insert the hex wrench into the aligned holes to act as a shaft lock. Use the deep socket wrench to loosen the nut **CLOCKWISE** (Fig. 6b).



NOTE: Left-Handed Thread. Nut is loosened opposite to conventional Right-Handed Threads.

- Remove the nut, outer flange, blade, and the inner flange from the motor shaft (Fig. 6c). Check and replace them if they are worn.



To install the blade

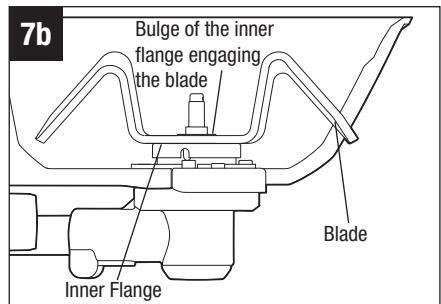
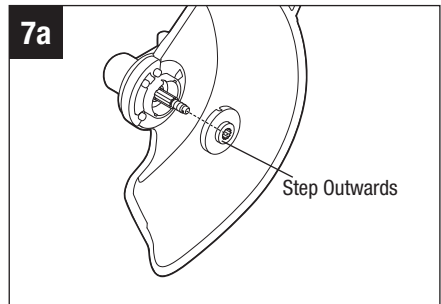
- Position the inner flange removed in step 6 of the “To remove the blade” section onto the motor shaft with the step of the inner flange facing outwards (Fig. 7a).
- Install the new blade onto the inner flange.

⚠ WARNING The step of the inner flange must engage the blade’s mounting hole (Fig. 7b). There should not be any clearance between the blade and the inner flange’s flat surface.

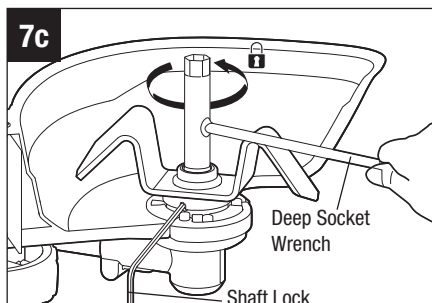
- Mount the outer flange and the nut onto the shaft, and pre-tighten the nut **COUNTERCLOCKWISE** by hand.

NOTE: Left-Handed Thread. Nut is tightened opposite to conventional Right-Handed Threads.

- Rotate the blade to align the slot in the flange with the hole in the gear case (Fig. 6a).

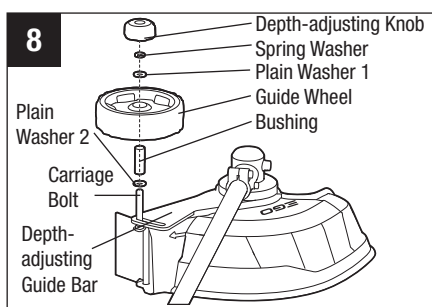


5. Insert the hex wrench into the aligned holes to act as a shaft lock. Use the deep socket wrench to tighten the nut COUNTERCLOCKWISE securely onto the shaft (Fig. 7c).
6. Insert a new cotter pin into the hole in the motor shaft. Bend the two feet of the pin in opposite directions with the needle-nose pliers (not included) (Fig. 6a).



REPLACING THE GUIDE WHEEL

1. Stop the motor and remove the battery pack.
2. Lay the machine on its back so that the guide wheel is facing upwards.
3. Loosen the depth-adjusting knob in the direction of the unlocking arrow marked on the knob and remove it.



4. Remove the spring washer, plain washer 1, guide wheel, bushing, and plain washer 2 from the carriage bolt (Fig. 8). Check and replace them if they are worn.
5. Mount the carriage bolt through the depth-adjusting guide bar first, and then mount the plain washer 2, bushing, and new wheel, then mount the plain washer 1, spring washer, and depth-adjusting knob onto the carriage bolt in the sequence shown in Fig. 8.

NOTICE The guide wheel should be mounted with its flat ribs facing inwards (Fig. 4b).

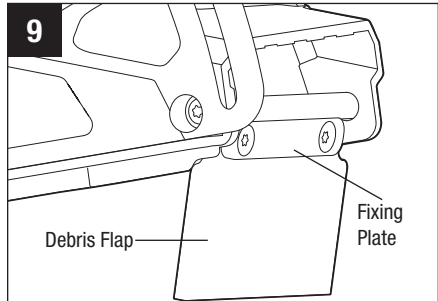
6. Lock the depth-adjusting knob in the direction of the locking arrow marked on the knob.

REPLACING THE DEBRIS FLAP

Required tool:

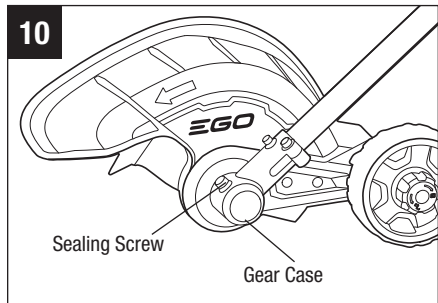
- T20 torx screwdriver (not provided)

1. Stop the motor and remove the battery pack.
2. Use the T20 torx screwdriver to loosen the two screws on the top of the debris flap and remove the fixing plate.
3. Use the T20 Torx screwdriver to loosen the screws on both sides of the debris flap and remove the worn debris flap.
4. Replace with the new debris flap, reinstall and tighten the side and top screws.



TRANSMISSION GEARS LUBRICATION

The transmission gears in the gear case need be lubricated periodically with gear grease. Check the gear case grease level about every 50 hours of operation by removing the sealing screw on the side of the case.



If no grease can be seen on the sides of the gear, follow the steps below to fill the gear case with gear grease up to 3/4 capacity.

Do not completely fill the gear case.

Required tool:

- 5 mm hex wrench (not provided)

1. Position the machine upright so that the sealing screw is facing upwards (Fig. 10).
2. Use the 5 mm hex wrench (not included) to loosen and remove the sealing screw.



3. Use a grease syringe (not included) to inject some grease into the screw hole; do not exceed 3/4 capacity.
4. Tighten the sealing screw after injection.

STORING THE UNIT

- Remove the battery pack from the machine.
- Clean the machine thoroughly before storing it.
- Store the unit in a dry, well-ventilated area, out of the reach of children. Do not store the unit on or adjacent to fertilizers, gasoline, or other chemicals.

TROUBLESHOOTING

| PROBLEM | CAUSE | SOLUTION |
|------------------------------------|--|---|
| Motor fails to start. | <ul style="list-style-type: none"> ■ The battery pack is not attached to the power head. ■ No electrical contact between the power head and the battery pack. ■ The battery pack is depleted. ■ The lock-off lever and trigger are not depressed simultaneously. | <ul style="list-style-type: none"> ■ Attach the battery pack to the power head. ■ Remove the battery, check contacts and reinstall the battery pack until it snaps into place. ■ Charge the battery pack with EGO chargers listed in this manual. ■ Press down the lock-off button and hold it, then depress the trigger to turn on the machine. |
| Power head stops during operation. | <ul style="list-style-type: none"> ■ The motor is overloaded. ■ The battery pack or the power head is too hot. ■ The battery pack is disconnected from the machine. ■ The battery pack is depleted. | <ul style="list-style-type: none"> ■ The motor will recover when the load is removed. For continuous working, decrease the load on the power head. ■ Allow the battery pack or power head to cool until the temperature drops below 152 °F (67 °C). ■ Re-install the battery pack. ■ Charge the battery pack with EGO chargers listed in this manual. |



EGO LIMITED WARRANTY

WARRANTY POLICY TERMS AND DURATION

Chervon North America, Inc. (“Chervon North America, Naperville, IL 60563”) provides the following Limited Warranty for EGO products to the original purchaser of EGO products.

The detailed warranty period for each EGO product can be found online at <http://egopowerplus.com/warranty-policy>.

Please contact EGO Customer Service Toll-Free at 1-855-EGO-5656 any time you have questions or warranty claims.

LIMITED SERVICE WARRANTY

EGO products are warranted against defects in material or workmanship from the date of original retail purchase for the applicable warranty period. For any properly and timely submitted warranty claim, if Chervon North America determines a product to be defective during the warranty period, the product will receive free repair or replacement as determined by Chervon North America.

HOW TO OBTAIN SERVICE

For warranty service, within the applicable warranty period, please contact EGO customer service toll-free at **1-855-EGO-5656**. When requesting warranty service, you must present the original dated sales receipt. An authorized service center will be selected to evaluate and repair the product if defective according to the stated warranty terms. When bringing your product to the authorized service center, there may be a small deposit that will be required when dropping off your tool. This deposit is refundable when the repair service is deemed to be covered under warranty. The purchaser is responsible for transportation of any outdoor power equipment or attachments at their expense.

ADDITIONAL LIMITATIONS & EXCLUSIONS

This limited warranty applies only to the original purchaser from an authorized EGO retailer and is not transferable. EGO products shall not be considered defective, and this warranty will not apply, where the claimed defect is attributable to any cause other than the above-defined defects. This warranty shall be void if the product has been used for rental purposes. This warranty shall not apply to damage caused by accident, abuse, misuse, alteration, modification, unauthorized repair, liquid contact, fire, earthquake or other external cause; operating the product outside EGO's instructions, specifications or guidelines; or failure to properly service or maintain the product. This warranty also does not apply to cosmetic damage, including but not limited to scratches or dents; defects caused by normal wear and tear or otherwise due to the normal aging of the product.

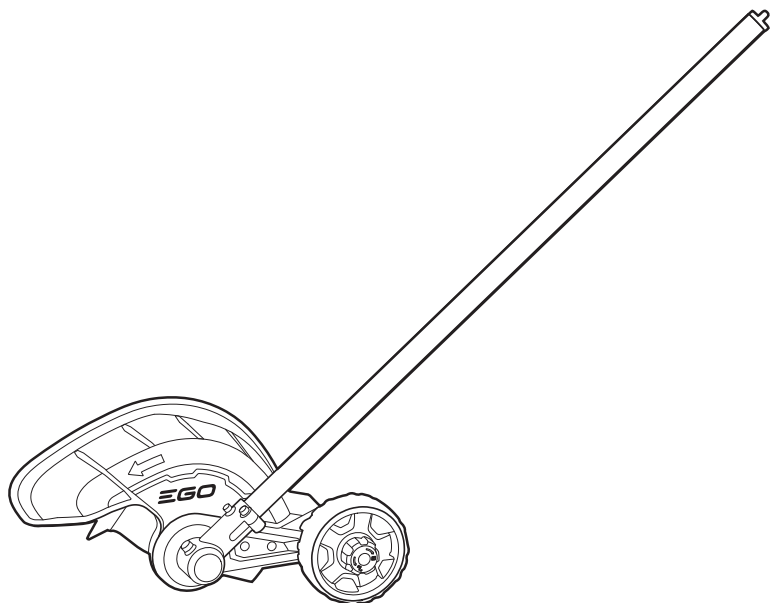
THIS EXPRESS WARRANTY IS GIVEN IN LIEU OF ALL OTHER WARRANTIES, EXPRESS OR IMPLIED, INCLUDING, BUT NOT LIMITED TO, ANY WARRANTIES OF MERCHANTABILITY OR FITNESS FOR PARTICULAR PURPOSE OR USE, WHICH ARE DISCLAIMED. Any implied warranties, including warranties of merchantability or fitness for a particular purpose, that cannot be disclaimed under state law are limited to the applicable warranty period defined at the beginning of this article. The sole and exclusive remedy in connection with the purchase, installation, use, and/or performance of the EGO products is repair or replacement of the product as determined by Chervon North America. Chervon North America's maximum liability shall not in any case exceed the purchase price paid for the product. CHERVON NORTH AMERICA SHALL NOT BE LIABLE TO THE USER OR TO ANYONE ELSE FOR CONSEQUENTIAL, INCIDENTAL, SPECIAL, EXEMPLARY, INDIRECT, OR PUNITIVE DAMAGES ARISING FROM USE OF THE PRODUCTS, INCLUDING BUT NOT LIMITED TO PERSONAL INJURY, DEATH, PROPERTY DAMAGE, LOST PROFITS, OR OTHER ECONOMIC INJURY. This warranty gives you specific legal rights, and you may also have other rights which vary from state to state. Some states do not allow limitations on how long an implied warranty lasts, the exclusion or limitation of incidental or consequential damages, or the limitations on time to bring certain actions, so such limitations contained herein do not apply to individual consumers in those states.

This warranty is subject to and shall be interpreted according to Michigan law without regard to principles of conflicts of laws. No legal action shall be brought against Chervon North America unless filed within one (1) year after the basis for such legal action becomes known, or with the exercise of reasonable diligence should have become known. Any action not timely filed shall be deemed waived.

For customer service contact us toll-free at: **1-855-EGO-5656** or **EGOPOWERPLUS.COM**.

EGO Customer Service
769 Seward Ave. NW, Suite 102
Grand Rapids, Michigan 49504.

EGO™



MODE D'EMPLOI

ATTACHEMENT DE REMODELEUR DE MASSIFS

MODÈLE N° BRA0820/BRA0820-FC

⚠ AVERTISSEMENT : Afin de réduire les risques de blessure, l'utilisateur doit lire et comprendre le guide d'utilisation avant d'utiliser ce produit. Conservez le présent guide afin de pouvoir le consulter ultérieurement.

LISEZ TOUTES LES INSTRUCTIONS !



LISEZ LE MODE D'EMPLOI ET
ASSUREZ-VOUS QUE VOUS LE COMPRENEZ

TABLE DES MATIÈRES

| | |
|---|-------|
| Symboles relatifs à la sécurité | 35 |
| Consignes générales de sécurité | 36-40 |
| Consignes de sécurité pour le remodeleur de massifs | 40-42 |
| Symboles | 43-44 |
| Introduction | 45 |
| Spécifications | 46 |
| Description | 47-48 |
| Assemblage | 49-51 |
| Fonctionnement | 52-55 |
| Entretien | 56-62 |
| Recherche de la cause des problèmes | 63 |
| Garantie limitée EGO | 64-66 |

SYMBOLES RELATIFS À LA SÉCURITÉ

Les symboles relatifs à la sécurité ont pour but d'attirer votre attention sur les dangers possibles. Les symboles relatifs à la sécurité et les explications qui les accompagnent nécessitent votre attention et votre compréhension. Les symboles d'avertissement n'éliminent pas à eux seuls tout danger. Les instructions et les avertissements qu'ils donnent ne remplacent pas les mesures appropriées de prévention des accidents.

⚠ AVERTISSEMENT Veuillez à lire et à comprendre toutes les consignes de sécurité contenues dans ce mode d'emploi, y compris tous les symboles d'alertes relatives à la sécurité tels que « **DANGER** », « **AVERTISSEMENT** » et « **MISE EN GARDE** », avant d'utiliser cette machine. La non-observation de toutes les instructions figurant ci-après pourrait causer un choc électrique, un incendie et/ou des blessures graves.

| | |
|--|---|
| Les définitions ci-dessous décrivent le niveau de gravité de chaque mot indicateur. Veuillez lire le mode d'emploi et prêter attention à ces symboles. | |
| | Il s'agit du symbole d'alerte relative à la sécurité. Il est utilisé pour vous avertir des risques potentiels de blessures. Respectez tous les messages de sécurité qui suivent ce symbole afin d'éviter tout risque de blessure ou de décès. |
| ⚠ DANGER | DANGER indique une situation dangereuse qui, si elle n'est pas évitée, causera la mort d'une personne ou une blessure grave. |
| ⚠ AVERTISSEMENT | AVERTISSEMENT indique une situation dangereuse qui, si elle n'est pas évitée, causera la mort d'une personne ou une blessure grave. |
| ⚠ MISE EN GARDE | MISE EN GARDE , conjointement avec le symbole d'alerte en liaison avec la sécurité, indique une situation dangereuse qui, si elle n'est pas évitée, causera une blessure légère ou modérée. |

MESSAGES D'INFORMATION ET PRÉVENTION DES DOMMAGES

Ils informent l'utilisateur d'informations et/ou d'instructions importantes qui, si elles ne sont pas respectées, pourraient endommager l'équipement ou d'autres biens. Chaque message est précédé du mot « **AVIS** », comme dans l'exemple ci-dessous :

AVIS Le non-respect de ces instructions peut entraîner des dommages matériels et/ou des dommages à l'équipement.

CONSIGNES GÉNÉRALES DE SÉCURITÉ

⚠ AVERTISSEMENT Lisez tous les avertissements relatifs à la sécurité, les instructions, les illustrations et les spécifications fournis avec cette machine. Le non-respect de toutes les instructions figurant ci-après pourrait causer un choc électrique, un incendie et/ou des blessures graves.

Conservez tous les avertissements et toutes les instructions pour pouvoir vous y référer ultérieurement.

Le terme « machine » dans les avertissements fait référence à votre machine fonctionnant sur le secteur (avec fil) ou avec des piles (sans fil).

SÉCURITÉ SUR LE LIEU DE TRAVAIL

- **Maintenez la zone de travail propre et bien éclairée.** Les zones encombrées ou sombres sont propices aux accidents.
- **N'utilisez pas des machines dans des atmosphères explosives, par exemple en présence de liquides, de gaz ou de poussières inflammables.** Les machines produisent des étincelles qui peuvent enflammer les poussières ou les fumées.
- **Tenez les enfants et les autres personnes présentes à l'écart lorsque vous utilisez une machine.** Les distractions pourraient vous faire perdre le contrôle.

SÉCURITÉ ÉLECTRIQUE

- **Les fiches de l'appareil doivent correspondre à la prise de courant. Ne modifiez jamais la fiche de quelque manière que ce soit. N'utilisez pas de fiches d'adaptation avec des machines mises à la terre.** Des fiches non modifiées et des prises de courant adaptées réduisent le risque de choc électrique.
- **Évitez tout contact du corps avec des surfaces mises à la terre ou à la masse, telles que les tuyaux, les radiateurs, les cuisinières et les réfrigérateurs.** Le risque de choc électrique est accru si votre corps est en contact avec la masse ou la terre.
- **N'utilisez pas la machine sous la pluie ou dans des conditions humides.** La pénétration d'eau dans la machine peut augmenter le risque de choc électrique ou de dysfonctionnement pouvant entraîner des blessures.

- **N'abusez pas du cordon. N'utilisez jamais le cordon pour porter, tirer ou débrancher la machine. Tenez le cordon à l'écart de la chaleur, de l'huile, des bords tranchants ou des pièces mobiles.** Les cordons endommagés ou emmêlés augmentent le risque de choc électrique.
- **Lorsque vous utilisez une machine à l'extérieur, employez une rallonge électrique adaptée à l'utilisation en extérieur.** L'utilisation d'un cordon adapté à une utilisation en extérieur réduit le risque de choc électrique.
- **Si l'utilisation d'une machine dans un endroit humide est inévitable, utilisez une alimentation protégée par un disjoncteur de fuite à la terre (GFCI).** L'utilisation d'un disjoncteur de fuite à la terre réduit le risque de choc électrique.

SÉCURITÉ PERSONNELLE

- **Restez vigilant(e), regardez ce que vous faites et faites preuve de bon sens lorsque vous utilisez une machine. N'utilisez pas une machine si vous êtes fatigué(e) ou sous l'influence de drogues, d'alcool ou de médicaments.** Un moment d'inattention lors de l'utilisation de machines peut entraîner des blessures graves.
- **Utilisez des équipements de protection individuelle.** Portez toujours des équipements de protection des yeux. Des équipements de protection tels qu'un masque anti-poussière, des chaussures de sécurité antidérapantes, un casque de protection ou une protection auditive, utilisés dans des conditions appropriées, réduiront les risques de blessures.
- **Prévenez les démarrages intempestifs. Assurez-vous que l'interrupteur est en position d'arrêt avant de brancher la source d'alimentation et/ou le bloc-piles, ou de soulever ou de transporter la machine.** Le fait de porter des machines avec le doigt sur l'interrupteur ou de mettre sous tension des machines dont l'interrupteur est enclenché est une source d'accidents.
- **Retirez toute clé de réglage ou clé à molette avant de mettre la machine en marche.** Une clé laissée attachée à une partie mobile de la machine peut entraîner des blessures.
- **Ne vous penchez pas excessivement au-dessus de la machine. Gardez un bon équilibre et un appui stable sur vos pieds à tout moment.** Ceci permet de mieux contrôler la machine dans des situations inattendues.
- **Habillez-vous de façon appropriée. Ne portez pas de bijoux ou de vêtements amples. Tenez vos cheveux et vos vêtements à l'écart des pièces mobiles.** Les vêtements amples, les bijoux ou les cheveux longs peuvent être attrapés par des pièces en mouvement.

- **Si des dispositifs sont prévus pour le raccordement d'installations d'extraction et de collecte des poussières, veillez à ce qu'ils soient raccordés et utilisés correctement.** L'utilisation de dispositifs anti-poussière peut réduire les risques liés à la poussière.
- **Ne laissez pas la familiarité résultant de l'utilisation fréquente des machines vous permettre de devenir complaisant(e) et d'ignorer les principes de sécurité des machines.** Un geste imprudent peut entraîner des blessures graves en une fraction de seconde.

UTILISATION ET ENTRETIEN DE LA MACHINE

- **Ne forcez pas la machine. Utilisez la machine électrique adaptée à votre application.** La bonne machine fera un meilleur travail de manière plus sûre, au rythme pour lequel elle a été conçue.
- **N'utilisez pas la machine si l'interrupteur ne permet pas de l'allumer et de l'éteindre.** Toute machine qui ne peut pas être contrôlée par l'interrupteur est dangereuse et doit être réparée.
- **Débranchez la fiche de la source d'alimentation et/ou retirez le bloc-piles, s'il est amovible, de la machine avant d'effectuer des réglages, de changer d'accessoires ou de ranger la machine.** De telles mesures de sécurité préventives réduisent le risque de démarrage accidentel de la machine.
- **Rangez les machines à l'arrêt hors de portée des enfants et ne laissez pas des personnes ne connaissant pas la machine ou ces instructions utiliser la machine.** Les machines sont dangereuses entre les mains d'utilisateurs n'ayant pas été formés pour les utiliser.
- **Entretenez les machines et les accessoires. Vérifiez que les pièces mobiles ne sont pas mal alignées ou coincées, qu'aucune pièce n'est cassée et qu'il n'y a pas d'autres problèmes susceptibles d'affecter le fonctionnement de la machine. Si la machine est endommagée, faites-la réparer avant de l'utiliser.** De nombreux accidents sont causés par des machines et des accessoires mal entretenus.
- **Maintenez les machines de coupe affûtées et propres.** Les machines de coupe correctement entretenues et dotées de tranchants bien affûtés sont moins susceptibles de se coincer et sont plus faciles à contrôler.
- **Utilisez la machine électrique, les accessoires, les embouts, etc. conformément à ces instructions, en tenant compte des conditions de travail et du travail à effectuer.** L'utilisation de la machine pour des opérations différentes de celles qui sont prévues peut entraîner une situation dangereuse.

- **Maintenez les poignées et les surfaces de préhension sèches, propres et exemptes d'huile et de graisse.** Les poignées et les surfaces de préhension glissantes ne permettent pas de manipuler et de contrôler la machine en toute sécurité dans des situations inattendues.

UTILISATION ET ENTRETIEN DE MACHINES ALIMENTÉES PAR DES PILES

- **Rechargez uniquement avec le chargeur spécifié par le fabricant.** Un chargeur adapté à un type de bloc-piles peut présenter un risque d'incendie lorsqu'il est utilisé avec un autre type de bloc-piles.
- **N'utilisez les machines qu'avec des blocs-piles spécialement conçus à cet effet.** L'utilisation d'autres blocs-piles peut entraîner des risques de blessures et d'incendie.
- **Lorsque le bloc-piles n'est pas utilisé, tenez-le à l'écart d'autres objets métalliques, comme des trombones, des pièces de monnaie, des clés, des clous, des vis ou d'autres petits objets métalliques, qui pourraient se connecter d'une borne à l'autre.** La mise en court-circuit des bornes de la pile peut provoquer des brûlures ou un incendie.
- **Dans des conditions abusives, du liquide peut être éjecté de la pile ; évitez tout contact. En cas de contact accidentel, rincez avec de l'eau. En cas de contact du liquide avec les yeux, consultez également un médecin de toute urgence.** Du liquide éjecté de la pile peut provoquer des irritations ou des brûlures.
- **N'utilisez pas un bloc-piles ou une machine endommagé ou modifié.** Les piles endommagées ou modifiées peuvent avoir un comportement imprévisible et provoquer un incendie, une explosion ou une blessure.
- **N'exposez pas un bloc-piles ou une machine à un feu ou à une température excessive.** L'exposition à un feu ou à une température supérieure à 130 °C / 265 °F peut provoquer une explosion.
- **Suivez toutes les instructions de charge et ne chargez pas le bloc-piles ou la machine en dehors de la plage de température spécifiée dans les instructions.** Une charge incorrecte ou à des températures en dehors de la plage spécifiée peut endommager la pile et augmenter le risque d'incendie.

SERVICE APRÈS-VENTE

- **Faites réparer votre machine par un réparateur qualifié en utilisant uniquement des pièces de rechange identiques.** Ceci permet de garantir la sécurité de la machine.
- **Ne réparez jamais un bloc-piles endommagé.** L'entretien des blocs-piles ne doit être effectué que par le fabricant ou des prestataires de services agréés.

CONSIGNES DE SÉCURITÉ POUR LE REMODELEUR DE MASSIFS

- **N'utilisez pas la machine par mauvais temps, en particulier lorsqu'il y a un risque de foudre.** Ceci réduit le risque d'être frappé par la foudre.
- **Inspectez minutieusement la zone d'utilisation de la machine afin d'y déceler la présence d'animaux sauvages.** Des animaux sauvages pourraient être blessés par la machine pendant son fonctionnement.
- **Inspectez soigneusement l'endroit où la machine sera utilisée, et retirez les pierres, les bâtons, les fils, les os et tous les autres objets étrangers.** La projection d'objets peut causer des blessures.
- **Avant d'utiliser la machine, vérifiez toujours visuellement que l'outil de coupe, la lame et/ou l'ensemble de la lame ne sont pas endommagés.** Les pièces endommagées augmentent le risque de blessure.
- **Suivez les instructions pour le changement d'accessoires.** Des écrous ou des boulons de fixation de la lame mal serrés risquent d'endommager la lame ou de causer son détachement.
- **Portez un appareil de protection des yeux, des oreilles, de la tête et des mains.** Des équipements de protection adéquats permettent de réduire les blessures dues à la projection de débris ou au contact accidentel avec le fil de coupe ou la lame.
- **Lors de l'utilisation de la machine, portez toujours des chaussures de sécurité.** N'utilisez pas la machine lorsque vous êtes pieds nus ou lorsque vous portez des sandales ouvertes. Ceci réduira les risques de blessures aux pieds en cas de contact avec la lame en mouvement.
- **Lorsque vous utilisez la machine, portez toujours un pantalon long.** La peau exposée augmente le risque de blessure par des objets projetés.

- **Tenez les autres personnes présentes à l'écart pendant l'utilisation de la machine.** Les débris projetés peuvent causer des blessures graves.
- **Utilisez toujours les deux mains pour utiliser la machine.** Tenez la machine avec les deux mains pour ne pas risquer de perdre le contrôle.
- **Tenez la machine uniquement par les surfaces de préhension isolées, car le fil de coupe ou la lame peut entrer en contact avec des câbles cachés.** Un fil de coupe ou des lames entrant en contact avec un fil sous tension peuvent rendre les parties métalliques exposées de la machine sous tension et provoquer un choc électrique pour l'opérateur.
- **Gardez toujours une bonne assise et n'utilisez la machine qu'en vous tenant bien en équilibre sur le sol.** Les surfaces glissantes ou instables peuvent entraîner une perte d'équilibre ou de contrôle de la machine.
- **Gardez toutes les parties du corps à l'écart de l'outil de coupe, du fil de coupe ou de la lame lorsque la machine est en marche. Avant de mettre la machine en marche, assurez-vous que l'outil de coupe, le fil de coupe et la lame ne sont pas en contact avec quoi que ce soit.** Un moment d'inattention lors de l'utilisation de la machine peut entraîner des blessures pour vous-même ou pour d'autres personnes.
- **Gardez le contrôle de la machine et ne touchez pas les outils de coupe, les fils de coupe ou les lames et les autres pièces mobiles dangereuses lorsqu'elles sont encore en mouvement.** Ceci réduit le risque de blessures pouvant être causées par des pièces mobiles.
- **Transportez la machine éteinte et éloignée de votre corps.** Une manipulation correcte de la machine réduira le risque de contact accidentel avec un outil de coupe, un fil de coupe ou une lame en mouvement.
- **N'utilisez que les outils de coupe, fils de coupe, têtes de coupe et lames de rechange spécifiés par le fabricant.** Des pièces de rechange incorrectes peuvent augmenter le risque de casse et de blessure.
- **Lors de l'élimination des bourrages ou de l'entretien de la machine, assurez-vous que l'interrupteur est éteint et que le bloc-piles est retiré.** Un démarrage inopiné de la machine lors de l'élimination d'un bourrage ou d'une opération d'entretien peut entraîner des blessures graves.
- **Domages au remodeleur de massifs** - Si vous heurtez un corps étranger avec la machine, arrêtez-la immédiatement, vérifiez qu'elle n'est pas endommagée et faites-la réparer avant d'essayer de la faire fonctionner à nouveau. N'utilisez pas la machine si un dispositif de protection ou une lame est cassé.

- **Si l'équipement commence à vibrer de manière anormale, arrêtez le moteur et recherchez immédiatement la cause du problème.** Les vibrations sont généralement un signe avant-coureur d'un problème. Une tête mal fixée peut vibrer, se fissurer, se casser ou se détacher du coupe-bordure, ce qui peut entraîner des blessures graves ou mortelles. Assurez-vous que l'attachement de remodeleur de massifs est correctement fixé en place. Si la tête se desserre après avoir été serrée en place, remplacez-la immédiatement.
- **La vitesse de rotation nominale de la lame doit être au moins égale à la vitesse de rotation maximale indiquée sur la machine.** Les lames qui tournent à une vitesse supérieure à leur vitesse de rotation nominale peuvent se briser et voler en éclats.
- **N'utilisez pas la machine sur des pentes trop raides.** Ceci réduit le risque de perte de contrôle, de dérapage et de chute, qui peuvent entraîner des blessures.
- **Lorsque vous travaillez sur des pentes, assurez-vous toujours que vous êtes bien équilibré(e), travaillez toujours en travers de la pente, jamais vers le haut ou vers le bas, et faites preuve d'une extrême prudence lorsque vous changez de direction.** Ceci réduit le risque de perte de contrôle, de dérapage et de chute, qui peuvent entraîner des blessures.
- **N'utilisez pas la machine en la tenant au-dessus de la taille.** Cela permet d'éviter tout contact involontaire avec la lame ou l'outil de coupe, et de mieux contrôler la machine dans des situations inattendues.
- **À utiliser uniquement avec le bloc moteur de 56 V au Lithium-Ion PH1400/ PH1400-FC/PH1420/ PH1420-FC/PHX1600/PHX1600-FC.**



REMARQUE : CONSULTEZ LE MODE D'EMPLOI DE VOTRE BLOC MOTEUR POUR APPRENDRE DES RÈGLES DE SÉCURITÉ SPÉCIFIQUES SUPPLÉMENTAIRES.

CONSERVEZ CES INSTRUCTIONS !

SYMBOLES

Cette page représente et décrit les symboles qui peuvent figurer sur ce produit. Lisez, comprenez et suivez toutes les instructions figurant sur le produit avant de tenter de l'assembler et de commencer à l'utiliser.

| | | |
|--|--|--|
| | Alerte relatives à la sécurité | Précautions en liaison avec votre sécurité |
| | Lisez le mode d'emploi, et assurez-vous que vous le comprenez. | Pour réduire le risque de blessure, l'utilisateur doit lire le mode d'emploi et s'assurer qu'il le comprend avant d'utiliser ce produit. |
| | Portez toujours des lunettes de sécurité. | Portez toujours des lunettes de protection ou des lunettes de sécurité avec des écrans latéraux et un masque couvrant tout le visage lorsque vous utilisez ce produit. |
| | Portez des protecteurs d'oreilles. | Portez toujours un dispositif de protection des oreilles (protège-oreilles ou bouchons d'oreilles) pour protéger votre ouïe. |
| | Portez un casque. | Portez un casque dur de sécurité agréé pour protéger votre tête. |
| | Portez des gants. | Protégez vos mains avec des gants lorsque vous manipulez la débroussailleuse et sa lame. Des gants robustes et antidérapants améliorent votre préhension et protègent vos mains. |
| | Portez des chaussures antidérapantes. | Portez des chaussures de sécurité antidérapantes lorsque vous utilisez cet équipement. |
| | Faites attention au risque de rebond de la lame. | L'opérateur doit être conscient du risque de rebond de la lame. |

| | | |
|---|---|--|
|  | <p>Débranchez la pile avant toute opération d'entretien.</p> | <p>Alerte l'utilisateur pour qu'il débranche la pile avant toute opération d'entretien.</p> |
|  | <p>AVERTISSEMENT – Faites attention aux objets projetés – éloignez les passants.</p> | <p>Alerte les utilisateurs pour qu'ils se méfient des objets projetés - Tenez les personnes présentes à l'écart.</p> |
| <p>IP...</p> | <p>Indice de protection (IP)</p> | <p>Classifie le degré de protection fourni par une enceinte pour le matériel électrique.</p> |
| <p>V</p> | <p>Volts</p> | <p>Tension</p> |
| <p>mm</p> | <p>Millimètre</p> | <p>Longueur ou taille</p> |
| <p>cm</p> | <p>Centimètre</p> | <p>Longueur ou taille</p> |
| <p>po</p> | <p>po</p> | <p>Longueur ou taille</p> |
| <p>kg</p> | <p>Kilogramme</p> | <p>Poids</p> |
| <p>lb</p> | <p>lb</p> | <p>Poids</p> |
| <p>—</p> | <p>Courant continu</p> | <p>Type ou caractéristique du courant</p> |
| <p>tr/min</p> | <p>Tours par minute</p> | <p>Vitesse de rotation</p> |
| <p>°C</p> | <p>Degrés Celsius</p> | <p>Température</p> |
| <p>°F</p> | <p>Degrés Fahrenheit</p> | <p>Température</p> |

INTRODUCTION

Félicitations pour votre sélection de L'ATTACHEMENT DE REMODEMEUR DE MASSIFS EGO. Il a été conçu, développé et fabriqué pour vous donner le plus possible de fiabilité et la meilleure performance possible.

Si vous rencontrez un problème auquel vous ne pouvez pas remédier facilement, veuillez contacter le service à la clientèle d'EGO en téléphonant au 1-855-EGO-5656.

Ce mode d'emploi contient des informations importantes sur l'assemblage, l'utilisation et l'entretien de votre produit en toute sécurité. Lisez-le attentivement avant d'utiliser le produit. Conservez ce mode d'emploi à portée de main afin de pouvoir vous y référer à tout moment.

NUMÉRO DE SÉRIE _____ DATE D'ACHAT _____

VEUILLEZ ENREGISTRER LE NUMÉRO DE SÉRIE ET LA DATE D'ACHAT, ET LES CONSERVER DANS UN ENDROIT SÛR POUR TOUTE RÉFÉRENCE ULTÉRIEURE.

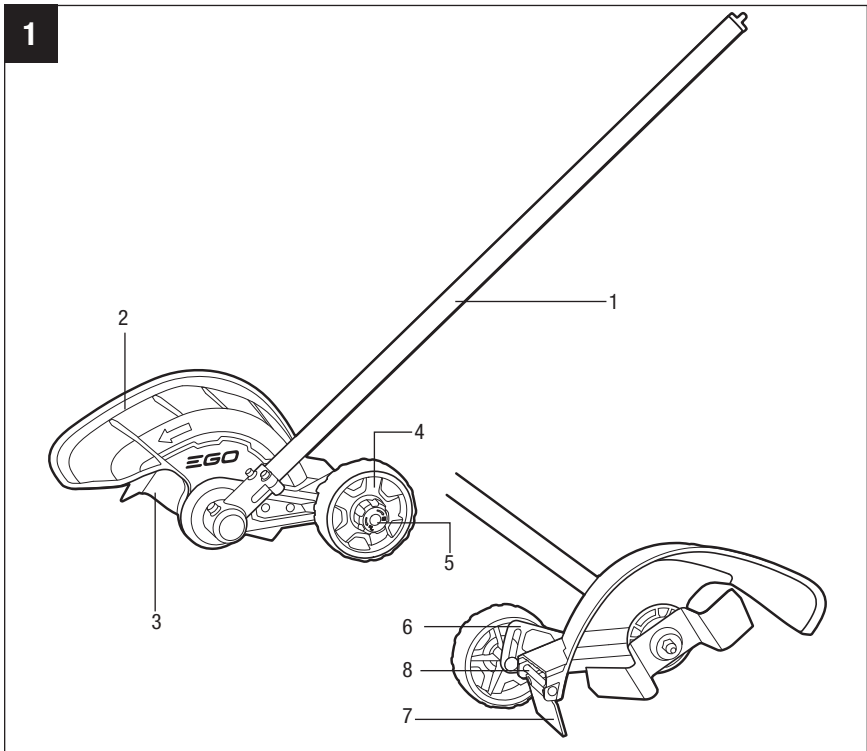
SPÉCIFICATIONS

| | |
|---|---|
| Taille de la lame | 20,9 cm / 8 po |
| Diamètre du trou de l'arbre de la lame | 2,54 cm / 1 po |
| Vitesse de coupe | 2 200/2 500 tr/min |
| Profondeur de coupe max. | 6,1 cm / 2,4 po |
| Épaisseur de la lame | 0,5 cm / 0,197 po |
| Taille de la roue de guidage | 12 cm / 4,7 po |
| Température de fonctionnement recommandée | 0 °C–40 °C / 32 °F–104 °F |
| Température de stockage recommandée | -20 °C–70 °C / -4 °F–158 °F |
| Poids | 2,8 kg / 6,2 lb |
| Indice de protection | IPX4* (Protection contre les éclaboussures d'eau) |

* **REMARQUE** : L'indice IPX4 est basé sur l'utilisation conjointe de la machine et du bloc-piles en tant que système.

DESCRIPTION

FAMILIARISEZ-VOUS AVEC VOTRE ATTACHEMENT DE REMODELEUR DE MASSIFS (Fig. 1)



- | | |
|--|--|
| 1. Arbre de l'attache | 6. Barre de guidage pour le réglage de la profondeur |
| 2. Dispositif de protection de la lame | 7. Volet de protection contre les débris |
| 3. Lame | 8. Dispositif de protection du volet de protection contre les débris |
| 4. Roue de guidage | |
| 5. Bouton de réglage de la profondeur | |

⚠ AVERTISSEMENT N'utilisez jamais la machine sans que le dispositif de protection ne soit fermement en place. L'utilisation de l'outil sans son dispositif de protection entraînera des blessures graves.

LAME

Lame métallique destinée à déplacer la terre, y compris la végétation tendre, dans le but de nettoyer et de renouveler les bordures de massifs existantes.

DISPOSITIF DE PROTECTION DE LA LAME

Réduit le risque de blessures causées par des corps étrangers projetés en direction de l'opérateur par l'attachement de coupe et par un contact avec l'attachement de coupe.

VOLET DE PROTECTION CONTRE LES DÉBRIS

Réduit le risque de blessures causées par des corps étrangers projetés en direction de l'opérateur par la lame de coupe.

BOUTON DE RÉGLAGE DE LA PROFONDEUR ET BARRE DE GUIDAGE POUR LE RÉGLAGE DE LA PROFONDEUR

Règle la profondeur de coupe.

ROUE DE GUIDAGE

Roule sur le sol et maintient la lame à la hauteur prééglée pour la profondeur de coupe requise.

ASSEMBLAGE

⚠ AVERTISSEMENT Si certaines pièces sont endommagées ou manquantes, n'utilisez pas ce produit avant que ces pièces aient été remplacées. L'utilisation de ce produit avec des pièces endommagées ou manquantes pourrait causer des blessures graves.

⚠ AVERTISSEMENT Ne tentez pas de modifier ce produit ou de créer des accessoires qu'il n'est pas recommandé d'utiliser avec ce remodeleur de massifs. Une telle altération ou modification constituerait une utilisation abusive et pourrait créer une situation dangereuse avec risque de blessures graves.

⚠ AVERTISSEMENT N'effectuez pas de réglage du dispositif de protection de la lame. Le dispositif de protection de la lame a été réglé en usine de façon à ce que la flèche sur le dispositif de protection de la lame et le côté ouvert soient orientés dans la direction opposée à l'opérateur. Les débris de la coupe et les autres objets projetés sont ainsi dirigés loin de la machine et de l'opérateur.

⚠ AVERTISSEMENT Portez toujours des gants épais lorsque vous installez ou retirez la lame, ou lorsque vous effectuez des opérations d'entretien sur la lame. Faites attention à la lame, et protégez-vous les mains pour qu'elles ne risquent pas d'être blessées par la lame.

⚠ AVERTISSEMENT Ne branchez pas dans le bloc moteur avant d'avoir terminé l'assemblage. Si vous ne respectez pas cet avertissement, vous risqueriez de causer un démarrage accidentel pouvant entraîner des blessures graves.

DÉBALLAGE

- Ce produit nécessite un assemblage.
- Retirez le produit et tous les accessoires de la boîte en prenant les précautions nécessaires. Assurez-vous que tous les articles indiqués sur la liste des pièces sont inclus.
- Inspectez attentivement la machine pour vous assurer qu'aucun dommage ou bris de pièce(s) ne s'est produit pendant le transport.
- Ne jetez pas les matériaux d'emballage avant d'avoir inspecté attentivement la machine et de l'avoir mise en marche de façon satisfaisante.
- Si une pièce quelconque est endommagée ou manquante, veuillez rapporter le produit dans le magasin où vous l'avez acheté.

LISTE DES PIÈCES

| NOM DE LA PIÈCE | QUANTITÉ |
|--------------------------------------|----------|
| Attachement de remodeleur de massifs | 1 |
| Mode d'emploi | 1 |

CONNEXION DE L'ATTACHEMENT AVEC LE BLOC MOTEUR

⚠ AVERTISSEMENT Ne fixez ou ne réglez jamais un attachement lorsque le bloc moteur est en marche ou lorsque la pile est installée. Si vous n'arrêtez pas le moteur et ne retirez pas la pile, vous risquez de vous blesser grièvement.

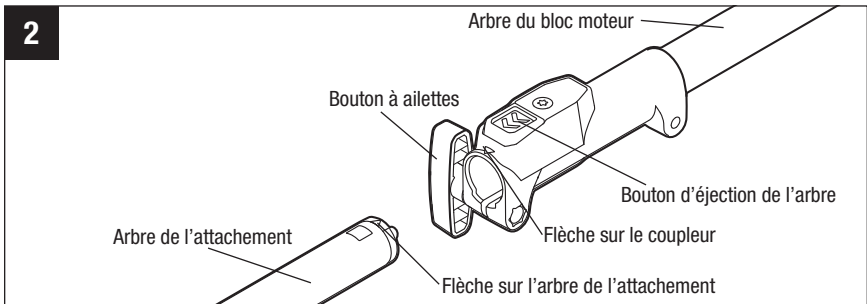
Cet attachement de remodeleur de massifs est conçu pour être utilisé uniquement avec un bloc moteur EGO PH1400/PH1400-FC/ PH1420/PH1420-FC/PHX1600/PHX1600-FC.

L'attachement de remodeleur de massifs est relié au bloc moteur au moyen d'un dispositif de couplage.

1. Arrêtez le moteur et retirez le bloc-piles.
2. Desserrez le bouton à ailettes.

3. Alignez la flèche de l'arbre de l'attache-ment sur la flèche du coupleur et poussez l'arbre de l'attache-ment dans le coupleur jusqu'à ce que vous entendiez clairement un déclic qui indique que l'arbre de l'attache-ment est monté en place (Fig. 2).
4. Tirez sur l'arbre de l'attache-ment pour vérifier qu'il est bien verrouillé dans le coupleur. Si ce n'est pas le cas, faites tourner l'arbre de l'attache-ment d'un côté à l'autre dans le coupleur jusqu'à ce qu'il s'enclenche en place.
5. Serrez à fond le bouton à ailettes.

⚠ AVERTISSEMENT Assurez-vous que le bouton à ailettes est serré à fond avant de mettre l'équipement en marche ; vérifiez-le de temps en temps pour vous assurer qu'il est bien serré pendant l'utilisation pour éviter tout risque de blessure grave.



Retrait de l'attache-ment du bloc moteur

1. Arrêtez le moteur et retirez le bloc-piles.
2. Desserrez le bouton à ailettes.
3. Appuyez sur le bouton d'éjection de l'arbre et, avec le bouton enfoncé, tirez ou tournez l'attache-ment pour le faire sortir du coupleur.

FONCTIONNEMENT

⚠ AVERTISSEMENT Ne laissez pas l'habitude de l'utilisation de ce produit vous empêcher de prendre toutes les précautions requises. N'oubliez jamais qu'une fraction de seconde d'inattention suffit pour entraîner de graves blessures.

⚠ AVERTISSEMENT Utilisez toujours un équipement de protection des yeux avec des écrans latéraux indiquant qu'il est conforme à la norme ANSI Z87.1. Si vous ne portez pas un tel dispositif de protection, vous pourriez subir des blessures graves, y compris en conséquence de la projection d'objets dans vos yeux.

⚠ AVERTISSEMENT Pour éviter tout risque de blessure grave, retirez le bloc-piles de la machine avant de le réparer ou de le nettoyer, de changer des attachements ou de retirer des matériaux de l'outil.

⚠ AVERTISSEMENT N'utilisez pas d'attachements ou d'accessoires qui ne sont pas recommandés par le fabricant de ce produit. L'utilisation d'attachements ou d'accessoires qui ne sont pas recommandés peut causer des blessures graves.

Avant chaque utilisation, inspectez périodiquement l'intégralité du produit pour vous assurer qu'il n'y a pas de pièces endommagées, manquantes ou desserrées comme des vis, des écrous, des boulons, des capuchons, etc. Serrez à fond tous les dispositifs de fixation et capuchons, et ne vous servez pas de ce produit avant que toutes les pièces manquantes ou endommagées aient été remplacées.

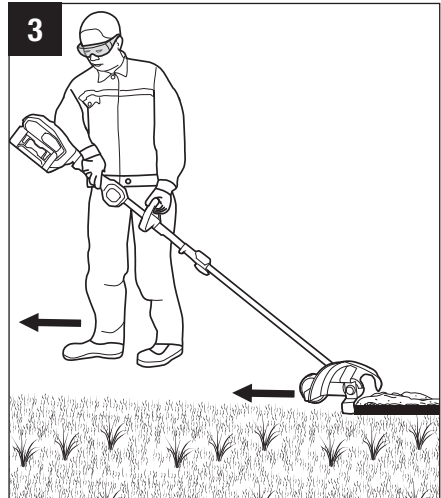
APPLICATION

Vous pouvez utiliser cette machine pour faire ce qui suit :

Pour le nettoyage et le renouvellement des bordures de massifs.

UTILISATION DE L'ATTACHEMENT AVEC UN BLOC MOTEUR

⚠ AVERTISSEMENT Habillez-vous de façon appropriée pour réduire le risque de blessure lorsque vous utilisez cette machine. Ne portez pas de bijoux ou de vêtements amples. Portez des lunettes de sécurité et, des protège-oreilles ou un autre équipement de protection de l'ouïe. Portez des pantalons longs robustes, des bottes et des gants. Ne portez pas de shorts ou de sandales, et n'utilisez pas cet outil en étant pieds nus. Portez un masque facial ou un masque de protection contre la poussière dans les endroits poussiéreux.



⚠ AVERTISSEMENT Éliminez tous les obstacles et les objets solides de la zone de travail.

⚠ AVERTISSEMENT Assurez-vous qu'il n'y a pas de câbles ou de lignes de services publics enterrés dans la zone de travail prévue avant d'utiliser le remodeleur de massifs. Le fait de couper des câbles ou des lignes de services publics enterrés peut causer des blessures graves.

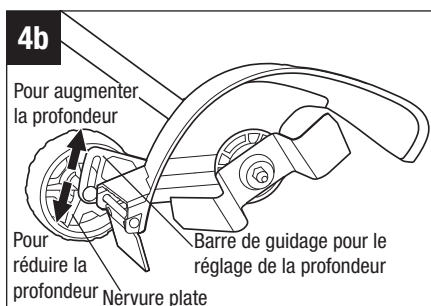
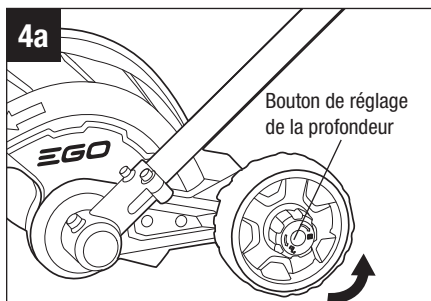
Tenez la machine avec votre main droite placée sur la poignée arrière et votre main gauche sur la poignée d'assistance avant. Gardez une prise ferme avec les deux mains pendant l'utilisation de la machine. Tenez la machine dans une position confortable, avec la poignée arrière approximativement à la hauteur de la hanche (Fig. 3). Travaillez dans le sens de la flèche, en tirant plutôt qu'en poussant l'outil. Observez attentivement le bord du massif et le sens de la marche.

⚠ AVERTISSEMENT Restez concentré(e) sur le sens de la marche et sur la tête de coupe lorsque vous utilisez le remodeleur de massifs, tout en vous assurant qu'aucun enfant, une autre personne présente ou un animal ne pénètre dans la zone de travail pendant l'utilisation de l'outil. N'oubliez jamais qu'une fraction de seconde d'inattention suffit pour entraîner de graves blessures, voire la mort.

RÉGLAGE DE LA PROFONDEUR DE COUPE

Le réglage de la roue ne modifie pas explicitement la profondeur de la lame. La profondeur de coupe en plongée de la lame est contrôlée par l'opérateur. La procédure suivante doit être utilisée pour trouver le point de référence de la profondeur de coupe zéro en fonction de votre taille et de la position de préhension:

1. Arrêtez le moteur et retirez le bloc-piles.
2. Desserrez le bouton de réglage de la profondeur dans le sens de la flèche de déverrouillage marquée sur le bouton (Fig.4a).
3. Déplacez la roue de guidage, le long de la barre de guidage pour le réglage de la profondeur, vers le haut pour augmenter la profondeur de coupe ou vers le bas pour la réduire (Fig. 4b).
4. Serrez fermement le bouton de réglage de la profondeur dans le sens des aiguilles d'une montre, dans le sens de la flèche de verrouillage marquée sur le bouton.
5. En vous tenant dans votre position normale de travail, vérifiez à nouveau la profondeur de coupe et corrigez-la si nécessaire.

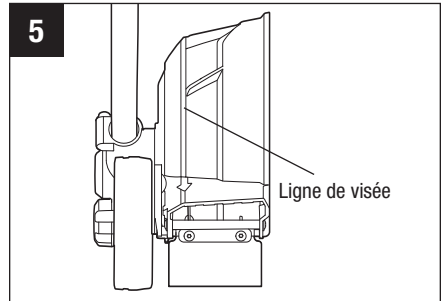


MISE EN MARCHÉ/ARRÊT DE LA MACHINE

Voir la section intitulée « **MISE EN MARCHÉ/ARRÊT DU BLOC MOTEUR** » dans le mode d'emploi du bloc moteur PH1400/PH1400-FC/PH1420/PH1420-FC/PHX1600/PHX1600-FC.

CONSEILS POUR L'UTILISATION

- Tenez et guidez le bloc moteur de manière à ce que la lame soit verticale.
- Ne dépassez pas un rythme de marche normal pendant que vous utilisez l'équipement.
- Il est recommandé d'effectuer plusieurs passes, en augmentant légèrement la profondeur de coupe à chaque passe jusqu'à ce que la profondeur de coupe souhaitée soit atteinte. Il est recommandé de ne pas utiliser des incréments de profondeur supérieurs à 1 po, en fonction des conditions du sol et de l'état de la bordure actuelle du massif.
- Évitez d'utiliser l'équipement sur un sol ou un gazon humide.
- Poussez l'outil à un rythme régulier. Si la lame commence à s'enliser, ralentissez la vitesse de coupe.
- Ne forcez pas la lame dans le sol.
- Utilisez la ligne de visée pour aligner la lame sur le bord du massif (Fig. 5).



ENTRETIEN

⚠ AVERTISSEMENT Lors de toute réparation, n'utilisez que des pièces de rechange identiques. L'utilisation de toutes autres pièces de rechange pourrait créer un danger ou endommager le produit. Pour assurer la sécurité et la fiabilité, toutes les réparations doivent être effectuées par un technicien de service qualifié.

⚠ AVERTISSEMENT Il n'est pas nécessaire de brancher les outils alimentés par des piles dans une prise de courant ; ils sont toujours en état de fonctionnement. Pour éviter tout risque de blessure grave, prenez des précautions supplémentaires lorsque vous effectuez une opération d'entretien ou de maintenance, ou lorsque vous changez l'attachement de coupe ou d'autres attachements.

⚠ AVERTISSEMENT Pour éviter toute blessure grave, retirez le bloc-piles du bloc moteur avant de procéder à l'entretien, au nettoyage ou au changement d'attachements complémentaires, ou lorsque la machine n'est pas utilisée.

MAINTENANCE GÉNÉRALE

Évitez d'utiliser des solvants lorsque vous nettoyez des pièces en plastique. La plupart des plastiques sont susceptibles d'être endommagés par divers types de solvants commerciaux, et ils pourraient l'être si vous les utilisez. Utilisez des chiffons propres pour retirer les saletés, la poussière, l'huile, la graisse, etc.

⚠ AVERTISSEMENT Ne laissez jamais de liquide de frein, d'essence, de produits à base de pétrole, d'huiles pénétrantes, etc. entrer en contact avec des composants en plastique. Les produits chimiques peuvent endommager, affaiblir ou détruire le plastique, ce qui pourrait causer des blessures graves.

⚠ AVERTISSEMENT Lorsque vous nettoyez l'attachement de remodeleur de massifs, ne l'immergez PAS dans de l'eau ou dans d'autres liquides.

NETTOYAGE DE L'ÉQUIPEMENT

- Après chaque utilisation, retirez la pile et nettoyez les débris, les saletés accumulées ou l'herbe se trouvant sur la lame et le dispositif de protection à l'aide d'une brosse douce. Essuyez la surface du coupe-bordure avec un chiffon propre humidifié avec une solution de savon doux.

- Utilisez une petite brosse ou un petit aspirateur pour nettoyer les événements d'aération sur le logement arrière.
- Assurez-vous que les événements d'aération ne sont jamais bouchés.

Toutes les interventions de maintenance autres que celles qui sont mentionnées dans les présentes instructions d'entretien doivent être effectuées par un technicien qualifié.

REPLACEMENT DE LA LAME

⚠ AVERTISSEMENT N'essayez pas de redresser ou de souder une lame tordue ou fissurée. Une telle lame peut se briser et doit être remplacée. Remplacez uniquement par la lame EGO pour remodeleur de massifs.

AVIS Remplacez la lame si sa longueur n'est plus suffisante pour maintenir la distance nécessaire par rapport au sol et obtenir la profondeur de coupe requise.

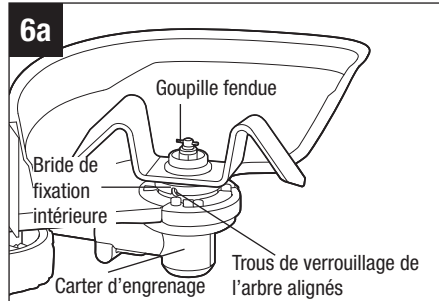
⚠ AVERTISSEMENT Protégez-vous toujours les mains en portant des gants épais ou en enveloppant la lame avec des chiffons ou d'autres matériaux lorsque vous effectuez des opérations de maintenance sur la lame.

Outils nécessaires :

- pince à bec effilé (non fournie)
- clé Allen de 4 mm (non fournie)
- clé à douille profonde de 15 mm (non fournie)

Retrait de la lame

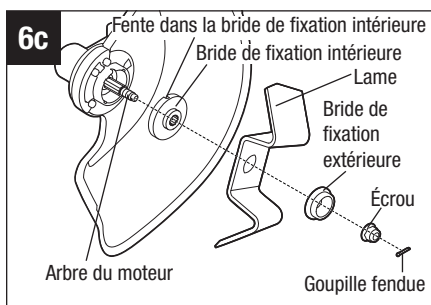
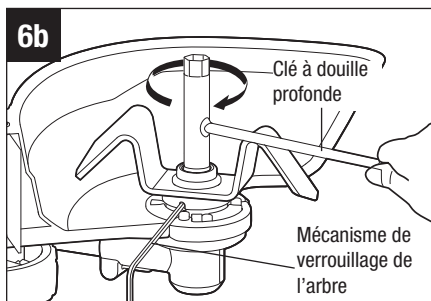
1. Arrêtez le moteur et retirez le bloc-piles.
2. Posez la machine sur son dos de manière à ce que la lame soit orientée vers le haut.
3. Portez des gants de protection. Utilisez la pince à bec effilé pour retirer la goupille fendue de l'arbre du moteur (Fig. 6a).
4. Faites tourner la lame pour aligner la fente de la bride de fixation sur le trou dans la boîte de vitesses (Fig. 6a).



5. Insérez la clé Allen dans les trous alignés afin qu'elle serve de stabilisateur de l'arbre. Utilisez la clé à douille profonde pour desserrer l'écrou **DANS LE SENS DES AIGUILLES D'UNE MONTRE** (Fig. 6b).

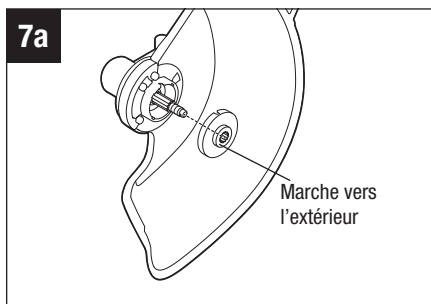
REMARQUE : Filetage à gauche. L'écrou est desserré dans le sens inverse du filetage conventionnel à droite.

6. Retirez l'écrou, la bride de fixation extérieure, la lame et la bride de fixation intérieure de l'arbre du moteur (Fig. 6c). Inspectez-les et remplacez-les s'ils sont usés.



Installation de la lame

1. Placez la bride de fixation intérieure retirée lors de l'étape 6 de la section intitulée « Retrait de la lame » sur l'arbre du moteur, avec la marche de la bride de fixation intérieure tournée vers l'extérieur (Fig. 7a).
2. Installez la nouvelle lame sur la bride de fixation intérieure.



⚠ AVERTISSEMENT La

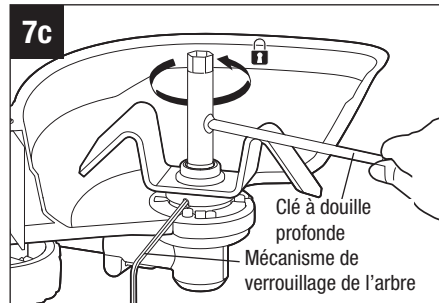
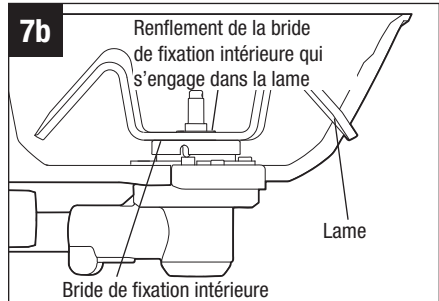
marche de la bride de fixation intérieure doit s'engager dans le trou de montage de la lame (Fig. 7b). Il ne doit pas y avoir d'espace entre la lame et la surface plate de la bride de fixation intérieure.

- Montez la bride de fixation extérieure et l'écrou sur l'arbre, et serrez l'écrou initialement à la main dans le SENS CONTRAIRE DES AIGUILLES D'UNE MONTRE.

REMARQUE : Filetage à gauche. L'écrou est serré dans le sens inverse du filetage conventionnel à droite.

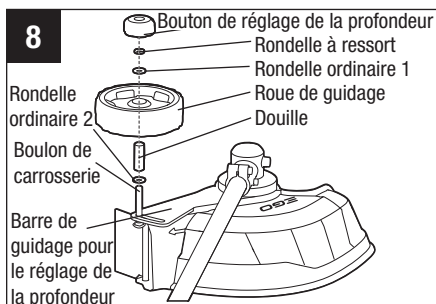
- Faites tourner la lame pour aligner la fente de la bride de fixation sur le trou dans la boîte de vitesses (Fig. 6a).
- Insérez la clé Allen dans les trous alignés afin qu'elle serve de stabilisateur de l'arbre. Utilisez la clé à douille profonde pour serrer l'écrou dans le SENS CONTRAIRE DES AIGUILLES D'UNE MONTRE en le sécurisant sur l'arbre (Fig. 7c).

- Insérez une nouvelle goupille fendue dans le trou de l'arbre du moteur. Pliez les deux pieds de la goupille dans des directions opposées à l'aide de la pince à bec effilé (non fournie) (Fig. 6a).



REPLACEMENT DE LA ROUE DE GUIDAGE

1. Arrêtez le moteur et retirez le bloc-piles.
2. Posez la machine sur son dos de manière à ce que la roue de guidage soit orientée vers le haut.
3. Desserrez le bouton de réglage de la profondeur dans le sens de la flèche de déverrouillage marquée sur le bouton et retirez-le.
4. Retirez la rondelle à ressort, la rondelle ordinaire 1, la roue de guidage, la douille et la rondelle ordinaire 2 du boulon de carrosserie (Fig. 8). Inspectez-les et remplacez-les si elles sont usées.
5. Montez d'abord le boulon de carrosserie à travers la barre de guidage pour le réglage de la profondeur, puis la rondelle ordinaire 2, la douille et la roue neuve, puis montez la rondelle ordinaire 1, la rondelle à ressort et le bouton de réglage de la profondeur sur le boulon de carrosserie dans l'ordre indiqué à la Fig. 8.



AVIS La roue de guidage doit être montée avec ses nervures plates tournées vers l'intérieur (Fig. 4b).

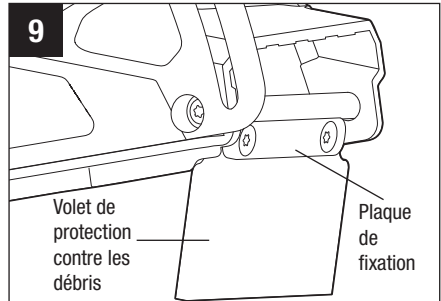
6. Verrouillez le bouton de réglage de la profondeur dans le sens de la flèche de verrouillage marquée sur le bouton.

REPLACEMENT DU VOLET DE PROTECTION CONTRE LES DÉBRIS

Outil nécessaire :

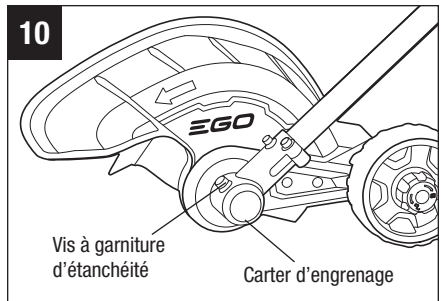
- Tournevis torx T20 (non fourni)

1. Arrêtez le moteur et retirez le bloc-piles.
2. Utilisez le tournevis torx T20 pour desserrer les deux vis situées sur la partie supérieure du volet de protection contre les débris, et retirez la plaque de fixation.
3. Utilisez le tournevis Torx T20 pour desserrer les vis situées de part et d'autre du volet de protection contre les débris, et retirez le volet de protection contre les débris usé.
4. Remplacez par le nouveau volet de protection contre les débris, réinstallez et serrez les vis des côtés et du haut.



LUBRIFICATION DES ENGRENAGES DE TRANSMISSION

Les engrenages de transmission du carter d'engrenage doivent être lubrifiés périodiquement avec de la graisse à engrenages. Vérifiez le niveau de graisse du carter d'engrenage environ toutes les 50 heures de fonctionnement en retirant la vis de couverture sur le côté du cache.



Si vous ne voyez pas de graisse sur les côtés du carter d'engrenage, suivez les étapes ci-dessous pour remplir de graisse le carter d'engrenage jusqu'aux 3/4 de sa capacité.

Ne remplissez pas complètement le carter d'engrenage.

Outils nécessaires :

- clé Allen de 5 mm (non fournie)
- 1. Positionnez la machine verticalement de façon que la vis à garniture d'étanchéité soit orientée vers le haut (Fig. 10).
- 2. Utilisez la clé Allen de 5 mm (non fournie) pour desserrer et retirer la vis à garniture d'étanchéité.
- 3. Utilisez un pistolet à graisse (non inclus) pour injecter de la graisse par le trou de la vis ; ne dépassez pas les 3/4 de la capacité.
- 4. Serrez la vis de couverture après l'injection.

RANGEMENT DE L'ÉQUIPEMENT

- Détachez le bloc-piles de la machine.
- Nettoyez soigneusement la machine avant de la ranger.
- Rangez l'équipement dans un endroit sec et bien aéré, hors de portée des enfants. Ne rangez pas cet équipement sur des engrais, de l'essence ou d'autres produits chimiques, ou à proximité de ceux-ci.

RECHERCHE DE LA CAUSE DES PROBLÈMES

| PROBLÈME | CAUSE | SOLUTION |
|---|---|--|
| Le moteur ne démarre pas. | <ul style="list-style-type: none"> ■ Le bloc-piles n'est pas attaché au bloc moteur. ■ Il n'y a pas de contact électrique entre le bloc moteur et le bloc-piles. ■ Les piles du bloc-piles sont déchargées. ■ Le levier de verrouillage en position désactivée et la gâchette ne sont pas enfoncés en même temps. | <ul style="list-style-type: none"> ■ Attachez le bloc-piles au bloc moteur. ■ Retirez la pile, inspectez les contacts et réinstallez le bloc-piles jusqu'à ce qu'il s'enclenche. ■ Chargez le bloc-piles avec un chargeur EGO indiqué dans ce mode d'emploi. ■ Appuyez sur le bouton de verrouillage en position désactivée et maintenez-le enfoncé, puis appuyez sur la gâchette pour mettre la machine en marche. |
| Le bloc moteur s'arrête en cours de fonctionnement. | <ul style="list-style-type: none"> ■ Le moteur est en état de surcharge. ■ Le bloc-piles ou le bloc moteur est trop chaud. ■ Le bloc-piles est déconnecté de la machine. ■ Les piles du bloc-piles sont déchargées. | <ul style="list-style-type: none"> ■ Le moteur pourra recommencer à fonctionner dès que la charge aura été retirée. Pour pouvoir continuer à travailler sans interruption, réduisez la charge sur l'ensemble moteur. ■ Laissez le bloc-piles ou le bloc moteur refroidir jusqu'à ce que la température descende en dessous de 67 °C / 152 °F. ■ Réinstallez le bloc-piles. ■ Chargez le bloc-piles avec un chargeur EGO indiqué dans ce mode d'emploi. |

GARANTIE LIMITÉE D'EGO

CONDITIONS ET DURÉE DE LA POLITIQUE DE GARANTIE

Chervon North America, Inc. (« Chervon North America, Naperville, IL 60563 ») accorde la Garantie limitée suivante pour les produits EGO à l'acheteur initial de produits EGO.

La période de garantie détaillée de chaque produit EGO est indiquée en ligne à l'adresse <http://egopowerplus.com/warranty-policy>.

Veillez contacter le Service à la clientèle d'EGO en téléphonant au 1-855-EGO-5656 (appel gratuit) à tout moment en cas de questions, si vous voulez vous prévaloir de la garantie.

GARANTIE LIMITÉE DE SERVICE APRÈS-VENTE

Les produits EGO sont garantis contre tout défaut de matériel ou de fabrication à partir de la date d'achat au détail originale et pendant la période de garantie applicable.

Pour toute demande de garantie soumise correctement et dans les délais, si Chervon North America détermine qu'un produit est défectueux pendant la période de garantie, le produit sera réparé ou remplacé gratuitement, selon ce qui aura été déterminé par Chervon North America.

COMMENT OBTENIR DE L'ASSISTANCE DANS LE CADRE DU SERVICE APRÈS-VENTE

Pour obtenir de l'assistance dans le cadre de la garantie (pendant la période de garantie applicable), veuillez contacter le service à la clientèle d'EGO en téléphonant au **1-855-EGO-5656** (appel gratuit). Lorsque vous demandez de l'assistance dans le cadre de la garantie, vous devez présenter le reçu de vente original daté. Un centre de service après-vente agréé sera sélectionné pour évaluer et réparer le produit défectueux conformément aux conditions de garantie énoncées. Lorsque vous apportez votre produit au centre de service après-vente agréé, il se peut qu'une petite caution vous soit demandée lors du dépôt de votre outil. Cette caution est remboursable lorsque le service de réparation est considéré comme étant couvert par la garantie. Il incombe à l'acheteur d'effectuer le transport de tous les équipements électriques d'extérieur ou attachements à ses frais.

LIMITATIONS ET EXCLUSIONS SUPPLÉMENTAIRES

Cette garantie limitée ne s'applique qu'à l'acheteur initial d'un produit à un revendeur agréé EGO, et elle ne peut pas être cédée. Les produits EGO ne sont pas considérés comme défectueux et la présente garantie ne s'applique pas lorsque le défaut invoqué est imputable à une cause autre que les défauts définis ci-dessus. Cette garantie est nulle et non avenue si le produit a été utilisé à des fins de location. La présente garantie ne s'applique pas aux dommages causés par un accident, un abus, une mauvaise utilisation, une altération, une modification, une réparation non autorisée, un contact avec un liquide, un incendie, un tremblement de terre ou toute autre cause externe ; par une utilisation du produit en dehors des instructions, spécifications ou directives d'EGO ; ou par un manquement à l'entretien ou à la maintenance convenable du produit. Cette garantie ne s'applique pas non plus aux dommages esthétiques, y compris, mais sans s'y limiter, les rayures ou les bosses, ainsi qu'aux défauts causés par l'usure normale ou autrement dus au vieillissement normal du produit.

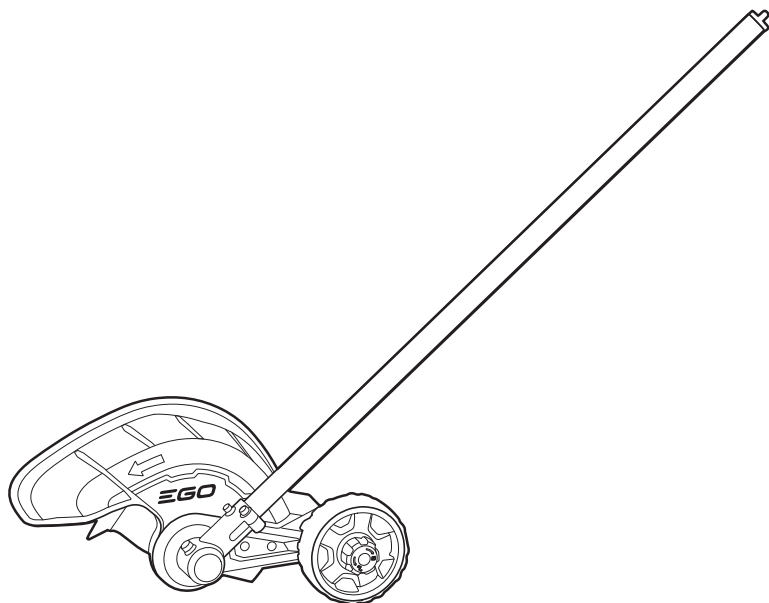
CETTE GARANTIE EXPRESSE EST DONNÉE EN LIEU ET PLACE DE TOUTE AUTRE GARANTIE, EXPRESSE OU IMPLICITE, Y COMPRIS, MAIS SANS S'Y LIMITER, TOUTE GARANTIE DE QUALITÉ MARCHANDE OU D'ADÉQUATION À UN USAGE PARTICULIER, QUI EST REJETÉE. Toute garantie implicite, y compris la garantie de qualité marchande ou d'adéquation à un usage particulier qui ne peut être rejetée en vertu de la loi de l'État ou de la province est limitée à la période de garantie applicable définie au début de cet article. Le seul et unique recours en rapport avec l'achat, l'installation, l'utilisation et/ou la performance des produits EGO est la réparation ou le remplacement du produit selon la décision de Chervon North America. La responsabilité maximale de Chervon North America ne dépassera en aucun cas le prix d'achat payé pour le produit. CHERVON NORTH AMERICA NE SERA PAS RESPONSABLE ENVERS L'UTILISATEUR OU TOUTE AUTRE PERSONNE DES DOMMAGES CONSÉCUTIFS, ACCIDENTELS, SPÉCIAUX, EXEMPLAIRES, INDIRECTS OU PUNITIFS RÉSULTANT DE L'UTILISATION DES PRODUITS, Y COMPRIS, MAIS SANS S'Y LIMITER, LES PRÉJUDICES CORPORELS, LA MORT, LES DOMMAGES MATÉRIELS, LA PERTE DE BÉNÉFICES OU TOUT AUTRE DOMMAGE ÉCONOMIQUE. Cette garantie vous confère des garanties juridiques particulières, et vous pouvez aussi avoir d'autres droits, qui varient selon l'État ou la province. Étant donné que certains États et certaines provinces ne permettent pas de limitations quant à la durée d'une garantie implicite ou ne permettent pas l'exclusion ou la limitation des dommages indirects ou secondaires, ou le délai de prescription pour intenter certaines actions, il est possible que les limitations contenues aux présentes ne s'appliquent pas à consommateurs dans ces États ou provinces.



Cette garantie est soumise au droit du Michigan et doit être interprétée conformément au droit du Michigan sans tenir compte des principes de conflits de lois. Aucune action en justice ne pourra être intentée contre Chervon North America si elle n'est pas déposée dans un délai d'un (1) an après que le fondement de cette action en justice aura été connu, ou qu'il aurait dû l'être si une diligence raisonnable avait été exercée. Toute action non intentée dans les délais est réputée abandonnée.

Pour le service à la clientèle, contactez-nous en téléphonant au numéro suivant (appel gratuit) : **1-855-EGO-5656** ou **EGOPOWERPLUS.COM**.
EGO Customer Service,
769 Seward Ave. NW, Suite 102,
Grand Rapids, Michigan 49504.

EGO™



MANUAL DEL OPERADOR

ADITAMENTO DE REDEFINIDORA DE LECHOS

NÚMERO DE MODELO BRA0820/BRA0820-FC

⚠ ADVERTENCIA: Para reducir el riesgo de lesiones, el usuario debe leer y comprender el Manual del propietario antes de usar este producto. Guarde estas instrucciones para referencia futura.

¡LEA TODAS LAS INSTRUCCIONES!



LEA Y ENTIENDA
EL MANUAL DEL OPERADOR

ÍNDICE

| | |
|--|-------|
| Símbolos de seguridad | 69 |
| Instrucciones generales de seguridad..... | 70-74 |
| Instrucciones de seguridad para la redefinidora de lechos..... | 74-76 |
| Símbolos | 77-78 |
| Introducción..... | 79 |
| Especificaciones | 80 |
| Descripción | 81-82 |
| Ensamblaje | 83-85 |
| Utilización | 86-89 |
| Mantenimiento..... | 90-96 |
| Resolución de problemas | 97 |
| Garantía Limitada de EGO | 98-99 |

SÍMBOLOS DE SEGURIDAD

El propósito de los símbolos de seguridad es atraer la atención del usuario hacia posibles peligros. Los símbolos de seguridad y las explicaciones que los acompañan merecen que usted preste una atención detenida y logre una comprensión profunda. Las advertencias con símbolo no eliminan por sí mismas ningún peligro. Las instrucciones y las advertencias que dichas instrucciones dan no son sustitutos de las medidas adecuadas de prevención de accidentes.

⚠ ADVERTENCIA Asegúrese de leer y entender todas las instrucciones de seguridad incluidas en este manual del operador, incluyendo todos los símbolos de alerta de seguridad, tales como “**PELIGRO**”, “**ADVERTENCIA**” y “**PRECAUCIÓN**”, antes de utilizar esta máquina. Si no se siguen todas las instrucciones que se indican a continuación, es posible que el resultado sea descargas eléctricas, incendio y/o lesiones corporales graves.

| | |
|--|---|
| Las definiciones que aparecen a continuación describen el nivel de gravedad de cada palabra de aviso. Por favor, lea el manual y preste atención a estos símbolos. | |
| | Este es el símbolo de alerta de seguridad. Se utiliza para alertarle a usted de peligros potenciales de lesiones corporales. Obedezca todos los mensajes de seguridad que sigan a este símbolo para evitar posibles lesiones o la muerte. |
| ⚠ PELIGRO | PELIGRO indica una situación peligrosa que, si no se evita, causará la muerte o lesiones graves. |
| ⚠ ADVERTENCIA | ADVERTENCIA indica una situación peligrosa que, si no se evita, podría causar la muerte o lesiones graves. |
| ⚠ PRECAUCIÓN | PRECAUCIÓN, utilizada con el símbolo de alerta de seguridad, indica una situación peligrosa que, si no se evita, causará lesiones leves o moderadas. |

MENSAJES DE PREVENCIÓN DE DAÑOS E INFORMACIÓN

Estos mensajes ofrecen al usuario información y/o instrucciones importantes que, si no se siguen, podrían causar daños al equipo u otros daños materiales. Cada mensaje va precedido por la palabra “**AVISO**”, como en el ejemplo que aparece a continuación:

AVISO Si no se siguen estas instrucciones, es posible que se produzcan daños al equipo y/o daños materiales.

INSTRUCCIONES GENERALES DE SEGURIDAD

⚠ ADVERTENCIA Lea todas las advertencias de seguridad, instrucciones, ilustraciones y especificaciones suministradas con esta máquina. Si no se siguen todas las instrucciones que se indican a continuación, es posible que el resultado sea descargas eléctricas, incendio y/o lesiones graves.

Guarde todas las advertencias e instrucciones para referencia futura.

El término “máquina” que se incluye en las advertencias se refiere a su máquina alimentada por la red eléctrica (alámbrica) o a su máquina alimentada por baterías (inalámbrica).

SEGURIDAD EN EL ÁREA DE TRABAJO

- **Mantenga el área de trabajo limpia y bien iluminada.** Las áreas desordenadas u oscuras invitan a que se produzcan accidentes.
- **No utilice máquinas en atmósferas explosivas, tales como las existentes en presencia de líquidos, gases o polvos inflamables.** Las máquinas generan chispas que es posible que prendan los polvos o los vapores.
- **Mantenga a los niños y a las personas presentes alejados mientras esté utilizando una máquina.** Las distracciones pueden hacer que usted pierda el control.

SEGURIDAD ELÉCTRICA

- **Los enchufes de las máquinas deben coincidir con el tomacorriente. No modifique nunca el enchufe de ninguna manera. No utilice enchufes adaptadores con máquinas conectadas a tierra (puestas a masa).** Los enchufes sin modificar y los tomacorrientes coincidentes reducirán el riesgo de descargas eléctricas.
- **Evite el contacto del cuerpo con superficies conectadas a tierra o puestas a masa, tales como tuberías, radiadores, estufas de cocina y refrigeradores.** Hay un mayor riesgo de descargas eléctricas si el cuerpo del operador está conectado a tierra o puesto a masa.
- **No utilice la máquina bajo la lluvia o en condiciones mojadas.** Es posible que la entrada de agua en una máquina aumente el riesgo de descargas eléctricas

o funcionamiento incorrecto, lo cual podría tener como resultado lesiones corporales.

- **No maltrate el cable. No utilice nunca el cable para transportar, jalar o desenchufar la máquina. Mantenga el cable alejado del calor, el aceite, los bordes afilados o las piezas móviles.** Los cables dañados o enredados aumentan el riesgo de descargas eléctricas.
- **Cuando utilice una máquina a la intemperie, utilice un cable de extensión adecuado para uso a la intemperie.** La utilización de un cable adecuado para uso a la intemperie reduce el riesgo de descargas eléctricas.
- **Si es inevitable utilizar una máquina en un lugar húmedo, use una fuente de alimentación protegida por un interruptor de circuito accionado por corriente de pérdida a tierra (GFCI, por sus siglas en inglés).** El uso de un GFCI reduce el riesgo de descargas eléctricas.

SEGURIDAD PERSONAL

- **Manténgase alerta, fíjese en lo que está haciendo y use el sentido común cuando utilice una máquina. No utilice una máquina mientras esté cansado o bajo la influencia de drogas, alcohol o medicamentos** Es posible que un momento de desatención mientras se estén utilizando máquinas cause lesiones corporales graves.
- **Utilice equipo de protección personal.** Use siempre protección ocular. Los equipos de protección, tales como una máscara antipolvo, zapatos de seguridad antideslizantes, casco o protección de la audición, utilizados según lo requieran las condiciones, reducirán las lesiones corporales.
- **Prevenga los arranques accidentales. Asegúrese de que el interruptor esté en la posición de apagado antes de conectar la máquina a una fuente de alimentación y/o a un paquete de batería, levantar la máquina o transportarla.** Si se transportan máquinas con el dedo en el interruptor o si se suministra corriente a máquinas que tengan el interruptor en la posición de encendido se invita a que se produzcan accidentes.
- **Retire todas las llaves de ajuste o de tuerca antes de encender la máquina.** Es posible que una llave de tuerca o de ajuste que se deje sujeta a una pieza móvil de la máquina cause lesiones corporales.
- **No intente alcanzar demasiado lejos. Mantenga un apoyo de los pies y un equilibrio adecuados en todo momento.** Esto permite un mejor control de la máquina en situaciones inesperadas.

- **Vístase adecuadamente. No se ponga ropa holgada ni joyas. Mantenga el pelo y la ropa alejados de las piezas móviles.** La ropa holgada, las joyas o el pelo largo pueden quedar atrapados en las piezas móviles.
- **Si se proporcionan dispositivos para la conexión de instalaciones de extracción y recolección de polvo, asegúrese de que dichas instalaciones estén conectadas y se utilicen correctamente.** El uso de dispositivos de recolección de polvo puede reducir los peligros relacionados con el polvo.
- **No deje que la familiaridad obtenida con el uso frecuente de las máquinas le permita volverse complaciente e ignorar los principios de seguridad de las máquinas.** Una acción descuidada puede causar lesiones graves en una fracción de segundo.

USO Y CUIDADO DE LAS MÁQUINAS

- **No fuerce la máquina. Utilice la máquina eléctrica correcta para la aplicación que vaya a realizar.** La máquina correcta realizará el trabajo mejor y de manera más segura a la capacidad nominal para la que fue diseñada.
- **No utilice la máquina si el interruptor no la enciende y apaga.** Cualquier máquina que no se pueda controlar con el interruptor es peligrosa y debe ser reparada.
- **Desconecte el enchufe de la fuente de alimentación y/o retire el paquete de batería de la máquina, si es retirable, antes de hacer cualquier ajuste, cambiar accesorios o almacenar máquinas.** Dichas medidas preventivas de seguridad reducen el riesgo de arrancar accidentalmente la máquina.
- **Almacene las máquinas inactivas fuera del alcance de los niños y no permita que las personas que no estén familiarizadas con la máquina o con estas instrucciones utilicen la máquina.** Las máquinas son peligrosas en manos de los usuarios que no hayan recibido capacitación.
- **Realice mantenimiento de las máquinas y los accesorios. Compruebe si hay desalineación o atoramiento de las piezas móviles, rotura de piezas y cualquier otra situación que pueda afectar al funcionamiento de la máquina. Si la máquina está dañada, haga que la reparen antes de utilizarla.** Muchos accidentes son causados por máquinas que reciben un mantenimiento deficiente.
- **Mantenga las máquinas de corte afiladas y limpias.** Las máquinas de corte mantenidas adecuadamente, con bordes de corte afilados, tienen menos probabilidades de atorarse y son más fáciles de controlar.

- **Utilice la máquina eléctrica, los accesorios, las brocas de la máquina, etc., de acuerdo con estas instrucciones, teniendo en cuenta las condiciones de trabajo y el trabajo que se vaya a realizar.** El uso de la máquina para operaciones distintas a las previstas podría causar una situación peligrosa.
- **Mantenga los mangos y las superficies de agarre secos, limpios y libres de aceite y grasa.** Los mangos resbalosos y las superficies de agarre resbalosas no permiten un manejo y un control seguros de la máquina en situaciones inesperadas.

USO Y CUIDADO DE LAS MÁQUINAS A BATERÍA

- **Realice las recargas solo con el cargador especificado por el fabricante.** Es posible que un cargador que sea adecuado para un tipo de paquete de batería cree un riesgo de incendio cuando se utilice con otro paquete de batería.
- **Utilice las máquinas solo con los paquetes de batería designados específicamente.** Es posible que el uso de cualquier otro paquete de batería cree un riesgo de lesiones e incendio.
- **Cuando el paquete de batería no se esté utilizando, manténgalo alejado de otros objetos metálicos, tales como clips sujetapapeles, monedas, llaves, clavos, tornillos u otros objetos metálicos pequeños que puedan hacer una conexión de un terminal con otro.** Si se cortocircuitan juntos los terminales de la batería, es posible que se causen quemaduras o un incendio.
- **En condiciones abusivas, es posible que se expulse líquido de la batería; evite el contacto. Si se produce contacto accidentalmente, enjuáguese con agua. Si entra líquido en contacto con los ojos, busque adicionalmente ayuda médica.** Es posible que el líquido expulsado de la batería cause irritación o quemaduras.
- **No utilice un paquete de batería o una máquina que estén dañados o modificados.** Es posible que las baterías dañadas o modificadas exhiban un comportamiento imprevisible que cause un incendio, una explosión o riesgo de lesiones.
- **No exponga un paquete de batería o una máquina a un fuego o a una temperatura excesiva.** Es posible que la exposición a un fuego o a una temperatura superior a 265 °F (130 °C) cause una explosión.
- **Siga todas las instrucciones de carga y no cargue el paquete de batería ni la máquina fuera del intervalo de temperatura especificado en las instrucciones.** Es posible que la realización de la carga de manera inadecuada o a temperaturas que estén fuera del intervalo especificado dañe la batería y aumente el riesgo de incendio.

SERVICIO DE AJUSTES Y REPARACIONES

- **Haga que su máquina reciba servicio de ajustes y reparaciones por un técnico de reparaciones calificado que utilice únicamente piezas de repuesto idénticas.** Esto garantizará que se mantenga la seguridad de la máquina.
- **No haga nunca servicio de ajustes y reparaciones de paquetes de batería dañados.** El servicio de ajustes y reparaciones de los paquetes de batería deberá ser realizado solo por el fabricante o por proveedores de servicio autorizados.

INSTRUCCIONES DE SEGURIDAD PARA LA REDEFINIDORA DE LECHOS

- **No utilice la máquina en malas condiciones climáticas, especialmente cuando haya riesgo de rayos.** Esto reduce el riesgo de ser alcanzado por rayos.
- **Inspeccione minuciosamente el área para comprobar si hay animales salvajes en el lugar donde se vaya a utilizar la máquina.** Es posible que los animales salvajes sean lesionados por la máquina durante su utilización.
- **Inspeccione minuciosamente el área donde se va a utilizar la máquina y retire todas las piedras, palos, alambres, huesos y otros objetos extraños.** Los objetos lanzados al aire pueden causar lesiones corporales.
- **Antes de utilizar la máquina, inspeccione siempre visualmente el cortador, la cuchilla y/o el ensamblaje de la cuchilla para comprobar que no están dañados.** Es posible que las piezas dañadas aumenten el riesgo de lesiones.
- **Siga las instrucciones para cambiar accesorios.** Si las tuercas o los pernos que sujetan la cuchilla están apretados incorrectamente, es posible que dañen la cuchilla o hagan que esta se desprenda.
- **Use protección ocular, de oídos, de la cabeza y de las manos.** El equipo de protección adecuado reducirá las lesiones corporales por causa de residuos lanzados al aire o contacto accidental con el hilo de corte o la cuchilla.
- **Mientras esté utilizando la máquina, use siempre calzado de seguridad.** No utilice la máquina cuando esté descalzo o usando sandalias abiertas. Esto reduce la posibilidad de lesiones en los pies por causa del contacto con la cuchilla en movimiento.

- **Mientras esté utilizando la máquina, use siempre pantalones largos.** La piel al descubierto aumenta la posibilidad de lesiones por causa de objetos lanzados al aire.
- **Mantenga alejados a los curiosos mientras esté utilizando la máquina.** Los residuos lanzados al aire pueden causar lesiones corporales graves.
- **Use siempre las dos manos cuando utilice la máquina.** Al agarrar la máquina con ambas manos se evitará la pérdida de control.
- **Agarre la máquina solo por las superficies de agarre con aislamiento, porque es posible que el hilo de corte o la cuchilla entre en contacto con cables ocultos.** Si el hilo de corte o las cuchillas entran en contacto con un cable que tenga corriente, es posible que eso haga que las partes metálicas de la máquina que estén al descubierto tengan corriente, lo cual podría causar una descarga eléctrica al operador.
- **Mantenga siempre un apoyo adecuado de los pies y utilice la máquina solo cuando esté de pie en el piso.** Es posible que las superficies resbalosas o inestables causen una pérdida de equilibrio o de control de la máquina.
- **Mantenga todas las partes del cuerpo alejadas del cortador, el hilo o la cuchilla cuando la máquina esté en funcionamiento. Antes de arrancar la máquina, asegúrese de que el cortador, el hilo o la cuchilla no estén en contacto con nada.** Es posible que un momento de desatención mientras se esté utilizando la máquina tenga como resultado lesiones a usted mismo o a otras personas.
- **Mantenga el control de la máquina y no toque los cortadores, los hilos o las cuchillas y otras piezas móviles peligrosas mientras aún estén en movimiento.** Esto reduce el riesgo de lesiones por causa de las piezas móviles.
- **Transporte la máquina con su interruptor en la posición de apagado y alejada del cuerpo.** Un manejo adecuado de la máquina reducirá la posibilidad de contacto accidental con un cortador, un hilo o una cuchilla movimiento.
- **Utilice solo los cortadores, hilos, cabezales de corte y cuchillas de repuesto especificados por el fabricante.** Es posible que las piezas de repuesto incorrectas aumenten el riesgo de rotura y lesiones.
- **Cuando despeje material atorado o haga servicio de ajustes y reparaciones de la máquina, asegúrese de que el interruptor esté en la posición de apagado y que el paquete de batería se haya retirado.** Es posible que un arranque inesperado de la máquina mientras se esté despejando material atorado o haciendo servicio de ajustes y reparaciones tenga como resultado lesiones corporales graves.

- **Daños a la redefinidora de lechos:** Si golpea un objeto extraño con la máquina, pare de inmediato la máquina, compruebe si tiene daños y haga que todos los daños sean reparados antes de intentar cualquier utilización adicional. No utilice la máquina con un protector roto o una cuchilla rota.
- **Si el equipo comienza a vibrar anormalmente, pare el motor y realice una comprobación inmediata para determinar la causa.** Generalmente, la vibración es una advertencia de problemas. Es posible que un cabezal flojo vibre, se agriete, se rompa o se desprenda de la recortadora, lo cual es posible que cause lesiones graves o mortales. Asegúrese de que el aditamento de redefinidora de lechos esté fijo adecuadamente en la posición correcta. Si el cabezal se afloja después de fijarlo en la posición correcta, reemplácelo de inmediato.
- **La velocidad rotacional nominal de la cuchilla debe ser al menos igual a la velocidad rotacional máxima marcada en la máquina.** Las cuchillas que giren más rápidamente que su velocidad rotacional nominal pueden romperse en pedazos y ser lanzadas al aire.
- **No utilice la máquina en pendientes excesivamente inclinadas.** Esto reduce el riesgo de pérdida de control, resbalamiento y caída, lo cual es posible que tenga como resultado lesiones corporales.
- **Cuando trabaje en pendientes, esté siempre seguro del apoyo de los pies, trabaje siempre transversalmente a la cara de las pendientes, nunca hacia arriba o hacia abajo, y tenga precaución extrema cuando cambie de dirección.** Esto reduce el riesgo de pérdida de control, resbalamiento y caída, lo cual es posible que tenga como resultado lesiones corporales.
- **No utilice la máquina por encima de la altura de la cintura.** Esto ayuda a prevenir un contacto accidental con el cortador o la cuchilla y permite un mejor control de la máquina en situaciones inesperadas.
- **Utilice la máquina solo con el cabezal motriz de ion litio de 56 VPH1400/ PH1400-FC/PH1420/ PH1420-FC/PHX1600/PHX1600-FC.**

NOTA: CONSULTE EL MANUAL DEL OPERADOR DE SU CABEZAL MOTRIZ PARA OBTENER NORMAS DE SEGURIDAD ESPECÍFICAS ADICIONALES.

¡GUARDE ESTAS INSTRUCCIONES!

SÍMBOLOS

Esta página muestra y describe los símbolos de seguridad que es posible que aparezcan en este producto. Lea, entienda y siga todas las instrucciones que se encuentran en el producto antes de intentar ensamblarlo y utilizarlo.

| | | |
|--|---|--|
| | Alerta de seguridad | Precauciones que involucran la seguridad del operador |
| | Lea y entienda el manual del operador | Para reducir el riesgo de lesiones, el usuario debe leer y entender el manual del operador antes de utilizar este producto. |
| | Use protección ocular | Use siempre anteojos de seguridad o gafas de seguridad con escudos laterales y una careta completa cuando utilice este producto. |
| | Use protección de oídos | Use siempre barreras contra el sonido (tapones de oídos u orejeras) para protegerse la audición. |
| | Use protección de la cabeza | Use un casco de seguridad aprobado para protegerse la cabeza. |
| | Use protección de las manos | Protéjase las manos con guantes cuando maneje la desbrozadora y su cuchilla. Los guantes antideslizantes gruesos mejoran el agarre y protegen las manos. |
| | Use calzado antideslizante | Use calzado de seguridad antideslizante cuando utilice este equipo. |
| | Esté atento al contragolpe de la cuchilla | Avise al operador del peligro de contragolpe de la cuchilla. |

| | | |
|---|--|---|
|  | <p>Desconecte la batería antes de hacer mantenimiento</p> | <p>Alerta al usuario para que desconecte la batería antes de hacer mantenimiento.</p> |
|  | <p>ADVERTENCIA: Tenga cuidado con los objetos lanzados al aire: Mantenga alejados a los curiosos</p> | <p>Alerta al usuario para que tenga cuidado con los objetos lanzados al aire: Mantenga alejados a los curiosos.</p> |
| <p>IP...</p> | <p>Calificación de protección contra la penetración (IP)</p> | <p>Clasifica el grado de protección proporcionada por un recinto cerrado para equipos eléctricos.</p> |
| <p>V</p> | <p>Voltio</p> | <p>Tensión</p> |
| <p>mm</p> | <p>Milímetro</p> | <p>Longitud o tamaño</p> |
| <p>cm</p> | <p>Centímetro</p> | <p>Longitud o tamaño</p> |
| <p>pulgadas</p> | <p>Pulgada</p> | <p>Longitud o tamaño</p> |
| <p>kg</p> | <p>Kilogramo</p> | <p>Peso</p> |
| <p>lb</p> | <p>Libra</p> | <p>Peso</p> |
|  | <p>Corriente continua</p> | <p>Tipo o característica de corriente</p> |
| <p>RPM</p> | <p>Revoluciones por minuto</p> | <p>Velocidad rotacional</p> |
| <p>°C</p> | <p>Grados Celsius</p> | <p>Temperatura</p> |
| <p>°F</p> | <p>Grados Fahrenheit</p> | <p>Temperatura</p> |

INTRODUCCIÓN

Felicitaciones por su selección del ADITAMENTO DE REDEFINIDORA DE LECHOS EGO. Este producto ha sido diseñado, concebido y fabricado para ofrecerle a usted la mejor confiabilidad y el mejor rendimiento posibles.

En el caso de que tenga cualquier problema que no pueda remediar fácilmente, sírvase contactar a servicio al cliente de EGO llamando al 1-855-EGO-5656.

Este manual contiene información importante sobre el ensamblaje, la utilización y el mantenimiento seguros de su producto. Léalo detenidamente antes de utilizar el producto. Tenga este manual al alcance de la mano para poder consultarlo en cualquier momento.

NÚMERO DE SERIE _____ FECHA DE COMPRA _____

USTED DEBERÁ ANOTAR TANTO EL NUMERO DE SERIE COMO LA FECHA DE COMPRA Y CONSERVARLOS EN UN LUGAR SEGURO PARA REFERENCIA FUTURA

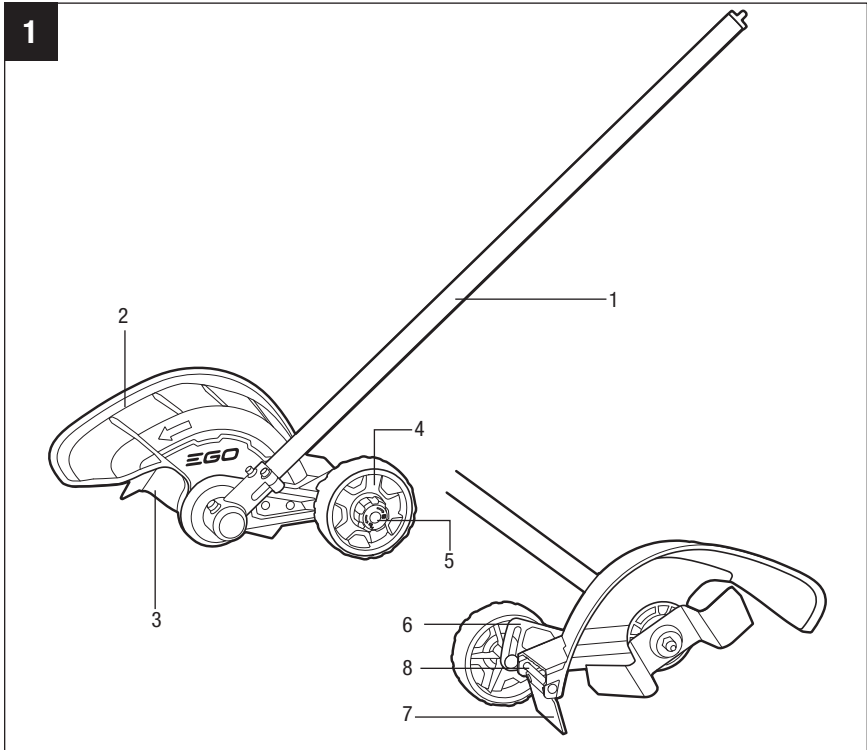
ESPECIFICACIONES

| | |
|--|--|
| Tamaño de la cuchilla | 8 pulgadas (20,9 cm) |
| Diámetro del agujero de la cuchilla para el eje portaherramienta | 1 pulgada (2,54 cm) |
| Velocidad de corte | 2200/2500 RPM |
| Profundidad de corte máx. | 2,4 pulgadas (6,1 cm) |
| Grosor de la cuchilla | 0,197 pulgadas (0,5 cm) |
| Tamaño de la rueda de guía | 4,7 pulgadas (12 cm) |
| Temperatura de funcionamiento recomendada | 32 – 104 °F (0 – 40 °C) |
| Temperatura de almacenamiento recomendada | -4 – 158 °F (-20 – 70 °C) |
| Peso | 6,2 lb (2,8 kg) |
| Calificación de protección contra la penetración | IPX4* (protección contra las salpicaduras de agua) |

* **NOTA:** La calificación IPX4 se basa en que la máquina y la batería se utilicen juntas como un sistema.

DESCRIPCIÓN

CONOZCA SU ADITAMENTO DE REDEFINIDORA DE LECHOS (Fig. 1)



- | | |
|-------------------------------------|---|
| 1. Eje del aditamento | 6. Barra de guía de ajuste de profundidad |
| 2. Protector de la cuchilla | 7. Aleta antirresiduos |
| 3. Cuchilla | 8. Protector de la aleta antirresiduos |
| 4. Rueda de guía | |
| 5. Perilla de ajuste de profundidad | |

⚠ ADVERTENCIA No utilice nunca la máquina sin tener el protector firmemente instalado en la posición correcta. La utilización de la herramienta sin su protector causará lesiones graves.

CUCHILLA

Cuchilla metálica para desplazar tierra, incluyendo vegetación blanda, con el fin de limpiar y renovar bordes de lechos existentes.

PROTECTOR DE LA CUCHILLA

Reduce el riesgo de lesiones causadas por objetos extraños que sean lanzados hacia atrás, hacia el operador, por el aditamento de corte y por el contacto con el aditamento de corte.

ALETA ANTIRRESIDUOS

Reduce el riesgo de lesiones causadas por objetos extraños que sean lanzados hacia atrás, hacia el operador, por la cuchilla de corte.

PERILLA DE AJUSTE DE PROFUNDIDAD Y BARRA DE GUÍA DE AJUSTE DE PROFUNDIDAD

Ajusta la profundidad de corte.

RUEDA DE GUÍA

Rueda por el piso y mantiene la cuchilla a la altura preajustada para la profundidad de corte requerida.

ENSAMBLAJE

⚠ ADVERTENCIA Si alguna de las piezas está dañada o falta, no utilice este producto hasta que las piezas hayan sido reemplazadas. El uso de este producto con piezas dañadas o si le faltan piezas podría tener como resultado lesiones corporales graves.

⚠ ADVERTENCIA No intente modificar este producto ni crear accesorios no recomendados para utilizarse con esta redefinidora de lechos. Cualquiera de dichas alteraciones o modificaciones constituye un uso incorrecto y podría provocar una situación peligrosa que cause lesiones corporales graves.

⚠ ADVERTENCIA No ajuste el protector de la cuchilla. El protector de la cuchilla ha sido ajustado en la fábrica de manera que la flecha ubicada en el protector de la cuchilla y el lado abierto apunten alejándose del operador. Esto garantiza que los pedazos cortados y otros residuos sean dirigidos alejándose de la máquina y del operador.

⚠ ADVERTENCIA Use siempre guantes gruesos cuando esté instalando o retirando la cuchilla, o haciendo cualquier mantenimiento en la misma. Tenga cuidado con la cuchilla y protéjase las manos para que no sean lesionadas por la cuchilla.

⚠ ADVERTENCIA No conecte la unidad al cabezal motriz hasta que se haya completado el ensamblaje. Si no se cumple con esta advertencia, el resultado podría ser arranques accidentales y posibles lesiones corporales graves.

DESEMPAQUE

- Este producto requiere ensamblaje.
- Saque cuidadosamente el producto y los accesorios de la caja. Asegúrese de que todos los artículos que aparecen en la lista de empaquetamiento estén incluidos.
- Inspeccione minuciosamente la máquina para asegurarse de que no se hayan producido roturas o daños durante el envío.
- No deseche el material de empaquetamiento hasta que haya inspeccionado minuciosamente y utilizado satisfactoriamente la máquina.
- Si alguna de las piezas está dañada o falta, sírvase devolver el producto al lugar de compra.

LISTA DE EMPAQUETAMIENTO

| NOMBRE DE LA PIEZA | CANTIDAD |
|--------------------------------------|----------|
| Aditamento de redefinidora de lechos | 1 |
| Manual del operador | 1 |

CONEXIÓN DEL ADITAMENTO AL CABEZAL MOTRIZ

⚠ ADVERTENCIA No instale ni ajuste nunca ningún aditamento mientras el cabezal motriz esté en funcionamiento o con la batería instalada. Es posible que si no se detiene el motor y no se retira el paquete de batería se causen lesiones corporales graves.

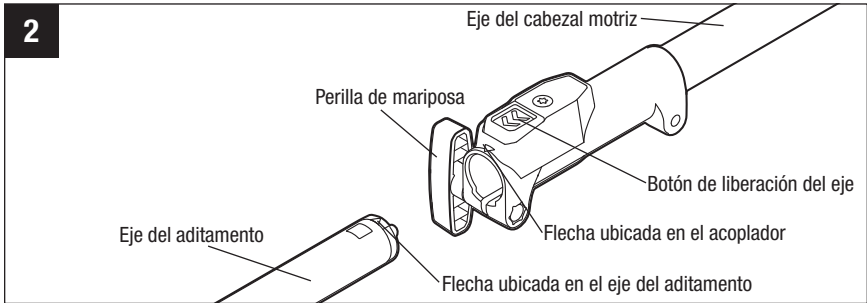
Este aditamento de redefinidora de lechos está diseñado para utilizarse con el cabezal motriz EGO PH1400/PH1400-FC/ PH1420/PH1420-FC/PHX1600/PHX1600-FC.

El aditamento de redefinidora de lechos se conecta al cabezal motriz por medio de un dispositivo de acoplador.

1. Detenga el motor y retire el paquete de batería.
2. Afloje la perilla de mariposa.

3. Alinee la flecha ubicada en el eje del aditamento con la flecha ubicada en el acoplador y empuje el eje del aditamento hacia el interior del acoplador hasta que oiga un sonido de “clic” nítido, que indica que el eje del aditamento está montado en la posición correcta (Fig. 2).
4. Jale el eje del aditamento para verificar que esté firmemente bloqueado en el acoplador. Si no lo está, rote el eje de un lado a otro en el acoplador hasta que se acople a presión en la posición correcta.
5. Apriete firmemente la perilla de mariposa.

⚠ ADVERTENCIA Asegúrese de que la perilla de mariposa esté completamente apretada antes de utilizar el equipo; compruebe periódicamente su apriete durante el uso para evitar lesiones corporales graves.



Para retirar el aditamento del cabezal motriz

1. Detenga el motor y retire el paquete de batería.
2. Afloje la perilla de mariposa.
3. Presione el botón de liberación del eje y, con el botón presionado, jale o gire el eje del aditamento hacia fuera del acoplador.

UTILIZACIÓN

⚠ ADVERTENCIA No deje que la familiaridad con este producto le haga volverse descuidado. Recuerde que una fracción de segundo de descuido es suficiente para causar lesiones graves.

⚠ ADVERTENCIA Use siempre anteojos de seguridad o gafas de seguridad con escudos laterales que estén marcados para cumplir con la norma ANSI Z87.1. Si no se hace así, el resultado podría ser que se lancen objetos hacia los ojos del operador y otras posibles lesiones graves.

⚠ ADVERTENCIA Para prevenir lesiones corporales graves, retire el paquete de batería de la máquina antes de hacer servicio de ajustes y reparaciones, realizar limpieza, cambiar aditamentos o retirar material de la unidad.

⚠ ADVERTENCIA No utilice aditamentos o accesorios no recomendados por el fabricante de este producto. El uso de aditamentos o accesorios no recomendados puede causar lesiones corporales graves.

Antes de cada uso, inspeccione todo el producto para determinar si hay piezas dañadas, si faltan piezas o si hay piezas flojas, tales como tornillos, tuercas, pernos, tapas, etc. Apriete firmemente todos los sujetadores y todas las tapas, y no utilice este producto hasta que todas las piezas que falten o estén dañadas hayan sido reemplazadas.

APLICACIÓN

Usted puede utilizar esta máquina para los propósitos que se indican a continuación:

Para limpiar y renovar bordes de lechos.

UTILIZACIÓN DEL ADITAMENTO CON EL CABEZAL MOTRIZ

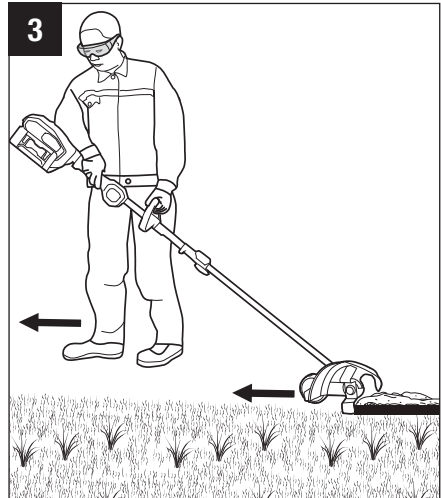
⚠ ADVERTENCIA Vístase adecuadamente para reducir el riesgo de lesiones cuando utilice esta máquina. No se ponga ropa holgada ni joyas. Use protección ocular y de oídos/audición. Use pantalones largos gruesos, botas y guantes gruesos. No use pantalones cortos ni sandalias, ni vaya descalzo. Use una careta o una máscara antipolvo en lugares donde haya grandes cantidades de polvo.

⚠ ADVERTENCIA Retire todos los obstáculos y objetos sólidos del área de trabajo.

⚠ ADVERTENCIA Asegúrese de que no haya cables o servicios públicos enterrados en el área de trabajo prevista antes de utilizar la redefinidora de lechos. Cortar cables o servicios públicos enterrados podría causar lesiones graves.

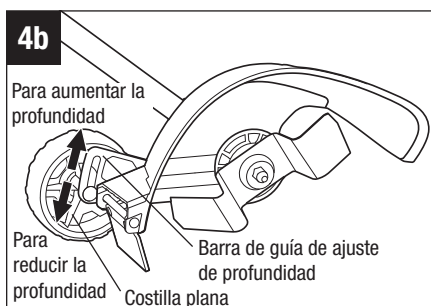
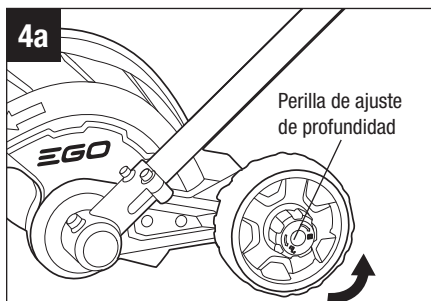
Agarre la máquina con la mano derecha en la empuñadura trasera y la mano izquierda en la empuñadura auxiliar delantera. Mantenga un agarre firme con las dos manos mientras utiliza la máquina. Agarre la máquina en una posición cómoda, con la empuñadura trasera aproximadamente a la altura de las caderas (Fig. 3). Utilice la herramienta en la dirección de la flecha, jalándola en lugar de empujarla. Observe detenidamente el borde del lecho y la dirección de desplazamiento.

⚠ ADVERTENCIA Mantenga la atención en la dirección de desplazamiento y el cabezal de corte mientras utiliza la redefinidora de lechos y asegúrese de que ningún niño, curioso o animal doméstico entre en el área de trabajo cuando esté utilizando la herramienta. Recuerde que una fracción de segundo de descuido es suficiente para causar la muerte o lesiones graves.



AJUSTE DE LA PROFUNDIDAD DE CORTE

El ajuste de la rueda no cambia explícitamente la profundidad de la cuchilla. La profundidad de inmersión de la cuchilla es controlada por el operador. Se deberá utilizar el siguiente procedimiento para encontrar el punto de referencia de la profundidad de corte cero basándose en la estatura y la posición de agarre del operador:



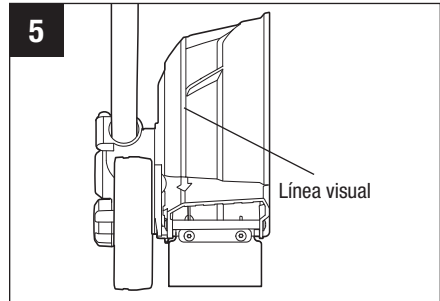
1. Detenga el motor y retire el paquete de batería.
2. Afloje la perilla de ajuste de profundidad en el sentido de la flecha de desbloqueo marcada en la perilla (Fig. 4a).
3. Mueva hacia arriba la rueda de guía, junto con la barra de guía de ajuste de profundidad, para aumentar la profundidad de corte, o hacia abajo para reducir dicha profundidad (Fig. 4b).
4. Apriete firmemente la perilla de ajuste de profundidad en el sentido de las agujas del reloj, en la dirección de la flecha de bloqueo marcada en la perilla.
5. Situándose de pie en la posición de trabajo normal, compruebe de nuevo la profundidad de corte y corríjala si es necesario.

ARRANQUE/PARADA DE LA MÁQUINA

Consulte la sección "**ARRANQUE/PARADA DEL CABEZAL MOTRIZ**" del manual del operador del cabezal motriz PH1400/PH1400-FC/PH1420/PH1420-FC/PHX1600/PHX1600-FC.

CONSEJOS DE UTILIZACIÓN

- Agarre y guíe el cabezal motriz de manera que la cuchilla esté vertical.
- Utilice la máquina a un ritmo que no sea superior al ritmo de caminar normal.
- Se recomienda realizar múltiples pasadas, aumentando ligeramente la profundidad de corte en cada pasada hasta lograr la profundidad de corte deseada. Se recomienda utilizar incrementos de profundidad de no más de 1 pulgada, dependiendo de las condiciones del suelo y el estado del límite del lecho actual.
- Evite utilizar la herramienta en tierra mojada/pasto mojado.
- Empuje la herramienta a un ritmo constante. Si la cuchilla comienza a atorarse, reduzca el ritmo de corte.
- No fuerce la cuchilla contra el piso.
- Utilice la línea visual para alinear la cuchilla con el borde del lecho (Fig. 5).



MANTENIMIENTO

⚠ ADVERTENCIA Cuando haga servicio de ajustes y reparaciones, utilice solo piezas de repuesto idénticas. Es posible que el uso de cualquier otra pieza cree un peligro o cause daños al producto. Para garantizar la seguridad y la confiabilidad, todas las reparaciones deberán ser realizadas por un técnico de servicio calificado.

⚠ ADVERTENCIA Las herramientas a batería no tienen que enchufarse en un tomacorriente; por lo tanto, siempre están en condiciones de funcionamiento. Para prevenir lesiones corporales graves, tome precauciones adicionales y tenga cuidado adicional cuando realice mantenimiento o servicio de ajustes y reparaciones, o cuando cambie el aditamento de corte u otros aditamentos.

⚠ ADVERTENCIA Para prevenir lesiones corporales graves, retire el paquete de batería del cabezal motriz antes de hacer servicio de ajustes y reparaciones, limpiar o cambiar aditamentos adicionales, o cuando el producto no se esté utilizando.

MANTENIMIENTO GENERAL

Evite utilizar solventes cuando limpie las piezas de plástico. La mayoría de los plásticos son susceptibles de sufrir daños por diversos tipos de solventes comerciales y es posible que resulten dañados por el uso de los mismos. Utilice paños limpios para retirar la suciedad, el polvo, el aceite, la grasa, etc.

⚠ ADVERTENCIA No deje en ningún momento que líquidos de freno, gasolina, productos a base de petróleo, aceites penetrantes, etc., entren en contacto con las piezas de plástico. Las sustancias químicas pueden dañar, debilitar o destruir el plástico, lo cual es posible que cause lesiones corporales graves.

⚠ ADVERTENCIA Cuando limpie la redefinidora de lechos, NO la sumerja en agua ni en otros líquidos.

LIMPIEZA DE LA UNIDAD

- Después de cada uso, retire la batería y elimine los residuos y la tierra o el pasto que obstruyan la cuchilla y el protector con un cepillo suave. Limpie la superficie de la bordeadora con un paño limpio humedecido con una solución de jabón suave.

- Utilice un cepillo pequeño o una aspiradora pequeña para limpiar las aberturas de ventilación ubicadas en la carcasa trasera.
- Mantenga las aberturas de ventilación libres de obstrucciones.

Todo el servicio de ajustes y reparaciones, que no sea los artículos indicados en estas instrucciones de mantenimiento, deberá ser realizado por personal de servicio competente.

REEMPLAZO DE LA CUCHILLA

⚠ ADVERTENCIA No intente enderezar ni soldar una cuchilla doblada o agrietada. Es posible que dicha cuchilla se rompa y en ese caso debe ser reemplazada. Réplacela solo por una cuchilla de redefinidora de lechos EGO.

AVISO Reemplace la cuchilla si su longitud ya no es suficiente para mantener la separación necesaria con el terreno y obtener la profundidad de corte requerida.

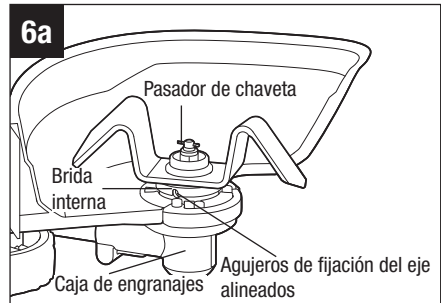
⚠ ADVERTENCIA Protéjase siempre las manos poniéndose guantes gruesos o envolviendo la cuchilla con trapos u otros materiales cuando realice cualquier mantenimiento en la cuchilla.

Herramientas necesarias:

- Alicates de punta fina (no suministrados)
- Llave hexagonal de 4 mm (no suministrada)
- Llave de tubo profunda de 15 mm (no suministrada)

Para desinstalar la cuchilla

1. Detenga el motor y retire el paquete de batería.
2. Acueste la máquina sobre su parte trasera de manera que la cuchilla esté orientada hacia arriba.
3. Use guantes protectores. Utilice los alicates de punta fina para retirar el pasador de chaveta del eje del motor (Fig. 6a).

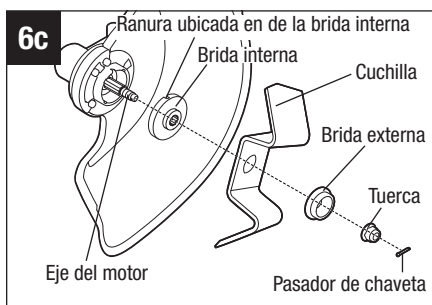
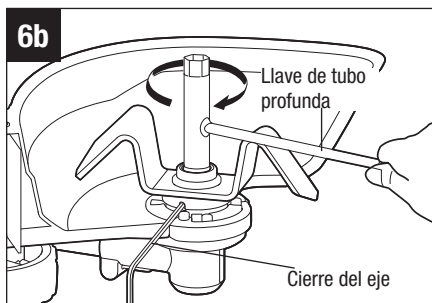


4. Rote la cuchilla para alinear la ranura ubicada en la brida con el agujero ubicado en la caja de engranajes (Fig. 6a).

5. Inerte la llave hexagonal en los agujeros alineados para que actúe como cierre del eje. Utilice la llave de tubo profunda para aflojar la tuerca EN EL SENTIDO DE LAS AGUJAS DEL RELOJ (Fig. 6b).

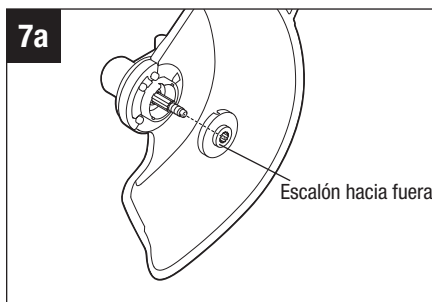
NOTA: Rosca a izquierdas. La tuerca se afloja en sentido opuesto a las roscas a derechas convencionales.

6. Retire la tuerca, la brida externa, la cuchilla y la brida interna del eje del motor (Fig. 6c). Compruébelas y reemplácelas si están desgastadas.



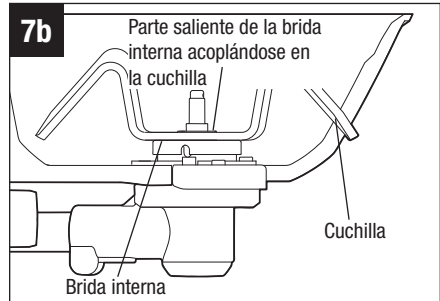
Para instalar la cuchilla

1. Posicione la brida interna que retiró en el paso 6 de la sección "Para retirar la cuchilla" en el eje del motor con el escalón de la brida interna orientado hacia fuera (Fig. 7a).



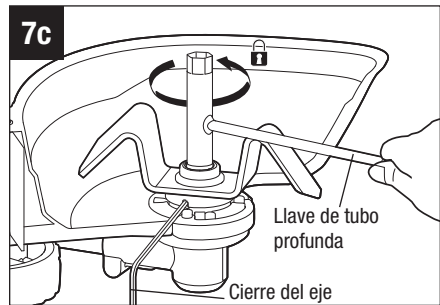
2. Instale la cuchilla nueva sobre la brida interna.

⚠ ADVERTENCIA El escalón de la brida interna se debe acoplar en el agujero de montaje de la cuchilla (Fig. 7b). No deberá haber nada de holgura entre la cuchilla y la superficie plana de la brida interna.



3. Monte la brida externa y la tuerca en el eje, y preapriete la tuerca EN SENTIDO CONTRARIO AL DE LAS AGUJAS DEL RELOJ con la mano.

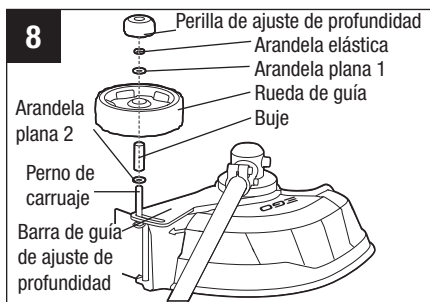
NOTA: Rosca a izquierdas. La tuerca se aprieta en sentido opuesto a las roscas a derechas convencionales.



4. Rote la cuchilla para alinear la ranura ubicada en la brida con el agujero ubicado en la caja de engranajes (Fig. 6a).
5. Inerte la llave hexagonal en los agujeros alineados para que actúe como cierre del eje. Utilice la llave de tubo profunda para apretar la tuerca EN SENTIDO CONTRARIO AL DE LAS AGUJAS DEL RELOJ (Fig. 7c).
6. Inserte un pasador de chaveta nuevo en el agujero del eje del motor. Doble los dos pies del pasador en direcciones opuestas con los alicates de punta fina (no incluidos) (Fig. 6a).

REEMPLAZO DE LA RUEDA DE GUÍA

1. Detenga el motor y retire el paquete de batería.
2. Acueste la máquina sobre su parte trasera de manera que rueda de guía esté orientada hacia arriba.
3. Afloje la perilla de ajuste de profundidad en el sentido de la flecha de desbloqueo marcada en la perilla y retírela.



4. Retire la arandela elástica, la arandela plana 1, la rueda de guía, el buje y la arandela plana 2 del perno de carruaje (Fig. 8). Compruébelas y reemplácelas si están desgastadas.
5. Monte primero el perno de carruaje a través de la barra de guía de ajuste de profundidad y luego monte la arandela plana 2, el buje y la rueda nueva, y luego monte la arandela plana 1, la arandela elástica y la perilla de ajuste de profundidad en el perno de carruaje siguiendo la secuencia que se muestra en la Fig. 8.

AVISO La rueda de guía se deberá montar de con sus costillas planas orientadas hacia dentro (Fig. 4b).

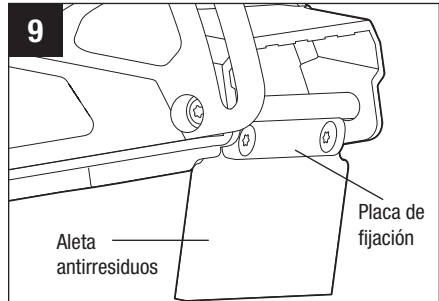
6. Bloquee la perilla de ajuste de profundidad en la dirección de la flecha de bloqueo marcada en la perilla.

REPLAZO DE LA ALETA ANTIRRESIDUOS

Herramienta necesaria:

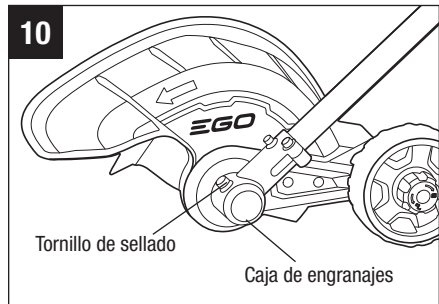
- Destornillador torx T20 (no suministrado)

1. Detenga el motor y retire el paquete de batería.
2. Utilice el destornillador torx T20 para aflojar los dos tornillos ubicados en la parte superior de la aleta antirresiduos y retire la placa de fijación.
3. Utilice el destornillador Torx T20 para aflojar los tornillos ubicados a ambos lados de la aleta antirresiduos y retire la aleta antirresiduos desgastada.
4. Reemplácela por la aleta antirresiduos nueva y reinstale y apriete los tornillos laterales y superiores.



LUBRICACIÓN DE LOS ENGRANAJES DE TRANSMISIÓN

Los engranajes de transmisión ubicados en la caja de engranajes necesitan ser lubricados periódicamente con grasa para engranajes. Compruebe el nivel de grasa de la caja de engranajes aproximadamente cada 50 horas de funcionamiento retirando el tornillo de sellado ubicado en un lado de la caja.



Si no se puede ver grasa en los lados del engranaje, siga los pasos que se indican a continuación para llenar la caja de engranajes con grasa para engranajes hasta 3/4 de su capacidad.

No llene completamente la caja de engranajes.

Herramienta necesaria:

- Llave hexagonal de 5 mm (no suministrada)
- 1. Posicione la máquina en posición vertical de manera que el tornillo de sellado esté orientado hacia arriba (Fig. 10).
- 2. Utilice la llave hexagonal de 5 mm (no incluida) para aflojar y retirar el tornillo de sellado.
- 3. Utilice una jeringa de grasa (no incluida) para inyectar un poco de grasa en el agujero para el tornillo; no exceda 3/4 de la capacidad.
- 4. Apriete el tornillo de sellado después de la inyección.

ALMACENAMIENTO DE LA UNIDAD

- Retire el paquete de batería de la máquina.
- Limpie minuciosamente la máquina antes de almacenarla.
- Almacene la unidad en un área seca y bien ventilada, fuera del alcance de los niños. No almacene la unidad sobre o adyacente a fertilizantes, gasolina u otras sustancias químicas.

RESOLUCIÓN DE PROBLEMAS

| PROBLEMA | CAUSA | SOLUCIÓN |
|---|---|--|
| El motor no arranca. | <ul style="list-style-type: none"> ■ El paquete de batería no está instalado en el cabezal motriz. ■ No hay contacto eléctrico entre el cabezal motriz y el paquete de batería. ■ El paquete de batería está agotado. ■ La palanca de fijación en apagado y el gatillo no se presionan simultáneamente. | <ul style="list-style-type: none"> ■ Instale el paquete de batería en el cabezal motriz. ■ Retire la batería, compruebe los contactos y reinstale el paquete de batería hasta que se acople a presión en la posición correcta. ■ Cargue el paquete de batería con los cargadores EGO indicados en este manual. ■ Presione hacia abajo el botón de fijación en apagado y manténgalo presionado, y luego presione el gatillo para encender la máquina. |
| El cabezal motriz se detiene durante el funcionamiento. | <ul style="list-style-type: none"> ■ El motor está sobrecargado. ■ El paquete de batería o el cabezal motriz está demasiado caliente. ■ El paquete de batería está desconectado de la máquina. ■ El paquete de batería está agotado. | <ul style="list-style-type: none"> ■ El motor se recuperará cuando se retire la carga. Para realizar trabajo continuo, reduzca la carga de trabajo del cabezal motriz. ■ Deje que el paquete de batería o el cabezal motriz se enfríe hasta que la temperatura descienda por debajo de 152 °F (67 °C). ■ Reinstale el paquete de batería. ■ Cargue el paquete de batería con los cargadores EGO indicados en este manual. |



GARANTÍA LIMITADA DE EGO

TÉRMINOS Y DURACIÓN DE LA PÓLIZA DE GARANTÍA

Chervon North America, Inc. ("Chervon North America, Naperville, IL 60563"), proporciona la siguiente Garantía Limitada para los productos EGO al comprador original de productos EGO.

El período de garantía detallado de cada producto EGO se puede encontrar en línea en <http://egopowerplus.com/warranty-policy>.

Sírvase contactar a Servicio al Cliente de EGO llamando gratis al 1-855-EGO-5656 en cualquier momento en que tenga preguntas o reclamos de garantía.

GARANTÍA LIMITADA DE SERVICIO

Los productos EGO están garantizados contra defectos de material o de fabricación a partir de la fecha de compra minorista original durante el período de garantía aplicable. Para cualquier reclamo de garantía presentado de manera adecuada y oportuna, si Chervon North America determina que un producto presenta algún defecto durante el período de garantía, dicho producto recibirá una reparación o un remplazo gratuitos, según lo determine Chervon North America.

CÓMO OBTENER SERVICIO

Para obtener servicio de garantía, dentro del período de garantía aplicable, sírvase contactar a servicio al cliente de EGO llamando gratis al **1-855-EGO-5656**. Cuando solicite servicio de garantía, deberá presentar el recibo de venta fechado original. Se seleccionará un centro de servicio autorizado para evaluar y reparar el producto si el mismo presenta algún defecto de acuerdo con los términos establecidos en la garantía. Cuando lleve su producto al centro de servicio autorizado, es posible que se requiera un pequeño depósito cuando deje allí su herramienta. Este depósito es reembolsable cuando se considere que el servicio de reparaciones esté cubierto bajo garantía. El comprador es responsable del transporte de cualquier equipo o aditamento de energía para exteriores a sus expensas.

LIMITACIONES Y EXCLUSIONES ADICIONALES

Esta garantía limitada se aplica solo al comprador original que realice la compra a un minorista EGO autorizado y no es transferible. Los productos EGO no serán considerados defectuosos, y esta garantía no se aplicará, en los casos en que el defecto por el que se presente el reclamo sea atribuible a cualquier causa que no sean los defectos definidos anteriormente en este documento. Esta garantía quedará anulada si el producto se ha utilizado para fines de alquiler. Esta garantía no se aplicará a daños causados por

98

ADITAMENTO DE REDEFINIDORA DE LECHOS — BRA0820/BRA0820-FC

accidente, abuso, uso incorrecto, alteración, modificación, reparación no autorizada, contacto con líquidos, incendio, terremoto u otra causa externa; utilización del producto sin seguir las instrucciones, especificaciones o pautas de EGO; o no hacer servicio de ajustes y reparaciones o no mantener adecuadamente el producto. Esta garantía tampoco se aplica a los daños cosméticos, incluyendo, pero sin limitarse a ello, rasguñaduras o abolladuras; defectos causados por el desgaste por el uso normal o defectos que de alguna otra manera se deban al envejecimiento normal del producto.

ESTA GARANTÍA EXPRESA SE DA EN LUGAR DE TODAS LAS DEMÁS GARANTÍAS, EXPRESAS O IMPLÍCITAS, INCLUYENDO, PERO SIN LIMITARSE A ELLO, TODAS LAS GARANTÍAS DE COMERCIABILIDAD O IDONEIDAD PARA UN PROPÓSITO O USO ESPECÍFICO, LAS CUALES QUEDAN EXCLUIDAS. Todas las garantías implícitas, incluyendo las garantías de comerciabilidad o idoneidad para un propósito específico, que no se puedan excluir bajo la ley estatal, están limitadas al período de garantía aplicable definido al comienzo de este artículo. El remedio único y exclusivo en conexión con la compra, instalación, uso y/o rendimiento de los productos EGO es la reparación o el reemplazo del producto tal y como lo determine Chervon North America. La responsabilidad máxima de North America no excederá en ningún caso el precio de compra pagado por el producto. CHERVON NORTH AMERICA NO SERÁ RESPONSABLE ANTE EL USUARIO NI ANTE NADIE MÁS POR DAÑOS EMERGENTES, INCIDENTALES, ESPECIALES, EJEMPLARES, INDIRECTOS O PUNITIVOS QUE SURJAN DEL USO DE LOS PRODUCTOS, INCLUYENDO, PERO SIN LIMITARSE A ELLO, LESIONES CORPORALES, MUERTE, DAÑOS MATERIALES, GANANCIAS PERDIDAS U OTROS PERJUICIOS ECONÓMICOS. Esta garantía le confiere a usted derechos legales específicos y es posible que usted tenga también otros derechos que varían de un estado a otro. Algunos estados no permiten limitaciones en cuanto a la duración de una garantía implícita, la exclusión o limitación de los daños incidentales o emergentes, o las limitaciones al tiempo para emprender ciertas acciones legales, por lo que las limitaciones contenidas en el presente documento no se aplican a los consumidores individuales de esos estados.

Esta garantía está sujeta a la ley de Michigan y se interpretará de acuerdo con dicha ley, con independencia de los principios sobre conflictos de leyes. No se emprenderá ninguna acción legal contra Chervon North America a menos que se presente dentro del plazo de un (1) año después de que se tenga conocimiento de la base de dicha acción legal o de la cual se debiera haber tenido conocimiento con el ejercicio de una diligencia razonable. Se considerará que se ha renunciado a cualquier acción legal que no se presente oportunamente.

Para obtener servicio al cliente, contáctenos llamando gratis al **1-855-EGO-5656** o en **EGOPOWERPLUS.COM**.

EGO Customer Service,
769 Seward Ave. NW, Suite 102,
Grand Rapids, Michigan 49504.

08/2025