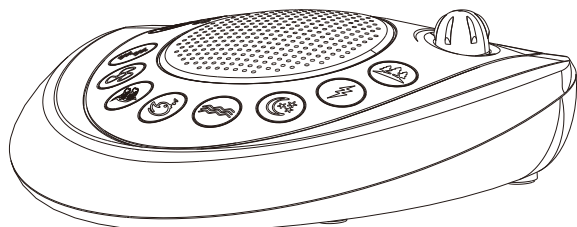


Raynic



Contact our experts
support@raynic.com

CR1007

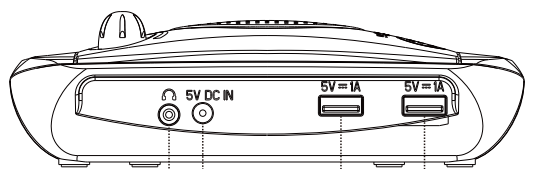
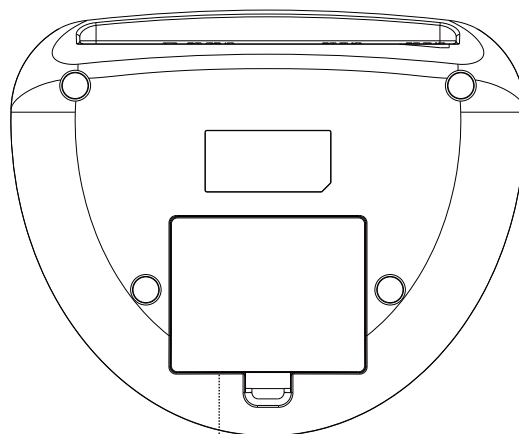
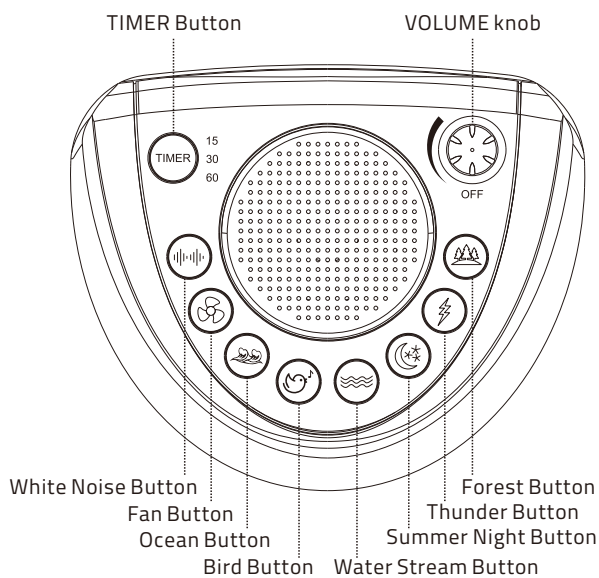
Soothing Sleep Therapy Sound Machine
CREATE YOUR PERFECT SLEEP ENVIRONMENT

[Http://www.raynic.com](http://www.raynic.com)



Version 3.5

LOCATION OF CONTROLS



Headphone Port 5V DC IN 5V/1A USB Charging Port

Battery working time under various volume states

Volume	AA Battery Working Time
10% Volume	38 hours
30% Volume	22 hours
50% Volume	18 hours
80% Volume	16 hours
100% Volume	14 hours

Create your perfect sleep environment

Thank you for purchasing the CR1007 Soothing Sleep Therapy Sound Machine.

This Sound Machine helps create your perfect sleep environment.

You can fall asleep to any of its eight calming sounds.

Sound Machine can also mask distractions to improve your concentration when you read, work or study.

Main Features

- 192kbps 32-bit sampling rate, 44100Hz stereo
- 24 Nature Sounds:
 - White Noise × 3 : White Noise , Pink Noise 01 , White Noise 02 , White Noise 03.
 - Fan × 3 : Fan , Fan 01 , Really Awesome Fan Sound for Sleep 02 , Fan 03.
 - Ocean × 3 : Ocean , oceanwaves 01 , Waves 02 , Midnight Surf 03.
 - Bird Chirping × 3 : Bird , Beautiful birds singing , Bird sounds Relaxation , forest birds chirping nature sounds.
 - Water Stream × 3 : Stream , Forest Brook , Snowstream , Streamside Sojourn.
 - Summer Night × 3 : Summer Night , Daybreak on the Amazon Basin , Nothing but Crickets , Sleepy Jungle Slumber.
 - Thunder & Rain × 3 : Thunder Rain , Nothing but Rain 01 , Thunder and Rain 02 , Rain and Thunder in the Amazon Basin 03.
 - Forest × 3 : Forest , Dream Forest , Early Winter Wilderness , Rainforest.

- 03 -

Listening to Nature Sounds

1. Power the sound machine on by turning the VOLUME knob in the clockwise direction.
The RED POWER LED will indicate the unit is on.
2. Press the button of the sound to change to the one you preferred.
3. To adjust the volume, rotate the VOLUME knob to your desired level.
4. To turn the sound machine off, rotate the VOLUME knob to the OFF position.

NOTE: The default sound is white noise when you turn on the sound machine for the first time.

Using the Auto-Timer

1. When the power is on, you can set a timer to listening to sound in the block of 15,30,60 before automatically turn off.
 2. Press the TIMER button until the corresponding LED illuminates for the time you choose, 15, 30 or 60 minutes.
The sound machine will automatically shut off after the selected time but the POWER LED will remain on and shows that the machine is still in Timer mode.
If you wish to change the timer period after you choose one, then press the timer button again until the corresponding LED illuminates and the previous LED will no more illuminate.
- Note: Please do not press the TIMER button if you wish to listen to the sounds continuously.

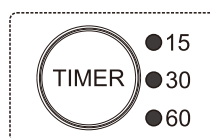
- 15, 30, 60 minutes or continuously. Auto-timer allows you to choose how long you listen.
- Volume control adjusts the volume of the sounds.
- Compact size and lightweight, perfect for traveling.

Assembly by DC power

1. Unpack the product and make sure the DC adaptor is included.
2. Attach the DC adaptor jack to the 5V DC Port of the Sound Machine and insert the cord into a 110V household outlet.

Assembly by AA battery

1. Remove the battery compartment cover.
2. Insert 3 pieces of "AA" batteries into the compartment on the bottom according to the polarity direction indicated.
3. Replace cover and snap into place.



When the battery power is low, the 3 LED lights will flash at the same time.

Note. "AA" batteries are not included.

USB Charging

Attach the USB charging cable to the USB Charging Port of the sound machine and plug the cord in your phone or tablet.

Note. The maximum charge current is 1 Ampere.

USB charging is only effective when connected to AC power.

- 04 -

Using Headphone

Attach the headphone to the headphone port of the sound machine, then the speaker of the sound machine is no longer audible. You can only listen to the sound through the headphone.

Warranty

1. We warrant to the original retail purchaser of this product that should this product or any part of thereof, under normal use and conditions, be proven defective in material, such defects will be repaired within 12 months from the date of purchase or replaced within 3 months from the date of purchase, both without charge for parts and repair labour. Moreover, 1 monthly refund policy to the retail purchaser of this product base on the same condition.
2. The original retail purchaser could obtain the 18 months extension warranty period by registering on our website to be our registered member.
3. If you need any help for this product, please feel free to contact us by [Email: support@raynic.com](mailto:support@raynic.com)

Remarks:

- a. The above warranty policies do not apply to any product or part thereof which has suffered or been damaged through alteration, improper installation and operation, mishandling, misuse, neglect, accident or removal of factory rating labels.
- b. Our company reserve the right to revise the warranty policies without notifying. Please check our website to obtain the latest updates.

- 05 -

- 06 -