



# Refrigerator

## User manual

Free Standing Appliance

**SAMSUNG**

# Contents

---

|   |           |
|---|-----------|
| <b>Safety information</b>                           | <b>3</b>  |
| What you need to know about the safety instructions | 3         |
| Important safety symbols and precautions:           | 5         |
| Important safety precautions                        | 6         |
| Severe warning signs for transportation and site    | 9         |
| Critical installation warnings                      | 10        |
| Installation cautions                               | 13        |
| Critical usage warnings                             | 13        |
| Usage cautions                                      | 18        |
| Cleaning cautions                                   | 21        |
| Critical disposal warnings                          | 23        |
| Additional tips for proper usage                    | 24        |
| Instructions about the WEEE                         | 25        |
| <br>  |           |
| <b>Installation</b>                                 | <b>26</b> |
| Refrigerator at a glance                            | 26        |
| Door removal for entrance                           | 29        |
| Step-by-step installation                           | 36        |
| <br>  |           |
| <b>Operations</b>                                   | <b>42</b> |
| Feature panel                                       | 42        |
| Special features                                    | 46        |
| <br>  |           |
| <b>Maintenance</b>                                  | <b>50</b> |
| Handle and care                                     | 50        |
| Cleaning  | 52        |
| Replacement   | 52        |
| <br>  |           |
| <b>Troubleshooting</b>                              | <b>53</b> |
| General   | 53        |
| Do you hear abnormal sounds from the refrigerator?  | 55        |

# Safety information

---

Before using your new Samsung Refrigerator, please read this manual thoroughly to ensure that you know how to operate the features and functions that your new appliance offers safely and efficiently.

## What you need to know about the safety instructions

---

- Warnings and Important Safety Instructions in this manual do not cover all possible conditions and situations that may occur. It is your responsibility to use common sense, caution, and care when installing, maintaining, and operating your appliance.
- Because these following operating instructions cover various models, the characteristics of your refrigerator may differ slightly from those described in this manual and not all warning signs may be applicable. If you have any questions or concerns, contact your nearest service center or find help and information online at [www.samsung.com](http://www.samsung.com).
- R-600a or R-134a is used as a refrigerant. Check the compressor label on the rear of the appliance or the rating label inside the fridge to see which refrigerant is used for your appliance. When this product contains flammable gas (Refrigerant R-600a), contact your local authority in regard to safe disposal of this product.
- In order to avoid the creation of a flammable gas-air mixture if a leak in the refrigerating circuit occurs, the size of the room in which the appliance may be sited depends on the amount of refrigerant used.
- Never start up an appliance showing any signs of damage. If in doubt, consult your dealer. The room must be 1 m<sup>3</sup> in size for every 8 g of R-600a refrigerant inside the appliance. The amount of refrigerant in your particular appliance is shown on the identification plate inside the appliance.

# Safety information

---

- Refrigerant squirting out of the pipes could ignite or cause an eye injury. When refrigerant leaks from the pipe, avoid any naked flames and move anything flammable away from the product and ventilate the room immediately.
  - Failing to do so may result in fire or explosion.
- To avoid contamination of food, please respect the following instructions:
  - Opening the door for long periods can cause a significant increase of the temperature in the compartments of the appliance.
  - Clean regularly surfaces that can come in contact with food and accessible drainage systems.
  - Clean water tanks if they have not been used for 48 h; flush the water system connected to a water supply if water has not been drawn for 5 days.
  - Store raw meat and fish in suitable containers in the refrigerator, so that it is not in contact with or drip onto other food.
  - Two-star frozen-food compartments are suitable for storing pre-frozen food, storing or making icecream and making ice cubes.
  - One-, two- and three-star compartments are not suitable for the freezing of fresh food.
  - If the refrigerating appliance is left empty for long periods, switch off, defrost, clean, dry, and leave the door open to prevent mould developing within the appliance.

---

## Important safety symbols and precautions:

---

Please follow all safety instructions in this manual. This manual uses the following safety symbols.

### **WARNING**

Hazards or unsafe practices that may result in **severe personal injury, property damage, and/or death.**

### **CAUTION**

Hazards or unsafe practices that may result in **severe personal injury and/or property damage.**

### **NOTE**

Useful information that helps users understand or benefit from the refrigerator.

These warning signs are here to prevent injury to you and others.

Please follow them carefully.

After reading this section, keep it in a safe place for future reference.

# Safety information

---

## Important safety precautions

---



Warning; Risk of fire / flammable materials

### **WARNING**

- When positioning the appliance, ensure the supply cord is not trapped or damaged.
- Do not locate multiple portable socket-outlets or portable power supplies at the rear of the appliance.
- Fill with potable water only.
- Connect to potable water supply only.
- Keep ventilation openings, in the appliance enclosure or in the built-in structure, clear of obstruction.
- Do not use mechanical devices or any other means to accelerate the defrosting process, other than those recommended by the manufacturer.
- Do not damage the refrigerant circuit.
- Do not use electrical appliances inside the food storage compartments of the appliance, unless they are of the type recommended by the manufacturer.
- This appliance is not intended for use by persons (including children) with reduced physical, sensory, or mental capabilities, or those who lack experience and knowledge, unless they have been given supervision or instruction concerning the use of the appliance by a person responsible for their safety.

- This appliance can be used by children aged from 8 years and above and persons with reduced physical, sensory or mental capabilities or lack of experience and knowledge if they have been given supervision or instruction concerning use of the appliance in a safe way and understand the hazards involved. Children shall not play with the appliance. Cleaning and user maintenance shall not be made by children without supervision. Children aged from 3 to 8 years are allowed to load and unload refrigerating appliances.
- If the supply cord is damaged, it must be replaced by the manufacturer, its service agent or similarly qualified persons in order to avoid a hazard.
- The socket must be easily accessible so that the appliance can be quickly disconnected from the supply in an emergency.
  - It must be outside the area of the rear of the appliance.
- Do not store explosive substances such as aerosol cans with a flammable propellant in this appliance.
- If the product is equipped with LED lamps, do not disassemble the Lamp Covers and LED lamps yourself.
  - Contact a Samsung service center.
  - Use only the LED Lamps provided by the manufacturer or its service agents.
- For the most efficient use of energy, please keep the all inner fittings such as baskets, drawers, shelves on the position supplied by manufacturer.
- To get the best energy efficiency of this product, please leave all shelves, drawers and baskets on their original position.



# Safety information

---

## How to minimize the energy consumption

- Install the appliance in a cool, dry room with adequate ventilation.
- Ensure that it is not exposed to direct sunlight and never put it near a direct source of heat (radiator, for example).
  - Not to block any vents or grilles is recommended for energy efficiency.
  - Allow warm food to cool down before placing it in the appliance.
  - Put frozen food in the refrigerator to thaw. You can then use the low temperatures of the frozen products to cool food in the refrigerator.
  - Do not keep the door of the appliance open for too long when putting food in or taking food out.
  - The shorter time for which the door is open, the less ice will form in the freezer.
  - Clean the rear of the refrigerator regularly. Dust increases energy consumption.
  - Do not set temperature colder than necessary.
  - Ensure sufficient air exhaust at the refrigerator base and at the back wall of the refrigerator. Do not cover air vent openings.
  - Allow clearance to the right, left, back and top when installing. This will help reduce power consumption and keep your energy bills lower.
- We recommend the value of clearance to be :
  - Right, left, and back side: more than 50 mm
  - Top side: more than 100 mm



---

This appliance is intended to be used in household and similar applications such as

- staff kitchen areas in shops, offices and other working environments;
- farm houses and by clients in hotels, motels and other residential type environments;
- bed and breakfast type environments;
- catering and similar non-retail applications.

### **Severe warning signs for transportation and site**

---

#### **⚠ WARNING**

- When transporting and installing the appliance, care should be taken to ensure that no parts of the refrigerating circuit are damaged.
  - Refrigerant leaking from the pipe work could ignite or cause an eye injury. If a leak is detected, avoid any naked flames or potential sources of ignition and air the room in which the appliance is standing for several minutes.
  - This appliance contains a small amount of isobutane refrigerant (R-600a), a natural gas with high environmental compatibility that is, however, also combustible. When transporting and installing the appliance, care should be taken to ensure that no parts of the refrigerating circuit are damaged.



# Safety information

---

## Critical installation warnings

---

### **WARNING**

- Do not install the refrigerator in a damp location or place where it may come in contact with water.
  - Deteriorated insulation on electrical parts may cause an electric shock or fire.
- Do not place this refrigerator in direct sunlight or expose it to the heat from stoves, room heaters, or other appliances.
- Do not plug several appliances into the same multiple power strip. The refrigerator should always be plugged into its own individual electrical outlet which has a voltage rating that matches the voltage listed on the refrigerator's rating plate.
  - This provides the best performance and also prevents overloading of house wiring circuits, which could cause a fire hazard from overheated wires.
- If the wall socket is loose, do not insert the power plug.
  - There is a risk of electric shock or fire.
- Do not use a power cord that has cracks or abrasion damage along its length or at either end.
- Do not bend the power cord excessively or place heavy objects on it.
- Do not pull or excessively bend the power cord.
- Do not twist or tie the power cord.
- Do not hook the power cord over a metal object, place a heavy object on the power cord, insert the power cord between objects, or push the power cord into the space behind the appliance.
- When moving the refrigerator, be careful not to roll over or damage the power cord.
  - This may result in an electric shock or fire.



- 
- Never unplug your refrigerator by pulling on the power cord. Always grip the plug firmly and pull straight out from the outlet.
    - Damage to the cord may cause a short-circuit, fire, and/or electric shock.
  - Do not use aerosols near the refrigerator.
    - Using aerosols near the refrigerator may cause an explosion or fire.
  - Do not install this appliance near a heater or inflammable material.
  - Do not install this appliance in a location where gas may leak.
    - This may result in an electric shock or fire.
  - This refrigerator must be properly located and installed in accordance with the instructions in this manual before you use it.
  - Connect the power plug in the proper position with the cord hanging down.
    - If you connect the power plug upside down, the wire can get cut off and cause a fire or electric shock.
  - Make sure that the power plug is not crushed or damaged by the back of the refrigerator.
  - Keep the packing materials out of reach of children.
    - There is a risk of death from suffocation if a child puts the packing materials on his or her head.
  - Do not install this appliance in a humid, oily or dusty location, in a location exposed to direct sunlight and water (rain drops).
    - Deteriorated insulation of electrical parts may cause an electric shock or fire.
  - If any dust or water is in the refrigerator, pull out power plug and contact your Samsung Electronics service center.
    - Otherwise there is a risk of fire.

# Safety information

---

- Do not stand on top of the appliance or place objects (such as laundry, lighted candles, lighted cigarettes, dishes, chemicals, metal objects, etc.) on the appliance.
  - This may result in an electric shock, fire, problems with the product, or injury.
- You need to remove all the protective plastic film before you initially plug the product in.
- Children should be supervised to ensure that they do not play with the snap rings used for door adjustment or the water tube clips.
  - There is risk of death by suffocation if a child swallows a snap ring or water tube clip. Keep the snap rings and water tube clips out of children's reach.
- The refrigerator must be safely grounded.
  - Always make sure that you have grounded the refrigerator before attempting to investigate or repair any part of the appliance. Power leakages can cause severe electric shock.
- Never use gas pipes, telephone lines, or other potential lightning attractors as an electrical ground.
  - You must ground the refrigerator to prevent any power leakages or electric shocks caused by current leakage from the refrigerator.
  - This may result in an electric shock, fire, explosion, or problems with the product.
- Plug the power plug into the wall socket firmly. Do not use a damaged power plug, damaged power cord, or loose wall socket.
  - This may result in an electric shock or fire.
- The fuse on the refrigerator must be changed by a qualified technician or service company.
  - Failing to do so may result in an electric shock or personal injury.

---

## Installation cautions

---

### CAUTION

- Allow sufficient space around the refrigerator and install it on a flat surface.
  - If your refrigerator is not level, cooling efficiency and durability can be declined.
- Allow the appliance to stand for 2-3 hours before loading foods after installation and turning on.
- We strongly recommend you have a qualified technician or service company install the refrigerator.
  - Failing to do so may result in an electric shock, fire, explosion, problems with the product, or injury.

## Critical usage warnings

---

### WARNING

- Do not insert the power plug into a wall socket with wet hands.
  - This may result in an electric shock.
- Do not store articles on the top of the appliance.
  - When you open or close the door, the articles may fall and cause personal injury and/or material damage.
- Do not insert hands, feet or metal objects (such as chopsticks, etc.) into the bottom or the back of the refrigerator.
  - This may result in an electric shock or injury.
  - Any sharp edges may cause a personal injury.
- Do not touch the inside walls of the freezer or products stored in the freezer with wet hands.
  - This may cause frostbite.

# Safety information

---

- Do not put a container filled with water on the refrigerator.
  - If spilled, there is a risk of fire or electric shock.
- Do not keep volatile or flammable objects or substances (benzene, thinner, propane gas, alcohol, ether, LP gas, and other such products) in the refrigerator.
  - This refrigerator is for storing food only.
  - This may result in fire or explosion.
- Children should be supervised to ensure that they do not play with the appliance.
  - Keep fingers out of “pinch point” areas. Clearances between the doors and cabinet are necessarily small. Be careful when you open the doors if children are in the area.
- Do not put your fingers or children’s fingers between the doors.
  - Keep fingers out of the left and right door gaps. Be careful when you open the doors if your fingers are in between the doors.
- Do not let children hang on the door or door bins. A serious injury may occur.
- Do not let children go inside the refrigerator. They could become trapped.
- Do not insert your hands into the bottom area under the appliance.
  - Any sharp edges may cause personal injury.
- Do not store pharmaceutical products, scientific materials, or temperature sensitive products in the refrigerator.
  - Products that require strict temperature controls must not be stored in the refrigerator.
- If you smell pharmaceutical or smoke, pull out power plug immediately and contact your Samsung Electronics service center.

- 
- If any dust or water is in Refrigerator, pull out power plug and contact your Samsung Electronics service center.
    - Otherwise there is a risk of fire.
  - Do not let children step on a drawer.
    - The drawer may break and cause them to slip.
  - Do not leave the doors of the refrigerator open while the refrigerator is unattended and do not let children enter inside the refrigerator.
  - Do not allow babies or children go inside the drawer.
    - It can cause death from suffocation by entrapment or personal injury.
  - Do not overfill the refrigerator with food.
    - When you open the door, an item may fall out and cause personal injury or material damage.
  - Do not spray volatile material such as insecticide onto the surface of the appliance.
    - As well as being harmful to humans, it may also result in an electric shock, fire, or problems with the product.
  - Never put fingers or other objects into the water dispenser hole, ice chute and ice maker bucket.
    - It may cause a personal injury or material damage.
  - Do not use or place any substances sensitive to temperature such as flammable sprays, flammable objects, dry ice, medicine, or chemicals near or inside of the refrigerator.
  - Do not use a hair dryer to dry the inside of the refrigerator. Do not place a lighted candle in the refrigerator for removing bad odours.
    - This may result in an electric shock or fire.

# Safety information

---

- Fill the water tank, ice tray and water cubes only with potable water (mineral water or purified water).
  - Do not fill the tank with tea, juice or sports drink, this may damage the refrigerator.
- Do not stand on top of the appliance or place objects (such as laundry, lighted candles, lighted cigarettes, dishes, chemicals, metal objects, etc.) on the appliance. This may result in an electric shock, fire, problems with the product, or injury. Do not put a container filled with water on the appliance.
  - If spilled, there is a risk of fire or electric shock.
- Never stare directly at the UV LED lamp for long periods of time.
  - This may result in eye strain due to the ultraviolet rays.
- Do not put shelf in upside down. Shelf stopper could not work.
  - It may cause a personal injury because of glass shelf drop.
- Keep fingers out of “pinch point” areas. Clearances between the doors and cabinet are necessarily small. Be careful when you open the doors if children are in the area.
- If a gas leak is detected, avoid any naked flames or potential sources of ignition, and air the room in which the appliance is standing for several minutes.
  - Do not touch the appliance or power cord.
  - Do not use a ventilating fan.
  - A spark may result in explosion or fire.
- Bottles should be stored tightly together so that they do not fall out.
- This product is intended only for the storage of food in a domestic environment.

- 
- Never put fingers or other objects into the water dispenser hole, ice chute and ice maker bucket.
    - It may cause a personal injury or material damage.
  - Do not attempt to repair, disassemble, or modify the refrigerator yourself.
  - Do not use any fuse (such as cooper, steel wire, etc.) other than a standard fuse.
  - If your refrigerator needs to be repaired or reinstalled, contact your nearest service center.
    - Failing to do so may result in an electric shock, fire, problems with the product, or injury.
  - If the refrigerator emits a burning smell or smoke, unplug the refrigerator immediately and contact your Samsung Electronics service center.
    - Failing to do so may result in an electric or fire hazards.
  - Pull the power plug out of the socket before changing the interior lamps of the refrigerator.
    - Otherwise, there is a risk of electric shock.
  - If you experience difficulty changing a non-LED light, contact a Samsung service center.
  - Plug the power plug into the wall socket firmly.
  - Do not use a damaged power plug, damaged power cord or loose wall socket.
    - This may result in an electric shock or fire.

# Safety information

---

## Usage cautions

---

### CAUTION

- Do not refreeze thawed food.
  - Frozen and thawed food will develop harmful bacteria faster than fresh.
  - The second thaw will break down even more cells, leaching out moisture and changing the integrity of the product.
- Do not thaw meat at room temperature.
  - Safety will depend on whether the raw product was handled properly.
- Do not place glass bottles or carbonated beverages into the freezer.
  - The container may freeze and break, and this may result in injury.
- Use only the ice maker provided with the refrigerator.
- If you will be away from home for a long period of time (on vacation, for example) and won't be using the water or ice dispensers, close the water valve.
  - Otherwise, water leakage may occur.
- If you won't be using the refrigerator for a very long period of time, (3 weeks or more) empty the refrigerator including the ice bucket, unplug it, close the water valve, wipe excess moisture from the inside walls, and leave the doors open to prevent odors and mold.

- To get the best performance from the product:
  - Do not place food too close to the vents at the rear of the refrigerator as this can obstruct free air circulation in the refrigerator compartment.
  - Wrap food up properly or place it in airtight containers before putting it into the refrigerator.
  - Please observe maximum storage times and expiration dates of frozen goods.
  - There is no need to disconnect the refrigerator from the power supply if you will be away for less than three weeks. However, if you will be away for more than three weeks, remove all the food and ice in the ice bucket, unplug the refrigerator, close the water valve, wipe excess moisture from the inside walls, and leave the doors open to prevent odors and mold.
- Service Warranty and Modification.
  - Any changes or modifications performed by a 3rd party on this finished appliance are not covered under Samsung warranty service, nor is Samsung responsible for safety issues that result from 3rd party modifications.
- Do not block the air vents inside the refrigerator.
  - If the air vents are blocked, especially with a plastic bag, the refrigerator can be over cooled. If a cooling period lasts too long, the water filter may break and cause water leakage.
- Use only the ice-maker provided with the refrigerator.
- Wipe excess moisture from the inside and leave the doors open.
  - Otherwise, odor and mold may develop.
- If the refrigerator is disconnected from the power supply, you should wait for at least five minutes before plugging it back in.

# Safety information

---

- When the refrigerator got wet by water, pull out the power plug and contact your Samsung Electronics service center.
- Do not strike or apply excessive force to any glass surface.
  - Broken glass may result in a personal injury and/or property damage.
- Fill the water tank and ice cube trays with potable water only (tap water, mineral water, or purified water).
  - Do not fill the tank with tea or a sports drink. This may damage the refrigerator.
- Be careful that your fingers are not caught in.
- If the refrigerator is flooded, make sure to contact your nearest service center.
  - There is a risk of electric shock or fire.
- Do not keep vegetable oil in your refrigerator's door bins. The oil can solidify, making it foul-tasting and difficult to use. In addition, the open container can leak and the leaked oil can cause the door bin to crack. After opening an oil container, it is best to keep the container in a cool and shaded place such as a cupboard or pantry.
  - Examples of vegetable oil: olive oil, corn oil, grape-seed oil, etc.

---

## Cleaning cautions

---

### CAUTION

- Do not spray water directly on the inside or outside the refrigerator.
  - There is a risk of fire or electric shock.
- Do not use a hair dryer to dry the inside of the refrigerator.
- Do not place a lighted candle in the refrigerator to remove bad odors.
  - This may result in an electric shock or fire.
- Do not spray cleaning products directly on the display.
  - Printed letters on the display may come off.
- If any foreign substance such as water has entered the appliance, unplug the power plug and contact your nearest service center.
  - Failing to do so may result in an electric shock or fire.
- Use a clean, dry cloth to remove any foreign matter or dust from the power plug blades. Do not use a wet or damp cloth when cleaning the plug.
  - Otherwise, there is a risk of fire or electric shock.
- Do not clean the appliance by spraying water directly onto it.
- Do not use benzene, thinner, or Clorox, Chloride for cleaning.
  - They may damage the surface of the appliance and may cause a fire.
- Never put fingers or other objects into the dispenser hole.
  - It may cause a personal injury or material damage.
- Before cleaning or performing maintenance, unplug the appliance from the wall socket.
  - Failing to do so may result in an electric shock or fire.

# Safety information

---

- Use a clean sponge or soft cloth and a mild detergent in warm water to clean the refrigerator.
- Do not use abrasive or harsh cleansers such as window sprays, scouring cleansers, flammable fluids, muriatic acid, cleaning waxes, concentrated detergents, bleaches, or cleansers containing petroleum products on exterior surfaces (doors and cabinet), plastic parts, door and interior liners, and gaskets.
  - These can scratch or damage the material.
- Do not clean glass shelves or covers with warm water when they are cold. Glass shelves and covers may break if exposed to sudden temperature changes or impacts such as bumping or dropping.

---

## Critical disposal warnings

---

### **WARNING**

- Please dispose of the packaging material from this product in an environmentally friendly manner.
- Ensure that none of the pipes on the back of the refrigerator are damaged prior to disposal.
- R-600a or R-134a is used as a refrigerant. Check the compressor label on the rear of the appliance or the rating label inside the fridge to see which refrigerant is used for your refrigerator. If this refrigerator contains flammable gas (Refrigerant R-600a), contact your local authority in regard to safe disposal of this product.
- When disposing of this refrigerator, remove the door/door seals and door latch so that small children or animals cannot become trapped inside. Children should be supervised to ensure that they do not play with the appliance. If trapped inside, a child may get hurt or suffocate to death.
  - If trapped inside, the child may become injury and suffocate to death.
- Cyclopentane is used in the insulation. The gases in the insulation material require a special disposal procedure. Please contact your local authorities in regard to the environmentally safe disposal of this product.
- Keep all packaging materials well out of the reach of children, as packaging materials can be dangerous to children.
  - If a child places a bag over his or her head, the child could suffocate.



# Safety information

---

## Additional tips for proper usage

---

- In the event of a power failure, call the local office of your electric company and ask how long the failure is going to last.
  - Most power failures that are corrected in an hour or two will not affect your refrigerator temperatures. However, you should minimize the number of door openings while the power is off.
  - Should the power failure last more than 24 hours, remove and discard all frozen food.
- The refrigerator might not operate consistently (frozen contents can thaw or temperatures can become too warm in the frozen food compartment) if sited for an extended period of time in a location where ambient air temperatures are constantly below the temperatures for which the appliance is designed.
- In case of particular foods, keeping it under refrigeration can have a bad effect on preservation due to its properties.
- Your appliance is frost free, which means there is no need to manually defrost your appliance. This will be carried out automatically.
- Temperature rise during defrosting complies with ISO requirements. If you want to prevent an undue rise in the temperature of frozen food while the appliance defrosts, wrap the frozen food in several layers of newspaper.
- Do not re-freeze frozen foods that have thawed completely.



---

## Instructions about the WEEE

---



### Correct Disposal of This Product (Waste Electrical & Electronic Equipment) (Applicable in countries with separate collection systems)

This marking on the product, accessories or literature indicates that the product and its electronic accessories (e.g. charger, headset, USB cable) should not be disposed of with other household waste at the end of their working life. To prevent possible harm to the environment or human health from uncontrolled waste disposal, please separate these items from other types of waste and recycle them responsibly to promote the sustainable reuse of material resources.

Household users should contact either the retailer where they purchased this product, or their local government office, for details of where and how they can take these items for environmentally safe recycling.

Business users should contact their supplier and check the terms and conditions of the purchase contract. This product and its electronic accessories should not be mixed with other commercial wastes for disposal.

For information on Samsung's environmental commitments and product regulatory obligations, e.g. REACH, WEEE or Batteries, visit our sustainability page available via [www.samsung.com](http://www.samsung.com)

(For products sold in European countries and in the UK only)

# Installation

Follow these instructions carefully to ensure a proper installation of this refrigerator and to prevent accidents before using it.

## **WARNING**

- Use the refrigerator only for its intended purpose as described in this manual.
- Any servicing must be performed by a qualified technician.
- Dispose of the product packaging material in compliance with the local regulations.
- To prevent electric shock, unplug the power cord before servicing or replacements.

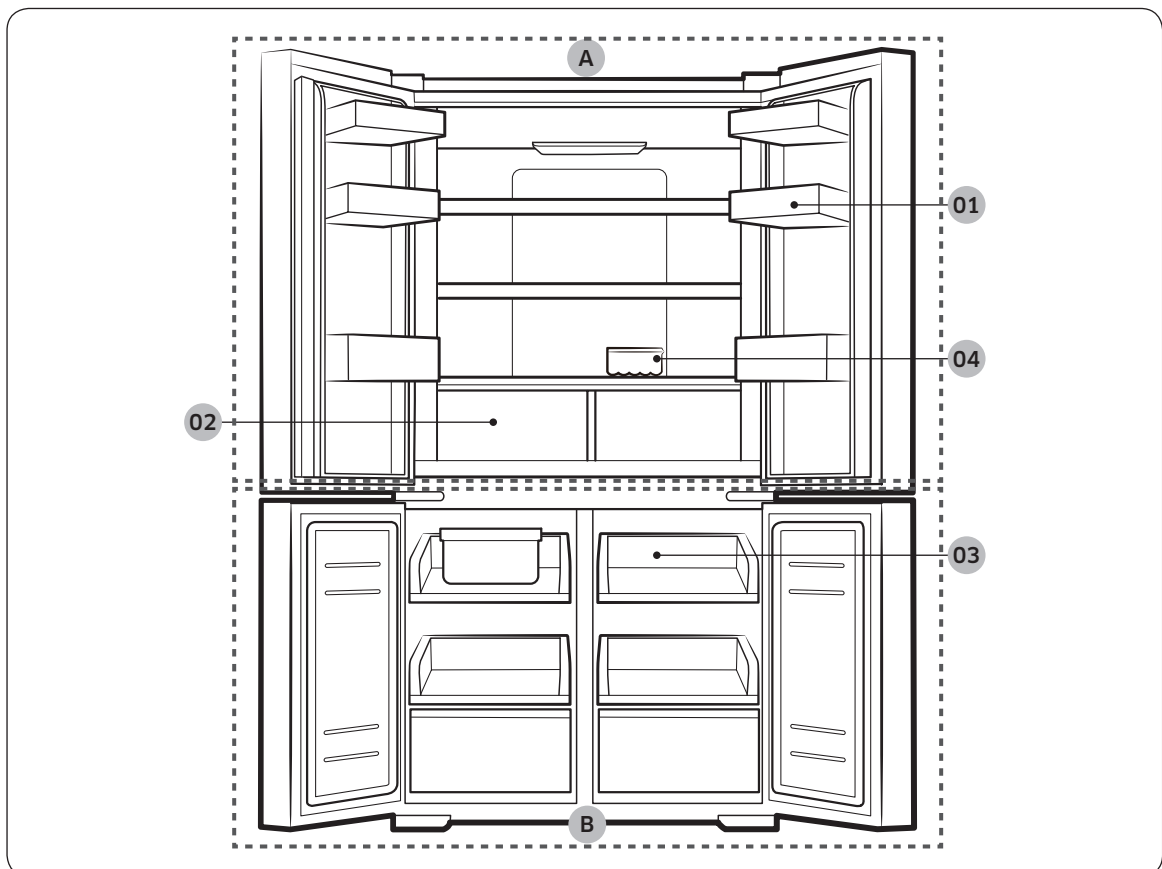
## Refrigerator at a glance

### **NOTE**

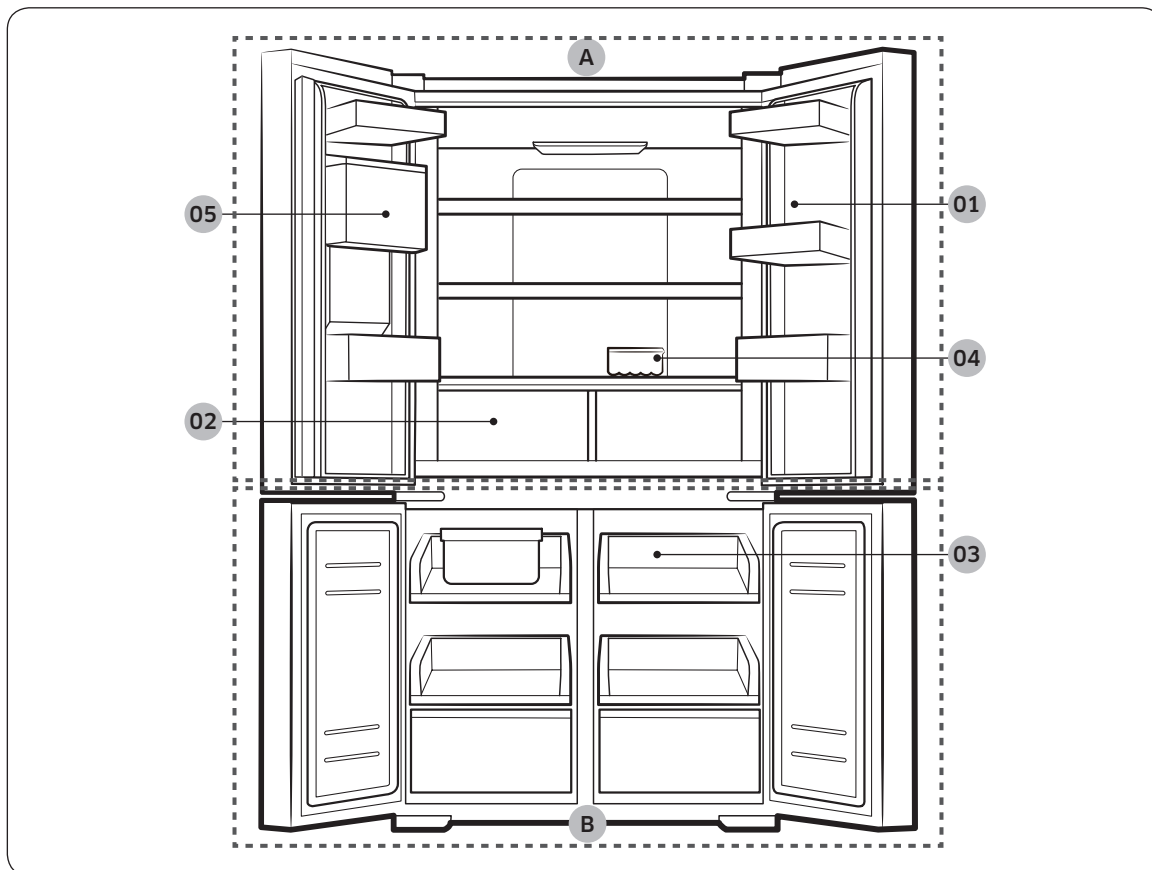
The actual image and provided component parts of the refrigerator may differ, depending on the model and the country.

For more information, see the Layout section.

### Normal type



## Dispenser type



**01** Fridge door bin

**02** Fresh Vegetable & Fruit Drawers

**03** Sliding shelf

**04** Egg tray

**05** Water tank \*

**A.** Fridge

**B.** Freezer

\* Dispenser type models only

# Installation

---

## NOTE

- For energy efficiency, keep all shelves, drawers, and baskets in their original positions.
- When closing the door, make sure the vertical hinged section is in the correct position to avoid scratching the other door.
- If the vertical hinged section is reversed, put it back into the correct position, and then close the door.
- Moisture may form at times on the vertical hinged section.
- If you close a door by force, the other door may open.
- If the internal or external LED lamp is out of order, contact a local Samsung service center.

## **To secure more room for storage in the freezer compartment**

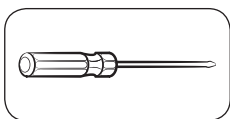
Remove one or more optional accessories such as shelf or shelves, and their supports, all of which can be removed manually without a tool.

- These optional accessories do not affect thermal and mechanical performance.
- A declared storage volume of the freezer is based on the nonexistence of those optional accessories.
- For best energy efficiency, make sure all shelves, drawers, and bins are placed in their original position.

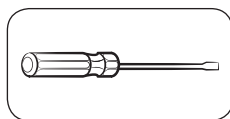
## Door removal for entrance

If the refrigerator cannot pass through the entrance due to its size, follow these instructions:

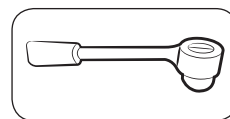
### Tools required (not provided)



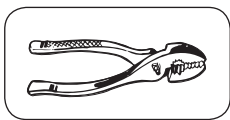
Phillips screwdriver



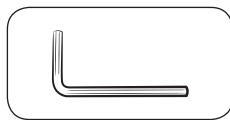
Flat-head screwdriver



Socket spanner (8 mm)

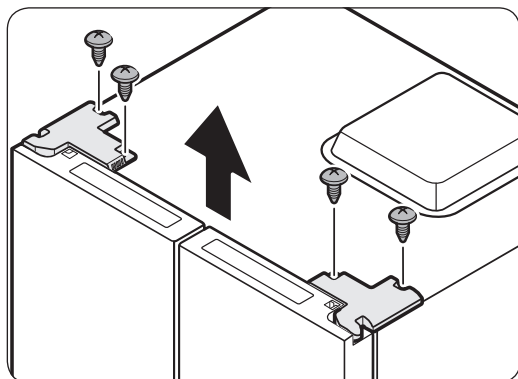


Pliers



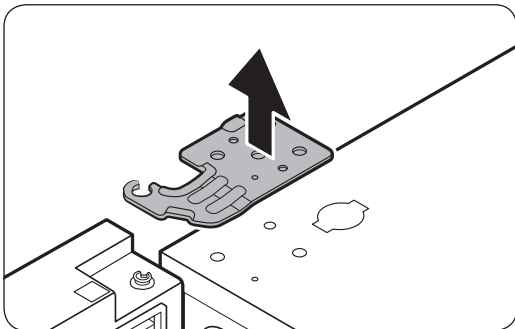
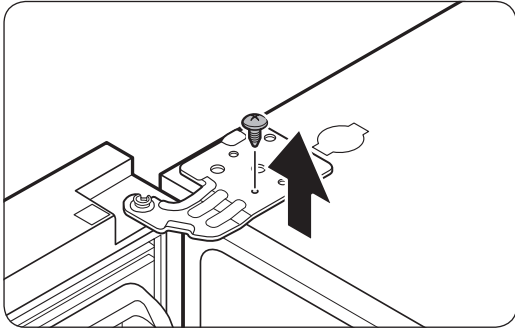
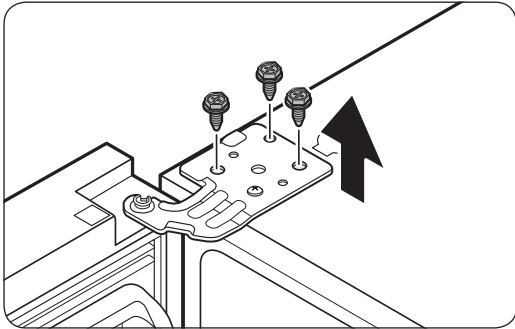
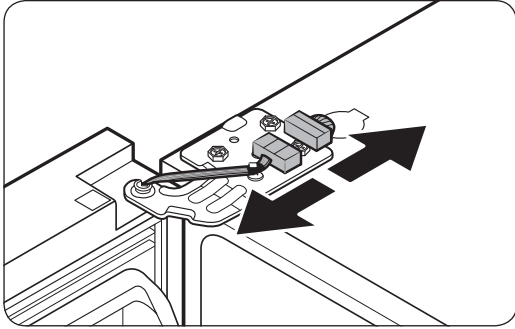
Allen spanner (4 mm)

### Detach the fridge doors



1. With the door closed, use a Phillips screwdriver to remove the screws (x4) from the cover hinge. Pull up and remove the top cover with the connectors.

# Installation



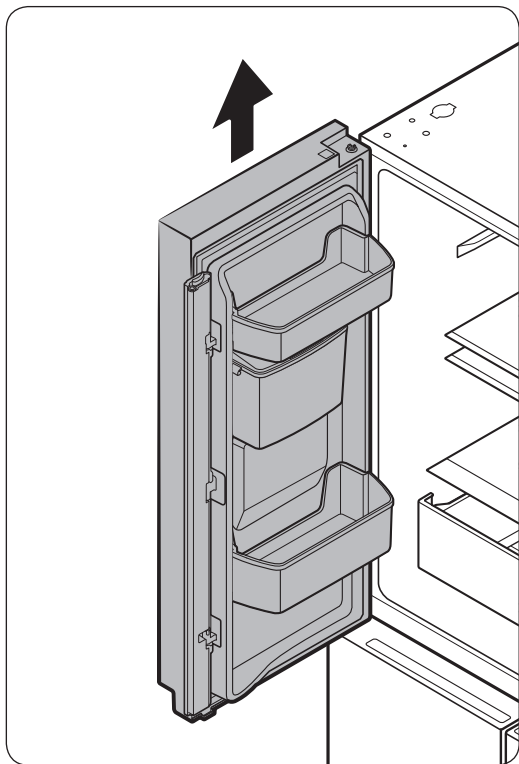
2. Disconnect electric wire on the top of the refrigerator.

**⚠ CAUTION**

- Do not remove both doors simultaneously. Make sure to remove one door at a time. Otherwise, any of the doors may fall and cause physical injury.
  - Make sure the refrigerator powers off before disconnecting the connectors.
3. Remove the 3 hex bolts that hold the hinge on the top of the refrigerator with the 8 mm socket spanner.

4. Remove the screw that holds the ground wire with a Phillips screwdriver (+).

5. Separate the hinge from the electric wire and ground wire as shown above.



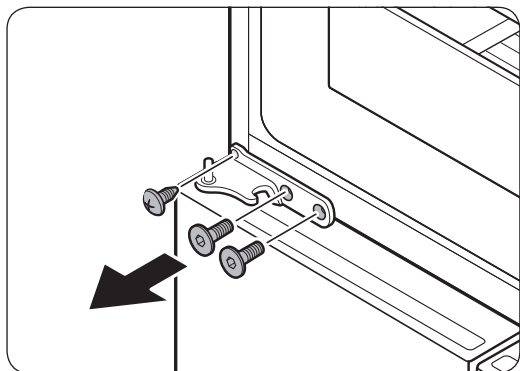
6. Lift the door straight up to remove.
7. Gently pull up the door vertically to remove. Do not apply excessive force to the door. The door may fall, causing physical injury.
8. Lay the door down on a flat surface.
9. Repeat the above steps for the other door.

# Installation

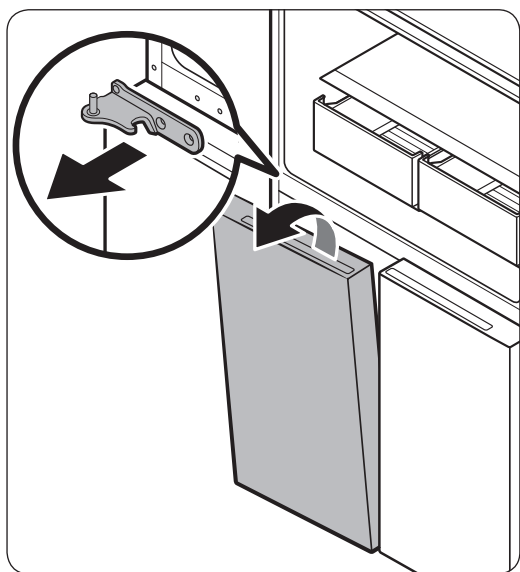
## Detach the freezer doors

### ⚠ CAUTION

Be sure to remove the fridge doors before removing the freezer doors.



1. Remove the screw attached to the left and right middle hinges with a philips screwdriver (+). Remove the 2 hex head bolts attached to the left and right middle hinges with an allen spanner (Ø 4 mm).

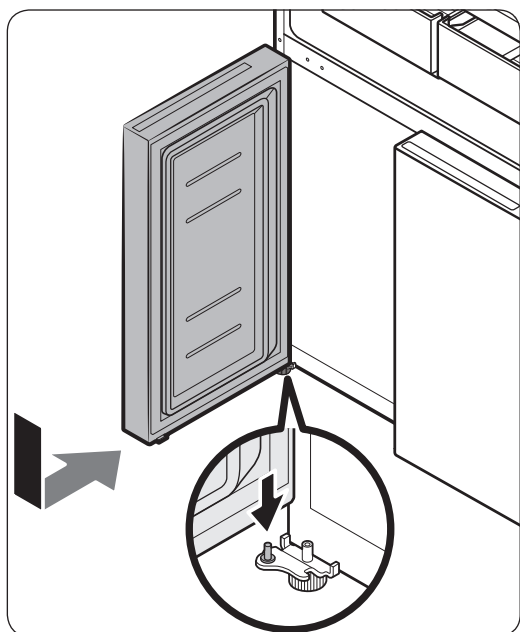


2. Remove the Middle Hinge connected to the Freezer.
3. Tilt the door to the front, and then gently lift it up to remove. Be careful not to touch the middle hinge, which may damage the door.
4. Repeat the above steps for the other door.

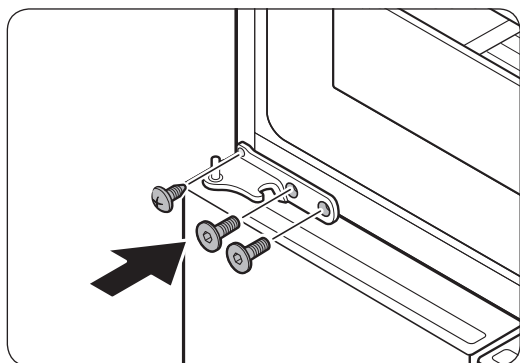
## Reattach the freezer doors

### ⚠ CAUTION

- Before reattaching the doors, make sure all the electrical connectors are properly connected.
- The freezer door must be reattached before the fridge door.



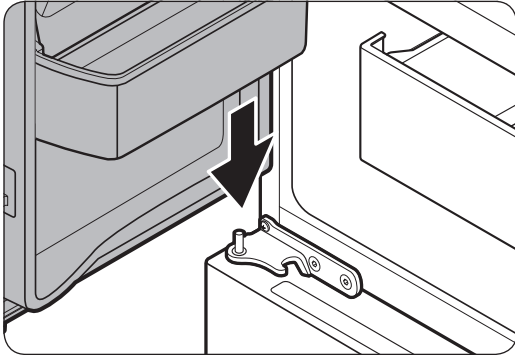
1. Insert the freezer door into the bottom hinge while pushing the freezer door in the arrow direction.



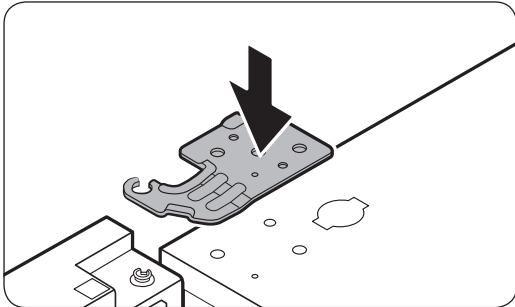
2. Repeat the above steps for the other door.

# Installation

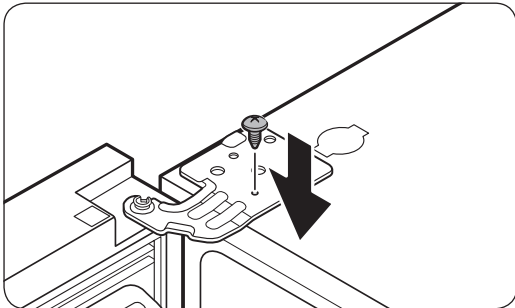
## Reattach the fridge doors



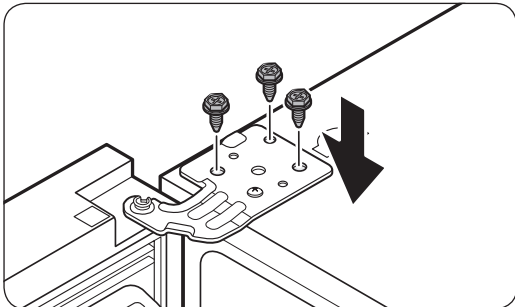
1. While holding the door open by more than 90 degrees, reinsert it into the middle hinge.



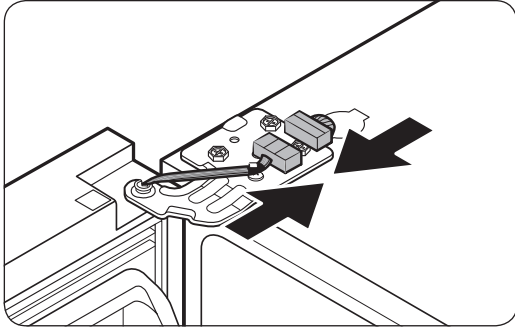
2. Put the top hinge into its position, and then insert into the top hole of the door.



3. Insert and tighten the ground screw into the left and right upper hinges with a Phillips screwdriver (+).



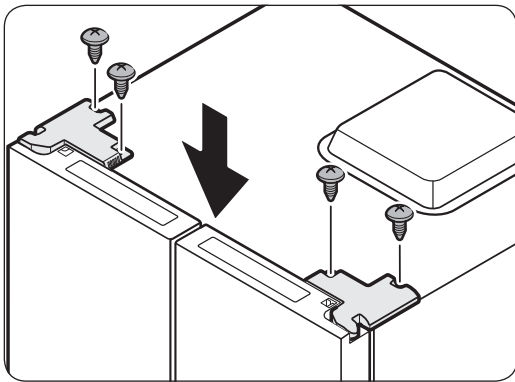
4. Insert and tighten the 3 hex head bolts into the left and right upper hinges with a socket wrench (8 mm).



5. Connect the wire connectors.

**⚠ CAUTION**

- Make sure the wire connectors are connected properly. Otherwise, the display does not operate.



6. Repeat the above steps for the other door.

7. Position the cover hinge in place. Then, tighten the screws (x4).

# Installation

## Step-by-step installation

### STEP 1 Select a site

Site requirements:

- Solid, level surface without carpeting or flooring that may obstruct ventilation
- Away from direct sunlight
- Adequate room for opening and closing the door
- Away from a heat source
- Room for maintenance and servicing
- Temperature range: between 10 °C and 43 °C

#### Effective temperature range

The refrigerator is designed to operate normally in the temperature range specified by its class rating.

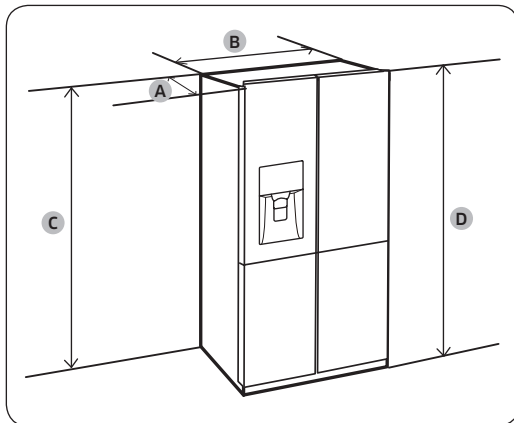
| Class              | Symbol | Ambient Temperature range (°C) |            |
|--------------------|--------|--------------------------------|------------|
|                    |        | IEC 62552 (ISO 15502)          | ISO 8561   |
| Extended Temperate | SN     | +10 to +32                     | +10 to +32 |
| Temperate          | N      | +16 to +32                     | +16 to +32 |
| Subtropical        | ST     | +16 to +38                     | +18 to +38 |
| Tropical           | T      | +16 to +43                     | +18 to +43 |

#### NOTE

The cooling performance and power consumption of the refrigerator may be affected by the ambient temperature, the door-opening frequency, and the location of the refrigerator. We recommend adjusting the temperature settings as appropriate.

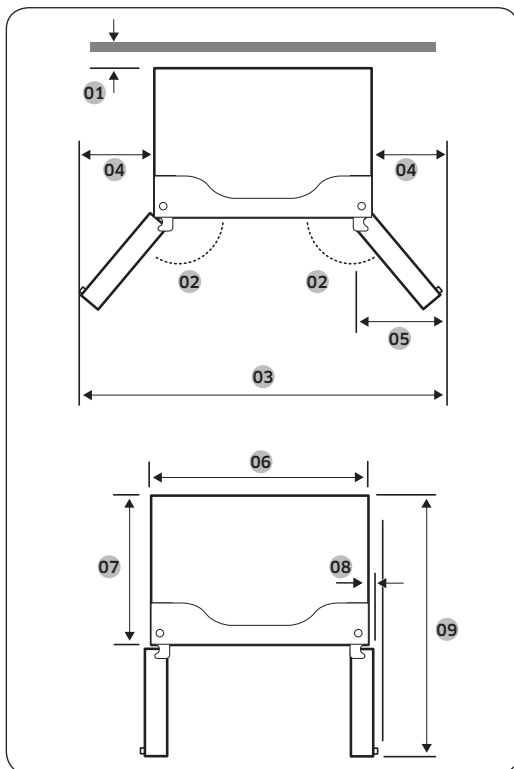
## Clearance

See the pictures and table below for space requirements for installation.



|                    |      |
|--------------------|------|
| Depth "A"          | 740  |
| Width "B"          | 833  |
| Height "C"         | 1793 |
| Overall Height "D" | 1775 |

(unit: mm)



**01** More than 50 mm

**02** 130°

**03** 1394 mm

**04** 282 mm

**05** 320 mm

**06** 830 mm

**07** 655 mm

**08** 36 mm

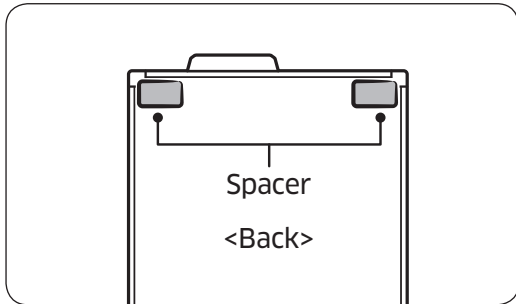
**09** 1088 mm

## NOTE

The measurements in the above table may differ, depending on the measuring method.

# Installation

## STEP 2 Flooring

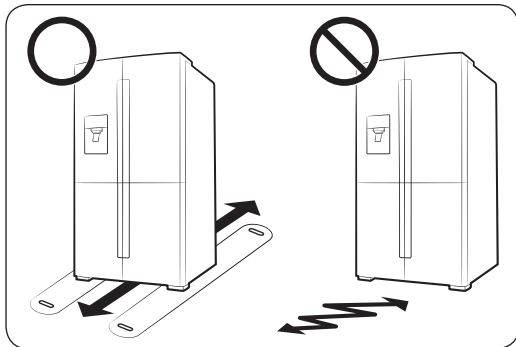


### NOTE

Remove paper on spacer and then attach a spacer (Gray block) on the back side of refrigerator for better performance. Make sure a spacer fix like above image when you install the refrigerator. It is improving the refrigerator performance.

If You set the refrigerator in furniture, the spacer should be removed for the door-flushing with furniture.

- The surface to install the refrigerator must support a fully loaded refrigerator.
- To protect the floor, put a large piece of cardboard on each leg of the refrigerator.
- Once the refrigerator is in its final position, do not move it unless necessary to protect the floor. If you have to, use a thick paper or cloth such as old carpets along the movement path.



### NOTE

If the refrigerator cannot pass through the entrance due to its size, see the Door removal for entrance section in the Installation chapter.

---

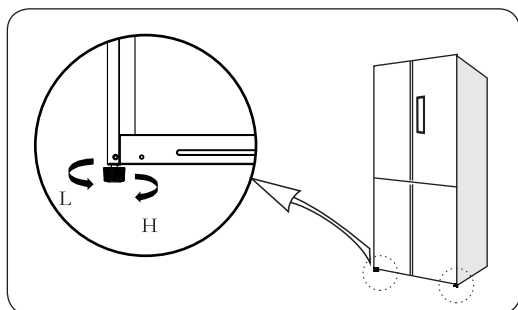
### STEP 3 Adjust the levelling feet

---

#### CAUTION

- The refrigerator must be levelled on a flat, solid floor. Failing to do so can cause damage to the refrigerator or physical injury.
- Levelling must be performed with an empty refrigerator. Make sure no food items remain inside the refrigerator.
- For safety reasons, adjust the front side a little higher than the rear side.

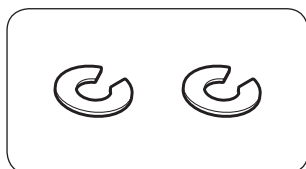
The refrigerator can be levelled using the front legs that have a special screw (leveller) for levelling purposes. Use a flat-head screwdriver for levelling.



- To adjust the height of the left side: Turn the leveller clockwise to raise, or turn it counter clockwise to lower.
- To adjust the height of the right side: Turn the leveller clockwise to raise, or turn it counter clockwise to lower.

# Installation

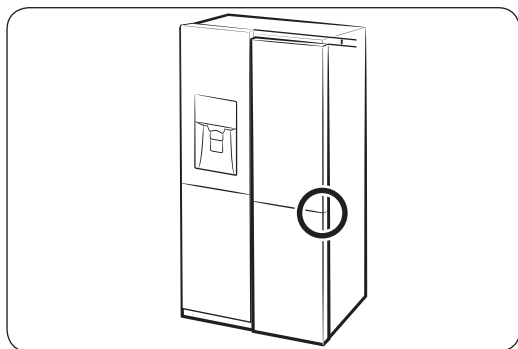
## STEP 4 Adjust the door height as well as the door gap



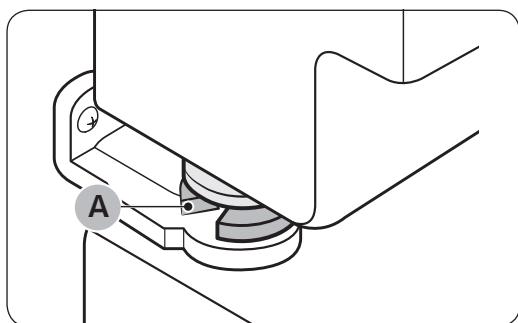
### Snap ring

The height of a door can be adjusted using the provided snap rings (1 mm).

To adjust the height of a door



1. Check the height difference between the doors, and then raise and hold the lower door.



2. Insert a suitable-sized snap ring (A) between the door and the hinge as shown.

### CAUTION

- Insert only one snap ring for this purpose. Two or more snap rings may slip out or make a rubbing noise.
- Keep the snap rings out of children's reach, and keep them for future use.
- Do not raise the door too much. The door can contact and damage the top cover.

---

## STEP 5 Initial settings

---

By completing the following steps, the refrigerator should be fully functioning.

1. Plug the power cord into the wall socket to turn the refrigerator on.
2. Open the door, and check if the interior light lights up.
3. Set the temperature to the coldest, and wait for about an hour. Then, the freezer will be slightly chilled, and the motor will run smoothly.
4. Wait until the refrigerator reaches the set temperature. Now the refrigerator is ready for use.

## STEP 6 Final check

---

When installation is complete, confirm that:

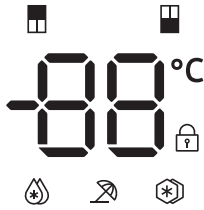
- The refrigerator is plugged into an electrical outlet and grounded properly.
- The refrigerator is installed on a flat, level surface with a reasonable clearance from the wall or the cabinet.
- The refrigerator is level and is sitting firmly on the floor.
- The door opens and closes freely, and the interior light turns on automatically when you open the door.

# Operations

---

## Feature panel

---



01 **Fridge**  
Power Cool (3 sec)

---

02 **Freezer**  
Power Freeze (3 sec)

---

03 **Vacation**  
(3 sec)

---

04 **Lock**  
(3 sec)


**01** Fridge / Power Cool

**02** Freezer / Power Freeze

**03** Vacation

**04** Lock

## 01 Fridge / Power Cool (3 sec)



|            |  |
|------------|--|
| Fridge     | <p>The <b>Fridge</b> button can be used to set the fridge temperature, or to activate/deactivate Power Cool.</p> <p>You can manually adjust the cooling temperature for the fridge. The temperature indicator informs you of the currently set or selected temperature. Keep pressing <b>Fridge</b> to select a desired temperature between 2 °C and 8 °C.</p>   |
| Power Cool | <p>Power Cool speeds up the cooling process at maximum fan speed. This is useful to quickly cool food that spoils quickly, or after the door is left open for some time. The fridge keeps running at full speed for several hours and then returns to the previous temperature.</p> <ul style="list-style-type: none"><li>• To activate Power fridge, press Fridge button 3 sec to select Power Cool. The corresponding indicator (  ) light up. After setting the Power Cool, the Power Cool time setting is 2.5 hours by acquiescence, if the fridge room temperature is not satisfied, Power Cool can activate until 6 hours and the Power Cool will exit automatically when the time arrives.</li></ul> |

### NOTE

When you change the temperature on the panel, the panel displays the actual temperature inside the refrigerator until the temperature matches the temperature you set. Then, the panel displays the new set temperature. Note that it will take time for the refrigerator to reach the new temperature. This is normal. During this time, you need not set the temperature again.

# Operations

## 02 Freezer / Power Freeze (3 sec)

|              |  |
|--------------|--|
| Freezer      | The <b>Freezer</b> button can be used to set the freezer temperature, or to activate Power Freeze. Available temperatures are between -16 °C and -24 °C.   |
| Power Freeze | <p>Power Freeze speeds up the freezing process at maximum fan speed. The freezer keeps running at full speed for several hours and then returns to the previous temperature.</p> <ul style="list-style-type: none"><li>• To activate Power Freeze, press Freezer button 3 sec to select Power Freeze. The corresponding indicator (  ) lights up, and the refrigerator speeds up the cooling process for you.</li><li>• To deactivate, press Freezer button 3 sec to select none. The corresponding indicator light off. The freezer returns to the previous temperature setting.</li><li>• To freeze large amounts of food, activate Power Freeze for at least 20 hours before putting food in the freezer.</li></ul> <p> <b>NOTE</b></p> <p>Using Power Freeze increases power consumption. Make sure you turn it off to return to the previous temperature if you do not intend to use it.</p> |


### **NOTE**

If the button does not activate, make sure the button is unlocked. Press and hold **Lock** for more than 3 seconds until the lock icon turns off.

---

### 03 Vacation (3 sec)


The Vacation button can be used to activate/deactivate Vacation mode.

If you are going on vacation or a business trip, or if you do not intend to use the refrigerator for an extended time, use the Vacation feature. Press and hold Vacation for 3 seconds to turn off the fridge operation with the Vacation indicator (  ) on.

#### NOTE

- It is strongly recommended to empty the fridge compartment and make sure the door is closed.
- If you want to change the fridge/freezer room temperature, press and hold vacation 3 seconds to turn off the vacation.

### 04 Lock (3 sec)

To prevent accidental manipulation, press and hold **Lock** for 3 seconds. All controls will be disabled with the indicator (  ) on.

To deactivate, press and hold again for 3 seconds. The controls will be enabled as normal.

# Operations

## Special features

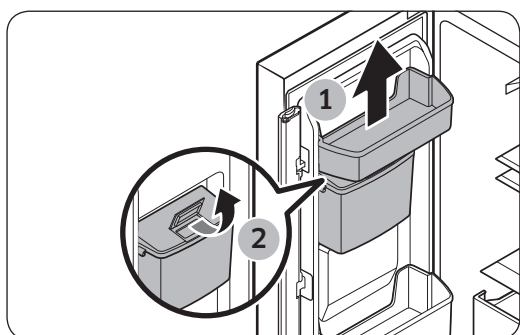
The refrigerator has features convenient for you.

### Water dispenser (dispenser models only)

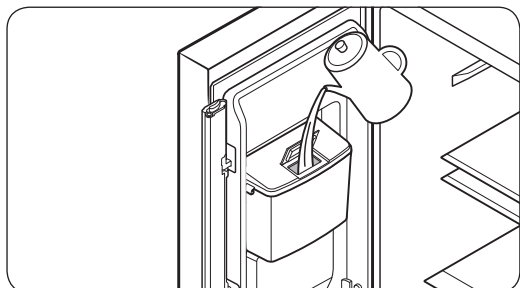
With the water dispenser, you can dispense water without opening the fridge door.

#### To fill the water tank with potable water

Open the door and locate the water tank that is surrounded by the door bins.



1. Remove the upper door bin first and open the water tank cover.



2. Fill the water tank with potable water up to 2 liters.

#### NOTE

For first-time use, clean inside the water tank. Clean the water tank with neutral detergent and running water. Rinse well.



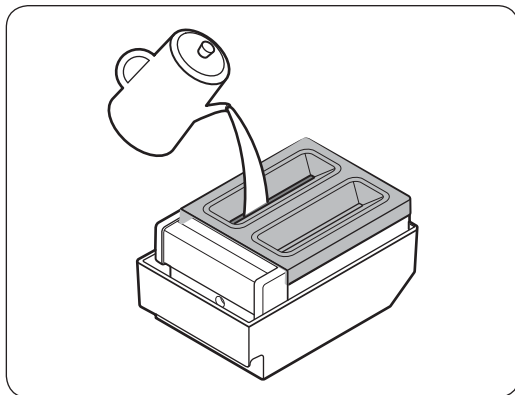
3. Reinsert the the upper door bin. check the water tank position if it is properly assembled.

**⚠ CAUTION**

- The water dispenser is designed to dispense potable water. Fill the water tank only with potable water. Do not fill with any other liquids.
- Do not fill the water tank excessively, which causes an overflow.
- Make sure that water tank is seated properly.
- Do not use the refrigerator without the water tank. This may reduce performance and efficiency.
- If you do not use the water dispenser for 2-3 days, the dispensed water may have an abnormal smell or taste. This is not a system failure. Discard the first 1-2 glasses of water.
- Remove the water completely before disassemble the water tank.

**Ice making (applicable models only)**

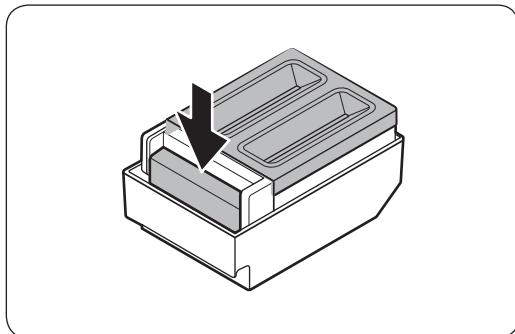
**Movable ice maker**



1. Take out the Movable ice maker from the freezer.
2. Fill the tray with water by the upper point of hole.

**📄 NOTE**

The ice making time depends on your temperature settings.

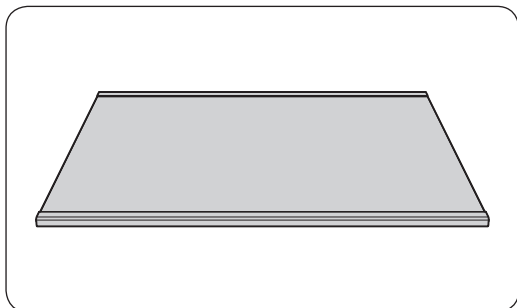


**📄 NOTE**

- To dispense the ice cubes, push the front of ice maker marked point.
- Take out the bin by slightly lifting and pulling to the front.

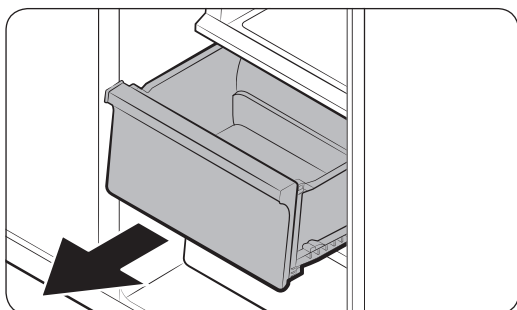
# Operations

## Freezer shelf (ASSY SHELF FRE)

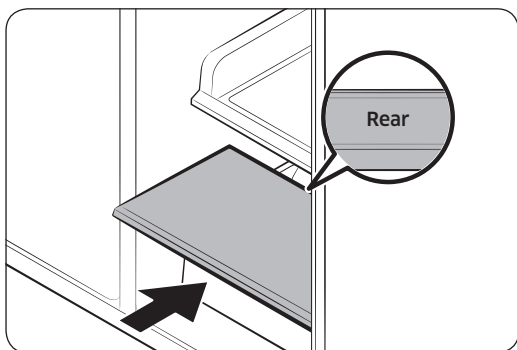


To secure more room in the freezer remove the **middle drawer** of the freezer, and then insert the **freezer shelf** between the middle and bottom drawers.

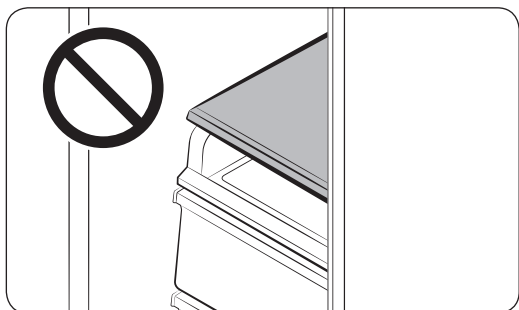
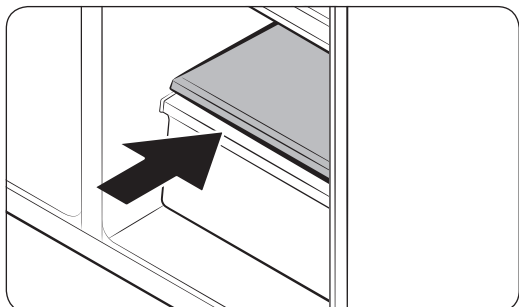
- The freezer shelf does not affect the thermal or mechanical performance of the refrigerator.
- Remove the protective film on the freezer shelf before use.



1. Slide open and remove the **middle drawer**.



2. Insert the **freezer shelf** in the position of the **middle drawer**. Make sure the **REAR** mark faces upward, which is located at the rear of the shelf.



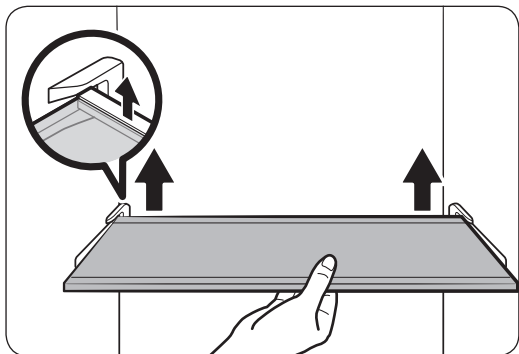
**⚠ CAUTION**

- The freezer shelf (ASSY SHELF FRE) is specifically designed to replace the **middle drawer** for additional storage room. Do not put the freezer shelf over on the **Sliding Shelf**.
- Make sure to insert the freezer shelf in the correct direction. Otherwise, it may be damaged.
- Keep the removed middle drawer in a safe place for future use.

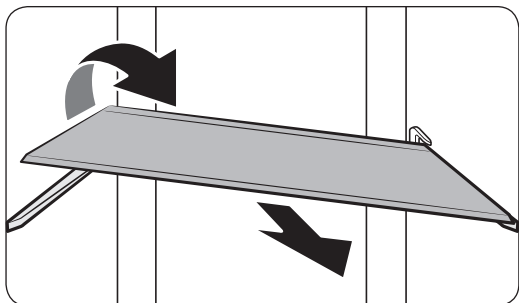
# Maintenance

## Handle and care

### Tempered glass shelves (fridge)



- Slightly lift up the rear side of the shelf to pull out.

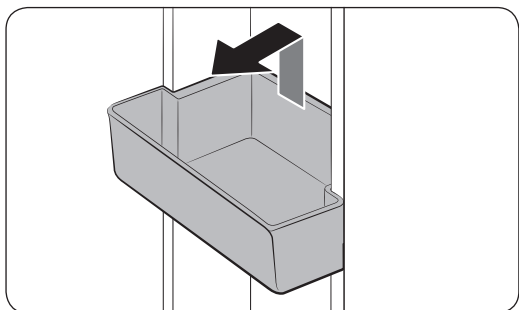


- Twist the shelf diagonally to remove.

#### ⚠ CAUTION

- The tempered glass shelves are heavy. Use caution when removing them.
- The shelf must be inserted correctly. Do not insert upside down.
- Glass containers may scratch the surface of glass shelves.

### Door bins

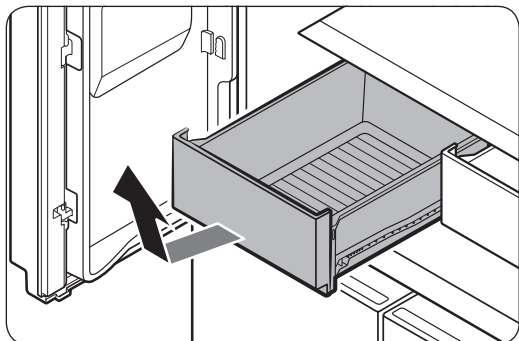


To remove the top door bin, hold the front sides of the bin, and then gently lift up to remove.

To reinsert, insert the door bin to the end of the marked line.

Hold the rear of the door bin with both hands, and then press down to fit into the marked line.

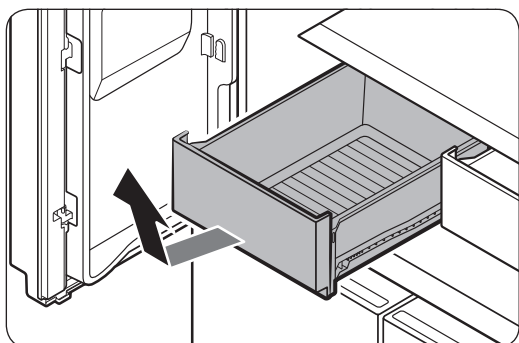
## Vegetable & fruit drawers



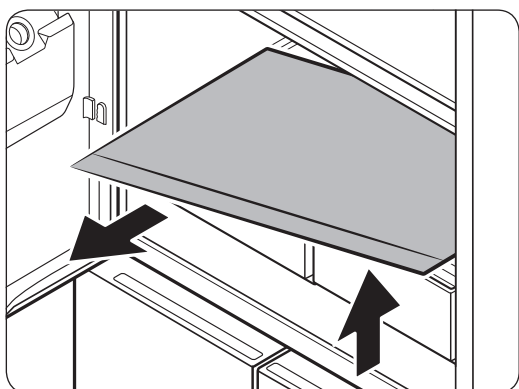
Gently lift up the front of the drawer and slide out.

It is recommended to remove the door bins before removing the drawer. This is to prevent damage to the door bins.

## Vegetable shelf



1. Slide out the left-sided vegetable drawer.



2. While supporting the vegetable shelf with one hand, slide out with the other hand.

### **NOTE**

Using the space that is revealed after removing the upper shelf, take out the vegetable shelf.

To reinsert, follow the steps above in the reverse order.

# Maintenance

---

## Cleaning

---

### Interior and exterior

#### **WARNING**

- Do not use benzene, thinner, or home/car detergent such as Clorox™ for cleaning purposes. They may damage the surface of the refrigerator and cause a fire.
- Do not spray water onto the refrigerator. This may cause electric shock.
- Do not put fingers or other objects into the dispenser hole.

Regularly use a dry cloth to remove all foreign substances such as dust or water from the power plug terminals and contact points.

1. Unplug the power cord.
2. Use a moistened, soft, lint-free cloth or paper towel to clean the refrigerator's interior and exterior.
3. When done, use a dry cloth or paper towel to dry well.
4. Plug in the power cord.

## Replacement

---

### LED Lamps

To replace the lamps of the refrigerator, contact a local Samsung service centre.

#### **WARNING**

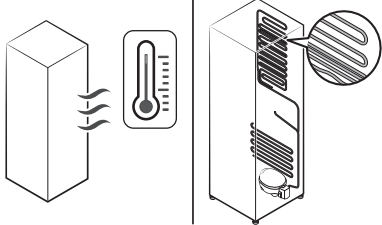
The lamps are not user-serviceable. Do not attempt to replace a lamp yourself. This can cause electric shock.

# Troubleshooting

Before calling for service, review the checkpoints below. Any service calls regarding normal situations (No Defect Cases) will be charged to users.

## General

### Temperature

| Symptom   | Possible causes  | Solution   |
|---|--|--|
| Fridge/freezer does not operate.<br>Fridge/freezer temperature is warm. | <ul style="list-style-type: none"> <li>Power cord is not plugged in properly.</li> </ul>                                   | <ul style="list-style-type: none"> <li>Properly plug in the power cord.</li> </ul>   |
|   | <ul style="list-style-type: none"> <li>Temperature control is not set correctly.</li> </ul>                                | <ul style="list-style-type: none"> <li>Set the temperature lower.</li> </ul>   |
|   | <ul style="list-style-type: none"> <li>Refrigerator is located near a heat source or direct sunlight.</li> </ul>           | <ul style="list-style-type: none"> <li>Keep the refrigerator away from direct sunlight or a heat source.</li> </ul>  |
|   | <ul style="list-style-type: none"> <li>Not enough clearance between refrigerator and sides/rear.</li> </ul>                | <ul style="list-style-type: none"> <li>Make sure there are at least 5 cm from the rear and sides.</li> </ul>   |
|   | <ul style="list-style-type: none"> <li>Vacation mode is activated.</li> </ul>  | <ul style="list-style-type: none"> <li>Deactivate vacation mode.</li> </ul>  |
|   | <ul style="list-style-type: none"> <li>The refrigerator is overloaded. Food is blocking the refrigerator vents.</li> </ul> | <ul style="list-style-type: none"> <li>Do not overload the refrigerator. Do not allow food to block ventilation.</li> </ul>  |
| Fridge/freezer is over-cooling.   | <ul style="list-style-type: none"> <li>Temperature control is not set correctly.</li> </ul>                                | <ul style="list-style-type: none"> <li>Set the temperature higher.</li> </ul>  |
| Interior wall is hot.   | <ul style="list-style-type: none"> <li>Refrigerator has heat-proof piping in the interior wall.</li> </ul>                 | <ul style="list-style-type: none"> <li>To prevent condensation from forming, the refrigerator has heat-proof piping in the front corners. If the ambient temperature rises, this equipment may not work effectively. This is not a system failure.</li> </ul>  |

# Troubleshooting

## Odors

| Symptom                 | Possible causes   | Solution  |
|-------------------------|---|---|
| Refrigerator has odors. | <ul style="list-style-type: none"> <li>Spoiled food.</li> </ul>           | <ul style="list-style-type: none"> <li>Clean the refrigerator and remove any spoiled food.</li> </ul> |
|                         | <ul style="list-style-type: none"> <li>Food with strong odors.</li> </ul> | <ul style="list-style-type: none"> <li>Make sure strong smelling food is wrapped airtight.</li> </ul> |

## Frost

| Symptom                          | Possible causes   | Solution   |
|----------------------------------|---|--|
| Frost around the vents.          | <ul style="list-style-type: none"> <li>Food is blocking the vents.</li> </ul>                             | <ul style="list-style-type: none"> <li>Make sure no food blocks the refrigerator vents.</li> </ul>               |
| Frost on interior walls.         | <ul style="list-style-type: none"> <li>Door is not closed properly.</li> </ul>                            | <ul style="list-style-type: none"> <li>Make sure food does not block the door. Clean the door gasket.</li> </ul> |
| Fruits or vegetables are frozen. | <ul style="list-style-type: none"> <li>Fruits or vegetables are stored in the Fresh/Chef Zone.</li> </ul> | <ul style="list-style-type: none"> <li>The Fresh/Chef Zone is only for meat/fish.</li> </ul>                     |

## Condensation

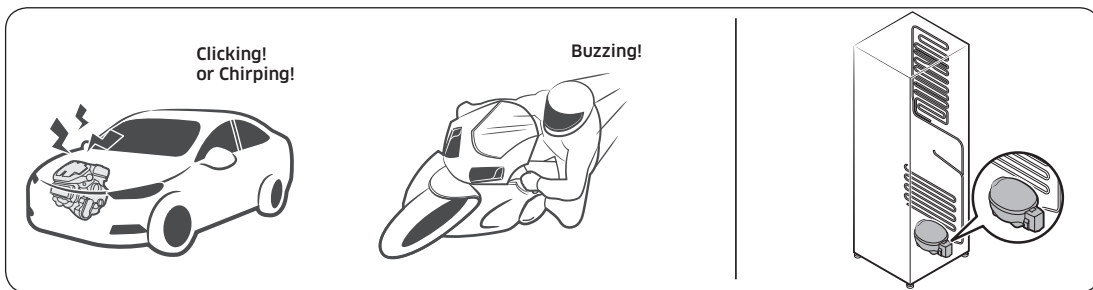
| Symptom                                   | Possible causes   | Solution  |
|---|---|---|
| Condensation forms on the interior walls. | <ul style="list-style-type: none"> <li>If door is left open, moisture enters the refrigerator.</li> </ul> | <ul style="list-style-type: none"> <li>Remove the moisture and do not open the door for a long time.</li> </ul> |
|   | <ul style="list-style-type: none"> <li>Food with high moisture content.</li> </ul>                        | <ul style="list-style-type: none"> <li>Make sure food is wrapped airtight.</li> </ul>                           |

## Do you hear abnormal sounds from the refrigerator?

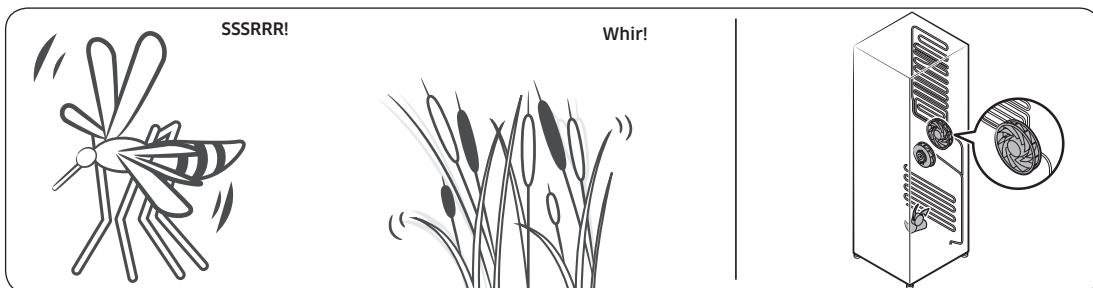
Before calling for service, review the checkpoints below. Any service calls related to normal sounds will be charged to the user.

### These sounds are normal.

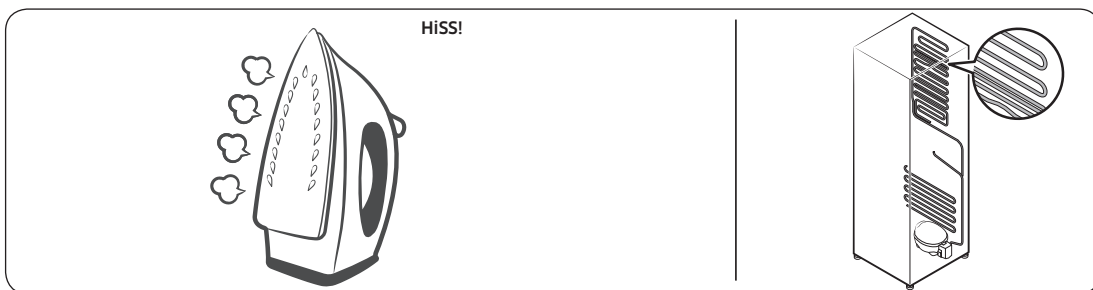
- When starting or ending an operation, the refrigerator may make sounds similar to a car engine igniting. As the operation stabilizes, the sounds will decrease.



- While the fan is operating, these sounds may occur. When the refrigerator reaches the set temperature, no fan sound will occur.

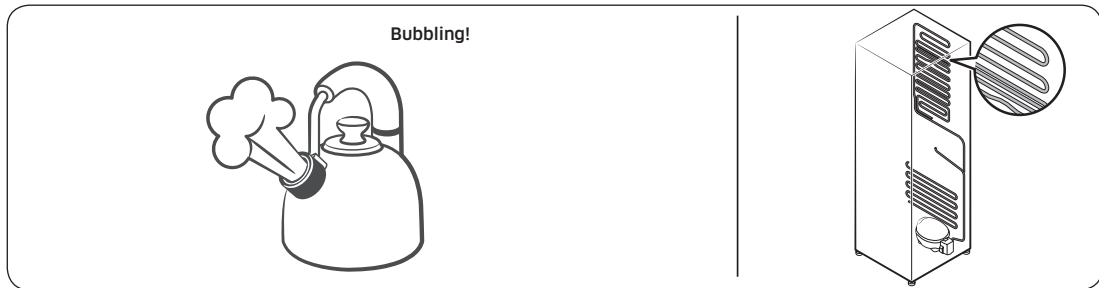


- During a defrost cycle, water may drip on the defrost heater, causing sizzling sounds.

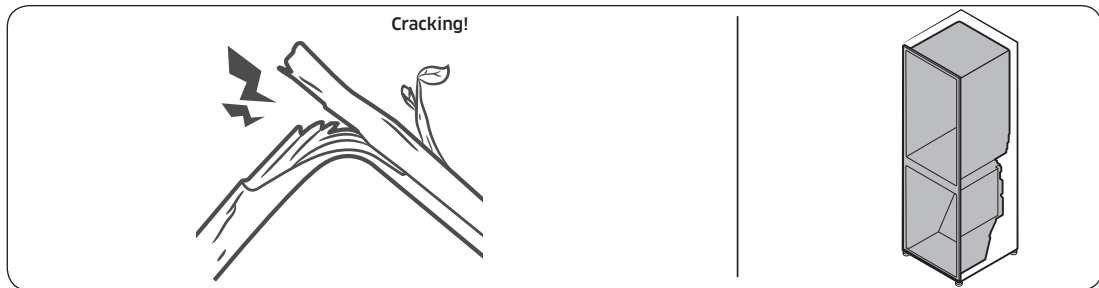


# Troubleshooting

- As the refrigerator cools or freezes, refrigerant gas moves through sealed pipes, causing bubbling sounds.



- As the refrigerator temperature increases or decreases, plastic parts contract and expand, creating knocking noises. These noises occur during the defrosting cycle or when electronic parts are working.



- For ice maker models: When the water valve opens to fill the ice maker, buzzing sounds may occur.
- Due to pressure equalizing when opening and closing the refrigerator door, whooshing sounds may occur.

# Memo

---

# Memo

---

# Memo

---

**Contact SAMSUNG WORLD WIDE**

If you have any questions or comments relating to Samsung products, please contact the SAMSUNG customer care center.

| Country     | Contact Center  | Web Site   |
|-------------|---|--|
| AUSTRALIA   | 1300 362 603 (Other)<br>1300 425 299 (HHP)                                      | <a href="http://www.samsung.com/au/support">www.samsung.com/au/support</a> |
| NEW ZEALAND | 0800 726 786 (All Product)<br>0800 6 726 786 (Support for Smart Mobile Devices) | <a href="http://www.samsung.com/nz/support">www.samsung.com/nz/support</a> |
| MALAYSIA    | 1800-22-8899 (HHP)<br>1800-88-9999 (OTH)<br>+603-7713 7420 (Overseas contact)   | <a href="http://www.samsung.com/my/support">www.samsung.com/my/support</a> |

