

OPERATOR'S MANUAL

MANUEL D'UTILISATION

MANUAL DEL OPERADOR

TOW BEHIND DUMP CART

CHARIOT-REMORQUE À BASCULE

CARRO DE VOLTEO DE REMOLQUE

ACRM025

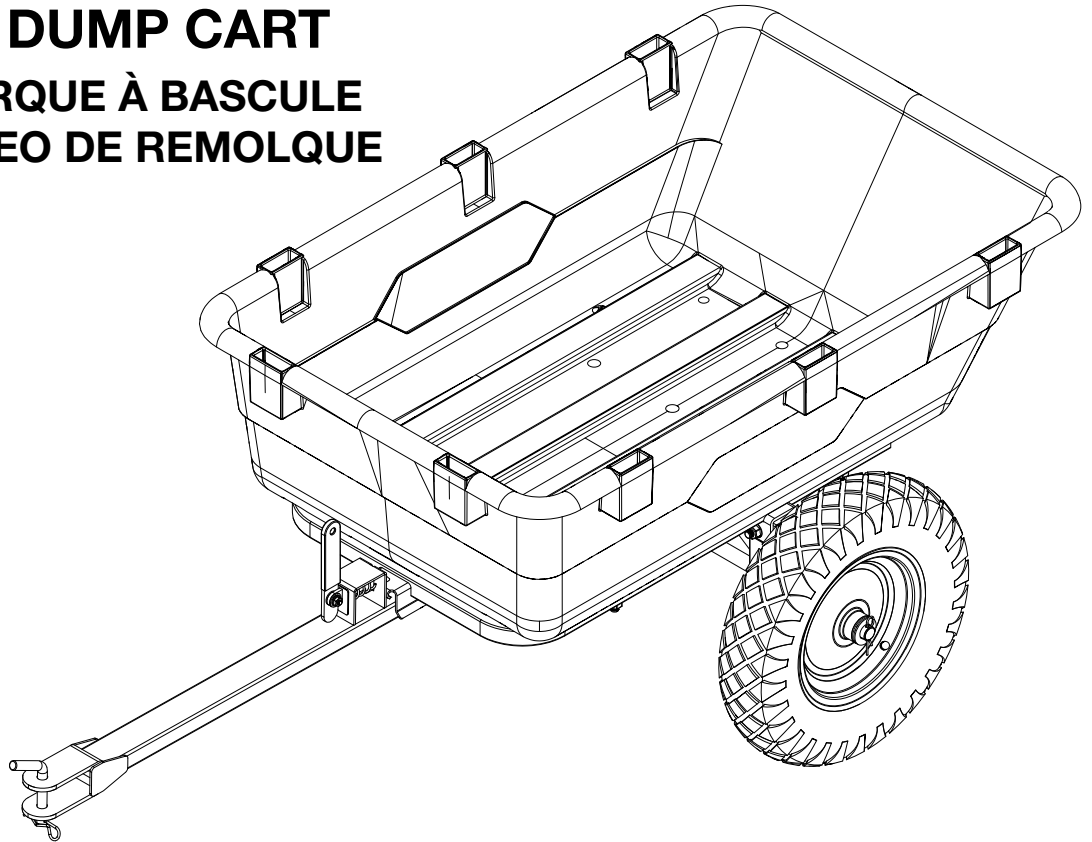


TABLE OF CONTENTS

- Important Safety Instructions..... 2-3
- Symbols 4
- Assembly 4-5
- Operation 6
- Maintenance 7
- Parts Ordering/Service..... Back Page

TABLE DES MATIÈRES

- Instructions importantes concernant la sécurité..... 2-4
- Symboles 4
- Assemblage 4-5
- Utilisation 6-7
- Entretien..... 7
- Commande de pièces / réparation..... Page arrière

ÍNDICE DE CONTENIDO

- Instrucciones de seguridad importantes 2-4
- Símbolos 4
- Armado 4-5
- Funcionamiento 6-7
- Mantenimiento 7
- Pedidos de piezas/ servicio..... Pág. posterior

⚠ WARNING: To reduce the risk of injury, the user must read and understand the operator's manual before using this product.

⚠ AVERTISSEMENT : Pour réduire les risques de blessures, l'utilisateur doit lire et veiller à bien comprendre le manuel d'utilisation avant d'employer ce produit.

⚠ ADVERTENCIA: Para reducir el riesgo de lesiones, el usuario debe leer y comprender el manual del operador antes de usar este producto.

SAVE THIS MANUAL FOR FUTURE REFERENCE

CONSERVER CE MANUEL POUR FUTURE RÉFÉRENCE

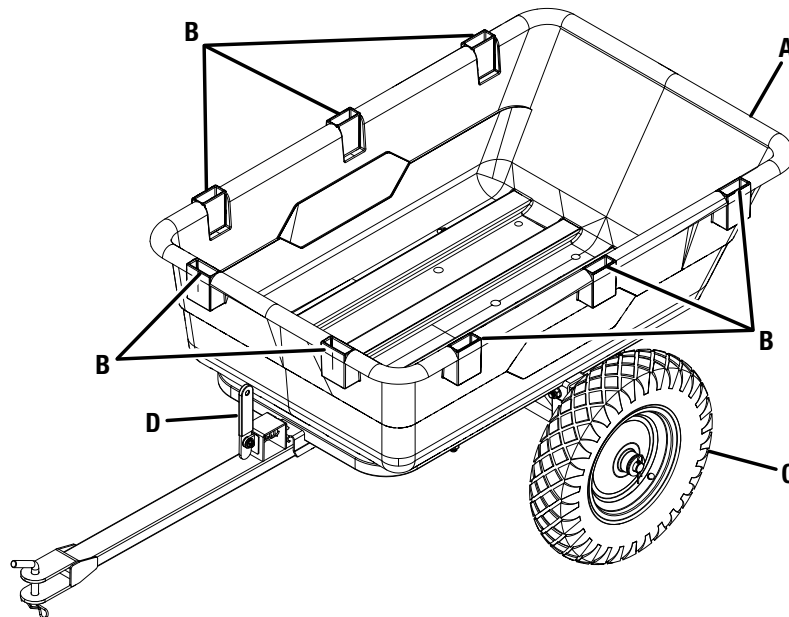
GUARDE ESTE MANUAL PARA FUTURAS CONSULTAS

See this fold-out section for all of the figures referenced in the operator's manual.

Consulter l'encart à volets afin d'examiner toutes les figures mentionnées dans le manuel d'utilisation.

Consulte esta sección desplegable para ver todas las figuras a las que se hace referencia en el manual del operador.

Fig. 1



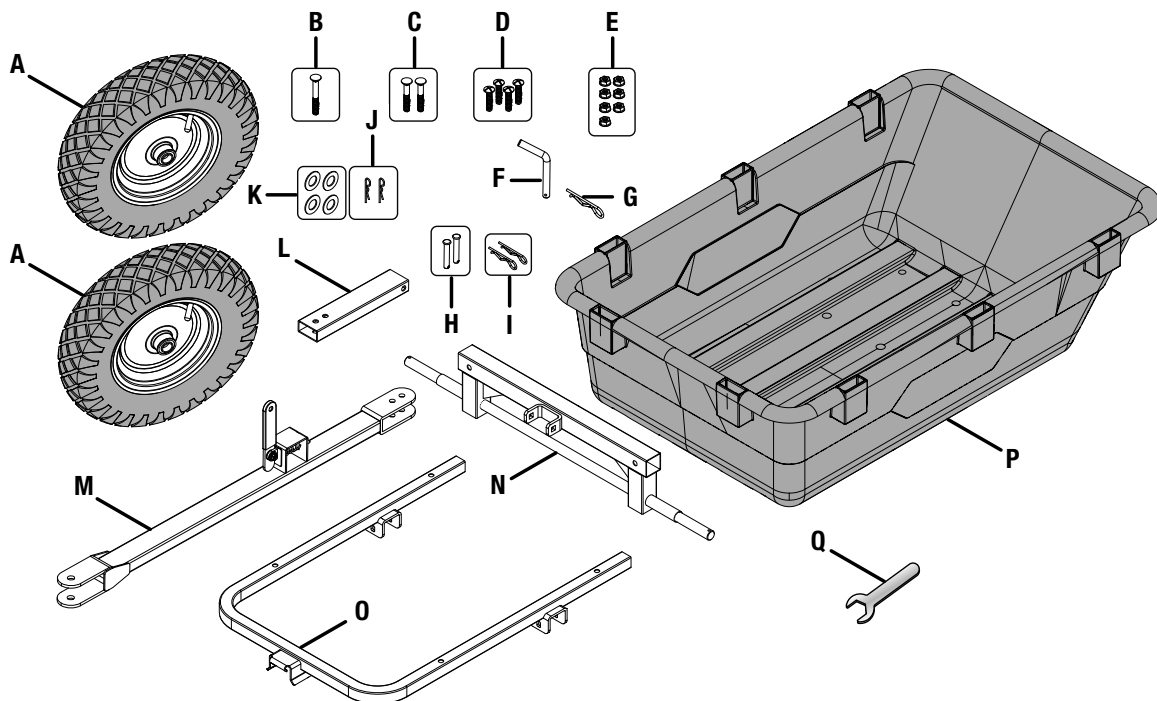
A - Tub (cuve, cubo)

B - Fencing slots (fentes pour clôture, ranuras para vayas)

C - Wheel (roue, rueda)

D - Quick release dumping latch (loquet de déversement à dégageement rapide, pestillo de descarga de liberación rápida)

Fig. 2



A - Wheel (roue, rueda)

B - Extension bar carriage bolt (boulon de carrosserie de la barre de rallonge, perno del carruaje de la barra de extensión)

C - Axle carriage bolt (boulon de carrosserie d'essieu, perno de carruaje de eje)

D - Tub bolt (boulon pour cuve, perno de cubo)

E - Lock nut (écrou de blocage, tuerca de bloqueo)

F - Hitch pin (goupille d'attelage, pasador de enganche)

G - Hitch pin R-clip (pince R de la goupille d'attelage, gancho en R del pasador de enganche)

H - Pin (goupille, pasador)

I - Pin R-clip (pince R de goupille, gancho en R para pasador)

J - Wheel clip (pince de roue, gancho de la rueda)

K - Washer (rondelle, arandela)

L - Extension bar (barre de rallonge, barra de extensión)

M - Tow bar (barre de remorquage, barra de remolque)

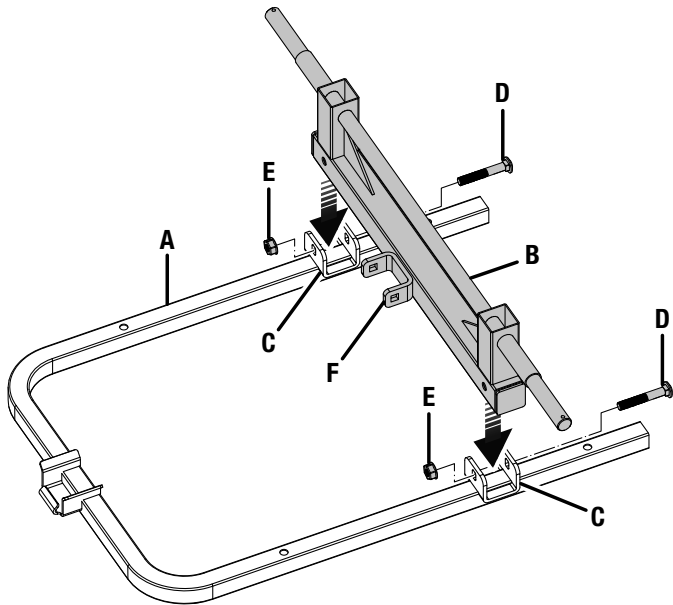
N - Axle (essieu, eje)

O - Frame (cadre, marco)

P - Tub (cuve, cubo)

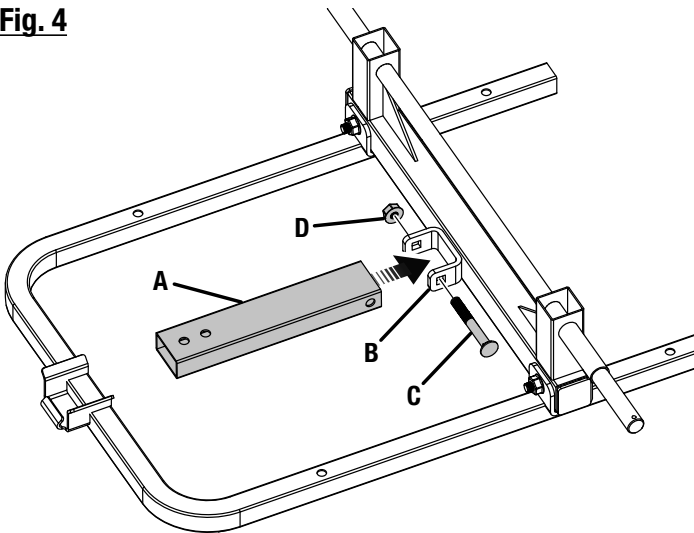
Q - Wrench (clé, llave)

Fig. 3



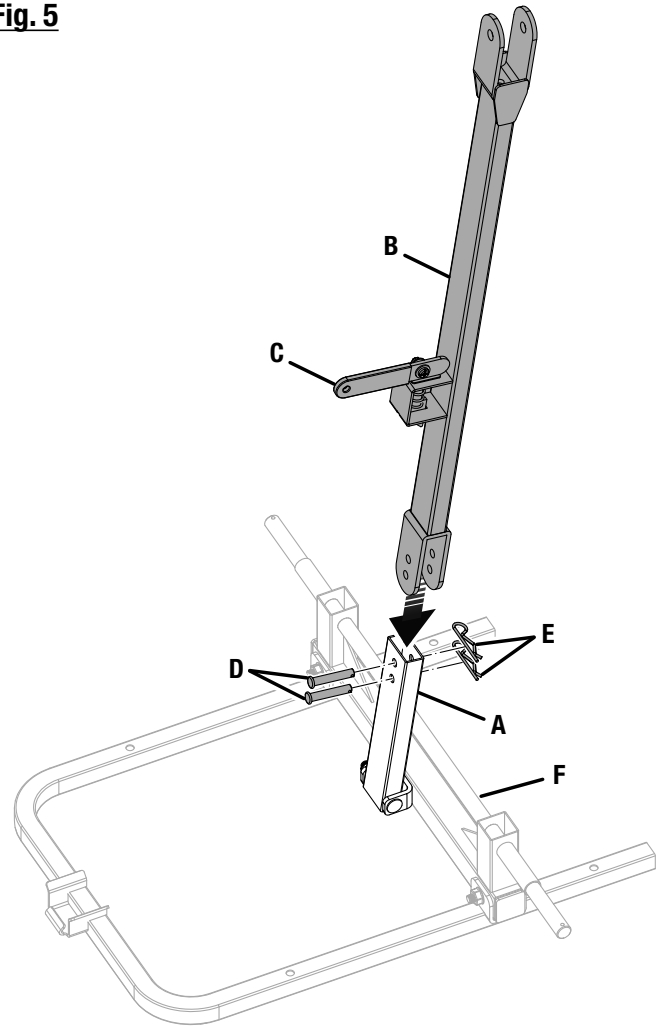
- A - Frame (cadre, marco)
- B - Axle (essieu, eje)
- C - Frame bracket (support du cadre, soporte del marco)
- D - Axle carriage bolt (boulon de carrosserie d'essieu, perno de carruaje de eje)
- E - Nut (écrou, tuerca)
- F - Axle bracket (support d'essieu, soporte del eje)

Fig. 4



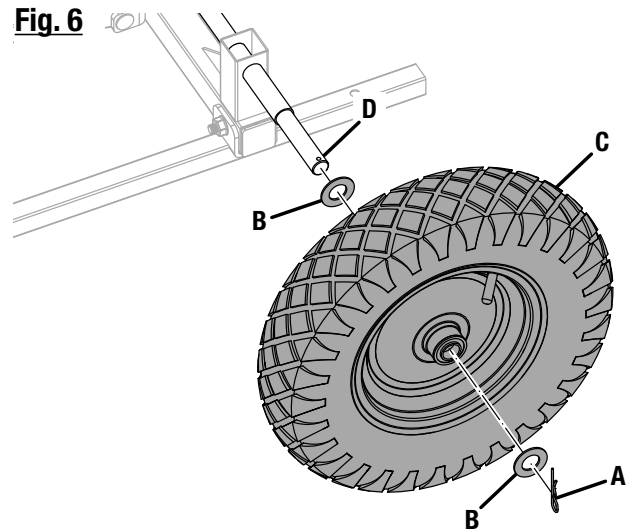
- A - Extension bar (barre de rallonge, barra de extensión)
- B - Axle bracket (support d'essieu, soporte del eje)
- C - Extension bar carriage bolt (boulon de carrosserie de la barre de rallonge, perno del carruaje de la barra de extensión)
- D - Nut (écrou, tuerca)

Fig. 5



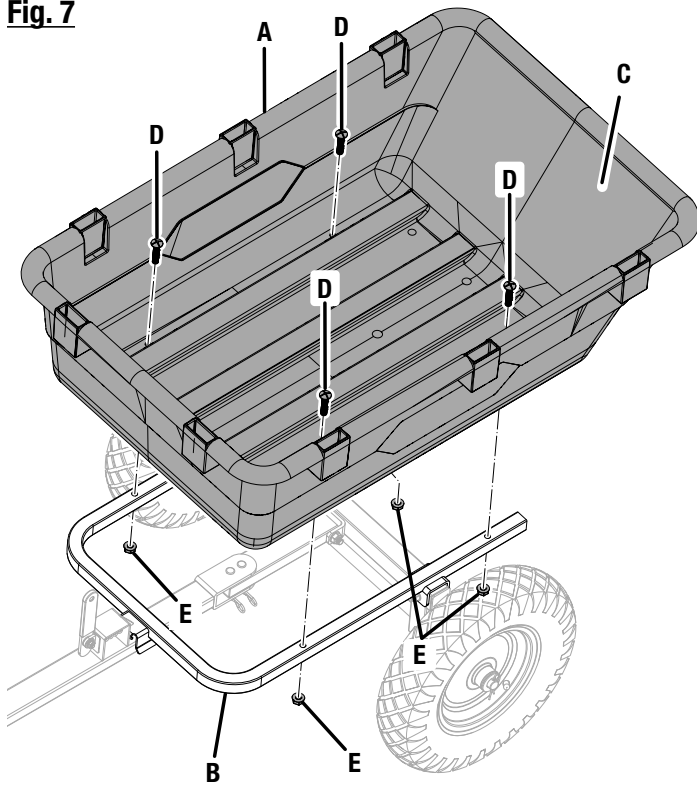
- A - Extension bar (barre de rallonge, barra de extensión)
- B - Tow bar (barre de remorquage, barra de remolque)
- C - Dumping latch (loquet de déversement, pestillo de descarga)
- D - Pin (goupille, pasador)
- E - Pin R-clip (pince R de goupille, gancho en R para pasador)
- F - Axle (essieu, eje)

Fig. 6



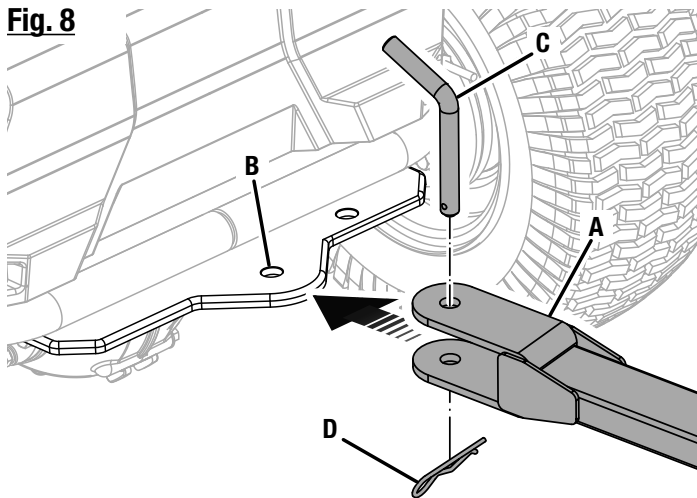
- A - Wheel clip (pince de roue, gancho de la rueda)
- B - Washer (rondelle, arandela)
- C - Wheel (roue, rueda)
- D - Axle (essieu, eje)

Fig. 7



- A - Tub (cuve, cubo)
- B - Frame assembly (cadre assemblé, marco ensamblado)
- C - Sloped face (face inclinée, cara inclinada)
- D - Tub bolt (boulon pour cuve, perno de cubo)
- E - Nut (écrou, tuerca)

Fig. 8



- A - Tow bar (barre de remorquage, barra de remolque)
- B - Hitch point (point d'attelage, punto de enganche)
- C - Hitch pin (goupille d'attelage, pasador de enganche)
- D - Hitch pin R-clip (pince R de la goupille d'attelage, gancho en R del pasador de enganche)

Fig. 9

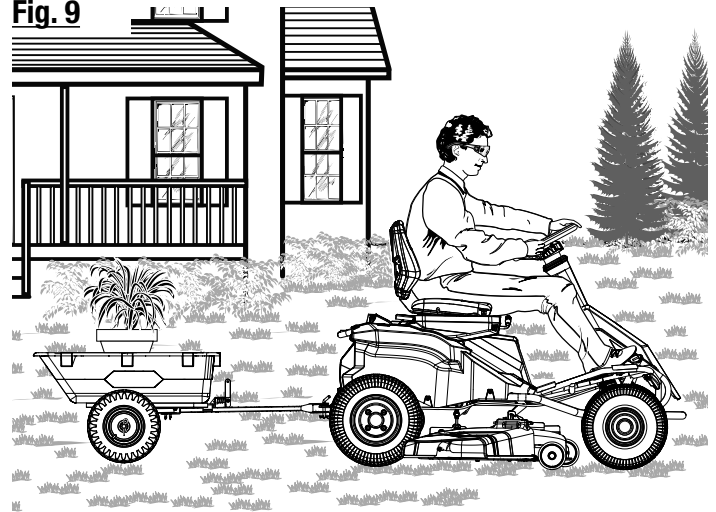
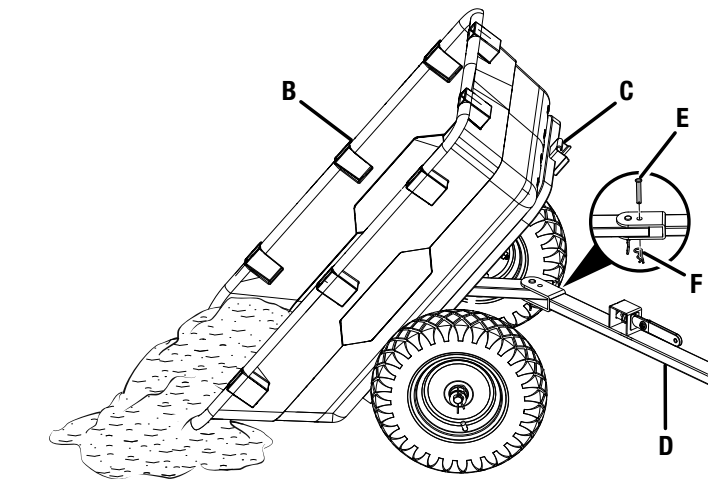
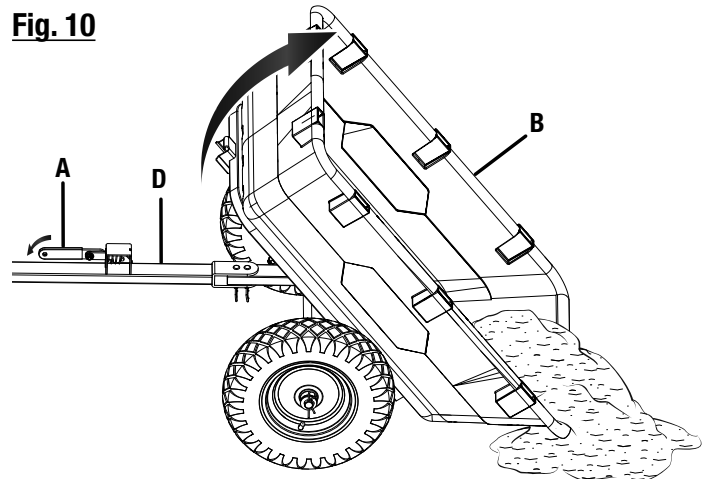


Fig. 10



- A - Dumping latch (loquet de déversement, pestillo de descarga)
- B - Tub (cuve, cubo)
- C - Frame assembly bracket (support de l'ensemble du cadre, soporte del conjunto del marco)
- D - Tow bar (barre de remorquage, barra de remolque)
- E - Pin (goupille, pasador)
- F - Pin R-clip (pince R de goupille, gancho en R para pasador)

IMPORTANT SAFETY INSTRUCTIONS

WARNING!

To reduce the risk of injury, user must read and understand the operator's manual for their lawn mower before using this accessory. Save these instructions. Refer to them frequently and use them to instruct other users. If you loan someone this product, loan them these instructions also.

WARNING!

Risk of explosion or fire. Never place gas containers or other flammable liquids in cart.

WARNING!

Never carry passengers. They may fall out and be seriously injured or killed.

WARNING!

This attachment was designed to be operated according to the safe operating practices in this manual. Mowers are capable of amputating hands and feet and throwing objects. Failure to comply with the following safety instructions, as well as the safety instructions provided with your mower, could result in serious injury or death.

CAUTION:

TO HELP PREVENT SERIOUS INJURY DUE TO LOSS OF STABILITY OR CONTROL: Do not exceed maximum towing capacity of towing vehicle. Do not exceed maximum weight capacity of cart. Reduce loaded cart weight on slopes and slippery surfaces. This product is not to be used for road service. Do not exceed 8 mph when towing cart.

CAUTION:

The misuse of this attachment, the cart load distribution, towing vehicle weight distribution, speed, and turning radius, can result in severe injury or death to the operator, damage to the towing vehicle, and/or damage to the attachment. Follow all safety instructions in this operator's manual, as well as the towing safety instructions in the towing vehicle operator's manual.

- Stop motors, set the parking brake, and wait for all moving parts to stop before installing/removing tow behind dump cart.
- The tow behind dump cart was designed to have a maximum towing capacity of 500 lbs.

- The combined weight of the towing vehicle (tow vehicle weight + operator weight) must be greater than the maximum combined weight of tow behind dump cart and load.
- Do not exceed maximum towing capacity of towing vehicle.
- Never exceed the maximum drawbar pull rating of the towing vehicle. Drawbar pull is the towing force needed to pull the maximum combined weight of the tow behind dump cart and load.
- Only pull tow behind dump cart in the vehicle's tow mode/speed setting or less than 8 mph. Do not exceed 8 mph.
- Operate vehicle at a speed slow enough to maintain control. Avoid holes and other obstacles. Proceed with caution when traveling over rough terrain.
- Slow down before turning and never make sharp turns.
- Ensure tow behind dump cart follows towing vehicle path by using wide turning angles.
- Secure all loads to prevent tipping or falling from the cart. Distribute load evenly throughout the cart.
- Use caution when loading and unloading the cart.
- Never use tow behind dump cart on steep slopes. Heavy loads could result in loss of control or overturning of cart and towing vehicle. Additional weights may need to be added to your vehicle; consult your towing vehicle manufacturer for recommendations.
- Always reduce towed weight when operating cart on slopes. Excessive loads can cause loss of traction and control.
- Drive slowly and gradually when operating on slopes. Never make abrupt changes in speed, directions, or turning.
- Abrupt starting and stopping on slopes or hills, can result in loss of steering control or the tipping of the tow behind dump cart.
- Never make sudden starts or stops when traveling uphill or downhill. Avoid uphill starts whenever possible.
- Drive slowly and with additional caution when operating on slopes or hillsides. Vehicle stability may be affected by turf conditions. Operate with the utmost caution while close to drop-offs.
- Never operate next to creeks, ditches and public highways.
- Watch out for traffic when operating close to roadways.
- Use care when loading or unloading tow vehicle/cart into a trailer or truck.
- Take additional care when reversing tow vehicle. The tow behind dump cart can obstruct the view to the rear.
- Do not reverse tow vehicle at an angle to avoid jackknifing. Never allow tow behind dump cart wheels to contact tow bar. Damage could result.

IMPORTANT SAFETY INSTRUCTIONS

- Stop motors, set the parking brake, and wait for all moving parts to stop before leaving the operator's position for any reason including emptying the attachment.
- Only use this attachment for its intended purpose.
- This accessory is designed to be used with riding mowers. Do not tow this product behind a motor vehicle such as a car or truck.
- Always wear substantial footwear that will protect your feet. Do not wear loose fitting clothing that can get caught in moving parts.
- Stay alert. Watch what you are doing. Use common sense. Do not operate tow behind dump cart while distracted.
- Watch for holes, ruts, bumps, rocks, or other hidden objects. Tall grass can hide obstacles.
- Maintain towing vehicle and attachment in good operating condition. Operate with all safety devices in place.
- Stop and inspect towing vehicle and attachment for damage after striking a foreign object. Never operate damaged equipment.
- Maintain all parts in good condition and properly installed. Repair damaged parts immediately. Replace worn or damaged parts. Replace all worn or damaged safety and instruction labels. Regularly tighten all fasteners.
- Never modify the attachment or safety devices. Unauthorized modifications to the towing vehicle or attachment may damage the vehicle/accessory or cause a safety hazard.

OPERATING TOWING VEHICLE SAFELY

- Know how to operate your towing vehicle controls and how to stop safely. Read your towing vehicle Operator's Manual before using the tow behind dump cart accessory.
- Ensure the brakes on your towing vehicle are operational. Adjust or service brakes as necessary.
- More stopping distance is needed with each increase in speed and weight of towed load. Operate tow vehicle slowly and allow adequate time and distance to stop.
- Use only authorized hitches. This attachment is designed for use with a towing vehicle that is equipped with a hitch

approved for towing. Only connect tow behind dump cart to an approved hitch point.

- Never exceed manufacturer's recommended weight limits for towed equipment and operating on slopes. Use counterweights or wheel weights as described in your towing vehicle Operator's Manual.
- Always apply the vehicle brake when going down slopes. Do not coast downhill, which may cause you to lose control of the mower.
- Never allow children to operate the towing vehicle or attachment. Do not allow adults to operate the towing vehicle before receiving proper instruction or reading the Operator's Manual.

BE MINDFUL OF BYSTANDERS

- Look for bystanders before operating towing vehicle and/or tow behind dump cart.
- Keep all children, bystanders and pets at a safe distance from operating towing vehicle and/or tow behind dump cart.
- Use extra caution when reversing. Look carefully behind for bystanders when reversing vehicle.

NEVER CARRY PASSENGERS

- Never carry passengers and/or pets.
- Never allow anyone, especially children, to ride in/on this accessory, the towing vehicle or any other part of the assembly.
- Passengers risk injury from foreign object strikes and/or being thrown off the towing vehicle and/or tow behind dump cart during sudden starts, stops and turns.
- Passengers could distract the operator or obstruct the operator's view resulting in the tow behind dump cart being operated in an unsafe manner.




TOW BEHIND DUMP CART SPECIFIC SAFETY INSTRUCTIONS

- Never tow accessory with bed raised.
- For household use only.




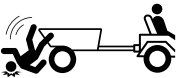
SAVE THESE INSTRUCTIONS

SYMBOLS

The following signal words and meanings are intended to explain the levels of risk associated with this product.

SYMBOL	SIGNAL	MEANING
	DANGER:	Indicates a hazardous situation, which, if not avoided, will result in death or serious injury.
	WARNING:	Indicates a hazardous situation, which, if not avoided, could result in death or serious injury.
	CAUTION:	Indicates a hazardous situation, that, if not avoided, may result in minor or moderate injury.
	NOTICE:	(Without Safety Alert Symbol) Indicates information considered important, but not related to a potential injury (e.g. messages relating to property damage).

Some of the following symbols may be used on this product. Please study them and learn their meaning. Proper interpretation of these symbols will allow you to operate the product better and safer.

SYMBOL	NAME	DESIGNATION/EXPLANATION
	Safety Alert	Indicates a potential personal injury hazard.
	Read Operator's Manual	To reduce the risk of injury, user must read and understand operator's manual before using this product.
	Eye Protection	Always wear eye protection with side shields marked to comply with ANSI Z87.1 when operating this equipment.
	No Passengers	Do not carry passengers. Passengers can fall off and be seriously injured or killed.

ASSEMBLY

KNOW YOUR TOW BEHIND DUMP CART

See Figures 1 - 2.

The safe use of this product requires an understanding of the information on the tool and in this operator's manual as well as a knowledge of the project you are attempting. Before use of this product, familiarize yourself with all operating features and safety rules.

UNPACKING

This product requires assembly.

- Carefully remove the product and any accessories from the box. Make sure that all items listed in the **Packing List** are included.

WARNING:

Do not use this product if any parts on the **Packing List** are already assembled to your product when you unpack it. Parts on this list are not assembled to the product by the manufacturer and require customer installation. Use of a product that may have been improperly assembled could result in serious personal injury.

- Inspect the product carefully to make sure no breakage or damage occurred during shipping.
- Do not discard the packing material until you have carefully inspected and satisfactorily operated the product.
- If any parts are damaged or missing, please call 1-800-525-2579 for assistance.

ASSEMBLY

WARNING:

To reduce the risk of injury, user must read and understand the operator's manual for their towing vehicle before using this accessory. Save these instructions. Refer to them frequently and use them to instruct other users. If you loan someone this product, loan them these instructions also.

PACKING LIST

- | | |
|-------------------------------|---------------------|
| ■ Tub | ■ Washers (4) |
| ■ Axle | ■ Lock Nuts (7) |
| ■ Frame | ■ Hitch Pin |
| ■ Tow Bar | ■ Hitch Pin R-Clip |
| ■ Extension Bar | ■ Pins (2) |
| ■ Wheels (2) | ■ Pin R-Clips (2) |
| ■ Extension Bar Carriage Bolt | ■ Wheel Clips (2) |
| ■ Axle Carriage Bolts (2) | ■ Wrench |
| ■ Tub Bolts (4) | ■ Operator's Manual |

ASSEMBLING THE CART FRAME

See Figures 3 - 5.

- Align the holes in the frame bracket with the holes in the axle as shown in Figure 3.

NOTE: The axle bracket should be facing the closed end of the frame.

- Insert an axle carriage bolt through each hole (2).
- Install nuts and tighten securely.
- Align holes in extension bar with the holes in the axle bracket as shown in Figure 4.
- Insert extension bar carriage bolt through the hole and secure with nut.
- Align the double holes in tow bar over holes in extension bar as shown in Figure 5.

NOTE: The dumping latch should be facing away from the axle.

- Insert a pin through each hole (2) and secure with pin R-clip (2).

NOTE: To allow the tow behind dump cart to pivot to the left and right when dumping, secure the tow bar and extension bar using only one pin.

INSTALLING THE WHEELS

See Figure 6.

- Locate wheel clips, washers, and wheels.
- Slide a washer, a wheel, and a second washer onto the axle as shown in Figure 6.
- Push the wheel clip into the hole on the end of the axle to secure the wheel assembly.
NOTE: The wheel clip should be pushed into the axle until the center of the clip rests on top of the axle.
- Repeat with the second wheel.

ATTACHING FRAME TO CART TUB

See Figure 7.

- Flip assembled frame over so that the wheels are on the ground.
- Align holes in tub with holes in frame as shown in Figure 7.
NOTE: The sloped face of the tub should be toward the wheel end of the frame assembly.
- Insert a tub bolt through each hole (4) and secure with nuts (4).

CONNECTING TOW BEHIND DUMP CART TO MOWER

See Figure 8.

The tow behind dump cart is compatible for use with RYOBI and other brand towing vehicles. Some RYOBI Riding Mowers and other vehicles may require the use of a hitch or adapter to connect to the tow behind dump cart. If your vehicle requires a hitch or adapter, consult your specific towing vehicle's manual for the correct size.

NOTE: A hitch should be selected with the proper rise or drop to keep the tow behind dump cart as level as possible when connected to the vehicle. Keep this in mind when selecting a hitch or adapter for your specific towing vehicle.

- Align holes in tow bar with holes in mower hitch point as shown in Figure 8.
- Insert hitch pin through hole and secure with hitch pin R-clip.

OPERATION

WARNING:

Do not allow familiarity with products to make you careless. Remember that a careless fraction of a second is sufficient to inflict serious injury.

WARNING:

Always wear eye protection with side shields marked to comply with ANSI Z87.1. Failure to do so could result in objects being thrown into your eyes resulting in possible serious injury.

WARNING:

Do not use any attachments or accessories not recommended by the manufacturer of this product. The use of attachments or accessories not recommended can result in serious personal injury.

WARNING:

Always ensure tow behind dump cart is properly secured to the towing vehicle hitch, and frame assembly bracket is engaged with tow bar before operating. Do not tow the tow behind dump cart with bed raised.

NOTICE:

Before each use, inspect the entire product for damaged, missing, or loose parts such as screws, nuts, bolts, caps, etc. Tighten securely all fasteners and caps and do not operate this product until all missing or damaged parts are replaced. Please contact customer service or an authorized service center for assistance.

APPLICATIONS

You may use this product for the purposes listed below:

- Hauling landscaping materials, mulch, debris, etc.

OPERATING TIPS

See Figure 9.

WARNING:

Added accessories can affect the stability of the mower when operating on slopes. Use additional care when driving on slopes with the tow kit installed.

- Slots molded into the tub allow for added fencing, wall extensions, etc.
- Distribute load evenly in tow behind dump cart.
- Avoid uphill starts whenever possible.

UNLOADING THE TOW BEHIND DUMP CART

See Figure 10.

The tow behind dump cart tub can be pivoted to the left and right to better control where cart contents are unloaded. Refer to **Assembling the Cart Frame** in the *Assembly* section for the pivot feature instructions.

- Turn off the mower and set the parking brake.
- Depress the dumping latch.
- Raise the tub carefully to empty contents.
- Lower the tub until the frame assembly bracket completely connects with the tow bar.
- Fully raise the dumping latch to lock the cart tub.

MAINTENANCE

WARNING:

To avoid serious personal injury, always stop the mower, set the parking brake, and remove the start key when cleaning or performing any maintenance.

WARNING:

Always wear eye protection with side shields marked to comply with ANSI Z87.1. Failure to do so could result in objects being thrown into your eyes resulting in possible serious injury.

WARNING:

When servicing, use only identical replacement parts. Use of any other parts can create a hazard or cause product damage.

NOTICE :

Periodically inspect the entire product for damaged, missing, or loose parts such as screws, nuts, bolts, caps, etc. Tighten securely all fasteners and caps and do not operate this product until all missing or damaged parts are replaced. Please contact customer service or an authorized service center for assistance.

GENERAL MAINTENANCE

The tow behind dump cart is subject to deterioration and wear and should be checked each time the attachment is used.

WARNING:

Do not at any time let brake fluids, gasoline, petroleum-based products, penetrating oils, etc., come in contact with plastic parts. Chemicals can damage, weaken or destroy plastic which can result in serious personal injury.

STORAGE

- Clean all foreign material from the tow behind dump cart.
- Store indoors in a secure place that is inaccessible to children. Keep away from corrosive agents such as garden chemicals and de-icing salts.

Register your product: www.ryobitools.com or call toll-free 1-800-525-2579

This product has a Three-Year Limited Warranty.

RÈGLES DE SÉCURITÉ IMPORTANTES

⚠ AVERTISSEMENT !

Pour réduire le risque de blessure, l'utilisateur doit lire et comprendre le manuel d'utilisation de sa tondeuse avant d'utiliser cet accessoire. Conserver les présentes instructions. Les consulter fréquemment et les utiliser pour informer les autres utilisateurs. Si on prête ce produit à quelqu'un, lui prêter également les présentes instructions.

⚠ AVERTISSEMENT !

Risque d'explosion ou d'incendie. Ne jamais placer de conteneurs de gaz ou d'autres liquides inflammables dans le chariot.

⚠ AVERTISSEMENT !

Ne jamais transporter de passagers. Ils risquent de tomber et de se blesser gravement ou de se tuer.

⚠ AVERTISSEMENT !

Cet accessoire a été conçu pour être utilisé conformément aux pratiques de fonctionnement sécuritaires incluses dans le présent guide. Les tondeuses peuvent causer l'amputation des mains et des pieds, en plus de projeter des objets. Le non-respect des instructions de sécurité suivantes, ainsi que des instructions de sécurité fournies avec sa tondeuse, peut causer des blessures graves ou la mort.

⚠ ATTENTION:

POUR AIDER À PRÉVENIR LES BLESSURES GRAVES DUES À UNE PERTE DE STABILITÉ OU DE CONTRÔLE :

Ne pas dépasser la capacité de remorquage maximale du véhicule de remorquage. Ne pas dépasser la capacité de poids maximale du chariot. Réduire le poids du chariot chargé sur les pentes et les surfaces glissantes. Ce produit ne doit pas être utilisé pour le service routier. Ne pas dépasser 12,87 kmh lors du remorquage du chariot.

⚠ ATTENTION:

Une mauvaise utilisation de cet accessoire, une mauvaise répartition de la charge du chariot, une mauvaise répartition du poids du véhicule de remorquage, une mauvaise vitesse et un mauvais rayon de braquage peuvent entraîner des blessures graves ou mortelles pour le conducteur, des dommages au véhicule de remorquage ou des dommages à l'accessoire. Respecter toutes les consignes de sécurité de ce manuel d'utilisation, ainsi que les consignes de sécurité liées au remorquage figurant dans le manuel d'utilisation du véhicule de remorquage.

- Arrêter les moteurs, serrer le frein de stationnement et attendre que toutes les pièces mobiles s'arrêtent avant d'installer ou d'enlever le chariot-remorque à bascule.
- Le chariot-remorque à bascule est conçu pour une capacité de remorquage maximale de 226,8 kg.
- Le poids combiné du véhicule de remorquage (poids du véhicule de remorquage + poids de l'opérateur) doit être supérieur au poids combiné maximal du chariot-remorque à bascule et de la charge.
- Ne pas dépasser la capacité de remorquage maximale du véhicule de remorquage.
- Ne jamais dépasser la capacité de force au timon du véhicule de remorquage. La force au timon représente la force de remorquage nécessaire pour tirer le poids combiné maximal du chariot-remorque à bascule et de la charge.
- Ne tirer le chariot-remorque à bascule que lorsque le véhicule est en mode remorquage ou à une vitesse inférieure à 12,87 kmh. Ne pas dépasser 12,87 kmh.
- Conduire le véhicule à une vitesse suffisamment lente pour en garder le contrôle. Éviter les trous et les autres obstacles. Faire preuve de prudence lors d'un déplacement sur terrain accidenté.
- Ralentir avant de tourner et ne jamais faire de virages brusques.
- Vérifier que le chariot-remorque à bascule suit la trajectoire du véhicule de remorquage en utilisant des angles de braquage importants.
- Sécuriser toutes les charges pour éviter qu'elles ne basculent ou ne tombent du chariot. Répartir la charge uniformément dans le chariot.
- Faire preuve de prudence au moment de charger et décharger le chariot.
- Ne jamais utiliser le chariot-remorque à bascule sur des pentes raides. Des charges lourdes peuvent entraîner une perte de contrôle ou le renversement du chariot et du

RÈGLES DE SÉCURITÉ IMPORTANTES

véhicule de remorquage. Il peut être nécessaire d'ajouter des poids supplémentaires à votre véhicule; consulter le fabricant de votre véhicule de remorquage pour connaître les recommandations.

- Toujours réduire le poids remorqué en cas d'utilisation du chariot sur des pentes. Des charges excessives peuvent entraîner une perte de traction et de contrôle.
- Conduire lentement et progressivement en cas d'utilisation sur des pentes. Ne jamais effectuer de changements brusques de vitesse, de sens ou de virage.
- Les démarrages et arrêts brusques sur des pentes ou des collines peuvent entraîner une perte de contrôle de la direction ou le basculement du chariot-remorque à bascule.
- Ne jamais faire de démarrages ou d'arrêts brusques en montée ou en descente. Éviter autant que possible les démarrages en côte.
- Conduire lentement et avec une prudence accrue en cas d'utilisation sur des pentes ou des versants. La stabilité du véhicule peut être affectée par les conditions du gazon. Faire preuve de la plus grande prudence à proximité de dénivellations.
- Ne jamais utiliser près des ruisseaux, des fossés et des voies publiques.
- Faire attention à la circulation lors d'une utilisation près des routes.
- Faire attention au moment de charger ou décharger le chariot-remorque à bascule dans une remorque ou un camion.
- Prenez des précautions supplémentaires lorsque le véhicule de remorquage est en marche arrière. Le chariot-remorque à bascule peut obstruer la vue vers l'arrière.
- Ne pas reculer le véhicule de remorquage en angle pour éviter la mise en portefeuille. Ne jamais laisser les roues du chariot-remorque à bascule toucher la barre de remorquage. Des dommages pourraient en résulter.
- Arrêter les moteurs, serrer le frein de stationnement et attendre l'arrêt de toutes les pièces mobiles avant de quitter le poste de conduite pour quelque raison que ce soit, y compris pour vider l'accessoire.
- N'utiliser cet accessoire que pour l'usage auquel il est destiné.
- Cet accessoire est conçu pour être utilisé avec les tondeuses autoportées. Ne pas remorquer ce produit derrière un véhicule à moteur tel qu'une voiture ou un camion.
- Toujours porter des chaussures solides qui protégeront les pieds. Ne pas porter de vêtements amples pouvant se coincer dans les pièces mobiles.
- Rester attentif. Prêter attention au travail. Faire preuve de bon sens. Ne pas utiliser le chariot-remorque à bascule tout en étant distrait.

- Faire attention aux trous, ornières, bosses, roches ou autres objets cachés. L'herbe haute peut dissimuler des obstacles.
- Maintenir le véhicule de remorquage et l'accessoire en bon état de fonctionnement. Utiliser avec tous les dispositifs de sécurité en place.
- Après avoir heurté un objet inconnu, s'arrêter et vérifier que le véhicule de remorquage et l'accessoire ne sont pas endommagés. Ne jamais utiliser un équipement endommagé.
- Maintenir toutes les pièces en bon état et correctement installées. Réparer immédiatement les pièces endommagées. Remplacer les pièces usées ou endommagées. Remplacer toutes les étiquettes de sécurité et d'instructions usées ou endommagées. Serrer régulièrement toutes les pièces de fixation.
- Ne jamais modifier l'accessoire ou les dispositifs de sécurité. Toute modification non autorisée du véhicule de remorquage ou de l'accessoire peut endommager ces derniers ou entraîner un risque de sécurité.

UTILISATION SÉCURITAIRE DU VÉHICULE DE REMORQUAGE

- Connaître le fonctionnement des commandes du véhicule de remorquage et la manière de s'arrêter en toute sécurité. Lire le manuel d'utilisation du véhicule de remorquage avant d'utiliser l'accessoire de chariot-remorque à bascule.
- Vérifier que les freins du véhicule de remorquage sont opérationnels. Régler ou réparer les freins si nécessaire.
- Une plus grande distance d'arrêt est nécessaire à chaque augmentation de la vitesse et du poids de la charge remorquée. Conduire le véhicule de remorquage lentement et prévoir suffisamment de temps et de distance pour s'arrêter.
- N'utiliser que des attelages autorisés. Cet accessoire est conçu pour être utilisé avec un véhicule de remorquage équipé d'un attelage approuvé pour le remorquage. Ne raccorder le chariot-remorque à bascule qu'à un point d'attelage approuvé.
- Ne jamais dépasser les limites de poids recommandées par le fabricant pour l'équipement remorqué et l'utilisation sur des pentes. Utiliser des contrepoids ou des poids de roues, comme il est indiqué dans le manuel d'utilisation du véhicule de remorquage.
- Toujours enclencher le frein du véhicule en descendant une pente. Ne pas descendre une pente en roue libre, car cela pourrait entraîner une perte de contrôle de la tondeuse.
- Ne jamais laisser des enfants utiliser le véhicule de remorquage ou l'accessoire. Ne pas laisser des adultes utiliser le véhicule de remorquage avant d'avoir reçu des instructions appropriées ou d'avoir lu le manuel d'utilisation.

RÈGLES DE SÉCURITÉ IMPORTANTES

FAIRE ATTENTION AUX PASSANTS

- Vérifier la présence de passants avant d'utiliser un véhicule de remorquage et le chariot-remorque à bascule.
- Tenir les enfants, les passants et les animaux domestiques à une distance sûre du véhicule de remorquage et du chariot-remorque à bascule en fonctionnement.
- Redoubler de prudence en marche arrière. Au moment de reculer le véhicule, regarder attentivement derrière vous pour voir s'il y a des passants.

NE JAMAIS TRANSPORTER DE PASSAGERS

- Ne jamais transporter de passagers et d'animaux domestiques.

- Ne jamais laisser quelqu'un, en particulier les enfants, monter dans cet accessoire, le véhicule de remorquage ou toute autre partie de l'ensemble.
- Les passagers risquent d'être blessés par des corps étrangers ou d'être éjectés du véhicule de remorquage et du chariot-remorque à bascule lors de démarrages, d'arrêts et de virages soudains.
- Les passagers pourraient distraire le conducteur ou lui obstruer la vue, ce qui entraînerait une utilisation dangereuse du chariot-remorque à bascule.




INSTRUCTIONS DE SÉCURITÉ PROPRES AU CHARIOT-REMORQUE À BASCULE

- Ne jamais remorquer un accessoire avec la benne relevée.
- Pour un usage domestique uniquement.




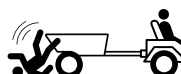
CONSERVER CES INSTRUCTIONS

SYMBOLES

Les termes de mise en garde suivants et leur signification ont pour but d'expliquer le degré de risques associé à l'utilisation de ce produit.

SYMBOLE	SIGNAL	SIGNIFICATION
	DANGER :	Indique une situation dangereuse qui, si elle n'est pas évitée, aura pour conséquences des blessures graves ou mortelles.
	AVERTISSEMENT :	Indique une situation dangereuse qui, si elle n'est pas évitée, pourrait entraîner des blessures graves ou mortelles.
	ATTENTION :	Indique une situation dangereuse qui, si elle n'est pas évitée, pourrait entraîner des blessures légères ou de gravité modérée.
	AVIS :	(Sans symbole d'alerte de sécurité) Indique les informations jugées importantes sans toutefois représenter un risque de blessure (ex. : messages concernant les dommages matériels).

Certains des symboles ci-dessous peuvent être utilisés sur produit. Veiller à les étudier et à apprendre leur signification. Une interprétation correcte de ces symboles permettra d'utiliser produit plus efficacement et de réduire les risques.

SYMBOLE	NOM	DÉSIGNATION / EXPLICATION
	Symbole d'alerte de sécurité	Indique un risque de blessure potentiel.
	Lire le manuel d'utilisation	Pour réduire les risques de blessures, l'utilisateur doit lire et veiller à bien comprendre le manuel d'utilisation avant d'utiliser ce produit.
	Protection oculaire	Toujours porter une protection oculaire avec écrans latéraux certifiée conforme à la norme ANSI Z87.1 ainsi.
	Aucun passager	Ne pas transporter de passagers. Les passagers peuvent tomber et être gravement blessés ou tués.

ASSEMBLAGE

APPRENDRE À CONNAÎTRE VOTRE CHARIOT-REMORQUE À BASCULE

Voir les figures 1 et 2.

La sécurité d'utilisation de ce produit exige la compréhension des informations apposées sur l'outil et contenues dans ce manuel d'utilisation, ainsi que la connaissance du travail à exécuter. Avant d'utiliser ce produit, se familiariser avec toutes ses fonctions et règles de sécurité.

DÉBALLAGE

Ce produit nécessite l'assemblage.

- Avec précaution, sortir le produit et les accessoires de la boîte. S'assurer que toutes les pièces figurant sur la **Liste de contrôle d'expédition** sont incluses.

AVERTISSEMENT :

Ne pas utiliser le produit si, en le déballant, vous constatez que des éléments figurant dans la **Liste de contrôle d'expédition** sont déjà assemblés. Certaines pièces figurant sur cette liste n'ont pas été assemblées par le fabricant et exigent une installation. Le fait d'utiliser un produit qui a été assemblé de façon inadéquate peut entraîner des blessures.

- Examiner soigneusement le produit pour s'assurer que rien n'a été brisé ou endommagé en cours de transport.
- Ne pas jeter les matériaux d'emballage avant d'avoir soigneusement examiné l'outil et avoir vérifié qu'il fonctionne correctement.
- Si des pièces sont manquantes ou endommagées, appeler le 1-800-525-2579.

AVERTISSEMENT :

Pour réduire le risque de blessure, l'utilisateur doit lire et comprendre le manuel d'utilisation de sa véhicule de remorquage avant d'utiliser cet accessoire. Conserver ces instructions. Les consulter fréquemment et les utiliser pour instruire les autres utilisateurs. Si cet produit est prêté, il doit être accompagné de ces instructions.

LISTE DE CONTRÔLE D'EXPÉDITION

- | | |
|---|-------------------------------------|
| ■ Cuve | ■ Rondelles (4) |
| ■ Essieu | ■ Écrous de blocage (7) |
| ■ Cadre | ■ Goupille d'attelage |
| ■ Barre de remorquage | ■ Pince R de la goupille d'attelage |
| ■ Barre de rallonge | ■ Goupilles (2) |
| ■ Roues (2) | ■ Pincettes R de goupille (2) |
| ■ Boulon de carrosserie de la barre de rallonge | ■ Pincettes de roue (2) |
| ■ Boulons de carrosserie d'essieu (2) | ■ Clé |
| ■ Boulons pour cuve (4) | ■ Manuel d'utilisation |

ASSEMBLAGE DU CADRE DU CHARIOT

Voir les figures 3 à 5.

- Aligner les trous du support du cadre sur ceux de l'essieu, comme il est illustré à la figure 3.

NOTE : Le support d'essieu doit être orienté vers l'extrémité fermée du cadre.

- Insérer un boulon de carrosserie d'essieu dans chaque trou (2).
- Installer les écrous et serrer fermement.
- Aligner les trous de la barre de rallonge sur les trous du support d'essieu, comme il est illustré à la figure 4.
- Insérer le boulon de carrosserie de la barre de rallonge dans le trou, puis le fixer avec l'écrou.
- Aligner les trous doubles de la barre de remorquage sur les trous de la barre de rallonge, comme il est illustré à la figure 5.

NOTE : Le loquet de déversement doit être orienté à l'opposé de l'essieu.

- Insérer une goupille dans chaque trou (2) et fixer avec la pince R de goupille (2).

NOTE : Pour permettre au chariot-remorque à bascule de pivoter à gauche et à droite lors du déversement, fixer la barre de remorquage et la barre de rallonge à l'aide d'une seule goupille.

INSTALLATION DES ROUES

Voir la figure 6.

- Localiser les pincettes de roue, les rondelles et les roues.
- Glisser une rondelle, une roue et une deuxième rondelle sur l'essieu, comme il est illustré à la figure 6.
- Pousser la pince de roue dans le trou situé à l'extrémité de l'essieu pour fixer l'ensemble de la roue.

NOTE : La pince de roue doit être poussée dans l'essieu jusqu'à ce que son centre repose sur le dessus de l'essieu.

- Répéter pour la deuxième roue.

ASSEMBLAGE

FIXATION DU CADRE À LA CUVE DU CHARIOT

Voir la figure 7.

- Retourner le cadre assemblé de manière à placer les roues sur le sol.
- Aligner les trous de la cuve sur les trous du cadre, comme il est illustré à la figure 7.
NOTE : La face inclinée de la cuve doit être orientée vers l'extrémité à roues de l'ensemble du cadre.
- Insérer un boulon pour cuve dans chaque trou (4) et fixer avec les écrous (4).

CONNEXION DU CHARIOT-REMORQUE À BASCULE À LA TONDEUSE

Voir la figure 8.

Le chariot-remorque à bascule est compatible avec les véhicules de remorquage RYOBI et d'autres marques.

Certaines tondeuses autoportées de RYOBI et d'autres véhicules peuvent nécessiter l'utilisation d'un attelage ou adaptateur pour se connecter chariot-remorque à bascule. Si votre véhicule nécessite d'un attelage ou adaptateur, consulter le manuel du véhicule de remorquage spécifique pour connaître la taille correcte.

NOTE : Il convient de choisir un attelage avec une élévation ou un abaissement approprié pour que le chariot-remorque à bascule soit aussi horizontal que possible lorsqu'il est connecté au véhicule. Garder cela à l'esprit pour sélectionner l'attelage du véhicule de remorquage spécifique.

- Aligner les trous de la barre de remorquage sur les trous du point d'attelage de la tondeuse, comme il est illustré à la figure 8.
- Insérer la goupille d'attelage dans le trou et fixer avec la pince R de la goupille d'attelage.

UTILISATION

AVERTISSEMENT :

Ne pas laisser la familiarité avec ce produits faire oublier la prudence. Ne pas oublier qu'une fraction de seconde d'inattention peut entraîner des blessures graves.

AVERTISSEMENT :

Toujours porter une protection oculaire avec écrans latéraux certifiée conforme à la norme ANSI Z87.1 ainsi. Si cette précaution n'est pas prise, des objets peuvent être projetés dans les yeux et causer des lésions graves.

AVERTISSEMENT :

Ne pas utiliser d'outils ou accessoires non recommandés par le fabricant pour ce produit. L'utilisation de pièces et accessoires non recommandés peut entraîner des blessures graves.

AVERTISSEMENT :

Avant toute utilisation, toujours s'assurer que le chariot-remorque à bascule est correctement fixé à l'attelage du véhicule de remorquage et que le support de l'ensemble du cadre est engagé dans la barre de remorquage. Ne pas remorquer le chariot-remorque à bascule avec la benne relevée.

AVIS :

Avant chaque utilisation, inspecter au complet le produit afin de s'assurer qu'aucune pièce (vis, écrous, boulons, chapeaux, etc.) n'est endommagée, manquante ou desserrée. Serrer solidement toutes les pièces de fixation et les chapeaux et ne pas utiliser le produit tant que toutes les pièces manquantes ou endommagées n'ont pas été remplacées. Pour obtenir de l'aide, veuillez communiquer avec le service à la clientèle ou un centre de réparations agréé.

APPLICATIONS

Ce produit peut être utilisé pour les applications ci-dessous :

- Hauling landscaping materials, mulch, debris, etc.

CONSEILS D'UTILISATION

Voir la figure 9.

AVERTISSEMENT :

Les accessoires ajoutés peuvent nuire à la stabilité de la tondeuse pendant la coupe effectuée sur des pentes. Redoubler de prudence lors d'une conduite sur des pentes avec le nécessaire de remorquage installé.

- Les fentes moulées dans la cuve permettent d'ajouter une clôture, des extensions de murs, etc.
- Répartir uniformément la charge dans le chariot-remorque à bascule.
- Éviter autant que possible les démarrages en côte.

UTILISATION

DÉCHARGEMENT DU CHARIOT-REMORQUE À BASCULE

Voir la figure 10.

La cuve du chariot-remorque à bascule peut pivoter à gauche et à droite pour mieux contrôler l'endroit où décharger le contenu du chariot. Consulter la partie **Assemblage du cadre du chariot** de la section *Assemblage* pour connaître les instructions relatives à la fonction de pivot.

- Arrêter la tondeuse et serrer le frein de stationnement.
- Appuyer sur le loquet de déversement.
- Soulever la cuve avec précaution pour vider son contenu.
- Abaisser la cuve jusqu'à ce que le support de l'ensemble du cadre soit complètement relié à la barre de remorquage.
- Relever complètement le loquet de déversement pour verrouiller la cuve du chariot.

ENTRETIEN

AVERTISSEMENT :

Pour éviter des blessures graves, toujours arrêter la tondeuse, régler le frein de stationnement et retirer la clé de démarrage lors du nettoyage ou de toute autre tâche d'entretien.

AVERTISSEMENT :

Toujours porter une protection oculaire avec écrans latéraux certifiée conforme à la norme ANSI Z87.1 ainsi. Si cette précaution n'est pas prise, des objets peuvent être projetés dans les yeux et causer des lésions graves.

AVERTISSEMENT :

Utiliser exclusivement des pièces d'origine pour les réparations. L'usage de toute autre pièce pourrait créer une situation dangereuse ou endommager l'outil.

AVIS :

Inspecter périodiquement au complet le produit afin de s'assurer qu'aucune pièce (vis, écrous, boulons, chapeaux, etc.) n'est endommagée, manquante ou desserrée. Serrer solidement toutes les pièces de fixation et les chapeaux et ne pas utiliser le produit tant que toutes les pièces manquantes ou endommagées n'ont pas été remplacées. Pour obtenir de l'aide, veuillez communiquer avec le Service à la clientèle ou un centre de réparations agréé.

ENTRETIEN GÉNÉRAL

Le chariot-remorque à bascule est susceptible de se détériorer et de s'user; il faut l'inspecter chaque fois que l'accessoire est utilisé.

AVERTISSEMENT :

Ne jamais laisser de liquides tels que le fluide de freins, l'essence, les produits à base de pétrole, les huiles pénétrantes, etc., entrer en contact avec les pièces en plastique. Les produits chimiques peuvent endommager, affaiblir ou détruire le plastique, ce qui peut entraîner des blessures graves.

RANGEMENT

- Nettoyer soigneusement le chariot-remorque à bascule.
- La ramener à l'intérieur, inaccessible aux enfants. La tenir à l'écart de produits corrosifs, tels que les produits chimiques de jardinage et le sel de dégivrage.

Enregistrer le produit : www.ryobitools.com ou nous téléphoner au 1-800-525-2579

Ce produit est couvert par une garantie limitée de trois (3) ans.

INSTRUCCIONES IMPORTANTES DE SEGURIDAD

¡ADVERTENCIA!

Para reducir el riesgo de lesiones, el usuario debe leer y comprender el manual del operador de la podadora de césped antes de usar este accesorio. Guarde estas instrucciones. Consúltelas con frecuencia y utilícelas para instruir a otros usuarios. Si le presta este producto a alguien, entréguele también estas instrucciones.

¡ADVERTENCIA!

Riesgo de explosión o incendio. Nunca coloque contenedores de gas u otros líquidos inflamables en el carro.

¡ADVERTENCIA!

Nunca lleve pasajeros. Pueden caerse y resultar gravemente heridos o incluso morir.

¡ADVERTENCIA!

Este accesorio se diseñó para usarse de acuerdo con las prácticas de operación segura de este manual. Las podadoras de césped pueden amputar manos y pies, y despedir/arrojar objetos. El incumplimiento de las siguientes instrucciones de seguridad, así como de las instrucciones de seguridad provistas con la podadora, podría provocar lesiones graves o la muerte.

PRECAUCIÓN:

PARA AYUDAR A PREVENIR LESIONES GRAVES POR PÉRDIDA DE ESTABILIDAD O CONTROL: No exceda la capacidad máxima de remolque del vehículo remolcador. No exceda la capacidad máxima de peso del carro. Reduzca el peso del carro cargado en pendientes y superficies resbaladizas. Este producto no debe usarse para servicio en carretera. No supere los 12,87 km/h al remolcar el carro.

PRECAUCIÓN:

El uso inadecuado de este accesorio, la distribución de la carga del carro, la distribución del peso del vehículo remolcador, la velocidad y el radio de giro pueden provocar lesiones graves o la muerte del operador, daños en el vehículo remolcador y/o daños en el accesorio. Siga todas las instrucciones de seguridad de este manual del operador, así como las instrucciones de seguridad de remolque del manual del operador del vehículo remolcador.

- Detenga los motores, ponga el freno de mano y espere a que se detengan todas las piezas en movimiento antes de instalar/quitar el carro de volteo de remolque trasero.
- El carro de volteo de remolque trasero se diseñó con una capacidad máxima de remolque de 226,80 kg.
- El peso combinado del vehículo remolcador (peso del vehículo remolcador + peso del operador) debe ser mayor que el peso combinado máximo del carro de volteo de remolque trasero y la carga.
- No exceda la capacidad máxima de remolque del vehículo remolcador.
- Nunca exceda la calificación máxima de tracción de remolque del vehículo remolcador. La tracción de remolque es la fuerza de remolque necesaria para tirar del peso combinado máximo del carro de volteo de remolque trasero y la carga.
- Solo tire del carro de volteo de remolque trasero en el modo/configuración de velocidad de remolque del vehículo o a menos de 12,87 km/h. No exceda los 12,87 km/h.
- Opere el vehículo a una velocidad lo suficientemente lenta para mantener el control. Evite los baches y otros obstáculos. Proceda con precaución cuando viaje por terreno áspero.
- Disminuya la velocidad antes de girar y nunca haga giros bruscos.
- Asegúrese de que el carro de volteo de remolque trasero siga la trayectoria del vehículo remolcador utilizando ángulos de giro abiertos.
- Asegure todas las cargas para evitar que se vuelquen o se caigan del carro. Distribuya la carga uniformemente en todo el carro.
- Tenga cuidado al cargar y descargar el carro.
- Nunca use el carro de volteo de remolque trasero en pendientes pronunciadas. Las cargas pesadas pueden provocar la pérdida de control o el vuelco del carro y del vehículo remolcador. Es posible que sea necesario agregar peso adicional a su vehículo; consulte al fabricante de su vehículo remolcador para obtener recomendaciones.
- Siempre reduzca el peso remolcado cuando opere el carro en pendientes. Las cargas excesivas pueden provocar la pérdida de tracción y control.
- Conduzca lenta y gradualmente cuando opere en pendientes. Nunca haga cambios bruscos de velocidad, dirección o giro.
- Los arranques y frenadas bruscos en pendientes o colinas pueden provocar la pérdida del control de la dirección o el vuelco del carro de volteo de remolque trasero.
- Nunca arranque o frene de forma repentina cuando viaje cuesta arriba o cuesta abajo. Evite los arranques cuesta arriba siempre que sea posible.

INSTRUCCIONES IMPORTANTES DE SEGURIDAD

- Conduzca despacio y con precaución adicional cuando opere en pendientes o laderas. La estabilidad del vehículo puede verse afectada por las condiciones del césped. Opere con máxima precaución cuando esté cerca de desniveles.
- Nunca opere el carro junto a arroyos, zanjas y carreteras públicas.
- Tenga cuidado con el tráfico cuando opere cerca de carreteras.
- Tenga cuidado cuando cargue o descargue el vehículo remolcador/carro en un tráiler o camión.
- Tenga especial cuidado al dar marcha atrás con el vehículo remolcador. El carro de volteo de remolque trasero puede obstruir la vista hacia atrás.
- No dé marcha atrás con el vehículo remolcador en ángulo para evitar el efecto tijera o jackknifing. Nunca permita que las ruedas del carro de volteo con remolque trasero hagan contacto con la barra de remolque. Podrían producirse daños.
- Detenga los motores, ponga el freno de mano y espere a que se detengan todas las piezas en movimiento antes de abandonar el puesto del operador por cualquier motivo, incluido el vaciado del accesorio.
- Utilice este accesorio únicamente para el fin previsto.
- Este accesorio está diseñado para usarse con tractores cortacésped. No remolque este producto detrás de un vehículo motorizado, como un automóvil o un camión.
- Siempre use calzado resistente que le proteja los pies. No use accesorios de vestimenta sueltos que puedan quedar atrapados en partes en movimiento.
- Manténgase alerta. Cuidado con lo que esté haciendo. Usa el sentido común. No opere el carro de volteo con remolque trasero mientras esté distraído.
- Esté atento a baches, orificios, surcos, rocas u otros objetos ocultos. El pasto alto puede esconder obstáculos.
- Mantenga el vehículo remolcador y el accesorio en buenas condiciones de funcionamiento. Opere el producto con todos los dispositivos de seguridad necesarios.
- Deténgase e inspeccione el vehículo remolcador y el accesorio en busca de daños después de golpear un objeto extraño. Nunca opere equipos dañados.
- Mantenga todas las piezas en buenas condiciones y debidamente instaladas. Repare las piezas dañadas inmediatamente. Reemplace las piezas desgastadas o dañadas. Reemplace todas las etiquetas de seguridad e instrucciones desgastadas o dañadas. Ajuste regularmente todos los tornillos.
- No modifique nunca el accesorio ni los dispositivos de seguridad. Las modificaciones no autorizadas al vehículo remolcador o al accesorio pueden dañar el vehículo/accesorio o causar un peligro para la seguridad.

CÓMO OPERAR EL VEHÍCULO REMOLCADOR DE FORMA SEGURA

- Sepa cómo operar los controles de su vehículo remolcador y cómo detenerse de manera segura. Lea el Manual del operador del vehículo remolcador antes de usar el carro de volteo de remolque trasero.
- Asegúrese de que los frenos de su vehículo remolcador funcionen correctamente. Ajuste o dé servicio a los frenos según sea necesario.
- Se necesita más distancia de frenado con cada aumento en la velocidad y el peso de la carga remolcada. Opere el vehículo remolcador lentamente y deténgase usando el tiempo y la distancia adecuados.
- Utilice únicamente enganches autorizados. Este accesorio está diseñado para usarse con un vehículo remolcador que venga con un enganche aprobado para remolcar. Solo conecte el carro de volteo con remolque trasero a un punto de enganche aprobado.
- Nunca exceda los límites de peso recomendados por el fabricante para equipos remolcados y cuando opere en pendientes. Use contrapesos o pesos en las ruedas como se describe en el Manual del operador de su vehículo remolcador.
- Aplique siempre el freno del vehículo al bajar pendientes. No baje en punto muerto, ya que podría perder el control del cortacésped.
- Nunca permita que los niños operen el vehículo remolcador o el accesorio. No permita que los adultos operen el vehículo remolcador antes de recibir las instrucciones adecuadas o leer el Manual del operador.

TENGA CUIDADO CON LAS PERSONAS QUE HAYA A SU ALREDEDOR

- Tenga cuidado con las personas que vea a su alrededor antes de operar el vehículo remolcador y/o el carro de volteo de remolque trasero.
- Mantenga a todos los niños, transeúntes y mascotas a una distancia segura del vehículo remolcador en funcionamiento y/o carro de volteo de remolque trasero.
- Tenga mucho cuidado al dar marcha atrás. Mire cuidadosamente hacia atrás para ver si hay alguien al dar marcha atrás al vehículo.

NUNCA LLEVE PASAJEROS

- Nunca lleve pasajeros ni mascotas.
- Nunca permita que nadie, especialmente niños, se suba a este accesorio, al vehículo remolcador ni a ninguna otra parte del conjunto.
- Los pasajeros corren el riesgo de lesionarse por golpes con objetos extraños y/o ser arrojados del vehículo remolcador y/o el carro de volteo con remolque trasero durante arranques, frenadas y giros repentinos.

INSTRUCCIONES IMPORTANTES DE SEGURIDAD

- Los pasajeros podrían distraer al operador u obstruirle la vista, lo que provocaría que el carro de volteo de remolque trasero se opere de manera insegura.

INSTRUCCIONES DE SEGURIDAD ESPECÍFICAS DEL CARRO DE VOLTEO DE REMOLQUE TRASERO

- Nunca remolque el accesorio con la caja levantada.
- Solo para uso doméstico.

GUARDE ESTAS INSTRUCCIONES

SÍMBOLOS

Las siguientes palabras de señalización y sus significados tienen el objeto de explicar los niveles de riesgo relacionados con este producto.

SÍMBOLO	SEÑAL	SIGNIFICADO
	PELIGRO:	Indica una situación peligrosa, la cual, si no se evita, causará la muerte o lesiones serias.
	ADVERTENCIA:	Indica una situación peligrosa, la cual, si no se evita, podría causar la muerte o lesiones serias.
	PRECAUCIÓN:	Indica una situación peligrosa, la cual, si no se evita, podría causar lesiones menores o leves.
	AVISO:	(Sin el símbolo de alerta de seguridad) Indica la información que se considera importante, pero no relacionada con lesiones potenciales (por ej. en relación a daños a la propiedad).

Es posible que se empleen en este producto algunos de los siguientes símbolos. Le suplicamos estudiarlos y aprender su significado. Una correcta interpretación de estos símbolos le permitirá utilizar mejor y de manera más segura el producto.

SÍMBOLO	NOMBRE	DENOMINACIÓN/EXPLICACIÓN
	Alerta de seguridad	Indica un peligro posible de lesiones personales.
	Lea el manual del operador	Para reducir el riesgo de lesiones, el usuario debe leer y comprender el manual del operador antes de usar este producto.
	Protección para los ojos	Siempre póngase protección ocular con protección lateral con la marca de cumplimiento de la norma ANSI Z87.1.
	No lleve pasajeros	No lleve pasajeros. Los pasajeros pueden caerse y sufrir lesiones graves o la muerte.

ARMADO

FAMILIARÍCESE CON EL CARRO DE VOLTEO DE REMOLQUE

Vea las figuras 1 y 2.

Para usar este producto con la debida seguridad, se debe comprender la información indicada en la herramienta misma y en este manual, y se debe comprender también el trabajo que intenta realizar. Antes de usar este producto, familiarícese con todas las características de funcionamiento y normas de seguridad del mismo.

DESEMPAQUETADO

Este producto requiere armado.

- Extraiga cuidadosamente de la caja, el producto y los accesorios. Asegúrese de que estén presentes todos los artículos enumerados en la **Lista de empaquetado**.

ADVERTENCIA:

No utilice este producto si alguna pieza incluida en la **Lista de empaquetado** ya está ensamblada al producto cuando lo desempaqueta. El fabricante no ensambla las piezas de esta lista en el producto. Éstas deben ser instaladas por el usuario. El uso de un producto que puede haber sido ensamblado de forma inadecuada podría causar lesiones personales graves.

- Inspeccione cuidadosamente el producto para asegurarse de que no haya sufrido ninguna rotura o daño durante el transporte.
- No deseche el material de empaquetado hasta que haya inspeccionado cuidadosamente el producto y la haya utilizado satisfactoriamente.
- Si hay piezas dañadas o faltantes, le suplicamos llamar al 1-800-525-2579, donde le brindaremos asistencia.

ADVERTENCIA:

Para reducir el riesgo de lesiones, el usuario debe leer y comprender el manual del operador de el vehículo de remolque antes de usar este accesorio. Guarde estas instrucciones. Consúltelas frecuentemente y utilícelas para instruir a otros usuarios. Si presta a alguien esta chaqueta, facilítela también las instrucciones.

LISTA DE EMPAQUETADO

- Cubo
- Eje
- Marco
- Barra de remolque
- Barra de extensión
- Ruedas (2)
- Perno del carruaje de la barra de extensión
- Pernos de carruaje de eje (2)
- Pernos de cubo (4)
- Arandelas (4)
- Tuercas de bloqueo (7)
- Pasador de enganche
- Gancho en R del pasador de enganche
- Pasadors (2)
- Ganchos en R para pasador (2)
- Ganchos de la rueda (2)
- Llave
- Manual del operador

MONTAJE DE LA ESTRUCTURA DEL CARRO

Vea las figuras 3 a 5.

- Alinee los agujeros en el soporte del marco con los agujeros del eje como se muestra en la Figura 3.

NOTA: El soporte del eje debe mirar hacia el extremo cerrado del marco.

- Inserte un perno de carruaje de eje en cada orificio (2).
- Instale las tuercas y ajústelas firmemente.
- Alinee los agujeros de la barra de extensión con los agujeros del soporte del eje como se muestra en la Figura 4.
- Inserte el perno del carruaje de la barra de extensión en el orificio y asegúrelo con la tuerca.
- Alinee los orificios dobles de la barra de remolque con los orificios de la barra de extensión, como se muestra en la Figura 5.

NOTA: El pestillo de descarga debe mirar hacia el otro lado del eje.

- Inserte un pasador en cada orificio (2) y asegúrelo con el gancho en R para pasador (2).

NOTA: Para permitir que el carro de volteo de remolque trasero gire hacia la izquierda y hacia la derecha al descargar, asegure la barra de remolque y la barra de extensión usando solo un pasador.

INSTALACIÓN DE LAS RUEDAS

Vea la figura 6.

- Ubique los ganchos de las ruedas, las arandelas y las ruedas.
- Deslice una arandela, una rueda y una segunda arandela en el eje como se muestra en la Figura 6.
- Empuje el gancho de la rueda en el orificio del extremo del eje para asegurar el conjunto de la rueda.
NOTA: El gancho de la rueda debe empujarse hacia el eje hasta que el centro del gancho apoye sobre la parte superior del eje.
- Repita el proceso con la segunda rueda.

ARMADO

FIJACIÓN DEL MARCO AL CUBO DEL CARRO

Vea la figura 7.

- Voltee el marco ensamblado para que las ruedas queden en el suelo.
- Alinee los agujeros del cubo con los agujeros del marco como se muestra en la Figura 7.
NOTA: La cara inclinada del cubo debe quedar del lado del extremo de las ruedas del conjunto del marco.
- Inserte un perno de cubo en cada orificio (4) y asegúrelo con tuercas (4).

CONEXIÓN DEL CARRO DE VOLTEO DE REMOLQUE TRASERO AL CORTACÉSPED

Vea la figura 8.

El carro de volteo de remolque trasero es compatible con vehículos de remolque RYOBI y de otras marcas. Algunos

cortacésped RYOBI y de otros vehículos pueden requerir el uso de un enganche o adaptador para conectarse al el carro de volteo de remolque. Si su vehículo requiere un enganche o adaptador, consulte el manual de su vehículo remolcador específico para conocer el tamaño de enganche correcto.

NOTA: Se debe seleccionar un enganche con la subida o bajada adecuada para mantener el carro de volteo de remolque trasero lo más nivelado posible cuando esté conectado al vehículo. Tenga esto en cuenta al seleccionar un enganche para su vehículo de remolque específico.

- Alinee los agujeros de la barra de remolque con los agujeros del punto de enganche del cortacésped como se muestra en la Figura 8.
- Inserte el pasador de enganche por el orificio y asegúrelo con el gancho en R del pasador de enganche.

FUNCIONAMIENTO

ADVERTENCIA:

No permita que su familiarización con las sopladoras lo vuelva descuidado. Tenga presente que un descuido de un instante es suficiente para causar una lesión grave.

ADVERTENCIA:

Siempre póngase protección ocular con protección lateral con la marca de cumplimiento de la norma ANSI Z87.1. La inobservancia de esta advertencia puede causar el lanzamiento de objetos hacia los ojos y otras lesiones graves.

ADVERTENCIA:

No utilice ningún aditamento o accesorio no recomendado por el fabricante de esta sopladora. El empleo de aditamentos o accesorios no recomendados podría causar lesiones serias.

ADVERTENCIA:

Siempre asegúrese de que el carro de volteo de remolque trasero esté correctamente asegurado al enganche del vehículo remolcador y que el soporte del conjunto del marco esté enganchado con la barra de remolque antes de operar el producto. No remolque el carro con la caja levantada.

AVISO:

Antes de cada uso, inspeccione todo el producto para detectar partes dañadas, faltantes o sueltas, como tornillos, tuercas, pernos, tapas, etc. Apriete firmemente todos los sujetadores y las tapas y no accione este producto hasta que todas las partes faltantes o dañadas sean reemplazadas. Póngase en contacto con el servicio al cliente o con un centro de servicio autorizado para obtener ayuda.

USOS

You may use this product for the purposes listed below:

- Transportar materiales de jardinería, mantillo, suciedad, etc.

CONSEJOS DE FUNCIONAMIENTO

Vea la figura 9.

ADVERTENCIA:

Los accesorios agregados pueden afectar la estabilidad de la podadora si se usa en pendientes. Tenga especial cuidado al conducir en pendientes con el kit de remolque instalado.

- Las ranuras moldeadas del cubo permiten colocar vayas o extensiones de pared adicionales, etc.
- Distribuya la carga de manera uniforme en el carro de volteo de remolque trasero.
- Evite los arranques cuesta arriba siempre que sea posible.

FUNCIONAMIENTO

DESCARGA DEL CARRO DE VOLTEO DE REMOLQUE TRASERO

Vea la figura 10.

El cubo del carro de volteo de remolque trasero se puede girar hacia la izquierda y hacia la derecha para controlar mejor dónde se descarga el contenido. Consulte **Montaje del marco del carro** en la sección de *Armado* para obtener instrucciones sobre la función de pivote.

- Apague el cortacésped y ponga el freno de mano.
- Oprima el pestillo de descarga.
- Levante el cubo con cuidado para vaciar el contenido.
- Baje el cubo hasta que el soporte del conjunto del marco quede completamente conectado con la barra de remolque.
- Levante completamente el pestillo de descarga para bloquear el cubo del carro.

MANTENIMIENTO

ADVERTENCIA:

Para evitar lesiones personales graves, detenga siempre la podadora, ponga el freno de mano y retire la llave de arranque cuando limpie o realice tareas de mantenimiento.

ADVERTENCIA:

Siempre póngase protección ocular con protección lateral con la marca de cumplimiento de la norma ANSI Z87.1. Si no cumple esta advertencia, los objetos que salen despedidos pueden producirle lesiones serias en los ojos.

ADVERTENCIA:

Al dar servicio a la unidad, sólo utilice piezas de repuesto idénticas. El empleo de piezas diferentes puede causar un peligro o dañar el producto.

AVISO:

Inspeccione periódicamente todo el producto para detectar partes dañadas, faltantes o sueltas, como tornillos, tuercas, pernos, tapas, etc. Apriete firmemente todos los sujetadores y las tapas y no accione este producto hasta que todas las partes faltantes o dañadas sean reemplazadas. Póngase en contacto con el servicio al cliente o con un centro de servicio autorizado para obtener ayuda.

ALMACENAMIENTO

El carro de volteo de remolque trasero está sujeto a deterioro y desgaste, y debe revisarse cada vez que use el accesorio.

ADVERTENCIA:

No permita en ningún momento que fluidos para frenos, gasolina, productos a base de petróleo, aceites penetrantes, etc., lleguen a tocar las piezas de plástico. Las sustancias químicas pueden dañar, debilitar o destruir el plástico, lo cual a su vez puede producir lesiones corporales serias.

ALMACENAMIENTO

- Limpie toda materia extraña presente en el carro de volteo de remolque.
- Almacene la unidad en el interior, inaccesible a los niños. Evite que la unidad entre en contacto con agentes corrosivos como las sustancias químicas para el jardín y las sales para derretir el hielo.

Registre el producto: www.ryobitools.com o llámenos a la línea gratuita 1-800-525-2579

Este producto tiene una garantía limitada de tres años.



OPERATOR'S MANUAL
MANUEL D'UTILISATION / MANUAL DEL OPERADOR
TOW BEHIND DUMP CART
CHARIOT-REMORQUE À BASCULE
CARRO DE VOLTEO DE REMOLQUE
ACRM025

- **PARTS AND SERVICE:** Prior to requesting service or purchasing replacement parts, please obtain your item, manufacturing, and serial numbers from the product data plate.

ITEM NO.* _____ **MANUFACTURING NO.** _____
SERIAL NO. _____

** Model/item number on product may have additional letters at the end. These letters designate manufacturing information and should be provided when calling for service.*

HOW TO OBTAIN REPLACEMENT PARTS: Replacement parts can be purchased online at www.ryobitools.com or by calling 1-800-525-2579. Replacement parts can also be obtained at one of our service centers.

HOW TO LOCATE A SERVICE CENTER: Service centers can be located online at www.ryobitools.com or by calling 1-800-525-2579.

HOW TO OBTAIN CUSTOMER OR TECHNICAL SUPPORT: To obtain customer or technical support please contact us at 1-800-525-2579.

RYOBI is a registered trademark of Ryobi Limited and is used pursuant to a license granted by Ryobi Limited.

- **PIÈCES ET SERVICE :** Avant de faire la demande de service ou l'achat de pièces de remplacement, veuillez obtenir le numéro d'article, le numéro de fabrication et le numéro de série à partir de la plaque de données du produit.

NUMÉRO D'ARTICLE* _____ **NUMÉRO DE FABRICATIO**
NUMÉRO DE SÉRIE _____

** Le numéro de modèle/article sur le produit peut contenir des lettres supplémentaires à la fin. Ces lettres désignent les informations du fabricant et doivent être fournies lors d'un appel de demande de service.*

COMMENT OBTENIR LES PIÈCES DE REMPLACEMENT : Les pièces de remplacement peuvent être achetées en ligne sur le site www.ryobitools.com ou par téléphone au 1-800-525-2579. Les pièces de remplacement peuvent être obtenues à un de nos centres de service.

COMMENT TROUVER UN CENTRE DE SERVICE : Les centres de service peuvent être localisés en ligne au www.ryobitools.com ou en téléphonant au 1-800-525-2579.

COMMENT OBTENIR DE L'AIDE EN CONTACTANT LE SERVICE À LA CLIENTÈLE : Pour contacter le service à la clientèle pour une question technique ou pour tout autre renseignement, veuillez nous téléphoner au 1-800-525-2579.

RYOBI est une marque déposée de Ryobi Limited et est utilisée en vertu d'une licence accordée par Ryobi Limited.

- **PIEZAS DE REPUESTO Y SERVICIO:** Antes de solicitar servicio técnico o comprar piezas de repuesto, obtenga su número de artículo, el número de fabricación y el número de serie de la placa de datos del producto.

NÚMERO DE ARTÍCULO* _____ **NÚMERO DE FABRICACIÓ**
NÚMERO DE SERIE _____

** El número de modelo/artículo que figura en el producto podría tener letras adicionales al final. Estas designan información de fabricación y deben suministrarse cuando llame para obtener asistencia o servicio.*

CÓMO OBTENER PIEZAS DE REPUESTO: Las piezas de repuesto se pueden comprar en nuestro sitio en la red mundial, en la dirección www.ryobitools.com o llamando al 1-800-525-2579. Las piezas de repuesto también se pueden obtener en uno de nuestros centros de servicio.

CÓMO LOCALIZAR UN CENTRO DE SERVICIO: Puede encontrar los centros de servicio visitando nuestro sitio en la red mundial, en la dirección www.ryobitools.com or by calling 1-800-525-2579.

CÓMO OBTENER SERVICIO O ASISTENCIA TÉCNICA AL CONSUMIDOR: Para obtener servicio o asistencia técnica al consumidor, sírvase comunicarse con nosotros llamando al 1-800-525-2579.

RYOBI es una marca registrada de Ryobi Limited y se utiliza conforme a una licencia otorgada por Ryobi Limited.

TTI OUTDOOR POWER EQUIPMENT, INC.

999000234
3-15-23 (REV:01)

P.O. Box 1288, Anderson, SC 29622, USA
1-800-525-2579 • www.ryobitools.com

