



**2 QT
AIR FRYER** Instruction Manual and Recipe Guide

**2 QT
FREIDORA DE AIRE** Manual de instrucciones y guía de recetas

WWW.BELLAHOUSEWARES.COM

Register your product and get support • Registrar y obtener asistencia de su producto



THANK YOU

for your purchase

**REGISTER
AND SIGN UP**



for special announcements and trendy recipes!

**TELL US WHAT
YOU THINK!**



Rate, review or ask us a question.

GO TO: bellahousewares.com

#myBELLAlife



BellaLifestyle



BellaLife

Table of Contents

Important Safeguards.....	2
Additional Important Safeguards.....	3
Notes on the Plug.....	4
Notes on the Cord.....	4
Plasticizer Warning.....	4
Electric Power.....	4
Getting to Know Your 2QT Air Fryer.....	5
Control Dials.....	6
Before Using for the First Time.....	6
Operating Instructions.....	7
Helpful Hints.....	8
Air Frying Chart.....	8-9
User Maintenance Instructions.....	10
Care & Cleaning Instructions.....	10
Storing Instructions.....	10
Recipe Guide.....	11-15
Warranty.....	16

Índice

Medidas de seguridad importantes.....	17
Otras medidas de seguridad importantes.....	18
Notas sobre el enchufe.....	19
Notas sobre el cable.....	19
Advertencia sobre los plastificantes.....	19
Corriente eléctrica.....	19
Conozca su 2 QT Freidora de Aire.....	21
Diales de control.....	21
Antes de utilizar por primera vez.....	21
Instrucciones de funcionamiento.....	22
Consejos útiles.....	23
Tabla para freír con aire.....	23-24
Instrucciones de mantenimiento.....	25
Instrucciones de cuidado y limpieza.....	25
Instrucciones de almacenamiento.....	25
Guía de recetas.....	26-30
Garantía.....	31

IMPORTANT SAFEGUARDS

When using electrical appliances, basic safety precautions should always be followed, including the following:

1. **READ ALL INSTRUCTIONS.**
2. Do not touch hot surfaces. Use handles or knobs. Use oven mitts or potholders.
3. To protect against electric shock do not immerse cord, plugs, or appliance in water or other liquid.
4. This appliance is not intended for use by persons (including children) with reduced physical, sensory or mental capabilities, or lack of experience and knowledge, unless they have been given supervision or instruction concerning use of the appliance by a person responsible for their safety.
5. Children should be supervised to ensure that they do not play with the appliance.
6. Unplug from outlet when not in use and before cleaning. Allow to cool before putting on or taking off parts, and before cleaning the appliance.
7. Do not operate any appliance with a damaged cord or plug or after the appliance malfunctions or has been damaged in any manner. Bring it to a qualified technician for examination, repair or electrical or mechanical adjustment.
8. The use of accessory attachments not recommended by the appliance manufacturer may cause injuries.
9. Do not use outdoors.
10. Do not let cord hang over edge of table or counter or touch hot surfaces.
11. Do not place on or near a hot gas or electric burner, or in a heated oven.
12. Extreme caution must be used when moving an appliance containing hot oil or other hot liquids.
13. To disconnect, turn the timer dial to OFF. Then remove plug from wall outlet.
14. Do not use appliance for other than intended use.
15. Make sure the crisping tray is in place before adding food to be air fried.
16. Make sure the frying basket is locked securely into the front of the Air Fryer, while the Air Fryer is in operation.

WARNING: The Air Fryer will not operate unless frying basket is fully closed.

CAUTION: After hot air frying, extreme caution must be used when handling the hot frying basket, crisping tray, and cooked foods.

SAVE THESE INSTRUCTIONS FOR HOUSEHOLD USE ONLY

ADDITIONAL IMPORTANT SAFEGUARDS

CAUTION HOT SURFACES: This appliance generates heat and escaping steam during use. Proper precautions must be taken to prevent the risk of burns, fires, or other injury to persons or damage to property.

CAUTION: This appliance is hot during operation and retains heat for some time after turning OFF. Always use oven mitts when handling hot materials and allow metal parts to cool before cleaning. Do not place anything on top of the appliance while it is operating or while it is hot.

1. All users of this appliance must read and understand this instruction manual before operating or cleaning this appliance.
2. The cord to this appliance should be plugged into a 120V AC electrical outlet only.
3. If this appliance begins to malfunction during use, immediately unplug the cord. Do not use or attempt to repair the malfunctioning appliance.
4. Do not leave this appliance unattended during use.
5. Do not immerse power cord in any liquid. If the power cord to this appliance is damaged, it must be replaced by contacting Consumer Service.
6. Keep the cord out of reach from children and infants to avoid the risk of electric shock and choking.
7. Place the Air Fryer on a flat, heat-resistant work area.
8. Do not obstruct the air outlet or air inlets on the back and sides of the Air Fryer, with any objects. Avoid escaping steam from the air outlet during air frying.
9. Keep appliance at least 4 inches away from walls or other objects during operation.
10. Always use the frying basket handle to open the frying basket.
11. **WARNING: After air frying, make sure to place the frying basket on a flat, heat-resistant surface.**
WARNING: Under or over-filling the frying basket may damage the Air Fryer and could result in serious personal injury.
12. Never move a hot Air Fryer or an Air Fryer containing hot food. Allow to cool before moving.

NOTES ON THE PLUG

This appliance has a polarized plug (one blade is wider than the other). To reduce the risk of electric shock, this plug will fit in a polarized outlet only one way. If the plug does not fit fully into the outlet, reverse the plug. If it still does not fit, contact a qualified electrician. Do not modify the plug in any way.

NOTES ON THE CORD

- A. A short power-supply cord (or detachable power-supply cord) is to be provided to reduce the risk resulting from becoming entangled in or tripping over a longer cord.
- B. Longer detachable power-supply cords or extension cords are available and may be used if care is exercised in their use.
- C. If a long detachable power-supply cord or extension cord is used :
 - 1. The marked electrical rating of the cord or extension cord should be at least as great as the electrical rating of the appliance;
 - 2. If the appliance is of the grounded type, the extension cord should be a grounding-type 3-wire cord; and
 - 3. The longer cord should be arranged so that it does not drape over the countertop or table top where it can be pulled on by children or tripped over unintentionally.

PLASTICIZER WARNING

CAUTION: To prevent Plasticizers from migrating to the finish of the counter top or table top or other furniture, place NON-PLASTIC coasters or place mats between the appliance and the finish of the counter top or table top. Failure to do so may cause the finish to darken; permanent blemishes may occur, or stains can appear.

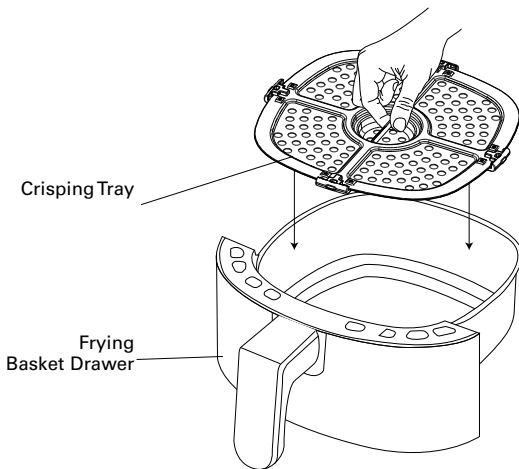
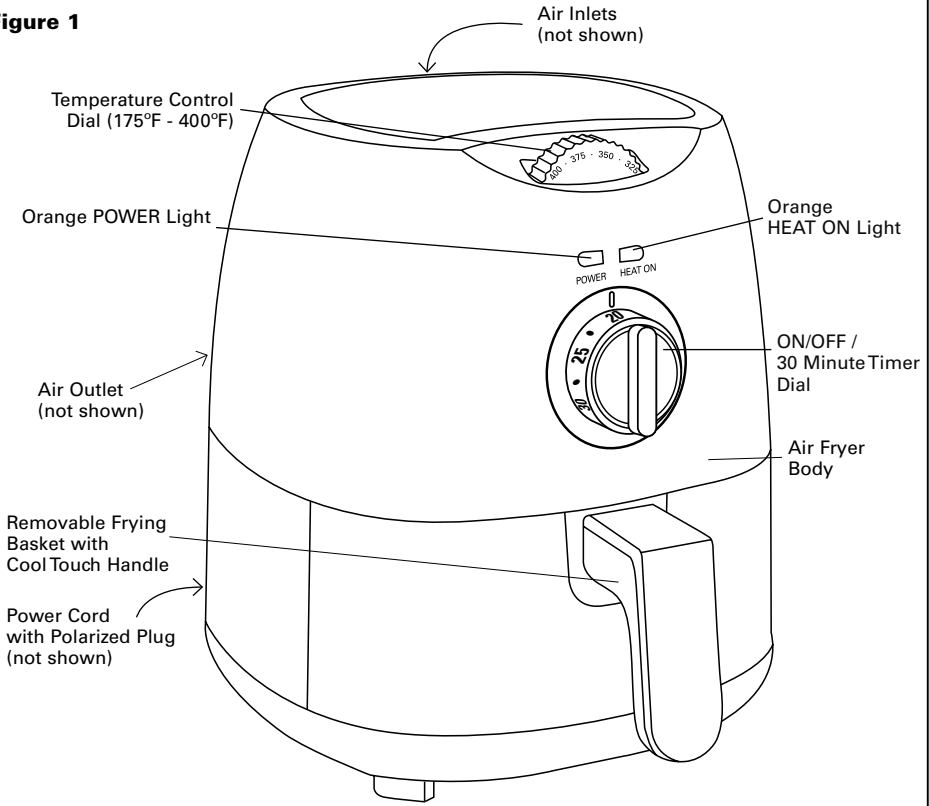
ELECTRIC POWER

If the electrical circuit is overloaded with other appliances, your appliance may not operate properly. It should be operated on a separate electrical circuit from other appliances.

Getting to Know Your 2QT Air Fryer

Product may vary slightly from illustration

Figure 1



Control Dials

Temperature Control Dial

- Select air frying temperature from 175°F to 400°F. Temperatures can be adjusted at any time.
- The orange HEAT ON light will turn off when set temperature is reached.
- The orange HEAT ON light and heating element cycle on and off to maintain the selected temperature.

30 Minute Countdown Timer Dial

- Once the timer dial is set, the orange HEAT ON light will illuminate to show the Air Fryer is heating.
- To assure even cooking/browning, open the frying basket halfway through the cooking time. Check, turn or vigorously shake foods in the frying basket.

IMPORTANT: When you pull the basket out from the Air Fryer body, the orange HEAT ON light and the Air Fryer will turn OFF. The timer will continue to count down when the basket is opened. Allow for additional cook time as necessary.

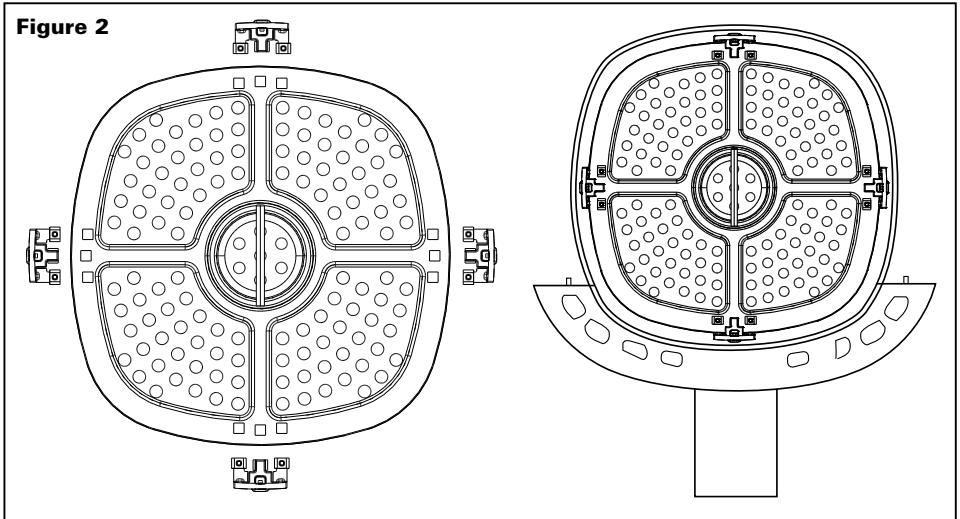
- Heating will resume when the basket is replaced.
- One beep will sound when the set air frying time has reached 0. The Air Fryer will turn OFF automatically. The orange HEAT ON light will turn off.

IMPORTANT: When all air frying is finished, turn the timer dial to 0 (OFF). Unplug the Air Fryer when not in use.

Before Using for the First Time

1. Your Air Fryer is shipped with the frying basket locked into the front of the Air Fryer body. Firmly grasp the handle to open frying basket; then remove the basket from the machine and place on a flat, clean work area.
2. Remove all packing material and labels from the inside and outside of the Air Fryer. Check that there is no packaging underneath and around the frying basket.
3. Wash the frying basket and crisping tray in hot, soapy water.
4. **DO NOT IMMERS THE AIR FRYER BODY IN WATER.** Wipe Air Fryer body with a damp cloth. Dry all parts thoroughly.
5. To ensure the crisping tray fits snugly into the frying basket drawer, there are 4 rubber tips attached to the sides of the tray. Before using, check to make sure all 4 rubber tips are in place. If they become separated from the tray, simply slide onto the tabs as shown.

Figure 2



Operating Instructions

WARNING! This unit should never be used to boil water or heat oil.

NOTE: During first use, the Air Fryer may emit a slight odor. This is normal and will not affect food cooked.

1. Place the Air Fryer on a flat, heat-resistant work area, close to an electrical outlet.
2. Firmly grasp the frying basket handle to open frying basket; then remove from the machine and place on a flat, clean surface.
3. Place the crisping tray into the base of the frying basket.
4. Arrange food on top of the crisping tray. Do not overfill frying basket with food. To ensure proper cooking and air circulation, NEVER fill any frying basket more than 2/3 full. When air frying fresh vegetables, we do not recommend adding more than 1-1/2 cups of food to the frying basket.
5. Fully insert the frying basket into the front of the Air Fryer.
6. Plug cord in the wall outlet.
7. Select air frying temperature from 175°F to 400°F.
8. Turn timer dial to the desired air frying time plus 3 minutes for preheat if the Air Fryer is cold. The orange HEAT ON light will illuminate; the Air Fryer will begin heating.

IMPORTANT: The Air Fryer will not heat if the timer dial has not been set or if the frying basket is not fully closed

9. The orange HEAT ON light will turn off when set temperature is reached.
NOTE: During air frying, the orange HEAT ON light will cycle on and off as proper air frying temperature is maintained.
10. To assure even cooking/browning, open the basket halfway through the frying time and check, turn or shake foods in the frying basket. Adjust temperature if needed. The timer will continue to count down when the basket is opened, but the Air Fryer will stop heating until the basket is replaced.

WARNING: Extreme caution must be used when handling the hot frying basket and crisping tray. Avoid escaping steam from the frying basket and hot food.

CAUTION: Always use oven mitts when handling the hot air frying basket.

CAUTION: Hot oil can collect at the base of the drawer. To avoid risk of burns or personal injury, or to avoid oil from contaminating air fried foods, always use a pair of tongs or a long wooden spoon to remove the foods from the frying basket. NEVER turn the basket upside down containing air fried foods.

NOTE: The Air Fryer can be turned OFF at any time by turning the timer dial to 0.

11. One beep will sound when the set air frying time has expired. The Air Fryer will turn OFF automatically. The orange HEAT ON light will turn off automatically. Both the orange POWER light and the orange HEAT ON light will turn off.
12. Shake the frying basket vigorously and check food for browning and doneness. If additional air frying is needed, adjust temperature if desired, and set timer for 3-minute intervals until fully cooked.
13. Allow cooked food to rest for 5 to 10 seconds before removing basket from Air Fryer or food from frying basket.
14. When air frying is finished, remove the basket from the machine and place on a flat, heat resistant surface.
15. Use tongs or a long fork to remove air fried foods onto a serving plate. Promptly replace the frying basket into the front of the Air Fryer. Continue with subsequent batches, if any.
16. When all air frying is completed, turn the timer dial to OFF. The orange HEAT ON light will turn off.
17. Unplug the Air Fryer when not in use.

Helpful Hints

1. Spray olive oil or vegetable oil works well for air frying.
2. Use your Air Fryer to cook pre-packaged foods with a fraction of the oil, in a fraction of the time! As a general rule, lower the recipe baking temperature by 20°F, up to 50°F and reduce the cooking time by 30% to 50% depending on the food and amount.
3. Do not overfill frying basket with food. NEVER fill any frying basket more than 2/3 full. When air frying fresh vegetables, we do not recommend adding more than 1-11/2 cup of food to the frying basket.
4. **For best results**, some foods need to be shaken vigorously or turned over during the air fry time. Consult the Air Frying Chart as a general guide.
5. To avoid excess smoke, when cooking naturally high fat foods, such as chicken wings or sausages, it may be necessary to empty fat from the frying basket between batches.
6. Always pat food dry before cooking to encourage browning and avoid excess smoke.
7. Air fry small batches of freshly breaded foods. Press breading onto food, place on a cooling rack and refrigerate to help breading adhere. Arrange in frying basket so that food is not touching to allow air flow on all surfaces.
8. **The Air Fryer is perfect for reheating food. Set the temperature to 300°F for up to 10 minutes.**

Air Frying Chart

WARNING! ALWAYS USE A MEAT THERMOMETER TO ENSURE THAT MEAT, POULTRY AND FISH ARE COOKED THOROUGHLY BEFORE EATING. The following chart is intended as a guide only. The quantity of food air fried at one time, the thickness or density of the food, and whether the food is fresh, thawed, or frozen may alter the total cooking time necessary.

1. To assure even cooking/browning, open the frying basket halfway through the cooking time. Check, turn or vigorously shake foods in the frying basket. This chart lists average total air frying time, the time at which some action is required, and what action is to be taken for best results.
2. Remember, frying smaller batches will result in shorter cooking times and higher food quality. Adjust air frying temperatures and times as necessary to suit your taste.

IMPORTANT NOTE: Unless food is pre-packaged and pre-oiled, for browned and crispy results, all foods should be lightly oiled before air frying.

- Oil may be sprayed or brushed onto foods.
- Spray oils work well as oil is evenly distributed and smaller quantities of oil are needed.
- To ensure crispy results, make sure foods are dried before adding oil.
- Cut pieces smaller to create more surface area for crispier results.
- Blanching is a term that refers to pre-cooking foods at a lower temperature before the final air fry.
- Add 3 minutes to the **AIR FRY TIME** to allow the cold Air Fryer to preheat.

FOOD	TEMP	AIR FRY TIME*	TIME	ACTION
Mixed Vegetables (roasted)	400°F	15 - 20 minutes	8 minutes	shake
Broccoli (roasted)	400°F	15 - 20 minutes	8 minutes	shake
Onion Rings (frozen)	400°F	12 - 18 minutes	8 minutes	shake
Cheese Sticks (frozen)	350°F	8 - 12 minutes	—	—
Fried Sweet Potato Chips (fresh, hand cut, 1/8 to 1/16-in. thick)				
Blanch (Step 1)	325°F	15 minutes	8 minutes	shake
Air Fry (Step 2)	350°F	5 minutes	3 minutes	shake
French Fries, (fresh, hand cut, 1/4 to 1/3-in. thick)				
Blanch (Step 1)	325°F	15 minutes	8 minutes	shake
Air Fry (Step 2)	350°F	10 - 15 minutes	5 minutes	shake
French Fries, thin (frozen 1.5 cups)	400°F	12 - 16 minutes	8 minutes	—
French Fries, thick (frozen 1.5 cups)	400°F	17 - 21 minutes	10 minutes	shake
Meatloaf, 1 lb.	350°F	35 - 40 minutes	—	—
Hamburgers, 1/4 lb. (up to 2)	350°F	10 - 14 minutes	(rare to well done)	
Hot Dogs /Sausages	350°F	10 - 15 minutes	6 minutes	turn over
Chicken Wings (fresh/thawed)				
Blanch (Step 1)	325°F	15 minutes	8 minutes	shake
Air Fry (Step 2)	350°F	9 - 12 minutes	5 minutes	shake
Chicken Tenders/Fingers				
Blanch (Step 1)	360°F	10 minutes	5 minutes	turn over
Air Fry (Step 2)	400°F	5 minutes	3 minutes	shake
Chicken Pieces	350°F	20 - 30 minutes	10 minutes	turn over
Chicken Nuggets (frozen)	350°F	10 - 15 minutes	5 minutes	shake
Catfish Fingers (thawed, battered)	400°F	7 - 8 minutes	3 minutes	turn over
Fish Sticks (frozen)	400°F	10 - 15 minutes	5 minutes	turn over
Apple Turnovers	400°F	5 minutes	—	—
Donuts	350°F	5 minutes	3 minutes	turn over
Fried Cookies	350°F	8 minutes	4 minutes	turn over

*Add 3 minutes to the **AIR FRY TIME** to allow the Air Fryer to preheat.

PLEASE NOTE:

The USDA recommends that meats such as beef and lamb, etc. should be cooked to an internal temperature of 145°F/63°C. Pork should be cooked to an internal temperature of 160°F/71°C and poultry products should be cooked to an internal temperature of 170°F/77°C - 175°F/82°C to be sure any harmful bacteria has been killed. When reheating meat/poultry products, they should also be cooked to an internal temperature of 165°F/74°C.

User Maintenance Instructions

This appliance requires little maintenance. It contains no user-serviceable parts. Any servicing requiring disassembly other than cleaning must be performed by a qualified appliance repair technician.

Care & Cleaning Instructions

WARNING! Allow the Air Fryer to cool fully before cleaning.

1. Unplug the Air Fryer. Remove frying basket. Make sure the frying basket and crisping tray have cooled completely before cleaning. Use the center hole of the crisping tray to lift crisping tray up and out of the frying basket.
2. Wash the frying basket and crisping tray in hot soapy water. Do not use metal kitchen utensils or abrasive cleansers or cleaning products as this may damage the non-stick coating.
IMPORTANT: After cleaning, always check to make sure all 4 rubber tips are securely fastened to the 4 tabs on the crisping tray.
3. The frying basket and crisping tray are dishwasher-safe. **For best results**, place in the top rack of your dishwasher to clean.

Storing Instructions

1. Make sure the Air Fryer is unplugged and all parts are clean and dry before storing.
2. Never store the Air Fryer while it is hot or wet.
3. Store Air Fryer in its box or in a clean, dry place.

Recipes

Air Fried Sweet Potato Chips

Serves 1 to 2

- 1 large sweet potato (2 cups)
 - 2 teaspoons vegetable oil
 - Cinnamon sugar or brown sugar, optional
1. **Wash the sweet potato and peel if desired.**
 2. **If available, use a mandolin to cut thin and even potato chips.**
 3. **To cut by hand, first cut potato in half, and with the flat side on the cutting board, hand cut into very thin chips.**
 4. **Place vegetable oil into a large bowl. Add raw potatoes and use your hands to mix well, making sure every chip is oiled on all sides. NOTE: Spray oils may be substituted.**
 5. **Transfer oiled chips to the frying basket**
 6. **Set Air Fryer to 325°F and air fry for 15 minutes. Shake the frying basket vigorously halfway through air fry time.**
 7. **Increase heat to 350°F and air fry for 5 minutes. Shake the frying basket vigorously halfway through air fry time.**
 8. **Remove from Air Fryer. Sprinkle hot potatoes with cinnamon sugar or brown sugar for a special sweet treat.**

Hard Cooked Eggs

- 6 eggs

Place in the Air Fryer @ 260°F for 13 minutes.

When eggs are cool enough to handle, they will be perfectly cooked!

Stuffed Rainbow Baby Bells

- 1 poblano pepper, may substitute 1-2 jalapenos, or 1 Cubanelle
 - 8 baby bell peppers
 - 1/4 cup vegetable cream cheese
 - 1/4 cup grated or shredded fresh Parmesan cheese
 - 2 tablespoons milk
 - 1 handful mixed greens
 - 1 teaspoon zaatar seasoning
 - 1 teaspoon Kosher salt
1. **Roast poblano pepper, or any fresh pepper(s) of your choice. Lightly spray with oil. Place in the Air Fryer and cook @ 370°F for 13 minutes. Turn pepper(s) halfway through cooking.**
 2. **When cooled, remove top(s), skin, slice open to scrape out seeds. Chop cooked pepper(s) into small pieces.**
 3. **Prepare baby bells by removing the tops, scoop out the insides by removing the seeds, and veins. Set aside.**
 4. **Place all filling ingredients into a large bowl. Mix well.**
 5. **Stuff each pepper with this mixture. Arrange in the frying basket.**
 6. **Spray with olive oil, optional.**
 7. **Set Air Fryer to 370°F and cook for 8 to 10 minutes. Turn stuffed peppers halfway through cooking.**
 8. **Serve at room temperature.**

Recipes

Air Fried Hassle-Free Hasselback Potatoes

- 1 or 2 medium potatoes, red or white
 - olive oil, as needed
 - Kosher salt or sea salt
 - shredded cheese, your choice, optional
 - bacon bits, optional
1. **Wash potatoes well. Depending on your preference, these Hassle-Free potatoes are delicious either with the skin on or peeled.**
 2. **Prepare Hasselbacks. Cut slits 1/4-inch apart and 1/4-inch from the bottom of the potatoes.**
 3. **Brush potatoes with olive oil.**
 4. **Set Air Fryer to 370°F and cook for 30 minutes.**
 5. **Halfway through cook time, brush potatoes with olive oil. Continue to cook until potatoes are fully cooked.**
 6. **Delicious plain or topped! Try shredded cheese and bacon bits, plain melted salted butter, sour cream, chives, pesto, salsa, or olive tapenade.**

Family Cornbread

- 1 (8 oz.) box corn muffin/corn bread mix
 - 1/2 (8 oz.) can creamed corn
 - 1/2 cup shredded pepper jack or cheddar cheese
 - 1 egg
 - 1 tablespoon salted butter, melted
 - 2 tablespoons sour cream
1. **IMPORTANT! Remove the crisping tray from the frying basket drawer.**
 2. **Whisk an egg in a medium mixing bowl. Add corn muffin mix and the remaining ingredients to the bowl and mix well.**
 3. **Bake 400°F for 18 to 20 minutes or until golden brown and a toothpick comes out clean.**

Fish & Chips

Fried Catfish Nuggets

Makes 12 nuggets

Serves 3 to 4

Treat your family to a delicious Fish & Chips dinner. These sweet and juicy catfish nuggets are crunchy good and pair fabulously with fresh hand cut French fries (recipe follows). Serve with fresh slaw and the meal is complete!

- 1 small catfish filet, or a 1/3 to 1/2 lb. hunk of filet
 - 1/8 cup flour
 - 1 tablespoon Old Bay® seasoning
 - 1 egg + 1 egg white
 - 3/4 cup seasoned panko bread crumbs
 - olive oil spray
1. **Cut the catfish into 10 to 12 nuggets approximately 1-inch by 2-inches in length.**
 2. **Season each piece of fish, top and bottom, with Old Bay® seasoning.**
 3. **Set up 3-bowl breading station:**
 - Flour
 - Whisk egg and egg white until well blended
 - Panko bread crumbs
 4. **Place each piece of catfish into the flour. Pat gently with your hands to remove any excess.**

Recipes

5. Dip both sides into egg.
6. Dip and press and coat both sides with panko bread crumbs.
7. Add 4 to 5 catfish nuggets to air frying basket. Allow air circulation on all sides of each fish piece for best browning.
8. Spray with olive oil. (optional)
9. Set Air Fryer to 400°F and air fry for 7 to 8 minutes. Turn fish at 3 minutes.
10. Repeat with remaining fish nuggets.

Chips (Fresh Hand Cut French Fries)

Serves 1 to 2

- 1 russet potato
- 2 teaspoons vegetable oil
- Kosher salt, to taste

Brine

- 6-8 cups water
- 4 tablespoons salt

1. Cut potatoes into 1/4" x 1/4" French fries. One medium potatoes will yield 2 cups raw cut potatoes. It is best to fry in 2 batches.
2. Soak potatoes in brine for 1 hour to overnight.
3. Dry on clean kitchen towel.
4. Place 2 teaspoons of vegetable oil into a large bowl. Add raw potatoes and use your hands to mix well, making sure every potato is oiled on all sides.
5. Transfer oiled potatoes to the frying basket.
6. Set Air Fryer to 325°F and air fry for 15 minutes Shake the frying basket vigorously halfway through air fry time.
7. Increase heat to 350°F and air fry for 10 minutes. Shake the frying basket vigorously halfway through air fry time.
8. Remove from Air Fryer and add Kosher salt, or your choice of seasonings, to taste.
9. Repeat with remaining potatoes.

Nutrition Facts:

- Per 1/2 recipe
- Calories 170
- Fat 2.5g
- Cholesterol 0mg
- Sodium 470mg
- Carbohydrate 32g
- Fiber 3g
- Sugars 2g
- Protein 4g

Nutrition Comparisons:

- These fries contain 88% less fat than typical fast food French fries (based on averaged data from 4 restaurants).
- These fries contain 65% fewer calories than typical fast food French fries (based on averaged data from 4 restaurants).

Nutrition Notes:

The sodium value is an estimate only. It will vary depending on how long the potatoes stay in the brine and the amount of brine absorbed into the potatoes. This analysis estimates a brine absorption of 10% of the raw weight of the potatoes

Recipes

Crisp & Juicy Chicken Tenders

- 2 egg whites
 - 1/4 cup water
 - 3/4 cup seasoned panko bread crumbs
 - 4 chicken tenders (1 1/4 lb)
 - Spray olive oil (optional)
1. In small bowl, lightly beat together egg whites and water. Place bread crumbs on plate. Dip 1 chicken tender into egg whites; dredge in bread crumbs, pressing to coat on both sides. Repeat with remaining chicken tenders.
 2. Add breaded chicken tenders to fry basket, leaving space in between to allow air circulation for browning. Spray with olive oil (if using).
 3. Set Air Fryer to 350°F; air fry for 12 minutes, turning chicken tenders halfway through air fry time. Increase heat to 400°F; air fry for 6 minutes, turning chicken tenders halfway through air fry time. Repeat with remaining chicken tenders.

Tip: Use chicken tenders whole or cut into pieces if desired.

Nutrition Facts

- (2 tenders)
- Carbohydrate 8g
- Calories 200
- Fiber 0g
- Fat 3g
- Sugars 0g
- Cholesterol 80mg
- Protein 34g
- Sodium 100mg

Nutrition Comparisons:

- These chicken tenders contain 89% less fat than typical fast food chicken tenders (based on averaged data from 2 restaurants).
- These chicken tenders contain 57% fewer calories than typical fast food chicken tenders (based on averaged data from 2 restaurants).

Recipes

Apple Turnovers with Vanilla Drizzle

Makes: 8 bitsy turnovers

- 2 (5-in. x 5-in.) frozen, prepared puff pastry sheets, thawed
- 1/2 cup apple pie filling
- 3 teaspoons golden raisins (optional)

Vanilla* Drizzle

- 1/2 cup confectioner's sugar
- 1 tablespoon milk
- 1/4 teaspoon vanilla* extract

Chocolate Drizzle

- 1/2 cup confectioner's sugar
- 2 tablespoons cocoa powder (unsweetened)
- 1 tablespoon milk
- 1/4 teaspoon vanilla* extract

1. **Prepare icings to drizzle over turnovers. Combine ingredients in a small bowl and mix well.**
**May substitute caramel, maple, almond, lemon, or orange extract.*
2. **Unfold thawed puff pastry sheet onto a clean, lightly floured surface.**
3. **Spoon 1 tablespoon pie filling into the center of each square.**
4. **Fold pastry over the pie filling to form a triangle. Crimp edges with a fork to seal.**
5. **Add 4 bitsy turnovers to the frying basket.**
6. **Set Air Fryer to 400° and air fry for 5 minutes.**
7. **Remove bitsy turnovers from frying basket. Allow to cool.**
8. **Repeat with 4 remaining turnovers.**
9. **Use a small spoon to drizzle vanilla in a zig zag pattern over the top.**
**May substitute any flavor prepared canned pie filling.*

Variation: Cherry Turnovers with Chocolate Drizzle

1. **Follow the turnover recipe above. Use cherry pie filling.**
2. **Drizzle with chocolate icing.**
3. **Serve warm turnovers topped with your favorite ice cream.**



Limited TWO-YEAR Warranty

SENSIO Inc. hereby warrants that for a period of **TWO YEARS** from the date of purchase, this product will be free from mechanical defects in material and workmanship, and for 90 days in respect to non-mechanical parts. At its sole discretion, SENSIO Inc. will either repair or replace the product found to be defective, or issue a refund on the product during the warranty period.

The warranty is only valid for the original retail purchaser from the date of initial retail purchase and is not transferable. Keep the original sales receipt, as proof of purchase is required to obtain warranty validation. Retail stores selling this product do not have the right to alter, modify, or in any way revise the terms and conditions of the warranty.

EXCLUSIONS:

The warranty does not cover normal wear of parts or damage resulting from any of the following: negligent use of the product, use of improper voltage or current, improper routine maintenance, use contrary to the operating instructions, disassembly, repair, or alteration by anyone other than qualified SENSIO Inc. personnel. Also, the warranty does not cover Acts of God such as fire, floods, hurricanes, or tornadoes.

SENSIO Inc. shall not be liable for any incidental or consequential damages caused by the breach of any express or implied warranty. Apart from the extent prohibited by applicable law, any implied warranty of merchantability or fitness for a particular purpose is limited in time to the duration of the warranty. Some states, provinces or jurisdictions do not allow the exclusion or limitation of incidental or consequential damages, or limitations on how long an implied warranty lasts, and therefore, the above exclusions or limitations may not apply to you. The warranty covers specific legal rights which may vary by state, province and/or jurisdiction.

HOW TO OBTAIN WARRANTY SERVICE:

You must contact Customer Service at our toll-free number: 1-866-832-4843. A Customer Service Representative will attempt to resolve warranty issues over the phone. If the Customer Service Representative is unable to resolve the problem, you will be provided with a case number and asked to return the product to SENSIO Inc. Attach a tag to the product that includes: your name, address, daytime contact telephone number, case number, and description of the problem. Also, include a copy of the original sales receipt. Carefully package the tagged product with the sales receipt, and send it (with shipping and insurance prepaid) to SENSIO Inc.'s address. SENSIO Inc. shall bear no responsibility or liability for the returned product while in transit to SENSIO Inc.'s Customer Service Center.

MEDIDAS DE SEGURIDAD IMPORTANTES

Cuando se usan artefactos eléctricos, se deben siempre seguir las precauciones básicas de seguridad, incluso lo siguiente:

1. **LEA TODAS LAS INSTRUCCIONES.**
2. No toque las superficies calientes. Utilice las asas o los mangos. Utilice guantes de cocina o agarraderas.
3. Para protegerse del riesgo de descarga eléctrica, no sumerja el cable, el enchufe ni la unidad en agua ni en ningún otro líquido.
4. Este electrodoméstico no debe ser utilizado por personas (incluidos niños) con capacidades físicas, sensoriales o mentales reducidas, o con falta de experiencia y conocimientos, a menos que una persona responsable de su seguridad les haya brindado supervisión o instrucciones sobre el uso de los electrodomésticos.
5. Los niños deben ser supervisados para asegurarse de que no juegan con el aparato.
6. Desenchufe el electrodoméstico del tomacorriente cuando no esté en uso y antes de limpiarlo. Deje que el aparato se enfríe antes de colocar o sacar piezas.
7. No utilice ningún electrodoméstico que tenga un cable o enchufe dañado, que muestre un funcionamiento defectuoso o que se haya dañado de cualquier manera. Lleve el electrodoméstico a un técnico calificado para que lo examine, lo repare o le haga ajustes eléctricos o mecánicos.
8. El uso de accesorios no recomendados o vendidos por el fabricante puede causar fuego, descarga eléctrica o lesiones.
9. No lo utilice en exteriores.
10. No permita que el cable cuelgue del borde de la mesa o encimera o toque superficies calientes.
11. No coloque el aparato encima de, cerca de o en un quemador eléctrico o de gases calientes, ni dentro una estufa encendida.
12. Se debe tener extrema precaución al mover un aparato que contenga aceite caliente u otros líquidos calientes.
13. Para desconectar, gire el dial del temporizador a APAGADO (OFF). Quite el enchufe de la toma de corriente.
14. No utilice el aparato para otro uso que no sea el previsto.
15. Asegúrese de que la bandeja para dorar esté en su lugar antes de agregar alimentos para freír con aire.
16. Asegúrese de que la cesta de freír esté bloqueada firmemente en la parte delantera de la freidora de aire, mientras la freidora de aire está en funcionamiento.

ADVERTENCIA: La freidora de aire no funcionará a menos que cesta de freír esté bien cerrado.

PRECAUCIÓN: Después de freír, se debe tener extrema precaución al manejar la cesta de freír caliente, la bandeja para dorar y los alimentos.

GUARDE ESTAS INSTRUCCIONES SOLO PARA EL USO DOMESTICO

OTRAS MEDIDAS DE SEGURIDAD IMPORTANTES

PRECAUCIÓN, SUPERFICIES CALIENTES: Este aparato emite calor y se escape el vapor durante el uso. Se deben tomar las medidas necesarias para evitar riesgos de quemaduras, incendios u otras lesiones a personas o daños a la propiedad.

PRECAUCIÓN: Este aparato está caliente durante el funcionamiento y retiene el calor durante algún tiempo después de apagarlo. Siempre use guantes de horno cuando maneje materiales calientes y permita que las partes metálicas se enfríen antes de limpiar. No coloque nada encima del aparato mientras esté en funcionamiento o mientras esté caliente.

1. Todos los usuarios de este electrodoméstico deben leer y comprender este manual de instrucciones antes de poner en funcionamiento o limpiar el aparato.
2. Enchufe la unidad solamente en un tomacorriente de 120V de CA.
3. Si el aparato comienza a funcionar mal durante el uso, desenchúfelo inmediatamente. No utilice ni intente reparar el aparato que funciona mal.
4. No deje este aparato desatendido durante el uso.
5. No sumerja el cable de alimentación en ningún líquido. Si el cable de alimentación de este aparato está dañado, debe ser reemplazado por el servicio de atención al consumidor.
6. Mantenga el cable fuera del alcance de los niños y bebés para evitar el riesgo de descarga eléctrica y asfixias.
7. Coloque la freidora de aire sobre una superficie plana, resistente al calor.
8. No obstruya la salida de aire o las entradas de aire en la parte posterior y en los laterales de la freidora con cualquier objeto. Evite el escape de vapor de la salida de aire cuando freía con aire.
9. Mantenga el aparato alejado al menos 4 pulgadas de las paredes u otros objetos durante su funcionamiento.
10. Utilice siempre la manija de la cesta de freír para abrir la cesta de freír.
11. **ADVERTENCIA:** Después de freír el aire, asegúrese de colocar la cesta de freír sobre una superficie plana y resistente al calor.
ADVERTENCIA: El llenado o el llenado excesivo de la cesta de freír puede dañar la freidora y causar lesiones graves.
12. Nunca mueva una freidora de aire caliente o una freidora de aire que contenga alimentos calientes. Deje enfriar antes de mover.

NOTAS SOBRE EL ENCHUFE

This appliance has a polarized plug (one blade is wider than the other). To reduce the risk of electric shock, this plug will fit in a polarized outlet only one way. If the plug does not fit fully into the outlet, reverse the plug. If it still does not fit, contact a qualified electrician. Do not modify the plug in any way.

NOTES SOBRE EL CABLE

- A. Un cable corto de alimentación (o cable de alimentación desmontable) es suministrado para reducir el riesgo de que se enreden o se tropiecen con un cable más largo.
- B. Cables de alimentación más largos y removibles o las alargadoras son disponibles y se pueden utilizarlos si se ejerce cuidado
- C. Si un cable largo y removible o una alargadora sea usado:
 - 1. La potencia eléctrica marcada del cordón o de la alargadora debe ser, por lo menos, tan fuerte como la potencia eléctrica del aparato;
 - 2. Si el aparato es del tipo con conexión a tierra, el cable o la alargadora debe ser un enchufe de 3 hojas con conexión a tierra; y
 - 3. El cordón debe estar dispuesto de manera que no cuelga del borde de la encimera o la mesa donde pueda ser tirado por niños o donde alguien se tropiece involuntariamente con el cable.

ADVERTENCIA SOBRE LOS PLASTIFICANTES

PRECAUCIÓN: A fin de evitar que los plastificantes se adhieran al acabado de la encimera, la mesa u otro mueble, coloque un posafuentes o salvamanteles que NO SEA DE PLÁSTICO entre el electrodoméstico y la superficie de la encimera o mesa. Si no se hace esto, es posible que el acabado se oscurezca, se formen marcas permanentes o aparezcan manchas.

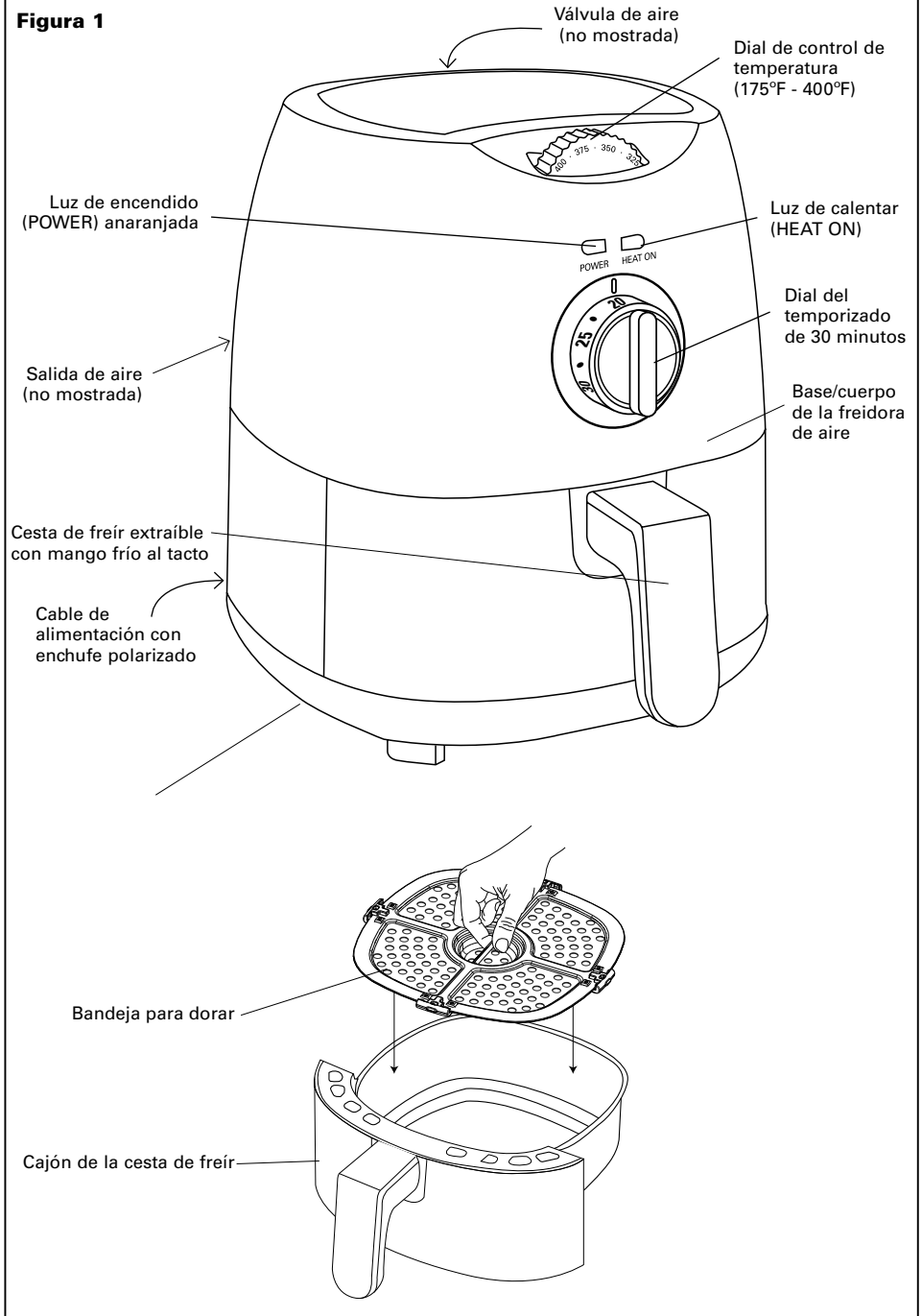
CORRIENTE ELÉCTRICA

Si el circuito eléctrico esta sobrecargado con otros artefactos, es posible que el electrodoméstico no funcione correctamente. El electrodoméstico debe funcionar en un circuito eléctrico separado de otros aparatos.

Conozca su 2 QT Freidora de aire de convección

El producto puede diferir levemente de las ilustraciones

Figura 1



Diales de control

Dial de control de temperatura

- Seleccione la temperatura de freír de 175°F a 400°F. Se puede ajustar las temperaturas en cualquier momento.
- La luz anaranjada de calentar (HEAT ON) se apagará cuando se alcance la temperatura seleccionada.
- La luz de calentar azul (HEAT ON) y el elemento de calentamiento se encienden y se apagan para mantener la temperatura seleccionada.

Dial del temporizador regresivo de 30 minutos

- Cuando se establece el dial del temporizador, la luz anaranjada de CALENTAR (HEAT ON) se iluminará para indicar que la freidora de aire se está calentando.
- Para asegurar una cocción/tostado uniforme, abra la cesta de freír a la mitad del tiempo de cocción. Chequee, dé vuelta o agite fuerte los alimentos en la cesta de freír

IMPORTANTE: Cuando saque el cajón de la freidora de aire, la luz anaranjada de CALENTAR (HEAT ON) y la freidora de aire se APAGARÁN. El temporizador seguirá la cuenta regresiva cuando se abra la cesta. Deje que los alimentos frien por más tiempo si es necesario.

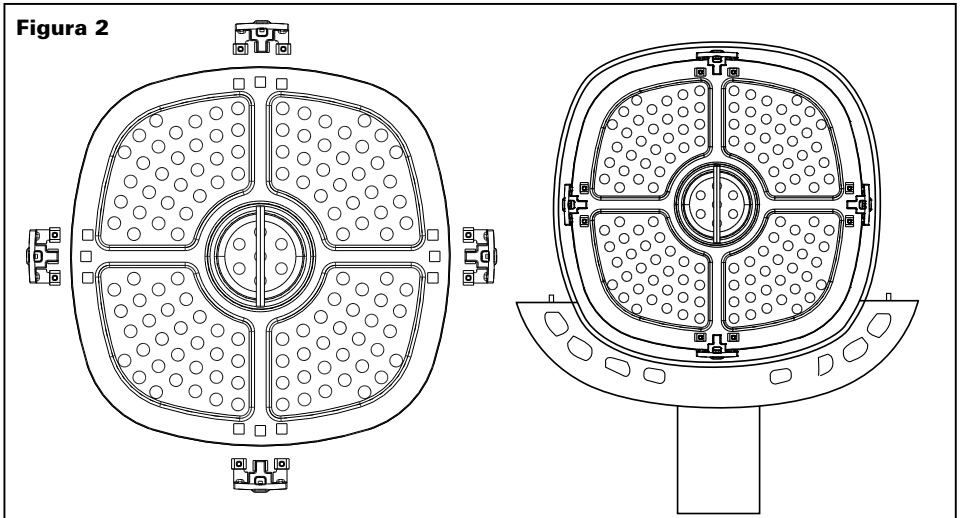
- La freidora seguirá calentar cuando se cambie la cesta.
- Se escuchará un pitido cuando el tiempo de freír ajustado haya alcanzado 0. La freidora de aire se APAGARÁ automáticamente. La luz anaranjada de CALENTAR (HEAT ON) se apagará.

IMPORTANTE: Cuando termine de freír, gire el dial del temporizador a 0 (APAGADO). Desenchufe la freidora de aire cuando no esté en uso.

Antes de utilizar por primera vez

1. Su freidora de aire viene con la cesta de freír bloqueada en la parte delantera del cuerpo de la freidora. Agarre fuerte el mango de la cesta de freír para abrirla; quite la cesta de freír de la máquina y coloque en un área de trabajo plana y limpia.
2. Retire todo el material de embalaje y las etiquetas desde el interior y fuera de la freidora de aire. Compruebe que no hay embalaje debajo o alrededor de la cesta de freír.
3. Lave la cesta de freír y bandeja para dorar en el agua caliente y jabonosa.
4. **NO SUMERJA EL CUERPO DE LA FREIDORA EN AGUA.** Limpie el cuerpo de la freidora con un trapo húmedo. Seque bien todas las partes.
5. Alinee las muescas en la bandeja con los bultos en la pared de la cesta. Gire hasta que la bandeja se caiga. Bloquee la bandeja en su lugar en la base de la cesta, girando la bandeja en sentido horario o antihorario hasta que las muescas y los bultos en la pared de la cesta no estén alineados. (Véase figura 2). Coloque y bloquee la cesta de freír limpiada en la parte delantera de la freidora de aire.

Figura 2



Instrucciones de funcionamiento

¡ADVERTENCIA! Esta unidad no debe utilizarse para hervir agua u aceite.

NOTA: Durante el primer uso, la freidora de aire puede emitir un ligero olor. Esto es normal y no afectará la comida cocida.

1. Coloque la freidora de aire en un área de trabajo plana y resistente al calor, cerca de un tomacorriente.
2. Agarre firmemente el mango de la cesta de freír para abrir la cesta; Luego quítela de la máquina y colóquela en una superficie plana y limpia.
3. Coloque la bandeja para dorar en la base de la cesta de freír.
4. Coloque los alimentos en la bandeja para dorar. No llene demasiado la cesta de freír con alimentos. Para asegurar una cocción y circulación de aire adecuadas, NUNCA llene la cesta de freír más de 2/3. Al freír las verduras frescas con aire, no recomendamos agregar más de 1-1/2 tazas de comida a la cesta de freír.
5. Coloque bien la cesta de freír en la parte delantera de la freidora de aire.
6. Enchufe el cable en la toma de corriente.
7. Seleccione la temperatura de freír de 175°F a 400°F.
8. Gire el dial del temporizador al tiempo de freír deseado y 3 minutos más para precalentar si la freidora de aire está fría. La luz anaranjada de CALENTAR (HEAT ON) se iluminará; la freidora comenzará a calentar.

IMPORTANTE: La freidora de aire no calentará si no se ha ajustado el dial del temporizador o si la cesta de freír no está bien cerrada.

9. La luz anaranjada de CALENTAR (HEAT ON) se apagará cuando se alcance la temperatura establecida.

NOTA: Durante el freír con aire, la luz de CALENTAR (HEAT ON) azul se encenderá y apagará una vez que se mantenga la temperatura adecuada de freír.

10. Para asegurar una cocción/dorado uniforme, abra la cesta a la mitad del tiempo de freír y chequee, gire o agite los alimentos en la cesta de freír. Ajuste la temperatura si es necesario. El temporizador seguirá la cuenta regresiva cuando se abra la cesta, pero la freidora dejará de calentar hasta que la cesta sea reemplazada.

ADVERTENCIA: Hay que tener la precaución extrema al manipular la cesta de freír caliente y la bandeja para dorar. Evite escapar el vapor de la cesta de freír y la comida caliente.

PRECAUCIÓN: Siempre use guantes de horno cuando manipule la cesta de freír caliente.

CAUTION: El aceite caliente puede acumularse en la base de la cesta. Para evitar riesgos de quemaduras o lesiones personales, o para evitar que el aceite contamine los alimentos fritos, use siempre una pinza o una cuchara de madera larga para quitar los alimentos de la cesta de freír. NUNCA voltee la cesta boca abajo que contenga los alimentos fritos con aire.

NOTA: La freidora de aire puede ser APAGADO en cualquier momento al girar el dial del temporizador a 0.

11. Se escuchará un pitido cuando el tiempo de freír establecido haya expirado. La freidora de aire se APAGARÁ automáticamente. La luz anaranjada de CALENTAR (HEAT ON) se apagará.
12. Agite fuerte la cesta de freír y compruebe que los alimentos no estén dorados y estén cocidos. Si es necesario de freír más con el aire, ajuste la temperatura, si lo desea, y configure el temporizador durante intervalos de 3 minutos hasta que esté completamente cocido
13. Permita que los alimentos cocinados descansen de 5 a 10 segundos antes de sacar la cesta de freír o la comida de la cesta de freír.
14. Cuando termine de freír, quite la cesta de la máquina y colóquela en una superficie plana y resistente al calor.
15. Use pinzas o un tenedor largo para sacar los alimentos fritos con aire en un plato de servir. Sustituya rápidamente la cesta de freír en la parte delantera de la freidora de aire. Siga freír las tandas siguientes, si tiene.
16. Cuando se complete toda la fritura con aire, gire tanto el dial de control de temperatura a OFF (APAGADO). La luz de CALENTAR (HEAT ON) se apagará.
17. Desenchufe la freidora de aire cuando no esté en uso..

Consejos útiles

1. Aceite de oliva en aerosol o aceite vegetal es bien para freír con aire.
2. ¡Utilice su freidora de aire para cocinar alimentos preenvasados con una fracción del aceite, en una fracción del tiempo! Como regla general, baje la temperatura de cocción de la receta en 20°F, hasta que 50°F y reduzca el tiempo de cocción entre 30% a 50% dependiendo del alimento y la cantidad.
3. No llene demasiado la cesta de freír con los alimentos. NUNCA llene ninguna cesta de fritura más de 2/3. ¡Freír las verduras frescas, no recomendamos agregar más de 1-1/2 tazas de comida a la cesta de freír.
4. **Para obtener mejores resultados**, algunos alimentos deben ser agitados vigorosamente o devueltos durante el tiempo de freír. Consulte la tabla de freír de aire como un guía general.
5. Para evitar el exceso de humo, al cocinar alimentos naturalmente ricos en grasa, como alitas de pollo o salchichas, puede ser necesario vaciar la grasa de la cesta de freír entre las tandas.
6. Siempre seque la comida antes de cocinar para estimular el dorado y evitar el exceso de humo.
7. Fríe con aire tandas pequeñas de alimentos recién empanados. Presione el pan sobre los alimentos para ayudarlo a adherirse. Coloque en la cesta de freír para que los alimentos no se toquen para permitir el flujo de aire en todas las superficies
8. **La freidora de aire es perfecta para recalentar los alimentos. Ajuste la temperatura a 300°F por 10 minutos.**

Tabla para freír con aire

¡ADVERTENCIA! UTILICE SIEMPRE UN TERMÓMETRO DE CARNE PARA ASEGURAR QUE LAS CARNES Y LOS PESCADOS SON BIEN COCIDOS ANTES DE COMER. La tabla siguiente tiene el propósito de ser utilizado solamente como una guía. The quantity of food air fried at one time, the thickness or density of the food, and whether the food is fresh, thawed, or frozen may alter the total cooking time necessary. La cantidad de alimento que **está** freída con el aire, el espesor o densidad del alimento y si el alimento es fresco, descongelado o congelado puede alterar el tiempo de cocción necesario.

1. Para asegurar la cocción/dorado uniforme, abra la cesta de freír hasta la mitad del tiempo de cocción. Compruebe, dé vuelta o agite fuerte los alimentos en la cesta de freír. Esta tabla indica el promedio de tiempos para freír con aire, el momento en que se requiere alguna tarea y la tarea que se debe hacer para obtener los mejores resultados
2. Recuerde que freír en tandas más pequeñas resultará en tiempos de cocción más cortos y una mayor calidad de los alimentos. Ajuste las temperaturas y tiempos de freír como sea necesario para adaptarse a su gusto.

NOTA IMPORTANTE: menos que los alimentos estén preenvasados y pre-engrasados, para obtener resultados dorados y crujientes, todos los alimentos deben ser ligeramente aceitados antes de freír con aire.

- El aceite puede rociar o aplicar sobre los alimentos.
- Los aceites aerosoles funcionan bien, ya que el aceite es distribuido uniformemente y se necesita cantidades menores de aceite.
- Para asegurar resultados crujientes, asegúrese de que los alimentos estén secados antes de agregar aceite.
- Corte piezas más pequeñas para permitir más superficie para obtener resultados más crujientes.
- Blanquear es un término que refiere a pre-cocinar los alimentos a una temperatura más baja antes de freírlos.
- Añada 3 minutos al TIEMPO DE FREÍR CON AIRE para permitir que la freidora se precaliente.

ALIMENTOS	TEMP	TIEMPOS DE FREÍR CON AIRE *	TIEMPO	TAREA
Verduras mezcladas (asadas)	400°F	15 - 20 minutos	8 minutos	agitar
Brócoli (asado)	400°F	15 - 20 minutos	8 minutos	agitar
Aros de cebolla fritos (congelados)	400°F	12 - 18 minutos	8 minutos	agitar
Tequeños (congelados)	350°F	8 - 12 minutos	—	—
Batatas fritas (frescas, cortadas a mano, 1/8 a 1/16-pulg. de espesor)				
Blanquear (Etapa 1)	325°F	15 minutos	8 minutos	agitar
Freír con aire (Etapa 2)	350°F	5 minutos	3 minutos	agitar
Papas fritas, (frescas, cortadas a mano, 1/4 a 1/3-pulg. de espesor)				
Blanquear (Etapa 1)	325°F	15 minutos	8 minutos	agitar
Freír con aire (Etapa 2)	350°F	10 - 15 minutos	5 minutos	agitar
Papas fritas, finas (congeladas, 1.5 tazas)	400°F	12 - 16 minutos	8 minutos	—
Papas fritas, gruesas (congeladas, 1.5 tazas)	400°F	17 - 21 minutos	10 minutos	agitar
Rollo de carne, 1 lb.	350°F	35 - 40 minutos	—	—
Hamburguesas, 1/4 lb. (hasta 2 a la vez)	350°F	10 - 14 minutos	(poco a bien hecho)	
Hot Dogs /Salchichas	350°F	10 - 15 minutos	6 minutos	dar la vuelta
Alitas de pollo (frescas/descongeladas)				
Blanquear (Etapa 1)	325°F	15 minutos	8 minutos	agitar
Freír con aire (Etapa 2)	350°F	9 - 12 minutos	5 minutos	agitar
Palitos de pollo				
Blanquear (Etapa 1)	350°F	10 minutos	5 minutos	dar la vuelta
Freír con aire (Etapa 2)	400°F	5 minutos	3 minutos	agitar
Pollo	350°F	20 - 30 minutos	10 minutos	agitar
Nuggets de pollo (congelados)	350°F	10 - 15 minutos	5 minutos	agitar
Palitos de bagre (descongelados, rebozados)	400°F	7 - 8 minutos	3 minutos	dar la vuelta
Palitos de pescado (congelados)	400°F	10 - 15 minutos	5 minutos	dar la vuelta
Tartas de manzana	400°F	5 minutos	—	—
Donuts	350°F	5 minutos	3 minutos	dar la vuelta
Galletas fritas	350°F	8 minutos	4 minutos	dar la vuelta

* Agregue 3 minutos más al TIEMPO DE FREÍR CON AIRE para permitir que la freidora de aire se precaliente.

TENGA EN CUENTA:

El USDA recomienda que las carnes como la carne de res y el cordero, etc., se cocinen a una temperatura interna de 145°F / 63°C. El cerdo debe cocinarse a una temperatura interna de 160°F / 71°C y las carnes de ave deben ser cocinadas a una temperatura interna de 170°F/77°C - 175°F/82°C para asegurarse de que cualquier bacteria dañina ha sido matada. En el recalentamiento de carnes/carnes de ave, también deben cocinarse a una temperatura interna de 165°F/74°C.

Instrucciones de mantenimiento

Este aparato requiere poco mantenimiento. No contiene piezas que el usuario pueda reparar. Cualquier servicio que requiera el desmontaje que no sea la limpieza debe ser realizada por un técnico calificado.

Instrucciones de cuidado y limpieza

¡ADVERTENCIA! Deje que la freidora se enfríe completamente antes de limpiar.

1. Desenchufe la freidora de aire. Quite la cesta de freír. Asegúrese de que la cesta de freír y la bandeja para dorar se hayan enfriado completamente antes de limpiar.
2. Lave la cesta de freír y la bandeja para dorar en agua jabonosa y caliente. No utilice utensilios de cocina metálicos ni limpiadores o productos de limpieza abrasivos, ya que esto podría dañar la capa **¡IMPORTANTE:** Después de limpiar, se asegure siempre de que las 4 puntas de goma estén bien sujetas a las 4 ranuras en la bandeja para dorar. antiadherente
3. La cesta de freír y la bandeja para dorar son aptas con lavaplatos. Para obtener los mejores resultados, colóquelas en el estante superior de su lavaplatos para limpiar.

Instrucciones de almacenamiento

1. Asegúrese de que la freidora este desenchufada y todas las piezas estén limpias y secas antes de guardarlas.
2. Nunca almacene la freidora de aire mientras que esté caliente o mojada.
3. Almacene la freidora de aire en su caja o en un lugar limpio y seco.

Recetas

Batatas fritas de aire

Sirve 1 a 2

- 1 gran batata
 - 2 cucharaditas de aceite vegetal
 - Azúcar de canela o azúcar morena, opcional
1. Lave la batata y la piel si se desea.
 2. Si está disponible, utilice un rebanador para cortar las papas fritas delgadas e en partes iguales.
 3. Para cortar a mano, corte la batata por la mitad por primero y con el lado plano en la tabla de cortar, corte a mano en pedazos muy finos.
 4. Coloque el aceite vegetal en un tazón grande. Agregue las batatas crudas y use sus manos para mezclar bien, asegurándose de que cada pedazo esté engrasado en todos los lados.
 5. Transfiera los chips engrasados a la cesta de freír
 6. Ajuste la freidora de aire a 325°F y fría durante 15 minutos. Agite vigorosamente la cesta de freír a mitad de tiempo de freír.
 7. Aumente el calor a 350 °F y fría por 5 minutos. Agite vigorosamente la cesta de freír a mitad de tiempo de freír.
 8. Saque todo de la freidora. Espolvoree las batatas calientes con azúcar de canela o azúcar negra para un dulce especial

Frituras de pescado y patatas fritas

Nuggets de bagre fritos

Se cocina 12 nuggets

Sirve 3 a 4

Trate a su familia a una cena deliciosa de pescado y papas fritas. Estos nuggets dulces y jugosos de bagre son crujientes y el par fabulosamente con las patatas fritas cortadas a mano (la receta sigue). ¡Sirve con repollo fresco y la comida está completa!

- 1 filete de bagre pequeño, o a 1/3 a 1/2 lb.
 - 1 huevo + 1 clara de huevo
 - de un filete de bagre grande
 - 3/4 tazas de migas de pan Panko sazonadas
 - 1/8 taza de harina
 - Aerosol de aceite de oliva
 - 1 cucharada de comedimiento Old Bay®
1. Corte el bagre en 10-12 nuggets de aproximadamente 1 pulgada por 2.5 pulgadas de largo.
 2. Sazone cada pieza de pescado, arriba y abajo, con el condimento de Old Bay®.
 3. Prepare su estación de empanado de 3 tazones:
 - Harina
 - Bata el huevo y la clara de huevo hasta que estén bien mezclados
 - Migas de pan Panko
 4. Coloque cada pieza de bagre en la harina. Aplane suavemente con las manos para eliminar cualquier harina exceso.
 5. Coloque ambos lados en el huevo.
 6. Meta y presione y cubra ambos lados con migas de pan panko
 7. Añada 4 a 6 piezas a la cesta de freír. Permita a la circulación de aire en todos los lados de cada pedazo del pescado para el mejor bronceado.
 8. Rocíe con aceite de oliva. (Opcional)
 9. Ajuste la freidora de aire a 400 °F y fría durante 7 a 8 minutos. Gire el pescado a los 3 minutos.
 10. Repita con los otros pedazos de bagre.

Recetas

Papas fritas (Papas fritas frescas cortado a mano)

Sirve 1 a 2

- 1 papas rojizas
- Cucharaditas de aceite vegetal
- Sal kosher, al gusto

Poner a la salmuera

- 6 a 8 tazas de agua
- 4 cucharadas de sal

1. **Corte las papas en pedazos de 1/4 x 1/4 pulgadas. Una papa mediana producirá 2 tazas de papas cortadas. Lo mejor es freír en 2 tandas.**
2. **Remoje las papas en salmuera durante 1 hora o por una noche.**
3. **Séquelas en un trapo de cocina limpiado.**
4. **Añada 2 cucharaditas de aceite vegetal en un bol grande. Añada las papas y con las manos, mezcle todo bien para asegurar que las papas son bien engrasadas..**
5. **Traslade las papas engrasadas en la cesta para freír.**
6. **Ajuste la freidora a 325°F y fríalas por 15 minutos. Agite fuerte la cesta de freír a la mitad de la hora de freír sugerida.**
7. **Aumente la temperatura a 350 ° F y fríalas por 10 minutos. Agite fuerte la cesta de freír a la mitad de la hora de freír sugerida.**
8. **Saque las papas de la freidora y añada sal kosher u el condimento de su preferencia, al gusto.**
9. **Repita esta receta con las papas restantes.**

Información Nutricional

- Raciones por ½ de la receta
- Calorías 170
- Grasas 2.5g
- Colesterol 0mg
- Sodio 470mg
- Carbohidratos 32g
- Fibra Dietética 3g
- Azúcares 2g
- Proteínas 4g

Comparaciones de nutrición:

- **Estas papas fritas contienen 88% menos de grasa que las papas normales de comida rápida. (Según el promedio de los datos de 4 restaurantes)**
- **Estas papas fritas contienen 65% menos de calorías que las papas normales de comida rápida. (Según el promedio de los datos de 4 restaurantes)**

Notas sobre nutrición:

El valor de sodio es solo una estimación. Se varía dependiendo de cuánto tiempo dejen las papas en la salmuera y la cantidad de salmuera absorbida en las papas. Este análisis estima una absorción de salmuera del 10% del peso de las papas crudas.

Recetas

Huevos duros

- 6 huevos

Coloque los huevos en la freidora a 260°F por 13 minutos.

Cuando los huevos estén lo suficiente fríos para manipular, ¡serán cocidos a la perfección!

Pimientos rellenos

- 1 chile poblano, se puede reemplazar con 1-2 jalapeños, o 1 Cubanelle
 - 8 pimientos
 - 1/4 taza de queso para untar de vegetales
 - 1/4 taza de queso parmesano rallado o cortado en tiras
 - 2 cucharadas de leche
 - 1 punado de verduras
 - 1 cucharadita de aderezo de zaatar
 - 1 cucharadita de sal Kosher
1. **Ase el chile poblano, o cualquier pimiento (s) fresco (s) de su elección. Rocíe ligeramente con aceite. Coloque en la freidora de aire y cocine a 370 °F durante 13 minutos. De vuelta el(s) pimiento(s) a mitad de la cocción.**
 2. **Cuando se hayan enfriado, quite la(s) parte(s) superior(s), la piel y corte para raspar las semillas. Pique los pimientos cocidos en pedazos pequeños.**
 3. **Prepare los pimientos quitando las partes superiores, saque las partes internas quitando las semillas. Dejar a un lado.**
 4. **Coloque todos los ingredientes del relleno en un tazón grande. Mezclar bien.**
 5. **Rellene cada pimiento con la mezcla. Arregle en la cesta de freír.**
 6. **Rocíe con aceite de oliva. *opcional**
 7. **Ajuste la freidora a 370°F y cocine durante 8 a 10 minutos. De vuelta los pimientos rellenos a mitad de la cocción.**
 8. **Sírvelos a temperatura ambiente.**

Papas de Hasselback

- 1 o 2 papas, rojas o blancas
 - Aceite de oliva, como sea necesario
 - Sal Kosher o sal de mar
 - Queso rallado, a su gusto
 - Pedazos de tocino
1. **Lave bien las papas. Estas papas de Hasselback son deliciosas ya sea con o sin la piel según sus preferencias.**
 2. **Prepara las Hasselbacks. Corte a 1/4 de pulgada de distancia y 1/4 de pulgada de la parte inferior de las papas.**
 3. **Cepille las papas con aceite de oliva.**
 4. **Ajuste la freidora de aire a 370°F y cocine durante 30 minutos.**
 5. **A la mitad de cocción, cepille las papas con aceite de oliva. Sigue cocinando hasta que las papas estén completamente cocidas.**
 6. **¡Son ricas llanas o sazonadas! Pruébelas con pedazos tocino y queso rallado, mantequilla derretida, crema agria, cebolleta, pesto, salsa o tapenade de oliva.**

Recetas

Pan de maíz familiar

- 1 (8 oz.) caja de un preparado de pan de maíz
- 1/2 (8 oz.) una lata de crema de maíz
- 1/2 taza de queso cheddar o Monterey Jack
- 1 huevo
- 1 cucharada de mantequilla salada, derretida
- 2 cucharadas de crema agria

¡IMPORTANTE! Quite la bandeja para dorar del cajón de la cesta de freír

1. Bate un huevo en un tazón mediano. Agregue el preparado de pan de maíz y todos los ingredientes al tazón y mezcle bien.
2. Hornee a 400°F durante 10 a 20 minutos o hasta que estén dorados o el palillo sale limpio.

Filetes de pollo crujientes y jugosos

- 2 claras de huevo
 - 1/4 taza de agua
 - 3/4 taza de migas de pan panko sazonadas
 - 4 filetes de pollo (1 1/4 lb)
 - Aerosol de aceite de oliva (opcional)
1. Bata ligeramente las claras de huevo y el agua en un bol pequeño. Coloque las migas de pan sobre un plato. Mete 1 filete de pollo en las claras de huevo; coloque en migas de pan presionando para cubrir ambos lados. Repita con los filetes restantes.
 2. Ponga los filetes de pollo empanados en la cesta para freír, dejando espacio entre ellos para permitir la circulación de aire y el dorado. Rocíe con aceite de oliva (si sea necesario).
 3. Ajuste la freidora a 350 °F; freía durante 12 minutos volteando los filetes de pollo a la mitad del tiempo de cocción. Aumente la temperatura a 400°F; freía durante 6 minutos, volteando los filetes de pollo a la mitad del tiempo de cocción. Repita con los filetes restantes.

Consejo: Use los filetes de pollo enteros o córtelos en pedazos si lo desea.

Datos de Nutrición

- (2 filetes)
- Calorías 200
- Grasas 3g
- Colesterol 80mg
- Sodio 100mg
- Carbohidratos 8g
- Fibra Dietética 0g
- Azúcares 0g
- Proteínas 34g

Comparaciones de nutrición:

- Estos filetes de pollo contienen 89% menos de grasa que los filetes de pollo normales de comida rápida. (Según el promedio de los datos de 2 restaurantes)
- Estos filetes de pollo contienen 57% menos de calorías que los filetes de pollo normales de comida rápida. (Según el promedio de los datos de 2 restaurantes)

Recetas

Tartas de manzana con llovizna de vainilla

Se cocina 8 tartitas

- 2 (5-plg. x 5-plg.) hojas de masas preparadas, descongeladas
- 1/2 taza de relleno de pastel de manzana
- 3 cucharaditas de pasas doradas (opcional)

Llovizna de vainilla*

- 1/2 taza de azúcar de confitería
- 1 cucharada de leche
- 1/4 cucharadita de extracto de vainilla

Llovizna de chocolate

- 1/2 taza de azúcar de confitería
- 2 cucharadas de cacao en polvo (sin azúcar)
- 1 cucharada de leche
- 1/4 cucharadita de extracto de vainilla

1. **Prepare los glaseados para salpicar las tartas. Combine los ingredientes en un tazón pequeño y mezcle bien.**
** Puede sustituir el extracto de caramelo, arce, almendra, limón o naranja.*
2. **Despliegue la hoja de masa descongelada sobre una superficie ligeramente enharinada.**
3. **Cuchara 1 cucharada de relleno en el centro de cada cuadrado.**
4. **Doble la masa sobre el relleno para formar un triángulo. Pellizque los bordes con un tenedor para sellar.**
5. **Coloque 4 tartitas grandes en la cesta de freír.**
6. **Ajuste la freidora de aire a 400°F y fría durante 5 minutos.**
7. **Saque las tartas de la cesta de freír. Deje enfriarse.**
8. **Repita con las 4 tartas que quedan.**
9. **Utilice una cuchara pequeña para salpicar la vainilla en un patrón de zigzag sobre las tapas.**
** Puede sustituir con cualquier sabor de relleno de pastel preparado.*

Variación: Tartas de cereza con llovizna de chocolate

1. **Siga la receta de tartas anterior. Utilice relleno de pastel de cereza.**
2. **Salpique con la llovizna de chocolate.**
3. **Sirve las tartas con su helado preferido.**



Garantía limitada de DOS AÑOS

Mediante la presente, SENSIO Inc. garantiza que, durante el plazo de **DOS AÑOS** a partir de la fecha de compra, este producto no presentará defectos mecánicos en el material ni en la mano de obra, y durante 90 días, no los presentará en las piezas no mecánicas. A su entera discreción, SENSIO Inc. reparará o reemplazará el producto que resulte defectuoso, o emitirá un reembolso por el producto durante el plazo de garantía.

Esta garantía es válida únicamente para el comprador minorista original a partir de la fecha de compra minorista inicial y no es transferible. Conserve el recibo de compra original, ya que se exige una prueba de compra para obtener la validación de la garantía. Las tiendas minoristas no tienen derecho a alterar, modificar ni corregir de ninguna manera los términos y condiciones de la garantía.

EXCLUSIONES:

La garantía no cubre el desgaste normal de las piezas ni el daño ocasionado por cualquiera de las siguientes causas: uso negligente del producto, uso de un voltaje o corriente incorrectos, mantenimiento de rutina inadecuado, uso contrario al de las instrucciones de funcionamiento, desarmado, reparación o alteración a cargo de personas que no sean miembros del personal calificado de SENSIO Inc. Asimismo, la garantía no cubre actos de la naturaleza, como incendios, inundaciones, huracanes o tornados.

SENSIO Inc. no asumirá responsabilidad por daños incidentales o resultantes ocasionados por la violación de cualquier garantía expresa o implícita. Salvo en la medida en que lo prohíban las leyes aplicables, cualquier garantía implícita de comerciabilidad o aptitud para un propósito particular se limita temporalmente a la duración de la garantía. Algunos estados, provincias o jurisdicciones no permiten la exclusión ni la limitación de daños incidentales o resultantes, o limitaciones sobre la duración de una garantía implícita y, por lo tanto, es posible que las exclusiones o limitaciones mencionadas no le correspondan. La garantía cubre derechos legales específicos que pueden variar de un estado, una provincia o una jurisdicción a otros.

CÓMO OBTENER EL SERVICIO DE GARANTÍA:

Debe comunicarse con el Servicio de atención al cliente a nuestro número telefónico gratuito: 1-866-832-4843. Un representante del Servicio de atención al cliente intentará resolver los problemas referidos a la garantía por teléfono. Si este no puede resolver el problema, le proporcionarán un número de caso y le solicitarán que devuelva el producto a SENSIO Inc. Adhiera una etiqueta al producto que incluya: su nombre, dirección, número telefónico de contacto durante el día, número de caso y descripción del problema. Además, incluya una copia del recibo de compra original. Envuelva cuidadosamente el producto etiquetado con el recibo de compra, y envíelo (con el envío y el seguro prepagados) a la dirección de SENSIO Inc. SENSIO Inc. no asumirá obligación ni responsabilidad alguna por el producto devuelto que esté en el trayecto hacia el Centro de servicio al cliente de SENSIO Inc.



GRACIAS

para su compra

**REGISTRARSE
Y FIRMAR**



para arriba para anuncios especiales y los ingresos de la moda!

**¡CUÉNTANOS LO
QUE PIENSAS!**



Evaluar, revisar o hacernos una pregunta.

VISITE: bellahousewares.com

#myBELLAlife



BellaLifestyle



BellaLife



BellaLife



BellaLifestyle



bellahousewares.com

For customer service questions or comments

Dudas o comentarios contactar el departamento de servicio al cliente

1-866-832-4843 / help@bellahousewares.com