

# DAILY REFERENCE GUIDE



**THANK YOU FOR BUYING A WHIRLPOOL PRODUCT.**  
In order to receive a more complete assistance, please register your appliance on: [www.whirlpool.eu/register](http://www.whirlpool.eu/register)



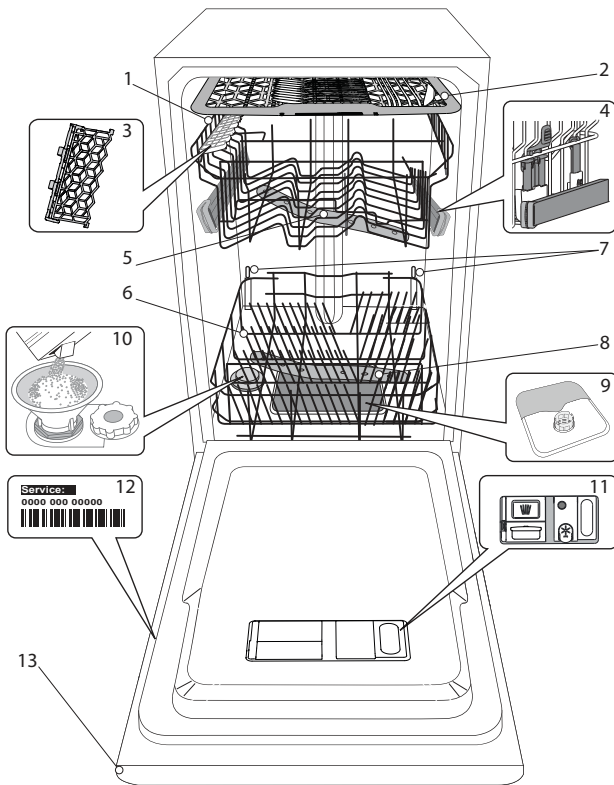
Before using the appliance carefully read Safety Instructions guide.

**PLEASE SCAN THE QR CODE ON YOUR APPLIANCE IN ORDER TO HAVE MORE DETAILED INFORMATION**



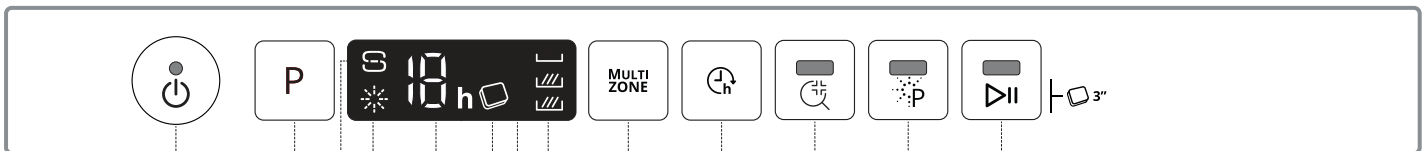
## PRODUCT DESCRIPTION

### APPLIANCE



1. Upper rack
2. Cutlery rack
3. Foldable flaps
4. Upper rack height adjuster
5. Upper spray arm
6. Lower rack
7. Power Clean® support
8. Lower spray arm
9. Filter Assembly
10. Salt reservoir
11. Detergent and Rinse Aid dispensers
12. Rating plate
13. Control panel

### CONTROL PANEL



1. ON-OFF/Reset button with indicator light
2. Program selection button
3. Salt refill indicator light
4. Rinse Aid refill indicator light
5. Program number and delay time indicator
6. Tablet indicator light
7. Display
8. Multizone indicator lights
9. Multizone button
10. Delay button
11. Sani Rinse button with indicator light
12. Power Clean® button with indicator light
13. START/Pause button with indicator light / Tablet (Tab)

# FIRST TIME USE

## SALT, RINSE AID AND DETERGENT


### ADVICE REGARDING THE FIRST TIME USE

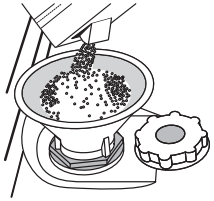
After installation, remove the stoppers from the racks and the retaining elastic elements from the upper rack.

### FILLING THE SALT RESERVOIR

The use of salt prevents the formation of LIMESCALE on the dishes and on the machine's functional components.

- It is mandatory that **THE SALT RESERVOIR NEVER BE EMPTY.**
- It is important to set the water hardness.

The salt reservoir is located in the lower part of the dishwasher (see *PRODUCT DESCRIPTION*) and must be filled when the **SALT REFILL indicator light**  in the control panel is lit.



1. Remove the lower rack and unscrew the reservoir cap (anticlockwise).
2. **Only the first time you do this: fill the salt reservoir with water.**
3. Position the funnel (see figure) and fill the salt reservoir right up to its edge (approximately 1 kg); it is not unusual for a little water to leak out.
4. Remove the funnel and wipe any salt residue away from the opening.

Make sure the cap is screwed on tightly, so that no detergent can get into the container during the wash program (this could damage the water softener beyond repair).

**Whenever you need to add salt, it is mandatory to complete the procedure before the beginning of the washing cycle to avoid corrosion.**

### SETTING THE WATER HARDNESS

To allow the water softener to work in a perfect way, it is essential that the water hardness setting is based on the actual water hardness in your house. This information can be obtained from your local water supplier.

The factory sets the default value for the water hardness.

- Switch on the appliance by pressing the **ON/OFF** button.
- Switch off the appliance by pressing the **ON/OFF** button.
- Hold down button **P** for 5 seconds, until you hear a beep.
- Switch on the appliance by pressing the **ON/OFF** button.
- The current selection level number and the salt indicator light both flash.
- Press button **P** to select the desired hardness level (see *WATER HARDNESS TABLE*).

Water Hardness Table				
Level		°dH German degrees	°fH French degrees	°Clark English degrees
1	Soft	0 - 6	0 - 10	0 - 7
2	Medium	7 - 11	11 - 20	8 - 14
3	Average	12 - 16	21 - 29	15 - 20
4	Hard	17 - 34	30 - 60	21 - 42
5	Very hard	35 - 50	61 - 90	43 - 62

- Switch off the appliance by pressing the **ON/OFF** button.

Setting is complete!

As soon as this procedure is complete, run a program without loading.


**Only use salt that has been specifically designed for dishwashers.**

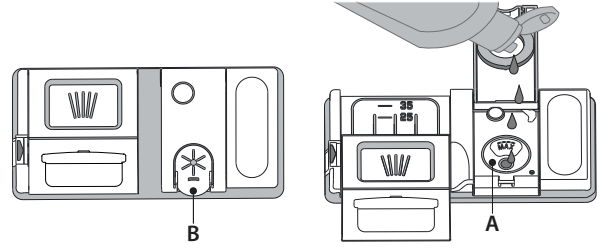
After the salt has been poured into the machine, the SALT REFILL indicator light switches off.

**If the salt container is not filled, the water softener and the heating element may be damaged as a result of limescale accumulation.**

**Using of Salt is recommended with any type of dishwasher detergent.**

### FILLING THE RINSE AID DISPENSER

Rinse aid makes dish DRYING easier. The rinse aid dispenser **A** should be filled when the **RINSE AID REFILL indicator light**  in the control panel is lit.



1. Open the dispenser **B** by pressing and pulling up the tab on the lid.
  2. Pour in the rinse aid (max.110 ml), making sure it does not overflow from the dispenser. If this happens, clean the spill immediately with a dry cloth.
  3. Press the lid down until you hear a click to close it.
- NEVER pour the rinse aid directly into the appliance tub.**

### ADJUSTING THE DOSAGE OF RINSE AID

If you are not completely satisfied with the drying results, you can adjust the quantity of rinse aid used.

- Switch the dishwasher on using the **ON/OFF** button.
- Switch it off using the **ON/OFF** button.
- Press button **P** three times - a beep will be heard.
- Switch it on using the **ON/OFF** button.
- The current selection level number and rinse aid indicator light flash.
- Press button **P** to select the level of rinse aid quantity to be supplied.
- Switch it off using the **ON/OFF** button

Setting is complete!

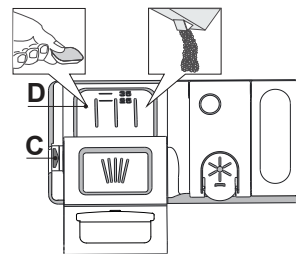
If the rinse aid level is set to ZERO (ECO), no rinse aid will be supplied. The LOW RINSE AID indicator light will not be lit if you run out of rinse aid.

A maximum of 5 levels can be set according to the dishwasher model. The factory setting is specific to the model, please follow instruction above to check this for your machine.

- If you see bluish streaks on the dishes, set a low number (1-2).
- If there are drops of water or limescale marks on the dishes, set a mid-range number (3-4).

### FILLING THE DETERGENT DISPENSER

**To open the detergent dispenser use the opening device C. Introduce the detergent into the dry dispenser D only. Place the amount of detergent for pre-washing directly inside the tub.**



1. When measuring out the detergent refer to the mentioned earlier information to add the proper quantity. Inside the dispenser **D** there are indications to help the detergent dosing.
2. Remove detergent residues from the edges of the dispenser and close the cover until it clicks.
3. Close the lid of the detergent dispenser by pulling it up until the closing device is secured in place.

The detergent dispenser automatically opens up at the right time according to the program.

If all-in-one detergents are used, we recommend using the **TABLET** button, because it adjusts the program so that the best washing and drying results are always achieved.

**Usage of detergent not designed for dishwashers may cause malfunction or damage to the appliance.**

# PROGRAMS TABLE

Program	Drying phase	NaturalDry	Available options <sup>*)</sup>	Duration of wash program (h:min) <sup>**)</sup>	Water consumption (litres/cycle)	Energy consumption (kWh/cycle)
1. Eco ECO 50°	✓	✓	MULTI ZONE	3:40	9.0	0.67
2. 6 <sup>th</sup> Sense® 6 <sup>th</sup> sense 50-60°	✓	✓	MULTI ZONE	1:20 - 3:00	7.0 - 14.0	0.70 - 1.10
3. Intensive 65°	✓	✓	MULTI ZONE	2:45	17.5	1.60
4. Fast Wash&Dry 50°	✓	✓	MULTI ZONE	1:25	11.5	1.10
5. Crystals 45°	✓	✓	MULTI ZONE	1:40	12.0	1.20
6. Rapid 30' 50°	-	✓	MULTI ZONE	0:30	9.0	0.50
7. Prewash -	-	-	MULTI ZONE	0:10	4.5	0.01
8. Self-Clean 65°	-	-		0:50	8.0	0.85

ECO program data is measured under laboratory conditions according to European Standard EN 60436:2020.

Note for Test Laboratories:

For information on comparative EN testing conditions, please send an email to the following address: [dw\\_test\\_support@europeanappliances.com](mailto:dw_test_support@europeanappliances.com)

Pre-treatment of the dishes is not needed before any of the programs.

\*) Not all options can be used simultaneously.

\*\*) Values given for programs other than the program Eco are indicative only. The actual time may vary depending on many factors such as temperature and pressure of the incoming water, room temperature, amount of detergent, quantity and type of load, load balancing, additional selected options and sensor calibration. The sensor calibration can increase program duration up to 20 min.

## PROGRAMS DESCRIPTION

### Instructions on wash cycle selection.

#### 1 ECO

Eco programme is suitable to clean normally soiled tableware, that for this use, it is the most efficient programme in terms of its combined energy and water consumption, and that it is used to assess compliance with the EU Ecodesign legislation.

#### 2 6<sup>th</sup> SENSE®

For normally soiled dishes with dried food residues. Senses the level of soiling on the dishes and adjusts the program accordingly. When the sensor is detecting the soil level an animation appears in the display and the cycle duration is updated.

#### 3 INTENSIVE

Program recommended for heavily soiled crockery, especially suitable for pans and saucepans (not to be used for delicate items).

#### 4 FAST WASH&DRY

Normally soiled crockery. Everyday cycle, that ensures optimal cleaning and drying performance in shorter time.

#### 5 CRYSTALS

Program for delicate items, which are more sensitive to high temperatures, for example glasses and cups.

#### 6 RAPID 30'

Program to be used for half load of lightly-soiled dishes with no dried food residues. Does not include drying phase.

#### 7 PREWASH

Use to refresh crockery planned to be washed later. No detergent to be used with this program.

#### 8 SELF-CLEAN

Program to be used to perform maintenance of the dishwasher, to be carried out only when the dishwasher is EMPTY using specific detergents designed for dishwasher maintenance.

#### Notes:

Please note that cycle *Rapid 30'* is dedicated for lightly soiled dishes.

# OPTIONS AND FUNCTIONS

OPTIONS can be selected directly by pressing the corresponding button (see CONTROL PANEL).

**If an option is not compatible with the selected program see PROGRAMS TABLE, the corresponding LED flashes rapidly 3 times and beeps will sound. The option will not be enabled.**

## MULTI ZONE MULTIZONE

If there are not many dishes to be washed, a half loading may be used in order to save water, electricity and detergent. Select the program and then press the MULTIZONE button: the symbol of the chosen rack will appear on the display. By default the appliance washes dishes in all racks.



To wash only the specific rack, press this button repeatedly: shown on the display (only lower rack)



shown on the display (only upper rack)



shown on the display (only cutlery rack)



shown on the display (option is OFF and the appliance will wash dishes in all racks).

**Remember to load the upper or lower rack only, and to reduce the amount of detergent accordingly.**

**If upper rack is removed, please apply detergent directly to tub instead of detergent dispenser.**

## DELAY

The start time of the program may be delayed for a period of time between **1** and **12** hours.

1. Press the DELAY button: the corresponding «h» symbol appears on the display; each time you press the button, the time (1h, 2h, etc. up to max. 12h) from the start of the selected wash cycle will be increased.
2. Select the wash program, press the START/PAUSE button and within 4 seconds close the door: the timer will begin counting down.
3. Once this time has elapsed, the indicator light «h» switches off and the wash cycle begins.

To adjust the delay time and select a shorter period of time, press the DELAY button. To cancel it, press the button repeatedly until the selected delayed start indicator light «h» switches off.

**The DELAY function cannot be set once a wash cycle has been started.**

## SANI RINSE

This option can be used to sanitize washed dishes. It will increase final rinse temperature and add antibacterial wash to the selected program.

Select the washing program, press the SANI RINSE button; the indicator light will light up. To deselect the option, press the same button again. Ideal to clean crockery and feeding bottles. The dishwasher door must be kept shut for the entire duration of the program in order to guarantee reduction of germs. If the door is opened the indicator lamp starts flashing.

**WARNING: the crockery and plates could be extremely hot at the end of the cycle.**



## POWER CLEAN®

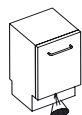
Thanks to the additional power jets this option provides a more intensive and powerful wash in the lower rack, in the specific area. This option is recommended for washing pots and casseroles. Press this button to activate POWER CLEAN (the indicator lights up).



## TABLET (Tab)

This setting allows you to optimize the performance of the program according to the type of detergent used. Press the START/PAUSE button for 3 seconds (the corresponding symbol will light up) if you use combined detergents in tablet form (rinse aid, salt and detergent in 1 dose).

**If you use powder or liquid detergent, this option should be off.**



## OPERATION INDICATOR

A LED light projected on the floor indicates that the dishwasher is working. One of the following operating modes can be selected:

- a) Disabled function.
- b) When the cycle starts the light goes on for few seconds, stays off during the cycle and flashes at the end of the cycle.
- c) The light stays on during the cycle and flashes at the end of the cycle (default mode).

If the delayed start was set, the light goes on either for the first few seconds or the entire duration of the countdown, based on whether mode b) or c) was set.

The light goes off every time the door is opened. To select the mode you prefer, switch on the machine, hold down button **P** until one of the three letters appears on the display, press button **P** until you reach the desired letter (or mode), hold down button **P** to confirm the selection.

**Note: If NaturalDry is active and it opens the door, then Operation Indicator will not flash at the end of cycle.**

## NaturalDry

NaturalDry is a convection drying system which automatically opens the door during/after drying phase to ensure exceptional drying performance every day. Door opens at the temperature that is safe to your kitchen furniture, thus door will not be opened when the option of SANI RINSE is on.

As additional steam protection, special designed protection foil is added together with the dishwasher. To see how to mount protection foil please refer to (INSTALLATION GUIDE).

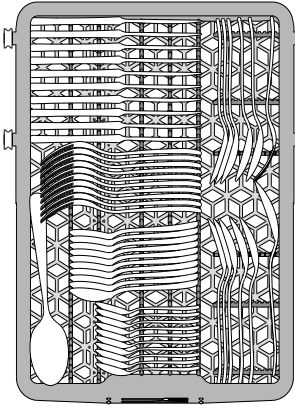
NaturalDry functionality could be disabled by the user as follows:

1. Go to the Dishwasher software menu pressing and holding **P** button (6 sec).
2. You are currently in Light Control Menu (please refer to OPERATION INDICATOR description), if you don't want to change anything please press and hold **P** button (until one of the two letters appears on the display).
3. You switched to NaturalDry Control Menu, you could change status of NaturalDry functionality by pressing **P** button:  
**E** – enabled      **d** – disabled

To confirm the change and exit from the Control Menu please press and hold **P** button (3 sec).

# LOADING THE RACKS

## CUTLERY RACK



The third rack was designed to house the cutlery. Arrange the cutlery as shown in the figure.

A separate arrangement of the cutlery makes collection easier after washing and improves washing and drying performance.

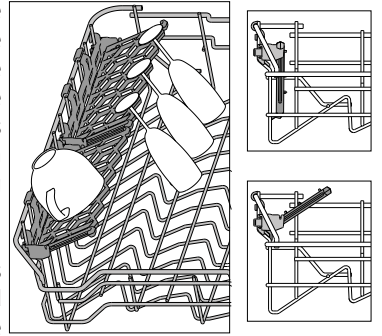
**Knives and other utensils with sharp edges must be positioned with the blades facing downwards.**

## FOLDABLE FLAPS WITH ADJUSTABLE POSITION

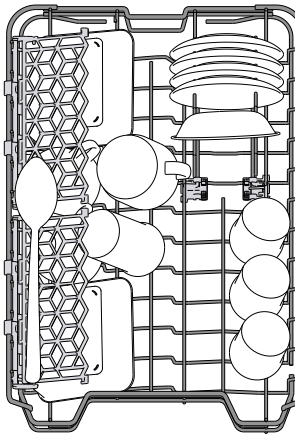
The side foldable flaps can be fold or unfold to optimize the arrangement of crockery inside the rack. Wine glasses can be placed safely in the foldable flaps by inserting the stem of each glass into the corresponding slots.

Depending on the model:

- to unfold the flaps there is needed to slide it up and rotate or release it from the snaps and pull it down.
- to fold the flaps there is needed to rotate it and slide flaps down or pull it up and attach flaps to the snaps.



## UPPER RACK



Load delicate and light dishes: glasses, cups, saucers, low salad bowls.

The upper rack has tip-up supports which can be used in a vertical position when arranging tea/ dessert saucers or in a lower position to load bowls and food containers.

*(loading example for the upper rack)*

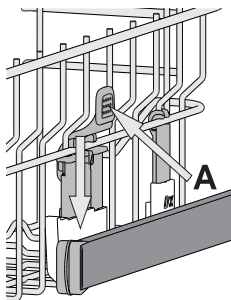
## ADJUSTING THE HEIGHT OF THE UPPER RACK

The height of the upper rack can be adjusted: high position to place bulky crockery in the lower basket and low position to make the most of the tip-up supports by creating more space upwards and avoid collision with the items loaded into lower rack.

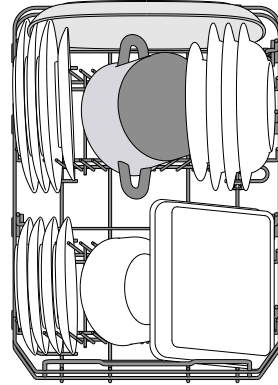
The upper rack is equipped with a **Upper Rack height adjuster** (see figure), without pressing the levers, lift it up by simply holding the rack sides, as soon as the rack is stable in its upper position. To restore to the lower position, press the levers **A** at the sides of the rack and move the basket downwards.

**We strongly recommend that you do not adjust the height of the rack when it is loaded.**

**NEVER raise or lower the basket on one side only.**



## LOWER RACK



*(loading example for the lower rack)*

For pots, lids, plates, salad bowls, cutlery etc. Large plates and lids should ideally be placed at the sides to avoid interferences with the spray arm.

The lower rack has tip-up supports which can be used in a vertical position when arranging plates or in a horizontal position (lower) to load pans and salad bowls easily.

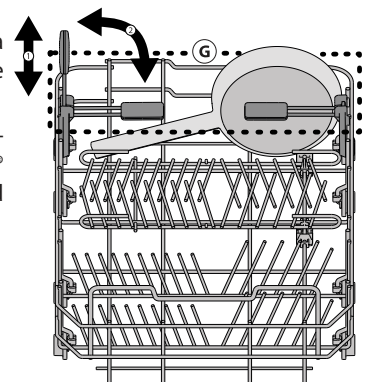
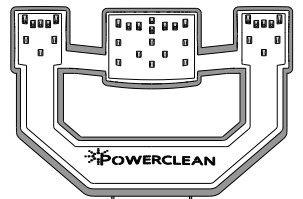
## POWER CLEAN®

Power Clean® uses the special water jets in the rear of cavity to wash more intensively the high dirty items. The lower rack has a **Power Clean support**, a special pull-out support in the rear of the rack that can be used to support frying pans or baking pans in upright position, thus taking up less space.

Placing the pots/casseroles faced to the Power Clean® component please activate the **POWER CLEAN®** on the panel.

How to use Power Clean®:

1. Adjust the Power Clean® area **G** folding down the rear plate holders to load pots.
2. Load pots and casseroles inclined vertically in Power Clean® area. Pots have to be inclined towards the power water jets.



# DAILY USE

## 1. CHECK WATER CONNECTION

Check that the dishwasher is connected to the water supply and that the tap is open.

## 2. SWITCH ON THE DISHWASHER

Open the door and press the **ON/OFF** button.

## 3. LOAD THE RACKS (see *LOADING THE RACKS*).

## 4. FILLING THE DETERGENT DISPENSER

## 5. CHOOSE THE PROGRAM AND CUSTOMISE THE CYCLE

Select the most appropriate program in accordance with the type of crockery and its soiling level (see *PROGRAMS DESCRIPTION*) by pressing the **P** button.

Select the desired options (see *OPTIONS AND FUNCTIONS*).

## 6. START

Start the wash cycle by pressing **START/Pause** button (led is lit) and closing the door within 4 sec. When the program starts you hear a single beep. If the door was not closed within 4sec., the alarm sound will be played. In this case, open the door, press **START/Pause** button and close the door again within 4 sec.

## 7. END OF WASH CYCLE

The end of the wash cycle is indicated by beeps and by the flashing of the wash cycle number on the display. Open the door and switch off the appliance by pressing the **ON/OFF** button.

Wait for a few minutes before removing the crockery - to avoid burns. Unload the racks, beginning with the lower one.

**The machine will switch off automatically during certain extended periods of inactivity, in order to minimise electricity consumption. If the crockery is only lightly soiled or if it has been rinsed with water before being placed in the dishwasher, reduce the amount of detergent used accordingly.**

## MODIFYING A RUNNING PROGRAM

If a wrong program was selected, it is possible to change it, provided that it has only just begun: open the door, press and hold the **ON/OFF** button, the machine will switch off.

Switch the machine back on using the **ON/OFF** button and select the new wash cycle and any desired options; Start the wash cycle by pressing **START/Pause** button (led is lit) and closing the door within 4 sec.

## ADDING EXTRA CROCKERY

Without switching off the machine, open the door (**START/Pause** led starts blinking) (**be ware of HOT steam!**) and place the crockery inside the dishwasher. Press the **START/Pause** button and close the door within 4 sec., the cycle will resume from the point at which it was interrupted.

## ACCIDENTAL INTERRUPTIONS

If the door is opened during the wash cycle, or if there is a power cut, the cycle stops. Press the **START/Pause** button and close the door within 4 sec., the cycle will resume from the point at which it was interrupted.

# ADVICE AND TIPS

## TIPS

Before loading the baskets, remove all food residues from the crockery and empty the glasses. **You do not need to rinse beforehand under running water.**

Arrange the crockery so that it is held in place firmly and does not tip over; and arrange the containers with the openings facing downwards and the concave/convex parts placed obliquely, thus allowing the water to reach every surface and flow freely.

**Warning:** lids, handles, trays and frying pans do not prevent the sprayer arms from rotating.

Place any small items in the cutlery basket.

Very soiled dishes and pans should be placed in the lower basket because in this sector the water sprays are stronger and allow a higher washing performance.

After loading the appliance, make sure that the sprayer arms can rotate freely.

## UNSUITABLE CROCKERY

- Wooden crockery and cutlery.
- Delicate decorated glasses, artistic handicraft and antique crockery. Their decorations are not resistant.
- Parts in synthetic material which do not withstand high temperatures.
- Copper and tin crockery.
- Crockery soiled with ash, wax, lubricating grease or ink.

The colours of glass decorations and aluminium/silver pieces can change and fade during the washing process. Some types of glass (e.g. crystal objects) can become opaque after a number of wash cycles too.

## DAMAGE TO GLASS AND CROCKERY

- Only use glasses and porcelain guaranteed by the manufacturer as dishwasher safe.
- Use a delicate detergent suitable for crockery
- Collect glasses and cutlery from the dishwasher as soon as the wash cycle is over.

## TIPS ON ENERGY SAVING

- When the household dishwasher is used according to the manufacturer's instructions, **washing tableware in a dishwasher usually consumes less energy and water than hand dishwashing.**
- In order to maximize dishwasher efficiency it is recommended to **initiate the wash cycle once dishwasher is fully loaded.** Loading the household dishwasher up to the capacity indicated by the manufacturer will contribute to energy and water savings. Information on correct loading of tableware can be found in Loading chapter. In case of partial loading it is recommended to use dedicated wash options if available (Half load/ Zone Wash, Multizone), filling up only selected racks. Incorrect loading or overloading the dishwasher may increase resources usage (such as water, energy and time, as well as increase noise level), reducing cleaning and drying performance.
- Manual pre-rinsing of tableware items leads to increased water and energy consumption and is not recommended.

## HYGIENE

To avoid odour and sediment which can be accumulated in the dishwasher **please run a high temperature program at least one a month.** Use a tea spoon of detergent and run it without the loading to clean your appliance.

# CARE AND MAINTENANCE

## CLEANING THE FILTER ASSEMBLY

Regularly clean the filter assembly so that the filters do not clog and that the waste water flows away correctly.

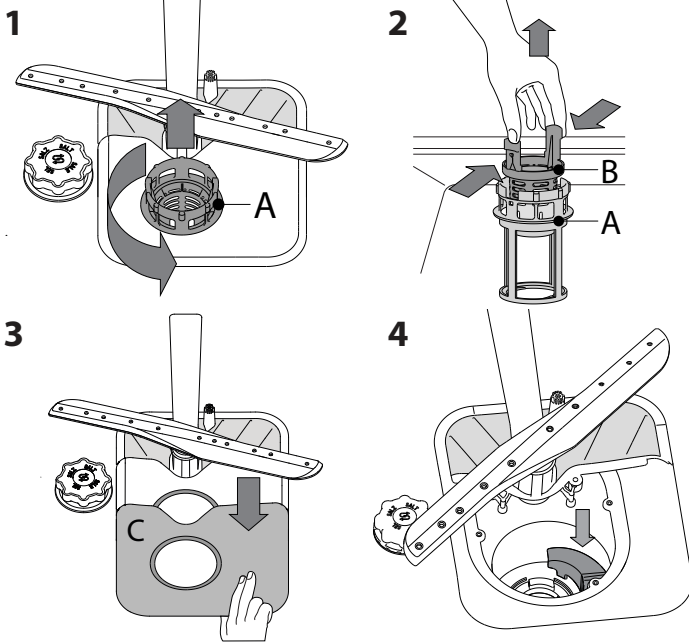
Using dishwasher with clogged filters or foreign objects inside filtration system or sprayarms may cause unit malfunction resulting in lose of performance, noisy work or higher resources usage.

The filter assembly consists of three filters which remove food residues from the washing water and then recirculate the water.

**The dishwasher must not be used without filters or if the filter is loose.**

At least once per month or after each 30 cycles, check the filter assembly and if necessary clean it thoroughly under running water, using a non-metallic brush and following the instructions below:

1. Turn the cylindrical filter **A** in an anti-clockwise direction and pull it out (Fig 1).
2. Remove the cup filter **B** by exerting a slight pressure on the side flaps (Fig 2).
3. Slide out the stainless-steel plate filter **C** (Fig 3).
4. In case you find foreign objects (such as broken glass, porcelain, bones, fruit seeds etc.) **please remove them carefully**.
5. Inspect the trap and remove any food residues. **NEVER REMOVE** the wash-cycle pump protection (black detail) (Fig 4).



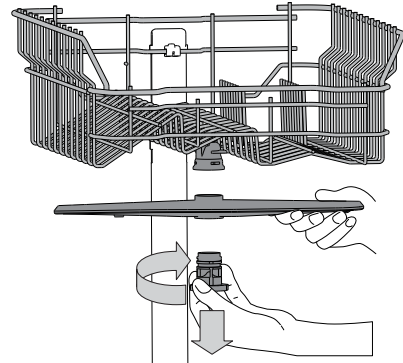
After cleaning the filters, re-place the filter assembly and fix it in position correctly; this is essential for maintaining the efficient operation of the dishwasher.

## CLEANING THE WATER INLET HOSE

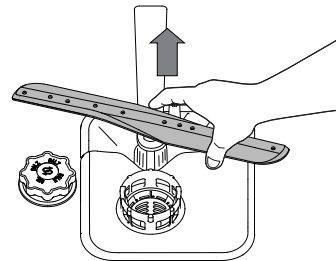
If the water hoses are new or have not been used for an extended period of time, let the water run to make sure it is clear and free of impurities before performing the necessary connections. If this precaution is not taken, the water inlet could become blocked and damage the dishwasher.

## CLEANING THE SPRAY ARMS

On occasions, food residue may become encrusted onto the spray arms and block the holes used to spray the water. It is therefore recommended that you check the arms from time to time and clean them with a small non-metallic brush.



To remove the upper spray arm, turn the plastic locking ring in a clockwise direction. The upper spray arm should be replaced so that the side with the greater number of holes is facing upwards.



The lower spray arm may be removed by pulling it upwards.

## WATER SOFTENING SYSTEM

Water softener automatically reduces water hardness, consequently preventing scale buildup on heater, contributing also to better cleaning efficiency.

**This system regenerates itself with salt, therefore it is required to refill salt container when empty.**



Frequency of regeneration depends on water hardness level setting - regeneration takes place once per **6** Eco cycles with water hardness level set to **3**.

Regeneration process starts in final rinse and finishes in drying phase, before cycle ends.

- Single regeneration consumes: ~3.5L of water;
- Takes up to 5 additional minutes for the cycle;
- Consumes below 0.005kWh of energy.

# TROUBLESHOOTING

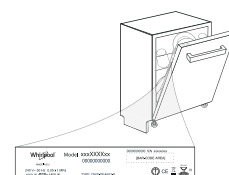
In case your dishwasher doesn't work properly, check if the problem can be solved by going through the following list. For other errors or issues please contact authorized After-sales Service which contact details can be found in the warranty booklet. Spare parts will be available for a period of either up to 7 or up to 10 years, according to the specific Regulation requirements.

PROBLEMS	POSSIBLE CAUSES	SOLUTIONS
 Salt indicator is lit	Salt reservoir is empty. (After refill the salt indicator may remain lit for several wash cycles).	Refill reservoir with salt (for more information - see page 2). Adjust water hardness - see table, page 2.
 Rinse aid indicator is lit	Rinse aid dispenser is empty. (After refill the rinse aid indicator may remain lit for several wash cycles).	Refill dispenser with rinse aid (for more information - see page 2).
The dishwasher won't start or does not respond to commands.	The appliance has not been plugged in properly.	Insert the plug into the socket.
	Power outage.	For safety reasons, dishwasher will not re-start automatically when power returns. Open dishwasher door, press START/Pause button and close the door within 4 seconds.
	The dishwasher door is not closed. NaturalDry pin is not pulled in.	Vigorously push the door until you hear the "click".
	Cycle is interrupted by door opening for more than 4 seconds.	Press START/Pause and close the door within 4 seconds.
The dishwasher won't drain. Display shows: <b>3</b> and On/Off LED is blinking rapidly	It does not respond to commands. Display shows: <b>9</b> or <b>12</b> and On/Off LED is blinking rapidly	Switch off the appliance by pressing the ON/OFF button, switch it back on after approximately one minute and restart the program. If problem persists, unplug the appliance for 1 minute, then plug it back in.
	The wash cycle has not finished yet.	Wait until the wash cycle finishes.
	The drain hose is bent.	Check that the drain hose is not bent (see <i>INSTALLATION INSTRUCTION</i> ).
	The sink drain pipe is blocked.	Clean the sink drain pipe.
The dishwasher makes excessive noise.	The filter is clogged up with food residues.	Clean the filter (see <i>CLEANING THE FILTER ASSEMBLY</i> ).
	The dishes are rattling against each other. An excessive amount of foam has been produced.	Position the crockery correctly (see <i>LOADING THE RACKS</i> ). The detergent has not been measured out correctly or it is not suitable for use in dishwashers (see <i>FILLING THE DETERGENT DISPENSER</i> ). Restart the current cycle by switching OFF the dishwasher, then switch it on again, select a new program, press START/Pause and close the door within 4 seconds. Please do not add any detergent.
The dishes are not clean.	The crockery has not been arranged properly.	Arrange the crockery correctly (see <i>LOADING THE RACKS</i> ).
	The spray arms cannot rotate freely, being hindered by the dishes.	Arrange the crockery correctly (see <i>LOADING THE RACKS</i> ).
	The wash cycle is too gentle.	Select an appropriate wash cycle (see <i>PROGRAMS TABLE</i> ).
	An excessive amount of foam has been produced.	The detergent has not been measured out correctly or it is not suitable for use in dishwashers (see <i>FILLING THE DETERGENT DISPENSER</i> ).
	The cap on the rinse aid compartment has not been shut correctly.	Make sure the cap of the rinse aid dispenser is closed.
	The filter is soiled or clogged.	Clean the filter assembly (see <i>CARE AND MAINTENANCE</i> ).
	There is no salt.	Fill the salt reservoir (see <i>FILLING THE SALT RESERVOIR</i> ).
The dishwasher does not fill the water. Display shows: <b>H</b> , <b>6</b> and On/Off LED is blinking rapidly	No water in the water supply or the tap is closed.	Make sure there is water in the water supply or the tap running.
	The inlet hose is bent.	Make sure the inlet hose is not bent (see <i>INSTALLATION</i> ) reprogram the dishwasher and reboot.
	The sieve in the water inlet hose is clogged; it is necessary to clean it	After having carried out the verification and cleaning, turn off and turn on the dishwasher and restart a new program.
Dishwasher finishes the cycle prematurely. Display shows: <b>15</b> and On/Off LED is blinking rapidly	Drain hose positioned too low or siphoning into home sewage system.	Check if end of drain hose is placed at correct height (see <i>INSTALLATION</i> ). Check for siphoning into home sewage system, install air admittance valve if necessary.
	Air in water supply.	Check water supply for leaks or other issues letting air inside.
Detergent leaks.	Depends on the liquid detergent used and can be emphasized in case of delay option is activated.	Small leaks will not cause machine malfunction and can be avoided by changing liquid detergent type or using tablets.

## Policies, standard documentation, ordering of spare parts and additional product information can be found by:

- Using QR code on your product.
- Visiting our website [docs.whirlpool.eu/docs](https://docs.whirlpool.eu/docs) and [parts-selfservice.europeanappliances.com](https://parts-selfservice.europeanappliances.com)
- Alternatively, **contact our After-sales Service** (See phone number in the warranty booklet).

When contacting our After-sales Service, please state the codes provided on your product's identification plate. The model information can be retrieved using the QR-Code reported in the energy label. The label also includes the model identifier that can be used to consult the portal of the registry at <https://eprel.ec.europa.eu>.



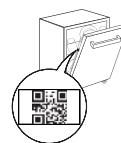
# РЪКОВОДСТВО ЗА ВСЕКИДНЕВНА СПРАВКА



**БЛАГОДАРИМ ВИ, ЧЕ ЗАКУПИХТЕ ПРОДУКТ НА WHIRLPOOL.**

За да получавате по-пълно съдействие, регистрирайте  
Вашия уред на: [www.whirlpool.eu/register](http://www.whirlpool.eu/register)

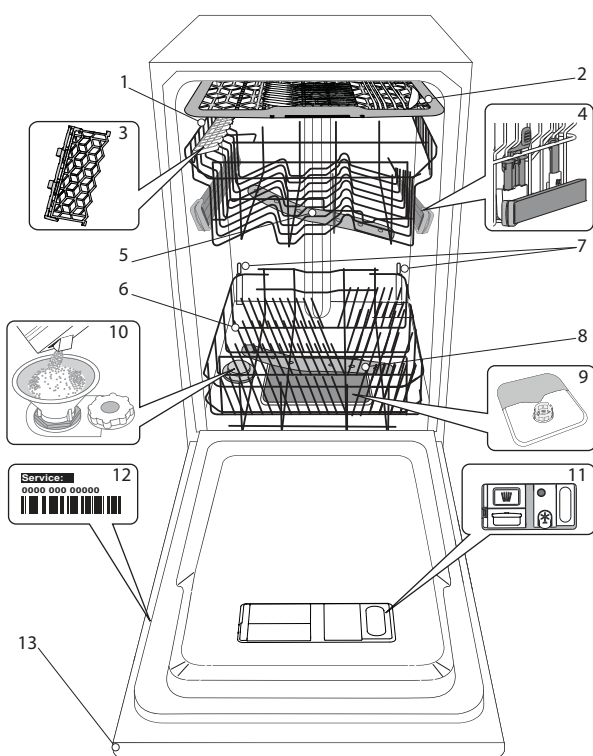
**ЗА ПОЛУЧАВАНЕ НА ПО-ПОДРОБНА  
ИНФОРМАЦИЯ, МОЛЯ, СКАНИРАЙТЕ  
QR КОДА НА ВАШИЯ УРЕД**



**!** Преди да използвате уреда, прочетете внимателно Инструкциите за безопасност.

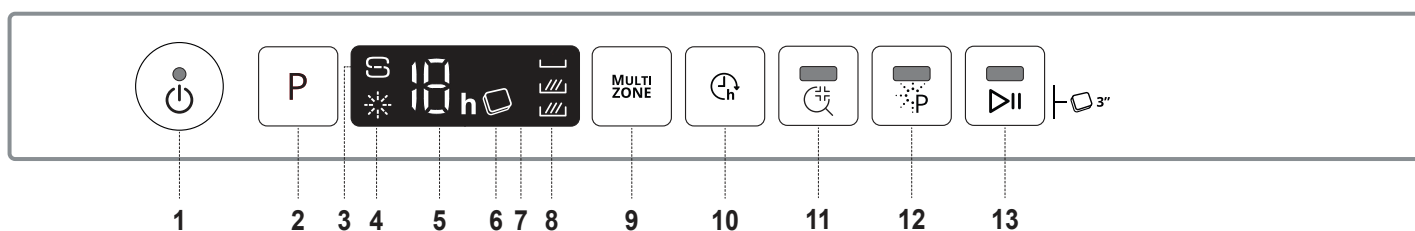
## ОПИСАНИЕ НА ПРОДУКТА

### УРЕД



1. Горна кошница
2. Кошница за прибори
3. Сгъваеми капаци
4. Регулатор за височината на горната кошница
5. Горно разпръскващо рамо
6. Долна кошница
7. Поддръжка за Power Clean®
8. Долно разпръскващо рамо
9. Филтърен възел
10. Резервоар за сол
11. Дозатори за препарат и помощно средство за изплакване
12. Табелка с данни
13. Контролен панел

### КОНТРОЛЕН ПАНЕЛ



- |   |  |
|---|--|
| 1. Бутон Вкл.-Изкл. / Нулиране със светлинен индикатор                | 7. Дисплей   |
| 2. Бутон за избиране на програма                                      | 8. Светлинен индикатор за "Мултизон"                           |
| 3. Светлинен индикатор за зареждане на сол                            | 9. Бутон "Мултизон"  |
| 4. Светлинен индикатор за зареждане на помощно средство за изплакване | 10. Бутон за отлагане  |
| 5. Индикатор за номер на програма и индикатор за време на забавяне    | 11. Бутон "Изплакване за дезинфекция" със светлинен индикатор  |
| 6. Светлинен индикатор за Таблетки (Tab)                              | 12. Бутон "Power Clean®" със светлинен индикатор               |
|   | 13. Бутон Старт/Пауза със светлинен индикатор / Таблетки (Tab) |

# УПОТРЕБА ЗА ПРЪВ ПЪТ

## СОЛ, ПОМОЩНО СРЕДСТВО ЗА ИЗПЛАКВАНЕ И ПОЧИСТВАЩ ПРЕПАРАТ

### СЪВЕТИ ЗА УПОТРЕБА ЗА ПЪРВИ ПЪТ

След монтаж отстранете блокиращите елементи от кошниците и задържащите ластици от горната кошница.

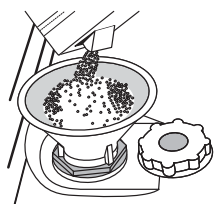
### ЗАРЕЖДАНЕ НА РЕЗЕРВОАРА ЗА СОЛ

Използването на сол предотвратява образуването на КОТЛЕН КАМЪК по съдовете и функционалните компоненти на машината.

• Задължително е **РЕЗЕРВОАРЪТ ЗА СОЛ НИКОГА ДА НЕ ОСТАВА ПРАЗЕН.**

• Важно е да зададете твърдостта на водата.

Резервоарът за сол се намира в долната част на миялната машина (вж. „ОПИСАНИЕ НА ПРОДУКТА“) и трябва да се допълва, когато **индикаторът ДОПЪЛВАНЕ НА СОЛ** на контролния панел светне.



1. Отстранете долната кошница и развийте капачката на резервоара (обратно на часовниковата стрелка).

2. **Само първия път правите това: напълнете резервоара за сол с вода.**

3. Поставете фунията (вж. *фигурата*) и напълнете резервоара за сол до ръба (около 1 kg); Не е необичайно да изтече малко вода.

4. Отстранете фунията и забършете остатъците от сол от отвора.

Уверете се, че капачката е завита здраво, така че по време на програмата за миене препаратът да не може да влезе в резервоара (това може да повреди непоправимо омекотителя за вода).

**Когато е необходимо да добавите сол, е задължително да направите това преди започване на цикъла на измиване, за да се избегне корозия.**

### НАСТРОЙВАНЕ НА ТВЪРДОСТТА НА ВОДАТА

За да може омекотителят за вода да работи идеално, е особено важно настройката за твърдостта на водата да се базира на реалната твърдост на водата в дома ви. Можете да получите тази информация от местния си доставчик на вода. Нивото по подразбиране за твърдост на водата е фабрично зададено.

- Включете уреда, като натиснете бутона **ВКЛ./ИЗКЛ.**
- Изключете уреда, като натиснете бутона **ВКЛ./ИЗКЛ.**
- Натиснете и задръжте бутона **P** за 5 секунди, докато чуete звук сигнал.
- Включете уреда, като натиснете бутона **ВКЛ./ИЗКЛ.**
- Номерът на текущо избраното ниво и светлинният индикатор за сол мигат.
- Натиснете бутона **P**, за да изберете желаното ниво на твърдост на водата (вж. **ТАБЛИЦА НА ТВЪРДОСТТА НА ВОДАТА**).

Таблица на твърдостта на водата				
Ниво	°dH Германски градуси	°fH Френски градуси	°Clark Английски градуса	
1	Мека	0 - 6	0 - 10	0 - 7
2	Умерена	7 - 11	11 - 20	8 - 14
3	Средна	12 - 16	21 - 29	15 - 20
4	Твърда	17 - 34	30 - 60	21 - 42
5	Много твърда	35 - 50	61 - 90	43 - 62

• Изключете уреда, като натиснете бутона **ВКЛ./ИЗКЛ.**

Настройката е завършена!

Веднага след завършването на процедурата пуснете програмата без съдове.

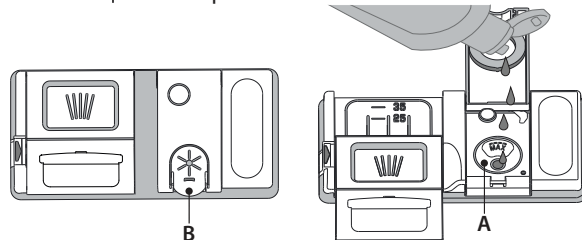
**Използвайте само сол, която е предназначена специално за съдомиялни машини.**

След като поставите сол в машината, светлинният индикатор **ЗАРЕЖДАНЕ НА СОЛ** се изключва.

**Ако контейнерът за сол не бъде напълнен, възможно е в резултат на натрупване на варовик да се повреди омекотителят за вода и нагревателният елемент. Използването на сол е препоръчително с всякакъв тип миялен препарат.**

### ЗАРЕЖДАНЕ НА ДОЗАТОРА ЗА ПОМОЩНО СРЕДСТВО ЗА ИЗПЛАКВАНЕ

Помощното средство за изплакване улеснява СУШЕНЕТО. Дозаторът за помощното средство за изплакване **A** трябва да се пълни, когато светлинният индикатор **ЗАРЕЖДАНЕ НА ПОМОЩНО СРЕДСТВО ЗА ИЗПЛАКВАНЕ** на контролния панел светне.



1. Отворете дозатора **B**, като натиснете и дръпнете нагоре издатината на капачката.

2. Внимателно добавете помощното средство за изплакване до максималната (110 ml) референтна маркировка на мястото за пълнене - избягвайте да разливате. Ако това се случи, почистете разливането незабавно със суха кърпа.

3. Внимателно капачката надолу, докато чуete щракване, за да го затворите. **НИКОГА не наливайте помощното средство за изплакване направо във ваничката.**

### РЕГУЛИРАНЕ НА ДОЗИРАНЕТО НА ПОМОЩНОТО СРЕДСТВО ЗА ИЗПЛАКВАНЕ

Ако не сте напълно доволни от резултатите от сушенето, можете да регулирате използваното количество помощно средство за изплакване.

- Включете съдомиялната машина с бутон **ВКЛ./ИЗКЛ.**
- Изключете я с бутон **ВКЛ./ИЗКЛ.**
- Натиснете бутона **P** три пъти - ще чуete звуков сигнал.
- Включете я с бутон **ВКЛ./ИЗКЛ.**
- Номерът на текущо избраното ниво и светлинният индикатор за помощно средство за изплакване мигат.
- Натиснете бутона **P**, за да изберете желаното ниво на количеството помощно средство за изплакване.
- Изключете я с бутон **ВКЛ./ИЗКЛ.**

Настройката е завършена!

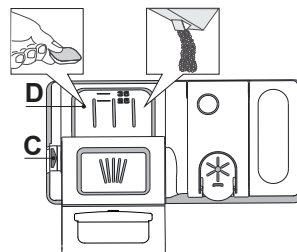
Ако нивото на помощното средство за изплакване е зададено на **НУЛА (ЕКО)**, няма да се подава помощно средство за изплакване. Светлинният индикатор **НИСКО НИВО НА ПОМОЩНОТО СРЕДСТВО ЗА ИЗПЛАКВАНЕ** няма да светне, ако помощното средство се изчерпи.

Според модела на съдомиялната машина могат да се задават максимум 5 нива. Фабричната настройка е специфична за всеки модел; следвайте инструкциите по-горе, за да проверите отнася ли се настройката за Вашата машина.

- Ако видите синкави петна по съдовете, задайте нисък номер (1-2).
- Ако по съдовете има капки вода или следи от котлен камък, задайте висок номер (3-4).

### FILLING THE DETERGENT DISPENSER

**За да отворите дозатора за миялен препарат, използвайте отварящото устройство C. Сложете препарат само в сухия дозатор D. Поставете количеството препарат за предварително измиване направо във ваничката.**



1. При измерване на препарата правете справка със споменатата информация по-горе, за да добавите подходящо количество. в дозатора **D** има индикатори, за да помогнат за дозирането на миялния препарат.
2. Отстранете остатъците от препарат от ръбовете на дозатора и затворете капачката, докато щракне.
3. Затворете капачката на дозатора за препарат, като го дръпнете нагоре, докато приспособлението за затваряне се закрепят на място.

Дозаторът за препарат се отваря автоматично в правилния момент според програмата. Ако се използват многофункционални препарати, препоръчваме да използвате бутона **ТАБЛЕТКИ**, тъй като той регулира програмата за постигане на винаги най-добри резултати при миене и сушене.

**Използването на миялен препарат, който не е предназначен за съдомиялни машини, може да причини неизправност или повреда на уреда.**

# ТАБЛИЦА НА ПРОГРАМИТЕ

Програма	Фаза на сушене	NaturalDry	Налични опции *)	Времетраене на програмата за миене (ч:МИН)**	Потребление на вода (литра/програма)	Потребление на енергия (kWh/програма)	
1. Еко	Eco 50°	✓	✓		3:40	9,0	0,67
2. 6 <sup>th</sup> Sense®	6 <sup>th</sup> sense 50-60°	✓	✓		1:20 - 3:00	7,0 - 14,0	0,70 - 1,10
3. Интензивна	65°	✓	✓		2:45	17,5	1,60
4. Бързо измиване и сушене	50°	✓	✓		1:25	11,5	1,10
5. Кристал	45°	✓	✓		1:40	12,0	1,20
6. Бърза 30'	50°	-	✓		0:30	9,0	0,50
7. Предварително Изплакване	-	-	-		0:10	4,5	0,01
8. Самопочистване	65°	-	-		0:50	8,0	0,85

Данните за програмата ЕКО са измерени в лабораторни условия съгласно Европейски стандарт EN 60436:2020.

Бележки за тестовите лаборатории: за информацията относно сравнимите с EN тестови условия изпратете имейл на следния адрес: [dw\\_test\\_support@europaappliances.com](mailto:dw_test_support@europaappliances.com)

Не е необходимо предварително третиране на съдовете преди пускане на която и да било програма.

\*) Не всички опции могат да се използват едновременно.

\*\*) Стойностите, дадени за програмите, с изключение на програмата Еко, са само ориентировъчни. Реалното време може да се различава в зависимост от множество фактори, като температурата и налягането на подаваната вода, температурата в помещението, количеството препарат, количеството и вида на зареждането, балансирането на зареждането, допълнителните избрани опции и калибрирането на сензора. Калибрирането на сензора може да увеличи продължителността на програмата с до 20 мин.

## ОПИСАНИЕ НА ПРОГРАМИТЕ

### Указания за избор на програма за миене.

#### 1 ЕКО

Програмата Еко е подходяща за почистване на нормално замърсена домакинска посуда, като използвана по този начин, програмата е най-ефективна по отношение на комбинираното потребление на енергия и вода и отговаря на законодателството на ЕС по отношение на екологичния дизайн.

#### 2 6<sup>th</sup> SENSE®

За нормално замърсени съдове със залепнали остатъци от храна. Открива нивото на замърсяване на съдовете и регулира програмата. Когато датчикът извършва определяне на нивото на замърсяване, на дисплея се показва анимирано изображение и продължителността на цикъла се обновява.

#### 3 ИНТЕНЗИВНА

Програма, препоръчвана за силно замърсени съдове, особено подходяща за тигани и тенджери (да не се използва за фини изделия).

#### 4 БЪРЗО ИЗМИВАНЕ И СУШЕНЕ

Програма за ограничено количество нормално замърсени съдове. Осигурява оптимална ефективност на почистването за по-кратко време.

#### 5 КРИСТАЛ

Програма за фини изделия, които са по-чувствителни към високи температури, например стъклени и порцеланови чаши.

#### 6 БЪРЗА 30'

Програма, която да се използва при наполовина пълна съдомиялна или леко замърсени съдове без засъхнали остатъци от храна. Няма фаза на сушене.

#### 7 ПРЕДВАРИТЕЛНО ИЗПЛАКВАНЕ

Използва се за освежаване на съдовете, които ще бъдат измити по-късно. За тази програма не се използва препарат.

#### 8 САМОПОЧИСТВАНЕ

Програмата, която се използва за извършване на поддръжка на съдомиялната машина, следва да се изпълнява само когато машината е ПРАЗНА и с препарати, специално предназначени за поддръжка на съдомиялна машина.

#### Забележки:

Имайте предвид, че програмата Бърза 30' е предназначена за леко замърсени съдове.

# ОПЦИИ И ФУНКЦИИ

ОПЦИИ може да се избере директно чрез натискане на съответния бутон (вж. КОНТРОЛЕН ПАНЕЛ).

**Ако дадена опция не е съвместима с избраната програма, вж. ТАБЛИЦА С ПРОГРАМИ, съответният светодиод премигва бързо 3 пъти и се чува звуков сигнал. Опцията не се активира.**

## MULTI ZONE МУЛТИЗОН

Ако няма много съдове за миене, с оглед пестене на вода, ток и препарат може да се използва половин зареждане. Изберете програмата и след това натиснете бутона МУЛТИЗОН: индикаторът над бутона светва и символът на избраната кошница се извежда на дисплея. По подразбиране уредът мие съдовете във всички кошници. За миене само на конкретна кошница, натиснете този бутон няколко пъти:



показано на дисплея (само долната кошница)



показано на дисплея (само горната кошница)



показано на дисплея (само кошницата за прибори)

показано на дисплея (опцията е ИЗКЛ. и уредът мие съдовете във всички кошници).

**Не забравяйте да заредите само горната или долната кошница и да намалите количеството препарат съответно. Ако горната кошница бъде отстранена, сложете миялния препарат директно във ваната вместо в дозатора.**

## ОТЛАГАНЕ

Стартирането на програмата може да се отложи за период от време между **1 и 12 часа**.

1. Натиснете бутона ОТЛАГАНЕ: на дисплея се появява символът на съответния час «h»; при всяко натискане на бутона времето (1 ч, 2 ч и т.н. до макс. 12 ч) до началото на избраната програма за миене се увеличава.
2. Изберете програмата за миене, натиснете бутона СТАРТ/ПАУЗА и затворете вратичката в рамките на 4 секунди: таймерът ще започне отброяването.
3. След изтичане на времето светлинният индикатор «h» изгасва и цикълът на измиване започва.

За да коригирате времето за отлагане и да изберете по-кратък период, натиснете бутона ОТЛАГАН. За да отмените, натиснете бутона няколко пъти, докато светлинният индикатор за избрания отложен старт «h» се изключи.

**Функцията ОТЛАГАНЕ не може да се зададе след стартиране на програмата.**

## ИЗПЛАКВАНЕ ЗА ДЕЗИНФЕКЦИЯ

Тази опция може да се използва за дезинфекциране на измитите съдове. Тя ще увеличи температурата на последното изплакване и ще добави антибактериално измиване към избраната програма.

Изберете програмата за миене, натиснете бутона ИЗПЛАКВАНЕ ЗА ДЕЗИНФЕКЦИЯ; светлинният индикатор светва. Натиснете същия бутон още веднъж, за да отмените опцията. Идеална за почистване на съдове и бутилки за хранене. Вратичката на съдомиялната машина трябва да се държи затворена по време на цялата програма, за да се гарантира намаляване на бактериите. Ако вратичката се отвори, индикаторната лампичка започва да премигва.

**ПРЕДУПРЕЖДЕНИЕ: съдовете е възможно да са много горещи в края на програмата.**

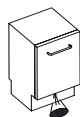
## ТАБЛЕТКИ (Tab)

Тази настройка позволява оптимизиране на ефективността на програмата в зависимост от типа на използвания препарат. Натиснете бутона СТАРТ/ПАУЗА за 3 секунди (съответният символ светва), ако използвате комбинирани препарати във формата на таблетки (помощно средство за изплакване, сол и препарат в 1 доза).

**Ако използвате препарат на прах или течен, тази опция следва да е изкл.**

## ПАУЪР КЛИЙН

Благодарение на допълнителните мощни водни струи, тази опция осигурява по-интензивно и по-силно измиване в специфичната зона в долната кошница. Тази опция се препоръчва за измиване на тенджери и огнеупорни съдове. Натиснете този бутон, за да активирате ПАУЪР КЛИЙН (индикаторът светва).



## ИНДИКАТОР ЗА РАБОТА НА УРЕДА

Светодиодна светлина, насочена към пода, показва, че съдомиялната работи. Може да се избере един от следните работни режими:

- a) Деактивирана функция
- b) При стартиране на програмата светлината се включва за няколко секунди, остава изключена по време на програмата и мига в края на програмата.
- c) Светлината остава включена по време на програмата и мига в края на програмата (режим по подразбиране). Ако е бил зададен отложен старт, светлината се включва или за първите няколко секунди, или за цялата продължителност на обратното броене според това дали е зададен режим b) или c). Светлината се изключва при всяко отваряне на вратичката. За да изберете предпочитания режим, включете машината, задръжте бутон **P** натиснат, докато една от трите букви се изведе на дисплея, натиснете бутон **P**, докато достигнете желаната буква (или режим), задръжте бутон **P** натиснат, за да потвърдите избора.

**Notă: Dacă sistemul NaturalDry este activ și deschide ușa, indicatorul de funcționare nu va clipi la sfârșitul ciclului.**

## NaturalDry

*NaturalDry* е конвекторна система за сушене, която автоматично отваря вратичката по време на/след фазата на сушене, за да осигури всекидневно изключителни резултати от сушенето. Вратичката се отваря при температура, която е безопасна за Вашите кухненски мебели, следователно тя няма да се отвори, когато е включени опцията ТУРБО.

Като допълнителна защита от парата, със съдомиялната машина се предоставя специално проектирано предпазно фолио. За да видите как се монтира предпазното фолио, вижте РЪКОВОДСТВО ЗА МОНТАЖ. Потребителят може да деактивира системата *NaturalDry* по следния начин:

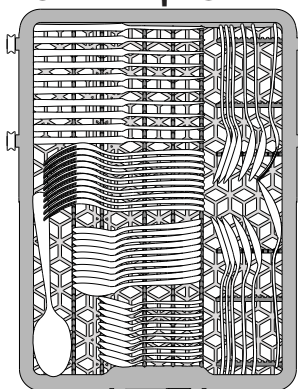
1. Влезте в менюто на софтуера на съдомиялната машина, като натиснете и задръжте за 6 секунди бутона "P".
2. В момента се намирате в менюто за управление на осветлението (вижте описанието на ИНДИКАТОР ЗА РАБОТА); ако не желаете да извършвате промени, отново натиснете и задръжте бутона "P" (докато една от двете букви се покаже на дисплея).
3. Преминете в менюто за управление на системата *NaturalDry*; можете да промените работното състояние на системата *NaturalDry*, като натиснете бутона "P":

**e** – активирана **d** – деактивирана

За потвърждаване на промяната и за излизане от менюто за управление натиснете и задръжте за 3 секунди бутона "P".

# ЗАРЕЖДАНЕ НА КОШНИЦИТЕ

## КОШНИЦА ЗА ПРИБОРИ



Третата кошница е проектирана за поставяне на прибори. Подредете приборите, както е показано на фигурата.

Отделното подреждане на приборите прави събирането по-лесно след миене и подобрява ефективността на миенето и сушенето.

**Ножовите и другите прибори с остри ръбове трябва да се поставят с остриетата надолу.**

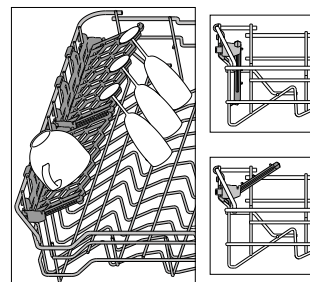
## СГЪВАЕМИ КАПАЦИ С РЕГУЛИРУЕМА ПОЗИЦИЯ

Страничните капаци могат да се сгъват или разгъват, за да се оптимизира подреждането на съдовете в кошницата.

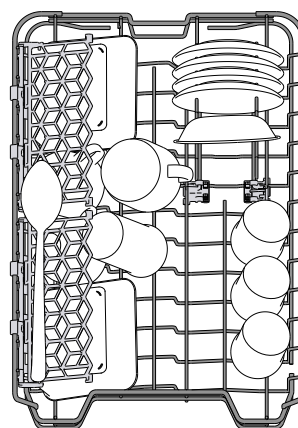
Чашите за вино могат да се поставят безопасно в сгъваемите капаци, като столчето на всяка чаша се вмъкне в съответния процеп.

В зависимост от модела:

- за да разгънете капациите, е необходимо да ги плъзнете нагоре и да ги завъртите или да ги освободите от закопчалките им и да ги издърпате надолу.
- за да сгънете капациите, е необходимо да ги завъртите и да плъзнете капациите надолу или да ги дръпнете нагоре и да ги закачите за закопчалките.



## КГОРНА КОШНИЦА

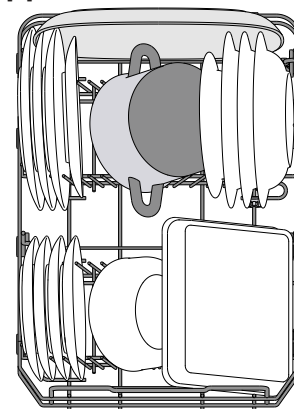


Заредете деликатните и леки съдове: стъклени и порцеланови чаши, чинийки, ниски купи за салатата.

Горната кошница има разгъващи се опори, които могат да се използват във вертикално положение при подреждане на чинийки за чай/десерт или в по-ниска позиция за поставяне на купи и съдове за храна.

(пример за зареждане на горната кошница)

## ДОЛНА КОШНИЦА



За тенджери, капаци, чинии, купи за салатата и т.н. Едрите чинии и капаци следва в идеалния случай да се поставят отстрани, за да не възпрепятстват разпръскващото рамо.

Долната кошница има разгъващи се опори, които могат да се използват във вертикално положение при подреждане на чинии или в хоризонтална позиция за лесно поставяне на тави и купи за салатата.

(пример за зареждане на долната кошница)

## РЕГУЛИРАНЕ НА ВИСОЧИНАТА НА ГОРНАТА КОШНИЦА

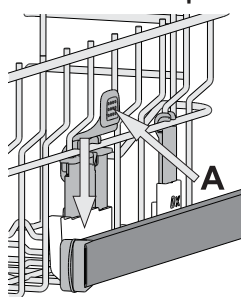
Височината на горната кошница може да се регулира: висока позиция за поставяне на обемни съдове в долната кошница и ниска позиция за пълноценно използване на наклонящите се опори, като се създава повече място нагоре и се избягва сблъскване с изделията в долната кошница.

Горната кошница е оборудвана с **Регулатор на височината на горната кошница** (вж. фигурата), без да натискате лостовите, повдигнете нагоре, като просто хванете кошницата отстрани веднага след като кошницата стане стабилна в по-високата си позиция.

За да възстановите по-ниската позицията, натиснете лостовите **A** отстрани на кошницата и преместете кошницата надолу.

**Силно препоръчваме да не регулирате височината на кошницата, когато е заредена.**

**НИКОГА не повдигайте или спускайте кошницата само от едната страна.**



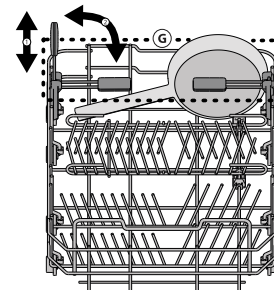
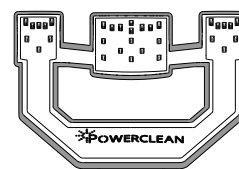
## POWER CLEAN® В ДОЛНАТА КОШНИЦА

Power Clean® използва специални водни струи отзад на кухнята за по-интензивно измиване на високи замърсени съдове. Долната кошница има **Свободна зона**, специална издърпваща се опора в задния край на кошницата, която може да се използва за опора за тигани или тави в изправено положение, така че да заемат по-малко място.

Поставете тенджерите/огнеупорните съдове насочени към компонента Power Clean® и активирайте **POWER CLEAN®** на панела.

Как да използвате Power Clean®:

1. Регулирайте зоната на Power Clean® (G), като подгънете задните поставки за чинии, за да заредите с тенджери.
2. Зареждайте тенджери и касероли, наклонени вертикално, в зоната на Power Clean®. Тенджерите трябва да са наклонени към мощните водни струи.



# ВСЕКИДНЕВНА УПОТРЕБА

## 1. ПРОВЕРКА НА ВОДНАТА ВРЪЗКА

Проверете дали съдомиялната машина е свързана към водопроводната мрежа и дали кранът е отворен.

## 2. ВКЛЮЧЕТЕ СЪДОМИЯЛНАТА МАШИНА

Отворете вратичката и натиснете бутона **ВКЛ./ИЗКЛ.**

## 3. ЗАРЕДЕТЕ КОШНИЦИТЕ (вж. ЗАРЕЖДАНЕ НА КОШНИЦИТЕ)

## 4. ЗАРЕЖДАНЕ НА ДОЗАТОРА ЗА МИЯЛЕН ПРЕПАРАТ

## 5. ИЗБЕРЕТЕ ПРОГРАМАТА И ПЕРСОНАЛИЗИРАЙТЕ ПРОГРАМАТА

Изберете най-подходящата програма според вида на съдовете и нивото на замърсяване (вж. ОПИСАНИЕ НА ПРОГРАМИТЕ) чрез натискане на бутона **P**.

Изберете желаните опции (вж. ОПЦИИ И ФУНКЦИИ).

## 6. СТАРТ

Стартирайте цикъла на миене, като натиснете бутона **СТАРТ/ПАУЗА** (светодиодът свети) и затворете вратичката в рамките на 4 секунди. Когато програмата започне, ще чуете единичен звуков сигнал. Ако не сте затворили вратичката в рамките на 4 секунди, ще чуете алармен сигнал. В такъв случай отворете вратичката, натиснете бутона **СТАРТ/ПАУЗА** и затворете вратичката отново в рамките на 4 секунди.

## 7. КРАЯТ НА ПРОГРАМАТА

Краят на цикъла на измиване се обозначава с няколко звукови сигнала и с премигването на дисплея на номера на съответния цикъл на измиване. Отворете вратичката и изключете уреда, като натиснете бутона **ВКЛ./ИЗКЛ.**

Изчакайте няколко минути, преди да премахнете съдовете, за да избегнете изгаряния.

Извадете съдовете, като започнете от долната кошница.

Машината се изключва автоматично при определени продължителни периоди на неактивност, за да сведе до минимум потреблението на енергия.

Ако съдовете са само леко замърсени или ако са изплакнати с вода преди да се поставят в съдомиялната машина, намалете съответно количеството използван препарат.

## МОДИФИЦИРАНЕ НА РАБОТЕЩА ПРОГРАМА

Ако е избрана грешна програма, можете да я промените, при условие че тя е започнала току-що: отворете вратичката, натиснете и задръжте бутона **ВКЛ./ИЗКЛ.**, машината ще се изключи. Включете машината отново с бутона **ВКЛ./ИЗКЛ.** и изберете новата програма за миене и желаните опции; стартирайте програмата, като натиснете бутона **СТАРТ/ПАУЗА** и затворете вратичката в рамките на 4 секунди.

## ДОБАВЯНЕ НА СЪДОВЕ

Без да изключвате машината, отворете вратичката (светодиодът **СТАРТ/ПАУЗА** започва да мига) (**внимание с ГОРЕЩАТА пара!**) и поставете съдовете в миалната машина. Натиснете бутона **СТАРТ/ПАУЗА** и в рамките на 4 секунди затворете вратичката, програмата се възобновява от момента, в който е била прекъсната.

## СЛУЧАЙНИ ПРЕКЪСВАНИЯ

Ако вратичката бъде отворена по време на програма за миене или при прекъсване на захранването, програмата спира. За да подновите програмата, откъдето е прекъсната, натиснете бутона **СТАРТ/ПАУЗА** и затворете вратичката в рамките на 4 секунди.

# ПОЛЕЗНИ СЪВЕТИ

## СЪВЕТИ

Преди да зареждате кошниците, отстранете всички остатъци от храна от съдовете и изпразнете чашите. **Не е нужно да изплаквате предварително с течаща вода.**

Подредете съдовете така, че да се задръжат добре на място и да не се обърнат; и подредете съдовете с отворите надолу и разположете вдлъбнатите/изпъкналите части така, че водата да може да достигне всяка повърхност и да тече свободно.

**Предупреждение:** капациите, дръжките, подносите и тиганите за пържене трябва да не пречат на въртенето на разпръскващите рамене.

Поставете дребните артикули в кошницата за прибори. Много замърсените съдове и тенджери следва да се поставят в долната кошница, тъй като в този сектор водните струи са по-силни и позволяват по-добра ефективност при миене. След като заредите уреда, проверете дали разпръскващите рамене могат да се въртят свободно.

## НЕПОДХОДЯЩИ СЪДОВЕ

- Дървени съдове и прибори.
- Деликатни чаши с декорации, артистични ръчно изработени съдове и антики. Декорациите им не са устойчиви.
- Части от синтетични материали, които не са устойчиви на високи температури.
- Медни и калаени съдове.
- Замърсени с пепел, въськ, грес или мастило съдове.

Цветовете на стъклените декорации и частите от алуминий/сребро могат да се променят и да избледнеят в процеса на миене. Някои видове стъкло (напр. кристалните предмети) могат да станат непрозрачни след няколко измивания.

## ПОВРЕДИ ПО ЧАШИТЕ И СЪДОВЕТЕ

- Използвайте само стъклени и порцеланови съдове, за които производителят гарантира, че са подходящи за съдомиялна машина.
- Използвайте деликатен почистващ препарат, подходящ за Вашите съдове
- Изваждайте чашите и приборите от съдомиялната машина веднага след края на програмата за миене.

## СЪВЕТИ ЗА ПЕСТЕНЕ НА ЕНЕРГИЯ

Когато домашната съдомиялна машина се използва съгласно инструкциите на производителя, **измиването на посуда в съдомиялна обикновено консумира ПО-МАЛКО ЕНЕРГИЯ И ВОДА в сравнение с миенето на ръка.**

- За да максимизирате ефективността на съдомиялната машина, **препоръчително е да стартирате цикъл на миене, след като машината е заредена докрай.** Зареждането на домашната съдомиялна машина до капацитета, посочен от производителя, ще спомогне да спестите енергия и вода. Информация относно правилното зареждане на посудата можете да намерите в глава ЗАРЕЖДАНЕ НА КОШНИЦИТЕ. При частично зареждане е препоръчително да използвате специално предназначения опции (Half load/ Zone Wash/ Multi-zone), като напълните само избраните кошници. Неправилното зареждане или препълване на съдомиялната машина може да увеличи потреблението на ресурси (като вода, енергия и време, както и да увеличи нивото на шум), което ще намали ефективността на измиване и сушене.

- Предварителното изплакване на посудата на ръка води до увеличено потребление на вода и енергия, затова не е препоръчително.

## ХИГИЕНА

За да избегнете миризми и утайки, които могат да се натрупат в съдомиялната машина, **моля, пускайте програма при висока температура най-малко веднъж месечно.** Използвайте супена лъжица препарат и пуснете уреда без да зареждате съдове, за да го почистите.

# ГРИЖИ И ПОДДРЪЖКА

## ПОЧИСТВАНЕ НА ФИЛТЪРНИЯ ВЪЗЕЛ

Почиствайте филтърния възел редовно, така че филтрите да не се запушват и отпадъчната вода да се източва правилно.

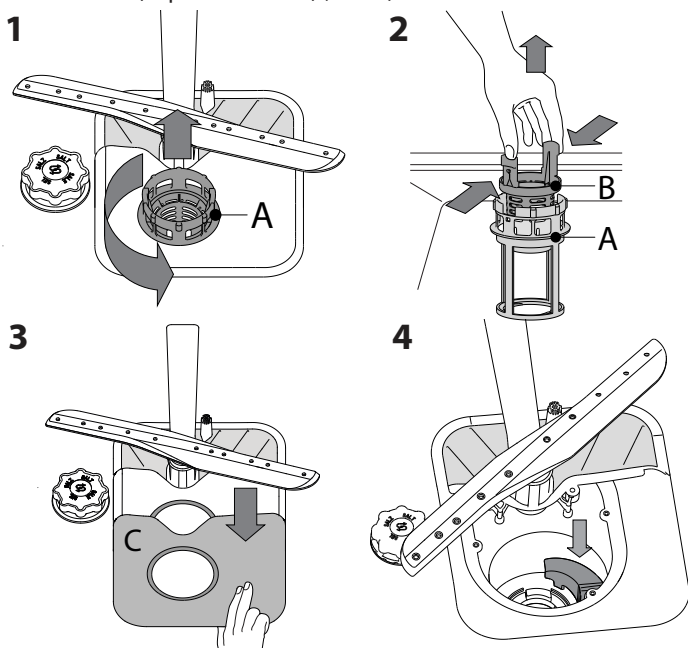
Използването на съдомиялната машина със запушени филтри или външни предмети във филтриращата система или пръскащите рамена, може да влоши работата на уреда и да доведе до намаляване на работните характеристики, шум по време на работа или повишено потребление на ресурси.

Филтърният възел се състои от три филтъра, които премахват остатъците от храна от водата от измиване и след това рециркулират водата: за постигане на най-добри резултати от измиването е необходимо да поддържате филтрите чисти.

**Съдомиялната машина не трябва да се използва без филтри или ако филтърът е разхлабен.**

Най-малко веднъж месечно или на всеки 30 цикъла проверявайте филтърния блок и при необходимост го почистете старателно с течаща вода, като използвате неметална четка и следвате инструкциите по-долу:

1. Завъртете цилиндричния филтър **A** обратно на часовниковата стрелка и го издърпайте (Фиг. 1).
2. Свалете филтъра чашка **B**, като приложите лек натиск върху страничните капаци (Фиг. 2).
3. Плъзнете навън филтъра-пластина от неръждаема стомана **C** (Фиг. 3).
4. В случай че намерите външни предмети (като счупени стъкла, порцелан, кости, семена на плодове и др.), **внимателно ги отстранете**.
5. Проверете уловителя и премахнете остатъците от храна. **НИКОГА НЕ МАХАЙТЕ** предпазителя на помпата за цикъла на измиване (черния елемент) (Фиг. 4).



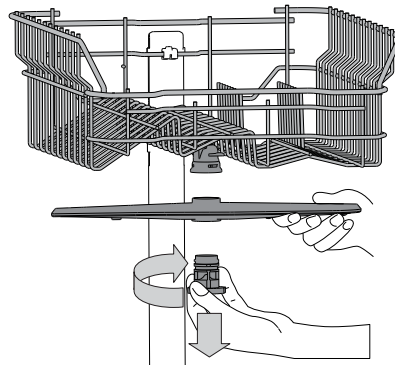
След почистване на филтрите поставете филтърния блок отново и го закрепете правилно на място; това е от ключово значение за поддържане на ефективната работа на съдомиялната машина.

## ПОЧИСТВАНЕ НА МАРКУЧА ЗА ПОДАВАНЕ НА ВОДА

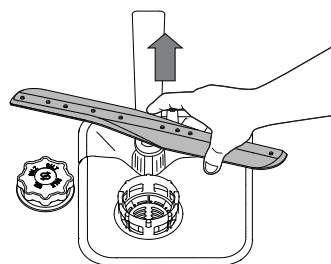
Ако маркучите за вода са нови или не са използвани продължително време, оставете водата да тече, за да се уверите, че е прозрачна и без замърсявания, преди да изпълнявате нужните връзки. Ако тази предпазна мярка не бъде взета, входът за вода може да се блокира и да повреди съдомиялната машина.

## ПОЧИСТВАНЕ НА РАЗПРЪСКВАЩИТЕ РАМЕНЕ

Понякога остатъците от храна е възможно да засъхнат върху разпръскващите рамена и да запушат отворите за разпръскване на вода. Следователно се препоръчва да проверявате раменете от време на време и да ги почиствате с малка неметална четка.



За сваляне на горното рамо за пръскане, завъртете пластмасовия заключващ пръстен по посока на часовниковата стрелка. Горното разпръскващо рамо следва да се поставя така, че страната с по-голям брой отвори да е насочена нагоре.



Можете да свалите долното разпръскващо рамо, като го издърпате нагоре.

## СИСТЕМА ЗА ОМЕКОТЯВАНЕ НА ВОДАТА

Омекотителят за вода намалява автоматично твърдостта на водата, като по този начин предотвратява натрупването на варовик по нагревателя и повишава ефективността при почистване.

**Системата се регенерира сама със сол, затова е необходимо да допълвате контейнера със сол, когато се изпразни.**

Честотата на регенериране зависи от настройката на нивото на твърдост на водата - регенерирането се извършва веднъж на всеки 6 цикъла Еко с ниво на твърдост на водата, зададено на 3.

Процесът на регенериране започва във фазата на последното изплакване и завършва във фазата на сушене, преди цикълът да завърши.

- Едно регенериране използва: ~3,5 литра вода;
- Към цикъла се добавят 5 допълнителни минути;
- Консумират се по-малко от 0,005 kWh енергия.

# ОТСТРАНЯВАНЕ НА НЕИЗПРАВНОСТИ

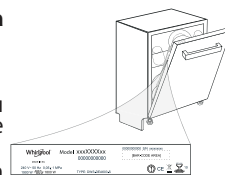
В случай че съдомиялната машина не работи нормално, проверете дали проблемът може да бъде решен, като прегледате следния списък. За други грешки или неизправности се свържете с отдела за следпродажбено обслужване, като данните за контакт можете да намерите в книжката за гаранцията. Резервните части ще бъдат налични за период от 7 или до 10 години, в съответствие със специфичните изисквания на регламента.

ПРОБЛЕМИ	ВЪЗМОЖНИ ПРИЧИНИ	РЕШЕНИЯ
Индикаторът за сол свети	Резервоарът за сол е празен. (След допълване на сол индикаторът може да остане да свети още няколко цикъла на миене).	Напълнете отново резервоара със сол (за повече информация – вж. стр. 2). Регулирайте твърдостта на водата – вижте таблицата, стр. 2.
Индикаторът за препарат за блясък свети	Дозаторът за препарат за блясък е празен. (След допълване на препарат за блясък индикаторът може да остане да свети още няколко цикъла на миене).	Напълнете отново дозатора на препарата за блясък (за повече информация – вж. стр. 2).
Съдомиялната машина не стартира или не реагира на команди.	Уредът не е включен в контакта както трябва.	Включете щепсела в контакта.
	Спиране на захранването.	От съображения за безопасност съдомиялната машина може да не стартира автоматично след пускане на електрозахранването. Отворете вратичката, натиснете бутона СТАРТ/Пауза и затворете вратичката в рамките на 4 секунди.
	Вратичката на съдомиялната не е затворена.	Натиснете вратичката силно, докато чуете щракване.
	Цикълът е прекъснат от отваряне на вратичката за повече от 4 секунди. Не реагира на команди. На дисплея се показва: <b>9</b> или <b>12</b> и светодиодът за Вкл./Изкл. мига бързо	Натиснете СТАРТ/Пауза и затворете вратичката в рамките на 4 секунди. Изключете уреда, като натиснете бутона ВКЛ./ИЗКЛ, включете го отново след около една минута и рестартирайте програмата. Ако проблемът не бъде отстранен, изключете уреда от щепсела за 1 минута и отново включете щепсела.
Съдомиялната машина не източва. На дисплея се показва: <b>3</b> и светодиодът за Вкл./Изкл. мига бързо	Програмата все още не е завършила.	Изчакайте програмата да завърши.
	Маркучът за източване е прегънат.	Проверете дали маркучът за източване не е прегънат (вж. ИНСТРУКЦИЯ ЗА МОНТАЖ).
	Тръбата за източване на мивката е запушена. Филтърът е запушен с остатъци от храна	Почистете тръбата за източване на мивката. Почистете филтъра (вж. ПОЧИСТВАНЕ НА ФИЛТЪРНИЯ МЕХАНИЗЪМ).
Съдомиялната създава прекомерно много шум.	Съдовете тракат един в друг.	Подредете съдовете правилно (вж. ЗАРЕЖДАНЕ НА КОШНИЦИТЕ).
	Създадо се е прекалено голямо количество пяна.	Препаратът не е измерен правилно или не е подходящ за използване в съдомиялни машини (вж. ДОПЪЛВАНЕ НА ДОЗАТОРА ЗА ПОЧИСТВАЩ ПРЕПАРАТ). Рестартирайте текущия цикъл, като изключите и отново включите съдомиялната машина, изберете нова програма, натиснете СТАРТ/Пауза и затворете вратичката в рамките на 4 секунди. Не добавяйте никакъв измиващ препарат.
Съдовете не са почистени.	Съдовете не са подредени както трябва.	Подредете съдовете правилно (вж. ЗАРЕЖДАНЕ НА КОШНИЦИТЕ).
	Разпръскващите рамене не могат да се въртят свободно, тъй като са възпрепятствани от съдовете.	Подредете съдовете правилно (вж. ЗАРЕЖДАНЕ НА КОШНИЦИТЕ).
	Цикълът на измиване е твърде лек.	Изберете подходящ цикъл на измиване (вж. ТАБЛИЦА С ПРОГРАМИ).
	Създадо се е прекалено голямо количество пяна.	Препаратът не е измерен правилно или не е подходящ за използване в съдомиялни машини (вж. ДОПЪЛВАНЕ НА ДОЗАТОРА ЗА ПОЧИСТВАЩ ПРЕПАРАТ).
	Капачката на отделението за помощно средство за изплакване не е затворена правилно.	Уверете се, че капачката на дозатора за помощно средство за изплакване е затворена.
	Филтърът е замърсен или запушен. Няма сол.	Почистете филтърния механизъм (вж. ГРИЖА И ПОДДРЪЖКА). Допълнете резервоара за сол (вж. ДОПЪЛВАНЕ НА РЕЗЕРВОАРА ЗА СОЛ).
Съдомиялната машина не зарежда вода. На дисплея се показва: <b>H, 6</b> и светодиодът за Вкл./Изкл. мига бързо	Не се подава вода или кранът е затворен.	Уверете се, че се подава вода или кранът е отворен.
	Маркучът за подаване на вода е прегънат.	Уверете се, че маркучът за подаване на вода не е прегънат (вижте ИНСТАЛИРАНЕ), включете нова програма на съдомиялната и я рестартирайте.
	Мрежестият филтър в маркуча за подаване на вода е запушен; необходимо е да го почистите.	След изпълняване на проверката и почистването изключете и включете съдомиялната машина и рестартирайте нова програма.
Съдомиялната машина спира цикъла преждевременно. На дисплея се показва: <b>15</b> и светодиодът за Вкл./Изкл. мига бързо	Маркучът за източване е поставен твърде ниско или водата се източва в домашната канализационна система.	Проверете дали крайта на маркуча за източване е поставен на правилната височина (вижте ИНСТАЛИРАНЕ). Проверете за източване в домашната канализационна система и ако е необходимо, монтирайте въздушен вентил.
	Въздух в системата за подаване на вода.	Проверете системата за подаване на вода за течове или други проблеми, водещи до навлизане на въздух.
Изтичането на детергент.	Зависи от използвания течен детергент и може да бъде подчертано в случай на активирана опция за забавяне.	Малките течове няма да доведат до неизправност на машината и могат да бъдат избегнати, като се промени видът на течния перилен препарат или се използват таблетки.

## Фирмени политики, стандартна документация, поръчка на резервни части и допълнителна информация за продукти можете да намерите на:

- Използване на QR кода на Вашия уред.
- Посетете нашия уебсайт [docs.whirlpool.eu/docs](https://docs.whirlpool.eu/docs) и [parts-selfservice.europeanappliances.com](https://parts-selfservice.europeanappliances.com)
- Като алтернатива можете да се свържете с отдела за следпродажбено обслужване (вижте телефонния номер в гаранционната книжка). При контакт с отдела за следпродажбено обслужване на клиенти съобщавайте кодовете, посочени на заводската табелка на Вашия уред.

Информацията за модела може да бъде извлечена чрез сканиране на QR кода на етикетата за енергийния клас. На етикетата също така е даден идентификатор на модела, който може да се използва за достъп до портала на регистъра на адрес <https://eprel.ec.europa.eu>.



# PŘÍRUČKA PRO KAŽDODENNÍ POUŽITÍ



DĚKUJEME VÁM, ŽE JSTE SI ZAKOUPILI VÝROBEK ZNAČKY WHIRLPOOL. Pro získání komplexnější asistence zaregistrujte prosím svůj spotřebič na: [www.whirlpool.eu/register](http://www.whirlpool.eu/register)



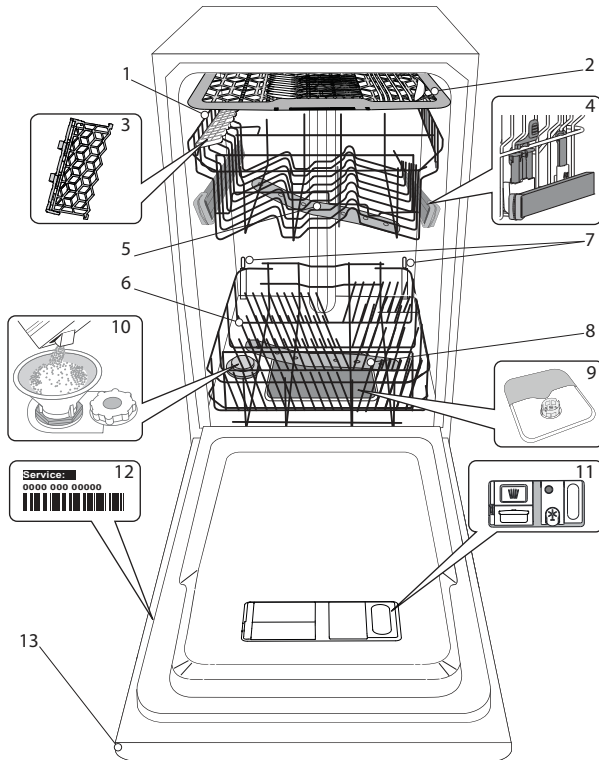
Před použitím spotřebiče si pečlivě přečtěte Bezpečnostní pokyny.

PRO ZÍSKÁNÍ PODROBNĚJŠÍCH  
INFORMACÍ NASKENUJTE PROŠÍM  
QR KÓD NA VAŠEM SPOTŘEBIČI.



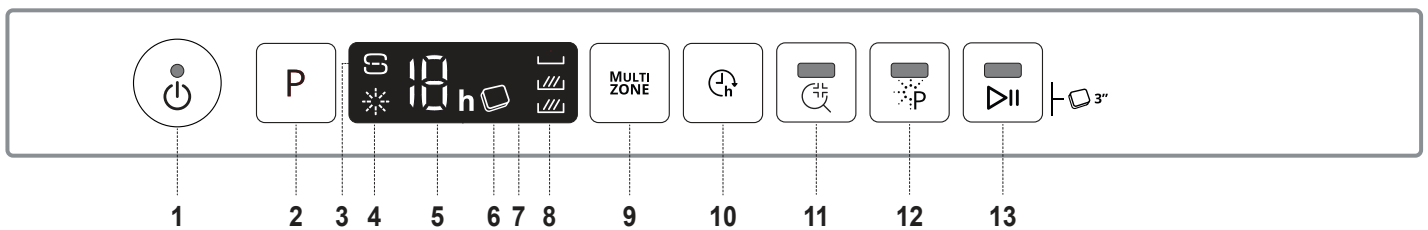
## POPIS SPOTŘEBIČE

### SPOTŘEBIČ



1. Horní koš
2. Příborová zásuvka
3. Sklopné klapky
4. Výškové nastavení horního koše
5. Horní ostříkovací rameno
6. Dolní koš
7. Podpora Power Clean®
8. Dolní ostříkovací rameno
9. Sestava filtru
10. Zásobník na sůl
11. Dávkače mycího prostředku a leštidla
12. Typový štítek
13. Ovládací panel

### OVLÁDACÍ PANEĽ



1. Tlačítko „zapnout-vypnout/vynulovat“ s kontrolkou
2. Tlačítko volby programu
3. Kontrolka „Doplnění soli“
4. Kontrolka „Nedostatek leštidla“
5. Ukazatel čísla programu a indikátor doby zpoždění
6. Kontrolka „Prášek/Tableta“ (Tab)
7. Displej
8. Kontrolka „Multizone“
9. Tlačítko „Multizone“
10. Tlačítko „Odložený start“
11. Tlačítko „Hygienický Oplach“ s kontrolkou
12. Tlačítko „Power Clean®“ s kontrolkou
13. Tlačítko „SPUSTIT/Pauza“ s kontrolkou/„Tableta“ (Tab)

# PRVNÍ POUŽITÍ SŮL, LEŠTIDLO A MYCÍ PŘÍPRAVEK

## RADY PRO PRVNÍ POUŽITÍ

Po instalaci odstraňte zarážky z košů a pružné upevňovací prvky z horního koše.

## NAPLNĚNÍ ZÁSObNÍKU SOLI

Použití soli vede k předcházení usazování VODNÍHO KAMENE na nádobí a funkčních součástech myčky.

### • ZÁSObNÍK NA SŮL nesmí NIKDY ZŮSTAT PRÁZDNY.

- Nastavení tvrdosti vody je důležité.

Zásobník na sůl se nachází ve spodní části myčky (viz POPIS SPOTŘEBIČE) a je nutné jej naplnit, když se na ovládacím panelu rozsvítí kontrolka DOPLNĚNÍ SOLI S.



1. Vytáhněte spodní koš a odšroubujte víčko zásobníku (proti směru hodinových ručiček).
2. Následující kroky provádějte pouze při prvním použití: Naplňte zásobník soli vodou.
3. Umístěte trychtýř (viz obrázek) a naplňte zásobník soli až po okraj (přibližně 1 kg); odtékání určitého množství vody je přítom normální.
4. Vyměňte trychtýř a otřete z otvoru přebytečnou sůl.

Ujistěte se, že je víčko pevně dotaženo, aby se do zásobníku nedostal při mytí žádný mycí prostředek (to by mohlo vést k neopravitelnému poškození změkčovače vody).

**Pokud potřebujete doplnit sůl, je nutné tento proces dokončit před začátkem mycího cyklu, aby se předešlo korozi.**

## NASTAVENÍ TVRDOSTI VODY

Abyste mohli změkčovač vody řádně fungovat, je nezbytné nastavit tvrdost vody podle skutečných hodnot platných pro vodu ve vašem domě. Informaci o tvrdosti vody v řadě získáte od místního dodavatele vody.

Tovární nastavení určuje implicitní nastavení hodnoty pro tvrdost vody.

- Zapněte spotřebič stiskem tlačítka „ZAPNOUT/VYPNOUT“.
- Vypněte spotřebič stiskem tlačítka „ZAPNOUT/VYPNOUT“.
- Podržte tlačítko **P** stisknuté po dobu 5 sekund, dokud neuslyšíte pípnutí.
- Zapněte spotřebič stiskem tlačítka „ZAPNOUT/VYPNOUT“.
- Aktuální nastavení úrovně a kontrolka soli blikají.
- Stiskněte tlačítko **P** pro výběr požadované úrovně tvrdosti vody (viz TABULKA TVRDOSTI VODY).

Tabulka tvrdosti vody			
Stupeň	°dH Německé stupně	°fH Francouzské stupně	°Clark Anglické stupně
1	Měkká	0 - 6	0 - 10
2	Střední	7 - 11	11 - 20
3	Středně tvrdá	12 - 16	21 - 29
4	Tvrdá	17 - 34	30 - 60
5	Velmi tvrdá	35 - 50	61 - 90

- Vypněte spotřebič stiskem tlačítka „ZAPNOUT/VYPNOUT“.

Nastavení je hotové!

Po dokončení tohoto úkonu spusťte mycí program naprázdno (bez nádobí).

## Používejte výhradně sůl určenou pro myčky nádobí.

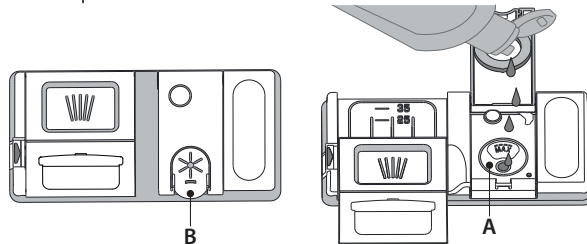
Poté, co do myčky nasypete sůl, zhasne kontrolka „DOPLNĚNÍ SOLI“.

**Pokud není zásobník na sůl doplněn, může to vést k poškození změkčovače vody a topného tělesa v důsledku nahromadění vodního kamene.**

**Sůl doporučujeme používat s každým typem prostředku na mytí nádobí.**

## DOPLNĚNÍ DÁVKOVAČE LEŠTIDLA

Díky leštidlu nádobí lépe schne. Zásobník leštidla **A** by měl být doplněn pokaždé, když se na ovládacím panelu rozsvítí kontrolka „NEDOSTATEK LEŠTIDLA“ ✨.



1. Stlačením a zatažením páčky na víku zásobník **B** otevřete.
  2. Opatrně nalijte leštidlo až po maximální hodnotu (110ml) vyznačenou ryskou v hrdle zásobníku – zabraňte jeho přelití. Pokud dojde k rozliti, setřete tekutinu okamžitě suchým hadrem.
  3. Stiskněte víčko, dokud se s cvaknutím nezavře.
- NIKDY nelijte leštidlo přímo do myčky.**

## NASTAVENÍ DÁVKOVÁNÍ LEŠTIDLA

Nejste-li plně spokojeni s výsledky sušení, můžete nastavit množství použitého leštidla.

- Zapněte spotřebič stiskem tlačítka „ZAPNOUT/VYPNOUT“.
- Vypněte jej stiskem tlačítka „ZAPNOUT/VYPNOUT“.
- Stiskněte tlačítko **P** třikrát a uslyšíte pípnutí.
- Zapněte spotřebič stiskem tlačítka „ZAPNOUT/VYPNOUT“.
- Aktuální nastavení a kontrolka leštidla blikají.
- Stiskem tlačítka **P** zvolte úroveň dávkování leštidla.
- Vypněte jej stiskem tlačítka „ZAPNOUT/VYPNOUT“.

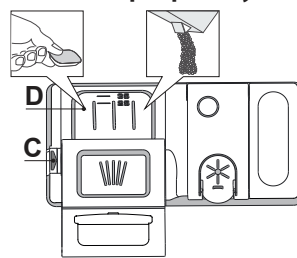
Nastavení je hotové!

Je-li úroveň dávkování leštidla nastavena na „NULA“ (EKO), nebude dávkováno žádné leštidlo. Dojde-li leštidlo, kontrolka „NEDOSTATEK LEŠTIDLA“ se nerozsvítí. V závislosti na konkrétním modelu myčky lze nastavit maximálně 5 úrovně. Tovární nastavení je specifické pro daný model. Řiďte se prosím výše uvedeným pokynem, abyste ověřili konkrétní nastavení vaší myčky.

- Pokud jsou na nádobí patrné modravé odlesky, nastavte nízké hodnoty (1-2).
- Jsou-li na nádobí stopy vodního kamene, nastavte vyšší číslo (3-4).

## DOPLNĚNÍ DÁVKOVAČE MYCÍHO PROSTŘEDKU

**K otevření zásobníku mycího prostředku použijte otevírací prvek C. Dávkujte mycí prostředek výhradně do suchého zásobníku D. Prostředek pro předmytí dávkujte přímo do prostoru myčky.**



1. Při dávkování mycího prostředku se řiďte předchozími pokyny, abyste odměřili správné množství. Uvnitř zásobníku **D** se nacházejí značky, které pomohou při dávkování mycího prostředku.
2. Odstraňte zbytky mycího prostředku z okraje zásobníku a pak jej zavřete tak, aby bylo slyšet cvaknutí.
3. Tahem zavřete víčko zásobníku mycího prostředku, dokud zavírací prvek nezapadne na své místo.

Zásobník se automaticky otevře v pravou chvíli v závislosti na použitém programu.

Používáte-li tablety typu „vše v jednom“, doporučujeme stisknout tlačítko **TABLETA**, čímž se program přizpůsobí, aby bylo možno dosáhnout ideálních mycích výsledků.

**Použití čistícího prostředku, který není určený pro myčky nádobí, může způsobit nesprávný chod nebo poškození spotřebiče.**

# TABULKA PROGRAMŮ

Program	Fáze sušení	NaturalDry	Dostupné funkce *)	Délka mycího programu (h:min)**	Spotřeba vody (litry/cyklus)	Spotřeba energie (kWh/cyklus)
1. „Úsporný program“ Eco 50°	✓	✓	MULTI ZONE	3:40	9,0	0,67
2. 6 <sup>th</sup> Sense® 6 <sup>th</sup> sense 50-60°	✓	✓	MULTI ZONE	1:20 - 3:00	7,0 - 14,0	0,70 - 1,10
3. Intenzivní 	✓	✓	MULTI ZONE	2:45	17,5	1,60
4. Rychlé mytí a sušení 	✓	✓	MULTI ZONE	1:25	11,5	1,10
5. Křišťál 	✓	✓	MULTI ZONE	1:40	12,0	1,20
6. Rychlý 30' 	-	✓	MULTI ZONE	0:30	9,0	0,50
7. Předmytí 	-	-	MULTI ZONE	0:10	4,5	0,01
8. Autočištění 	-	-		0:50	8,0	0,85

Údaje pro „ÚSPORNÝ PROGRAM“ jsou měřeny v laboratorních podmínkách podle pokynů evropské normy EN 60436:2020.

Poznámka pro zkušební laboratoře: Pro informace o zkušebních podmínkách srovnávací zkoušky EN napište na adresu: [dw\\_test\\_support@europeanappliances.com](mailto:dw_test_support@europeanappliances.com)

Žádný z programů nevyžaduje jakékoli předchozí ošetření nádobí.

\*) Ne všechny možnosti lze používat zároveň.

\*\*\*) Hodnoty uvedené pro ostatní programy kromě Eco jsou pouze přibližné. Skutečná doba se může lišit v závislosti na mnoha vlivech, jako je např. teplota, tlak vstupní vody, teplota okolí, množství mycího prostředku, množství a typ nádobí, vyvážení nádobí, zvolené doplňkové možnosti a kalibrace snímačů. Kalibrace snímačů může program prodloužit až o 20min.

## POPIS PROGRAMŮ

### Pokyny pro výběr mycího cyklu.

#### 1 „ÚSPORNÝ PROGRAM“

Program ECO je vhodný k mytí běžně zašpiněného nádobí, který je pro tento účel nejvýhodnějším programem s ohledem na spotřebu energie a vody a který se využívá k vyhodnocení shody spotřebiče s předpisy Ecodesign EU.

#### 2 6<sup>th</sup> SENSE®

Pro běžně zašpiněné nádobí se zaschlými nečistotami. Myčka zjistí úroveň zašpinění nádobí a odpovídajícím způsobem nastaví program. Když senzor snímá úroveň znečištění nádobí, na displeji se zobrazí odpovídající symbol a aktualizuje se délka cyklu.

#### 3 INTENZIVNÍ

Program doporučený pro velmi špinavé nádobí, hlavně hrnce a pánve (nepoužívat lina jemné nádobí).

#### 4 RYCHLÉ MYTÍ A SUŠENÍ

Běžně zašpiněné nádobí. Běžný každodenní program zajišťující optimální účinnost mytí a sušení v kratším čase.

#### 5 KŘIŠTÁL

Program pro choulostivé nádobí, které je citlivější na vysoké teploty, jako jsou například sklenice a hrnky.

#### 6 RYCHLÝ 30'

Program určený pro poloviční náplň lehce zašpiněného nádobí bez zaschlých zbytků. Nezahrnuje fázi sušení.

#### 7 PŘEDMYTÍ

Používejte pro opláchnutí nádobí, které plánujete mýt později. V tomto programu se nepoužívá žádný mycí prostředek..

#### 8 AUTOČIŠTĚNÍ

Program slouží k údržbě myčky nádobí. Spouštějte pouze v případě, že je myčka PRÁZDNÁ a s použitím speciálního čisticího prostředku určeného k údržbě myčky.

#### Poznámka:

Upozorňujeme, že cyklus Rychlý 30' je určený pro mírně zašpiněné nádobí.

# MOŽNOSTI A FUNKCE

MOŽNOSTI lze volit přímo stiskem příslušného tlačítka (viz OVLÁDACÍ PANEL).

**Není-li možnost kompatibilní se zvoleným programem (viz TABULKA PROGRAMŮ), příslušná kontrolka třikrát rychle zabliká a ozve se zvukové znamení. Možnost nebude zvolena.**

## MULTI ZONE MULTIZONE

Pokud je k mytí pouze malé množství nádobí, lze využít funkci „Poloviční náplň“ šetřící elektrickou energii, vodu a mycí prostředek. Vyberte program a stiskněte tlačítko „MULTIZONE“: na displeji se zobrazí symbol zvoleného koše. Ve výchozím nastavení myčka myje nádobí ve všech koších. Chcete-li provést mytí pouze ve zvoleném koši, stiskněte opakovaně toto tlačítko:



zobrazeno na displeji (pouze dolní koš)



zobrazeno na displeji (pouze horní koš)



zobrazeno na displeji (pouze příhrádka na příbory);



zobrazeno na displeji (zvolená možnost je VYPNUTO a myčka bude myt nádobí ve všech koších).

**Nezapomeňte nejprve vždy zcela naplnit pouze horní nebo dolní koš a přiměřeným způsobem snížit množství dávkovaného mycího prostředku.**

**Pokud je horní koš vyjmutý, aplikujte mycí prostředek přímo do prostoru myčky namísto do zásobníku.**



## ODLOŽENÝ START

Spuštění programu lze odložit o 1 až 12 hodin.

1. Stiskněte tlačítko „ODLOŽENÝ START“. Na displeji se objeví příslušný „h“ symbol; každým stiskem tlačítka se prodlužuje doba odložení začátku mycího programu (1 h, 2 h atd. až do max. 12 h).
2. Zvolte mycí program, stiskněte tlačítko „SPUSTIT/Pauza“ a do 4 sekund zavřete dvířka: časovač začne odpočítávat.
3. Po vypršení stanoveného času světelná kontrolka „h“ zhasne a mycí program se automaticky spustí.

Chcete-li upravit dobu odloženého startu a zvolit kratší, stiskněte tlačítko „Odložený start“. Pro zrušení stiskněte tlačítko opakovaně, dokud nezhasne kontrolka „ODLOŽENÝ START“ „h“.

**Funkci „ODLOŽENÝ START“ nelze zvolit, pokud již program běží.**



## „PRÁŠEK/TABLETA“

Toto nastavení vám umožňuje přizpůsobit průběh programu typu použitého mycího prostředku.

Stiskněte tlačítko „SPUSTIT/Pauza“ na 3 sekundy (rozsvítí se příslušný symbol), používáte-li kombinované mycí prostředky ve formě tablet (leštidlo, sůl a mycí prostředek v jedné dávce).

**Používáte-li mycí prostředek v prášku, měla by být tato možnost vypnuta.**



## POWER CLEAN®

Tato funkce umožňuje intenzivnější a výkonnější mytí v určité oblasti dolního koše. Používá k tomu dodatečné vodní trysky. Tato funkce se doporučuje pro mytí rendlíků a hrnců. Stisknutím tohoto tlačítka aktivujete funkci „POWER CLEAN“ (rozsvítí se kontrolka).



## HYGIENICKÝ OPLACH

Tuto volbu lze použít pro hygienické vyčištění již umytého nádobí.

Zvýší teplotu vody posledního oplachu a k zvolenému programu přidá funkci antibakteriálního mytí.

Vyberte program a stiskněte tlačítko „HYGIENICKÝ OPLACH“. Rozsvítí se kontrolka. Možnost zrušíte opětovným stisknutím tlačítka. Ideální k mytí čistého nádobí a dětských lahviček. Dvířka myčky musí být po celou délku programu zavřená, aby mohlo dojít ke zničení choroboplodných zárodků. Jestliže dvířka otevřete, kontrolka začne blikat.

**VAROVÁNÍ: Nádobí a stěny mohou být na konci programu velmi horké.**



## INDIKÁTOR PROVOZU

Kontrolka LED svítící na podlahu indikuje, že myčka nádobí je v provozu. Je možno zvolit jeden z následujících režimů:

- a) Funkce vypnutá.
- b) Po začátku cyklu se světlo rozsvítí na několik sekund, v průběhu cyklu je zhasnuté a zabliká na konci cyklu..
- c) Světlo svítí po celou dobu cyklu a bliká na jeho konci (výchozí režim).

Pokud byl nastaven odložený start, rozsvítí se světlo buď na prvních několika sekund, nebo svítí po celou dobu odpočítávání, a to v závislosti na tom, zda byl nastaven režim b), nebo c).

Světlo se rozsvítí při každém otevření dveří. Pro výběr zvoleného režimu zapněte spotřebič a držte stisknuté tlačítko **P**, dokud se na displeji nezobrazí jedno ze tří písmen, stisknutím tlačítka **P** následně zvolte písmeno označující vybraný režim a přidržetím tlačítka **P** výběr potvrďte.

**Poznámka: Pokud je aktivní NaturalDry a dojde k otevření dveří, nebude na konci cyklu blikat indikátor stavu.**

## NaturalDry

„NaturalDry“ je založen na konvenčním způsobu sušení, kdy se automaticky otevírají dvířka během/po ukončení fáze sušení, aby byl zajištěn každodenní mimořádný sušící výkon. Dvířka se otevrou při teplotě, která je bezpečná pro váš kuchyňský nábytek. Neotevřou se tedy v případě, pokud jste zapnuli možnost o „HYGIENICKÝ OPLACH“.

Jako doplňkovou ochranu proti horké páře dodáváme k myčce speciálně navrženou ochrannou fólii. Pro informace, jak postupovat při instalaci ochranné fólie, nahlédněte prosím do INSTALAČNÍ PŘÍRUČKY.

Funkci systému otevírání dvířek „NaturalDry“ může uživatel deaktivovat následovně:

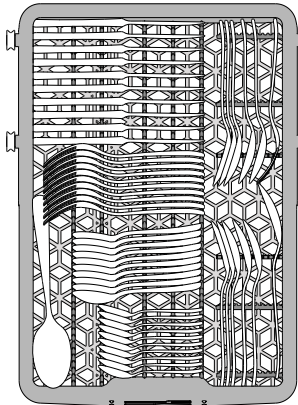
1. Stiskem a podržením tlačítka **P** (6 sekund) přejdete do softwarové nabídky „Myčka“.
2. Nyní se nacházíte v nabídce „Ovládání osvětlení“ (přečtěte si prosím popis „INDIKÁTOR PROVOZU“). Pokud si nepřejete nic měnit, stiskněte a podržte prosím tlačítko **P** (dokud se jedno z obou písmen nezobrazí na displeji).
3. Přepnuli jste do nabídky „Ovládání systému „NaturalDry“ (systém otevírání dvířek) a můžete změnit status funkce „NaturalDry“, a to stiskem tlačítka **P**:

**E** – aktivováno                      **d** – deaktivováno

Pro potvrzení změny a opuštění této nabídky ovládání prosím stiskněte a podržte tlačítko **P** (3 sekundy).

# PLNĚNÍ KOŠŮ

## ZÁSUVKA NA PŘÍBORY

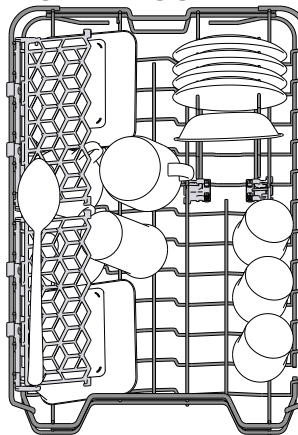


Třetí koš je určen na příbory. Příbory ukládejte tak, jak je znázorněno na obrázku.

Oddělené umístění příborů usnadňuje jejich pozdější úklid a zlepšuje sušení.

**Nože a další ostré nástroje musí být umístěny ostrým dolů.**

## HORNÍ KOŠ



(příklad naplnění horního koše)

Sem vkládejte jemné a lehké nádobí: sklenice, hrnky, tácky a mělké salátové mísy.

Horní koš je vybaven opěrkami, které lze ve svislé poloze použít k umístění podšálků a dezertních talířů, nebo v nižší poloze k umístění misek a nádob na potraviny.

## NASTAVENÍ VÝŠKY HORNÍHO KOŠE

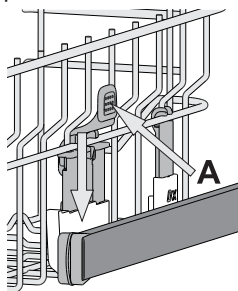
Výšku horního koše lze nastavit: Při umístění do vyšší polohy lze do spodního koše vkládat objemnější kusy, v nižší poloze pak lze nejlépe využít sklopných opěrek – v horní části se tak vytvoří větší prostor a předejde se kolizím s předměty uloženými ve spodním koši.

Horní koš je vybaven **zařízením pro nastavení výšky horního koše** (viz obr.), bez nutnosti používat páky. Stačí koš prostě zvednout za strany, dokud nezapadne do stabilní horní polohy.

Pro návrat koše zpět do dolní polohy stiskněte páky **A** po stranách koše a zatlačte koš dolů.

**Důrazně doporučujeme neměnit polohu koše, je-li plný.**

**NIKDY nesnižujte ani nezvyšujte polohu koše pouze na jedné straně.**



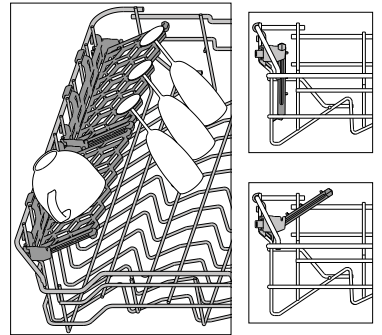
## SKLOPNÉ OPĚRKY S NASTAVITELNOU POLOHOU

Postranní sklopné opěrky lze sklopit nebo vyklopit za účelem lepšího uspořádání nádobí v koši.

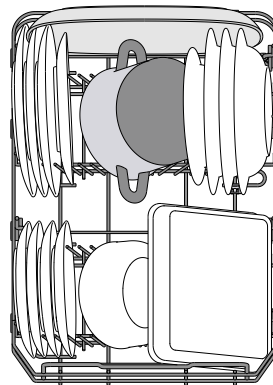
Do sklopných opěrek je možno bezpečně umístit sklenice na víno, a to tak, že stopku každé z nich opřeme do příslušného vybrání.

Podle modelu:

- vyklopení opěrek: je třeba je posunout nahoru a otočit jimi nebo je uvolnit z příchytěk a zatáhnout směrem dolů;
- sklopení opěrek: je třeba jimi otočit a posunout je dolů, nebo je vytáhnout směrem nahoru a připnout do příchytěk.



## DOLNÍ KOŠ



(příklad plnění dolního koše)

Je určen na hrnce, tácy, talíře, salátové mísy, příbory atd. Velké talíře a poklice by měly být umístěny po stranách, aby nedošlo ke kontaktu s ostříkovacími rameny.

Dolní koš je vybaven opěrkami, které lze ve svislé poloze použít k umístění talířů nebo v horizontální (dolní) poloze ke snadnému umístění hrnců a salátových misek.

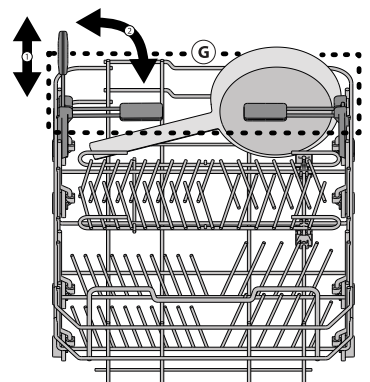
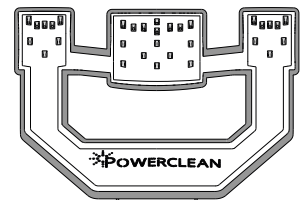
## FUNKCE „POWER CLEAN“ VE SPODNÍM KOŠI

Při funkci „Power Clean“ se používají speciální proudy vody v zadní části myčky k intenzivnějšímu mytí velmi špinavého nádobí. Dolní koš je vybaven zařízením Space Zone, speciální výsuvnou opěrkou v zadní části koše, kterou lze použít k opření pánví či pekáčů ve svislé poloze, kdy zabírají méně místa.

Umístěte hrnce a kastroly proti ústí Power Clean® a aktivujte funkci **POWER CLEAN** na panelu.

Jak používat funkci „Power Clean“:

1. Upravte prostor (G) pro účinné mytí „Power Clean“ sklopením zadních držáků talířů. Tím uvolníte prostor pro hrnce.
2. Hrnce a kastroly položte svisle do prostoru „Power Clean“. Hrnce je třeba naklonit směrem k vodním tryskám.



# DENNÍ POUŽÍVÁNÍ

## 1. ZKONTROLUJTE PŘIPOJENÍ K VODOVODNÍ SÍTI

Zkontrolujte, zda je myčka připojena k vodovodní síti a zda je vodovodní kohoutek otevřený.

## 2. ZAPNĚTE MYČKU

Otevřete dvířka a stiskněte tlačítko „ZAPNOUT/VYPNOUT“.

## 3. VLOŽTE NÁDOBÍ (viz PLNĚNÍ KOŠŮ)

## 4. PLNĚNÍ DÁVKOVAČE MYČÍHO PROSTŘEDKU

## 5. VYBERTE PROGRAM A PŘÍZPUSOBTE CYKLUS

Vyberte nejvhodnější program vzhledem k druhu nádobí a míře jeho zašpinění (viz *POPIS PROGRAMŮ*) pomocí tlačítka **P**. Vyberte požadované možnosti (viz *MOŽNOSTI A FUNKCE*).

## 6. START

Mycí cyklus spustíte stiskem tlačítka **SPUSTIT/Pauza** (led kontrolka svítí) s následným uzavřením dvířek do 4 sekund. Jakmile program začne, uslyšíte jedno pípnutí. Pokud dvířka nejsou do 4 sekund uzavřena, rozezní se výstražné upozornění. V takovém případě je otevřete, stiskněte tlačítko **SPUSTIT/Pauza** a znovu je uzavřete s dodržением 4 sekundového časového limitu.

## 7. KONEC MYČÍHO CYKLU

Konec mycího cyklu je indikován pípnutím a blikáním čísla mycího cyklu na displeji. Otevřete dvířka a vypněte spotřebič stiskem tlačítka „ZAPNOUT/VYPNOUT“.

Před vyklizením nádobí chvíli počkejte, předejdete tak popálení. Vyklidte nádobí z košů – začněte spodním.

**Spotřebič se při delší nečinnosti vypne, aby tak šetřil elektrickou energii. Je-li nádobí znečištěno pouze lehce nebo bylo-li před umístěním do myčky opláchnuto, snižte přiměřeně dávkování mycího prostředku.**

## MODIFIKACE BĚŽÍCÍHO PROGRAMU

Došlo-li k výběru nesprávného programu, je možné jej změnit za předpokladu, že od jeho spuštění uplynula pouze krátká chvíle: otevřete dvířka, stiskněte a podržte tlačítko „ZAPNOUT/VYPNOUT“ a spotřebič se vypne.

Stisknutím tlačítka „ZAPNOUT/VYPNOUT“ spotřebič opět zapnete a zvolte nový mycí program spolu s požadovanými možnostmi. Mycí cyklus spustíte stiskem tlačítka **SPUSTIT/Pauza** (rozsvítí se kontrolka) s následným uzavřením dvířek do 4 sekund.

## PŘIDÁNÍ DALŠÍHO NÁDOBÍ

Aniž byste spotřebič vypínali, otevřete dvířka (rozblíká se led kontrolka **SPUSTIT/Pauza** (**budte opatrní na HORKOU páru!**)) a vložte nádobí do myčky. Stiskněte tlačítko **SPUSTIT/Pauza** a do 4 sekund uzavřete dvířka. Cyklus se opětovně spustí od místa, ve kterém byl přerušen.

## NÁHODNÁ PŘERUŠENÍ

Dojde-li v průběhu mycího cyklu k otevření dvířek nebo výpadku elektrického napájení, cyklus se zastaví. Stiskněte tlačítko **SPUSTIT/Pauza** a do 4 sekund uzavřete dvířka. Cyklus se opětovně spustí od místa, ve kterém byl přerušen.

# DOPORUČENÍ A TYPY

## RADY

Před plněním košů odstraňte z nádobí všechny zbytky jídel a vyprázdněte sklenice. **Nádobí není třeba oplachovat pod tekoucí vodou.**

Uspořádejte nádobí vmyčce tak, aby pevně leželo na místě a nepřepadávalo; nádoby vkládejte dnem vzhůru a vyduťtými vypuklými povrchy šikmo, aby voda měla přístup ke všem povrchům a zároveň mohla volně odtékat.

**Varování:** Víka, madla, podnosy a pánve nesmí bránit ostříkovacím ramenům myčky v pohybu.

Drobné předměty vkládejte do koše na příbory. Velmi znečištěné nádobí a hrnce umísťte do spodního koše, protože v této části myčky je proud vody silnější, a lze tak dosáhnout lepší výkonnosti.

Po naplnění myčky ověřte, že se ostříkovací ramena mohou volně otáčet.

## NEVHODNÉ NÁDOBÍ

- Dřevěné nádobí a příbory.
  - Jemné zdobené sklenice, umělecké, ručně vyrobené a starožitné nádobí. Jejich zdobení není dostatečně odolné.
  - Části z plastu neodolávající vysokým teplotám.
  - Měděné a cínové nádobí.
  - Nádobí zašpiněné popelem, voskem, mazacím tukem či inkoustem.
- Barva ozdob na skle a hliníkových/stříbrných kusů nádobí může během mytí vyblednout. Některé druhy skla (např. křišťálové předměty) mohou po několika mycích cyklech zmatnět.

## POŠKOZENÍ SKLA A NÁDOBÍ

- Používejte výhradně sklenice a porcelán, u nichž výrobce zaručuje možnost mytí v myčce.
- Používejte jemný mycí přípravek vhodný na porcelánové nádobí
- Vyjměte sklo a příbory z myčky hned po skončení mycího cyklu.

## TIPY K ÚSPORĚ ENERGIE

- Pokud se myčka nádobí do domácnosti používá v souladu s pokyny výrobce, je **spotřeba ENERGIE a vody při mytí nádobí v myčce NIŽŠÍ než při mytí v ruce.**
- Pro maximální úspornost myčky nádobí doporučujeme **mycí cyklus spustit až ve chvíli, kdy je myčka zcela zaplněná.** Naplnění myčky nádobí až do plné kapacity uvedené výrobcem přispívá k úspoře energie a vody. Informace o správném vkládání nádobí najdete v kapitole PLNĚNÍ KOŠŮ. V případě pouze částečného zaplnění doporučujeme použití příslušného mycího programu, je-li k dispozici (Half load / Zone Wash / Multi Zone) a plnění pouze příslušných košů. Nesprávné nebo nadměrné naplnění myčky může vést ke zvýšení spotřeby (vody, energie a času i zvýšení hlučnosti) a k snížení účinnosti mytí a sušení.
- Ruční předmyváání nádobí vede ke zvýšené spotřebě vody a energie a nedoporučujeme jej.

## HYGIENA

Aby se předešlo vzniku usazenin a zápachu v myčce, **spustte nejméně jednou měsíčně program s vysokou teplotou.** Použijte čajovou lžičku mycího prostředku a vsypte ji do prázdné myčky.

# ÚDRŽBA A ČIŠTĚNÍ

## ČIŠTĚNÍ SESTAVY FILTRU

Pravidelně čistěte sestavu filtru, aby nebyla ucpaná a voda mohla řádně odtékat.

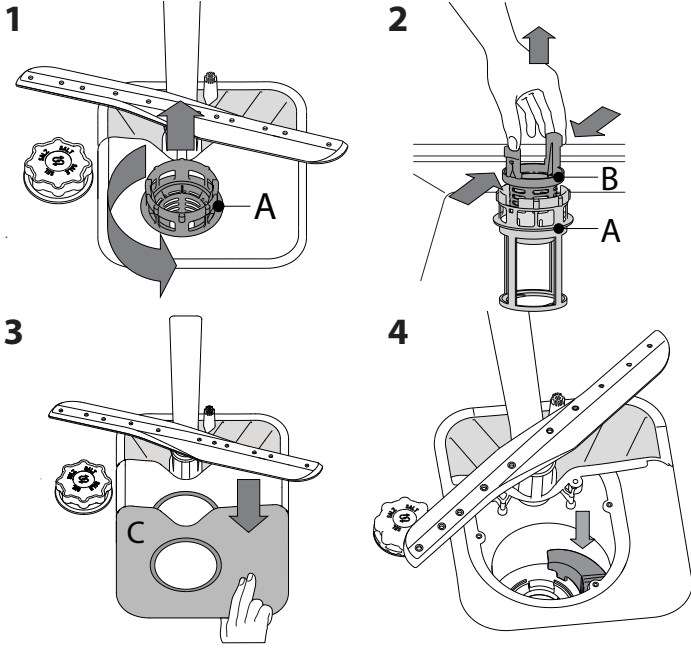
Používání myčky s ucpanými filtry nebo cizími předměty ve filtračním systému či rozstřikovačích může způsobit nesprávný chod spotřebiče, ztrátu účinnosti, hlučný chod nebo vyšší spotřebu.

Sestava filtru se skládá ze tří filtrů, které pomáhají zmycí vody odstranit zbytky potravin a umožňují její následnou recirkulaci.

**Myčka nesmí být používána bez filtrů nebo s nedotaženými filtry.**

Nejméně jednou měsíčně nebo po každých 30 cyklech zkontrolujte sestavu filtru a v případě potřeby jej důkladně vymyjte pod tekoucí vodou za pomoci nekovového kartáče podle pokynů níže:

1. Otočte válcovým filtrem **A** proti směru chodu hodinových ručiček a vyjměte jej (obr. 1).
2. Mírným tlakem na postranní klapky vyjměte miskový filtr **B** (obr. 2).
3. Vysuňte nerezový deskový filtr **C** (obr. 3).
4. Pokud naleznete cizí předměty (např. úlomky skla, porcelánu, kostí, semínka z ovoce), **opatrně je odstraňte**.
5. Prohlédněte prostor pod filtrem a odstraňte případné zbytky jídla. **NIKDY NEODSTRAŇUJTE** ochranu čerpadla mycího cyklu (detail v černé barvě) (obr. 4).



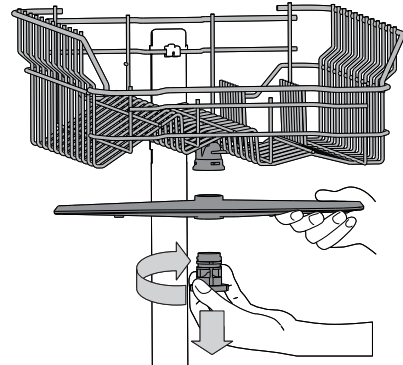
Po vyčištění filtry vraťte na jejich místo a zajistěte je; je to zásadní pro zachování funkčnosti myčky.

## ČIŠTĚNÍ PŘÍVODNÍ HADICE

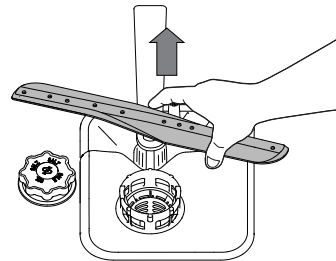
Je-li přívodní hadice nová nebo nebyla-li dlouho používána, propláchněte ji vodou a zkontrolujte, zda neobsahuje nečistoty. Teprve pak proveďte připojení. Nedodržíte-li tento postup, může dojít k ucpaní vstupu vody a poškození myčky.

## ČIŠTĚNÍ OSTŘIKOVACÍCH RAMEN

Někdy se stane, že se do ostřikovačích ramen dostane zbytek jídla a ucpe některou z jeho trysek. Doporučujeme proto občasnou kontrolu ramen a jejich vyčištění malým nekovovým kartáčkem.



Horní ostřikovačící rameno sejmete pootočením plastového upevňovacího kroužku ve směru pohybu hodinových ručiček. Horní rameno lze otočit tak, že jeho strana s větším množstvím otvorů směřuje vzhůru.



Spodní ostřikovačící rameno lze vyjmout zatažením směrem nahoru.

## SYSTÉM PRO ZMĚKČOVÁNÍ VODY

Změkčovač vody automaticky snižuje tvrdost vody, a zabraňuje tak nahromadění vodního kamene na ohříváči a přispívá k vyšší účinnosti mytí.

**Tento systém k regeneraci využívá sůl, proto je nutné doplňovat zásobník na sůl, když se vyprázdní.**



Četnost regenerace závisí na nastavení úrovně tvrdosti vody – s úrovní tvrdosti nastavené na **3** probíhá regenerace jednou za **6** Eco cyklů.

Regenerační proces se spustí po závěrečném oplachu a dokončí se během sušení před skončením cyklu.

- Spotřeba během jedné regenerace: ~ 3,5 l vody;
- Prodloužení cyklu až o 5 minut;
- Spotřeba méně než 0,005 kWh energie.

# ODSTRAŇOVÁNÍ ZÁVAD

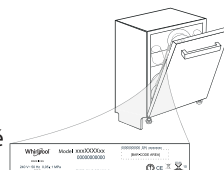
Pokud vaše myčka nádobí nefunguje správně, pokuste se problém vyřešit za pomoci informací uvedených v tomto seznamu. V případě jiných problémů nebo dotazů se obraťte na autorizovaný poprodejní servis, jehož kontaktní údaje najdete v záručním listě. Náhradní díly budou k dispozici po dobu až 7 nebo až 10 let podle konkrétních požadavků nařízení.

PROBLÉMY	MOŽNÉ PŘÍČINY	ŘEŠENÍ	
 Kontrolka soli svítí	Zásobník na sůl je prázdný. (Kontrolka soli může zůstat svítit po několika mycích cykly po doplnění).	Doplňte do zásobníku sůl (další informace viz strana 2). Nastavte tvrdost vody – viz tabulka, strana 2.	
 Kontrolka leštidla svítí	Zásobník leštidla je prázdný. (Kontrolka leštidla může zůstat svítit po několika mycích cykly po doplnění).	Doplňte do zásobníku leštidlo (další informace viz strana 2).	
Myčka se nespouští nebo nereaguje na povely.	Spotřebič není správně připojen do zásuvky.	Zasuňte zástrčku do zásuvky.	
	Výpadek proudu.	Myčka nádobí se z bezpečnostních důvodů po obnovení napájení znovu automaticky nespustí. Otevřete dvířka myčky, stiskněte tlačítko SPUSTIT/Pauza a poté dvířka do 4 sekund znovu zavřete.	
	Dveře myčky nejsou dobře zavřené. Kolík <i>NaturalDry</i> není zatažen.	Důkladně zavřete dveře, dokud neuslyšíte „cvaknutí“.	
	Cyklus byl přerušen otevřením dveří na více než 4 sekundy.	Stiskněte tlačítko SPUSTIT/Pauza a do 4 sekund zavřete dvířka myčky.	
Myčka nereaguje na povely. Na displeji se zobrazuje: <b>9</b> nebo <b>12</b> a kontrolka „ZAPNOUT/VYPNOUT“ rychle bliká.	Myčka nereaguje na povely. Na displeji se zobrazuje: <b>9</b> nebo <b>12</b> a kontrolka „ZAPNOUT/VYPNOUT“ rychle bliká.	Vypněte spotřebič stisknutím tlačítka „ZAPNOUT/VYPNOUT“ a po cca jedné minutě jej znovu zapněte a restartujte program. Pokud problém přetrvává, spotřebič na 1 minutu odpojte od napájení a poté jej znovu zapojte	
	Myčka nevy pouští vodu. Na displeji se zobrazuje: <b>3</b> a kontrolka „ZAPNOUT/VYPNOUT“ rychle bliká.	Ještě neskončil mycí cyklus. Vypouštěcí hadice je ohnutá. Odpad dřezu je ucpaný. Filtr je ucpaný zbytky jídla.	Počkejte, dokud mycí cyklus neskončí. Zkontrolujte, zda vypouštěcí hadice není ohnutá (viz <b>NÁVOD K INSTALACI</b> ). Vyčistěte odtok dřezu. Vyčistěte filtr (viz <b>ČIŠTĚNÍ SESTAVY FILTRU</b> ).
	Myčka je příliš hlučná.	Nádobí na sebe naráží. Vzniká nadměrné množství pěny.	Nádobí správně rozmístěte (viz <b>PLNĚNÍ KOŠŮ</b> ). Mycí prostředek nebyl správně nadávkován nebo není vhodný pro použití v myčkách nádobí (viz <b>PLNĚNÍ ZÁSOBNÍKU MYCÍHO PROSTŘEDKU</b> ). Restartujte aktuální cyklus vypnutím a opětovným zapnutím myčky. Poté zvolte nový program, stiskněte tlačítko SPUSTIT/Pauza a během 4 sekund zavřete dvířka. Nepřidávejte prosím žádný mycí prostředek.
	Nádobí není umyté.	Nádobí nebylo v myčce správně uspořádáno. Ostříkovačí ramena se nemohou volně otáčet – brání jim nádobí. Mycí cyklus je příliš jemný. Vzniká nadměrné množství pěny. Víčko zásobníku leštidla není dobře uzavřeno. Filtr je znečištěný či ucpaný. Došla sůl.	Nádobí správně rozmístěte (viz <b>PLNĚNÍ KOŠŮ</b> ). Nádobí správně rozmístěte (viz <b>PLNĚNÍ KOŠŮ</b> ). Vyberte vhodný mycí cyklus (viz <b>TABULKA PROGRAMŮ</b> ). Mycí prostředek nebyl správně nadávkován nebo není vhodný pro použití v myčkách nádobí (viz <b>PLNĚNÍ ZÁSOBNÍKU MYCÍHO PROSTŘEDKU</b> ). Přesvědčte se, že je víčko na zásobníku leštidla dobře zavřené. Vyčistěte sestavu filtrů (viz <b>PÉČE A ÚDRŽBA</b> ). Doplňte zásobník na sůl (viz <b>DOPLŇOVÁNÍ ZÁSOBNÍKU NA SŮL</b> ).
Myčka nenapouští vodu. Na displeji se zobrazuje: <b>H, 6</b> a kontrolka „ZAPNOUT/VYPNOUT“ rychle bliká.	V potrubí není voda nebo je uzavřený přívodní ventil.	Zkontrolujte, zda je v potrubí voda a zda je otevřený přívodní ventil.	
	Přívodní hadice je ohnutá. Sítko v přívodní hadici je ucpané; je třeba jej vyčistit.	Zajistěte, aby přívodní hadice nebyla ohnutá (viz <b>INSTALACE</b> ), nastavte nový program a spusťte myčku znovu. Po kontrole a vyčištění vypněte a opět zapněte myčku a spusťte nový program.	
Myčka nádobí ukončila cyklus předčasně. Na displeji se zobrazuje: <b>15</b> a kontrolka „ZAPNOUT/VYPNOUT“ rychle bliká.	Vypouštěcí hadice je umístěna příliš nízko či dochází k vypouštění do domácího kanalizačního systému.	Zkontrolujte, je-li vypouštěcí hadice umístěna ve správné výšce (viz <b>INSTALACE</b> ). Zkontrolujte, zda nedochází k vypouštění do domácího kanalizačního systému a v případě potřeby nainstalujte vzduchovou klapku.	
	Vzduch v přívodní hadici.	Zkontrolujte, zda z přívodní hadice neuniká voda nebo jestli nevykazuje jiné narušení, které by mohlo způsobovat vnikání vzduchu.	
Únik pracího prostředku.	Závisí na použitém tekutém pracím prostředku a může být zdůrazněn v případě aktivace funkce zpoždění.	Drobné úniky nezpůsobí poruchu stroje a lze jim předejít změnou typu tekutého mycího prostředku nebo použitím tablet.	

**Firemní zásady, standardní dokumentaci, objednávky náhradních dílů a další informace o výrobku získáte:**

- Použití QR kódu na produktu.
- Návštěvou našeho webu [docs.whirlpool.eu/docs](https://docs.whirlpool.eu/docs) a [parts-selfservice.europeanappliances.com](https://parts-selfservice.europeanappliances.com)
- Případně **kontaktujte náš poprodejní servis** (telefonní číslo najdete v záručním listě).

Při kontaktování našeho poprodejního servisu prosím uveďte kódy na identifikačním štítku produktu. Informace o modelu získáte přes QR kód na energetickém štítku. Na štítku rovněž najdete identifikační číslo modelu, které můžete použít k vyhledávání v rejstříku na portálu <https://eprel.ec.europa.eu>.



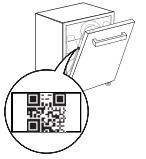
®/TM/ © 2024 Whirlpool. Vyrobeno v licenci.

# BEDIENUNGSANLEITUNG GUIDE



**DANKE, DASS SIE SICH FÜR EIN WHIRLPOOL PRODUKT ENTSCHEIDEN HABEN.** Für eine umfassendere Unterstützung melden Sie Ihr Gerät bitte an unter: [www.whirlpool.eu/register](http://www.whirlpool.eu/register)

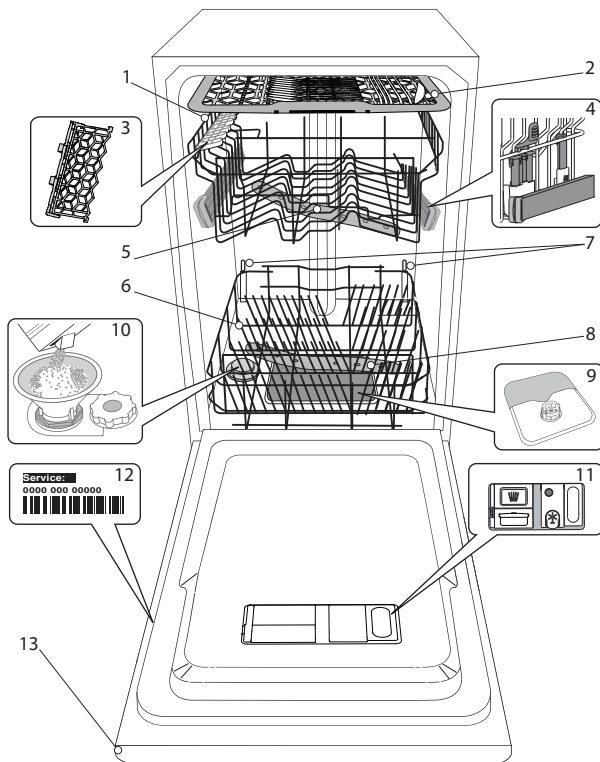
**BITTE SCANNEN SIE DEN QR-CODE AUF IHREM GERÄT, UM DETAILLIERTERE INFORMATIONEN ZU ERHALTEN**



Lesen Sie vor Gebrauch des Geräts die Sicherheitshinweise aufmerksam durch.

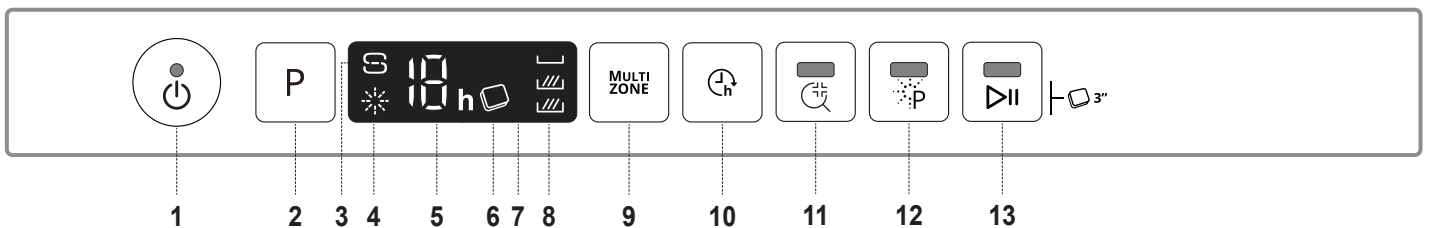
## PRODUKTBESCHREIBUNG

### GERÄT



1. Oberkorb
2. Besteckschublade
3. Faltbare Klappen
4. Oberkorb Höhenversteller
5. Oberer Sprüharm
6. Unterkorb
7. Power Clean®-Unterstützung
8. Unterer Sprüharm
9. Filtereinheit
10. Salzbehälter
11. Spülmittel und Klarspülerspender
12. Typenschild
13. Bedienfeld

### BEDIENTAFEL



- |  |  |
|--|--|
| 1. Ein-Aus/Reset Taste mit Anzeigelicht        | 8. Multizone Anzeigelicht                    |
| 2. Programmwahl-Taste                          | 9. Multizone-Taste                           |
| 3. Anzeigelicht zum Salz auffüllen             | 10. Startzeitvorwahl-Taste                   |
| 4. Anzeigelicht zum Klarspüler auffüllen       | 11. Sani Spülung-Taste mit Anzeigelicht      |
| 5. Programmnummer und Verzögerungszeit-Anzeige | 12. Power Clean®-Taste mit Anzeigelicht      |
| 6. Tab Anzeigelicht                            | 13. Start/Pause Taste mit Anzeigelicht / TAB |
| 7. Anzeige                                     |  |

# ERSTER GEBRAUCH

## SALZ, KLARSPÜLER UND SPÜLMITTEL


### HINWEISE ZUR ERSTEN INBETRIEBNAHME

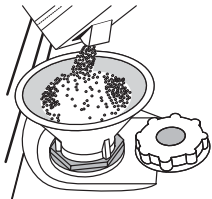
Nach Abschluss der Installation die Puffer an den Körben und die Rückhaltegummis vom oberen Korb entfernen.

### SALZBEHÄLTER BEFÜLLEN

Mit der Verwendung von Salz werden KALKABLAGERUNGEN auf dem Geschirr und den funktionalen Komponenten des Geschirrspülers verhindert.

- **DER SALZBEHÄLTER DARF NIE LEER SEIN!**
- Es ist wichtig, die Wasserhärte einzustellen.

Der Salzbehälter befindet sich im Geschirrspülerboden (siehe *PRODUKTBE-SCHREIBUNG*) und muss aufgefüllt werden, wenn die **SALZNACHFÜLLANZEIGE**  der Bedienblende leuchtet.



1. Ziehen Sie den Unterkorb heraus und schrauben Sie den Salzbehälterdeckel gegen den Uhrzeigersinn ab.
2. **Nur beim ersten Mal: Befüllen Sie den Salzbehälter mit Wasser.**
3. Setzen Sie den Trichter auf (siehe Abbildung) und füllen Sie den Behälter bis zum Rand mit Salz (ca. 1 kg), es ist normal, wenn etwas Wasser ausläuft.
4. Den Trichter abnehmen und die Salzreste vom Öffnungsrand entfernen.

Sicherstellen, dass der Deckel fest angeschraubt ist, so dass kein Spülmittel während dem Waschprogramm in den Behälter gelangt (dies könnte den Wasserenthärter irreparabel beschädigen).

**Immer wenn Sie Salz zugeben müssen, ist es zwingend vorgeschrieben, diesen Vorgang vor dem Beginn des Spülgangs auszuführen, um Korrosion zu vermeiden.**

### WASSERHÄRTE EINSTELLEN

Damit der Wasserenthärter perfekt arbeiten kann, muss die Wasserhärte je nach der aktuellen Wasserhärte in Ihrem Haus eingestellt werden. Diese Information erhalten sie bei Ihrem örtlichen Wasserversorger. Das Werk stellt den Standardwert für die Wasserhärte ein.

- Die Geschirrspülmaschine mit der Taste **EIN/AUS** einschalten.
- Mit der Taste **EIN/AUS** ausschalten.
- Die Taste **P** 5 Sekunden lang gedrückt halten, bis Sie einen Piepton hören.
- Mit der Taste **EIN/AUS** einschalten.
- Die Nummer der aktuell ausgewählten Stufe und die Salznachfüllanzeige blinken.
- Drücken Sie die Taste **P** um die gewünschte Härtestufe auszuwählen (siehe *WASSERHÄRTE-TABELLE*).

Wasserhärte-Tabelle				
Stufe	°dH Deut. Härtegr.	°fH Französischer Härtegr.	°Clark Engl. Härtegr.	
1	Weich	0 - 6	0 - 10	0 - 7
2	Mittel	7 - 11	11 - 20	8 - 14
3	Durchschnittlich	12 - 16	21 - 29	15 - 20
4	Hart	17 - 34	30 - 60	21 - 42
5	Sehr hart	35 - 50	61 - 90	43 - 62

- Mit der Taste **EIN/AUS** ausschalten.

Die Einstellung ist abgeschlossen!

Sobald dieses Verfahren abgeschlossen ist, ein Programm ohne Beladung laufen lassen.


**Verwenden Sie bitte nur Spezzalz für Geschirrspüler.**

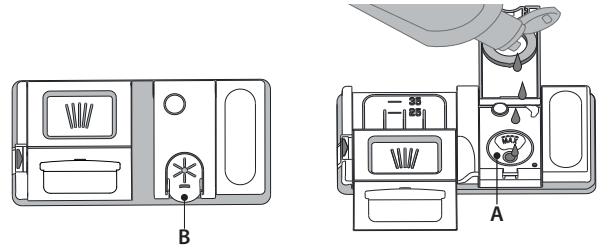
Nach dem Einfüllen des Salzes erlischt die SALZNACHFÜLLANZEIGE.

**Wenn der Salzbehälter nicht gefüllt ist, könnten Kesselsteinablagerungen den Wasserenthärter und das Heizelement beschädigen.**

**Die Verwendung von Salz wird bei jeder Art von Geschirrspülmittel empfohlen.**

### KLARSPÜLERSPENDER AUFFÜLLEN

Klarspüler macht das TROCKNEN von Geschirr einfacher. Der Klarspüler-spender **A** muss aufgefüllt werden, wenn das **KLARSPÜLER AUFFÜLLEN ANZEIGELICHT**  auf der Bedienblende leuchtet.



1. Den Behälter **B** durch Drücken und Anheben der Zunge am Deckel öffnen.
2. Den Klarspüler vorsichtig bis zur maximalen Füllstandsmarkierung (110 ml) an der Füllöffnung einfüllen und ein Überlaufen vermeiden. Andernfalls sofort mit einem trockenen Tuch abwischen.
3. Den Deckel schließen bis er einrastet.

**Füllen Sie den Klarspüler NIEMALS direkt ins Innere des Geschirrspülers.**

### KLARSPÜLERDOSIERUNG

Sollte das Trockenergebnis unzufrieden stellend sein, kann die Klarspülerdosierung neu eingestellt werden.

- Die Geschirrspülmaschine mit der Taste **EIN/AUS** einschalten.
- Mit der Taste **EIN/AUS** ausschalten.
- Drücken Sie die Taste **P** drei Mal - ein Piepton ertönt.
- Mit der Taste **EIN/AUS** einschalten.
- Die Nummer der aktuell ausgewählten Stufe und die Klarspülnachfüllanzeige blinken.
- Drücken Sie die Taste **P**, um den Stand der gelieferten Klarspülmenge auszuwählen.
- Mit der Taste **EIN/AUS** ausschalten.

Die Einstellung ist abgeschlossen!

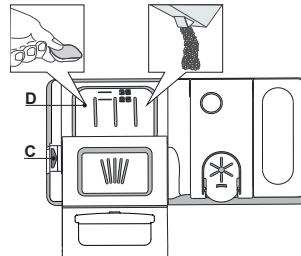
Die Klarspülerstufe kann auf NULL (ECO) eingestellt werden. In diesem Fall wird kein Klarspüler ausgegeben. Die Kontrollleuchte zur ANZEIGE DES FEHLENDEN KLARSPÜLERS leuchtet nicht mehr auf.

Je nach Gerätemodell können bis max. 5 Stufen eingestellt werden. Die Werkseinstellung ist abhängig vom Modell. Bitte befolgen Sie die Anweisungen oben, um dies für Ihr Gerät zu überprüfen.

- Wenn Sie bläuliche Streifen auf dem Geschirr sehen, stellen Sie eine niedrigere Zahl ein (1-2).
- Wenn Wassertropfen oder Kalkablagerungen auf dem Geschirr sind, eine höhere Zahl einstellen (3-4)

### EINFÜLLEN DES SPÜLMITTELS

**Zum Öffnen des Spülmittelbehälters den Öffnungsmechanismus C drücken. Füllen Sie das Spülmittel ausschließlich in das trockene Fach D ein. Die für den Vorspülgang benötigte Spülmittelmenge wird direkt in den Geschirrspüler gegeben.**



1. Hinsichtlich der Dosierung verweisen wir auf die zuvor erwähnte Information, in der die richtige Menge angegeben ist. Im Fach **D** sind Anzeigen die bei der Spülmitteldosierung helfen.
2. Entfernen Sie eventuelle Spülmittelrückstände von den Kanten der Kammern und schließen Sie den Deckel so, dass er einrastet.
3. Schieben Sie den Deckel der Spülmittelkammer zum Schließen nach oben, bis er einrastet.

Die Spülmittelkammer öffnet sich automatisch zum richtigen Zeitpunkt des jeweils gewählten Programms.

Werden Kombispülmittel verwendet, dann empfehlen wir, die Option **TAB** zu verwenden. Damit werden die Programme dem verwendeten Spülmittel angepasst, um das bestmögliche Spülergebnis zu erhalten.

**Die Verwendung von Reinigungsmitteln, die nicht für Geschirrspüler bestimmt sind, kann zu Fehlfunktionen oder Schäden am Gerät führen.**

# PROGRAMMTABELLE

Programm	Trockenphase	NaturalDry	Verfügbare Zusatzfunktionen *)	Programmdauer (Std:Min)**)	Wasserverbrauch (Liter/ Zyklus)	Energieverbrauch (kWh/ Zyklus)
1. Eco Eco 50°	✓	✓	MULTI ZONE	3:40	9,0	0,67
2. 6 <sup>th</sup> Sense® 6 <sup>th</sup> sense 50-60°	✓	✓	MULTI ZONE	1:20 - 3:00	7,0 - 14,0	0,70 - 1,10
3. Intensiv 65°	✓	✓	MULTI ZONE	2:45	17,5	1,60
4. Schnelles Spülen&Trocknen 50°	✓	✓	MULTI ZONE	1:25	11,5	1,10
5. Glas 45°	✓	✓	MULTI ZONE	1:40	12,0	1,20
6. Rapid 30' 50°	-	✓	MULTI ZONE	0:30	9,0	0,50
7. Vorwäsche -	-	-	MULTI ZONE	0:10	4,5	0,01
8. Selbstreinigend 65°	-	-		0:50	8,0	0,85

Die ECO-Programmdaten sind Labormessdaten, die gemäß der europäischen Vorschrift EN 60436:2020 erfasst wurden.

Hinweis für die Prüflabors: Informationen hinsichtlich der Bedingungen des EN-Vergleichstests sind unter nachfolgender Adresse anzufordern: [dw\\_test\\_support@europeanappliances.com](mailto:dw_test_support@europeanappliances.com)

Eine Vorbehandlung des Geschirrs ist vor keinem Programm erforderlich.

\*) Nicht alle Optionen können gleichzeitig verwendet werden.

\*\*\*) Werte, die für andere Programme als das ECO-Programm angegeben werden, sind nur Richtwerte. Die aktuelle Zeit kann auf Grundlage von mehreren Faktoren, wie Temperatur und Druck des eintretenden Wassers, Raumtemperatur, Spülmittelmenge, Menge und Art der Beladung, Lastausgleich, zusätzlich gewählte Optionen und Sensoreichung variieren. Die Sensoreichung kann die Programmdauer bis zu 20 Min. erhöhen.

## PROGRAMMBESCHREIBUNG

### Anweisungen bezüglich der Auswahl des Waschzyklus.

#### 1 ECO

Das ECO-Programm eignet sich, um normal verschmutztes Geschirr zu reinigen. In Bezug auf den kombinierten Energie- und Wasserverbrauch ist es das effizienteste Programm, das auch zur Prüfung der Einhaltung der Ökodesign-Richtlinie verwendet wird.

#### 2 6<sup>th</sup> SENSE®

Für normal verschmutztes Geschirr mit trockenen Speiseresten. Erfasst den Grad der Verschmutzung auf dem Geschirr und passt das Programm entsprechend an. Wenn der Sensor den Grad der Verschmutzung erfasst, wird im Display eine Animation angezeigt und die Programmdauer wird aktualisiert.

#### 3 INTENSIV

Programm empfohlen für stark verschmutztes Geschirr, besonders Töpfe und Pfannen (nicht für empfindliche Teile verwenden).

#### 4 SCHNELLES SPÜLEN&TROCKNEN

Normal verschmutztes Geschirr. Täglicher Zyklus, der optimale Reinigungs- und Trockenleistung in kürzester Zeit garantiert.

#### 5 GLAS

Programm für empfindliches Geschirr, das empfindlicher auf hohe Temperaturen ist, zum Beispiel Gläser und Becher.

#### 6 RAPID 30'

Programm für halbe Beladung von leicht verschmutztem Geschirr ohne getrocknete Speisereste. Hat keine Trocknungsphase.

#### 7 VORWÄSCHE

Verwendet, um Geschirr einzuweichen, das später gespült werden soll. Für dieses Programm wird kein Spülmittel verwendet.

#### 8 SELBSTREINIGEND

Programm, das für die Pflege des Geschirrspülers zu verwenden ist. Es ist nur bei LEEREM Geschirrspüler und mit speziellen Reinigungsmitteln für die Pflege des Geschirrspülers auszuführen.

#### Notes:

Bitte beachten Sie, dass das Programm Rapid 30' für leicht verschmutztes Geschirr geeignet ist.

# OPTIONEN UND FUNKTIONEN

OPTIONEN kann direkt durch Drücken der entsprechenden Taste ausgewählt werden (siehe *BEDIENBLENDE*).

**Wenn eine Option nicht mit dem ausgewählten Programm kompatibel ist siehe PROGRAMMTABELLE, blinken die entsprechenden LED 3 Mal schnell und ein Piepton ertönt. Die Option wird nicht aktiviert.**

## MULTI MULTIZONE

**ZONE** Haben Sie nur wenig Geschirr zu spülen, wählen Sie den Spülgang Halbe Füllung. Sie sparen Wasser, Strom und Spülmittel. Wählen Sie das Programm und drücken Sie dann die Taste MULTIZONE: die Anzeige über der Taste leuchtet und das Symbol des gewählten Korbes erscheint auf dem Display. Standardmäßig wäscht das Gerät das Geschirr in allen Körben. Drücken Sie diese Taste wiederholt, um nur einen bestimmten Korb zu spülen:



gezeigt auf dem Display (nur Unterkorb)



gezeigt auf dem Display (nur Oberkorb)



gezeigt auf dem Display (nur Besteckschublade)



gezeigt auf dem Display (Option ist AUS und das Gerät wäscht Geschirr in allen Körben).

**Denken Sie daran, nur den Ober- oder Unterkorb zu füllen, und die Menge an Spülmittel entsprechend zu reduzieren. Wenn der obere Korb herausgenommen wird, gießen Sie das Reinigungsmittel bitte direkt in die Wanne statt in den Waschmittelpender.**



## SANI SPÜLUNG

Diese Option kann verwendet werden, um gewaschenes Geschirr zu desinfizieren. Dabei wird die Spültemperatur am Ende erhöht und antibakterielles Waschen zu dem ausgewählten Programm zugefügt.

Wählen Sie das Programm, drücken Sie die Taste SANI SPÜLUNG; Das Anzeigelicht leuchtet auf. Durch erneuten Druck auf die Taste wird die Option deaktiviert. Ideal zum Reinigen von Geschirr und Babyflaschen. Die Geschirrspülertür muss während des gesamten Programms geschlossen bleiben, um eine Verringerung der Keime zu sichern. Falls die Tür geöffnet wird, beginnt die Anzeige zu blinken.

**WARNUNG: Das Geschirr und die Teller können bei Programmende sehr heiß sein.**



## BETRIEBSANZEIGE

Eine auf den Boden projizierte LED zeigt an, dass der Geschirrspüler in Betrieb ist. Eine der folgenden Betriebsarten kann ausgewählt werden:

- Deaktivierte Funktion
- Wenn das Programm startet schaltet sich das Licht für einige Sekunden an, bleibt während dem Programm ausgeschaltet und blinkt zu Programmende.
- Das Licht bleibt während dem Programm an und blinkt zu Programmende (Standardeinstellung).

Wenn der verzögerte Start ausgewählt wurde, schaltet sich das Licht entweder die ersten paar Sekunden an oder bleibt während der gesamten Dauer der Rückzählung an, je nachdem ob b) oder c) eingestellt wurde.

Das Licht geht aus, sobald die Tür geöffnet wird. Um die bevorzugte Betriebsart auszuwählen, die Maschine einschalten, die Taste **P** gedrückt halten, bis einer der drei Buchstaben auf dem Display erscheint, die Taste **P** drücken, bis der gewünschte Buchstabe (oder Betriebsweise) erreicht ist, die Taste **P** gedrückt halten, um die Auswahl zu bestätigen.

**Hinweis: Wenn NaturalDry aktiv ist und die Tür öffnet, blinkt die Betriebsanzeige bei Ende des Spülgangs nicht.**

## NaturalDry

NaturalDry ist ein Heißlufttrocknungssystem, das die Tür während/ nach der Trockenphase automatisch öffnet, um täglich hervorragende Trockenleistung sicherzustellen. Die Tür öffnet sich bei einer für Ihre Küchenmöbel sicheren Temperatur, daher wird die Tür nicht geöffnet, wenn die Option SANI SPÜLUNG eingeschaltet ist.

Als zusätzlicher Dampfschutz wird dem Geschirrspüler eine speziell entwickelte Schutzfolie beigelegt. Für die Montage der Schutzfolie siehe *INSTALLATIONSANLEITUNG*.

Die NaturalDry-Funktion könnte wie folgt durch den Benutzer deaktiviert werden:

- Rufen Sie das Geschirrspüler-Softwaremenü durch Drücken und Halten der Taste "P" auf (6 Sek.).
- Sie befinden sich derzeit im Menü der Lichtsteuerung (siehe Beschreibung BETRIEBSANZEIGE). Wenn Sie nichts ändern möchten, drücken und halten Sie die Taste "P" (bis einer der beiden Buchstaben auf dem Display erscheint).
- Sie haben auf das Menü NaturalDry-Steuerung umgeschaltet. Sie können nun durch Drücken der Taste "P" den Status der NaturalDry-Funktion ändern:

**E** – aktiv                      **d** – nicht aktiv

Zum Bestätigen der Änderung und Verlassen des Steuermenüs drücken und halten Sie die Taste "P" (3 Sek.).



## STARTZEITVORWAHL

Die Programmstartzeit kann um eine Zeit von 1 bis 12 Stunden verzögert werden.

- Drücken Sie die Taste STARTVERZÖGERUNG: Das entsprechende Symbol «h» erscheint auf dem Display; bei jedem Drücken der Taste, erhöht sich die Zeit (1 Std., 2 Std., usw. bis zu max. 12 Std.) ab dem Start des ausgewählten Spülprogramms.
- Wählen Sie das Waschprogramm, drücken Sie die Taste START/PAUSE-Taste und schließen Sie die Tür innerhalb von 4 Sekunden: die Zeitschaltuhr beginnt mit der Rückzählung.
- Nach Ablauf dieser Zeit, schaltet sich das Anzeigelicht «h» aus und das Programm beginnt automatisch.

Um die Startverzögerung anzupassen und eine kürzere Dauer auszuwählen, die Taste STARTVERZÖGERUNG drücken. Um abzubrechen, die Taste wiederholt drücken, bis das ausgewählte Startverzögerung-Anzeigelicht «h» aus geht.

**Bei bereits in Gang gesetztem Programm ist eine Startzeitvorwahl nicht mehr möglich.**



## TAB

Diese Einstellung erlaubt, die Spüleleistung des Programms je nach verwendetem Spülmitteltyp zu optimieren.

Drücken Sie die START/PAUSE-Taste 3 Sekunden lang (das entsprechende Symbol leuchtet), wenn Sie kombinierte Spülmittel in Tablettenform verwenden (Klarspüler, Regeneriersalz und Spülmittel in 1 Dosierung).

**Wenn Sie Pulver oder Flüssigspülmittel verwenden, muss diese Option ausgeschaltet sein.**

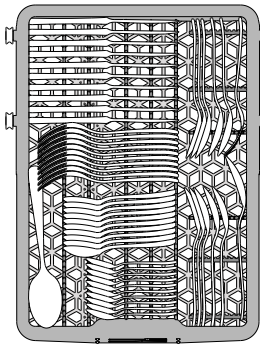


## POWER CLEAN®

Mit den zusätzlichen Powerdüsen bietet diese Option im dafür vorgesehenen Bereich im Unterkorb einen intensiveren und stärkeren Spülvorgang. Diese Zusatzfunktion ist ideal zum Reinigen von Töpfen und Brättern. Drücken Sie diese Taste, um POWER CLEAN® zu aktivieren (die Anzeige leuchtet auf).

# KÖRBE BELADEN

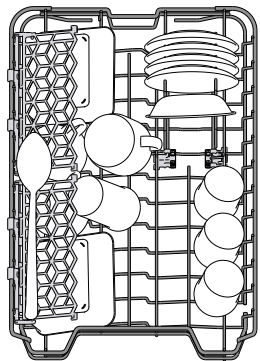
## BESTECKSCHUBLADE



Die dritte Schublade wurde für das Hineinlegen von Besteck entwickelt. Platzieren Sie das Besteck wie abgebildet. Eine getrennte Anordnung des Bestecks macht das Sortieren nach dem Spülen einfacher und verbessert die Spül- und Trockenleistung.

**Messer und andere Küchenutensilien mit scharfen Spitzen sind mit nach unten gerichteten Schneiden einzuordnen.**

## OBERKORB



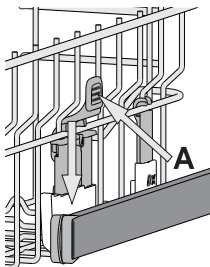
Hier sortieren Sie empfindliches und leichtes Geschirr ein: Gläser, Tassen, kleine Teller, flache Schüsseln.

Der Oberkorb verfügt über klappbare Halterungen, die in vertikaler Stellung für Untertassen oder Dessertteller oder in einer tieferen Stellung für Schüsseln und sonstige Behältnisse verwendet werden können.

(Sortierbeispiel für den Oberkor)

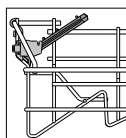
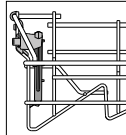
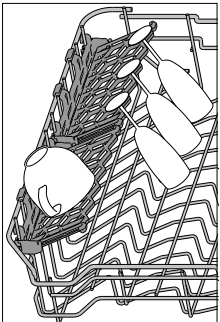
## HÖHENEINSTELLUNG DES OBERKORBES

Der Oberkorb kann in der Höhe verstellt werden: stellen Sie ihn in die oberste Position, wenn Sie großes Geschirr in den Unterkorb einräumen wollen. Wenn Sie eher die klappbaren Bereiche nutzen wollen, dann stellen Sie ihn in die untere Position. Somit vermeiden Sie Zusammenstoßen mit dem Geschirr im Unterkorb. Der Oberkorb ist mit einem **Oberkorb Höhenversteller** (siehe Abbildung) ausgestattet. Ohne Drücken der Hebel kann er einfach durch Heben der Korbseiten angehoben werden, sobald der Korb stabil in seiner unteren Stellung ist. Um den Korb zurück in die untere Stellung zu bringen, drücken Sie die Hebel A an den Seiten des Korbs und schieben Sie ihn nach unten.



**Es empfiehlt sich, die Höhe des Oberkorbes bei leerem Korb zu regulieren. Heben oder senken Sie den Korb NIEMALS nur an einer Seite.**

## KLAPPBARE KLAPPEN MIT VERSTELLBARER POSITION



Die seitlich, klappbaren Ablagen können ein- oder aufgeklappt werden, um die Anordnung des Geschirrs im Korb zu optimieren. Stielgläser können an den Ablagen stabilisiert werden, indem sie mit dem Stiel in die vorgesehene Aussparung gestellt werden.

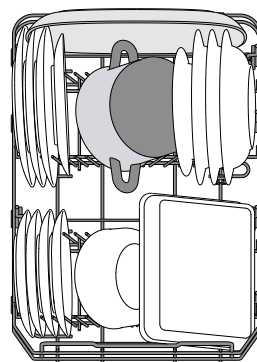
Je nach Modell:

- Zum Ausklappen der Ablagen, müssen diese nach oben geschoben und gedreht oder aus den Schnappern gelöst und nach

unten gezogen werden.

- Zum Einklappen der Ablagen, müssen diese gedreht und nach unten geschoben oder nach oben gezogen und an den Schnappern befestigt werden.

## UNTERKORB



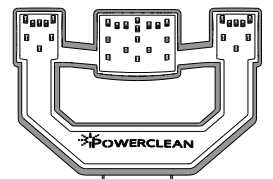
Für Töpfe, Deckel, Teller, Salatschüsseln, Besteck usw. Große Teller und Deckel sollten idealerweise an die Seiten gelegt werden, um nicht mit dem Sprüharm in Kontakt zu kommen

Der Unterkorb verfügt über klappbare Ablagen, die in vertikaler Stellung für Teller oder in horizontaler (niedriger) Position für Pfannen und Salatschüsseln verwendet werden können.

(Sortierbeispiel für den Unterkorb)

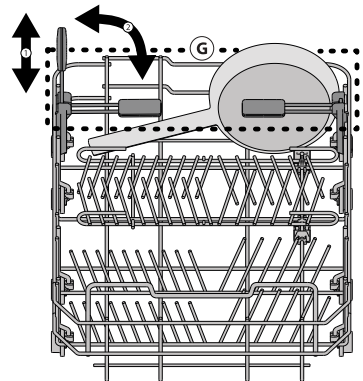
## POWER CLEAN® IM UNTERKORB®

Bei Power Clean® sorgen spezielle Wasserdüsen hinten im Gerät für eine verstärkte Reinigung von stark verschmutztem Geschirr. Der Unterkorb hat eine Raumzone, eine spezielle Halterung zum Herausziehen an der Korbhinterseite, welche benutzt werden kann um Pfannen oder Backbleche in senkrechter Position zu halten, und so weniger Raum zu beanspruchen. Wenn die Töpfe/Bräter in Richtung Power Clean® eingelegt werden, bitte **POWER CLEAN** auf der Bedienblende aktivieren.



Verwendung von Power Clean®:

1. Passen Sie Power Clean®-Bereich G an, indem Sie die hinteren Tellerhalterungen herunterklappen, um Töpfe einzuladen.
2. Laden Sie Töpfe und Bräter senkrecht im Power Clean®-Bereich ein. Die Töpfe müssen mit der offenen Seite zu den Power-Sprühdüsen geneigt sein.



# TÄGLICHER GEBRAUCH

## 1. ANSCHLUSS AN DIE WASSERLEITUNG PRÜFEN

Sicherstellen, dass der Geschirrspüler an die Wasserleitung angeschlossen und der Wasserhahn auf ist.

## 2. SCHALTEN SIE DEN GESCHIRRSPÜLER EIN

Tür öffnen und **EIN-/AUS**-Taste drücken.

## 3. KÖRBE BELADEN

(siehe **KÖRBE BELADEN**)

## 4. EINFÜLLEN DES SPÜLMITTELS

## 5. PROGRAMM WÄHLEN UND DAS PROGRAMM ANPASSEN

Das am besten geeignete Programm je nach Besteckart und Verschmutzungsgrad auswählen (siehe **PROGRAMMBESCHREIBUNG**) durch Drücken der Taste **P**. Die gewünschten Optionen auswählen (siehe **OPTIONEN UND FUNKTIONEN**).

## 6. START

Starten Sie das Spülprogramm mit der Taste **START/Pause** (LED leuchtet) und schließen Sie die Tür innerhalb von 4 Sek. Bei Programmstart ertönt ein einzelner Piepton. Wenn die Tür nicht innerhalb von 4 Sek. geschlossen wurde, ertönt der akustische Alarm. Öffnen Sie in diesem Fall die Tür, drücken Sie die Taste **START/Pause** und schließen Sie die Tür erneut innerhalb von 4 Sekunden.

## 7. ENDE DES SPÜLPROGRAMMS

Das Ende des Spülvorgangs wird durch Pieptöne und das Blinken der Programmnummer auf dem Display angezeigt. Die Tür öffnen und das Gerät mit der **EIN/AUS**-Taste ausschalten. Vor Entnahme des Bestecks einige Minuten warten - um Verbrennungen zu vermeiden. Die Körbe entladen, mit dem Unteren beginnen.

Die Maschine schaltet sich automatisch während bestimmter überschrittener Zeiten der Inaktivität aus, um den Stromverbrauch zu reduzieren. Für nur leicht verschmutztes Geschirr, oder für Geschirr, das vorher unter laufendem Wasser abgespült wurde, kann die Spülmittelmenge erheblich reduziert werden.

## EIN LAUFENDES PROGRAMM ÄNDERN

Wenn ein falsches Programm ausgewählt wurde, kann es geändert werden, wenn es gerade erst gestartet wurde: die Tür öffnen, die **EIN-/AUS**-Taste drücken und gedrückt halten, um die Maschine auszuschalten.

Die Maschine mit der **EIN-/AUS**-Taste wieder einschalten und das neue Spülprogramm und die gewünschten Optionen auswählen; das Spülprogramm durch Drücken der Taste **START/Pause** starten und innerhalb von 4 Sek. die Tür schließen.

## HINZUFÜGEN VON WEITEREM GESCHIRR

Ohne die Maschine auszuschalten, die Tür öffnen (**START/Pause** LED beginnt zu blinken) (**Vorsicht HEISSER Dampf!**) und das Geschirr in den Geschirrspüler geben. Die Taste **START/Pause** drücken und innerhalb von 4 Sek. die Tür schließen; das Programm läuft automatisch weiter, wo es unterbrochen wurde.

## VERSEHENTLICHE UNTERBRECHUNGEN

Wird während des Spülgangs die Gerätetür geöffnet, oder sollte ein Stromausfall stattfinden, wird der Spülgang unterbrochen. Damit das Programm wieder an dem Punkt startet, an dem es unterbrochen wurde, die Taste **START/Pause** drücken und innerhalb von 4 Sek. die Tür schließen.

# HINWEISE UND TIPPS

## EMPFEHLUNGEN

Bevor Sie das Geschirr in den Geschirrspüler einräumen, befreien Sie es von Speiserückständen und entleeren Sie Gläser und Behälter von Flüssigkeitsresten. **Es ist nicht notwendig, das Geschirr unter fließendem Wasser vorzuspülen.**

Stellen Sie das Geschirr so ein, dass es fest steht und nicht umfallen kann. Behälter müssen mit der Öffnung nach unten eingestellt werden und hohle oder gewölbte Teile müssen schräg stehen, damit das Wasser alle Oberflächen erreicht und dann abfließen kann.

**Achtung :** Achten Sie darauf, dass Deckel, Griffe, Töpfe und Tablett die Drehung der Sprüharme nicht behindern. Stellen Sie kleine Gegenstände in den Besteckkorb. Stark verschmutztes Geschirr und Töpfe sollten in dem Unterkorb untergebracht werden, da in diesem Bereich die Wasserstrahlen stärker sind und eine höhere Spüleistung garantieren. Stellen Sie nach Einräumen des Geschirrs sicher, dass sich die Sprüharme frei bewegen können.

## UNGEEIGNETES GESCHIRR

- Besteck und Geschirr aus Holz.
- Empfindliche Dekorgläser, handgemachte Teller und antikes Geschirr. Die Dekore sind nicht spülmaschinenfest.
- Nicht temperaturbeständige Kunststoffteile.
- Geschirr aus Kupfer und Zinn.
- Mit Asche, Wachs, Schmieröl oder Tinte verschmutztes Geschirr. Glasdekore, Aluminium- und Silberteile können während des Spülgangs die Farbe verändern und ausbleichen. Auch einige Glasarten (z.B. Kristallgegenstände) können nach mehreren Spülgängen matt werden.

## SCHÄDEN AN GLAS UND GESCHIRR

- Spülen Sie nur Gläser und Geschirr in Ihrem Geschirrspüler, die vom Hersteller als spülmaschinenfest ausgezeichnet sind.
- Verwenden Sie ein Feinspülmittel für Geschirr.
- Nehmen Sie Gläser und Besteck so bald wie möglich nach Ablauf des Programms aus der Spülmaschine.

## ENERGIESPARTIPPS

- Sofern man die Herstelleranweisungen beim Einsatz beachtet, **verbraucht das Waschen von Geschirr im Geschirrspüler in der Regel WENIGER ENERGIE und Wasser als Handspülen.**
- Um die Effizienz des Geschirrspülers zu maximieren, empfiehlt es sich, **das Spülprogramm bei voll beladenem Gerät zu starten.** Wenn der Geschirrspüler bis zur vom Hersteller angegebenen Kapazität beladen wird, hilft dies, Energie und Wasser zu sparen. Angaben über die korrekte Beladung von Geschirr finden Sie im Kapitel **BELADEN DER KÖRBE**. Bei Teilbeladung empfiehlt es sich, die speziellen Spülprogramme (Halbe Beladung / Zone Wash / Multizone) zu verwenden und nur die entsprechenden Körbe zu beladen. Bei einer fehlerhaften Beladung oder Überladung des Geschirrspülers könnten mehr Ressourcen verbraucht (z. B. Wasser, Energie und Zeit), der Geräuschpegel erhöht und die Reinigungs- und Trocknungsleistung verringert werden.
- Das manuelle Vorspülen von Geschirr führt zu erhöhtem Wasser- und Energieverbrauch und wird nicht empfohlen.

## HYGIENE

Um Gerüche und Ablagerung, die sich in dem Geschirrspüler ansetzen können zu vermeiden, **bitte mindestens einmal monatlich ein Hochtemperaturprogramm laufen lassen.** Einen Teelöffel Spülmittel verwenden und ohne Geschirr laufen lassen, um Ihr Gerät zu reinigen.

# PFLEGE UND WARTUNG

## REINIGUNG DER FILTEREINHEIT

Die Filtereinheit regelmäßig reinigen, damit die Filter nicht verstopfen und das Abwasser korrekt abfließen kann.

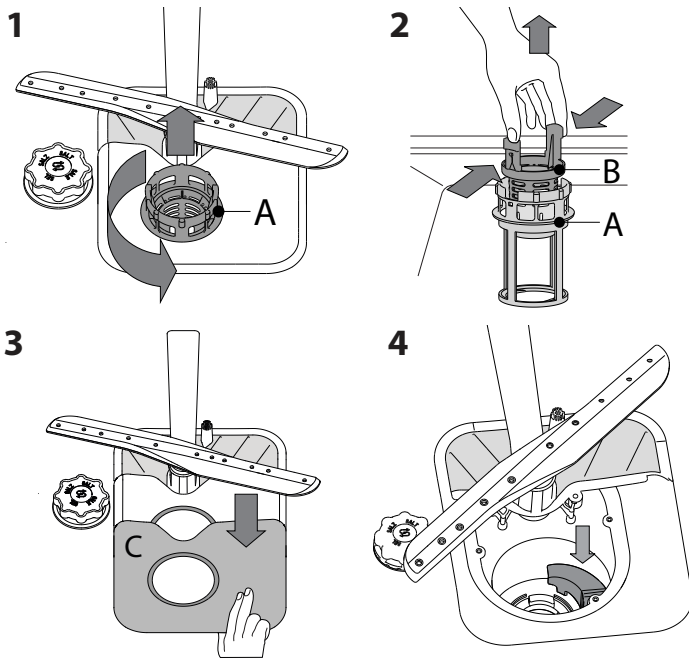
Wenn die Filter beim Einsatz des Geschirrspülers verstopft sind oder falls Fremdkörper im Filtersystem oder in den Spülarmen gelangen, könnten Störungen im Gerät auftreten, was zu Leistungseinbußen, lautem Betrieb oder höherer Ressourcennutzung führt.

Die Filtereinheit setzt sich aus drei Filtern zusammen, die Spülwasser reinigen, von Speiseresten befreien und wieder in Umlauf bringen.

**Der Geschirrspüler darf nie ohne Filtersiebe oder mit ausgehängten Filtern in Betrieb genommen werden.**

Kontrollieren Sie einmal monatlich oder nach 30 Zyklen die Filtersiebgruppe. Bei Bedarf ist diese sorgfältig unter laufendem Wasser auszuspülen. Nehmen Sie hierzu ein kleines Bürstchen (das nicht aus Metall sein darf) zu Hilfe. Gehen Sie wie folgt vor:

1. Drehen Sie das zylinderförmige Filtersieb **A** gegen den Uhrzeigersinn heraus (Abb. 1).
2. Ziehen Sie den Siebbecher **B** durch leichten Druck auf die seitlichen Flügel heraus (Abb. 2).
3. Nehmen Sie den Stahl-Siebteller **C** ab (Abb. 3).
4. Falls Sie Fremdkörper (wie Glasscherben, Porzellan, Knochen, Früchtsamen usw.) finden, **entfernen Sie diese bitte sorgfältig**.
5. Kontrollieren Sie den Hohlraum und befreien Sie diesen von eventuellen Speiseresten. Das Spülpumpenschutzteil (schwarzes Teil) **NICHT ABGENOMMEN WERDEN** (Abb. 4).



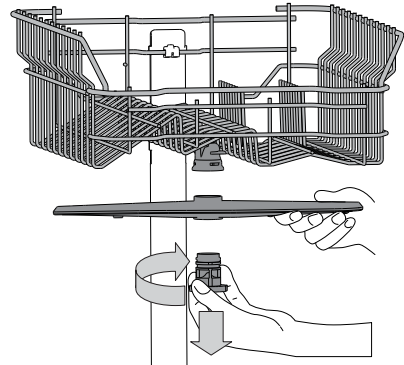
Setzen Sie die Filtereinheit nach der Reinigung der Filtersiebe wieder korrekt in ihren Sitz ein, dies ist äußerst wichtig, um eine ordnungsgemäße Betriebsweise des Geschirrspülers zu gewährleisten.

## WASSERZULAUFSCHLAUCH REINIGEN

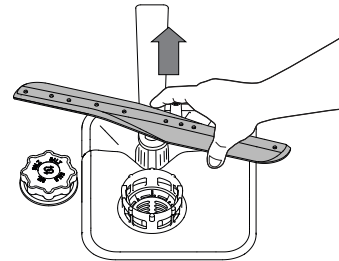
Wenn der Wasserschlauch neu ist oder für längere Zeit nicht in Betrieb war, das Warmwasser laufen lassen, um sicherzustellen, dass es klar und frei von Verschmutzungen ist, bevor die erforderlichen Anschlüsse vorgenommen werden. Bei Nichtbeachtung dieser Vorsichtsmaßnahme, kann die Wasserzufuhr blockieren und den Geschirrspüler beschädigen.

## REINIGUNG DER SPRÜHARME

Es kann vorkommen, dass Speisereste an den Sprüharmen hängen bleiben und die Wasserdüsen verstopfen. Prüfen Sie die Sprüharme daher regelmäßig und reinigen Sie sie bei Bedarf mit einer Kunststoffbürste.



Zur Abnahme des oberen Sprüharme drehen Sie den Kunststoffring im Uhrzeigersinn ab. Der obere Sprüharm ist mit jener Seite nach oben wieder einzusetzen, die die meisten Löcher aufweist.



Um den unteren Sprüharm abzunehmen, ihn nach oben ziehen.

## WASSERENTHÄRTUNG

Der Wasserenthärter reduziert automatisch die Wasserhärte, verhindert Kesselsteinablagerungen am Heizelement und trägt somit zu einer höheren Reinigungsleistung bei.

**Dieses System regeneriert sich mit Salz, daher ist es erforderlich, Salz in den Behälter zu füllen, wenn dieser leer ist.**

Die Regenerierungshäufigkeit hängt von eingestellten Stufe für die Wasserhärte ab - die Regenerierung findet einmal alle 6 Eco-Zyklen bei Wasserhärte auf 3 statt.

Der Regenerationsprozess beginnt in der Endspülung und endet in der Trocknungsphase, bevor der Zyklus endet.

- Eine einzelne Regeneration verbraucht: ~3,5 l Wasser;
- Das Programm dauert bis zu 5 Minuten länger;
- Energieverbrauch unter 0,005 kWh.

# LÖSEN VON PROBLEMEN

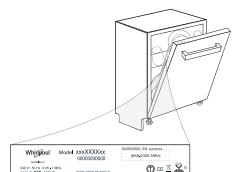
Falls Ihr Geschirrspüler nicht richtig funktioniert, versuchen Sie, das Problem anhand der folgenden Liste zu beheben. Für andere Fehler oder Probleme wenden Sie sich bitte an den autorisierten Kundendienst, dessen Kontaktdaten im Garantieheft aufgeführt sind. Ersatzteile werden für einen Zeitraum von entweder bis zu 7 oder bis zu 10 Jahren verfügbar sein, je nach den spezifischen Anforderungen der Verordnung.

STÖRUNGEN	MÖGLICHE URSACHEN	LÖSUNG
Salzanzeige leuchtet	Salzbehälter leer. (Es kann nach dem Auffüllen einige Spülvorgänge dauern, bis die Salzanzeige erlischt).	Befüllen Sie den Behälter mit Salz (weitere Informationen – siehe Seite 2). Stellen Sie die Wasserhärte ein – siehe Tabelle, Seite 2.
Klarspüleranzeige leuchtet	Klarspülbehälter leer. (Es kann nach dem Auffüllen einige Spülvorgänge dauern, bis die Klarspüleranzeige erlischt).	Befüllen Sie den Behälter mit Klarspüler (weitere Informationen – siehe Seite 2).
Die Spülmaschine startet nicht oder reagiert nicht auf die Bedienungseingaben.	Das Gerät wurde nicht richtig eingesteckt.	Schließen Sie den Netzstecker an.
	Stromausfall.	Aus Sicherheitsgründen wird die Spülmaschine nicht automatisch neu gestartet, wenn die Stromversorgung wiederhergestellt wird. Öffnen Sie die Tür des Geschirrspülers, drücken Sie die Taste START/Pause und schließen Sie die Tür erneut innerhalb von 4 Sekunden.
	Die Gerätetür schließt nicht.	Drücken Sie die Tür energisch, bis ein „Klicklaut“ zu hören ist.
	Der Spülgang wird durch Öffnen der Tür für > 4 Sekunden unterbrochen.	Drücken Sie die Taste START/Pause und schließen Sie die Tür erneut innerhalb von 4 Sekunden.
Das Gerät reagiert nicht auf Bedienungseingaben. Das Display zeigt: <b>9</b> oder <b>12</b> und die LED EIN/AUS blinken rasch.	Das Gerät reagiert nicht auf Bedienungseingaben. Das Display zeigt: <b>9</b> oder <b>12</b> und die LED EIN/AUS blinken rasch.	Schalten Sie das Gerät durch das Drücken der <b>EIN/AUS</b> -Taste aus und nach etwa einer Minute wieder ein und starten Sie das Programm neu. Wenn das Problem weiterhin besteht, ziehen Sie den Stecker des Geräts für 1 Minute ab und stecken Sie ihn dann wieder ein.
Der Geschirrspüler pumpt das Wasser nicht ab. Das Display zeigt: <b>3</b> und die LED EIN/AUS blinken rasch.	Das Spülprogramm ist noch nicht ganz abgelaufen.	Warten Sie, bis das Programm beendet ist.
	Der Ablaufschlauch ist geknickt.	Prüfen Sie, dass der Ablaufschlauch nicht geknickt ist (siehe <i>INSTALLATIONSANWEISUNGEN</i> ).
	Der Ablauf des Spülbeckens ist verstopft.	Den Ablauf des Spülbeckens reinigen.
	Im Filtersieb haben sich Speisereste angesammelt.	Den Filter reinigen (siehe <i>REINIGUNG DER FILTEREINHEIT</i> ).
Der Geschirrspüler ist zu laut.	Das Geschirr schlägt aneinander.	Positionieren Sie das Geschirr korrekt (siehe <i>KÖRBE BELADEN</i> ).
	Es hat sich zu viel Schaum gebildet.	Das Spülmittel wurde nicht richtig dosiert oder ist für Geschirrspüler ungeeignet (siehe <i>EINFÜLLEN DES SPÜLMITTELS</i> ). Starten Sie das laufende Programm durch Ausschalten des Geschirrspülers neu. Schalten Sie das Gerät wieder ein, wählen Sie ein neues Programm, drücken Sie START/Pause und schließen Sie die Tür innerhalb von 4 Sekunden. Kein Spülmittel zufügen.
Das Geschirr ist nicht sauber geworden.	Das Geschirr wurde nicht korrekt eingeräumt.	Positionieren Sie das Geschirr korrekt (siehe <i>KÖRBE BELADEN</i> ).
	Die Sprüharme können nicht frei drehen, werden durch das Geschirr blockiert.	Positionieren Sie das Geschirr korrekt (siehe <i>KÖRBE BELADEN</i> ).
	Das Spülprogramm ist zu schwach.	Ein geeignetes Spülprogramm wählen (siehe <i>PROGRAMMTABELLE</i> ).
	Es hat sich zu viel Schaum gebildet.	Das Spülmittel wurde nicht richtig dosiert oder ist für Geschirrspüler ungeeignet (siehe <i>EINFÜLLEN DES SPÜLMITTELS</i> ).
	Der Stöpsel des Klarspülerbehälters wurde nicht korrekt geschlossen.	Sicherstellen, dass der Stöpsel des Klarspülerbehälters geschlossen ist.
	Das Filtersieb ist schmutzig oder verstopft.	Die Filtereinheit reinigen (siehe <i>PFLEGE UND WARTUNG</i> ).
Fehlendes Regeneriersalz.	Füllen Sie den Salzbehälter (siehe <i>SALZBEHÄLTER BEFÜLLEN</i> ).	
Der Geschirrspüler lädt kein Wasser. Das Display zeigt: <b>H</b> , <b>6</b> und die LED EIN/AUS blinken rasch.	Kein Wasser im Wassernetz oder zugezogener Wasserhahn.	Sicherstellen, dass Wasser im Wassernetz ist oder der Wasserhahn läuft.
	Geknickter Zulaufschlauch.	Sicherstellen, dass der Zulaufschlauch nicht geknickt ist (siehe <i>INSTALLATION</i> ), den Geschirrspüler neu programmieren und wieder einschalten.
	Sieb im Zulaufschlauch verstopft; es muss gereinigt werden.	Nach der Überprüfung und Reinigung, den Geschirrspüler ausschalten und ein neues Programm starten.
Der Geschirrspüler beendet frühzeitig das Programm. Das Display zeigt: <b>15</b> und die LED EIN/AUS blinken rasch.	Abflussschlauch zu niedrig positioniert oder Wasser vom Abwassersystem angesaugt.	Kontrollieren Sie, ob das Ende des Abflussschlauches auf der korrekten Höhe positioniert ist (siehe <i>INSTALLATION</i> ). Kontrollieren Sie, ob Wasser in das Abwassersystem angesaugt wird, installieren ggf. ein Belüftungsventil.
	Luft in der Wasserversorgung.	Kontrollieren Sie die Wasserversorgung auf Lecks oder andere Probleme, die einen Luftzutritt verursachen.
Das Auslaufen des Waschmittels.	Hängt vom verwendeten Flüssigwaschmittel ab und durch die aktivierte Startvorwahloption verstärkt werden.	Kleine Leckagen führen nicht zu einer Funktionsstörung der Maschine und können vermieden werden, indem man den Typ des Flüssigwaschmittels wechselt oder Tabs verwendet.

## Firmenrichtlinien, Standarddokumentation, Ersatzteilbestellung und zusätzliche Produktinformationen finden Sie unter:

- Mit dem QR-Code auf Ihrem Produkt.
- Besuchen Sie unsere Website [docs.whirlpool.eu/docs](https://docs.whirlpool.eu/docs) und [parts-selfservice.europeanappliances.com](https://parts-selfservice.europeanappliances.com)
- Alternativ können Sie **unseren Kundendienst kontaktieren** (Siehe Telefonnummer in dem Garantieheft). Wird unser Kundendienst kontaktiert, bitte die Codes auf dem Typenschild des Produkts angeben.

Die Modellinformation ist über den QR-Code auf der Energieverbrauchskennzeichnung aufrufbar. Die Kennzeichnung enthält auch die Modellnummer, die den Zugang zum Verzeichnisportal unter <https://eprel.ec.europa.eu> ermöglicht.

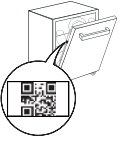


# GUÍA DE REFERENCIA DIARIA



**GRACIAS POR COMPRAR UN PRODUCTO WHIRLPOOL.**  
Si desea recibir un servicio más completo, registre su aparato en: [www.whirlpool.eu/register](http://www.whirlpool.eu/register)

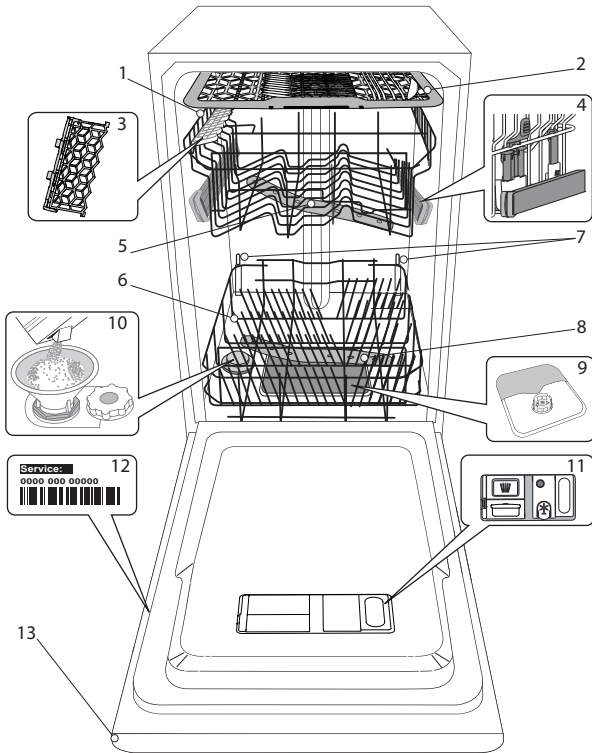
**ESCANEE EL CÓDIGO QR  
DE SU APARATO PARA OBTENER  
INFORMACIÓN MÁS DETALLADA**



**⚠ Antes de usar el electrodoméstico, lea atentamente las Instrucciones de seguridad.**

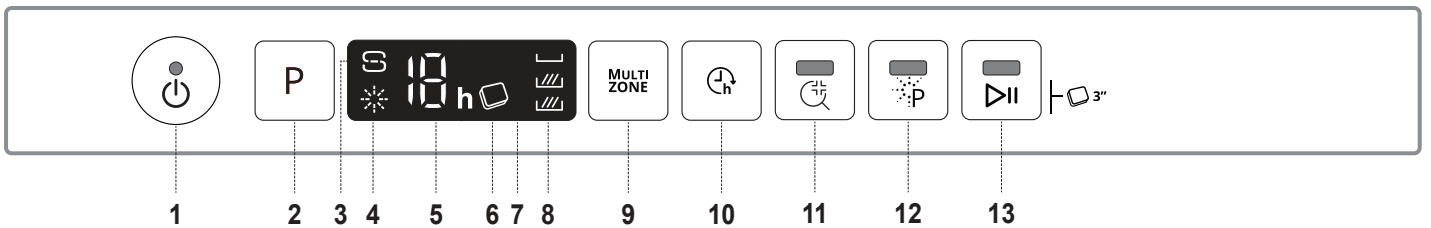
## DESCRIPCIÓN DEL PRODUCTO

### APARATO



1. Cesto superior
2. Bandeja para cubiertos
3. Sujeciones plegables
4. Ajustador de altura de la bandeja superior
5. Brazo aspersor superior
6. Cesto inferior
7. Soportes de PowerClean®
8. Brazo aspersor inferior
9. Conjunto de filtrado
10. Depósito de sal
11. Dispensadores de detergente y abrillantador
12. Placa de características
13. Panel de control

### PANEL DE CONTROL



1. Botón de Encender-Apagar / Reset con indicador luminoso
2. Botón de selección de programas
3. Indicador luminoso de recarga de sal
4. Indicador luminoso de recarga de abrillantador
5. Indicador luminoso de número de programa y tiempo diferido
6. Indicador luminoso de Pastillas (Tab)
7. Pantalla
8. Indicador luminoso de Multizone
9. Botón de Multizone
10. Botón de aplazamiento
11. Botón de Sani Rinse con indicador luminoso
12. Botón Power Clean® con indicador luminoso
13. Botón de Inicio/Pausa con indicador luminoso/ Pastillas (Tab)

# PRIMER USO

## SAL, ABRILLANTADOR Y DETERGENTE

### CONSEJO RESPECTO AL PRIMER USO

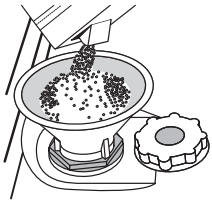
Después de la instalación, retire los topes de las bandejas y los elementos de retención elásticos de la bandeja superior.

### LLENADO DEL DEPÓSITO DE SAL

El uso de sal evita la formación de INCRUSTACIONES DE CAL en la vajilla y en los componentes funcionales de la máquina.

- Es obligatorio que **EL DEPÓSITO DE SAL NO ESTÉ NUNCA VACÍO**.
- Es importante ajustar la dureza del agua

El depósito de sal se ubica en la parte inferior del lavavajillas (consulte DESCRIPCIÓN DEL PRODUCTO) y se debe rellenar cuando el **indicador de RECARGA DE SAL** del panel de control se encienda.



1. Retire la bandeja inferior y desenrosque el tapón del depósito (en sentido antihorario).
2. **Pasos a seguir solo la primera vez: llene el depósito de sal con agua.**
3. Coloque el embudo (véase la figura) y llene el depósito de sal hasta el borde (aproximadamente 1 kg); puede derramarse un poco de agua.
4. Retire el embudo y limpie cualquier residuo de sal del orificio.

Asegúrese de que el tapón esté bien cerrado, de modo que el detergente no pueda entrar en el depósito durante el programa de lavado (esto podría estropear irremisiblemente el ablandador del agua). **Siempre que necesite añadir sal, es obligatorio completar el procedimiento antes del inicio del ciclo de lavado para evitar la corrosión.**

### CONFIGURACIÓN DE LA DUREZA DEL AGUA

Para que el ablandador del agua funcione a la perfección, es esencial que la configuración de la dureza del agua se base en la dureza real del agua de su casa. Su suministrador de agua local le puede proporcionar esta información.

La fábrica ajusta el valor predeterminado de dureza del agua.

- Encienda el aparato pulsando el botón **Encendido/Apagado**.
- Apague el aparato pulsando el botón **Encendido/Apagado**.
- Mantenga pulsado el botón **P** durante 5 segundos, hasta que oiga un pitido.
- Encienda el aparato pulsando el botón **Encendido/Apagado**.
- Tanto el número del nivel de la selección actual como el indicador luminoso de la sal parpadean.
- Pulse el botón **P** para seleccionar el nivel de dureza deseado (consulte la TABLA DE DUREZA DEL AGUA).

Tabla de dureza del agua			
Nivel	°dH Niveles Alemanes	°fH Niveles Franceses	°Clark Niveles Ingleses
1	Blanda	0 - 6	0 - 10
2	Media	7 - 11	11 - 20
3	Normal	12 - 16	21 - 29
4	Dura	17 - 34	30 - 60
5	Muy dura	35 - 50	61 - 90

- Apague el aparato pulsando el botón **Encendido/Apagado**.

Configuración finalizada!

Cuando haya completado este procedimiento, ejecute un programa sin carga.

**Utilice solamente sal fabricada específicamente para lavavajillas.**

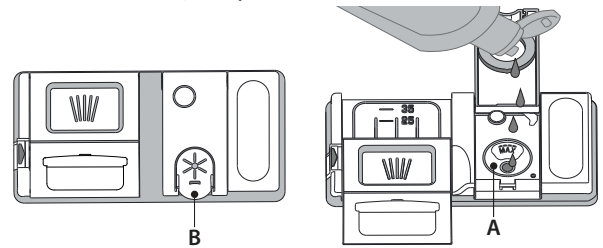
Cuando haya echado la sal dentro del depósito, el indicador luminoso de RECARGA DE SAL se apagará.

**Si el depósito de sal no se llena, el ablandador del agua y la resistencia pueden sufrir daños como resultado de la acumulación de incrustaciones de cal.**

**Se recomienda utilizar sal con cualquier tipo de detergente para lavavajillas.**

### LLENADO DEL DISPENSADOR DEL ABRILLANTADOR

El abrillantador facilita el SECADO de la vajilla. El dispensador de abrillantador **A** se debe rellenar cuando el **indicador luminoso de RECARGA DE ABRILLANTADOR** del panel de control esté encendido.



1. Abra el dispensador **B** pulsando y levantando la lengüeta de la tapa.
2. Introduzca el abrillantador con cuidado como máximo hasta la última marca (110 ml) de referencia del depósito, evitando que se derrame. Si se derrama, limpie el derrame inmediatamente con un paño seco.
3. Pulse la tapa hasta que oiga un clic, para cerrarla.

**NUNCA eche el abrillantador directamente en la cuba.**

### AJUSTE DE LA DOSIS DE ABRILLANTADOR

Si los resultados del secado no le satisfacen totalmente, puede ajustar la cantidad de abrillantador utilizada

- Encienda el lavavajillas con el botón **Encendido/Apagado**.
- Apáguelo con el botón **Encendido/Apagado**.
- Pulse el botón **P** tres veces: oirá un pitido.
- Enciéndalo con el botón **Encendido/Apagado**.
- Tanto el número del nivel de la selección actual como el indicador luminoso del abrillantador parpadean.
- Pulse el botón **P** para seleccionar el nivel del abrillantador y la cantidad que se tenga que suministrar.
- Apáguelo con el botón **Encendido/Apagado**.

(Configuración finalizada!)

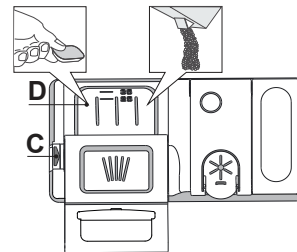
Si se selecciona el nivel de abrillantador CERO (ECO), no se suministrará abrillantador. El indicador luminoso de ABRILLANTADOR BAJO no se encenderá si el abrillantador se termina.

Se pueden configurar 5 niveles como máximo según el modelo de lavavajillas. Los ajustes de fábrica son específicos para el modelo, siga las instrucciones anteriores para comprobar esto en su máquina.

- Si ve manchas azuladas en la vajilla, seleccione un número bajo (1-2).
- Si hay gotas de agua o incrustaciones de cal en la vajilla, seleccione un número alto (3-4).

### RELLENAR EL DISPENSADOR DE DETERGENTE

**Para abrir el dispensador de detergente utilice el mecanismo de apertura C. Introduzca el detergente solo en el dispensador D seco. Eche la cantidad de detergente para el prelavado directamente dentro de la cuba.**



1. Cuando dosifique el detergente, consulte la información mencionada anteriormente para añadir la cantidad correcta. Dentro del dispensador **D** hay indicaciones para ayudarle a dosificar el detergente.
2. Retire los restos de detergente de los bordes del dispensador y cierre la tapa hasta oír un clic.
3. Cierre la tapa del dispensador de detergente levantándola hasta que el mecanismo de cierre quede bien fijado.

El dispensador de detergente se abre automáticamente en el momento adecuado según el programa.

Si se utilizan detergentes todo en uno, recomendamos usar el botón de **PASTILLAS**, ya que ajusta el programa de tal modo que siempre se consigan los mejores resultados de lavado y secado.

**El uso de detergente no diseñado para lavavajillas puede provocar fallos de funcionamiento o daños en el aparato.**

# TABLA DE PROGRAMAS

Programa	Fase de secado	ActiveDry	Opciones disponibles *)	Duración del programa de lavado (h:min)**)	Consumo de agua (litros/ciclo)	Consumo de energía (kWh/ciclo)	
1. Eco	ECO 50°	✓	✓	MULTI ZONE   P	3:40	9,0	0,67
2. 6 <sup>th</sup> Sense®	50-60°	✓	✓	MULTI ZONE   P	1:20 - 3:00	7,0 - 14,0	0,70 - 1,10
3. Intensivo	65°	✓	✓	MULTI ZONE   P	2:45	17,5	1,60
4. Lavado y secado rápido	50°	✓	✓	MULTI ZONE	1:25	11,5	1,10
5. Cristal	45°	✓	✓	MULTI ZONE	1:40	12,0	1,20
6. Rápido 30'	50°	-	✓	MULTI ZONE	0:30	9,0	0,50
7. Prelavado	-	-	-	MULTI ZONE	0:10	4,5	0,01
8. Autolimpieza	65°	-	-		0:50	8,0	0,85

Los datos del programa ECO se miden bajo condiciones de laboratorio de conformidad con la Norma europea EN 60436:2020.

Nota para los laboratorios de pruebas: para obtener información detallada sobre las condiciones de la prueba comparativa EN, escribir a la siguiente dirección: [dw\\_test\\_support@europeanappliances.com](mailto:dw_test_support@europeanappliances.com)

No es necesario ningún tratamiento previo de la vajilla antes de ninguno de los programas.

\*) No todas las opciones se pueden utilizar simultáneamente.

\*\*\*) Los valores indicados para los programas distintos al programa Eco son indicativos. El tiempo real puede variar dependiendo de muchos factores como la temperatura y la presión del agua de entrada, la temperatura ambiente, la cantidad de detergente, la cantidad y el tipo de carga, la colocación de la carga, las opciones adicionales seleccionadas y la calibración del sensor. La calibración del sensor puede incrementar la duración del programa hasta 20 min.

## DESCRIPCIÓN DE PROGRAMAS

### Instrucciones sobre la selección de programa de lavado.

#### 1 ECO

El programa Eco es adecuado para lavar utensilios con suciedad normal, para este uso es el programa más eficiente en términos de consumo combinado de energía y agua, y se utiliza para valorar el cumplimiento con la legislación de Ecodiseño de la UE.

#### 2 SENSOR

Para vajilla con suciedad normal con residuos de comida secos. Detecta el nivel de suciedad en la vajilla y ajusta el programa según proceda. Cuando el sensor está detectando el nivel de suciedad, aparece una animación en la pantalla y se actualiza la duración del ciclo.

#### 3 INTENSIVO

Programa recomendado para vajilla muy sucia, en especial para ollas o sartenes (no se debe utilizar para artículos delicados).

#### 4 LAVADO Y SECADO RÁPIDO

Vajilla con suciedad normal. Ciclo diario que garantiza un rendimiento de limpieza y secado óptimos en poco tiempo.

#### 5 CRISTAL

Programa para artículos delicados, que son más sensibles a las temperaturas altas, por ejemplo vasos y tazas.

#### 6 RÁPIDO 30'

Programa recomendado para media carga de vajilla poco sucia sin restos de comida secos. No tiene fase de secado.

#### 7 PRELAVADO

Se utiliza para remojar la vajilla que planea lavar más tarde. Con este programa no se debe utilizar detergente.

#### 8 AUTOLIMPIEZA

Programa para realizar el mantenimiento del lavavajillas. Solo debe llevarse a cabo cuando el lavavajillas esté VACÍO usando detergentes específicos diseñados para el mantenimiento de lavavajillas.

#### Notas:

Tenga en cuenta que el ciclo Rápido 30' está destinado a vajilla poco sucia.

# OPCIONES Y FUNCIONES

Las OPCIONES se pueden seleccionar directamente pulsando el botón correspondiente (consulte el PANEL DE CONTROL).

**Si una opción no es compatible con el programa seleccionado (consulte la TABLA DE PROGRAMAS), el led correspondiente parpadea rápidamente 3 veces y suenan unos pitidos. La opción no se habilitará.**

## MULTI ZONE MULTIZONE

Si no hay que lavar mucha vajilla, se puede utilizar una media carga para ahorrar agua, electricidad y detergente. Seleccione el programa y pulse el botón de MULTIZONE: el símbolo de la bandeja elegida aparecerá en la pantalla. Por defecto, el aparato lava la vajilla de todas las bandejas. Para lavar solo una bandeja determinada, pulse este botón repetidamente:



la pantalla muestra (solo bandeja inferior)



la pantalla muestra (solo bandeja superior)



la pantalla muestra (solo bandeja para cubiertos)



la pantalla muestra (la opción está apagada y el aparato lavará la vajilla de todas las bandejas).

**Acuérdese de cargar solo la bandeja superior o inferior y consiguientemente, de reducir la cantidad de detergente. Si se retira la cesta superior, aplique el detergente directamente en la cuba y no en el dispensador de detergente.**

## APLAZAMIENTO

La hora de inicio del programa se puede retrasar un periodo de tiempo de entre 1 y 12 horas.

1. Pulse el botón de APLAZAMIENTO: el símbolo «h» correspondiente aparece en la pantalla; cada vez que pulse el botón, el tiempo (1 h, 2 h, etc. hasta máx. 12 h) del inicio del ciclo de lavado seleccionado se incrementará.
2. Seleccione el programa de lavado, pulse el botón de INICIO/PAUSA y cierre la puerta antes de 4 segundos: el temporizador empezará la cuenta atrás.
3. Cuando ha transcurrido este tiempo, el indicador luminoso «h» se apaga y empieza el ciclo de lavado.

Para ajustar el tiempo de retraso y seleccionar un periodo de tiempo más corto, pulse el botón de APLAZAMIENTO. Para cancelar, pulse el botón repetidamente hasta que el indicador luminoso «h» del aplazamiento seleccionado se apague.

**La función de APLAZAMIENTO no puede configurarse una vez iniciado el ciclo.**

## SANI RINSE

Esta opción puede utilizarse para la desinfección de los platos lavados.

Incrementa la temperatura del abrillantado final y añade un lavado antibacteriano al programa seleccionado.

Seleccione el programa de lavado, pulse el botón SANI RINSE; el indicador luminoso se encenderá. Vuelva a pulsar el botón para deseleccionar la opción. Ideal para vajilla limpia y biberones. La puerta del lavavajillas se debe mantener cerrada mientras dure el programa para garantizar la reducción de los gérmenes. Si se abre la puerta, el indicador parpadea.

**ADVERTENCIA: la vajilla y los utensilios pueden estar muy calientes al final del ciclo.**



## PASTILLAS (Tab)

Esta función permite optimizar el rendimiento del programa según el tipo de detergente utilizado.

Pulse el botón INICIO/PAUSA durante 3 segundos (el indicador luminoso se encenderá / el símbolo correspondiente se encenderá) si usa detergentes combinados en forma de pastilla (abrillantador, sal y detergente en 1 dosis).

**Si utiliza detergente en polvo o líquido, esta opción debería estar desactivada.**



## POWER CLEAN®

Gracias a los chorros suplementarios, esta opción proporciona una limpieza más intensa y enérgica en el cesto inferior, en el área específica. Esta opción se recomienda para lavar ollas y cacerolas. Pulse este botón para activar la opción Power Clean (se enciende el indicador).



## INDICADOR DE OPERACIÓN

Una luz LED se proyecta en el suelo para indicar que el lavavajillas está en funcionamiento. Se puede seleccionar uno de los siguientes modos de funcionamiento:

- a) Función desactivada.
- b) Cuando el ciclo se inicia la luz se apaga durante unos segundos, se mantiene apagada durante el ciclo y parpadea al final del ciclo.
- c) La luz se mantiene encendida durante el ciclo y parpadea al final del ciclo (modo por defecto).

Si se ha ajustado el aplazamiento, la luz se enciende o bien durante los primeros segundos o bien mientras dure la cuenta atrás, dependiendo de si se ha ajustado el modo b) o c).

La luz se apaga cada vez que se abre la puerta. Para seleccionar el modo que prefiera, encienda la máquina, mantenga pulsado el botón **P** hasta que una de las tres letras aparezca en la pantalla, pulse el botón **P** hasta que llegue a la letra deseada (o modo) y mantenga pulsado el botón **P** para confirmar la selección.

**Nota: Si ActiveDry está activo y abre la puerta, el indicador de funcionamiento no parpadeará al final del ciclo.**

## ActiveDry

ActiveDry es un sistema de secado por convección que abre la puerta automáticamente durante/después de la fase de secado para garantizar un rendimiento excepcional y regular del secado. La puerta se abre a una temperatura segura para los muebles de cocina. Por lo tanto, la puerta no se abre si se elige la función SANI RINSE.

Como protección adicional contra el vapor, se incluye una lámina protectora especial en el lavavajillas. Para ver cómo montar la lámina protectora, consulte la GUÍA DE INSTALACIÓN.

La funcionalidad ActiveDry se puede desactivar de la siguiente manera:

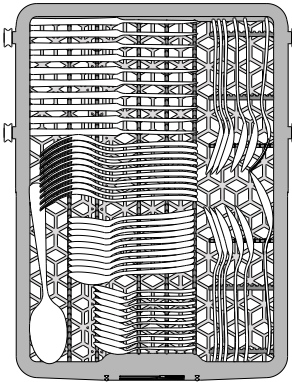
1. Vaya al menú del software del lavavajillas manteniendo pulsado el botón **P** (6 seg).
2. Ahora está en el Menú de control de la luz (consulte la descripción INDICADOR DE OPERACIÓN). Si no quiere cambiar nada, mantenga pulsado el botón **P** (hasta que una de las dos letras aparezca en la pantalla).
3. Ha cambiado al Menú de control de ActiveDry; podría cambiar el estado de la funcionalidad ActiveDry manteniendo pulsado el botón **P**:

**E** – activado      **d** – desactivado

Para confirmar el cambio y salir del Menú de control, mantenga pulsado el botón **P** (3 seg).

# LLENADO DEL LAVAVAJILLAS

## BANDEJA PARA CUBIERTOS



La tercera bandeja está diseñada para alojar los cubiertos.

Coloque los cubiertos tal como se muestra en la figura.

La colocación por separado de los cubiertos hace que sean más fáciles de recoger después del lavado y mejora el rendimiento del lavado y el secado.

**Los cuchillos y otros utensilios con bordes afilados deben colocarse con las hojas hacia abajo.**

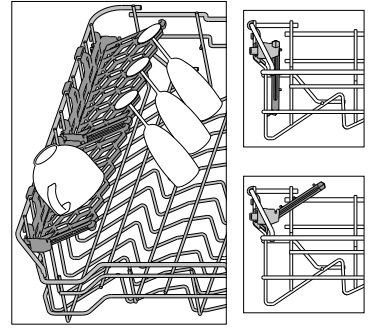
## SUJECIONES PLEGABLES CON POSICIÓN AJUSTABLE

Las sujeciones plegables laterales se pueden plegar o desplegar para optimizar la disposición de la vajilla en el cesto.

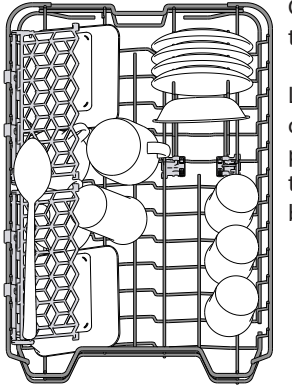
Las copas de vino quedan bien aseguradas en las sujeciones plegables insertando el tallo de cada copa en las ranuras correspondientes.

Dependiendo del modelo:

- para desplegar las sujeciones, deslícelas hacia arriba y gírelas o suéltelas de los cierres y tire de ellas hacia abajo.
- para plegar las sujeciones, gírelas y deslícelas hacia abajo o tire de ellas hacia arriba y fíjelas en los cierres.



## CESTO SUPERIOR

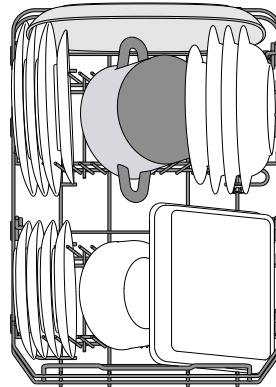


Cargue la vajilla delicada y ligera: vasos, tazas, platos, ensaladeras bajas.

La bandeja superior tiene unos soportes desplegables que se pueden utilizar en posición vertical cuando se coloquen platos de te/postres o en una posición más baja para cargar cuencos y recipientes.

(ejemplo de carga para la bandeja superior)

## CESTO INFERIOR



Para ollas, tapas, platos, ensaladeras, cubertería, etc. Se recomienda colocar las bandejas y tapas grandes en los laterales para evitar interferencias con el brazo aspersor.

La bandeja inferior tiene unos soportes desplegables que se pueden utilizar en posición vertical cuando se coloquen platos o en posición horizontal (más baja) para cargar cacerolas y ensaladeras fácilmente.

(ejemplo de carga para la bandeja inferior)

## AJUSTE DE LA ALTURA DE LA BANDEJA SUPERIOR

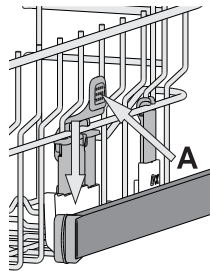
La altura de la bandeja superior se puede ajustar: posición alta para colocar vajilla voluminosa en el cesto inferior y posición baja para aprovechar al máximo los soportes desplegables creando más espacio hacia arriba y evitando que colisionen con los artículos cargados en la bandeja inferior.

La bandeja superior está equipada con un **Ajustador de altura de la bandeja superior** (véase la figura). Sin presionar las palancas, levántelo simplemente sujetando los laterales de la bandeja, hasta que la bandeja esté estable en su posición superior.

Para volver a la posición más baja, pulse las palancas **A** de los laterales de la bandeja y mueva el cesto hacia abajo.

**Le recomendamos encarecidamente que no ajuste la altura de la bandeja cuando esté cargada.**

**NUNCA suba o baje el cesto solo de un lado.**



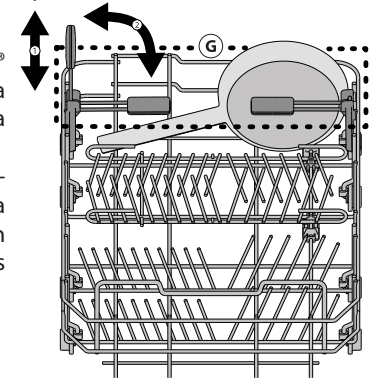
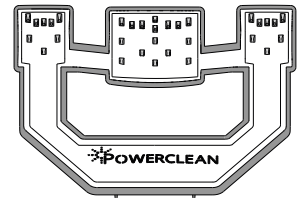
## POWER CLEAN® EN LA BANDEJA INFERIOR

PowerClean® utiliza los chorros de agua especiales de la parte posterior del interior del lavavajillas para limpiar mejor los utensilios muy sucios. La bandeja inferior tiene una **Zona espaciosa**, un soporte extensible especial que se puede utilizar en posición vertical, para que ocupen menos espacio.

Hay que colocar las ollas cacerolas mirando el componente Power Clean® y activar **POWER CLEAN** en el panel.

Cómo utilizar PowerClean®:

1. Ajuste el área de PowerClean® (G) plegando los soportes para platos en la parte posterior para cargar las ollas.
2. Cargue las ollas y cazuelas inclinadas verticalmente en el área de PowerClean®. Las ollas deben estar inclinadas hacia los chorros a presión.



# USO DIARIO

## 1. COMPRUEBE LA CONEXIÓN DE AGUA

Compruebe que el lavavajillas esté conectado al suministro de agua y que el grifo esté abierto.

## 2. ENCIENDA EL LAVAVAJILLAS

Abra la puerta y pulse el botón **ENCENDIDO/APAGADO**.

## 3. LLENADO DEL LAVAVAJILLAS

(consulte **LLENADO DEL LAVAVAJILLAS**).

## 4. LLENADO DEL DISPENSADOR DE DETERGENTE

## 5. SELECCIONE EL PROGRAMA Y PERSONALICE EL CICLO

Seleccione el programa más apropiado según el tipo de vajilla y el nivel de suciedad (consulte **DESCRIPCIÓN DE PROGRAMAS**) pulsando el botón **P**.

Seleccione las opciones deseadas (consulte **OPCIONES Y FUNCIONES**).

## 6. INICIO

Inicie el ciclo de lavado pulsando el botón **INICIO/Pausa** (el led se enciende) y cerrando la puerta en un plazo de 4 seg. Cuando el programa se inicia se oye una señal acústica. Si la puerta no se ha cerrado en un plazo de 4 seg, suena la alarma. En este caso, abra la puerta, pulse el botón **INICIO/Pausa** y vuelva a cerrar la puerta en un plazo de 4 seg.

## 7. FIN DEL CICLO DE LAVADO

El fin del ciclo de lavado se indica mediante señales acústicas y con el parpadeo del número del ciclo de lavado en la pantalla. Abra la puerta y apague el aparato pulsando el botón **ENCENDIDO/APAGADO**.

Espere unos minutos antes de retirar la vajilla, para evitar quemaduras. Descargue las bandejas, empezando por la inferior.

**La máquina se apagará automáticamente durante ciertos periodos largos de inactividad, para minimizar el consumo de electricidad.**

**Si la vajilla está solo ligeramente sucia o si se ha aclarado con agua antes de colocarla en el lavavajillas, le aconsejamos que reduzca la cantidad de detergente utilizada.**

## MODIFICACIÓN DE UN PROGRAMA EN CURSO

Si se ha equivocado al seleccionar el programa, se puede cambiar, siempre que acabe de empezar: abra la puerta, mantenga pulsado el botón **ENCENDIDO/APAGADO**; la máquina se apagará.

Vuelva a encender la máquina con el botón **ENCENDIDO/APAGADO** y seleccione el nuevo ciclo de lavado y cualquier opción que se desee; Inicie el ciclo de lavado pulsando el botón **INICIO/Pausa** y cerrando la puerta en un plazo de 4 seg.

## AÑADIR MÁS VAJILLA

Sin apagar la máquina, abra la puerta (el led **INICIO/Pausa** empieza a parpadear) (**¡tenga cuidado con el vapor CALIENTE!**) y ponga la vajilla dentro del lavavajillas. Pulse el botón **INICIO/Pausa** y cierre la puerta en un plazo de 4 seg; el ciclo se reanuda desde el punto en el cual se interrumpió.

## INTERRUPCIONES ACCIDENTALES

Si se abre la puerta durante el ciclo de lavado, o si hay un corte de corriente, el ciclo se detiene. Pulse el botón **INICIO/Pausa** y cierre la puerta en un plazo de 4 seg; el ciclo se reanuda desde el punto en el cual se interrumpió.

# SUGERENCIAS Y CONSEJOS

## CONSEJOS

Antes de cargar los cestos, elimine todos los residuos de comida de la vajilla y vacíe los vasos. **No es necesario aclarar previamente con agua corriente.** Coloque la vajilla de tal modo que quede bien sujeta y no se vuelque; y coloque los recipientes con las bocas hacia abajo y las partes cóncavas/convexas en posición oblicua, permitiendo que el agua llegue a todas las superficies y fluya libremente.

**Advertencia:** tapas, mangos, bandejas y sartenes no deben impedir que los brazos aspersores giren.

Coloque cualquier objeto pequeño en el canastillo para cuchillería. La vajilla y los utensilios muy sucios se deberían colocar en la bandeja inferior porque en este sector los aspersores de agua son más resistentes y permiten un rendimiento de lavado superior.

Una vez cargado el aparato, asegúrese de que los brazos aspersores puedan girar libremente.

## VAJILLA INADECUADA

- Vajilla y cubiertos de madera.
- Cristalería con adornos delicados, artesanía y vajilla antigua. Los adornos no son resistentes.
- Partes de material sintético que no resistan altas temperaturas.
- Vajilla de cobre y latón.
- Vajilla sucia de ceniza, cera, grasa lubricante o tinta.

Los colores de los adornos del cristal y las piezas de aluminio/plata pueden cambiar y descolorarse durante el proceso de lavado. Algunos tipos de vidrios (p. ej. los objetos de cristal) también pueden volverse opacos después de varios ciclos de lavado.

## DAÑOS A LA CRISTALERÍA Y A LA VAJILLA

- Utilice solo cristalería y porcelana garantizadas por el fabricante como aptas para lavavajillas.
- Utilice un detergente delicado adecuado para la vajilla
- Saque la cristalería y la cubertería del lavavajillas inmediatamente después de la finalización del ciclo de lavado.

## CONSEJOS SOBRE AHORRO ENERGÉTICO

- Si el lavavajillas doméstico se utiliza siguiendo las instrucciones del fabricante, **lavar platos en el lavavajillas suele consumir MENOS ENERGÍA y agua que el lavado a mano.**

- Para maximizar la eficiencia del lavavajillas, **se recomienda iniciar el ciclo de lavado cuando el lavavajillas esté totalmente cargado.** Cargar el lavavajillas doméstico hasta la capacidad indicada por el fabricante contribuirá a ahorrar energía y agua. Puede encontrar información sobre la carga correcta de la vajilla en el capítulo **CARGA DE LAS CESTAS**.

En caso de carga parcial, se recomienda utilizar las opciones de lavado específicas si están disponibles (Media carga/ Zone Wash/ Multizonas), llenando solo las cestas seleccionadas. La carga incorrecta o excesiva del lavavajillas puede aumentar el consumo de recursos (como el agua, la energía y el tiempo, así como el nivel de ruido), reduciendo el rendimiento de lavado y de secado.

- El preaclarado manual de la vajilla conlleva un mayor consumo de agua y energía y no está recomendado.

## HIGIENE

Para evitar malos olores y sedimentos que se pueden acumular en el lavavajillas, **ejecute un programa a alta temperatura al menos una vez al mes.** Utilice una cucharadita de café de detergente y ejecútelos sin carga para limpiar el aparato.

# CUIDADOS Y MANTENIMIENTO

## LIMPIEZA DEL CONJUNTO DE FILTRADO

Limpie regularmente el conjunto de filtrado para que los filtros no se obturen y para que el agua residual salga libremente.

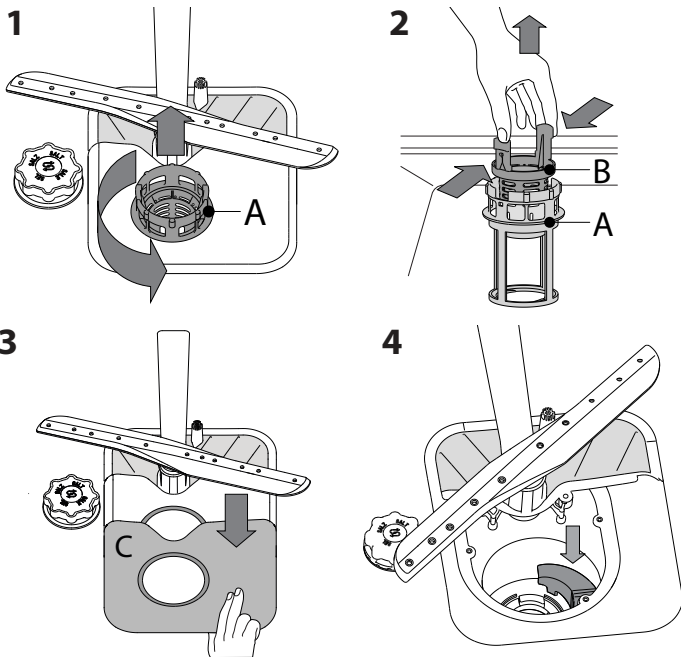
El uso del lavavajillas con los filtros obstruidos o con objetos extraños en el sistema de filtrado o en los aspersores puede provocar fallos de funcionamiento que pueden derivar en una pérdida del rendimiento, un aumento del ruido o un mayor consumo de recursos.

El conjunto de filtrado está formado por tres filtros que eliminan los restos de comida del agua de lavado y que hacen recircular el agua.

**El lavavajillas no se debe usar sin filtros o si el filtro está suelto.**

Al menos una vez al mes o cada 30 ciclos, revise el conjunto de filtrado y, si es necesario, límpielo a fondo con agua corriente, utilizando un cepillo no metálico y siguiendo estas instrucciones:

1. Gire el filtro cilíndrico **A** hacia la izquierda y extráigalo (Fig 1).
2. Extraiga el filtro en forma de saco **B** ejerciendo una ligera presión en las sujeciones laterales (Fig 2).
3. Extraiga el filtro de placa de acero inoxidable **C** (Fig 3).
4. Si encuentra objetos extraños (como cristales rotos, porcelana, huesos, semillas, etc.) **retírelos con cuidado**.
5. Inspeccione la trampilla y retire cualquier resto de comida. **NO RETIRE NUNCA** la protección de la bomba del ciclo de lavado (detalle negro) (Fig 4).



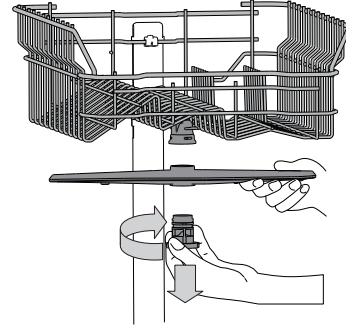
Una vez limpiados los filtros, recolóque el conjunto de filtrado y encájelo correctamente en su sitio; esto es esencial para garantizar el funcionamiento eficiente del lavavajillas.

## LIMPIEZA DE LA MANGUERA DE ENTRADA DE AGUA

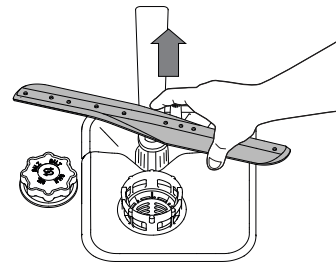
Si las mangueras del agua son nuevas o no se han utilizado durante un largo periodo de tiempo, deje correr el agua para asegurarse de que estén limpias y libres de impurezas antes de realizar las conexiones necesarias. Si no se toma esta precaución, la entrada de agua se podría bloquear y dañar el lavavajillas.

## LIMPIEZA DE LOS BRAZOS ASPERSORES

A veces, los residuos de comida se pueden incrustar en los brazos aspersores y bloquear los orificios por donde sale el agua. Por lo tanto, se recomienda revisar los brazos de vez en cuando y limpiarlos con un pequeño cepillo no metálico.



Para extraer el brazo aspersor superior, gire el anillo de cierre de plástico hacia la derecha. El brazo rociador superior se tiene que recolocar de tal modo que el lado con más agujeros mire hacia arriba.



El brazo aspersor inferior se puede desmontar ejerciendo presión hacia arriba.

## SISTEMA DE ABLANDAMIENTO DE AGUA

El ablandador del agua reduce automáticamente la dureza del agua, evitando así la acumulación de incrustaciones en el calentador y permitiendo también una mayor eficiencia del lavado.

**Este sistema se regenera con sal, por lo que es necesario rellenar el depósito de sal cuando está vacío.**

La frecuencia de la regeneración depende del ajuste del nivel de dureza del agua. La regeneración se produce una vez cada **6** ciclos Eco con la dureza del agua ajustada en el nivel **3**.

El proceso de regeneración comienza en el aclarado final y termina en la fase de secado, antes de que termine el ciclo.

- Una regeneración consume: ~3,5 l de agua;
- Añade hasta 5 minutos adicionales al ciclo;
- Consume menos de 0,005 kWh de energía.

# RESOLUCIÓN DE PROBLEMAS

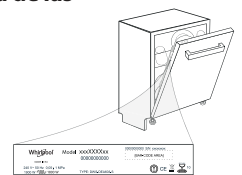
Si su lavavajillas no funciona correctamente, compruebe si el problema se puede resolver revisando la siguiente lista. En caso de errores o problemas, póngase en contacto con nuestro Servicio Postventa, cuyos detalles de contacto puede encontrar en el folleto de la garantía. Las piezas de repuesto estarán disponibles por un período de hasta 7 o hasta 10 años, de acuerdo con los requisitos específicos del Reglamento.

PROBLEMAS	CAUSAS POSIBLES	SOLUCIONES
El indicador de la sal está encendido	El depósito de sal está vacío. (Una vez rellenado, el indicador de la sal puede permanecer encendido durante varios ciclos de lavado).	Llene el depósito con sal (para obtener más información, consulte la página 2). Ajuste la dureza del agua, consulte la tabla de la página 2.
El indicador del abrillantador está encendido	El dispensador de abrillantador está vacío. (Una vez rellenado, el indicador del abrillantador puede permanecer encendido durante varios ciclos de lavado).	Llene el dosificador con abrillantador (para obtener más información, consulte la página 2).
El lavavajillas no se pone en marcha o no responde a las órdenes.	El aparato no está bien enchufado.	Introduzca el enchufe en la toma.
	Apagón.	Por razones de seguridad, el lavavajillas no se reiniciará automáticamente cuando se restablezca la alimentación eléctrica. Abra la puerta del lavavajillas, pulse el botón INICIO/PAUSA y cierre la puerta en un plazo de 4 segundos.
	La puerta del lavavajillas no está bien cerrada.	Empuje fuerte la puerta hasta que oiga el «clic».
	Se interrumpe el ciclo al abrir la puerta durante > 4 segundos.	Pulse INICIO/PAUSA y cierre la puerta antes de 4 segundos.
No responde a las órdenes. La pantalla muestra: El led de 9 o 12 y de Encendido/apagado parpadea rápidamente.	No responde a las órdenes. La pantalla muestra: El led de 9 o 12 y de Encendido/apagado parpadea rápidamente.	Apague el aparato pulsando el botón <b>ENCENDIDO/APAGADO</b> , vuélvalo a encender aproximadamente al cabo de un minuto y reinicie el programa. Si el problema persiste, desenchufe el aparato durante 1 minuto y vuelva a enchufarlo.
	El ciclo de lavado todavía no ha finalizado.	Espera a que el ciclo de lavado termine.
	El tubo de desagüe está doblado.	Compruebe que el tubo de desagüe no esté doblado (consulte las INSTRUCCIONES DE INSTALACIÓN).
El lavavajillas no se vacía. El led de 3 y de Encendido/apagado parpadea rápidamente.	El tubo de desagüe del fregadero está bloqueado.	Limpie el tubo de desagüe del fregadero.
	El filtro está obturado con restos de comida.	Limpie el filtro (consulte la LIMPIEZA DEL CONJUNTO DE FILTRADO).
El lavavajillas hace demasiado ruido.	Los artículos chocan entre ellos.	Coloque la vajilla correctamente (consulte el LLENADO DEL LAVAVAJILLAS).
	Se ha producido una cantidad de espuma excesiva.	El detergente no se ha dosificado correctamente o no es adecuado para lavavajillas (consulte el LLENADO DEL DISPENSADOR DE DETERGENTE). Restablezca el ciclo en curso apagando el lavavajillas, vuélvalo a encender, seleccione un nuevo programa, pulse INICIO/PAUSA y cierre la puerta en un plazo de 4 segundos. No añada detergente.
La vajilla no está limpia.	La vajilla no está bien colocada.	Coloque la vajilla correctamente (consulte el LLENADO DEL LAVAVAJILLAS).
	Los brazos aspersores no pueden girar libremente, obstaculizados por la vajilla.	Coloque la vajilla correctamente (consulte el LLENADO DEL LAVAVAJILLAS).
	El ciclo de lavado es demasiado suave.	Seleccione un ciclo de lavado adecuado (consulte la TABLA DE PROGRAMAS).
	Se ha producido una cantidad de espuma excesiva.	El detergente no se ha dosificado correctamente o no es adecuado para lavavajillas (consulte el LLENADO DEL DISPENSADOR DE DETERGENTE).
	El tapón del compartimento del abrillantador no se ha cerrado correctamente.	Compruebe que el tapón del dispensador de abrillantador esté cerrado.
	El filtro está sucio u obturado.	Limpie el conjunto de filtrado (consulte CUIDADO Y MANTENIMIENTO).
El lavavajillas no se llena de agua. El led de H, 6 y de Encendido/Apagado parpadea rápidamente.	No hay sal.	Llene el depósito de sal (consulte el LLENADO DEL DEPÓSITO DE SAL).
	No hay entrada de agua o el grifo está cerrado.	Compruebe que haya suministro de agua o que el grifo esté abierto.
	La manguera de entrada está doblada.	Asegúrese de que la manguera de entrada no esté doblada (consulte INSTALACIÓN) vuelva a programar el lavavajillas y reinicie.
El lavavajillas finaliza el ciclo de forma prematura. El led de 15 y de Encendido/Apagado parpadea rápidamente.	El tamiz de la manguera de entrada está obstruido; hay que limpiarlo.	Una vez comprobado y limpiado, apague y encienda el lavavajillas y reinicie un nuevo programa.
	El tubo de desagüe está demasiado bajo o bloquea el sistema de desagüe de la casa.	Compruebe si el extremo del tubo de desagüe está colocado a la altura correcta (consulte INSTALACIÓN). Compruebe si está obstruyendo el sistema de desagüe de la casa e instale una válvula de entrada de aire si es necesario.
La fuga de detergente.	Aire en el suministro de agua.	Compruebe que el suministro de agua no tenga fugas o defectos que dejen entrar aire.
	Depende del detergente líquido utilizado y puede acentuarse en caso de opción de retardo activada.	Las pequeñas fugas no provocarán un mal funcionamiento de la máquina y pueden evitarse cambiando el tipo de detergente líquido o utilizando pastillas.

Puede consultar los reglamentos, la documentación estándar, así como pedir piezas de repuesto, mediante alguna de las siguientes formas:

- Utilizar el código QR en su producto.
- Visitando nuestra página web [docs.whirlpool.eu/docs](https://docs.whirlpool.eu/docs) y [parts-selfservice.europeanappliances.com](https://parts-selfservice.europeanappliances.com)
- También puede, **ponerse en contacto con nuestro Servicio postventa** (Consulte el número de teléfono en el folleto de la garantía). Cuando se ponga en contacto con nuestro Servicio Postventa, deberá indicar los códigos que figuran en la placa de características de su producto.

La información del modelo puede consultarse a través del código QR de la etiqueta energética. La etiqueta también contiene el identificador del modelo que puede usarse para consultar el portal del registro en <https://eprel.ec.europa.eu>.



# IGAPÄEVANE KASUTUS JUHEND



## TÄNAME, ET OSTSITE WHIRLPOOL TOOTE.

Täielikuma tugiteenuse saamiseks registreerige oma seade  
adressil: [www.whirlpool.eu/register](http://www.whirlpool.eu/register)

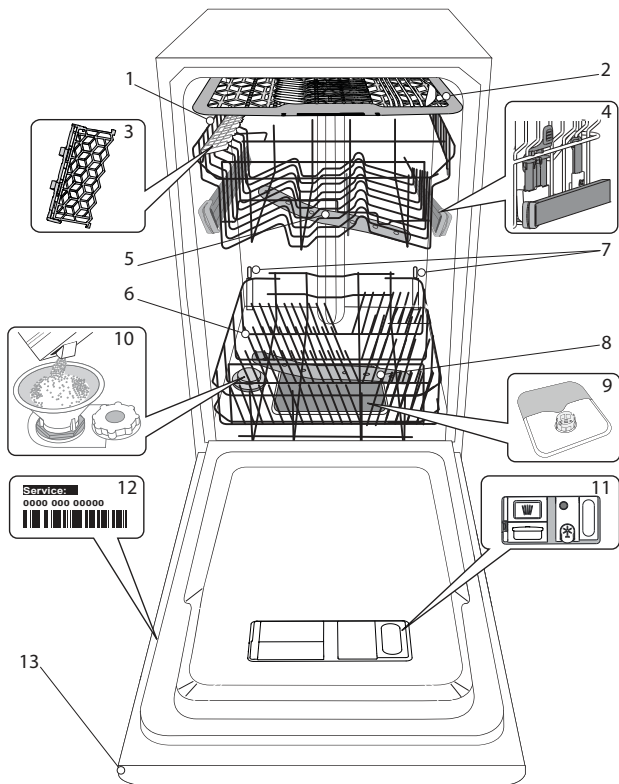
## LISATEABE SAAMISEKS SKANNIGE SEADMEL OLEV QR-KOOD



**!** Enne seadme kasutamist lugege tähelepanelikult läbi  
Ohutusjuhised.

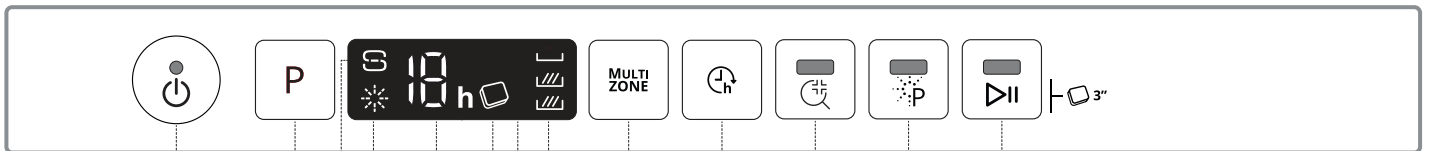
## TOOTE KIRJELDUS

### SEADE



1. Ülemine rest
2. Söögiiristade rest
3. Kokkukäivad labad
4. Ülemise resti kõrguse regulaator
5. Ülemine pihustushoob
6. Alumine rest
7. Power Clean® tugi
8. Alumine pihustushoob
9. Filtrikoost
10. Soolanõu
11. Pesu- ja loputusvahendi dosaatorid
12. Andmeplaat
13. Juhtpaneel

### JUHTPANEEL



1. Sisse-/Välja ja taaslähtestuse nupp koos indikaatortulega
2. Programminupp
3. Soola lisamise vajaduse indikaatortuli
4. Loputusvahendi lisamise vajaduse indikaatortuli
5. Programmi number ja viiteaja indikaator
6. Tablett (Tab) indikaatortuli
7. Ekraan
8. Multizone indikaatortuli
9. Multizone nupp
10. Viitstardi nupp
11. Antibakteriaalne loputus nupp koos indikaatortulega
12. Power Clean® nupp koos indikaatortulega
13. STARDI/Pausi nupp koos indikaatortulega / Tablett (Tab)

# ESMAKASUTUS

## SOOL, LOPUTUSVAHEND JA PESUVAHEND


### NÕUANDEID ESMAKASUTUSEKS

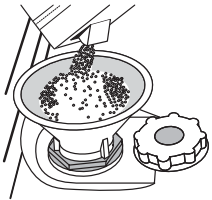
Seadme paigaldamise järel eemaldage restide stopperid ja ülemise resti elastsed fiksaatorid.

### SOOLANÕU TÄITMINE

Soola kasutamine aitab vältida KATLAKIVI kogunemist nõudele ja masina funktsionaalsetele osadele.

- **SOOLANÕU** ei tohi **KUNAGI TÜHI OLLA**.
- Vee kareduse määramine on tähtis.

Soolanõu asub nõudepesumasina allosas (vt jaotist **TOOTE KIRJELDUS**) ja seda tuleb täita, kui juhtpaneelil süttib **SOOLA LISAMISE** märgutuli .



1. Eemaldage alumine rest ja keerake soolanõu kork lahti (vastupäeva).
2. **Ainult esimene kord, kui seda teete: täitke soolanõu veega.**
3. Paigaldage lehter (vt joonis) ja täitke soolanõu servani (umbes 1 kg); seejuures võib nõust väljuda vett.
4. Eemaldage lehter ja pühkige avalt soolajäägid.

Keerake kork kõvasti kinni, nii et pesuprogrammide ajal ei pääseks soolanõusse pesuvahendit (see võib veepihendajat tõsiselt kahjustada).

**Kui on vaja soola lisada, tuleb seda roostetamise ärahoidmiseks teha enne pesutsükli alustamist.**

### VEE KAREDUSE MÄÄRAMINE

Et veepihendaja saaks ideaalselt töötada, peab vee karedus olema määratud vastavalt vee reaalsele karedusele teie kodus. Seda teavet saate oma vee-ettevõttelt.

Tehases määratakse vee kareduse vaikeväärtus.

- Lülitage seade **SISSE/VÄLJA** nupust sisse.
- Lülitage seade **SISSE/VÄLJA** nupust välja.
- Hoidke **P** nuppu viie sekundi vältel all, kuni kuulete signaali.
- Lülitage seade **SISSE/VÄLJA** nupust sisse.
- Valitud veekareduse number ja soola lisamise vajaduse indikaator-tuli vilguvad.
- Vajutage nuppu **P** soovitud karedustaseme valimiseks (vt **VEE KARE-DUSE TABELIT**).

Vee kareduse tabel			
Tase	°dH Saksa kraadid	°fH Prantsuse kraadid	°Clark (UK) kraadid
1	Pehme	0 - 6	0 - 10
2	Keskmine	7 - 11	11 - 20
3	Keskmine	12 - 16	21 - 29
4	Kare	17 - 34	30 - 60
5	Väga kare	35 - 50	61 - 90

- Lülitage seade **SISSE/VÄLJA** nupust välja.

Vee karedus on määratud!

Kohe pärast seda protseduuri käivitage suvaline pesuprogramm ilma nõusid masinasse panemata.


**Kasutage ainult spetsiaalselt nõudepesumasinatele mõeldud soola.** Kui olete soola masinasse valanud, kustub **SOOLA LISAMISE** vajaduse indikaator-tuli.

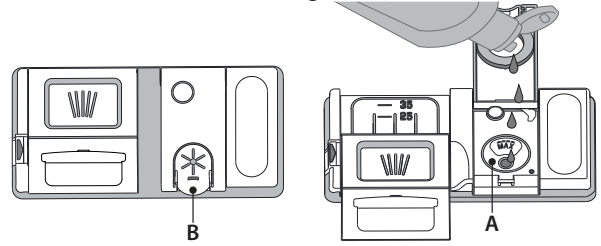
**Kui soolanõu ei ole täidetud, võib katlakivi kogunemine kahjustada veepihendajat ja kütteelementi.**

**Soola on soovitatav kasutada igat tüüpi nõudepesumasina pesuainega.**

### LOPUTUSVAHENDI DOSAATORI TÄITMINE

Loputusvahend muudab nõude **KUIVATAMISE** lihtsamaks.

Loputusvahendi dosaator **A** vajab täitmist, kui juhtpaneelil põleb **LOPUTUSVAHENDI LISAMISE** märgutuli .



1. Dosaatori **B** avamiseks vajutage kaanel olevat sakk ja tõmmake seda enda poole.
2. Valage dosaatorisse ettevaatlikult loputusvahendit, kuni selle tase jõuab maksimumtasel (110 ml) näitava sälguni täiteaval - vältige loputusvahendi mahavoolamist. Kui see juhtub, kuivatage maha voolanud vahend kohe kuiva lapiga.
3. Vajutage kaant, kuni see klõpsuga sulgub.

**ÄRGE valage loputusvahendit otse pesukambrisse.**

### LOPUTUSVAHENDI DOOSI REGULEERIMINE

Kui te ei ole kuivatamise tulemustega täielikult rahul, saate kasutatava loputusvahendi kogust reguleerida.

- Lülitage nõudepesumasina **SISSE/VÄLJA** nupust sisse.
- Lülitage see **SISSE/VÄLJA** nupust välja.
- Vajutage kolm korda nuppu **P** - kostab helisignaali.
- Lülitage see **SISSE/VÄLJA** nupust sisse.
- Valitud taseme number ja loputusvahendi lisamise indikaator-tuli vilguvad.
- Vajutage nuppu **P**, et valida loputusvahendi lisamise soovitud tase.
- Lülitage see **SISSE/VÄLJA** nupust välja.

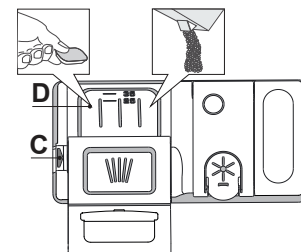
Vee karedus on määratud!

Kui loputusvahendi tasemeks on määratud **NULL (ÖKO)**, siis loputusvahendit ei kasutata. Kui loputusvahend otsa saab, ei sütti **LOPUTUSVAHENDI LÕPPEMISE** indikaator-tuli. Olenevalt nõudepesumasina mudelist saab valida kuni 5 taseme vahel. Tehasesäte on mudelispetsiifiline, järgige ülalpool toodud juhiseid, et seda oma masinal kontrollida.

- Kui nõudel esineb sinakaid jälgi, määrake madalam tase (1-2).
- Kui nõudel on veepiiskade või katlakivi jälgi, määrake kõrgem tase (3-4).

### PESUVAHENDI DOSAATORI TÄITMINE

**Pesuvahendi dosaatori avamiseks kasutage avamisseadet C. Pange pesuvahend ainult kuiva dosaatorisse D. Eelpesu jaoks mõeldud pesuvahend pange otse pesukambrisse.**



1. Pesuvahendi doseerimisel kasutage õige koguse määramiseks eelmainitud teavet. Dosaatori **D** sees on näidud abiks puhastusvahendi doseerimisel.
2. Puhastage dosaatori servadelt pesuvahendi jäägid ja sulgege kaas (kostab klõpsatus).
3. Pesuvahendi dosaatori kaane sulgemiseks tõmmake seda ülespoole, kuni sulgemisseade on kindlalt oma kohal.

Pesuvahendi dosaator avaneb automaatselt, kui vastavas programmis on selleks õige hetk käes.

Kõik-ühes-pesuvahendite kasutamisel soovitate kasutada nuppu **TABLETT**, sest see muudab programmi selliselt, et oleks tagatud parimad pesemis- ja kuivatamistulemused.

**Muu pesuaine peale nõudepesumasina oma kasutamine võib kasa tuua seadme rikke.**

# PROGRAMMIDE TABEL

Programm	Kuivatamine faas	NaturalDry	Saadaolevad valikud *)	Pesu programmi kestus (t:min)**	Veekulu (liitrit tsükli kohta)	Elektrikulu (kWh/tsükkel)
1. Säästurežiim (Öko) ECO 50°	✓	✓	MULTI ZONE	3:40	9,0	0,67
2. 6 <sup>th</sup> Sense® 50-60°	✓	✓	MULTI ZONE	1:20 - 3:00	7,0 - 14,0	0,70 - 1,10
3. Intensiivrežiim 65°	✓	✓	MULTI ZONE	2:45	17,5	1,60
4. Kiirpesu ja kuivatamine 50°	✓	✓	MULTI ZONE	1:25	11,5	1,10
5. Kristallid 45°	✓	✓	MULTI ZONE	1:40	12,0	1,20
6. Kiire 30' 50°	-	✓	MULTI ZONE	0:30	9,0	0,50
7. Eelpesu -	-	-	MULTI ZONE	0:10	4,5	0,01
8. Isepuhastuse programm 65°	-	-		0:50	8,0	0,85

Säästuprogrammi andmed on mõõdetud laboratoorses tingimustes vastavalt Euroopa standardile EN 60436:2020.

Märkus katselaboritele: teavet võrdlevate EN-katsetingimuste kohta saate meiliaadressil: [dw\\_test\\_support@europeanappliances.com](mailto:dw_test_support@europeanappliances.com)

Nõude eeltöötlus ei ole ühegi programmi kasutamise eelselt vajalik.

\*) Kõiki valikuid korraga kasutada ei saa.

\*\*\*) Programmide väärtused (v.a Säästurežiim (Öko)) on ainult näitlikud. Tegelik aeg võib varieeruda olenevalt paljudest teguritest, nagu näiteks sissevõetava vee temperatuur ja rõhk, toatemperatuur, pesuvahendi kogus, pestavate nõude hulk ja tüüp, nõude paigutus, lisavalikud ja anduri kalibreering. Anduri kalibreering võib pikendada programmi kestust kuni 20 minuti võrra.

## PROGRAMMIDE KIRJELDUS

### Juhised pesutsükli valimiseks.

#### 1 SÄÄSTUREŽIIM (ÖKO)

Säästuprogramm sobib tavaliselt määratud nõude pesemiseks, see programm kasutab selleks otstarbeks kõige optimaalsemalt energiat ja vett ning seda programmi kasutatakse Euroopa Liidu ökodisaini nõuetega vastavuses olemise hindamiseks.

#### 2 6<sup>th</sup> SENSE®

Keskmiselt määratud nõud, millel on kuivanud toidujääke. Tuvastab nõude määrumisastme ning reguleerib programmi sellele vastavalt. Ajaks, mil andur tuvastab nõude määrumisastet, ilmub ekraanile animatsioon ja tsükli kestust muudetakse.

#### 3 INTENSIIVREŽIIM

Soovitav tugevasti määratud sööginõude pesemiseks. Eriti sobiv pannide ja pottide pesemiseks (ärge kasutage õrnade nõude puhul).

#### 4 KIIRPESU JA KUIVATAMINE

Normaalselt määratud toidunõud. Igapäevane tsükkel, mis tagab optimaalse puhastuse ja kuivatuse lühema aja jooksul.

#### 5 KRISTALLID

Programm õrnade nõude pesemiseks, mis on tundlikumad kõrgete temperatuuride suhtes, nt klaasid ja tassid.

#### 6 KIIRE 30'

Programm poole masinatäie kergelt määratud kuivanud toidujääkidega nõude pesemiseks. Ilma kuivatusfaasita.

#### 7 EELPESU

Kasutatakse lauanõude värskendamiseks, et neid hiljem pesta. Selle programmiga pesuvahendit ei kasutata.

#### 8 ISEPUHASTUSE PROGRAMM

Programm kasutamiseks nõudepesumasina hooldamisel, teostada ainult TÜHJA nõudepesumasina korral kasutades nõudepesumasina hooandmiseks mõeldud spetsiaalseid puhastusvahendeid.

#### Märkused:

Arvestage, et tsükkel *Kiire 30'* on mõeldud kergelt määratud nõude jaoks.

# VALIKUD JA FUNKTSIOONID

VALIKUTE valimiseks tuleb vajutada vastavat nuppu (vt jaotist JUHTPANEEL).

**Kui valik ei ole konkreetse programmi puhul saadaval (vt PROGRAMMIDE TABELIT), vilgub vastav LED-tuli kiiresti kolm korda ja kostavad helisignaale. Valikut ei käivitata.**

## MULTI ZONE MULTIZONE

Kui pesemist vajavaid nõusid ei ole palju, võib vee, elektri ja pesuvahendi kokkuhoiduks kasutada poole koguse programmi. Valige programm ja vajutage MULTIZONE nuppu: valitud resti sümbol kuvatakse ekraanile. Vaikimisi peseb seade nõusid mõlemal restil.

Ainult ühel restil pesemiseks vajutage korduvalt sellele nupule:



kuvatakse ekraanil (ainult alumine rest)



kuvatakse ekraanil (ainult ülemine rest)



kuvatakse ekraanil (ainult söögiriistade rest)



Ikuvatakse ekraanil (valik on VÄLJA lülitatud ja seade peseb nõusid kõigil restidel).

**Ärge unustage paigutada nõusid ainult ülemisele või alumisele restile ja vähendada vastavalt ka pesuvahendi kogust.**

**Kui ülemine rest eemaldatakse, pange pesuaine otse vanni, mitte pesuainesahtlisse.**

## VIITSTART

Programmi algusaega võib 1–12 tundi edasi lükata.

1. Vajutage nuppu VIITSTART: ekraanil kuvatakse vastav sümbol „h“; iga nupuvajutusega pikeneb valitud pesutsükli käivitumiseni jääv aeg (1 tund, 2 tundi jne, kuni 12 tunnini).
2. Valige pesuprogramm, vajutage nuppu STARDI/Pausi ja sulgege 4 sekundi jooksul uks: taimer hakkab aega lugema.
3. Kui määratud aeg on möödunud, kustub indikaatorituli „h“ ja pesutsükkel algab.

Viitaja muutmiseks ja lühema ajavahemiku valimiseks vajutage VIITSTARDI nuppu. Loobumiseks vajutage korduvalt nuppu, kuni valitud viitstardi indikaatorituli „h“ välja lülitub.

**Kui programm on käivitunud, ei saa VIITSTARDI valikut aktiveerida.**

## ANTIBAKTERIAALNE LOPUTUS

Seda võimalust võib kasutada pestud nõude steriliseerimiseks. Viimane loputus toimub kõrgemal temperatuuril ja valitud programmile lisatakse bakterivastane pesu.

Valige pesuprogramm ja vajutage ANTIBAKTERIAALNE LOPUTUS nuppu; süttib indikaatorituli. Valiku tühistamiseks vajutage uuesti sama nuppu. Sobib ideaalselt toidunõude ja lutipudelite pesemiseks. Bakterite hulga vähendamise tagamiseks peab nõudepesumasina uks olema kogu programmi vältel suletud. Kui uks on avatud, hakkab indikaatorituli vilkuma.

**HOIATUS! Selle tsükli lõppedes võivad nõud olla äärmiselt kuumad.**



## POWER CLEAN®

See valik tagab täiendavate veejuga abil alumisel restil konkreetsele alale intensiivsema pesemise. Seda valikut soovitame kasutada pottide ja pannide pesemiseks. Vajutage seda nuppu, et POWER CLEAN aktiveerida (indikaatorituli süttib).

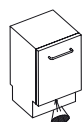


## TABLETT

See säte võimaldab teil optimeerida tsükli tulemusi vastavalt kasutatavale pesuvahendile.

Vajutage STARDI/Pausi nuppu kolme sekundi vältel (süttib vastav tuli), kui te kasutate kombineeritud pesuvahendeid tableti kujul (loputusvahend, sool ja pesuvahend ühes doosis koos).

**Kui kasutate pesuvahendit pulbri või vedeliku kujul, peab see valik olema välja lülitatud.**



## TÖÖNÄIDIK

Pörandale projitseeritav LED-tuli näitab, et pesumasin töötab. Valida saab ühe järgmistest töörežiimidest:

- a. Funktsioon väljalülitatud.
- b. Tsükli alguses süttib tuli mõneks sekundiks, kustub tsükli ajaks ära ja hakkab tsükli lõpus vilkuma.
- c. Tuli põleb tsükli ajal ja vilgub selle lõppedes (vaikerežiim). Kui valitud oli viitstart, süttib tuli kas algul mõneks sekundiks või kogu viitajaks olenevalt sellest, kas määratud on režiim b või c.

Kui uks avada, kustub tuli alati. Soovitud režiimi valimiseks lülitage masin sisse, hoidke all nuppu P, kuni ekraanile ilmub üks kolmest tähest, vajutage nuppu P, kuni olete jõudnud soovitud režiimini, valiku kinnitamiseks hoidke nuppu P all.

**Märkus. Kui NaturalDry on aktiivne ja avab ukse, ei vilgu tööindikaator tsükli lõpus.**

## NaturalDry

NaturalDry on konvektsioonkuivatussüsteem, mis avab ukse automaatselt, kuivatusfaasi ajal/järel, et tagada alati tõhus kuivatamine. Uks avaneb temperatuuril, mis on kõõgimööbli jaoks ohutu, seega ei avata ust, kui kasutusel on funktsioon ANTIBAKTERIAALNE LOPUTUS.

Lisakaitseks auru eest on nõudepesumasinal lisatud spetsiaalselt loodud kaitsefoolium. Kaitsefooliumi paigaldusjuhiseid vaadake PAIGALDUSJUHENDist.

Kasutaja saab NaturalDry-funktsiooni keelata järgmiselt toimides:

1. Minge nõudepesumasina tarkvara menüüsse, vajutades ja hoides all nuppu P (6 sekundit).
2. Hetkel olete valgusmenüüs (lugege TOIMINGU INDIKAATORI kirjeldust), kui te midagi muuta ei soovi, vajutage ja hoidke all nuppu P (kuni ekraanil kuvatakse üks kahest tähest).
3. Lülitage sisse NaturalDry-menüü, NaturalDry-funktsiooni olekut saate muuta, vajutades nuppu P:

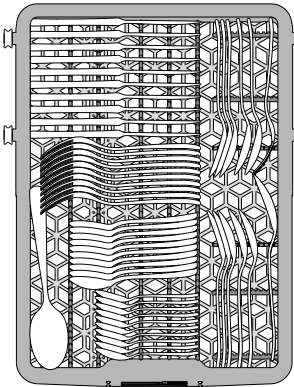
**E** – aktiveeritud

**d** – inaktiveeritud

Muudatuse kinnitamiseks ja juhtmenüüst väljumiseks vajutage ja hoidke all nuppu P (3 sekundit).

# RESTIDE TÄITMINE

## SÖÖGIRIISTADE REST

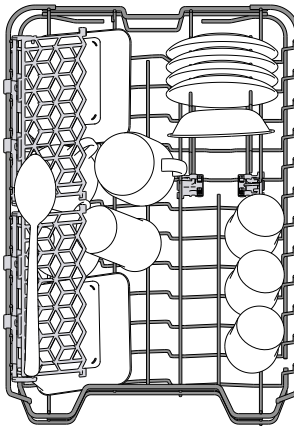


Kolmas rest on mõeldud söögiriistade jaoks. Paigutage söögiriistad, nagu joonisel näidatud.

Söögiriistade eraldi paigutamine teeb nende kokkukogumise pärast pesu lihtsamaks ja parandab nende pesemist ja kuivatamist.

**Noad ja muud teravad esemed tuleb paigutada teradega allapoole.**

## ÜLEMINE REST



(ülemise resti laadimisnäidis)

Siia paigutage õrnemad ja kergemad nõud: klaasid, tassid, alustassid, madalad salatikausid.

Ülemisel restil on ülestõstetavad toed, millega võib toetada näiteks üksteise kõrvale seatud alustasse, või hoida need all, kui restil on kausid ja toidukarbid.

## ÜLEMISE RESTI KÕRGUSE REGULEERIMINE

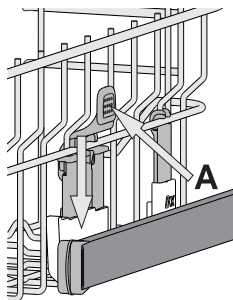
Ülemise resti kõrgust saab reguleerida: kui see paigutada kõrgemale, mahuvad alumisele restile suuremad nõud, kui see aga seada madalamale, saab paremini ära kasutada ülemise resti tugesid, luues üles rohkem ruumi ja vältides kokkupuudet alumisel restil asuvate nõudega.

Ülemisel restil on olemas **ülemise resti kõrguse regulaator** (vt joonis), resti tõstmiseks pole vaja hoobasid vajutada, vaid tõstke seda lihtsalt äärtest hoides ülespoole, kuni see on stabiilselt ülemises positsioonis paigal.

Tagasi alumisse positsiooni paigutamiseks vajutage hoobasid **A** resti äärtele ja liigutage korvi allapoole.

**On äärmiselt soovitatav mitte muuta resti kõrgust siis, kui see on nõusid täis.**

**ÄRGE tõstke või langetage korvi ainult ühelt poolt.**

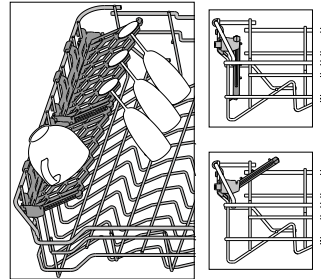


## REGULEERITAVA PAIGUTUSEGA KOKKUKÄIVAD LABAD

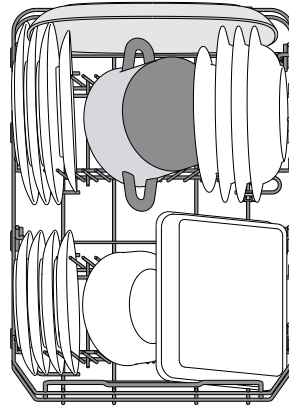
Külmised kokkukäivad labad on võimalik kokku panna või lahti võtta, et optimeerida restil olevate nõude paigutust.

Veiniklaasid saab turvaliselt kokkukäivate labade vahele paigutada, seades klaasi jala vastavasse pilusse. Sõltuvalt mudelist:

- laba lahtitegemiseks tuleb seda üles lükata ja pöörata, et see klambrite küljest vabastada, ning seejärel alla tõmmata.
- laba kokkupanemiseks tuleb seda pöörata ja alla lükata või üles tõmmata, et see klambrite külge kinnitada.



## ALUMINE REST



(alumise resti laadimisnäidis)

Pottidele, pannidele, taldrikutele, salatikaussidele, söögiriistadele jne. Ideaaljuhul tuleks taldrikud paigutada külgedele, et need ei puutuks kokku pihustihoovaga.

Alumisel restil on olemas ülestõstetavad toed, millega saab toetada taldrikuid, kui need on laotud püstises asendis üksteise kõrvale, või hoida all, kui restile on laotud potid ja salatikausid.

## POWER CLEAN® PUHASTUS ALUMISEL RESTIL

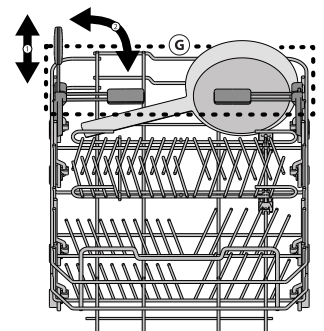
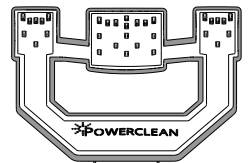
Võimas Power Clean® puhastus kasutab pesumasina tagaosas spetsiaalseid veejugasid, et pesta tugevalt määrdunud esemeid suurema intensiivsusega.

Kui olete pannid ja potid Power Clean® -i konstruktsiooni ette paigutanud, aktiveerige juhtpaneelilt **POWER CLEAN** puhastus.

Alumise resti tagaosas on olemas spetsiaalne tugikonstruktsioon pannide või kúpsetusvormide paigutamiseks vertikaalselt, et need vähem ruumi võtaks.

Kuidas Power Clean®-i kasutada:

1. Reguleerige Power Clean®-i ala (G), pöörates pottide mahutamiseks tagumised taldrikuhoidjad alla.
2. Laduge potid ja kastrulid vertikaalselt Power Clean®-i alale. Potid peavad olema veejugade suunas kaldu.



# IGAPÄEVANE KASUTAMINE

## 1. VEEÜHENDUSE KONTROLL

Veenduge, et nõudepesumasin on veevärgiga ühendatud ja kraan on lahti.

## 2. LÜLITAGE NÕUDEPESUMASIN SISSE

Avage uks ja vajutage **SISSE/VÄLJA** nuppu.

## 3. PANGE NÕUD RESTIDELE (vt jaotist RESTIDE TÄITMINE).

## 4. PESUVAHENDI DOSAATORI TÄITMINE

## 5. VALIGE PROGRAMM JA SOBIV PESUTSÜKKEL

Et valida kõige sobivam programm vastavalt pesemist vajavate nõude tüübile ja määrdumisastmele (vt jaotist PROGRAMMIDE KIRJELDUS), vajutage nuppu **P**.

Tehke soovitud valikud (vt jaotist VALIKUD JA FUNKTSIOONID).

## 6. START

Käivitage pesutsükkel, vajutades nuppu **STARDI/Pausi** (süttib LED-lamp) ja sulgedes uks 4 sekundi jooksul. Kui programm käivitub, kuulete üksikut piiksu. Kui ust 4 sekundi jooksul ei suleta, kõlab alarm. Sel juhul avage uks, vajutage nuppu **STARDI/Pausi** ja sulgege taas uks 4 sekundi jooksul.

## 7. PESUTSÜKLI LÖPP

Pesutsükli lõppemisele viitavad piiksumine ja ekraanil vilkuv pesutsükli number. Avage uks ja lülitage seade **SISSE/VÄLJA** nupust välja. Põletuste vältimiseks oodake paar minutit enne nõude väljavõtmist. Tühjendage restid, alustades alumisest.

Pikemate jõudeperioodide ajal lülitub masin automaatselt välja, et minimeerida elektrikulu. Kui nõud ei ole eriti määrdunud või neid on enne masinasse paigutamist jooksva veel all loputatud, vähendage vastavalt ka pesuvahendi kogust.

## TÖÖTAVA PROGRAMMI MUUTMINE

Vale programmi valimise korral on võimalik seda muuta, kui programm on tööd äsja alustanud: avage uks, vajutage ja hoidke all nuppu **SISSE/VÄLJA** ning masin lülitub välja.

Lülitage masin **SISSE/VÄLJA** nuppu vajutades taas sisse ja valige uus pesutsükkel ning võimalikud lisavalikud; käivitage tsüklit, vajutades nuppu **STARDI/Pausi** ja sulgedes uks 4 sekundi jooksul.

## NÕUDE LISAMINE

Avage masinat välja lülitamata uks (LED-lamp **STARDI/Pausi** hakkab vilkuma) (**olge ettevaatlik KUUMA auruga**) ja pange nõud nõudepesumasinasse. Vajutage nuppu **STARDI/Pausi** ja sulgege uks 4 sekundi jooksul, tsüklit jätkub kohast, kus see katkestati.

## OOTAMATUD KATKESTUSED

Kui pesutsükli ajal avatakse uks või esineb elektrikatkestus, siis tsüklit peatub. Tsükli jätkamiseks katkestamise kohast vajutage nuppu **STARDI/Pausi** ja sulgege uks 4 sekundi jooksul.

# NÕUANDED JA NÄPUNÄITED

## NÕUANDED

Enne nõude korvi ladumist pühkige neilt toidujäägid ja valage klaasid tühjaks. **Nõusid eelnevalt jooksva vee all loputada ei ole vaja.**

Paigutage nõud nii, et need on kindlalt paigas ega saa ümber kukkuda; anumad seadke avaga allapoole ja kumerad/nõgusad pinnad kaldu, et vesi pääseks igale pinnale ligi ja saaks vabalt voolata.

**Hoiatus!** Kaaned, käepidemed, kandikud ja pannid ei tohi takistada pihustihoobade pöörlemist.

Väikesed esemed paigutage söögiriistade korvi.

Tugevalt määrdunud nõud ja potid-pannid tuleks asetada alumisse korvi, sest selles osas on veejoad tugevamad ja pesemine tõhusam.

Kui olete nõud masinasse pannud, kontrollige, et pihustihood saavad vabalt pöörlelda.

## SOBIMATUD NÕUD

- Puidust nõud ja söögiriistad.
- Õrnad kaunistustega klaasid, kunstkäsitöö ja antiiknõud. Nende kaunistused ei talu masinpesu.
- Sünteetilistest, suurt kuumust mittetaluvatest materjalidest esemed.
- Vasest ja tinast nõud.
- Tuha, vaha, määrdainete või tindiga määrdunud nõud. Klaasimaalingute ja alumiiniumist/hõbedast nõude värvid võivad pesu käigus muutuda. Mõned klaasisordid (nt kristallesemed) võivad mitme pesutsükli tagajärjel muutuda ka läbipaistmatuks.

## KLAAS- JA PORTSELANNÕUDE KAHJUSTUSED

- Peske masinas ainult selliseid nõusid, mille kohta tootja on kinnitanud, et need sobivad masinpesuks.
- Kasutage nõudega sobivat õrnatoimelist pesuvahendit.
- Võtke klaasid ja söögiriistad kohe pärast pesutsükli lõppu masinast välja.

## SOOVITUSED ENERGIA KOKKUHOIUKS

- Kui kodust nõudepesumasinat kasutatakse tootja juhiste kohaselt, **kulutab nõude pesemine nõudepesumasinas üldiselt VÄHEM ENERGIAT ja vett kui käsitsipesu.**
- Nõudepesumasina optimaalseks kasutuseks **on soovitatav käivitada pesutsükkel siis, kui masin on täis.** Koduse nõudepesumasina tootja poolt lubatud mahuni täis laadimine aitab säästa energiat ja vett. Teavet nõude õigesti laadimise kohta leiate peatükist RESTIDE TÄIS LAADIMINE. Osalise täitmise korral on soovitatav võimaluse korral kasutada spetsiaalseid programme (Half load (Pool täit) / Zone Wash (Tsoonipesu) / Multizone (Mitu tsooni)) ja täita vaid valitud restid. Nõudepesumasina valesti täitmine ja ületäitmine võib rohkem ressursse kulutada (vesi, energia ja aeg, suurem müra) ning vähendada pesu ja kuivatamise kvaliteeti.
- Nõude käsitsi eelloputus suurendab vee ja energia kulu ning ei ole soovitatav.

## HÜGIEEN

Vältimaks ebameeldivaid lõhnu ja setteid, mis võivad masinasse koguneda, **käivitage vähemalt kord kuus mõni kõrge temperatuuriga programm.** Pange masinasse teelusikatäis pesuvahendit ja laske programmil lõpuni käia ilma nõusid masinasse panemata.

# HOOLDUS

## FILTRI PUHASTAMINE

Puhastage filtrikoostu regulaarselt, et filtrid ei ummistuks ja vesi saaks vabalt masinast välja voolata.

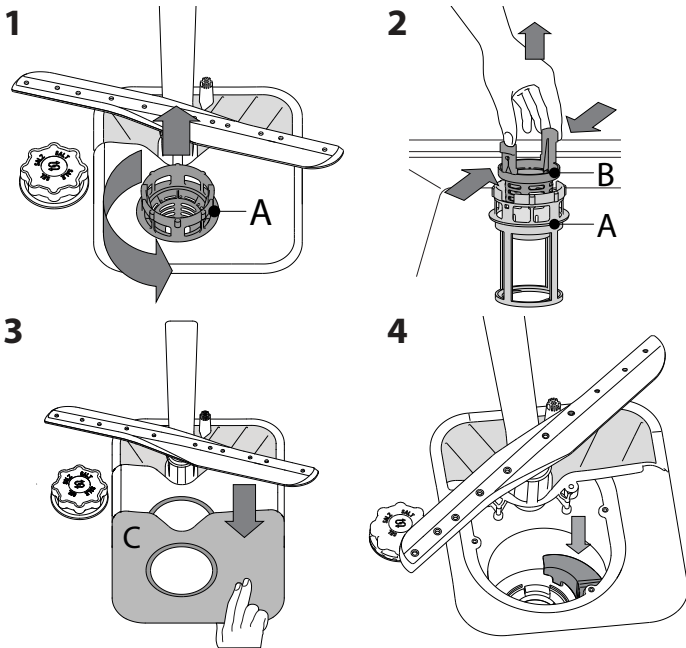
Nõudepesumasina kasutamine ummistunud filtritega või võõrkehadega filtrisüsteemis või pihustivartel võib kaasa tuua seadme talitlushäired, nagu jõudluse vähenemine, müra suurenemine ja suurem ressursikasutus.

Filtrikoost koosneb kolmest filtrist, mis koguvad pesuveest kokku toiduosakesed ja suunavad siis vee taasinglusse.

**Nõudepesumasinat ei tohi kasutada, kui filtrid puuduvad või on kinnitatud.**

Kontrollige filtrikoostu vähemalt üks kord kuus või iga 30 tsükli tagant ja vajaduse korral puhastage seda põhjalikult jooksva vee all, kasutades allpool toodud juhiste kohaselt mittemetallist harja:

1. Keerake silindrilist filtrit **A** vastupäeva ja tõmmake see välja (joonis 1).
2. Eemaldage kuppelfilter **B**, avaldades selle küljetiibadele kergest survet (joonis 2).
3. Libistage välja roostevabast terasest plaatfilter **C** (joonis 3).
4. Kui leiate võõrkehaid (purunenud klaas, portselan, kondid, seemned vms), eemaldage need ettevaatlikult.
5. Kontrollige filtrilõksu ja eemaldage sellest kõik toidujäägid. **ÄRGE KUNAGI EEMALDAGE** pesutsükli pumba kaitset (must detail) (joonis 4).



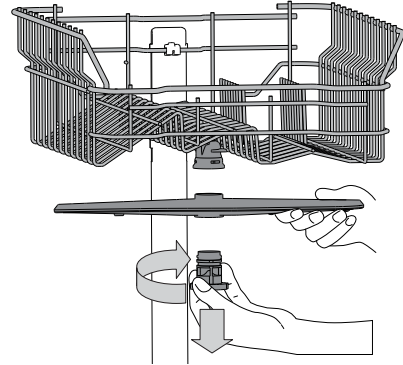
Pärast filtrite puhastamist pange filtrikoost tagasi ja kinnitage korralikult oma kohale; see on nõudepesumasina tõhusa töö tagamiseks ülioluline.

## VEE SISSEVÖTUVOOLIKU PUHASTAMINE

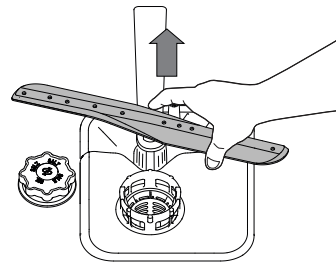
Kui veevoolikud on uued või olnud pikalt kasutamata, laske veel neist läbi voolata, et oleks kindel, et need on takistustest vabad ja puhtad; seejärel kontrollige üle ühenduskohad. Kui seda ettevaatusabinõu ei järgita, võib voolik ummistuda ja pesumasinat kahjustada.

## PIHUSTIHOODE PUHASTAMINE

Vahel võivad toiduosakesed kleepuda pihustihobade külge ja ummistada vee pihustusavad. Seepärast soovitame hooasid aeg-ajalt kontrollida ja väikese mitte-metallist harjaga puhastada.



Ülemise pihustihoova eemaldamiseks keerake plastist lukustrõngast päripäeva. Ülemise pihustihoova tagasipanekul tuleks jälgida, et suurema aukude arvuga pool jääks ülespoole.



Alumise pihustihoova saab eemaldada, tõmmates seda üles.

## VEEPEHMENDUSSÜSTEEM

Veepehmentaja vähendab automaatselt vee karedust, hoides seeläbi ära katlakivi tekke kütteelemendile ja tõhustades pesu.

**See süsteem taastab ennast soola abil, seega tuleb soolanõu tühjenemise korral uuesti soolaga täita.**

Taastesagedus oleneb vee karedusastmes seadest: regeneratsioon leiab aset üks kord 6 ökotsükli kohta, kui vee karedusastmeks on määratud 3. Taastusprotsess algab viimase loputuse ajal ja lõpeb kuivatuse ajal enne tsükli lõppu.

- Üks taastamine: ~ kulutab 3,5 l vett;
- lisab tsükli kestusele 5 minutit;
- kulutab vähem kui 0,005 kWh energiat.

# VEAOTSING

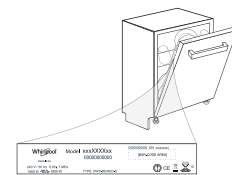
Kui nõudepesumasin ei tööta korralikult, kontrollige, kas probleemi on võimalik lahendada allpool oleva loendi abil. Kui esineb muid vigu või probleeme, pöörduge volitatud müüjijärgsesse teenindusse, mille kontaktandmed leiате garantiibrošüürist. Varuosad on saadaval vastavalt kehtivatele erinõuetele kuni 7 või kuni 10 aastat.

PROBLEEMID	VÕIMALIKUD PÕHJUSED	LAHENDUSED
 Soolanäidik põleb	Soolanõu on tühi. (Pärast täitmist võib soolanäidik mõneks tsükliks põlema jääda).	Täitke anum soolaga (lisateave – vt lk 2). Kohandage vee karedust – vt tabelit lk 2.
 Loputusvahendi näidik põleb	Loputusvahendi sahtel on tühi. (Pärast täitmist võib loputusvahendi näidik mõneks tsükliks põlema jääda).	Täitke dosaator loputusvahendiga (lisateave – vt lk 2).
Nõudepesumasin ei käivitu või ei reageeri käskudele.	Masin ei ole korralikult vooluvõrguga ühendatud.	Ühendage pistik seinakontakti.
	Voolukatkestus.	Ohutuse tagamiseks ei käivitata nõudepesumasinat elektri taastumise järel automaatselt. Avage nõudepesumasina uks, vajutage nuppu STARDI/Pausi ja sulgege uks 4 sekundi jooksul.
	Nõudepesumasina uks ei ole suletud. NaturalDry -tihvt ei ole sisse tõmmatud.	Lükake ust tugevalt, kuni kuulete klõpsu.
	Tsüklil katkeb kui uks avatakse pikemaks ajaks kui 4 sekundit.	Vajutage nuppu STARDI/Pausi ja sulgege uks 4 sekundi jooksul.
Vesi ei voola nõudepesumasinat välja. Ekraanil kuvatakse: <b>3</b> ja Sisse/Välja-LED vilgub kiiresti	Pesutsüklil ei ole veel lõppenud.	Oodake pesutsükli lõppemiseni.
	Tühjendusvoolik on kokku murtud.	Kontrollige, kas tühjendusvoolik pole kokku murtud (vt jaotist PAIGALDUSJUHISED).
Nõudepesumasin teeb liiga tugevat müra.	Vee äravool on umbes.	Puhastage vee äravoolutoru.
	Filter on toidujääkidega ummistunud.	Puhastage filter (vt jaotist FILTRIKOOSTU PUHASTAMINE).
Nõud ei ole puhtad.	Nõud kolisevad üksteise vastu.	Asetage nõud õigesti (vt jaotist RESTIDE TÄITMINE).
	Tekib liiga palju vahtu.	Pesuvahendit on valesti doseeritud või ei sobi see nõudepesumasinas kasutamiseks (vt jaotist PESUVAHENDI DOSAATORI TÄITMINE). Taaskäivitage praegune tsüklil, lülitades nõudepesumasina VÄLJA, seejärel lülitage see uuesti sisse, valige uus programm, vajutage STARDI/Pausi ja sulgege uks 4 sekundi jooksul. Ärge lisage pesuvahendit.
Nõudepesumasinasse ei tule vett. Ekraanil kuvatakse: <b>H, 6</b> ja Sisse/Välja-LED vilgub kiiresti	Nõud ei ole korralikult paigutatud.	Asetage nõud õigesti (vt jaotist RESTIDE TÄITMINE).
	Pihustihoovald ei saa vabalt liikuda, sest nõud takistavad neid.	Asetage nõud õigesti (vt jaotist RESTIDE TÄITMINE).
	Pesutsüklil oli liiga õrn.	Valige sobiv pesutsüklil (vt PROGRAMMIDE TABELIT).
	Tekib liiga palju vahtu.	Pesuvahendit on valesti doseeritud või ei sobi see nõudepesumasinas kasutamiseks (vt jaotist PESUVAHENDI DOSAATORI TÄITMINE).
	Loputusvahendi dosaatori kaas ei ole korralikult kinni.	Veenduge, et loputusvahendi dosaatori kaas on suletud.
	Filter on määrdunud või ummistunud.	Puhastage filtrikoost (vt jaotist HOOLDUS).
Nõudepesumasin lõpetab tsükli enne aegselt. Ekraanil kuvatakse: <b>15</b> ja Sisse/Välja-LED vilgub kiiresti	Masinas ei ole soola.	Täitke soolaanum (vt jaotist SOOLAANUMA TÄITMINE).
	Torustikus ei ole vett või on kraan kinni.	Veenduge, et torustikust tuleb vett ja kraan on lahti.
Nõudepesumasin lõpetab tsükli enne aegselt. Ekraanil kuvatakse: <b>15</b> ja Sisse/Välja-LED vilgub kiiresti	Sissevõtuvoolik on kokku surutud.	Veenduge, et sissevõtuvoolik poleks kokku surutud (vt PAIGALDUS), programmeerige masin uuesti ja käivitage.
	Vee sissevõtuvooliku sõel on umbes; see vajab puhastamist.	Kui olete sõela kontrollinud ja puhastanud, lülitage nõudepesumasin välja ja uuesti sisse ning käivitage uus programm.
Pesuaine leke.	Äravooluvoolik on liiga madalal või äravooluava juurest vaakumisse tõmmanud.	Veenduge, et äravooluvooliku ots oleks õigel kõrgusel (vt PAIGALDUS). Kontrollige ühendust äravooluavaga ja vajaduse korral paigaldage õhuklapp.
	Õhk veevarustuses.	Kontrollige, kas veevarustuses on lekkeid või muid probleeme.
	Oleneb kasutatavast pesuainavedelikust ja see võib esile tõusta, kui aktiveeritud on viivitusvalik.	Väikesed lekked ei põhjusta masina talitlushäireid ja neid saab vältida, kui vahetada pesuainavedeliku tüüpi või kasutada tablette.

## Poliitika, standardite dokumentatsioon ja toote lisateave on saadaval järgmiselt:

- Kasutage tootel olevat QR-koodi.
- Külastades veebisaiti [docs.whirlpool.eu/docs](https://docs.whirlpool.eu/docs) ja [parts-selfservice.europeanappliances.com](https://parts-selfservice.europeanappliances.com)
- Teise võimalusena **võtke ühendust meie müüjijärgse teeninduskeskusega** (vt telefoninumbrit garantiikirjas). Kui võtate ühendust müüjijärgse teenindusega, siis teatage neile oma toote andmeplaadil olevad koodid.

Modeliteavet on võimalik näha QR-koodi kasutades, mille leiате energiasildilt. Sildil on lisaks mudeli identifikaator, mida saab kasutada registriportaalis aadressil <https://eprel.ec.europa.eu>.



®/TM/© 2024 Whirlpool. Toodetud litsentsi alusel.

# GUIDE D'UTILISATION QUOTIDIENNE

## D'UTILISATION QUOTIDIENNE



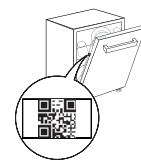
**MERCI D'AVOIR CHOISI UN PRODUIT WHIRLPOOL.**

Afin de recevoir une assistance plus complète, merci d'enregistrer votre appareil sur : [www.whirlpool.eu/register](http://www.whirlpool.eu/register)



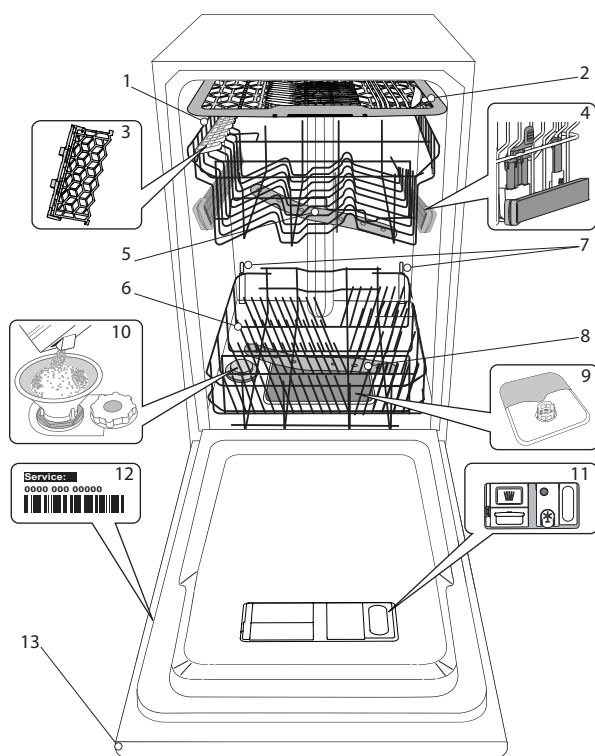
**Avant d'utiliser l'appareil, il convient de lire attentivement les consignes de sécurité et d'installation.**

**MERCI DE SCANNER LE QR CODE SUR VOTRE APPAREIL POUR OBTENIR DES INFORMATIONS PLUS DÉTAILLÉES.**



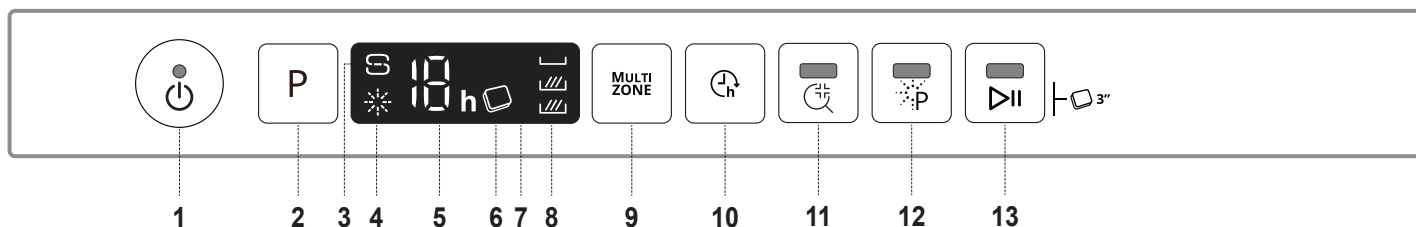
## DESCRIPTION DU PRODUIT

### APPAREIL



1. Panier supérieur
2. Compartiment à couvert
3. Volets pliables
4. Bouton de réglage de la hauteur du panier supérieur
5. Bras d'aspersion supérieur
6. Panier inférieur
7. Supports Power Clean®
8. Bras d'aspersion inférieur
9. Ensemble filtre
10. Réservoir à sel
11. Distributeurs de détergent et liquide de rinçage
12. Plaque signalétique
13. Panneau de commande

### PANNEAU DE COMMANDE



1. Touche Marche-Arrêt/Réinitialisation avec le voyant
2. Sélecteur de programme
3. Voyant de niveau de sel
4. Voyant de niveau de liquide de rinçage
5. Numéro de programme et indicateur de temps de retard
6. Voyant Pastille
7. Affichage
8. Voyant Multizone
9. Touche Multizone
10. Touche Différé
11. Touche Sani Rinse avec le voyant
12. Touche Power Clean® avec le voyant
13. Touche DÉMARRER/Pause avec le voyant / Pastille

# PREMIÈRE UTILISATION

## SEL, LIQUIDE DE RINÇAGE, ET DÉTERGENT


### CONSEILS AU SUJET DE LA PREMIÈRE UTILISATION

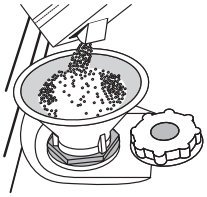
Après l'installation, enlevez les boulons d'arrêt sur les paniers et les éléments élastiques qui retiennent le panier supérieur.

### REEMPLIR LE RÉSERVOIR DE SEL

L'utilisation de sel empêche la formation de CALCAIRE sur la vaisselle et sur les composantes fonctionnelles de l'appareil.

- Le **RÉSERVOIR DE SEL NE DOIT JAMAIS ÊTRE VIDE.**
- Il est important de régler la dureté de l'eau.

Le réservoir de sel est situé dans la partie inférieure du lave-vaisselle (voir *DESCRIPTION DU PRODUIT*) et il doit être rempli quand le voyant **NIVEAU DE SEL**  est allumé sur le panneau de commande.



1. Enlevez le panier inférieur et dévissez le bouchon du réservoir (sens antihoraire).
2. La première fois uniquement, vous devez effectuer l'opération suivante : Remplissez d'eau le réservoir à sel.
3. Placez l'entonnoir (voir figure) et remplissez le réservoir de sel jusqu'au bord (environ 1 kg); il est normal qu'un peu d'eau déborde.
4. Enlevez l'entonnoir et essuyez les résidus de sel autour de l'ouverture.

Assurez-vous que le bouchon est bien serré pour éviter que du détergent pénètre dans le réservoir durant le cycle de lavage (le réservoir pourrait s'endommager au point de ne plus être réparable).

Après chaque ajout de sel dans le réservoir, il est obligatoire de lancer immédiatement un cycle de lavage afin d'éviter toute corrosion de la cuve.

### RÉGLER LA DURETÉ DE L'EAU

Pour que l'adoucisseur d'eau fonctionne à la perfection, il est important de régler la dureté de l'eau aux conditions existantes dans votre résidence. Cette information peut être obtenue de votre fournisseur d'eau local.

L'usine règle la valeur par défaut de la dureté de l'eau.

- Allumer l'appareil en appuyant sur la touche **MARCHE/ARRÊT.**
- Éteindre l'appareil en appuyant sur la touche **MARCHE/ARRÊT.**
- Appuyer sur la touche **P** pendant 5 secondes; un bip se fait entendre.
- Allumer l'appareil en appuyant sur la touche **MARCHE/ARRÊT.**
- Le numéro de la sélection actuelle et le voyant de niveau de sel clignotent.
- Appuyer sur la touche **P** pour sélectionner le niveau de dureté désiré (voir *TABLEAU DE DURETÉ DE L'EAU*).

Tableau de dureté de l'eau			
Level	°dH Degrés allemand	°fH Degrés français	°Clark Degrés anglais
1	Très douce	0 - 6	0 - 7
2	Moyenne	7 - 11	8 - 14
3	Douce	12 - 16	15 - 20
4	Dure	17 - 34	21 - 42
5	Très dure	35 - 50	43 - 62

- Éteindre l'appareil en appuyant sur la touche **MARCHE/ARRÊT.**

Le réglage est terminé ! Une fois cette opération complétée, lancez un programme sans charger le lave-vaisselle.

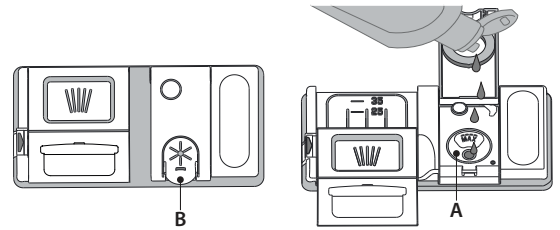
Utilisez seulement le sel spécialement conçu pour les lave-vaisselles. Lorsque le sel est versé dans l'appareil, le voyant AJOUTER DU SEL s'éteint.

Si le contenant de sel n'est pas rempli, l'adoucisseur et l'élément chauffant peuvent être endommagés à cause de l'accumulation de calcaire.

L'utilisation de sel est recommandée avec n'importe quel type de lessive pour lave-vaisselle.

### REEMPLIR LE DISTRIBUTEUR DE LIQUIDE DE RINÇAGE

Le liquide de rinçage permet à la vaisselle de SÉCHER plus facilement. Le distributeur de liquide de rinçage **A** devrait être rempli lorsque le voyant de **NIVEAU DE LIQUIDE DE RINÇAGE**  est allumé à l'écran.



1. Ouvrez le distributeur **B** en appuyant et en tirant sur l'onglet sur le couvercle.
2. Versez doucement du liquide de rinçage jusqu'à la marque de référence (110 ml) du réservoir de remplissage - évitez les débordements. Si cela se produit, nettoyez les dégâts immédiatement avec un linge sec.
3. Appuyez sur le bouchon pour le fermer; un clic se fait entendre.

Ne **JAMAIS** verser le liquide de rinçage directement dans la cuve.

### AJUSTER LE DOSAGE DU LIQUIDE DE RINÇAGE

Si vous n'êtes pas complètement satisfait avec le séchage, vous pouvez ajuster la quantité de liquide de rinçage utilisée.

- Allumez le lave-vaisselle en utilisant la touche **MARCHE/ARRÊT.**
- Éteignez-le en utilisant la touche **MARCHE/ARRÊT.**
- Appuyez sur la touche **P** à trois reprises - vous entendrez un bip.
- Allumez-le en utilisant la touche **MARCHE/ARRÊT.**
- Le numéro du niveau de sélection actuelle et le voyant du niveau de liquide de rinçage clignotent.
- Appuyez sur la touche **P** pour sélectionner la quantité de liquide de rinçage qui doit être utilisée.
- Éteignez-le en utilisant la touche **MARCHE/ARRÊT**

Le réglage est terminé !

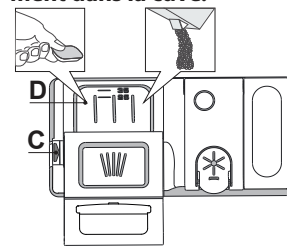
Si le niveau de liquide de rinçage est à ZÉRO (ÉCO), il n'y aura pas de liquide de rinçage distribué. Le voyant LIQUIDE DE RINÇAGE BAS ne s'allumera pas s'il ne reste plus de liquide de rinçage.

Un maximum de 5 niveaux peuvent être réglés selon le modèle du lave-vaisselle. Les réglages d'usine sont spécifiques au modèle, merci de suivre les instructions ci-dessus pour vérifier ceux qui s'appliquent à votre machine.

- Si vous observez des traces bleuâtres sur la vaisselle, placez sur un niveau plus bas (1-2).
- Si vous observez des gouttelettes d'eau ou des traces de calcaire sur la vaisselle, placez sur un niveau plus haut (3-4).

### REEMPLIR LE DISTRIBUTEUR DE DÉTERGENT

Pour ouvrir le distributeur de détergent, utilisez le dispositif d'ouverture **C**. Insérez le détergent dans le distributeur sec **D** seulement. Placez la quantité de détergent pour le pré-lavage directement dans la cuve.



1. Lorsque vous mesurez la lessive, consultez les informations mentionnées précédemment pour ajouter la quantité correcte. À l'intérieur du distributeur **D** se trouvent des indications pour aider au dosage de la lessive.
2. Enlevez les résidus de détergent sur le bord des récipients avant de fermer le couvercle; un clic se fait entendre.
3. Fermez le couvercle du distributeur de détergent en le tirant vers le haut jusqu'à ce que le dispositif soit fermement en place.

Le distributeur de détergent s'ouvre automatiquement, au moment déterminé par le programme. Si vous utilisez un détergent « tout-en-un », nous vous conseillons d'utiliser la touche **PASTILLE**, elle ajuste le programme de façon à toujours obtenir les meilleurs résultats de lavage et séchage.

L'utilisation d'un détergent non-conçu pour les lave-vaisselles peut provoquer un dysfonctionnement ou des dommages à l'appareil.

# TABLEAU DES PROGRAMMES

Programme	Séchage	NaturalDry	Options disponibles *)	Durée du programme de lavage (h:min)**)	Consommation d'eau (l/cycle)	Consommation d'énergie (kWh/cycle)
1. Éco Eco 50°	✓	✓	MULTI ZONE	3:40	9,0	0,67
2. 6 <sup>th</sup> Sense® 6 <sup>th</sup> sense 50-60°	✓	✓	MULTI ZONE	1:20 - 3:00	7,0 - 14,0	0,70 - 1,10
3. Intensif 65°	✓	✓	MULTI ZONE	2:45	17,5	1,60
4. Lavage et séchage rapide 50°	✓	✓	MULTI ZONE	1:25	11,5	1,10
5. Verre 45°	✓	✓	MULTI ZONE	1:40	12,0	1,20
6. Rapide 30' 50°	-	✓	MULTI ZONE	0:30	9,0	0,50
7. Prélavage -	-	-	MULTI ZONE	0:10	4,5	0,01
8. Autonettoyant 65°	-	-		0:50	8,0	0,85

Les données du programme Éco sont mesurées sous des conditions en laboratoire conformément à la norme européenne EN 60436:2020.

Note pour les laboratoires d'essai : pour toutes informations sur les conditions d'essai comparatif EN, s'adresser à : [dw\\_test\\_support@europeanappliances.com](mailto:dw_test_support@europeanappliances.com).  
Aucun prétraitement de la vaisselle n'est nécessaire avant l'un quelconque des programmes.

\*) Les options ne peuvent pas toutes être utilisées en même temps.

\*\*\*) Les valeurs indiquées pour des programmes différents du programme Éco sont fournis à titre indicatif uniquement. Le temps réel peut varier selon des facteurs comme la température et la pression de l'eau, la température de la pièce, la quantité de détergent, la quantité et le type de vaisselle, l'équilibre de la charge, les options supplémentaires sélectionnées, et la calibration du capteur. La calibration du capteur peut augmenter la durée du programme jusqu'à 20 minutes.

## DESCRIPTION DES PROGRAMMES

### Consignes pour la sélection du cycle de lavage.

#### 1 ÉCO

Le programme Éco est adapté pour nettoyer la vaisselle normalement sale, et pour cette utilisation, c'est le programme le plus efficace en termes d'énergie combinée et de consommation d'eau, et il est utilisé pour évaluer la conformité à la législation européenne en matière d'éco-conception.

#### 2 6<sup>th</sup> SENSE®

Pour la vaisselle normalement sale avec des résidus de nourriture secs. Détermine le degré de saleté de la vaisselle et règle le programme en fonction de celui-ci. Lorsque le capteur détecte le degré de saleté, une animation apparaît sur l'afficheur et la durée du cycle est mise à jour.

#### 3 INTENSIF

Programme conseillé pour une vaisselle très sale, particulièrement adapté pour les poêles et les casseroles (ne pas utiliser avec la vaisselle délicate).

#### 4 LAVAGE ET SÉCHAGE RAPIDE

Vaisselle sale. Cycle quotidien, assure un rendement de nettoyage optimal et des performances de séchage en moins de temps.

#### 5 VERRE

Programme pour la vaisselle délicate, plus sensible aux températures élevées, comme les verres et les tasses.

#### 6 RAPIDE 30'

Programme à utiliser pour la demi-charge de vaisselle légèrement sale sans résidus alimentaires séchés. N'a pas de phase de séchage

#### 7 PRÉLAVAGE

Utilisez ce programme pour rafraîchir la vaisselle qui sera lavée plus tard. N'utilisez pas de détergent avec ce programme.

#### 8 AUTONETTOYANT

Programme à utiliser pour effectuer l'entretien du lave-vaisselle, à réaliser uniquement lorsque le lave-vaisselle est VIDE en utilisant des détergents spécifiques conçus pour l'entretien du lave-vaisselle.

#### Remarques :

Il convient de noter que le cycle *Rapide 30'* est destiné uniquement à la vaisselle légèrement sale.

# OPTIONS ET FONCTIONS

Les OPTIONS peuvent être sélectionnées directement en appuyant sur la touche correspondante (voir PANNEAU DE COMMANDE).

**Si une option n'est pas compatible avec le programme sélectionné voir TABLEAU DES PROGRAMMES, le voyant correspondant clignote 3 fois et un bip se fait entendre. La fonction n'est pas activée.**

## MULTI ZONE MULTIZONE

S'il n'y a pas beaucoup de vaisselle à laver, la demi-charge peut être utilisée pour économiser de l'eau, de l'électricité, et du détergent.

Sélectionnez un programme et appuyez ensuite sur la touche MULTIZONE : le symbole du panier sélectionné s'affiche à l'écran. Par défaut, l'appareil lave la vaisselle sur tous les paniers. Pour seulement laver la vaisselle sur un panier particulier, appuyez plusieurs fois sur cette touche:



s'affiche à l'écran (panier inférieur seulement)



s'affiche à l'écran (panier supérieur seulement)



s'affiche à l'écran (compartiment à couvert seulement)



s'affiche à l'écran (l'option est ÉTEINTE et l'appareil lave la vaisselle sur tous les paniers).

**Chargez seulement le panier supérieur ou inférieur, et réduisez la quantité de détergent en conséquence. Si le panier supérieur est enlevé, appliquez le détergent directement dans la cuve au lieu du distributeur de détergent.**



## DIFFÉRÉ

L'heure de départ du programme peut être différée pendant un laps de temps compris entre **1** et **12** heures.

1. Appuyez sur la touche DIFFÉRÉ : le symbole «**h**» correspondant apparaît sur l'écran ; chaque fois que vous appuyez sur la touche, le temps (1 heure, 2 heures, etc. jusqu'à un max de 12 heures) avant le début du cycle de lavage augmente.
2. Sélectionnez le programme de lavage, appuyez sur le bouton DÉMARRER/PAUSE et dans les 4 secondes, fermez la porte: la minuterie commencera le compte à rebours.
3. Une fois le temps écoulé, le voyant «**h**» s'éteint et le cycle de lavage démarre.

Pour ajuster le délai et sélectionner une période de temps plus courte, appuyez sur la touche DIFFÉRÉ. Pour l'annuler, appuyez sur la touche à plusieurs reprises pour éteindre le voyant «**h**» de départ différé sélectionné.

**La fonction Différé ne peut pas être réglée une fois que le cycle de lavage a commencé.**



## PASTILLE

Ce réglage vous permet d'optimiser le rendement du programme selon le type de détergent utilisé. Appuyez sur la touche DÉMARRER/PAUSE pendant 3 secondes (le symbole correspondant s'allume) si vous utilisez un détergent sous la forme d'une pastille (liquide de rinçage, sel, et détergent en une seule dose).

**Si vous utilisez un détergent en poudre ou liquide, cette option devrait être éteinte.**



## POWER CLEAN®

Grâce aux jets haute pression supplémentaires, cette option fournit un lavage plus intensif et puissant dans le panier inférieur, dans la zone spécifique. Elle est recommandée pour le lavage des poêles et des casseroles. Appuyez sur cette touche pour activer Power Clean (le voyant s'allume).

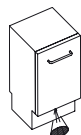


## SANI RINCE

Cette option peut être utilisée pour assainir la vaisselle lavée. Cela augmentera la température de rinçage finale et ajoutera un lavage anti-bactérien au programme sélectionné.

Sélectionnez le cycle de lavage et appuyez sur la touche SANI RINCE; le voyant s'allume. Appuyez de nouveau sur la touche pour annuler l'option. Idéal pour laver la vaisselle et les biberons. La porte du lave-vaisselle doit être fermée tout au long du cycle pour garantir que la quantité de germes est bien diminuée. Si vous ouvrez la porte, le voyant se met à clignoter.

**AVERTISSEMENT : la vaisselle et les plats peuvent être très chaud à la fin du cycle.**



## INDICATEUR DE FONCTIONNEMENT

Un voyant LED projeté sur le sol indique que le lave-vaisselle fonctionne. Un des modes de fonctionnement suivant peut être sélectionné :

- a) Fonction désactivée.
- b) Lorsque que le cycle est lancé, le voyant s'allume quelques secondes; il reste éteint durant le cycle, et clignote à la fin du cycle.
- c) Le voyant reste allumé durant le cycle et clignote à la fin du cycle (mode par défaut).

Si le Départ différé est sélectionné, le voyant s'allume durant les premières secondes, ou pour la durée du compte à rebours, selon que le mode b) ou c) ait été réglé.

Le voyant s'éteint chaque fois que la porte est ouverte. Pour sélectionner votre mode préféré, allumez l'appareil, appuyez sur la touche **P** jusqu'à ce qu'une des trois lettres apparaisse à l'écran, appuyez sur la touche **P** pour afficher la lettre (mode) désirée, et appuyez de nouveau sur la touche **P** pour confirmer votre sélection.

**Remarque : si NaturalDry est activé et ouvre la porte, l'indicateur de fonctionnement ne clignotera pas à la fin du cycle.**

## NaturalDry

NaturalDry est un système de séchage à convection qui ouvre automatiquement la porte pendant/après la phase de séchage pour assurer une performance de séchage exceptionnelle chaque jour.

La porte s'ouvre à la température qui est sûre pour les meubles de votre cuisine, donc la porte ne sera pas ouverte quand l'option SANI RINCE sera activée.

À titre de protection supplémentaire contre la vapeur, une feuille de protection spécifiquement conçue est ajoutée avec le lave-vaisselle. Pour voir comment monter la feuille de protection, consulter le *GUIDE D'INSTALLATION*.

La fonctionnalité NaturalDry pourrait être désactivée par l'utilisateur comme suit:

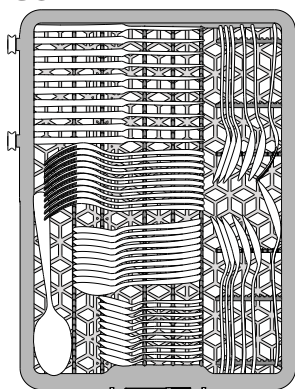
1. Allez au menu de logiciel du lave-vaisselle en appuyant et en maintenant le bouton **P** (6 sec).
2. Vous êtes actuellement dans le Menu Contrôle lumineux (consultez la description INDICATEUR DE FONCTIONNEMENT) si vous ne voulez rien changer, appuyez sur le bouton **P** et maintenez-le enfoncé (jusqu'à ce que l'une des deux lettres apparaisse sur l'écran).
3. Vous passez au Menu de contrôle NaturalDry, vous pouvez changer d'état de la fonctionnalité NaturalDry en appuyant sur le bouton **P**:

**E** – activé **d** – désactivé

Pour confirmer le changement et sortir du Menu de Contrôle, appuyer sur le bouton **P** et le maintenir enfoncé (3 sec).

# CHARGEMENT DES PANIERS

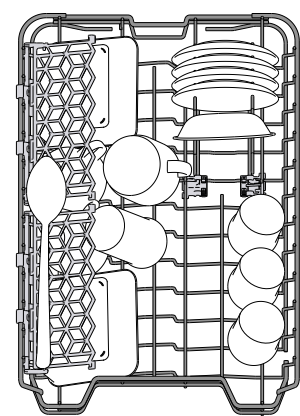
## COMPARTIMENT À COUVERT



Le troisième panier a été conçu pour contenir les couverts. Placez les couverts comme illustré sur la figure. Séparer les couverts facilite le rangement après le cycle de lavage et améliore les programmes de lavage et de séchage.

**Les couteaux et autres ustensiles avec des bords tranchants doivent être placés dans le panier à couvert avec la pointe vers le bas.**

## PANIER SUPÉRIEUR



Chargez la vaisselle délicate et légère: verres, tasses, soucoupes, saladiers bas. Le panier supérieur comprend des supports rabattables qui peuvent être utilisés dans une position verticale lorsque vous placez les soucoupes à thé et à dessert, ou abaissé pour charger les bols et les récipients de nourriture.

(exemple de chargement du panier supérieur)

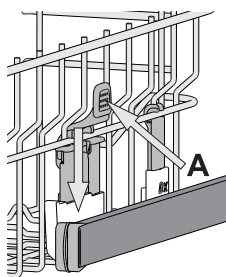
## AJUSTER LA HAUTEUR DU PANIER SUPÉRIEUR

Vous pouvez ajuster la hauteur du panier supérieur : position élevée pour placer la vaisselle encombrante sur le panier inférieur, et la position basse pour profiter au maximum des supports rabattables et créant plus d'espace vers le haut et éviter les chocs avec les articles sur le panier inférieur.

Le panier supérieur comprend un **dispositif de réglage de la hauteur du panier supérieur** (voir figure), sans appuyer sur les leviers, simplement soulever en tenant le panier sur les côtés jusqu'à ce qu'il soit stable en position élevée. Pour abaisser le panier, appuyez sur les leviers **A** sur les côtés du panier et déplacez-le vers le bas.

**Nous vous conseillons fortement de ne pas ajuster la hauteur du panier lorsqu'il est chargé.**

**Ne JAMAIS soulever ou abaisser un seul côté du panier.**



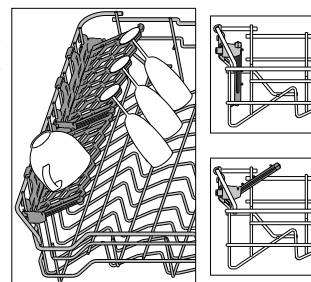
## VOLETS PLIABLES À POSITION RÉGLABLE

Les volets pliables latéraux peuvent être pliés ou dépliés afin d'optimiser la disposition de la vaisselle à l'intérieur du rack.

Les verres de vin peuvent être placés de façon sécuritaire dans les volets pliables en insérant le pied de chaque verre dans la fente correspondante.

Selon le modèle :

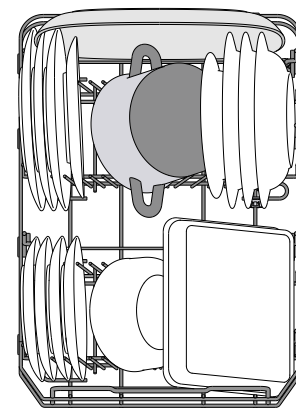
- pour déplier les volets, il est nécessaire de les coulisser vers le haut et de les tourner ou de les libérer des griffes et de les tirer vers le bas.
- pour replier les volets, il est nécessaire de les tourner et de les faire coulisser vers le bas ou de les tirer vers le haut et de fixer les pattes aux griffes



## PANIER INFÉRIEUR

Pour les poêles, les couvercles, les plats, les saladiers, les couverts, etc. Les grands plats et les grands couvercles devraient être placés sur le côté pour éviter qu'ils n'entravent le fonctionnement des bras d'aspersion.

Le panier inférieur comprend des supports rabattables qui peuvent être placés en position verticale pour charger des plaques, ou en position horizontale (bas) pour faciliter le chargement des casseroles et des bols de salade.



(exemple de chargement du panier inférieur)

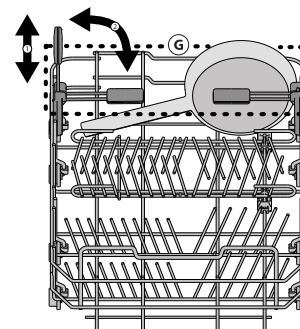
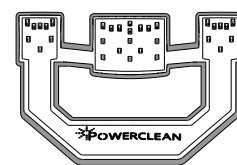
## POWER CLEAN SUR LE PANIER INFÉRIEUR

Power Clean® utilise des jets d'eau spéciaux, situés à l'arrière de la cavité, pour laver les articles très sales avec une intensité plus élevée. Le panier inférieur comprend une zone d'espace, un support spécial qui se trouve à l'arrière du panier, qui peut être utilisé pour supporter les poêles à frire et les moules dans une position verticale, prenant ainsi moins de place.

Placez les poêles et les casseroles face à la composante Power Clean® et activez **POWER CLEAN** sur le panneau.

Comment utiliser Power Clean®.

1. Réglez la zone Power Clean® (G) en rabattant les supports pour assiettes arrières pour charger des casseroles.
2. Chargez les grands plats et les casseroles en les inclinant à la verticale dans la zone Power Clean®. Les casseroles doivent être inclinées dans la direction des jets d'eau haute pression.



# UTILISATION QUOTIDIENNE

## 1. VÉRIFIER LE BRANCHEMENT DE L'EAU

Assurez-vous que l'appareil est raccordé à un réseau d'alimentation et que le robinet de l'eau est ouvert.

## 2. ALLUMER LE LAVE-VAISSELLE

Ouvrez la porte et appuyez sur la touche **MARCHE/ARRÊT**.

## 3. CHARGER LES PANIERS (voir CHARGEMENT DES PANIERS).

## 4. REMPLIR DE DISTRIBUTEUR DE DÉTERGENT

## 5. CHOISIR LE PROGRAMME ET PERSONNALISER LE CYCLE

Sélectionnez le meilleur programme selon le type de vaisselle et le niveau de saleté (voir DESCRIPTION DES PROGRAMMES) en appuyant sur la touche **P**.

Sélectionnez les options désirées (voir OPTIONS ET FONCTIONS).

## 6. DÉMARRER

Démarrez le cycle de lavage en appuyant sur le bouton **DÉPART/ Pause** (le témoin est allumé) et en fermant la porte dans les 4 secondes. Quand le programme démarre, vous entendez un bip simple.

Si la porte n'a pas été fermée dans les 4 secondes, le signal d'alarme est activé. Dans ce cas, ouvrez la porte, appuyez sur le bouton **DÉPART/ Pause** et fermez de nouveau la porte dans les 4 sec.

## 7. FIN DU CYCLE DE LAVAGE

La fin du cycle de lavage est indiquée par des bips et par le clignotement du nombre de cycles de lavage sur l'écran.

Ouvrez la porte et éteignez l'appareil en appuyant sur la touche **MARCHE/ARRÊT**.

Pour éviter de vous brûler, attendez quelques minutes avant de retirer la vaisselle. Déchargez les paniers en commençant par le panier inférieur.

L'appareil s'éteint automatiquement durant des périodes d'inactivité prolongées pour réduire la consommation d'énergie. Si la vaisselle est légèrement sale ou si elle a été rincée avec à l'eau avant d'être placée dans le lave-vaisselle, réduisez la quantité de détergent utilisée en conséquence.

## MODIFIER UN PROGRAMME EN COURS

Si vous avez sélectionné le mauvais programme, vous pouvez le changer, à condition que ce soit fait au tout début du cycle: ouvrir la porte, appuyer sur le bouton **MARCHE/ARRÊT** et le maintenir enfoncé, la machine s'éteindra.

Rallumez l'appareil en appuyant sur la touche **MARCHE/ARRÊT** et sélectionnez le nouveau cycle de lavage et les options désirées ; lancer le cycle en appuyant sur le bouton **DÉPART/ Pause** et en fermant la porte dans les 4 sec.

## AJOUTER DE LA VAISSELLE

Sans éteindre la machine, ouvrir la porte (Le voyant **DÉPART/ Pause** commencera à clignoter) (**attention à la vapeur CHAUDE !**) et placer la vaisselle à l'intérieur du lave-vaisselle. Appuyer sur le bouton **DÉPART/ Pause** et fermer la porte dans les 4 sec, le cycle reprendra à l'endroit où il a été interrompu.

## INTERRUPTIONS IMPRÉVUES

Si la porte est ouverte pendant le cycle de lavage, ou s'il y a une coupure de courant, le cycle s'arrête. Pour reprendre le cycle à l'endroit où il a été interrompu, appuyer sur le bouton **DÉPART/ Pause** et fermer la porte dans les 4 sec.

# AVIS ET CONSEILS

## CONSEILS

Avant de charger les paniers, enlevez tous les résidus de nourriture sur la vaisselle et videz les verres. **Vous n'avez pas besoin de rincer la vaisselle avant de la placer dans le lave-vaisselle.**

Placez la vaisselle pour qu'elle tienne bien en place et ne risque pas de tomber; et placez les récipients avec les ouvertures vers le bas et les parties concaves/convexes de côté pour permettre à l'eau d'atteindre toutes les surfaces et couler librement.

**Avertissement :** les couvercles, poignées, plaques et poêles à frire n'empêchent pas les bras d'aspersion de tourner. Placez les petits articles dans le panier à couvert. La vaisselle et les casseroles très sales devraient être placées sur le panier inférieur car les jets d'eau sont plus forts dans cette section et permet un meilleur rendement lors du lavage. Après avoir chargé l'appareil, assurez-vous que les bras d'aspersion peuvent bouger librement.

## VAISSELLE QUI NE CONVIENT PAS

- Vaisselle et couverts en bois.
- Verres décoratifs délicats, produits artisanaux, et vaisselle antique. Les garnitures ne sont pas résistantes.
- Les pièces en matériel synthétique qui ne supportent pas les hautes températures.
- La vaisselle en cuivre ou en étain.
- La vaisselle tachée de cendre, de cire, de graisse lubrifiante, ou d'encre.

Les couleurs des garnitures de verre et des pièces d'aluminium/argent peuvent changer et ternir durant le cycle de lavage. Certains types de verre (p. ex. les objets en cristal) peuvent aussi devenir opaque après plusieurs cycles de lavage.

## VERRES ET VAISSELLE ENDOMMAGÉS

- Seulement utiliser des verres ou de la porcelaine qui sont lavables au lave-vaisselle conformément aux recommandations du fabricant.
- Utilisez un détergent doux, adéquat pour la vaisselle.
- Retirez les verres et les couverts du lave-vaisselle aussitôt que le cycle de lavage est terminé

## ASTUCES SUR L'ÉCONOMIE D'ÉNERGIE

- Lorsque le lave-vaisselle domestique est utilisé conformément aux instructions du fabricant, **le lavage de la vaisselle dans un lave-vaisselle consomme habituellement MOINS D'ÉNERGIE et d'eau que le lavage à la main.**
- Afin d'optimiser l'efficacité du lave-vaisselle, il est recommandé de **débuter le cycle de lavage une fois que le lave-vaisselle est totalement chargé.** Le chargement du lave-vaisselle domestique jusqu'à la capacité indiquée par le fabricant contribuera à économiser de l'énergie et de l'eau. Vous trouverez des informations sur le chargement correct de la vaisselle dans le chapitre CHARGEMENT DES PANIERS.
- En cas de chargement partiel, il est recommandé d'utiliser des options de lavage spécifiques si elles sont disponibles (Demi-charge / Zone Wash/ Multi Zone), en remplissant uniquement les paniers sélectionnés. Un chargement incorrect ou une surcharge du lave-vaisselle peut augmenter l'utilisation des ressources (telles que l'eau, l'énergie et le temps, et augmenter le niveau de bruit), en réduisant les performances de nettoyage et de séchage.
- Un pré-rinçage manuel des éléments de vaisselle provoque une augmentation de la consommation d'eau et d'énergie et n'est pas recommandé.

## HYGIÈNE

Pour éviter les odeurs et les dépôts qui pourraient s'accumuler dans le lave-vaisselle, lancer un programme à haute température au moins une fois par mois. Utilisez une cuillère à café de détergent et lancer le programme sans vaisselle pour nettoyer l'appareil.

# NETTOYAGE ET ENTRETIEN

## NETTOYER L'ENSEMBLE FILTRE

Nettoyez régulièrement l'ensemble filtre pour éviter qu'il ne se bouche et pour permettre aux eaux usées de bien s'éliminer.

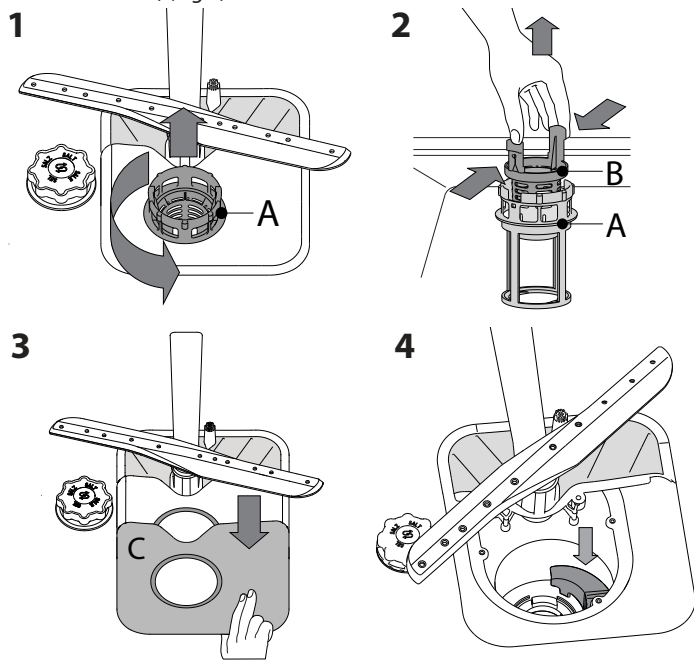
L'utilisation du lave-vaisselle avec des filtres obstrués ou des objets étrangers à l'intérieur du système de filtration ou des bras de pulvérisation peut provoquer un dysfonctionnement de l'unité provoquant une perte de performances, un fonctionnement bruyant ou une utilisation supérieure des ressources.

L'ensemble filtre comprend trois filtres qui séparent les résidus de nourriture de l'eau de lavage pour ensuite faire circuler l'eau.

**N'utilisez pas le lave-vaisselle sans les filtres ou si un filtre est mal ajusté.**

Au moins une fois par mois ou tous les 30 cycles, vérifiez l'assemblage du filtre et si nécessaire, nettoyez-le minutieusement sous l'eau courante, en utilisant une brosse non-métallique et en suivant les instructions ci-dessous :

1. Tournez le filtre cylindrique **A** dans le sens antihoraire et retirez-le (Fig. 1).
2. Enlevez le panier du filtre **B** en appliquant une légère pression sur les volets latéraux (Fig. 2).
3. Retirez la plaque du filtre en acier inoxydable **C** (Fig. 3).
4. Si vous trouvez des objets étrangers (comme du verre brisé, de la porcelaine, des os, des pépins de fruits, etc), enlevez-les minutieusement.
5. Inspecter la cavité et enlever les résidus de nourriture. **NE JAMAIS ENLEVER** la protection de la pompe du cycle de lavage (détails en couleur noir) (Fig 4).



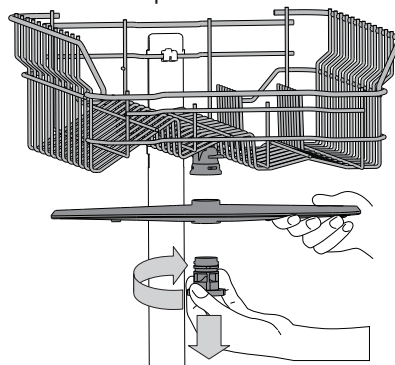
Après avoir nettoyé les filtres, assemblez de nouveau l'ensemble filtre et remettez-le en place correctement; c'est très important pour que le lave-vaisselle garde son efficacité.

## NETTOYER LE TUYAU D'ARRIVÉE D'EAU

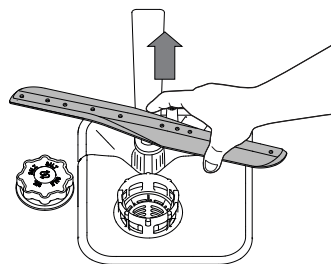
Si les tuyaux d'eau sont neufs ou s'ils n'ont pas été utilisés depuis longtemps, laissez l'eau couler pour vous assurer qu'il n'y a pas d'impureté ou de saleté avant de les brancher. Si vous n'effectuez pas cette opération, l'arrivée d'eau pourrait se boucher et endommager le lave-vaisselle.

## NETTOYER LES BRAS D'ASPERSION

À l'occasion, des résidus de nourriture s'incrument dans les bras d'aspersion et bloquent les trous utilisés pour asperger de l'eau. Il est donc conseillé de vérifier les bras de temps en temps et de les nettoyer avec une petite brosse non métallique.



Pour enlever le bras d'aspersion supérieur, tournez l'anneau de verrouillage en plastique dans le sens horaire. Le bras d'aspersion supérieur doit être replacé de façon que le côté avec le plus grand nombre de trous est placé vers le haut.



Le bras d'aspersion inférieur peut être enlevé en le tirant vers le haut.

## SYSTÈME ADOUCISSEUR D'EAU

L'adoucisseur d'eau réduit automatiquement la dureté de l'eau, en empêchant ainsi la formation de calcaire sur la résistance, et en contribuant également à une meilleure performance de nettoyage.



**Ce système se régénère avec du sel, il est donc nécessaire de remplir le bac de sel lorsqu'il est vide.**

La fréquence de régénération dépend du réglage du niveau de dureté de l'eau - la régénération a lieu une fois tous les 6 cycles Eco avec un niveau de dureté de l'eau réglé à 3. Le processus de régénération débute lors du rinçage final et se termine en phase de séchage avant la fin du cycle.

- Une régénération simple consomme : ~3,5 L d'eau ;
- Prend jusqu'à 5 minutes supplémentaires pour le cycle ;
- Consomme moins de 0,005 kWh d'énergie.

# DÉPANNAGE

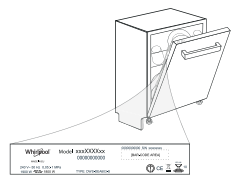
Si votre lave-vaisselle ne fonctionne pas correctement, vérifiez si le problème peut être résolu en suivant la liste ci-après. Pour d'autres erreurs ou problèmes, contactez le Service après-vente agréé dont les coordonnées peuvent être trouvées dans le livret de garantie. Les pièces de rechange seront disponibles pour une période allant jusqu'à 7 ou jusqu'à 10 ans, selon les exigences spécifiques du règlement.

PROBLÈMES	CAUSES POSSIBLES	SOLUTIONS
 L'indicateur de sel est allumé	Le réservoir de sel est vide. (Après le remplissage, il est possible que le voyant du niveau de sel régénérant ne s'éteigne qu'au bout de plusieurs cycles de lavage).	Remplissez le réservoir de sel régénérant (pour plus d'informations, reportez-vous à la page 2). Réglez la dureté de l'eau - reportez-vous au tableau de la page 2.
 Le voyant de liquide de rinçage est allumé	Le distributeur de liquide de rinçage est vide. (Après le remplissage, il est possible que le voyant du niveau de liquide de rinçage ne s'éteigne qu'au bout de plusieurs cycles de lavage).	Remplissez le distributeur de liquide de rinçage (pour plus d'informations, reportez-vous à la page 2).
Le lave-vaisselle ou les commandes ne fonctionnent pas.	L'appareil n'est pas bien branché.	Insérez la fiche dans la prise de courant.
	Panne de courant.	Pour des raisons de sécurité, le lave-vaisselle ne redémarrera pas automatiquement lors du retour de l'alimentation électrique. Ouvrez la porte du lave-vaisselle, appuyez sur le bouton DÉPART/Pause, et fermez la porte dans les 4 secondes.
	La porte du lave-vaisselle n'est pas fermée.	Poussez vigoureusement la porte pour entendre le « clic ».
	Le cycle est interrompu par une ouverture de la porte supérieure à 4 secondes.	Appuyer sur DÉPART/Pause et fermer la porte dans les 4 secondes.
Le lave-vaisselle ne se vidange pas. L'afficheur indique : <b>3</b> et le voyant MARCHE/ARRÊT clignote rapidement.	Les commandes ne fonctionnent pas. L'afficheur indique : <b>9</b> ou <b>12</b> et le voyant MARCHE/ARRÊT clignote rapidement.	Éteindre l'appareil en appuyant sur la touche MARCHE/ARRÊT, rallumez-le environ une minute après, et Relancez le programme. Si le problème persiste, débranchez l'appareil pendant 1 minute, puis rebranchez-le.
	Le cycle de lavage n'est pas encore terminé.	Attendre que le cycle se termine.
Le lave-vaisselle ne se vidange pas. L'afficheur indique : <b>3</b> et le voyant MARCHE/ARRÊT clignote rapidement.	Le tuyau de vidange est plié.	Assurez-vous que le tuyau de vidange n'est pas plié (voir <i>CONSIGNES D'INSTALLATION</i> ).
	Le conduit de vidange de l'évier est bouché.	Nettoyez le conduit de vidange de l'évier.
	Le filtre est bouché par des résidus de nourriture.	Nettoyez le filtre (voir <i>NETTOYAGE DE L'ENSEMBLE FILTRE</i> ).
Le lave-vaisselle fait beaucoup de bruit.	La vaisselle s'entrechoque.	Remplacez la vaisselle (voir <i>CHARGEMENT DES PANIERS</i> ).
	Il y a une trop grande quantité de mousse.	Le détergent a été mal mesuré ou il n'est pas adéquat pour les lave-vaisselles (voir <i>REmplir LE DISTRIBUTEUR DE DÉTERGENT</i> ). Relancez le cycle en cours en éteignant le lave-vaisselle, puis en le rallumant, sélectionnez un nouveau programme, appuyez sur Départ/Pause et fermez la porte dans les 4 secondes. Merci de ne pas ajouter de détergent.
La vaisselle n'est pas propre.	La vaisselle n'est pas bien placée.	Remplacez la vaisselle (voir <i>CHARGEMENT DES PANIERS</i> ).
	Les bras d'aspersion ne bougent pas librement, ils sont gênés par la vaisselle.	Remplacez la vaisselle (voir <i>CHARGEMENT DES PANIERS</i> ).
	Le cycle de lavage est trop délicat.	Sélectionnez le cycle de lavage approprié (voir <i>TABLEAU DES PROGRAMMES</i> ).
	Il y a une trop grande quantité de mousse.	Le détergent a été mal mesuré ou il n'est pas adéquat pour les lave-vaisselles (voir <i>REmplir LE DISTRIBUTEUR DE DÉTERGENT</i> ).
	Le bouchon du compartiment de liquide de rinçage n'est pas bien fermé.	Assurez-vous que le bouchon du distributeur de liquide de rinçage est fermé.
	Le filtre est sale ou bouché.	Nettoyez l'ensemble de filtre (voir <i>NETTOYAGE ET ENTRETIEN</i> ).
L'eau n'arrive pas au lave-vaisselle. L'afficheur indique : <b>H, 6</b> et le voyant MARCHE/ARRÊT clignote rapidement.	Il n'y a pas de sel.	Remplir le réservoir de sel (voir <i>REmplir LE RÉSERVOIR DE SEL</i> ).
	L'alimentation d'eau est vide ou le robinet est fermé.	Assurez-vous qu'il y a de l'eau dans le circuit d'alimentation ou que le robinet est ouvert.
	Le tuyau d'arrivée est plié.	Assurez-vous que le tuyau d'entrée n'est pas plié (voir <i>INSTALLATION</i> ) reprogrammez le lave-vaisselle et relancez-le.
Le lave-vaisselle termine le cycle prématurément. L'afficheur indique : <b>15</b> et le voyant MARCHE/ARRÊT clignote rapidement.	Le tamis dans le tuyau d'arrivée d'eau est obstrué ; il est nécessaire de le nettoyer.	Après avoir complété la vérification et le nettoyage, éteignez et rallumez le lave-vaisselle et redémarrez le programme.
	Le tuyau de vidange est positionné trop bas ou se vide dans le système d'évacuation domestique.	Vérifiez si l'extrémité du tuyau de vidange est placée à la hauteur correcte (voir <i>INSTALLATION</i> ). Vérifiez la vidange dans le système d'évacuation domestique, installez une vanne d'admission d'air si nécessaire.
La fuite de détergent.	De l'air est présent dans l'alimentation en eau.	Vérifiez si l'alimentation en eau présente des fuites ou d'autres problèmes laissant entrer de l'air.
	Dépend du détergent liquide utilisé et peut être accentuée en cas d'activation de l'option de retardement.	Les petites fuites n'entraînent pas de dysfonctionnement de la machine et peuvent être évitées en changeant de type de détergent liquide ou en utilisant des tablettes.

**Vous trouverez les documents normatifs, la documentation standard, le classement des pièces de rechange et des informations supplémentaires sur les produits:**

- En utilisant le QR code sur votre produit.
- En visitant notre site web [docs.whirlpool.eu](https://docs.whirlpool.eu) et [parts-selfservice.europeanappliances.com](https://parts-selfservice.europeanappliances.com)
- Vous pouvez également **contacter notre Service après-vente** (voir numéro de téléphone dans le livret de garantie). Lorsque vous contactez notre Service après-vente, veuillez indiquer les codes figurant sur la plaque signalétique de l'appareil.

Les informations relatives au modèle peuvent être trouvées en utilisant le QR-Code figurant sur l'étiquette énergétique. L'étiquette comprend également l'identifiant du modèle qui peut être utilisé pour consulter le portail du registre sur le site <https://eprel.ec.europa.eu>.



©/TM/ © 2024 Whirlpool. Produit sous licence.

# MINDENNAPI HASZNÁLATI ÚTMUTATÓ



**KÖSZÖNJÜK, HOGY A WHIRLPOOL TERMÉKÉT VÁLASZTotta!**

Teljes körű támogatásért kérjük, regisztrálja termékét honlapunkon: [www.whirlpool.eu/register](http://www.whirlpool.eu/register)



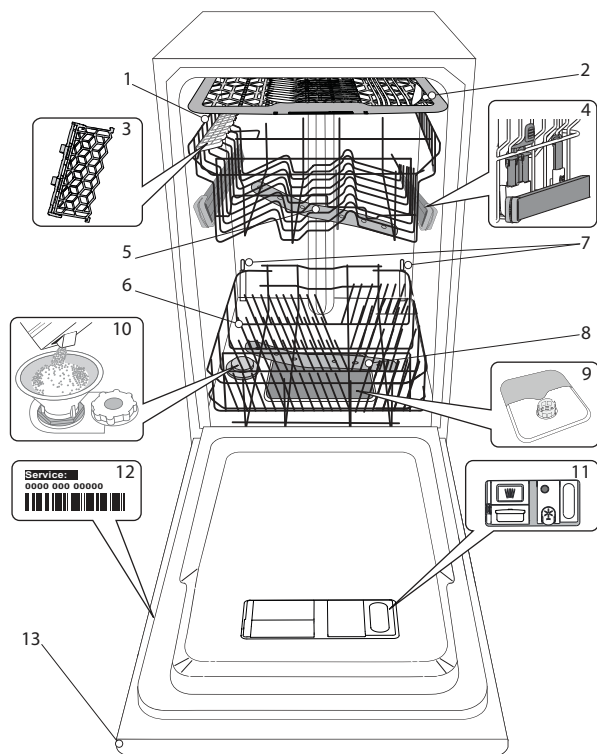
**A készülék használata előtt olvassa el figyelmesen a Biztonsági útmutatót.**

**A RÉSZLETESEBB  
INFORMÁCIÓKÉRT KÉRJÜK,  
SZKENNELJE BE A KÉSZÜLÉKEN  
TALÁLHATÓ QR KÓDOT**



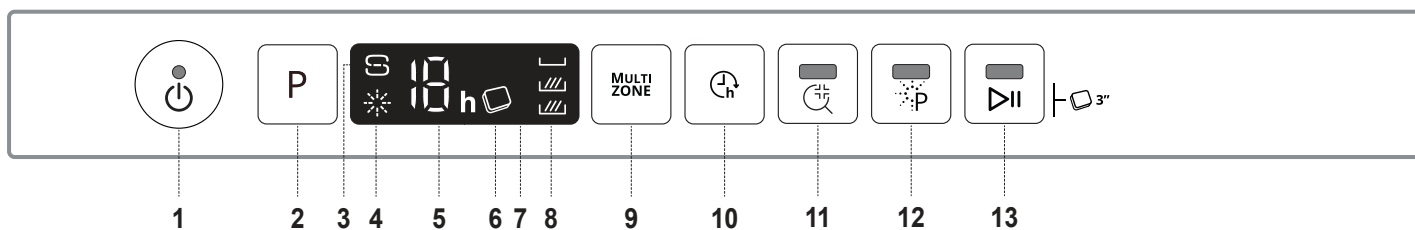
## A TERMÉK BEMUTATÁSA

### KÉSZÜLÉK



1. Felső kosár
2. Evőeszköztartó
3. Lehajtható polcok
4. Felső kosár magasságbeállítója
5. Felső permetezőkar
6. Alsó kosár
7. Power Clean® támogatás
8. Alsó permetezőkar
9. Szűrőegység
10. Sótartály
11. Mosogatószer- és öblítőszer-adagoló
12. Adattábla
13. Kezelőpanel

### KEZELŐPANEL



1. Be/Ki/Újraindítás gomb és jelzőfény
2. Programválasztó gomb
3. Só utántöltése jelzőfény
4. Öblítőszer utántöltése jelzőfény
5. Program száma és a késleltetés kijelzése
6. Tabletta (Tab) jelzőfény
7. Kijelző
8. Multizone jelzőfénye
9. Multizone gomb
10. Késleltetés gomb
11. Fertőtlenítő öblítés gomb és jelzőfény
12. Power Clean® gomb és jelzőfény
13. Indítás/Szünet gomb és jelzőfény / Tabletta (Tab)

# ELSŐ HASZNÁLAT SÓ, ÖBLÍTŐSZER ÉS MOSOGATÓSZER


## TANÁCSOK AZ ELSŐ HASZNÁLATHOZ

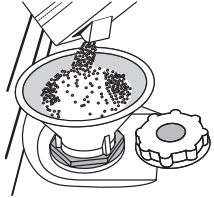
Az üzembe helyezés után távolítsa el az ütközőket a kosarokról és a rugalmas rögzítőelemeket a felső kosárról.

## A SÓTARTÁLY FELTÖLTÉSE

Só használatával elkerülhető, hogy VÍZKŐ képződjön az edényeken és a gép funkcionális alkatrészein.

- Feltétlenül szükséges, hogy a **SÓTARTÁLY SOHA NE LEGYEN ÜRES.**
- Fontos, hogy a vízkeménység be legyen állítva.

A sótartály a mosogatógép alsó részén található (lásd **TERMÉK BEMUTATÁSA**), és akkor kell feltölteni, amikor a kezelőpanelen az, **SÓ UTÁNTÖLTÉSE** jelzőfény  világítani kezd.



1. Vegye ki az alsó kosarat, és csavarja ki a tartály kupakját (az óramutató járásával ellentétes irányba).
2. **Csak a legelső használatkor: tölts fel vízzel a sótartályt!**
3. Helyezze be a tölcsért (lásd az ábrát), és tölts fel teljesen a sótartályt (ehhez kb. 1 kg só szükséges). Előfordulhat, hogy egy kevés víz kifolyik a rekeszből.
4. Vegye ki a tölcsért, és törölje le az esetlegesen kiszóródott sót a nyílás környékéről.

Zárja vissza szorosan a kupakot úgy, hogy a mosogatási program során ne kerülhessen mosogatószer a tartályba (ellenkező esetben a vízlágyító helyrehozhatatlanul károsodhat).

**Ha esedékes a só hozzáadása, mindenképpen el kell végezni az eljárást a mosogatási ciklus megkezdése előtt a korrózió elkerülése érdekében.**

## A VÍZKEMÉNYSÉG BEÁLLÍTÁSA

A vízlágyító akkor működik tökéletesen, ha a vízkeménységet a lakóhelyén elérhető víz tényleges keménysége alapján állítja be. Ezzel kapcsolatban érdeklődjön a helyi vízműveknél.

A gyár beállítja a vízkeménység alapértelmezett értékét.

- Kapcsolja be a készüléket a **BE/KI** gombbal.
- Kapcsolja ki a készüléket a **BE/KI** gombbal.
- Nyomja meg és tartsa lenyomva a **P** gombot 5 másodpercig, amíg sípolás nem hallatszik.
- Kapcsolja be a készüléket a **BE/KI** gombbal.
- Villogni kezd az aktuálisan kiválasztott szintet jelző szám és asótöltetet jelző fény.
- Nyomja meg a **P** gombot a kívánt keménységi szint kiválasztásához (lásd **VÍZKEMÉNYSÉGI TÁBLÁZAT**).

Vízkeménységi táblázat

Szint	°dH Német rendszer	°fH Francia rendszer	°Clark Angol rendszer
1 Lágy	0 - 6	0 - 10	0 - 7
2 Közepes	7 - 11	11 - 20	8 - 14
3 Átlagos	12 - 16	21 - 29	15 - 20
4 Kemény	17 - 34	30 - 60	21 - 42
5 Nagyon kemény	35 - 50	61 - 90	43 - 62

- Kapcsolja ki a készüléket a **BE/KI** gombbal.

A beállítás megtörtént.

Ezután edények nélkül futtasson le egy programot.

**Kizárólag mosogatógépekhez készült só használjon.**


Miután sóntöltött a készülékbe, a „SÓ UTÁNTÖLTÉSE” jelzőfény kialszik.

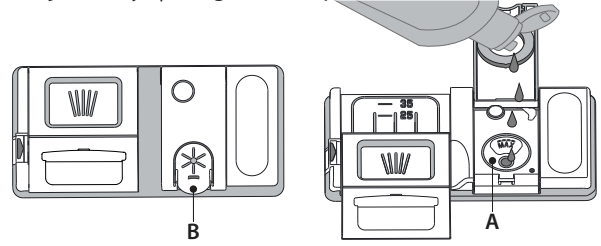
**Ha nem tölti fel a sótartályt, a vízlágyító és a fűtőelem a vízkő felhalmozódása miatt károsodhat.**

**Só használata bármilyen mosogatószer mellett ajánlott.**

## AZ ÖBLÍTŐSZER-ADAGOLÓ FELTÖLTÉSE

Az öblítőszerezrel könnyebben SZÁRADNAK az edények.

Az öblítőszerezadagolót **A** akkor kell feltölteni, ha az **ÖBLÍTŐSZER UTÁNTÖLTÉSE** jelzőfény  világít a kezelőpanelen.



1. Nyissa ki az adagolót **B** úgy, hogy a fedélen lévő fület lenyomja, majd felfelé húzza.
2. Óvatosan öntse be az öblítőszeret. Ne lépje túl a tartályban jelölt maximális mennyiséget (110 ml), és ne öntse ki a folyadékot. Ha ez mégis megtörténik, azonnal törölje fel a kiömlött folyadékot egy száraz ruhával.
3. Csukja vissza a fedelet: ehhez nyomja le, amíg kattanas nem hallatszik. **SOHA ne öntse az öblítőszeret közvetlenül a mosogatótérbe.**

## AZ ÖBLÍTŐSZER ADAGOLÁSA

Ha nem elégedett a szárítási eredménnyel, módosítsa a használt öblítőszerez mennyiségét.

- Kapcsolja be a mosogatógépet a **BE/KI** gombbal.
- Kapcsolja ki a készüléket a **BE/KI** gombbal.
- Nyomja meg háromszor a **P** gombot, ekkor sípolás hallatszik.
- Kapcsolja be a készüléket a **BE/KI** gombbal.
- Az aktuálisan kiválasztott szintet jelző szám és az öblítőszerez jelzőfény villog.
- Az adagolandó öblítőszerez mennyiségét jelző szint beállításához nyomja meg a **P** gombot.
- Kapcsolja ki a készüléket a **BE/KI** gombbal.

A beállítás megtörtént.

Ha az öblítőszerez szintjét 0-ra állítja (ÖKO), a készülék nem adagol öblítőszerez. Az **ÖBLÍTŐSZER UTÁNTÖLTÉSE** jelzőfény nem fog kigyuladni, amikor kifogy az öblítőszerez.

A mosogatógép típusától függően legfeljebb 5 szint állítható be. A gyári beállítás a modelltől függ – az adott készüléken történő meghatározáshoz kövesse a fenti utasításokat.

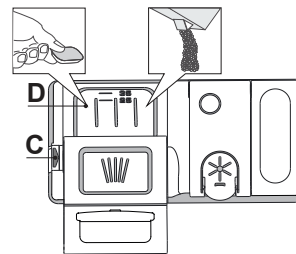
- Ha kékes csíkok jelennek meg az edényeken, alacsony értéket állítson be (1-2).
- Ha vízcspekpek vagy vízkő látható az edényeken, magas értéket állítson be (3-4).

## A MOSOGATÓSZER-ADAGOLÓ FELTÖLTÉSE

**A mosogatószerez-adagoló nyitásához használja az C eszközt.**

**A mosogatószerez kizárólag a száraz D adagolóba önthető.**

**Az előmosogatóshoz használt mosogatószerez közvetlenül a mosogatótérbe helyezze.**



1. A mosogatószerez kimérésekor a helyes mennyiség meghatározását az eddigi információk alapján végezze. A mosogatószerez-adagoló **D** belsejében elhelyezett jelzések segítenek a megfelelő mennyiség meghatározásában.
2. Törölje le a kiömlött mosogatószerez az adagoló széléről, majd zárja vissza a fedelet kattanasig.
3. Zárja vissza a mosogatószerez-adagoló fedelét: húzza felfelé, amíg a zárszerkezet rögzül.

A mosogatószerez-adagoló automatikusan kinyílik, amikor a program az adott szakaszba ér.

Kombinált mosogatószerez használatkor javasoljuk, hogy nyomja meg a **TABLETTA** gombot. Ezzel a program úgy módosul, hogy a legjobb mosogatósi és szárítási eredményt nyújtsa.

**A nem mosogatógéphez készült mosogatószerez használata a készülék hibás működését vagy sérülését okozhatja.**

# PROGRAMTÁBLÁZAT

Program	Szárítási fázis	NaturalDry	Választható beállítások *)	A mosogatási program időtartama (óra:perc)**)	Vízfogyasztás (liter/ciklus)	Energiafogyasztás (kWh/ciklus)
1. Öko Eco 50°	✓	✓		3:40	9,0	0,67
2. 6 <sup>th</sup> Sense® 6 <sup>th</sup> sense 50-60°	✓	✓		1:20 - 3:00	7,0 - 14,0	0,70 - 1,10
3. Intenzív 65°	✓	✓		2:45	17,5	1,60
4. Gyors mosogatás és szárítás 50°	✓	✓		1:25	11,5	1,10
5. Üveg 45°	✓	✓		1:40	12,0	1,20
6. Gyors 30' 50°	-	✓		0:30	9,0	0,50
7. Előmosogatás -	-	-		0:10	4,5	0,01
8. Öntisztítás 65°	-	-		0:50	8,0	0,85

Az ÖKO program adatainak mérése laboratóriumi körülmények között, az EN 60436:2020 európai szabvány előírásainak megfelelően történt. Megjegyzés a vizsgáló laboratóriumok számára: az EN összehasonlító vizsgálatának körülményeivel kapcsolatos információkért írjon a következő címre: [dw\\_test\\_support@europeanappliances.com](mailto:dw_test_support@europeanappliances.com).

Az edények előkezelése egyik programnál sem szükséges.

\*) Nem minden opció használható egyszerre.

\*\*\*) Az energiatakarékos programtól eltérő programokhoz megadott értékek csak tájékoztató jellegűek. A tényleges időtartam számos tényezőtől függ, mint például a belépő víz hőmérsékletétől és nyomásától, a helyiség hőmérsékletétől, a mosogatószer mennyiségétől, az edények mennyiségétől és típusától, a súlyelosztástól, a kiválasztott kiegészítő funkcióktól és az érzékelő kalibrációjától. Az érzékelő kalibrációja akár 20 perccel is növelheti a program hosszát.

## A PROGRAMOK BEMUTATÁSA

### Utasítások a mosogatási ciklus kiválasztásához.

#### 1 ÖKO

Az energiatakarékos programmal átlagosan szennyezett edényeket tisztíthat, amely a kombinált energia- és vízfogyasztása miatt a leghatékonyabb program, és a segítségével kiértékelhető, hogy a készülék megfelel-e az EU energiatakarékos kivitelre vonatkozó jogszabályának.

#### 2 6<sup>th</sup> SENSE®

Normál szennyezettségű edényekhez, melyeken rászáradt ételmaradék található. Érzékeli a szennyezettség szintjét az edényeken, és a programot ennek megfelelően állítja be. Amikor az érzékelő a szennyezettségi szintet méri fel, a kijelzőn egy animáció látható, és frissül a mosogatási ciklus időtartama.

#### 3 INTENZÍV

Erősen szennyezett edényekhez ajánlott program, amely különösen serpenyőkhöz és sütőedényekhez ideális (kényes edényekhez nem használható).

#### 4 GYORS MOSOGATÁS ÉS SZÁRÍTÁS

Normál mértékben szennyezett edényekhez használható. Mindennap használható program, amely rövid idő alatt optimális mosogatási és szárítási eredményt nyújt.

#### 5 ÜVEG

Program az olyan kényes edényekhez, melyek az átlagnál érzékenyebbek a magas hőmérsékletre (például üvegpoharak, csészék).

#### 6 GYORS 30'

Program fél töltes enyhén szennyezett edényhez, amelyen nincs rászáradt ételmaradék. Nem rendelkezik szárítási szakasszal.

#### 7 ELŐMOSOGATÁS

Az edények frissítéséhez, amennyiben azokat később szeretné elmosogatni. Ehhez a programhoz nem kell mosogatószert használni.

#### 8 ÖNTISZTÍTÁS

A mosogatógép karbantartására szolgáló programot csak akkor alkalmazza, ha a mosogatógép ÜRES, valamint használjon a mosogatógép karbantartására alkalmas, speciális tisztítószerrel.

#### Megjegyzések:

Vegye figyelembe, hogy a Gyors 30' program enyhén szennyezett edényekhez használható.

# OPCIÓK ÉS FUNKCIÓK

Az OPCIÓK kiválasztásához nyomja meg a megfelelő gombot (lásd: KEZELŐPANEL).

**Ha valamely opció nem kompatibilis a kiválasztott programmal (lásd: PROGRAMOK TÁBLÁZATA), a megfelelő LED háromszor gyorsan felvillan, és sípoló hangjelzések hallhatók. Az opció nem aktív.**

## MULTI ZONE MULTIZONE

Ha nincs sok mosatlan edény, vizet, áramot és mosogatószert takaríthat meg úgy, hogy fél töltettel indítja el a készüléket. Válassza ki a programot, majd nyomja meg a MULTIZONE gombot: megjelenik a választott kosárhoz tartozó szimbólum a kijelzőn. Alapértelmezett beállításként a készülék mindkét kosárban elvégzi a mosogatást. Ha csak az egyik kosár tartalmát szeretné elmosni, nyomja meg többször a gombot:



látható a kijelzőn (csak az alsó kosár aktív)



látható a kijelzőn (csak a felső kosár aktív)



látható a kijelzőn (csak a felső kosár aktív)



látható a kijelzőn (a beállítás KI VAN KAPCSOLVA, a készülék az összes kosár tartalmát elmossa).

**Ne feledje, hogy elegendő csak a felső vagy az alsó kosarat megtölteni, és ennek megfelelően csökkenthető a mosogatószer mennyisége is.**

**Ha a felső kosár ki van véve, a mosogatószert közvetlenül a tartályba adagolja, ne a mosogatószer-adagolóba.**



## KÉSLELTETÉS

A program indítása 1–12 órával késleltethető.

1. Nyomja meg a KÉSLELTETÉS gombot: a kijelzőn kigyullad a megfelelő „h” szimbólum; a gomb minden megnyomása-kor nő a beállított mosogatási ciklus indításáig hátralévő idő (1 óra, 2 óra stb., de legfeljebb 12 óra).
2. Válassza ki a mosogatási programot, nyomja meg a INDÍTÁS/SZÜNET gombot, és zárja be az ajtót 4 másodpercen belül. Az időzítő elkezd a visszaszámlálást.
3. A beállított idő leteltekor kialszik a „h” jelzőfény, és elindul a mosogatási ciklus.

A késleltetési idő módosításához, azaz rövidebb idő kiválasztásához nyomja meg a KÉSLELTETÉS gombot. A késleltetés törléséhez nyomja meg többször egymás után a gombot, amíg a késleltetett indításhoz tartozó „h” jelzőfény kialszik.

**A KÉSLELTETÉS funkció nem állítható be, ha a mosogatási ciklus már fut.**



## TABLETTA (TAB)

Ezzel a beállítással a használt mosogatószer típusának megfelelően optimalizálható a program hatékonysága.

Ha tablettá formájában kombinált (öblítőt, sót és mosogatószert egyaránt tartalmazó) mosogatószert használ, nyomja meg és tartsa lenyomva a INDÍTÁS/SZÜNET gombot 3 másodpercig (kigyullad a megfelelő szimbólum).

**Ha mosogatóport vagy folyékony mosogatószert használ, ezt az opciót ki kell kapcsolni.**



## POWER CLEAN®

A nagynyomású vízsugaraknak köszönhetően ez az opció intenzívebb és hatékonyabb mosogatást biztosít az alsó kosár meghatározott területén. Ez az opció lábasok és tálak mosogatásához ajánlott. A gomb megnyomásával aktiválhatja a POWER CLEAN funkciót (a jelzőfény kigyullad).



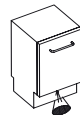
## FERTŐTLENÍTŐ ÖBLÍTÉS

Ez az opció az elmosogatott edények fertőtlenítésére használható.

Növeli az utolsó öblítés hőmérsékletét, és antibakteriális mosogatással egészíti ki a kiválasztott programot.

Válassza ki a mosogatási programot, és nyomja meg a FERTŐTLENÍTŐ ÖBLÍTÉS gombot. Kigyullad a jelzőfény. A beállítás törléséhez nyomja meg ismét a gombot. Ideális edények és cumisüveg mosogatásához. A baktériumok elpusztítása érdekében a mosogatógép ajtaját a program teljes időtartama alatt zárva kell tartani. Ha az ajtót kinyitják, a jelzőfény villogni kezd.

**VIGYÁZAT! A ciklus végén az edények és tányérok rendkívül forróak lehetnek.**



## MŰKÖDÉS KIJELZŐJE

A padlóra vetített LED-fény jelzi, hogy a mosogatógép működik. A következő üzemmódok választhatók ki:

- a) Kikapcsolt funkció.
- b) A ciklus indításakor a jelzőfény néhány másodpercig világít, a ciklus időtartama alatt nem világít, míg a ciklus végén villog.
- c) A jelzőfény a ciklus időtartama alatt világít, majd a ciklus végén villog (alapértelmezett beállítás).

Ha a késleltetett indítás aktív, a jelzés világít a visszaszámlálás első néhány másodpercében vagy a teljes hossza alatt (attól függően, hogy a b) vagy c) üzemmódot választotta).

Az ajtó nyitáskor a fény kialszik. A kívánt üzemmód kiválasztásához kapcsolja be a gépet, nyomja meg és tartsa lenyomva a P gombot, amíg a három betű valamelyike meg nem jelenik a kijelzőn, majd nyomja meg a P gombot többször egymás után, amíg meg nem jelenik a kívánt betű (vagy üzemmód). A kiválasztás megerősítéséhez tartsa lenyomva a P gombot.

**Megjegyzés: Ha a NaturalDry aktív és kinyitja az ajtót, a működés kijelzője nem villog a ciklus végén.**

## NaturalDry

NaturalDry egy olyan konvekciós szárítórendszer, amely automatikusan kinyitja az ajtót a szárítási fázis közben/után a folyamatos, kiemelkedően jó szárítási eredmény érdekében. Az ajtó csak olyan hőmérsékleten nyílik ki, amely nem károsítja a konyhaszekrényeket, tehát a FERTŐTLENÍTŐ ÖBLÍTÉS funkció során az ajtó nem fog kinyílni.

A gőz ellen további védelmet nyújt a mosogatógéphez mellékelte, külön erre a célra tervezett védőfólia. A védőfólia felhelyezésének lépéseit az ÜZEMBE HELYEZÉSI ÚTMUTATÓBAN találja.

A NaturalDry működését a felhasználó kikapcsolhatja:

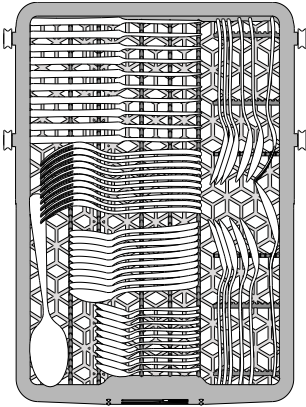
1. Lépjen be a mosogatógép szoftver menüjébe a P gomb nyomva tartásával (kb. 6 másodpercig).
2. Ekkor a Light Control (Fényszabályzás) menü nyílik meg (lásd MŰKÖDÉS KIJELZŐJE leírása). Ha nem kíván semmit átállítani, nyomja meg ismét és tartsa lenyomva a P gombot (amíg a három betű valamelyike meg nem jelenik a kijelzőn).
3. Ekkor megjelenik a NaturalDry Control (NaturalDry vezérlés) menü, ahol a P gombbal ki- vagy bekapcsolhatja a NaturalDry funkciót:

**E** – engedélyez                      **d** – letilt

A beállítás jóváhagyásához és a menüből való kilépéshez tartsa lenyomva a P gombot (3 másodpercig).

# A KOSARAK MEGTÖLTÉSE

## EVŐESZKÖZTARTÓ

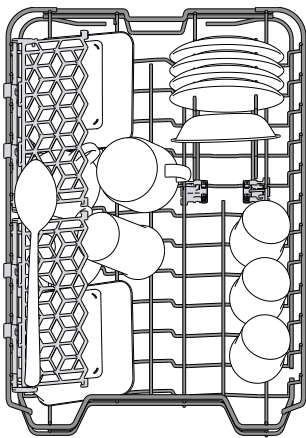


A harmadik kosár az evőeszközök bepakolására szolgál. Az evőeszközöket az ábrán látható módon helyezze el.

A külön gyűjtött evőeszközök a mosogatás után könnyebben kivehetők, valamint így a mosogatási és szárítási eredmény is javul.

**A késeket és egyéb éles eszközöket élükkel lefelé rakja a kosárba.**

## FELSŐ KOSÁR



(Példa a megtöltött felső kosárra)

Ide helyezhetők a kényesebb és könnyű edények, például poharak, csészek, tálkák, kis salátástálak.

A felső kosár lehajtható tartóelemekkel rendelkezik: függőleges helyzetbe állítva csészealjakat, kistányérokat, leengedett helyzetbe állítva pedig tálakat, ételtartókat pakolhat be.

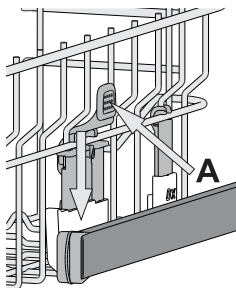
### A FELSŐ KOSÁR MAGASSÁGÁNAK BEÁLLÍTÁSA

A felső kosár magassága állítható. Ha a felső állásba állítja, az alsó kosárba nagyobb edények helyezhetők; ha az alsó állásba állítja, maximálisan kihasználhatók a lehajtható rögzítőelemek: függőlegesen több hely áll rendelkezésre, és az alsó kosárba pakolt edényeknek is elegendő hely jut.

A felső kosár magasságbeállítóval rendelkezik (lásd az ábrát). Magasabbra állításához fogja meg a kosár két oldalát, és az emelőkarok megnyomása nélkül emelje azt feljebb. A kosár a felső helyzetbe áll. Az alsó helyzetbe állításához nyomja meg a kosár két oldalán lévő emelőkarokat A, és tolja lefelé a kosarat.

**Kifejezetten javasoljuk, hogy ne módosítsa a kosár magasságát akkor, amikor a kosárban edények találhatók.**

**A kosár lejjebb vagy feljebb helyezésekor SOHA ne csak az egyik oldal magasságát módosítsa.**

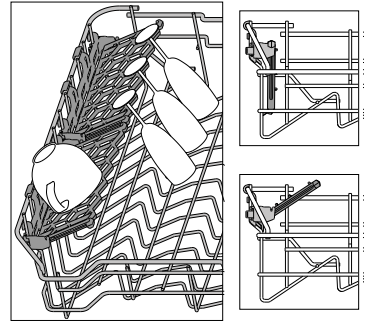


## ÁLLÍTHATÓ MAGASSÁGÚ LEHAJTHATÓ POLCOK

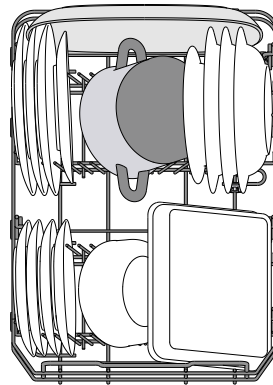
A kosárban lévő edények optimális elrendezése érdekében az oldalsó polcok fel- és lehajthatók. A borospoharak biztonságosan helyezhetők a lehajtható polcokra: a poharak talpát illessze a megfelelő nyílásokba.

Készüléktípustól függően:

- a polcok lehajtásához csúsztassa azokat fel és forgassa el, vagy vegye ki a rögzítőkből és húzza lefelé.
- a polcok felhajtásához forgassa azokat el és csúsztassa lefelé, vagy húzza felfelé és rögzítse.



## ALSÓ KOSÁR



(Példa a megtöltött alsó kosárra)

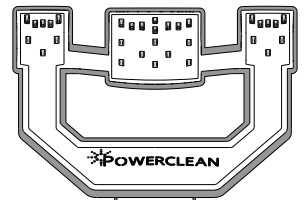
Ide fazekak, fedők, tányérok, salátástálak, evőeszközök stb. pakolhatók. A nagyobb tányérokat és fedőket lehetőség szerint a kosár szélére helyezze, hogy biztosan ne érjenek a szűrőkarokhoz.

Az alsó kosár lehajtható tartóelemekkel rendelkezik: függőleges helyzetbe állítva tányérokat, vízszintes (leengedett) helyzetbe állítva pedig tálakat, lábasokat pakolhat be egyszerűen.

### POWER CLEAN® AZ ALSÓ KOSÁRBA

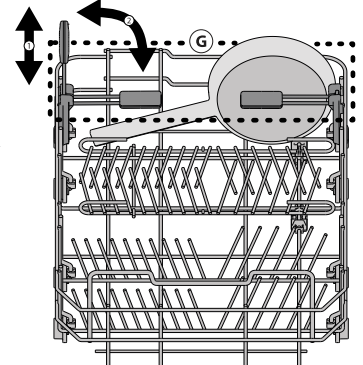
A Power Clean® során a készülék a mosogatótér hátsó része felől érkező vízugarak segítségével intenzívebben mossa el az erősen szennyezett edényeket. Az alsó kosárban található egy ún. nagyterű zóna. Ez a speciális, kihúzható tartóelem a kosár hátsó részén található, és lehetővé teszi a serpenyők és tepsik függőleges helyzetben történő elhelyezését, amivel hely takarítható meg.

Helyezze be a gépbe a fazekakat/tálakat úgy, hogy a Power Clean® berendezés felé nézzenek, majd kapcsolja be a kezelőpanelen a POWER CLEAN opciót.



A Power Clean® funkció használata:

1. Készítse elő a Power Clean® területet (G): hajtsa le a hátsó tányértartókat, hogy beférjenek az edények.
2. Tegye be a fazekakat és a tálakat úgy, hogy a Power Clean® terület felé dőljenek. A fazekakat a nagynyomású vízugarak felé kell megdönteni.



# MINDENNAPI HASZNÁLAT

## 1. ELLENŐRIZZE A VÍZBEKÖTÉST

Ellenőrizze, hogy a mosogatógép rá van-e kötve a vízhálózatra, és hogy a csap nyitva van-e.

## 2. KAPCSOLJA BE A MOSOGATÓGÉPET

Nyissa ki a készülék ajtaját, és nyomja meg a **BE/KI** gombot.

## 3. A KOSARAK MEGTÖLTÉSE (lásd: A KOSARAK MEGTÖLTÉSE)

## 4. A MOSOGATÓSZER-ADAGOLÓ FELTÖLTÉSE

## 5. A PROGRAM KIVÁLASZTÁSA ÉS A CIKLUS BEÁLLÍTÁSA

Az edények típusa és szennyezettségi szintje alapján válassza ki a leginkább megfelelő programot (lásd: PROGRAMOK ISMERTETÉSE) a **P** gombbal.

Állítsa be a kívánt opciókat (lásd: OPCÍÓK ÉS FUNKCIÓK).

## 6. INDÍTÁS

Indítsa el a programot úgy, hogy megnyomja az **INDÍTÁS/Szünet** gombot (a LED kigyullad), majd 4 másodpercen belül becsukja a készülék ajtaját. A program indítását egy hangjelzés jelzi. Ha az ajtót nem csukja be 4 másodpercen belül, riasztás hallható. Ilyenkor nyissa ki az ajtót, nyomja meg ismét az **INDÍTÁS/Szünet** gombot, majd 4 másodpercen belül csukja be az ajtót.

## 7. A MOSOGATÁSI CIKLUS VÉGE

A mosogatósi ciklus végén sípoló hangjelzések hallhatók, és a kijelzőn villogni kezd a mosogatósi ciklus száma.

Nyissa ki az ajtót, és kapcsolja ki a készüléket a **BE/KI** gombbal. Az égési sérülések elkerülése érdekében az edények kipakolása előtt várjon néhány percet. Vegye ki az edényeket. Először az alsó kosarat ürítse ki.

**Az energiafogyasztás csökkentése érdekében a készülék automatikusan kikapcsol, ha bizonyos ideig nem használják. Ha az edények enyhén szennyezettek, vagy a mosogatógépbe helyezés előtt vízzel leöblítették azokat, használjon kevesebb mosogatószert.**

## FUTÓ PROGRAM MÓDOSÍTÁSA

Ha nem megfelelő programot választott, az közvetlenül az indulás után még módosítható: nyissa ki az ajtót, és tartsa nyomva a **BE/KI** gombot, amíg a készülék kikapcsol.

Kapcsolja vissza a mosogatógépet a **BE/KI** gombbal, majd válassza ki az új mosogatósi ciklust és az esetleges opciókat. Indítsa el a programot úgy, hogy megnyomja az **INDÍTÁS/Szünet** gombot, majd 4 másodpercen belül becsukja a készülék ajtaját.

## TOVÁBBI EDÉNYEK HOZZÁADÁSA

A készülék kikapcsolása nélkül nyissa ki az ajtót. Ekkor az **INDÍTÁS/Szünet** LED villogni kezd (**vigyázzon a kicsapó FORRÓ gőzre!**), majd tegyen be további edényeket a mosogatógépbe. Nyomja meg az **INDÍTÁS/Szünet** gombot, majd 4 másodpercen belül csukja be az ajtót. A készülék onnan folytatja a mosogatósi ciklust, ahol az félbeszakadt.

## VÉLETLEN MEGSZAKÍTÁS

Ha a mosogatósi ciklus közben kinyitják az ajtót, vagy elmegy az áram, a ciklus leáll. Nyomja meg az **INDÍTÁS/Szünet** gombot, majd 4 másodpercen belül csukja be az ajtót. A készülék onnan folytatja a mosogatósi ciklust, ahol az félbeszakadt.

# TANÁCSOK ÉS TIPPEK

## TANÁCSOK

A kosarak megtöltése előtt távolítsa el az ételmaradékokat az edényekről, és ürítse ki a poharakat. **Mosogatósi előtt nem szükséges folyó vízzel leöblíteni az edényeket.**

Az edényeket úgy rendezze el, hogy biztosan álljanak, ne dőljenek el könnyen. Az edények nyílása lefelé nézzen, és a homorú/domború részek ferdén álljanak, hogy a víz mindenhova elérjen, és akadálytalanul folyhasson.

**Vigyázat!** A fedők, fogantyúk, tálak és serpenyők nem állítják meg a forgó szórókarokat.

A kisebb tárgyakat az evőeszközkosárba helyezze. Az erősen szennyezett edényeket az alsó kosárba kell helyezni, mivel ott erősebb a vízpermet, azaz jobb a mosogatósi eredmény. A készülék megtöltése után ellenőrizze, hogy a szórókarok forgását nem akadályozza-e valami.

## GÉPBE NEM MOSOGATHATÓ EDÉNYEK

- Fából készült edények és evőeszközök.
- Kényes, díszes poharak, kézműves és antik edények. Ezek a díszítések nem bírják a gépi mosogatóst.
- Szintetikus anyagból készült részek, amelyek nem bírják a magas hőmérsékletet.
- Réz- és bádagedények.
- Hamuval, viasszal, kenőzsírral vagy tintával szennyezett edények.

A poharakon lévő díszítés és az alumínium- vagy ezüstedények színe megváltozhat, kifakulhat a mosogatósi során. Egyes üvegtípusok (pl. kristályüveg) néhány mosogatósi ciklus után homályossá válhatnak.

## A POHARAK ÉS AZ EDÉNYEK KÁROSODÁSA

- A készülékbe kizárólag olyan üveg- és porcelánedények helyezhetők, amelyek a gyártó állítása szerint mosogatógépben mosogathatók.
- Az edényekhez megfelelő, kímélő mosogatószert használjon.
- Az edényeket és az evőeszközöket a mosogatósi ciklus végeztével azonnal vegye ki a mosogatógépéből.

## A POHARAK ÉS AZ EDÉNYEK KÁROSODÁSA

- Ha a háztartási mosogatógépet a gyártó utasításainak megfelelően használják, **az edények mosogatógépben történő mosogatása általában KEVESEBB ENERGIÁT és vizet igényel, mint a kézi mosogatósi.**
- A mosogatógép hatékonyságának maximalizálásához javasolt **a mosogatósi programot a mosogatógép teljes betöltése után indítani.** Ha a háztartási mosogatógépet a gyártó által jelzett kapacitásig tölti fel, azzal energiát és vizet takaríthat meg. Az edények helyes betöltésével kapcsolatos információt a **KOSARAK MEGRAKODÁSA** című fejezetben talál. Részleges betöltés esetén javasolt a megfelelő mosogatósi beállítást (Fél töltet / Zónamosogatósi / Multizone) használni, ha lehetséges, csak a kijelölt kosarakat használva. A mosogatógép helytelen betöltése vagy túltöltése fokozhatja az erőforrások (például víz, energia és idő) felhasználását, megnövelheti a zajszintet, és csökkentheti a mosogatósi és szárítási teljesítményt.
- Az edények manuális előöblítése megnövekedett víz- és energiafogyasztást eredményezhet, és nem javasolt.

## HIGIÉNYIA

A mosogatógépben keletkező kellemetlen szag és lerakódások elkerülése érdekében legalább havonta egyszer futtasson le egy magas hőmérsékletű programot. Használjon egy teáskanál mosogatószert, és a készülék tisztításához futtassa le a programot edények nélkül.

# ÁPOLÁS ÉS KARBANTARTÁS

## A SZŰRŐEGYSÉG TISZTÍTÁSA

Rendszeresen tisztítsa ki a szűrőegységet, így megelőzhető a szűrők eltömődése, és a víz szabadon tud távozni.

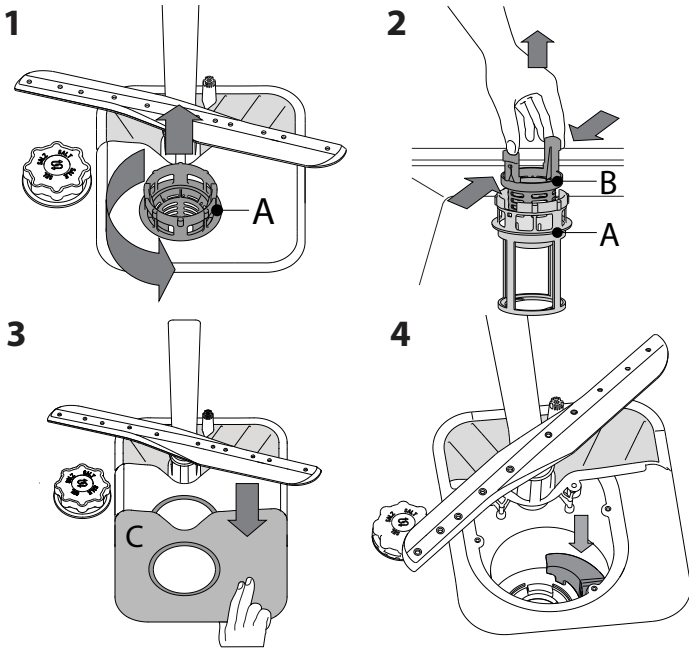
Ha a mosogatógép használata során a szűrők el vannak tömődve, illetve ha a szűrőrendszerben vagy a szórókarokban tárgyak vannak, az a berendezés nem megfelelő működését okozhatja, ami a teljesítmény csökkenését, zajos működést vagy nagyobb erőforrás-felhasználást eredményezhet.

A szűrőegység három szűrőből áll, amelyek eltávolítják az ételmaradékokat a mosogatóvízből, majd visszaforgatják a vizet.

**A mosogatógép nem használható szűrők nélkül vagy meglazult szűrővel.**

Havonta legalább egyszer vagy 30 programonként ellenőrizze a szűrőegységet, és szükség esetén tisztítsa meg alaposan folyó víz alatt, nem-fémes kefével, az alábbi utasításoknak megfelelően:

1. Forgassa a henger alakú szűrőt **A** az óramutató járásával ellentétes irányba, majd húzza ki (1. ábra).
2. Vegye ki a kehely alakú szűrőt **B** úgy, hogy enyhén megnyomja az oldalsó füleket (2. ábra).
3. Csúsztassa ki a rozsdamentes acélból készült szűrőlemezt **C** (3. ábra).
4. Ha idegen tárgyat (például törött üveget, porcelánt, csontot, gyümölcsmagot stb.) talál, **óvatosan távolítsa el azt**.
5. Ellenőrizze a szűrőrészt, és távolítsa el az ételmaradékokat. **SOHA NE TÁVOLÍTSA EL** a mosogatóciklust végző pumpa védőfedelét (feketével jelölve) (4. ábra)!



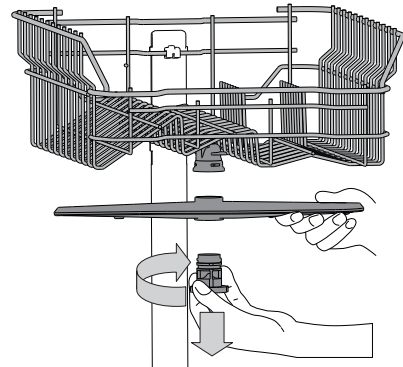
A szűrők tisztítása után helyezze vissza a szűrőegységet, és rögzítse megfelelően a helyére. Ez elengedhetetlen a mosogatógép hatékony működéséhez.

## A VÍZBEVEZETŐ TÖMLŐ TISZTÍTÁSA

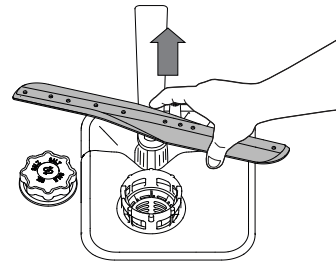
Ha a víztömlők újak, vagy azokat hosszabb ideig nem használták, a csatlakoztatás előtt folyasson át rajtuk vizet, hogy biztosan tiszták és szennyeződéstől mentesek legyenek. Ha nem végzi el ezt az óvintézkedést, a vízbevezető tömlő eltömődhet, és károsíthatja a mosogatógépet.

## A SZÓRÓKAROK TISZTÍTÁSA

Időnként ételmaradék száradhat a szórókarokra, és eltömítheti a víz permetezésére szolgáló nyílásokat. Ezért javasoljuk, hogy rendszeresen ellenőrizze a szórókarokat, és tisztítsa meg azokat egy kisméretű, nem-fémes kefével.



A felső szórókar leszereléséhez forgassa el a műanyag rögzítőgyűrűt az óramutató járásával megegyező irányba. A felső szórókar visszahelyezésekor ügyeljen arra, hogy a több nyílást tartalmazó oldala nézzen felfelé.



Az alsó szórókart felfelé húzva lehet kivenni a helyéről.

## VÍZLÁGYÍTÓ RENDSZER

A vízlágyító rendszer automatikusan csökkenti a víz keménységét, így megelőzve a vízkő felhalmozódását a fűtőszálon, így jobb mosogatási hatékonyságot biztosítva.

**A rendszer sóval regenerálja magát, ezért a só tárolót kiürülés esetén fel kell tölteni.**

A regenerálás gyakorisága a vízkeménység szintjének beállításától függ - a regenerálás **6** Eco ciklusként történik meg **3**-ra állított vízkeménység szinttel.

A regenerálás a végső öblítés közben kezdődik, és a szárítási fázisban, a program vége előtt fejeződik be.

- Egyetlen regenerálás során a készülék: ~3,5 l vizet használ fel;
- A program 5 perccel tovább tart;
- Kevesebb, mint 0,005 kWh energiát használ fel.

# HIBAELHÁRÍTÁS

Ha a mosogatógép nem megfelelően működik, ellenőrizze, hogy a probléma javítható-e az alábbi lista lépéseinek végrehajtásával. Más hibák vagy problémák esetében lépjen kapcsolatba a hivatalos vevőszolgálattal, amelynek kapcsolattartási adatai a garanciafüzetben találhatóak. A pótalkatrészek akár 7, akár 10 évig is rendelkezésre állnak, az adott rendelet követelményeinek megfelelően.

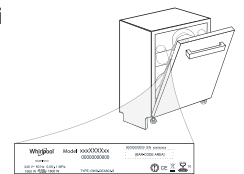
HIBA	LEHETSÉGES OK	MEGOLDÁS
 A só jelzőfényje ég	A sótartály üres. (A sótartály feltöltése után előfordulhat, hogy néhány mosogatási programon keresztül a sószint jelzőfényje tovább világít).	Töltse fel a tartályt sóval (további tudnivalók: 2. oldal). Állítsa be a vízkeménységet. Lásd a 2. oldalon található táblázatot.
 Az öblítőszer jelzőfényje ég	Az öblítőszer adagolója üres. (Az öblítőszer tartály feltöltése után előfordulhat, hogy néhány mosogatási programon keresztül az öblítőszer szintjének jelzőfényje tovább világít).	Töltse fel az adagolót öblítőszerrel (további tudnivalók: 2. oldal).
A mosogatógép nem indul vagy nem reagál a parancsokra.	Nem megfelelően csatlakoztatta a készüléket. Áramkimaradás. Nincs bezárva a mosogatógép ajtaja. A NaturalDry-fül nincs bepattintva. Az ajtó nyitása miatt a program félbeszakad > 4 másodpercre. A készülék nem reagál a parancsokra. A kijelzőn olvasható felirat: Az <b>9</b> vagy <b>12</b> és a BE/KI LED gyorsan villog.	Csatlakoztassa a dugót a hálózati aljzatba. A mosogatógép biztonsági okokból nem indul újra automatikusan az áramszolgáltatás visszatértekor. Nyissa ki a mosogatógép ajtaját, nyomja meg az INDÍTÁS/Szünet gombot, majd 4 másodpercen belül csukja be az ajtót. Erőteljesen nyomja be az ajtót, amíg kattantást nem hall. Nyomja meg az INDÍTÁS/Szünet gombot, és csukja be az ajtót 4 másodpercen belül. Kapcsolja ki a készüléket a BE/KI gombbal, majd kb. 1 perc elteltével kapcsolja vissza, és indítsa újra a programot. Ha a probléma továbbra is fennáll, húzza ki a készüléket a hálózathoz 1 percre, majd csatlakoztassa ismét.
A mosogatógép túl hangosan működik. A kijelzőn olvasható felirat: Az <b>3</b> és a BE/KI LED gyorsan villog.	Még tart a mosogatási ciklus. Mehajlott a leeresztőtömlő. Eltömődött a mosogató lefolyócsöve. Az ételmaradékok eltömítették a szűrőt.	Várja meg, amíg a mosogatási ciklus véget ér. Ellenőrizze, hogy nem hajlott-e meg a leeresztőtömlő (lásd BESZERELÉSI ÚTMUTATÓ). Tisztítsa meg a mosogató lefolyócsövét. Tisztítsa ki a szűrőt (lásd A SZÜRŐEGYSÉG TISZTÍTÁSA).
A mosogatógép túl hangosan működik.	Az edények egymáshoz ütődnek. Túl sok hab képződött.	Az edényeket megfelelően rendezze el (lásd A KOSARAK MEGTÖLTÉSE). Nem megfelelően mérte ki a mosogatószert, vagy az nem használható mosogatógépben (lásd A MOSOGATÓSZER-ADAGOLÓ FELTÖLTÉSE). Indítsa el újra az aktuális programot a BE/KI gombbal, majd kapcsolja be ismét a készüléket, válasszon egy új programot, nyomja meg az INDÍTÁS/Szünet gombot, és csukja be az ajtót 4 másodpercen belül. Ne töltsön bele mosogatószert.
Az edények nem tiszták.	Nem megfelelően rendezte el az edényeket. A szűrőkarok nem forognak szabadon, mivel az edények útban vannak. A mosogatási ciklus túlzottan kímélő. Túl sok hab képződött. Nem megfelelően zárta vissza az öblítőszer rekeszének kupakját. A szűrő szennyezett vagy eltömődött. Kifogyott a só.	Az edényeket megfelelően rendezze el (lásd A KOSARAK MEGTÖLTÉSE). Az edényeket megfelelően rendezze el (lásd A KOSARAK MEGTÖLTÉSE). Válasszon megfelelő mosogatási ciklust (lásd: PROGRAMOK TÁBLÁZATA). Nem megfelelően mérte ki a mosogatószert, vagy az nem használható mosogatógépben (lásd A MOSOGATÓSZER-ADAGOLÓ FELTÖLTÉSE). Zárja vissza az öblítőszer-adagoló kupakját. Tisztítsa ki a szűrőegységet (lásd ÁPOLÁS ÉS KARBANTARTÁS). Töltse fel a tartályt (lásd A SÓTARTÁLY FELTÖLTÉSE).
A készülék nem vesz fel vizet. A kijelzőn olvasható felirat: Az <b>H</b> , <b>6</b> és a BE/KI LED gyorsan villog.	Nem jön víz a vízvezetékbe, vagy el van zárva a vízcsap. Mehajlott a vízbevezető tömlő. Eltömődött a vízbevezető tömlőben lévő szűrő; ki kell tisztítani.	Ellenőrizze, hogy jön-e víz a vízvezetékbe, és a vízcsap nyitva van-e. Ellenőrizze, hogy nincs-e megtörve a vízvezető tömlő (lásd: ÜZEMBE HELYEZÉS), állítsa be újra a mosogatógépet, majd indítsa újra. Az ellenőrzés és a tisztítás után kapcsolja ki, majd be a mosogatógépet, és indítson el egy új programot.
A mosogatógép idő előtt befejezi a programot. A kijelzőn olvasható felirat: Az <b>15</b> és a BE/KI LED gyorsan villog.	A leeresztőtömlő túl alacsonyra van pozicionálva, vagy háztartási szennyvízelvezető rendszerbe vezet le. Levegő van a vízrendszerben.	Ellenőrizze, hogy a leeresztőtömlő vége megfelelő magasságban van-e (lásd: ÜZEMBE HELYEZÉS). Ellenőrizze a levezetést a háztartási szennyvízelvezető rendszerbe, és ha szükséges, szereljen be légbevezető szelepet. Ellenőrizze, hogy a vízrendszer nem szivárog-e, illetve más probléma miatt nem jut-e be levegő.
A mosószer-szivárgás.	Mértéke a használt folyékony mosószertől függően változik, és a késleltetés opció használata esetén fokozódhat.	A kis szivárgások nem okoznak géphibát, és elkerülhetők a folyékony mosószer típusának megváltoztatásával vagy tabletták használatával.

A szabályzatok, a szabványos dokumentáció, a tartalékalkatrészek rendelése és a termékkel kapcsolatos további információk az alábbi elérhetőségeken találhatóak:

- A terméken lévő QR kód használata.
  - Látogasson el a [docs.whirlpool.eu/docs](https://docs.whirlpool.eu/docs) és [parts-selfservice.europeanappliances.com](https://parts-selfservice.europeanappliances.com) weboldalra
  - Vagy vegye fel a kapcsolatot a vevőszolgálattal (a telefonszámot lásd a garanciafüzetben).
- Amennyiben a vevőszolgálathoz fordul, kérjük, adja meg a termék adattábláján feltüntetett kódokat.

A modell adataihoz olvassa be az energiafogyasztást jelölő címkén található QR-kódot. A címkén található modellazonosító segítségével használható a regisztrációs portál <https://eprel.ec.europa.eu>.

©/TM/ © 2024 Whirlpool. Licenc alapján készült.



# KASDIENIO NAUDOJIMO VADOVAS



**DĖKOJAME, KAD ĮSIGIJOTE WHIRLPOOL GAMINĮ.**

Kad galėtumėte tinkamai pasinaudoti pagalba, užregistruokite savo prietaisą svetainėje: [www.whirlpool.eu/register](http://www.whirlpool.eu/register).

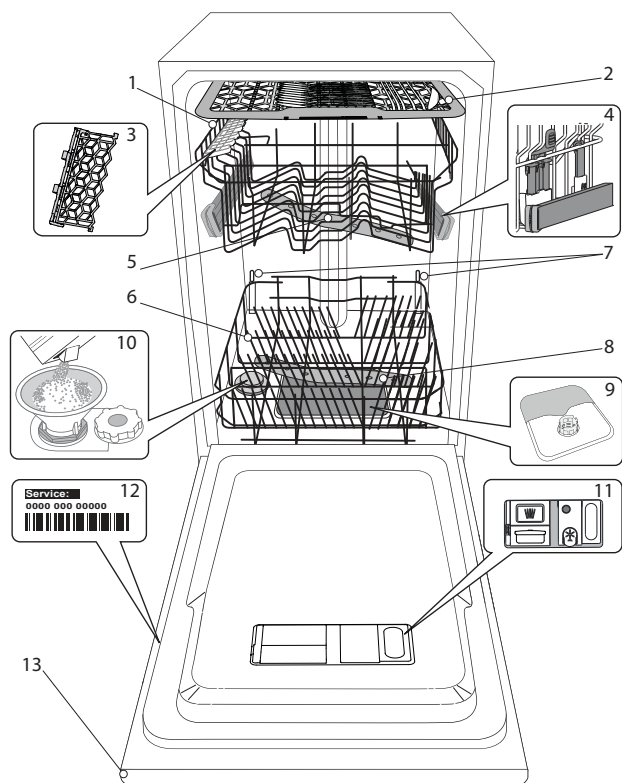
**JEI REIKIA DAUGIAU IŠSAMIOS INFORMACIJOS, NUSKAITYKITE ANT PRIETAISO PATEIKTĄ QR KODĄ**



**⚠️ Prieš naudodamiesi įranga atidžiai perskaitykite Saugos Instrukcijas.**

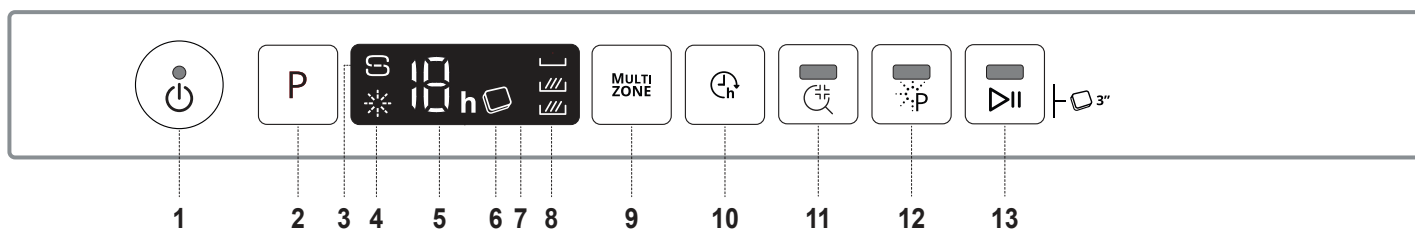
## GAMINIO APRAŠYMAS

### PRIETAISAS



1. Viršutinė lentynėlė
2. Įrankių lentynėlė
3. Užlenkiami skydeliai
4. Viršutinės lentynėlės aukščio reguliatorius
5. Viršutinė purkštuko alkūnė
6. Apatinė lentynėlė
7. Power Clean® atrama
8. Apatinė purkštuko alkūnė
9. Filtrų blokas
10. Druskos talpykla
11. Ploviklio ir skalavimo skysčio dozatorius
12. Duomenų plokštelė
13. Valdymo skydelis

### VALDYMO SKYDELIS



1. Įjungimo / Išjungimo / nustatymo iš naujo mygtukas su indikatoriaus lempute
2. Programos pasirinkimo mygtukas
3. Druskos papildymo indikatoriaus lemputė
4. Skalavimo skysčio papildymo indikatoriaus lemputė
5. Programos numeris ir delsos laiko indikatorius
6. Tabletės indikatoriaus lemputė
7. Ekranas
8. „Multizone“ indikatoriaus lemputė
9. „Multizone“ mygtukas
10. Atidėjimo mygtukas
11. „Sanitarinis Skalavimas“ mygtukas su indikatoriaus lempute
12. „Power Clean®“ mygtukas su indikatoriaus lempute
13. Paleidimo/pauzės mygtukas su indikatoriaus lempute/ Tabletės

# NAUDOJIMAS PIRMĄ KARTĄ DRUSKA, SKALAVIMO SKYSTIS IR PLOVIKLIS

## PATARIMAI NAUDOJANT PRIETAISĄ PIRMĄ KARTĄ

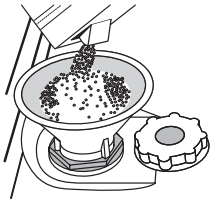
Sumontavę prietaisą išimkite stabdiklius iš lentynėlių ir elastingus tvirtinamuosius elementus iš viršutinės lentynėlės.

## DRUSKOS TALPYKLOS PAPILDYMAS

Naudojant druską ant indų ir prietaiso funkcinių dalių nesikaupia kalkių nuosėdos.

- Būtina užtikrinti, kad **DRUSKOS TALPYKLA NEBŪTŲ TUŠČIA**.
- Labai svarbu, kad nustatytumėte vandens kietumą.

Druskos talpykla yra apatinėje indaplovės dalyje (žr. *GAMINIO APRAŠYMAS*) ir ją reikia užpildyti, kai valdymo skydelyje užsidega **DRUSKOS PAPILDYMO indikatorius lemputė** .



1. Išimkite apatinę lentynėlę ir atsukite talpyklos dangtelį (sukite prieš laikrodžio rodyklę).
2. **Tik atliekant pirmą kartą: pripildykite druskos talpyklą su vandeniu.**
3. Įstatykite piltuvėlį (žr. paveikslėlį) ir pripildykite druskos talpyklą iki pat jos kraštų (apie 1 kg); gali būti, kad ištekęs šiek tiek vandens.
4. Išimkite piltuvėlį ir nušluostykite druskos likučius nuo angos.

Dangtelį būtina gerai užsukti, kad veikiant plovimo programai į talpyklą nepatektų ploviklis (tai gali nepataisomai sugadinti vandens minkštinimo įtaisą).

**Kiekvieną kartą, kai reikia pridėti druskos, procedūrą būtina atlikti prieš pradėdamas plovimo ciklą, kad išvengtumėte korozijos.**

## VANDENS KIETUMO NUSTATYMAS

Kad vandens minkštinimo įtaisas veiktų tinkamai, labai svarbu, kad vandens kietumas būtų nustatytas pagal tikrąjį vandens kietumą jūsų namuose. Šią informaciją galite gauti iš vietinio vandens tiekėjo. Gamykloje nustatoma numatytoji vandens kietumo reikšmė.

- Paspausdami **Įjungimo / Išjungimo** mygtuką prietaisą įjunkite.
- Paspausdami **Įjungimo / Išjungimo** mygtuką prietaisą išjunkite.
- Paspauskite ir 5 sek. palaikykite **P** mygtuką, kol pasigirs signalas.
- Paspausdami **Įjungimo / Išjungimo** mygtuką prietaisą įjunkite.
- Pradės mirksėti šiuo metu pasirinkto lygio numeris ir druskos indikatorius lemputė.
- Paspausdami mygtuką **P** pasirinkite reikiamą kietumo lygį (žr. *VANDENS KIETUMO LENTELĘ*).

Vandens kietumo lentelė				
Lygis	°dH Vokiškieji laipsniai	°fH Prancūziškieji laipsniai	°Clark Angliški laipsniai	
1	Minkštas	0 - 6	0 - 10	0 - 7
2	Vidutinis	7 - 11	11 - 20	8 - 14
3	Vidurkis	12 - 16	21 - 29	15 - 20
4	Kietas	17 - 34	30 - 60	21 - 42
5	Labai kietas	35 - 50	61 - 90	43 - 62

- Paspausdami **Įjungimo / Išjungimo** mygtuką prietaisą išjunkite.

Nustatymas baigtas!

Atlikę šiuos veiksmus paleiskite programą palikdami prietaisą tuščią.


**Naudokite tik specialiai indaplovėms skirtą druską.**

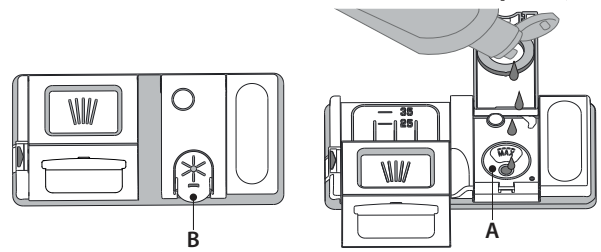
Kai visą druską supilsite į prietaisą, **DRUSKOS PAPILDYMO indikatorius lemputė** užges.

**Jei nebus pripildyta druskos talpykla, dėl susikaupusių kalkių apnašų gali būti pažeistas vandens minkštinimo ir kaitinimo elementas.**

Druską rekomenduojame naudoti karu su indaplovėms skirtomis plovimo priemonėmis.

## SKALAVIMO SKYSČIO DOZATORIAUS PILDYMAS

Skalavimo skystis padeda lengviau išdžiovinti indus. Skalavimo skystio dozatorių **A** reikėtų pripildyti, kai valdymo skydelyje užsidega **SKALAVIMO SKYSČIO PAPILDYMO indikatorius lemputė** .



1. Paspausdami ir patraukdami aukštyn dangtelio fiksatorių atidarykite dozatorių **B**.
2. Atsargiai įpilkite skalavimo skystį iki maksimalaus lygio žymos (110 ml) – nepripildykite per daug. Jei taip kartais nutiktų, iškart nuvalykite išspylusį skystį sausa šluoste.
3. Uždarydami paspauskite dangtelį, kad pasigirstų spragtelėjimas.

**Skalavimo skystio NIEKADA nepilkite tiesiai į indaplovę.**

## SKALAVIMO SKYSČIO DOZAVIMO REGULIAVIMAS

Jei nesate visiškai patenkinti džiovimo rezultatais, galite pareguliuoti naudojamo skalavimo skystio kiekį.

- Paspausdami **Įjungimo / Išjungimo** mygtuką indaplovę įjunkite.
- Paspausdami **Įjungimo / Išjungimo** mygtuką ją išjunkite.
- Triskart paspauskite mygtuką **P** – pasigirs signalas.
- Paspausdami **Įjungimo / Išjungimo** mygtuką ją įjunkite.
- Pradės mirksėti šiuo metu pasirinkto lygio numeris ir skalavimo skystio indikatorius lemputė.
- Paspausdami mygtuką **P** pasirinkite skalavimo skystio kiekį.
- Paspausdami **Įjungimo / Išjungimo** mygtuką ją išjunkite.

Nustatymas baigtas!

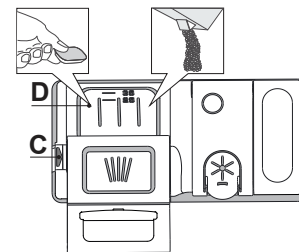
Jei skalavimo skystio lygį nustatysite kaip **NULIS (EKO)**, skalavimo skystis nebus naudojamas. Pasibaigus skalavimo skystiui **ŽEMO SKALAVIMO SKYSČIO LYGIO indikatorius lemputė** neužsidegs.

Atsižvelgiant į naudojamos indaplovės modelį galima nustatyti iki 5 lygių. Gamyklinis nustatymas yra pritaikytas kiekvienam modeliui, vykdydami aukščiau pateiktus nurodymus, patikrinkite ar jis skirtas jūsų mašinai.

- Jei ant indų matote melsvus dryžius, nustatykite žemesnį skaičių (1-2).
- Jei ant indų matote vandens lašelius arba kalkių nuosėdų žymes, nustatykite didesnį skaičių (3-4).

## PLOVIKLIO DOZATORIAUS PILDYMAS

**Jei norite atidaryti ploviklio dozatorių, naudokite atidarymo įtaisą C. Ploviklio pilkite tik į sausą dozatorių D. Parengiamojo plovimo ploviklio kiekį įdėkite tiesiai į indaplovę.**



1. Matuodami ploviklio kiekį vadovaukitės anksčiau pateikta informacija, kad įdėtumėte tinkamą jo kiekį. Dozatoriaus **D** viduje yra žymos, kurios padės pasirinkti tinkamą ploviklio kiekį.
2. Pašalinkite ploviklio likučius iš dozatoriaus kampanį, tada uždarykite dangtelį taip, kad jis spragtelėtų.
3. Traukdami aukštyn, kol uždarymo įtaisas užsifiksuoja vietoje, uždarykite ploviklio dozatoriaus dangtelį.

Ploviklio dozatorių automatiškai atsidarys reikiamu metu vykdamas programą.

Jei naudojami universalūs plovikliai, rekomenduojame paspausti mygtuką **TABLETĖS**, nes juo programa sureguliuojama taip, kad visada būtų pasiekti geriausi plovimo ir džiovavimo rezultatai.

**Naudojant ne indaplovėms skirtą skalavimo priemonę įrenginys gali netinkamai veikti arba sugesti.**

# PROGRAMŲ LENTELĖ

Programa	Džiovinimo etapas	NaturalDry	Galimos parinktys *)	Plovimo programos trukmė (h:min)**	Vandens sąnaudos (litrai ciklui)	Energijos sąnaudos (kWh/ ciklui)
1. Ekonominė Eco 50°	✓	✓		3:40	9,0	0,67
2. 6 <sup>th</sup> Sense® 50-60°	✓	✓		1:20 - 3:00	7,0 - 14,0	0,70 - 1,10
3. Intensyvi	✓	✓		2:45	17,5	1,60
4. Greitas plovimas ir džiovinimas	✓	✓		1:25	11,5	1,10
5. Krištolas	✓	✓		1:40	12,0	1,20
6. Spartus 30'	-	✓		0:30	9,0	0,50
7. Parengiamasis plovimas	-	-		0:10	4,5	0,01
8. Savaiminio valymo	-	-		0:50	8,0	0,85

Ekonominės programos duomenys yra apskaičiuoti laboratorijos sąlygomis vadovaujantis Europos standarto EN 60436:2020 reikalavimais.

Pastaba bandymų laboratorijoms: dėl informacijos apie lyginamuosius Europos standartus rašykite adresu: [dw\\_test\\_support@europeanappliances.com](mailto:dw_test_support@europeanappliances.com)

Pirminis lėkščių apdorojimas nereikalingas prieš visas programas.

\*) Vienu metu galima naudoti ne visas parinktis.

\*\*) Reikšmės, pateikiamos kitoms programoms nei („Eco“), yra tik rekomendacinio pobūdžio. Tikrasis laikas gali keistis dėl daugelio veiksnių, pvz., tiekiamo vandens temperatūros ir slėgio, patalpos temperatūros, ploviklio kiekio, įkrovos kiekio ir tipo, įkrovos paskirstymo, papildomai pasirinktų parinkčių ir jutiklio kalibravimo. Dėl jutiklio kalibravimo programos trukmė gali pailgėti iki 20 min.

## PROGRAMŲ APRAŠYMAS

### Plovimo ciklo pasirinkimo nurodymai.

#### 1 EKONOMINĖ

Ekonomiška programa („Eco“) tinka įprastai užterštiems stalo indams plauti iškart po naudojimo, tai efektyviausia programa pagal bendras energijos ir vandens sąnaudas, ji naudojama, kad būtų tenkinamos ES ekologinio projektavimo nuostatos.

#### 2 6<sup>th</sup> SENSE®

Įprastai nešvariems indams, ant kurių yra pridžiuvusių maisto likučių. Nustatomas indų nešvarumo lygis ir atitinkamai sureguliuojama programa. Kai jutiklis nustato nešvarumo lygį, ekrane parodoma animacija ir ciklo trukmė pakoreguojama.

#### 3 INTENSYVI

Programą rekomenduojama naudoti labai nešvariems indams, ypač keptuvėms ir prikaistuviams (nenaudoti jautriems indams).

#### 4 GREITAS PLOVIMAS IR DŽIOVINIMAS

Įprastai nešvarūs indai. Kasdienis ciklas, užtikrinantis optimalią švarą ir džiovinimą per trumpesnę laiką.

#### 5 KRIŠTOLAS

Programa, skirta jautriems indams, kurie jautriau reaguoja į aukštą temperatūrą, pvz., stiklinės, taurės ir puodeliai.

#### 6 SPARTUS 30'

Programą rekomenduojama naudoti mažai užterštų indų, prie kurių nėra pridžiuvusių maisto likučių, pusinei įkrovai. Neturi džiovinimo fazės.

#### 7 PARENGIAMASIS PLOVIMAS

Naudokite indams, kurie bus plaunami vėliau, paruošti. Šiai programai nenaudojama jokio ploviklio.

#### 8 SAVAIMINIO VALYMO

Programa, skirta naudoti indaplovės priežiūrai, turi būti vykdoma tik kai indaplovė yra TUŠČIA, naudojant specialias plovimo priemones, skirtas indaplovės priežiūrai.

#### Pastabos.

Atkreipkite dėmesį, kad greito plovimo ciklas *Spartus 30'* skirtas tik šiek tiek nešvariems indams.

# PARINKTYS IR FUNKCIJOS

PARINKTIS galima pasirinkti tiesiogiai paspaudus atitinkamą mygtuką (žr. PRIETAISŲ SKYDELĮ).

**Jei parinktis negali būti naudojama su pasirinkta programa žr. PROGRAMŲ LENTELĘ, greitai 3 kartus sumirksės atitinkama LED lemputė ir pasigirs signalas. Parinktis nebus įjungta.**

## MULTI ZONE MULTIZONE

Jei neturite daug indų, kuriuos reikia išplauti, galite naudoti pusinės įkrovos programą – taip sutaupysite vandens, elektros ir ploviklio.

Pasirinkite programą, tada paspauskite mygtuką MULTIZONE: ekrane pasirodys pasirinktos lentynėlės simbolis. Pagal numatytuosius nustatymus prietaisas indus plauna visose lentynėlose.

Jei norite indus plauti tik tam tikroje lentynėlose, spaudinėkite šį mygtuką:



rodoma ekrane (tik apatinė lentynėlė)



rodoma ekrane (tik viršutinė lentynėlė)



rodoma ekrane (tik įrankių lentynėlė)



rodoma ekrane (parinktis išjungta, o prietaisas plaus indus visose lentynėlose).

**Kad atitinkamai sumažintumėte naudojamo ploviklio kiekį, būtinai indus sudėkite į viršutinę arba apatinę lentynėlę. Jei viršutinė lentynėlė nuimta, plovimo priemonę pilkite tiesiai į talpyklą, o ne į plovimo priemonės dozatorių.**

## ATIDĖJIMAS

Programos paleidimą galima atidėti pasirinktam laikui nuo 1 iki 12 val.

1. Paspauskite ATIDĖJIMO mygtuką: ekrane pasirodys atitinkamas «h» simbolis; kaskart paspaudus mygtuką bus didinamas laikas (1h, 2h ir t. t. didės iki 12h) nuo pasirinkto plovimo ciklo pradžios.
2. Pasirinkite plovimo programą, paspauskite paleidimo/pauzėsmygtuką ir per 4 sekundes uždarykite dureles. laikmatis pradės skaičiuoti laiką atgaline eiga.
3. Šiam laikui pasibaigus indikatorius lemputė «h» užgesa ir prasideda plovimo ciklas.

Jei norite pakeisti atidėjimo laiką ir pasirinkti trumpesni laikotarpį, paspauskite ATIDĖJIMO mygtuką. Jei norite atšaukti, spaudinėkite mygtuką, kol pasirinkto paleidimo atidėjimo indikatorius lempute «h» užges.

**Atidėjimo funkcijos negalima įjungti, kai plovimo ciklas paleidžiamas.**

## SANITARINIS SKALAVIMAS

Ši parinktis gali būti naudojama išplautiems indams dezinfekuoti. Ją pasirinkus galutinio skalavimo metu padidinama temperatūra, o prie pasirinktos programos pridedamas antibakterinis plovimas.

Pasirinkite plovimo programą, tada paspauskite SANITARINIS SKALAVIMAS mygtuką; užsidegs indikatorius lemputė. Jei norite panaikinti šios parinktį pasirinkimą, paspauskite mygtuką dar kartą. Puikiai tinka indams ir maitinimo buteliukams plauti. Indaplovės durelės turi būti uždarytos per visą programos vykdymo laiką, taip bus užtikrintas bakterijų sunaikinimas. Jeigu durelės atidarytos, indikatorius lemputė pradeda blyksėti.

**PERSPĖJIMAS. Pasibaigus ciklui indai ir lėkštės gali būti labai karšti.**



## POWER CLEAN®

Dėl papildomų vandens purkštukų šioje srityje ši programa intensyviau plauna apatinėje lentynėlose konkrečioje vietoje sudėtus indus. Šią parinktį rekomenduojama naudoti plauant puodus ir troškintuvus. Norėdami įjungti „POWER CLEAN“, paspauskite šį mygtuką (užsidegs indikatorius).

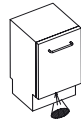


## TABLETĖ

Šis nustatymas leidžia optimaliai sureguliuoti programą pagal naudojamo ploviklio tipą.

Jei naudojate universalius ploviklius tabletemis (kurių 1 dozėje sklavimo skystis, druska ir ploviklis), paspauskite ir 3 sek. palaikykite paleidimo / pauzės mygtuką (užsidegs atitinkamas simbolis).

**Jei naudojate miltelinį ar skystą ploviklį, šią parinktį reikia išjungti.**



## VEIKIMO INDIKATORIUS

LED indikatorius projekcija ant grindų nurodo, kad indaplovė veikia. Galima pasirinkti vieną iš šių veikimo režimų:

- a) Funkcija išjungta.
- b) Ciklui prasidėjus lemputė kelioms sekundėms užsidega, tada nešviečia per visą ciklą ir mirksi ciklo pabaigoje (numatytasis režimas).
- c) Lemputė šviečia ciklo metu ir pradeda mirksėti jo pabaigoje (numatytasis režimas).

Jei nustatomas paleidimo atidėjimas, lemputė užsidega per pirmąsias kelias sekundes arba šviečia visą laiką, kol laikas skaičiuojamas atgaline eiga (priklauso nuo to, ar pasirinktas b) arba c) režimas.

Lemputė užgesa kaskart atidarius dureles. Jei norite pasirinkti reikiamą režimą, įjunkite prietaisą, paspauskite mygtuką P ir palaikykite, kol ekrane pasirodys viena iš trijų raidžių, spaudinėkite mygtuką P, kol pasieksite reikiamą raidę (arba režimą), tada patvirtinkite pasirinkimą paspausdami ir palaikydami mygtuką P.

**Pastaba. Jei NaturalDry (durelių atidarymo sistema) yra aktyvi ir atidaro dureles, ciklo pabaigoje veikimo indikatorius nemirksės.**

## NaturalDry

NaturalDry yra patogus džiovinimo sistema, kuri automatiškai atidaro dureles džiovinimo fazės metu ar po jos, kad visada būtų užtikrinami puikūs džiovinimo rezultatai. Durelės atidaro, kai temperatūra yra saugi jūsų virtuvės baldams, todėl durelės nebus atidaromos, jei naudojama SANITARINIS SKALAVIMAS parinktis.

Kaip papildoma apsauga nuo garų kartu su indaplove pridedama speciali apsauginė plėvelė. Kaip sumontuoti apsauginę plėvelę, žiūrėkite ĮRENGIMO VADOVĄ.

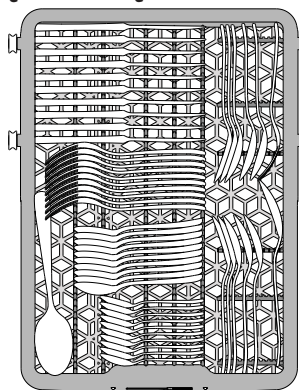
NaturalDry funkciją naudotojas gali išjungti tokiu būdu:

1. Eikite į indaplovės programinės įrangos meniu paspaudę ir laikydami mygtuką P (6 sekundes).
2. Dabar jūs esate šviesų valdymo meniu (žiūrėkite VEIKIMO INDIKATORIŲ aprašymą), jei nenorite nieko keisti, paspauskite ir palaikykite mygtuką P (kol ekrane pasirodys viena iš dviejų raidžių).
3. Jūs persijungėte į NaturalDry valdymo meniu, kuriame galite pakeisti NaturalDry veikimo būseną spausdami mygtuką P:  
**E** – įjungtas    **d** – išjungtas

Kad patvirtintumėte keitimus ir išeitumėte iš valdymo meniu, paspauskite ir palaikykite mygtuką P (3 sekundes).

# DĖJIMAS Į LENTYNĖLES

## ĮRANKIŲ LENTYNĖLĖ

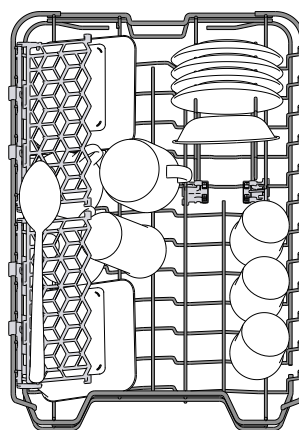


Trečioji lentynėlė skirta specialiai įrankiams sudėti. Įrankius sudėkite taip, kaip parodyta paveikslėlyje.

Įrankius sudėjus atskirame skyriuje lengviau juos surinkti baigus plauti, be to, pagerinami plovimo ir džiovavimo rezultatai.

**Peilius ir kitus aštrius įrankius būtinai dėkite ašmenimis žemyn.**

## VIRŠUTINĖ LENTYNĖLĖ



Sudėkite jautrius ir lengvus indus: stiklines, puodelius, lėkšteles, žemas salotines.

Viršutinėje lentynėlėje yra pakeliamas atramos, kurias galima naudoti vertikalioje padėtyje, kai reikia sudėti puodelius / deserto lėkšteles, arba nuleisti, kad būtų galima sudėti dubenėlius ir maisto indelius.

(indų dėjimo viršutinėje lentynėlėje pavyzdys)

## VIRŠUTINĖS LENTYNĖLĖS AUKŠČIO REGULIAVIMAS

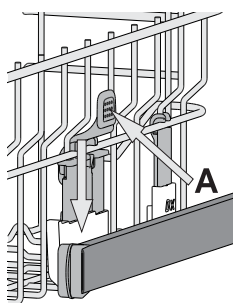
Viršutinės lentynėlės aukštį galima reguliuoti: viršutinė padėtis yra skirta dideliems indams apatiniame krepšyje sudėti, o apatinė – kad išnaudotumėte visas atlenkiamas atramas ir sukurtumėte daugiau vietos viršuje, o apatinėje lentynėlėje sudėti daiktai nesiliestų.

Viršutinėje lentynėlėje yra įrengtas **aukščio reguliatorius** (žr. pav.), nespausdami svirčių kelkite ją aukštyn tiesiog laikydami už lentynėlės kraštų, kol ji stabiliai užsifiksuos viršutinėje padėtyje.

Jei lentynėlę vėl norite nuleisti, paspauskite svirtis **A** lentynėlės šonuose ir nuleiskite krepšį žemyn.

**Prilygtinai rekomenduojame lentynėlės aukščio nereguliuoti, kai ji pilna.**

**NIEKADA nebandykite lentynėlės nuleisti ar pakelti tik vienoje pusėje.**



## REGULIUOJAMOS PADĖTIES UŽLENKIAMI SKYDELIAI

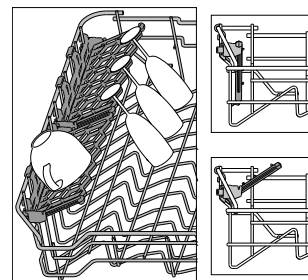
Šoninius užlenkiamus skydelius galima užlenkti ar atlenkti, kad optimizuotumėte indų išdėstymą krepšyje.

Vyno taures galima saugiai dėti į užlenkiamus skydelius – tiesiog kiekvienos taurės kojelę įstatykite į atitinkamą angą.

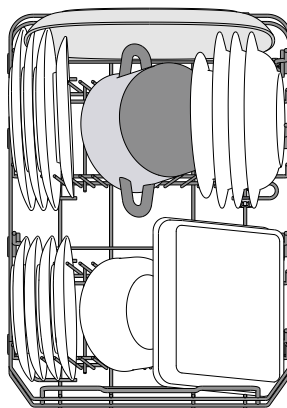
Priklausomai nuo modelio:

– Norint atlenkti skydelį, reikės jį pastumti aukštyn ir pasukti arba atlaisvinti laikiklius ir truktelėti žemyn.

– Norint užlenkti skydelį, reikės jį pasukti ir nulenkinti skydelius žemyn arba truktelėti aukštyn ir pritvirtinti skydelius prie laikiklių.



## APATINĖ LENTYNĖLĖ



Puodams, dangčiams, lėkštėms, salotinėms, įrankiams ir pan. Dideles lėkštes ir dangčius geriausia dėti kraštuose, kad jie netrukdytų mentėms su purkštukais.

Apatinėje lentynėlėje yra pakeliamas atramos, kurias galima naudoti vertikalioje padėtyje, kai reikia sudėti lėkštes, arba horizontalioje padėtyje, kad būtų galima sudėti keptuves ir salotines.

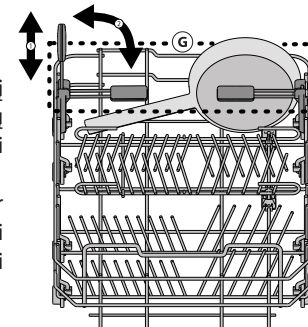
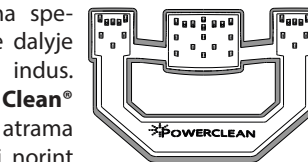
## „POWER CLEAN“ APATINĖJE LENTYNĖLĖJE

„Power Clean“ funkcija pasitelkdama specialias vandens sroves angos galinėje dalyje intensyviau plauna stipriai nešvarius indus. Apatinėje lentynėlėje yra „Power Clean“ palaikymas, speciali ištraukiama atrama lentynėlės gale, kurią galima naudoti norint paremti keptuves ar kepimo skardas ir išlaikyti jas stačias, kad jos užimtų mažiau vietos.

Jei puodus / troškintuvus įdėsite nukreipę į „Power Clean“, skydelyje įjunkite funkciją **POWER CLEAN**.

Kaip naudoti „Power Clean“:

1. Sureguliuokite „Power Clean“ sritį (G) – nulenkite galinius lėkščių laikiklius, kad galėtumėte sudėti puodus.
2. Puodus ir troškintuvus „Power Clean“ srityje sudėkite vertikaliai šiek tiek pakreipdami. Puodai turi būti atsukti link vandens purkštukų.



# KASDIENIS NAUDOJIMAS

- PATIKRINKITE PRIJUNGIMĄ PRIE VANDENTIEKIO**  
Patikrinkite, ar indaplovė prijungta prie vandentiekio sistemos ir atidarytas čiaupas.
- IJUNKITE INDAPLOVĘ**  
Atidarykite dureles ir paspauskite **Ijungimo / Išjungimo** mygtuką.
- SUDĖKITE INDUS Į LENTYNĖLES** (žr. *DĖJIMAS Į LENTYNĖLES*)
- PLOVIKLIO DOZATORIAUS PILDYMAS**
- PASIRINKITE PROGRAMĄ IR PRITAIKYKITE CIKLĄ**  
Pagal indų tipą ir jų nešvarumo lygį (žr. *PROGRAMŲ APRAŠYMA*) spausdami mygtuką **P** pasirinkite tinkamą programą. Pasirinkite reikiamas parinktis (žr. *PARINKTYS IR FUNKCIJOS*).
- PALEISKITE**  
Paleiskite plovimo ciklą spausdami **paleidimo / pauzės** mygtuką (LED ims šviesti) ir per 4 sekundes uždarydami durelės. Kai programa pasileis, išgirsite vieną pyptelėjimą. Jeigu durelės nebūs uždarytos per 4 sekundes, pasigirs įspėjamasis signalas. Tokiu atveju atidarykite dureles, paspauskite **paleidimo / pauzės** mygtuką ir vėl uždarykite dureles per 4 sekundes.
- PLOVIMO CIKLO PABAIGA**  
Apie pasibaigusį plovimo ciklą praneša pyptelėjimo signalas ir ekrane mirksintis plovimo ciklo numeris. Atidarykite dureles ir išjunkite įrenginį spausdami **Ijungimo / Išjungimo** mygtuką. Prieš išimdami indus palaukite kelias minutes, kad nenusidegintumėte. Išimkite indus iš lentynėlių pradėdami nuo apatinės.

Po tam tikro neaktyvumo laiko prietaisas išsijungs automatiškai, kad būtų sumažintos elektros energijos sąnaudos. Jei indai sutepti tik šiek tiek arba jei juos nuskalavote vandeniu prieš dėdami į indaplovę, atitinkamai sumažinkite naudojamą ploviklio kiekį.

## VEIKIANČIOS PROGRAMOS KOREGAVIMAS

Jei pasirinkote netinkamą programą, ją galima pakeisti, jei ji ką tik prasidėjo: atidarykite dureles, paspauskite ir palaikykite **Ijungimo / Išjungimo** mygtuką, kad išjungtumėte įrenginį. Įrenginį vėl įjunkite spausdami **Ijungimo / Išjungimo** mygtuką ir pasirinkite naują plovimo ciklą ir reikiamas parinktis; paleiskite ciklą spausdami **paleidimo / pauzės** mygtuką ir per 4 sekundes uždarydami dureles.

## PAPILDOMŲ INDŲ ĮDĖJIMAS

Neišjungdami įrenginio atidarykite dureles (**paleidimo / pauzės** LED ims mirksėti) (**saugokitės KARŠTŲ GARŲ!**) ir sudėkite indus į indaplovę. Paspauskite **paleidimo / pauzės** mygtuką ir per 4 sekundes uždarykite dureles, ciklas bus tęsiamas nuo tada, kai buvo pertrauktas.

## ATSITIKTINIAI CIKLO PERTRAUKIMAI

Jei plovimo ciklo metu atidarysite dureles arba nutrūks elektros tiekimas, ciklas bus sustabdytas. Jei ciklą norite tęsti nuo jo pertraukimo vietos, paspauskite **paleidimo / pauzės** mygtuką ir per 4 sekundes uždarykite dureles.

# PATARIMAI IR REKOMENDACIJOS

## PATARIMAI

Prieš dėdami į krepšius nuo indų pašalinkite visus maisto likučius, o stiklines išpilkite. Skalauti po tekančiu vandeniu nereikia. Indus sudėkite taip, kad jie tvirtai laikytųsi vietoje ir neapvirštų; indus sudėkite angomis žemyn, o įgaubtas / išgaubtas dalis – įstrižai, taip vanduo pasieks visus paviršius ir galės laisvai tekėti. Perspėjimas: dangteliai, rankenėlės, padėklai ir kepimo skardos netrukdo mentėms su purkštukais sukėti. Visus smulkius daiktus sudėkite į įrankių krepšį. Stipriai nešvarius indus ir keptuves dėkite į apatinį krepšį, nes šiame skyriuje vandens srovė yra stipresnė, todėl plaunama intensyviau. Sukrovę indus į prietaisą įsitinkinkite, ar laisvai sukasi mentės su purkštukais.

## NETINKAMI INDAI

- Mediniai indai ir įrankiai.
  - Jautrios dekoruotos stiklinės, meno dirbiniai ir antikvariniai indai. Šių indų papuošimai nėra atsparūs.
  - Dalys iš sintetinių medžiagų nėra atsparios aukštai temperatūrai.
  - Variniai ir alumininiai indai.
  - Indai sutepti pelenais, vašku, tepalu ar rašalu.
- Plaunant stiklinių indų spalvoti papuošimai ir aliumininės / sidabro detalės gali pakeisti spalvą ir išblukti. Be to, po kelių plovimo ciklų tam tikrų tipų stiklo (pvz., krištolo) indai gali tapti matiniais.

## STIKLO IR INDŲ PAŽEIDIMAI

- Naudokite tik stiklinius ir porcelianinius indus, kurių gamintojas nurodo, jog juos saugu plauti indaplovėje.
- Naudokite švelnų ploviklį, kuris tinka indams.
- Stiklines, taures ar indus iš indaplovės išimkite kuo greičiau pasibaigus plovimo ciklui.

## PATARIMAI DĖL ENERGIJOS TAUPYMO

- Kai buitinė indaplovė naudojama pagal gamintojo instrukcijas, **plau- nant stalo indus indaplovėje paprastai sunaudojama MAŽIAU ENERGIJOS ir vandens, nei plau- nant indus rankomis.**
- Kad būtų maksimaliai išnaudojamas indaplovės efektyvumas, rekomenduojama **paleisti plovimo ciklą, kai indaplovė pilnai užkrauta.** Užkraunat buitinę indaplovę iki gamintojo nurodytos talpos, bus sutaupoma daugiau energijos ir vandens. Informacijos, kaip teisingai sudėti stalo indus, rasite skyriuje LENTYNĖLIŲ UŽPILDYMAS. Jei užkrovė tik dalinai, rekomenduojama naudoti atitinkamą plovimo parinktį, jei ji yra (pusinė įkrova / zonos plovimas / keletu zonų), užpildant tik pasirinktas lentynėles. Neteisingai sudėjus indus arba pridėjus jų per daug gali padidėti resursų sąnaudos (pavyzdžiui, vandens, energijos ir laiko, o taip pat gali padidėti triukšmo lygis), sumažėti plovimo ir džiovinimo kokybė.
- Rankiniu būdu praskalaujant indus prieš dedant į indaplovę padidėja vandens ir energijos sąnaudos, todėl tai nerekomenduojama.

## HIGIENA

Kad išvengtumėte kvapų ir indaplovėje susikaupusių nešvarumų, **bent kartą per mėnesį paleiskite aukštos temperatūros programą.** Įdėkite šaukštelį ploviklio ir paleiskite programą be įkrovos, kad prietaisą išplautumėte.

# PRIEŽIŪRA IR TECHNINĖ PRIEŽIŪRA

## FILTRŲ BLOKO VALYMAS

Reguliariai valykite filtras, kad jie neužsiklūtų ir tinkamai ištekėtų panaudotas vanduo.

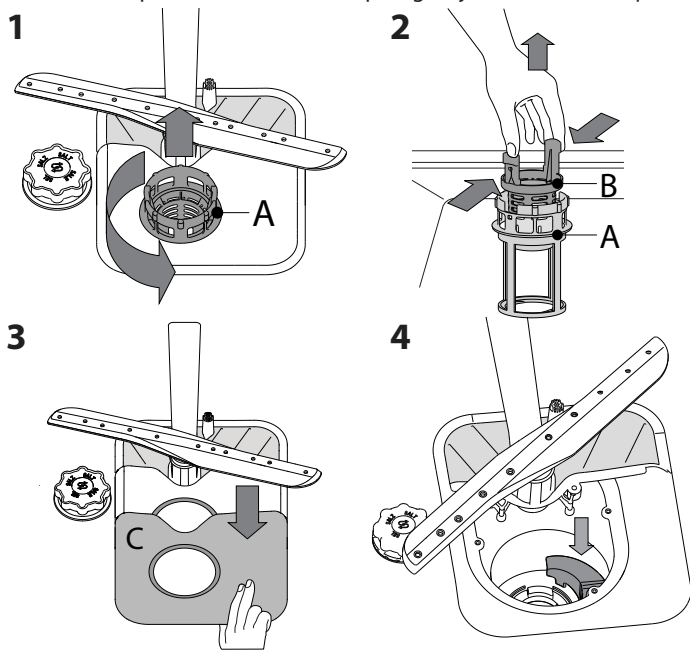
Naudojant indaplovę su užterštais filtrais arba esant svetimkūnių filtravimo sistemoje ar purkštuvuose galimas netinkamas veikimas – tai našumo sumažėjimas, triukšmingas veikimas arba didesnės resursų sąnaudos.

Filtrų bloką sudaro trys filtras, kurie iš plovimo vandens pašalina maisto likučius ir recirkuliuoja vandenį.

**Indaplovę draudžiama naudoti be filtrų arba netinkamai pritvirtintus filtras.**

Bent kartą per mėnesį arba po kiekvienų 30 ciklų patikrinkite filtrų bloką ir prireikus jį gerai išplaukite po tekančiu vandeniu naudodami nemetalinį šepetėlį ir laikydamiesi toliau pateikiamų nurodymų:

1. Pasukite cilindro formos filtrą **A** prieš laikrodžio rodyklę ir ištraukite jį (1 pav.).
2. Nuimkite filtro dangtelį **B** šiek tiek paspausdami šoninius fiksatorius (2 pav.).
3. Ištraukite nerūdijančiojo plieno plokštelės filtrą **C** (3 pav.).
4. Jei radote pašalinių objektų (pavyzdžiui stiklo ar porceliano šukių, kaulų, vaisių sėklų ir t. t.) **kruopščiai juos pašalinkite.**
5. Patikrinkite ir pašalinkite susikaupusius maisto likučius. **NIEKADA NE-NUIMKITE** plovimo ciklo siurblio apsaugos (juodos detalės) (4 pav.).



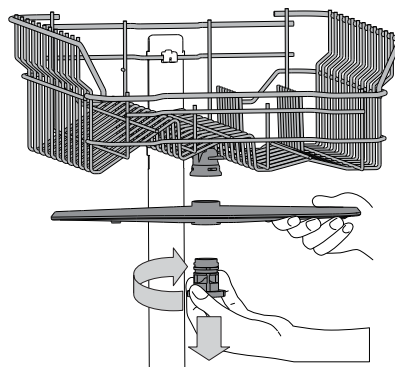
Išplovę filtras vėl įstatykite filtrų bloką ir tinkamai užfiksуйте jį vietoje. Tai labai svarbu norint užtikrinti tinkamą indaplovės veikimą.

## VANDENS ĮLEIDIMO ŽARNOS VALYMAS

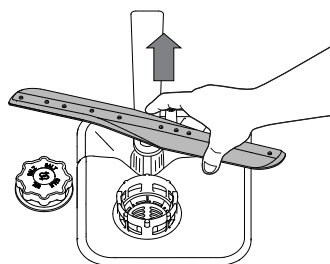
Jei vandens žarnos yra naujos arba buvo ilgai nenaudojamos, prieš prijungdami reikiamose vietose paleiskite vandenį ir patikrinkite, ar jis švarus ir jame nėra nešvarumų. Jei nesiimsite šių atsargumo priemonių, vandens įleidimo anga gali užsiklūsti, o indaplovė gali sugesti.

## PURKŠTUKŲ ALKŪNIŲ VALYMAS

Kartais maisto likučiai gali įstrigti purkštukų alkūnėse ir užkloti angas, per kurias purškiamas vanduo. Todėl rekomenduojama kartkartėmis patikrinti alkūnes ir nuvalyti jas nedideliu nemetaliniu šepetėliu.



Jei norite nuimti viršutinę purškimo rankeną, pasukite plastikinį fiksavimo žiedą laikrodžio rodyklės kryptimi. Viršutinę purkštukų alkūnę reikia įstatyti taip, kad pusė su daugiau angų būtų nukreipta aukštyn.



Apatinę purkštukų alkūnę galima nuimti patraukiant aukštyn.

## VANENS MINKŠTINIMO SISTEMA

Vandens minkštinimo įranga automatiškai sumažina vandens kietumą, taip išvengiama kalkių sancaupų ant kaitinimo elemento, pagerėja plovimo efektyvumas.

**Ši sistema savaimė atsinaujina naudodama druską, todėl ištuštėjęs druskos rezervuarui jį reikia papildyti.**

Atsinaujinimo dažnis priklauso nuo vandens kietumo lygio nustatymo – atsinaujinimas vykdomas vieną kartą per 6 „Eco“ ciklų, kai nustatytas 3 vandens kietumo lygis.

Atsinaujinimo procesas prasideda vykstant galutiniam skalavimui ir baigiasi džiovinimo fazėje, prieš ciklo pabaigą.

- Vienam atsinaujinimui sunaudojama: ~3,5 l vandens;
- Cilas užtrunka iki 5 minučių ilgiau;
- Sunaudojama mažiau nei 0,005 kWh energijos.

# TRIKČIŲ ŠALINIMAS

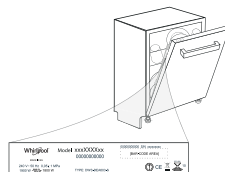
Jei jūsų indaplovė tinkamai neveikia, patikrinkite, ar problemą galima išspręsti pasinaudojus šiuo sąrašu. Esant kitoms klaidoms ar problemoms, kreipkitės į įgaliotą techninės priežiūros centrą, kurio kontaktinę informaciją galite rasti garantijos knygelėje. Atsarginių detalių bus galima įsigyti 7 arba 10 metų, atsižvelgiant į įstatymuose numatytus reikalavimus.

PROBLEMAS	GALIMOS PRIEŽASTYS	SPRENDIMAI
Šviečia druskos indikatorius	Druskos rezervuaras tuščias. (Papildžius druskos indikatoriaus lemputė gali dar švieti keletą plovimo ciklų).	Įpilkite į rezervuarą druskos (daugiau informacijos žr. 2 psl). Nustatykite vandens kietumą (žr. lentelę 2 psl.).
Šviečiam skalavimo priemonės indikatorius	Skalavimo priemonės dozatorius tuščias. (Papildžius skalavimo priemonės indikatoriaus lemputė gali dar švieti keletą plovimo ciklų).	Įpilkite į rezervuarą skalavimo skysčio (daugiau informacijos žr. 2 psl).
Indaplovė neįsijungia arba neatsako į komandas.	Prietaisas yra netinkamai prijungtas prie maitinimo. Nutrūko elektros energijos tiekimas. Neuždarytos indaplovės durelės. Neįtrauktas NaturalDry smeigtukas. Ciklą nutraukė > 4 sek. durelių atidarymas. Prietaisas neatsako į komandas. Ekране rodoma: <b>9</b> arba <b>12</b> ir įjungimo / išjungimo šviesos diodas greitai mirksi.	Įkiškite kištuką į maitinimo lizdą. Dėl saugos indaplovė nepasileidžia iš naujo automatiškai, kai atkuriamas elektros tiekimas. Atidarykite dureles, paspauskite paleidimo/pauzės mygtuką ir vėl uždarykite dureles per 4 sekundes. Stipriai pastumkite dureles, kad pasigirstų spragtelėjimas. Paspauskite paleidimo/pauzės mygtuką ir vėl uždarykite dureles per 4 sekundes. Prietaisą išjunkite paspausdami <b>įjungimo / išjungimo</b> mygtuką, maždaug po minutės vėl jį įjunkite ir iš naujo nustatykite programą. Jei problema išlieka, atjunkite įrenginį nuo tinklo, palaukite 1 minutę, tada vėl prijunkite
Indaplovė neišleidžia vandens. Ekране rodoma: <b>3</b> ir įjungimo / išjungimo šviesos diodas greitai mirksi.	Dar nesibaigė plovimo ciklas. Užlenkta išleidimo žarna. Užsikimšęs praustuvo išleidimo vamzdis. Dėl susikaupusių maisto likučių užsikimšęs filtras	Palaukite, kol baigsis plovimo ciklas. Patikrinkite, ar neužlenkta išleidimo žarna (žr. MONTAVIMO INSTRUKCIJAS). Išvalykite praustuvo išleidimo vamzdis. Išvalykite filtrą (žr. FILTRŲ BLOKO VALYMAS).
Indaplovė skleidžia didelį triukšmą.	Vienas į kitą daužosi indai. Susidarė didžiulis kiekis putų.	Indus sudėkite tinkamai (žr. DĖJIMAS Į LENTYNĖLES). Netinkamai pamatavote ploviklio kiekį arba jis netinkamas indaplovėms (žr. PLOVIKLIO DOZATORIAUS PILDYMAS). Paleiskite esamą ciklą iš naujo indaplovę išjungdami, tada vėl įjunkdami, pasirinkite naują programą, paspauskite paleidimo/pauzės mygtuką ir uždarykite dureles per 4 sekundes. Nepilkite ploviklio.
Indai nešvarūs.	Indai buvo netinkamai sudėti. Purkštukų alkūnės negali laisvai sukstis, joms trukdo indai. Plovimo ciklas per švelnus. Susidarė didžiulis kiekis putų. Netinkamai uždaryte skalavimo skysčio skyriaus dangtelį. Filtrai yra nešvarūs arba užsikimšę. Nebėra druskos.	Indus sudėkite tinkamai (žr. DĖJIMAS Į LENTYNĖLES). Indus sudėkite tinkamai (žr. DĖJIMAS Į LENTYNĖLES). Pasirinkite tinkamą plovimo ciklą (žr. PROGRAMŲ LENTELE). Netinkamai pamatavote ploviklio kiekį arba jis netinkamas indaplovėms (žr. PLOVIKLIO DOZATORIAUS PILDYMAS). Patikrinkite, ar uždarytas skalavimo skysčio dozatoriaus dangtelis. Išplaukite filtrų bloką (žr. PRIEŽIŪRA IR TECHNINĖ PRIEŽIŪRA). Pripildykite druskos talpyklą (žr. DRUSKOS TALPYKLOS PAPILDYMAS).
Indaplovė neprisipildo vandens. Ekране rodoma: <b>H</b> , <b>6</b> ir įjungimo / išjungimo šviesos diodas greitai mirksi.	Neprijungtas vandens tiekimas arba uždarytas čiaupas. Užlenkta įleidimo žarna. Užsikimšęs vandens įleidimo žarnos sietelis; jį reikia išvalyti.	Įsitikinkite, kad per vandens tiekimo žarną teka vanduo arba kad atidarytas čiaupas. Patikrinkite, ar neužlenkta įleidimo žarna (žiūrėkite ĮRENGIMAS), dar kartą pasirinkite indaplovės programą ir paleiskite iš naujo. Patikrinę ir išvalę indaplovę išjunkite ir vėl įjunkite, tada iš naujo paleiskite naują programą.
Indaplovės ciklas baigiasi per anksti. Ekране rodoma: <b>15</b> ir įjungimo / išjungimo šviesos diodas greitai mirksi.	Išleidimo žarna įrengta per žemai arba susidarė sifonas į namų kanalizacijos sistemą. Oras vandens tiekimo sistemoje.	Patikrinkite, ar išleidimo žarnos galas yra tinkamame aukštyje (žiūrėkite ĮRENGIMAS). Patikrinkite, ar nesudarė sifonas į namų kanalizacijos sistemą, jei reikia, sumontuokite oro įleidimo vožtuvą. Patikrinkite vandens tiekimo sandarumą ar kitas problemas, dėl kurių gali patekti oro.
Ploviklio nuotėkis.	Priklauso nuo naudojamo skysto ploviklio ir gali būti akcentuojamas, jei įjungta atidėjimo parinktis.	Nedidelis nuotėkėjimas nesukels mašinos gedimo ir jų galima išvengti keičiant skysto ploviklio rūšį arba naudojant tabletes.

Informaciją apie įmonės politiką, standartinę dokumentaciją, informaciją apie atsarginių dalių užsakymą ir papildomą informaciją galite rasti atlikdami toliau nurodytus veiksmus:

- Gaminio QR kodo naudojimas.
- Apsilankydami mūsų tinklalapyje [docs.whirlpool.eu/docs](https://docs.whirlpool.eu/docs) ir [parts-selfservice.europeanappliances.com](https://parts-selfservice.europeanappliances.com)
- Arba **kreipdamiesi į techninės priežiūros centrą** (žr. telefono numerius garantijos lankstinuke). Kreipiantis į techninės priežiūros centrą būtina pateikti gaminio duomenų plokštelėje nurodytus kodus.

Modelio informaciją galima gauti pasinaudojus QR kodu, pateikiamu energijos klasės etiketėje. Etiketėje yra nurodytas ir modelio identifikatorius, kuriuo galima pasinaudoti registro portale <https://eprel.ec.europa.eu>.



# LIETOŠANAS NORĀDĪJUMI

## INSTRUKCIJA



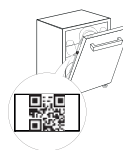
**PALDIES, KA IEGĀDĀJĀTIES WHIRLPOOL IZSTRĀDĀJUMU.**

Lai saņemtu pilnvērtīgu palīdzību, lūdzu, reģistrējiet savu ierīci vietnē: [www.whirlpool.eu/register](http://www.whirlpool.eu/register).



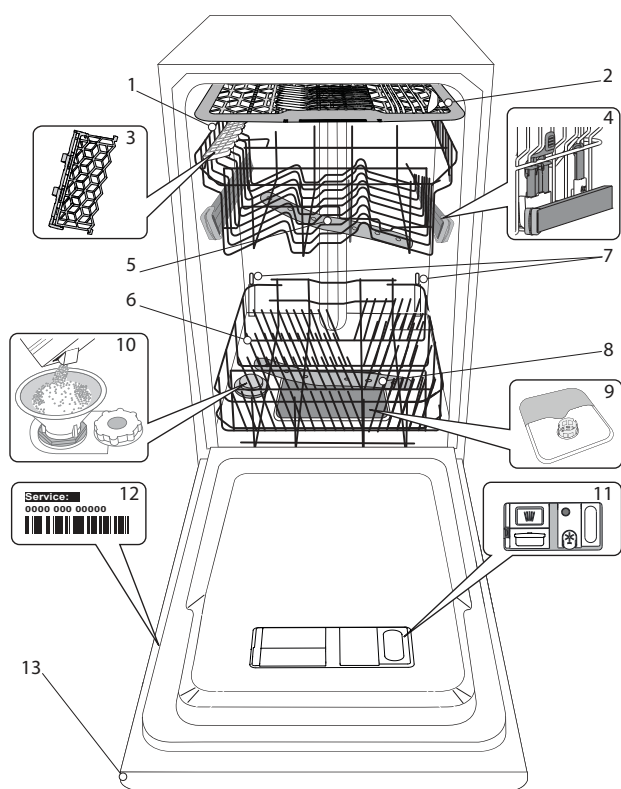
Pirms ierīces izmantošanas rūpīgi izlasiet Drošības instrukciju.

**LAI SAŅEMTU SĪKĀKU INFORMĀCIJU, LŪDZAM NOSKENĒT UZ JŪSU IERĪCES ESOŠO QR.**



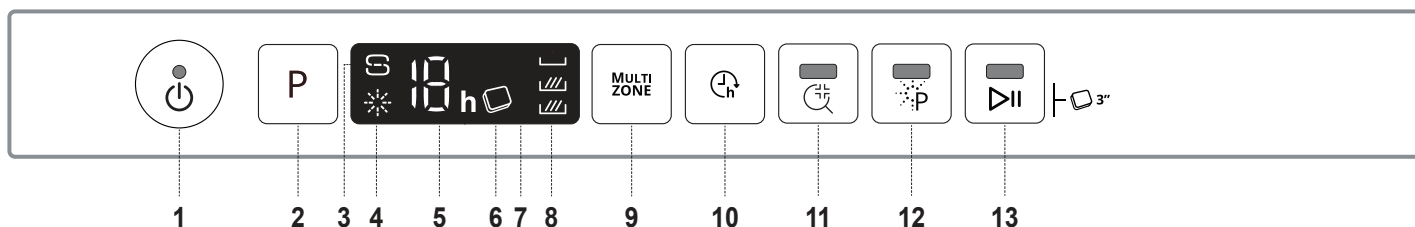
## IZSTRĀDĀJUMA APRAKSTS

### IERĪCE



1. Augšējais statīvs
2. Piederumu statīvs
3. Pielāgojamie atloki
4. Augšējā statīva augstuma regulators
5. Augšējā smidzināšanas svira
6. Apakšējais statīvs
7. Atbalsts Power Clean®
8. Apakšējā smidzināšanas svira
9. Filtru komplekts
10. Sāls tvertne
11. Mazgāšanas un skalošanas līdzekļa dozators
12. Datu plāksnīte
13. Vadības panelis

### VADĪBAS PANELIS



1. Ieslēgšanas-izslēgšanas/atiestatīšanas poga ar indikatora gaismiņu
2. Programmas izvēles poga
3. Sāls uzpildes indikatora gaismiņa
4. Skalošanas līdzekļa uzpildes indikatora gaismiņa
5. Programmas numura un aizkaves laika indikators
6. Tabletes (Tab) indikatora gaismiņa
7. Displejs
8. Multizone funkcijas indikatora gaismiņa
9. Multizone poga
10. Aizkaves poga
11. Sanitārās skalošanas funkcija poga ar indikatora gaismiņu
12. Power Clean® poga ar indikatora gaismiņu
13. Sākt/Pauze poga ar indikatora gaismiņu/ Tablete (Tab)

# PIRMĀ LIETOŠANAS REIZE

## SĀLS, SKALOŠANAS LĪDZEKLIS UN MAZGĀŠANAS LĪDZEKLIS


### IETEIKUMI PIRMAJAI LIETOŠANAS REIZEI

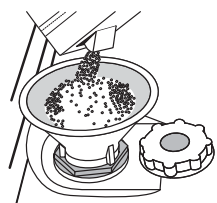
Pēc montāžas izņemiet statīvu bloķētājus un augšējā statīva elastīgos elementus.

### SĀLS TVERTNES UZPILDE

Sāls lietošana novērš KAĻĶAKMENS veidošanos uz traukiem un ierīces funkcionālajām daļām.

- **SĀLS TVERTNE NEKAD NEDRĪKST** būt tukša.
- Ir svarīgi iestatīt ūdens cietību.

Sāls tvertne atrodas trauku mazgājamās mašīnas apakšējā daļā (skatiet **IZSTRĀDĀJUMA APRAKSTS**) un tā jāuzpilda, ja vadības panelī ieddedzies **SĀLS UZPILDES** indikators .



1. Izņemiet zemāko statīvu un atskrūvējiet tvertnes vāciņu (pretēji pulksteņa rādītāja virzienam).
2. **Tikai pirmajā reizē rīkojieties šādi: sāls tvertni uzpildiet ar ūdeni.**
3. Novietojiet piltuvi (skatiet attēlu) un piepildiet sāls tvertni līdz augšai (aptuveni 1 kg); no tā nevajadzētu iztecēt ūdenim.
4. Izņemiet piltuvi un noslaukiet uz atveres palikušo sāli.

Pārliecinieties, ka vāciņš ir stingri pieskrūvēts, lai mazgāšanas programmas laikā tvertne neieklejūtu mazgāšanas līdzekli (tas var sabojāt ūdens mikstinātāju).

**Ja nepieciešams pievienot sāli, obligāti jāveic nepieciešamās darbības pirms mazgāšanas cikla ieslēgšanas, lai novērstu koroziju.**

### ŪDENS CIETĪBAS IESTATĪŠANA

Lai ļautu ūdens mikstinātājam darboties kā paredzēts, ir svarīgi norādīt tādu ūdens cietību, kāda ir ūdenim jūsu mājās. Šādu informāciju varat uzzināt pie vietējā ūdens piegādātāja.

Rūpnīcā ir iestatīta ūdens cietības noklusējuma vērtība.

- Ieslēdziet ierīci, nospiežot **IESLĒGŠANAS/IZSLĒGŠANAS** pogu.
- Izslēdziet ierīci, nospiežot **IESLĒGŠANAS/IZSLĒGŠANAS** pogu.
- Nospiediet **P** pogu un turiet to 5 sekundes, līdz dzirdat skaņas signālu.
- Ieslēdziet ierīci, nospiežot **IESLĒGŠANAS/IZSLĒGŠANAS** pogu.
- Mirgo šobrīd atlasītā līmeņa numurs un sāls indikatora gaismiņa.
- Lai atlasītu vēlamo ūdens cietības līmeni, nospiediet pogu **P** (skatiet **ŪDENS CIETĪBAS TABULU**).

Ūdens cietības tabula			
Līmenis	°dH Vācu grādi	°fH Franču grādi	°Clark Angļu grādi
1	Mīksts	0 - 6	0 - 10
2	Vidējs	7 - 11	11 - 20
3	Vidējs	12 - 16	21 - 29
4	Ciets	17 - 34	30 - 60
5	Ļoti ciets	35 - 50	61 - 90

- Izslēdziet ierīci, nospiežot **IESLĒGŠANAS/IZSLĒGŠANAS** pogu.

Iestatīšana ir pabeigta!

Tiklīdz šī darbība ir pabeigta, palaidiet programmu, neievietojot mašīnā traukus.


**Izmantojiet tikai tādu sāli, kas paredzēta lietošanai trauku mazgājamās mašīnās.**

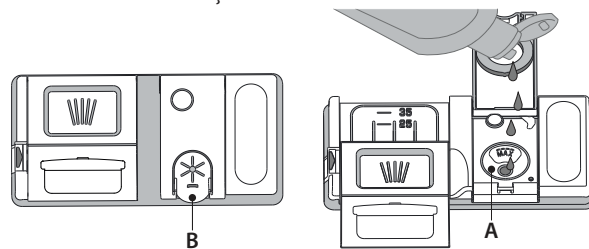
Pēc tam, kad mašīnā iebērtas sāls, **SĀLS UZPILDES** indikatora gaismiņa izslēdzas.

**Neuzpildot sāls tvertni, var tikt bojāts ūdens mikstinātājs un sildelements, kā rezultātā uzkrāsies kaļķakmens nogulsnes.**

Sāli ieteicams lietot kopā ar visu veidu trauku mazgāšanas līdzekļiem.

### UZPILDIET SKALOŠANAS LĪDZEKĻA DOZATORU

Skalošanas līdzeklis ļauj vieglāk NOŽĀVĒT traukus. Kad vadības panelī ir iedegta **SKALOŠANAS LĪDZEKĻA UZPILDES** indikatora gaismiņa , jāuzpilda skalošanas līdzekļa dozators **A**.



1. Atveriet dozatoru **B**, nospiežot un paceļot vāka cilni.
2. Rūpīgi ielejiet skalošanas līdzekli līdz maksimālajai uzpildes vietas atzīmei (110 ml), neizšļakstiet neizlejiet to. Ja tā noticis, nekavējoties saslauciet to ar sausu drānu.
3. Uzspiediet uz vāciņa, līdz dzirdat aizvēršanās klikšķi.

**NEKAD nelejiet skalošanas līdzekli tieši cilindrā.**

### SKALOŠANAS LĪDZEKĻA DEVAS PIELĀGOŠANA

Ja jūs neapmierina žāvēšanas rezultāti, varat pielāgot izmantojamā skalošanas līdzekļa daudzumu.

- Ieslēdziet trauku mazgājamo mašīnu, nospiežot **IESLĒGŠANAS/IZSLĒGŠANAS** pogu.
- Izslēdziet ierīci, nospiežot **IESLĒGŠANAS/IZSLĒGŠANAS** pogu.
- Trīs reizes nospiediet pogu **P** - būs dzirdams pikstiens.
- Ieslēdziet ierīci, nospiežot **IESLĒGŠANAS/IZSLĒGŠANAS** pogu.
- Mirgo pašreizējais atlasītā līmeņa numurs un sanitārās skalošanas indikatora gaismiņa.
- Lai atlasītu vēlamo skalošanas līdzekļa daudzumu, nospiediet pogu **P**.
- Izslēdziet to, nospiežot **IESLĒGŠANAS/IZSLĒGŠANAS** pogu.

Iestatīšana ir pabeigta!

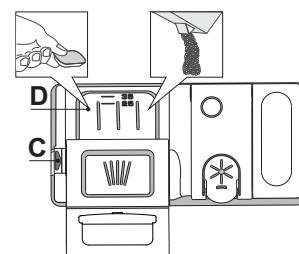
Ja skalošanas līdzekļa līmenis ir iestatīts uz ZERO (EKO), nav nepieciešams skalošanas līdzeklis. Ja skalošanas līdzeklis būs beidzies, zema skalošanas līdzekļa līmeņa indikators neiedegsies.

Atkarībā no trauku mazgājamās mašīnas modeļa, iespējams iestatīt ne vairāk kā 5 līmeņus. Trauku mazgājamās mašīnas rūpnīcas iestatījums atšķiras atkarībā no modeļa; izpildiet iepriekš minētos norādījumus, lai pārbaudītu šo iestatījumu ierīcē.

- Ja uz traukiem redzamas zilganas svītras, iestatiet mazāku vērtību (1-2).
- Ja uz traukiem redzami ūdens pilieni vai kaļķakmens nogulsnes, iestatiet augstāku vērtību (3-4).

### MAZGĀŠANAS LĪDZEKĻA DOZATORA UZPILDE

**Lai atvērtu mazgāšanas līdzekļa dozatoru, izmantojiet atvēršanas instrumentu C. Ielejiet mazgāšanas līdzekli tikai sausajā dozatorā D. Priekšmazgāšanai nepieciešamo mazgāšanas līdzekļa daudzumu ievietojiet tieši cilindrā.**



1. Nosakot mazgāšanas līdzekļa daudzumu, skatiet iepriekš minēto informāciju, lai pievienotu pareizu daudzumu līdzekļa. Dozatorā **D** ir norādes, lai pareizi dozētu mazgāšanas līdzekli.
2. Pirms vāka aizvēršanas (līdz dzirdams klikšķis) notīriet mazgāšanas līdzekļa atlikumus no dozatora.
3. Aizveriet mazgāšanas līdzekļa dozatoru, ceļot to uz augšu, līdz slēdzene ir vietā.

Mazgāšanas līdzekļa dozators atveras automātiski, kad pienācis attiecīgais brīdis programmā. Izmantojot vairākfunkciju mazgāšanas līdzekļus, ieteicams lietot pogu **TABLETE**, jo tā pielāgo programmu tā, lai vienmēr tiktu sasniegti labākie mazgāšanas un žāvēšanas rezultāti.

**Ja izmantosit mazgāšanas līdzekli, kas nav paredzēts trauku mazgājamām mašīnām, var rasties ierīces darbības traucējumi vai bojājumi.**

# PROGRAMMU TABULA

Programma	Žāvēšanas posms	NaturalDry	Pieejamās izvēlnes *)	Mazgāšanas programmas darbības laiks (h:min)**)	Ūdens patēriņš (litri/cikli)	Enerģijas patēriņš (kWh/cikli)
1. Eko Eco 50°	✓	✓	MULTI ZONE	3:40	9,0	0,67
2. 6 <sup>th</sup> Sense® 50-60°	✓	✓	MULTI ZONE	1:20 - 3:00	7,0 - 14,0	0,70 - 1,10
3. Intensīvs	✓	✓	MULTI ZONE	2:45	17,5	1,60
4. Ātrā mazgāšana un žāvēšana	✓	✓	MULTI ZONE	1:25	11,5	1,10
5. Kristāli	✓	✓	MULTI ZONE	1:40	12,0	1,20
6. Ātrais 30'	-	✓	MULTI ZONE	0:30	9,0	0,50
7. Priekšmazgāšana	-	-	MULTI ZONE	0:10	4,5	0,01
8. Paštīrīšanās	-	-		0:50	8,0	0,85

EKO programmas dati noteikti laboratoriskos apstākļos saskaņā ar Eiropas standartu EN 60436:2020.

Piezīme testa laboratorijām: informāciju par salīdzinošiem EN testēšanas apstākļiem, lūdzu, sūtiet e-pastu uz šo adresi: [dw\\_test\\_support@europeanappliances.com](mailto:dw_test_support@europeanappliances.com)  
Trauku priekšmazgāšana nav nepieciešama nevienā programmā.

\*) Ne visas iespējas var izmantot vienlaicīgi.

\*\*) Vērtības, kas norādītas citām programmām, nevis Eko ir tikai informatīvas. Reālais laiks var mainīties, ņemot vērā tādus faktorus kā pievadītā ūdens temperatūra un spiediens, istabas temperatūra, mazgāšanas līdzekļa daudzums, trauku daudzums un veids, trauku izkārtojums, papildu izvēlnes un sensoru kalibrēšana. Sensoru kalibrēšana var palielināt programmu darbības laiku par 20minūtēm.

## PROGRAMMU APRAKSTS

### Norādījumi mazgāšanas cikla izvēlei.

#### 1 EKO

Eko programma ir piemērota, lai notīrītu vidēji netīrus virtuves traukus, un tā ir efektīvākā šāda veida mazgāšanas programma, jo mazina enerģijas un ūdens patēriņu atbilstoši ES ekodizaina normatīviem.

#### 2 6<sup>th</sup> SENSE®

Izmantojiet vidēji netīriem traukiem ar piekaltušām ēdiena paliekām. Nosaka trauku netīrības līmeni un atbilstoši pielāgo programmu. Kad sensors nosaka netīrības līmeni, displejā tiek parādīta animācija un atjaunināts cikla ilgums.

#### 3 INTENSĪVS

Programma ieteicama ļoti netīriem traukiem, īpaši piemērota pannām un kastroļiem (nav ieteicams traukiem priekšmetiem).

#### 4 ĀTRĀ MAZGĀŠANA UN ŽĀVĒŠANA

Vidēji netīriem traukiem. Ikdienas cikls, kas nodrošina optimālu mazgāšanu un žāvēšanu īsākā laikā.

#### 5 KRISTĀLI

Programma trauku, pret augstu temperatūru jutīgāku trauku, piemēram, glāžu un krūžu, mazgāšanai.

#### 6 ĀTRAIS 30'

Programma paredzēta mazliet netīriem traukiem bez piekaltušām ēdiena atliekām ar daļēju ierīces noslodzi. Ierīcei nav žāvēšanas programmas.

#### 7 PRIEKŠMAZGĀŠANA

Virtuves trauku vēlākai mazgāšanai. Šajā programmā nav paredzēts izmantot mazgāšanas līdzekli.

#### 8 PAŠTĪRĪŠANĀS

Programma, kas jāizmanto trauku mazgājamās mašīnas tehniskās apkopes veikšanai, ir jāizpilda tikai tad, kad trauku mazgājamā mašīna ir TUKŠA, un šai darbībai ir jāizmanto īpaši, trauku mazgājamās mašīnas apkopei paredzēti tīrīšanas līdzekļi.

#### Piezīmes.

Ņemiet vērā, ka cikls Ātrais 30' paredzēts vidēji netīriem traukiem.

# IZVĒLNES UN FUNKCIJAS

Dažas izvēlnes iespējams atlasīt, tieši nospiežot attiecīgo pogu (skatiet VADĪBAS PANELI).

**Ja izvēlni nav iespējams savietot ar atlasīto programmu skatiet PROGRAMMU TABULU, attiecīgā LED lampiņa mirgos trīs sekundes un tiks atskaņots skaņas signāls. Izvēlne nebūs iespējota.**

## MULTI ZONE MULTIZONE

Ja mazgājamo trauku daudzums nav pietiekams, ūdens, elektrības un mazgājamo līdzekļu taupības nolūkos iespējams izmantot pusielādes funkciju.

Atlasiet programmu un tad nospiediet MULTIZONE pogu: displejā parādīsies izvēlētā statīva simbols. Pēc noklusējuma ierīce mazgā traukus visos statīvos.

Lai mazgātu tikai konkrētu statīvu, nospiediet šo pogu atkārtoti:



parādīts displejā (tikai apakšējais statīvs)



parādīts displejā (tikai augšējais statīvs)



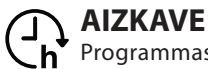
parādīts displejā (tikai galda piederumu statīvs)



redzams displejā (izvēlne ir IZSLĒGTA un ierīce veiks mazgāšanu visos statīvos).

**Atcerieties ievietot traukus tikai augšējā vai tikai apakšējā statīvā un attiecīgi samaziniet mazgāšanas līdzekļa daudzumu.**

**Ja augšējais plaukts ir izņemts, iepildiet mazgāšanas līdzekli tieši ierīces tilpnē, nevis mazgāšanas līdzekļa dozatorā.**



## AIZKAVE

Programmas palaišanu iespējams atlikt uz laiku no 1 līdz 12 stundām.

1. Nospiediet pogu AIZKAVE: displejā parādās attiecīgs simbols "h"; katru reizi nospiežot pogu, tiks palielināts laiks (1 stunda, 2 stundas utt. līdz 12 stundām) līdz atlasītā mazgāšanas cikla palaišanai.
2. Izvēlieties mazgāšanas programmu, nospiediet pogu SĀKT/pauze un aizveriet ierīces durvis 4 sekunžu laikā: taimeris sāks laika atskaiti.
3. Tiklīdz iestatītais laiks būs beidzies, "h" indikators nodzisis un tiks palaists mazgāšanas cikls.

Lai pielāgotu aizkaves laiku un atlasītu mazāku laika periodu, nospiediet pogu AIZKAVE. Lai to atceltu, atkārtoti nospiediet pogu līdz atlasītais aizkavētās palaišanas indikators "h" nodzisis.

**Aizkavētās palaišanas funkciju nav iespējams aktivizēt, ja programma jau ir palaista.**



## SANITĀRĀS SKALOŠANAS funkcija

Šo funkciju var izmantot, lai nomazgātus traukus dezinficētu. Tiks paaugstināta temperatūra skalošanas fāzē, un izvēlētajā programmā tiks pievienota antibakteriālā mazgāšana.

Atlasiet mazgāšanas programmu un nospiediet SANITĀRĀS SKALOŠANAS funkcijas pogu; iedegas indikators. Lai atceltu atlasīto izvēlni, vēlreiz nospiediet to pašu pogu. Izcili piemērots trauku un barošanas pudelišu mazgāšanai. Trauku mazgājamās mašīnas durvīnām ir jābūt aizvērtām visas programmas laikā, lai nodrošinātu baktēriju daudzuma samazināšanu. Ja durvīnās ir atvērtas, indikators sāk mirgot.

**BRĪDINĀJUMS: cikla beigās trauki un šķīvji var būt ārkārtīgi karsti.**



## POWER CLEAN®

Pateicoties spēcīgām papildu strūklām, šī izvēlne nodrošina intensīvāku un spēcīgāku mazgāšanu apakšējā statīvā (konkrētā zonā). Šī izvēlne ieteicama katlu un kastroļu mazgāšanai. Nospiediet šo pogu, lai aktivizētu POWER CLEAN (iedegas indikators).



## TABLETE (Tab)

Izmantojot šo iestatījumu, var optimizēt cikla veiktspēju atbilstoši izmantotā mazgāšanas līdzekļa veidam.

Nospiediet pogu SĀKT/Pauze un turiet to 3 sekundes (attiecīgais simbols), ja izmantojat kombinētos mazgāšanas līdzekļus tabletēs (skalošanas līdzekli, sāli un mazgāšanas līdzekli 1 devā).

**Ja lietojat pulverveida vai šķidro mazgāšanas līdzekli, šai izvēlnei jābūt izslēgtai.**



## DARBĪBAS INDIKATORS

Uz grīdu vērsta, iedegta LED gaismiņa norāda uz to, ka trauku mazgājamā mašīna darbojas. Iespējams atlasīt vienu no šiem darbības režīmiem:

- a) funkcija ir atspējota.
- b) sākoties ciklam, uz pāris sekundēm iedegas apgaismojums, programmas darbības laikā tas izdziest un sāk mirgot cikla beigās.
- c) apgaismojums ir iedegts cikla darbības laikā un mirgo cikla darbības beigās (noklusējuma režīmā).

Ja iestatīta aizkavētā palaišana, gaisma iedegas laika atskaites sākumā vai ir iedegta visā tās laikā, ņemot vērā to, kāds režīms ir izvēlēts (b vai c).

Katru reizi, kad tiek atvērtas durvis, apgaismojums izdziest. Lai atlasītu vēlamo režīmu, ieslēdziet ierīci, nospiediet pogu P, līdz displejā parādās viens no trim vārdiem, nospiediet pogu P, līdz nonākat pie nepieciešamā burtā (vai režīma), un turiet nospiestu pogu P, lai apstiprinātu savu izvēli.

**Piezīme. Ja ir ieslēgts NaturalDry un tiek atvērtas durvis, cikla beigās nemirgos darbības indikators.**

## NaturalDry

NaturalDry ir konvekcijas žāvēšanas sistēma, kas automātiski atver ierīces durvis žāvēšanas laikā un pēc tās, nodrošinot labāko žāvēšanu ik dienu. Ierīces durvis atveras, kad darbības temperatūra neietekmē virtuves mēbeles. Durvis netiks atvērtas, kad ir ieslēgta iespēja SANITĀRĀS SKALOŠANAS.

Trauku mazgājamā mašīnā ir arī papildu aizsardzība pret tvaiku — īpaši izstrādāta aizsardzības folija. Lai noskaidrotu, kā uzstādīt aizsardzības foliju, lūdzu, skatiet UZSTĀDĪŠANAS PAMĀCĪBU.

NaturalDry funkciju var izslēgt šādi:

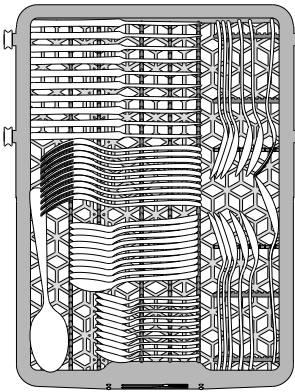
1. Atveriet trauku mazgājamās mašīnas programmatūras izvēlni, turot nospiestu pogu P (6 s).
2. Esat atvēruši apgaismojuma vadības izvēlni (Light Control) (skatiet aprakstu sadaļā DARBĪBAS INDIKATORS); ja nevēlaties mainīt iestatījumus, turiet nospiestu pogu P (līdz displejā parādās viens no diviem burtiem).
3. Pārejiet uz izvēlni NaturalDry Control (NaturalDry vadība); šeit varat mainīt NaturalDry funkcijas statusu, nospiežot pogu P:

**E** – iespējots **d** – atspējots

Lai apstiprinātu izmaiņas un aizvērtu vadības izvēlni, turiet nospiestu pogu P (3 s).

# STATĪVU PIEPILDĪŠANA

## PIEDERUMU STATĪVS

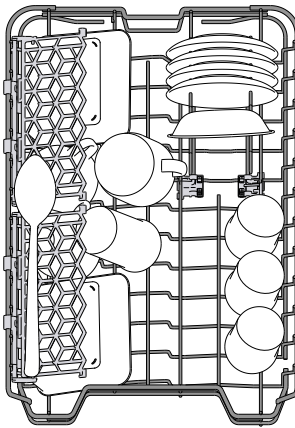


Trešais statīvs paredzēts galdā piederumu izvietošanai. Izvietojiet gala piederumus kā parādīts attēlā.

Izkārtojot galdā piederumus atsevišķi, pēc mazgāšanas tos būs vieglāk savākt, kā arī tie tiks labāk nomazgāti.

**Nažus un citus priekšmetus ar asām malām jānovieto tā, lai asmeņi būtu vērsti uz leju.**

## AUGŠĒJAIS STATĪVS



Ievietojiet traušus un vieglus traukus: glāzes, krūzes, apakštases, seklas salātu bļodas.

Apakšējais statīvs aprīkots ar īpašiem balstiem, ko iespējams izmantot vertikālā pozīcijā, ja tajā tiek ievietotas tējas vai deserta tasītes, vai pazeminātā pozīcijā, lai ievietotu katlus un pārtikas konteinerus.

(piemērs augšējā statīva piepildīšanai)

## AUGŠĒJĀ STATĪVA AUGSTUMA PIELĀGOŠANA

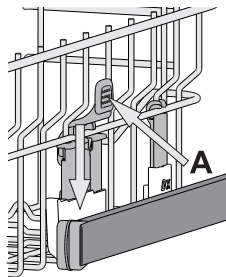
Augšējā statīva augstumu iespējams pielāgot: augstākā pozīcijā, lai apakšējā grozā ievietotu lielākus traukus, un zemākā pozīcijā, lai optimāli izmantotu īpašos atbalstu, nodrošinātu vairāk vietas augšējā daļā un neļautu augšējā statīvā ievietotajiem traukiem sadurties ar apakšējā statīvā ievietotajiem.

Augšējais statīvs aprīkots ar augšējā statīva augstuma regulatoru (skatiet attēlu); paceliet to, nespiežot uz svirām, bet vienkārši turot statīva malas, līdz statīvs ir stabili novietots augšējā pozīcijā.

Lai atgrieztu statīvu zemākajā pozīcijā, nospiediet statīva malās esošās sviras A un bīdieliet grozu uz leju.

**Ir stingri ieteicams nepielāgot statīva augstumu, kad tajos ir ievietoti trauki.**

**NEKAD nepaceliet vai nenolaidiet grozu tikai vienā pusē.**



## ATLOKĀMIE PLAUKTI AR PIELĀGOJAMU NOVIETOJUMU

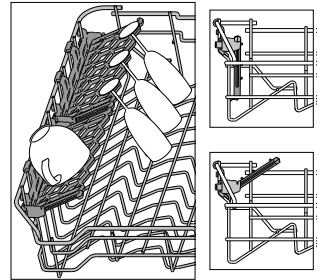
Sānu pielāgojamus atlokus var pielocīt vai atlocīt, lai optimizētu pārtikas produktu izvietošanu statīvā.

Vīna glāzes var droši ievietot atlokāmajos plauktos, glāžu kājiņas ievietojot attiecīgajās atverēs.

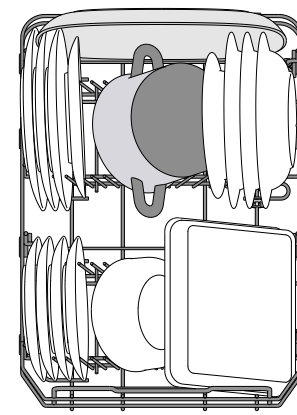
Atkarībā no modeļa:

- lai atlocītu malas, nepieciešams tās pavirzīt augšup un pagriezt vai atbrīvot no stiprinājumiem un pavilkt augšup.

- lai salocītu malas, nepieciešams tās pagriezt un pavirzīt lejup vai pavilkt tās augšup un ievietot stiprinājumos.



## APAKŠĒJAIS STATĪVS



Katliem, vākiem, šķīvjiem, salātu bļodām, galdā piederumiem utt. Lieli šķīvji un vāki jānovieto sānos, lai tie netraucētu smidzināšanas svirai.

Apakšējais statīvs aprīkots ar īpašiem balstiem, ko iespējams izmantot vertikālā pozīcijā, ja šķīvji tiek ievietoti horizontāli (apakšā), tādējādi ļaujot vienkārši ievietot arī pannas un salātu bļodas.

(piemērs apakšējā statīva piepildīšanai)

## POWER CLEAN® FUNKCIJA APAKŠĒJĀ STATĪVĀ

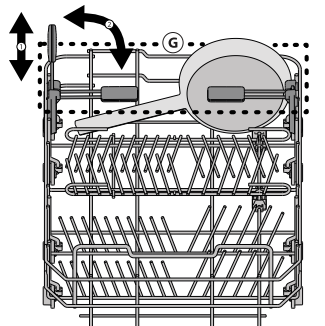
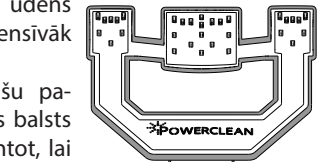
Power Clean® funkcija izmanto īpašas ūdens strūkļas iedobuma aizmugurē, lai intensīvāk mazgātu ļoti netīrus priekšmetus.

Apakšējais statīvs ir aprīkots ar īpašu paplašinājumu — tas ir uz āru izvelkams balsts statīva aizmugurē, ko iespējams izmantot, lai atbalstītu pannas vai cepešpannas, kad tās novietotas stāvus, tādējādi aizņemot mazāk vietas.

Ievietojot katlus un kastroļus un vērsot tos Power Clean® virzienā, vadības panelī aktivizējiet funkciju **POWER CLEAN**.

Kā izmantot Power Clean® funkciju:

1. Pielāgojiet Power Clean® funkcijas zonu (G), noliecot uz leju aizmugures plāksnes turētājus, lai ievietotu katlus.
2. Vertikāli saskvērtus katlus un kastroļus ievietojiet Power Clean® funkcijas zonā. Katli ir jāsvērta spēcīgo ūdens strūkļu virzienā.



# IKDIENAS LIETOŠANA

## 1. PĀRBAUDIET ŪDENS SAVIENOJUMU

Pārbaudiet, vai trauku mazgājamā mašīna ir pieslēgta ūdens padevei un vai krāns ir atvērts.

## 2. IESLĒDZIET TRAUKU MAZGĀJAMO MAŠĪNU

Darbojas tikai **IESLĒGŠANAS/IZSLĒGŠANAS** poga.

## 3. PIEPILDIET STATĪVUS *(skatiet STATĪVU PIEPILDĪŠANA)*

## 4. MAZGĀŠANAS LĪDZEKĻA DOZATORA UZPILDE

## 5. ATLASIET PROGRAMMU UN PIELĀGOJIET CIKLU

Atlasiet piemērotāko programmu, ņemot vērā trauku veidu un netīrību, *(skatiet PROGRAMMU APRAKSTU)* nospiežot pogu **P**. Atlasiet nepieciešamās izvēlnes *(skatiet IZVĒLNES UN FUNKCIJAS)*.

## 6. PALAIŠANA

Ieslēdziet mazgāšanas ciklu, nospiežot pogu **SĀKT/Pauze** (deg gaismas diode), un 4 sekunžu laikā aizveriet ierīces durvis. Pēc programmas palaišanas atskanēs viens skaņas signāls. Ja durvis netiek aizvērtas 4 sekunžu laikā, atskanēs brīdinājuma signāls. Šādā gadījumā atveriet ierīces durvis, vēlreiz nospiežot pogu **SĀKT/Pauze** un 4 sekunžu laikā aizveriet ierīces durvis.

## 7. MAZGĀŠANAS CIKLA BEIGAS

Mazgāšanas cikla beigās tiek ieslēgts skaņas signāls un displejā sāk mirgot mazgāšanas cikla numurs. Atveriet ierīces durvis un izslēdziet ierīci, nospiežot **IESLĒGŠANAS/IZSLĒGŠANAS** pogu.

Lai izvairītos no apdegumiem, uzgaidiet pāris minūtes un tikai tad izņemiet traukus. Izņemiet traukus no statīviem, sākot ar apakšējo.

Lai vēl vairāk samazinātu enerģijas patēriņu, ilgstoši neizmantojot ierīci tā automātiski izslēgsies.

Ja trauki ir tikai nedaudz netīri vai pirms ievietošanas trauku mazgājamā mašīnā tie ir noskaloti, samaziniet mazgāšanas līdzekļa daudzumu.

## AKTĪVAS PROGRAMMAS MODIFICĒŠANA

Ja ir atlasīta nepareiza programma, kas tikko palaista, to ir iespējams nomainīt: Atveriet ierīces durvis, turiet nospiestu **IESLĒGŠANAS/IZSLĒGŠANAS** pogu, līdz ierīce izslēdzas.

Ieslēdziet ierīci, nospiežot **IESLĒGŠANAS/IZSLĒGŠANAS** pogu, atlasiet jauno mazgāšanas ciklu un vēlamās iespējas. Aktivizējiet ciklu, nospiežot pogu **SĀKT/Pauze**, un 4 sekunžu laikā aizveriet ierīces durvis.

## PAPILDU TRAUKU IEVIETOŠANA

Neizslēdzot ierīci, atveriet tās durvis (mirgos pogas **SĀKT/Pauze** gaismas diode) (**uzmanieties no KARSTA tvaika!**) un ievietojiet trauku mazgājamā mašīnā traukus. Nospiediet pogu **SĀKT/Pauze** un 4 sekunžu laikā aizveriet ierīces durvis, lai atsāktu programmas darbību no vietas, kur tā tika pārtraukta.

## NEJAUŠA IEJAUŠANĀS

Ja mazgāšanas cikla laikā tiek atvērtas ierīces durvis vai notiek energoapgādes pārtraukums, mazgāšanas cikls pārstāj darboties. Lai atsāktu programmas darbību no vietas, kur tā tika pārtraukta, nospiediet pogu **SĀKT/Pauze** un 4 sekunžu laikā aizveriet ierīces durvis.

# PADOMI UN IETEIKUMI

## PADOMI

Pirms grozu piepildīšanas notīriet no traukiem ēdienu atlikumus un izlejiet šķidrumus no glāzēm. **Nav nepieciešams vispirms izskalot zem tekoša ūdens.**

Novietojiet traukus tā, lai tie stingri turētos vietā un nepārkļātos; pārtikas konteinerus novietojiet ar atverēm uz leju un ieliekumiem/ izliekumiem vēršiem uz sānu, lai tādējādi ļautu ūdenim piekļūt ikvienai vietai un brīvi plūst.

**Brīdinājums:** vāki, rokturi, tvertnes un pannas netraucē smidzināšanas svirai griezties.

Mazākos priekšmetus ievietojiet galda piederumu grozā.

Ļoti netīri trauki un pannas jāievieto apakšējā grozā, jo tā ir vieta, kur ūdens strūkļas ir spēcīgākas un tādējādi nodrošina vēl labāku mazgāšanu. Pēc ierīces piepildīšanas pārlicinieties, ka ierīces smidzināšanas sviras var brīvi griezties.

## NEPIEMĒROTI TRAUKI

- Koka trauki un piederumi.
- Trauslas un dekorētas glāzes, mākslinieciski amatnieku darinājumi un antīki trauki. Rotājumi nav izturīgi.
- Sintētisko materiālu daļas, kas nevar izturēt augstu temperatūru.
- Vara un alvas trauki.
- Trauki, kas nosmērēti ar pelniem, vasku, eļļu vai tinti.

Mazgāšanas laikā glāžu rotājumu un alumīnija/sudraba priekšmetu krāsa var mainīties. Dažādi stikla priekšmeti (piemēram, kristāla trauki) pēc vairākām mazgāšanas reizēm var kļūt nespodri.

## GLĀŽU UN TRAUKU BOJĀJUMI

- Lietojiet tikai tādas glāzes un porcelāna traukus, kurus saskaņā ar ražotāja norādēm atļauts mazgāt trauku mazgājamā mašīnā.
- Lietojiet traukiem piemērotu delikātu mazgāšanas līdzekli
- Tiklīdz mazgāšanas cikls ir beidzies, izņemiet glāzes uz galda piederumus no trauku mazgājamās mašīnas.

## ENERĢIJAS TAUPIŠANAS PADOMI

- Ja sadzīves trauku mazgājamo mašīnu lieto atbilstoši ražotāja norādījumiem, **virtuves trauku mazgāšanas laikā parasti tiek patērēts MAZĀK ENERĢIJAS un ūdens, nekā mazgājot traukus ar rokām.**
- Lai maksimāli palielinātu trauku mazgājamās mašīnas efektivitāti, ieteicams ieslēgt mazgāšanas ciklu tikai tad, **kad trauku mazgājamās mašīna ir pilnībā noslogota.** Trauku mazgājamās mašīnas noslodze, vadoties pēc ražotāja ieteikumiem, palīdzēs mazināt enerģijas un ūdens patēriņu. Informāciju par pareizu virtuves trauku ievietošanu skatiet nodaļā PLAUKTU PIEPILDĪŠANA. Ja trauku mazgājamā mašīna netiek pilnībā noslogota, ieteicams izmantot paredzētās mazgāšanas iespējas (ja pieejamas) (Half load (Puse ielādes)/Zone Wash (Zonas mazgāšana)/Multizone (Vairākas zonas)), piepildot tikai izvēlētos plauktus. Nepareiza trauku mazgāšanas mašīnas piepildīšana palielinās resursu patēriņu (piemēram, ūdeni, enerģiju un laiku, kā arī tiks palielināts trokšņa līmenis), samazinot tīrīšanas un žāvēšanas veiktspēju.
- Manuāla virtuves piederumu un trauku priekšskalošana izraisīs ūdens un enerģijas patēriņa pieaugumu, un tas nav ieteicams.

## HIGIĒNA

Lai ierīces iekšpusē neuzkrātos nepatīkamas smakas un nogulsnes, **vismaz reizi mēnesī ieteicams izpildīt programmu ar augstu temperatūru.** Lai iztīrītu ierīci, izmantojiet vienu tējkaroti mazgāšanas līdzekļa un darbiniet ierīci bez tajā ievietotiem traukiem.

# TĪRĪŠANA UN APKOPE

## FILTRU KOMPLEKTA TĪRĪŠANA

Regulāri iztīriet filtrus, lai tie neaizsērētu un notekūdens aizplūstu pareizi.

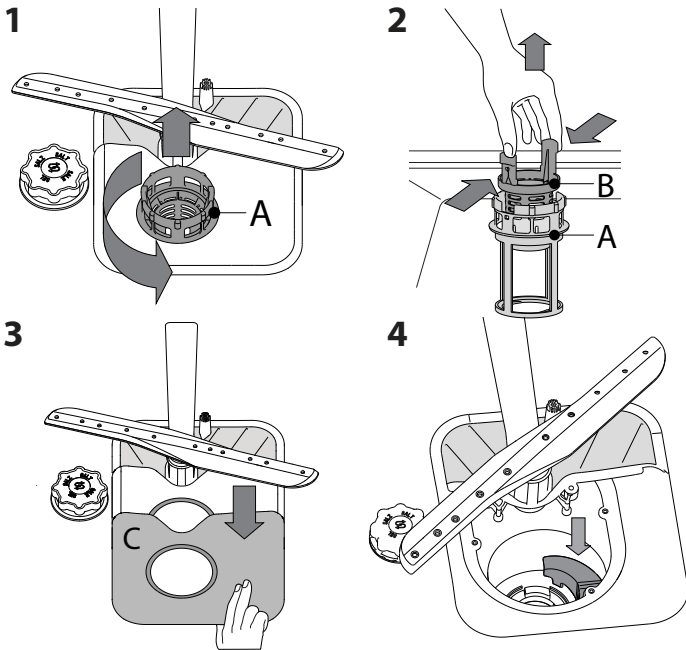
Ja izmantosit trauku mazgājamo mašīnu, kad ir aizsērējuši filtri vai filtrēšanas sistēmā vai izsmidzinātājos ir iekļuvis svešķermenis, var rasties ierīces darbības traucējumi, kas mazinās veiktspēju, palielinās trokšņa līmeni un resursu patēriņu.

Filtru komplekts sastāv no trim filtriem, kas savāc mazgāšanas ūdeni esošās ēdienu paliekas un veic ūdens cirkulāciju.

**Trauku mazgājamo mašīnu nevar izmantot bez filtriem, kā arī tad, ja filtri ir vaļīgi.**

Vismaz reizi mēnesī vai ik pēc 30 cikliem pārbaudiet filtra mezglu un, ja nepieciešams, iztīriet to ar suku (nemetāla) zem tekoša ūdens un ievērojiet zemāk minētos norādījumus:

1. Pagrieziet cilindrisko filtru **A** pretēji pulksteņa rādītāja virzienam un izvelciet to (1. attēls).
2. Noņemiet kausveida filtru **B**, uzspiežot uz tā sānu atlokiem (2. attēls).
3. Izņemiet plakano nerūsējošā tērauda filtru **C** (3. attēls).
4. Ja tiek konstatēti svešķermeņi (piemēram, saplīsuša stikla, porcelāna gabali, kauli, augļu sēklas u.c.), uzmanīgi izņemiet tos.
5. Pārbaudiet sietu un iztīriet ēdienu atliekas. **NEKAD NENOŅEMIET** mazgāšanas cikla sūkņa drošības elementu (melnā detaļa) (4. attēls).



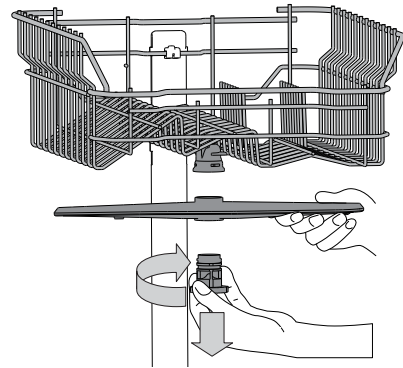
Pēc filtru iztīrīšanas novietojiet tos atpakaļ vietā un rūpīgi nostipriniet; tas ir svarīgi, lai saglabātu trauku mazgājamo mašīnas darbības efektivitāti.

## ŪDENS IEPLŪDES CAURULES TĪRĪŠANA

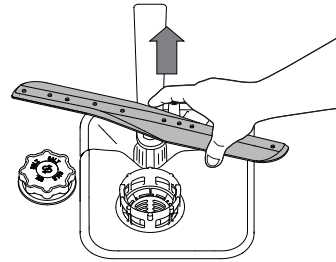
Ja ūdens caurules ir jaunas vai tās nav ilgāku laiku izmantotas, pirms mazgāšanas programmu palaišanas pārlicinieties, vai ūdens ir tīrs un tajā nav piemaisījumu. Neievērojot šo noteikumu, ūdens ieplūdes caurule var nosprostoties un tādējādi sabojāt trauku mazgājamo mašīnu.

## SMIDZINĀŠANAS SVIRU TĪRĪŠANA

Dažkārt ēdienu paliekas var piekalt smidzināšanas svirām un bloķēt atveres, pa kurām tiek smidzināts ūdens. Tādēļ ir ieteicams laiku pa laikam notīriet sviras ar nelielu birstīti (ne metāla).



Lai noņemtu augšējo izsmidzināšanas roku, pagrieziet plastmasas bloķēšanas gredzenu pulksteņrādītāja virzienā. Augšējā smidzināšanas svira jānovieto tā, lai puse, kurā ir lielākais skaits caurumu, būtu vērsta augšup.



Apakšējo smidzināšanas sviru iespējams noņemt, paceļot to uz augšu.

## ŪDENS MĪKSTINĀŠANAS SISTĒMA

Ūdens mīkstinātājs automātiski samazina ūdens cietības līmeni, nepieļaujot kaļķakmens nogulšņu uzkrāšanos uz sildītāja un nodrošinot labāku tīrīšanas efektivitāti.

**Šī sistēma tiek automātiski reģenerēta ar sāli, tādēļ ir nepieciešams papildināt sāls tvertni, ja tā ir tukša.**



Reģenerācijas biežums ir atkarīgs no ūdens cietības līmeņa iestatījuma – reģenerācija notiek vienu reizi katrā **6** Eco ciklā, ja ūdens cietības līmenis ir iestatīts uz **3**.

Reģenerācija sākas pēdējās skalošanas cikla laikā un beidzas žāvēšanas fāzē, pirms cikla pabeigšanas.

- Viena reģenerācijas cikla laikā tiek patērēts: aptuveni 3,5 l ūdens,
- Katra cikla izpildes laiks tiek pagarināts līdz 5 minūtēm;
- Tiek patērēts mazāk par 0,005 kWh enerģijas.

# PROBLĒMU RISINĀŠANA

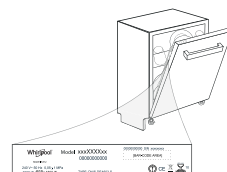
Kui nōudepesumasin ei tōōta korralikult, kontrollīge, kas problēmi on vōimalīk lahendada allpool oleva loendi abil. Kui esineb muid vīgu vōi problēme, pōōrduge volitatud mūūgijārgsesse teenīdusse, mille kontaktandmed leiate garantiibrošūūrist. Varuosad on saadaval vastavalt kehtivatele erīnōuetele kuni 7 vōi kuni 10 aastat.

PROBLĒMAS	IESPĒJAMIE CĒLOŅI	RISINĀJUMI
 Deg sāls indikators	Sāls tvertne ir tukša. (Pēc uzpildīšanas sāls līmeņa indikators var turpināt degt vairākus mazgāšanas ciklus).	Iepildiet tvertnē sāli (papildinformāciju skatiet 2. lappusē). Pielāgojiet ūdens cietību (skatiet tabulu 2. lappusē).
 Deg skalošanas līdzekļa indikators	Skalošanas līdzekļa tvertne ir tukša. (Pēc uzpildīšanas skalošanas līdzekļa līmeņa indikators var turpināt degt vairākus mazgāšanas ciklus).	Iepildiet dozatorā skalošanas līdzekli (papildinformāciju skatiet 2. lappusē).
Trauku mazgājamā mašīna nedarbojas vai nereaģē uz komandām.	Ierīce nav pareizi pieslēgta elektropadevei.	Ievietojiet kontaktdakšu rozetē.
	Elektropadeves pārrāvums.	Drošības apsvērumu dēļ trauku mazgājamā mašīna netiks pārstartēta, atjaunojot enerģoapgādi. Atveriet trauku mazgājamās mašīnas durvis, nospiediet pogu SĀKT/Pauze un 4 sekunžu laikā aizveriet ierīces durvis.
	Trauku mazgājamās mašīnas durvis nav aizvērtas. NaturalDry tapa nav ievilkta.	Enerģiski spiediet durvis, līdz ir dzirdams „klikšķis”.
	Ciklu pārtrauca durvju atvēršana un ilgāk nekā 4 sekundēm.	Nospiediet pogu SĀKT/Pauze un 4 sekunžu laikā aizveriet ierīces durvis.
No trauku mazgājamās mašīnas neizplūst ūdens. Displejā redzams: <b>3</b> un ātri mirgo ieslēgšanas/izslēgšanas gaismas diodes indikators	Mazgāšanas cikls vēl nav beidzies.	Pagaidiet, līdz mazgāšanas cikls beidzas.
	Novadcaurule ir satinusies.	Pārliecinieties, ka novadcaurule nav satinusies (skatiet MONTĀŽAS NORĀDĪJUMUS).
	Izlietnes novadcaurule ir nosprostojusies.	Iztīriet izlietnes novadcauruli.
	Filtru ir aizsprostojušas ēdienu atliekas	Iztīriet filtru (skatiet FILTRU KOMPLEKTA TĪRĪŠANA).
Trauku mazgājamā mašīna rada skaļu troksni.	Trauki daudzās viens pret otru.	Novietojiet traukus pareizi (skatiet STATĪVU PIEPILDĪŠANA).
	Ir radies pārāk liels putu daudzums.	Mazgāšanas līdzekļa daudzums nav pareizi aprēķināts vai tas nav piemērots izmantošanai trauku mazgājamās mašīnās (skatiet MAZGĀŠANAS LĪDZEKĻA DOZATORA UZPILDE). Atiestatiet pašreizējo ciklu, IZSLĒDZOT trauku mazgājamo mašīnu, pēc tam vēlreiz to ieslēdziet, atlasiet jaunu programmu, nospiediet pogu SĀKT/Pauze un 4 sekunžu laikā aizveriet durvis. Nepievienojiet mazgāšanas līdzekli.
Trauki nav tīri.	Trauki nav bijuši pareizi novietoti.	Novietojiet traukus pareizi (skatiet STATĪVU PIEPILDĪŠANA).
	Izsmidzināšanas sviras nevar brīvi griezties, jo tām traucē trauki.	Novietojiet traukus pareizi (skatiet STATĪVU PIEPILDĪŠANA).
	Mazgāšanas cikls ir pārāk maigs.	Izvēlieties atbilstošu mazgāšanas ciklu (skatiet PROGRAMMU TABULU).
	Ir radies pārāk liels putu daudzums.	Mazgāšanas līdzekļa daudzums nav pareizi aprēķināts vai tas nav piemērots izmantošanai trauku mazgājamās mašīnās (skatiet MAZGĀŠANAS LĪDZEKĻA DOZATORA UZPILDE).
	Skalošanas līdzekļa nodalījuma vāciņš nav pareizi aizvērts.	Pārliecinieties, ka skalošanas līdzekļa dozatora vāciņš ir aizvērts.
Trauku mazgājamā mašīnā neieplūst ūdens. Displejā redzams: <b>H, 6</b> un ātri mirgo ieslēgšanas/izslēgšanas gaismas diodes indikators	Filtrs ir netīrs vai aizsērējis.	Iztīriet filtru komplektu (skatiet TĪRĪŠANA UN APKOPE).
	Nav sāls.	Uzpildiet sāls tvertni (skatiet SĀLS TVERTNES UZPILDE).
	Nenotiek ūdens pievade vai ūdens krāns ir aizgriezts.	Pārliecinieties, ka ūdens tiek pievadīts un ūdens krāns ir atgriezts.
Trauku mazgājamā mašīnā priekšlaikus pabeidz mazgāšanas ciklu. Displejā redzams: <b>15</b> un ātri mirgo ieslēgšanas/izslēgšanas gaismas diodes indikators	Saliekusies ieplūdes šļūtene.	Pārliecinieties, ka ieplūdes šļūtene nav saliekusies (skatiet sadaļu UZSTĀDĪŠANA), pārprogrammējiet trauku mazgājamo mašīnu un atsāknējiet to.
	Aizsērējis ūdens ieplūdes šļūtenes siets; Ja nepieciešams, iztīriet to.	Pēc tam, kad veikta pārbaude un tīrīšana, izslēdziet un ieslēdziet trauku mazgājamo mašīnu un palaidiet jaunu programmu.
	Izplūdes šļūtene ir novietota pārāk zemu, vai ūdens ieplūst mājas notekūdeņu sistēmā.	Pārbaudiet, vai izplūdes šļūtenes gals atrodas pareizā augstumā (skatiet sadaļu UZSTĀDĪŠANA). Pārbaudiet, vai ūdens neiekļūst mājas notekūdeņu sistēmā, un, ja nepieciešams, uzstādiet gaisa pievades vārstu.
Mazgāšanas līdzekļa noplūde.	Gaiss ūdens pievades sistēmā.	Pārbaudiet, vai ūdens pievades sistēmā nav noplūdes vai citas problēmas, kādēļ notiek gaisa ieplūde.
	Ir atkarīga no izmantotā šķidrā mazgāšanas līdzekļa, un to var uzsvērt, ja ir aktivizēta aizkaves opcija.	Nelielas noplūdes neizraisīs iekārtas darbības traucējumus, un no tām var izvairīties, mainot šķidrā mazgāšanas līdzekļa veidu vai lietojot tabletes.

## Politikas, standarta dokumentāciju, rezerves daļu pasūtīšanu un produktu papildinformāciju var atrast:

- Izmantojot QR kodu uz jūsu ierīces.
- Apmeklējot mūsu tīmekļa vietni [docs.whirlpool.eu/docs](https://docs.whirlpool.eu/docs) un [parts-selfservice.europeanappliances.com](https://parts-selfservice.europeanappliances.com)
- Vai arī **sazinieties ar mūsu pēcārdošanas servisu** (tālruna numurs ir norādīts garantijas grāmatīņā). Sazinoties ar mūsu pēcārdošanas servisu, lūdzu, nosauciet kodus, kas redzami izstrādājuma datu plāksnītē.

Modeļa informāciju var iegūt, izmantojot QR kodu, kas norādīts jaudas uzlīmē. Uzlīmē norādīts arī modeļa identifikators, ko var izmantot, lai skatītu informāciju reģistra portālā: <https://eprel.ec.europa.eu>.

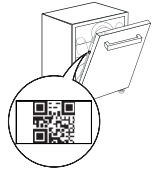


# SNELLE REFERENTIEGIDS HANDLEIDING



**DANK U WEL VOOR UW AANKOOP VAN EEN WHIRLPOOL PRODUCT.**  
Voor verdere assistentie kunt u het apparaat registreren op:  
[www.whirlpool.eu/register](http://www.whirlpool.eu/register)

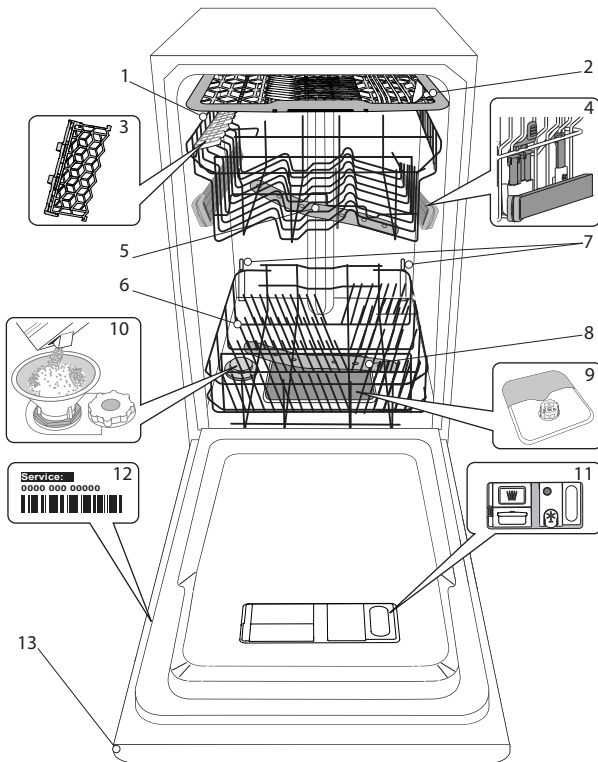
**SCAN DE QR-CODE  
OP UW APPARAAT  
VOOR MEER  
GEDETAILLEERDE  
INFORMATIE**



**!** Lees vóór gebruik van het apparaat de veiligheids- en installatie-instructies zorgvuldig door.

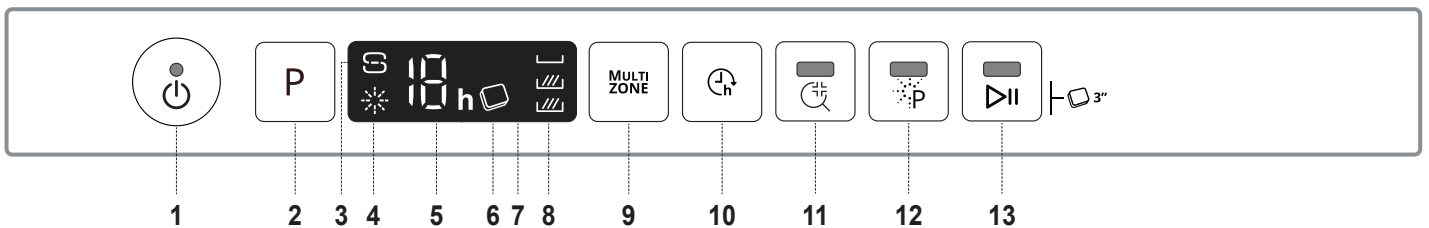
## PRODUCTBESCHRIJVING

### APPARAAT



1. Bovenste rek
2. Besteklade
3. Opvouwbare kleppen
4. Afsteller hoogte bovenste rek
5. Bovenste sproeierarm
6. Onderste rek
7. Power Clean® ondersteuning
8. Onderste sproeierarm
9. Filtersysteem
10. Zoutreservoir
11. Doseerbakjes vaatwasmiddel en glansspoelmiddel
12. Typeplaatje
13. Bedieningspaneel

### BEDIENINGSPANEEL



1. Aan-Uit/Reset-toets met controlelampje
2. Programmakeuzetoets
3. Controlelampje zout bijvullen
4. Controlelampje bijvullen glansspoelmiddel
5. Nummer programma en controlelampje tijd van uitstel
6. Controlelampje tablet (tab)
7. Display
8. Controlelampje Multizone
9. Multizone toets
10. Uitstel toets
11. Desinfecterend Spoelen toets met controlelampje
12. Power Clean® toets met controlelampje
13. Start/Pauze-toets met controlelampje/ Tablet (Tab)

# EERSTE GEBRUIK

## ZOUT, GLANSSPOELMIDDEL EN VAATWASMIDDEL

### ADVIES MET BETREKKING TOT HET EERSTE GEBRUIK

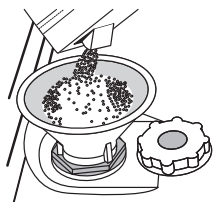
Verwijder na het installeren de stoppen uit de rekken en de elastische borgelementen uit het bovenste rek.

### HET ZOUTRESERVOIR BIJVULLEN

MHet gebruik van zout voorkomt de vorming van KALKAANSLAG op het vaatwerk en op de functionele onderdelen van de machine.

- Het is noodzakelijk dat **HET ZOUTRESERVOIR NOOIT LEEG IS**.
- Het is belangrijk dat de hardheid van het water wordt ingesteld.

Het zoutreservoir bevindt zich in het onderste deel van de afwasmachine (zie *PRODUCTBESCHRIJVING*) en moet worden gevuld wanneer het **controlelampje ZOUT BIJVULLEN** in het bedieningspaneel brandt.



1. Verwijder het onderste rek en draai de dop van het reservoir los (linksom).
2. **Alleen de eerste maal dat u dit doet: vul het zoutreservoir met water.**
3. Plaats de trechter (zie afbeelding) en vul het zoutreservoir tot aan de rand (ongeveer 1 kg); het is niet ongebruikelijk dat er een beetje water uit lekt.
4. Verwijder de trechter en veeg alle zoutresten weg van de opening.

Zorg ervoor dat de dop strak is aangedraaid, zodat geen vaatwasmiddel in de container kan komen tijdens het wasprogramma (dit kan de waterontharder onherstelbaar beschadigen).

**Wanneer u zout moet toevoegen, is u verplicht om de procedure helemaal uit te voeren alvorens de wascyclus te starten om corrosie te voorkomen.**

### DE WATERHARDHEID INSTELLEN

Als u de waterontharder perfect wilt laten werken is het essentieel dat de instelling van de waterhardheid is gebaseerd op de werkelijke waterhardheid in uw huis. Deze informatie kan bij uw lokale waterleverancier worden opgevraagd.

De fabriek stelt de defaultwaarde voor de waterhardheid in.

- Het apparaat inschakelen door op de toets **AAN/UIT** te drukken.
- Het apparaat uitschakelen door op de toets **AAN/UIT** te drukken.
- De toets **P** 5 seconden ingedrukt houden totdat u een piep hoort.
- Het apparaat inschakelen door op de toets **AAN/UIT** te drukken.
- Het huidige niveau nummer van de selectie en het controlelampje van het zout knipperen allebei.
- De toets **P** indrukken om het gewenste hardheidsniveau te selecteren (zie *TABEL WATERHARDHEID*).

Tabel waterhardheid			
Niveau	°dH Duitse graden	°fH Franse graden	°Clark Engelse graden
1	Zacht	0 - 6	0 - 7
2	Gemiddeld	7 - 11	8 - 14
3	Gemiddeld	12 - 16	15 - 20
4	Hard	17 - 34	21 - 42
5	Zeer hard	35 - 50	43 - 62

- Het apparaat uitschakelen door op de toets **AAN/UIT** te drukken.

Instellen is voltooid!

Zodra deze procedure voltooid is voert u een programma zonder lading uit.

**Gebruik alleen zout dat speciaal voor afwasmachines is bestemd.**

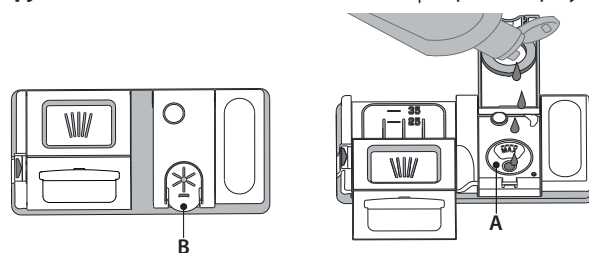
Wanneer het zout in de machine is gestrooid wordt het lampje ZOUT BIJVULLEN uitgeschakeld.

**Als het zoutreservoir niet gevuld wordt, kunnen de waterverzachter en het verwarmingselement beschadigd raken als gevolg van de accumulatie van ketelsteen.**

**Het gebruik van zout wordt aanbevolen met elk type vaatwasmiddel.**

### HET GLANSSPOELMIDDELRESERVOIR BIJVULLEN

Glansspoelmiddel maakt het DROGEN van de vaat gemakkelijker. Het glansspoelmiddelreservoir **A** moet worden gevuld wanneer het **controlelampje GLANSSPOELMIDDEL BIJVULLEN** op het display brandt.



1. Open het doseerbakje B door de tab op het deksel in te drukken en omhoog te trekken.
2. Het glansspoelmiddel zorgvuldig inbrengen tot aan de maximum (110 ml) insteekgleuf van de vulruimte - voorkom morsen. Wanneer dit gebeurt het gemorste glansspoelmiddel onmiddellijk met een droge doek reinigen.
3. Om het te sluiten het deksel naar beneden drukken totdat u een klik hoort.

**Het glansspoelmiddel NOOIT rechtstreeks in de kuip gieten.**

### DE DOSERING GLANSSPOELMIDDEL AANPASSEN

Als u niet volledig tevreden bent over de droogresultaten kunt u de gebruikte hoeveelheid glansspoelmiddel aanpassen.

- De afwasmachine inschakelen met de toets **AAN/UIT**.
- Uitschakelen met de toets **AAN/UIT**.
- Driemaal op de toets **P** drukken - er klinkt een pieptoon.
- Inschakelen met de toets **AAN/UIT**.
- Het huidige niveau nummer van de selectie en het controlelampje van het glansspoelmiddel knipperen.
- De toets **P** indrukken om het niveau van het te leveren glansspoelmiddel te selecteren.
- Uitschakelen met de toets **AAN/UIT**

Instellen is voltooid!

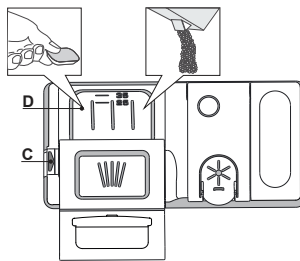
Als het niveau van het glansspoelmiddel is ingesteld op NUL (ECO) zal geen glansspoelmiddel worden afgegeven. Het controlelampje LAAG GLANSSPOELMIDDEL zal niet branden als het glansspoelmiddel op is.

Er kan een maximum van 5 niveaus worden ingesteld, afhankelijk van het model afwasmachine. De fabriekinstelling is specifiek voor het model. Volg de bovenstaande instructies om te controleren of dat ook voor uw machine geldt.

- Als u blauwe strepen op het vaatwerk ziet stel dan een laag getal in (1-2).
- Als er druppels water of kalkaanslag op het vaatwerk zijn stel dan een hoog getal in (3-4).

### HET VAATWASMIDDELDOSEERBAKJE VULLEN

**Gebruik de opening apparaat C om het vaatwasmiddeldoseerbakje te openen. Het vaatwasmiddel alleen in het droge doseerbakje D invoeren. Plaats de hoeveelheid vaatwasmiddel voor voorspoelen direct in de kuip.**



1. Raadpleeg bij het afmeten van het vaatwasmiddel de eerder vermelde informatie om de juiste hoeveelheid toe te voegen. In het doseerbakje D vindt u de aanwijzingen voor het doseren van het vaatwasmiddel.
2. Verwijder de resten vaatwasmiddel van de randen van het doseerbakje en sluit het deksel totdat het klikt.
3. Sluit het deksel van het vaatwasmiddeldoseerbakje door het omhoog te trekken tot het sluitingsmechanisme is vastgezet.

Het vaatwasmiddeldoseerbakje opent automatisch op het juiste moment, volgens het programma. Bij gebruik van alles-in-één vaatwasmiddelen is het raadzaam om de toets **TABLET** te gebruiken, omdat het programma dan zodanig wordt aangepast dat de beste was- en droogresultaten worden bereikt.

**Het gebruik van vaatwasmiddelen die niet bedoeld zijn voor vaatwasmachines kan de slechte werking van het apparaat veroorzaken of het beschadigen.**

# PROGRAMMATABEL

Programma	Drogen fase	NaturalDry	Beschikbare functies *)	Duur van wasprogramma (h:min)*)	Waterverbruik (liter/ cyclus)	Energieverbruik (kWh/ cyclus)
1. Eco Eco 50°	✓	✓	MULTI ZONE	3:40	9,0	0,67
2. 6 <sup>th</sup> Sense® 6 <sup>th</sup> sense 50-60°	✓	✓	MULTI ZONE	1:20 - 3:00	7,0 - 14,0	0,70 - 1,10
3. Intensief 65°	✓	✓	MULTI ZONE	2:45	17,5	1,60
4. Snel wassen en drogen 50°	✓	✓	MULTI ZONE	1:25	11,5	1,10
5. Glaswerk 45°	✓	✓	MULTI ZONE	1:40	12,0	1,20
6. Snel 30' 50°	-	✓	MULTI ZONE	0:30	9,0	0,50
7. Voorspoelen -	-	-	MULTI ZONE	0:10	4,5	0,01
8. Zelfreinigend 65°	-	-		0:50	8,0	0,85

De gegevens van het ECO-programma worden gemeten onder laboratoriumomstandigheden, volgens de Europese norm EN 60436:2020.

Aanwijzing voor de Proeflaboratoria: Voor gedetailleerde informatie over de omstandigheden van de EN-vergelijkingproef kunt u contact opnemen met: [dw\\_test\\_support@europeanappliances.com](mailto:dw_test_support@europeanappliances.com)

Voorbehandeling van het vaatwerk vóór de programma's is niet nodig.

\*) Niet alle opties kunnen tegelijkertijd gebruikt worden.

\*\*) Waarden aangegeven voor andere programma's dan het Eco-programma zijn slechts indicatief. De werkelijke tijd is afhankelijk van vele factoren, zoals de temperatuur en de druk van het toevoerwater, de kamertemperatuur, hoeveelheid vaatwasmiddel, de hoeveelheid en soort lading, evenwicht van de lading, extra gekozen opties en de kalibratie van de sensor. De kalibratie van de sensor kan de duur van het programma met max. 20 min. verlengen.

## BESCHRIJVING PROGRAMMA'S

### Instructies over het selecteren van het wasprogramma.

#### 1 ECO

Het Eco-programma is geschikt voor het reinigen van normaal vervuild vaatwerk, dat voor dit gebruik het meest efficiënte programma is wat betreft de combinatie van energie- en waterverbruik en in overeenstemming is met de Europese Ecodesign-wetgeving.

#### 2 6<sup>th</sup> SENSE®

Voor normaal vervuilde vaat met opgedroogde etensresten. Meet de mate van vervuiling van het serviesgoed af en past het programma dienovereenkomstig aan. Wanneer de sensor de mate van vervuiling meet, verschijnt er een animatie in de display en wordt de cyclusduur aangepast.

#### 3 INTENSIEF

Aanbevolen programma voor sterk vervuild serviesgoed, met name geschikt voor pannen en koekenpannen (mag niet gebruikt worden voor kwetsbare stukken).

#### 4 SNEL WASSEN EN DROGEN

Normaal vervuild serviesgoed. Dagelijkse cyclus, die een optimale reinigende en drogende werking in kortere tijd garandeert.

#### 5 GLASWERK

Programma voor kwetsbare stukken die gevoeliger zijn voor hoge temperaturen, bijvoorbeeld glazen en kopjes.

#### 6 SNEL 30'

Programma dat kan worden gebruikt voor een halve lading licht vervuilde vaat zonder opgedroogde etensresten. Heeft geen droogfase.

#### 7 VOORSPOELEN

Gebruikt om servies vochtig te houden dat later gewassen moet worden. Met dit programma wordt er geen vaatwasmiddel gebruikt.

#### 8 ZELFREINIGEND

Programma te gebruiken voor het onderhoud van de afwasmachine, wordt enkel uitgevoerd wanneer de afwasmachine LEEG is met gebruik van specifieke reinigingsmiddelen die speciaal ontworpen zijn voor het onderhoud van de afwasmachine

#### Opmerkingen:

Gelieve er rekening mee te houden dat de cyclus *Snel 30'* bedoeld is voor licht vervuilde vaat.

# OPTIES EN FUNCTIE

OPTIES kunnen direct worden geselecteerd door het indrukken van de daarbij behorende toets (zie *BEDIENINGSPANEEL*).

**Als een optie niet compatibel is met het geselecteerde programma (zie *PROGRAMMATABEL*) gaat de bijbehorende LED 3 keer snel knipperen en klinken er pieptonen. De optie wordt niet ingeschakeld.**

## MULTI MULTIZONE

**ZONE** Als er niet veel vaatwerk is kan er een programma «halve lading» worden gebruikt, om water, elektriciteit en vaatwasmiddel te besparen. Selecteer het programma en druk daarna op de MULTIZONE-toets: het symbool van het gekozen rek verschijnt op het display. Standaard wast het apparaat vaatwerk in alle rekken. Druk herhaaldelijk op deze toets om alleen in een bepaald rek af te wassen:



verschijnt op het display (alleen onderste rek)



verschijnt op het display (alleen bovenste rek)



verschijnt op het display (alleen bestekmandje)



verschijnt op het display (optie is uitgeschakeld en het apparaat wast het vaatwerk in alle rekken).

**Vergeet niet om alleen het bovenste of onderste rek te laden en de hoeveelheid vaatwasmiddel dienovereenkomstig te verlagen.**

**Als het bovenste rek is verwijderd, breng dan het vaatwasmiddel rechtstreeks in de kuip aan in plaats van in het vaatwasmiddelreservoir.**



## UITSTEL

De starttijd van het programma kan worden uitgesteld voor een periode tussen **1** en **12** uur.

1. De UITSTEL-toets indrukken: het overeenkomstige symbool «h» verschijnt op het display; telkens wanneer u de toets indrukt zal de tijd (1u, 2u, enz. tot max. 12 u) vanaf het begin van het geselecteerde wasprogramma worden verhoogd.
2. Kies het wasprogramma, druk op de toets START/PAUZE en sluit binnen 4 seconden de deur: de timer begint met aftellen.
3. Wanneer de tijd verstreken is, wordt het controlelampje «h» uitgeschakeld en begint het wasprogramma.

Druk op de UITSTEL-toets om de uitsteltijd aan te passen en een kortere periode te selecteren. Om te wissen, druk de toets herhaaldelijk in totdat het controlelampje «h» van de gekozen uitstelstart wordt uitgeschakeld.

**Wanneer er een wasprogramma is gestart, kan de UITSTEL-functie niet meer worden ingesteld.**



## TABLET (Tab)

Met deze instelling kan de prestatie van het programma geoptimaliseerd worden, aan de hand van het afwasmiddel dat gebruikt wordt.

Druk de toets START/PAUSE gedurende 3 seconden in (het bijbehorende symbool gaat branden) als u gecombineerde vaatwasmiddelen in tabletvorm gebruikt (glansspoelmiddel, zout en wasmiddel in 1 dosis).

**Als u poeder of vloeibaar afwasmiddel gebruikt moet deze optie worden uitgeschakeld.**



## POWER CLEAN®

Dankzij de extra krachtige stralen biedt deze functie een intensievere en krachtigere afwasprogramma op de betreffende plek in het onderste rek. Deze functie wordt aanbevolen voor het afwassen van pannen en ovenschalen. Druk op deze toets om POWER CLEAN te activeren (het controlelampje gaat branden).



## DESINFECTEREND SPOELEN

Deze optie wordt gebruikt om de gewassen borden te ontsmetten. Het verhoogt de temperatuur van de laatste spoeling en voegt antibacterieel wassen toe aan het geselecteerde programma. Selecteer het wasprogramma en druk op de toets DESINFECTEREND SPOELEN; het controlelampje gaat branden. Druk dezelfde toets opnieuw in om de optie uit te schakelen. Ideaal voor het reinigen van serviesgoed en zuigflessen. De deur van de afwasmachine moet gedurende de hele duur van het programma gesloten blijven, om de antibacteriële werking te garanderen. Als u de deur opent gaat het lampje knipperen.

**WAARSCHUWING: het serviesgoed en de platen kunnen aan het einde van de cyclus extreem heet zijn.**



## BEDRIJFSCONTROLELAMPJE

Er wordt LED-licht op de vloer geprojecteerd om aan te geven dat de afwasmachine in bedrijf is. Er kan een van de volgende bedrijfsmodussen worden geselecteerd:

- a) Uitgeschakelde functie.
- b) Wanneer de cyclus begint gaat het licht een paar seconden aan, blijft tijdens de cyclus uit en knippert op het einde van de cyclus.
- c) Het licht blijft tijdens de cyclus branden en knippert op het einde van de cyclus (standaard modus).

Als de uitgestelde start was ingesteld gaat het licht voor de eerste paar seconden aan of voor de gehele duur van het aftellen, op basis van of de modus b) of c) was ingesteld. Telkens wanneer de deur wordt geopend gaat het licht uit.

Voor het selecteren van de gewenste modus de machine inschakelen, de toets **P** ingedrukt houden totdat een van de drie letters op het display verschijnt, de toets **P** indrukken totdat u de gewenste letter (of modus) bereikt, de toets **P** i.

**Opmerking: Als NaturalDry actief is en de deur opent, zal de werkingsindicator niet knipperen aan het einde van de cyclus.**

## NaturalDry

*NaturalDry* is een convectiedroogstelsel dat de deur tijdens/na de droogfase automatisch opent om elke dag voor buitengewone droogprestaties te zorgen. De deur gaat open wanneer de temperatuur veilig is voor uw keukenmeubelen, de deur gaat bijgevolg niet open wanneer de optie DESINFECTEREND SPOELEN ingeschakeld is.

Als extra bescherming tegen stoom wordt een speciaal ontworpen beschermingsfolie geleverd met de vaatwasser. Raadpleeg de *INSTALLATIEGIDS* om te zien hoe u de beschermingsfolie aanbrengt.

De *NaturalDry*-functie kan door de gebruiker als volgt worden uitgeschakeld:

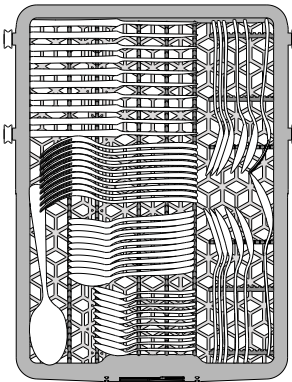
1. Ga naar het software-menu van de afwasmachine door de knop **P** ingedrukt te houden (6 sec).
2. U bevindt zich eerst in het lichtregelmenu (raadpleeg de beschrijving van *BEDRIJFSCONTROLELAMPJE*). Als u niets wilt wijzigen, houd dan de knop **P** ingedrukt (tot een van de twee letters op het display verschijnt).
3. U bent overgeschakeld naar het *NaturalDry*-bedieningsmenu. U kunt de status van de *NaturalDry*-functionaliteit wijzigen door op de knop **P** te drukken:

**E** – ingeschakeld                      **d** – uitgeschakeld

Om de wijziging te bevestigen en het bedieningsmenu te verlaten, houd de knop **P** ingedrukt (3 sec).

# REKKEN VULLEN

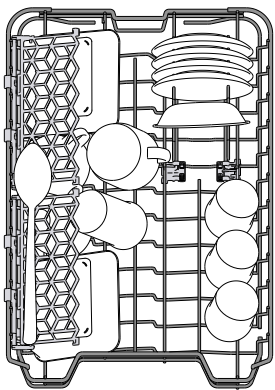
## BESTEKLADDE



Het derde rek werd ontworpen om het bestek te herbergen. Rangschik het bestek zoals op de afbeelding. Een aparte rangschikking voor het bestek maakt het oppakken na de afwas eenvoudiger en verbetert de was- en droogprestaties.

**Messen en andere gebruiksvoorwerpen met scherpe randen moeten worden geplaatst met de punten naar beneden gericht.**

## BOVENSTE REK



Laden van kwetsbaar en licht vaatwerk: glazen, kopjes, schoteltjes, lage saladekommen.

Het bovenste rek heeft opklapbare steunen die in een verticale positie kunnen worden gebruikt bij het schikken van thee/dessertschoteltjes of in een lagere positie om kommen en schalen te laden.

(laadvoorbeeld voor het bovenste rek)

## DE HOOGTE VAN HET BOVENSTE REK AFSTELLEN

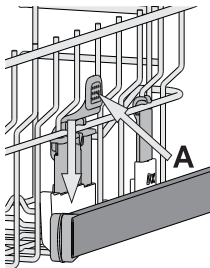
De hoogte van het bovenste rek kan worden afgesteld: hoge stand voor groot serviesgoed in de onderste mand en lage stand om optimaal gebruik te maken van de opklapbare steunen, door het creëren van meer ruimte naar boven en botsen met de items die in het onderste rek zijn geladen te voorkomen.

Het bovenste rek is uitgerust met een **hoogteversteller bovenste rek** (zie afbeelding), zonder op de hefboomen te hoeven drukken, opheffen door gewoon de zijkanten van het rek vast te houden, zodra het rek stabiel in de bovenste positie staat.

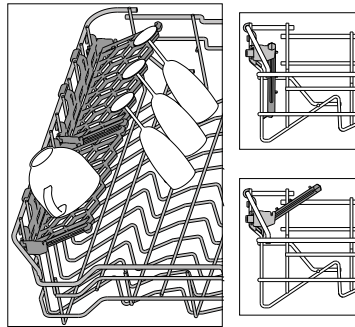
Voor herstellen naar de lagere positie op de hefboomen **A** aan de zijkanten van het rek drukken en de mand naar beneden verplaatsen.

**Het is raadzaam de hoogte van het rek niet aan te passen wanneer het is geladen.**

**NOOIT de mand slechts aan één kant verhogen of verlagen.**



## OPVOUWBARE KLEPPEN MET VERSTELBARE STAND



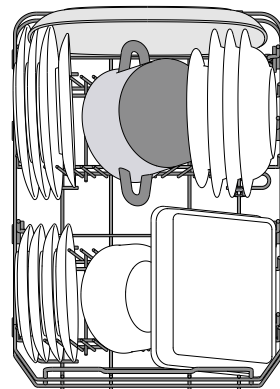
De opvouwbare kleppen aan de zijkant kunnen worden opgevouwen of opengevouwen voor een optimale rangschikking van het serviesgoed in het rek.

Wijn glazen kunnen veilig in de opvouwbare kleppen worden geplaatst door de steel van elk glas in de overeenkomstige sleuven in te voeren.

Afhankelijk van het model:

- om de kleppen open te vouwen moet u ze omhoog schuiven en roteren of ze losmaken van de klemmen en omlaag trekken.
- om de kleppen op te vouwen moet u ze roteren en omlaag schuiven of ze omhoog trekken en aan de klemmen vastmaken.

## ONDERSTE REK



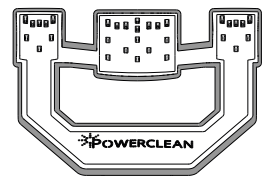
Voor potten, deksels, platen, saladekommen, bestek enz. Grote platen en deksels moeten idealiter aan de zijkanten worden geplaatst, om aanraking met de sproeierarmen te voorkomen.

Het onderste rek heeft opklapbare steunen die in een verticale positie kunnen worden gebruikt bij het schikken van platen of in een horizontale positie (lager) om pannen en saladekommen te laden.

(laadvoorbeeld voor het onderste rek)

## POWER CLEAN IN ONDERSTE REK

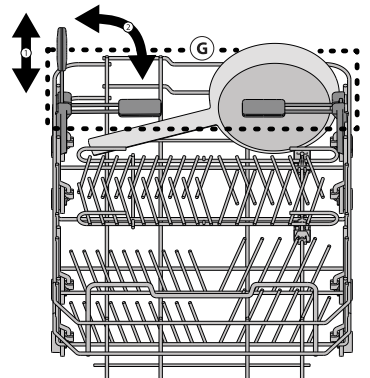
Power Clean® maakt gebruik van speciale waterstralen aan de achterzijde van de ruimte voor een intensievere reiniging van zeer vuile items. Het onderste rek heeft een lege ruimte, een speciale uittrekbare steun aan de achterzijde van het rek, die kan worden gebruikt ter ondersteuning van koekenpannen of braadpannen in verticale positie, zodat ze minder ruimte in beslag nemen.



Activeer POWER CLEAN op het paneel tijdens het plaatsen van de pannen/ ovenschalen tegenover het Power Clean® component.

Power Clean® gebruiken:

1. Pas het Power Clean gebied (G) aan door de achterste bordenhouders omlaag te klappen om potten en pannen te laden.
2. Laad potten, pannen en schalen verticaal gekanteld in het Power Clean gebied. Potten en pannen moeten naar de krachtige waterstralen toe gekanteld worden.



# DAGELIJKS GEBRUIK

## 1. WATERAANSLUITING CONTROLEREN

Controleer of de wasmachine is aangesloten op de waterleiding en of de waterkraan open is.

## 2. DE AFWASMACHINE INSCHAKELLEN

Open de deur en druk op de toets **AAN/UIT**.

## 3. DE REKKEN VULLEN

(zie **REKKEN VULLEN**)

## 4. HET VAATWASMIDDELMIDDELDOSEERBAKJE VULLEN

## 5. HET PROGRAMMA KIEZEN EN DE CYCLUS AANPASSEN

Selecteer het meest geschikte programma in overeenstemming met het soort serviesgoed en het niveau van vervuiling (zie **BESCHRIJVING PROGRAMMA**) door de **P**-toets in te drukken. Selecteer de gewenste opties (zie **OPTIES EN FUNCTIES**).

## 6. START

Start het de wascyclus door op de **START/Pauze**-toets (het led-lampje brandt) te drukken en de deur binnen 4 seconden te sluiten. U hoort een enkele piep wanneer het programma start.

Als de deur niet binnen 4 seconden is gesloten, hoort u een geluid ter waarschuwing. Open in dat geval de deur, druk op de **START/Pauze**-toets en sluit de deur weer binnen 4 seconden.

## 7. EINDE VAN HET WASPROGRAMMA

Het einde van de wascyclus wordt aangegeven door pieptonen en door knipperen van het nummer van de wascyclus op het display. De deur openen en het apparaat uitschakelen door op de toets **AAN/UIT** te drukken.

Een paar minuten wachten voordat het serviesgoed wordt verwijderd - om brandwonden te voorkomen. De rekken uitladen, te beginnen met het onderste rek.

**De machine wordt tijdens bepaalde langere perioden van inactiviteit automatisch uitgeschakeld, om het elektriciteitsverbruik te minimaliseren. Als het serviesgoed slechts licht bevuild is of als het voordat het in de afwasmachine wordt geplaatst met water is afgespoeld kan de hoeveelheid vaatwasmiddel dienovereenkomstig worden verminderd.**

## WIJZIGEN VAN EEN LOPEND PROGRAMMA

Als u een verkeerd programma heeft gekozen, kunt u het programma wijzigen mits het net is begonnen: open de deur en houd de **AAN/UIT**-toets ingedrukt. De machine wordt uitgeschakeld.

Schakel de machine weer in met de **AAN/UIT**-toets en selecteer het nieuwe wasprogramma en eventuele gewenste opties; start de wascyclus door de **START/Pauze**-toets in te drukken en de deur te sluiten binnen 4 seconden.

## EXTRA SERVIESGOED TOEVOEGEN

Open de deur (**START/Pauze**-ledlampje begint te knipperen) zonder de machine uit te schakelen (pas op voor hete stoom!) en plaats het serviesgoed in de afwasmachine. Druk op de **START/Pauze**-toets en sluit de deur binnen 4 seconden. Het programma gaat verder vanaf het punt waarop het was onderbroken.

## ONGEWENSTE ONDERBREKINGEN

Als de deur geopend wordt tijdens de wascyclus, of als er sprake is van een stroomonderbreking, stopt het programma. Om de cyclus te hernemen vanaf het punt waarop het was onderbroken, drukt u op de **START/Pauze**-toets-knop en sluit u de deur binnen 4 seconden.

# ADVIEZEN EN TIPS

## ADVIEZEN

Verwijder alvorens de manden te laden alle voedselresten uit het serviesgoed en leeg de glazen. **Het serviesgoed hoeft niet tevoren onder stromend water afgespoeld te worden.**

Het serviesgoed zo rangschikken dat het stevig op zijn plaats staat en niet omslaat; rangschik de containers met de openingen naar beneden gericht en de holle/bolle onderdelen schuin geplaatst, waardoor het water elk oppervlak kan bereiken en vrij kan stromen.

**Waarschuwing:** zorg ervoor dat deksels, grepen, platen en koekenpannen de sproeierarmen niet belemmeren bij het draaien.

Plaats geen kleine voorwerpen in de bestekmand.

Erg vervuild vaatwerk en pannen moeten in de onderste mand worden geplaatst, omdat in deze ruimte de watersproeiers sterker zijn en hogere wasprestaties hebben.

Zorg ervoor dat na het laden van het apparaat de sproeierarmen vrij kunnen draaien.

## ONGESCHIKT SERVIESGOED

- Houten servies en bestek.
- Kwetsbare gedecoreerde glazen, artistiek handwerk en antiek serviesgoed. Hun decoraties zijn hier niet tegen bestand.
- Delen van synthetisch materiaal die niet bestand zijn tegen hoge temperaturen.
- Koperen en tinnen serviesgoed.
- Serviesgoed bevuild met as, was, smeervet of inkt.

De kleuren van glasdecoraties en aluminium/zilveren stukken kunnen wijzigen en vervagen tijdens het wasproces. Sommige soorten glas (bv. kristallen voorwerpen) kunnen na een aantal wascyclussen ook dof worden.

## SCHADE AAN GLASWERK EN SERVIESGOED

- Gebruik alleen glas en porselein waarvan de fabrikant garandeert dat het veilig is voor de afwasmachine.
- Gebruik een zacht vaatwasmiddel dat geschikt is voor serviesgoed.
- Haal glazen en bestek uit de afwasmachine zodra het wasprogramma afgelopen is.

## TIPS VOOR ENERGIEBESPARING

- Wanneer de huishoudelijke vaatwasmachine gebruikt wordt volgens de aanwijzingen van de fabrikant, **verbruikt het wassen van vaatwerk in een vaatwasmachine gewoonlijk MINDER ENERGIE en water dan met de hand afwassen.**
- Om de efficiëntie van de vaatwasmachine te maximaliseren wordt aanbevolen om **de wascyclus eerst te starten wanneer de vaatwasmachine helemaal gevuld is.** De huishoudelijke vaatwasmachine vullen tot de hoeveelheid aangegeven door de fabrikant draagt bij tot het besparen van energie en water. Informatie over het correct laden van vaatwerk vindt u in het hoofdstuk **DE REKKEN VULLEN**. Als de machine gedeeltelijk is gevuld, wordt aanbevolen om de speciaal daarvoor bedoelde wasopties, indien voorzien, te gebruiken (Halve lading/ Zone Wash/ Multizone) en enkel geselecteerde rekken te vullen. De vaatwasmachine onjuist of overmatig vullen kan het gebruik van de hulpbronnen verhogen (zoals water, energie en tijd, en ook het geluidsniveau) en de reinigings- en droogprestaties verlagen.
- Vaatwerk vooraf met de hand spoelen verhoogt het water- en energieverbruik en wordt niet aanbevolen.

## HYGIËNE

Om te voorkomen dat zich geur en afzetting ophoopt in de afwasmachine moet u ten minste één per maand een programma met hoge temperatuur laten draaien. Gebruik een theelepel vaatwasmiddel en laat het apparaat zonder lading draaien.

# REINIGING EN ONDERHOUD

## HET FILTERSISTEEM REINIGEN

einig het filtersysteem regelmatig, zodat de filters niet verstopten en het afvalwater correct weg stroomt.

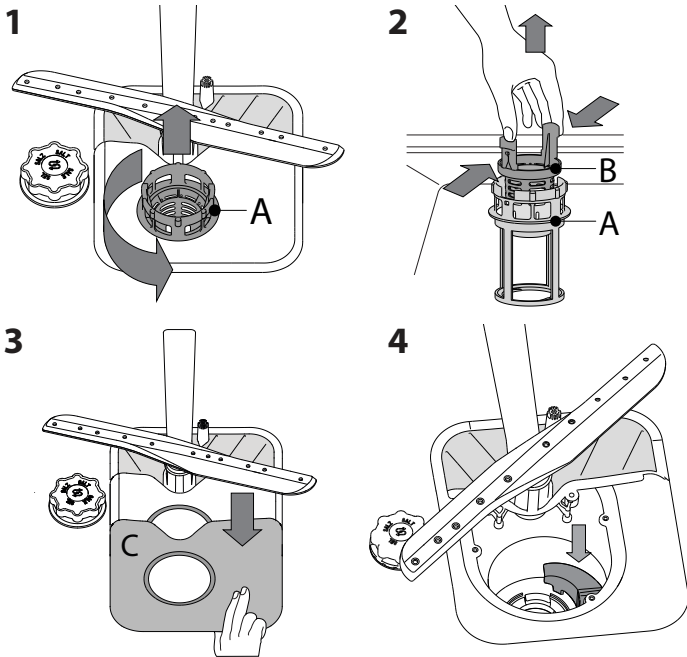
Het gebruik van vaatwasmachines met verstopte filters of vreemde voorwerpen in het filtersysteem of de sproeiarmen kan de slechte werking ervan en bijgevolg lagere prestaties, lawaai of een hoger verbruik van hulpbronnen veroorzaken.

Het filtersysteem bestaat uit drie filters die voedselresten uit het afwaswater verwijderen en vervolgens het water opnieuw laten circuleren.

**De afwasmachine mag niet worden gebruikt zonder filters of als het filter is losgeraakt.**

Controleer tenminste eens per maand of na elke 30 cyclussen het filtersysteem en reinig het eventueel grondig onder stromend water, met een niet-metalen borstel en volgens de onderstaande instructies:

1. Draai het cilindrische filter **A** linksom en trek het uit (Afb. 1).
2. Verwijder het houderfilter **B** door licht op de zijkleppen te drukken (Afb. 2).
3. Schuif de roestvrij stalen plaat filter **C** er uit (Afb. 3).
4. Als u vreemde voorwerpen vindt (gebroken glas, porselein, beenderen, zaden van vruchten, enz.), **verwijdert u ze zorgvuldig**.
5. Inspecteer de sifon en verwijder eventuele voedselresten. **VERWIJDER NOOIT** de pompbescherming van het wasprogramma (zwart detail) (Afb. 4).



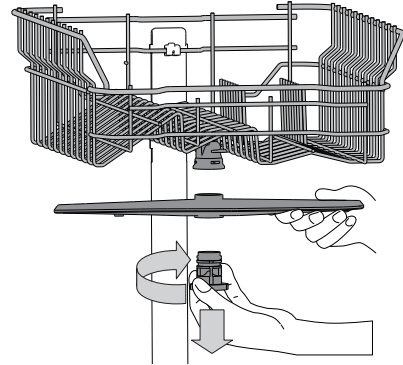
Na het schoonmaken van het filter het filtersysteem opnieuw plaatsen en goed op zijn plaats zetten; dit is essentieel voor het behoud van de efficiënte werking van de afwasmachine.

## DE TOEVOERSLANG REINIGEN

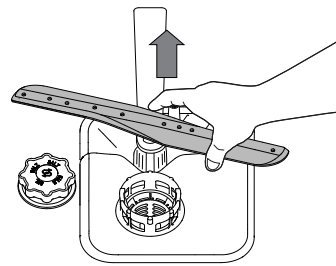
Als de waterslangen nieuw zijn of een langere periode niet zijn gebruikt laat dan, voordat de benodigde aansluitingen worden uitgevoerd, het water lopen, om ervoor te zorgen het helder is en vrij van onzuiverheden. Als deze voorzorgsmaatregel niet wordt genomen kan de waterinlaat geblokkeerd worden en kan de afwasmachine beschadigd raken.

## DE SPROEIERARMEN REINIGEN

Af en toe kunnen er voedselresten op de sproeiarmen vastzitten en worden de openingen voor het water sproeien geblokkeerd. Het is daarom raadzaam dat u de armen van tijd tot tijd controleert en ze met een kleine niet-metalen borstel schoonmaakt.



Voor het verwijderen van de bovenste sproeiarm de kunststof borsting rechtsom draaien. De bovenste sproeiarm moet worden vervangen, zodat de zijde met het grotere aantal openingen naar boven is gericht.



De onderste sproeiarm kan worden verwijderd door het omhoog te trekken.

## WATERVERZACHTEND SYSTEEM

Waterverzachters reduceren automatisch de waterhardheid en voorkomen bijgevolg ketelsteenvorming op de verwarmers en dragen bij tot een efficiëntere reiniging.

**Dit systeem wordt automatisch met zout geregenereerd, u dient dus het zoutreservoir te vullen wanneer het leeg is.**

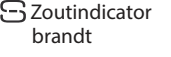

De frequentie van de regeneratie hangt af van de instelling van het waterhardheidsniveau - de regeneratie wordt uitgevoerd om de **6** Eco-cyclussen met het waterhardheidsniveau ingesteld op **3**.

Het regeneratieproces start tijdens de laatste spoeling en eindigt tijdens de droogfase, voordat de cyclus beëindigt.

- Eén enkele regeneratie verbruikt: ~3,5 liter water;
- Doet de cyclus 5 minuten langer duren;
- Verbruikt minder dan 0,005 kWh energie.

# PROBLEMEN OPLOSSEN

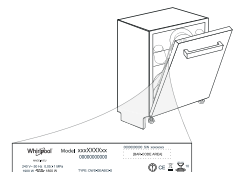
Als uw vaatwasmachine niet goed werkt, doorloopt u de onderstaande lijst om te controleren u of u het probleem kunt verhelpen. Voor andere fouten of problemen neemt u contact op met de bevoegde Consumentenservice, de contactgegevens ervan vindt u in de garantieboekje. Reserveonderdelen zijn beschikbaar voor een periode van maximaal 7 of maximaal 10 jaar, afhankelijk van de regels die van toepassing zijn.

PROBLEMEN	MOGELIJKE OORZAKEN	OPLOSSINGEN
 Zoutindicator brandt	Zoutreservoir is leeg. (Na het bijvullen kan het controlelampje van het zoutniveau blijven branden gedurende een aantal afwascycli).	Vul reservoir bij met zout (voor meer informatie - raadpleeg pagina 2). Pas de waterhardheid aan - zie tabel, pagina 2.
 Glansspoelmiddelindicator brandt	Glansspoelmiddelreservoir is leeg. (Na het bijvullen kan het controlelampje van het glansspoelmiddel blijven branden gedurende een aantal afwascycli).	Vul reservoir bij met glansspoelmiddel (voor meer informatie - raadpleeg pagina 2).
De afwasmachine start niet of reageert niet op opdrachten.	Het apparaat is niet goed aangesloten.	Steek de stekker in het stopcontact.
	Stroomuitval.	Om veiligheidsredenen wordt de vaatwasmachine niet automatisch opnieuw gestart wanneer er opnieuw stroom is. Open de deur van de vaatwasmachine, druk op de START/Pauze-toets en sluit de deur binnen 4 sec.
	De deur van de afwasmachine is niet goed gesloten.	De deur krachtig aanduwen totdat u de „klik“ hoort.
	De cyclus wordt onderbroken als de deur > 4 seconden wordt geopend.	Druk op START/Pauze en sluit de deur binnen 4 seconden.
De afwasmachine reageert niet op opdrachten. Weergave op het display: <b>9</b> of <b>12</b> en de AAN/UIT-led knippert snel	Het toestel uitschakelen door de knop AAN/UIT in te drukken, na ongeveer een minuut weer inschakelen en het programma opnieuw starten. Als het probleem aanblijft, trekt u de stekker van het apparaat 1 minuut lang uit, breng dan de stekker terug in..	
De afwasmachine pompt niet af. Weergave op het display: <b>3</b> en de AAN/UIT-led knippert snel.	Het wasprogramma is nog niet klaar.	Wacht totdat het wasprogramma klaar is.
	Er zit een knik in de afvoerslang.	Controleer of er geen knik zit in de afvoerslang (zie <i>INSTALLATIEGIDS</i> ).
	De pijp van de gootsteenafvoer is geblokkeerd.	Reinig de pijp van de gootsteenafvoer.
De afwasmachine maakt veel lawaai.	Het filter is verstopt met voedselresten	Reinig het filter (zie <i>HET FILTERSISTEEM REINIGEN</i> ).
	Het vaatwerk rammelt tegen elkaar.	Rangschik het serviesgoed goed (zie <i>REKKEN VULLEN</i> ).
Het vaatwerk is niet schoon.	Er is een bovenmatige hoeveelheid schuim geproduceerd.	Het vaatwasmiddel is niet goed afgemeten of het is niet geschikt voor gebruik in afwasmachines (zie <i>REKKEN VULLEN</i> ). Start de actuele wascyclus opnieuw: schakel de afwasmachine UIT, vervolgens terug in, selecteer een nieuw programma, druk op START/Pauze en sluit de deur binnen 4 seconden. Voeg geen vaatwasmiddel toe.
	Het serviesgoed is niet goed gerangschikt.	Rangschik het serviesgoed goed (zie <i>REKKEN VULLEN</i> ).
	De sproeierarmen kunnen niet vrij draaien, ze worden door het vaatwerk belemmerd.	Rangschik het serviesgoed goed (zie <i>REKKEN VULLEN</i> ).
	Het wasprogramma is te zacht.	Selecteer een geschikt wasprogramma (zie <i>PROGRAMMATABEL</i> ).
	Er is een bovenmatige hoeveelheid schuim geproduceerd.	Het vaatwasmiddel is niet goed afgemeten of het is niet geschikt voor gebruik in afwasmachines.
	De dop op het glansspoelmiddelcompartiment is niet correct afgesloten.	Zorg ervoor dat de dop van het glansspoelmiddelbakje is gesloten.
De afwasmachine vult zich niet met water. Weergave op het display: <b>H</b> , <b>6</b> en de AAN/UIT-led knippert snel.	Het filter is bevuild of verstopt.	Reinig het filtersysteem (zie <i>VERZORGING EN ONDERHOUD</i> ).
	Er is geen zout.	Vul het zoutreservoir (zie <i>HET ZOUTRESERVOIR BIJVULLEN</i> ).
	Geen water in de watertoevoer of de kraan is gesloten.	Zorg ervoor dat er water in de watertoevoer komt of dat de kraan loopt.
De vaatwasmachine beëindigt de cyclus voortijdig. Weergave op het display: <b>15</b> en de AAN/UIT-led knippert snel.	Er zit een knik in de toevoerslang.	Controleer of er geen knik in de toevoerslang zit (zie <i>INSTALLATIE</i> ), de afwasmachine herprogrammeren en rebooten.
	De zeef in de watertoevoerslang is verstopt; het moet gereinigd worden.	Na het controleren en reinigen, de afwasmachine uitschakelen en inschakelen en een nieuw programma starten.
De vaatwasmachine beëindigt de cyclus voortijdig. Weergave op het display: <b>15</b> en de AAN/UIT-led knippert snel.	De afvoerslang bevindt zich te laag of heveling in het huishoudelijke afvalwatersysteem.	Controleer of het uiteinde van de afvoerslang zich op de juiste hoogte bevindt (zie <i>INSTALLATIE</i> ). Controleer de heveling in het huishoudelijke afvalwatersysteem, installeer zo nodig een luchttoevoer klep.
	Lucht in watertoevoer.	Controleer de watertoevoer op lekken of andere problemen die lucht inlaten.
Lekkage van vaatwasmiddel.	Is afhankelijk van het gebruikte vloeibare vaatwasmiddel en kan duidelijker optreden als de uitsteloctie geactiveerd is.	Kleine lekkages veroorzaken geen storing van de machine en kunnen worden voorkomen door het type vloeibaar vaatwasmiddel te veranderen of tabletten te gebruiken.

## De bedrijfsregels, standaarddocumentatie, bestellen van onderdelen en aanvullende productinformatie kunt u vinden:

- Met de QR-code op uw product.
- Op onze website [docs.whirlpool.eu/docs](https://docs.whirlpool.eu/docs) en [parts-selfservice.europeanappliances.com](https://parts-selfservice.europeanappliances.com)
- Anders, **contacteer onze Klantenservice** (Het telefoonnummer staat in het garantieboekje). Wanneer u contact neemt met de Klantenservice, gelieve de codes te vermelden die op het identificatieplaatje van het apparaat staan.

De modelinformatie kan gevonden worden aan de hand van de QR-code die op het energielabel aangegeven is. Het label bevat ook de model-ID die kan worden gebruikt om het portaal van het register te raadplegen op <https://eprel.ec.europa.eu>.



# INSTRUKCJA CODZIENNEJ EKSPLOATACJI



**DZIĘKUJEMY ZA ZAKUP PRODUKTU WHIRLPOOL.**  
Aby uzyskać kompleksową pomoc, prosimy zarejestrować urządzenie na stronie: [www.whirlpool.eu/register](http://www.whirlpool.eu/register).



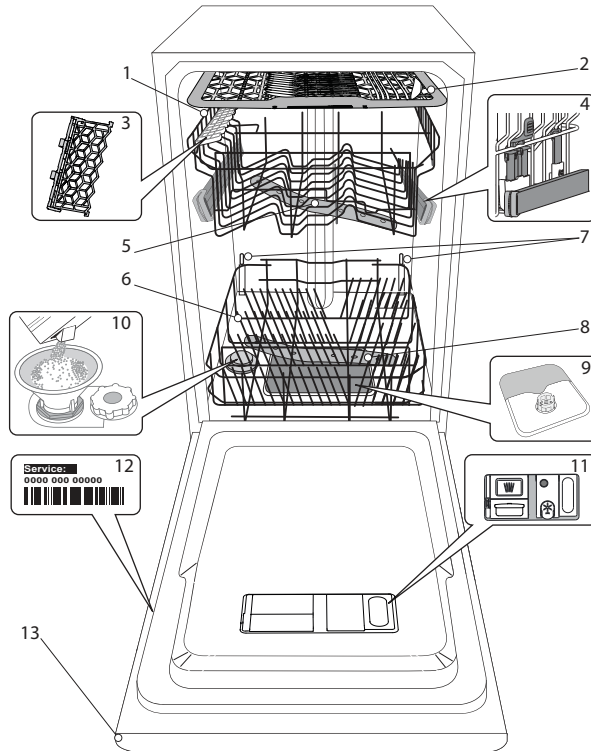
Przez użyciem urządzenia przeczytać uważnie Instrukcję bezpieczeństwa.

**ZESKANUJ KOD QR NA SWOIM  
URZĄDZENIU, ABY UZYSKAĆ  
BARDZIEJ SZCZEGÓLWE  
INFORMACJE.**



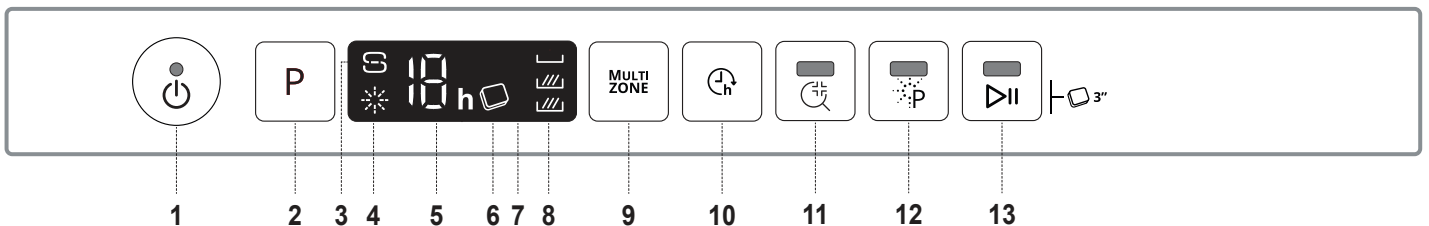
## OPIS PRODUKTU

### URZĄDZENIE



1. Górny kosz
2. Półka-kosz na sztućce
3. Składane półeczki
4. Regulator wysokości górnego kosza
5. Górne ramię natryskowe
6. Dolny kosz
7. Wsporniki Power Clean®
8. Dolne ramię natryskowe
9. Zespół filtra
10. Zbiornik soli
11. Dozowniki detergentu i płynu nabłyszczającego
12. Tabliczka znamionowa
13. Panel sterowania

### PANEL STEROWANIA



1. Przycisk i kontrolka Wł.-Wył./Reset
2. Przycisk wyboru programu
3. Kontrolka „Brak soli”
4. Kontrolka „Brak płynu nabłyszczającego”
5. Numer programu i wskaźnik „Opóźnienia”
6. Kontrolka „Tabletki”
7. Wyświetlacz
8. Kontrolka „Multizone”
9. Przycisk „Multizone”
10. Przycisk „Opóźnienie”
11. Przycisk i kontrolka „Sani Płukanie”
12. Przycisk i kontrolka „Power Clean®”
13. Przycisk i kontrolka „START/Pauza” / „Tabletka (Tab)”

# PIERWSZE UŻYCI SÓL DO ZMYWAREK, DODATKI DO PŁUKANIA I DETERGENT

## WSKAZÓWKI DOTYCZĄCE PIERWSZEGO UŻYCIA URZĄDZENIA

Po zainstalowaniu urządzenia należy wyjąć ograniczniki z koszy oraz elastyczne elementy mocujące z górnego kosza.

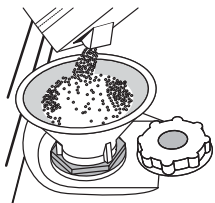
### NAPEŁNIANIE ZBIORNIKA SOLI

Zastosowanie soli zapobiega tworzeniu się KAMIENIA na naczyniach i funkcjonalnych podzespołach zmywarki.

• Konieczne jest, aby **ZBIORNIK SOLI NIGDY NIE BYŁ PUSTY**.

• Ważne też jest odpowiednio ustawić twardości wody.

Zbiornik soli znajduje się w dolnej części zmywarki (patrz OPIS PRODUKTU), i powinien zostać napełniony, gdy na panelu sterowania świeci się kontrolka **BRAK SOLI**.



1. Wyjąć dolny kosz i odkręcić korek zbiornika (w kierunku przeciwnym do ruchu wskazówek zegara).
2. **Tylko podczas wykonywania czynności po raz pierwszy: Napełnić zbiornik soli wodą.**
3. Umieścić lejek (patrz rys.) i wsypać sól aż do krawędzi zbiornika (około 1 kg); niewielki wyciek wody jest tu normalny.
4. Wyjąć lejek i wytrzeć resztki soli wokół otworu.

Upewnić się, czy korek jest mocno dokręcony, aby detergent nie mógł przedostać się do zbiornika podczas programu zmywania (mogłoby to spowodować nienaprawialne uszkodzenie zmiękczacza wody).

**Jeśli trzeba uzupełnić ilość soli w urządzeniu, należy wykonać tę czynność przed rozpoczęciem cyklu zmywania aby uniknąć korozji.**

### USTAWIENIE TWARDOŚCI WODY

Aby zmiękczacze wody działał idealnie, istotne jest ustalenie twardości wody na podstawie rzeczywistej twardości doprowadzanej wody. Tę informację można uzyskać od lokalnego dostawcy wody.

Ustawienie fabryczne to domyślna wartość dla twardości wody.

- Włączyć urządzenie, naciskając przycisk **WŁ./WYŁ.**
- Wyłączyć urządzenie, naciskając przycisk **WŁ./WYŁ.**
- Przytrzymać przycisk **P** przez 5 sekund, aż będzie słychać sygnał dźwiękowy.
- Włączyć urządzenie, naciskając przycisk **WŁ./WYŁ.**
- Wybrany aktualnie numer poziomu twardości oraz kontrolka **BRAK SOLI** migają jednocześnie.
- Wcisnąć przycisk **P**, by wybrać żądany poziom twardości (patrz **TABELA TWARDOŚCI WODY**).

Tabela twardości wody				
Poziom	°dH St. niemieckie	°fH St. francuskie	°Clark St. brytyjskie	
				1
2	Średnia	7 - 11	11 - 20	8 - 14
3	Przeciętna	12 - 16	21 - 29	15 - 20
4	Twarda	17 - 34	30 - 60	21 - 42
5	Bardzo twarda	35 - 50	61 - 90	43 - 62

- Wyłączyć urządzenie, naciskając przycisk **WŁ./WYŁ.**

Ustawienie zostało wykonane!

Po zakończeniu tych czynności włączyć program bez wkładania naczyń.

**Należy stosować wyłącznie taką sól, która jest specjalnie przeznaczona do zmywarek.**

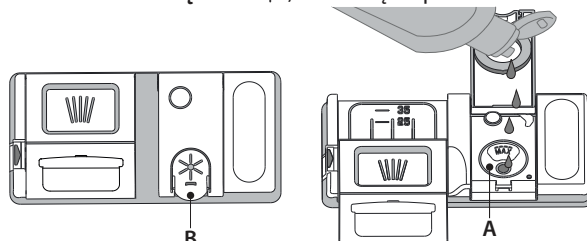
Po wsypaniu soli do zmywarki kontrolka **BRAK SOLI** gaśnie.

**Jeśli pojemnik z solą jest pusty, istnieje ryzyko uszkodzenia zmiękczacza wody oraz grzałki z powodu nagromadzenia osadu.**

**Stosowanie soli jest zalecane z każdym rodzajem detergentu do zmywarek.**

## NAPEŁNIANIE DOZOWNIKA PŁYNU NABŁYSZCZAJĄCEGO

Płyn nabłyszczający ułatwia **SUSZENIE** naczyń. Dozownik płynu nabłyszczającego **A** powinien zostać napełniony, gdy kontrolka **BRAK PŁYNU NABŁYSZCZAJĄCEGO** ✨, świeci się na panelu sterowania.



1. Otworzyć dozownik **B**, naciskając i podnosząc klapkę na pokrywie.
2. Ostrożnie wlewać płyn nabłyszczający, aż do kreski oznaczającej maksymalny poziom napełnienia (110 ml) - unikać rozlania płynu. Jeśli tak się stanie, należy natychmiast wytrzeć rozlany płyn suchą szmatką.
3. Zatrzasnąć pokrywę.

**NIGDY nie wlewać płynu nabłyszczającego bezpośrednio do komory zmywarki.**

### REGULACJA DOZOWANIA PŁYNU NABŁYSZCZAJĄCEGO

Jeśli rezultaty suszenia nie są w pełni zadowalające, można wyregulować dozowanie używanego płynu nabłyszczającego.

- Włączyć zmywarkę za pomocą przycisku **WŁ./WYŁ.**
- Wyłączyć urządzenie za pomocą przycisku **WŁ./WYŁ.**
- Nacisnąć trzykrotnie przycisk **P** - będzie słychać sygnał dźwiękowy.
- Włączyć ją za pomocą przycisku **WŁ./WYŁ.**
- Miga wybrany aktualnie numer poziomu nabłyszczacza oraz kontrolka **BRAK PŁYNU NABŁYSZCZAJĄCEGO**.
- Nacisnąć przycisk **P**, aby wybrać poziom dozowania płynu nabłyszczającego.
- Wyłączyć urządzenie za pomocą przycisku **WŁ./WYŁ.**

Ustawienie zostało wykonane!

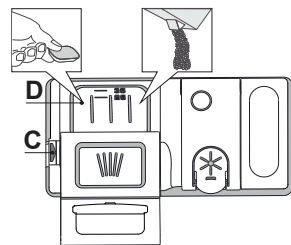
Jeśli poziom dozowania płynu nabłyszczającego został ustawiony na **ZERO (ECO)**, płyn nabłyszczający nie będzie dozowany. Kontrolka **BRAK PŁYNU NABŁYSZCZAJĄCEGO** nie będzie świecić, jeśli zabraknie płynu nabłyszczającego.

Można ustawić maksymalnie 5 poziomy, zależnie od modelu zmywarki. Ustawienia fabryczne zależą od modelu urządzenia. Aby sprawdzić ustawienia posiadanej zmywarki, należy postąpić według instrukcji powyżej.

- Jeśli na naczyniach są widoczne niebieskawe smugi, należy ustawić niski poziom (1-2).
- Jeśli na naczyniach pozostają krople wody lub oznaki kamienia, należy ustawić wysoki poziom (3-4).

### NAPEŁNIANIE DOZOWNIKA DETERGENTU

**Aby otworzyć dozownik detergentu, użyć urządzenia do otwierania C. Detergent wsypywać/wlewać tylko do suchego zasobnika D. Detergent przeznaczony do mycia wstępnego wsypywać/wlewać bezpośrednio do komory zmywarki.**



1. Odmierzając dawkę detergentu, należy uwzględnić informacje podane powyżej, aby dodana ilość detergentu była prawidłowa. Wewnątrz dozownika **D** znajdują się oznaczenia ułatwiające dozowanie detergentu.
2. Przed zatrzaśnięciem pokrywy usunąć pozostałości detergentu z krawędzi dozownika.
3. Zamknąć pokrywę dozownika detergentu, pociągając ją w górę tak, aż urządzenie zamykające zostanie zablokowane na swoim miejscu.

Dozownik detergentu otwiera się automatycznie w odpowiednim czasie, zgodnie z danym programem.

Jeśli używany jest detergent typu „all-in-one” zalecamy używanie przycisku **TABLETKI**, ponieważ wtedy zostanie wybrany program pozwalający na osiągnięcie najlepszych rezultatów mycia i suszenia za każdym razem.

**Zastosowanie detergentów nieprzeznaczonych do użytku w zmywarkach może spowodować nieprawidłowe działanie lub uszkodzenie urządzenia.**

# TABELA PROGRAMÓW

Program	Faza suszenia NaturalDry	Dostępne opcje *)	Czas trwania programu zmywania (godz.:min)**)	Zużycie wody (litry/cykl)	Zużycie energii (kWh/cykl)
1. Eko Eco 50°	✓ ✓	MULTI ZONE	3:40	9,0	0,67
2. 6 <sup>th</sup> Sense® 50-60°	✓ ✓	MULTI ZONE	1:20 - 3:00	7,0 - 14,0	0,70 - 1,10
3. Intensywny	✓ ✓	MULTI ZONE	2:45	17,5	1,60
4. Szybkie mycie i suszenie	✓ ✓	MULTI ZONE	1:25	11,5	1,10
5. Kryształ	✓ ✓	MULTI ZONE	1:40	12,0	1,20
6. Szybki 30'	- ✓	MULTI ZONE	0:30	9,0	0,50
7. Mycie wstępne	- -	MULTI ZONE	0:10	4,5	0,01
8. Samoczyszczenie	- -		0:50	8,0	0,85

Dane Programu Eko uzyskano na podstawie pomiarów wykonanych w warunkach laboratoryjnych zgodnie z normą europejską EN 60436:2020. Uwaga dla laboratoriów testowych: szczegółowe informacje dotyczące warunków testów porównawczych EN można uzyskać pod adresem: [dw\\_test\\_support@europeanappliances.com](mailto:dw_test_support@europeanappliances.com).

Przed żadnym z tych programów nie ma potrzeby wstępnego przygotowania naczyń.

\*) Nie wszystkie opcje mogą być używane jednocześnie.

\*\*) Wartości podane dla innych programów niż program Eko mają charakter referencyjny. Rzeczywisty czas może się zmieniać w zależności od wielu czynników, takich jak temperatura i ciśnienie dopływającej wody, temperatura otoczenia, ilość detergentu, wielkość i typ ładunku oraz jego wyważenie, a także od dodatkowo wybranych opcji i kalibracji czujnika. Kalibracja czujnika może wydłużyć czas trwania programu aż o 20 min.

## OPIS PROGRAMÓW

### Instrukcje wyboru cyklu zmywania.

#### 1 EKO

Program Eco jest przeznaczony do mycia naczyń o zwykłym stopniu zabrudzenia; dla tego zastosowania jest to najbardziej wydajny program pod względem zużycia energii elektrycznej i wody oraz w takim zastosowaniu program ten uzyskał certyfikat zgodności z dyrektywą unijną Ecodesign.

#### 2 6<sup>th</sup> SENSE®

Do mycia normalnie zabrudzonych naczyń z zaschniętymi resztkami potraw. Program jest automatycznie dostosowany w zależności od poziomu zabrudzenia. Gdy czujnik wykryje poziom zabrudzenia, na wyświetlaczu pojawi się animacja i czas trwania cyklu zostanie zaktualizowany.

#### 3 INTENSYWNY

Program do zmywania bardzo zabrudzonych naczyń, szczególnie zalecany do patelni i garnków (nie powinien być używany do delikatnych naczyń).

#### 4 SZYBKIE MYCIE I SUSZENIE

Normalnie zabrudzone naczynia. Cykl do codziennego stosowania, zapewniający optymalne rezultaty zmywania i suszenia w krótszym czasie.

#### 5 KRYSZTAŁY

Program do mycia delikatnych naczyń, które są bardziej wrażliwe na wysoką temperaturę, np. szklanki i kubeczki.

#### 6 SZYBKI 30'

Program należy stosować przy połowie ładunku lub lekko zabrudzonych naczyniach, na których nie zalegają resztki jedzenia. Nie zawiera fazy suszenia.

#### 7 MYCIE WSTĘPNE

Opłukiwanie naczyń przeznaczonych do późniejszego mycia. W tym programie nie używa się żadnego detergentu.

#### 8 SAMOCZYSZCZENIE

Program przeznaczony do przeprowadzania konserwacji zmywarki, tylko w przypadku gdy zmywarka jest PUSTA, z zastosowaniem specjalnych detergentów służących do konserwacji zmywarki.

#### Uwagi:

Należy pamiętać, że cykl Szybki 30' służy do mycia lekko zabrudzonych naczyń.

# OPCJE I FUNKCJE

OPCJE można wybierać bezpośrednio, naciskając odpowiedni przycisk (patrz PANEL STEROWANIA).

**Jeśli dana opcja nie może być używana z wybranym programem patrz TABELA PROGRAMÓW, odpowiednia dioda LED mignie szybko 3 razy i będzie słycać sygnał dźwiękowy. Opcja nie zostanie włączona.**

## MULTI MULTIZONE

Jeśli nie ma wielu naczyń do zmywania, można wykorzystać program «Połowa załadunku», w celu oszczędzenia wody, energii elektrycznej i detergentu.

Wybrać program i nacisnąć przycisk MULTIZONE: symbol wybranego kosza pojawia się na wyświetlaczu. Domyślnie urządzenie myje naczynia we wszystkich koszach.

Aby umyć zawartość tylko wybranego kosza, należy nacisnąć kilkakrotnie przycisk:



pokazany na wyświetlaczu (tylko dolny kosz)



pokazany na wyświetlaczu (tylko górny kosz)



pokazany na wyświetlaczu (tylko półka-kosz na sztućce)



pokazany na wyświetlaczu (opcja jest WYŁĄCZONA, a urządzenie będzie zmywać naczynia we wszystkich koszach).

**Trzeba pamiętać, aby załadować tylko górny lub dolny kosz i zmniejszyć odpowiednio ilość detergentu.**

**Jeśli wyjęto górny kosz, należy umieścić detergent bezpośrednio w zbiorniku zamiast w dozowniku detergentu.**



## OPÓŹNIENIE

Włączenie programu można opóźnić o pewien czas, od 1 do 12 godzin.

1. Nacisnąć przycisk OPÓŹNIENIE: na wyświetlaczu pojawi się odpowiedni symbol - „h”; po każdym naciśnięciu przycisku, czas (1 godz., 2 godz., itd. do maks. 12 godz.) liczony od początku wybranego cyklu zmywania zostanie zwiększony.
2. Wybrać program zmywania, nacisnąć przycisk START/Pauza i w ciągu czterech sekund zamknąć drzwiczki: zegar zacznie odliczanie.
3. Po upływie ustawionego czasu kontrolka „h” zgaśnie i rozpocznie się cykl zmywania.

Aby ustawić czas opóźnienia i wybrać krótszy czas, należy nacisnąć przycisk OPÓŹNIENIE. Aby anulować wybór, nacisnąć i przytrzymać przycisk, aż kontrolka wybranego opóźnienia „h” zgaśnie.

Program zmywania rozpocznie się automatycznie, jak tylko zostaną zamknięte drzwiczki.

**Funkcji „OPÓŹNIENIE” nie można ustawić po rozpoczęciu cyklu zmywania.**



## TABLETKI (TAB)

Ustawienie to pozwala zoptymalizować wydajność programu zgodnie z typem zastosowanego detergentu.

Nacisnąć przycisk START/Pauza i przytrzymać przez 3 sekundy (zaświeci się odpowiedni symbol), jeśli używany jest wielofunkcyjny detergent w formie tabletki (płyn nabłyszczający, sól i detergent w jednym).

**W przypadku korzystania z detergentu w proszku lub w płynie, opcja ta powinna być wyłączona.**



## POWER CLEAN®

Dzięki dodatkowym silnym dyszom ta opcja zapewni bardziej intensywne i dokładne mycie w koszu dolnym, w określonym jego obszarze. Opcja ta jest polecana do mycia garnków i patelni. Naciśnięcie tego przycisku włącza opcję Power Clean® (zapala się wskaźnik).



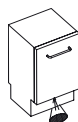
## SANI PŁUKANIE

Ta opcja może być użyta do dezynfekcji mytych naczyń.

Jej włączenie spowoduje podwyższenie temperatury końcowego płukania i dodanie zmywania antybakteryjnego do wybranego programu.

Wybrać program zmywania, nacisnąć przycisk SANI PŁUKANIE; zaświeci się kontrolka. Aby wyłączyć opcję, jeszcze raz nacisnąć ten sam przycisk. Idealna do mycia naczyń i butelek do karmienia. Drzwiczki zmywarki muszą być zamknięte przez cały czas trwania programu, aby zagwarantować usunięcie zarazków. Jeśli drzwiczki zostaną otwarte, kontrolka zacznie migać.

**OSTRZEŻENIE: po zakończeniu cyklu naczynia i talerze mogą być bardzo gorące**



## KONTROLKA DZIAŁANIA

Lampka LED świecąca na podłogę wskazuje, że zmywarka działa. Można wybrać jeden z następujących trybów pracy:

- a) Funkcja wyłączona.
- b) Gdy rozpoczyna się cykl, kontrolka włącza się na kilka sekund, pozostaje wyłączona podczas cyklu i miga na koniec cyklu.
- c) Kontrolka pozostaje włączona podczas cyklu i miga po jego zakończeniu (tryb domyślny).

Jeżeli zostało ustawione opóźnienie, kontrolka może być włączona w ciągu pierwszych kilku sekund, albo przez cały okres odliczania, zależnie od tego, czy ustawiono tryb b), czy c).

Kontrolka gaśnie za każdym razem, gdy zostaną otwarte drzwiczki. Aby wybrać preferowany tryb, należy włączyć urządzenie, nacisnąć i przytrzymać przycisk P, aż na wyświetlaczu pojawi się jedna z trzech liter, nacisnąć przycisk P, aż do osiągnięcia żądanej litery (lub trybu), przytrzymać przycisk P, aby potwierdzić wybór.

**Uwaga: Jeśli system NaturalDry jest aktywny i drzwiczki zostaną otwarte, wskaźnik pracy nie będzie migać na końcu cyklu.**

## NaturalDry

NaturalDry to konwekcyjny system suszenia, który automatycznie otwiera drzwiczki podczas/po fazie suszenia, aby zapewnić doskonałe rezultaty suszenia każdego dnia. Drzwiczki otwierają się w temperaturze, która jest bezpieczna dla mebli kuchennych, dlatego nie zostaną one otworzone, gdy włączona jest opcja SANI PŁUKANIE.

Do zmywarki dołączono specjalnie zaprojektowaną folię ochronną, która pełni funkcję dodatkowej ochrony przed parą. Należy zapoznać się z PORADNIKIEM INSTALACJI, aby dowiedzieć się, jak zamontować folię ochronną.

Użytkownik może wyłączyć funkcję systemu NaturalDry w następujący sposób:

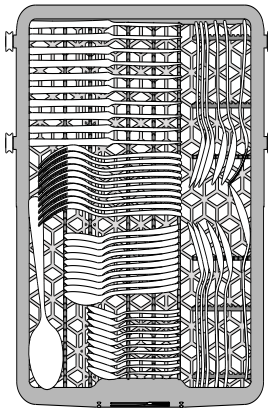
1. Przejść do menu oprogramowania zmywarki, naciskając i przytrzymując przycisk P (6 sek.).
2. Po wejściu do Light Control Menu (zapoznać się z rozdziałem KONTROLKA DZIAŁANIA), nacisnąć i przytrzymać przycisk P (dopóki na wyświetlaczu nie wyświetli się jedna z dwóch liter), o ile użytkownik nie chce niczego zmieniać.
3. Po przejściu do Menu Sterowania NaturalDry, można zmienić status tej funkcji, naciskając przycisk P:

**E** - włączone      **d** - wyłączony

Należy nacisnąć i przytrzymać przycisk P (3 sek.), aby potwierdzić zmianę i wyjść z Menu Sterowania.

# ŁADOWANIE KOSZY

## PÓŁKA-KOSZ NA SZTUĆCE



Trzecia półka-kosz jest przeznaczona do umieszczania sztućców. Sztućce należy wkładać tak, jak to pokazano na rysunku. Rozdzielone ułożenie sztućców ułatwia ich wyjmowanie po zmywaniu i zapewnia lepsze wysuszenie.

**Noże i inne akcesoria o ostrych czubkach i krawędziach należy układać ostrzami skierowanymi w dół.**

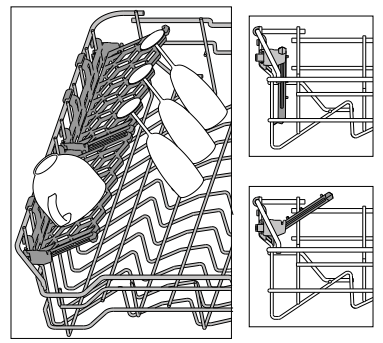
## SKŁADANE PÓŁECZKI Z REGULOWANYM POŁOŻENIEM

Boczne składane klapy można złożyć lub rozłożyć, aby zoptymalizować ułożenie naczyń w koszyku.

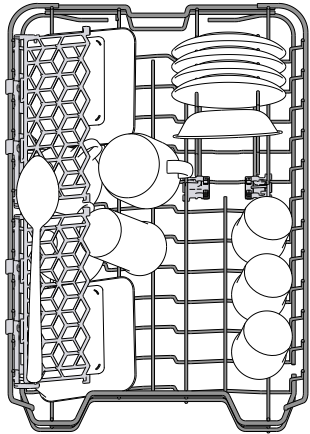
Kieliszki do wina można bezpiecznie umieścić, wkładając nożkę każdego kieliszka do odpowiedniego otworu.

W zależności od modelu:

- aby rozłożyć klapy, należy wysunąć je do góry i obrócić lub zwolnić z zatrzasków i pociągnąć do dołu.
- aby złożyć klapy, należy obrócić je i wsunąć je do dołu lub wyciągnąć do góry i zamocować do zatrzasków.



## GÓRNY KOSZ



Tu należy wkładać delikatne i lekkie naczynia: szklanki, filiżanki, talerzyki, małe miseczki do sałatek.

Górny kosz jest wyposażony w podnoszone wsporniki, które mogą być używane w pozycji pionowej przy wkładaniu spodeczków/talerzyków deserowych lub w pozycji opuszczonej, przy wkładaniu misek i pojemników na żywność.

(przykładowe załadowanie górnego kosza)

## REGULACJA WYSOKOŚCI GÓRNEGO KOSZA

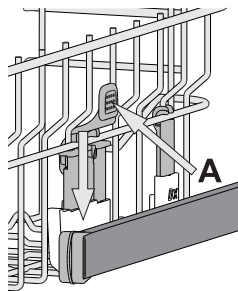
Wysokość górnego kosza można wyregulować: wyższe położenie umożliwia umieszczenie dużych naczyń w dolnym koszu, a niższe pozwala na najwyższe ustawienie podnoszonych wsporników, co daje więcej miejsca u góry, a jednocześnie pozwala uniknąć stykania się z naczyniami umieszczonymi w dolnym koszu.

Górny kosz jest wyposażony w **regulator wysokości górnego kosza** (patrz ilustracja); bez naciskania dźwigierek, można łatwo podnieść kosz trzymając go za boczne części i umieszczając stabilnie w górnym położeniu.

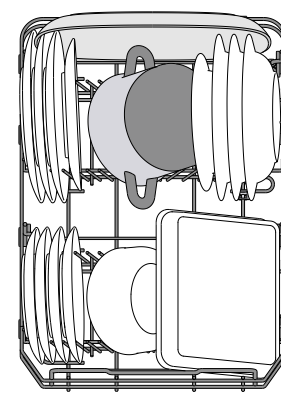
Aby przywrócić dolne położenie, nacisnąć dźwigię **A** po bokach kosza i przesunąć kosz w dół.

**Zdecydowanie zalecamy, aby nie regulować wysokości kosza, gdy jest załadowany.**

**NIGDY nie podnosić lub opuszczać kosza tylko z jednej strony.**



## DOLNY KOSZ



(przykład sposobu załadowania dolnego kosza)

Do garnków, pokrywek, talerzy, misek do sałatek, sztućców itp. Duże talerze i pokrywki powinny być umieszczane z boku, aby uniknąć stykania się z ramieniem natryskowym.

Dolny kosz jest wyposażony w podnoszone wsporniki, które mogą być używane w położeniu pionowym przy wkładaniu talerzy lub w położeniu poziomym, aby ułatwić wkładanie patelni i misek.

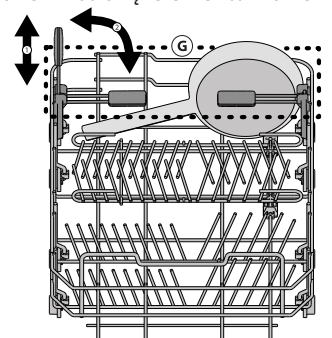
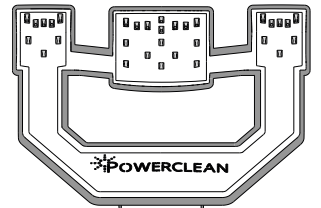
## SYSTEM POWER CLEAN W DOLNYM KOSZU

System Power Clean® wykorzystuje specjalne dysze wodne znajdujące się z tyłu komory, które pozwalają na intensywne mycie bardzo zabrudzonych naczyń. Dolny kosz posiada miejsce do umieszczania dużych przedmiotów. Z tyłu kosza znajduje się specjalny wysuwany wspornik, który może być używany do podparcia patelni lub blach do pieczenia i ustawienia ich pionowo, dzięki czemu będą zajmowały mniej miejsca.

Umieszczając garnki/patelnie skierowane w stronę elementu Power Clean®, należy włączyć **POWER CLEAN** na panelu sterowania.

Stosowanie opcji Power Clean®:

1. Dostosować obszar Power Clean (G), składając tylne uchwyty w taki sposób, aby móc włożyć garnki.
2. Włożyć przechylone w pionie garnki i patelnie w obszar Power Clean®. Garnki muszą być zwrócone w kierunku silnych dysz wodnych.



# CODZIENNA EKSPLOATACJA

## 1. SPRAWDZENIE PRZYŁĄCZA WODY

Sprawdzić, czy zmywarka jest podłączona do instalacji wodnej i czy zawór wody jest otwarty.

## 2. WŁĄCZANIE ZMYWARKI

Otworzyć drzwiczki i nacisnąć przycisk **WŁ./WYŁ.**

## 3. WKŁADANIE NACZYŃ DO KOSZA

(patrz ŁADOWANIE KOSZY)

## 4. NAPEŁNIANIE DOZOWNIKA DETERGENTU

## 5. WYBÓR PROGRAMU I DOSTOSOWANIE CYKLU

Wybrać najbardziej odpowiedni program, dostosowany do typu naczyń i stopnia ich zabrudzenia (patrz OPIS PROGRAMÓW), naciskając przycisk **P**.

Wybrać żądane opcje (patrz OPCJE I FUNKCJE).

## 6. START

Aby rozpocząć cykl zmywania, należy nacisnąć przycisk **START/Pauza** (zaświeci się dioda LED), a następnie w ciągu 4 sek. od tej czynności, zamknąć drzwiczki. Po uruchomieniu programu pojawi się pojedynczy sygnał dźwiękowy. Jeśli drzwiczki nie zostaną zamknięte w ciągu 4 sekund, rozlegnie się dźwięk alarmu. W takim przypadku otworzyć drzwiczki, nacisnąć przycisk **START/Pauza** i ponownie zamknąć drzwiczki w ciągu 4 sek.

## 7. KONIEC CYKLU ZMYWANIA

Zakończenie cyklu zmywania jest sygnalizowane przez sygnał dźwiękowy i migający komunikat numeru cyklu zmywania na wyświetlaczu.

Otworzyć drzwiczki i wyłączyć urządzenie, naciskając przycisk **WŁ./WYŁ.**

Przed wyjęciem naczyń odczekać kilka minut - aby uniknąć oparzenia. Wyjąć naczynia, zaczynając od dolnego kosza.

Po dłuższym czasie braku aktywności urządzenie wyłączy się automatycznie, w celu zminimalizowania zużycia energii elektrycznej. Gdy naczynia są tylko lekko zabrudzone lub przed umieszczeniem ich w zmywarce zostały spłukane wodą, można odpowiednio zmniejszyć ilość używanego detergentu.

## MODYFIKOWANIE URUCHOMIONEGO PROGRAMU

Jeżeli wybrano niewłaściwy program, można go zmienić, pod warunkiem, że właśnie się on rozpoczął: otworzyć drzwiczki, nacisnąć i przytrzymać przycisk **WŁ./WYŁ.**; urządzenie wyłączy się.

Włączyć zmywarkę z powrotem, za pomocą przycisku **WŁ./WYŁ.** i wybrać nowy cykl zmywania oraz żądane opcje; uruchomić cykl, naciskając przycisk **START/Pauza** i zamykając drzwiczki w ciągu 4 sek.

## UMIESZCZANIE DODATKOWYCH NACZYŃ

Otworzyć drzwiczki bez wyłączania urządzenia (**START/Pauza**, dioda ledowa zaczyna migać) (**uwaga na GORAĆĄ parę!**) i umieścić naczynia w zmywarce. Nacisnąć przycisk **START/Pauza** i zamknąć drzwiczki w ciągu 4 sek. Cykl zostanie wznowiony od momentu, w którym go przerwano.

## PRZYPADKOWE PRZERWY

Jeśli drzwiczki zostaną otwarte podczas zmywania lub nastąpi przerwa w zasilaniu, cykl zatrzyma się. Aby wznowić cykl od momentu, w którym został przerwany, nacisnąć przycisk **START/Pauza** i zamknąć drzwiczki w ciągu 4 sek.

# PORADY I WSKAZÓWKI

## PORADY

Przed włożeniem naczyń do kosza, należy usunąć wszystkie resztki jedzenia i opróżnić szklanki. **Nie trzeba ich wcześniej płukać pod bieżącą wodą.** Rozmieścić naczynia tak, aby były mocno utrzymywane na miejscu i nie mogły się przewrócić; pojemniki ułożyć tak, aby ich otwory były skierowane w dół, a wklęsłe/wypukłe elementy były ustawione ukośnie, dzięki czemu woda będzie mogła docierać do każdej powierzchni i swobodnie przepływać.

**Ostrzeżenie:** pokrywki, uchwyty, tace i patelnie nie mogą uniemożliwiać obracania się ramion natryskowych.

Wszystkie małe przedmioty należy umieszczać w koszyku na sztućce.

Bardzo zabrudzone naczynia i patelnie powinny być umieszczane w dolnym koszu, ponieważ w tej części komory zmywarki strumienie wody są silniejsze i zmywanie jest bardziej skuteczne.

Po włożeniu naczyń do zmywarki trzeba sprawdzić, czy ramiona natryskowe mogą obracać się swobodnie.

## NACZYNIA NIE NADAJĄCE SIĘ DO ZMYWANIA W ZMYWARKACH

- Naczynia i sztućce drewniane.
  - Szklanki z delikatnym zdobieniem, wyroby artystyczne lub naczynia zabytkowe. Ich zdobienia nie są odporne.
  - Elementy z tworzywa sztucznego, które nie są odporne na wysokie temperatury.
  - Naczynia miedziane i cynowe.
  - Naczynia zabrudzone popiołem, woskiem, smarem lub tuszem.
- Kolory szklanych dekoracji oraz aluminiowe/srebrne części mogą zmienić się lub ściemnieć podczas zmywania. Niektóre rodzaje wyrobów szklanych (np. kryształ) mogą stracić przezroczystość po zbyt wielu cyklach zmywania.

## USZKODZENIE NACZYŃ SZKLANYCH I PORCELANOWYCH

- W zmywarkach można myć tylko takie naczynia szklane i porcelanowe, których producent deklaruje, że są przeznaczone do zmywarek.
- Używać delikatnego detergentu, przeznaczonego do porcelany
- Naczynia szklane i porcelanowe należy wyjmować ze zmywarki, jak tylko zmywanie się skończy.

## WSKAZÓWKI DOTYCZĄCE OSZCZĘDZANIA ENERGII

- Jeśli zmywarka domowa użytkowana jest zgodnie z zaleceniami producenta, **zmywanie naczyń w zmywarce zazwyczaj pochłania MNIEJ ENERGII ELEKTRYCZNEJ i mniej wody niż zmywanie ręczne.**
- Aby maksymalnie zwiększyć wydajność zmywarki, **należy uruchamiać cykl zmywania po pełnym załadunku urządzenia.** Ładowanie zmywarki domowej w stopniu zalecanym przez producenta przyczyni się do oszczędności energii elektrycznej i wody. Informacje na temat prawidłowego ładowania naczyń w zmywarce można odnaleźć w rozdziale ŁADOWANIE KOSZY. W przypadku częściowego załadunku, zaleca się skorzystanie ze specjalnych opcji, jeśli są one dostępne (Połowa załadunku/ Zone Wash/ Multizone), zapewniając jedynie wybrane kosze. Nieprawidłowe lub nadmierne ładowanie zmywarki może spowodować zwiększenie zużycia mediów (np. wody, energii, czasu lub zwiększenie poziomu hałasu), co wpływa negatywnie na wydajność suszenia.
- Ręczne spłukiwanie naczyń przyczynia się do większego zużycia wody i energii elektrycznej i nie jest zalecane.

## DEZYNFEKCJA ZMYWARKI

Aby uniknąć powstawania nieprzyjemnych zapachów i tworzenia się osadów, które mogą pojawić się w zmywarce, **należy co najmniej raz w miesiącu włączyć program z wysoką temperaturą.** Aby wyczyścić zmywarkę, należy wyspać/wlać jedną łyżeczkę detergentu i włączyć program bez wkładania naczyń.

# UTRZYMANIE I KONSERWACJA

## CZYSZCZENIE ZESPOŁU FILTRA

Zespół filtra należy regularnie czyścić, zapobiegając jego zapychaniu i zapewniając prawidłowy odpływ ścieków.

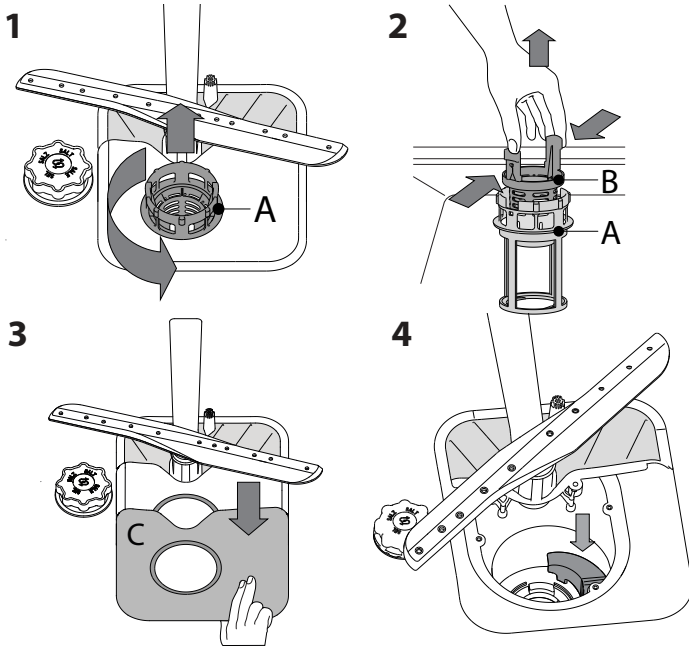
Używanie zmywarki, w której zablokowane są filtry lub zawierającej ciała obce w układzie filtrowania może spowodować nieprawidłowe działanie urządzenia, co prowadzi do obniżenia wydajności, głośnej pracy lub większego wykorzystania mediów.

Zespół filtra składa się z trzech filtrów, które usuwają resztki jedzenia z myjącej wody, a następnie umożliwiają jej obieg.

**Nie wolno używać zmywarki bez filtrów lub jeśli filtry są źle zamocowane.**

Co najmniej raz na miesiąc lub po każdym 30 cyklach zmywania należy sprawdzić zespół filtra i w razie potrzeby oczyścić go dokładnie pod bieżącą wodą za pomocą szczoteczki z niemetalowym włosiem i postępując zgodnie z poniższymi instrukcjami:

1. Odkręcić filtr cylindryczny **A** w kierunku ruchu wskazówek zegara i wyciągnąć go (Rys. 1).
2. Zdjąć korek filtra **B** lekko naciskając boczne klapki (Rys. 2).
3. Wysunąć filtr płytkowy ze stali nierdzewnej **C** (Rys. 3).
4. W przypadku odnalezienia ciał obcych (np. potłuczonego szkła, porcelany, kości, pestek owoców itp.), **należy je ostrożnie wyjąć**.
5. Sprawdzić syfon i usunąć wszelkie resztki potraw. **NIGDY NIE NALEŻY WYJMOWAĆ** osłony pompy cyklu myjącego (czarny element) (Rys. 4).



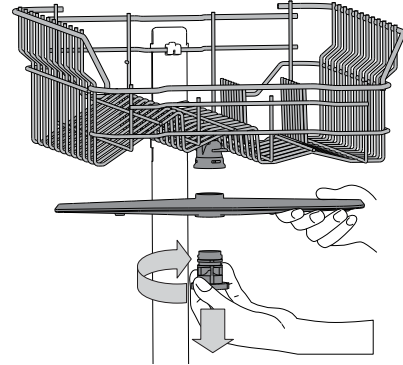
Po oczyszczeniu filtrów założyć z powrotem zespół filtra i zamocować go w prawidłowym położeniu; jest to niezbędne dla utrzymania sprawnego funkcjonowania zmywarki.

## CZYSZCZENIE WĘŻA DOPŁYWOWEGO WODY

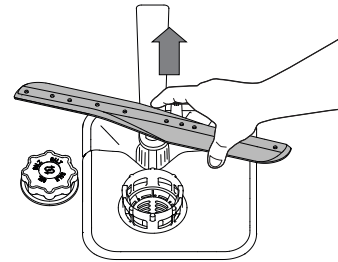
Jeśli węże wody są nowe lub nie były używane przez dłuższy czas, to przed wykonaniem niezbędnych połączeń należy przepuścić przez nie strumień wody, aby upewnić się, czy woda jest czysta i wolna od zanieczyszczeń. Jeśli takie środki ostrożności nie zostaną podjęte, wlot wody może zostać zablokowany, a zmywarka uszkodzona.

## CZYSZCZENIE RAMION NATRYSKOWYCH

Może się zdarzyć, że resztki potraw pozostaną na ramionach natryskowych i będą zatykać otwory, przez które wytryskiwana jest woda. Dlatego też zaleca się, aby od czasu do czasu sprawdzić ramiona natryskowe i oczyścić je małą szczoteczką z niemetalowym włosiem.



Aby zdjąć górne ramię natryskowe należy przekręcić plastikowy pierścień blokujący w kierunku ruchu wskazówek zegara. Górne ramię natryskowe powinno zostać z powrotem założone w taki sposób, aby strona z większą liczbą otworów była skierowana do góry.



Dolne ramię natryskowe można wyjmować pociągając je w górę.

## SYSTEM ZMIĘKCZANIA WODY

Zmiękczaczy wody automatycznie zmniejsza twardość wody, tym samym zapobiegając nagromadzeniu osadu na grzałce co z kolei przyczynia się do większej wydajności zmywania.

**System sam regeneruje się przy pomocy soli, zatem zbiornik soli należy uzupełniać jak tylko będzie pusty.**

Częstotliwość regeneracji jest uzależniona od ustawienia stopnia twardości wody - regeneracja ma miejsce raz na 6 cykli Eko przy poziomie twardości wody ustawionym na 3.

Proces regeneracji rozpoczyna się wraz z ostatnim płukaniem i kończy podczas etapu suszenia przed końcem cyklu.

- Podczas jednej regeneracji: ~Zużycie 3.5 L wody;
- Dodatkowe 5 minut cyklu;
- Zużycie poniżej 0,005 kWh energii elektrycznej.

# USUWANIE USTEREK

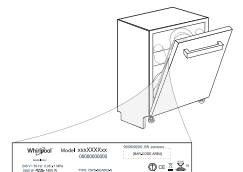
Jeśli zmywarka nie działa prawidłowo, należy sprawdzić czy problem można rozwiązać wykonując czynności opisane poniżej. W przypadku błędów lub problemów prosimy skontaktować się z zakładem serwisowym, którego dane kontaktowe można odnaleźć w książeczce gwarancyjnej. Części zamienne będą dostępne przez okres do 7 lub do 10 lat, zgodnie z określonymi wymaganiami rozporządzenia.

PROBLEM	MOŻLIWE PRZYCZYNY	ROZWIĄZANIE
Świeci się wskaźnik poziomu soli	Zbiornik soli jest pusty. (Po napełnieniu kontrolka poziomu soli może się świecić po zakończeniu kilku kolejnych programów zmywania).	Napełnić zbiornik solą (aby uzyskać więcej informacji, patrz strona 2). Dostosować poziom twardości wody, patrz tabela strona 2.
Świeci się wskaźnik dozownika płynu nablyszczającego	Dozownik płynu nablyszczającego jest pusty. (Po napełnieniu kontrolka dozownika płynu nablyszczającego może się świecić po zakończeniu kilku kolejnych programów zmywania).	Napełnić dozownik nablyszczaczem (aby uzyskać więcej informacji, patrz strona 2).
Zmywarka nie włącza się lub nie reaguje na polecenia.	Urządzenie nie zostało prawidłowo podłączone do zasilania. Przerwa w dopływie prądu. Drzwiczki zmywarki nie są zamknięte. Sworzeń NaturalDry nie jest wsunięty. Cykl został przerwany otwarciem drzwiczek przez > 4 sekundy. Nie reaguje na polecenia. Na wyświetlaczu widoczny jest komunikat: Dioda 9 albo 12 i Wł./Wył. szybko migają.	Włożyć wtyczkę przewodu zasilającego do gniazdka. Ze względów bezpieczeństwa, zmywarka nie wznowi automatycznie pracy po ponownym włączeniu prądu. Otworzyć drzwiczki zmywarki, nacisnąć przycisk START/Pauza i zamknąć drzwiczki w przeciągu 4 sekund. Energicznie popchnąć drzwiczki tak, aby było słychać że zostały "zatrzasknięte". Nacisnąć przycisk START/Pauza i zamknąć drzwiczki w ciągu 4 sekund. Wyłączyć urządzenie naciskając przycisk <b>WŁ./WYŁ.</b> , po ok. jednej minucie włączyć je z powrotem i zrestartować program. Jeśli problem nadal występuje, należy odłączyć urządzenie na 1 minutę a następnie podłączyć ponownie.
Zmywarka nie odpompowuje wody. Na wyświetlaczu widoczny jest komunikat: Dioda 3 i Wł./Wył. szybko migają.	Cykl zmywania jeszcze nie został zakończony. Wąż spustowy jest zagięty. Rura odpływu zlewu jest zatkana. Filtr jest zatkany resztkami potraw	Poczekać, aż skończy się cykl zmywania. Sprawdzić, czy wąż odpływowy nie jest zagięty (patrz INSTRUKCJA INSTALACJI). Oczyszczyć rurę odpływu w zlewie. Oczyszczyć filtr (patrz CZYSZCZENIE ZESPOŁU FILTRA).
Zmywarka pracuje zbyt głośno.	Naczynia uderzają o siebie. Wytwarzana jest nadmierna ilość piany.	Prawidłowo ułożyć naczynia (patrz ŁADOWANIE KOSZY). Porcja detergentu nie została poprawnie odmierzona, albo detergent nie nadaje się do stosowania w zmywarkach (patrz NAPEŁNIANIE DOZOWNIKA DETERGENTU). Zrestartować bieżący cykl wyłączając zmywarkę, następnie włączyć ponownie, wybrać nowy program, nacisnąć przycisk START/Pauza i zamknąć drzwiczki w przeciągu 4 sekund. Nie dodawać żadnego detergentu.
Naczynia nie są czyste.	Naczynia nie zostały prawidłowo rozmieszczone. Ramiona natryskowe nie mogą obracać się swobodnie, zaczepiają się o naczynia. Cykl zmywania jest zbyt delikatny. Wytwarzana jest nadmierna ilość piany. Pokrywka przegródki na płyn nablyszczający nie została prawidłowo zamknięta. Filtr jest brudny lub zatkany. Nie ma soli.	Prawidłowo ułożyć naczynia (patrz ŁADOWANIE KOSZY). Prawidłowo ułożyć naczynia (patrz ŁADOWANIE KOSZY). Wybierz odpowiedni cykl zmywania (patrz TABELA PROGRAMÓW). Porcja detergentu nie została poprawnie odmierzona, albo detergent nie nadaje się do stosowania w zmywarkach (patrz NAPEŁNIANIE DOZOWNIKA DETERGENTU). Upewnić się, czy dozownik płynu nablyszczającego jest zamknięty. Oczyszczyć zespół filtra (patrz UTRZYMANIE I KONSERWACJA). Napełnić zbiornik soli (patrz NAPEŁNIANIE ZBIORNIKA SOLI).
Zmywarka nie napełnia się wodą. Na wyświetlaczu widoczny jest komunikat: Dioda H, 6 i Wł./Wył. szybko migają.	Brak wody w sieci wodociągowej lub zawór jest zamknięty. Wąż dopływowy jest zagięty. Sitko w węży dopływowy wody jest zapchane; niezbędne jest jego oczyszczenie.	Sprawdzić, czy woda dopływa z sieci wodociągowej lub czy zawór jest otwarty. Sprawdzić czy wąż dopływowy nie jest zagięty (zobacz INSTALACJA), następnie ponownie zaprogramować i włączyć zmywarkę. Po wykonaniu sprawdzenia i oczyszczenia należy wyłączyć i włączyć zmywarkę, i rozpocząć nowy program.
Zmywarka kończy cykl przedwcześnie. Na wyświetlaczu widoczny jest komunikat: Dioda 15 i Wł./Wył. szybko migają.	Wąż dopływowy ustawiony jest zbyt nisko lub zasysa do kanalizacji domowej. Powietrze w dopływie wody.	Sprawdzić czy końcówka węża dopływowego umieszczona jest na prawidłowej wysokości (zobacz INSTALACJA). Należy sprawdzić pod kątem zasysania do kanalizacji domowej, w razie potrzeby zainstalować zawór wpustowy. Sprawdzić układ doprowadzania wody pod kątem wycieków lub innych problemów mogących wiązać się z przepuszczaniem powietrza.
Wyciek detergentu.	Zależy od zastosowanego detergentu w płynie i może być zwiększony w przypadku aktywacji opcji opóźnienia.	Niewielkie wycieki nie spowodują awarii urządzenia i można ich uniknąć, zmieniając rodzaj detergentu w płynie lub stosując tabletki.

## Zasady, standardową dokumentację, informacje na temat zamawiania części zamiennych oraz dodatkowe informacje o produkcie można znaleźć:

- Korzystając z kodu QR na swoim produkcie.
- Odwiedzając naszą stronę internetową [docs.whirlpool.eu/docs](https://docs.whirlpool.eu/docs) i [parts-selfservice.europeanappliances.com](https://parts-selfservice.europeanappliances.com)
- Ewentualnie można skontaktować się z naszą obsługą posprzedażową (patrz numer telefonu w książeczce gwarancyjnej). Kontaktując się z naszą obsługą posprzedażową, należy podać kody zamieszczone na tabliczce identyfikacyjnej produktu.

Informacje o modelu można uzyskać przy pomocy kodu QR podanego na etykiecie energetycznej. Etykieta zawiera również identyfikator modelu, którego można użyć do znalezienia informacji na portalu rejestru pod adresem <https://eprel.ec.europa.eu>.



# GUIA DE REFERÊNCIA DE RESOLUÇÃO DE PROBLEMAS



**OBRIGADO POR TER ADQUIRIDO UM PRODUTO WHIRLPOOL.**

Para beneficiar de uma assistência mais completa, registre o seu aparelho em: [www.whirlpool.eu/register](http://www.whirlpool.eu/register).

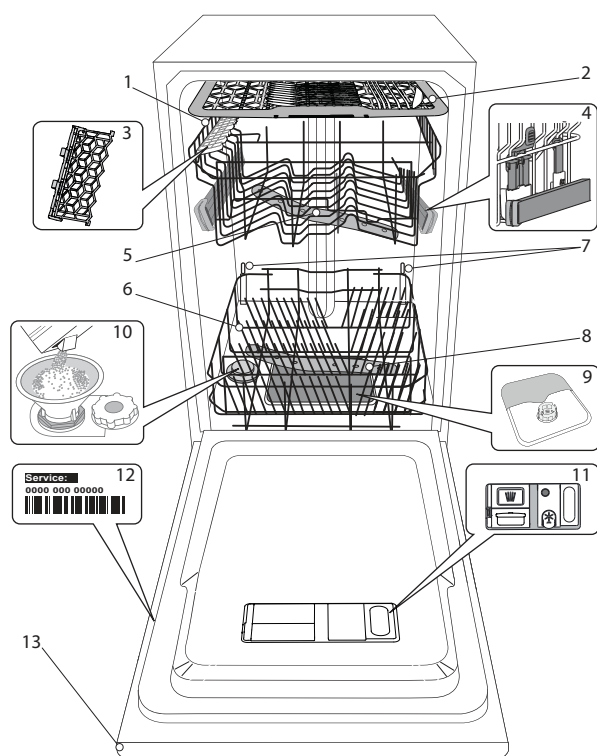
**EFETUE A LEITURA DO CÓDIGO QR NO SEU APARELHO PARA OBTER INFORMAÇÕES MAIS DETALHADAS**



**Leia as Instruções de Segurança com atenção antes de usar o aparelho.**

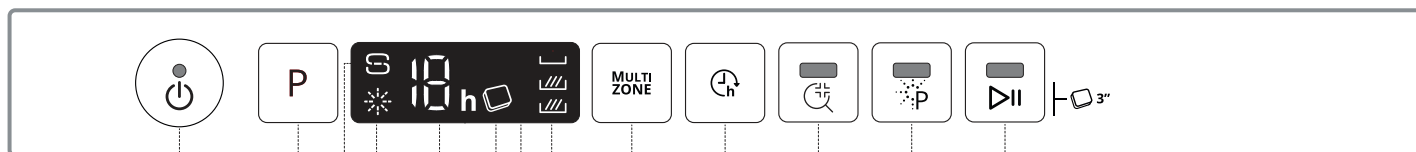
## DESCRIÇÃO DO PRODUTO

### APARELHO



1. Cesto superior
2. Tabuleiro dos talheres
3. Abas dobráveis
4. Ajuste da altura do cesto superior
5. Braço aspersor superior
6. Cesto inferior
7. Power Clean® Apoio
8. Braço aspersor inferior
9. Conjunto de filtros
10. Depósito de sal
11. Distribuidores de detergente e abrillantador
12. Chapa de características
13. Painel de comandos

### PAINEL DE COMANDOS



1. Botão Ligar-Desligar/Reinicie com indicador luminoso
2. Botão para seleção de programas
3. Luz indicadora de reabastecimento do sal
4. Luz indicadora de reabastecimento do abrillantador
5. Número do programa e indicador do tempo de atraso
6. Tablet indicator light
7. Visor
8. Indicador luminoso Multizone
9. Botão Multizone
10. Botão de início diferido
11. Botão Enx. Desinf. com indicador luminoso
12. Botão Power Clean® com indicador luminoso
13. Botão Início/Pausa com indicador luminoso/ pastilha (Tab)

# PRIMEIRA UTILIZAÇÃO SAL, ABRILHANTADOR E DETERGENTE


## CONSELHOS PARA A PRIMEIRA UTILIZAÇÃO

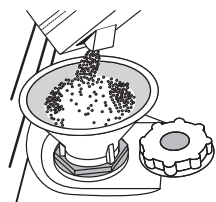
Após a instalação, retire os elementos de fixação dos cestos e os elementos de retenção elásticos do cesto superior.

## ENCHER O DEPÓSITO DO SAL

A utilização de sal evita a formação de calcário na loiça e nos componentes funcionais da máquina.

- É obrigatório que **O DEPÓSITO DE SAL NUNCA ESTEJA VAZIO.**
- É importante definir a dureza da água.

O depósito de sal situa-se na parte inferior da máquina de lavar loiça (ver **DESCRIÇÃO DOS PRODUTOS**) e tem de ser enchido quando o **indicador luminoso REABASTECIMENTO DO SAL**  estiver aceso no painel de comandos.



1. Retire o cesto inferior e desaperte a tampa do depósito (no sentido contrário ao dos ponteiros do relógio).
2. **Apenas na primeira vez em que o fizer: encha o depósito de sal com água.**
3. Posicione o funil (ver a figura) e encha o depósito de sal até ao rebordo (aprox. 1 kg); é normal que saia alguma água.
4. Retire o funil e limpe qualquer resíduo de sal da abertura.

Certifique-se de que a tampa está bem apertada para que não entre detergente no depósito durante o programa de lavagem (tal pode danificar o amaciador de água de modo irreparável).

**Se for necessário adicionar sal, é obrigatório executar o procedimento antes do início do ciclo de lavagem para evitar corrosão.**

## DEFINIR A DUREZA DA ÁGUA

Para que o amaciador de água funcione corretamente, é essencial que a definição de dureza da água tenha por base a dureza da água existente em sua casa. Pode obter esta informação consultando a empresa de abastecimento de água local.

A fábrica define o valor padrão para a dureza da água:

- Ligue a máquina premindo o botão **LIGAR/DESLIGAR.**
- Desligue a máquina premindo o botão **LIGAR/DESLIGAR.**
- Mantenha premido o botão **P** durante 5 segundos, até ouvir um sinal sonoro.
- Ligue a máquina premindo o botão **LIGAR/DESLIGAR.**
- O número do nível selecionado atualmente e o indicador luminoso do sal ficam intermitentes.
- Prima o botão **P** para selecionar o nível de dureza da água pretendido (ver a **TABELA DE DUREZA DA ÁGUA**)

Tabela de dureza da água				
Nível		°dH	°fH	°Clark
		Graus Alemães	Graus Franceses	Graus ingleses
1	Macia	0 - 6	0 - 10	0 - 7
2	Média	7 - 11	11 - 20	8 - 14
3	Média	12 - 16	21 - 29	15 - 20
4	Dura	17 - 34	30 - 60	21 - 42
5	Muito dura	35 - 50	61 - 90	43 - 62

- Desligue a máquina premindo o botão **LIGAR/DESLIGAR.**

A definição está concluída!

Assim que este procedimento estiver concluído, execute um programa sem carregar qualquer loiça na máquina.


**Utilize apenas sal especificamente concebido para máquinas de lavar loiça.**

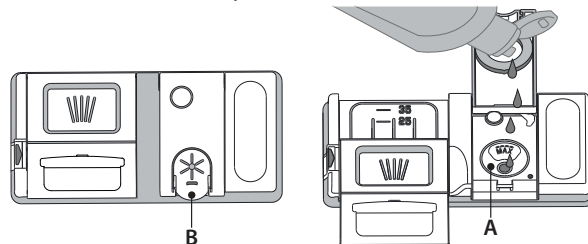
Depois de colocar o sal na máquina, o indicador luminoso REABASTECIMENTO DO SAL apaga-se.

**Se o depósito de sal não for enchido, o amaciador de água e o elemento de aquecimento podem ser danificados em resultado da acumulação de calcário.**

A utilização de sal é recomendada com qualquer tipo de detergente para a máquina de lavar loiça.

## ENCHER O DISTRIBUIDOR DE ABRILHANTADOR

O abrillhantador facilita a SECAGEM da loiça. O distribuidor de abrillhantador **A** deve ser enchido quando o **indicador luminoso de REABASTECIMENTO DO ABRILHANTADOR**  no painel de comandos se acender.



1. Abra o distribuidor **B** pressionando e puxando a patilha da tampa.
2. Encha cuidadosamente com abrillhantador até ao entalhe de referência máximo (110 ml) da área de enchimento, evitando derramá-lo. Se isso acontecer, limpe imediatamente com um pano seco.
3. Pressione a tampa para baixo até ouvir um clique de fecho.

**NUNCA deite o abrillhantador diretamente na cuba da máquina.**

## AJUSTAR A DOSAGEM DE ABRILHANTADOR

Se não estiver completamente satisfeito(a) com os resultados da secagem, pode ajustar a quantidade de abrillhantador utilizado.

- Ligue a máquina de lavar loiça com o botão **LIGAR/DESLIGAR.**
- Desligue-a com o botão **LIGAR/DESLIGAR.**
- Prima o botão **P** três vezes; será audível um sinal sonoro.
- Ligue-a com o botão **LIGAR/DESLIGAR.**
- O número do nível selecionado atualmente e o indicador luminoso do abrillhantador ficam intermitentes.
- Prima o botão **P** para selecionar a quantidade de abrillhantador a distribuir.
- Desligue-a com o botão **LIGAR/DESLIGAR**

A definição está concluída!

Se o nível de abrillhantador estiver definido para ZERO (ECO), não será distribuído abrillhantador. O indicador luminoso de POUCO ABRILHANTADOR não se acende se o abrillhantador acabar.

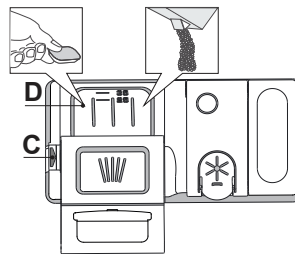
É possível definir um máximo de 5 níveis, de acordo com o modelo da máquina de lavar loiça. As definições de fábrica são específicas deste modelo, pelo que deverá seguir as instruções acima para utilizar corretamente a sua máquina de lavar loiça

- Se a loiça possuir riscas azuladas, defina um nível baixo (1-2).
- Se existirem gotas de água ou marcas de calcário na loiça, defina um número alto (3-4).

## ENCHER O DISTRIBUIDOR DE DETERGENTE

**Para abrir o distribuidor de detergente, utilize o dispositivo de abertura**

**C. Coloque o detergente apenas no distribuidor seco D. Coloque a quantidade de detergente para pré-lavagem diretamente na cuba.**



1. Para dosar o detergente, consulte as informações anteriormente mencionadas para adicionar a quantidade correta. No interior do distribuidor **D**, existem indicações que ajudam a dosar o detergente.
2. Elimine os resíduos de detergente dos rebordos do distribuidor e feche a tampa até fazer clique.
3. Feche a tampa do distribuidor de detergente puxando-a para cima até que o dispositivo de fecho esteja fixo no devido local.

O distribuidor de detergente abre-se automaticamente no momento certo, de acordo com o programa.

Se forem utilizados detergentes tudo-em-um, recomendamos a utilização do botão **PASTILHA**, uma vez que este ajusta o programa para que sejam sempre obtidos os melhores resultados de lavagem e secagem.

**A utilização de detergentes inapropriados para máquinas de lavar loiça poderá causar avarias ou danos no aparelho.**

# TABELA DE PROGRAMAS

Programa	Fase de secagem	NaturalDry	Opções disponíveis *)	Duração do programa de lavagem (h:min)**)	Consumo de água (litros/ciclo)	Consumo de energia (kWh/ciclo)
1. Eco ECO 50°	✓	✓		3:40	9,0	0,67
2. 6th Sense® 50-60°	✓	✓		1:20 - 3:00	7,0 - 14,0	0,70 - 1,10
3. Intensivo 65°	✓	✓		2:45	17,5	1,60
4. Lavagem e Secagem Rápidas 50°	✓	✓		1:25	11,5	1,10
5. Cristais 45°	✓	✓		1:40	12,0	1,20
6. Rápido 30' 50°	-	✓		0:30	9,0	0,50
7. Pré-lavagem -	-	-		0:10	4,5	0,01
8. Limpeza automática 65°	-	-		0:50	8,0	0,85

Os dados do programa ECO são avaliados em condições laboratoriais de acordo com a norma europeia EN 60436:2020. Nota para os Laboratórios de Ensaio: para informações sobre as condições do ensaio comparativo EN, solicitar ao endereço: [dw\\_test\\_support@europeanappliances.com](mailto:dw_test_support@europeanappliances.com). Não é necessário efetuar qualquer tipo de pré-tratamento da loiça antes de iniciar os programas.

\*) Nem todas as opções podem ser utilizadas em simultâneo.

\*\*) Os valores apresentados para todos os programas, à exceção do programa Eco, são meramente indicativos. O tempo real poderá variar dependendo de vários fatores, tais como a temperatura e a pressão da água de entrada, a temperatura ambiente, a quantidade de detergente, a quantidade e o tipo de carga, o equilíbrio da carga, as opções adicionais selecionadas e a calibragem do sensor. A calibragem do sensor pode aumentar a duração do programa até 20 min.

## DESCRIÇÃO DOS PROGRAMAS

### Instruções sobre a seleção do ciclo de lavagem.

#### 1 ECO

O programa Eco é ideal para lavar loiça com um nível de sujidade normal, sendo o programa mais eficiente para o efeito em termos da sua utilização combinada de energia e de água e estando em conformidade com a legislação de conceção ecológica da UE.

#### 2 6<sup>th</sup> SENSE®

Para loiça com um grau de sujidade normal, com restos de comida secos. Deteta o nível de sujidade da loiça e ajusta o programa. Quando o sensor está ativado para detetar o nível de sujidade da loiça, é apresentada uma animação no visor e a duração do ciclo é atualizada.

#### 3 INTENSIVO

Programa aconselhado para loiça muito suja, sendo particularmente indicado para tachos e panelas (não deve ser utilizado para objetos frágeis).

#### 4 LAVAGEM E SECAGEM RÁPIDAS

Loiça com um grau de sujidade normal. Ciclo diário, que garante um desempenho de limpeza e secagem ideais num período de tempo mais curto.

#### 5 CRISTAIS

Programa para objetos frágeis e mais sensíveis a temperaturas elevadas, tais como copos de vidro e chávenas.

#### 6 RÁPIDO 30'

Programa a ser utilizado para meia carga de loiça com sujidade ligeira, sem restos de comida secos. Não tem uma fase de secagem.

#### 7 PRÉ-LAVAGEM

Utilizado para refrescar a loiça a ser lavada mais tarde. Neste programa não é utilizado detergente.

#### 8 LIMPEZA AUTOMÁTICA

Programa a ser utilizado para efetuar a manutenção da máquina de lavar loiça, a ser efetuado apenas quando a máquina de lavar loiça estiver VAZIA e utilizando detergentes específicos concebidos para a manutenção de máquinas de lavar loiça.

#### Notas:

Note que o ciclo de lavagem *Rápido 30'* destina-se à lavagem de loiça com sujidade ligeira.

# OPÇÕES E FUNÇÕES

É possível selecionar diretamente a função OPÇÕES premindo o botão correspondente (ver PAINEL DE COMANDOS).

**Se uma opção não for compatível com o programa selecionado, consulte a TABELA DE PROGRAMAS, o LED correspondente pisca rapidamente 3 vezes e é emitido um sinal sonoro. A opção não será ativada.**

## MULTI ZONE MULTIZONE

Se a carga de loiça a lavar seja reduzida poderá ser utilizado o programa de meia carga para poupar água, eletricidade e detergente. Selecione o programa e prima o botão MULTIZONE: o símbolo do cesto selecionado aparece no visor. Por pré-definição, a máquina lava a loiça em todos os cestos. Para lavar apenas a loiça de um cesto específico, prima repetidamente este botão:



apresentado no visor (apenas cesto inferior)



apresentado no visor (apenas cesto superior)



apresentado no visor (apenas cesto dos talheres)



apresentado no visor (opção DESATIVADA, a máquina lava a loiça em todos os cestos).

**Lembre-se de colocar loiça apenas no cesto superior ou inferior e de reduzir a quantidade de detergente utilizada em conformidade.**

**Se o cesto superior for removido, aplique o detergente diretamente na cuba e não na gaveta do detergente.**



## INÍCIO DIFERIDO

A hora de início do programa poderá ser atrasada num período entre 1 e 12 horas.

1. Prima o botão INÍCIO DIFERIDO: o símbolo correspondente «h» surge no visor; sempre que premir o botão, a hora (1h, 2h, etc., até ao máx. de 12h) de início do ciclo de lavagem selecionado aumenta.
2. Selecione o programa de lavagem, prima o botão INÍCIO/PAUSA e feche a porta no espaço de 4 segundos: o temporizador dará início à contagem decrescente.
3. Decorrido este tempo, o indicador luminoso «h» apaga-se e o ciclo de lavagem começa.

Para ajustar o tempo do início diferido e selecionar um período de tempo mais curto, prima o botão INÍCIO DIFERIDO. Para cancelar, prima repetidamente o botão até que o indicador luminoso «h» correspondente ao início diferido selecionado se apague.

**Não é possível definir a função de INÍCIO DIFERIDO depois de um ciclo de lavagem já ter sido iniciado.**



## ENXAGUAMENTO DESINFETANTE

Esta opção pode ser usada para desinfetar loiça lavada. Isto faz aumentar a temperatura da lavagem final e adiciona uma ação antibacteriana ao programa selecionado. Selecione o programa de lavagem e prima o botão Enx. Desinf.; o indicador luminoso acende-se. Para cancelar esta opção, volte a premir o mesmo botão. Ideal para lavar loiça e biberões. A porta da máquina de lavar loiça deve manter-se fechada durante todo o programa para garantir a redução dos germes. Quando se abre a porta, o indicador luminoso começa a piscar. **AVISO: a loiça poderá estar extremamente quente no final de cada ciclo.**



## POWER CLEAN®

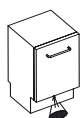
Graças aos jatos de potência suplementar, esta opção permite uma lavagem mais intensa e rigorosa no cesto inferior, na área específica. Esta opção é recomendada para a lavagem de tachos e panelas. Prima este botão para ativar a opção Power Clean® (o indicador acende-se).



## PASTILHA (Tab)

Esta definição permite otimizar o desempenho do programa de acordo com o tipo de detergente utilizado. Prima o botão INÍCIO/PAUSA durante 3 segundos (o símbolo correspondente acende-se) se utilizar uma combinação de detergentes em formato de pastilha (abrilhantador, sal e detergente numa dose).

**Se utilizar detergente líquido ou em pó, esta opção deve estar desativada.**



## INDICADOR DE OPERAÇÃO

Um indicador luminoso LED projetado no chão indica que a máquina de lavar loiça está em funcionamento. É possível selecionar um dos seguintes modos de funcionamento:

- a) Função desativada.
- b) Quando o ciclo começa, a o indicador luminoso acende-se durante alguns segundos, mantendo-se apagado durante o ciclo e ficando intermitente no final do mesmo.
- c) O indicador luminoso mantém-se aceso durante o ciclo e fica intermitente no final do mesmo (modo pré-definido).

Se estiver definido o início diferido, o indicador luminoso acende-se durante os primeiros segundos ou ao longo de toda a duração da contagem decrescente, conforme esteja selecionado o modo b) ou c).

O indicador luminoso apaga-se sempre que a porta é aberta. Para selecionar o modo pretendido, ligue a máquina, mantenha premido o botão **P** até que apareça uma das três letras no visor; em seguida, prima o botão **P** até chegar à letra pretendida (ou ao modo pretendido) e mantenha premido o botão **P** para confirmar a seleção.

## NaturalDry

NaturalDry é composto por um sistema de secagem por convecção que abre automaticamente a porta durante/após o ciclo de secagem, de forma a garantir um excelente desempenho de secagem diariamente. A porta abre-se apenas quando detetar uma temperatura segura o suficiente para os seus móveis de cozinha, pelo que não pode ser aberta com a opção TURBO ativada.

Como proteção adicional contra o vapor, é fornecida juntamente com a máquina de lavar loiça uma película de proteção especialmente concebida para o efeito. Para mais informações sobre como instalar esta película de proteção, consulte o GUIA DE INSTALAÇÃO. A função NaturalDry pode ser desativada pelo utilizador da seguinte forma:

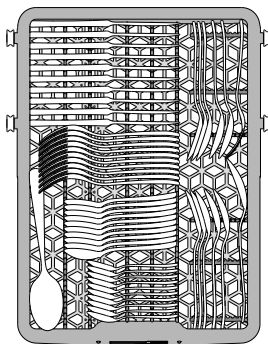
1. No menu do software da máquina de lavar loiça prima e mantenha premido o botão **P** (6 segundos).
2. Encontra-se atualmente no Menu de Controlo da Iluminação (consulte as instruções na secção INDICADOR DE OPERAÇÃO); caso não deseje efetuar quaisquer alterações, prima e mantenha premido o botão **P** (until one of the two letters appears on the display).
3. No Menu de Controlo da Função NaturalDry poderá alterar a função NaturalDry premindo o botão **P**:

**E** – ativado      **d** – desativado

Para confirmar a sua alteração e sair do Menu de Controlo da Função NaturalDry, prima e mantenha premido o botão **P** (3 segundos).

# CARREGAR OS CESTOS

## TABULEIRO DOS TALHERES



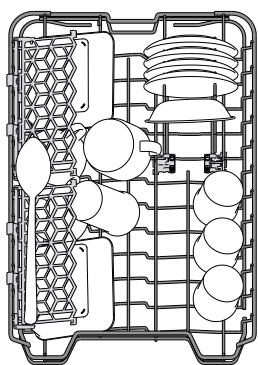
O terceiro cesto foi concebido para colocar os talheres.

Posicione os talheres conforme se mostra na figura.

Uma disposição separada dos talheres facilita a sua remoção após a lavagem e melhora o desempenho da lavagem e da secagem.

**As facas e os outros utensílios afiados têm de ser colocados com as lâminas voltadas para baixo.**

## CESTO SUPERIOR



(exemplo de carga no cesto superior)

Carregue neste cesto a loiça frágil e leve: copos, chávenas, pires, tigelas.

O cesto superior tem suportes rebatíveis, que podem ser utilizados numa posição vertical para colocar pires de chá/ sobremesa ou numa posição inferior, para colocar tigelas e recipientes.

## AJUSTAR A ALTURA DO CESTO SUPERIOR

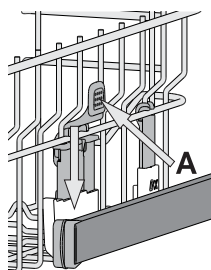
É possível ajustar a altura do cesto superior: utilize uma posição mais elevada para colocar loiça mais volumosa no cesto inferior e uma posição mais baixa para aproveitar ao máximo os suportes rebatíveis, criando mais espaço superior e evitando o choque com os objetos colocados no cesto inferior.

O cesto superior está equipado com um **ajuste de altura do cesto superior** (consulte a figura); sem pressionar as alavancas, eleve o cesto segurando-o pelas partes laterais, logo que o cesto fique estável na posição superior.

Para voltar à posição inferior, pressione as alavancas **A** existentes nas partes laterais do cesto e desloque-o para baixo.

**Recomendamos vivamente que não ajuste a altura do cesto quando este está carregado.**

**NUNCA** eleve ou baixe o cesto apenas de um lado.



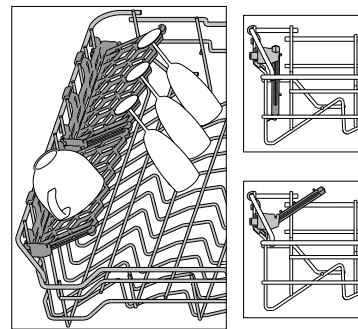
## ABAS DOBRÁVEIS COM POSIÇÃO AJUSTÁVEL

As abas laterais podem ser dobradas ou desdobradas para otimizar a disposição da loiça dentro do cesto.

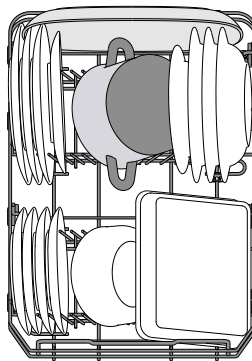
Os copos de vinho podem ser posicionados em segurança nas abas dobráveis, introduzindo o pé de cada copo nas ranhuras correspondentes.

Conforme o modelo:

- para desdobrar as abas, é necessário deslizá-las para cima e rodá-las ou soltá-las dos encaixes e puxá-las para baixo.
- para dobrar as abas, é necessário rodá-las e deslizá-las para baixo ou puxá-las para cima e encaixá-las nos respetivos encaixes.



## CESTO INFERIOR



(exemplo de carga para o cesto inferior)

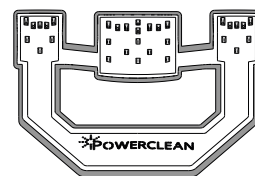
Para tachos, tampas, pratos, saladeiras, talheres, etc.. Os pratos e as tampas grandes devem ser colocados dos lados, a fim de evitar interferências com o braço aspersor.

O cesto inferior tem suportes rebatíveis, que podem ser utilizados numa posição vertical para colocar pratos ou numa posição horizontal (inferior) para colocar facilmente tachos ou saladeiras.

## POWER CLEAN® NO CESTO INFERIOR

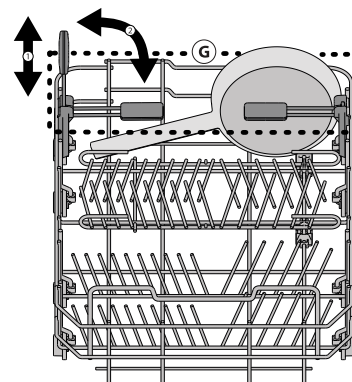
A função Power Clean® utiliza jatos de água especiais situados na parte traseira da cuba para lavar os objetos mais sujos com maior intensidade. O cesto inferior tem uma **zona de espaço** adicional, um suporte especial de puxar na parte traseira do cesto que pode ser utilizado para o suporte de frigideiras ou para os tabuleiros de forno na posição vertical, o que permite que ocupem menos espaço.

Colocando os tachos/panelas voltados para o componente Power Clean®, ative a função **POWER CLEAN** no painel.



Como utilizar a função Power Clean®:

1. Ajuste a área Power Clean® (G) dobrando para baixo os suportes traseiros dos pratos para introduzir tachos.
2. Introduza os tachos e as panelas inclinados na vertical na área Power Clean®. Os tachos têm de estar inclinados na direção dos jatos de água.



# UTILIZAÇÃO DIÁRIA

## 1. VERIFICAR A LIGAÇÃO AO ABASTECIMENTO DE ÁGUA

Certifique-se de que a máquina de lavar loiça está ligada à rede de abastecimento de água e que a torneira está aberta.

## 2. LIGAR A MÁQUINA DE LAVAR LOIÇA

Abra a porta e prima o botão **LIGAR/DESLIGAR**.

## 3. CARREGAR OS CESTOS

(consultar "COMO COLOCAR A LOIÇA NOS CESTOS")

## 4. ENCHER O DISTRIBUIDOR DE DETERGENTE

## 5. SELECIONAR UM PROGRAMA E PERSONALIZAR O CICLO

Selecione o programa mais adequado consoante o tipo de loiça e o nível de sujidade (ver *DESCRIÇÃO DOS PROGRAMAS*), premindo o botão **P**.

Selecione as opções pretendidas (ver *OPÇÕES E FUNÇÕES*).

## 6. INICIAR

Inicie o ciclo de lavagem premindo o botão **INÍCIO/PAUSA** (o LED acende-se) e feche a porta no espaço de 4 segundos. Quando o programa começar, é emitido um sinal sonoro. Se a porta da máquina não for fechada no espaço de 4 segundos, é emitido um sinal sonoro de aviso. Neste caso, abra a porta, prima o botão **INÍCIO/PAUSA** e feche a porta novamente no espaço de 4 segundos.

## 7. FINAL DO CICLO DE LAVAGEM

O final do ciclo de lavagem é indicado através de avisos sonoros (bips), bem como pelo número correspondente ao ciclo de lavagem que começa a piscar no visor. Abra a porta e desligue a máquina premindo o botão **LIGAR/DESLIGAR**.

Aguarde alguns minutos antes de retirar os talheres, a fim de evitar queimaduras. Descarregue os cestos, começando pelo inferior.

**A máquina desliga-se automaticamente durante períodos alargados de inatividade, a fim de reduzir o consumo de energia.**

**Se a loiça estiver apenas ligeiramente suja ou tiver sido passada por água antes de ser colocada na máquina de lavar loiça, diminua a quantidade de detergente utilizado em conformidade.**

## MUDAR UM PROGRAMA EM CURSO

Se tiver sido selecionado um programa incorreto, é possível mudá-lo, desde que o mesmo tenha começado há pouco tempo: abra a porta, prima sem soltar o botão **LIGAR/DESLIGAR** e a máquina desliga-se. Volte a ligar a máquina utilizando o botão **LIGAR/DESLIGAR** e selecione um novo ciclo de lavagem e as opções pretendidas; Inicie o ciclo de lavagem premindo o botão **INÍCIO/PAUSA** e feche a porta no espaço de 4 segundos.

## ADICIONAR MAIS LOIÇA

Sem desligar a máquina, abra a porta (o LED do botão **INÍCIO/PAUSA** começa a piscar), **tendo cuidado com o vapor QUENTE**, e coloque a loiça adicional no interior da máquina de lavar loiça. Prima o botão **INÍCIO/PAUSA** e feche a porta no espaço de 4 segundos para retomar o ciclo no ponto em que foi interrompido.

## INTERRUPÇÕES ACIDENTAIS

Se a porta for aberta durante o ciclo de lavagem ou se houver um corte de energia, o ciclo para. Prima o botão **INÍCIO/PAUSA** e feche a porta no espaço de 4 segundos para retomar o ciclo no ponto em que foi interrompido.

# CONSELHOS E SUGESTÕES

## CONSELHOS

Antes de carregar os cestos, elimine todos os restos de comida da loiça e esvazie os copos. **Não é necessário passar previamente a loiça por água corrente.** Disponha a loiça de modo a que fique firme e não vire; disponha os recipientes com as aberturas voltadas para baixo e os elementos côncavos/convexos na diagonal, a fim de permitir que a água chegue a toda a superfície e flua facilmente.

**Aviso:** as tampas, as pegas, os tabuleiros e as frigideiras não impedem a rotação dos braços aspersores. Coloque os objetos pequenos no cesto dos talheres. A loiça e os tachos muito sujos devem ser colocados no cesto inferior, uma vez que nesta área a aspersão de água é mais intensa e permite obter melhores resultados de lavagem.

Depois de carregar a máquina, certifique-se de que os braços aspersores conseguem rodar livremente.

## LOIÇA INADEQUADA

- Loiça e talheres de madeira.
- Copos frágeis com decoração, artesanato artístico ou loiça antiga. As decorações não são resistentes.
- Peças de material sintético que não resistam a temperaturas altas.
- Loiça de cobre e estanho.
- Loiça suja com cinza, cera, lubrificante ou tinta.

As cores das decorações de peças em vidro e as peças de alumínio/prata podem sofrer alterações e desbotar durante o processo de lavagem. Alguns tipos de vidro (por ex., cristal) podem ficar opacos após alguns ciclos de lavagem.

## DANOS EM VIDRO E LOIÇA

- Coloque apenas vidros e porcelana que tenham garantia do fabricante

como sendo adequados para lavagem na máquina de lavar loiça.

- Utilize um detergente suave adequado para loiça
- Retire os vidros e a loiça da máquina de lavar loiça assim que o ciclo de lavagem termine.

## SUGESTÕES PARA POUPAR ENERGIA

- Se a máquina de lavar loiça for utilizada de acordo com as instruções do fabricante, **um ciclo de lavagem de loiça consome habitualmente MENOS ENERGIA e água do que uma lavagem manual da loiça.**
- Para maximizar a eficiência da máquina de lavar loiça, **recomenda-se que inicie o ciclo de lavagem assim que a máquina esteja totalmente carregada com loiça.** Ao carregar a máquina de lavar loiça até à capacidade máxima indicada pelo fabricante irá contribuir para poupar energia e água. Poderá encontrar informações sobre o carregamento correto da loiça na secção "CARREGAR OS CESTOS". Caso a máquina de lavar loiça seja carregada apenas parcialmente, recomenda-se que utilize as opções de lavagem dedicadas, se disponíveis (Meia carga/ Zone Wash/ Multizone), carregando loiça apenas nos cestos selecionados para o efeito. Carregar ou sobrecarregar incorretamente a máquina de lavar loiça pode aumentar o uso de recursos (como água, energia e tempo, além de aumentar o nível de ruído), reduzindo o desempenho de limpeza e de secagem.
- A pré-lavagem manual de loiça causa um aumento do consumo de água e de energia, não sendo, portanto, recomendada.

## HIGIENIZAÇÃO

Para evitar odores e acumulação de sedimentos na máquina de lavar loiça, **execute um programa de temperatura elevada pelo menos uma vez por mês.** Utilize uma colher de chá de detergente e coloque a máquina a funcionar sem carga para efetuar a limpeza do aparelho.

# LIMPEZA E MANUTENÇÃO

## LIMPAR O CONJUNTO DE FILTROS

Limpe regularmente o conjunto de filtros para que os filtros não fiquem entupidos e para que a água residual flua corretamente.

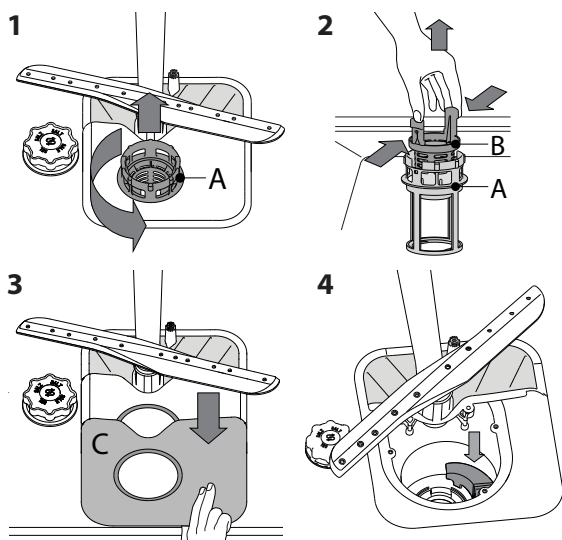
Ao utilizar a máquina de lavar loiça com filtros obstruídos ou objetos estranhos dentro do sistema de filtragem ou nos pulverizadores poderá causar o mau funcionamento da unidade, resultando numa perda de desempenho, num funcionamento ruidoso ou numa maior utilização de recursos.

O conjunto de filtros é composto por três filtros que eliminam os restos de comida da água de lavagem e fazem recircular a água: para obter os melhores resultados de lavagem é necessário limpá-los.

**A máquina de lavar loiça não pode ser utilizada sem filtros ou com os filtros soltos.**

Pelo menos uma vez por mês ou após cada 30 ciclos, verifique o conjunto de filtros e, se necessário, limpe-os muito bem em água corrente, utilizando uma escova não metálica e seguindo as instruções abaixo:

1. Rode o filtro cilíndrico **A** no sentido contrário ao dos ponteiros do relógio e retire-o (Fig. 1).
2. Retire a parte interna do filtro **B** exercendo uma ligeira pressão nas abas laterais (Fig. 2).
3. Faça deslizar para fora o filtro de aço inoxidável **C** (Fig. 3).
4. Caso encontre quaisquer objetos estranhos (tais como vidros e porcelana partidos, ossos de comida, sementes de frutos, etc.) remova-os cuidadosamente.
5. Inspeccione o coletor e retire quaisquer restos de comida. **NUNCA RETIRE** a proteção da bomba do ciclo de lavagem (elemento preto) (Fig. 4).



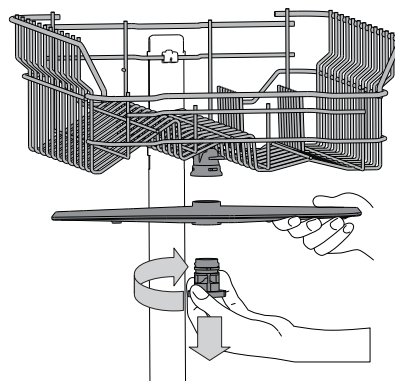
Depois de limpar os filtros, volte a colocar o conjunto de filtros e fixe-o corretamente na devida posição; isto é essencial para manter um funcionamento eficaz da máquina de lavar loiça.

## LIMPAR A MANGUEIRA DE ENTRADA DE ÁGUA

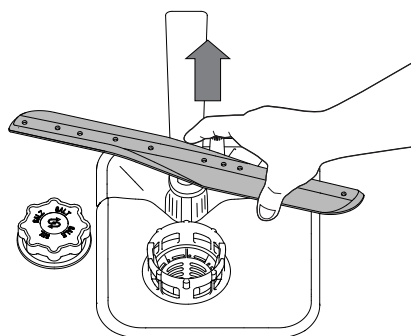
Se as mangueiras da água forem novas ou não tiverem sido utilizadas durante um longo período de tempo, deixe a água correr para garantir que estão desobstruídas e sem impurezas antes de efetuar as ligações necessárias. Se não tomar esta precaução, a entrada de água pode ficar obstruída e danificar a máquina de lavar loiça.

## LIMPAR OS BRAÇOS ASPERSORES

Por vezes, os restos de comida podem acumular-se nos braços aspersores e bloquear os orifícios utilizados para pulverizar a água. Assim, recomenda-se que verifique periodicamente os braços e que os limpe com uma escova pequena não metálica.



Para retirar o braço aspersor superior, rode o anel de bloqueio de plástico no sentido dos ponteiros do relógio. O braço aspersor superior deve ser recolocado de modo a que o lado com mais orifícios fique voltado para cima.



É possível remover o braço aspersor inferior puxando-o para cima.

## SISTEMA DE DESENDERECIMENTO DA ÁGUA

O descalcificador de água reduz automaticamente a dureza da água evitando, conseqüentemente, a acumulação de calcário no aquecedor, e contribuindo também para uma melhor eficiência de limpeza.

**Este sistema regenera-se com sal, portanto, é necessário reabastecer o recipiente de sal sempre que este estiver vazio.**



A frequência da regeneração depende da definição do nível de dureza da água - a regeneração ocorre uma vez a cada **6** ciclos Eco com uma definição de dureza da água de nível **3**.

O processo de regeneração começa no ciclo de enxaguamento final e termina na fase de secagem, antes do término do ciclo.

- Uma única regeneração consome: ~3,5 litros de água;
- Demora até 5 minutos adicionais para o ciclo;
- Consome menos de 0,005 kWh de energia.

# RESOLUÇÃO DE PROBLEMAS

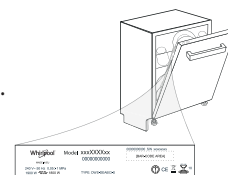
Caso a sua máquina de lavar loiça não funcione corretamente, verifique se consegue resolver o problema através das soluções apresentadas na lista que se segue. Para outros erros ou problemas, entre em contacto com o Serviço de Pós-venda Autorizado, cujos detalhes de contacto podem ser encontrados no livrete da garantia. As peças sobressalentes estarão disponíveis por um período de até 7 ou até 10 anos, de acordo com os requisitos específicos do Regulamento.

PROBLEMAS	CAUSAS POSSÍVEIS	SOLUÇÕES
 O indicador de sal está aceso	O reservatório de sal está vazio. (Após abastecer com sal o indicador poderá permanecer aceso durante vários ciclos de lavagem).	Encha o reservatório com sal (para mais informações consulte a página 2). Ajuste a dureza da água - consulte a tabela na página 2.
 O indicador do abrillantador está aceso	A gaveta do abrillantador está vazia. (Após abastecer com abrillantador o indicador poderá permanecer aceso durante vários ciclos de lavagem).	Encha o reservatório com abrillantador (veja mais informações na página 2).
A máquina de lavar loiça não começa a funcionar ou não responde aos comandos.	A máquina não está ligada corretamente.	Ligue a ficha à tomada.
	Corte de energia.	Por motivos de segurança, a máquina de lavar loiça não reinicia automaticamente quando a energia é reposta. Abra a porta da máquina de lavar loiça, prima o botão INÍCIO/PAUSA e feche a porta no espaço de 4 segundos.
	A porta da máquina de lavar loiça não está fechada.	Empurre vigorosamente a porta até ouvir um "clique".
	O ciclo é interrompido com a abertura da porta durante > 4 segundos.	Prima INÍCIO/PAUSA (Iniciar/Pausa) e feche a porta no espaço de 4 segundos.
A máquina não responde aos comandos. O visor apresenta: <b>9</b> ou <b>12</b> e o LED LIGAR/DESLIGAR pisca rapidamente	A máquina não responde aos comandos.	Desligue a máquina premindo o botão <b>LIGAR/DESLIGAR</b> , volte a ligá-la passado cerca de um minuto e reinicie o programa. Se o problema persistir, desligue o aparelho durante 1 minuto e ligue-o novamente
	O visor apresenta: <b>9</b> ou <b>12</b> e o LED LIGAR/DESLIGAR pisca rapidamente	Desligue a máquina premindo o botão <b>LIGAR/DESLIGAR</b> , volte a ligá-la passado cerca de um minuto e reinicie o programa. Se o problema persistir, desligue o aparelho durante 1 minuto e ligue-o novamente
A máquina de lavar loiça não escoar a água. O visor apresenta: <b>3</b> e o LED LIGAR/DESLIGAR pisca rapidamente	O ciclo de lavagem ainda não terminou.	Aguarde até que o ciclo de lavagem termine.
	O tubo de escoamento está dobrado.	Certifique-se de que o tubo de escoamento não está dobrado ( <i>consulte INSTRUÇÕES DE INSTALAÇÃO</i> ).
	O tubo de escoamento do lava-loiça está obstruído.	Limpe o tubo de escoamento do lava-loiça.
	O filtro está obstruído com restos de comida	Limpe o filtro ( <i>ver LIMPAR O CONJUNTO DE FILTROS</i> ).
A máquina de lavar loiça faz um ruído excessivo.	Os pratos estão a chocar entre si.	Disponha a loiça corretamente ( <i>ver CARREGAR OS CESTOS</i> ).
	Foi produzida uma quantidade excessiva de espuma.	O detergente não foi doseado corretamente ou não é adequado para utilização em máquinas de lavar loiça ( <i>ver ENCHER O DISTRIBUIDOR DE DETERGENTE</i> ). Reinicie o ciclo atual desligando a máquina de lavar loiça e, em seguida, volte a ligá-la. Selecione um novo programa, prima INÍCIO/PAUSA (Início/Pausa) e feche a porta dentro de 4 segundos. Não adicione mais detergente.
A loiça não fica limpa.	A loiça foi disposta de forma incorreta.	Disponha a loiça corretamente ( <i>ver CARREGAR OS CESTOS</i> ).
	Os braços aspersores não conseguem rodar livremente, sendo impedidos pela loiça.	Disponha a loiça corretamente ( <i>ver CARREGAR OS CESTOS</i> ).
	O ciclo de lavagem é demasiado suave.	Selecione um ciclo de lavagem apropriado ( <i>ver TABELA DE PROGRAMAS</i> ).
	Foi produzida uma quantidade excessiva de espuma.	O detergente não foi doseado corretamente ou não é adequado para utilização em máquinas de lavar loiça ( <i>ver ENCHER O DISTRIBUIDOR DE DETERGENTE</i> ).
	A tampa do depósito de abrillantador não está bem fechada.	Certifique-se de que a tampa do distribuidor de abrillantador está fechada.
	O filtro está sujo ou obstruído.	Limpe o conjunto de filtros ( <i>ver LIMPEZA E MANUTENÇÃO</i> ).
A máquina de lavar loiça não se enche de água. O visor apresenta: <b>H</b> , <b>6</b> e o LED LIGAR/DESLIGAR pisca rapidamente	Não há abastecimento de água ou a torneira está fechada.	Certifique-se de que há água ou que a torneira está aberta.
	A mangueira da entrada está dobrada.	Certifique-se de que a mangueira de entrada não está dobrada ( <i>ver INSTALAÇÃO</i> ), volte a programar a máquina e reinicialize-a.
	O filtro da mangueira de entrada de água está obstruído; é necessário limpá-lo.	Depois de efetuar a verificação e a limpeza, desligue a máquina de lavar loiça, volte a ligá-la e reinicie um novo programa.
A máquina de lavar loiça termina o ciclo prematuramente. O visor apresenta: <b>15</b> e o LED LIGAR/DESLIGAR pisca rapidamente	Drene a mangueira que está posicionada demasiado em baixo ou drene para o seu sistema de esgoto doméstico.	Verifique se a extremidade da mangueira de drenagem está colocada à altura correta ( <i>consulte INSTALAÇÃO</i> ). Verifique se existe um sifão no sistema de esgoto doméstico, instale a válvula de admissão de ar, se necessário.
	Existe ar no abastecimento de água.	Verifique se existem fugas de água ou outros problemas que causem a entrada de ar.
A fuga de detergente.	Depende do detergente líquido utilizado e pode ser acentuada em caso de ativação da opção de atraso.	Pequenas fugas não causam avarias na máquina e podem ser evitadas mudando o tipo de detergente líquido ou utilizando pastilhas.

As políticas da empresa, documentação padrão, encomenda de peças sobressalentes e informações adicionais sobre o produto poderão ser consultadas em:

- Utilize o código QR no seu produto.
- Visitando a nossa página web [docs.whirlpool.eu/docs](https://docs.whirlpool.eu/docs) e [parts-selfservice.europeanappliances.com](https://parts-selfservice.europeanappliances.com)
- Em alternativa, **contacte o nosso Serviço Pós-venda** (através do número de telefone contido no livrete da garantia). Ao contactar o nosso Serviço Pós-Venda, indique os códigos fornecidos na placa de identificação do seu produto.

A informação relativa ao modelo pode ser obtida utilizando o código QR indicado na etiqueta energética. A etiqueta inclui também o identificador do modelo, que pode ser utilizado para consultar o portal de registo em <https://eprel.ec.europa.eu>.



# GHID DE REFERINȚĂ PENTRU UTILIZARE ZILNICĂ



VĂ MULȚUMIM CĂ AȚI ACHIZIȚIONAT UN PRODUS WHIRLPOOL.

Pentru a beneficia de servicii complete de asistență,

vă rugăm să vă înregistrați aparatul pe:

[www.whirlpool.eu/register](http://www.whirlpool.eu/register)

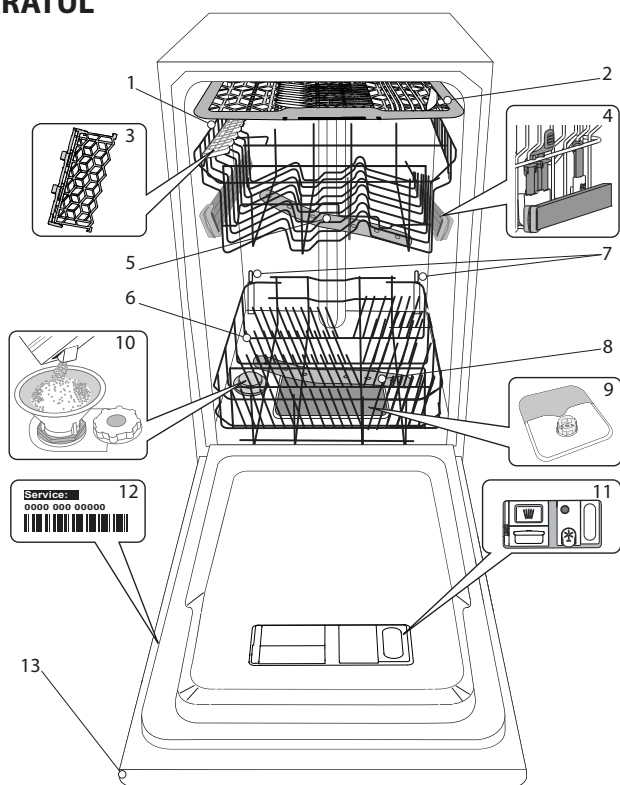
SCANAȚI CODUL QR DE PE APARA-  
TUL DUMNEAVOASTRĂ PENTRU A  
OBTINE INFORMAȚII MAI DETALIAȚE



⚠ Înainte de a utiliza aparatul, citiți cu atenție Instrucțiunile de siguranță.

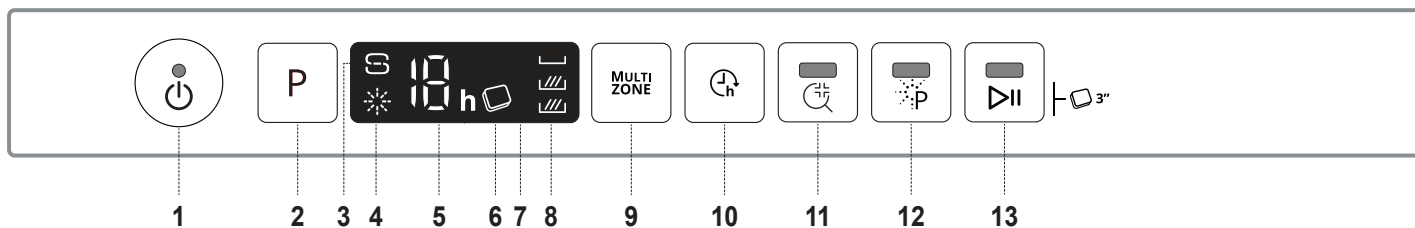
## DESCRIEREA PRODUSULUI

### APARATUL



1. Upper rack
2. Cutlery rack
3. Foldable flaps
4. Upper rack height adjuster
5. Upper spray arm
6. Lower rack
7. Power Clean® support
8. Lower spray arm
9. Filter Assembly
10. Salt reservoir
11. Detergent and Rinse Aid dispensers
12. Rating plate
13. Control panel

### PANOU DE COMANDĂ



1. Buton Pornire/Oprire / Resetare cu indicator luminos
2. Butonul pentru selectarea programelor
3. Indicator luminos de nivel al sărurilor
4. Indicator luminos de nivel al agentului de clătire
5. Numărul programului și indicatorul timpului de întârziere
6. Indicator luminos opțiune Tabletă
7. Afișaj
8. Indicator luminos opțiune Multizone
9. Butonul Multizone
10. Buton Întârziere
11. Buton Clătire Igienizantă cu indicator luminos
12. Buton Power Clean® cu indicator luminos
13. Buton PORNIRE/Pauză cu indicator luminos / Tabletă

# PRIMA UTILIZARE SĂRURI, AGENT DE CLĂTIRE ȘI DETERGENT


## RECOMANDĂRI PRIVIND PRIMA UTILIZARE

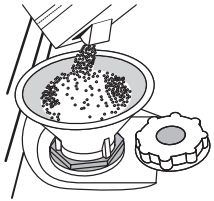
După instalare, demontați opritoarele rafturilor și elementele elastice de fixare a raftului superior.

## UMPLEREA COMPARTIMENTULUI PENTRU SĂRURI

Utilizarea sărurilor previne formarea DEPUNERILOR DE CALCAR pe vase și pe componentele funcționale ale mașinii.

- Este obligatoriu ca **COMPARTIMENTUL PENTRU SĂRURI SĂ NU FIE NICIODATĂ GOL.**
- Este important să setați duritatea apei.

Compartimentul pentru săruri se află în partea inferioară a mașinii de spălat vase (*consultați DESCRIEREA PRODUSULUI*) și trebuie să fie umplut când **indicatorul luminos de NIVEL AL SĂRURILOR**  de pe panoul de comandă este aprins.



1. Demontați raftul inferior și desfiletați capacul compartimentului (în sens antiorar).
2. **Nu mai la prima operațiune de acest fel: umpleți compartimentul pentru săruri cu apă.**
3. Poziționați pâlnia (*consultați figura*) și umpleți compartimentul pentru săruri până la margine (aproximativ 1 kg); este perfect normal să curgă puțină apă în afară.
4. Scoateți pâlnia și ștergeți resturile de săruri de pe deschidere.

Asigurați-vă că este înfiletat bine capacul, astfel încât să nu intre detergent în compartiment în timpul programului de spălare (acest lucru poate avaria iremediabil instalația de dedurizare a apei).

**Oricând trebuie să adăugați săruri, este obligatoriu să finalizați procedura înainte de a începe ciclul de spălare pentru a evita coroziunea.**

## SETAREA DURITĂȚII APEI

Pentru a permite instalației de dedurizare a apei să funcționeze perfect, este esențial ca setarea durității apei să se bazeze pe nivelul de duritate a apei din locuința dumneavoastră. Aceste informații pot fi obținute de la furnizorul local de apă.

Fabricantul setează valoarea implicită pentru duritatea apei.

- Porniți aparatul apăsând pe butonul **PORNIRE/OPRIRE**.
- Opriți aparatul apăsând pe butonul **PORNIRE/OPRIRE**.
- Țineți apăsat butonul **P** timp de 5 secunde, până când auziți un semnal sonor.
- Porniți aparatul apăsând pe butonul **PORNIRE/OPRIRE**.
- Numărul nivelului selectat în mod curent și indicatorul luminos de nivel al sărurilor clipească simultan.
- Apăsați butonul **P** pentru a selecta nivelul de duritate dorit (*consultați TABELUL DURITĂȚII APEI*).

Tabelul durității apei				
	Nivel	°dH Grade germane	°fH Grade franceze	°Clark Grade engleze
1	Moale	0 - 6	0 - 10	0 - 7
2	Medie	7 - 11	11 - 20	8 - 14
3	Normală	12 - 16	21 - 29	15 - 20
4	Dură	17 - 34	30 - 60	21 - 42
5	Foarte dură	35 - 50	61 - 90	43 - 62

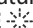
- Opriți aparatul apăsând pe butonul **PORNIRE/OPRIRE**.
- Setarea este finalizată!

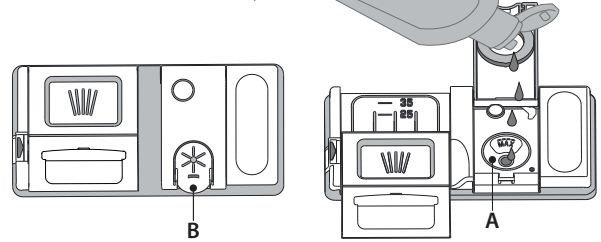
După finalizarea acestei proceduri, rulați un program fără a încărca mașina. **Utilizați numai săruri concepute special pentru mașini de spălat vase.** După ce ați introdus sărurile în mașină, indicatorul luminos de nivel al sărurilor se stinge.

**Dacă compartimentul pentru săruri nu este umplut, este posibilă deteriorarea instalației de dedurizare a apei și a rezistenței din cauza acumulării depunerilor.**

**Se recomandă utilizarea sării indifereent de tipul de detergent pentru mașina de spălat vase.**

## UMPLEREA DOZATORULUI PENTRU AGENT DE CLĂTIRE

Agentul de clătire facilitează uscarea vaselor. Dozatorul pentru agentul de clătire **A** trebuie umplut atunci când **indicatorul luminos de NIVEL AL AGENTULUI DE CLĂTIRE**  de pe panoul de comandă este aprins.



1. Deschideți dozatorul **B** apăsând și trăgând în sus clapeta de pe capac.
  2. Introduceți cu grijă agentul de clătire până la marcajul de referință maxim (110 ml) al spațiului de umplere - evitați scurgerile. În caz contrar, curățați imediat folosind o lavetă uscată.
  3. Apăsați capacul în jos până când auziți un clic de închidere.
- Nu turnați NICIODATĂ agentul de clătire direct în cuvă.**

## REGLAREA DOZEI DE AGENT DE CLĂTIRE

Dacă nu sunteți pe deplin mulțumit de rezultatele de uscare, puteți regla cantitatea de agent de clătire utilizat.

- Porniți mașina de spălat vase folosind butonul **PORNIRE/OPRIRE**.
- Opriți-o folosind butonul **PORNIRE/OPRIRE**.
- Apăsați pe butonul **P** de trei ori - se va auzi un semnal sonor.
- Porniți mașina folosind butonul **PORNIRE/OPRIRE**.
- Numărul nivelului selectat în mod curent și indicatorul luminos de nivel al agentului de clătire clipească.
- Apăsați pe butonul **P** pentru a selecta cantitatea de agent de clătire care trebuie alimentată.
- Opriți mașina folosind butonul **PORNIRE/OPRIRE**.
- Setarea este finalizată!

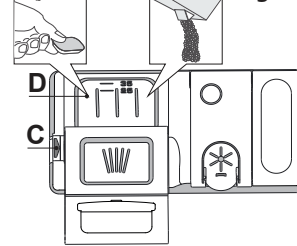
Dacă nivelul de agent de clătire este setat la ZERO (ECO), nu se va alimenta cu agent de clătire. Indicatorul luminos pentru NIVEL SCĂZUT DE AGENT DE CLĂTIRE nu se va aprinde dacă agentul de clătire este consumat. Pot fi setate maxim 5 niveluri în conformitate cu modelul de mașină de spălat vase. Setarea din fabrică este specifică modelului, vă rugăm să respectați instrucțiunile de mai sus pentru a verifica setarea adecvată pentru mașina dumneavoastră.

- Dacă observați urme albastre pe vase, setați un număr mic (1-2).
- Dacă există urme de apă sau depuneri de calcar pe vase, setați un număr mare (3-4).

## UMPLEREA DOZATORULUI DE DETERGENT

**Pentru a deschide dozatorul de detergent, folosiți dispozitivul de deschidere C.**

**Introduceți detergent numai în compartimentul uscat D. Introduceți cantitatea de detergent pentru prespălare direct în cuvă.**



1. Atunci când măsurați cantitatea de detergent, consultați informațiile menționate anterior pentru a adăuga cantitatea corespunzătoare. În interiorul dozatorului **D** există indicații care vă pot ajuta la dozarea detergentului.
2. Îndepărtați resturile de detergent de pe marginile dozatorului și închideți sonor capacul.
3. Închideți capacul dozatorului de detergent trăgând în sus până când dispozitivul de închidere este fixat în poziție.

Dozatorul de detergent se deschide automat la momentul potrivit, în conformitate cu programul.

Dacă se utilizează detergenți universali, vă recomandăm să folosiți butonul **TABLETĂ**, deoarece reglează programul pentru a se obține întotdeauna rezultate optime de spălare și uscare.

**Utilizarea unui detergent care nu este conceput pentru mașinile de spălat vase poate provoca defecțiuni sau deteriorarea mașinii.**

# TABEL CU PROGRAME

Program	Durate de uscare	NaturalDry	Opțiuni disponibile *)	Durata programului de spălare (h:min)**)	Consum de apă (litri/ciclu)	Consum de energie (kWh/ciclu)	
1. Eco	Eco 50°	✓	✓	MULTI ZONE	3:40	9,0	0,67
2. 6 <sup>th</sup> Sense®	50-60°	✓	✓	MULTI ZONE	1:20 - 3:00	7,0 - 14,0	0,70 - 1,10
3. Intensiv	65°	✓	✓	MULTI ZONE	2:45	17,5	1,60
4. Spălare și uscare rapidă	50°	✓	✓	MULTI ZONE	1:25	11,5	1,10
5. Cristal	45°	✓	✓	MULTI ZONE	1:40	12,0	1,20
6. Rapidă 30'	50°	-	✓	MULTI ZONE	0:30	9,0	0,50
7. Prespălare	-	-	-	MULTI ZONE	0:10	4,5	0,01
8. Autocurățare	65°	-	-		0:50	8,0	0,85

Datele programului ECO sunt stabilite în condiții de laborator, în conformitate cu standardul european EN 60436:2020.

Notă pentru laboratoarele de testări: pentru informații privind condițiile testului comparativ EN, trimiteți o solicitare la adresa:

[dw\\_test\\_support@europeanappliances.com](mailto:dw_test_support@europeanappliances.com)

Nu este necesară tratarea în prealabil a vaselor înaintea oricăruia dintre aceste programe.

\*) Nu toate opțiunile pot fi utilizate simultan.

\*\*) Valorile date pentru alte programe diferite de programul Eco sunt doar orientative. Durata actuală poate varia în funcție de o multitudine de factori, cum ar fi temperatura și presiunea apei la intrare, temperatura încăperii, cantitatea de detergent, dimensiunea și tipul încărcăturii, distribuția încărcăturii, opțiunile suplimentare selectate și calibrarea senzorului. Calibrarea senzorului poate mări durata programului cu până la 20 min.

## DESCRIEREA PROGRAMELOR

### Instrucțiuni privind selectarea ciclului de spălare.

#### 1 ECO

Programul Eco este potrivit pentru curățarea tacâmurilor cu un grad mediu de murdărie, fiind cel mai eficient program pentru această utilizare din punct de vedere al consumului combinat de energie și apă și este utilizat pentru a evalua respectarea legislației UE de proiectare ecologică.

#### 2 6<sup>th</sup> SENSE®

Pentru vase cu grad normal de murdărie, cu resturi uscate de alimente. Detectează gradul de murdărie a vaselor și adaptează programul în funcție de acesta. În momentul în care senzorul detectează gradul de murdărie, pe afișaj apare o animație și durata ciclului se actualizează.

#### 3 INTENSIV

Program recomandat pentru vase foarte murdare, adecvat în special pentru tigăi și cratițe (a nu se utiliza în cazul articolelor delicate).

#### 4 SPĂLARE ȘI USCARE RAPIDĂ

Vase normal murdare. Ciclu zilnic, care asigură performanțe de curățare și uscare optime într-un timp mai scurt.

#### 5 CRISTAL

Program pentru articole delicate, mai sensibile la temperaturi ridicate, de exemplu pahare și cești.

#### 6 RAPIDĂ 30'

Program utilizat pentru mașina încărcată pe jumătate cu vase cu grad redus de murdărie, fără resturi uscate de alimente. Nu are etapă de uscare.

#### 7 PRESPĂLARE

Utilizat pentru a împrăști vasele care trebuie să fie spălate mai târziu. A nu se utiliza detergent cu acest program.

#### 8 AUTOCURĂȚARE

Utilizați acest program pentru a efectua întreținerea mașinii de spălat vase; a se realiza numai când mașina de spălat vase este GOALĂ, utilizând detergenți special concepuți pentru întreținerea mașinii de spălat vase.

#### Note:

Vă rugăm să rețineți că ciclul Rapidă 30' este destinat vaselor cu un grad redus de murdărie.

# OPȚIUNI ȘI FUNCȚII

OPȚIUNILE pot fi selectate direct prin apăsarea pe butonul corespunzător (*consultați PANOUL DE COMANDĂ*).

**Dacă o opțiune nu este compatibilă cu programul selectat, consultați TABELUL CU PROGRAME, LED-ul aferent clipește rapid de 3 ori și sunt emise semnale sonore. Opțiunea nu va fi activată.**

## MULTI ZONE MULTIZONE

Dacă nu aveți multe vase de spălat, puteți utiliza programul de încărcare la jumătate pentru a economisi apă, energie electrică și detergent. Selectați programul și apoi apăsați pe butonul MULTIZONE: indicatorul butonului se aprinde, iar simbolul raftului selectat apare pe afișaj. În mod implicit, aparatul spală vasele de pe toate rafturile.

Pentru a spăla numai un anumit raft, apăsați pe acest buton de mai multe ori:



afișat pe ecran (numai raftul inferior)



afișat pe ecran (numai raftul superior)



afișat pe ecran (numai coșul pentru tacâmuri)



afișat pe ecran (opțiunea este DEZACTIVATĂ, iar aparatul va spăla vasele de pe toate rafturile).

**Nu uitați să încărcați numai raftul superior sau numai raftul inferior, și să reduceți cantitatea de detergent în mod corespunzător.**

**Dacă se scoate coșul superior, vă rugăm să aplicați detergentul direct în cuvă, și nu în dozatorul de detergent.**



## INTĂRZIERE

Pornirea programului poate fi amânată pentru o perioadă de timp cuprinsă între **1 și 12** ore.

1. Apăsați pe butonul ÎNTĂRZIERE: pe afișaj apare simbolul corespunzător „h”; la fiecare apăsare pe buton, durata de temporizare (1 h, 2 h etc. până la max. 12 h) până la pornirea ciclului de spălare selectat va crește.

2. Selectați programul de spălare, apăsați pe butonul PORNIRE/PAUZĂ și închideți ușa în decursul a 4 secunde: temporizatorul va începe număratoarea inversă.

3. După finalizarea perioadei de timp setate, indicatorul luminos „h” se stinge, iar ciclul de spălare începe.

Pentru a regla durata de temporizare și pentru a selecta o perioadă mai scurtă de timp, apăsați pe butonul ÎNTĂRZIERE. Pentru a anula, apăsați în mod repetat pe buton până când indicatorul luminos „h” al duratei de temporizare se stinge.

**Funcția ÎNTĂRZIERE nu poate fi setată după pornirea ciclului de spălare.**



## CLĂTIRE IGIENIZANTĂ

Această opțiune poate fi utilizată pentru a igieniza vasele spălate. Va crește temperatura în cadrul clătirii finale și va adăuga un ciclul de spălare cu acțiune antibacteriană la programul selectat.

Selectați programul de spălare, apăsați pe butonul CLĂTIRE IGIENIZANTĂ; indicatorul luminos se va aprinde. Pentru a deselecta opțiunea, apăsați din nou pe același buton. Ideal pentru curățarea vasele și a biberoanelor. Ușa mașinii de spălat vase trebuie să fie ținută închisă pe întreaga durată a programului, pentru a se garanta reducerea numărului de microbi. Dacă se deschide ușa, ledul indicator începe să clipească.

**AVERTISMENT: vasele și tăvile pot fi foarte fierbinți la terminarea ciclului.**



## TABLETĂ

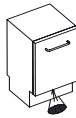
Această setare vă permite să optimizați performanțele programului în funcție de tipul de detergent folosit. Apăsați butonul PORNIRE/PAUZĂ timp de 3 secunde (simbolul corespunzător se va aprinde) în cazul în care utilizați detergenți combinați sub formă de tabletă (agent de clătire, săruri și detergent într-o singură doză).

**Dacă folosiți detergent pudră sau lichid, această opțiune trebuie să fie dezactivată.**



## POWER CLEAN®

Datorită jeturilor cu putere suplimentară, această opțiune oferă o spălare mai intensivă și mai puternică în coșul inferior, într-o anumită zonă. Această opțiune este recomandată pentru spălarea oalelor și a cratițelor. Apăsați pe acest buton pentru a activa POWER CLEAN (indicatorul se aprinde).



## INDICATOR DE FUNCȚIONARE

Lumina unui LED proiectată pe podea indică faptul că mașina de spălat vase este în funcțiune. Poate fi selectat unul dintre următoarele moduri de utilizare:

- Funcție dezactivată.
- Când începe ciclul, lumina se aprinde timp de câteva secunde, rămâne stinsă în timpul desfășurării ciclului și clipește la terminarea acestuia.
- Lumina rămâne aprinsă în timpul desfășurării ciclului și clipește la terminarea acestuia. (mod implicit).

Dacă a fost setată pornirea temporizată, lumina se aprinde fie în primele câteva secunde, fie pe întreaga durată a numărătorii inverse, în funcție de modul b) sau c) setat.

Lumina se stinge de fiecare dată când este deschisă ușa. Pentru a selecta modul preferat, porniți mașina, țineți apăsat butonul **P** până când pe afișaj apare una dintre cele trei litere, apăsați pe butonul **P** până când ajungeți la litera dorită (sau modul dorit), țineți apăsat butonul **P** pentru a confirma selecția.

**Notă: Dacă sistemul NaturalDry este activ și deschide ușa, indicatorul de funcționare nu va clipi la sfârșitul ciclului.**

## NaturalDry

*NaturalDry* este unul de uscare prin convecție, care deschide automat ușa în timpul desfășurării/după desfășurarea etapei de uscare pentru a asigura performanțe excepționale de uscare în fiecare zi.

Ușa se deschide la o temperatură care este sigură pentru mobilierul din bucătăria dvs., astfel ușa nu va fi deschisă atunci când este activă opțiunea CLĂTIRE IGIENIZANTĂ.

Ca protecție suplimentară împotriva acțiunii aburilor, se poate adăuga și o folie de protecție specială pe mașina de spălat vase. Pentru a afla cum trebuie montată folia de protecție, vă rugăm să consultați GHIDUL DE INSTALARE.

Funcționalitatea *NaturalDry* poate fi dezactivată de către utilizator după cum urmează:

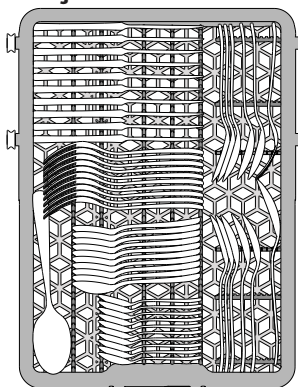
- Accesați meniul software-ului mașinii de spălat apăsând și menținând apăsat butonul **P** (6 secunde).
- Comutați în meniul pentru controlul *NaturalDry* pentru a putea modifica starea funcționalității *NaturalDry* apăsând butonul **P**:

**E** – activat      **d** – dezactivat

Pentru a confirma schimbarea și pentru a ieși din meniul de control, vă rugăm să apăsați și să mențineți apăsat butonul **P** (3 secunde).

# ÎNCĂRCAREA RAFTURILOR

## COȘUL PENTRU TACĂMURI

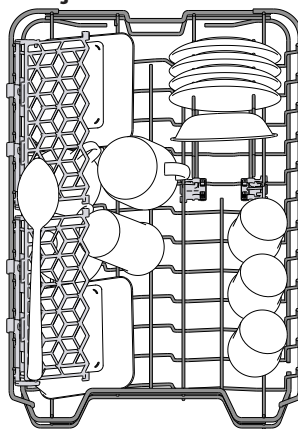


Al treilea nivel a fost conceput pentru depozitarea tacâmurilor. Aranjați tacâmurile conform indicațiilor din figură.

Aranjarea separată a tacâmurilor permite scoaterea cu ușurință a acestora după spălare și optimizează performanțele de spălare și uscare.

**Cuțitele și alte ustensile cu margini ascuțite trebuie poziționate cu lamele în jos.**

## COȘUL SUPERIOR



(exemplu de încărcare pentru raftul superior)

Încărcați vasele delicate și ușoare: pahare, cești, farfurioare, boluri pentru salată puțin adânci.

Raftul superior este prevăzut cu suporturi rabatabile care pot fi utilizate în poziție verticală pentru aranjarea farfuriilor pentru cești de ceai/pentru desert, sau în poziție mai joasă pentru a introduce castroane și caserole.

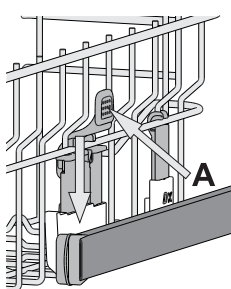
## REGLAREA ÎNĂLȚIMII RAFTULUI SUPERIOR

Înălțimea raftului superior poate fi reglată: în poziție înaltă pentru a introduce vesela voluminoasă pe raftul inferior și în poziție joasă pentru a profita din plin de suporturile rabatabile, creând mai mult spațiu în partea superioară și evitând ciocnirea cu articolele de pe raftul inferior.

Raftul superior este prevăzut cu un mecanism de reglare a înălțimii raftului superior (consultați figura); fără a apăsa pe manete, ridicați în sus ținând pur și simplu de părțile laterale ale raftului, și fixați imediat ce raftul este stabil în poziția de sus. Pentru a reveni în poziția inferioară, apăsați pe manetele **A** din părțile laterale ale raftului și deplasați-l în jos.

**Vă recomandăm cu insistență să nu reglați înălțimea raftului atunci când acesta este încărcat.**

**Nu ridicați și nu coborâți NICIODATĂ raftul numai pe o singură parte.**



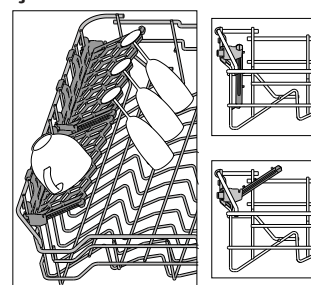
## CLAPETE RABATABILE CU POZIȚIE REGLABILĂ

Clapetele rabatabile laterale pot fi pliate sau depliate pentru a optimiza aranjarea veselei pe raft.

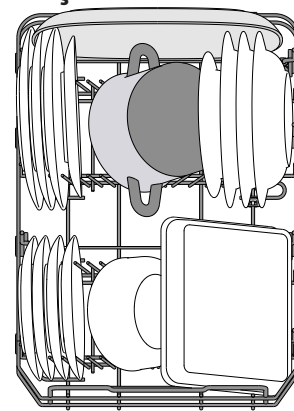
Paharele pentru vin pot fi așezate în siguranță pe clapetele rabatabile, introducând picioarele acestora în fantele corespunzătoare.

În funcție de model:

- pentru a deplia clapetele, este necesar să le glisați în sus și să le rotiți sau să le eliberați din clemele de fixare, trăgându-le în jos.
- pentru a plia clapetele, este necesar să le rotiți și să le glisați în jos sau să le trageți în sus și să le fixați pe poziție.



## COȘUL INFERIOR



(exemplu de încărcare pentru raftul inferior)

Pentru oale, capace, farfurii, boluri pentru salată, tacâmuri etc. În mod ideal, farfuriile și capacele mari trebuie amplasate în părțile laterale, pentru a se evita interferențele cu brațul de pulverizare.

Raftul inferior este prevăzut cu suporturi rabatabile care pot fi utilizate în poziție verticală pentru aranjarea farfuriilor sau în poziție orizontală (joasă) pentru încărcarea cu ușurință a cratițelor și bolurilor pentru salată.

## POWER CLEAN ÎN RAFTUL INFERIOR

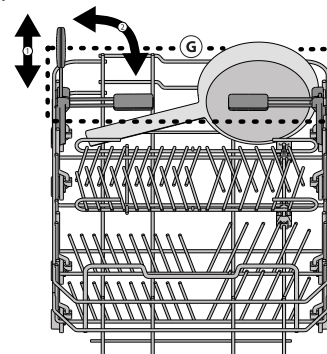
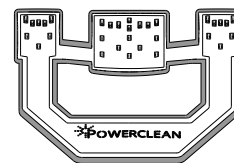
Power Clean® folosește jeturile speciale de apă din partea posterioară a cavității pentru a spăla intensiv articolele foarte murdare.

Raftul inferior este prevăzut cu o zonă de economisire a spațiului, un suport special care se trage din partea din spate a raftului și care poate fi utilizat pentru a susține tigăile sau tăvile de copt în poziție verticală, astfel ocupându-se mai puțin spațiu.

Poziționând oalele/cratițele cu fața spre componenta Power Clean®, vă rugăm să activați **POWER CLEAN** pe panou.

Utilizarea Power Clean®:

1. Reglați zona Power Clean® (G) rabatând în jos suporturile din spate pentru farfurii, pentru a încărca oalele.
2. Încărcați oalele și cratițele înclinate pe verticală în zona Power Clean®. Oalele trebuie să fie înclinate spre jeturile intensive de apă.



# UTILIZAREA ZILNICĂ

## 1. VERIFICAREA RACORDĂRII LA REȚEAUA DE ALIMENTARE CU APĂ

Verificați ca mașina de spălat vase să fie racordată la rețeaua de alimentare cu apă și ca robinetul să fie deschis.

## 2. PORNIREA MAȘINII DE SPĂLAT VASE

Deschideți ușa și apăsați pe butonul de **PORNIRE/OPRIRE**.

## 3. ÎNCĂRCAREA RAFTURILOR (consultați ÎNCĂRCAREA RAFTURILOR).

## 4. UMPLEAREA DOZATORULUI DE DETERGENT

## 5. SELECTAREA PROGRAMULUI ȘI PERSONALIZAREA CICLULUI

Selectați cel mai adecvat program în conformitate cu tipul de veselă și gradul de murdărie al acesteia (consultați *DESCRIEREA PROGRAMELOR*) apăsând pe butonul **P**.

Selectați opțiunile dorite (consultați *OPȚIUNI ȘI FUNCȚII*).

## 6. PORNIREA

Porniți ciclul de spălare prin apăsarea butonului **PORNIRE/Pauză** (LED aprins) și închideți ușa în decursul a 4 secunde. La pornirea programului, se aude un singur semnal sonor. Dacă ușa nu este închisă în decursul a 4 secunde, se aude sunetul de alarmă.

În acest caz, deschideți ușa, apăsați pe butonul **PORNIRE/Pauză** și închideți ușa în decursul a 4 secunde.

## 7. TERMINAREA CICLULUI DE SPĂLARE

Terminarea ciclului de spălare este indicată de semnalele sonore și de clipirea numărului ciclului de spălare pe afișaj. Deschideți ușa și opriți aparatul apăsând pe butonul **PORNIRE/OPRIRE**.

Așteptați câteva minute înainte de a scoate vesela pentru a evita producerea arsurilor. Descărcați rafturile, începând cu cel inferior.

**Mașina se va opri automat în timpul anumitor perioade prelungite de inactivitate, pentru a reduce consumul de electricitate.**

**Dacă vasele prezintă un grad redus de murdărie sau dacă au fost clătite cu apă înainte de a le introduce în mașina de spălat vase, reduceți în mod corespunzător cantitatea de detergent utilizat.**

## MODIFICAREA UNUI PROGRAM CARE RULEAZĂ

Dacă a fost selectat un program greșit, îl puteți schimba, cu condiția ca acesta abia să fi început: deschideți ușa, apăsați și mențineți apăsat butonul de **PORNIRE/OPRIRE** și mașina se va opri. Reporniți mașina folosind butonul de **PORNIRE/OPRIRE** și selectați noul ciclu de spălare, precum și opțiunile dorite; porniți ciclul apăsând pe butonul **PORNIRE/Pauză** și închizând ușa în decursul a 4 secunde.

## ADĂUGAREA DE VASE SUPLIMENTARE

Fără a opri mașina, deschideți ușa (LED-ul pentru **PORNIRE/Pauză** începe să clipească) (**atenție la aburii FIERBINȚII!**) și introduceți vasele în mașină. Apăsați pe butonul **PORNIRE/Pauză** și închideți ușa în decursul a 4 secunde; ciclul va fi reluat din punctul în care a fost întrerupt.

## ÎNTRERUPERI ACCIDENTALE

Dacă ușa este deschisă în timpul ciclului de spălare sau dacă s-a produs o pană de curent, ciclul se oprește. Pentru a relua ciclul din punctul în care a fost întrerupt, apăsați pe butonul **PORNIRE/Pauză** și închideți ușa în decursul a 4 secunde.

# SFATURI ȘI RECOMANDĂRI

## RECOMANDĂRI

Înainte de a încărca rafturile, eliminați toate resturile de alimente de pe vase și goliți paharele. **Nu este necesar să le clătiți în prealabil sub jet de apă curentă.**

Aranjați vesela astfel încât să fie bine poziționată și să nu se răstoarne; de asemenea, aranjați recipientele cu deschiderile în jos și așezați înclinat articolele concave/convexe, pentru a permite apei să ajungă pe orice suprafață și să curgă liber.

**Avertisment:** capacele, mânerele, tăvile și tigăile nu trebuie să împiedice rotirea brațelor de pulverizare.

Amplasați articolele mici în coșul pentru tacâmuri. Vasele și cratițele foarte murdare trebuie așezate pe raftul inferior deoarece în această zonă jeturile de apă sunt mai puternice și se înregistrează performanțe mai mari de spălare. După încărcarea aparatului, asigurați-vă că brațele de pulverizare se pot roti liber.

## VESELĂ NECORESPUNZĂTOARE PENTRU SPĂLAREA ÎN MAȘINĂ

- Veselă și tacâmuri din lemn.
- Pahare cu decorațiuni delicate, veselă artizanală și veselă antică. Aceste decorațiuni nu sunt rezistente la spălarea în mașina de spălat vase.
- Articole din material sintetic care nu sunt rezistente la temperaturi ridicate.
- Veselă din cupru și cositor.
- Veselă murdară de cenușă, ceară, unsoare sau cerneală.

Culorile decorațiunilor de pe articolele din sticlă și ale articolelor din aluminiu/argint se pot modifica și pot albi în timpul procesului de spălare. Unele tipuri de articole din sticlă (de exemplu, obiecte de cristal) pot deveni opace după câteva cicluri de spălare.

## DETERIORAREA PAHARELOR ȘI A VESELEI

- Utilizați numai pahare și veselă din porțelan marcate de către producător ca fiind rezistente la spălarea în mașină.
- Utilizați un detergent delicat pentru veselă
- Scoateți paharele și vesela din mașina de spălat vase imediat ce ciclul de spălare este finalizat.

## RECOMANDĂRI PRIVIND ECONOMISIREA DE ENERGIE

- Atunci când mașina de spălat vase este folosită conform instrucțiunilor producătorului, **spălarea tacâmurilor într-o mașină de spălat vase consumă de obicei MAI PUȚINĂ ENERGIE și apă decât spălarea manuală.**
- Pentru a crește la maximum eficiența mașinii de spălat vase, se recomandă **inițierea ciclului de spălare după ce mașina este încărcată complet.** Încărcarea mașinii de spălat vase de uz domestic până la capacitatea indicată de producător va contribui la economii de energie și apă. Informații despre încărcarea corectă a vaselor pot fi găsite în capitolul ÎNCĂRCAREA RAFTURILOR. În cazul încărcării parțiale, se recomandă utilizarea opțiunilor de spălare dedicate, dacă sunt disponibile (Half load/ Zone Wash/ Multizone), adăugând vase doar pe rafturile selectate. Încărcarea incorectă sau supraîncărcarea mașinii de spălat vase poate crește utilizarea resurselor (cum ar fi apa, energia și timpul, precum și nivelul de zgomot), reducând performanțele de curățare și uscare.
- Pre-clătirea manuală a vaselor duce la creșterea consumului de apă și energie și nu este recomandată.

## IGIENĂ

Pentru a evita acumularea mirosurilor neplăcute și a sedimentelor în mașina de spălat vase, **vă rugăm să rulați un program de temperatură ridicată cel puțin o dată pe lună.** Folosiți o măsură de detergent și rulați un program fără a încărca vase pentru a curăța aparatul.

# CURĂȚAREA ȘI ÎNTREȚINEREA

## CURĂȚAREA ANSAMBLULUI DE FILTRE

Curățați în mod regulat ansamblul de filtre astfel încât filtrele să nu se înfunde și apa reziduală să fie evacuată în mod corespunzător.

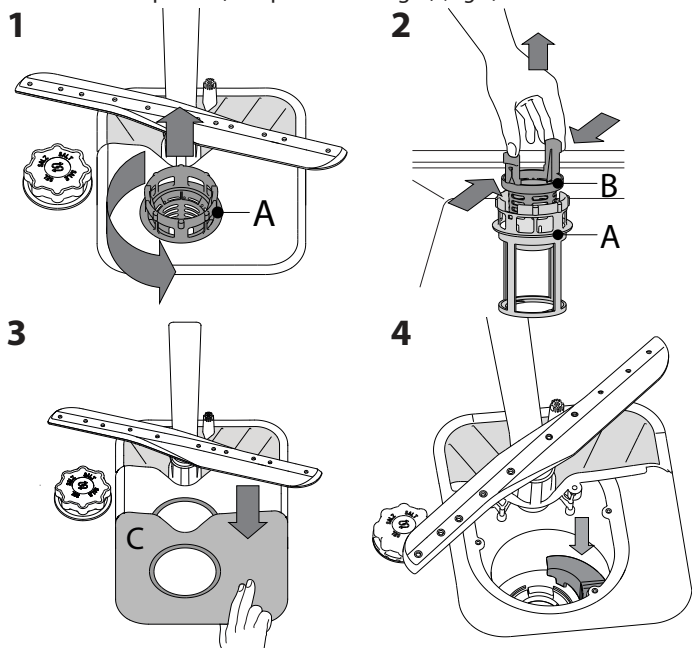
Utilizarea mașinii de spălat vase cu filtre înfundate sau obiecte străine în interiorul sistemului de filtrare sau al brațelor de pulverizare poate provoca defecțiuni ale unității, conducând la scăderea performanței, creșterea nivelului de zgomot sau utilizarea mai multor resurse.

Ansamblul de filtre este alcătuit din trei filtre care îndepărtează resturile de alimente din apa de spălare, permițând apoi recircularea acesteia.

**Mașina de spălat vase nu trebuie utilizată fără filtre sau dacă un filtru este desprins.**

Cel puțin o dată pe lună sau după fiecare 30 de cicluri, verificați ansamblul de filtre și, dacă este necesar, curățați-l temeinic sub jet de apă curentă, folosind o perie nemetalică și respectând instrucțiunile de mai jos:

1. Rotiți filtrul cilindric **A** în sens antiorar și scoateți-l afară (Fig 1).
2. Demontați filtrul în formă de ceașcă **B** apăsând ușor pe clapetele laterale (Fig 2).
3. Culisați în afară placa din oțel inoxidabil a filtrului **C** (Fig 3).
4. În cazul în care găsiți obiecte străine (cum ar fi sticlă spartă, porțelan, oase, semințe de fructe etc.), vă rugăm să le îndepărtați cu atenție.
5. Examinați obturațiile și îndepărtați resturile de alimente.  
**NU DEMONTAȚI NICIODATĂ** protecția pompei acționate în timpul ciclului de spălare (componentă neagră) (Fig 4).



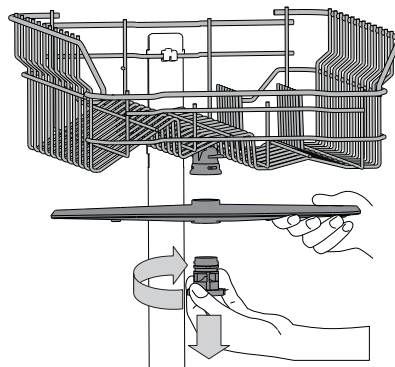
După curățarea filtrelor, montați la loc ansamblul de filtre și fixați-l în poziția corectă; acest lucru este esențial pentru menținerea funcționării eficiente a mașinii de spălat vase.

## CURĂȚAREA FURTUNULUI DE ALIMENTARE CU APĂ

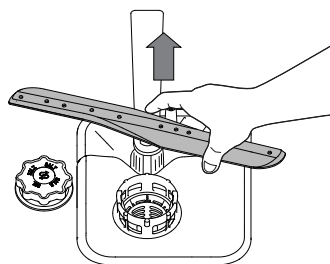
Dacă furtunurile pentru apă sunt noi sau dacă nu au fost utilizate o perioadă lungă de timp, lăsați apa să curgă pentru a vă asigura că acestea sunt curate și că nu prezintă impurități înainte de a efectua conexiunile necesare. Dacă nu luați măsurile de precauție necesare, furtunul de alimentare cu apă se poate bloca și poate deteriora mașina de spălat vase.

## CURĂȚAREA BRAȚELOR DE PULVERIZARE

Ocazional, resturile de alimente se pot usca pe brațele de pulverizare și pot bloca orificiile de pulverizare a apei. Prin urmare, se recomandă să verificați brațele din când în când și să le curățați folosind o perie nemetalică mică.



Pentru a demonta brațul de pulverizare superior, rotiți inelul de fixare din plastic în sens orar. Brațul de pulverizare superior trebuie introdus astfel încât partea cu cele mai multe orificii să fie îndreptată în sus.



Brațul de pulverizare inferior poate fi demontat prin tragerea în sus.

## SISTEMUL DE DEDURIZARE A APEI

Sistemul de dedurizare a apei reduce automat duritatea apei, împiedicând astfel acumularea de depuneri pe încălzitor și contribuind, de asemenea, la creșterea eficienței de curățare.

**Acest sistem se regenerează singur cu sare, de aceea este necesar să reumpleți recipientul pentru sare când este gol.**

Frecvența regenerării depinde de setarea nivelului durității apei - regenerarea are loc odată la 6 cicluri Eco cu nivelul durității apei setat la 3. Procesul de regenerare începe la clătirea finală și se termină în faza de uscare, înainte de terminarea ciclului.

- Procesul de regenerare implică următorul consum: ~3.5 L de apă;
- Adaugă până la 5 minute suplimentare pe ciclu;
- Consumul de energie este sub 0,005 kWh.

# REMEDIEREA PROBLEMELOR

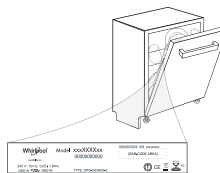
În cazul în care mașina de spălat vase nu funcționează corect, verificați dacă problema poate fi remediată parcurgând lista de mai jos. Pentru alte erori sau probleme, vă rugăm să contactați serviciul de asistență tehnică post-vânzare autorizat, ale cărui date de contact pot fi găsite în certificatul de garanție. Piesele de schimb vor fi disponibile pentru o perioadă de până la 7 sau până la 10 ani, în conformitate cu cerințele normelor specifice.

PROBLEME	CAUZE POSIBILE	SOLUȚII
Indicatorul de sare este aprins	Rezervorul de sare este gol. (După reumplere, indicatorul pentru sare poate rămâne aprins pe durata mai multor cicluri de spălare).	Reumpleți rezervorul cu sare (pentru mai multe informații - vezi pagina 2). Corecțați nivelul de duritate a apei - vezi tabelul de la pagina 2.
Indicatorul agentului de clătire este aprins	Dozatorul pentru agentul de clătire este gol. (După reumplere, indicatorul agentului de clătire poate rămâne aprins pe durata mai multor cicluri de spălare).	Reumpleți dozatorul cu agent de clătire (pentru mai multe informații - vezi pagina 2).
Mașina de spălat vase nu pornește sau nu răspunde la comenzi.	Aparatul nu a fost conectat la priză în mod corect-spunzător.	Introduceți ștecherul în priză.
	Pană de curent.	Din motive de siguranță, mașina de spălat vase nu va reporni automat la restabilirea alimentării cu energie. Deschideți ușa mașinii de spălat vase, apăsați butonul PORNIRE/Pauză și închideți ușa în 4 secunde.
	Ușa mașinii de spălat vase nu este închisă.	Împingeți ferm ușa până când auziți un „clic”.
	Ciclul este întrerupt prin deschiderea ușii timp de > 4 secunde.	Apăsați butonul PORNIRE/Pauză și închideți ușa în decurs de 4 secunde.
	Aparatul nu răspunde la comenzi. Pe afișaj apare: <b>9</b> sau <b>12</b> și LED-ul de PORNIRE/OPRIRE clipește rapid.	Opriti aparatul apăsând pe butonul PORNIRE/OPRIRE, reporniți-l după aproximativ un minut și reporniți programul. Dacă problema persistă, deconectați aparatul timp de 1 minut, apoi conectați-o din nou.
Mașina de spălat vase nu evacuează apa. Pe afișaj apare: <b>3</b> și LED-ul de PORNIRE/OPRIRE clipește rapid.	Încă nu s-a terminat ciclul de spălare.	Așteptați finalizarea ciclului de spălare.
	Furtunul de evacuare este îndoit.	Asigurați-vă că furtunul de evacuare nu este îndoit ( <i>consultați INSTRUCȚIUNILE DE INSTALARE</i> ).
	Conducta de evacuare a chiuvetei este blocată.	Curățați conducta de evacuare a chiuvetei.
	Filtrul este înfundat cu resturi de alimente	Curățați filtrul ( <i>consultați CURĂȚAREA ANSAMBLULUI DE FILTRE</i> ).
Mașina de spălat vase produce zgomot excesiv.	Vasele se lovesc unele de celelalte.	Aranjați corect vesela ( <i>consultați ÎNCĂRCAREA RAFTURILOR</i> ).
	S-a produs o cantitate excesivă de spumă.	Detergentul nu a fost măsurat corect sau nu este adecvat pentru utilizare în mașini de spălat vase ( <i>consultați UMPLEREA DOZATORULUI DE DETERGENT</i> ). Reporniți ciclul curent prin oprirea mașinii de spălat vase, apoi reporniți-o, selectați un program nou, apăsați butonul PORNIRE/Pauză și închideți ușa în decurs de 4 secunde. Vă rugăm să nu mai adăugați detergent.
Vasele nu sunt curate.	Vesela nu a fost aranjată corespunzător.	Aranjați corect vesela ( <i>consultați ÎNCĂRCAREA RAFTURILOR</i> ).
	Brațele de pulverizare nu se pot roti liber, acestea fiind împiedicate de vase.	Aranjați corect vesela ( <i>consultați ÎNCĂRCAREA RAFTURILOR</i> ).
	Ciclul de spălare este prea lejer.	Selectați un ciclu de spălare corespunzător ( <i>consultați TABELUL CU PROGRAME</i> ).
	S-a produs o cantitate excesivă de spumă.	Detergentul nu a fost măsurat corect sau nu este adecvat pentru utilizare în mașini de spălat vase ( <i>consultați UMPLEREA DOZATORULUI DE DETERGENT</i> ).
	Capacul compartimentului pentru agent de clătire nu a fost închis corect.	Asigurați-vă că este închis capacul dozatorului pentru agent de clătire.
	Filtrul este murdar sau înfundat.	Curățați ansamblul de filtre ( <i>consultați secțiunea ÎNGRIJIRE ȘI ÎNTREȚINERE</i> ).
	Lipsește sărurile.	Umpleți compartimentul p pentru săruri ( <i>consultați UMPLEREA COMPARTIMENTULUI PENTRU SĂRURI</i> ).
Mașina de spălat vase nu încarcă apă. Pe afișaj apare: <b>H</b> , <b>6</b> și LED-ul de PORNIRE/OPRIRE clipește rapid.	Nu există apă în rețeaua de alimentare sau robinetul este închis.	Asigurați-vă că există apă în rețeaua de alimentare sau că robinetul este deschis.
	Furtunul de alimentare este îndoit.	Asigurați-vă că furtunul de alimentare nu este îndoit ( <i>consultați INSTALARE</i> ), reprogramați mașina de spălat vase și reporniți-o.
	Sita furtunului de alimentare cu apă este înfundată; aceasta necesită curățare.	După efectuarea controalelor și a curățării, opriți și porniți mașina de spălat vase, iar apoi rulați un program nou.
Mașina de spălat vase termină ciclul prematur. Pe afișaj apare: <b>15</b> și LED-ul de PORNIRE/OPRIRE clipește rapid.	Furtunul de evacuare este poziționat prea jos sau evacuează în sistemul de canalizare local.	Verificați dacă furtunul de evacuare este așezat la înălțimea corectă ( <i>consultați secțiunea INSTALARE</i> ). Verificați dacă evacuarea are loc în sistemul de canalizare local, instalați supapa de admisie a aerului, dacă este necesar.
	Aer în rețeaua de alimentare cu apă.	Verificați alimentarea cu apă pentru a vă asigura că nu există scurgeri sau alte probleme care lasă aerul să pătrundă în interior.
Scurgera de detergent.	Depinde de detergentul lichid utilizat și poate fi accentuată în cazul opțiunii de întârziere activate.	Scurgerile mici nu vor cauza defectarea mașinii și pot fi evitate schimbând tipul de detergent lichid sau folosind tablete.

**Puteți găsi politicile, documentația standard, informațiile despre comandarea pieselor de schimb și informațiile suplimentare despre produs:**

- Utilizarea codului QR de pe produsul dumneavoastră.
- Vizitând site-urile noastre web [docs.whirlpool.eu/docs](https://docs.whirlpool.eu/docs) și [parts-selfservice.europeanappliances.com](https://parts-selfservice.europeanappliances.com)
- Ca alternativă, **contactați serviciul nostru de asistență tehnică post-vânzare** (consultați numărul de telefon din certificatul de garanție). Când contactați serviciul nostru de asistență tehnică post-vânzare, vă rugăm să precizați codurile specificate pe plăcuța cu date de identificare a produsului dumneavoastră.

Informațiile modelului pot fi accesate folosind codul QR indicat pe eticheta energetică. Eticheta include, de asemenea, identificatorul de model care poate fi utilizat pentru a consulta portalul de înregistrare la <https://eprel.ec.europa.eu>.



# PRÍRUČKA PROBLÉMOV



ĎAKUJEME, ŽE STE SI KÚPILI VÝROBK WHIRLPOOL.  
Ak chcete získať komplexnejšiu pomoc a podporu,  
zaregistrujte, prosím, svoj spotrebič na:  
[www.whirlpool.eu/register](http://www.whirlpool.eu/register)

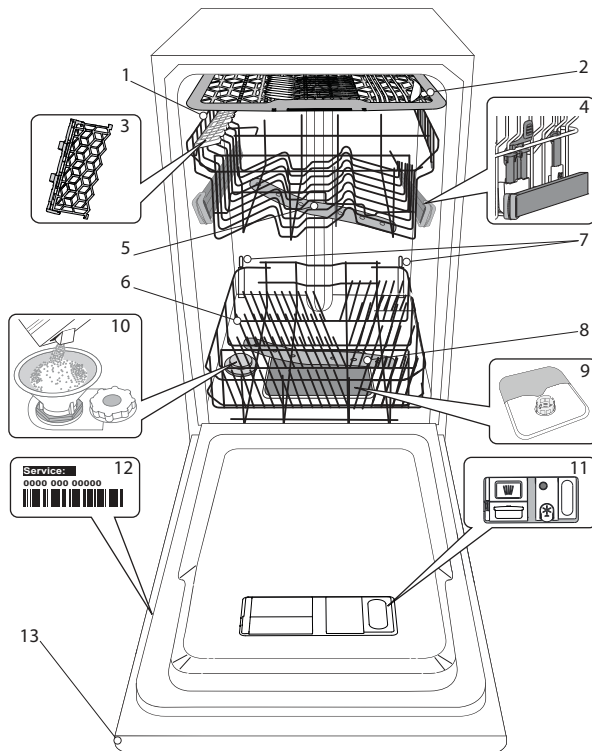
PRE ZÍSKANIE PODROBNEJŠÍCH IN-  
FORMÁCIÍ NASKENUJTE, PROSÍM,  
QR KÓD NA VAŠOM SPOTREBIČI.



**!** Pred použitím spotrebiča si pozorne prečítajte Bezpečnostné Pokyny.

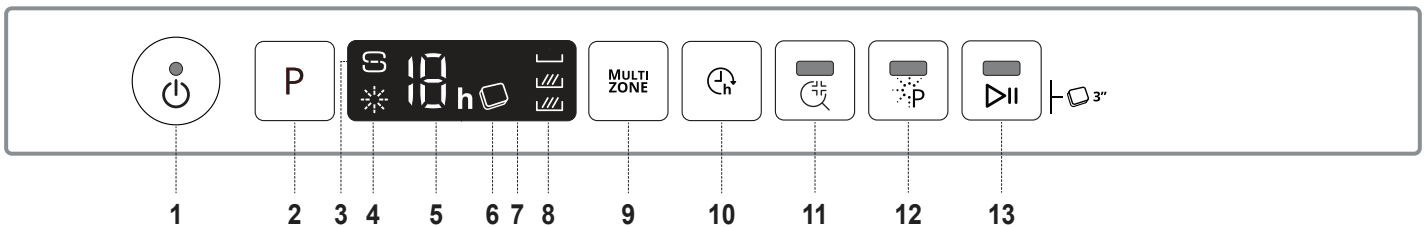
## OPIS VÝROBKU

### SPOTREBIČ



1. Vrchný kôš
2. Kôš na príbor
3. Sklápacie klapky
4. Nastavovanie výšky vrchného koša
5. Horné umývacie rameno
6. Spodný kôš
7. Podpora Power Clean®
8. Spodné umývacie rameno
9. Zostava filtra
10. Zásobník soli
11. Dávkač umývacieho prostriedku a leštidla
12. Výrobný štítok
13. Ovládací panel

### OVLÁDACÍ PANEL



1. Tlačidlo vypínača Zap.-Vyp./ Resetovanie s kontrolkou
2. Tlačidlo na voľbu programu
3. Kontrolka Doplniť soľ
4. Kontrolka Doplniť leštadlo
5. Číslo programu a indikátor času oneskorenia
6. Kontrolka Tableta (Tab)
7. Displej
8. Kontrolka Multizone
9. Tlačidlo Multizone
10. Tlačidlo posunutia štartu
11. Tlačidlo Dezinfekčné Oplachovanie s kontrolkou
12. Tlačidlo Power Clean® s kontrolkou
13. Tlačidlo Štart/Pauza s kontrolou/ Tableta (Tab)

# PRVÉ POUŽITIE SOĽ, LEŠTIDLO A UMÝVACÍ PROSTRIEDOK

## RADY PRI PRVOM POUŽITÍ

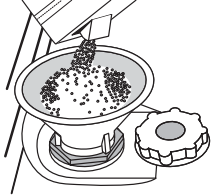
Po inštalovaní odstráňte zarážky na košoch a elastické oporné prvky z horného koša.

## PLNENIE ZÁSObNÍKA SOLI

Používanie soli zabraňuje tvorbe vodného kameňa na riadoch a funkčných komponentoch umývačky.

- Je nevyhnutné, aby **ZÁSObNÍK SOLI NEBOL NIKDY PRÁZDNY**.
- Je dôležité nastaviť tvrdosť vody.

Zásobník soli sa nachádza v spodnej časti umývačky (pozri OPIS VÝROBKU), a musí byť naplnený, keď na ovládacom paneli svieti **indikátor DOPLNIŤ SOĽ**.



1. Vyberte spodný kôš a odskrutkujte uzáver zásobníka (proti smeru hodinových ručičiek).
2. **Vykonáva sa len prvýkrát: zásobník soli naplňte vodou.**
3. Nasadte násypku (pozri obrázok) a naplňte zásobník až po okraj (približne 1 kg); je bežné, že trochu vody vytečie.
4. Vyberte násypku a zvyšky soli na otvore utrite.

Dbajte, aby bol uzáver pevne zatiahnutý, aby sa počas umývacieho programu nedostal do zásobníka umývací prostriedok (mohlo by to nenapraviteľne poškodiť zmäččovač vody).

**Aby sa zabránilo korózii, vždy keď potrebujete pridať soľ, musíte dokončiť postup pred začiatkom umývacieho cyklu.**

## NASTAVENIE TVRDOTI VODY

Aby mohol zmäččovač dokonale pracovať, je dôležité, aby bola tvrdosť vody nastavená podľa skutočnej tvrdosti vody vo vašej domácnosti. Túto informáciu môžete získať od miestneho dodávateľa vody.

Vo výrobe je nastavená štandardná hodnota tvrdosti vody.

- Zapnite spotrebič stlačením tlačidla **ZAP./VYP.**
- Vypnite spotrebič stlačením tlačidla **ZAP./VYP.**
- Na 5 sekúnd podržte tlačidlo **P**, kým sa nezozve pípnutie.
- Zapnite spotrebič stlačením tlačidla **ZAP./VYP.**
- Bliká číslo aktuálnej zvolenej úrovne aj kontrolka soli.
- Stlačením tlačidla **P** zvolte požadovanú tvrdosť vody (pozri **TABUĽKA TVRDOTI VODY**).

Tabuľka tvrdosti vody				
Úroveň	°dH Nemecké stupne	°fH Francúzske stupne	°Clark Anglické stupne	
1	Mäkká	0 - 6	0 - 10	0 - 7
2	Stredná	7 - 11	11 - 20	8 - 14
3	Priemerná	12 - 16	21 - 29	15 - 20
4	Tvrdá	17 - 34	30 - 60	21 - 42
5	Veľmi tvrdá	35 - 50	61 - 90	43 - 62

- Vypnite spotrebič stlačením tlačidla **ZAP./VYP.**

Nastavenie je hotové!

Po skončení tohto postupu spustite program s prázdnu umývačkou.

**Používajte iba soľ určenú špeciálne do umývačiek.**

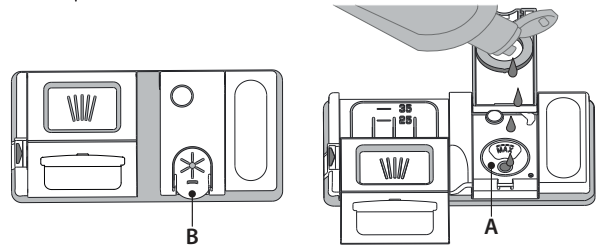
Keď do umývačky nasypete soľ, kontrolka **DOPLNIŤ SOĽ** zhasne.

**Ak zásobník soli nenaplníte, zmäččovač vody a ohrievacie teleso sa môžu poškodiť v dôsledku hromadenia vodného kameňa.**

**Použitie soli sa odporúča s akýmkoľvek typom umývacieho prostriedku do umývačky riadu.**

## PLNENIE DÁVKOVAČA LEŠTIDLA

Leštidlo uľahčuje **SUŠENIE** riadu. Dávkovač leštiaceho prostriedku **A** treba naplniť, keď na ovládacom paneli svieti **kontrolka DOPLNIŤ LEŠTIDLO**.



1. Otvorte dávkovač **B** stlačením a zdvihnutím držiaka na veko.
2. Opatrne nalejte leštidlo až po značku maximum (110 ml) v plniacom priestore – dbajte, aby ste ho nerozliali. Ak sa to stane, leštidlo ihneď utrite suchou handričkou.
3. Zatlačte veko, až počujete cvaknutie.

**NIKDY nelejte leštidlo priamo do vaničky umývačky.**

## NASTAVENIE DÁVKOVANIA LEŠTIDLA

Ak nie ste celkom spokojní s výsledkom sušenia, môžete nastaviť množstvo použitého leštidla.

- Zapnite umývačku pomocou tlačidla **ZAP./VYP.**
- Vypnite ju pomocou tlačidla **ZAP./VYP.**
- Tri razy stlačte tlačidlo **P** – ozve sa pípnutie.
- Zapnite ju pomocou tlačidla **ZAP./VYP.**
- Bliká číslo zvolenej úrovne a kontrolka leštidla.
- Stlačením tlačidla **P** zvolíte úroveň množstva leštidla, ktoré sa má pridávať.
- Vypnite ju pomocou tlačidla **ZAP./VYP.**

Nastavenie je hotové!

Ak je úroveň leštidla nastavená na **NULA (EKO)**, nepridáva sa nijaké množstvo leštidla. Kontrolka **MÁLO LEŠTIDLA** sa nerozsvieti, ani keď sa leštidlo minie. V závislosti od modelu umývačky možno nastaviť maximálne 5 úrovní. Nastavenie z výroby je špecifické pre tento model, dodržujte vyššie uvedené postupy a skontrolujte ho na vašej umývačke.

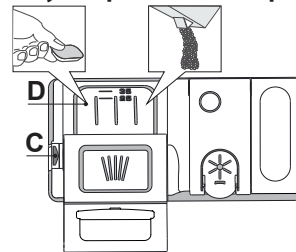
- Ak vidíte na riade modrasté pásiky, nastavte nízku hodnotu (1 – 2).
- Ak sú na riade kvapky vody alebo stopy po vodnom kameni, nastavte vysokú hodnotu (3 – 4).

## PLNENIE DÁVKOVAČA UMÝVACIEHO PROSTRIEDKU

**Dávkovač umývacieho prostriedku otvorte pomocou otváracieho zariadenia C.**

**Umývací prostriedok dávajte iba do suchého dávkovača D.**

**Umývací prostriedok na predumývanie dajte priamo do vaničky.**



1. Pri odmeriavaní umývacieho prostriedku sa riadte uvedenými informáciami, aby ste pridali správne množstvo. Vnútri dávkovača **D** sa nachádzajú značky, ktoré pomôžu pri dávkovaní umývacieho prostriedku.
2. Odstráňte zvyšky umývacieho prostriedku z okrajov dávkovača a až potom veko zatvorte, až sa ozve cvaknutie.
3. Zatvorte veko dávkovača umývacieho prostriedku jeho nadvihnutím, až uzatváracie zariadenie zapadne na miesto.

Dávkovač umývacieho prostriedku sa automaticky otvorí v správnom čase podľa programu.

Ak používate umývací prostriedok typu „všetko v jednom“, odporúčame použiť tlačidlo **TABLETA**, pretože upraví program tak, aby sa vždy dosiahli najlepšie výsledky umývania a sušenia.

**Ak používate čistiaci prostriedok, ktorý nie je určený na umývačky, môžete tým spôsobiť poruchu alebo poškodenie spotrebiča.**

# TABUĽKA PROGRAMOV

Program	Fáza sušenia	NaturalDry	Dostupné možnosti *)	Trvanie umývacieho programu (h:min)**	Spotreba vody (litre/cyklus)	Spotreba energie (kWh/cyklus)
1. Eko ECO 50°	✓	✓	MULTI ZONE	3:40	9,0	0,67
2. 6 <sup>th</sup> Sense® 50-60°	✓	✓	MULTI ZONE	1:20 - 3:00	7,0 - 14,0	0,70 - 1,10
3. Intenzívne	✓	✓	MULTI ZONE	2:45	17,5	1,60
4. Rýchle umývanie a sušenie	✓	✓	MULTI ZONE	1:25	11,5	1,10
5. Krištál'	✓	✓	MULTI ZONE	1:40	12,0	1,20
6. Rýchle 30'	-	✓	MULTI ZONE	0:30	9,0	0,50
7. Predumývanie	-	-	MULTI ZONE	0:10	4,5	0,01
8. Samočistenie	-	-		0:50	8,0	0,85

Údaje z programu EKO sú namerané v laboratórnych podmienkach podľa európskej normy EN 60436:2020.

Poznámka pre Skúšobné laboratóriá: O informácie o podmienkach vykonania komparatívnej skúšky EN môžete požiadať na adrese: [dw\\_test\\_support@europeanappliances.com](mailto:dw_test_support@europeanappliances.com)

Príprava riadu pred umývaním nie je potrebná pri nijakom program.

\*) Nie všetky možnosti možno použiť súčasne s inými.

\*\*\*) Hodnoty uvedené pri iných programoch ako Eko sú iba orientačné. Skutočný čas sa môže líšiť v závislosti od mnohých faktorov, ako sú teplota a tlak privádzanej vody, teplota v miestnosti, množstvo umývacieho prostriedku, množstvo a typ vloženého riadu, jeho rozloženie, ďalšie zvolené možnosti akalibrácia senzoru. Kalibrácia senzoru môže predĺžiť trvanie programu až o 20 minút.

## OPIS PROGRAMOV

### Pokyny pre výber umývacieho cyklu.

#### 1 EKO

Program Eco je vhodný na umývanie bežne zašpineného kuchynského riadu, preto ide o najefektívnejší program na tento účel z hľadiska spotreby energie a vody, ktorý sa používa na stanovenie súladu s legislatívou Ecodesign v rámci EÚ.

#### 2 6<sup>th</sup> SENSE®

Na normálne znečistený riad so zaschnutými zvyškami jedla. Sníma úroveň znečistenia riadu a podľa toho nastavuje program. Počas snímania úrovne znečistenia senzorom sa na displeji zobrazí animácia a aktualizuje sa dĺžka cyklu.

#### 3 INTENZÍVNE

Tento program sa odporúča pri silne znečistenom riade, vhodný je najmä na umývanie panvíc a kastrolov (nepoužívajte ho na krehký riad).

#### 4 RÝCHLE UMÝVANIE A SUŠENIE

Bežne zašpinený riad. Každodenný cyklus, ktorý zabezpečuje optimálny výsledok umývania a sušenia v kratšom čase.

#### 5 KRIŠTÁL'

Program na krehké kusy riadu, ktoré sú citlivejšie na vysoké teploty, napríklad poháre a šálky.

#### 6 RÝCHLE 30'

Program, ktorý sa používa pri polovičnom naplnení mierne zašpineným riadom bez zaschnutých zvyškov jedla. Nemá fázu sušenia.

#### 7 PREDUMÝVANIE

Na odmočenie riadu, ktorý sa bude umývať neskôr. Pri tomto programe sa nepoužíva umývací prostriedok.

#### 8 SAMOČISTENIE

Program slouží k údržbe myčky nádobí. Spuštajte pouze v prípade, že je myčka PRÁZDNÁ a s použitím špeciálneho čistiaceho prostriedku určeného k údržbe myčky.

#### Poznámky:

Upozorňujeme, že cyklus Rýchle 30' je určený na mierne zašpinený riad.

# MOŽNOSTI A FUNKCIE

MOŽNOSTI si môžete zvoliť priamo stlačením príslušného tlačidla (pozri OVLÁDACÍ PANEL).

**Ak možnosť nie je kompatibilná so zvoleným programom pozri TABUĽKU PROGRAMOV, 3 razy rýchlo zabliká príslušná LED kontrolka a ozve sa pípanie. Možnosť sa neaktivuje.**

## MULTI ZONE MULTIZONE

Ak je potrebné umyť menej riadu, možno použiť polovičnú náplň, aby sa ušetrila voda, elektrina a umývací prostriedok. Zvoľte program a potom stlačte tlačidlo MULTIZONE: na displeji sa zobrazí symbol zvoleného koša.

V štandardnom nastavení umývačka umýva riad vo všetkých košoch.

Ak chcete vybrať iba konkrétny kôš, opakovane stlačte toto tlačidlo:



na displeji (iba spodný kôš)



na displeji (iba vrchný kôš)



na displeji (iba košík na príbor)



na displeji (možnosť je vypnutá a umývačka bude umývať riad vo všetkých košoch).

**Nezabudnite, že treba naplniť iba vrchný alebo iba spodný kôš a príslušne znížiť dávku umývacieho prostriedku.**

**Ak vyberiete horný kôš, naneste čistiaci prostriedok priamo do vaničky, nie do zásobníka.**



## POSUNUTIE ŠTARTU

Začiatok programu možno posunúť o 1 až 12 hodín.

1. Stlačte tlačidlo POSUNUTIE ŠTARTU. Na displeji sa zobrazí príslušný symbol „h“; po každom stlačení tlačidla sa čas (1 h, 2 h atď. až po max. 12 h) začiatku zvoleného cyklu umývania posunie.
2. Zvoľte umývací program, stlačte tlačidlo ŠTART/Pauza a do 4 sekúnd zatvorte dvierka. Časomer začne odpočítavanie.
3. Po uplynutí zvoleného času kontrolka „h“ zhasne a umývací program sa spustí.

Ak chcete upraviť čas posunutia štartu a vybrať kratší čas, stlačte tlačidlo POSUNUTIE ŠTARTU. Ak ho chcete zrušiť, opakovane stláčajte tlačidlo, kým kontrolka posunutého štartu „h“ nezhasne.

**Po spustení programu už funkciu posunutia štartu nemožno nastaviť.**



## TABLETA (Tab)

Toto nastavenie umožňuje optimalizovať výkonnosť programu podľa použitého druhu umývacieho prostriedku.

Tlačidlo ŠTART/PAUZA stlačte na 3 sekundy (rozsvieti sa príslušný symbol), ak používate kombinovaný umývací prostriedok vo forme tablety (leštidlo, soľ a umývací prostriedok v 1 dávke).

**Ak používate prášok alebo tekutý umývací prostriedok, táto možnosť má byť vypnutá.**



## POWER CLEAN®

Vďaka prídavným výkonným dýzám táto funkcia umožňuje intenzívnejšie a účinnejšie umývanie v spodnom koši v špecifickej oblasti. Táto možnosť sa používa na umývanie hrncov a kastrolov. Stlačením tohto tlačidla aktivujete funkciu POWER CLEAN (rozsvieti sa kontrolka).



## DEZINFEKČNÉ OPLACHOVANIE

Túto funkciu môžete použiť na dezinfekciu umyťého riadu.

Zvýši teplotu záverečného oplachovania a pridá k zvolenému programu antibakteriálne umývanie.

Táto možnosť umožňuje použitie vyššej teploty.

Zvoľte umývací program, stlačte tlačidlo DEZINFEKČNÉ OPLACHOVANIE; rozsvieti sa kontrolka. Vybranú možnosť zrušíte opätovným stlačením tlačidla. Ideálne na umývanie porcelánu a detských fľašiek. Dvierka umývačky musia byť počas celého programu zatvorené, aby bolo zaručené zredukovanie baktérií. Pri otvorení dvierok začne blikať svetelná kontrolka.

**UPOZORNENIE: porcelánové šálky a taniere môžu byť na konci cyklu veľmi horúce.**



## INDIKÁTOR PREVÁDZKY

Svetlo kontrolky LED premietané na dlážku signalizuje, že umývačka pracuje. Možno zvoliť jeden z nasledujúcich pracovných režimov:

- a) Deaktivovaná funkcia.
- b) Na začiatku cyklu sa svetielko na pár sekúnd rozsvieti, počas cyklu je vypnuté a na konci cyklu bliká.
- c) Svetielko zostane počas cyklu rozsvietené a na konci cyklu bliká (predvolený režim).

Ak je nastavený odložený štart, svetielko svieti buď prvých pár sekúnd alebo počas celého odpočítavania, podľa toho, či je nastavený režim b) alebo c).

Zakaždým, keď sa otvorí dvierka, svetielko zhasne. Pre voľbu požadovaného režimu umývačku zapnite, podržte tlačidlo P, kým sa na displeji neukáže jedno z troch písmen, stláčajte tlačidlo P, kým nedosiahnete požadované písmeno (alebo režim), podržaním tlačidla P výber potvrdíte.

**Poznámka: Ak je aktívny NaturalDry a otvorí dvere, kontrolka činnosti nebude na konci cyklu blikať.**

## NaturalDry

NaturalDry je konvekčný systém sušenia, ktorý automaticky otvorí dvierka počas/po fáze sušenia, aby každý deň zaručil výnimočný výsledok sušenia. Dvierka sa otvárajú pri teplote, ktorá neohrozí váš kuchynský nábytok, preto sa neotvorí, ak je zvolená možnosť DEZINFEKČNÉ OPLACHOVANIE.

Ako doplnková ochrana pred parou bola k umývačke priložená špeciálne navrhnutá ochranná fólia. Spôsob nainštalovania ochrannej fólie nájdete v NÁVODE NA INŠTALÁCIU.

Funkciu NaturalDry môže používateľ vypnúť nasledovným spôsobom:

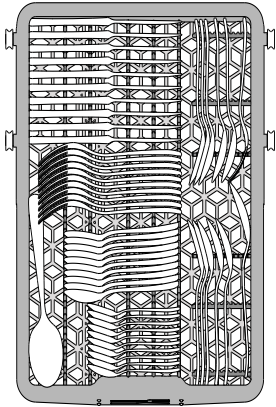
1. Otvorte ponuku softvéru umývačky stlačením a podržaním tlačidla P (6 sekúnd).
2. Nachádzate sa v ponuke Ovládanie osvetlenia (pozrite si opis INDIKÁTOR PREVÁDZKY). Ak nechcete nič zmeniť, stlačte a podržte tlačidlo P (kým sa na displeji neukáže jedno z dvoch písmen).
3. Prepli ste na ponuku Ovládanie NaturalDry, stlačením tlačidla P môžete zmeniť stav funkcie NaturalDry:

**E** – zapnuté    **d** – vypnuté

Potvrdte zmenu a zatvorte ponuku ovládania stlačením a podržaním tlačidla P (3 sekundy).

# UKLADANIE RIADU DO KOŠOV

## KOŠÍK NA PRÍBOR



Tretí košík je určený na ukladanie príboru. Príbor uložte, ako je uvedené na obrázku.

Vďaka oddelenému uloženiu sa príbor po umytí ľahšie vyberá a dosiahne sa lepší výsledok umývania a sušenia.

**Nože a ostatné kusy príboru s ostrými hrotmi treba uložiť do košíka na príbor hrotmi nadol.**

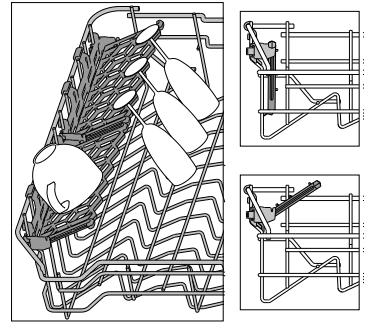
## SKLÁPACIE KLAPKY S NASTAVITEĽNOU POLOHOU

Postranní sklopné opěrky lze sklopit nebo vyklopit za účelem lepšího uspořádání nádobí v koši.

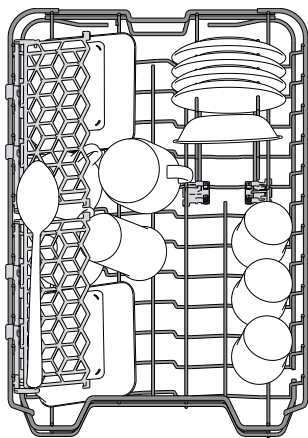
Do sklopných opěrek je možno bezpečne umiestiť sklenice na víno, a to tak, že stopku každé z nich opreme do príslušného vybrání.

Podle modelu:

- vyklopení opěrek: je třeba je posunout nahoru a otočit jimi nebo je uvolnit z přichytek a zatáhnout směrem dolů;
- sklopení opěrek: je třeba jimi otočit a posunout je dolů, nebo je vytáhnout směrem nahoru a připnout do přichytek.



## VRCHNÝ KÔŠ



Ukladajte doň krehké a ľahké nádoby: poháre, šálky, tanieriky, nízke šalátové misky.

Vrchný kôš má oporu proti prevráteniu, ktorú možno použiť vo vertikálnej polohe pri ukladaní podšálok a dezertných tanierikov alebo v spodnej polohe na ukladanie misiek a nádob na jedlo.

(príklad naplnenia vrchného koša)

## NASTAVENIE VÝŠKY VRCHNÉHO KÔŠA

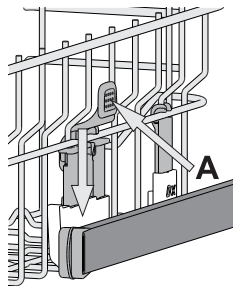
Výška vrchného koša je nastaviteľná: vysoká poloha umožňuje uložiť do spodného koša objemný riad a nízka poloha umožňuje čo najlepšie využiť opory proti prevráteniu vytvorením väčšieho miesta smerom nahor a vyhnúť sa tomu, aby riad narážal o veci v spodnom koši.

Vrchný kôš je vybavený **nastavovačom výšky vrchného koša** (pozri obrázok), bez stlačenia páčok ho jednoducho nadvihnete uchopením bočnic koša, len čo je kôš v stabilnej hornej polohe.

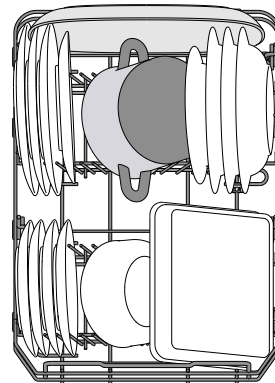
Na vrátenie do spodnej polohy stlačte páčky **A** na bokoch koša a posuňte kôš nadol.

**V žiadnom prípade neodporúčame nastavovať výšku koša, keď je plný.**

**NIKDY nezdvíhajte ani nespúšťajte kôš iba na jednej strane.**



## SPODNÝ KÔŠ



(príklad naplnenia spodného koša)

Na hrnce, pokrievky, taniere, šalátové misky, príbor a pod. Veľké taniere a pokrievky by mali byť uložené po bokoch, aby na ne ostrekovacie ramená nenarážali.

Spodný kôš má opory proti prevráteniu, ktoré možno použiť v zvislej polohe pri ukladaní tanierov alebo v horizontálnej polohe (nižšie) pre ľahké uloženie panvíc a šalátových mís.

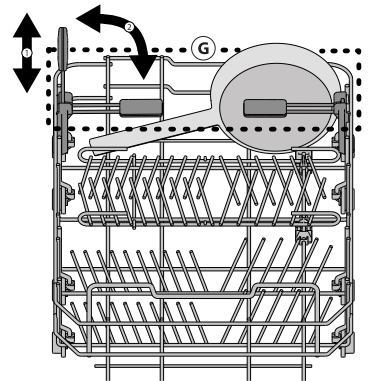
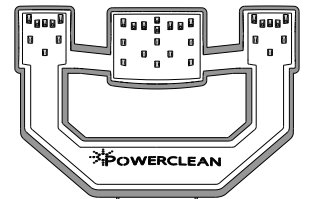
## FUNKCIA POWER CLEAN® V SPODNOM KÔŠI

Funkcia Power Clean® využíva špeciálne vodné dýzy v zadnej časti priestoru na intenzívne umývanie veľmi špinavých nádob. Spodný kôš má oddeľovaciu zónu (**Podpora Power Clean®**), špeciálnu vyťahovaciu oporu v zadnej časti koša, ktorá môže slúžiť na podopretie panvíc alebo plechov na pečenie, aby boli v zvislej polohe a zabrali tak menej miesta.

Po umiestnení hrncov/kastrólov oproti komponentu Power Clean® aktivujte na ovládacom paneli **POWER CLEAN**.

Ako používať Power Clean®:

1. Upravte priestor Power Clean® (G) sklopením zadných držiakov tanierov, aby sa tam zmestili hrnce.
2. Vložte vertikálne naklonené hrnce a kastróly do oblasti Power Clean®. Hrnce musia byť naklonené smerom k vodným dýzám.



# KAŽDODENNÉ POUŽÍVANIE

## 1. SKONTROLUJTE PRIPOJENIE K VODOVODU

Skontrolujte, či je spotrebič pripojený k vodovodnej sieti a či je otvorený vodovodný ventil.

## 2. ZAPNITE UMÝVAČKU

Otvorte dvierka a stlačte tlačidlo **ZAP./VYP.**

## 3. ULOŽTE RIAD DO KOŠOV

(pozri **UKLADANIE RIADU DO KOŠOV**)

## 4. PLNENIE DÁVKOVAČA UMÝVACIEHO PROSTRIEDKU

## 5. ZVOĽTE PROGRAM A UPRAVTE SI CYKLUS PODĽA ŽELANIA

Vyberte najvhodnejší program podľa typu nádob a stupňa zašpinenia (pozri **OPIS PROGRAMOV**) stlačením tlačidla **P**.

Vyberte želané možnosti (pozri **MOŽNOSTI A FUNKCIE**).

## 6. ŠTART

Stlačením tlačidla **ŠTART/Pauza** (LED svieti) a zatvorením dvierok do 4 sekúnd spustíte cyklus umývania. Program sa začne po jednom pípnutí. Ak dvierka nezatvoríte do 4 sekúnd, ozve sa výstražný signál. V takom prípade dvierka otvorte, stlačte tlačidlo **ŠTART/Pauza** a do 4 sekúnd dvierka znovu zatvorte.

## 7. UKONČENIE CYKLU UMÝVANIA

Na konci umývacieho cyklu sa ozvú pípania a na displeji bliká číslo umývacieho cyklu. Otvorte dvierka a vypnite spotrebič stlačením tlačidla **ZAP./VYP.**

Niekoľko minút počkajte, aby ste sa nepopálili, a potom nádoby vyberte. Vložte riad z košov, začnite od spodného.

Po dlhšej dobe nečinnosti sa spotrebič automaticky vypne, aby sa minimalizovala spotreba elektrickej energie. Ak je riad iba mierne znečistený, alebo bol pred vložením do umývačky opláchnutý vodou, primerane znížte množstvo umývacieho prostriedku.

## ÚPRAVA BEŽIACEHO PROGRAMU

Ak ste zvolili nesprávny program, je možné ho zmeniť za predpokladu, že od jeho spustenia uplynula len krátka chvíľa: otvorte dvierka, stlačte a podržte tlačidlo **ZAP./VYP.** a spotrebič sa vypne.

Znova spotrebič zapnite pomocou tlačidla **ZAP./VYP.** a zvolte nový umývací cyklus a požadovanú možnosť; Stlačením tlačidla **ŠTART/Pauza** a zatvorením dvierok do 4 sekúnd spustíte cyklus umývania.

## PRIDANIE ĎALŠIEHO RIADU

Bez vypnutia spotrebiča otvorte dvierka (LED kontrolka **ŠTART/Pauza** začne blikat) (**dajte pozor na HORÚCU paru!**) a vložte riad do umývačky. Stlačte tlačidlo **ŠTART/Pauza** a do 4 sekúnd zatvorte dvierka, cyklus bude pokračovať od bodu, v ktorom bol prerušený.

## NÁHODNÉ PRERUŠENIA

Ak sa dvierka otvoria počas umývacieho cyklu alebo pri výpadku elektriny, cyklus sa zastaví. Stlačte tlačidlo **ŠTART/Pauza** a do 4 sekúnd zatvorte dvierka, cyklus bude pokračovať od bodu, v ktorom bol prerušený.

# RADY A TIPY

## TIPY

Pred naložením riadu do košov odstráňte všetky zvyšky jedla z nádob a vyprázdňte poháre. **Riad nemusíte vopred oplachovať pod tečúcou vodou.**

Uložte nádoby tak, aby sedeli pevne na mieste a neprevrátili sa; a uložte ich tak, aby boli otvorené nadol, a vypuklé časti, aby boli naklonené a voda sa tak mohla voľne dostať ku všetkým povrchom.

**Pozor:** veká, rúčky, podnosy a panvice na vysmážanie nesmú brániť otáčaniu ostrekovacích ramien.

Drobné veci ukladajte do košíka na príbor.

Veľmi špinavý riad a hrnce treba ukladať do spodného koša, lebo v tejto časti sú prúdy vody silnejšie a zvyšujú umývací výkon.

Po naplnení spotrebiča sa presvedčte, či sa ostrekovacie ramená môžu voľne otáčať.

## NEVHODNÉ PREDMETY

- Drevené nádoby a príbor.
- Krehké zdobené poháre, umelecký ručne maľovaný a starožitný porcelán. Ich zdobenie nie je odolné.
- Časti z plastu, ktoré nie sú odolné voči vysokým teplotám.
- Medené a cínové nádoby.
- Riad zašpinený od popola, vosku, mazadiel alebo atramentu.

Farby ozdôb na skle a hliníkové/strieborné kusy sa môžu počas umývania meniť a vyblednúť. Niektoré typy skla (napr. krištáľové predmety) môžu po niekoľkých umytiach zmatnieť.

## POŠKODENIE SKLA A PORCELÁNU

- Používajte iba sklo a porcelán, pri ktorých výrobca zaručuje, že ich možno bezpečne umývať v umývačke.
- Používajte jemný umývací prostriedok vhodný na porcelán
- Vytiahnite poháre a príbor z umývačky hneď po skončení umývacieho cyklu.

## TIPY NA ÚSPORU ENERGIE

- Keď používate umývačku riadu do domácnosti v súlade s pokynmi výrobcu, **pri umývaní kuchynského riadu v umývačke sa spravídla spotrebuje MENEJ ENERGIE a vody ako pri ručnom umývaní riadu.**
- Na dosiahnutie maximálnej efektivity umývačky riadu sa odporúča **spustiť cyklus umývania až potom, čo bude kompletne naplnená.** Ak naložíte umývačku riadu až do kapacity uvedenej výrobcom, prispějete tým k úspore energie a vody. Informácie o správnom nakladaní riadu nájdete v kapitole s názvom **NAKLADANIE KOŠOV**. V prípade čiastočného naplnenia sa odporúča používať špecializované možnosti umývania (Polovičná náplň/Zónové umývanie/Multizónové umývanie), ak sú k dispozícii, a naplniť iba konkrétne koše. Pri nesprávnom alebo nadmernom naplnení sa môže zvýšiť spotreba umývačky (či už ide o spotrebu vody, energie, času alebo väčšiu mieru hluku), čo povedie k zníženiu výkonu pri umývaní a sušení.
- Manuálne predbežné oplachovanie kuchynského riadu má za následok zvýšenú spotrebu vody a energie, a preto sa neodporúča.

## HYGIENA

Aby ste sa vyhli zápachu a usadeninám, ktoré sa môžu nahromadiť v umývačke, **aspoň raz do mesiaca spustíte program s vysokou teplotou.** Do prázdnej umývačky dajte čajovú lyžičku umývacieho prostriedku a pustite ju naprázdno, aby sa vyčistila.

# STAROSTLIVOSŤ A ÚDRŽBA

## ČISTENIE ZOSTAVY FILTRA

Zostavu filtra pravidelne čistite, aby sa filtre neupchali a odpadová voda mohla správne odtekať.

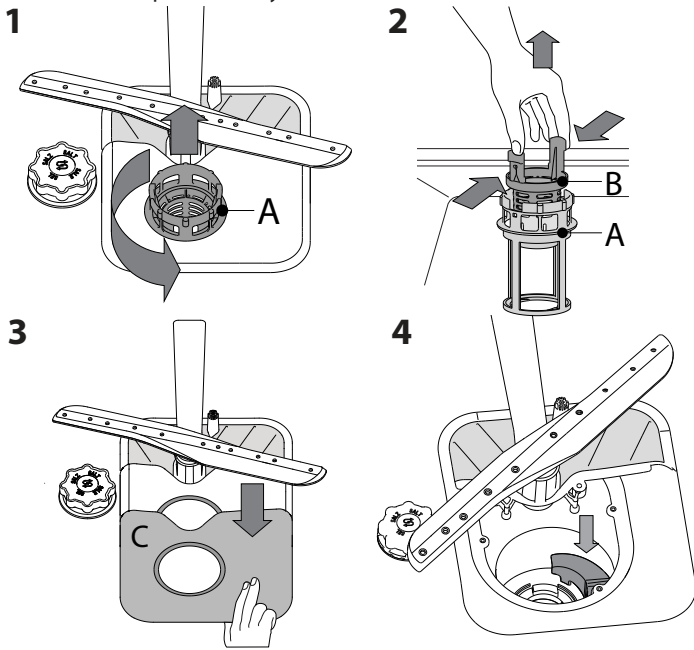
Ak používate umývačku riadu s upchatými filtrami alebo s cudzími telesami vo filtračnom systéme či v ostrekovacích ramenách, môže to spôsobiť poruchu s následným zhoršením výkonu, nárastom hluku alebo zvýšením spotreby.

Zostava filtra pozostáva z troch filtrov, ktoré odstraňujú zvyšky jedla z umývačky a potom vodu recirkulujú.

**Umývačku nesmiete používať bez filtrov, alebo ak je filter uvoľnený.**

Aspoň raz mesačne alebo zakaždým po 30 cykloch skontrolujte zostavu filtra a v prípade potreby ju pomocou nekovovej kefky dôkladne vyčistite pod tečúcou vodou podľa nižšie uvedených pokynov:

1. Otočte valcovým filtrom **A** proti smeru hodinových ručičiek a vytiahnite ho (obr. 1).
2. Vytiahnite vrchný filter **B** jemným zatlačením na bočné klapky (obr. 2).
3. Vyberte plechový filter z nehrdzavejúcej ocele **C** (obr. 3).
4. V prípade, že nájdete cudzie telesá (napr. úlomky skla, porcelánu, kostí, ovocné semená a pod.), **opatrne ich vyberte**.
5. Skontrolujte sifón a odstráňte zvyšky jedla. **NIKDY NEVYBERAJTE ochranu čerpadla (čierny dielec)** (obr. 4).



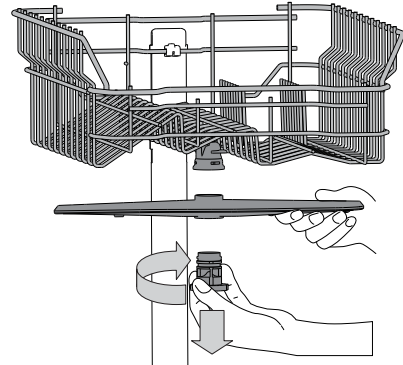
Po vyčistení filtrov zostavu filtrov vložte na miesto a zafixujte v správnej polohe; je to dôležité pre správnu činnosť umývačky.

## ČISTENIE PRÍVODNEJ HADICE

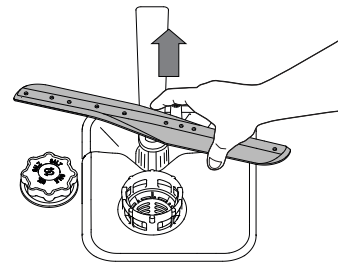
Ak sú hadice nové alebo sa dlhší čas nepoužívali, nechajte cez ne pretiecť vodu, aby ste sa ubezpečili, že sú priepustné a nenachádzajú sa v nich nečistoty, až potom ich pripojte. Ak tento krok vynecháte, prívod vody sa môže upchať a poškodiť umývačku.

## ČISTENIE OSTREKOVACÍCH RAMIEN

Občas sa zvyšky jedla môžu zasušiť aj na ostrekovacích ramenách a zablokovať dierky, cez ktoré strieka voda. Preto sa odporúča občas ramená kontrolovať a čistiť ich malou nekovovou kefkou.



Horné ostrekovacie rameno odstránite pootočením plastového upevňovacieho krúžku v smere pohybu hodinových ručičiek. Vrchné rameno treba vymeniť tak, aby strana s väčším počtom dierok smerovala nahor.



Spodné ostrekovacie rameno možno vybrať potiahnutím nahor.

## SYSTÉM NA ZMÄKČOVANIE VODY

Zmäkčovač vody automaticky znižuje tvrdosť vody, čím zároveň zabráňuje tvorbe vodného kameňa v ohrievači a prispieva k vyššej efektívnosti umývania.

**Tento systém sa automaticky regeneruje pomocou soli, a preto je nutné pravidelne dopĺňať zásobník soli, keď bude prázdny.**



Intervaly vykonávania regenerácie závisia od nastavenia tvrdosti vody – regenerácia sa vykonáva raz za 6 Eko cyklov, ak je tvrdosť vody nastavená na 3.

Proces regenerácie sa začne počas záverečného oplachovania a skončí sa počas fázy sušenia ešte predtým, než sa skončí celý cyklus.

- Pri regenerácii sa spotrebuje: približne 3,5 litra vody;
- Pridá k cyklu dodatočných 5 minút;
- Spotrebuje sa pri nej 0,005 kWh energie.

# URIEŠENIE PROBLÉMOV

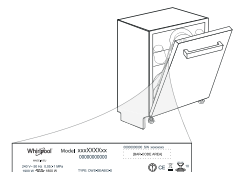
Ak vaša umývačka riadnu nefunguje správne, zistíte, či problém nemožno vyriešiť po konzultácii s nasledujúcim zoznamom. V prípade ďalších chýb a problémov sa obráťte na autorizovaný popredajný servis, pričom kontaktné údaje nájdete v záručnej knižke. Náhradné diely budú k dispozícii počas 7 alebo až 10 rokov podľa konkrétnych požiadaviek nariadení.

PROBLÉMY	MOŽNÉ PRÍČINY	RIEŠENIA
 Kontrolka úrovne soli svieti	Zásobník soli je prázdny. (Po doplnení soli môže kontrolka svietiť ešte niekoľko cyklov umývania).	Doplňte do zásobníka solí (ďalšie informácie nájdete na strane 2). Nastavte tvrdosť vody – pozrite si tabuľku na strane 2.
 Kontrolka úrovne leštidla svieti	Zásobník na leštidlo je prázdny. (Po doplnení leštidla môže kontrolka svietiť ešte niekoľko cyklov umývania).	Doplňte do zásobníka leštidla (ďalšie informácie nájdete na strane 2).
Umývačka sa nespúšťa a nereaguje na príkazy.	Spotrebič nie je riadne pripojený do elektrickej zásuvky.	Zastrčte zástrčku do zásuvky.
	Výpadok prúdu.	Z bezpečnostných dôvodov sa umývačka riadu automaticky nereštartuje po obnovení napájania. Otvorte dvierka umývačky, stlačte tlačidlo ŠTART/Pauza a zatvorte dvierka do 4 sekúnd.
	Dvierka umývačky nie sú zatvorené. Kolík NaturalDry nie je vtiahnutý.	Energicky dvierka zatlačte tak, aby ste počuli "cvaknutie".
	Po otvorení dverí na viac ako 4 sekundy sa cyklus preruší.	Stlačte ŠTART/Pauza do 4 sekúnd a zatvorte dvie.
Z umývačky neodtekla voda. Zobrazenie na displeji: <b>3</b> a LED dióda ZAP./VYP. rýchlo bliká.	Umývací cyklus sa ešte neskočil.	Počkajte, kým sa umývací cyklus neskončí.
	Odtoková hadica je ohnutá.	Skontrolujte, či odtoková hadica nie je ohnutá (pozri NÁVOD NA INŠTALÁCIU).
	Odtokové potrubie drezu je upchaté.	Vyčistite odtokové potrubie drezu.
	Filter je upchatý zvyškami jedla	Vyčistite filter (pozri ČISTENIE ZOSTAVY FILTRA).
Umývačka vydáva nadmerný hluk.	Nádoby o seba hrkocú.	Uložte nádoby správne (pozri UKLADANIE RIADU DO KOŠOV).
	Tvorí sa nadmerné množstvo peny.	Umývací prostriedok nebol dávkovaný správne alebo nie je vhodný do umývačiek riadu (pozri PLNENIE DÁVKOVAČA UMÝVACIEHO PROSTRIEDKU). Vypnutím umývačky reštartujte aktuálny cyklus a následne ju znova zapnite, zvolte nový program, stlačte tlačidlo ŠTART/Pauza a zatvorte dvierka do 4 sekúnd. Nepridávajte čistiaci prostriedok.
Riad nie je čistý.	Riad nebol správne uložený.	Uložte nádoby správne (pozri UKLADANIE RIADU DO KOŠOV).
	Ostrekovacie ramená sa nemôžu voľne točiť, bránia im v tom kusy riadu.	Uložte nádoby správne (pozri UKLADANIE RIADU DO KOŠOV).
	Umývací cyklus je príliš jemný.	Vyberte príslušný umývací cyklus (pozri TABUĽKU PROGRAMOV).
	Tvorí sa nadmerné množstvo peny.	Umývací prostriedok nebol dávkovaný správne alebo nie je vhodný do umývačiek riadu (pozri PLNENIE DÁVKOVAČA UMÝVACIEHO PROSTRIEDKU).
	Veko priehradky na leštidlo nebolo správne uzavreté.	Presvedčte sa, či je veko dávkovača leštidla uzavreté.
	Filter je špinavý alebo upchatý.	Vyčistite zostavu filtrov (pozri STAROSTLIVOSŤ A ÚDRŽBA).
Chýba soľ.	Naplňte zásobník soli (pozri PLNENIE ZÁSOBNÍKA SOLI).	
Umývačka sa neplní vodou. Zobrazenie na displeji: <b>H</b> , <b>6</b> a LED dióda ZAP./VYP. rýchlo bliká.	V prívode nie je voda alebo je uzavretý ventil.	Presvedčte sa, či je v prívode voda a či tečie voda z kohútika.
	Prívodná hadica je ohnutá.	Presvedčte sa, či prívodná hadica nie je ohnutá (pozri kapitolu INŠTALÁCIA), znova umývačku naprogramujte a spustite.
	Sítko v prívodnej hadici na vodu je upchaté; je potrebné ho vyčistiť.	Po overení a vyčistení vypnite a zapnite umývačku a reštartujte nový program.
Umývačka riadu predčasne dokončí cyklus. Zobrazenie na displeji: <b>15</b> a LED dióda ZAP./VYP. rýchlo bliká.	Odtoková hadica je umiestnená príliš nízko alebo voda odteká do domáceho odpadového systému.	Skontrolujte, či je koniec odtokovej hadice umiestnený v správnej výške (pozri kapitolu INŠTALÁCIA). Skontrolujte, či voda odteká do domáceho odpadového systému a v prípade potreby nainštalujte ventil na prívod vzduchu.
	V prívode vody je vzduch.	Skontrolujte, či prívod vody neprepúšťa alebo či dovnútra nevniká vzduch z iných dôvodov.
Únik čistiaceho prostriedku.	Závisí od použitého tekutého čistiaceho prostriedku a môže byť zvýšený v prípade aktivovanej možnosti oneskorenia.	Malé úniky nespôsobia poruchu zariadenia a možno sa im vyhnúť zmenou typu tekutého čistiaceho prostriedku alebo použitím tabliet.

**Firemné zásady, štandardnú dokumentáciu, objednávanie náhradných dielov a ďalšie informácie o produkte nájdete na:**

- Použitie QR kódu na produkte.
- Našej webovej stránke [docs.whirlpool.eu/docs](https://docs.whirlpool.eu/docs) a [parts-selfservice.europeanappliances.com](https://parts-selfservice.europeanappliances.com).
- Prípadne **sa obráťte na náš popredajný servis** (Telefónne číslo nájdete v záručnej knižke). Pri kontaktovaní nášho popredajného servisu uveďte, prosím, kódy z výrobného štítku vášho spotrebiča.

Informácie o modele získate cez QR kód na energetickom štítku. Na štítku tiež nájdete identifikačné číslo modelu, ktoré môžete použiť na vyhľadávanie v registri na portáli <https://eprel.ec.europa.eu>.



# ЩОДЕННИЙ ДОВІДНИК З УСУНЕННЯ НЕСПРАВНОСТЕЙ



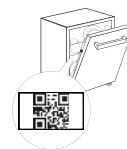
**ДЯКУЄМО ЗА ПРИДБАННЯ ВИРОБУ WHIRLPOOL.**

Для отримання більш повної допомоги зареєструйте свій прилад на веб-сайті: [www.whirlpool.eu/register](http://www.whirlpool.eu/register)



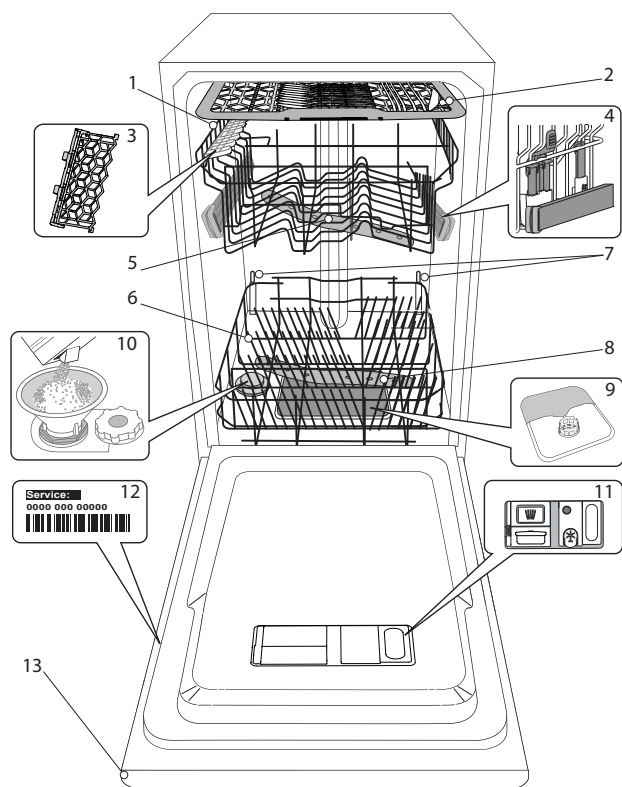
Перед використанням пристрою уважно прочитайте інструкції з техніки безпеки.

**ВІДСКАНУЙТЕ QR-КОД  
НА ВАШОМУ ПРИЛАДІ,  
ЩОБ ОТРИМАТИ БІЛЬШЕ  
ІНФОРМАЦІЇ**



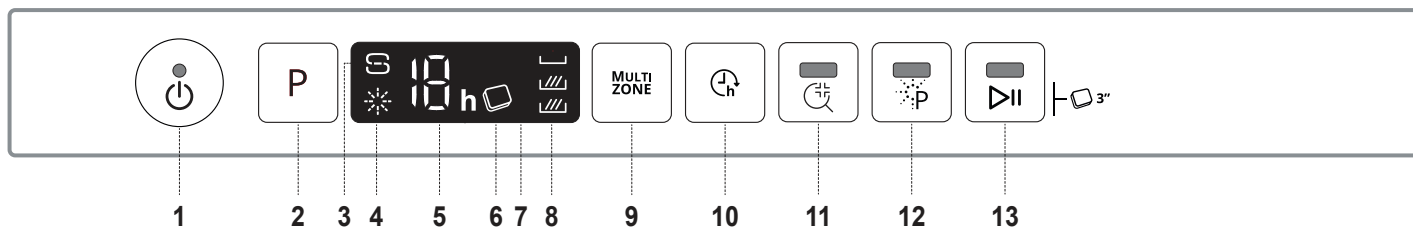
## ОПИС ВИРОБУ

### ВИРІБ



1. Верхній кошик
2. Відділення для столових приборів
3. Складані полицки
4. Регулятор висоти верхнього кошика
5. Верхній розбризувач
6. Нижній кошик
7. Підтримка POWER CLEAN® (Павер Клін)
8. Нижній розбризувач
9. Вузол фільтру
10. Бачок із сіллю
11. Дозатори миючого засобу та ополіскувача
12. Табличка з технічними даними
13. Панель керування

### ПАНЕЛЬ КЕРУВАННЯ



1. Кнопка «Увімк.-вимк./скидання» з індикаторною лампою
2. Кнопка вибору програми
3. Індикаторна лампа заповнення сіллю
4. Індикаторна лампа заповнення ополіскувачем
5. Індикатор номеру програми і часу затримки
6. Індикаторна лампа «Таблетка» (Tab)
7. Дисплей
8. Індикаторна лампа режиму «Мультизона»
9. Кнопка «Мультизона»
10. Кнопка «Затримка»
11. Кнопка «Ополіскування» з індикаторною лампою
12. Кнопка «Power Clean® (Павер Клін)» з індикаторною лампою
13. Кнопка «Старт/Пауза» з індикаторною лампою / «Таблетка» (Tab)

# ПЕРШЕ ВИКОРИСТАННЯ СІЛЬ, ОПОЛІСКУВАЧ І МИЮЧИЙ ЗАСІБ

## ПОРАДИ ЩОДО ПЕРШОГО ВИКОРИСТАННЯ ПРИЛАДУ

Після встановлення витягніть фіксатори із кошиків та підпірні еластичні елементи з верхнього кошика.

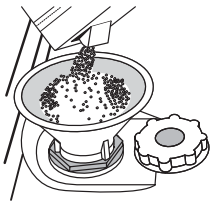
## НАПОВНЕННЯ БАЧКА ДЛЯ СОЛІ

Використання солі запобігає утворенню НАКИПУ на посуді і на функціональних компонентах машини.

• Важливо слідувати за тим, щоб **БАЧОК ДЛЯ СОЛІ НІКОЛИ НЕ БУВ ПОРОЖНІМ**.

• Це важливо для встановлення належної жорсткості води.

Бачок для солі розташований у нижній частині посудомийної машини (див. «ОПИС ВИРОБУ»), його слід наповнювати, коли на панелі керування світиться індикаторна лампа «ЗАПОВНЕННЯ СІЛЛЮ» S.



1. Вийміть нижній кошик і відкрутіть кришку бачка (проти годинникової стрілки).
2. **Виконайте це лише при першому використанні: наповніть бачок для солі водою.**
3. Вставте воронку (див. малюнок) і наповніть бачок для солі до краю (приблизно 1 кг); просочування невеликої кількості води - це нормально.
4. Витягніть воронку і зітріть залишки солі з отвору.

Переконайтеся, що кришка щільно прилягає, щоб під час виконання програми миття миючий засіб не міг потрапити до контейнера (це може призвести до пошкодження пом'якшувача води, який не підлягає ремонту).

**Якщо потрібно досипати сіль, обов'язково завершіть процедуру перед циклом миття, щоб запобігти корозії.**

## НАЛАШТУВАННЯ ЖОРСТКОСТІ ВОДИ

Для належного функціонування пом'якшувача води дуже важливо, щоб налаштована жорсткість води базувалася на фактичному значенні жорсткості води у вашому будинку. Цю інформацію можна отримати у місцевій організації водопостачання.

Стандартне значення жорсткості води, встановлене на заводі.

- Увімкніть прилад, натиснувши кнопку **УВІМКН./ВИМКН.**
- Вимкніть прилад, натиснувши кнопку **УВІМКН./ВИМКН.**
- Натисніть і утримуйте кнопку **P** протягом 5 секунд, поки не пролунає звуковий сигнал.
- Увімкніть прилад, натиснувши кнопку **УВІМКН./ВИМКН.**
- Індикатор номеру поточного обраного рівня та індикатор солі починають блимати.
- Натисніть кнопку **P**, щоб вибрати бажаний рівень жорсткості (див. таблицю «ЖОРСТКІСТЬ ВОДИ»).

Таблиця жорсткості води				
івень солі	°dH Німецькі гра- дуси	°fH Французькі градуси	°Clark Англійські градуси	
1	М'яка	0 - 6	0 - 10	0 - 7
2	Середня	7 - 11	11 - 20	8 - 14
3	Звичайна	12 - 16	21 - 29	15 - 20
4	Жорстка	17 - 34	30 - 60	21 - 42
5	Дуже жорстка	35 - 50	61 - 90	43 - 62

• Вимкніть прилад, натиснувши кнопку **УВІМКН./ВИМКН.**

Налаштування завершено!

Як тільки цю процедуру буде завершено, запустіть програму без завантаження посуду.

**Використовуйте лише сіль, що спеціально призначена для посудомийних машин.**

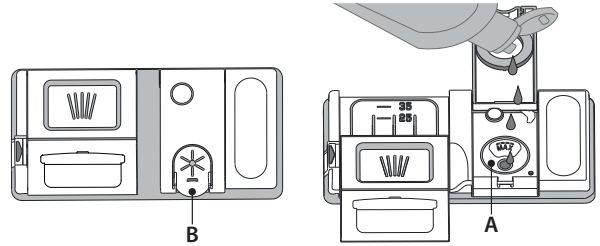
Коли сіль буде засипано до машини, індикаторна лампа «ЗАПОВНЕННЯ СІЛЛЮ» вимкнеться.

**Якщо контейнер для солі незаповнений, це може призвести до пошкодження пом'якшувача води і нагрівального елемента в результаті накопичення накипу.**

**Рекомендується використовувати сіль з будь-яким типом миючих засобів для посудомийних машин.**

## ЗАПОВНЕННЯ ДОЗАТОРА ОПОЛІСКУВАЧА

Ополіскувач полегшує СУШІННЯ посуду. Дозатор ополіскувача **A** слід заповнювати, коли на панелі керування світиться індикаторна лампа «ЗАПОВНЕННЯ ОПОЛІСКУВАЧЕМ» ✨.



1. Відкрийте дозатор **B** натиснувши і потягнувши угору за виступ на кришці.
2. Обережно додайте максимальну кількість ополіскувача (110 мл) до контрольної риски у ємності, уникаючи проливання рідини. Якщо це сталося, негайно витріть рідину сухою тканиною.
3. Натисніть кришку донизу, поки не почуєте звук клацання.

**НІКОЛИ не наливайте ополіскувач безпосередньо у бачок.**

## РЕГУЛЮВАННЯ ДОЗУВАННЯ ОПОЛІСКУВАЧА

Якщо ви не задоволені результатом сушіння, можна відрегулювати використовувану кількість ополіскувача.

- Увімкніть посудомийну машину за допомогою кнопки «**УВІМКН./ВИМКН.**».
- Вимкніть її за допомогою кнопки «**УВІМКН./ВИМКН.**»
- Тричі натисніть кнопку **P** - пролунає звуковий сигнал.
- Увімкніть її за допомогою кнопки «**УВІМКН./ВИМКН.**»
- Індикатор номеру поточного обраного рівня та індикатор ополіскувача почнуть блимати.
- Натисніть кнопку **P**, щоб обрати значення кількості ополіскувача, що подається.
- Вимкніть її за допомогою кнопки «**УВІМКН./ВИМКН.**»

Налаштування завершено!

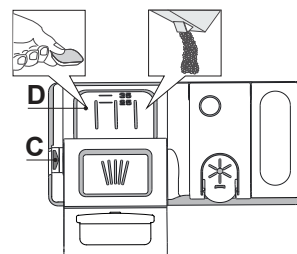
Якщо рівень ополіскувача встановлено на НУЛЬ (ЕКО), подачу ополіскувача буде припинено. Якщо ополіскувач витікає, індикаторна лампа «НИЗЬКИЙ РІВЕНЬ ОПОЛІСКУВАЧА» не буде світитися.

Може бути встановлено до 5 рівнів у залежності від моделі посудомийної машини. Заводські налаштування вказані для моделі, щоб дізнатися налаштування для своєї машини, дотримуйтеся наведеної вище інструкції.

- Якщо на посуді з'являються блакитні смуги, встановіть низьке значення (1-2).
- Якщо на посуді з'являються краплі води або вапняний наліт, встановіть високе значення (3-4).

## НАПОВНЕННЯ ДОЗАТОРА МИЮЧОГО ЗАСОБУ

**Щоб відкрити дозатор миючого засобу, використовуйте механізм відкриття С. Додавайте миючий засіб тільки у сухий дозатор D. Додайте відповідну кількість миючого засобу для попереднього миття безпосередньо у бачок.**



1. Щоб додати належну кількість, при відмірюванні миючого засобу звертайтеся з інформацією, наведеною вище. Усередині дозатора **D** є індикатори, які забезпечують правильне дозування миючого засобу.
2. Видаліть залишки миючого засобу з країв дозатора и закривайте кришку, поки не почуєте клацання.
3. Закрийте кришку дозатора миючого засобу, тягнучи її вгору, поки запірний механізм не зафіксується.

Дозатор миючого засобу автоматично відкривається у потрібний момент відповідно до програми. У разі використання універсальних миючих засобів (все в одному), рекомендуємо скористатися кнопкою **ТАБЛЕТКА**, тому що програму у цьому режимі налаштовано таким чином, щоб за будь-яких умов досягати найкращих результатів миття і сушіння.

**Використання миючого засобу, не призначеного для посудомийних машин, може привести до несправності або пошкодження приладу.**

# ТАБЛИЦЯ ПРОГРАМ

Програма	Сушіння цикл	Натурал-драй	Доступні опції *)	Тривалість програми миття (г:хв)*)	Споживання води (літрів/цикл)	Споживання електроенергії (кВтг/цикл)
1. Еко Eco 50°	✓	✓		3:40	9,0	0,67
2. 6 <sup>th</sup> Sense® (6-е відчуття) 50-60°	✓	✓		1:20 - 3:00	7,0 - 14,0	0,70 - 1,10
3. Інтенсивний	✓	✓		2:45	17,5	1,60
4. Швидке миття і сушіння	✓	✓		1:25	11,5	1,10
5. Кришталь	✓	✓		1:40	12,0	1,20
6. Прискорена 30'	-	✓		0:30	9,0	0,50
7. Попереднє прання	-	-		0:10	4,5	0,01
8. Самоочищення	-	-		0:50	8,0	0,85

Дані програми «ЕКО» виміряно у лабораторних умовах відповідно до європейського стандарту EN 60436:2020.

Примітка для контрольно-випробних лабораторій: щодо інформації з умов проведення порівняльних випробувань EN, зверніться за адресою: [dw\\_test\\_support@europeanappliances.com](mailto:dw_test_support@europeanappliances.com)

Жодна програма не передбачає попередню обробку посуду.

\*) Не всі опції можуть бути використані одночасно.

\*\*) Значення, наведені для інших програм, крім програми «ЕКО», є орієнтовними.

Фактичний час може змінюватися у залежності від багатьох факторів, таких як температура і тиск води на впуску, кімнатна температура, кількість миючого засобу, кількість і тип завантаженого посуду, балансування завантаження, додаткові обрані опції і калібрування датчика. Через калібрування датчика тривалість виконання програми може збільшитися на період до 20 хв.

## ОПИС ПРОГРАМ

### Інструкції з вибору циклу миття.

#### 1 ЕКО

Програма Еко підходить для очищення помірно забрудненого посуду оскільки вона є найбільш ефективною з точки зору сукупного споживання енергії і води, і оскільки вона використовується для оцінки відповідності екологічних вимог до конструкції в рамках Європейських норм.

#### 2 6<sup>th</sup> SENSE® (6-е відчуття)

Для посуду середнього рівня забрудненості із засохлими залишками їжі. Визначає ступінь забрудненості посуду та відповідно змінює налаштування програми. Коли датчик визначає ступінь забрудненості, на дисплеї з'являється анімоване зображення, а тривалість циклу оновлюється.

#### 3 ІНТЕНСИВНИЙ

Цю програму рекомендовано застосовувати для сильно забрудненого посуду, вона особливо підходить для кастрюль і сковорідок (не слід використовувати для крихкого посуду).

#### 4 ШВИДКЕ МИТТЯ І СУШІННЯ

Посуд середнього рівня забрудненості. Щоденний цикл, який забезпечує оптимальну ефективність очищення та сушіння у найкоротший термін.

#### 5 КРИШТАЛЬ

Програма для крихкого посуду, який є більш чутливим до впливу високих температур, наприклад склянки та чашки.

#### 6 ПРИСКОРЕНА 30'

Програма призначена для половинного завантаження або злегка забрудненого посуду без присохлих залишків їжі. Без етапу сушіння.

#### 7 ПОПЕРЕДНЄ ПРАННЯ

Використовуйте для замочування посуду, який плануєте помити пізніше. У цій програмі не використовуватиметься миючий засіб.

#### 8 САМООЧИЩЕННЯ

Програму, призначену для технічного обслуговування посудомийної машини, необхідно виконувати, лише коли посудомийна машина ПОРОЖНЯ, з використанням спеціальних миючих засобів, призначених для обслуговування посудомийної машини.

#### Примітки:

Зверніть увагу, що цикл *Прискорена 30'* призначений для миття посуду з незначними забрудненнями.

# ОПЦІЇ ТА ФУНКЦІЇ

Опції можна вибрати, натиснувши відповідну кнопку (див. «ПАНЕЛЬ КЕРУВАННЯ».)

**Якщо опція є несумісною з обраною програмою (див. «ТАБЛИЦЮ ПРОГРАМ»), відповідний світлодіодний індикатор швидко блимне 3 рази і пролунає звуковий сигнал. Опцію не буде активовано.**

## MULTI ZONE МУЛЬТИЗОНА

Якщо накопичилася невелика кількість посуду для миття, з метою збереження води, електроенергії та миючого засобу може бути використано режим половинного завантаження. Оберіть програму і натисніть кнопку «МУЛЬТИЗОНА»: на дисплеї з'явиться символ обраного кошика. За замовчуванням прилад має посуд у всіх кошиках.

Для миття посуду лише в одному конкретному кошику, натисніть цю кнопку відповідну кількість разів:



На дисплеї відобразиться (тільки нижній кошик)



На дисплеї відобразиться (тільки верхній кошик)



На дисплеї відобразиться (тільки відділення для столових приборів)



На дисплеї відобразиться (опцію деактивовано і прилад буде мити посуд у всіх кошиках).

**Не забувайте, що потрібно завантажувати тільки верхній чи нижній кошик та зменшувати кількість миючого засобу, відповідно.**

**Якщо верхній кошик знятий, додавайте миючий засіб безпосередньо у бачок, а не в дозатор для миючого засобу.**

## ЗАТРИМКА

Момент запуску програми може бути відкладено на період між 1 і 12 годинами.

1. Натисніть кнопку ЗАТРИМКА: на дисплеї з'явиться відповідний символ «h». при кожному натисненні кнопки буде збільшуватися час (1 г., 2 г., і т.д. до макс. 12 г.) до початку виконання обраного циклу миття.
2. Оберіть програму миття, натисніть кнопку «СТАРТ/ПАУЗА» і закрийте дверцята протягом 4 секунд: таймер почне зворотний відлік.
3. Коли мине встановлений час, індикаторна лампа «h» вимкнеться, і почнеться виконання циклу миття.

Щоб налаштувати час затримки і обрати більш короткий період часу, натисніть кнопку «ЗАТРИМКА». Для його скасування натисніть кнопку кілька разів, поки не згасне індикація обраної затримки запуску «h».

**Функцію затримки не можна встановити, коли вже розпочато цикл миття.**

## ОПОЛІСКУВАННЯ

Цю опцію можна використовувати для дезінфікування вимитого посуду.

Відбувається збільшення температури ополіскування і до вибраної програми додається антибактеріальне промивання. Оберіть програму миття, натисніть кнопку «ОПОЛІСКУВАННЯ»; засвітиться індикаторна лампа. Щоб деактивувати опцію, натисніть цю кнопку знову. Ідеально підходить для очищення посуду та пляшечок для годування. Дверцята посудомийної машини мають бути закритими протягом всього циклу виконання програми, щоб гарантувати зменшення кількості мікробів. Якщо дверцята відкриті, індикатор почне блимати.

**ПОПЕРЕДЖЕННЯ: посуд і тарілки можуть бути дуже гарячим у кінці циклу.**



## POWER CLEAN® (ПАВЕР КЛІН)

Завдяки додатковим потужним розпилювачам цей параметр забезпечує ефективніше й інтенсивніше миття посуду в конкретній області нижнього кошика. Ця опція рекомендується для миття каструль і горщиків. Натисніть цю кнопку, щоб увімкнути «POWER CLEAN® (ПАВЕР КЛІН)» (засвітиться відповідний індикатор).



## ТАБЛЕТКА (Tab)

Цей параметр дозволяє оптимізувати продуктивність програми відповідно до типу використовуюваного миючого засобу.

Натисніть і утримуйте кнопку «СТАРТ/ПАУЗА» протягом 3 секунд (увімкнеться відповідний символ), якщо ви використовуєте комбіновані миючі засоби у формі таблеток (ополіскувач, сіль і миючий засіб в 1 таблетці).

**При використанні порошку або рідкого миючого засобу цю опцію слід відключати.**



## ІНДИКАТОР РОБОЧОГО РЕЖИМУ

Свічення світлодіодного індикатора, що відбивається від підлоги, вказує на те, що посудомийна машина працює. Можна обрати один із наступних робочих режимів:

- a) Функцію відключено.
- b) Світло горить протягом декількох секунд, коли починається цикл, не горить під час виконання циклу і блимає у кінці циклу.
- c) Світло горить постійно під час виконання циклу і блимає у кінці циклу (режим за замовчуванням).

Якщо встановлено відкладений запуск, світло горить або протягом перших кількох секунд, або постійно під час зворотного відліку, у залежності від того, який режим було встановлено: b) або c).

Світло згасає при кожному відкриванні дверцят. Щоб обрати бажаний режим, увімкніть машину, натисніть та утримуйте кнопку «P», поки на дисплеї не з'явиться одна з трьох літер, натискайте кнопку «P», поки не з'явиться літера бажаного режиму, натисніть та утримуйте кнопку «P», щоб підтвердити вибір.

**Примітка: Якщо система NaturalDry (Натуралдрай) активна і відкриває дверцята, індикатор робочого режиму не блиматиме наприкінці циклу.**

## NaturalDry (Натуралдрай)

NaturalDry (Натуралдрай) являє собою систему конвекційного сушіння, автоматично відкриває дверцята під час/після етапу сушіння, щоб забезпечити щоденну чудову якість сушіння. Дверцята відчиняються лише при температурі, безпечній для ваших кухонних меблів, тому протягом виконання програми «Ополіскування» дверцята залишатимуться заблокованими.

Спеціальна захисна плівка постачається разом із посудомийною машиною як додатковий захист від пари. Щоб подивитися, як встановлювати захисну плівку, зверніться до (ІНСТРУКЦІЇ З МОНТАЖУ).

Користувач може відключити NaturalDry (Натуралдрай) таким чином:

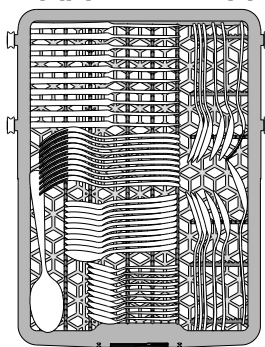
1. Перейдіть до меню програмного забезпечення посудомийної машини, натиснувши та утримуючи кнопку «P» (протягом 6 секунд).
2. Зараз ви знаходитесь в меню керування світлом (див. «ІНДИКАТОР РОБОЧОГО РЕЖИМУ/СВІТЛОВА ТОЧКА»), якщо ви не бажаєте нічого змінювати, натисніть і утримуйте кнопку «P» (поки на дисплеї не з'явиться одна з двох літер).
3. Ви перейшли в меню управління NaturalDry (Натуралдрай), тут можна змінити статус функції NaturalDry (Натуралдрай), натиснувши кнопку «P»:

**E** – увімкнено **d** – вимкнено

Щоб підтвердити зміни та вийти з меню «Контроль», натисніть та утримуйте кнопку «P» (протягом 3 секунд).

# ЗАВАНТАЖЕННЯ КОШИКІВ

## ВІДДІЛЕННЯ ДЛЯ СТОЛОВИХ ПРИБОРІВ



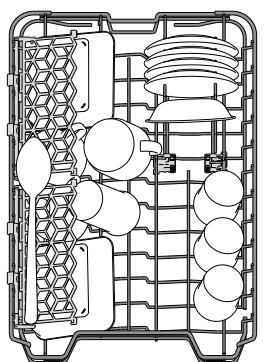
Третій кошик передбачено для розміщення столових приборів.

Розміщуйте столові прибори, як показано на малюнку.

Роздільне розташування столових приборів полегшує їх збирання після миття і дозволяє підвищити ефективність миття та сушіння.

**Ножі та інші столові прибори з гострими краями необхідно класти лезами донизу.**

## ВЕРХНІЙ КОШИК



Завантажуйте сюди легкий і крихкий посуд: склянки, чашки, блюдець, низькі салатниці.

Верхній кошик має відкидні опори, які можна встановлювати у вертикальне положення при розміщенні чайних/десертних блюдець або у нижнє положення для завантаження мисок і контейнерів для харчових продуктів.

*(приклад завантаження для верхнього кошика)*

## РЕГУЛЮВАННЯ ВИСОТИ ВЕРХНЬОГО КОШИКА

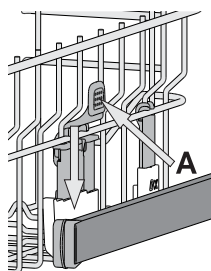
Висоту верхнього кошика можна регулювати: верхнє положення дозволяє розміщувати у нижньому кошику об'ємний посуд, а встановлення більшості відкидних опор у нижньому положенні дозволяє вивільнити більше місця зверху і уникнути зіткнення з посудом, завантаженим у нижній кошик.

Верхній кошик оснащено **регулятором висоти верхнього кошика** (див. малюнок), не натискаючи на важелі підніміть його, просто тримаючи за бічні сторони, поки кошик не опиниться у верхньому положенні.

Для повернення у нижнє положення натисніть на важелі **A** на бічних сторонах кошика і перемістіть його вниз.

**Настійно рекомендуємо не виконувати регулювання висоти кошика, коли у ньому знаходиться посуд.**

**НІКОЛИ не піднімайте та не опускайте тільки одну зі сторін кошика.**



## СКЛАДАНІ ПОЛИЧКИ З РЕГУЛЮЄМИМ ПОЛОЖЕННЯМ

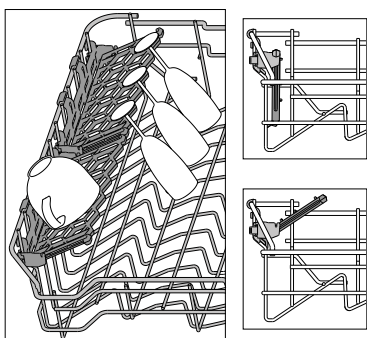
Бічні складані полицки можна скласти або розкласти, щоб оптимізувати розташування посуду на решітці.

Келихи можна надійно встановити на складаних полицках, вставивши ніжку кожного келиха у відповідний паз.

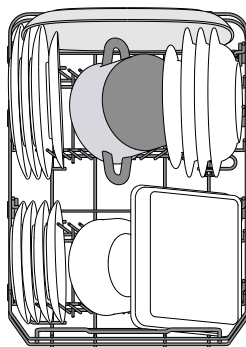
Залежно від моделі:

– щоб розкласти полицки, необхідно посунути їх вгору і повернути або витягти з засувки і потягнути вниз.

– щоб скласти полицки, необхідно повернути їх і посунути вниз або потягнути вгору і прикріпити полицки до засувки.



## НИЖНІЙ КОШИК



Призначений для каструль, кришок, тарілок, салатниць, столових приборів і т.д. Великі тарілки і кришки мають бути ідеально розміщені з боків, щоб вони не заважали роботі розбризкувача.

Нижній кошик має відкидні опори, які можна використовувати у вертикальному положенні при розміщенні тарілок або у горизонтальному (нижньому) положенні для завантаження каструль і салатниць.

*(приклад завантаження для нижнього кошика)*

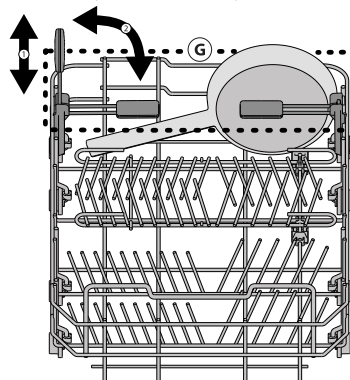
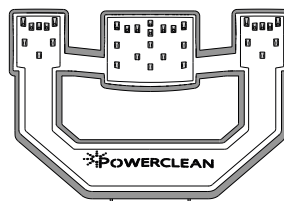
## POWER CLEAN® (ПАВЕР КЛІН)

У режимі Power Clean® застосовуються спеціальні водяні струмені з задньої частини камери для більш інтенсивного миття сильно забрудненого посуду.

Нижній кошик має містку зону, що являє собою спеціальну висувну підставку у її задній частині, яку можна використовувати для підтримання сковорідок з ручками або листів для випічки у вертикальному положенні, завдяки чому вони займають менше місця. Розташувавши каструлі/горщики у напрямку компонента Power Clean®, активуйте функцію **POWER CLEAN® (ПАВЕР КЛІН)** на панелі.

Як використовувати Power Clean®:

1. Відрегулюйте складані задні тримачі тарілок у зоні (G) Power Clean® для завантаження каструль.
2. Завантажте каструлі та горщики вертикально під нахилом до зони Power Clean®. Каструлі мають бути обернені до струменів потужного розпилення.



# ЩОДЕННЕ ВИКОРИСТАННЯ

## 1. ПЕРЕВІРКА ПІДКЛЮЧЕННЯ ВОДИ

Переконайтеся, що посудомийна машина підключена до водопроводу і що кран відкритий.

## 2. УВІМКНЕННЯ ПОСУДОМИЙНОЇ МАШИНИ

Відкрийте дверцята і натисніть кнопку «УВІМКН./ВИМКН.».

## 3. ЗАВАНТАЖЕННЯ КОШИКІВ (див. «ЗАВАНТАЖЕННЯ КОШИКІВ»)

## 4. НАПОВНЕННЯ ДОЗАТОРА МИЮЧОГО ЗАСОБУ

## 5. ВИБІР ПРОГРАМИ І НАЛАШТУВАННЯ ЦИКЛУ

Оберіть найбільш підходящу програму відповідно до типу посуду і ступеню його забруднення (див. «ОПИС ПРОГРАМ»), натискаючи кнопку **P**.

Виберіть потрібні опції (див. «ОПЦІЇ ТА ФУНКЦІЇ»).

## 6. ПУСК

Запустіть цикл миття, натиснувши кнопку «СТАРТ/ПАУЗА» (світиться індикатор) і заклавши дверцята протягом 4 сек.

Під час запуску програми пролунає один звуковий сигнал. Якщо не закрити дверцята протягом 4 секунд, пролунає сигнал попередження. В такому разі відкрийте дверцята, натисніть кнопку «СТАРТ/ПАУЗА» і знову закрийте дверцята протягом 4 сек.

## 7. ЗАВЕРШЕННЯ ЦИКЛУ МИТТЯ

Під час завершення циклу миття лунають звукові сигнали та блимає число циклу миття на дисплеї. Відкрийте дверцята і вимкніть прилад, натиснувши кнопку «УВІМКН./ВИМКН.».

Зачекайте кілька хвилин перед тим, як витягнути посуд, щоб уникнути опіків. Розвантажте кошики, починаючи з нижнього.

Через певний тривалий період простою машина автоматично вимикається, щоб мінімізувати споживання електроенергії.

Якщо посуд незначно забруднений або якщо його промивали водою перед тим, як покласти до посудомийної машини, слід відповідно зменшити використовувану кількість миючого засобу.

## ЗМІНА ДІЮЧОЇ ПРОГРАМИ

У разі невірною вибору програми можна змінити її за умови, що виконання програми тільки розпочалося: відчиніть дверцята, натисніть і утримуйте кнопку «УВІМКН./ВИМКН.», машина вимкнеться. Знову увімкніть машину за допомогою кнопки «УВІМКН./ВИМКН.» і оберіть новий цикл миття та будь-які бажані опції; запустіть цикл, натиснувши кнопку «СТАРТ/ПАУЗА» і зачинивши дверцята протягом 4 сек.

## ДОДАВАННЯ ПОСУДУ

Не вимикаючи машину, відкрийте дверцята (індикатор «СТАРТ/ПАУЗА» починає блимати) (**остерігайтеся ГАРЯЧОЇ ПАРИ!**) і встановіть посуд всередину посудомийної машини. Натисніть кнопку «СТАРТ/ПАУЗА» і закрийте дверцята протягом 4 секунд, виконання циклу продовжиться з того моменту, на якому він був перерваний.

## НЕПЕРЕДБАЧЕНІ ВИМКНЕННЯ

Якщо під час циклу миття відчинені дверцята або якщо станеться відключення живлення, виконання циклу зупиниться. Щоб продовжити виконання циклу з того моменту, на якому він був перерваний, натисніть кнопку «СТАРТ/ПАУЗА» і закрийте дверцята протягом 4 сек.

# ПОРАДИ І РЕКОМЕНДАЦІЇ

## ПОРАДИ

Перед завантаженням кошиків видаліть з посуду усі залишки їжі та очистіть скляні поверхні. **Не потрібно промивати їх заздалегідь під проточною водою.**

Розташуйте посуд таким чином, щоб він міцно утримувався на місці і не міг перекинутися; і розташуйте контейнери таким чином, щоб отвори були знизу, а увігнуті/опуклі частини нахилені, для того, щоб вода потрапляла на всі поверхні і вільно стікала.

**Попередження:** кришки, ручки, піддони і сковорідки з ручками не повинні перешкоджати обертанню розпилювачів.

Кладіть будь-які дрібні предмети у кошик для столових приборів. Дуже забруднений посуд і сковорідки необхідно розміщувати у нижньому кошику, тому що у цій частині машини водяні струмені сильніші, завдяки чому досягається вища продуктивність миття.

Після завантаження посуду у прилад переконайтеся, що розпилювачі можуть вільно обертатися.

## НЕПРИДАТНИЙ ПОСУД

- Дерев'яний посуд і столові прибори.
- Тонкий декоративний скляний посуд, вироби декоративно-прикладного мистецтва та антикварний посуд. Їх оздоблення нестійке.
- Частини з синтетичного матеріалу, які не витримують дію високих температур.
- Мідний і олов'яний посуд.
- Посуд, забруднений золюю, воском, мастилом або чорнилом.

Кольори скляного оздоблення і алюмінієвих/срібних деталей можуть змінюватися і зникати в процесі миття. Деякі типи скла (наприклад, кришталевий посуд) можуть також стати непрозорими після декількох циклів миття.

## ПОШКОДЖЕННЯ СКЛА І ПОСУДУ

- Використовуйте тільки такий скляний і фарфоровий посуд, який згідно рекомендацій його виробника можна безпечно мити у посудомийній машині.
- Використовуйте делікатний миючий засіб, що підходить для посуду
- Витягайте скляний посуд і столові прилади з посудомийної машини відразу після закінчення циклу миття.

## РЕКОМЕНДАЦІЇ ЩОДО ЗАОЩАДЖЕННЯ ЕЛЕКТРОЕНЕРГІЇ

- Якщо побутова посудомийна машина використовується відповідно до інструкцій виробника, **на миття посуду в посудомийній машині зазвичай витрачається МЕНШЕ ЕНЕРГІЇ та ВОДИ, ніж при ручному митті посуду.**
- Щоб досягти максимальної ефективності посудомийної машини, **рекомендується розпочинати цикл миття після повного завантаження посудомийної машини.** Завантаження побутової посудомийної машини до зазначеної виробником кількості, сприятиме економії енергії та води. Інформацію про правильне завантаження столового посуду можна знайти в розділі «ЗАВАНТАЖЕННЯ КОШИКІВ».
- У разі часткового завантаження рекомендується використовувати спеціальні опції миття, якщо вони доступні (Половина завантаження/Зона миття/Мультизона), заповнення лише обраних кошиків. Неправильне завантаження або надмірне завантаження посудомийної машини може призвести до збільшення використання ресурсів (таких як вода, енергія та час, а також підвищення рівня шуму), знизивши при цьому продуктивність очищення та сушіння.
- Попереднє ополіскування предметів посуду вручну призводить до збільшення споживання води та енергії і не рекомендується.

## ПІГЕНА

Щоб уникнути виникнення запаху і осаду, який може накопичуватися у посудомийній машині, **щонайменше один раз на місяць необхідно запускати високотемпературну програму.** Щоб очистити прилад, використовуйте чайну ложку миючого засобу і запустіть цикл без завантаження посуду.

# ДОГЛЯД І ТЕХНІЧНЕ ОБСЛУГОВУВАННЯ

## ОЧИЩЕННЯ ВУЗЛА ФІЛЬТРУ

Регулярно очищуйте вузол фільтра, щоб не допускати забивання фільтрів і щоб використана вода могла вільно витікати.

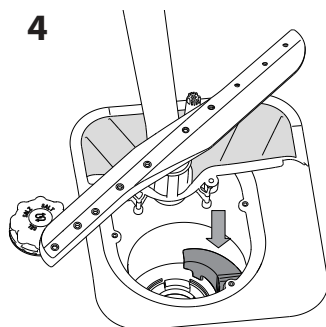
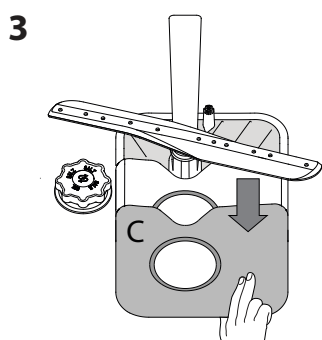
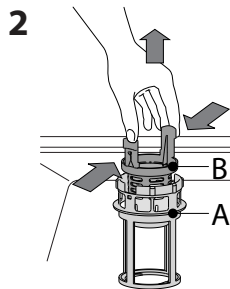
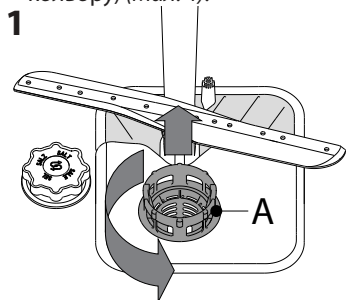
Використання посудомийної машини із засміченими фільтрами або сторонніми предметами всередині системи фільтрації або розбризкувачів може призвести до несправності пристрою, зниження якості миття, шумної роботи приладу або збільшення використовуваних ресурсів.

Вузол фільтра складається з трьох фільтрів, які затримують залишки їжі з промивної води і забезпечують рециркуляцію води: для найбільш ефективного миття слід регулярно очищувати їх.

**Посудомийну машину не можна використовувати без фільтрів або з незакріпленим фільтром.**

Не рідше одного разу на місяць або після кожних 30 циклів перевіряйте блок фільтра і при необхідності ретельно очищуйте його під проточною водою, використовуючи неметалеву щітку і дотримуючись наведених нижче інструкцій:

1. Поверніть циліндричний фільтр **A** у напрямку проти годинникової стрілки і витягніть його (Мал. 1).
2. Зніміть фільтр кришки **B**, легко натискуючи на бічні стулки (Мал. 2).
3. Витягніть пластинчастий фільтр з нержавіючої сталі **C** (Мал. 3).
4. У разі виявлення сторонніх предметів (таких як уламки скла, фарфору, кісток, насіння фруктів і т.д.), будь ласка, обережно видаліть їх.
5. Перевірте уловлювач і видаліть усі залишки їжі. **НИКОЛИ НЕ ЗНИМАЙТЕ** захисну накладку насоса циклу миття (деталь чорного кольору) (Мал. 4).



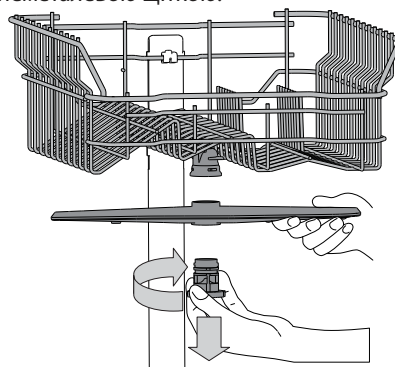
Після очищення фільтрів встановіть вузол фільтра на місце та закріпіть його у цьому положенні належним чином; це дуже важливо для ефективного функціонування посудомийної машини.

## ОЧИЩЕННЯ ШЛАНГУ ПОДАЧІ ВОДИ

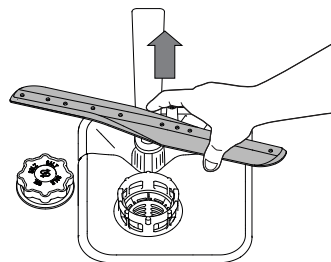
Якщо водяні шланги нові або не використовувалися протягом тривалого часу, перед приєднанням пустіть по ним воду, щоб переконатися, що виходить чиста вода без будь-яких домішок. Якщо цей запобіжний захід не буде виконано, подачу води може бути заблоковано, через що посудомийна машина може пошкодитися.

## ОЧИЩЕННЯ РОЗБРИЗКУВАЧІВ

В окремих випадках залишки їжі можуть затвердіти на розбризкувачах і блокувати отвори, призначені для розпилення води. Тому рекомендується час від часу перевіряти розбризкувачі і очищувати їх невеликою неметалевою щіткою.



Щоб зняти верхній розпилювач, поверніть пластикове блокувальне кільце за годинниковою стрілкою. Верхній розбризкувач слід розташовувати таким чином, щоб сторона з великою кількістю отворів була спрямована вгору.



Нижній розбризкувач можна зняти, потягнувши його вгору.

## СИСТЕМА ПОМ'ЯКШЕННЯ ВОДИ

Пом'якшувач води автоматично знижує жорсткість води, запобігаючи утворенню накипу на нагрівачі, що також сприяє підвищенню ефективності очищення.

**Регенерація цієї системи відбувається при використанні солі, тому у разі спорожнення ємність для солі необхідно поповнювати.**

Частота регенерації залежить від встановленого рівня жорсткості води - регенерація відбувається один раз на 6 циклів Еко, якщо встановлений 3-й рівень жорсткості води.

Процес регенерації починається під час заключного полоскання і закінчується у фазі сушіння, до закінчення циклу.

- Одноразова регенерація споживає: ~3,5 л води;
- Займає до 5 додаткових хвилин на цикл;
- Споживає менше 0,005 кВт год енергії.

# УСУНЕННЯ НЕСПРАВНОСТЕЙ

Якщо посудомийна машина не працює належним чином, перевірте, чи можна усунути проблему, використовуючи наступний список. У разі виникнення інших помилок або проблем звертайтеся до авторизованого сервісного центру, контактні дані якого можна знайти в гарантійному талоні. Запасні частини будуть доступні впродовж терміну до 7 або до 10 років, відповідно до конкретних нормативних вимог.

ПРОБЛЕМИ	МОЖЛИВІ ПРИЧИНИ	РІШЕННЯ
Горить індикатор солі	Резервуар солі порожній. (Після поповнення індикатор солі може залишатися увімкненим протягом декількох циклів мийки).	Заповніть контейнер для солі (докладніші відомості див. на стор. 2). Налаштуйте рівень жорсткості води (див. таблицю на стор. 2).
Горить індикатор ополіскувача	Диспенсер для ополіскувача порожній. (Після поповнення індикатор ополіскувача може залишатися увімкненим протягом декількох циклів мийки).	Заповніть контейнер для ополіскувача (докладніші відомості див. на стор. 2).
Посудомийна машина не запускається або не реагує на команди.	Прилад не підключений до розетки.	Вставте штекер у розетку електроживлення.
	Відключення електропостачання.	З міркувань безпеки посудомийна машина не буде автоматично перезапускатись після подачі живлення. Відкрийте дверцята посудомийної машини, натисніть кнопку «СТАРТ/ПАУЗА» та закрийте двері протягом 4 секунд.
	Дверцята машини не закриті. Штифт Активне Сушіння не втягується.	Енергійно натискуйте на дверцята, поки не почуєте звук «клацання».
	Цикл переривається при відкриванні дверцят більш ніж на 4 секунди.	Натисніть кнопку «СТАРТ/ПАУЗА» та протягом 4 секунд зачиніть дверцята приладу.
З посудомийної машини не витікає вода. Позначення на дисплеї: <b>3</b> і світлодіод УВІМК./ВИМК. швидко блимає	Прилад не реагує на команди. Позначення на дисплеї: <b>9</b> або <b>12</b> і світлодіод УВІМК./ВИМК. швидко блимає	Вимкніть прилад, натиснувши кнопку «УВІМКН./ВИМКН.», приблизно через хвилину увімкніть його знову і перезапустіть програму. Якщо це не дає бажаного результату, від'єднайте прилад на 1 хвилину від електромережі, а потім знову підключіть.
	Цикл миття ще не закінчено.	Зачекайте, поки закінчиться цикл миття.
	Зливний шланг вигнутий.	Переконайтеся, що зливний шланг не вигнутий (див. ІНСТРУКЦІЮ З УСТАНОВЛЕННЯ).
	Трубу зливної системи заблоковано. Фільтр закупорений залишками їжі	Очистіть трубу зливної системи. Очистіть фільтр (див. «ОЧИЩЕННЯ ВУЗЛА ФІЛЬТРУ»).
Посудомийна машина породжує надмірний шум.	Посуд деренчить.	Правильно розташуйте посуд (див. «ЗАВАНТАЖЕННЯ КОРЗИН»).
	Виробляється надмірна кількість піни.	Неправильно відміряно потрібну кількість миючого засобу або він не підходить для використання у посудомийних машинах (див. «НАПОВНЕННЯ ДОЗАТОРА МИЮЧОГО ЗАСОБУ»). Перезапустіть поточний цикл, вимкнувши посудомийну машину і увімкнувши її знову. Після цього виберіть нову програму, натисніть «СТАРТ/ПАУЗА» і закрийте дверцята протягом 4 секунд. На цьому етапі не додавайте жодного мийного засобу.
Посуд не очищено.	Посуд було неправильно розміщено.	Правильно розташуйте посуд (див. «ЗАВАНТАЖЕННЯ КОРЗИН»).
	Розбризувач не може вільно обертатися, йому перешкоджає посуд.	Правильно розташуйте посуд (див. «ЗАВАНТАЖЕННЯ КОРЗИН»).
	Цикл миття занадто м'який.	Виберіть відповідний цикл миття (див. «ТАБЛИЦЮ ПРОГРАМ»).
	Виробляється надмірна кількість піни.	Неправильно відміряно потрібну кількість миючого засобу або він не підходить для використання у посудомийних машинах (див. «НАПОВНЕННЯ ДОЗАТОРА МИЮЧОГО ЗАСОБУ»).
	Кришку відділення ополіскувача не закрито належним чином.	Переконайтеся, що кришку дозатора ополіскувача закрито.
	Фільтр забруднений або забитий. Відсутня сіль.	Очистіть вузол фільтра (див. «ДОГЛЯД І ТЕХНІЧНЕ ОБСЛУГОВУВАННЯ») Наповніть бачок для солі (див. «НАПОВНЕННЯ БАЧКА ДЛЯ СОЛІ»).
Посудомийна машина не набирає воду. Позначення на дисплеї: <b>H</b> , <b>6</b> і світлодіод УВІМК./ВИМК. швидко блимає	Немає води у системі водопостачання або закритий кран.	Перевірте, чи є напір у системі водопостачання або чи відкритий кран.
	Впускний шланг перегнутий.	Переконайтеся, що зливний шланг не перегнутий (див. розділ «ВСТАНОВЛЕННЯ») запрограмуйте посудомийну машину і перезавантажте її.
	Засмічена сітка на впускному шлангу; її потрібно очистити.	Після проведення перевірки і очищення вимкніть і увімкніть посудомийну машину і запустіть нову програму.
Посудомийна машина закінчує цикл передчасно. Позначення на дисплеї: <b>15</b> і світлодіод УВІМК./ВИМК. швидко блимає	Занадто низько розташований зливний шланг або зливання в домашню каналізаційну систему.	Перевірте, чи встановлений на правильній висоті кінець зливного шланга (див. розділ «ВСТАНОВЛЕННЯ»). Перевірте наявність сифона в домашній каналізації, при необхідності встановіть вентиль впускного повітря.
	Повітря в водопроводі.	Перевірте подачу води на предмет витоків або інших проблем, пов'язаних з проникненням повітря в систему.
Витік миючого засобу.	Залежать від типу рідини, що використовується; його можна легко помітити, якщо активована опція затримки.	Невеликі протікання не призведуть до несправності машини. Але їм можна запобігти шляхом заміни типу рідкого миючого засобу або використання таблеток.

**З політикою компанії, нормативною документацією, інформацією про замовлення запасних частин та додатковою інформацією про продукт можна ознайомитися:**

- Використання QR-коду на вашому виробі.
- Відвідайте наш веб-сайт [docs.whirlpool.eu/docs](https://docs.whirlpool.eu/docs) і [parts-selfservice.europeanappliances.com](https://parts-selfservice.europeanappliances.com)
- Або зверніться до нашої служби післяпродажного обслуговування клієнтів (номер телефону зазначено у гарантійному талоні). Звертаючись до центру післяпродажного обслуговування, повідомте коди, зазначені на таблиці з паспортними даними виробу.

Інформацію про модель можна отримати, скориставшись вказаним на маркуванні енергоефективності QR-кодом. На етикетці також зазначений ідентифікатор моделі, який можна використовувати для перегляду порталу реєстру за адресою: <https://eprel.ec.europa.eu>

©/TM/ © 2024 Whirlpool. Виробляється за ліцензією.

