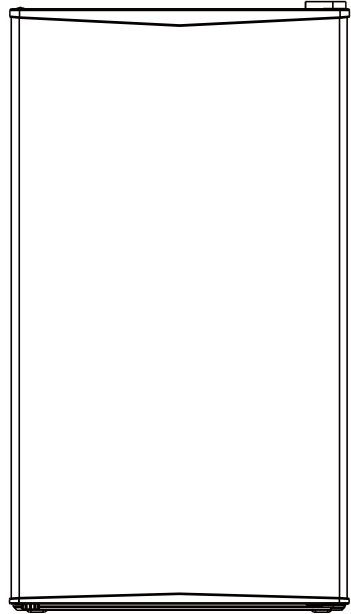




USER MANUAL

Compact Refrigerator

Power supply: AC115V
Frequency: 60Hz
Capacity: 3.3cu.ft.



Warning:
Before using this product, please read this manual carefully and keep it for future reference. The design and specifications are subject to change without prior notice for product improvement. Consult with your dealer or manufacturer for details.

Free 3 months
extension of the
original limited warranty
period!* Simply text a
picture of your proof of
purchase to:

1-844-224-1614

*The warranty extension is for the three months immediately following the completion of the product's original warranty period. Individuals do not need to register the product in order to get all the rights and remedies of registered owners under the original limited warranty.

Dear user

Thank you for letting Midea help you "make yourself at home." This manual is part of our commitment to your total satisfaction. Please read this manual carefully before use and keep it in a convenient place for future reference.

To help us serve you better, please consider registering your product using our convenient Midea app MSmartlife, by visiting <http://www.midea.ca>, or by texting a picture of your proof of purchase to **1-844-224-1614**.

By using the text option you will earn an additional 3 month warranty extension immediately following the completion of the product's original warranty.

REFRIGERATOR SAFETY	3
OPERATION REQUIREMENTS	6
Location Requirements.....	6
Electrical Requirements.....	7
PARTS AND FEATURES	8
INSTALLATION	9
Unpack	9
Move to Final Location	9
Level Refrigerator.....	10
Reverse the Door Swing	10
BEFORE USE	12
Waiting Period	12
Cleaning	12
REFRIGERATOR USE	13
General.....	13
Controls.....	14
REFRIGERATOR CARE.....	14
Cleaning	14
Defrosting	15
Moving.....	16
Storage.....	16
TROUBLESHOOTING	17
WARRANTY.....	20

REFRIGERATOR SAFETY

YOUR SAFETY AND THE SAFETY OF OTHERS ARE VERY IMPORTANT

To prevent injury to the user or other people and property damage, the instructions shown here must be followed. Incorrect operation due to ignoring of instructions may cause harm or damage, including death.

The level of risk is shown by the following indications.



WARNING

This symbol indicates the possibility of death or serious injury.



CAUTION

This symbol indicates the possibility of injury or damage to property.



WARNING

This symbol indicates the possibility of dangerous voltage constituting a risk of electrical shock is present that could result in death or serious injury.

IMPORTANT SAFETY INSTRUCTIONS

WARNING

GENERAL APPLIANCE SAFETY

- Read all safety warnings, instructions, illustrations and specifications provided with this appliance. Failure to follow all instructions listed below may result in electric shock, fire and/or serious injury.
- Save all warnings and instructions for future reference.

ELECTRICAL SAFETY

- Plug into a grounded 3 prong outlet.
- Do not remove ground plug.
- Do not use an adapter.
- Unplug the power cord by holding the plug, never by pulling the cord.
- DO NOT turn the appliance on or off by plugging or unplugging the power cord.
- DO NOT use an extension cord.
- Unplug the refrigerator before cleaning or defrosting.

Grounding requirement

- This refrigerator must be grounded. This refrigerator is equipped with a grounding plug. The plug must be inserted into an outlet that is properly installed and grounded.

- Improper use of the grounding plug can result in a risk of electric shock. Consult a qualified electrician or service person if the grounding instructions are not completely understood or if doubt exists as to whether the refrigerator is properly grounded.

LOCATION SAFETY

- This refrigerator is intended to be used in household and similar environments.
- Install in accordance with the manufacturer's instructions.
- This refrigerator should not be recessed or built-in an enclosed cabinet. It is designed for freestanding installation only.
WARNING - Keep ventilation openings, in the refrigerator, clear of obstruction.
- **DO NOT** install near any heat sources, such as radiators, heat registers, stoves, other cooking appliances or in direct sunlight.
- **DO NOT** store or use gasoline or any flammable liquids inside or in the vicinity of this refrigerator.
- Do not store explosive substances such as aerosol cans with a flammable propellant in this appliance.

USE AND CARE SAFETY

- Flammable refrigerant used. Follow handling instructions carefully. Risk of fire or explosion due to puncture of refrigerant tubing.
- Flammable refrigerant used. Do not use mechanical devices to defrost freezer. Do not puncture refrigerant tubing.
- In the event of a gas leak in the location where the refrigerator is used, turn off the gas, open doors and windows and evacuate the building. **DO NOT** unplug the refrigerator as this may cause a spark.
- Do not use electrical appliances inside the food storage compartment of the appliance, unless they are of the type recommended by the manufacturer.
- This appliance is not intended for use by persons (including children) with reduced physical, sensory or mental capabilities, or lack of experience and knowledge, unless they have been given supervision or instruction concerning use of the appliance by a person responsible for their safety.
- Keep key away from children.
- Children should be supervised to ensure that they **DO NOT** play with the appliance.
- **DO NOT** touch the interior of the freezer with wet hands. This could result in frostbite.
- Clean only with a damp cloth. Use nonflammable cleaner.

SERVICE SAFETY


- Disconnect power before servicing.
- Flammable refrigerant used. To be repaired only by trained service personnel. **DO NOT** puncture refrigerant tubing.

- Refer all servicing to qualified service personnel. Do not repair or replace any part of this appliance unless specifically recommended in this manual. Servicing is required when the appliance has been damaged in any way, such as the power supply cord or plug is damaged, liquid has been spilled or objects have fallen into the appliance, the appliance has been exposed to rain or moisture, does not operate normally, or has been dropped.
- If the supply cord is damaged, it must be replaced by the manufacturer, its service agent, or similarly qualified person, in order to avoid a hazard.
- If component part is damaged, it must be replaced by the manufacturer, its service agent or similarly qualified persons in order to avoid a hazard.
- Replace all parts and panels before operating.

SAVE THESE INSTRUCTIONS

THIS APPLIANCE IS FOR HOUSEHOLD USE ONLY

State of California Proposition 65 Warnings:

 **WARNING:** Cancer and Reproductive Harm
[-www.P65Warnings.ca.gov](http://www.P65Warnings.ca.gov).

PROPER DISPOSAL

WARNING

Suffocation Hazard

Before you throw away your old refrigerator:

- Remove the door or lid so that children cannot hide or get trapped inside your old appliance.
- Leave any shelves in place so that children may not easily climb inside.
- Failure to follow these instructions can result in death or brain damage.

IMPORTANT: Flammable gas, refrigerant and foam. It is the consumer's responsibility to comply with Federal and Local regulations when disposing of this product. Refrigerants must be evacuated by a licensed, EPA certified refrigerant technician in accordance with established procedures.

OPERATION REQUIREMENTS

LOCATION REQUIREMENTS

WARNING

Explosion and Fire Hazard

- Keep flammable materials and vapors, such as gasoline, away from appliance.
- Failure to do so, can result in death, explosion or fire.

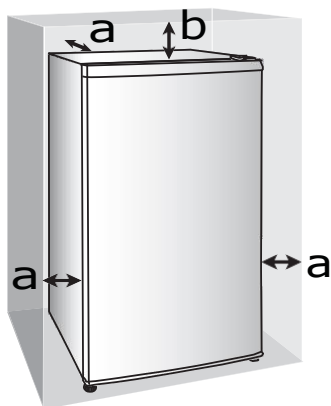
This refrigerator is designed to be freestanding only, and should not be recessed or built-in.

- Place your refrigerator on a floor that is level and strong enough to support the refrigerator when it is fully loaded.
- Place your refrigerator where there is access to the required electrical connection. See "Electrical Requirements."
- Locate the refrigerator away from direct sunlight and sources of heat, such as a stove, heater or radiator.

NOTES:

- Direct sunlight may affect the acrylic coating and heat sources may increase electrical consumption.
- Extremely cold temperatures may also prevent the refrigerator from performing properly.
- Avoid locating the refrigerator in areas with high humidity.
- Adequate air circulation is required for efficient operation. Maintain the recommended clearance to ensure adequate air circulation.

RECOMMENDED CLEARANCE



- a** 4" (10 cm) Clearance at the back and both sides of the refrigerator
- b** 10" (30 cm) Clearance at the top

NOTE: If you place the refrigerator next to a fixed wall, allow sufficient space on the hinge-side for the door to swing open.

ELECTRICAL REQUIREMENTS

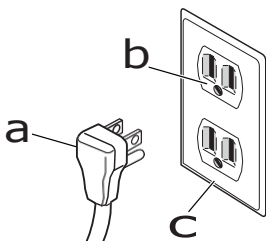
WARNING

Electrical Shock Hazard

- Plug into a grounded 3 prong outlet.
- Do not remove the ground prong from the power cord plug.
- Do not use an adapter.
- Do not use an extension cord.
- Failure to do so can result in death, fire or electrical shock.

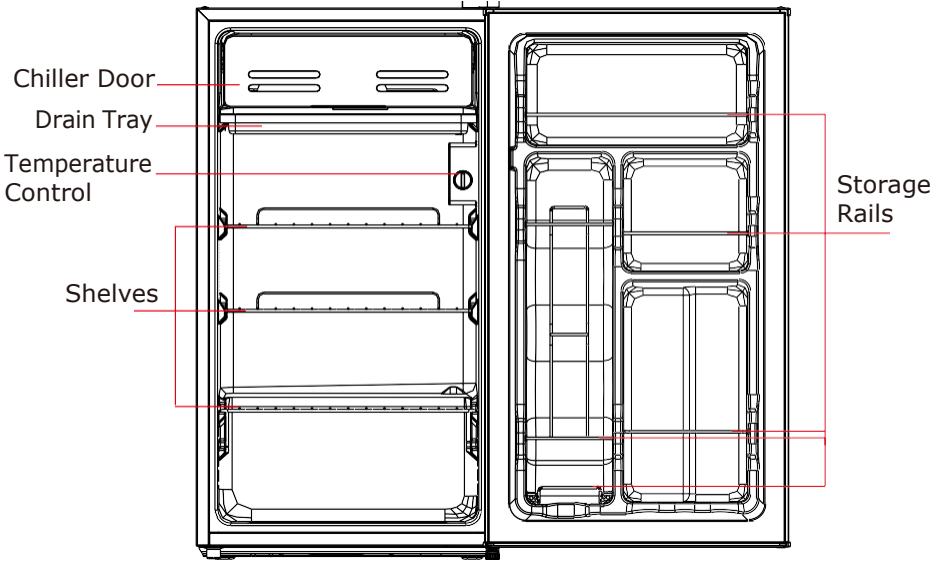
IMPORTANT: A 115 Volt, 60 Hz., AC only, 15-amp fused, grounded electrical supply is required.

- Use an electrical outlet that accepts the grounding prong.
NOTE: The power cord is equipped with a 3-prong (grounding) plug which mates with a standard 3-prong (grounding) electrical outlet.
- We recommend that the refrigerator be plugged into an electrical circuit serving **ONLY** this appliance.
- Use an electrical outlet that cannot be turned off with a switch or pull-chain.
- **DO NOT** use an extension cord.



- a** 3-prong plug
- b** 3-prong receptacle
- c** Receptacle box cover

PARTS AND FEATURES



(The picture above is only for reference. The actual configuration will depend on the physical product.)

SPECIFICATIONS

Dimension (WxDxH)	18.6" x 17.7" x 33.9" (47.2 x 45 x 86 cm)
Weight	42.8 lbs.(19.4 kg)
Power requirements	AC115 V /60 Hz
Power cord length	67" (170 cm)

INSTALLATION

UNPACK

WARNING

Fire or Explosion Hazard

- Do not puncture refrigerant tubing.
- Follow handling instructions carefully.
- Flammable refrigerant used.
- Failure to do so can result in death, explosion or fire.

IMPORTANT: Remove ALL exterior and interior packing materials including the foam packing between the exterior condenser and the refrigerator cabinet.

MOVE TO FINAL LOCATION

WARNING

Fire or Explosion Hazard

- Do not puncture refrigerant tubing.
- Follow handling instructions carefully.
- Flammable refrigerant used.
- Failure to do so can result in death, explosion or fire.

IMPORTANT:

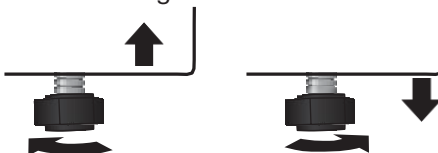
- If the refrigerator has been in a horizontal position for any period of time, wait 24 hours to allow the refrigerant to settle before plugging in the refrigerator.
- When moving the refrigerator, DO NOT tilt it beyond 45° from upright.
NOTE: Tilting the refrigerator more than 45° could damage the compressor and the sealed system.

LEVEL REFRIGERATOR

IMPORTANT: Level the refrigerator for proper operation and to avoid cooling, frost and moisture problems that can occur when the door does not close properly.

1. Move the refrigerator to its final location. See "Move to Final Location."
2. Place a carpenter's level on the top of the refrigerator cabinet.
3. Adjust the two leveling feet, (one foot located at each of the two front corners of the refrigerator cabinet) until the refrigerator is level.

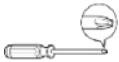



NOTE: The leveling feet are easier to adjust if you have someone push against the top front of the refrigerator to take some weight off the feet.



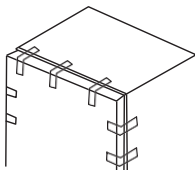
To Raise - Turn the leveling feet clockwise.

To Lower - Turn the leveling feet counterclockwise.

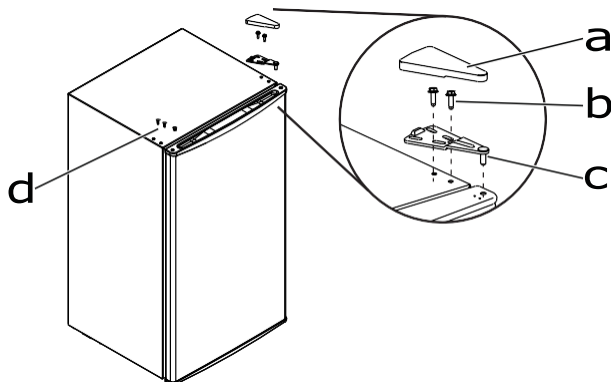
REVERSE THE DOOR SWING

List of tools to be provided by the user			
	Phillips-head Screwdriver		Putty knife Flat-head Screwdriver
	" socket and ratchet		Masking tape

1. Unplug the refrigerator and remove all food from the door shelves. Tape the door in place with masking tape.

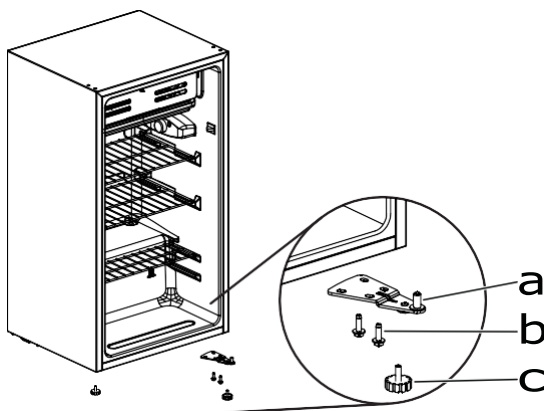


- Remove the top right hinge cover. Unscrew the screws and remove the top, right-hand side hinge. Keep the screws to reuse. Remove the plastic screw hole covers from the top left side of the refrigerator.



- a** Hinge Cover
- b** Screws
- c** Top Hinge
- d** Hole Covers

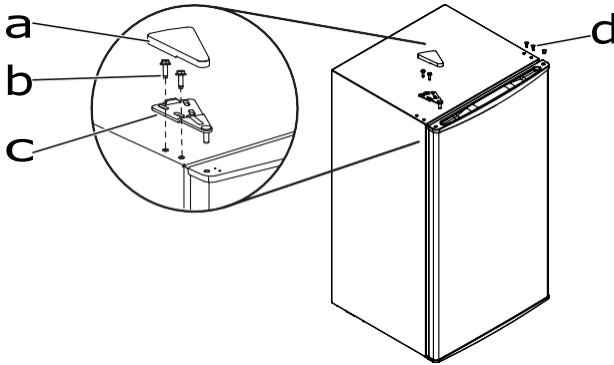
- Lift the door up and away from your refrigerator.
- Unscrew the screws on the bottom right-hand side hinge and remove the hinge and the leveling foot.



- a** Bottom Hinge
- b** Screws
- c** Leveling Foot

- Unscrew the leveling foot from the bottom left side.
- Install the bottom hinge onto the left side of the refrigerator.
- Install the leveling foot on the right side of the refrigerator.
- Carefully lift the refrigerator door and place it on the lower hinge.

9. Install the top hinge on the right side of the refrigerator.



- a Hinge Cover
b Screws
c Top Hinge
d Hole Covers

10. Replace the hinge cover over the hinge. Place the plastic screw hole covers on the right side of the refrigerator.

(The picture above is only for reference. The actual configuration will depend on the physical product.)

BEFORE USE

WAITING PERIOD

- Before plugging the refrigerator into a grounded 3-prong electrical outlet, allow it to stand upright for approximately 2 hours.

NOTE: This reduces the possibility of a malfunction in the cooling system from improper handling during transportation.

CLEANING

1. Wash the refrigerator interior using a soft cloth dampened with a baking soda solution (2 tablespoons baking soda mixed with 1 quart of warm water).
2. Using a soft cloth, thoroughly dry all surfaces.

REFRIGERATOR USE

GENERAL

- The storage life of frozen foods varies and the recommended storage time should not be exceeded.
- Do NOT place beverage cans, bottles or other sealed containers of liquid in the freezer. Freezing may cause the containers to crack and leak, damaging the freezer.



WARNING

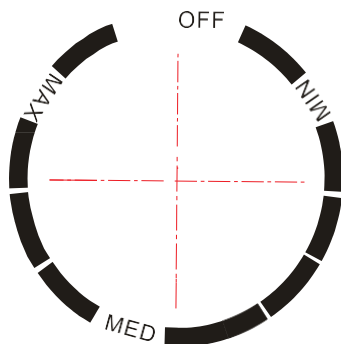
Electrical Shock Hazard

- Plug into a grounded 3 prong outlet.
 - Do not remove the ground prong from the power cord plug.
 - Do not use an adapter.
 - Do not use an extension cord.
 - Failure to do so can result in death, fire or electrical shock.
1. Plug in your refrigerator. Wait for 30 minutes, and then open the refrigerator door to determine if the refrigerator is working properly.
 2. Place frozen food into the refrigerator as quickly as possible after purchase. If there are instructions on the package, carefully follow these instructions regarding storage times.

ENERGY SAVING TIPS

- Allow hot foods to cool to room temperature before placing them in the refrigerator. Foods that freeze too slowly may lose quality or spoil.
- Overloading the refrigerator forces the compressor to run longer.
- Wrap foods properly and wipe containers dry before placing them in the refrigerator. This cuts down on frost build-up inside the refrigerator.
- Do not line refrigerator storage shelves with aluminum foil, wax paper or paper toweling. Liners interfere with cold air circulation, making the refrigerator less efficient.
- Organize and label food to reduce door openings and extended searches. Remove as many items as needed at one time, and then close the door as soon as possible.
- Do NOT add a large amount of unfrozen food to the refrigerator at one time. This will lower the cooling efficiency of the refrigerator.

CONTROLS



The controls are located inside your refrigerator. Turn the controls to adjust the temperature of your refrigerator. Start with the controls at the midpoint (MED) setting.

- To make the refrigerator cooler, turn the knob toward MAX.
- To make the refrigerator less cold, turn the control toward MIN.
- To turn the refrigerator off, turn the control to OFF. Your refrigerator will not cool when the control is set to OFF.

REFRIGERATOR CARE

Your refrigerator is designed for year-round use and requires minimal cleaning and maintenance. To keep your refrigerator running efficiently and odor free, we recommend that you clean the refrigerator regularly.

NOTE: To improve cooling, dust and clean behind the refrigerator regularly.

CLEANING

WARNING

Electrical Shock Hazard

- Unplug your appliance or disconnect power before cleaning.
- Failure to do so can result in death, electric shock or personal injury.

WARNING

Explosion Hazard

- Use nonflammable cleaner.
- Failure to do so can result in death, explosion or fire.

IMPORTANT: To prevent damage to the finish, **DO NOT** use gasoline, benzine, thinner or other solvents, and **DO NOT** use abrasive cleaners.

1. Unplug the refrigerator from the electrical outlet.
2. Remove all food.
3. Remove and wash the shelves with a mild detergent solution.
4. Wash the refrigerator interior using a soft cloth dampened with a baking soda solution (2 tablespoons baking soda mixed with 1 quart of warm water).
5. Clean the gasket around the door. Gently wipe the gasket using a soft cloth dampened with a mild detergent solution.

NOTE: Gaskets must be kept clean and pliable to assure a proper seal.

6. Using a soft cloth, thoroughly dry all surfaces.
7. Plug in or reconnect power.

DEFROSTING

Defrost the refrigerator as needed when ice in the freezer compartment becomes too thick.

1. Turn the refrigerator control to OFF. Unplug the refrigerator or disconnect power.
2. Remove all food from the refrigerator and freezer compartments and store in a cooler with ice, in another refrigerator or in a cool area.
3. Ensure that the drainpipe is clear. Use a soft cloth to clean the refrigerator liner.
4. Place the drain tray under the evaporator to catch the water from the melting ice. Empty the drain tray as necessary to prevent water from overflowing.
5. Keep the refrigerator door open until the ice melts.
6. If desired, place a pan of hot water in the freezer to speed melting.
7. Use a plastic scraper to help remove ice and frost. Do not use an ice pick, or other metal or sharp implement as this may damage the refrigerator.
8. Once the ice has melted, dry the refrigerator with a soft cloth.
9. Plug in the refrigerator and turn the controls to the desired temperature setting. When the refrigerator has cooled, return food to the refrigerator and freezer compartments.

MOVING

IMPORTANT: When moving your refrigerator, DO NOT tilt it beyond 45° from upright.

1. Unplug your refrigerator from the wall outlet.
2. Remove all food.
3. Securely tape down all loose items inside your refrigerator.
4. Tape the door shut.

STORAGE

IMPORTANT: Do not store refrigerator in a location that is accessible to children.

1. Unplug your refrigerator from the electrical outlet.
2. Remove all food.
3. Clean the refrigerator.
4. Leave the door open slightly to avoid possible formation of condensation, mold or odor.

TROUBLESHOOTING

IMPORTANT: DO NOT try to repair your refrigerator yourself. Doing so invalidates the warranty.

PROBLEM	POSSIBLE CAUSE	SOLUTION
The refrigerator does not operate	The refrigerator is unplugged.	Make sure that the refrigerator power cord is fully plugged into the electrical outlet.
	The fuse on the circuit is blown or the circuit breaker is tripped.	Check the house fuse / circuit breaker box and replace the fuse or reset the circuit breaker.
	Power failure.	If a power failure occurs, the refrigerator turns off. Wait until the power is restored.
The refrigerator door does not close completely	Food packages are interfering with the door.	Move or remove some food items.
	The door gaskets are dirty.	Clean the door gaskets.
	The refrigerator may not be level.	Level the refrigerator.
Food in the refrigerator is not cold	The door has been opened too often or was not closed properly.	Make sure that the door is closed properly.
	A large amount of food was recently added.	Allow time for the recently added food to cool, and then check again.
	The door is not closed completely.	Check the door gasket and food distribution, and make sure that the door closes completely.
	The refrigerator has been disconnected for a period of time.	Allow 4 hours for the refrigerator to cool completely before adding food.
	The temperature control is set too warm.	Set the temperature control to a colder setting.

PROBLEM	POSSIBLE CAUSE	SOLUTION
The refrigerator makes unusual noises or vibrations	The refrigerator may not be level.	Adjust the leveling feet located on the front corners of the refrigerator until the refrigerator is level.
	The refrigerator cabinet is touching a wall.	Move the refrigerator away from the wall.
	Metal parts undergo expansion and contraction.	This is normal.
	Refrigerant is circulating throughout the system.	This is normal.
Moisture is building up in the interior of the refrigerator	The door has been opened too often or was not closed properly.	Make sure that the door is closed properly.
	The refrigerator is located in a humid area.	Move the refrigerator to a drier location.
	The weather is hot and humid.	This is normal.
The compressor turns on and off frequently.	The room temperature is hotter than normal.	This is normal.
	A large amount of food was recently added.	Allow time for the recently added food to cool, and then check again.
	The door is not closed completely or was opened too often.	Check the door gasket and food distribution to make sure the door will close completely.
	The refrigerator has been disconnected for a period of time.	Allow 4 hours for the refrigerator to cool completely before adding food.
	The temperature control was not set correctly.	Set the temperature control to the correct setting.

PROBLEM	POSSIBLE CAUSE	SOLUTION
Refrigerator has an odor	Refrigerator needs cleaning.	Clean the refrigerator. See, "Cleaning."
	Improperly wrapped food is giving off an odor.	Wrap food tightly or seal before storing it in the refrigerator.
The drain tray has overflowed	There is too much food in the refrigerator causing excessive defrosting.	Remove food from the refrigerator. Empty the drain tray more frequently.
	The doors are not closing properly allowing warm air to enter the refrigerator.	Ensure the doors close completely. See "The refrigerator door does not close completely"
The compressor housing is hot	The housing of the built-in condenser is hot.	This is normal. Provide adequate ventilation to aid cooling.
There is condensation on the exterior	The weather is hot and humid.	This is normal. Use a soft cloth to wipe off the excess moisture.

MIDEA REFRIGERATOR LIMITED WARRANTY

ATTACH YOUR RECEIPT HERE. PROOF OF PURCHASE IS REQUIRED TO OBTAIN WARRANTY SERVICE.

Please have the following information available when you call the Customer Service Center:

- Name, address and telephone number
- Model number and serial number
- A clear, detailed description of the problem
- Proof of purchase including dealer or retailer name and address

IF YOU NEED SERVICE:

1. Before contacting us to arrange service, please determine whether your product requires repair. Some questions can be addressed without service. Please take a few minutes to review the Troubleshooting section of the User Manual, or visit <http://us.Midea.com/support>
2. All warranty service is provided exclusively by our authorized Midea Service Providers, in the U.S. and Canada.

Midea Customer Service

In the U.S.A. or Canada, call 1-866-646-4332.

If outside the 50 States of the United States or Canada, contact your authorized Midea dealer to determine whether another warranty applies.

1 YEAR PARTS AND LABOR

WHAT IS COVERED

FIRST YEAR LIMITED WARRANTY (PARTS AND LABOR)

Midea will repair or replace, without charge, any defects due to faulty materials or workmanship for one full year from the date of purchase. For further detail of warranty coverage and warranty repair information, visit www.midea.com or call **1-866-646-4332**.

Consumer will be responsible for:

- Diagnostics, removal, transportation and reinstallation cost required because of service.
- Costs of service calls that are a result of items listed under **NORMAL RESPONSIBILITIES OF THE CONSUMER****

NORMAL RESPONSIBILITIES OF THE CONSUMER**

This warranty applies only to products in ordinary household use, and the consumer is responsible for the items listed below:

1. Proper use of the appliance in accordance with the instructions provided with the product.
2. Routine maintenance and cleaning necessary to keep the good working condition.
3. Proper installation by an authorized service professional in accordance with instructions provided with the appliance and in accordance with all local plumbing, electrical and / or gas codes.
4. Proper connection to a grounded power supply of sufficient voltage, replacement of blown fuses, repair of loosened connections or defects in house wiring.
5. Expenses for making the appliance accessible for servicing.
6. Damages to finish after installation.

YOUR SOLE AND EXCLUSIVE REMEDY UNDER THIS LIMITED WARRANTY SHALL BE PRODUCT REPAIR OR REPLACEMENT AS PROVIDED HEREIN. Service must be provided by a Midea designated service company. This limited warranty is valid only in the 50 States of the United States or Canada and applies only when the major appliance is used in the country in which it was purchased. This limited warranty is effective from the date of original consumer purchase. Proof of original purchase date is required to obtain service under this limited warranty.

WHAT IS NOT COVERED

1. Failure caused by damage to the unit while in your possession (other than damage caused by defect or malfunction), by its improper installation, or by unreasonable use of the product, including without limitation, failure to provide reasonable and necessary maintenance or to follow the written Installation and Instruction Manual.
2. Products purchased "as-is" or refurbished are not covered by this warranty.
3. Food loss caused by refrigerator or freezer failure.
4. Service calls to repair or replace consumables such as water filters, light bulbs air filters etc., or handles, knobs and other cosmetic parts.
5. Product that has been transferred from its original owner.
6. Interior or exterior rust on the unit.
7. Damages caused by services performed by persons other than authorized Midea servicers; use of parts other than Midea replacement parts; obtained from persons other than such Midea customer service; or external causes such as abuse, misuse, inadequate power supply or acts of God.
8. Service calls resulting from improper installation of your product.
9. Service calls to instruct you on the use of your product.
10. Surcharges including, but not limited to, any after hour, weekend, or holiday service calls, tolls, ferry trip charges, or mileage expense for service calls to remote areas, including the state of Alaska.
11. If the unit is put to commercial, business, rental, or other use or application other than for consumer use, we make no warranties, express or implied, including but not limited to, any implied warranty of merchantability or fitness for particular use or purpose.
12. Product that has been removed outside the USA or Canada.
13. Products without original serial numbers or products that have serial numbers which have been altered or cannot be readily determined.

NOTE: Some states do not allow the exclusion or limitation of incidental or consequential damages. So this limitation or exclusion may not apply to you.

The cost of repair or replacement under these excluded circumstances shall be borne by the customer.

DISCLAIMER OF IMPLIED WARRANTIES

IMPLIED WARRANTIES, INCLUDING ANY IMPLIED WARRANTY OF MERCHANTABILITY OR IMPLIED WARRANTY OF FITNESS FOR A PARTICULAR PURPOSE, ARE LIMITED TO ONE YEAR OR THE SHORTEST PERIOD ALLOWED BY LAW. Some states and provinces do not allow limitations on the duration of implied warranties of merchantability or fitness, so this limitation may not apply to you. This warranty gives you specific legal rights, and you also may have other rights that vary from state to state or province to province.

DISCLAIMER OF REPRESENTATIONS OUTSIDE OF WARRANTY

Midea makes no representations about the quality, durability, or need for service or repair of this major appliance other than the representations contained in this warranty. If you want a longer or more comprehensive warranty than the limited warranty that comes with this major appliance, you should ask Midea or your retailer about buying an extended warranty.

LIMITATION OF REMEDIES; EXCLUSION OF INCIDENTAL AND CONSEQUENTIAL DAMAGES

YOUR SOLE AND EXCLUSIVE REMEDY UNDER THIS LIMITED WARRANTY SHALL BE PRODUCT REPAIR AS PROVIDED HEREIN. MIDEA SHALL NOT BE LIABLE FOR INCIDENTAL OR CONSEQUENTIAL DAMAGES. Some states and provinces do not allow the exclusion or limitation of incidental or consequential damages, so these limitations and exclusions may not apply to you. This warranty gives you specific legal rights, and you also may have other rights that vary from state to state or province to province.

05/19



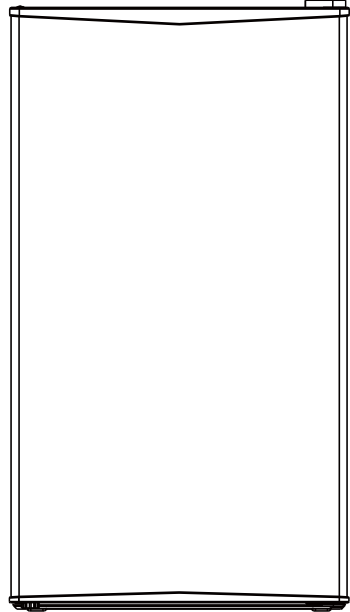
Réfrigérateur compact

Alimentation en électricité : AC115V
Fréquence : 60 Hz
Capacité : 93L

Avertissement :
Avant d'utiliser ce produit,
veuillez lire le présent guide avec
soin et le conserver aux fins de
consultation ultérieure. Le
concept et les spécifications
peuvent changer sans préavis à
titre d'amélioration de produit.
Consultez votre concessionnaire
ou fabricant pour obtenir des
précisions.

version A - 11 - 2021

GUIDE DE L'UTILISATEUR



Extension gratuite
de 3 mois de la période
de garantie limitée initiale*
Envoyez simplement une
photo de votre preuve d'achat
par message texte au :

1-844-224-1614

*L'extension de garantie porte sur les trois mois
suivant immédiatement
la fin de la période de garantie initiale du produit.
Les particuliers n'ont pas besoin d'enregistrer le
produit pour obtenir tous les droits et recours des
propriétaires enregistrés en vertu de la garantie
limitée d'origine.

MODÈLE NUMÉRO MRM33S4AWWC
MRM33S4ASLC
www.midea.ca

Cher utilisateur

Mercide laisser Midea vous aider à « vous sentir comme chez vous ». Ce manuel fait partie de notre engagement envers votre entière satisfaction. Veuillez lire le présent manuel attentivement avant d'utiliser le produit et le conserver dans un endroit pratique pour consultation ultérieure.

Pour nous aider à mieux vous servir, veuillez envisager d'enregistrer votre produit en utilisant notre application pratique MSmartlife de Midea, en consultant la page <http://www.midea.ca>, ou en envoyant une photo de votre preuve d'achat par message texte au **1-844-224-1614**.

En utilisant l'option de texte, vous obtiendrez une prolongation de garantie supplémentaire de trois mois immédiatement après l'achèvement de la garantie originale du produit.

SÉCURITÉ DE RÉFRIGÉRATEUR	3
EXIGENCES EN MATIÈRE DE FONCTIONNEMENT	6
Exigences en Matière D'emplacement.....	6
Exigences électriques.....	8
PIÈCES ET CARACTÉRISTIQUES	9
INSTALLATION	10
Déballage.....	10
Déplacez à sa destination finale	10
Mettez le réfrigérateur de niveau	11
Inverser l'ouverture de la porte	11
AVANT L'UTILISATION	13
Période d'attente	13
Nettoyage	13
UTILISATION DU RÉFRIGÉRATEUR	14
Généralités.....	14
Commandes	15
ENTRETIEN DU RÉFRIGÉRATEUR	15
Nettoyage	15
Dégivrage	16
Déplacement	17
Emplacement.....	17
DÉPANNAGE	18
GARANTIE	21

SÉCURITÉ DE RÉFRIGÉRATEUR

VOTRE SÉCURITÉ PERSONNELLE ET CELLE DES AUTRES PERSONNES SONT D'UNE IMPORTANCE CAPITALE.

Pour éviter toutes blessures de l'utilisateur ou d'autres personnes et tous dommages matériels, il est impératif de suivre les instructions dans le présent guide. Une utilisation incorrecte de l'appareil en raison du non-respect des instructions peut causer des blessures ou des dommages, et même la mort.

Les indications suivantes illustrent le niveau de risque.



AVERTISSEMENT

Ce symbole signale la possibilité de mort ou de blessure grave.



ATTENTION

Ce symbole signale la possibilité de blessure ou de dommages matériels.



AVERTISSEMENT

Ce symbole signale la possibilité d'une tension dangereuse constituant un risque de choc électrique susceptible d'entraîner la mort ou une blessure grave.

CONSIGNES DE SÉCURITÉ IMPORTANTES



AVERTISSEMENT

SÉCURITÉ EN MATIÈRE D'ÉLECTROMÉNAGERS

- Lisez tous les avertissements en matière de sécurité, les directives et les spécifications fournies avec cet appareil. Le défaut de lire toutes les directives pourrait entraîner une décharge électrique, un incendie et/ou une blessure grave.
- Conservez tous les avertissements et les directives pour référence future.

SÉCURITÉ ÉLECTRIQUE

- Branchez dans une prise à 3 fiches mise à la terre.
- Ne retirez pas la fiche de mise à la terre.
- N'utilisez pas d'adaptateur.
- Débranchez le cordon d'alimentation en tenant la prise, jamais en tirant sur le cordon.
- **NE JAMAIS** activer ou désactiver l'appareil en branchant ou en débranchant le cordon d'alimentation.
- **NE JAMAIS** utiliser de rallonge.
- Débranchez le réfrigérateur avant de le nettoyer ou de le dégivrer.

Exigences de mise à la masse

- Ce réfrigérateur doit être mis à la masse. Ce réfrigérateur est doté d'une fiche de mise à la masse. La fiche doit être insérée dans une prise qui a été installée et mise à la masse de façon appropriée.
- L'utilisation inappropriée de la fiche de mise à la masse peut provoquer une décharge électrique. Consultez un électricien certifié ou un préposé à l'entretien si vous ne comprenez pas les directives de mise à la masse ou si vous croyez que le réfrigérateur ne fait pas l'objet d'une mise à la masse appropriée.

SÉCURITÉ DE L'EMPLACEMENT

- Ce réfrigérateur a été conçu pour une utilisation résidentielle ou l'équivalent.
- Installez-le en respectant les consignes du fabricant.
- Le réfrigérateur ne doit pas être encastré dans un endroit restreignant. Il est conçu pour se retrouver à aire ouverte seulement. **AVERTISSEMENT** — Gardez les ouvertures de ventilation du réfrigérateur à l'écart des obstructions.
- **NE JAMAIS** installer près d'une source de chaleur comme une plinthe, un radiateur, un poêle ou autre appareil de cuisson ou en plein soleil.
- **NE JAMAIS** remiser ou utiliser d'essence ou autre liquides inflammables près de ce réfrigérateur.
- Ne pas entreposer de substances explosives, comme des aérosols avec un propulseur inflammable dans cet appareil.

SÉCURITÉ — UTILISATION ET SOINS

- Fluide frigorigène inflammable utilisé. Suivez attentivement les directives de manutention. Risque d'incendie ou d'explosion si le tube de fluide frigorigène est perforé.
- Fluide frigorigène inflammable utilisé. N'utilisez pas de dispositif mécanique pour dégivrer le congélateur. Ne percez pas le tube du fluide frigorigène.
- En présence d'une fuite de gaz à l'endroit où le réfrigérateur est utilisé, fermer le gaz, ouvrir les portes et les fenêtres et évacuer le bâtiment. **NE PAS** débrancher le réfrigérateur, car cela pourrait produire une étincelle.

- Ne pas utiliser d'appareils électriques à l'intérieur des compartiments de l'appareil destinés aux denrées alimentaires, à moins qu'ils ne soient du type recommandé par le fabricant.
- Cet appareil n'est pas destiné à des personnes (y compris des enfants) à capacités réduites, tant physiques que sensorielles ou mentales, ou qui n'ont aucune expérience ou connaissance, à moins d'être sous la supervision ou d'avoir obtenu des directives d'une personne responsable et qualifiée.
- Gardez hors de la portée des enfants.
- Les enfants doivent faire l'objet d'une supervision afin de s'assurer qu'ils ne tentent PAS de jouer avec l'appareil.
- NE JAMAIS toucher à l'intérieur du congélateur alors que vos mains sont mouillées. Ceci pourrait provoquer une engelure.
- Nettoyez uniquement avec un linge humide. Utilisez un nettoyeur non inflammable.

SÉCURITÉ — ENTRETIEN

- Débranchez l'appareil avant d'effectuer l'entretien.
- Fluide frigorigène inflammable utilisé. Doit être réparé uniquement par une personne formée. Ne percez PAS le tube du fluide frigorigène.
- Faites appel à une personne d'entretien qualifiée. Ne réparez pas ou ne remplacez pas de pièces sur cet appareil à moins qu'il ne le soit recommandé dans le manuel. L'appareil doit faire l'objet d'un entretien s'il a été endommagé au niveau du cordon d'alimentation ou de la fiche, si le fluide s'est échappé ou si des objets sont tombés dans l'appareil, ou encore si ce dernier a été exposé à la pluie ou à l'humidité, ne fonctionne pas normalement ou a fait l'objet d'une chute.
- Si le cordon d'alimentation est endommagé, il doit être remplacé par le fabricant, l'agent responsable de son entretien, ou toute autre personne qualifiée, afin d'éviter tout danger.
- Si un composant est endommagé, il doit être remplacé par le fabricant, l'agent responsable de son entretien, ou toute autre personne qualifiée, afin d'éviter tout danger.
- Remplacez toutes les pièces et les panneaux avant de faire fonctionner.

CONSERVER CES CONSIGNES

CET APPAREIL EST UNIQUEMENT DESTINÉ À UN USAGE DOMESTIQUE

Avertissement - Proposition 65 de l'État de Californie:



AVERTISSEMENT : Cancer et effets nocifs sur la reproduction
-www.P65Warnings.ca.gov.

MISE AU REBUT APPROPRIÉE



AVERTISSEMENT

Dangers de suffocation

Avant de mettre au rebut votre ancien réfrigérateur :

- Déposez la porte ou le couvercle de sorte que les enfants ne puissent se cacher ou s'emprisonner dans l'ancien appareil.
- Laissez les étagères en place, faisant en sorte que les enfants ne puissent y pénétrer.
- Le défaut de respecter ces directives peut entraîner la mort ou des dommages au cerveau.

IMPORTANT : Gaz inflammable, fluide frigorigène et mousse. Il en revient au consommateur de respecter les règlements fédéraux et municipaux lors de la mise au rebut de ce produit. Les fluides frigorigènes doivent être évacués par un technicien certifié et agréé de l'EPA en matière de fluide frigorigène, selon les procédures établies.

EXIGENCES EN MATIÈRE DE FONCTIONNEMENT

EXIGENCES EN MATIÈRE D'EMPLACEMENT



AVERTISSEMENT

Danger d'explosion et d'incendie

- Gardez les matériaux et vapeurs inflammables, comme de l'essence, à l'écart de cet appareil.
- Le non-respect de cette directive peut entraîner la mort, une explosion ou un incendie.

Le réfrigérateur est conçu pour se retrouver à aire ouverte et ne doit pas être encastré.

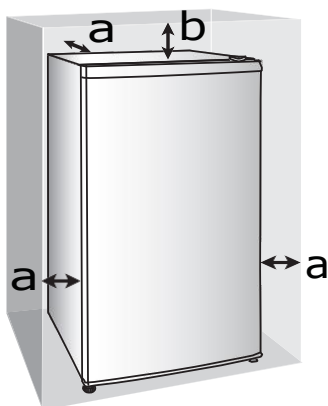
- Placez votre appareil sur un plancher de niveau, capable de supporter le réfrigérateur lorsqu'il est rempli.

- Placez votre réfrigérateur près d'une fiche électrique décrite dans les directives. Consultez "Exigences électriques."
- Placez le réfrigérateur à l'écart du soleil et autre source de chaleur, comme un poêle, un radiateur ou une plinthe.

REMARQUES :

- Le plein soleil peut endommager le revêtement en acrylique et les sources de chaleur peuvent augmenter la consommation électrique.
- Les températures extrêmement froides peuvent également affecter le fonctionnement du réfrigérateur.
- Évitez de placer le réfrigérateur dans un endroit à humidité élevée.
- On doit y retrouver une circulation d'air adéquate pour assurer un fonctionnement optimal. Respectez le dégagement recommandé pour assurer une circulation d'air appropriée.

DÉGAGEMENT RECOMMANDÉ



a Dégagement de 4 po (10 cm) à l'arrière et sur les côtés du réfrigérateur

b Dégagement de 10 3/4 po (30 cm) sur le dessus

REMARQUE : Si vous placez le réfrigérateur près d'un mur fixe, laissez un espace suffisant du côté des charnières pour permettre l'ouverture de la porte.

EXIGENCES ÉLECTRIQUES

AVERTISSEMENT

Risque de choc électrique

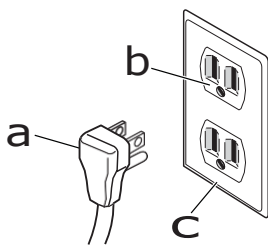
- Branchez dans une prise à 3 fiches mise à la masse.
- Ne retirez pas la fiche de mise à la masse sur le cordon d'alimentation.
- N'utilisez pas d'adaptateur.
- N'utilisez pas de rallonge.
- Le non-respect de cette directive peut entraîner la mort, un incendie ou une décharge électrique.

IMPORTANT : Utilisez un fusible 115 V, 60 Hz, c.a., 15 A comme source électrique mise à la masse.

- Utilisez une prise électrique compatible avec une fiche de mise à la masse.

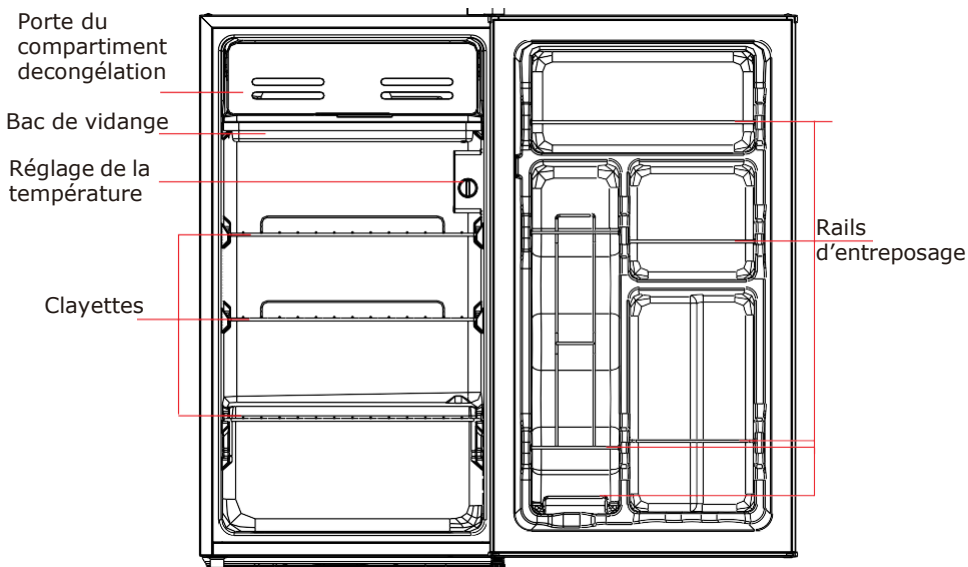
REMARQUE : Le cordon d'alimentation est doté d'une prise à 3 fiches (mise à la masse) qui est compatible à toute prise électrique standard à 3 fiches.

- Nous recommandons que le réfrigérateur soit branché dans un circuit électrique réservé **UNIQUEMENT** pour cet appareil.
- Utilisez une prise électrique qui ne peut être fermée par un interrupteur ou une chaînette à tirer.
- **NE JAMAIS** utiliser de rallonge.



- a** Prise à 3 fiches
- b** Prise de charge à 3 fiches
- c** Couvercle de boîtier de prise de charge

PIÈCES ET CARACTÉRISTIQUES



(L'illustration ci-dessus n'est fournie qu'à des fins de référence. La configuration réelle dépendra du produit physique.)

SPÉCIFICATIONS

Dimensions (LxPxH)	18,6" x 17,7" x 33,9" (47,2 x 45 x 86 cm)
Poids	42,8 lbs. (19,4 kg)
Exigences d'alimentation	AC115 V / 60 Hz
Longueur de cordon d'alimentation	67" (170 cm)

Sécurité de réfrigérateur

Exigences en Matière de Fonctionnement

Pièces et Caractéristiques

Installation

Avant utilisation

Utilisation du réfrigérateur

Entretien du réfrigérateur

Dépannage

INSTALLATION

DÉBALLAGE

AVERTISSEMENT

Incendie ou Risque d'explosion

- Ne perforez pas le tube du fluide frigorigène.
- Suivez attentivement les directives de manutention.
- Fluide frigorigène inflammable utilisé.
- Le non-respect de cette directive peut entraîner la mort, une explosion ou un incendie.

IMPORTANT : Retirez TOUT le matériel d'emballage extérieur et intérieur, y compris l'emballage en mousse situé entre le condenseur extérieur et le réfrigérateur.

DÉPLACEZ À SA DESTINATION FINALE

AVERTISSEMENT

Incendie ou Risque d'explosion

- Ne perforez pas le tube du fluide frigorigène.
- Suivez attentivement les directives de manutention.
- Fluide frigorigène inflammable utilisé.
- Le non-respect de cette directive peut entraîner la mort, une explosion ou un incendie.

IMPORTANT :

- Si le réfrigérateur se trouvait à l'horizontale pendant une certaine période, attendez 24 heures avant de brancher le réfrigérateur pour laisser le fluide frigorigène reprendre sa place.
- En déplaçant le réfrigérateur, n'inclinez PAS ce dernier plus de 45° de la position verticale.

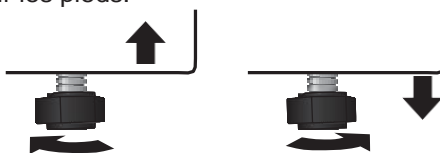
REMARQUE : Ce faisant, vous pourriez endommager le compresseur et le système scellé.

METTEZ LE RÉFRIGÉRATEUR DE NIVEAU

IMPORTANT : Mettez le réfrigérateur de niveau afin d'assurer son bon fonctionnement et éviter des problèmes de refroidissement, de givrage et d'humidité pouvant survenir si la porte ne se referme pas de façon appropriée.

1. Déplacez le réfrigérateur à sa destination finale. Consultez "Déplacez à sa destination finale."
2. Placez un niveau de menuisier sur le dessus du réfrigérateur.
3. Réglez les deux pieds de réglage (un pied situé à chaque coin avant du réfrigérateur) jusqu'à ce qu'il soit de niveau.

REMARQUE : Les pieds de réglage s'ajustent plus facilement si une autre personne pousse sur la partie supérieure avant du réfrigérateur pour enlever le poids sur les pieds.

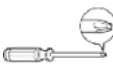

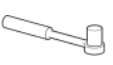



Pour soulever - Tournez le pied de réglage dans le sens horaire.

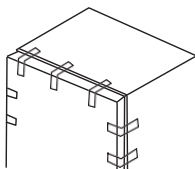
Pour abaisser - Tournez le pied de réglage dans le sens antihoraire.

INVERSER L'OUVERTURE DE LA PORTE

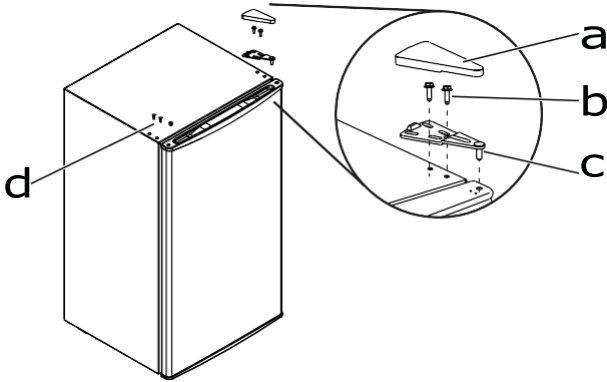
Liste des outils que l'utilisateur doit se procurer

	Tournevis cruciforme		Couteau à mastiquer Tournevis à tête plate
	Douille de 5/16 po et cliquet		Ruban de masquage

1. Débranchez le réfrigérateur, puis retirez tous les aliments présents dans les balconnets de porte. Immobilisez la porte du congélateur à l'aide du ruban de masquage.

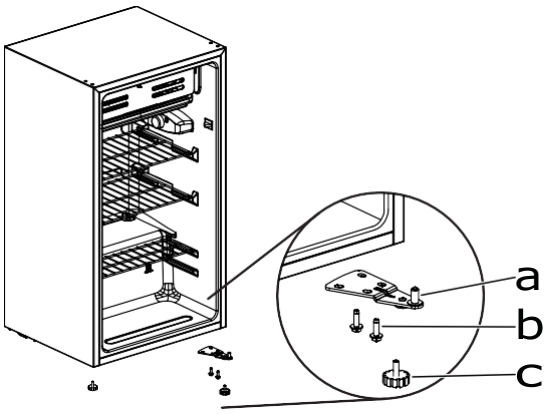


- Retirer le couvre-charnière supérieur droit. Dévisser les vis, retirer la charnière latérale supérieure droite. Mettre les vis de côté. Retirer les cache-trous pour vis en plastique sur le côté supérieur gauche du réfrigérateur.



- a** Le couvre-charnière
- b** Vis
- c** Charnière supérieure
- d** Cache-trous

- Soulever la porte pour l'écartier du réfrigérateur.
- Dévisser les vis de la charnière latérale inférieure gauche, puis retirer la charnière et le pied de nivellement.



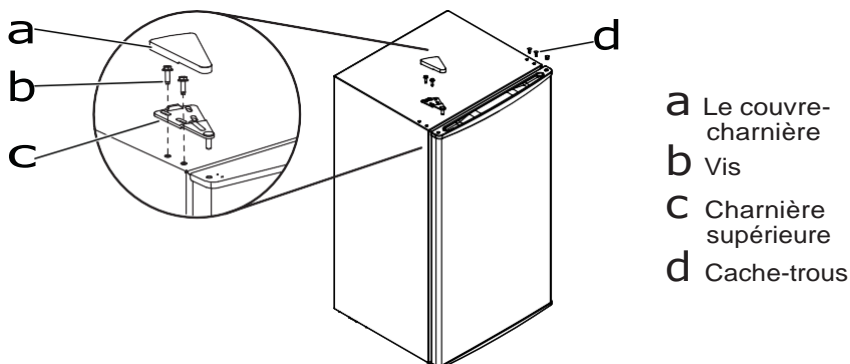
- a** Bottom Hinge
- b** Vis
- c** Pied de réglage

- Dévisser le pied de nivellement situé sur le côté gauche inférieur.
- Installer la charnière inférieure sur le côté gauche du réfrigérateur.
- Installer le pied de nivellement sur le côté droit du réfrigérateur.
- Soulever délicatement la porte du réfrigérateur et la placer sur la charnière inférieure.

Sécurité de réfrigérateur
 Exigences en Fonctionnement
 Pièces et Caractéristiques
 Installation
 Avant utilisation
 Utilisation du réfrigérateur
 Entretien du réfrigérateur
 Dépannage



9. Installer la charnière supérieure sur le côté droit du réfrigérateur.



- a Le couvre-charnière
b Vis
c Charnière supérieure
d Cache-trous

10. Réinstaller le couvre-charnière sur la charnière. Installer les cache-trous pour vis en plastique sur le côté droit du réfrigérateur.

(L'illustration ci-dessus n'est fournie qu'à des fins de référence. La configuration réelle dépendra du produit physique.)

AVANT L'UTILISATION

PÉRIODE D'ATTENTE

- Avant de brancher le réfrigérateur dans la prise électrique à 3 fiches mises à la masse, laissez-le au repos dans sa position verticale pendant environ 2 heures.

REMARQUE : Ceci diminue les risques de défectuosité dans le système de refroidissement dans le cas d'une manutention inappropriée lors du transport.

NETTOYAGE

- Lavez l'intérieur du réfrigérateur à l'aide d'un linge doux et humide et d'une solution de bicarbonate de soude (2 c. à table de bicarbonate de soude dans 1 pinte d'eau tiède).
- Utilisez un linge doux pour essorer toutes les surfaces.

UTILISATION DU RÉFRIGÉRATEUR

GÉNÉRALITÉS

- La durée de vie des aliments surgelés peut varier et la durée recommandée ne doit pas être dépassée.
- Ne PAS mettre de canettes, de bouteilles ou d'autres contenants à liquides scellés dans le congélateur. La congélation du liquide pourrait provoquer une cassure ou une fuite des contenants, ce qui endommagerait le congélateur.



AVERTISSEMENT

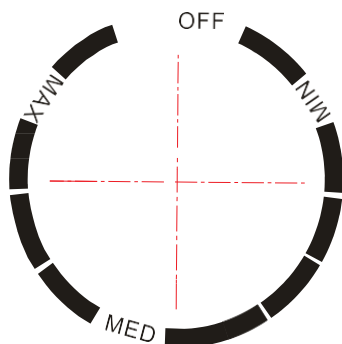
Risque de choc électrique

- Branchez dans une prise à 3 fiches mise à la masse.
 - Ne retirez pas la fiche de mise à la masse sur le cordon d'alimentation.
 - N'utilisez pas d'adaptateur.
 - N'utilisez pas de rallonge.
 - Le non-respect de cette directive peut entraîner la mort, un incendie ou une décharge électrique.
1. Branchez votre réfrigérateur. Attendez 30 minutes, puis ouvrez la porte du réfrigérateur pour voir si ce dernier fonctionne de façon appropriée.
 2. Placez les aliments surgelés dans le réfrigérateur le plus rapidement possible après leur achat. Si on retrouve des directives sur l'emballage, respectez-les attentivement, surtout quant à la durée de conservation.

CONSEILS DE CONSERVATION D'ÉNERGIE

- Laissez les aliments chauds se refroidir à la température de la pièce avant de les placer dans le réfrigérateur. Les aliments mettant du temps à surgeler peuvent se dégrader ou se gâter.
- La surcharge du réfrigérateur fait en sorte que le compresseur fonctionne plus longtemps.
- Emballez les aliments de façon appropriée et essuyez bien les récipients avant de les mettre dans le réfrigérateur. Ceci réduit l'accumulation de givre dans le réfrigérateur.
- Ne placez pas de papier aluminium, de papier ciré ou d'essuie-tout sur les étagères. Ces derniers nuisent à la circulation d'air froid, diminuant le rendement du réfrigérateur.
- Organisez et étiquetez vos aliments afin de diminuer les occasions d'ouverture de porte et la recherche sur une période prolongée. Sortez le plus d'articles possible, puis refermez la porte aussitôt.
- N'ajoutez PAS en même temps de grandes quantités d'aliments non surgelés dans le réfrigérateur. Ceci affectera l'efficacité de refroidissement du réfrigérateur.

COMMANDES



Les commandes sont situées à l'intérieur du réfrigérateur. Tourner les boutons de commande pour régler la température du réfrigérateur. Commencer par placer les commandes sur le réglage moyen (MED).

- Pour abaisser la température du réfrigérateur, tourner le bouton vers MAX.
- Pour augmenter la température du réfrigérateur, tourner le bouton vers MIN.
- Pour éteindre le réfrigérateur, tourner le bouton sur OFF (arrêt). Le réfrigérateur ne refroidira pas lorsque la commande est réglée sur OFF.

ENTRETIEN DU RÉFRIGÉRATEUR

Votre réfrigérateur est conçu pour une utilisation soutenue et n'exige qu'un nettoyage et un entretien minimal. Pour assurer le bon fonctionnement de votre réfrigérateur, libre de toute odeur, nous recommandons un nettoyage régulier.

REMARQUE: Pour obtenir de meilleurs résultats de refroidissement, dépoussiérer et nettoyer l'arrière du réfrigérateur régulièrement.

NETTOYAGE

AVERTISSEMENT

Risque de choc électrique

- Débranchez votre appareil ou coupez l'alimentation avant de procéder au nettoyage.
- Le non-respect de cette directive peut entraîner la mort, une décharge électrique ou des blessures corporelles.

AVERTISSEMENT

Risque d'explosion

- Utilisez un nettoyant non inflammable.
- Le non-respect de cette directive peut entraîner la mort, une explosion ou un incendie.

IMPORTANT : Pour empêcher d'endommager le revêtement, n'utilisez PAS d'essence, de benzène, de diluant ou autre solvant, et n'utilisez PAS de nettoyants abrasifs.

1. Débranchez le réfrigérateur de la prise électrique.
2. Retirez tous les aliments.
3. Retirez et lavez toutes les étagères avec un détergent doux.
4. Lavez l'intérieur du réfrigérateur à l'aide d'un linge doux et humide et d'une solution de bicarbonate de soude (2 c. à table de bicarbonate de soude dans 1 pinte d'eau tiède).
5. Nettoyez le joint d'étanchéité autour de la porte. Essuyez délicatement le joint à l'aide d'un linge humide doux et d'une solution de détergent doux.

REMARQUE : Les joints doivent être propres et flexibles pour assurer une bonne étanchéité.

6. Utilisez un linge doux pour essorer toutes les surfaces.
7. Branchez de nouveau l'appareil.

DÉGIVRAGE

Dégivrer le réfrigérateur au besoin, lorsque la glace du compartiment de congélation devient trop épaisse.

1. Tourner la commande du réfrigérateur sur OFF. Débrancher le réfrigérateur ou couper l'alimentation.
2. Retirer tous les aliments des compartiments de réfrigération et de congélation; les conserver dans une glacière remplie de glace, dans un autre réfrigérateur ou dans un endroit frais.
3. Vérifier que le tuyau de drainage n'est pas obstrué. Utiliser un chiffon doux pour nettoyer le revêtement du réfrigérateur.
4. Placer le bac de récupération sous l'évaporateur, pour récupérer l'eau de la glace fondue. Vider le bac de récupération autant de fois que nécessaire pour éviter un débordement d'eau.
5. Garder la porte du réfrigérateur fermée pendant la fonte de la glace.
6. Il est possible de placer une casserole d'eau chaude dans le congélateur pour accélérer le dégivrage.

7. Utiliser un racloir en plastique pour enlever la glace et le givre. Ne pas utiliser de pic à glace, ou tout autre article métallique ou tranchant, car cela pourrait endommager le réfrigérateur.
8. Une fois la glace fondue, sécher le réfrigérateur avec un chiffon doux.
9. Brancher le réfrigérateur, puis tourner la commande de réglage du froid à la température désirée. Lorsque le réfrigérateur a refroidi, remettre les aliments dans les compartiments de réfrigération et de congélation.

DÉPLACEMENT

IMPORTANT : En déplaçant votre réfrigérateur, n'inclinez PAS ce dernier plus de 45° de la position verticale.

1. Débranchez le réfrigérateur de la prise électrique.
2. Retirez tous les aliments.
3. Fixez du ruban sur tous les articles amovibles à l'intérieur du réfrigérateur.
4. Fixez du ruban sur la porte.

EMPLACEMENT

IMPORTANT : Ne placez pas le réfrigérateur dans un endroit accessible aux enfants.

1. Débranchez le réfrigérateur de la prise électrique.
2. Retirez tous les aliments.
3. Nettoyez le réfrigérateur.
4. Laissez la porte entrouverte pour éviter la formation de condensation, de moisissure ou d'odeurs.

DÉPANNAGE

IMPORTANT : NE TENTEZ PAS de réparer votre réfrigérateur vous-même. Ce faisant, vous annulez votre garantie.

PROBLÈME	CAUSE POSSIBLE	SOLUTION
Le réfrigérateur ne fonctionne pas	Le réfrigérateur est débranché.	Assurez-vous que le cordon d'alimentation soit bien inséré dans la prise électrique.
	Le fusible dans le circuit est brûlé ou le disjoncteur est déclenché.	Vérifiez la boîte à fusible/le disjoncteur et remplacez le fusible ou rétablissez le disjoncteur.
	Panne électrique.	Lors d'une panne électrique, le réfrigérateur se désactive. Attendez le retour du courant.
La porte du réfrigérateur ne se referme pas complètement.	Des emballages obstruent la fermeture de la porte.	Déplacez ou retirez des aliments.
	Les joints d'étanchéité de la porte sont souillés.	Nettoyez les joints d'étanchéité de la porte.
	Le réfrigérateur n'est peut-être pas de niveau.	Mettez le réfrigérateur de niveau.
Les aliments dans le réfrigérateur ne sont pas froids	La porte a été ouverte trop souvent ou est mal fermée.	Assurez-vous que la porte soit fermée de façon appropriée.
	Une grande quantité d'aliments vient d'être ajoutée au réfrigérateur.	Allouez assez de temps pour permettre à ces nouveaux aliments de se refroidir, puis vérifiez de nouveau.
	La porte n'est pas fermée complètement.	Vérifiez le joint d'étanchéité de la porte et la disposition des aliments, et assurez-vous que la porte se referme correctement.
	Le réfrigérateur a été débranché sur une période prolongée.	Allouez 4 heures avant d'ajouter des aliments pour permettre au réfrigérateur de se refroidir.
	Le réglage de la température est trop chaud.	Réglez la température à un niveau plus froid.

PROBLÈME	CAUSE POSSIBLE	SOLUTION
Le réfrigérateur émet des bruits ou des vibrations inhabituels	Le réfrigérateur n'est peut-être pas de niveau.	Réglez les pieds de réglage situés à chaque coin avant du réfrigérateur, jusqu'à ce qu'il soit de niveau.
	Le réfrigérateur touche à un mur.	Éloignez le réfrigérateur du mur.
	Les pièces de métal font l'objet d'une expansion et d'une contraction.	Ceci est normal.
L'humidité s'accumule à l'intérieur du réfrigérateur	Le fluide frigorigène circule dans tout le système.	Ceci est normal.
	La porte a été ouverte trop souvent ou est mal fermée.	Assurez-vous que la porte soit fermée de façon appropriée.
	Le réfrigérateur est situé dans une zone humide.	Déplacez le réfrigérateur dans un endroit plus sec.
Le compresseur s'active et se désactive fréquemment	La température est élevée et humide.	Ceci est normal.
	La température de la pièce est plus élevée qu'en temps normal.	Ceci est normal.
	Une grande quantité d'aliments vient d'être ajoutée au réfrigérateur.	Allouez assez de temps pour permettre à ces nouveaux aliments de se refroidir, puis vérifiez de nouveau.
	La porte n'est pas fermée correctement ou a été ouverte trop souvent.	Vérifiez le joint d'étanchéité de la porte et la disposition des aliments, et assurez-vous que la porte se referme correctement.
Le réfrigérateur a été débranché sur une période prolongée.	Le réfrigérateur a été débranché sur une période prolongée.	Allouez 4 heures avant d'ajouter des aliments pour permettre au réfrigérateur de se refroidir.
	La température n'a pas été réglée correctement.	Réglez la température au niveau approprié.

PROBLÈME	CAUSE POSSIBLE	SOLUTION
Le réfrigérateur dégage une odeur	<p>Le réfrigérateur a besoin d'être nettoyé.</p> <p>Les aliments mal emballés dégagent une odeur.</p>	<p>Nettoyez le réfrigérateur. Consultez "Nettoyage."</p> <p>Emballer les aliments de façon adéquate avant de les placer dans le réfrigérateur.</p>
Le bac de récupération a débordé	<p>Il y a trop d'aliments dans le réfrigérateur, ce qui provoque un dégivrage excessif.</p> <p>Les portes ne ferment pas bien, ce qui laisse entrer l'air chaud dans le réfrigérateur.</p>	<p>Retirer les aliments du réfrigérateur. Vider le bac de récupération plus souvent.</p> <p>S'assurer que les portes ferment complètement. Voir la section "La porte du réfrigérateur ne ferme pas complètement"</p>
Le boîtier du compresseur est chaud	<p>Le boîtier du condenseur intégré est chaud.</p>	<p>Ceci est normal. Fournir une ventilation adéquate pour favoriser le refroidissement.</p>
Il y a de la condensation sur les surfaces extérieures	<p>Le climat est chaud et humide.</p>	<p>Ceci est normal. Utiliser un chiffon doux pour essuyer l'excès d'humidité.</p>

GARANTIE LIMITÉE RÉFRIGÉRATEUR MIDEA

ATTACHEZ VOTRE REÇU AUX PRÉSENTES. UNE PREUVE D'ACHAT EST REQUISE POUR OBTENIR UN SERVICE TECHNIQUE COUVERT PAR LA GARANTIE.

Veillez disposer des renseignements suivants lorsque vous appelez le Centre des services à la clientèle :

- Vos nom, adresse et numéro de téléphone
- Le numéro de modèle et le numéro de série de votre appareil
- Une description claire et détaillée du problème
- Une preuve d'achat, notamment le nom et l'adresse du concessionnaire ou du détaillant

SI VOUS AVEZ BESOIN D'UN SERVICE TECHNIQUE :

1. Avant de communiquer avec nous pour organiser un service technique, déterminez si votre produit doit être réparé. Quelques problèmes peuvent être résolus sans service technique. Prenez quelques minutes pour revoir la section du Diagnostic de pannes du guide de l'utilisateur, ou consultez <http://us.Midea.com/support>.
2. Tout service technique couvert par la garantie est assuré exclusivement par nos prestataires de service technique Midea autorisés, aux États-Unis et au Canada.

Services à la clientèle Midea

Aux États-Unis ou au Canada, appelez le 1-866-646-4332.

Si vous résidez hors des 50 États des États-Unis ou hors du Canada, communiquez avec votre concessionnaire Midea autorisé pour déterminer si une autre garantie s'applique.

1 AN PIÈCES ET SERVICE

CE QUE LA GARANTIE COUVRE

GARANTIE LIMITÉE POUR LA PREMIÈRE ANNÉE (PIÈCES ET MAIN-D'ŒUVRE)

Midea réparera ou remplacera, sans frais, toute défaillance provoquée par une fabrication ou des matériaux défectueux, pendant un an à compter de la date d'achat. Pour de plus amples renseignements sur la couverture de la garantie et les réparations sous garantie, visitez www.midea.com ou composez **1 866 646-4332**.

Le consommateur sera responsable des :

- Coûts associés aux diagnostics, à la dépose, au transport et à la réinstallation suite à l'entretien.
- Coûts d'entretien résultant des points figurant sous **RESPONSABILITÉS NORMALES DU CONSOMMATEUR****

RESPONSABILITÉS NORMALES DU CONSOMMATEUR**

Cette garantie s'applique uniquement aux produits faisant l'objet d'une utilisation résidentielle normale, et le consommateur est responsable des points suivants :

1. Utilisation appropriée de l'appareil, respectant les directives fournies avec le produit.
2. Entretien périodique et nettoyage requis pour maintenir l'appareil en bon état de fonctionnement.
3. Installation appropriée par un professionnel agréé, respectant les directives fournies avec l'appareil et les codes municipaux en matière de plomberie, électricité et/ou gaz.
4. Branchement approprié à une prise électrique mise à la masse, fournissant un courant suffisant; remplacement des fusibles brûlés; réparation des connexions desserrées ou des défauts au niveau des installations électriques.
5. Dépenses requises pour rendre l'appareil accessible pour l'entretien.
6. Dommages sur le revêtement suite à l'installation.

VOTRE REMÈDE UNIQUE ET EXCLUSIF EN VERTU DE LA PRÉSENTE GARANTIE LIMITÉE EST LA RÉPARATION OU LE REMPLACEMENT DU PRODUIT, COMME PRÉVU AUX PRÉSENTES. Le service technique doit être assuré par une entreprise d'entretien désignée par Midea. La garantie limitée est valide uniquement dans les 50 États des États-Unis ou au Canada et s'applique uniquement si l'appareil ménager est utilisé dans le pays où il a été acheté. La présente garantie limitée entre en vigueur à compter de la date de l'achat original de l'appareil ménager par le consommateur. Une preuve de la date de l'achat original doit être présentée pour obtenir un service technique en vertu de la présente garantie limitée.

CE QUE LA GARANTIE NE COUVRE PAS

1. Une défectuosité causée par un dommage survenu depuis que l'appareil est en votre possession (autre que les dommages causés par un défaut ou un mauvais fonctionnement), par une installation inadéquate, ou par une utilisation non raisonnable du produit, incluant et sans s'y limiter, le défaut d'assurer un entretien raisonnable et nécessaire ou de suivre les directives écrites et de lire le manuel d'instructions.
2. Les produits achetés "tels quels" ou les produits réusinés ne sont pas couverts par cette garantie.
3. La perte de nourriture suite à une défectuosité du réfrigérateur ou du congélateur.
4. Les visites d'entretien pour réparer ou remplacer les pièces consommables comme les filtres hydrauliques, les ampoules, les filtres pneumatiques, etc., ou les poignées, les boutons ou autres pièces cosmétiques.
5. Les produits ayant été transférés de leur propriétaire original.
6. La rouille à l'extérieur ou à l'intérieur de l'unité.
7. Les dommages causés par l'entretien effectué par une personne autre qu'un professionnel agréé Midea; l'utilisation de pièces autres que les pièces de rechange Midea ou obtenues par des personnes autres que le service à la clientèle Midea; les causes externes comme l'abus, la mauvaise utilisation, l'alimentation inadéquate ou tout événement de force majeure.
8. L'entretien résultant d'une installation inappropriée de votre produit.
9. La visite servant à vous enseigner l'utilisation de votre produit.
10. Les suppléments, incluant, mais sans s'y limiter, tout appel de service après les heures normales, les week-ends ou les jours fériés, les péages, les frais de transport, le kilométrage pour tout appel de service dans une région éloignée, y compris en Alaska.
11. Si cette unité est utilisée pour des raisons commerciales, locatives ou autre application qui n'est pas vouée à une utilisation résidentielle, nous ne formulons aucune garantie, explicite ou implicite de valeur marchande ou d'adéquation à un usage particulier.
12. Si le produit a été déplacé hors des États-Unis ou du Canada.
13. Si le produit n'affiche pas le numéro de série original ou si ce dernier a été altéré ou ne peut être facilement reconnu.

REMARQUE : Certains états n'acceptent pas l'exclusion ou la restriction des dommages indirects ou accessoires. Ainsi, cette exclusion ou restriction pourrait ne pas s'appliquer à vous.

Dans ces circonstances exclues, le coût des réparations ou du remplacement du produit sera assumé par le client.

DÉNÉGATION DE GARANTIES IMPLICITES

LES GARANTIES IMPLICITES, Y COMPRIS TOUTE GARANTIE IMPLICITE DE QUALITÉ MARCHANDE OU GARANTIE IMPLICITE D'APTITUDE À UN EMPLOI PARTICULIER, SONT LIMITÉES À UNE PÉRIODE D'UN AN OU À LA PÉRIODE LA PLUS COURTE PERMISE PAR LA LOI. Quelques états et provinces ne permettent pas l'imposition d'une limite à la durée des garanties implicites de qualité marchande ou d'aptitude à l'emploi et, par conséquent, il est possible que cette limitation ne vous concerne pas. La présente garantie vous confère certains droits légaux. Vous pouvez également jouir d'autres droits, lesquels varient d'un état à l'autre ou d'une province à l'autre.

DÉNÉGATION DE DÉCLARATIONS NE RELEVANT PAS DE LA GARANTIE

Midea ne fait aucune déclaration concernant la qualité ou la durabilité de cet appareil ménager, ni son besoin de service technique ou de réparation, à part les déclarations formulées dans la présente garantie. Si vous souhaitez une garantie plus longue ou plus complète que la garantie limitée qui accompagne cet appareil ménager, veuillez communiquer avec Midea ou votre détaillant au sujet de l'achat d'une prolongation de garantie.

LIMITATION DES REMÈDES; EXCLUSION DES DOMMAGES ACCESSOIRES ET DES DOMMAGES INDIRECTS

VOTRE REMÈDE UNIQUE ET EXCLUSIF EN VERTU DE LA PRÉSENTE GARANTIE LIMITÉE EST LA RÉPARATION DU PRODUIT PAR MIDEA, COMME PRÉVU AUX PRÉSENTES. MIDEA N'EST PAS RESPONSABLE DES DOMMAGES ACCESSOIRES ET INDIRECTS. Quelques états et provinces ne permettent pas l'exclusion ou la limitation de dommages accessoires ou indirects et, par conséquent, il est possible que ces limitations et ces exclusions ne vous concernent pas. La présente garantie vous confère certains droits légaux. Vous pouvez également jouir d'autres droits, lesquels varient d'un état à l'autre ou d'une province à l'autre.



Make yourself at home