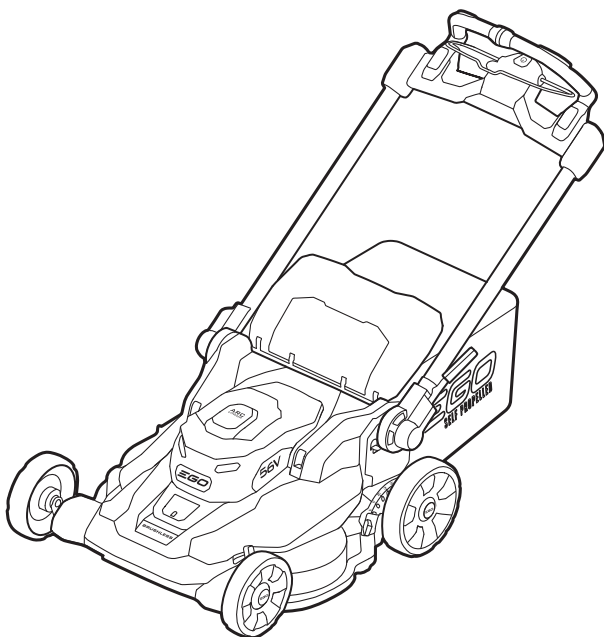


EGO™

POWER⁺ MOWER™



OPERATOR'S MANUAL

56-VOLT LITHIUM-ION

CORDLESS 30"

LAWN MOWER

MODEL NUMBER LM3000SP/LM3000SP-FC

Français p. 50

Español p. 103

⚠ WARNING: To reduce the risk of injury, the user must read and understand the Operator's Manual before using this product. Save these instructions for future reference.

READ ALL INSTRUCTIONS!



READ & UNDERSTAND
OPERATOR'S MANUAL

TABLE OF CONTENTS

Safety Symbols	3
Symbols	4-5
Lawnmower Safety Warnings	6-10
Additional Rules for Lawnmower	10-12
Introduction	12
Specifications	13-14
Recommended Accessories	14
Description	15-19
Assembly	20-26
Operation	27-37
Maintenance	38-44
Troubleshooting	45-47
EGO Limited Warranty	48-49

SAFETY SYMBOLS

The purpose of safety symbols is to attract your attention to possible dangers. The safety symbols and the explanations with them deserve your careful attention and understanding. The symbol warnings do not, by themselves, eliminate any danger. The instructions and warnings they give are no substitutes for proper accident prevention measures.

⚠ WARNING Be sure to read and understand all safety instructions in this Operator’s Manual, including all safety alert symbols such as “**DANGER**”, “**WARNING**”, and “**CAUTION**” before using this machine. Failure to follow all instructions listed below may result in electric shock, fire, and/or serious personal injury.

The definitions below describe the level of severity for each signal word. Please read the manual and pay attention to these symbols.

	This is the safety alert symbol. It is used to alert you to potential personal injury hazards. Obey all safety messages that follow this symbol to avoid possible injury or death.
⚠ DANGER	DANGER indicates a hazardous situation which, if not avoided, will result in death or serious injury.
⚠ WARNING	WARNING indicates a hazardous situation which, if not avoided, could result in death or serious injury.
⚠ CAUTION	CAUTION, used with the safety alert symbol, indicates a hazardous situation which, if not avoided, will result in minor or moderate injury.

DAMAGE PREVENTION AND INFORMATION MESSAGES




These inform the user of important information and/or instructions that could lead to equipment or other property damage if they are not followed. Each message is preceded by the word “**NOTICE**”, as in the example below:

NOTICE Equipment and/or property damage may result if these instructions are not followed.

SYMBOLS

This page depicts and describes safety symbols that may appear on this product. Read, understand, and follow all instructions on the machine before attempting to assemble and operate.

	Safety Alert	Indicates a potential personal injury hazard.
	Wear Ear Protection	Always wear sound barriers (ear plugs or ear mufflers) to protect your hearing.
	Read & Understand Operator's Manual	To reduce the risk of injury, user must read and understand operator's manual before using this product.
	WARNING – Keep Hands and Feet Away From the Blades	Alerts users to keep hands and feet away from the blades.
	WARNING – Disconnect Battery Before Maintenance	Alerts users to disconnect battery before maintenance.
	DANGER — Keep Hands and Feet Away	Alerts users to keep hands and feet away.
	WARNING –Beware of Thrown Objects – Keep Bystanders Away	Alerts users to beware of thrown objects – keep bystanders away.
	DANGER — Steep Slope Hazard	Use extra caution on slopes. Do not mow slopes greater than 15 degrees.

	Bluetooth®	Bluetooth® Symbol
	Ingestion Hazard	This product contains a button cell or coin battery.
IP...	Ingress Protection (IP) Rating	Classifies the degree of protection provided by an enclosure, for electrical equipment
V	Volt	Voltage
	Direct Current (DC)	Type or a characteristic of current
mm	Millimeter	Length or size
in.	Inch	Length or size
kg	Kilogram	Weight
lb	Pound	Weight
L	Liter	Volume
bu	Bushel	Volume
min	Minutes	Time
n_0	No Load Speed	Rotational speed, at no load
RPM	Revolutions Per Minute	Rotational speed
°C	Degrees Celsius	Temperature
°F	Degrees Fahrenheit	Temperature

⚠ WARNING To ensure safety and reliability, all repairs should be performed by a qualified service technician.

LAWNMOWER SAFETY WARNINGS

⚠ WARNING Read all safety warnings, instructions, illustrations, and specifications provided with this lawnmower. Failure to follow all instructions listed below may result in electric shock, fire, and/or serious injury.

Save all warnings and instructions for future reference.

WORK AREA SAFETY

- **To avoid bystander contact with the moving blade(s) or a thrown object injury, keep the area of operation clear of all bystanders, particularly small children. Stop the lawnmower and any attachment(s) if anyone enters the area.** Contact with the moving blade(s) or thrown objects may result in serious personal injury or death.
- **Only operate the lawnmower in daylight or sufficiently bright artificial light.** Dark areas invite accidents.
- **Do not operate lawnmowers in explosive atmospheres, such as in the presence of flammable liquids, gases, or dust.** Lawnmowers create sparks which may ignite the dust or fumes.
- **Do not use the lawnmower in bad weather conditions, especially when there is a risk of lightning.** This decreases the risk of being struck by lightning.
- **Thoroughly inspect the area where the lawnmower is to be used and remove all stones, sticks, wires, bones, and other foreign objects.** Thrown objects can cause personal injury.

ELECTRICAL SAFETY

- **Do not operate the lawnmower in rain or wet conditions.** Water entering a lawnmower may increase the risk of electric shock.

PERSONAL SAFETY

- **Use personal protective equipment. Always wear eye protection.** Protective equipment will reduce personal injuries.
- **Dress properly. Do not wear loose clothing or jewelry. Keep your hair and clothing away from moving parts.** Loose clothes, jewelry, or long hair can be caught in moving parts.

- **While operating the lawnmower, always wear long trousers.** Exposed skin increases the likelihood of injury from thrown objects.
- **While operating the lawnmower, always wear non-slip and protective footwear. Do not operate the lawnmower when barefoot or wearing open sandals.** This reduces the chance of injury to the feet from contact with the moving blade(s).
- **Prevent unintentional starting. Ensure the switch is in the off-position before connecting to power source and/or batteries, picking up or carrying the lawnmower.** Carrying a lawnmower with your finger on the switch or energizing a lawnmower that has the switch on invites accidents.
- **Remove any adjusting key or wrench before turning the lawnmower on.** A wrench or a key left attached to a rotating part of the lawnmower may result in personal injury.
- **Keep proper footing and balance at all times.** This enables better control of the lawnmower in unexpected situations.
- **Stay alert, watch what you are doing, and use common sense when operating a lawnmower. Do not use a lawnmower while you are tired or under the influence of drugs, alcohol, or medication.** A moment of inattention while operating a lawnmower may result in serious personal injury.
- **Do not let familiarity gained from frequent use of lawnmower allow you to become complacent and ignore lawnmower safety principles.** A careless action can cause severe injury within a fraction of a second.
- **To avoid operator blade contact or a thrown object injury, stay in the operator zone behind the lawnmower handles.** Blade contact or thrown objects may result in serious personal injury.
- **Do not touch blades and other hazardous moving parts while they are still in motion.** This reduces the risk of injury from moving parts.

LAWNMOWER USE AND CARE

- **Use the lawnmower and accessories in accordance with these instructions, taking into account the working conditions and the work to be performed.** Use of the lawnmower for operations different from those intended may result in a hazardous situation.
- **Before using the lawnmower, always visually inspect to see that the blade(s) and the blade(s) assembly are properly secured and not worn or damaged.** Loose, worn, or damaged parts may increase the risk of injury.

- **Keep guards and other safety devices in place, properly mounted, and in working order.** A guard or other safety device that is loose, damaged, or is not functioning correctly may result in personal injury.
- **Keep all cooling air inlets clear of debris.** Blocked air inlets and debris may result in overheating or risk of fire.
- **Do not use the lawnmower if the switch does not turn it on and off.** Any lawnmower that cannot be controlled with the switch is dangerous and must be repaired.
- **Do not operate the lawnmower in wet grass. Walk, never run.** This reduces the risk of slipping and falling which may result in personal injury.
- **Do not operate the lawnmower on excessively steep slopes.** This reduces the risk of loss of control, slipping, and falling which may result in personal injury.
- **Do not force the lawnmower. Use the correct lawnmower for your application.** The correct lawnmower will do the job better and safer at the rate for which it was designed.
- **Be aware of the mower and attachment discharge direction and do not point the mower discharge at anyone.** Thrown objects can cause personal injury.
- **Use extreme caution when reversing or pulling the lawnmower towards you. Always be aware of your surroundings.** This reduces the risk of tripping during operation.
- **When working on slopes, always be sure of your footing, always work across the face of slopes, never up or down, and exercise extreme caution when changing direction.** This reduces the risk of loss of control, slipping, and falling which may result in personal injury.
- **Operate the disabling device and/or remove all battery packs, if removable, from the lawnmower before making any adjustments, changing accessories, or storing the lawnmower.** Such preventive safety measures reduce the risk of starting the lawnmower accidentally.
- **Keep handles and grasping surfaces dry, clean, and free from oil and grease.** Slippery handles and grasping surfaces do not allow for safe handling and control of the lawnmower in unexpected situations.
- **Check the grass catcher frequently for wear or deterioration.** A worn or damaged grass catcher may increase the risk of personal injury.
- **Before removing the grass catcher, turn off the motor and wait until the blade(s) comes to a complete stop. The cutting blade(s) continues to rotate after the blade control is released. Never place any part of the body in the blade(s) area until you are certain the motor is off and the blade(s) has**

stopped rotating. Contact with the moving cutting blade(s) may result in serious personal injury.

- **Before unlogging the chute, turn off the motor, wait until the blade(s) comes to a complete stop, operate the disabling device, and/or remove all batteries, if removable.** The cutting blade(s) continues to rotate after the blade control is released. Never place any part of the body in the blade(s) area until you are certain the motor is off and the blade(s) has stopped rotating. Contact with the moving cutting blade(s) may result in serious personal injury.
- **Before cleaning or inspecting the lawnmower, turn off the motor, wait until the blade(s) comes to a complete stop, operate the disabling device, and/or remove all batteries, if removable.** Accidental contact with the moving blade(s) and moving parts may result in personal injury.
- **Maintain the lawnmower and accessories. Check for misalignment or binding of moving parts, breakage of parts, and any other condition that may affect the lawnmower's operation. If damaged, have the lawnmower repaired before use.** Many accidents are caused by poorly maintained lawnmowers.
- **Store idle lawnmowers out of the reach of children and do not allow persons unfamiliar with the lawnmower or these instructions to operate the lawnmower.** Lawnmowers are dangerous in the hands of untrained users.

BATTERY LAWNMOWER USE AND CARE

- **Use lawnmowers only with specifically designated battery packs.** Use of any other battery packs may create a risk of injury and fire.
- **Recharge only with the charger specified by the manufacturer.** A charger that is suitable for one type of battery pack(s) may create a risk of fire when used with another battery pack(s).
- **Follow all charging instructions and do not charge the battery pack(s) or lawnmower outside the temperature range specified in the instructions.** Charging improperly or at temperatures outside the specified range may damage the battery and increase the risk of fire.
- **Do not use a battery pack or lawnmower that is damaged or modified.** Damaged or modified batteries may exhibit unpredictable behavior resulting in fire, explosion, or risk of injury.
- **Do not expose a battery pack(s) or lawnmower to fire or excessive temperature.** Exposure to fire or temperature above 265 °F (130 °C) may cause explosion.

- **Under abusive conditions, liquid may be ejected from the battery(ies); avoid contact. If contact accidentally occurs, flush with water.** If liquid contacts eyes, additionally seek medical help. Liquid ejected from the battery(ies) may cause irritation or burns.
- **When battery packs are not in use, keep them away from other metal objects, like paper clips, coins, keys, nails, screws, or other small metal objects that can make a connection from one terminal to another.** Shorting the battery terminals together may cause burns or a fire.

SERVICE

- **Have your lawnmower serviced by a qualified repair person using only identical replacement parts. This will ensure that the safety of the lawnmower is maintained.** Use of parts which do not meet the original equipment specifications may lead to improper performance and compromise safety.
- **Never service damaged battery packs.** Service of battery packs should only be performed by the manufacturer or authorized service providers.

ADDITIONAL RULES FOR LAWNMOWER

- The user is responsible for accidents or hazards occurring to other people or their property.
- Be familiar with the controls and the proper use of the machine.
- Before using, always visually inspect to see that the blades and blade bolts are not worn or damaged. Replace worn or damaged blades and bolts in sets to preserve balance.
- Keep all nuts, bolts, and screws tight to be sure the product is in safe working condition.
- Check the functioning of the machine before each use and, in case of a defect, have it repaired immediately by a qualified service technician; never open the machine yourself.
- Never operate the machine with a defective rear guard or defective grass catcher.
- When operating the machine without a grass catcher, ensure that the rear guard is in closed position (risk of injury caused by rotating cutting blades).

- Always switch off the machine, remove battery pack(s), and ensure that all moving parts have come to a complete standstill:
 - whenever leaving the machine unattended.
 - before clearing jammed material.
 - before checking, cleaning, or working on the machine.
 - after striking a foreign object. Then inspect the machine for damage and make repairs before restarting and operating the machine.
 - if the machine starts to vibrate abnormally. Then immediately inspect for damage, replace or repair any damaged parts, and check for and tighten any loose parts.
- Always keep hands and feet away from rotating parts.
- Keep away from the discharge opening at all times.
- Switch on the motor according to instructions and with feet well away from the cutting blades.
- Never mow in the direct vicinity of people (especially children) and animals.
- Stop the cutting blades if the product has to be tilted for transportation when crossing surfaces other than grass, and when transporting the product to and from the area to be used.
- Do not tilt the product when switching on the motor, except if the product has to be tilted for starting. In this case, do not tilt it more than absolutely necessary and lift only the part which is away from the operator.
- While making adjustments to the product, be careful to prevent entrapment of fingers between the moving blades and fixed parts.
- Always allow the machine to cool down before storing.
- When servicing the blades, be aware that even though the power source is switched off, the blade can still be moved.
- Check for blockage of the cutting blades, and keep the cutting blades and mower deck clean. Remove grass clippings, leaves, dirt, and any other accumulated debris before and after each use.
- When blockage occurs, stop the mower and remove the battery pack(s). Then remove any buildup of grass and leaves on or around the drive shaft and motor fan (do not use water). Wipe the mower clean with a damp cloth.
- Empty the grass bag before storage.

- Never use the machine when the handle cord is damaged. Have it replaced by a qualified person.
- Clean and perform any maintenance on the mower before storage.
- Use lawnmowers only with specifically designated battery packs. Use of any other battery packs may create a risk of injury and fire.

BATTERY PACK	CHARGER
BA1400, BA1400-FC, BA2800, BA2800-FC, BA4200, BA4200-FC, BA1400T, BA1400T-FC, BA2242T, BA2242T-FC, BA2800T, BA2800T-FC, BA3360T, BA3360T-FC, BA4200T, BA4200T-FC, BA4480T, BA4480T-FC, BA5600T, BA5600T-FC, BA6720T, BA6720T-FC	CH2100, CH2100-FC, CH3200, CH3200-FC, CH5500, CH5500-FC, CH2800D, CH2800D-FC, CH7000, CH7000-FC, CH7000T, CH7000T-FC

COIN BATTERY

- The product contains non-replaceable batteries.
- Remove and immediately recycle or dispose of used batteries according to local regulations and keep away from children. Do NOT dispose of batteries in household trash or incinerate.
- Even used batteries may cause severe injury or death.
- Call a local poison control center for treatment information.
- Type of the coin battery: ICB1250 E6
- Nominal voltage of coin battery: 3.85V
- Non-rechargeable batteries are not to be recharged.
- Do not force discharge, recharge, disassemble, heat above 140 °F (60 °C) or incinerate. Doing so may result in injury due to venting, leakage, or explosion resulting in chemical burns.

⚠ WARNING

- **INGESTION HAZARD:** This product contains a button cell or coin battery.
- **DEATH** or serious injury can occur if ingested.
- A swallowed button cell or coin battery can cause **Internal Chemical Burns** in as little as **2 hours**.
- **KEEP** new and used batteries **OUT OF REACH of CHILDREN**
- **SEEK immediate medical attention** if a battery is suspected to be swallowed or inserted inside any part of the body.



INTRODUCTION

Congratulations on your selection of a new generation of 56V lithium-ion powered lawn mower. It has been designed, engineered, and manufactured to give you the best possible dependability and performance.

Should you experience any problem you cannot easily remedy, **please contact EGO Customer Service 1-855-EGO-5656.**


This manual contains important information on the safe assembly, operation, and maintenance of your mower. Read it carefully before using the mower. Keep this manual handy so you can refer to it at any time.

SERIAL NUMBER _____ DATE OF PURCHASE _____

THE MODEL AND SERIAL NUMBERS WILL BE FOUND ON A LABEL ATTACHED ON THE REAR DISCHARGE DOOR.

YOU SHOULD RECORD BOTH SERIAL NUMBER AND DATE OF PURCHASE AND KEEP IN A SAFE PLACE FOR FUTURE REFERENCE

SPECIFICATIONS

Voltage	56 V 
Blade Speed Mode	TURBO
	2
	1
Approximate Cutting-height Setting(9 positions)	1 in. (25 mm) 1-1/4 in. (33 mm) 1-3/4 in. (44 mm) 2-1/2 in. (58 mm) 3 in. (72 mm) 3-1/2 in. (86 mm) 4 in. (101 mm) 4-1/2 in. (114 mm) 5 in. (125 mm)
Deck Size	30.8 in. (782 mm)

Grass Bag Volume	2.5 bu (90 L)
Ingress Protection Rating	IPX4* (Protected from splashing water)
Mower Weight (Without battery pack; with mulching insert)	103.6 lbs (47 kg)
Approximate Runtime with EGO 2x6 Ah Battery Packs	75 min (Mode 1)
Recommended Operating Temperature	32 °F – 104 °F (0 °C – 40 °C)
Recommended Storage Temperature	-4 °F – 158 °F (-20 °C – 70 °C)

* **NOTE:** IPX4 rating is based on the machine and battery being used together as a system.

NOTICE Please refer to the battery pack and charger manuals for detailed safety and operating instructions.

NOTE: The actual runtime will vary with grass condition: species, density, moisture, etc.

Tips on Maximizing the Runtime

To get more out of your EGO mower, please follow these rules:

- Cut no more than 1.5 in. (38 mm) of grass in one pass.
- Move the mower at a moderate pace.
- Do not cut wet grass.
- Make sure the blades are sharp.
- Make sure that the underside of the deck is clean.

RECOMMENDED ACCESSORIES

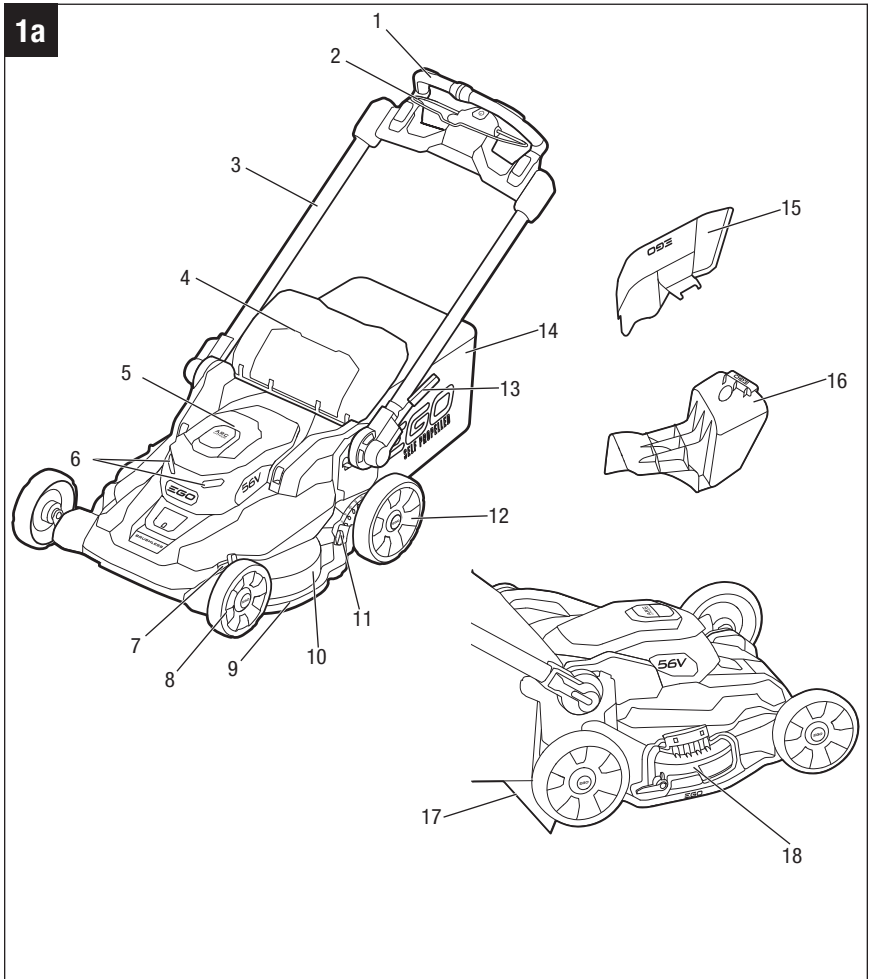
⚠ WARNING The following parts are subject to be worn out from normal use. Use only identical EGO replacement parts listed below. Use of parts that do not meet the original equipment specifications may lead to improper performance and compromised safety.

PART NAME	MODEL NUMBER
Blade Set	AB3000D

DESCRIPTION

KNOW YOUR LAWN MOWER (Fig. 1a & 1b)

The safe use of this product requires an understanding of the information on the machine and in this operator's manual, as well as knowledge of the project you are attempting. Before using this product, familiarize yourself with all operating features and safety rules.



1. Handle
2. Bail Switch (Switch Lever)
3. Side Rail
4. Rear-discharge Door
5. Battery Compartment Cover
6. LED Headlights
7. Front Cutting-height Adjustment Lever
8. Front Wheel
9. Side Bumper
10. Deck
11. Rear Cutting-height Adjustment Lever
12. Rear Wheel
13. Quick-adjust Lever
14. Grass Bag
15. Side-discharge Chute
16. Mulching Insert
17. Trailing Shield
18. Side-discharge Door
19. Self-propel Trigger
20. Self-propel Speed Dial
21. LED Headlights Button (Bluetooth® Button)
22. Power Button
23. Blade Speed Mode Button
24. Bluetooth® Indicator
25. Mower Status Indicator
26. Blade Speed Indicator

POWER BUTTON

- When pressed briefly, the mower status indicator and the default blade speed indicator (model 2) will light up.
- The power button must be pressed before the motor can be started.

BAIL SWITCH

The bail switch turns the blade motor ON and OFF.

SELF-PROPEL TRIGGER

Turns the self-propel function ON and OFF.

SELF-PROPEL SPEED DIAL

Increases or decreases the self-propel speed.

BLADE SPEED MODE BUTTON

Allows the user to select the blade speed mode, depending on grass conditions.

TRAILING SHIELD

Designed to reduce the risk of injury from thrown objects and/or blade contact.

SIDE-DISCHARGE CHUTE

Guides clippings toward the right of the mower.

MULCHING INSERT

For mulching the grass.

QUICK-ADJUST LEVER

Locks/unlocks the handle position when adjusting the angle of the mower handle:

1. Locked Storage Position
2. Upper Operating Position
3. Middle Operating Position
4. Lower Operating Position

LED HEADLIGHTS

The LED headlights are located on the front of the mower and provide illumination for increased visibility.

FRONT/REAR CUTTING-HEIGHT ADJUSTMENT LEVERS

Allow you to adjust the cutting height of the front and the rear of the mower individually.

BLUETOOTH® INDICATOR

Indicates the Bluetooth® connection status.

NOTE: The Bluetooth® word mark and logos are registered trademarks owned by Bluetooth SIG, inc. and any use of such marks by EGO is under license.

ASSEMBLY

⚠ WARNING To prevent accidental starting that could cause serious personal injury, always remove the battery pack(s) from the machine when assembling parts.

⚠ WARNING Do not attempt to modify this machine or create accessories not recommended for use with this mower. Any such alteration or modification is misuse and could result in a hazardous condition leading to serious injury.

UNPACKING

- Remove all the accessories from the carton.

⚠ CAUTION Heavy object. Two people are required to lift the mower.

- One person should grasp the front of the mower and the other person should grasp the folded handle to carefully lift the mower out of the carton.
- Make sure that all items listed in the "**PACKING LIST**" are included.
- Inspect the product carefully to make sure that no breakage or damage occurred during shipping.
- Do not discard the packing material until you have carefully inspected and successfully operated the mower.
- If any parts are damaged or missing, please return the mower to the place of purchase.

PACKING LIST

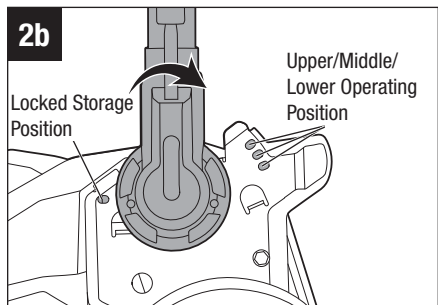
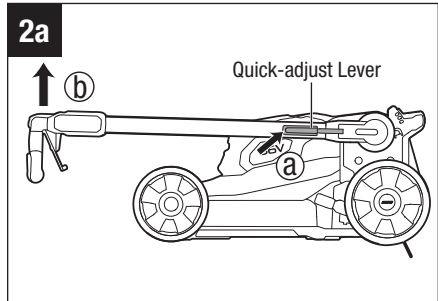
PART NAME	QUANTITY
Lawn Mower	1
Grass Bag	1
Grass-bag Frame	1
Mulching Insert (factory-installed in the mower)	1
Side-discharge Chute	1
Operator's Manual	1

ADJUSTING THE FOLDABLE HANDLE

⚠ WARNING Do not attempt to start the mower or self-propel function until the handle has been locked in one of the three preset operating positions (UPPER OPERATING POSITION, MIDDLE OPERATING POSITION, or LOWER OPERATING POSITION).

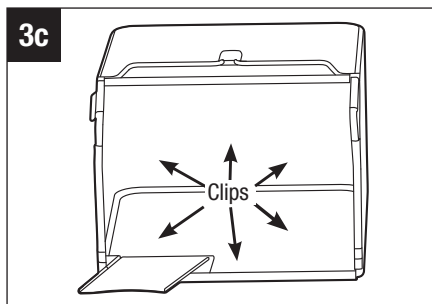
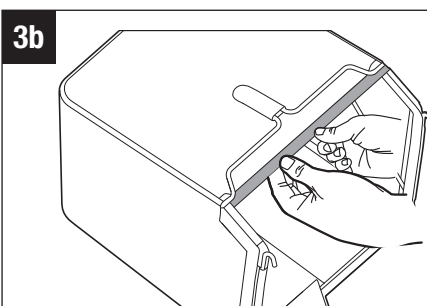
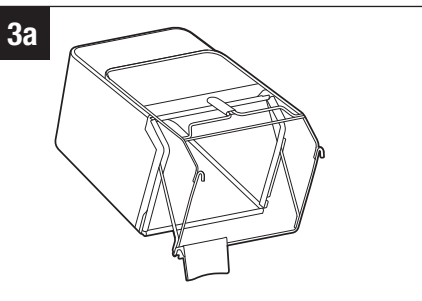
Your mower is shipped with the handle in the compact, locked storage position (Fig. 2a).

1. Press and hold the quick-adjust lever (a) to release the handle from the locked storage position (Fig. 2a).
2. Lift the handle from its folded position (b), then release the lever. Gently pivot the handle upward until you hear and feel the lock pin engage in one of the three different positions as shown in the Fig. 2b.



ASSEMBLING THE GRASS BAG

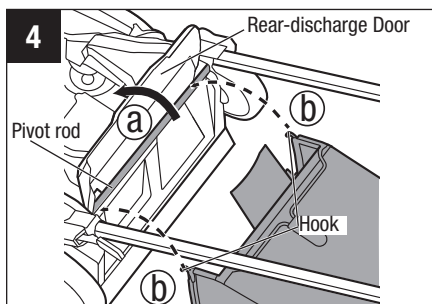
1. Check the grass bag before assembling, to make sure that there is no damage.
2. Slide the grass bag onto the frame, as shown in Fig. 3a.
3. Assemble the top clip to the frame, as shown in Fig. 3b, then assemble the two side clips. Assemble the bottom clip last.
4. The fully assembled grass bag is shown in Fig. 3c.



ATTACHING/REMOVING THE GRASS BAG (FIG. 4)

Use the grass bag when you want to collect grass and leaf clippings from the lawn.

⚠ WARNING Remove the mulching insert (factory-installed) and side-discharge chute before attaching the grass bag to the mower.



1. Switch off the mower and wait for the cutting blades to come to a complete stop.
2. Remove the battery packs.
3. Position the mower on a level surface.
4. Lift the rear-discharge door (a).
5. **REMOVE THE MULCHING INSERT (FACTORY-INSTALLED)** and the side-discharge chute.
6. First insert the steel plate of the grass bag into the mower, then hook the grass bag on the pivot rod (b). Release the rear-discharge door so that it rests on the grass bag.
7. **To remove the grass bag**, lift the rear-discharge door on the mower. Lift the grass bag up and off of the pivot rod.
8. Release the rear-discharge door.

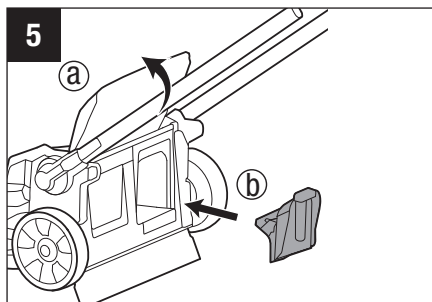
⚠ WARNING When using the grass bag, never operate the mower unless the two hooks on the grass bag are firmly seated on the pivot rod and the rear-discharge door rests firmly against the top of the grass bag.

⚠ WARNING Under normal usage, the grass bag material is subject to wear. To reduce the risk of injury, frequently inspect the grass bag and replace the bag if there are any signs of wear or deterioration. Only use grass bags manufactured for this mower.

ATTACHING/REMOVING THE MULCHING INSERT (FIG. 5)

Use the mulching insert for recycling grass and leaf clippings back into the lawn.

⚠ DANGER The machine can throw grass clippings and other objects through an opening in the machine housing. Objects thrown with enough force could cause serious personal injury or death to you or to bystanders.

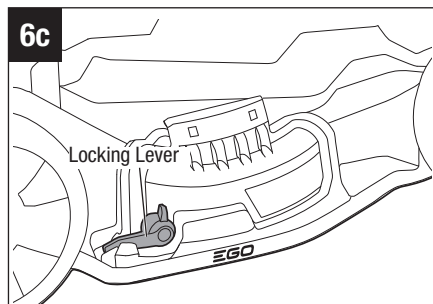
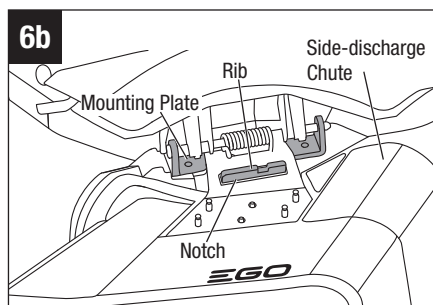
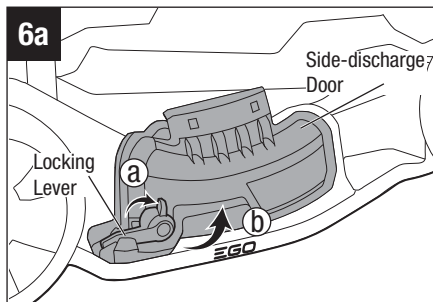


1. Switch off the mower.
2. Remove the battery packs.
3. Position the mower on a level surface.
4. Remove the grass bag and the side-discharge chute.
5. Lift the rear-discharge door(a).
6. Grasp the handle of the mulching insert and fully insert it into the mower(b), so that it is secured in place.
7. Release the rear-discharge door and make sure it rests firmly against the mulching insert.
8. **To remove the mulching insert**, lift the rear-discharge door, grasp the handle of the mulching insert, and pull it out.
9. Release the rear-discharge door.

ATTACHING/REMOVING THE SIDE-DISCHARGE CHUTE (FIG. 6a-6c)

Use the side-discharge chute for cutting very tall grass.

1. Switch off the mower.
2. Remove the battery pack(s).
3. Position the mower on a level surface.
4. Lift the rear-discharge door.
5. Remove the grass bag, attach the mulching insert, and release the rear-discharge door.
6. Press and hold the locking lever(a) of the side-discharge door so that the lever is raised, and then lift the side-discharge door(b).
7. Install the notch of the side-discharge chute onto the rib of the mounting plate. Check to see that it is secured in place.
8. **To remove the side-discharge chute**, lift the side-discharge door, lift the side-discharge chute up and pull it out.



10. Release the side-discharge door so that it closes and lower the locking lever back to its original position, ensuring that the side-discharge door is locked.

⚠ WARNING Ensure the mulching insert is in place before attaching the side-discharge chute.

CUTTING-HEIGHT ADJUSTMENT (FIG. 7a & 7b)

⚠ WARNING Keep your feet away from the deck when adjusting the cutting height.

The mower can be set to 9 different cutting heights between 1–5 inches (25–125 mm). A marking next to each cutting height measurement indicates the selected cutting height.

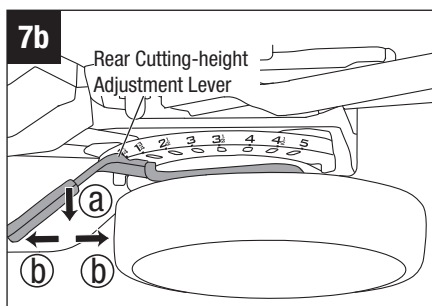
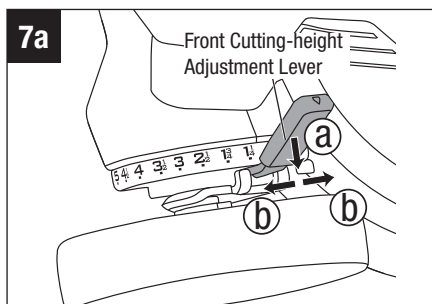
This mower allows you to adjust the cutting height of the front and the rear of the mower individually.

⚠ WARNING To keep balance during mowing, please adjust both front and rear cutting heights at identical settings. For example, if the front wheel cutting height is set to 1 in. (25 mm), the rear wheel cutting height **MUST** also be set to 1 in.

(25 mm), and so on. Please refer to the table below. Inconsistent height between the front and rear wheels may cause accidental injury and problems with the grass bag.

Front wheel cutting-height setting	Rear wheel cutting-height setting
1 in. (25 mm)	1 in. (25 mm)
1-1/4 in. (33 mm)	1-1/4 in. (33 mm)
1-3/4 in. (44 mm)	1-3/4 in. (44 mm)
2-1/2 in. (58 mm)	2-1/2 in. (58 mm)
3 in. (72 mm)	3 in. (72 mm)
3-1/2 in. (86 mm)	3-1/2 in. (86 mm)
4 in. (101 mm)	4 in. (101 mm)
4-1/2 in. (114 mm)	4-1/2 in. (114 mm)
5 in. (125 mm)	5 in. (125 mm)

Choose the proper cutting height according to the type and condition of the grass to be cut.



1. Switch off the mower and wait for the cutting blades to come to a complete stop.
2. Remove the battery packs.
3. Pull the front or rear cutting height adjustment lever out of the detent (a) and set it to the desired position (b).

NOTE: To avoid overloading the motor, avoid setting the cutting height too low in tall grass. If the motor speed begins to slow, raise the cutting height.

OPERATION

⚠ WARNING Always remove the battery pack(s) from the product when you are assembling parts, making adjustments, cleaning, or when not in use. Removing the battery pack(s) will prevent accidental starting that could cause serious personal injury.

ATTACHING/DETACHING THE BATTERY PACKS (FIG. 8)

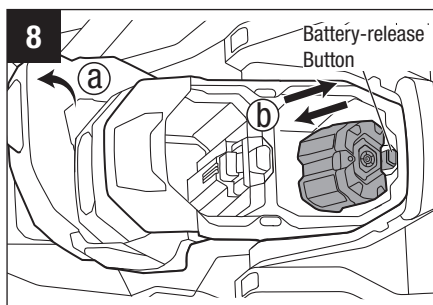
NOTE: Charge the battery packs before first use.

NOTE: For best performance, we recommend using EGO Battery packs totaling 6 Ah or greater capacity.

NOTE: The mower has two active battery ports. It can operate off of one or two battery packs. Using two battery packs gives you a longer runtime and efficient power draw managed by PEAK POWER™ technology.

1. Open the battery compartment cover by lifting the rear of the cover (a).
2. Align the grooves in the battery pack with the raised ribs in the battery compartment, and then insert the battery pack into the compartment (b).
3. Push the battery pack until you hear a “click”. The battery-release button will spring up when the battery pack is securely attached.
4. Repeat the process to install the second battery pack.

NOTE: Make sure that the latch in the battery compartment snaps into place and that the battery pack is secured to the mower before starting operation.



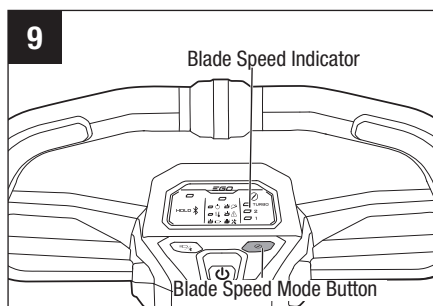
5. To **detach the battery pack**, depress the battery-release button to release the battery pack, and then lift it out of the battery compartment.
6. Repeat the process to detach the second battery pack.
7. Close the battery compartment cover.

SELECTING BLADE SPEED MODE (Fig. 9)

Select Blade Speed Mode

The mower features three blade speed modes:

- **Mode TURBO** is the fastest blade speed mode and provides high-lift performance to improve suction force and cutting performance.
- **Mode 2** is the best balance between performance and runtime.
- **Mode 1** provides the lowest noise level and longest runtime from your battery pack.



NOTE: Higher blade speed will significantly affect runtime.

Select between **mode 1**, **mode 2**, and **mode TURBO** by sequentially pressing the blade speed mode button.

NOTE: The default blade speed mode is **mode 2**.

BLUETOOTH® WIRELESS TECHNOLOGY

Products with built-in Bluetooth® wireless technology can connect to mobile devices.

To install EGO Connect™ app

1. Download the EGO Connect™ app on your mobile device.
2. Create a new account in the EGO Connect™ app. If you already have an account, skip to step 4.
3. An email will be sent to the registered email address. Follow the instructions in the email to validate your account.
4. Log in to your EGO account in EGO Connect™ app.

To pair EGO Connect™ and the product

Press the Bluetooth® button for 5 seconds, then wait for the product to connect. The Bluetooth® indicator will flash blue during pairing.

The Bluetooth® indicator will glow solid blue when the product is connected to your mobile device.

Follow the instructions in the EGO Connect™ app.

STARTING/STOPPING THE MOWER

⚠ WARNING The operation of any lawn mower can result in foreign objects being thrown into your or others' eyes, which can damage eyes severely. Always wear safety glasses while operating the mower or while performing any adjustments or repairs on the mower.

⚠ WARNING Ensure that other people and pets remain at least 100 feet. (30 m) away from the mower when it is in use.

NOTICE The blades will continue to rotate for a few seconds after the mower is turned off. Allow the motor/blades to stop rotating before starting it again. Do not rapidly turn the mower off and on.

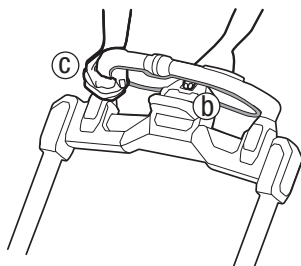
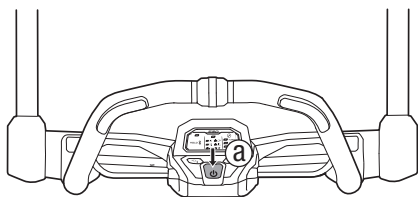
⚠ CAUTION Do not attempt to override the operation of the power button and bail switch.

NOTE: The mower cannot be started unless the handle is locked in one of the three operating positions.

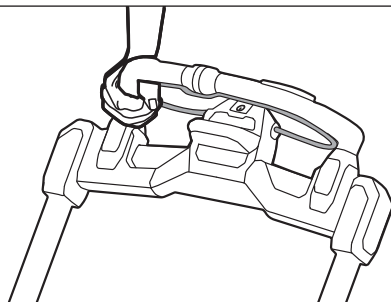
To start the mower (Fig. 10a & 10b)

1. Attach the battery packs to the mower and close the battery compartment cover.
2. Press the power button (a) to illuminate the dashboard and the mower status indicator. The blade speed indicator for **mode 2** will light up.
3. Press the blade speed mode button to select the desired speed. Refer to the section "**Selecting Blade Speed Mode**" in this manual.
4. Press and hold the power button (b).
5. With the power button pressed, pull the bail switch to meet the handle (c). The mower will start.
6. Release the power button.

10a

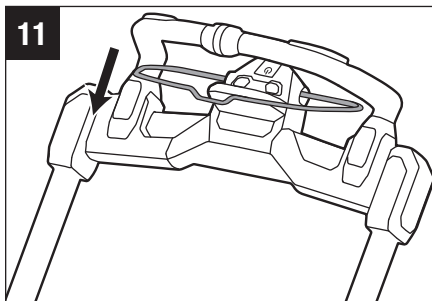


10b



To stop the mower (Fig. 11)

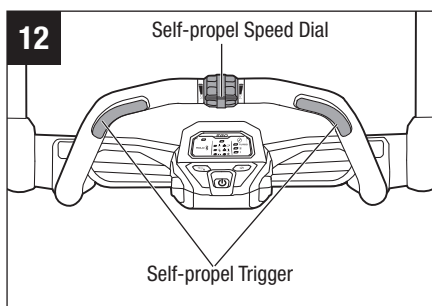
1. Fully release the bail switch.
2. The electric brake in the Automatic Braking Mechanism will stop the blade rotation within 3 seconds of the bail switch release.



VARIABLE-SPEED SELF-PROPEL SYSTEM (Fig. 12)

The mower is equipped with variable-speed, self-propel capability. To increase the speed, rotate the self-propel speed dial forward. To decrease the speed, rotate the self-propel speed dial backward.

NOTICE The self-propel function will be disabled (OFF) when the self-propel speed control dial is rotated backward to the lowest position.



WHEN THE MOWER IS SHIPPED, THE SPEED DIAL IS FACTORY-SET AT THE LOWEST (OFF) POSITION. Before starting the self-propel function for the first time, slightly rotate the self-propel speed dial forward.

This self-propel system is independent from the blade rotation. For example, when you have completed cutting your lawn, you can use the self-propel to move the mower back to your storage location without blade rotation. Or you may choose to operate the mower as a push mower to maximize battery runtime.

To operate the self-propel system without blade rotation

Slightly rotate the self-propel speed dial forward until a click can be heard, then press the self-propel trigger(s). There are two self-propel triggers and either can be pressed to start the self-propel function.

To turn the self-propel off, release the self-propel trigger.

To operate the self-propel system with blade rotation

1. Press the power button to illuminate the dashboard.
2. Press the blade speed mode button to select the desired speed.
3. Press and hold the power button.
4. With the power button pressed, pull the bail switch against the handle to start the mower, then release the power button.
5. Hold the bail switch against the handle with one of your hands. Press either of the self-propel triggers to start the self-propel function.
6. With one hand holding both the bail switch and the self-propel trigger against the handle, use the other hand to adjust the self-propel speed dial to choose the desired speed.

NOTICE When you turn off the self-propel, for example, at the end of a row, the wheels may become temporarily locked if you attempt to pull the mower backward. Simply push ahead slightly and then move the mower as desired.

NOTICE It may be easier in some cases to mow around an object with the self-propel turned off.

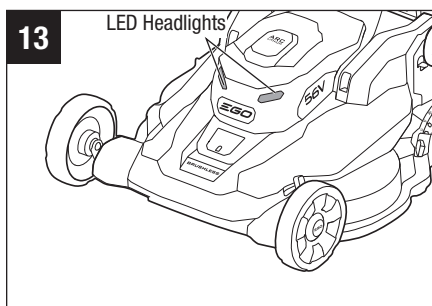
WARNING To reduce the risk of injury, never attempt to override the operation of the bail switch or self-propel trigger. Use the self-propel system for its intended purpose only.

LED HEADLIGHTS (Fig. 13)

The LED headlights are located on the front of the battery compartment (Fig. 13).





To turn on the headlights, press the LED headlights button. The headlights provide bright light in front of the mower.



To turn off the headlights, press the LED headlights button again.



MOWER STATUS INDICATORS (SEE Fig. 1b)

The mower status indicator on the dashboard shows the working status of the mower.

Indicator	Description	Meaning	Action
	Solid green	Mower is working properly.	None required.
	Flashing green	The handle is not locked in an operating position.	Stop the mower and make sure that the handle is locked in one of the three operating positions.
	Flashing red	Low battery charge.	Stop the mower and charge the battery pack(s).
	Solid orange	Mower is overheated.	Release the bail switch and wait until the mower temperature drops below 176 °F (80 °C). See " MOWER HIGH-TEMPERATURE PROTECTION " below.

Indicator	Description	Meaning	Action
	Flashing orange	Mower is overloaded.	<ol style="list-style-type: none"> 1. Remove the battery pack(s), then check if grass has accumulated beneath the deck. Clean if necessary. 2. Slow down the mowing pace and/or blade speed. 3. Raise the cutting height. 4. If the solutions above do not work, please contact EGO Customer Service. <p>See "MOWER OVERLOAD PROTECTION" below.</p>
	Flashing red/green alternately	Mower electronics error.	Contact EGO Customer Service.

MOWER HIGH-TEMPERATURE PROTECTION

If the mower temperature exceeds 194 °F (90 °C) during operation, the temperature-protection circuit will immediately shut off the mower to prevent overheating damage.

The mower status indicator will glow solid orange. Release the blade rotation trigger and wait until the overheated mower cools down and the status indicator turns green. Then restart the mower.

MOWER OVERLOAD PROTECTION

To prevent overload conditions, do not try to remove too much grass at one time. Slow down your mowing pace or raise the cut height.

Your mower has built-in overload circuit protection. When the mower is overloaded, the motor will stop and the mower status indicator on the dashboard will flash orange.

MOWING TIPS

NOTICE Sharp blades will greatly enhance the performance of the mower, especially when cutting tall grass. Make sure to check the sharpness of the blades before mowing.

- Verify that the lawn is free of stones, sticks, wires, and other objects which could damage the lawn mower or motor. Such objects could be accidentally thrown by the mower in any direction and could cause serious personal injury to the operator and to others.

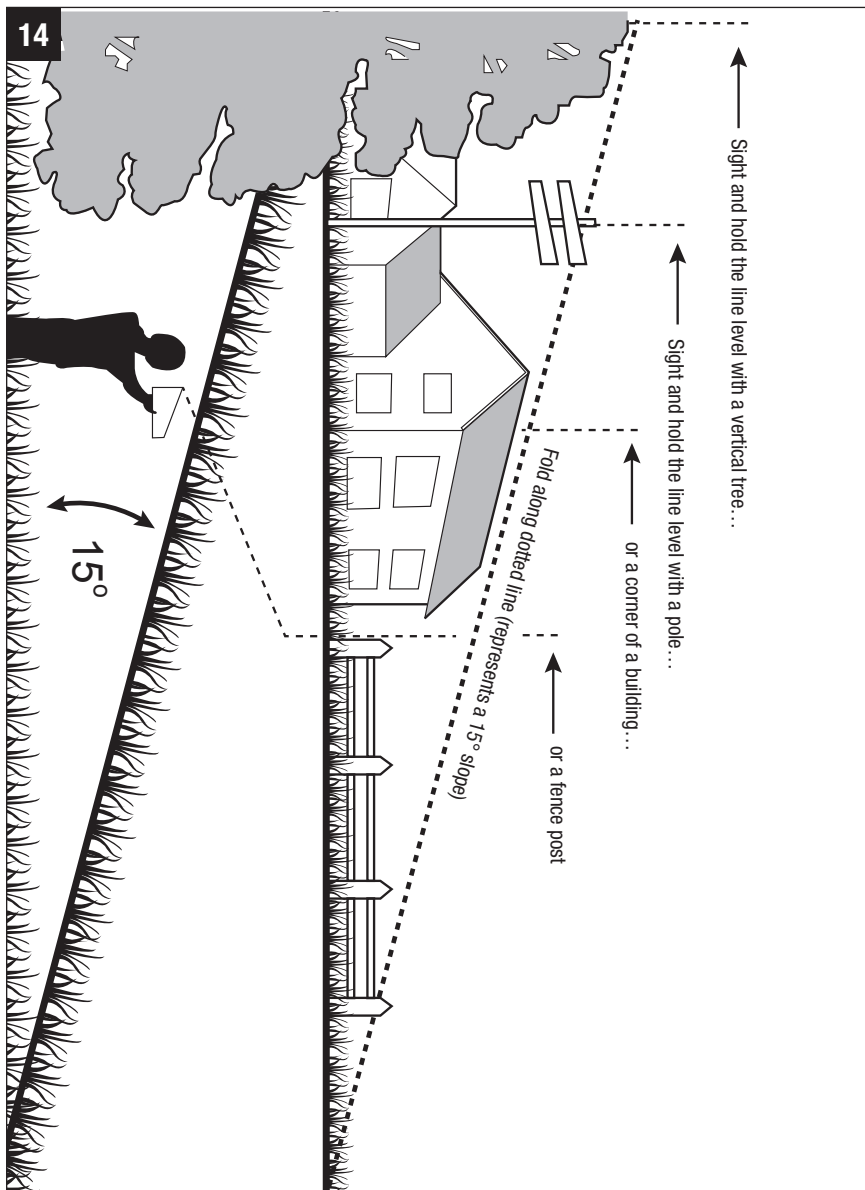
WARNING If you strike a foreign object, stop the motor and remove the battery. Thoroughly inspect the mower for any damage, and repair the damage before restarting and operating the mower. Excessive vibration of the mower during operation is an indication of damage. The unit should be promptly inspected and repaired.

- For best results, do not mow in circles. Travel back and forth across the lawn.
- When cutting thick grass, reduce your walking speed in order to allow for a more effective cut and a proper discharge of the clippings.
- To maintain a healthy lawn, cut off only one-third or less of the total length of the grass. The average lawn should be approximately 1-1/2 to 2 inches (38 to 53 mm) long during cool months, and between 2 to 3-1/4 inches (53 to 83 mm) long during hot months.

SLOPE GAUGE (Fig. 14)

WARNING Do not mow a slope that has an angle of greater than 15 degrees (a rise of approximately 2-1/2 ft. (0.75 m) every 10 feet (3 m)). Mow across the face of a slope and never up and down.

Use Fig. 14 as a guide in order to identify slopes that cannot be mowed safely.



MULCHING TIPS

⚠ WARNING Inspect the area where the mower is to be used and remove all stones, sticks, wire, and other debris that might be thrown by the rotating blades.

- Release the bail switch to turn off the mower when crossing any graveled areas; stones can be thrown by the rotating blades.
- Set the mower to the highest cutting height when mowing on uneven ground or in tall growth.
- For effective mulching, do not cut wet grass; it tends to stick to the underside of the deck, preventing the proper mulching of grass clippings. The best time to mow grass is in the late afternoon, when the grass is dry and the newly cut area will not be exposed to direct sunlight.
- For the best mulching performance, set the cutting height to remove approximately one third of the grass blade length, ideally no more than 1-1/2 inches (38 mm) at one time. If the grass is overgrown, it may be necessary to raise the cut height to make it easier to mow and to prevent overloading the motor. Slow your mowing pace in tall or thick grass conditions. For mulching extremely thick or tall grass, it is advisable to first cut at a high cut-height setting, and then re-cut to a lower cut height. **ALWAYS MAKE SURE THAT THE BLADES ARE SHARP.**

MAINTENANCE

⚠ WARNING To avoid serious personal injury, always remove the battery packs from the mower before cleaning or performing any maintenance.

⚠ WARNING When servicing, use only identical replacement parts. Use of any other parts may create a hazard or cause product damage. To ensure safety and reliability, all repairs should be performed by a qualified service technician.

CLEANING THE MOWER

⚠ WARNING Always remove the battery pack(s) from the mower before cleaning or performing any maintenance. The underside of mower deck should be cleaned after each use, as grass clippings, leaves, dirt, and other debris will accumulate. This accumulation is undesirable; it will promote rust and corrosion. Remove any buildup of grass and leaves on or around the drive shaft and motor fan (do not use water). Wipe the mower clean with a damp cloth.

REPLACING THE BLADES

⚠ WARNING A worn, cracked, or damaged blade can break, and pieces of the damaged blade can become dangerous projectiles. Thrown objects can cause serious injury. Inspect the blades regularly and do not operate the mower with a worn or damaged blade.

⚠ WARNING Always protect your hands by wearing heavy gloves or wrapping the cutting edges with rags or other materials when performing any maintenance on the mower blades. Always remove the battery pack(s) when servicing or transporting the mower.

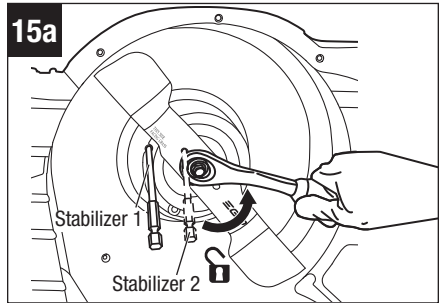
NOTICE The following tools (not included) are required for replacing the blades:

- 9/16 inch (14 mm) adjustable wrench (impact wrench with 9/16 inch (14 mm) is recommended)
- 9/16 inch (14 mm) torque wrench
- Manual screwdriver or metal rod with a diameter of 1/4 inch (6.35 mm) or less
- Manual screwdriver or metal rod with a diameter of 5/16 inch (8 mm) or less

To remove the blades

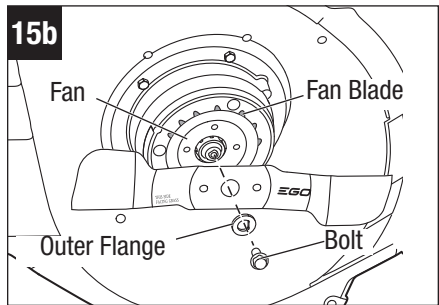
1. Stop the motor, remove the battery pack(s) and grass bag from the mower.

2. Turn the mower on its side.
3. Insert a metal rod (stabilizer 1) with a diameter of $\varnothing 5/16$ (8 mm) or less into the stabilizer hole to prevent the blade from rotating when loosening the bolt.
4. Use the 9/16 inch (14 mm) wrench to turn the blade bolt COUNTERCLOCKWISE to loosen and remove the bolt (Fig. 15a).



NOTICE If the bolt rotates with the motor shaft when loosening the bolt, place another metal rod with a diameter less than 1/4 inch (6.35 mm) into the aligned holes of the blade and fan to act as stabilizer 2.

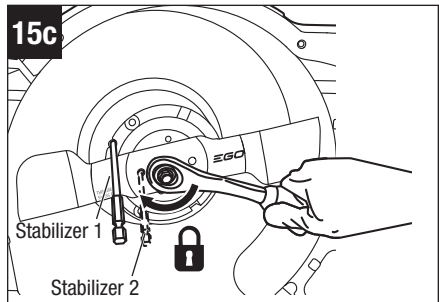
5. Remove the outer flange and the blade (Fig.15b).
6. Leave the fan on the motor shaft. Be sure that the fan blade is facing towards the deck (Fig. 15b).



To replace the blades

NOTICE To re-install or replace the blades, be sure to replace the parts in the exact order in which they were removed.

7. Position the blade onto the inner flange of the fan with the surface marked **“THIS SIDE FACING GRASS”** facing toward the outside.
8. Align the outer flange with the shaft and assemble it in place.
9. Mount the bolt into the shaft and finger-tighten the bolt CLOCKWISE.
10. Insert the metal rod as shown in Fig. 15c.
11. Use the 9/16 inch (14 mm) torque wrench to tighten the bolt CLOCKWISE. The recommended torque for the blade bolt is 36-43 ft-lb (50-60 N.m).
12. Repeat the process to replace the second blade.



NOTICE If the bolt rotates with the motor shaft when tightening the bolt, insert a small metal rod with a diameter less than 1/4 inch (6.35 mm) to act as stabilizer 2.

SHARPENING THE BLADES

A dull blade can be sharpened, but a blade that is excessively worn, bent, cracked, or otherwise damaged must be replaced. A worn or damaged blade can break, causing blade pieces to be thrown from the mower.

If a blade is found to be bent, take the lawn mower to an authorized EGO service center for inspection. Never attempt to straighten a bent blade by heating, or weld a cracked or broken blade.

⚠ WARNING Always protect your hands by wearing heavy gloves or wrapping the cutting edges with rags or other materials when performing any maintenance on the mower blades. Always remove the battery packs when servicing or transporting the mower.

⚠ WARNING Use proper eye protection while removing, sharpening, and replacing the blades.

⚠ WARNING A worn, cracked, or damaged blade can break, and pieces of the damaged blade can become dangerous projectiles. Thrown objects can cause serious injury. Inspect the blades regularly and do not operate the mower with a worn or damaged blade.

NOTICE Keep the blades sharp for best cutting performance. A dull blade does not cut grass cleanly or mulch properly.

Sharpening Frequency

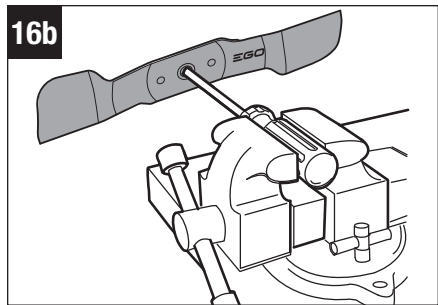
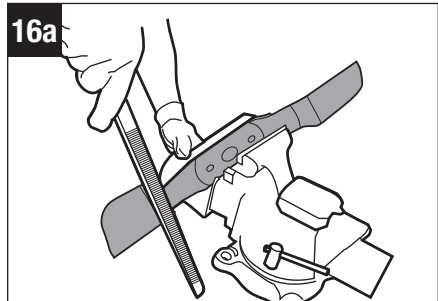
Sharpening the blades twice during a mowing season is usually sufficient under normal circumstances. Sand causes the blades to dull quickly; if your lawn has sandy soil, more frequent sharpening may be required.

When Sharpening the Blades:

- Make sure that the blade remains balanced.
- Sharpen the blade at the original cutting angle.
- Sharpen the cutting edges on both ends of the blade, removing an equal amount of material from each end.

To Sharpen a Blade in a Vise:

1. Remove the blade from the mower.
2. Secure the blade in a vise (Fig. 16a).
3. Wear proper eye protection and gloves and be careful not to cut yourself.
4. Carefully file the cutting edges of the blade with a fine-tooth file or sharpening stone, maintaining the original cutting angle.
5. To check the blade balance: clamp a nail or a screwdriver with a round shank in the horizontal position. Position the blade so that the nail or round shank of the screwdriver supports the blade through its center hole. Balance the blade horizontally. If either end of the blade rotates downward, remove some metal from the heavy or lower end until the blade is balanced. It is balanced when neither end drops (Fig. 16b).
6. Replace the blade on the mower and tighten it securely.



⚠ WARNING An unbalanced blade will cause excessive vibration when rotating at high speeds. It may cause damage to the mower and could break, causing personal injury.

LUBRICATING THE MOWER

All of the bearings in this product are lubricated with a sufficient amount of high grade lubricant for the life of the unit under normal operating conditions. Therefore, no further bearing lubrication is required.

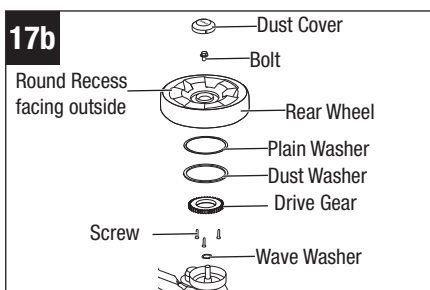
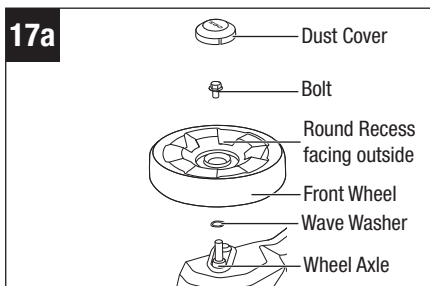
REPLACING THE WHEELS (Fig. 17a, 17b)

⚠ WARNING Always remove the battery packs when servicing or transporting the mower.

1. Turn the mower on its side with the top of the mower against a wall.
2. Use a flat-blade screwdriver (not included) to pry the dust cover away from the wheel.
3. Use an adjustable or 1/2 inch (13 mm) wrench to turn the bolt counterclockwise to loosen it.
4. Remove the bolt, the worn wheel, and the wave washer from the wheel axle.

NOTE:

- When replacing the rear wheel, remove the plain washer, the dust washer, and drive gear from the worn wheel and assemble them to the new wheel with the 3 screws using a Torx T20 screwdriver (not included).
5. Mount the wave washer and the new wheel on the wheel axle. Note that the round recess must face outward.
 6. Secure the wheel with the bolt by tightening the bolt clockwise.
 7. Mount the dust cover onto the wheel and press it in place.

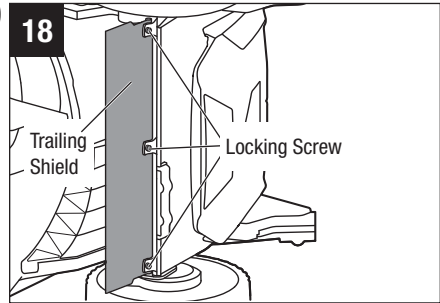


REPLACING THE TRAILING SHIELD (Fig.18)

⚠ WARNING Always remove the battery packs when servicing or transporting the mower.

⚠ WARNING Never operate the mower unless the trailing shield is in place and working. Never operate the mower with damaged

safety devices. Failure to do so can result in personal injury. The trailing shield is subject to wear and damage, which could expose moving parts or allow objects to be thrown. For safety protection, frequently check the trailing shield and replace it immediately if worn or damaged with only the identical replacement part listed in this manual.



1. Remove the battery pack(s).
2. Turn the mower on its side with the top of the mower against the wall.
3. Use a Torx T20 screwdriver (not included) to loosen and remove the three locking screws for the trailing shield; remove the worn trailing shield (Fig. 18).
4. Replace with a new trailing shield and attach it with the three locking screws.

STORING THE MOWER

The following steps should be taken in order to prepare the lawn mower for storage.

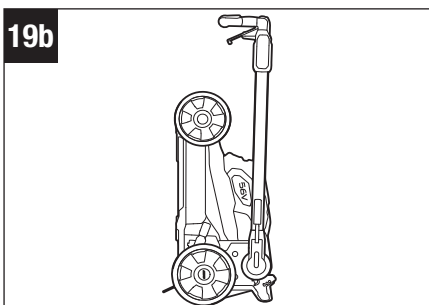
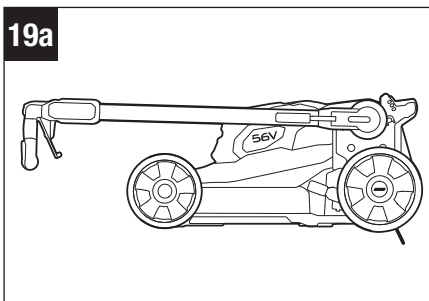
1. Remove the battery pack(s) from the mower and store it at room temperature in a dry location.
2. Empty the grass bag before storage.
3. Always allow the mower to cool down before storing.
4. Clean the mower as described earlier in the “**MAINTENANCE**” section.
5. Inspect the blade(s) and replace them or sharpen them if required.
6. Store the mower in a dry, clean location. Do not store it next to corrosive materials, such as fertilizer or rock salt.

7. Store the mower in a covered and enclosed space that is cool and dry and out of the reach of children.
8. Do not cover the lawn mower with a solid plastic sheet. Plastic coverings trap moisture around the mower, which causes rust and corrosion.

The handle assembly can be folded away completely for storage:

1. Remove the grass bag.
2. Adjust the front/rear cutting-height adjustment lever to the lowest setting height.
3. Fold down the handle to the locked storage position. Refer to the section “**ADJUSTING THE FOLDABLE HANDLE**” in this manual.
4. Store the mower flat or upright (19a & 19b).

⚠ WARNING If the mower tips over from the upright position, mower damage or personal injury may result. Always keep the mower stable and out of the reach of children when it is in the upright position. It is strongly recommended to always lay the mower flat for storage.



TROUBLESHOOTING

PROBLEM	CAUSE	SOLUTION
The mower or self-propel system fails to start.	<ul style="list-style-type: none"> The battery pack(s) charge is depleted. 	<ul style="list-style-type: none"> Charge the battery pack(s).
	<ul style="list-style-type: none"> The battery pack(s) is not properly inserted into the battery compartment. 	<ul style="list-style-type: none"> Insert the battery pack into battery compartment until you hear a "click".
	<ul style="list-style-type: none"> The handle is not locked in an operating position and the mower status indicator flashes green. 	<ul style="list-style-type: none"> Stop the mower and make sure that the handle is locked in one of the three operating positions.
	<ul style="list-style-type: none"> The mower deck is clogged with grass and debris. 	<ul style="list-style-type: none"> Clean the mower deck and ensure that the blades have freedom of movement.
	<ul style="list-style-type: none"> The self-propel speed dial is in the lowest (OFF) position. 	<ul style="list-style-type: none"> Slightly rotate the self-propel speed dial forward, then press the self-propel trigger.
The mower cuts unevenly.	<ul style="list-style-type: none"> The blade(s) is dull. 	<ul style="list-style-type: none"> Sharpen or replace the blade(s).
	<ul style="list-style-type: none"> The grass-cutting height is not set properly. 	<ul style="list-style-type: none"> Move the deck height to a higher setting.
	<ul style="list-style-type: none"> The blade(s) is installed incorrectly. 	<ul style="list-style-type: none"> Re-install the blade(s), following the section "INSTALLING THE BLADES" in this manual.
	<ul style="list-style-type: none"> The blade speed mode is not set properly. 	<ul style="list-style-type: none"> Select a proper blade speed mode.
	<ul style="list-style-type: none"> The grass-cutting height settings between front and rear wheel are not consistent. 	<ul style="list-style-type: none"> Adjust front and rear wheel at identical cutting height.
Short runtime of the mower with included battery.	<ul style="list-style-type: none"> Grass conditions and cutting-height setting will greatly affect the battery runtime. The claimed runtime is based on a light load condition. 	<ul style="list-style-type: none"> Raise the blade height and slow your pace to reduce the cutting load.
	<ul style="list-style-type: none"> The blade speed mode is not set properly. 	<ul style="list-style-type: none"> Select a slower blade speed mode.

PROBLEM	CAUSE	SOLUTION
The mower does not mulch properly.	<ul style="list-style-type: none"> ■ Wet grass clippings are sticking to the underside of the deck. 	<ul style="list-style-type: none"> ■ Wait until the grass dries before mowing.
	<ul style="list-style-type: none"> ■ The mower is set to cut too much grass at once. 	<ul style="list-style-type: none"> ■ Raise the deck to a higher cutting-height setting.
	<ul style="list-style-type: none"> ■ The blade speed mode is not set properly. 	<ul style="list-style-type: none"> ■ Set the blade speed to a lower setting.
The mower unexpectedly stops while mowing.	<ul style="list-style-type: none"> ■ The battery pack(s) charge is depleted. 	<ul style="list-style-type: none"> ■ Charge the battery pack(s).
	<ul style="list-style-type: none"> ■ The mower is overloaded and the mower status indicator flashes orange. 	<ul style="list-style-type: none"> ■ Check if grass has accumulated beneath the deck and clean if needed. Raise the cutting height or slow down the mowing pace.
	<ul style="list-style-type: none"> ■ The mower deck is clogged with grass and debris. 	<ul style="list-style-type: none"> ■ Unclog the mower deck. Raise the cutting height and/or cut a narrower swath.
	<ul style="list-style-type: none"> ■ The battery pack(s) or mower circuitry is too hot. If the battery pack(s) is overheated, the mower status indicator turns off. If the mower is overheated, the mower status indicator glow solid orange. 	<ul style="list-style-type: none"> ■ Allow the battery pack(s) or mower to cool down.
	<ul style="list-style-type: none"> ■ The blade speed mode is not set properly. 	<ul style="list-style-type: none"> ■ Set the blade speed to a lower setting.
	<ul style="list-style-type: none"> ■ There is an electronics error and the mower status indicator flashes red/green alternately. 	<ul style="list-style-type: none"> ■ Contact EGO Customer Service.

PROBLEM	CAUSE	SOLUTION
There is excessive vibration.	<ul style="list-style-type: none"> ■ The cutting blade(s) set is loose. 	<ul style="list-style-type: none"> ■ Tighten the shaft bolt(s).
	<ul style="list-style-type: none"> ■ The cutting blade(s) is unbalanced. 	<ul style="list-style-type: none"> ■ Balance the blade(s) following the section “SHARPENING THE BLADES”.
	<ul style="list-style-type: none"> ■ The cutting blade(s) is bent. 	<ul style="list-style-type: none"> ■ Replace the blade(s).
	<ul style="list-style-type: none"> ■ The motor shaft is bent. 	<ul style="list-style-type: none"> ■ Contact EGO Customer Service.
	<ul style="list-style-type: none"> ■ The mower is set to cut too much grass at once. 	<ul style="list-style-type: none"> ■ Raise the deck to a higher cutting-height setting.
	<ul style="list-style-type: none"> ■ The blade speed mode is not set properly. 	<ul style="list-style-type: none"> ■ Set the blade speed to a lower setting.
The motor works, but the blade(s) doesn't cut the grass.	<ul style="list-style-type: none"> ■ The shaft bolt(s) is not tightened to the required torque. 	<ul style="list-style-type: none"> ■ Re-tighten the shaft bolt(s). The recommended torque is 36-43 ft-lb (50-60 N.m).



EGO LIMITED WARRANTY

WARRANTY POLICY TERMS AND DURATION

Chervon North America, Inc. (“Chervon North America, Naperville, IL 60563”) provides the following Limited Warranty for EGO products to the original purchaser of EGO products.

The detailed warranty period for each EGO product can be found online at <http://egopowerplus.com/warranty-policy>.

Please contact EGO Customer Service Toll-Free at 1-855-EGO-5656 any time you have questions or any warranty claims..

LIMITED SERVICE WARRANTY

EGO products are warranted against defects in material or workmanship from the date of original retail purchase for the applicable warranty period. For any properly and timely submitted warranty claim, if Chervon North America determines a product to be defective during the warranty period, the product will receive free repair or replacement as determined by Chervon North America.

HOW TO OBTAIN SERVICE

For warranty service, within the applicable warranty period, please contact EGO customer service toll-free at 1-855-EGO-5656. When requesting warranty service, you must present the original dated sales receipt. An authorized service center will be selected to evaluate and repair the product if defective according to the stated warranty terms. When bringing your product to the authorized service center, there may be a small deposit that will be required when dropping off your tool. This deposit is refundable when the repair service is deemed to be covered under warranty. The purchaser is responsible for transportation of any outdoor power equipment or attachments at their expense.

ADDITIONAL LIMITATIONS & EXCLUSIONS

This limited warranty applies only to the original purchaser from an authorized EGO retailer and is not transferable. EGO products shall not be considered defective, and this warranty will not apply, where the claimed defect is attributable to any cause other than the above-defined defects. This warranty shall be void if the product has been used for rental purposes. This warranty shall not apply to damage caused by accident, abuse, misuse, alteration, modification, unauthorized repair, liquid contact, fire, earthquake or

48

56-VOLT LITHIUM-ION CORDLESS 30" LAWN MOWER — LM3000SP/LM3000SP-FC



other external cause; operating the product outside EGO's instructions, specifications or guidelines; or failure to properly service or maintain the product. This warranty also does not apply to cosmetic damage, including but not limited to scratches or dents; defects caused by normal wear and tear or otherwise due to the normal aging of the product.

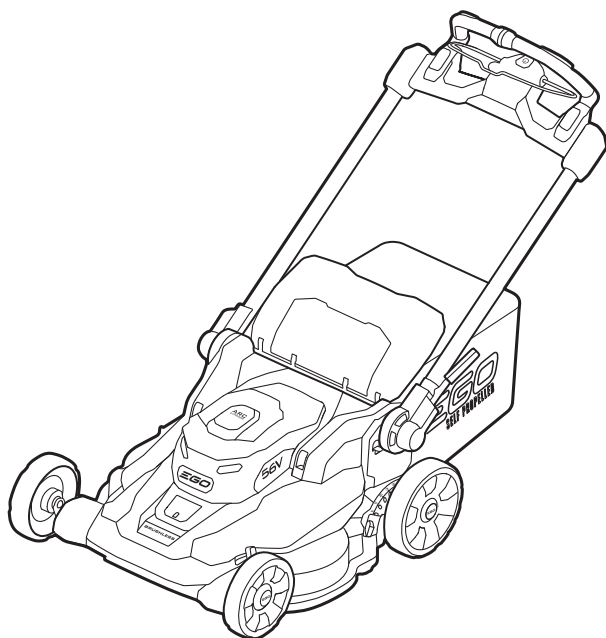
THIS EXPRESS WARRANTY IS GIVEN IN LIEU OF ALL OTHER WARRANTIES, EXPRESS OR IMPLIED, INCLUDING, BUT NOT LIMITED TO, ANY WARRANTIES OF MERCHANTABILITY OR FITNESS FOR PARTICULAR PURPOSE OR USE, WHICH ARE DISCLAIMED. Any implied warranties, including warranties of merchantability or fitness for a particular purpose, that cannot be disclaimed under state law are limited to the applicable warranty period defined at the beginning of this article. The sole and exclusive remedy in connection with the purchase, installation, use, and/or performance of the EGO products is repair or replacement of the product as determined by Chervon North America. Chervon North America's maximum liability shall not in any case exceed the purchase price paid for the product. CHERVON NORTH AMERICA SHALL NOT BE LIABLE TO THE USER OR TO ANYONE ELSE FOR CONSEQUENTIAL, INCIDENTAL, SPECIAL, EXEMPLARY, INDIRECT, OR PUNITIVE DAMAGES ARISING FROM USE OF THE PRODUCTS, INCLUDING BUT NOT LIMITED TO PERSONAL INJURY, DEATH, PROPERTY DAMAGE, LOST PROFITS, OR OTHER ECONOMIC INJURY. This warranty gives you specific legal rights, and you may also have other rights which vary from state to state. Some states do not allow limitations on how long an implied warranty lasts, the exclusion or limitation of incidental or consequential damages, or the limitations on time to bring certain actions, so such limitations contained herein do not apply to individual consumers in those states.

This warranty is subject to and shall be interpreted according to Michigan law without regard to principles of conflicts of laws. No legal action shall be brought against Chervon North America unless filed within one (1) year after the basis for such legal action becomes known, or with the exercise of reasonable diligence should have become known. Any action not timely filed shall be deemed waived.

For customer service contact us toll-free at: **1-855-EGO-5656** or **EGOPOWERPLUS.COM**.
EGO Customer Service, 769 SEWARD AVE NW / Suite 102 Grand Rapids, MI 49504

EGO™

POWER⁺ MOWER™



MODE D'EMPLOI

TONDEUSE À GAZON DE 30 PO SANS FIL À PILES AU LITHIUM-ION DE 56 V

NUMÉRO DE MODÈLE LM3000SP/LM3000SP-FC

⚠ AVERTISSEMENT : Pour réduire le risque de blessure, l'utilisateur doit lire et comprendre le Mode d'emploi avant d'utiliser ce produit. Conservez ces instructions pour vous y référer ultérieurement.

LISEZ TOUTES LES INSTRUCTIONS !



READ & UNDERSTAND
OPERATOR'S MANUAL

TABLE DES MATIÈRES

Symboles Relatifs À La Sécurité	52
Symboles	53-54
Avertissements Relatifs À La Sécurité Des Tondeuses À Gazon .	55-60
Règles Supplémentaires Pour Les Tondeuses À Gazon	60-62
Introduction	63
Spécifications	63-64
Accessoires Recommandés	64
Description	65-69
Assemblage	70-77
Fonctionnement	77-88
Entretien	88-95
Recherche De La Cause Des Problèmes	95-99
Garantie Limitée Ego	100-103

SYMBOLES RELATIFS À LA SÉCURITÉ

Les symboles relatifs à la sécurité ont pour but d'attirer votre attention sur les dangers possibles. Les symboles relatifs à la sécurité et les explications qui les accompagnent nécessitent votre attention et votre compréhension. Les symboles d'avertissement n'éliminent pas à eux seuls tous les dangers. Les instructions et les avertissements qu'ils donnent ne remplacent pas les mesures appropriées de prévention des accidents.

⚠ AVERTISSEMENT Veillez à lire et à comprendre toutes les consignes de sécurité contenues dans ce Mode d'emploi, y compris tous les symboles d'alerte de sécurité tels que « **DANGER** », « **AVERTISSEMENT** » et « **MISE EN GARDE** », avant d'utiliser cette machine. La non-observation de toutes les instructions figurant ci-après pourrait causer un choc électrique, un incendie et/ou des blessures graves.

Les définitions ci-dessous décrivent le niveau de gravité de chaque mot indicateur. Veuillez lire le mode d'emploi et prêter attention à ces symboles.	
	Ceci est le symbole d'alerte de sécurité. Il est utilisé pour vous avertir des risques potentiels de blessures. Respectez tous les messages de sécurité qui suivent ce symbole afin d'éviter tout risque de blessure ou de décès.
⚠ DANGER	DANGER indique une situation dangereuse qui, si elle n'est pas évitée, causera la mort d'une personne ou une blessure grave.
⚠ AVERTISSEMENT	AVERTISSEMENT indique une situation dangereuse qui, si elle n'est pas évitée, causera la mort d'une personne ou une blessure grave.
⚠ MISE EN GARDE	MISE EN GARDE, conjointement avec le symbole d'alerte en liaison avec la sécurité, indique une situation dangereuse qui, si elle n'est pas évitée, causera une blessure légère ou modérée.

MESSAGES D'INFORMATION ET PRÉVENTION DES DOMMAGES





Ils informent l'utilisateur d'informations et/ou d'instructions importantes qui, si elles ne sont pas respectées, pourraient endommager l'équipement ou d'autres biens. Chaque message est précédé du mot « **AVIS** », comme dans l'exemple ci-dessous :

AVIS Le non-respect de ces instructions peut endommager l'équipement ou entraîner d'autres dommages matériels.

SYMBOLES

Cette page présente et décrit les symboles de sécurité susceptibles d'apparaître sur ce produit. Lisez, comprenez et suivez toutes les instructions figurant sur la machine avant d'essayer de l'assembler et de la faire fonctionner.

	Alerte relatives à la sécurité	Indique un risque potentiel de blessure.
	Portez des protecteurs d'oreilles.	Portez toujours un dispositif de protection des oreilles (protège-oreilles ou bouchons d'oreilles) pour protéger votre ouïe.
	Lisez le mode d'emploi, et assurez-vous que vous le comprenez.	Pour réduire le risque de blessure, l'utilisateur doit lire le mode d'emploi et s'assurer qu'il le comprend avant d'utiliser ce produit.
	AVERTISSEMENT – Gardez les mains et les pieds à une distance suffisante des lames.	Alerte les utilisateurs pour qu'ils gardent les mains et les pieds à l'écart des lames.
	AVERTISSEMENT – Débranchez la pile avant toute opération d'entretien.	Alerte les utilisateurs pour qu'ils débranchent la pile avant toute opération d'entretien.
	DANGER – Gardez les mains et les pieds à une distance suffisante.	Alerte les utilisateurs pour qu'ils gardent les mains et les pieds à une distance suffisante.
	AVERTISSEMENT – Attention aux objets projetés – Tenez les autres personnes présentes à une distance suffisante.	Alerte les utilisateurs pour qu'ils se méfient des objets projetés – Tenez les personnes présentes à une distance suffisante.

	DANGER – Risque de forte pente	Soyez très prudent(e) sur les pentes. Ne tondez pas les pentes ayant une inclinaison supérieure à 15 degrés.
	Bluetooth®	Symbole Bluetooth®
	Risque d'ingestion	Ce produit contient une pile bouton ou une pile plate.
IP...	Indice de protection (IP)	Classifie le degré de protection fourni par une enceinte pour le matériel électrique
V	Volts	Tension
	Courant continu (c.c.)	Type ou caractéristique du courant
mm	Millimètre	Longueur ou taille
po	po	Longueur ou taille
kg	Kilogramme	Poids
lb	lb	Poids
l	Litre	Volume
bu	Boisseau	Volume
min	Minutes	Temps
n_0	Vitesse à vide	Vitesse de rotation à vide
RPM	Tours par minute	Vitesse de rotation
°C	Degrés Celsius	Température
°F	Degrés Fahrenheit	Température

⚠ AVERTISSEMENT Pour assurer la sécurité et la fiabilité, toutes les réparations doivent être effectuées par un technicien de service qualifié.

AVERTISSEMENTS RELATIFS À LA SÉCURITÉ DES TONDEUSES À GAZON

⚠ AVERTISSEMENT Lisez tous les avertissements relatifs à la sécurité, les instructions, les illustrations et les spécifications fournis avec cette tondeuse. Le non-respect de toutes les instructions figurant ci-après pourrait causer un choc électrique, un incendie et/ou des blessures graves.

Conservez tous les avertissements et toutes les instructions pour pouvoir vous y référer ultérieurement.

SÉCURITÉ DANS LA ZONE DE TRAVAIL

- Afin d'éviter que des personnes présentes n'entrent en contact avec les lames en mouvement ou ne soient blessées par un objet projeté, il ne doit pas y avoir d'autres personnes dans la zone de travail, en particulier des enfants en bas âge. Arrêtez la tondeuse et tous ses attachements si quelqu'un pénètre dans la zone. Un contact avec des lames en mouvement ou des objets projetés peut entraîner des blessures graves, voire mortelles.
- N'utilisez la tondeuse à gazon qu'à la lumière du jour ou sous un bon éclairage artificiel. Les zones sombres sont propices aux accidents.
- N'utilisez pas les tondeuses à gazon dans des atmosphères explosives, par exemple en présence de liquides, de gaz ou de poussières inflammables. Les tondeuses à gazon produisent des étincelles qui peuvent enflammer la poussière ou les fumées.
- N'utilisez pas la tondeuse par mauvais temps, surtout en cas de risque de foudre. Ceci diminue le risque d'être frappé par la foudre.
- Inspectez soigneusement l'endroit où la tondeuse sera utilisée, et enlevez toutes les pierres, les bâtons, les fils, les os et autres corps étrangers. La projection d'objets peut causer des blessures.

SÉCURITÉ ÉLECTRIQUE

- N'utilisez pas la tondeuse sous la pluie ou dans des conditions humides. La pénétration d'eau dans une tondeuse à gazon peut augmenter le risque de choc électrique.

SÉCURITÉ PERSONNELLE

- Utilisez des équipements de protection individuelle. Portez toujours des équipements de protection des yeux. Les équipements de protection permettent de réduire les blessures.

- **Habillez-vous de façon appropriée. Ne portez pas de bijoux ou de vêtements amples. Tenez vos cheveux et vos vêtements à l'écart des pièces mobiles.**
Les vêtements amples, les bijoux ou les cheveux longs risquent d'être attrapés par des pièces en mouvement.
- **Lorsque vous utilisez la tondeuse à gazon, portez toujours un pantalon long.**
La peau exposée augmente le risque de blessure par des objets projetés.
- **Lorsque vous utilisez la tondeuse à gazon, portez toujours des chaussures antidérapantes et protectrices. N'utilisez pas la tondeuse à gazon si vous êtes pieds nus ou si vous portez des sandales ouvertes.** Cela réduit les risques de blessures aux pieds en cas de contact avec la lame ou les lames en mouvement.
- **Prévenez une mise en marche accidentelle. Assurez-vous que l'interrupteur est dans la position hors tension avant de connecter la tondeuse à gazon à une source d'alimentation et/ou à des piles, de la soulever ou de la transporter.** Le fait de transporter une tondeuse à gazon avec le doigt sur l'interrupteur ou de la mettre sous tension avec l'interrupteur en position activée invite les accidents.
- **Retirez toute clé de réglage ou autre clé avant de mettre la tondeuse en marche.** Une clé laissée attachée à une pièce rotative de la tondeuse peut entraîner des blessures.
- **Gardez un bon équilibre et un appui stable sur vos pieds à tout moment.** Cela permet de mieux contrôler la tondeuse dans des situations inattendues.
- **Restez vigilant(e), regardez ce que vous faites et faites preuve de bon sens lorsque vous utilisez une tondeuse à gazon. N'utilisez pas une tondeuse à gazon si vous êtes fatigué(e) ou sous l'influence de drogues, d'alcool ou de médicaments.** Un simple moment d'inattention lors de l'utilisation d'une tondeuse à gazon peut entraîner des blessures graves.
- **Ne laissez pas la familiarité acquise par l'utilisation fréquente de la tondeuse à gazon vous permettre de devenir complaisant(e) et d'ignorer les principes de sécurité de la tondeuse à gazon.** Un geste imprudent peut entraîner des blessures graves en une fraction de seconde.
- **Pour éviter tout contact avec la lame de l'opérateur ou toute blessure due à la projection d'un objet, restez dans la zone de l'opérateur, derrière les poignées de la tondeuse.** Le contact avec la lame ou la projection d'objets peut entraîner des blessures graves.
- **Ne touchez pas les lames et autres pièces mobiles dangereuses lorsqu'elles sont encore en mouvement.** Ceci réduit le risque de blessures causées par des pièces mobiles.

UTILISATION ET ENTRETIEN DE LA TONDEUSE

- **Utilisez la tondeuse et les accessoires conformément à ces instructions, en tenant compte des conditions de travail et du travail à effectuer.** L'utilisation de la tondeuse à gazon pour des opérations différentes de celles qui sont prévues peut entraîner une situation dangereuse.
- **Avant d'utiliser la tondeuse, vérifiez toujours visuellement que la lame ou les lames sont correctement fixées et qu'elles ne sont pas usées ou endommagées.** Les pièces lâches, usées ou endommagées peuvent augmenter le risque de blessure.
- **Maintenez les dispositifs de protection et autres systèmes de sécurité en place, correctement montés et en état de marche.** Un dispositif de protection ou un autre système de sécurité desserré, endommagé ou ne fonctionnant pas correctement peut entraîner des blessures.
- **Veillez à ce que toutes les entrées d'air de refroidissement soient exemptes de débris.** Des entrées d'air obstruées et des débris peuvent entraîner une surchauffe ou un risque d'incendie.
- **N'utilisez pas la tondeuse à gazon si l'interrupteur ne permet pas de la mettre en marche et de l'arrêter.** Toute tondeuse à gazon qui ne peut pas être contrôlée par l'interrupteur est dangereuse et doit être réparée.
- **N'utilisez pas la tondeuse dans de l'herbe mouillée. Marchez, ne courez jamais.** Ceci réduit le risque de glisser et de tomber, ce qui peut entraîner des blessures.
- **N'utilisez pas la tondeuse sur des pentes trop raides.** Ceci réduit le risque de perte de contrôle, de glissement et de chute pouvant entraîner des blessures.
- **Ne forcez pas la tondeuse à gazon. Utilisez la tondeuse appropriée pour votre application.** La tondeuse à gazon correcte fera le travail plus efficacement et avec plus de sécurité si elle fonctionne à la vitesse à laquelle elle a été conçue pour fonctionner.
- **Faites attention à la direction d'éjection de la tondeuse et de l'attache, et ne dirigez pas l'éjection de la tondeuse vers quelqu'un.** La projection d'objets peut causer des blessures.
- **Soyez extrêmement prudent(e) lorsque vous faites marche arrière ou que vous tirez la tondeuse vers vous. Observez toujours ce qu'il y a autour de vous.** Cela réduit le risque de trébuchement pendant le fonctionnement.
- **Lorsque vous travaillez sur des pentes, soyez toujours sûr(e) de vos appuis, travaillez toujours en travers de la pente, jamais vers le haut ou vers le bas,**

et faites preuve d'une extrême prudence lorsque vous changez de direction. Ceci réduit le risque de perte de contrôle, de glissement et de chute pouvant entraîner des blessures.

- **Faites fonctionner le dispositif de désactivation et/ou retirez tous les blocs-piles, s'ils sont amovibles, de la tondeuse avant d'effectuer des réglages, de changer d'accessoires ou de ranger la tondeuse.** De telles mesures de sécurité préventives réduisent le risque de mise en marche accidentelle de la tondeuse à gazon.
- **Maintenez les poignées et les surfaces de préhension sèches, propres et exemptes d'huile et de graisse.** Les poignées et les surfaces de préhension glissantes ne permettent pas de manipuler et de contrôler la tondeuse en toute sécurité dans des situations inattendues.
- **Vérifiez fréquemment que le bac à herbe n'est pas usé ou détérioré.** Un bac à herbe usé ou endommagé peut augmenter le risque de blessures.
- **Avant de retirer le bac à herbe, arrêtez le moteur et attendez l'arrêt complet de la lame ou des lames. La lame ou les lames de coupe continue(nt) de tourner après le relâchement de la commande des lames. Ne placez jamais une partie quelconque de votre corps dans la zone de la lame/des lames avant d'avoir vérifié que le moteur est à l'arrêt et que la lame/les lames a/ont cessé de tourner.** Un contact avec la lame ou les lames de coupe en mouvement peut entraîner des blessures graves.
- **Avant de déboucher la goulotte, coupez le moteur, attendez l'arrêt complet de la lame ou des lames, actionnez le dispositif de désactivation et/ou retirez toutes les piles, si elles sont amovibles.** La lame ou les lames de coupe continue(nt) de tourner après le relâchement de la commande des lames. Ne placez jamais une partie quelconque de votre corps dans la zone de la lame/des lames avant d'avoir vérifié que le moteur est à l'arrêt et que la lame/les lames a/ont cessé de tourner. Un contact avec la lame ou les lames de coupe en mouvement peut entraîner des blessures graves.
- **Avant de nettoyer ou d'inspecter la tondeuse, arrêtez le moteur, attendez l'arrêt complet des lames, actionnez le dispositif de désactivation et/ou retirez toutes les piles, si elles sont amovibles.** Un contact accidentel avec la lame ou les lames en mouvement ou d'autres pièces mobiles peut entraîner des blessures.
- **Entretenez la tondeuse et ses accessoires. Vérifiez que les pièces mobiles ne sont pas mal alignées ou coincées, qu'elles ne sont pas cassées et qu'elles ne présentent aucune autre anomalie susceptible d'affecter le**

fonctionnement de la tondeuse. Si elle est endommagée, faites réparer la tondeuse avant de la réutiliser. De nombreux accidents sont causés par des tondeuses à gazon mal entretenues.

- **Rangez toute tondeuse à gazon à l'arrêt hors de portée des enfants et ne laissez pas des personnes ne connaissant pas la tondeuse ou n'ayant pas lu ces instructions utiliser la tondeuse à gazon.** Les tondeuses à gazon sont dangereuses entre les mains d'opérateurs n'ayant pas appris à les utiliser.

UTILISATION ET ENTRETIEN DES TONDEUSES À PILES

- **Utilisez la tondeuse à gazon exclusivement avec des blocs-piles conçus spécifiquement pour celle-ci.** L'emploi de tout autre bloc-piles risquerait de causer des blessures et un incendie.
- **Ne rechargez la machine qu'avec le chargeur indiqué par le fabricant.** Un chargeur qui est approprié pour un type de bloc-piles vos pourrait créer un risque d'incendie quand il est utilisé avec un autre bloc-piles.
- **Suivez toutes les instructions relatives à la charge, et ne chargez pas le(s) bloc(s)-piles ou la tondeuse à gazon en dehors de la plage de température spécifiée dans les instructions.** Une charge incorrecte ou à des températures en dehors de la plage spécifiée peut endommager la pile et augmenter le risque d'incendie.
- **N'utilisez pas une tondeuse à gazon ou un bloc-piles qui est endommagé ou qui a été modifié.** Des piles endommagées ou modifiées peuvent se comporter de façon imprévisible et causer un incendie, une explosion ou des blessures.
- **N'exposez pas un bloc-piles ou une tondeuse à gazon à un feu ou à une température excessive.** L'exposition à un feu ou à une température supérieure à 130 °C / 265 °F peut provoquer une explosion.
- **Dans des conditions d'utilisation abusives, du liquide pourrait être éjecté de la pile/des piles ; évitez tout contact avec ce liquide. En cas de contact accidentel, lavez avec de l'eau.** En cas de contact de liquide avec les yeux, consultez un professionnel de santé. Tout liquide éjecté d'une pile/de piles peut causer de l'irritation ou des brûlures.
- **Lorsque des blocs-piles ne sont pas utilisés, il faut les garder à une distance suffisante des autres objets en métal, comme des trombones, pièces de monnaie, clés, clous, vis ou autres petits objets en métal qui pourraient créer une connexion entre une borne et une autre.** Le court-circuitage des bornes d'une pile pourrait causer des brûlures ou un incendie.

SERVICE APRÈS-VENTE

- **Faites réparer votre tondeuse à gazon par un réparateur compétent n'utilisant que des pièces de rechange identiques. Ceci assurera le maintien de la sécurité de la tondeuse à gazon.** L'utilisation de pièces qui ne répondent pas aux spécifications des équipements d'origine pourrait causer une performance inadéquate et compromettre la sécurité.
- **Ne réparez jamais un bloc-piles endommagé.** L'entretien des blocs-piles ne doit être effectué que par le fabricant ou des prestataires de services agréés.

RÈGLES SUPPLÉMENTAIRES POUR LES TONDEUSES À GAZON

- L'utilisateur est responsable des dangers ou des accidents survenant à d'autres personnes ou à leurs biens.
- Familiarisez-vous avec les commandes et l'utilisation correcte de la machine.
- Avant de l'utiliser, vérifiez toujours visuellement que les lames et les boulons de fixation des lames ne sont pas usés ou endommagés. Remplacez les lames et les boulons usés ou endommagés dans les jeux pour préserver l'équilibre.
- Assurez-vous que tous les écrous et boulons, ainsi que toutes les vis, sont bien serrés pour que le produit peut continuer à fonctionner sans danger.
- Vérifiez le fonctionnement de la machine avant chaque utilisation et, en cas de défaut de fonctionnement, faites-la réparer immédiatement par un technicien qualifié ; n'ouvrez jamais la machine vous-même.
- N'utilisez jamais la machine avec un bouclier de protection arrière ou un bac à herbe défectueux.
- Lorsque vous utilisez la machine sans bac à herbe, veillez à ce que le bouclier de protection arrière soit en position fermée (risque de blessures causées par les lames de coupe en rotation).
- Il faut toujours éteindre la machine, retirer le(s) bloc(s)-pile(s) et s'assurer que toutes les pièces mobiles sont complètement arrêtées :
 - lorsque vous laissez la machine sans surveillance.
 - avant de dégager des matériaux coincés.
 - avant d'inspecter ou de nettoyer la machine, ou de travailler sur celle-ci.

- après avoir heurté un corps étranger. Inspectez ensuite la machine pour vérifier qu'elle n'est pas endommagée, et effectuez les réparations nécessaires avant de la faire redémarrer et de l'utiliser.
- si la machine commence à vibrer anormalement. Ensuite, vérifiez immédiatement s'il y a des dommages, remplacez ou réparez les pièces endommagées, et vérifiez si des pièces sont desserrées, et serrez-les si c'est le cas.
- Gardez toujours les mains et les pieds à une distance suffisante de toute pièce en rotation.
- Ne vous placez jamais en face de l'orifice de décharge.
- Mettez le moteur en marche en suivant les instructions, et en éloignant les pieds des lames de coupe.
- Ne tondez jamais à proximité immédiate de personnes (en particulier d'enfants) et d'animaux.
- Arrêtez les lames de coupe si le produit doit être incliné pour le transport, lorsque vous traversez des surfaces autres que de l'herbe et lorsque vous transportez le produit vers la zone d'utilisation ou depuis celle-ci.
- N'inclinez pas le produit lors de la mise en marche du moteur, sauf si le produit doit être incliné pour le démarrage. Dans ce cas, ne l'inclinez pas plus que ce qui est absolument nécessaire, et ne soulevez que la partie qui est éloignée de l'opérateur.
- Lorsque vous effectuez des réglages sur le produit, veillez à ne pas vous coincer les doigts entre les lames en mouvement et les parties fixes.
- Laissez toujours la machine refroidir avant de la ranger.
- Lors de l'entretien des lames, il faut savoir que même si la source d'énergie électrique est coupée, la lame peut encore être déplacée.
- Vérifiez que les lames de coupe ne sont pas bloquées, et gardez les lames de coupe et le châssis de la tondeuse propres. Enlevez l'herbe coupée, les feuilles, les saletés et tous autres débris accumulés avant et après chaque utilisation.
- En cas de blocage, arrêtez la tondeuse et retirez le(s) bloc(s)-piles. Puis enlevez toute accumulation d'herbe et de feuilles sur l'arbre d'entraînement ou autour de l'arbre d'entraînement, ainsi qu'autour du ventilateur, du moteur (n'utilisez pas d'eau). Frottez la tondeuse avec un tissu humide pour la nettoyer.
- Videz le sac à herbe avant de le ranger.
- N'utilisez jamais la machine si le cordon de la poignée est endommagé ; faites-le remplacer par une personne qualifiée.

- Nettoyage et entretien avant le rangement.
- Utilisez la tondeuse à gazon exclusivement avec des blocs-piles conçus spécifiquement pour celle-ci. L'emploi de tout autre bloc-piles risquerait de causer des blessures et un incendie.

BLOC-PILES	CHARGEUR
BA1400, BA1400-FC, BA2800, BA2800-FC, BA4200, BA4200-FC, BA1400T, BA1400T-FC, BA2242T, BA2242T-FC, BA2800T, BA2800T-FC, BA3360T, BA3360T-FC, BA4200T, BA4200T-FC, BA4480T, BA4480T-FC, BA5600T, BA5600T-FC, BA6720T, BA6720T-FC	CH2100, CH2100-FC, CH3200, CH3200-FC, CH5500, CH5500-FC, CH2800D, CH2800D-FC, CH7000, CH7000-FC, CH7000T, CH7000T-FC

PILE PLATE

- Le produit contient des piles non remplaçables.
- Retirez les piles usagées et recyclez-les immédiatement ou mettez-les au rebut conformément aux réglementations locales, et tenez-les hors de portée des enfants. Ne jetez pas les piles dans les ordures ménagères, et ne les incinerez pas.
- Des piles même usagées peuvent causer des blessures graves, voire mortelles.
- Appelez un centre antipoison local pour obtenir des informations sur le traitement.
- Type de pile plate : ICB1250 E6
- Tension nominale de la pile plate : 3,85 V
- Les piles non rechargeables ne doivent pas être rechargées.
- Ne déchargez de force, ne rechargez pas, ne démontez pas, ne chauffez pas à plus de 60 °C / 140 °F et n'incinerez pas. Vous risquez de vous blesser en cas de ventilation, de fuite ou d'explosion entraînant des brûlures chimiques.

⚠ AVERTISSEMENT

- **RISQUE D'INGESTION** : CE PRODUIT CONTIENT UNE PILE BOUTON OU UNE PILE EN FORME DE PIÈCE DE MONNAIE.
- L'INGESTION DE CE PRODUIT PEUT ENTRAÎNER LA MORT OU DES BLESSURES GRAVES.
- SI ELLE EST AVALÉE, UNE PILE BOUTON OU UNE PILE EN FORME DE PIÈCE DE MONNAIE PEUT PROVOQUER DES **BRÛLURES CHIMIQUES INTERNES EN SEULEMENT DEUX HEURES.**
- **TENEZ LES PILES NEUVES ET USAGÉES HORS DE PORTÉE DES ENFANTS**
- **CONSULTEZ IMMÉDIATEMENT UN MÉDECIN SI VOUS SOUPÇONNEZ QU'UNE PILE A ÉTÉ AVALÉE OU INSÉRÉE À L'INTÉRIEUR D'UNE PARTIE QUELCONQUE DU CORPS.**



INTRODUCTION

Félicitations pour votre choix d'une tondeuse à gazon de nouvelle génération de 56 V alimentée par des piles au lithium-ion. Elle a été conçue, développée et fabriquée pour vous donner le plus possible de fiabilité et la meilleure performance possible.

Si vous rencontrez un problème auquel vous ne pouvez pas remédier facilement, **veuillez contacter le service à la clientèle d'EGO au 1-855-EGO-5656.**

Ce mode d'emploi contient des informations importantes sur l'assemblage, l'utilisation et l'entretien de votre tondeuse en toute sécurité. Lisez-le attentivement avant d'utiliser la tondeuse. Conservez ce mode d'emploi à portée de main afin de pouvoir vous y référer à tout moment.

NUMÉRO DE SÉRIE DATE D'ACHAT _____

LES NUMÉROS DE MODÈLE ET DE SÉRIE SE TROUVENT SUR UNE ÉTIQUETTE APPOSÉE SUR LA PORTE DE DÉCHARGE ARRIÈRE.

VOUS DEVEZ ENREGISTRER LE NUMÉRO DE SÉRIE ET LA DATE D'ACHAT, ET LES CONSERVER DANS UN ENDROIT SÛR POUR TOUTE RÉFÉRENCE ULTÉRIEURE.

SPÉCIFICATIONS

Tension	56 V
Mode de réglage de la vitesse de la lame	TURBO
	2 1
Réglage approximatif de la hauteur de coupe (9 positions)	25 mm / 1 po 33 mm / 1-1/4 po 44 mm / 1-3/4 po 58 mm / 2-1/2 po 72 mm / 3 po 86 mm / 3-1/2 po 101 mm / 4 po 114 mm / 4-1/2 po 125 mm / 5 po
Taille du châssis	782 mm / 30,8 po
Volume du sac à herbe	90 l / 2,5 bu

Indice de protection	IPX4* (Protection contre les éclaboussures d'eau)
Poids de la tondeuse (sans le bloc-piles ; avec élément amovible pour le déchetage)	47 kg / 103,6 lb
Autonomie de fonctionnement approximative avec 2 blocs-piles EGO de 6 Ah	75 min (Mode 1)
Température de fonctionnement recommandée	0 °C – 40 °C / 32 °F – 104 °F
Température de stockage recommandée	-20 °C – 70 °C / -4 °F – 158 °F

* **REMARQUE** : L'indice IPX4 est basé sur l'utilisation conjointe de la machine et du bloc-piles en tant que système.

AVIS Veuillez vous référer aux modes d'emploi du bloc-piles et du chargeur pour obtenir des instructions plus détaillées sur le fonctionnement et la sécurité.

REMARQUE : L'autonomie de fonctionnement réelle varie en fonction de l'état de l'herbe : espèces, densité, humidité, etc.

Conseils pour maximiser l'autonomie de fonctionnement

Pour tirer le meilleur parti de votre tondeuse EGO, veuillez respecter les règles suivantes :

- Ne coupez pas plus de 38 mm / 1,5 po d'herbe en une seule passe.
- Déplacez la tondeuse à un rythme modéré.
- Ne coupez pas d'herbe mouillée.
- Assurez-vous que les lames sont bien aiguisées.
- Veillez à ce que le dessous du châssis soit propre.

ACCESSOIRES RECOMMANDÉS

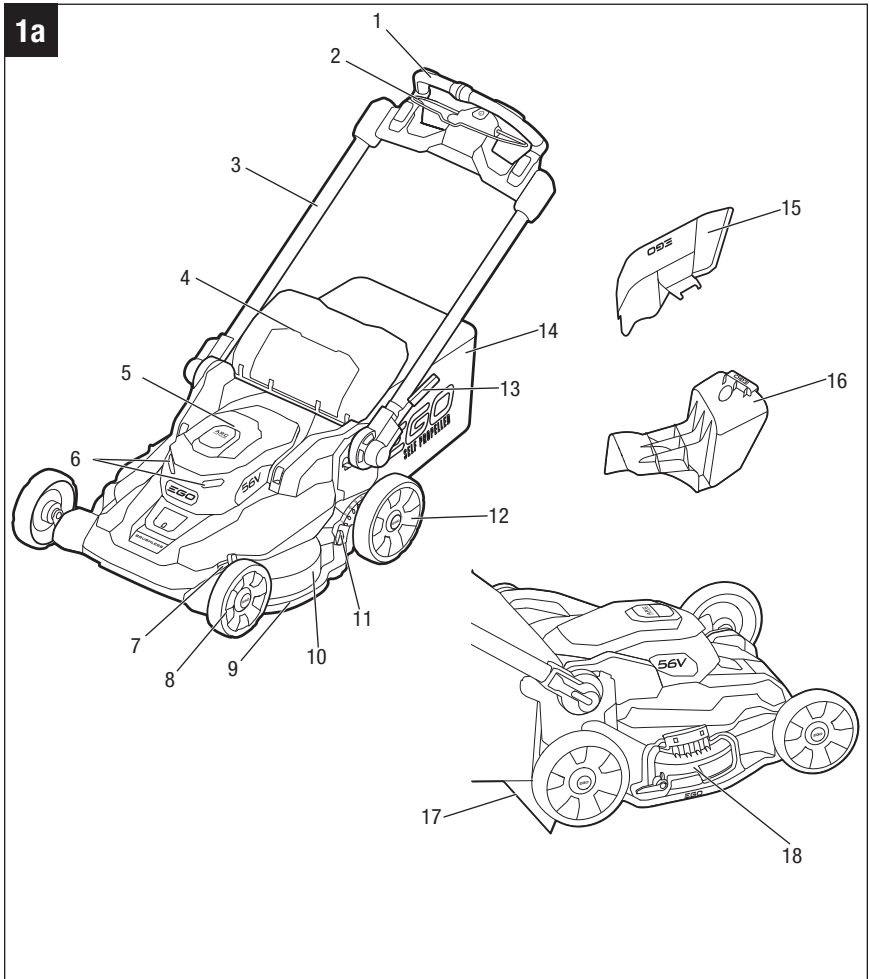
⚠ AVERTISSEMENT Les pièces suivantes sont susceptibles de s'user dans le cadre d'une utilisation normale. Utilisez uniquement les pièces de rechange EGO identiques énumérées ci-dessous. L'utilisation de pièces qui ne répondent pas aux spécifications des équipements d'origine pourrait causer une performance inadéquate et compromettre la sécurité.

NOM DE LA PIÈCE	NUMÉRO DE MODÈLE
Jeu de lames	AB3000D

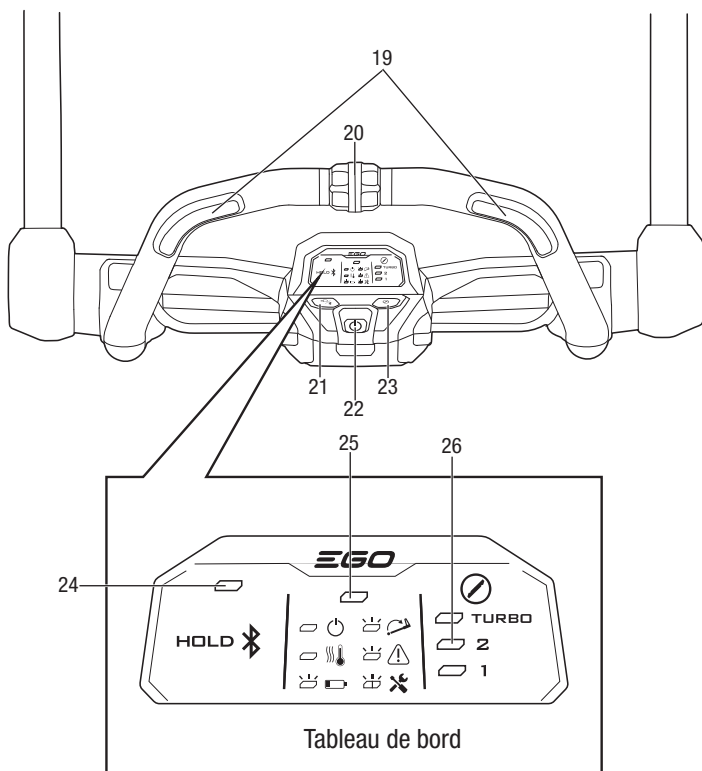
DESCRIPTION

FAMILIARISEZ-VOUS AVEC VOTRE TONDEUSE (Fig. 1a et 1b)

Pour que ce produit puisse être utilisé en toute sécurité, il est nécessaire de comprendre les informations figurant sur la machine et dans son mode d'emploi, et de bien maîtriser le projet que vous voulez réaliser. Avant d'utiliser ce produit, familiarisez-vous avec toutes ses fonctionnalités et les consignes de sécurité qui s'y appliquent.



1b



1. Poignée
2. Interrupteur à levier (levier de l'interrupteur)
3. Rail latéral
4. Porte de la goulotte de décharge arrière
5. Cache du compartiment des piles
6. Phares à DEL
7. Levier de réglage de la hauteur de coupe à l'avant
8. Roue avant
9. Pare-chocs latéral
10. Châssis
11. Levier de réglage de la hauteur de coupe à l'arrière
12. Roue arrière
13. Levier de réglage rapide
14. Sac à herbe
15. Goulotte de décharge latérale
16. Élément amovible pour le déchiquetage
17. Bouclier de protection
19. Porte de la goulotte de décharge latérale
19. Gâchette de déclenchement de l'autopropulsion
20. Molette de réglage de la vitesse d'auto-propulsion
21. Bouton de commande des phares à DEL (bouton Bluetooth®)
22. Bouton de mise sous tension/hors tension
23. Bouton de mode de réglage de la vitesse des lames
24. Indicateur Bluetooth®
25. Indicateur d'état de charge de la tondeuse
26. Indicateur de vitesse des lames

BOUTON DE MISE SOUS TENSION/HORS TENSION

- Lorsque vous appuyez brièvement sur ce bouton, le voyant d'état de la tondeuse et l'indicateur de vitesse de fonctionnement de la lame par défaut (Modèle 2) s'allument.
- Le bouton de mise sous tension/hors tension doit être enfoncé avant que le moteur puisse démarrer.

INTERRUPTEUR À LEVIER

L'interrupteur à levier permet d'activer et de désactiver le moteur de la lame.

GÂCHETTE DE DÉCLENCHEMENT DE L'AUTOPROPULSION

Permet d'activer et de désactiver la fonction d'autopropulsion.

MOLETTE DE RÉGLAGE DE LA VITESSE D'AUTOPROPULSION

Augmentez ou diminuez la vitesse d'autopropulsion.

BOUTON DE MODE DE RÉGLAGE DE LA VITESSE DES LAMES

Ce bouton permet à l'utilisateur de sélectionner la vitesse des lames en fonction de l'état de la pelouse.

BOUCLIER DE PROTECTION ARRIÈRE

Conçu pour réduire le risque de blessures dues à la projection d'objets et/ou au contact avec la lame.

GOULOTTE DE DÉCHARGE LATÉRALE

Guide l'herbe coupée vers la droite de la tondeuse.

ÉLÉMENT AMOVIBLE POUR LE DÉCHIQUETAGE

Pour le déchiquetage de l'herbe.

LEVIER DE RÉGLAGE RAPIDE

Verrouille/déverrouille la position de la poignée lors du réglage de l'angle de la poignée de la tondeuse :

1. Position de rangement verrouillée
2. Position de fonctionnement supérieure
3. Position de fonctionnement intermédiaire
4. Position de fonctionnement inférieure

PHARES À DEL

Les phares à DEL sont situés à l'avant de la tondeuse et fournissent un éclairage pour assurer une meilleure visibilité.

LEVIER DE RÉGLAGE DE LA HAUTEUR DE COUPE À L'AVANT/À L'ARRIÈRE

Permet de régler la hauteur de coupe à l'avant et à l'arrière de la tondeuse individuellement.

INDICATEUR BLUETOOTH®

Indique l'état de la connexion Bluetooth® .

REMARQUE : La marque du mot Bluetooth® et les logos correspondants sont des marques déposées appartenant à Bluetooth SIG, Inc., et toute utilisation de ces marques par EGO est effectuée sous licence.

ASSEMBLAGE

⚠ AVERTISSEMENT Pour empêcher tout démarrage accidentel qui pourrait causer une blessure grave, retirez toujours le(s) bloc-piles de la machine lorsque vous effectuez le montage de pièces.

⚠ AVERTISSEMENT Ne tentez pas de modifier cette machine ou de créer des accessoires qu'il n'est pas recommandé d'utiliser avec cette tondeuse. Une telle altération ou modification constituerait une utilisation abusive et pourrait créer une situation dangereuse entraînant un risque de blessures graves.

DÉBALLAGE

- Retirez les accessoires du carton.

⚠ MISE EN GARDE : Objet lourd. Deux personnes sont nécessaires pour soulever la tondeuse.

- Une personne doit saisir la poignée avant de la tondeuse et l'autre personne doit saisir les parties de la poignée repliée pour soulever avec précaution la tondeuse afin de la sortir du carton.

Assurez-vous que tous les articles indiqués sur la « **LISTE DES PIÈCES** » sont inclus.

- Inspectez attentivement le produit pour vous assurer qu'aucun dommage ou bris de pièce(s) ne s'est produit pendant le transport.
- Ne jetez pas les matériaux d'emballage avant d'avoir inspecté attentivement la tondeuse et de l'avoir mise en marche avec succès.
- Si une pièce quelconque est endommagée ou manquante, rappez la tondeuse dans le magasin où vous l'avez achetée.

LISTE DES PIÈCES

NOM DE LA PIÈCE	QUANTITÉ
Tondeuse à gazon	1
Sac à herbe	1
Cadre du sac à herbe	1
Élément amovible pour le déchiquetage (installé dans la tondeuse à l'usine)	1
Goulotte de décharge latérale	1
Mode d'emploi	1

70

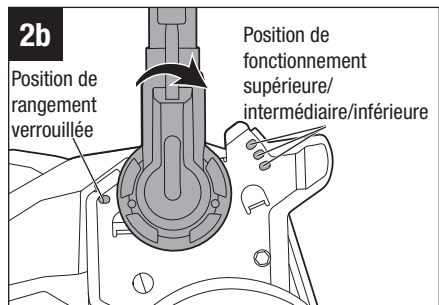
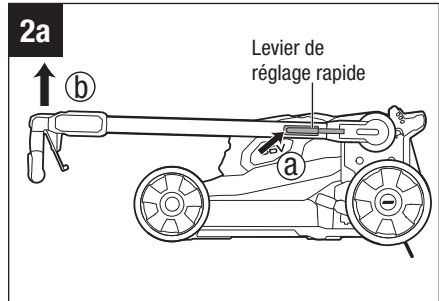
TONDEUSE À GAZON DE 30 PO SANS FIL À PILES AU LITHIUM-ION DE 56 V – LM3000SP/LM3000SP-FC

RÉGLAGE DE LA POIGNÉE PLIABLE

⚠ AVERTISSEMENT Ne tentez pas de faire démarrer la tondeuse à gazon ou la fonction d'autopropulsion avant que la poignée n'ait été verrouillée dans l'une des trois positions de fonctionnement préréglées (POSITION DE FONCTIONNEMENT SUPÉRIEURE, POSITION DE FONCTIONNEMENT MOYENNE ou POSITION DE FONCTIONNEMENT INFÉRIEURE).

Votre tondeuse est expédiée avec la poignée en position de rangement verrouillée compacte (Fig. 2a).

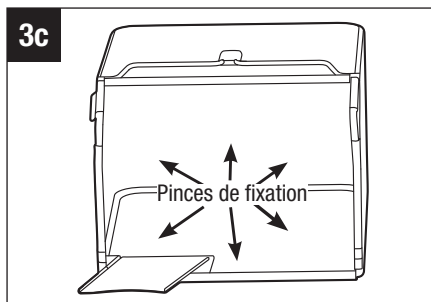
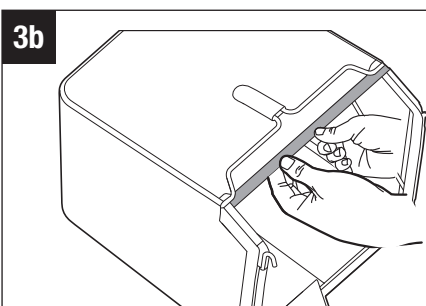
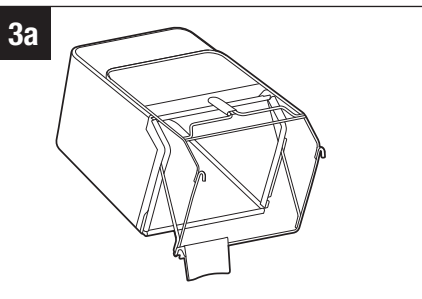
1. Appuyez sur le levier de réglage rapide et maintenez-le enfoncé pour libérer la poignée de la position de rangement verrouillée (Fig. 2a).



2. Soulevez la poignée de sa position repliée (b), puis relâchez le levier. Faites pivoter doucement la poignée vers le haut jusqu'à ce que vous entendiez et sentiez la goupille de verrouillage s'engager dans l'une des trois positions différentes comme cela est montré sur l'illustration de la Fig. 2b.

ASSEMBLAGE DU SAC À HERBE

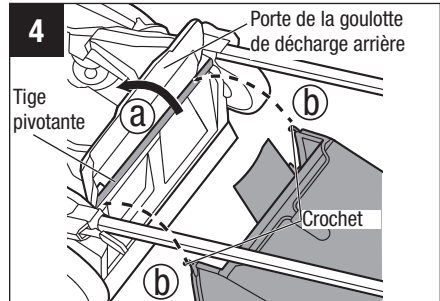
1. Inspectez le sac à herbe avant de l'assembler pour vous assurer qu'il n'est pas endommagé.
2. Faites glisser le sac à herbe sur le cadre, comme illustré à la Fig. 3a.
3. Assemblez la pince du haut sur le cadre, comme illustré à la Fig. 3b, puis assemblez les deux pinces latérales. Assemblez la pince du bas en dernier.
4. Le sac à herbe complètement assemblé est illustré à la Fig. 3c.



ATTACHEMENT/RETRAIT DU SAC À HERBE (FIG. 4)

Utilisez le sac à herbe pour ramasser l'herbe et les feuilles coupées sur la pelouse.

AVERTISSEMENT Retirez l'élément amovible pour le déchiquetage (installé à l'usine) ou la goulotte de décharge latérale avant d'attacher le sac à herbe à la tondeuse.



1. Arrêtez la tondeuse et attendez l'arrêt complet des lames de coupe.
2. Retirez les blocs-piles.
3. Positionnez la tondeuse sur une surface plane.
4. Soulevez la porte de la goulotte de décharge arrière (a).
5. **RETIREZ L'ÉLÉMENT AMOVIBLE POUR LE DÉCHIQUETAGE (INSTALLÉ EN USINE)** et la goulotte de décharge latérale.
6. Insérez d'abord la plaque en acier du sac à herbe dans la tondeuse, puis accrochez le sac à herbe à la tige pivotante (b). Relâchez la porte de la goulotte de décharge arrière de telle sorte qu'elle repose sur le sac à herbe.
7. **Pour retirer le sac à herbe**, soulevez la porte de la goulotte de décharge arrière sur la tondeuse. Soulevez le sac à herbe et retirez-le de la tige pivotante.
8. Ouvrez la porte de la goulotte de décharge arrière.

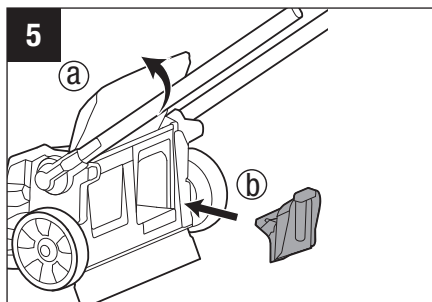
AVERTISSEMENT Lorsque vous utilisez le sac à herbe, n'utilisez jamais la tondeuse à moins que les deux crochets du sac à herbe ne soient fermement sécurisés sur la tige pivotante et que la porte de la goulotte de décharge arrière repose fermement contre le dessus du sac à herbe.

AVERTISSEMENT Dans des conditions d'utilisation normale, le matériau du sac à herbe est sujet à usure. Pour réduire le risque de blessure, inspectez fréquemment le sac à herbe et remplacez-le si vous observez des signes d'usure ou de détérioration. Utilisez seulement des sacs à herbe fabriqués pour cette tondeuse.

FIXATION/RETRAIT DE L'ÉLÉMENT AMOVIBLE POUR DÉCHIQUETAGE (FIG. 5)

Utilisez l'élément amovible pour le déchiquetage pour recycler l'herbe et les feuilles coupées dans la pelouse.

⚠ DANGER La machine peut projeter de l'herbe coupée et d'autres objets par le biais d'une ouverture dans le carter de la machine. Les objets projetés avec suffisamment de force peuvent provoquer des blessures graves, voire mortelles, pour vous ou les personnes présentes.



1. Arrêtez la tondeuse.
2. Retirez les blocs-piles.
3. Positionnez la tondeuse sur une surface plane.
4. Retirez le sac à herbe et la goulotte de décharge latérale.
5. Soulevez la porte de la goulotte de décharge arrière (a).
6. Saisissez la poignée de l'élément amovible pour le déchiquetage et insérez celui-ci complètement dans la tondeuse de telle sorte qu'il soit bien à sa place.
7. Relâchez la porte de la goulotte de décharge arrière et assurez-vous qu'elle repose fermement contre l'élément amovible pour le déchiquetage.
8. **Pour retirer l'élément amovible pour le déchiquetage**, soulevez la porte de la goulotte de décharge arrière, saisissez la poignée de l'élément amovible pour le déchiquetage et tirez dessus pour le faire sortir.
9. Ouvrez la porte de la goulotte de décharge arrière.

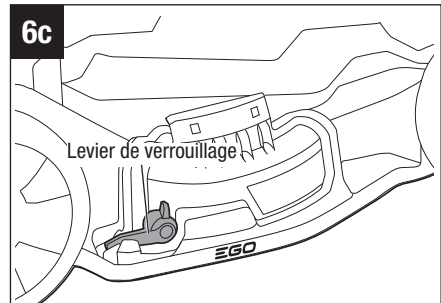
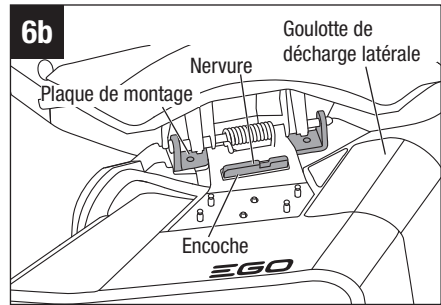
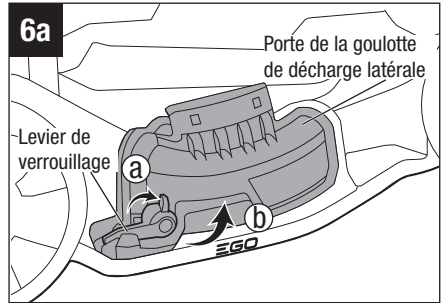
FIXATION/RETRAIT DE LA GOULOTTE DE DÉCHARGE LATÉRALE (FIG. 6a-6c)

Utilisez la goulotte de décharge latérale pour couper l'herbe très haute.

1. Arrêtez la tondeuse.
2. Retirez le(s) bloc(s)-piles.
3. Positionnez la tondeuse sur une surface plane.
4. Soulevez la porte de la goulotte de décharge arrière.
5. Retirez le sac à herbe, sécurisez l'élément amovible pour le déchiquetage et ouvrez la porte de décharge arrière.
6. Appuyez sur le levier de verrouillage (a) de la porte de décharge latérale et maintenez-le enfoncé de manière à ce que le levier soit relevé, puis soulevez la porte de décharge latérale (b).
7. Installez l'encoche de la goulotte de décharge latérale sur la nervure de la plaque de montage. Vérifiez qu'elle est bien sécurisée à sa place.
8. **Pour retirer la goulotte de décharge latérale**, soulevez la porte de la goulotte de décharge latérale, soulevez la goulotte de décharge latérale et tirez dessus pour la faire sortir.

10. Relâchez la porte de décharge latérale pour qu'elle se ferme et rabaissez le levier de verrouillage dans sa position initiale, en veillant à ce que la porte de décharge latérale soit verrouillée.

⚠ AVERTISSEMENT Assurez-vous que l'élément amovible pour le déchiquetage est retiré avant de sécuriser la goulotte de décharge latérale.



RÉGLAGE DE LA HAUTEUR DE COUPE (FIG. 7a & 7b)

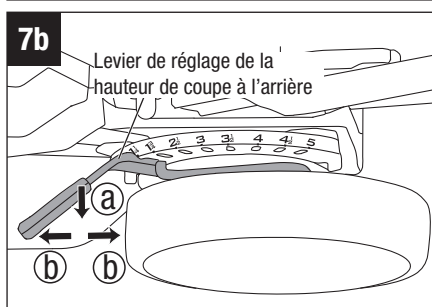
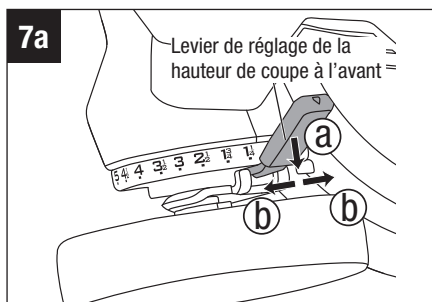
⚠ AVERTISSEMENT Gardez vos pieds à distance du châssis lorsque vous êtes en train d'ajuster la hauteur de coupe.

La tondeuse à gazon peut être réglée sur neuf hauteurs de coupe possibles, comprises entre 25 et 125 mm / 1 et 5 po. Un marquage à côté de chaque mesure de hauteur de coupe indique la hauteur de coupe sélectionnée.

Cette tondeuse vous permet de régler individuellement la hauteur de coupe à l'avant et à l'arrière de la tondeuse.

⚠ AVERTISSEMENT Pour maintenir l'équilibre pendant la tonte, veuillez régler les hauteurs de coupe avant et arrière de manière identique. Par

exemple, la hauteur de coupe de la roue avant est réglée sur 25 mm / 1 po, la hauteur de coupe de la roue arrière DOIT également être réglée sur 25 mm / 1 po. Reportez-vous à la liste ci-dessous, une hauteur incohérente entre la roue avant et la roue arrière peut provoquer des blessures accidentelles et faire basculer le sac à herbe vers le bas.



Réglage de la hauteur de coupe des roues avant	Réglage de la hauteur de coupe des roues arrière
25 mm / 1 po	25 mm / 1 po
33 mm / 1-1/4 po	33 mm / 1-1/4 po
44 mm / 1-3/4 po	44 mm / 1-3/4 po
58 mm / 2-1/2 po	58 mm / 2-1/2 po
72 mm / 3 po	72 mm / 3 po
86 mm / 3-1/2 po	86 mm / 3-1/2 po
101 mm / 4 po	101 mm / 4 po
114 mm / 4-1/2 po	114 mm / 4-1/2 po
125 mm / 5 po	125 mm / 5 po

Choisissez la hauteur de coupe appropriée en fonction du type et de l'état de l'herbe qui doit être coupée.

1. Arrêtez la tondeuse et attendez l'arrêt complet des lames de coupe.
2. Retirez les blocs-piles.
3. Tirez le levier de réglage de la hauteur de coupe avant ou arrière hors du cran (a) et mettez-le dans la position souhaitée (b).

REMARQUE : Pour éviter de surcharger le moteur, évitez de régler la hauteur de coupe trop bas dans l'herbe haute. Si la vitesse du moteur commence à ralentir, augmentez la hauteur de coupe.

FONCTIONNEMENT

⚠ AVERTISSEMENT Retirez toujours le(s) bloc(s)-piles de ce produit lorsque vous assemblez des pièces, effectuez des réglages, faites un nettoyage ou n'utilisez pas le produit. Le retrait du/des bloc(s)-piles empêchera une mise en marche accidentelle qui risquerait de causer des blessures graves.

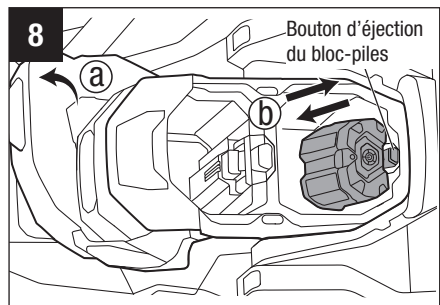
ATTACHEMENT / DÉTACHEMENT DES BLOCS-PILES (FIG. 8)

REMARQUE : Chargez les blocs-piles avant de vous en servir pour la première fois.

REMARQUE : Pour obtenir des performances optimales, nous recommandons d'utiliser des blocs-piles EGO d'une capacité totale de 6 Ah ou plus.

REMARQUE : La tondeuse possède deux blocs-piles actifs. Elle peut fonctionner avec un ou deux blocs-piles. L'utilisation de deux blocs-piles vous permet de bénéficier d'une plus grande autonomie de fonctionnement et d'une consommation d'énergie efficace gérée par la technologie PEAK POWER™.

1. Ouvrez le cache du compartiment des piles en soulevant l'arrière du cache (a).
2. Alignez les rainures dans le bloc-piles sur les nervures du compartiment des piles, puis insérez le bloc-piles dans le compartiment (b).
3. Enfoncez le bloc-piles jusqu'à ce que vous entendiez un déclic. Le bouton d'éjection des piles rebondira une fois que le bloc-piles aura été attaché de façon sécurisée.



4. Répétez l'opération pour installer le deuxième bloc-piles.

REMARQUE : Assurez-vous que le loquet de verrouillage du compartiment des piles se met bien en place et que le bloc-piles est bien assujéti à la tondeuse avant de commencer à l'utiliser.

5. **Pour retirer le bloc-piles**, appuyez sur le bouton d'éjection des piles pour relâcher le bloc-piles, puis tirez dessus pour le faire sortir du compartiment des piles.

6. Répétez l'opération pour détacher le deuxième bloc-piles.

7. Rabattez le cache du compartiment des piles.

SÉLECTION DU MODE DE RÉGLAGE DE LA VITESSE DES LAMES (Fig. 9)

Sélection du mode de réglage de la vitesse des lames

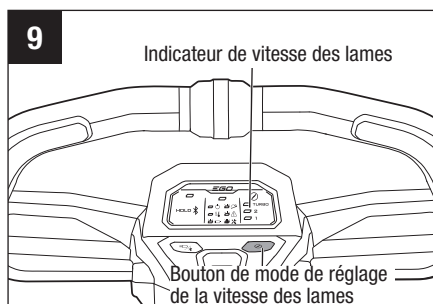
La tondeuse est dotée de trois modes de réglage de la vitesse de rotation des lames :

- Le **mode TURBO** est le mode de réglage de la vitesse des lames le plus rapide et offre des performances de levage élevées pour améliorer la force d'aspiration et les performances de coupe.
- Le **mode 2** est le meilleur équilibre entre les performances et l'autonomie de fonctionnement.
- Le **mode 1** permet d'obtenir le niveau sonore le plus bas et la plus longue autonomie de fonctionnement de votre bloc-piles.

REMARQUE : Une vitesse de rotation plus élevée des lames aura une incidence significative sur l'autonomie de fonctionnement.

Sélectionnez le **mode 1**, le **mode 2** ou le **mode TURBO** en appuyant successivement sur le bouton du mode de réglage de la vitesse de la lame.

REMARQUE : Le mode de vitesse de la lame par défaut est le **mode 2**.



TECHNOLOGIE SANS FIL BLUETOOTH®

Les produits intégrant la technologie sans fil BLUETOOTH® peuvent se connecter à des appareils mobiles.

Pour installer l'application EGO Connect™

1. Téléchargez l'application EGO Connect™ sur votre appareil mobile.
2. Créez un nouveau compte dans l'application EGO Connect™. Si vous avez déjà un compte, passez à l'étape 4.
3. Un courriel sera envoyé à l'adresse électronique enregistrée. Suivez les instructions contenues dans le courriel pour valider votre compte.
4. Connectez-vous à votre compte EGO dans l'application EGO Connect™.

Pour coupler l'application EGO Connect™ et le produit

Appuyez sur le bouton Bluetooth® et maintenez-le enfoncé pendant 5 secondes, puis attendez que le produit se connecte. Le voyant Bluetooth® clignote en bleu pendant le couplage.

L'indicateur Bluetooth® s'allume en bleu fixe lorsque le produit est connecté à votre appareil mobile.

Suivez les instructions de l'application EGO Connect™.

MISE EN MARCHÉ / ARRÊT DE LA TONDEUSE À GAZON

⚠ AVERTISSEMENT Pendant leur fonctionnement, les tondeuses à gazon peuvent projeter des corps étrangers dans les yeux de leur utilisateur ou d'autres personnes et leur infliger de graves blessures aux yeux. Portez toujours des lunettes de sécurité lorsque vous utilisez la tondeuse ou pendant que vous réalisez de quelconques réglages ou réparations sur la tondeuse.

⚠ AVERTISSEMENT Veillez à ce que les autres personnes et les animaux domestiques restent à une distance d'au moins 30 m / 100 pi de la tondeuse lorsqu'elle est utilisée.

AVIS Les lames continuent à tourner pendant quelques secondes après l'arrêt du moteur de la tondeuse. Attendez que le moteur/les lames cesse(nt) de tourner avant de remettre le moteur en marche. Ne mettez pas la tondeuse en marche et à l'arrêt en succession rapide.

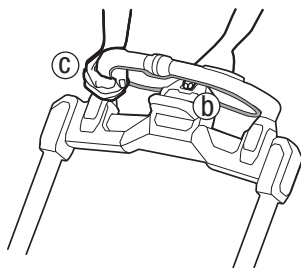
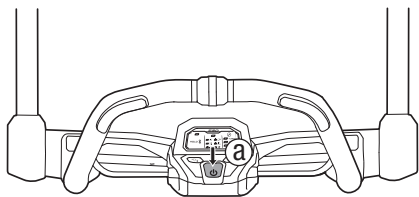
⚠ MISE EN GARDE : Ne tentez pas de changer les paramètres de fonctionnement du bouton de mise sous tension/hors tension et de l'interrupteur à levier.

REMARQUE : La tondeuse ne peut être mise en marche que si la poignée est verrouillée dans l'une des trois positions de fonctionnement.

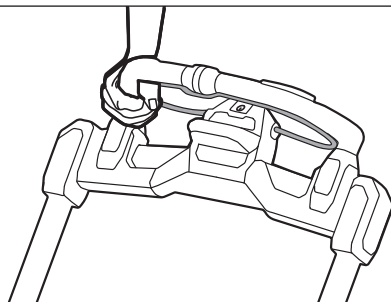
Mise en marche de la tondeuse (Fig. 10a & 10b)

1. Attachez les blocs-piles à la tondeuse et fermez le cache du compartiment des piles.
2. Appuyez sur le bouton d'alimentation (a) pour allumer le tableau de bord et l'indicateur d'état de fonctionnement de la tondeuse. L'indicateur de vitesse de la lame pour le **mode 2** s'allume.
3. Appuyez sur le bouton du mode de réglage de la vitesse des lames pour sélectionner la vitesse souhaitée. Reportez-vous à la section intitulée « **Sélection du mode de réglage de la vitesse des lames** » de ce mode d'emploi.
4. Appuyez sur le bouton d'alimentation (b) et maintenez-le enfoncé.
5. Tout en maintenant le bouton de mise sous tension/hors tension enfoncé, tirez sur l'interrupteur à levier pour entrer en contact avec la poignée (c). La tondeuse se mettra alors en marche.
6. Relâchez le bouton de mise sous tension/hors tension.

10a

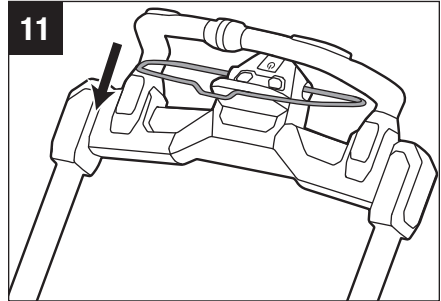


10b



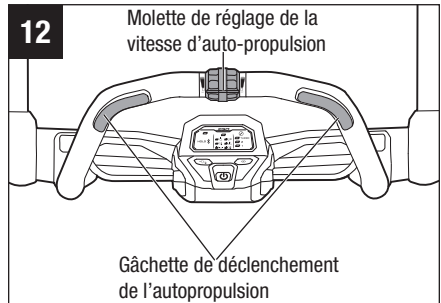
Pour arrêter la tondeuse à gazon (Fig. 11)

1. Relâchez complètement l'interrupteur à levier.
2. Le frein électrique du Mécanisme de freinage automatique arrêtera la rotation de la lame dans les trois secondes suivant le relâchement de l'interrupteur à levier.



SYSTÈME D'AUTO-PROPULSION À VITESSE VARIABLE (Fig. 12)

La tondeuse est équipée d'une fonctionnalité d'autopropulsion à vitesse variable. Pour augmenter la vitesse, tournez la molette de réglage de la vitesse d'autopropulsion vers l'avant. Pour diminuer la vitesse, tournez la molette de réglage de la vitesse d'autopropulsion vers l'arrière.



AVIS La fonction d'autopropulsion est désactivée lorsque la molette de réglage de la vitesse d'autopropulsion est tournée vers l'arrière jusqu'à la position la plus basse.

LORSQUE LA TONDEUSE EST EXPÉDIÉE, LE SÉLECTEUR DE VITESSE EST RÉGLÉ EN USINE SUR LA POSITION LA PLUS BASSE. Avant d'activer la fonction d'autopropulsion pour la première fois, tournez légèrement la molette de réglage de la vitesse d'autopropulsion vers l'avant.

Ce système d'autopropulsion est indépendant de la rotation des lames. Par exemple, lorsque vous avez fini de tondre votre pelouse, vous pouvez utiliser le système d'autopropulsion pour reconduire la tondeuse jusqu'à votre emplacement de rangement sans rotation de la lame. Vous pouvez également choisir d'utiliser la tondeuse comme une tondeuse non autopropulsée pour maximiser l'autonomie de fonctionnement des piles.

Pour faire fonctionner le système d'autopropulsion sans rotation des lames

Tournez légèrement la molette de réglage de la vitesse d'autopropulsion vers l'avant jusqu'à ce qu'un déclic se fasse entendre, puis appuyez sur la gâchette ou les gâchettes d'autopropulsion. Il y a deux gâchettes d'autopropulsion, et l'une ou l'autre peut être enfoncée pour faire démarrer la fonction d'autopropulsion.

Pour arrêter l'autopropulsion, relâchez la gâchette d'autopropulsion.

Pour faire fonctionner le système d'autopropulsion avec rotation des lames

1. Appuyez sur le bouton de mise sous tension/hors tension pour éclairer le tableau de bord.
2. Appuyez sur le bouton du mode de réglage de la vitesse des lames pour sélectionner la vitesse souhaitée.
3. Appuyez sur le bouton de mise sous tension/hors tension et maintenez-le enfoncé.
4. Une fois le bouton de mise sous tension/hors tension enfoncé, tirez l'interrupteur à levier contre la poignée pour mettre la tondeuse en marche, puis relâchez le bouton de mise sous tension/hors tension.
5. Tenez l'interrupteur à levier contre la poignée avec l'une de vos mains. Appuyez sur l'une des gâchettes d'autopropulsion pour faire démarrer la fonction d'autopropulsion.
6. En tenant d'une main l'interrupteur à levier et la gâchette d'autopropulsion contre la poignée, utilisez l'autre main pour régler la molette de réglage de la vitesse d'autopropulsion afin de choisir la vitesse désirée.

AVIS Lorsque vous arrêtez la fonction d'autopropulsion, par exemple à la fin d'une rangée, les roues peuvent se bloquer temporairement si vous tentez de tirer la tondeuse en arrière. Il suffit alors de pousser légèrement vers l'avant, puis de déplacer la tondeuse selon les besoins.

AVIS Il peut parfois être plus facile de tondre autour d'un objet lorsque la fonction d'autopropulsion est désactivée.

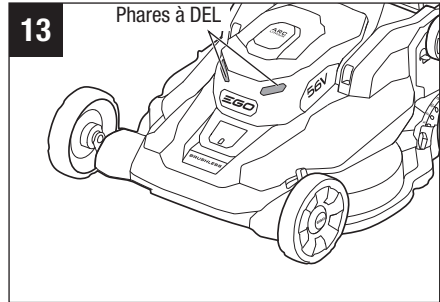
⚠ AVERTISSEMENT Pour réduire le risque de blessure, n'essayez jamais de neutraliser le fonctionnement de l'interrupteur à levier ou de la gâchette d'autopropulsion. N'utilisez le système d'autopropulsion que pour l'usage auquel il est destiné.

PHARES À DEL (Fig. 13)

Les phares à DEL sont situés à l'avant de la tondeuse (Fig. 13).

Pour allumer les phares, appuyez sur le bouton des phares à DEL. Les phares éclairent bien l'avant de la tondeuse.




Pour éteindre les phares, appuyez à nouveau sur le bouton des phares à DEL.



INDICATEURS D'ÉTAT DE FONCTIONNEMENT DE LA TONDEUSE (VOIR Fig. 1b)

L'indicateur d'état de fonctionnement de la tondeuse sur le tableau de bord indique l'état de fonctionnement de la tondeuse.

Indicateur	Description	Signification	Action
	Vert constant	La tondeuse fonctionne correctement.	Aucune action n'est requise.
	Vert clignotant	La poignée n'est pas verrouillée dans l'une des positions de fonctionnement.	Arrêtez la tondeuse et assurez-vous que la poignée est verrouillée dans l'une des trois positions de fonctionnement.
	Vert clignotant	Faible charge des piles.	Arrêtez la tondeuse et chargez le(s) bloc(s)-piles.

Indicateur	Description	Signification	Action
	Orange constant	La tondeuse est en surchauffe.	Relâchez l'interrupteur à levier et attendez que la température de la tondeuse descende en dessous de 80 °C / 176 °F. Voir la section intitulée « PROTECTION DE LA TONDEUSE CONTRE LES HAUTES TEMPÉRATURES » ci-dessous.
	Orange clignotant	La tondeuse est surchargée.	<ol style="list-style-type: none"> 1. Retirez le(s) bloc(s)-piles, puis vérifiez si de l'herbe s'est accumulée sous le châssis. Nettoyez si nécessaire. 2. Ralentissez le rythme de tonte et/ou la vitesse des lames. 3. Élevez la hauteur de coupe. 4. Si aucune de ces solutions ne remédie au problème, veuillez contacter le service à la clientèle d'EGO. <p>Voir la section intitulée « PROTECTION DE LA TONDEUSE CONTRE LES SURCHARGES » ci-dessous.</p>
	Clignotement alternatif rouge/vert	Erreur de l'électronique de la tondeuse.	Contactez le service à la clientèle d'EGO.

PROTECTION DE LA TONDEUSE CONTRE LES HAUTES TEMPÉRATURES

Si la température de la tondeuse dépasse 90 °C / 194 °F pendant le fonctionnement, le circuit de protection contre les températures excessives arrête immédiatement la tondeuse pour éviter les dommages dus à la surchauffe.

L'indicateur d'état de fonctionnement de la tondeuse s'allume et brille en orange constant. Relâchez la gâchette de rotation des lames et attendez que la tondeuse surchauffée refroidisse et que l'indicateur d'état de fonctionnement redevienne vert. Redémarrez ensuite la tondeuse.

PROTECTION DE LA TONDEUSE CONTRE LES SURCHARGES

Pour éviter toute surcharge, n'essayez pas d'enlever une trop grande quantité d'herbe à la fois. Ralentissez votre rythme de tonte ou augmentez la hauteur de coupe.

Votre tondeuse est équipée d'un circuit de protection contre les surcharges. Lorsque la tondeuse est surchargée, le moteur s'arrête et l'indicateur d'état de fonctionnement de la tondeuse sur le tableau de bord clignote en orange.

CONSEILS POUR LA TONTE

AVIS Des lames bien affûtées améliorent considérablement les performances de la tondeuse, en particulier lorsqu'il s'agit de couper de l'herbe haute. Veillez à vérifier l'affûtage des lames avant de commencer à tondre.

- Vérifiez qu'il n'y a pas de grosses pierres, de bâtons, de fils de fer ou d'autres objets sur la pelouse qui risqueraient d'endommager la tondeuse à gazon ou son moteur. De tels objets risqueraient d'être projetés accidentellement par la tondeuse dans une direction imprévisible et causer des blessures graves à l'opérateur ou à d'autres personnes.

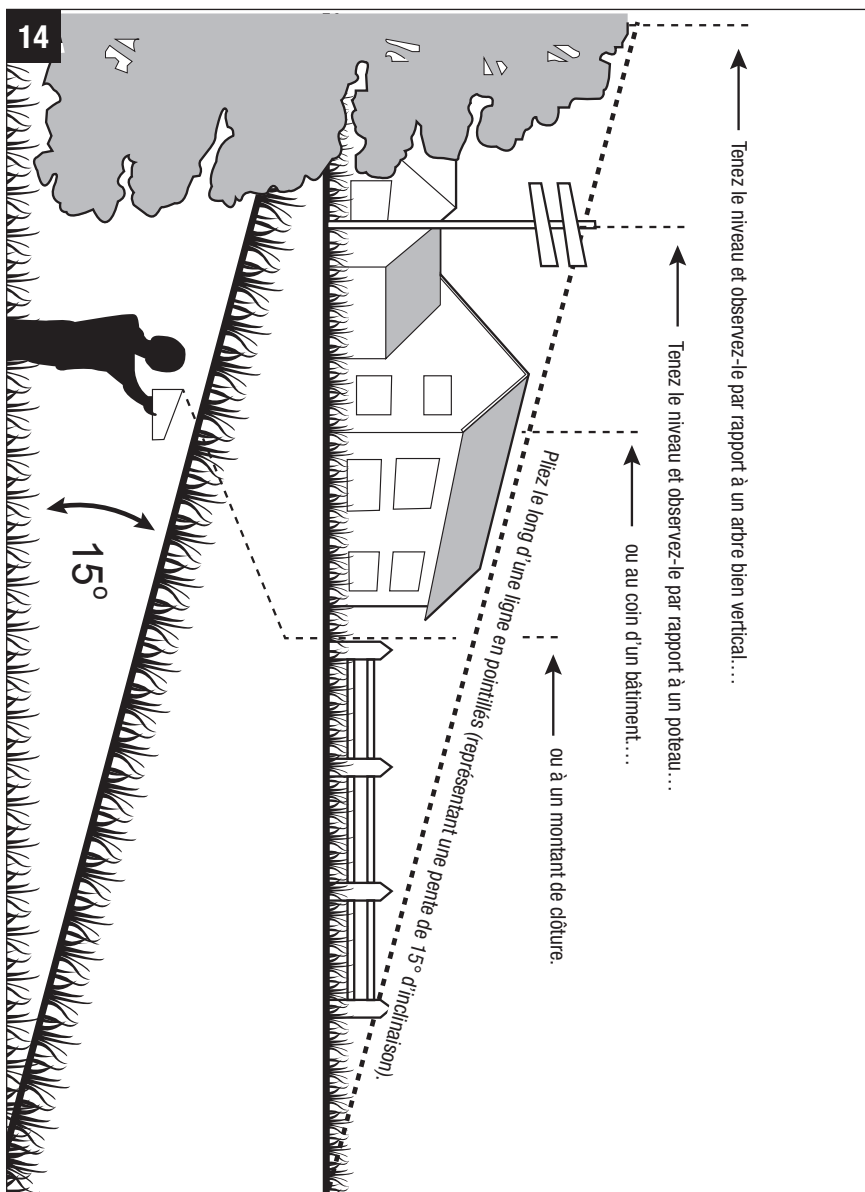
AVERTISSEMENT Si vous heurtez un corps étranger, arrêtez le moteur et retirez les piles. Inspectez attentivement la tondeuse pour voir si elle a subi un dommage, et réparez-la avant de la remettre en marche et de l'utiliser. Des vibrations excessives de la tondeuse pendant son fonctionnement sont une indication de dommages. La tondeuse doit alors être inspectée et réparée dans les meilleurs délais.

- Pour obtenir les meilleurs résultats possibles, ne tondez pas en cercles. Faites plutôt des allers et retours à travers la pelouse.
- Lorsque vous coupez de l'herbe épaisse, réduisez la vitesse de conduite pour assurer une coupe plus efficace et une décharge appropriée de l'herbe coupée.
- Pour maintenir une pelouse en bon état, coupez seulement un tiers ou moins de la hauteur totale de l'herbe. En règle générale, le gazon doit avoir une hauteur d'environ 38 mm à 53 mm / 1-1/2 po à 2 po pendant les mois frais, et entre 53 et 83 mm / 2 po et 3-1/4 po pendant les mois très chauds.

JAUGE DE PENTE (Fig. 14)

AVERTISSEMENT Ne tondez pas le gazon sur une pente ayant une inclinaison de plus de 15 degrés (montant d'environ 0,75 m / 2-1/2 pi tous les 3 m / 10 pi). Tondez horizontalement / latéralement sur des pentes ; ne tondez jamais vers le haut ou vers le bas.

Utilisez la Fig. 14 comme guide pour identifier les pentes qui ne peuvent pas être tondues en toute sécurité.



CONSEILS RELATIFS AU DÉCHIQUETAGE

⚠ AVERTISSEMENT Inspectez la zone où vous comptez utiliser la tondeuse, et retirez les pierres, les bâtons, les fils de fer et autres débris qui pourraient être projetés par des lames en rotation.

- Relâchez l'interrupteur à levier pour arrêter la tondeuse lorsque vous traversez une surface couverte de gravier – des pierres pourraient être projetées par des lames en rotation.
- Réglez la tondeuse sur la hauteur de coupe la plus haute lorsque vous avancez sur un terrain irrégulier ou avec des herbes hautes.
- Pour effectuer un déchiquetage efficace, ne coupez pas d'herbe mouillée ; l'herbe mouillée a tendance à adhérer au dessous du châssis, ce qui nuit au déchiquetage approprié des morceaux d'herbe coupés . Le meilleur moment pour tondre du gazon est vers la fin de l'après-midi, lorsque l'herbe est sèche et lorsque la zone à tondre ne sera pas exposée à la lumière directe du soleil.
- Pour obtenir la meilleure performance de déchiquetage possible, réglez la hauteur de coupe de façon à pouvoir retirer environ un tiers de la longueur des brins d'herbe, dans l'idéal pas plus de 38 mm / 1-1/2 po à la fois. Si l'herbe de la pelouse est trop haute, il peut être nécessaire d'élever la hauteur de coupe pour permettre de tondre plus facilement et pour ne pas risquer de surcharger le moteur. Ralentissez la vitesse lorsque l'herbe est très haute ou très épaisse. Pour déchiqueter de l'herbe extrêmement épaisse ou haute, il est conseillé de commencer à tondre à une hauteur de coupe élevée, puis de tondre à nouveau la même zone à une hauteur de coupe plus basse. ASSUREZ-VOUS TOUJOURS QUE LES LAMES SONT BIEN AFFÛTÉES.

ENTRETIEN

⚠ AVERTISSEMENT Pour éviter des blessures graves, retirez toujours les blocs-piles de la tondeuse lorsque vous la nettoyez ou quand vous effectuez des travaux de maintenance.

⚠ AVERTISSEMENT Lors de toute réparation, n'utilisez que des pièces de rechange identiques. L'utilisation de toutes autres pièces de rechange pourrait créer un danger ou endommager le produit. Pour assurer la sécurité et la fiabilité, toutes les réparations doivent être effectuées par un technicien de service qualifié.

NETTOYAGE DE LA TONDEUSE

⚠ AVERTISSEMENT Retirez toujours le(s) bloc(s)-piles de la tondeuse lorsque vous la nettoyez ou quand vous effectuez des travaux de maintenance. Le dessous du châssis de la tondeuse doit être nettoyé après chaque utilisation, car l'herbe coupée, les feuilles, les saletés et d'autres débris s'accumulent. Cette accumulation n'est pas souhaitable ; elle favorise la rouille et la corrosion. Enlevez toute accumulation d'herbe et de feuilles sur l'arbre d'entraînement ou autour de l'arbre d'entraînement, ainsi qu'autour du ventilateur du moteur (n'utilisez pas d'eau). Frottez la tondeuse avec un tissu humide pour la nettoyer.

REMPACEMENT DES LAMES

⚠ AVERTISSEMENT Une lame usée, fissurée ou endommagée peut se casser, et des morceaux de la lame endommagée peuvent devenir des projectiles dangereux. La projection d'objets peut causer des blessures graves. Inspectez régulièrement les lames et ne vous servez pas de la tondeuse si une lame est usée ou endommagée.

⚠ AVERTISSEMENT Protégez-vous toujours les mains en portant des gants épais ou en enveloppant les bords coupants avec des chiffons ou d'autres matériaux lorsque vous effectuez des opérations de maintenance sur la lame de la tondeuse à gazon. Retirez toujours le(s) bloc(s)-piles lorsque vous effectuez une opération d'entretien ou lorsque vous transportez la tondeuse à gazon.

AVIS Les outils suivants (non inclus) sont nécessaires pour remplacer les lames :

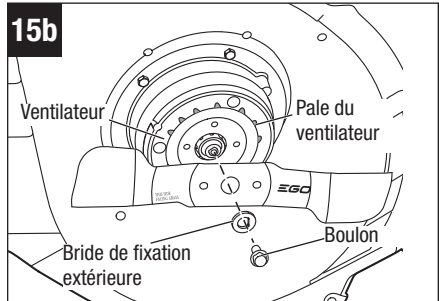
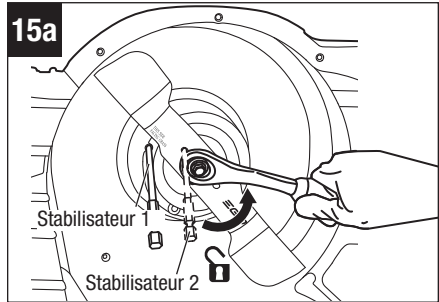
- Clé réglable de 14 mm / 9/16 po (une clé à chocs avec une douille de 14 mm / 9/16 po est recommandée)
- Clé dynamométrique de 14 mm / 9/16 po
- Tournevis manuel ou tige en métal d'un diamètre de 6,35 mm / 1/4 po ou moins
- Tournevis manuel ou tige en métal d'un diamètre de 8 mm / 5/16 po ou moins

Retrait des lames

1. Arrêtez le moteur, puis retirez le(s) bloc-piles et le sac à herbe de la tondeuse à gazon.
2. Mettez la tondeuse sur son côté.
3. Insérez une tige en métal (stabilisateur 1) de 8 mm / 5/16 po de diamètre ou un peu moins dans le trou du stabilisateur pour empêcher la lame de tourner lorsque l'on desserre le boulon.
4. Utilisez la clé de 14 mm / 9/16 po pour faire tourner le boulon de la lame **DANS LE SENS INVERSE DES AIGUILLES D'UNE MONTRE** afin de desserrer et de retirer le boulon (Fig. 15a).

AVIS Si le boulon tourne avec l'arbre du moteur pendant que vous êtes en train de le desserrer, placez une autre tige en métal de diamètre légèrement inférieur à 6,35 mm / 1/4 po à l'intérieur des trous alignés de la lame et du ventilateur pour servir de stabilisateur 2.

5. Retirez la bride de fixation extérieure et la lame (Fig. 15b).
6. Laissez le ventilateur sur l'arbre du moteur. Assurez-vous que la pale du ventilateur pointe vers le pont (Fig. 15b).

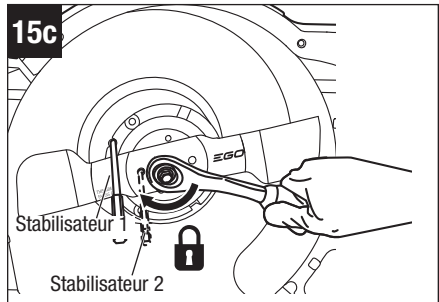


Remplacement des lames

AVIS Pour réinstaller ou remplacer les lames, assurez-vous que toutes les pièces sont remises en place dans l'ordre exact dans lequel elles avaient été retirées.

7. Positionnez la lame sur la bride de fixation intérieure du ventilateur, la surface de la lame sur laquelle figure la mention « **THIS SIDE**

FACING GRASS » (Ce côté face à l'herbe) étant orientée vers l'extérieur.



8. Alignez la bride de fixation extérieure sur l'arbre et assemblez-la en place.
9. Montez le boulon dans l'arbre et serrez le boulon à la main **DANS LE SENS DES AIGUILLES D'UNE MONTRE**.
10. Insérez la tige en métal comme illustré à la Fig. 15c.
11. Utilisez une clé dynamométrique de 14 mm / 9/16 po pour serrer le boulon **DANS LE SENS DES AIGUILLES D'UNE MONTRE**. Le couple recommandé pour le boulon de fixation de la lame est de 50-60 Nm / 36-43 pi-lb.
12. Répétez l'opération pour remplacer la deuxième lame.

AVIS Si le boulon tourne avec l'arbre du moteur pendant que vous êtes en train de le serrer, placez une autre tige en métal de diamètre légèrement inférieur à 6,35 mm / 1/4 po pour servir de stabilisateur 2.

AFFÛTAGE DES LAMES

Une lame émoussée peut être affûtée, mais une lame excessivement usée, pliée, fissurée ou autrement endommagée doit être remplacée. Une lame usée ou endommagée peut se briser, et des morceaux de lame peuvent être projetés hors de la tondeuse.

Si une lame est déformée, faites inspecter la tondeuse par un centre de service agréé EGO. N'essayez jamais de redresser une lame tordue en la chauffant, ni de souder une lame fissurée ou cassée.

⚠ AVERTISSEMENT Protégez-vous toujours les mains en portant des gants épais ou en enveloppant les bords coupants avec des chiffons ou d'autres matériaux lorsque vous effectuez des opérations de maintenance sur la lame de la tondeuse à gazon. Retirez toujours les blocs-piles lorsque vous effectuez une opération d'entretien ou lorsque vous transportez la tondeuse à gazon.

⚠ AVERTISSEMENT Utilisez une protection oculaire appropriée lorsque vous retirez, affûtez et installez les lames.

⚠ AVERTISSEMENT Une lame usée, fissurée ou endommagée peut se casser, et des morceaux de la lame endommagée peuvent devenir des projectiles dangereux. La projection d'objets peut causer des blessures graves. Inspectez régulièrement les lames et ne vous servez pas de la tondeuse si une lame est usée ou endommagée.

AVIS Gardez les lames affûtées pour obtenir les meilleures performances de coupe possibles. Une lame émoussée ne permet pas de couper l'herbe proprement ni de déchiqueter correctement.

Fréquence d'affûtage

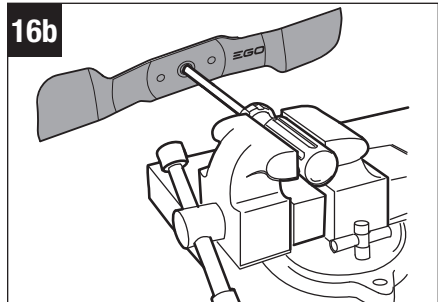
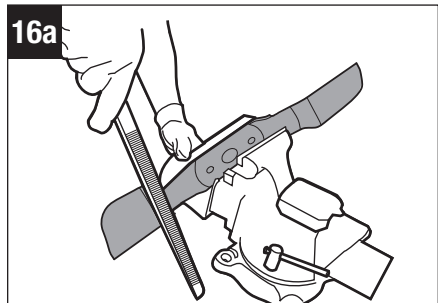
Il suffit généralement d'affûter la lame à deux reprises pendant une saison de tonte dans des circonstances normales. Le sable émousse rapidement une lame ; si votre pelouse pousse sur un sol avec beaucoup de sable, un affûtage plus fréquent peut être nécessaire.

Lors de l'affûtage des lames :

- Assurez-vous que la lame est bien équilibrée.
- Affûtez la lame de coupe à l'angle de coupe d'origine.
- Affûtez les bords de coupe aux deux extrémités de la lame en retirant une quantité de matériau égale à chaque extrémité.

Pour affûter une lame dans un étau :

1. Retirez la lame de la tondeuse.
2. Sécurisez la lame dans un étau (Fig. 16a).
3. Portez une protection des yeux appropriée ainsi que des gants, et faites attention de ne pas vous couper.
4. Affûtez les bords de coupe de la lame avec précaution en utilisant une lime à dents fines ou une pierre à aiguiser, et veillez à conserver l'angle du bord de coupe d'origine.
5. Pour vérifier l'équilibre d'une lame : fixez un clou ou un tournevis à tige ronde en position horizontale. Positionnez la lame de manière à ce que le clou ou la tige



ronde du tournevis soutienne la lame par son trou central. Équilibrez la lame horizontalement. Si l'une des extrémités de la lame tourne vers le bas, retirez un peu de métal de l'extrémité la plus lourde ou inférieure jusqu'à ce que la lame soit équilibrée. Elle est équilibrée lorsqu'aucune des deux extrémités ne donne l'impression de s'affaisser (Fig. 16b).

6. Remettez la lame sur la tondeuse et serrez-la bien.

⚠ AVERTISSEMENT Une lame mal équilibrée causera des vibrations excessives quand elle tournera à une vitesse élevée. Elle pourrait endommager la tondeuse et se casser, causant éventuellement des blessures.

LUBRIFICATION DE LA TONDEUSE

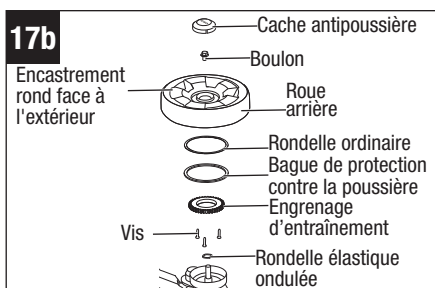
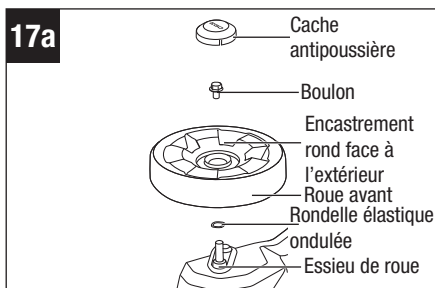
Tous les roulements de ce produit sont lubrifiés avec une quantité suffisante de lubrifiant de haute qualité pour la durée de vie de la machine si elle est utilisée dans des conditions de fonctionnement normales. Par conséquent, aucune lubrification supplémentaire des roulements n'est nécessaire.

REMPACEMENT DES ROUES (Fig. 17a, 17b)

⚠ AVERTISSEMENT Retirez toujours les blocs-piles lorsque vous effectuez une opération d'entretien ou lorsque vous transportez la tondeuse à gazon.

1. Tournez la tondeuse sur le côté, avec la partie supérieure contre un mur.
2. Utilisez un tournevis à lame plate (non inclus) pour dégager le cache antipoussière de la roue.
3. Utilisez une clé réglable ou une clé de 13 mm / 1/2 po pour tourner le boulon dans le sens inverse des aiguilles d'une montre afin de le desserrer.

4. Retirez le boulon, la roue usée et la rondelle ondulée de l'axe de la roue.



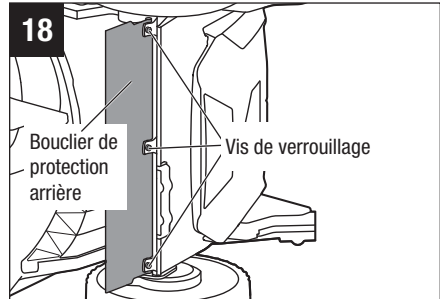
REMARQUE :

- Lorsque vous remplacez la roue arrière, retirez la rondelle ordinaire, la rondelle à poussière et le pignon d'entraînement de la roue usée, et montez-les sur la nouvelle roue à l'aide des trois vis en utilisant un tournevis Torx T20 (non inclus).
- 5. Montez la rondelle ondulée et la nouvelle roue sur l'arbre de roue. Notez que l'évidement rond doit être tourné vers l'extérieur.
- 6. Sécurisez la roue avec le boulon en serrant le boulon dans le sens des aiguilles d'une montre.
- 7. Montez le cache-poussière sur la roue et appuyez dessus pour le mettre en place.

REMPLACEMENT DU BOUCLIER DE PROTECTION ARRIÈRE Fig.18)

⚠ AVERTISSEMENT Retirez toujours les blocs-piles lorsque vous effectuez une opération d'entretien ou lorsque vous transportez la tondeuse à gazon.

⚠ AVERTISSEMENT N'utilisez jamais la tondeuse si le bouclier de protection arrière n'est pas en place et ne fonctionne pas. N'utilisez jamais la tondeuse si certains de ses dispositifs de sécurité sont endommagés. Sinon, vous risqueriez de causer des blessures. Le bouclier de protection arrière est sujet à l'usure et aux dommages, ce qui pourrait exposer les pièces mobiles ou permettre la projection d'objets. Pour des raisons de sécurité, vérifiez fréquemment le bouclier de protection arrière et remplacez-le immédiatement s'il est usé ou endommagé par une pièce de rechange identique indiquée dans ce mode d'emploi.



1. Retirez le(s) bloc(s)-piles.
2. Tournez la tondeuse sur le côté, avec la partie supérieure contre un mur.
3. Utilisez un tournevis Torx T20 (non inclus) pour desserrer et retirer les trois vis de verrouillage du bouclier de protection arrière ; retirez le bouclier de protection arrière usé (Fig. 18).
4. Remplacez-le par un nouveau bouclier de protection arrière et fixez-le avec les trois vis de blocage.

RANGEMENT DE LA TONDEUSE

Les mesures suivantes doivent être prises pour préparer la tondeuse à gazon en vue de son stockage.

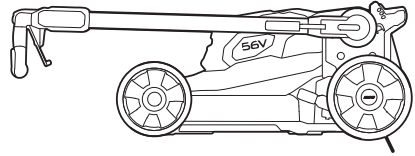
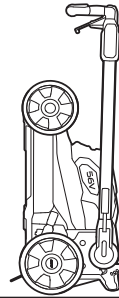
1. Retirez le(s) bloc(s)-piles de la tondeuse et rangez-le(s) à température ambiante dans un endroit sec.
2. Videz le sac à herbe avant de le ranger.
3. Laissez toujours la tondeuse refroidir avant de la ranger.
4. Nettoyez la tondeuse comme décrit précédemment dans la section consacrée à la **MAINTENANCE**.
5. Inspectez la lame (ou les lames) et remplacez-la ou affûtez-la si nécessaire.
6. Rangez la tondeuse dans un endroit sec et propre. Ne la rangez pas à côté de matériaux corrosifs tels que des engrais ou du sel gemme.
7. Rangez la tondeuse dans un endroit couvert et fermé, frais et sec, hors de portée des enfants.
8. Ne couvrez pas la tondeuse à gazon avec une feuille de plastique solide. Les emballages en plastique capturent l'humidité autour de la tondeuse, ce qui produit de la rouille et de la corrosion.

La poignée peut être complètement repliée pour être rangée :

1. Retirez le sac à herbe.
2. Ajustez le levier de réglage de la hauteur de coupe avant/arrière sur la hauteur la plus basse.
3. Rabattez la poignée en position de rangement verrouillée. Reportez-vous à la section intitulée « **RÉGLAGE DE LA POIGNÉE PLIABLE** » plus haut dans ce mode d'emploi.

4. Rangez la tondeuse à plat ou en position verticale (Fig. 19a & 19b).

⚠ AVERTISSEMENT Si la tondeuse bascule depuis la position verticale, elle risque d'être endommagée ou de provoquer des blessures. Gardez toujours la tondeuse stable et hors de portée des enfants lorsqu'elle est en position verticale. Il est fortement recommandé de toujours mettre la tondeuse à plat pour la ranger.

19a**19b**

RECHERCHE DE LA CAUSE DES PROBLÈMES

PROBLÈME	CAUSE	SOLUTION
La tondeuse ou le système d'autopropulsion ne démarre pas.	<ul style="list-style-type: none"> Le(s) bloc(s)-piles est/sont déchargé(s). 	<ul style="list-style-type: none"> Chargez le(s) bloc(s)-piles.
	<ul style="list-style-type: none"> Le(s) bloc(s)-piles n'a/n'ont pas été inséré(s) correctement dans le compartiment des piles. 	<ul style="list-style-type: none"> Insérez le bloc-piles dans compartiment des piles et appuyez dessus jusqu'à ce que vous entendiez un dé clic.
	<ul style="list-style-type: none"> La poignée n'est pas verrouillée en position de fonctionnement, et le voyant d'état de fonctionnement de la tondeuse clignote en vert. 	<ul style="list-style-type: none"> Arrêtez la tondeuse et assurez-vous que la poignée est verrouillée dans l'une des trois positions de fonctionnement.
	<ul style="list-style-type: none"> Le châssis de la tondeuse est encombré par de l'herbe et des débris. 	<ul style="list-style-type: none"> Nettoyez le châssis de la tondeuse et assurez-vous que la lame tourne librement.
	<ul style="list-style-type: none"> Le sélecteur de vitesse d'autopropulsion est sur la position la plus basse (OFF). 	<ul style="list-style-type: none"> Tournez légèrement la molette de réglage de la vitesse d'autopropulsion vers l'avant, puis appuyez sur la gâchette d'autopropulsion.
La tondeuse coupe de manière irrégulière.	<ul style="list-style-type: none"> La lame/les lames est/sont émoussée(s). 	<ul style="list-style-type: none"> Affûtez la/les lame(s) ou remplacez-la/les.
	<ul style="list-style-type: none"> La hauteur de coupe de l'herbe n'est pas réglée correctement. 	<ul style="list-style-type: none"> Réglez la hauteur du châssis à un niveau plus élevé.
	<ul style="list-style-type: none"> La/Les lame(s) est/sont mal installée(s). 	<ul style="list-style-type: none"> Remontez la lame ou les lames en suivant les instructions de la section intitulée « INSTALLATION DES LAMES » dans ce mode d'emploi.
	<ul style="list-style-type: none"> Le mode de réglage de la vitesse des lames n'est pas configuré correctement. 	<ul style="list-style-type: none"> Sélectionnez un mode de réglage de la vitesse des lames plus approprié.
	<ul style="list-style-type: none"> Les réglages de la hauteur de coupe de l'herbe entre la roue avant et la roue arrière ne sont pas cohérents. 	<ul style="list-style-type: none"> Réglez la roue avant et la roue arrière à une hauteur de coupe identique.

PROBLÈME	CAUSE	SOLUTION
L'autonomie de fonctionnement de la tondeuse avec la pile incluse est courte.	<ul style="list-style-type: none"> ■ L'état de l'herbe et le réglage de la hauteur de coupe affectent dans une large mesure l'autonomie de fonctionnement de la tondeuse alimentée par des piles. L'autonomie de fonctionnement indiquée est basée sur une condition de charge légère. 	<ul style="list-style-type: none"> ■ Élevez la hauteur de la lame et ralentissez la vitesse de rotation de la lame pour réduire la charge de coupe.
	<ul style="list-style-type: none"> ■ Le mode de réglage de la vitesse des lames n'est pas configuré correctement. 	<ul style="list-style-type: none"> ■ Sélectionnez un mode de réglage de la vitesse des lames plus lent.
La tondeuse ne déchiquette pas correctement.	<ul style="list-style-type: none"> ■ Des déchets de tonte mouillés adhèrent au dessous du châssis. 	<ul style="list-style-type: none"> ■ Attendez que l'herbe sèche avant de la tondre.
	<ul style="list-style-type: none"> ■ La tondeuse est paramétrée pour couper trop d'herbe à la fois. 	<ul style="list-style-type: none"> ■ Relevez le châssis à une hauteur de coupe plus élevée.
	<ul style="list-style-type: none"> ■ Le mode de réglage de la vitesse des lames n'est pas configuré correctement. 	<ul style="list-style-type: none"> ■ Configurez la vitesse de rotation des lames sur un réglage inférieur.

PROBLÈME	CAUSE	SOLUTION
La tondeuse s'arrête de façon inattendue pendant la tonte..	<ul style="list-style-type: none"> Le(s) bloc(s)-piles est/sont déchargé(s). 	<ul style="list-style-type: none"> Chargez le(s) bloc(s)-piles.
	<ul style="list-style-type: none"> La tondeuse est surchargée et l'indicateur d'état de fonctionnement de la tondeuse clignote en orange. 	<ul style="list-style-type: none"> Vérifiez si de l'herbe s'est accumulée sous le châssis, et nettoyez-le si nécessaire. Augmentez la hauteur de coupe ou ralentissez la vitesse de tonte.
	<ul style="list-style-type: none"> Le châssis de la tondeuse est encombré par de l'herbe et des débris. 	<ul style="list-style-type: none"> Désobstruez le châssis de la tondeuse. Augmentez la hauteur de coupe et/ou coupez un andain plus étroit.
	<ul style="list-style-type: none"> Le(s) bloc(s)-piles ou le circuit de la tondeuse à gazon est/sont trop chaud(s). Si le(s) bloc(s)-piles est/sont en état de surchauffe, l'indicateur d'état de fonctionnement de la tondeuse s'éteint. Si la tondeuse est en état de surchauffe, le voyant d'état de fonctionnement de la tondeuse s'allume en orange constant. 	<ul style="list-style-type: none"> Laissez le(s) bloc(s)-piles ou la tondeuse refroidir.
	<ul style="list-style-type: none"> Le mode de réglage de la vitesse des lames n'est pas configuré correctement. 	<ul style="list-style-type: none"> Configurez la vitesse de rotation des lames sur un réglage inférieur.
	<ul style="list-style-type: none"> L'indicateur d'erreur électronique de la tondeuse et l'indicateur d'état de fonctionnement de la tondeuse clignotent alternativement en rouge/vert. 	<ul style="list-style-type: none"> Contactez le service à la clientèle d'EGO.

PROBLÈME	CAUSE	SOLUTION
Les vibrations sont excessives.	<ul style="list-style-type: none"> La fixation d'une ou de plusieurs lame(s) de coupe est mal assujettie. 	<ul style="list-style-type: none"> Serrez le(s) boulon(s) de fixation.
	<ul style="list-style-type: none"> Une ou plusieurs lame(s) de coupe est/sont déséquilibrée(s). 	<ul style="list-style-type: none"> Équilibrez la lame ou les lames en suivant les instructions de la section intitulée « AFFÛTAGE DES LAMES ».
	<ul style="list-style-type: none"> Une ou plusieurs lame(s) de coupe est/sont tordue(s). 	<ul style="list-style-type: none"> Remplacez la lame ou les lames.
	<ul style="list-style-type: none"> L'arbre du moteur est tordu. 	<ul style="list-style-type: none"> Contactez le service à la clientèle d'EGO.
	<ul style="list-style-type: none"> La tondeuse est paramétrée pour couper trop d'herbe à la fois. 	<ul style="list-style-type: none"> Relevez le châssis à une hauteur de coupe plus élevée.
	<ul style="list-style-type: none"> Le mode de réglage de la vitesse des lames n'est pas configuré correctement. 	<ul style="list-style-type: none"> Configurez la vitesse de rotation des lames sur un réglage inférieur.
Le moteur fonctionne, mais la lame/ les lames ne coupe(nt) pas l'herbe.	<ul style="list-style-type: none"> Le(s) boulon(s) de fixation de l'arbre n'est/ne sont pas serré(s) au couple requis. 	<ul style="list-style-type: none"> Serrez à nouveau le(s) boulon(s) de fixation de l'arbre. Le couple recommandé est de 50-60 Nm / 36-43 pi-lb.

GARANTIE LIMITÉE D'EGO

CONDITIONS ET DURÉE DE LA POLITIQUE DE GARANTIE

Chervon North America, Inc. (« Chervon North America, Naperville, IL 60563 ») offre la garantie limitée suivante pour les produits EGO à l'acheteur initial des produits EGO.

Les périodes de garantie détaillées de chaque produit EGO sont indiquées en ligne à l'adresse <http://egopowerplus.com/warranty-policy>.

Veillez contacter le Service clientèle d'EGO en téléphonant au 1-855-EGO-5656 (appel gratuit) à tout moment en cas de questions ou si vous voulez vous prévaloir de la garantie.

GARANTIE LIMITÉE DE SERVICE APRÈS-VENTE

Les produits EGO sont garantis contre tout défaut de matériel ou de fabrication à partir de la date d'achat au détail originale et pendant la période de garantie applicable.

Pour toute demande de garantie soumise correctement et dans les délais, si Chervon North America détermine qu'un produit est défectueux pendant la période de garantie, le produit sera réparé ou remplacé gratuitement, selon la décision de Chervon North America.

COMMENT OBTENIR DE L'ASSISTANCE DANS LE CADRE DU SERVICE APRÈS-VENTE

Pour obtenir de l'assistance dans le cadre de la garantie applicable, veuillez contacter le service à la clientèle d'EGO au numéro gratuit 1-855-EGO-5656. Lorsque vous demandez de l'assistance dans le cadre de la garantie, vous devez présenter le reçu de vente original daté. Un centre de service après-vente agréé sera sélectionné pour évaluer et réparer le produit défectueux conformément aux conditions de garantie énoncées. Lorsque vous apportez votre produit au centre de service après-vente agréé, il se peut qu'une petite caution vous soit demandée lors du dépôt de votre outil. Ce dépôt est remboursable lorsque le service de réparation est considéré comme étant couvert par la garantie. L'acheteur est responsable du transport de tout équipement électrique d'extérieur ou de ses accessoires, à ses frais.

LIMITATIONS ET EXCLUSIONS SUPPLÉMENTAIRES

Cette garantie limitée ne s'applique qu'à l'acheteur original auprès d'un revendeur agréé EGO, et elle ne peut pas être cédée. Les produits EGO ne sont pas considérés comme défectueux et la présente garantie ne s'applique pas lorsque le défaut invoqué est imputable à une cause autre que les défauts définis ci-dessus. Cette garantie est nulle et non avenue si le produit a été utilisé à des fins de location. Cette garantie ne s'applique pas aux dommages causés par un accident, un abus, une mauvaise utilisation, une altération, une modification, une réparation non autorisée, un contact avec un liquide, un incendie, un tremblement de terre ou toute autre cause externe ; l'utilisation du produit en dehors des instructions, des spécifications ou des directives d'EGO ; ou le manque de service ou d'entretien correct du produit. Cette garantie ne s'applique pas non plus aux dommages superficiels, y compris, mais sans s'y limiter, les rayures ou les bosses ; les défauts dus à l'usure normale ou au vieillissement normal du produit.

CETTE GARANTIE EXPRESSE REMPLACE TOUTE AUTRE GARANTIE, EXPRESSE OU IMPLICITE, Y COMPRIS, MAIS SANS S'Y LIMITER, TOUTE GARANTIE DE QUALITÉ MARCHANDE OU D'ADÉQUATION À UN USAGE OU UN BUT PARTICULIER, QUI EST REJETÉE. Toute garantie implicite, y compris la garantie de qualité marchande ou d'adéquation à un usage particulier, qui ne peut être rejetée en vertu de la loi de l'État ou de la province est limitée à la période de garantie applicable définie au début de cet article. Le seul et unique recours lié à l'achat, l'installation, l'utilisation et/ou la performance des produits EGO est la réparation ou le remplacement du produit tel que déterminé par Chervon North America. La responsabilité maximale de Chervon North America ne peut en aucun cas dépasser le prix d'achat payé pour le produit. CHERVON NORTH AMERICA NE SERA PAS RESPONSABLE ENVERS L'UTILISATEUR OU TOUTE AUTRE PERSONNE DES DOMMAGES CONSÉCUTIFS, ACCESSOIRES, SPÉCIAUX, EXEMPLAIRES, INDIRECTS OU PUNITIFS RÉSULTANT DE L'UTILISATION DES PRODUITS, Y COMPRIS, MAIS SANS S'Y LIMITER, LES BLESSURES, LE DÉCÈS, LES DOMMAGES MATÉRIELS, LA PERTE DE PROFITS OU TOUT AUTRE PRÉJUDICE ÉCONOMIQUE. Cette garantie vous confère des garanties juridiques particulières, et vous pouvez aussi avoir d'autres droits, qui varient selon l'État ou la province. Étant donné que certains États et certaines provinces ne permettent pas les limitations de la durée d'une garantie implicite, l'exclusion ou la limitation des dommages indirects ou secondaires, ou les limitations des délais pour intenter certaines actions, il est possible que les limitations mentionnées aux présentes ne s'appliquent pas aux consommateurs individuels dans ces États ou provinces.

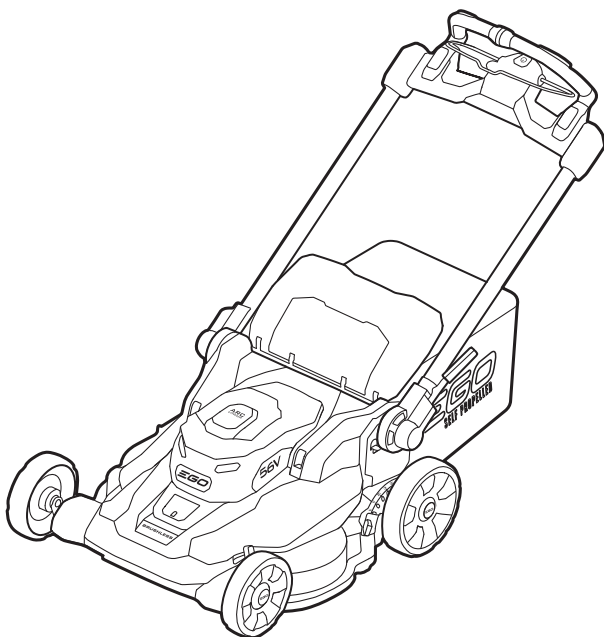


La présente garantie est soumise au droit du Michigan et doit être interprétée conformément à celui-ci, sans tenir compte des principes de conflits de lois. Aucune action en justice ne peut être intentée contre Chervon North America si elle n'est pas déposée dans un délai d'un (1) an à compter du moment où le fondement de cette action en justice est connu ou aurait dû l'être avec l'exercice d'une diligence raisonnable. Toute action qui n'est pas enregistrée dans les délais est réputée abandonnée.

Pour le service à la clientèle, contactez-nous sans frais au numéro suivant : **1-855-EGO-5656** ou **EGOPOWERPLUS.COM**. EGO Customer Service, 769 SEWARD AVE NW / Suite 102 Grand Rapids, MI 49504 (États-Unis)

EGO™

POWER⁺ MOWER™



MANUAL DEL OPERADOR

CORTADORA DE CÉSPED DE 30 PULGADAS

INALÁMBRICA DE ION LITIO DE 56 V

NÚMERO DE MODELO LM3000SP/LM3000SP-FC

⚠ ADVERTENCIA: Para reducir el riesgo de lesiones, el usuario debe leer y entender el manual del operador antes de utilizar este producto. Guarde estas instrucciones para referencia futura.

¡LEA TODAS LAS INSTRUCCIONES!



**READ & UNDERSTAND
OPERATOR'S MANUAL**

ÍNDICE

Símbolos De Seguridad	105
Símbolos	106-107
Advertencias De Seguridad Para Cortadoras De Césped.	108-113
Normas Adicionales Para La Cortadora De Césped	113-115
Introducción.	116
Especificaciones	116-117
Accesorios Recomendados	117
Descripción	118-121
Ensamblaje	122-129
Utilización	130-141
Mantenimiento.	142-149
Resolución De Problemas	150-153
Garantía Limitada De Ego	154-156

SÍMBOLOS DE SEGURIDAD

El propósito de los símbolos de seguridad es atraer la atención del usuario hacia posibles peligros. Los símbolos de seguridad y las explicaciones que los acompañan merecen que usted preste una atención detenida y logre una comprensión profunda. Las advertencias con símbolo no eliminan por sí mismas ningún peligro. Las instrucciones y las advertencias que dichas instrucciones dan no son sustitutos de las medidas adecuadas de prevención de accidentes.

⚠ ADVERTENCIA Asegúrese de leer y entender todas las instrucciones de seguridad contenidas en este manual del operador, incluyendo todos los símbolos de alerta de seguridad, tales como “**PELIGRO**”, “**ADVERTENCIA**” y “**PRECAUCIÓN**”, antes de utilizar esta máquina. Si no se siguen todas las instrucciones que se indican a continuación, es posible que el resultado sea descargas eléctricas, incendio y/o lesiones corporales graves.

Las definiciones que aparecen a continuación describen el nivel de gravedad de cada palabra de aviso. Por favor, lea el manual y preste atención a estos símbolos.

	<p>Este es el símbolo de alerta de seguridad. Se utiliza para alertarle a usted de peligros potenciales de lesiones corporales. Obedezca todos los mensajes de seguridad que sigan a este símbolo para evitar posibles lesiones o la muerte.</p>
	<p>PELIGRO indica una situación peligrosa que, si no se evita, causará la muerte o lesiones graves.</p>
	<p>ADVERTENCIA indica una situación peligrosa que, si no se evita, podría causar la muerte o lesiones graves.</p>
	<p>PRECAUCIÓN, utilizada con el símbolo de alerta de seguridad, indica una situación peligrosa que, si no se evita, causará lesiones leves o moderadas.</p>

MENSAJES DE PREVENCIÓN DE DAÑOS E INFORMACIÓN

Estos mensajes ofrecen al usuario información y/o instrucciones importantes que, si no se siguen, podrían causar daños al equipo u otros daños materiales. Cada mensaje va precedido por la palabra “**AVISO**”, como en el ejemplo que aparece a continuación:

AVISO Si no se siguen estas instrucciones se pueden producir daños al equipo y/o daños materiales.

SÍMBOLOS

Esta página muestra y describe los símbolos de seguridad que es posible que aparezcan en este producto. Lea, entienda y siga todas las instrucciones que se encuentran en el producto antes de intentar ensamblarlo y utilizarlo.

	<p>Alerta de seguridad</p>	<p>Indica un peligro potencial de lesiones corporales.</p>
	<p>Use protección de oídos</p>	<p>Use siempre barreras contra el sonido (tapones de oídos u orejeras) para protegerse la audición.</p>
	<p>Lea y entienda el manual del operador</p>	<p>Para reducir el riesgo de lesiones, el usuario debe leer y entender el manual del operador antes de utilizar este producto.</p>
	<p>ADVERTENCIA: Mantenga las manos y los pies alejados de las cuchillas</p>	<p>Alerta a los usuarios para que mantengan las manos y los pies alejados de las cuchillas.</p>
	<p>ADVERTENCIA: Desconecte la batería antes de hacer mantenimiento</p>	<p>Alerta a los usuarios para que desconecten la batería antes de hacer mantenimiento.</p>
	<p>PELIGRO: Mantenga alejados las manos y los pies</p>	<p>Alerta a los usuarios para que mantengan alejados las manos y los pies.</p>
	<p>ADVERTENCIA: Tenga cuidado con los objetos lanzados al aire: Mantenga alejados a los curiosos</p>	<p>Alerta al usuario para que tenga cuidado con los objetos lanzados al aire: Mantenga alejados a los curiosos.</p>

	PELIGRO: Riesgo de pendiente pronunciada	Tenga precaución adicional en las pendientes. No corte el césped en pendientes de más de 15 grados.
	Bluetooth®	Símbolo de Bluetooth®
	Peligro de ingestión	Este producto contiene una batería tipo botón o tipo moneda.
IP...	Calificación de protección contra la penetración (IP)	Clasifica el grado de protección proporcionada por un recinto cerrado para equipos eléctricos.
V	Voltio	Tensión
	Corriente continua (CC)	Tipo o característica de corriente
mm	Milímetro	Longitud o tamaño
pulgadas	Pulgada	Longitud o tamaño
kg	Kilogramo	Peso
lb	Libra	Peso
l	Litro	Volumen
fan	Fanega	Volumen
min	Minutos	Tiempo
n_0	Velocidad sin carga	Velocidad rotacional, sin carga
RPM	Revoluciones por minuto	Velocidad rotacional
°C	Grados Celsius	Temperatura
°F	Grados Fahrenheit	Temperatura

⚠ ADVERTENCIA Para garantizar la seguridad y la confiabilidad, todas las reparaciones deberán ser realizadas por un técnico de servicio calificado.

ADVERTENCIAS DE SEGURIDAD PARA CORTADORAS DE CÉSPED

⚠ ADVERTENCIA Lea todas las advertencias de seguridad, instrucciones, ilustraciones y especificaciones suministradas con esta cortadora de césped. Si no se siguen todas las instrucciones que se indican a continuación, es posible que el resultado sea descargas eléctricas, incendio y/o lesiones graves.

Guarde todas las advertencias e instrucciones para referencia futura.

SEGURIDAD EN EL ÁREA DE TRABAJO

- **Para evitar el contacto de las personas presentes con la cuchilla (las cuchillas) en movimiento o una lesión causada por un objeto lanzado al aire, mantenga el área de utilización despejada de todas las personas presentes, particularmente de niños pequeños. Detenga la cortadora de césped y todos los aditamentos si alguien entra en el área.** Es posible que un contacto con la cuchilla (las cuchillas) en movimiento o con objetos lanzados al aire cause lesiones corporales graves o la muerte.
- **Utilice la cortadora de césped solo en luz diurna o buena luz artificial.** Las áreas oscuras invitan a que se produzcan accidentes
- **No utilice cortadoras de césped en atmósferas explosivas, tales como las existentes en presencia de líquidos, gases o polvos inflamables.** Las cortadoras de césped generan chispas, las cuales es posible que incendien el polvo o los vapores.
- **No utilice la cortadora de césped en malas condiciones climáticas, especialmente cuando haya riesgo de rayos.** Esto reduce el riesgo de ser alcanzado por rayos.
- **Inspeccione minuciosamente el área donde se va a utilizar la cortadora de césped y retire todas las piedras, palos, alambres, huesos y otros objetos extraños.** Los objetos lanzados al aire pueden causar lesiones corporales.

SEGURIDAD ELÉCTRICA

- **No utilice la cortadora de césped en la lluvia ni en condiciones mojadas.** Es posible que la entrada de agua en una cortadora de césped aumente el riesgo de descargas eléctricas.

SEGURIDAD PERSONAL

- **Utilice equipo de protección personal. Use siempre protección ocular.** Los equipos de protección reducirán las lesiones corporales.
- **Vístase adecuadamente. No se ponga ropa holgada ni joyas. Mantenga el pelo y la ropa alejados de las piezas móviles.** La ropa holgada, las joyas o el pelo largo pueden quedar atrapados en las piezas móviles.
- **Mientras esté utilizando la cortadora de césped, use siempre pantalones largos.** La piel al descubierto aumenta la posibilidad de lesiones por causa de objetos lanzados al aire.
- **Mientras esté utilizando la cortadora de césped, use siempre calzado antideslizante y protector. No utilice la cortadora de césped cuando esté descalzo o usando sandalias abiertas.** Esto reduce la posibilidad de lesiones en los pies por causa de un contacto con la cuchilla (las cuchillas) en movimiento.
- **Prevenga los arranques accidentales. Asegúrese de que el interruptor esté en la posición de apagado antes de conectar la cortadora de césped a una fuente de alimentación y/o a baterías, levantar la cortadora de césped o transportarla.** Si se transporta una cortadora de césped con el dedo en el interruptor o si se suministra corriente a una cortadora de césped que tenga el interruptor en la posición de encendido se invita a que se produzcan accidentes.
- **Retire todas las llaves de ajuste o de tuerca antes de encender la cortadora de césped.** Es posible que una llave de tuerca o de ajuste que se deje sujeta a una pieza rotativa de la cortadora de césped cause lesiones corporales.
- **Mantenga un apoyo de los pies y un equilibrio adecuados en todo momento.** Esto le permite un mejor control de la cortadora de césped en situaciones inesperadas.
- **Manténgase alerta, fíjese en lo que está haciendo y use el sentido común cuando utilice una cortadora de césped. No utilice una cortadora de césped mientras esté cansado o bajo la influencia de drogas, alcohol o medicamentos.** Es posible que un momento de desatención mientras se esté utilizando una cortadora de césped cause lesiones corporales graves.
- **No deje que la familiaridad obtenida con el uso frecuente de la cortadora de césped le permita volverse complaciente e ignorar los principios de seguridad de la cortadora de césped.** Una acción descuidada puede causar lesiones graves en una fracción de segundo.
- **Para evitar el contacto del operador con las cuchillas o lesiones causadas por un objeto lanzado al aire, permanezca en la zona del operador detrás de las agarraderas de la cortadora de césped.** Es posible que el contacto con las cuchillas o los objetos lanzados al aire causen lesiones corporales graves.

- **No toque las cuchillas ni otras piezas móviles peligrosas mientras aún estén en movimiento.** Esto reduce el riesgo de lesiones causadas por las piezas móviles.

USO Y CUIDADO DE LA CORTADORA DE CÉSPED

- **Utilice la cortadora de césped y los accesorios de acuerdo con estas instrucciones, teniendo en cuenta las condiciones de trabajo y el trabajo que se vaya a realizar.** Es posible que el uso de la cortadora de césped para operaciones distintas a las previstas cause una situación peligrosa.
- **Antes de utilizar la cortadora de césped, inspeccione siempre visualmente la cuchilla (las cuchillas) y el ensamblaje de la cuchilla (las cuchillas) para comprobar que están firmemente sujetos y no están desgastados ni dañados.** Es posible que las piezas flojas, desgastadas o dañadas aumenten el riesgo de lesiones.
- **Mantenga los protectores y otros dispositivos de seguridad instalados en la posición correcta, montados correctamente y en buenas condiciones de funcionamiento.** Es posible que un protector u otro dispositivo de seguridad que esté flojo o dañado, o que no esté funcionando correctamente, cause lesiones corporales.
- **Mantenga todas las entradas de aire de enfriamiento despejadas de residuos.** Es posible que las entradas de aire bloqueadas y los residuos causen sobrecalentamiento o riesgo de incendio.
- **No utilice la cortadora de césped si el interruptor no la enciende y apaga.** Cualquier cortadora de césped que no se pueda controlar con el interruptor es peligrosa y debe ser reparada.
- **No utilice la cortadora de césped en pasto mojado. Camine, no corra nunca.** Esto reduce el riesgo de resbalar y caerse, lo cual puede que tenga como resultado lesiones corporales.
- **No utilice la cortadora de césped en pendientes excesivamente inclinadas.** Esto reduce el riesgo de pérdida de control, resbalamiento y caída, lo cual es posible que tenga como resultado lesiones corporales.
- **No fuerce la cortadora de césped. Utilice la cortadora de césped correcta para la aplicación que esté realizando.** La cortadora de césped correcta hará el trabajo mejor y de manera más segura a la capacidad nominal para la que fue diseñada.
- **Esté atento a la dirección de descarga de la cortadora de césped y el aditamento, y no apunte la descarga de la cortadora de césped hacia nadie.** Los objetos lanzados al aire pueden causar lesiones corporales.
- **Tenga precaución extrema cuando invierta el sentido de avance de la cortadora de césped o cuando la jale hacia usted. Este siempre atento a sus alrededores.** Esto reduce el riesgo de tropezar durante la utilización de la cortadora de césped.
- **No trabaje en pendientes, esté siempre seguro del apoyo de los pies,**

trabaje siempre transversalmente a la cara de las pendientes, nunca hacia arriba o hacia abajo, y tenga precaución extrema cuando cambie de dirección. Esto reduce el riesgo de pérdida de control, resbalamiento y caída, lo cual es posible que tenga como resultado lesiones corporales.

- **Accione el dispositivo de desactivación y/o retire todos los paquetes de batería de la cortadora de césped, si son retirables, antes de hacer cualquier ajuste, cambiar accesorios o almacenar la cortadora de césped.** Dichas medidas preventivas de seguridad reducen el riesgo de arrancar accidentalmente la cortadora de césped.
- **Mantenga las agarraderas y las superficies de agarre secas, limpias y libres de aceite y grasa.** Las agarraderas y las superficies de agarre resbalosas no permiten un manejo y un control seguros de la cortadora de césped en situaciones inesperadas.
- **Compruebe frecuentemente el colector de pasto para determinar si tiene desgaste o deterioro.** Es posible que un colector de pasto desgastado o dañado aumente el riesgo de lesiones corporales.
- **Antes de retirar el colector de pasto, apague el motor y espere hasta que la cuchilla o las cuchillas se detengan por completo. La cuchilla o las cuchillas de corte siguen rotando después de que se libere el control de las cuchillas. No ponga nunca ninguna parte del cuerpo en el área de la cuchilla (las cuchillas) hasta que esté seguro de que el motor está apagado y la cuchilla o las cuchillas hayan dejado de rotar.** Es posible que un contacto con la cuchilla (las cuchillas) de corte en movimiento tenga como resultado lesiones corporales graves.
- **Antes de desobstruir el conducto, apague el motor, espere hasta que la cuchilla o las cuchillas se detengan por completo y desconecte el cable de alimentación.** La cuchilla o las cuchillas de corte siguen rotando después de que se libere el control de las cuchillas. No ponga nunca ninguna parte del cuerpo en el área de la cuchilla (las cuchillas) hasta que esté seguro de que el motor está apagado y la cuchilla o las cuchillas hayan dejado de rotar. Es posible que un contacto con la cuchilla (las cuchillas) de corte en movimiento tenga como resultado lesiones corporales graves.
- **Antes de limpiar o inspeccionar la cortadora de césped, apague el motor, espere hasta que la cuchilla o las cuchillas se detengan por completo, accione el dispositivo de desactivación y/o retire todas las baterías, si son retirables.** Es posible que un contacto accidental con la cuchilla (las cuchillas) en movimiento y las piezas móviles tenga como resultado lesiones corporales.

- **Haga mantenimiento de la cortadora de césped y los accesorios. Compruebe si hay desalineación o atoramiento de las piezas móviles, rotura de piezas y cualquier otra situación que pueda afectar al funcionamiento de la cortadora de césped. Si la cortadora de césped está dañada, haga que la reparen antes de utilizarla.** Muchos accidentes son causados por cortadoras de césped que reciben un mantenimiento deficiente.
- **Almacene las cortadoras de césped inactivas fuera del alcance de los niños y no deje que las personas que no estén familiarizadas con la cortadora de césped o con estas instrucciones utilicen la cortadora de césped.** Las cortadoras de césped son peligrosas en las manos de los usuarios que no hayan recibido capacitación.

USO Y CUIDADO DE LAS CORTADORAS DE CÉSPED A BATERÍA

- **Utilice las cortadoras de césped solo con paquetes de batería designados específicamente.** Es posible que el uso de cualquier otro paquete de batería cree un riesgo de lesiones e incendio.
- **Realice las recargas solo con el cargador especificado por el fabricante.** Es posible que un cargador que sea adecuado para un tipo de paquete de batería (paquetes de batería) cree un riesgo de incendio cuando se utilice con otro paquete de batería (otros paquetes de batería).
- **Siga todas las instrucciones de carga y no cargue el paquete de batería (los paquetes de batería) o la cortadora de césped fuera del intervalo de temperatura especificado en las instrucciones.** Es posible que la realización de la carga de manera inadecuada o a temperaturas que estén fuera del intervalo especificado dañe la batería y aumente el riesgo de incendio.
- **No utilice un paquete de batería o una cortadora de césped que estén dañados o modificados.** Es posible que las baterías dañadas o modificadas exhiban un comportamiento imprevisible que cause un incendio, una explosión o riesgo de lesiones.
- **No exponga un paquete de batería (varios paquetes de batería) o una cortadora de césped a un fuego o a una temperatura excesiva.** Es posible que la exposición a un fuego o a una temperatura superior a 265 °F (130 °C) cause una explosión.
- **En condiciones abusivas, es posible que se expulse líquido de la batería (las baterías); evite el contacto. Si se produce contacto accidentalmente, enjuáguese con agua.** Si entra líquido en contacto con los ojos, busque adicionalmente ayuda médica. Es posible que el líquido expulsado de la batería (las baterías) cause irritación o quemaduras.

- **Cuando los paquetes de batería no se estén utilizando, manténgalos alejados de otros objetos metálicos, tales como clips sujetapapeles, monedas, llaves, clavos, tornillos u otros objetos metálicos pequeños que puedan hacer una conexión de un terminal con otro.** Si se cortocircuitan juntos los terminales de la batería, es posible que se causen quemaduras o un incendio.

SERVICIO DE AJUSTES Y REPARACIONES

- **Haga que su cortadora de césped reciba servicio de ajustes y reparaciones por un técnico de reparaciones calificado que utilice únicamente piezas de repuesto idénticas. Esto garantizará que se mantenga la seguridad de la cortadora de césped.** Es posible que la utilización de piezas que no cumplan con las especificaciones del equipo original cause un rendimiento incorrecto y comprometa la seguridad.
- **No haga nunca servicio de ajustes y reparaciones de paquetes de batería dañados.** El servicio de ajustes y reparaciones de los paquetes de batería deberá ser realizado solo por el fabricante o por proveedores de servicio autorizados.

NORMAS ADICIONALES PARA LA CORTADORA DE CÉSPED

- El usuario es responsable de los accidentes o peligros que sufran otras personas o sus bienes.
- El usuario debe estar familiarizado con los controles y el uso correcto de la máquina.
- Antes de utilizar la máquina, inspecciónela siempre visualmente para asegurarse de que las cuchillas y los pernos de las cuchillas no estén desgastados o dañados. Reemplace conjuntamente las cuchillas y los pernos desgastados o dañados para preservar el equilibrio.
- Mantenga todas las tuercas, pernos y tornillos apretados para asegurarse de que el producto esté en condiciones de funcionamiento seguras.
- Compruebe el funcionamiento de la máquina antes de cada uso y, en caso de un defecto, haga que la máquina sea reparada inmediatamente por un técnico de servicio calificado; no abra nunca la máquina usted mismo.
- No utilice nunca la máquina con un protector trasero defectuoso o un colector de pasto defectuoso.
- Cuando utilice la máquina sin un colector de pasto, asegúrese de que el protector trasero esté en la posición cerrada (riesgo de lesiones causadas por las cuchillas de corte que rotan).

- Apague siempre la máquina, retire el paquete (los paquetes) de batería y asegúrese de que todas las piezas móviles se hayan detenido por completo:
 - siempre que deje desatendida la máquina.
 - antes de retirar material atorado.
 - antes de comprobar la máquina, limpiarla o trabajar en ella.
 - después de golpear un objeto extraño. En ese caso, inspeccione la máquina para determinar si tiene daños y haga reparaciones antes de rearmar y utilizar la máquina
 - si la máquina comienza a vibrar anormalmente. En ese caso, inspeccione inmediatamente la máquina para determinar si tiene daños, reemplace o repare cualquier pieza dañada, compruebe si hay piezas flojas y apriételas en caso de que las haya.
- Mantenga siempre las manos y los pies alejados de las piezas que rotan.
- Manténgase alejado de la abertura de descarga en todo momento.
- Apague el motor de acuerdo con las instrucciones y con los pies suficientemente alejados de las cuchillas de corte.
- No corte nunca el césped en las inmediaciones de personas (especialmente niños) y animales.
- Detenga las cuchillas de corte si el producto se tiene que inclinar para el transporte cuando cruce superficies que no sean pasto y cuando transporte el producto al área en la que se vaya a usar y desde la misma.
- No incline el producto cuando encienda el motor, excepto si el producto se tiene que inclinar para arrancar. En este caso, no lo incline más de lo que sea absolutamente necesario y levante solo la parte que está alejada del operador.
- Mientras hace ajustes al producto, tenga cuidado para evitar que los dedos queden atrapados entre las cuchillas móviles y las partes fijas.
- Deje siempre que la máquina se enfríe antes de almacenarla.
- Cuando haga servicio de ajustes y reparaciones de las cuchillas, tenga presente que, incluso aunque la fuente de alimentación esté desconectada, la cuchilla aún se puede mover.
- Compruebe si hay bloqueo de las cuchillas de corte y mantenga limpias dichas cuchillas y la plataforma de la cortadora de césped. Retire el pasto cortado, las hojas, la suciedad y cualquier otro residuo acumulado antes y después de cada uso.
- Cuando se produzca un bloqueo, detenga la cortadora de césped y retire el paquete (los paquetes) de batería. Luego, elimine cualquier acumulación de pasto y hojas que esté en el eje de transmisión y el ventilador del motor o alrededor de los mismos (no use agua). Limpie la cortadora de césped con un paño húmedo.
- Vacíe la bolsa de pasto antes del almacenamiento.
- No utilice nunca la máquina cuando el cable de la agarradera esté dañado, haga que sea reemplazado por una persona calificada.

- Limpieza y mantenimiento antes del almacenamiento.
- Utilice las cortadoras de césped solo con los paquetes de batería designados específicamente. Es posible que el uso de cualquier otro paquete de batería cree un riesgo de lesiones e incendio.

PAQUETE DE BATERÍA	CARGADOR
BA1400, BA1400-FC, BA2800, BA2800-FC, BA4200, BA4200-FC, BA1400T, BA1400T-FC, BA2242T, BA2242T-FC, BA2800T, BA2800T-FC, BA3360T, BA3360T-FC, BA4200T, BA4200T-FC, BA4480T, BA4480T-FC, BA5600T, BA5600T-FC, BA6720T, BA6720T-FC	CH2100, CH2100-FC, CH3200, CH3200-FC, CH5500, CH5500-FC, CH2800D, CH2800D-FC, CH7000, CH7000-FC, CH7000T, CH7000T-FC

BATERÍA TIPO MONEDA

- El producto contiene baterías no reemplazables.
- Retire y recicle o deseche inmediatamente las baterías usadas, de acuerdo con los reglamentos locales, y manténgalas fuera del alcance de los niños. NO deseche las baterías en la basura doméstica ni las incinere.
- Es posible que incluso las baterías usadas causen lesiones graves o la muerte.
- Llame a un centro local de control de envenenamientos para obtener información de tratamiento.
- Tipo de batería de moneda: ICB1250 E6
- Tensión nominal de la batería tipo moneda: 3,85 V
- Las baterías no recargables no se deben recargar.
- No descargue ni recargue forzosamente, desarme, caliente por encima de 140 °F (60 °C) ni incinere las baterías. Si hace alguna de estas cosas, es posible que el resultado sea lesiones debido a venteo, fuga o explosión que causen quemaduras químicas.

⚠ ADVERTENCIA

- **PELIGRO DE INGESTIÓN:** ESTE PRODUCTO CONTIENE UNA BATERÍA TIPO BOTÓN O TIPO MONEDA.
- SI SE INGIERE, EL RESULTADO PUEDE SER LA **MUERTE** O LESIONES GRAVES.
- SI SE TRAGA, UNA BATERÍA TIPO BOTÓN O TIPO MONEDA PUEDE CAUSAR **QUEMADURAS QUÍMICAS INTERNAS** EN TAN POCO TIEMPO COMO **2 HORAS**.
- **MANTENGA LAS BATERÍAS NUEVAS Y USADAS FUERA DEL ALCANCE DE LOS NIÑOS.**
- **OBTENGA ATENCIÓN MÉDICA INMEDIATA** SI SE SOSPECHA QUE UNA BATERÍA SE HA TRAGADO O SE HA INSERTADO DENTRO DE CUALQUIER PARTE DEL CUERPO.



INTRODUCCIÓN

Felicitaciones por su selección de una nueva generación de cortadora de césped alimentada por ion litio de 56 V. Este producto ha sido diseñado, concebido y fabricado para ofrecerle a usted la mejor confiabilidad y el mejor rendimiento posibles.

En el caso de que tenga cualquier problema que no pueda remediar fácilmente, **servíase contactar a Servicio al Cliente de EGO llamando al 1-855-EGO-5656.**


Este manual contiene información importante sobre el ensamblaje, la utilización y el mantenimiento de manera segura de su cortadora de césped. Léalo detenidamente antes de utilizar la cortadora de césped. Tenga este manual al alcance de la mano para poder consultarlo en cualquier momento.

NÚMERO DE SERIE _____ FECHA DE COMPRA _____

LOS NÚMERO DE MODELO Y DE SERIE SE ENCONTRARÁN EN UNA ETIQUETA COLOCADA EN LA PUERTA DE DESCARGA TRASERA.

USTED DEBERÁ ANOTAR TANTO EL NUMERO DE SERIE COMO LA FECHA DE COMPRA Y CONSERVARLOS EN UN LUGAR SEGURO PARA REFERENCIA FUTURA

ESPECIFICACIONES

Tensión	56 V 
Modo de velocidad de las cuchillas	TURBO
	2
	1
Ajuste aproximado de la altura de corte (9 posiciones)	1 pulgada (25 mm) 1-1/4 pulgadas (33 mm) 1-3/4 pulgadas (44 mm) 2-1/2 pulgadas (58 mm) 3 pulgadas (72 mm) 3-1/2 pulgadas (86 mm) 4 pulgadas (101 mm) 4-1/2 pulgadas (114 mm) 5 pulgadas (125 mm)

Tamaño de la plataforma	30,8 pulgadas (782 mm)
Volumen de la bolsa de pasto	2,5 fanegas (90 l)
Calificación de protección contra la penetración	IPX4* (protegida contra las salpicaduras de agua)
Peso de la cortadora de césped (sin paquete de batería; con inserto de trituración)	103,6 lb (47 kg)
Tiempo de funcionamiento aproximado con 2 paquetes de batería EGO de 6 Ah	75 min (Modo 1)
Temperatura de funcionamiento recomendada	32 – 104 °F (0 – 40 °C)
Temperatura de almacenamiento recomendada	-4 °F – 158 °F (-20 °C – 70 °C)

* **NOTA:** La calificación IPX4 se basa en que la máquina y la batería se utilicen juntas como un sistema.

AVISO Sírvase consultar los manuales del paquete de batería y del cargador para obtener instrucciones detalladas de seguridad y utilización.

NOTA: El tiempo de funcionamiento real variará con el estado del pasto: especie, densidad, humedad, etc.

Consejos para maximizar el tiempo de funcionamiento

Para sacar mayor provecho de su cortadora de césped EGO, por favor, siga estas reglas:

- Corte no más de 1,5 pulgadas (38 mm) de pasto en una pasada.
- Mueva la cortadora de césped a un ritmo moderado.
- No corte pasto mojado.
- Asegúrese de que las cuchillas estén afiladas.
- Asegúrese de que la parte inferior de la plataforma esté limpia.

ACCESORIOS RECOMENDADOS

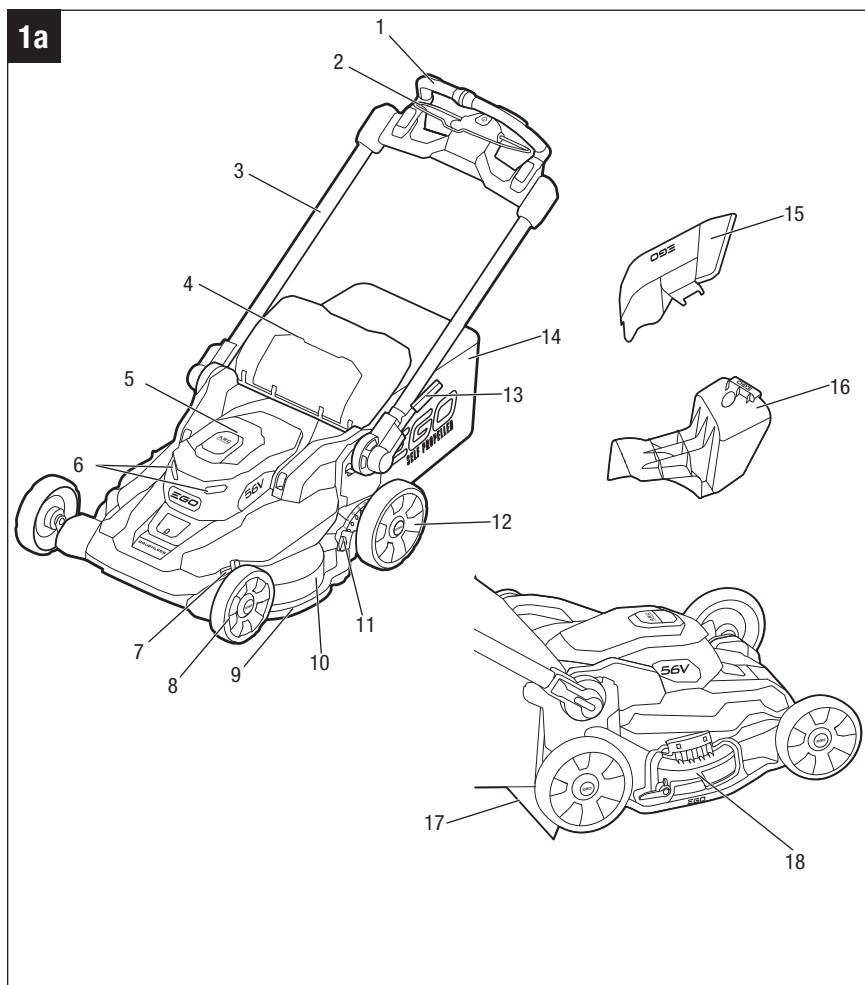
⚠ ADVERTENCIA Las siguientes piezas están sujetas a desgastarse por el uso normal. Utilice solo las piezas de repuesto EGO idénticas que se indican a continuación. Es posible que el uso de piezas que no cumplan con las especificaciones del equipo original cause un rendimiento incorrecto y ponga en peligro la seguridad.

NOMBRE DE LA PIEZA	NÚMERO DE MODELO
Conjunto de cuchillas	AB3000D

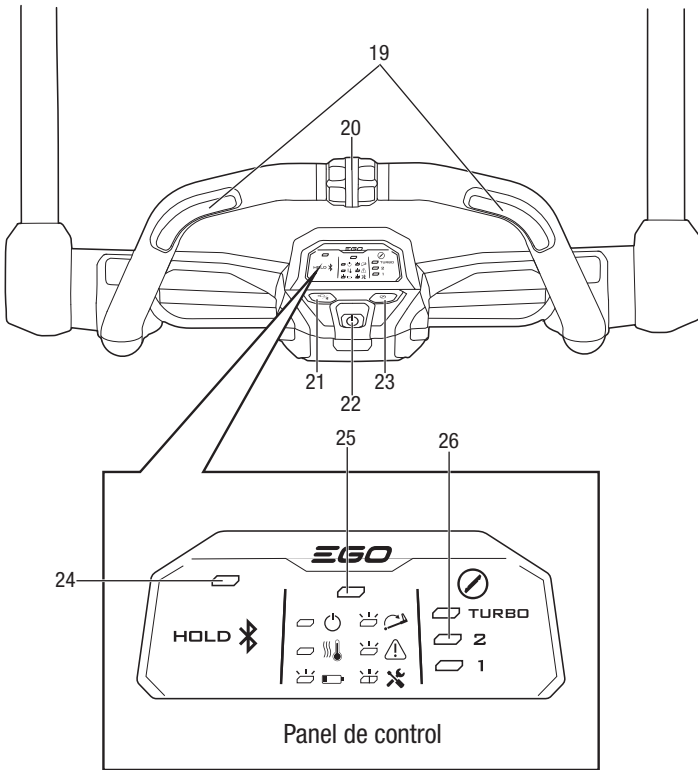
DESCRIPCIÓN

CONOZCA SU CORTADORA DE CÉSPED (Fig. 1a y 1b)

El uso seguro de este producto requiere entender la información que está en la máquina y en este manual del operador, así como tener conocimiento del proyecto que se esté intentando realizar. Antes de utilizar este producto, familiarícese con todas las características de funcionamiento y todas las normas de seguridad.



1b



1. Agarradera
2. Interruptor tipo agarradera (palanca del interruptor)
3. Riel lateral
4. Puerta de descarga trasera
5. Cubierta del compartimiento de las baterías
6. Luces LED delanteras
7. Palanca de ajuste de la altura de corte delantera
8. Rueda delantera
9. Defensa lateral
10. Plataforma
11. Palanca de ajuste de la altura de corte trasera
12. Rueda trasera
13. Palanca de ajuste rápido
14. Bolsa de pasto
15. Conducto de descarga lateral
16. Inserto de trituración
17. Escudo trasero
18. Puerta de descarga lateral
19. Gatillo de autopropulsión
20. Dial de velocidad de autopropulsión
21. Botón de las luces LED delanteras (Botón de Bluetooth®)
22. Botón de alimentación
23. Botón de modo de velocidad de las cuchillas
24. Indicador de Bluetooth®
25. Indicador de estado de la cortadora de césped
26. Indicador de la velocidad de las cuchillas

BOTÓN DE ALIMENTACIÓN

- Cuando se presione brevemente este botón, el indicador de estado de la cortadora de césped y el indicador de la velocidad de las cuchillas preestablecida (modo 2) se iluminarán.
- El botón de alimentación se debe presionar antes de que el motor se pueda arrancar.

INTERRUPTOR TIPO AGARRADERA

El interruptor tipo agarradera ENCIENDE y APAGA el motor de las cuchillas.

GATILLO DE AUTOPROPULSIÓN

ENCIENDE y APAGA la función de autopropulsión.

DIAL DE VELOCIDAD DE AUTOPROPULSIÓN

Aumenta o reduce la velocidad de autopropulsión

BOTÓN DE MODO DE VELOCIDAD DE LAS CUCHILLAS

Permite al usuario seleccionar el modo de velocidad de las cuchillas, dependiendo de las condiciones del pasto.

ESCUDO TRASERO

Diseñado para reducir el riesgo de lesiones causadas por los objetos lanzados al aire y/o el contacto con las cuchillas.

CONDUCTO DE DESCARGA LATERAL

Guía el pasto cortado hacia la derecha de la cortadora de césped.

INSERTO DE TRITURACIÓN

Para triturar el pasto.

PALANCA DE AJUSTE RÁPIDO

Bloquea/desbloquea la posición de la agarradera cuando se ajusta el ángulo de la agarradera de la cortadora de césped:

1. Posición de almacenamiento bloqueada
2. Posición de utilización superior
3. Posición de utilización central
4. Posición de utilización inferior

LUCES LED DELANTERAS

Las luces LED delanteras están ubicadas en la parte delantera de la cortadora de césped y proporcionan iluminación para ofrecer una mejor visibilidad.

PALANCAS DE AJUSTE DE LA ALTURA DE CORTE DELANTERA/ TRASERA

Le permiten a usted ajustar individualmente la altura de corte de la parte delantera y la parte trasera de la cortadora de césped.

INDICADOR DE BLUETOOTH®

Indica el estado de la conexión Bluetooth®.

NOTA: La marca denominativa y los logotipos Bluetooth® son marcas registradas pertenecientes a Bluetooth SIG, Inc., y cualquier uso de dichas marcas por EGO es bajo licencia.

ENSAMBLAJE

⚠ ADVERTENCIA Para prevenir arranques accidentales que podrían causar lesiones corporales graves, retire siempre el paquete (los paquetes) de batería de la máquina cuando ensamble piezas.

⚠ ADVERTENCIA No intente modificar esta máquina ni crear accesorios no recomendados para utilizarse con esta cortadora de césped. Cualquiera de dichas alteraciones o modificaciones constituye un uso incorrecto y podría causar una situación peligrosa que tenga como resultado lesiones graves.

DESEMPAQUE

- Saque todos los accesorios de la caja de cartón.

⚠ PRECAUCIÓN Objeto pesado. Se necesitan dos personas para levantar la cortadora de césped.

- Una persona deberá agarrar la parte delantera de la cortadora de césped y la otra persona deberá agarrar la agarradera plegable para levantar cuidadosamente la cortadora de césped y sacarla de la caja de cartón.
- Asegúrese de que todos los artículos que aparecen en la “**LISTA DE EMPAQUETAMIENTO**” estén incluidos.
- Inspeccione minuciosamente el producto para asegurarse de que no se hayan producido roturas ni daños durante su envío.
- No deseche el material de empaquetamiento hasta que haya inspeccionado minuciosamente y utilizado satisfactoriamente la cortadora de césped.
- Si alguna de las piezas está dañada o falta, sírvase devolver la cortadora de césped al lugar de compra.

LISTA DE EMPAQUETAMIENTO

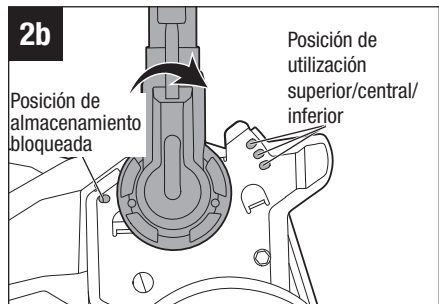
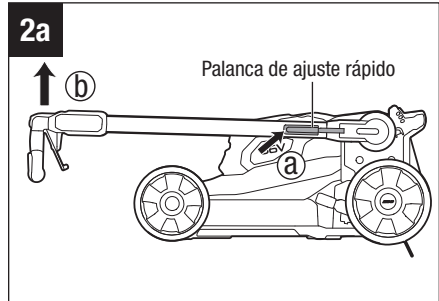
NOMBRE DE LA PIEZA	CANTIDAD
Cortadora de césped	1
Bolsa de pasto	1
Armazón para la bolsa de pasto	1
Inserto de trituración (instalado en la fábrica en la cortadora de césped)	1
Conducto de descarga lateral	1
Manual del operador	1

AJUSTE LA AGARRADERA PLEGABLE

⚠ ADVERTENCIA No intente arrancar la cortadora de césped ni la función de autopropulsión hasta que la agarradera se haya bloqueado en una de las tres posiciones de utilización preestablecidas (POSICIÓN DE UTILIZACIÓN SUPERIOR, POSICIÓN DE UTILIZACIÓN CENTRAL o POSICIÓN DE UTILIZACIÓN INFERIOR).

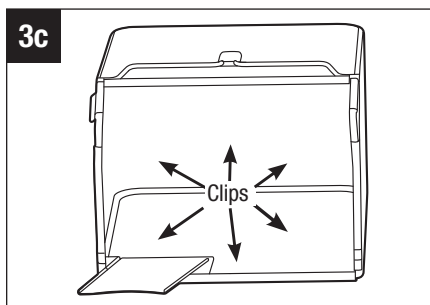
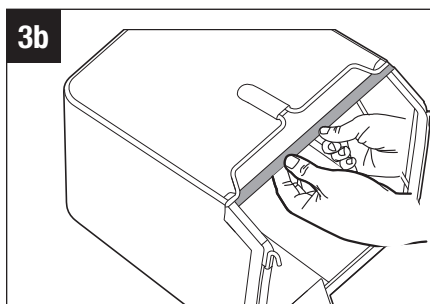
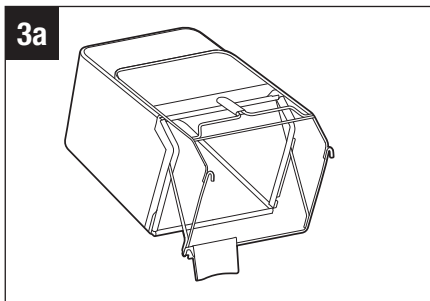
Esta cortadora de césped se envía con la agarradera en la posición de almacenamiento bloqueada compacta (Fig. 2a).

1. Presione y mantenga presionada la palanca de ajuste rápido (a) para liberar la agarradera de la posición de almacenamiento bloqueada (Fig. 2a).
2. Levante la agarradera para retirarla de su posición plegada (b) y luego suelte la palanca. Pivote suavemente la agarradera hacia arriba hasta que oiga y sienta que el pasador de fijación se acopla en una de las tres posiciones distintas, tal como se muestra en la Fig. 2b.



ENSAMBLAJE DE LA BOLSA DE PASTO

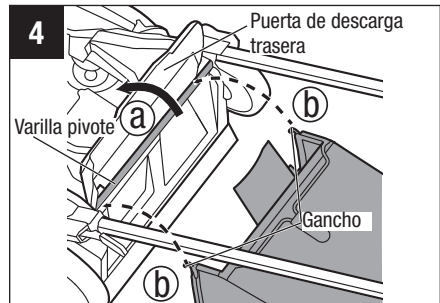
1. Compruebe la bolsa de pasto antes de ensamblarla, para asegurarse de que no haya daños.
2. Deslice la bolsa de pasto sobre el armazón, de la manera que se muestra en la Fig. 3a.
3. Ensamble el clip superior en el armazón, de la manera que se muestra en la Fig. 3b, y luego ensamble los dos clips laterales. Ensamble el clip inferior en último lugar.
4. La bolsa de pasto completamente ensamblada se muestra en la Fig. 3c.



INSTALACIÓN/DESINSTALACIÓN DE LA BOLSA DE PASTO (FIG. 4)

Utilice la bolsa de pasto cuando quiera recoger del césped el pasto cortado y las hojas cortadas.

⚠ ADVERTENCIA Desinstale el inserto de trituración (instalado en la fábrica) y el conducto de descarga lateral antes de instalar la bolsa de pasto en la cortadora de césped.



1. Apague la cortadora de césped y espere hasta que las cuchillas de corte se detengan por completo.
2. Retire los paquetes de batería.
3. Posicione la cortadora de césped sobre una superficie nivelada.
4. Levante la puerta de descarga trasera (a).
5. **RETIRE EL INSERTO DE TRITURACIÓN (INSTALADO EN LA FÁBRICA)** y el conducto de descarga lateral.
6. Inserte primero la placa de acero de la bolsa de pasto en la cortadora de césped y luego enganche la bolsa de pasto en la varilla pivote (b). Suelte la puerta de descarga trasera para que descansa sobre la bolsa de pasto.
7. **Para desinstalar la bolsa de pasto**, levante la puerta de descarga trasera de la cortadora de césped. Levante la bolsa de pasto para separarla de la varilla pivote.
8. Suelte la puerta de descarga trasera.

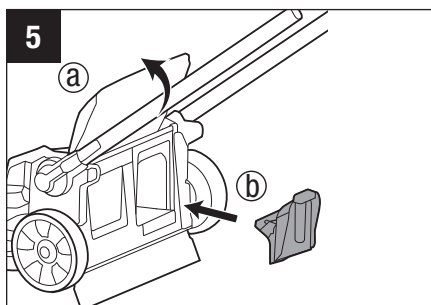
⚠ ADVERTENCIA Cuando utilice la bolsa de pasto, no utilice nunca la cortadora de césped a menos que los ganchos ubicados en la bolsa de pasto estén firmemente asentados sobre la varilla pivote y la puerta de descarga trasera descansa firmemente contra la parte superior de la bolsa de pasto.

⚠ ADVERTENCIA En condiciones de uso normal, el material de la bolsa de pasto está sujeto a desgaste. Para reducir el riesgo de lesiones, inspeccione frecuentemente la bolsa y reemplace dicha bolsa si hay cualquier señal de desgaste o deterioro. Utilice solo bolsas de pasto fabricadas para esta cortadora de césped.

INSTALACIÓN/DESINSTALACIÓN DEL INSERTO DE TRITURACIÓN (FIG. 5)

Utilice el inserto de trituración para reciclar el pasto cortado y las hojas cortadas de vuelta al césped.

⚠ PELIGRO La máquina puede lanzar pasto cortado y otros objetos a través de una abertura ubicada en la carcasa de la máquina. Los objetos lanzados con suficiente fuerza pueden causarles lesiones corporales graves o la muerte a usted o a las personas presentes.

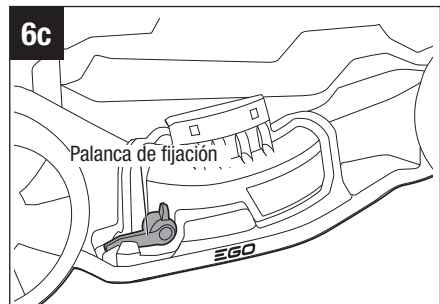
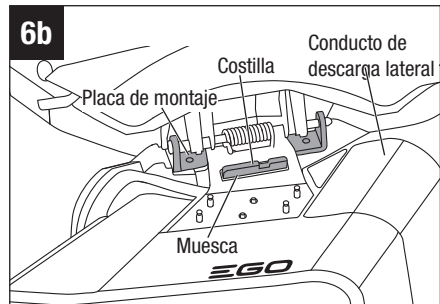
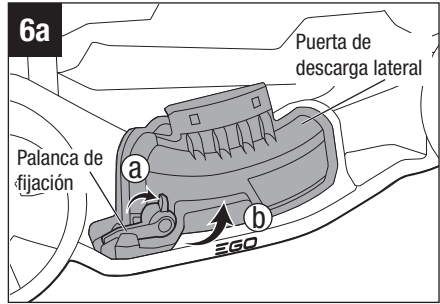


1. Apague la cortadora de césped.
2. Retire los paquetes de batería.
3. Posicione la cortadora de césped sobre una superficie nivelada.
4. Desinstale la bolsa de pasto y el conducto de descarga lateral.
5. Levante la puerta de descarga trasera (a).
6. Agarre la agarradera del inserto de trituración e inserte completamente dicho inserto en la cortadora de césped (b), de manera que esté firmemente sujeto en la posición correcta.
7. Suelte la puerta de descarga trasera y asegúrese de que descansa firmemente contra el inserto de trituración.
8. **Para desinstalar el inserto de trituración**, levante la puerta de descarga trasera, agarre la agarradera del inserto de trituración y jálela hacia fuera.
9. Suelte la puerta de descarga trasera.

INSTALACIÓN/DESINSTALACIÓN DEL CONDUCTO DE DESCARGA LATERAL (FIG. 6a-6c)

Utilice el conducto de descarga lateral para cortar pasto muy alto.

1. Apague la cortadora de césped.
2. Retire el paquete (los paquetes) de batería.
3. Posicione la cortadora de césped sobre una superficie nivelada.
4. Levante la puerta de descarga trasera.
5. Desinstale la bolsa de pasto, instale el inserto de trituración y suelte la puerta de descarga trasera.
6. Presione y agarre la palanca de fijación (a) de la puerta de descarga lateral de manera que la palanca suba y luego levante la puerta de descarga lateral (b).
7. Instale la muesca del conducto de descarga lateral sobre la costilla de la placa de montaje. Compruébela para asegurarse de que esté fija en la posición correcta.
8. **Para desinstalar el conducto de descarga lateral**, levante la puerta de descarga trasera, levante el conducto de descarga lateral y jálalo hacia fuera.
10. Suelte la puerta de descarga lateral para que se cierre y baje la palanca de fijación de vuelta a su posición original, asegurándose de que la puerta de descarga lateral esté bloqueada.



⚠ ADVERTENCIA Asegúrese de que el inserto de trituración esté colocado en la posición correcta antes de instalar el conducto de descarga lateral.

AJUSTE DE LA ALTURA DE CORTE (FIG. 7a y 7b)

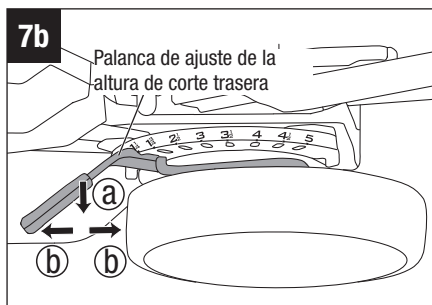
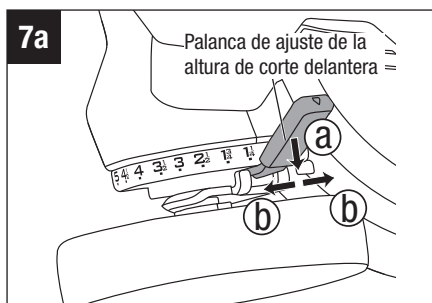
⚠ ADVERTENCIA Mantenga los pies alejados de la plataforma cuando ajuste su altura.

La cortadora de césped se puede ajustar a cualquiera de 9 alturas de corte entre 1 y 5 pulgadas (25 y 125 mm). Una marca ubicada junto a cada medida de la altura de corte indica la altura de corte seleccionada.

Esta cortadora de césped le permite a usted ajustar individualmente la altura de corte de la parte delantera y la parte trasera de la cortadora de césped.

⚠ ADVERTENCIA Para mantener el equilibrio durante la operación de corte de césped, por favor, ajuste las alturas de

corte tanto delantera como trasera a niveles iguales. Por ejemplo, si la altura de corte de la rueda delantera se ajusta a 1 pulgada (25 mm), la altura de corte de la rueda trasera también se DEBE ajustar a 1 pulgada (25 mm), y así sucesivamente, consulte la lista que aparece a continuación, es posible que una altura que no concuerde entre la rueda delantera y la rueda trasera cause lesiones accidentales y volteo hacia abajo la bolsa de pasto.



Ajuste de la altura de corte de la ruedas delanteras	Ajuste de la altura de corte de las ruedas traseras
1 pulgada (25 mm)	1 pulgada (25 mm)
1-1/4 pulgadas (33 mm)	1-1/4 pulgadas (33 mm)
1-3/4 pulgadas (44 mm)	1-3/4 pulgadas (44 mm)
2-1/2 pulgadas (58 mm)	2-1/2 pulgadas (58 mm)
3 pulgadas (72 mm)	3 pulgadas (72 mm)
3-1/2 pulgadas (86 mm)	3-1/2 pulgadas (86 mm)
4 pulgadas (101 mm)	4 pulgadas (101 mm)
4-1/2 pulgadas (114 mm)	4-1/2 pulgadas (114 mm)
5 pulgadas (125 mm)	5 pulgadas (125 mm)

Seleccione la altura de corte adecuada de acuerdo con el tipo y el estado del pasto que se va a cortar.

1. Apague la cortadora de césped y espere hasta que las cuchillas de corte se detengan por completo.
2. Retire los paquetes de batería.
3. Jale la palanca de ajuste de la altura de corte delantera o trasera hacia fuera del retén (a) y póngala en la posición deseada (b).

NOTA: Para evitar sobrecargar el motor, evite ajustar la altura de corte demasiado baja en pasto alto. Si la velocidad del motor comienza a disminuir, suba la altura de corte.

UTILIZACIÓN

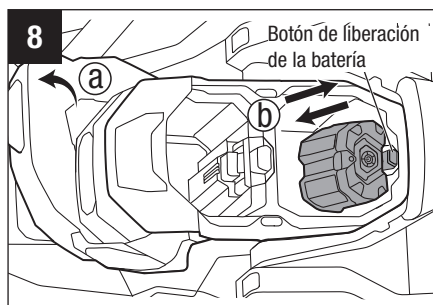
⚠ ADVERTENCIA Retire siempre el paquete (los paquetes) de batería del producto cuando esté ensamblando piezas, haciendo ajustes o realizando limpieza, o cuando el producto no se esté utilizando. Al desinstalar el paquete (los paquetes) de batería se prevendrán los arranques accidentales que podrían causar lesiones corporales graves.

INSTALACIÓN/DESINSTALACIÓN DE LOS PAQUETES DE BATERÍA (Fig. 8)

NOTA: Cargue los paquetes de batería antes del primer uso.

NOTA: Para obtener el mejor rendimiento, recomendamos utilizar paquetes de batería EGO que totalicen una capacidad de 6 Ah o más.

NOTA: La cortadora de césped tiene dos puertos de batería activos. Puede funcionar con uno o con dos paquetes de batería. La utilización de dos paquetes de batería le ofrece a usted un tiempo de funcionamiento más prolongado y un consumo de energía eficiente gestionado por la tecnología de potencia pico PEAK POWER™.



1. Abra la cubierta del compartimento de las baterías levantando la parte trasera de dicha cubierta (a).
2. Alinee los surcos ubicados en el paquete de batería con las costillas en relieve ubicadas en el compartimento de las baterías y luego inserte el paquete de batería en el compartimento (b).
3. Empuje el paquete de batería hasta que oiga un “clic”. El botón de liberación de la batería saltará por resorte hacia arriba cuando el paquete de batería esté firmemente sujeto.
4. Repita el proceso para instalar el segundo paquete de batería.

NOTA: Asegúrese de que el pestillo ubicado en el compartimento de las baterías se acople a presión en la posición correcta y que el paquete de batería esté firmemente sujeto a la cortadora de césped antes de comenzar la utilización.

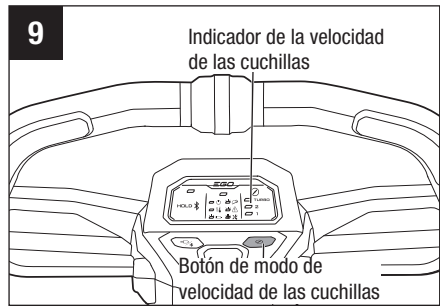
5. **Para desinstalar el paquete de batería**, presione el botón de liberación de la batería para liberar el paquete de batería y luego levántelo para sacarlo del compartimiento de las baterías.
6. Repita el proceso para desinstalar el segundo paquete de batería.
7. Cierre la cubierta del compartimiento de las baterías.

SELECCIÓN DEL MODO DE VELOCIDAD DE LAS CUCHILLAS (Fig. 9)

Seleccione el modo de velocidad de las cuchillas

La cortadora de césped cuenta con tres modos de velocidad de las cuchillas:

- **El modo TURBO** es el modo de velocidad más rápida de las cuchillas y proporciona rendimiento de alta elevación para mejorar la fuerza de succión y el rendimiento de corte.
- **El modo 2** es el mejor equilibrio entre rendimiento y tiempo de funcionamiento.
- **El modo 1** proporciona el nivel de ruido más bajo y el tiempo de funcionamiento más prolongado del paquete de batería.



NOTA: Una velocidad más alta de las cuchillas afectará significativamente al tiempo de funcionamiento.

Seleccione entre **modo 1**, **modo 2** y **modo TURBO** presionando secuencialmente el botón de modo de velocidad de las cuchillas.

NOTA: El modo preestablecido de velocidad las cuchillas es el **modo 2**.

TECNOLOGÍA INALÁMBRICA BLUETOOTH®

Los productos con tecnología inalámbrica Bluetooth® incorporada se pueden conectar a dispositivos móviles.

Para instalar la app EGO Connect™

1. Descargue la app EGO Connect™ a su dispositivo móvil.
2. Cree una cuenta nueva en la app EGO Connect™. Si ya tiene una cuenta, salte al paso 4.

3. Se le enviará un correo electrónico a la dirección de correo electrónico registrada. Siga las instrucciones contenidas en el correo electrónico para validar su cuenta.
4. Inicie sesión en su cuenta EGO en la app EGO Connect™.

Para emparejar EGO Connect™ y el producto

Presione el botón de Bluetooth® durante 5 segundos y luego espere a que el producto se conecte. El indicador de Bluetooth® parpadeará en azul durante el emparejamiento.

El indicador de Bluetooth® se encenderá en azul continuo cuando el producto esté conectado a su dispositivo móvil.

Siga las instrucciones incluidas en la app EGO Connect™.

ARRANQUE/PARADA DE LA CORTADORA DE CÉSPED

⚠ ADVERTENCIA La utilización de cualquier cortadora de césped puede tener como resultado que se lancen objetos hacia los ojos del operador o de otras personas, lo cual puede dañar gravemente los ojos. Use siempre anteojos de seguridad mientras utiliza la cortadora de césped o mientras realiza cualquier ajuste o reparación en la cortadora de césped.

⚠ ADVERTENCIA Asegúrese de que otras personas y los animales domésticos permanezcan al menos a 100 pies (30 m) de distancia de la cortadora de césped cuando se esté utilizando.

AVISO Las cuchillas seguirán rotando ruante unos segundos después de apagar la cortadora de césped. Espere a que el motor/las cuchillas dejen de rotar antes de arrancar de nuevo la cortadora de césped. No encienda y apague rápidamente la cortadora de césped.

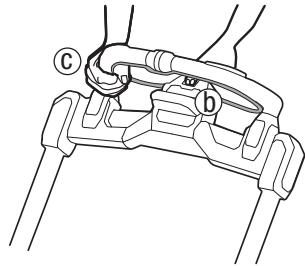
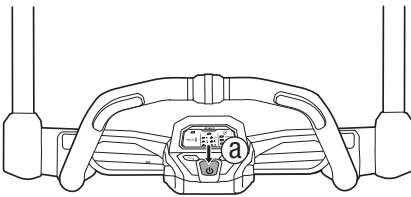
⚠ ADVERTENCIA No intente anular el funcionamiento del botón de alimentación y el interruptor tipo agarradera.

NOTA: La cortadora de césped no se puede arrancar a menos que la agarradera esté bloqueada en una de las tres posiciones de utilización.

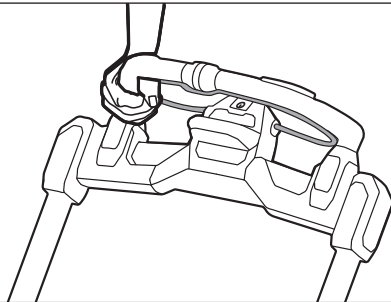
Para arrancar la cortadora de césped (Fig. 10a y 10b)

1. Instale los paquetes de batería en la cortadora de césped y cierre la cubierta del compartimiento de las baterías.
2. Presione el botón de alimentación (a) para iluminar el panel de control y el indicador de estado de la cortadora de césped. El indicador de velocidad de las cuchillas para el **modo 2** se iluminará.
3. Presione el botón de modo de velocidad de las cuchillas para seleccionar la velocidad deseada. Consulte la sección "**Selección del modo de velocidad de las cuchillas**" de este manual.
4. Presione y mantenga presionado el botón de alimentación (b).
5. Con el botón de alimentación presionado, jale el interruptor tipo agarradera para que se encuentre con la agarradera (c). La cortadora de césped arrancará.
6. Suelte el botón de alimentación.

10a

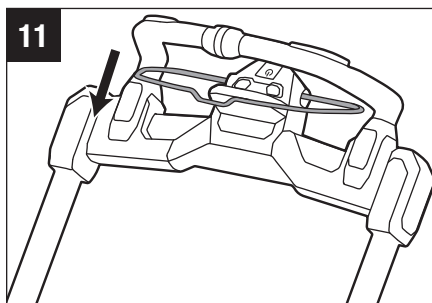


10b



Para detener la cortadora de césped (Fig. 11)

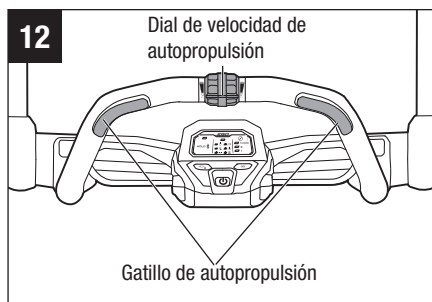
1. Suelte completamente el interruptor tipo agarradera.
2. El freno eléctrico y el mecanismo de frenado automático detendrán la rotación de las cuchillas en 3 segundos o menos después de soltar el interruptor tipo agarradera.



SISTEMA DE AUTOPROPULSIÓN DE VELOCIDAD VARIABLE (Fig. 12)

La cortadora de césped está equipada con capacidad de autopropulsión de velocidad variable. Para aumentar la velocidad, rote hacia delante el dial de velocidad de autopropulsión. Para reducir la velocidad, rote hacia detrás el dial de velocidad de autopropulsión.

AVISO La función de autopropulsión se desactivará (APAGARÁ) cuando el dial de control de la velocidad de autopropulsión se rote hacia detrás hasta la posición más baja.



CUANDO LA CORTADORA DE CÉSPED SE ENVÍA, EL DIAL DE VELOCIDAD ESTÁ AJUSTADO EN LA FÁBRICA EN LA POSICIÓN MÁS BAJA (APAGADO). Antes de arrancar la función de autopropulsión por primera vez, rote ligeramente hacia delante el dial de velocidad de autopropulsión.

El sistema de autopropulsión es independiente de la rotación de las cuchillas. Por ejemplo, cuando usted haya terminado de cortar el césped, puede utilizar la autopropulsión para llevar la cortadora de césped de vuelta a su lugar de almacenamiento sin rotación de las cuchillas. O puede optar por utilizar la cortadora de césped como una cortadora de césped de empuje manual para maximizar el tiempo de funcionamiento de las baterías.

Para utilizar el sistema de autopropulsión sin rotación de las cuchillas

Rote ligeramente hacia delante el dial de velocidad de autopropulsión hasta que se pueda oír un clic y luego presione el gatillo (los gatillos) de autopropulsión. Hay dos gatillos de autopropulsión y cada uno de ellos se puede presionar para arrancar la función de autopropulsión.

Para apagar la autopropulsión, suelte el gatillo de autopropulsión.

Para utilizar el sistema de autopropulsión sin rotación de las cuchillas

1. Presione el botón de alimentación para iluminar el panel de control.
2. Presione el botón de modo de velocidad de las cuchillas para seleccionar la velocidad deseada.
3. Presione y mantenga presionado el botón de alimentación.
4. Con el botón de alimentación presionado, jale el interruptor tipo agarradera contra la agarradera para arrancar la cortadora de césped y luego suelte el botón de alimentación.
5. Mantenga el interruptor tipo agarradera contra la agarradera con una mano. Presione cualquiera de los dos gatillos de autopropulsión para arrancar la función de autopropulsión.
6. Manteniendo con una mano tanto el interruptor tipo agarradera como el gatillo de autopropulsión contra la agarradera, use la otra mano para ajustar el dial de velocidad de autopropulsión con el fin de seleccionar le velocidad deseada.

AVISO Cuando apague la autopropulsión, por ejemplo al final de una hilera, es posible que las ruedas se bloqueen temporalmente si usted intenta jalar hacia atrás la cortadora de césped. Simplemente empuje ligeramente hacia delante y luego mueva la cortadora de césped según lo desee.

AVISO Puede que en algunos casos sea más fácil cortar el césped alrededor de un objeto con la autopropulsión apagada.

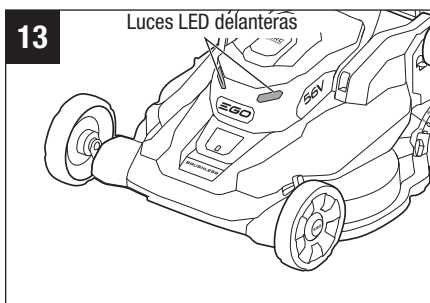
⚠ ADVERTENCIA Para reducir el riesgo de lesiones, no intente nunca anular el funcionamiento del interruptor tipo agarradera o el gatillo de autopropulsión. Utilice el sistema de autopropulsión solo para su propósito previsto.

LUCES LED DELANTERAS (Fig. 13)

Las luces LED delanteras está ubicadas en la parte delantera del compartimiento de las baterías (Fig. 13).




Para encender las luces delanteras, presione el botón de las luces LED delanteras. Las luces delanteras proporcionan una luz brillante delante de la cortadora de césped.




Para apagar las luces delanteras, presione de nuevo el botón de las luces LED delanteras.



INDICADORES DE ESTADO DE LA CORTADORA DE CÉSPED (VEA LA Fig. 1b)

El indicador de estado de la cortadora de césped, ubicado en el panel de control, muestra el estado de funcionamiento de la cortadora de césped.

Indicador	Descripción	Significado	Acción
	Verde continuo	La cortadora de césped está funcionando correctamente.	No se requiere ninguna.
	Verde parpadeante	La agarradera no está bloqueada en una posición de utilización.	Detenga la cortadora de césped y asegúrese de que la agarradera esté bloqueada en una de las tres posiciones de utilización.
	Rojo parpadeante	Carga de la batería baja.	Detenga la cortadora de césped y cargue el paquete (los paquetes) de batería.

Indicador	Descripción	Significado	Acción
	Naranja continuo	La cortadora de césped está sobrecalentada.	<p>Suelte el interruptor tipo agarradera y espere hasta que la temperatura de la cortadora de césped descienda por debajo de 176 °F (80 °C). Consulte "PROTECCIÓN CONTRA ALTAS TEMPERATURAS DE LA CORTADORA DE CÉSPED" más adelante.</p>
	Naranja parpadeante	La cortadora de césped está sobrecargada.	<ol style="list-style-type: none"> 1. Retire el paquete (los paquetes) de batería y luego compruebe si se ha acumulado pasto debajo de la plataforma. Limpie si es necesario. 2. Reduzca el ritmo de corte de césped y/o la velocidad de las cuchillas. 3. Suba la altura de corte. 4. Si las soluciones que anteceden no funcionan, sírvase contactar a Servicio al Cliente de EGO. <p>Consulte "PROTECCIÓN CONTRA SOBRECARGAS DE LA CORTADORA DE CÉSPED" más adelante.</p>
	Rojo/verde parpadeante alternadamente	Error del sistema electrónico de la cortadora de césped.	<p>Contacte a Servicio al Cliente de EGO.</p>

PROTECCIÓN CONTRA ALTAS TEMPERATURAS DE LA CORTADORA DE CÉSPED

Si la temperatura de la cortadora de césped excede 194 °F (90 °C) durante su utilización, el circuito de protección contra altas temperaturas apagará inmediatamente la cortadora de césped para prevenir daños por sobrecalentamiento.

El indicador de estado de la cortadora de césped se iluminará en naranja continuo. Suelte el gatillo de rotación de las cuchillas y espere hasta que la cortadora de césped sobrecalentada se enfríe y el indicador de estado se ponga verde. Luego, rearranque la cortadora de césped.

PROTECCIÓN CONTRA SOBRECARGAS DEL MOTOR

Para prevenir la condiciones de sobrecarga, no intente retirar demasiado pasto a la vez. Reduzca el ritmo de corte de césped o suba la altura de corte.

Esta cortadora de césped tiene protección de circuito contra sobrecargas incorporada. Cuando la cortadora de césped esté sobrecargada, el motor se detendrá y el indicador de estado de la cortadora de césped, ubicado en el panel de control, parpadeará en naranja.

CONSEJOS PARA CORTAR EL CÉSPED

AVISO Las cuchillas afiladas aumentarán enormemente el rendimiento de la cortadora de césped, especialmente al cortar pasto alto. Asegúrese de comprobar si las cuchillas están afiladas antes de cortar el pasto.

- Verifique que el césped esté libre de piedras, palos, alambres y otros objetos que podrían dañar la cortadora de césped o el motor. Dichos objetos podrían ser lanzados accidentalmente al aire por la cortadora de césped en cualquier dirección y podrían causar lesiones corporales graves al operador y a otras personas.

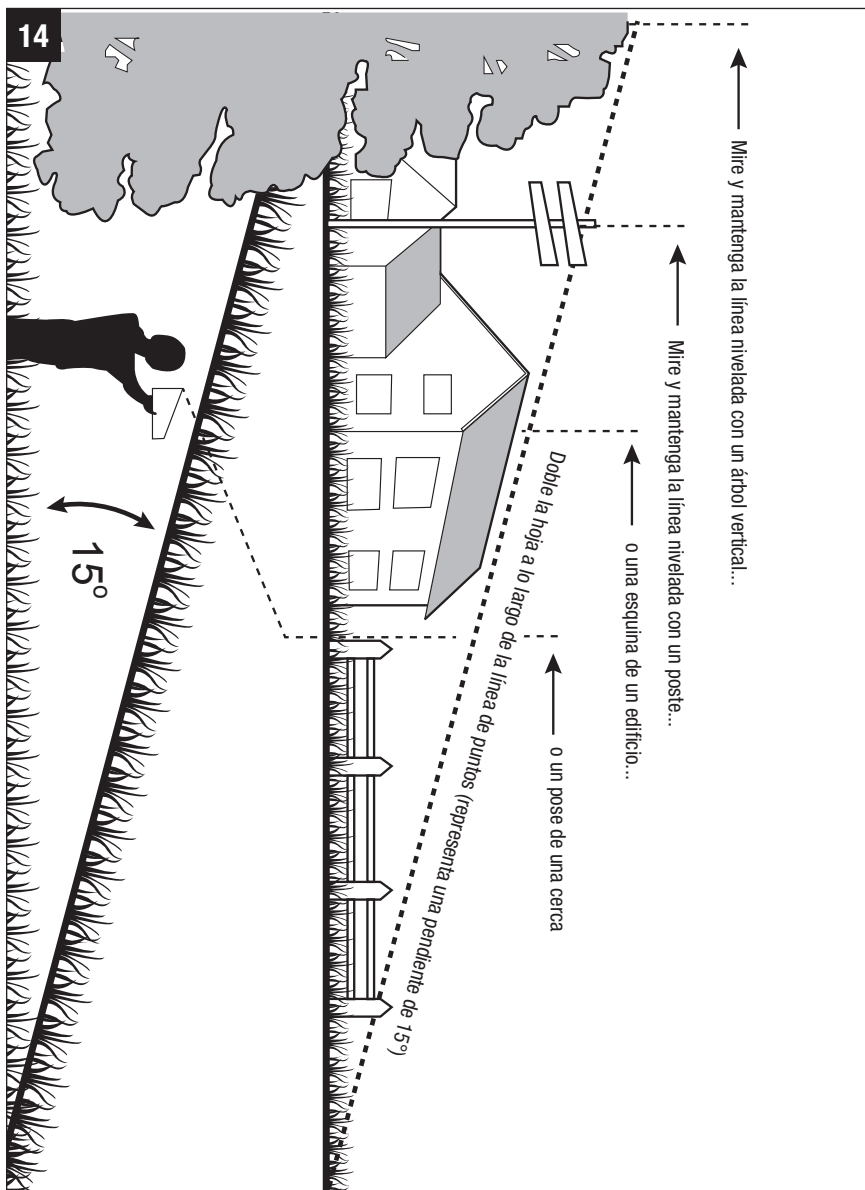
⚠ ADVERTENCIA Si golpea un objeto extraño, pare el motor y retire la batería. Inspeccione minuciosamente la cortadora de césped para determinar si tiene algún daño y repare el daño antes de rearrancar y utilizar la cortadora de césped. Una vibración excesiva de la cortadora de césped durante su utilización es una indicación de daños. La unidad deberá ser inspeccionada y reparada de inmediato.

- Para obtener los mejores resultados, no corte el césped en círculos. Desplácese hacia atrás y hacia delante por el césped.
- Cuando corte pasto grueso, reduzca la velocidad a la que camina para permitir un corte más efectivo y una descarga adecuada del pasto cortado.
- Para mantener un césped saludable, corte solo un tercio o menos de la longitud total del pasto. El césped medio deberá tener una longitud de aproximadamente 1-1/2 a 2 pulgadas (38 a 53 mm) durante los meses fríos y entre 2 y 3-1/4 pulgadas (53 y 83 mm) durante los meses calurosos.

CALIBRE DE PENDIENTES (Fig. 14)

⚠ ADVERTENCIA No corte el césped en una pendiente que tenga un ángulo de más de 15° (una subida de aproximadamente 2-1/2 pies (0,75 m) cada 10 pies [3 m]). Corte el césped transversalmente a la cara de una pendiente y nunca hacia arriba y hacia abajo.

Utilice la Fig. 14 como guía para identificar las pendientes en las que no se puede cortar el pasto de manera segura.



140

CORTADORA DE CÉSPED DE 30 PULGADAS INALÁMBRICA DE ION LITIO DE 56 V — LM3000SP/LM3000SP-FC

CONSEJOS PARA TRITURAR

⚠ ADVERTENCIA Inspeccione el área donde se va a utilizar la cortadora de césped y retire todas las piedras, palos, alambres y otros residuos que podrían ser lanzados al aire por las cuchillas que rotan.

- Suelte el interruptor tipo agarradera para apagar la cortadora de césped cuando cruce cualquier área con grava; las piedras pueden ser lanzadas al aire por las cuchillas que rotan.
- Ajuste la cortadora de césped a la altura de corte máxima cuando corte el césped en terreno desigual o en pasto alto.
- Para triturar de manera efectiva, no corte pasto mojado; dicho pasto tiende a pegarse a la parte inferior de la plataforma, con lo cual previene la trituración adecuada del pasto cortado. El mejor momento para cortar el pasto es a última hora de la tarde, cuando el pasto está seco y el área recién cortada no estará expuesta a la luz solar directa.
- Para obtener el mejor rendimiento de trituración, ajuste la altura de corte para retirar aproximadamente un tercio de la longitud de las briznas de pasto, idealmente no más de 1-1/2 pulgadas (38 mm) a la vez. Si el pasto ha crecido demasiado, es posible que sea necesario aumentar la altura de corte para facilitar el corte de césped y prevenir la sobrecarga del motor. Reduzca el ritmo de corte en condiciones de pasto alto o grueso. Para triturar pasto sumamente grueso o alto, es aconsejable cortar primero usando un ajuste de la altura de corte grande y luego cortar de nuevo hasta una altura de corte más baja. **ASEGÚRESE SIEMPRE DE QUE LAS CUCHILLAS ESTÉN AFILADAS.**

MANTENIMIENTO

⚠ ADVERTENCIA Para evitar lesiones corporales graves, retire siempre los paquetes de batería de la cortadora de césped antes de realizar limpieza o efectuar cualquier mantenimiento.

⚠ ADVERTENCIA Cuando haga servicio de ajustes y reparaciones, utilice solo piezas de repuesto idénticas. Es posible que el uso de cualquier otra pieza cree un peligro o cause daños al producto. Para garantizar la seguridad y la confiabilidad, todas las reparaciones deberán ser realizadas por un técnico de servicio calificado.

LIMPIEZA DE LA CORTADORA DE CÉSPED

⚠ ADVERTENCIA Retire siempre el paquete (los paquetes) de batería de la cortadora de césped cuando haga limpieza o realice cualquier mantenimiento. El lado inferior de la plataforma de la cortadora de césped se deberá limpiar después de cada uso, ya que se acumularán pasto cortado, hojas, suciedad y otros residuos. Esta acumulación es indeseable, ya que promoverá la formación de óxido y la corrosión. Luego, elimine cualquier acumulación de pasto y hojas que esté en el eje de transmisión y el ventilador del motor o alrededor de los mismos (no use agua). Limpie la cortadora con un paño húmedo.

REEMPLAZO DE LAS CUCHILLAS

⚠ ADVERTENCIA Una cuchilla desgastada, agrietada o dañada se puede romper, y los pedazos de la cuchilla dañada se pueden convertir en proyectiles peligrosos. Los objetos lanzados al aire pueden causar lesiones graves. Inspeccione regularmente las cuchillas y no utilice la cortadora de césped con una cuchilla desgastada o dañada.

⚠ ADVERTENCIA Protéjase siempre las manos usando guantes gruesos o envolviendo los bordes de corte con trapos u otros materiales cuando realice cualquier mantenimiento en las cuchillas de la cortadora de césped. Retire siempre el paquete (los paquetes) de batería cuando realice servicio de ajustes y reparaciones o transporte la cortadora de césped.

AVISO Las siguientes herramientas (no incluidas con la cortadora de césped) se necesitan para reemplazar las cuchillas:

- Llave de tuerca ajustable de 9/16 de pulgada (14 mm) (se recomienda una llave de impacto de 9/16 de pulgada [(14 mm)])

- Llave de torsión de 9/16 de pulgada (14 mm)
- Destornillador manual o varilla metálica con un diámetro de 1/4 de pulgada (6,35 mm)
- Destornillador manual o varilla metálica con un diámetro de 5/16 de pulgada (8 mm)

Para desinstalar las cuchillas

1. Pare el motor y retire el paquete (los paquetes) de batería y la bolsa de pasto de la cortadora de césped.
2. Voltee la cortadora de césped sobre uno de sus lados.
3. Inserte una varilla metálica (estabilizador 1) con un diámetro de 5/16 de pulgada (8 mm) \varnothing o menos en el agujero del estabilizador para evitar que la cuchilla rote al aflojar el perno.
4. Utilice una llave de tuerca de 9/16 de pulgada (14 mm) para girar el perno de la cuchilla EN SENTIDO CONTRARIO AL DE LAS AGUJAS DEL RELOJ con el fin de aflojarlo (Fig. 15a).

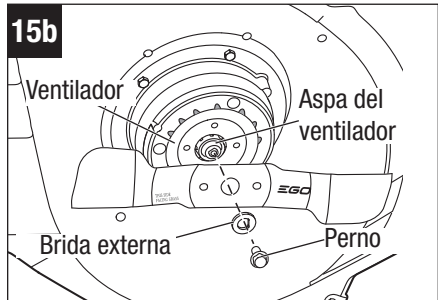
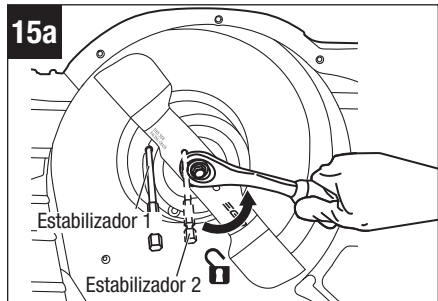
AVISO Si el perno rota con el eje del motor al aflojar dicho perno, coloque otra varilla metálica con un diámetro inferior a 1/4 de pulgada (6,35 mm) dentro de los agujeros alineados de la cuchilla y el ventilador para que actúe como estabilizador 2.

5. Desinstale la brida externa y la cuchilla (Fig. 15b).
6. Deje el ventilador en el eje del motor. Asegúrese de que la paleta del ventilador esté orientada hacia la plataforma (Fig. 15b).

Para reemplazar las cuchillas

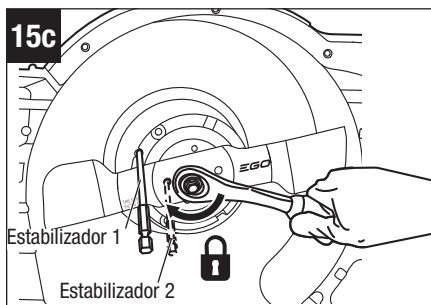
AVISO Para reinstalar o reemplazar las cuchillas, asegúrese de reemplazar las piezas en el orden exacto en que se retiraron.

7. Posicione la cuchilla sobre la brida interna del ventilador con la superficie marcada



con las palabras “**THIS SIDE FACING GRASS**” (ESTE LADO ORIENTADO HACIA EL PASTO) orientadas hacia el exterior.

8. Alinee la brida externa con el eje y realice el ensamblaje en la posición correcta.
9. Monte el perno en el eje y apriete el perno con los dedos EN EL SENTIDO DE LAS AGUJAS DEL RELOJ.
10. Inserte la varilla metálica de la manera que se muestra en la Fig. 15c.
11. Utilice la llave de torsión de 9/16 de pulgada (14 mm) para apretar el perno EN EL SENTIDO DE LAS AGUJAS DEL RELOJ. La fuerza de torsión recomendada para el perno de la cuchilla es de 36–43 pies-lb (50–60 Nm).



12. Repita el proceso para la segunda cuchilla.

AVISO Si el perno rota con el eje del motor al aflojar dicho perno, inserte una varilla metálica pequeña con un diámetro inferior a 1/4 de pulgada (6,35 mm) para que actúe como estabilizador 2.

AFILADO DE LAS CUCHILLAS

Una cuchilla desafilada se puede afilar, pero una cuchilla que esté excesivamente desgastada, doblada, agrietada o dañada de alguna otra manera debe ser reemplazada. Una cuchilla desgastada o dañada se puede romper y con ello hacer que pedazos de la cuchilla sean lanzados al aire desde la cortadora de césped.

Si se comprueba que una cuchilla está doblada, lleve la cortadora de césped a un centro de servicio EGO autorizado para que sea inspeccionada. No intente nunca enderezar una cuchilla doblada calentándola ni soldar una cuchilla agrietada o rota.

⚠ ADVERTENCIA Protéjase siempre las manos usando guantes gruesos o envolviendo los bordes de corte con trapos u otros materiales cuando realice cualquier mantenimiento en las cuchillas de la cortadora de césped. Retire siempre los paquetes de batería cuando realice servicio de ajustes y reparaciones o transporte la cortadora de césped.

⚠ ADVERTENCIA Use protección ocular adecuada mientras desinstala, afila y reinstala las cuchillas.

⚠ ADVERTENCIA Una cuchilla desgastada, agrietada o dañada se puede romper, y los pedazos de la cuchilla dañada se pueden convertir en proyectiles peligrosos. Los objetos lanzados al aire pueden causar lesiones graves. Inspeccione regularmente las cuchillas y no utilice la cortadora de césped con una cuchilla desgastada o dañada.

AVISO Mantenga afiladas las cuchillas para obtener el mejor rendimiento de corte. Una cuchilla desafilada no corta el pasto de manera limpia ni tritura correctamente.

Frecuencia de afilado

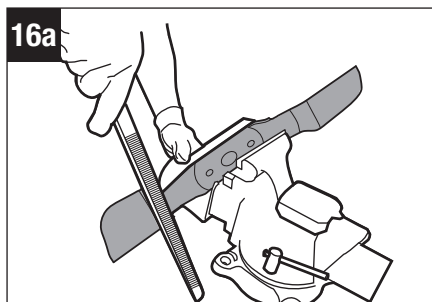
Afilan las cuchillas dos veces durante una temporada de corte de césped generalmente es suficiente en circunstancias normales. La arena hace que las cuchillas se desfilen rápidamente; si su césped tiene terreno arenoso, es posible que se sea necesario afilar las cuchillas con más frecuencia.

Cuando afile las cuchillas:

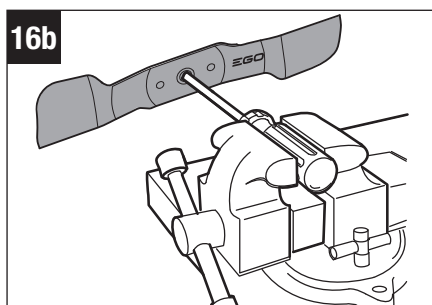
- Asegúrese de que la cuchilla permanezca equilibrada.
- Afile la cuchilla con el ángulo de corte original.
- Afile los bordes de corte en ambos externos de la cuchilla, retirando una cantidad igual de material de cada extremo.

Para afilar una cuchilla en una prensa de tornillo:

1. Retire la cuchilla de la cortadora de césped.
2. Fije la cuchilla en una prensa de tornillo (Fig. 16a).
3. Use protección ocular adecuada y guantes adecuados, y tenga cuidado de no cortarse.



4. Lime cuidadosamente los bordes de corte de la cuchilla con una lima de dientes finos o una piedra de afilar, manteniendo el ángulo original del borde de corte.



5. Para comprobar el equilibrio de las cuchillas: sujete con abrazaderas un clavo o un destornillador con vástago redondo en posición horizontal. Posicione la cuchilla de manera que el clavo o el vástago redondo del destornillador soporte la cuchilla a través de su agujero central. Equilibre la cuchilla horizontalmente. Si cualquiera de los dos extremos de la cuchilla rota hacia abajo, retire un poco de metal del extremo más pesado o inferior hasta que la cuchilla está equilibrada. Está equilibrada cuando ninguno de los dos extremos se cae (Fig. 16b).

6. Reinstale la cuchilla en la cortadora de césped y apriétela firmemente.

⚠ ADVERTENCIA Una cuchilla desequilibrada causará vibración excesiva cuando rote a altas velocidades. Es posible que cause daños a la cortadora de césped y se podría romper y con ello causar lesiones corporales.

LUBRICACIÓN DE LA CORTADORA DE CÉSPED.

Todos los cojinetes de este producto están lubricados con una cantidad suficiente de lubricante de alta calidad para la vida útil de la unidad en condiciones de utilización normales. Por lo tanto, no se requiere lubricación adicional de los cojinetes.

REEMPLAZO DE LAS RUEDAS (Fig. 17a, 17b)

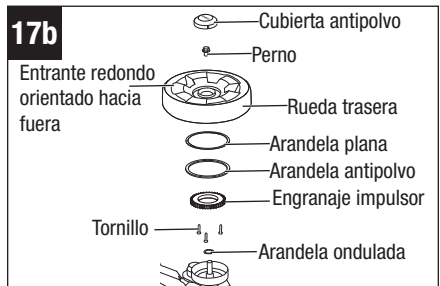
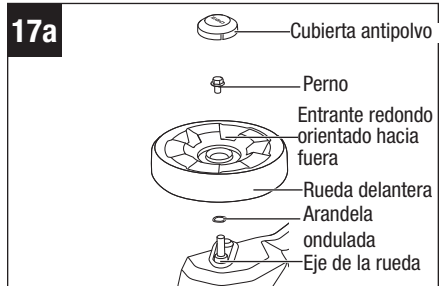
⚠ ADVERTENCIA Retire siempre los paquetes de batería cuando haga servicio de ajustes y reparaciones de la cortadora de césped o la transporte.

1. Voltee la cortadora de césped sobre uno de sus lados con la parte superior de la cortadora de césped contra la pared.
2. Utilice un destornillador de hoja plana (no incluido) para hacer palanca en la cubierta antipolvo para alejándola de la rueda.
3. Utilice una llave de tuerca ajustable o de 1/2 pulgada (13 mm) para girar el perno en sentido contrario al de las agujas del reloj con el fin de aflojarlo.

4. Retire el perno, la rueda desgastada y la arandela ondulada del eje de la rueda.

NOTA:

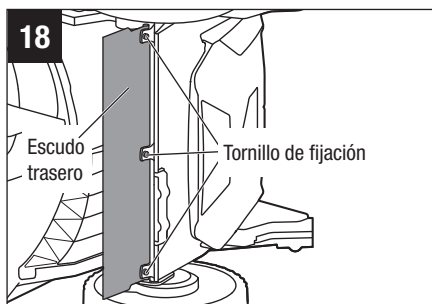
- Cuando reemplace la rueda trasera, retire la arandela plana, la arandela antipolvo y el engranaje impulsor de la rueda desgastada y ensámblelos en la rueda nueva con los 3 tornillos utilizando un destornillador Torx T20 (no incluido).
5. Monte la arandela ondulada y la rueda nueva en el eje de la rueda. Tenga presente que el entrante redondo debe estar orientado hacia fuera.
 6. Fije la rueda con el perno apretándolo en el sentido de las agujas del reloj.
 7. Monte la cubierta antipolvo sobre la rueda y presiónela en la posición correcta.



REEMPLAZO DEL ESCUDO TRASERO (Fig. 18)

⚠ ADVERTENCIA Retire siempre los paquetes de batería cuando haga servicio de ajustes y reparaciones de la cortadora de césped o la transporte.

⚠ ADVERTENCIA No utilice nunca la cortadora de césped a menos que el escudo trasero esté en la posición correcta y funcionando. No utilice nunca la cortadora de césped con dispositivos de seguridad dañados. Si no se hace así, el resultado puede ser lesiones corporales. El escudo trasero está sujeto a desgaste y daños, lo cual podría dejar al descubierto las piezas móviles o dejar que se lancen objetos al aire. Por protección de seguridad, compruebe frecuentemente el escudo trasero y reemplácelo inmediatamente si está desgastado o dañado, solo por la pieza de repuesto idéntica indicada en este manual.



1. Retire el paquete (los paquetes) de batería.
2. Voltee la cortadora de césped sobre uno de sus lados con la parte superior de la cortadora de césped contra la pared.
3. Utilice un destornillador Torx T20 (no incluido) para aflojar y retirar los tres tornillos de fijación ubicados en el escudo trasero; retire el escudo trasero desgastado (Fig. 18).
4. Reemplace el escudo trasero por uno nuevo e instálelo con los tres tornillos de fijación.

ALMACENAMIENTO DE LA CORTADORA DE CÉSPED

Se deberán realizar los siguientes pasos para preparar la cortadora de césped para almacenarla.

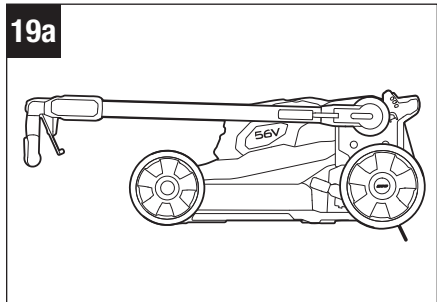
1. Retire el paquete de batería (los paquetes de batería) de la cortadora de césped y almacénelo (almacénelos) a temperatura ambiente en un lugar seco.
2. Vacíe la bolsa de pasto antes del almacenamiento.
3. Deje siempre que la cortadora de césped se enfríe antes de almacenarla.

4. Limpie la cortadora de césped tal como se describe anteriormente en la sección de "**MANTENIMIENTO**".
5. Inspeccione la cuchilla o las cuchillas y reemplácelas o afílelas, en caso de que se requiera.
6. Almacene la cortadora de césped en un lugar limpio y seco. No la almacene junto a materiales corrosivos, tales como fertilizante o sal de roca.
7. Almacene la cortadora de césped en un espacio cubierto y cerrado, que esté fresco y seco y fuera del alcance de los niños.
8. No cubra la cortadora de césped con una lámina de plástico macizo. Las cubiertas de plástico atrapan la humedad alrededor de la cortadora de césped, lo cual causa formación de óxido y corrosión.

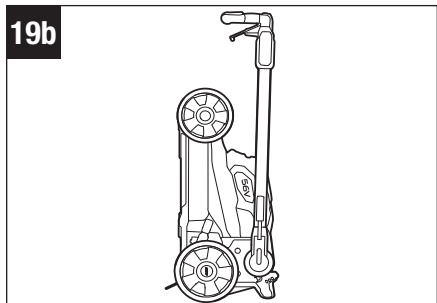
El ensamblaje de la abrazadera se puede plegar completamente para almacenamiento:

1. Desinstale la bolsa de pasto.
2. Ajuste la palanca de ajuste de la altura de corte delantera/trasera a la altura del ajuste más bajo.
3. Pliegue la agarradera hasta la posición de almacenamiento bloqueada. Consulte la sección "**AJUSTE DE LA AGARRADERA PLEGABLE**" de este manual.
4. Almacene la cortadora de césped en posición plana o en posición vertical (19a y 19b).

19a



19b



⚠ ADVERTENCIA Si la cortadora de césped se inclina desde la posición vertical, es posible que el resultado sea daños a la cortadora de césped o lesiones corporales. Mantenga siempre la cortadora de césped estable y fuera del alcance de los niños cuando esté en posición vertical. Se recomienda enfáticamente acostar siempre la cortadora de césped en posición plana para su almacenamiento.

RESOLUCIÓN DE PROBLEMAS

PROBLEMA	CAUSA	SOLUCIÓN
La cortadora de césped o el sistema de autopropulsión no arrancan.	<ul style="list-style-type: none"> La carga del paquete (los paquetes) de batería está agotada. 	<ul style="list-style-type: none"> Cargue el paquete (los paquetes) de batería.
	<ul style="list-style-type: none"> El paquete de batería o los paquetes de batería no están insertados correctamente en el compartimiento de las baterías. 	<ul style="list-style-type: none"> Inserte el paquete de batería en el compartimiento de las baterías hasta que oiga un "clic".
	<ul style="list-style-type: none"> La agarradera no está bloqueada en una posición de utilización y el indicador de estado de la cortadora de césped parpadea en verde. 	<ul style="list-style-type: none"> Detenga la cortadora de césped y asegúrese de que la agarradera esté bloqueada en una de las tres posiciones de utilización.
	<ul style="list-style-type: none"> La plataforma de la cortadora de césped está obstruida con pasto y residuos. 	<ul style="list-style-type: none"> Limpie la plataforma de la cortadora de césped y asegúrese de que las cuchillas tengan libertad de movimiento.
	<ul style="list-style-type: none"> El dial de velocidad de autopropulsión está en la posición más baja (APAGADO). 	<ul style="list-style-type: none"> Rote ligeramente hacia delante el dial de velocidad de autopropulsión y luego presione el gatillo de autopropulsión.

PROBLEMA	CAUSA	SOLUCIÓN
La cortadora de césped corta de manera desigual.	<ul style="list-style-type: none"> La cuchilla o las cuchillas están desafiladas. 	<ul style="list-style-type: none"> Afile o reemplace la cuchilla (las cuchillas)
	<ul style="list-style-type: none"> La altura de corte del pasto no está ajustada correctamente. 	<ul style="list-style-type: none"> Mueva la altura de la plataforma a un ajuste más alto.
	<ul style="list-style-type: none"> La cuchilla o las cuchillas están instaladas incorrectamente. 	<ul style="list-style-type: none"> Reinstale la cuchilla (las cuchillas), siguiendo la sección “INSTALACIÓN DE LAS CUCHILLAS” de este manual.
	<ul style="list-style-type: none"> El modo de velocidad de las cuchillas no está ajustado correctamente. 	<ul style="list-style-type: none"> Seleccione un modo de velocidad de las cuchillas que sea adecuado.
	<ul style="list-style-type: none"> Los ajustes de la altura de corte de pasto entre la rueda delantera y la rueda trasera no concuerdan. 	<ul style="list-style-type: none"> Ajuste la rueda delantera y la rueda trasera a una altura de corte idéntica.
Tiempo de funcionamiento corto de la cortadora de césped con la batería incluida.	<ul style="list-style-type: none"> Las condiciones del pasto y el ajuste de la altura de corte afectarán enormemente al tiempo de funcionamiento de la batería. El tiempo de funcionamiento indicado se basa en una situación de carga de trabajo ligera. 	<ul style="list-style-type: none"> Suba la altura de las cuchillas y disminuya el ritmo de trabajo para reducir la carga de corte.
	<ul style="list-style-type: none"> El modo de velocidad de las cuchillas no está ajustado correctamente. 	<ul style="list-style-type: none"> Seleccione un modo de velocidad de las cuchillas más lento.
La cortadora de césped no tritura correctamente.	<ul style="list-style-type: none"> El pasto cortado mojado se está pegando a la parte inferior de la plataforma. 	<ul style="list-style-type: none"> Espere hasta que el pasto se seque antes de cortarlo.
	<ul style="list-style-type: none"> La cortadora de césped está ajustada para cortar demasiado pasto a la vez. 	<ul style="list-style-type: none"> Suba la plataforma hasta una posición de altura de corte más alta.
	<ul style="list-style-type: none"> El modo de velocidad de las cuchillas no está ajustado correctamente. 	<ul style="list-style-type: none"> Ponga la velocidad de las cuchillas en un ajuste más bajo.

PROBLEMA	CAUSA	SOLUCIÓN
<p>La cortadora de césped se detiene inesperadamente mientras está cortando.</p>	<ul style="list-style-type: none"> La carga del paquete (los paquetes) de batería está agotada. 	<ul style="list-style-type: none"> Cargue el paquete (los paquetes) de batería.
	<ul style="list-style-type: none"> La cortadora de césped está sobrecargada y el indicador de estado de la cortadora de césped parpadea en naranja. 	<ul style="list-style-type: none"> Compruebe si se ha acumulado pasto debajo de la plataforma y límpiela para eliminar el pasto si es necesario. Suba la altura de corte o reduzca el ritmo de corte de césped.
	<ul style="list-style-type: none"> La plataforma de la cortadora de césped está obstruida con pasto y residuos. 	<ul style="list-style-type: none"> Desobstruya la plataforma de la cortadora de césped. Suba la altura de corte y/o corte una franja más estrecha.
	<ul style="list-style-type: none"> El paquete (los paquetes) de batería o la circuitería de la cortadora de césped están demasiado calientes. Si el paquete de batería o los paquetes de batería están sobrecalentados, el indicador de estado de la cortadora de césped se apaga. Si la cortadora de césped está sobrecalentada, el indicador de estado de la cortadora de césped se ilumina en naranja continuo. 	<ul style="list-style-type: none"> Deje que el paquete (los paquetes) de batería o la cortadora de césped se enfríen.
	<ul style="list-style-type: none"> El modo de velocidad de las cuchillas no está ajustado correctamente. 	<ul style="list-style-type: none"> Ponga la velocidad de las cuchillas en un ajuste más bajo.
	<ul style="list-style-type: none"> Hay un error del sistema electrónico y el indicador de estado de la cortadora de césped parpadea en rojo/verde alternadamente. 	<ul style="list-style-type: none"> Contacte a Servicio al Cliente de EGO.

PROBLEMA	CAUSA	SOLUCIÓN
Hay vibración excesiva.	<ul style="list-style-type: none"> El ajuste de la cuchilla (las cuchillas) de corte está flojo. 	<ul style="list-style-type: none"> Apriete el perno (los pernos) del eje.
	<ul style="list-style-type: none"> La cuchilla o las cuchillas de corte están desequilibradas. 	<ul style="list-style-type: none"> Equilibre el ajuste de las cuchillas siguiendo “AFILADO DE LAS CUCHILLAS”.
	<ul style="list-style-type: none"> La cuchilla o las cuchillas de corte están dobladas. 	<ul style="list-style-type: none"> Reemplace la cuchilla (las cuchillas).
	<ul style="list-style-type: none"> El eje del motor está doblado. 	<ul style="list-style-type: none"> Contacte a Servicio al Cliente de EGO.
	<ul style="list-style-type: none"> La cortadora de césped está ajustada para cortar demasiado pasto a la vez. 	<ul style="list-style-type: none"> Suba la plataforma hasta una posición de altura de corte más alta.
	<ul style="list-style-type: none"> El modo de velocidad de las cuchillas no está ajustado correctamente. 	<ul style="list-style-type: none"> Ponga la velocidad de las cuchillas en un ajuste más bajo.
El motor funciona, pero la cuchilla o las cuchillas no cortan el pasto.	<ul style="list-style-type: none"> El perno o los pernos del eje no están apretados con la fuerza de torsión requerida. 	<ul style="list-style-type: none"> Reapriete el perno (los pernos) del eje. La fuerza de torsión recomendada es de 36-43 pies-lb (50-60 Nm).



GARANTÍA LIMITADA DE EGO

TÉRMINOS Y DURACIÓN DE LA PÓLIZA DE GARANTÍA

Chervon North America, Inc., (“Chervon North America, Naperville, IL 60563”), proporciona la siguiente Garantía Limitada para los productos EGO al comprador original de productos EGO.

El período de garantía detallado de cada producto EGO se puede encontrar en línea en <http://egopowerplus.com/warranty-policy>.

Sírvase contactar a Servicio al Cliente de EGO llamando gratis al 1-855-EGO-5656 en cualquier momento en que tenga preguntas o reclamos de garantía.

GARANTÍA LIMITADA DE SERVICIO

Los productos EGO están garantizados contra defectos de material o de fabricación a partir de la fecha de compra minorista original durante el período de garantía aplicable. Para cualquier reclamo de garantía presentado de manera adecuada y oportuna, si Chervon North America determina que un producto presenta algún defecto durante el período de garantía, dicho producto recibirá una reparación o un remplazo gratuitos, según lo determine Chervon North America.

CÓMO OBTENER SERVICIO

Para obtener servicio de garantía, dentro del período de garantía aplicable, sírvase contactar a servicio al cliente de EGO llamando gratis al 1-855-EGO-5656. Cuando solicite servicio de garantía, deberá presentar el recibo de venta fechado original. Se seleccionará un centro de servicio autorizado para evaluar y reparar el producto si el mismo presenta algún defecto de acuerdo con los términos establecidos en la garantía. Cuando lleve su producto al centro de servicio autorizado, es posible que se requiera un pequeño depósito cuando deje allí su herramienta. Este depósito es reembolsable cuando se considere que el servicio de reparaciones esté cubierto bajo garantía. El comprador es responsable del transporte de cualquier equipo o aditamento de energía para exteriores a sus expensas.

LIMITACIONES Y EXCLUSIONES ADICIONALES

Esta garantía limitada se aplica solo al comprador original que realice la compra a un minorista EGO autorizado y no es transferible. Los productos EGO no serán considerados defectuosos, y esta garantía no se aplicará, en los casos en que el defecto por el que se presente el reclamo sea atribuible a cualquier causa que no sea los defectos definidos anteriormente en este documento. Esta garantía quedará anulada si el producto se ha utilizado para fines de alquiler. Esta garantía no se aplicará a daños causados por accidente, abuso, uso incorrecto, alteración, modificación, reparación no autorizada, contacto con líquidos, incendio, terremoto u otra causa externa; utilización del producto sin seguir las instrucciones, especificaciones o pautas de EGO; o no hacer servicio de ajustes y reparaciones o no mantener adecuadamente el producto. Esta garantía tampoco se aplica a los daños cosméticos, incluyendo, pero sin limitarse a ello, rasguñaduras o abolladuras; defectos causados por el desgaste por el uso normal o defectos que de alguna otra manera se deban al envejecimiento normal del producto.

ESTA GARANTÍA EXPRESA SE DA EN LUGAR DE TODAS LAS DEMÁS GARANTÍAS, EXPRESAS O IMPLÍCITAS, INCLUYENDO, PERO SIN LIMITARSE A ELLO, TODAS LAS GARANTÍAS DE COMERCIABILIDAD O IDONEIDAD PARA UN PROPÓSITO O USO EN PARTICULAR, LAS CUALES QUEDAN EXCLUIDAS. Todas las garantías implícitas, incluyendo las garantías de comerciabilidad o idoneidad para un propósito en particular, que no se puedan excluir bajo la ley estatal, están limitadas al período de garantía aplicable definido al comienzo de este artículo. El remedio único y exclusivo en conexión con la compra, instalación, uso y/o rendimiento de los productos EGO es la reparación o el reemplazo del producto tal y como lo determine Chervon North America. La responsabilidad máxima de Chervon North America no excederá en ningún caso el precio de compra pagado por el producto. CHERVON NORTH AMERICA NO SERÁ RESPONSABLE ANTE EL USUARIO NI ANTE NADIE MÁS POR DAÑOS EMERGENTES, INCIDENTALES, ESPECIALES, EJEMPLARES, INDIRECTOS O PUNITIVOS QUE SURJAN DEL USO DE LOS PRODUCTOS, INCLUYENDO, PERO SIN LIMITARSE A ELLO, LESIONES CORPORALES, MUERTE, DAÑOS MATERIALES, GANANCIAS PERDIDAS U OTROS PERJUICIOS ECONÓMICOS. Esta garantía le confiere a usted derechos legales específicos y es posible que usted tenga también otros derechos que varían de un estado a otro. Algunos estados no permiten limitaciones en cuanto a la duración de una garantía implícita, la exclusión o limitación de los daños incidentales o emergentes, o las limitaciones al tiempo para emprender ciertas acciones legales, por lo que las limitaciones contenidas en el presente documento no se aplican a los consumidores individuales de esos estados.



Esta garantía está sujeta a la ley de Michigan y se interpretará de acuerdo con dicha ley, con independencia de los principios sobre conflictos de leyes. No se emprenderá ninguna acción legal contra Chervon North America a menos que se presente dentro del plazo de un (1) año después de que se tenga conocimiento de la base de dicha acción legal o de la cual se debiera haber tenido conocimiento con el ejercicio de una diligencia razonable. Se considerará que se ha renunciado a cualquier acción legal que no se presente oportunamente.

Para obtener servicio al cliente, contáctenos llamando gratis al: **1-855-EGO-5656** o **escribiendo a EGOPOWERPLUS.COM**. EGO Customer Service, 769 SEWARD AVE NW / Suite 102 Grand Rapids, MI 49504

09/25

156 CORTADORA DE CÉSPED DE 30 PULGADAS INALÁMBRICA DE ION LITIO DE 56 V —
LM3000SP/LM3000SP-FC