

Pure Clean*



PUCRC675

Pure Clean Smart Vacuum Cleaner

Automatic Robot Cleaning Vacuum,
Auto Charge Docking Station

User Manual

**All the pictures in the User Manual are for reference only.
Please refer to the actual items in the package.**

MENU

1. Wi-Fi Setup Instructions

2. Safety Instructions

3. Product Components

3.1 Name of Parts

3.2 Products Specifications

3.3 Product Characteristics

4. Instructions for Use

4.1 Attention

4.2 Remote Controller Instructions

4.3 Operating Instructions

5. Product Maintenance

5.1 Side Brush Cleaning and Replacement

5.2 Cleaning of Dust Box and Filter

5.3 Maintenance of Water Tank Components

5.4 Maintenance of Rolling Brush Components

5.5 Maintenance of Other Components

6. Common Faults

6.1 Common Faults

6.2 Replaceable Modules

WI-FI SETUP INSTRUCTIONS

1. Scan the QR code in Figure 1 to download and install **"WeBack"** APP, or download and install from other APP stores.



Figure 1

2. Open App, directly log in if you have a **"WeBack"** account; if not, you can select **"New User"** to sign up, and click on "+" after login.

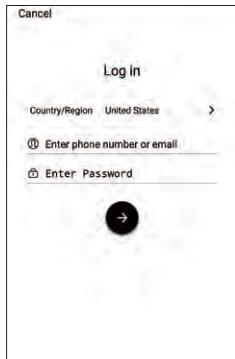


Figure 2



Figure 3

3. Scan the QR code on the device or the QR code on the right side, or manual input the QR code/Barcode to confirm the device model, turn on the **"Power switch"** by following APP instructions and go to the next step.



Figure 4



To perfect the products, we keep the right of updating the APP and the software.
The final interface is subject to the actual products, thank you.

4. When you see the APP enter interface Figure 5, you can start using APP to control your ROBOT. Tap the device to enter the main interface of APP (Figure 5), from this interface you can choose different cleaning modes, also to check the cleaning process/status. Tap the “more” Key (Figure 6) to enter the multi-functional panel (Figure 7).



Figure 5

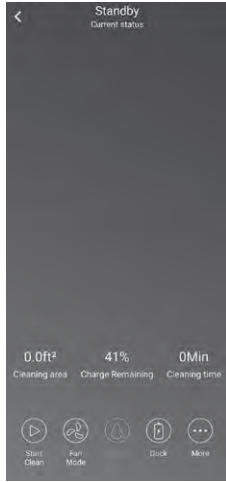


Figure 6

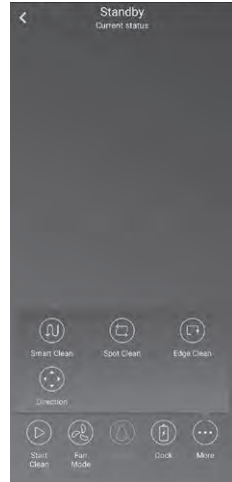


Figure 7

5. On the device management page, click the button "[⚙️]" (Figure 8), in the upper right corner of the device to enter the settings page (Figure 9).



Figure 8

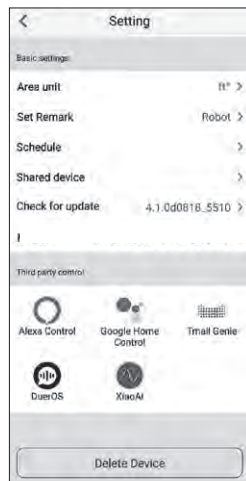


Figure 9

SAFETY INSTRUCTION

Before using this product, please read the safety instructions below and follow all the routine safety precautions.

Please read the Instructions carefully and keep them for future reference. Any operation that does not conform to the instructions may cause damage to the product.

Safety Considerations of Main Body and Accessories

⚠ WARNING

1. Do not disassemble, repair or refit the product without authorization; otherwise it may damage the product or pose a hazard.
2. Do not use the product in an environment with risk of fire or explosion.
3. This product can only use the original power adapter; otherwise the product may be damaged or catch fire.
4. Do not stand or sit on this product; doing so could damage the product or cause it to fall over.
5. When the metal part of the power plug is dusty, please wipe it with a dry cloth.
6. The power adapter is applied to a 100-240V AC voltage. Please plug into the socket properly and keep away from children.
7. Do not wash or soak the main body and electronic accessories in water; otherwise the product may be damaged by a short circuit.
8. Do not damage, load weight on, heat, pull, or bend it.
9. During cleaning, please pay attention to the safety of toddlers and elders at home to avoid tripping, and please do not touch the wheel & side brush to avoid injury. (Please pay special attention to toddlers).
10. This product is for home use. Please do not use it outdoors.
11. Do not allow metal and conductive materials to come in contact with the battery; doing so may cause a short circuit.

⚠ ATTENTION

1. Do not touch the product with wet hands; doing so may cause an electric shock.
2. Do not place the product in places where it could easily fall, such as tables, chairs, high platforms in room, etc.
3. The product has a sophisticated design and should be protected from long-term exposure to sunlight.

4. Do not use the product in humid environments, such as bath rooms.
5. Do not place the product near cigarette butts, lighters or other open fires.
6. Please clean the product after charging.
7. Turn off the power switch on the side of the robot when the product is out of service for a long time.
8. Please check carefully to see if the power adapter is connected to the socket prior to use, to avoid damage to the robot.
9. Before using the product, please remove all vulnerable items on the floor, such as glass, lamps, and items such as wires and curtains that may entangle with the side brush and suction passages.
10. When the dust box is full, please empty the garbage before using again.
11. Please do not use the robot to clean construction waste.
12. The operating temperature of the product ranges from 0 degrees Celsius to 40 degrees Celsius; please do not use it in a high temperature environment.
13. Before the product is scrapped, please remove the battery from the robot. When you remove the battery, please ensure that the product is not connected to a power supply. Please recycle the battery safely for environmental protection.

Safety Considerations for Rechargeable Battery

⚠ DANGER

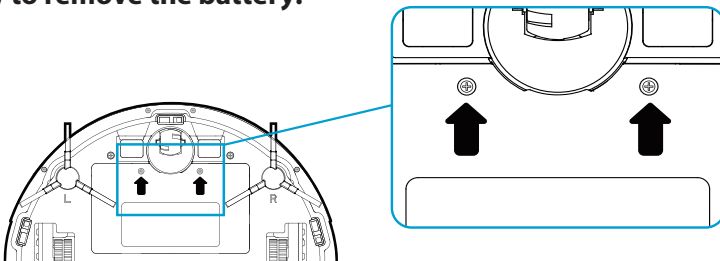
1. Always use a dedicated battery adapter to avoid leakage, heating or rupture.
2. Do not short-circuit the battery or remove the battery; doing so may cause leakage, heating or rupture.
3. Do not transport or preserve with necklaces, hairpins and other metal objects; doing so may lead to short circuit, resulting in leakage, heating or rupture.
4. Do not burn or heat the battery; doing so may cause leakage, heating or rupture.

ⓘ ATTENTION

1. If abnormal overheating is discovered during charging, stop using it immediately to avoid leakage, heating or rupture.
2. To prolong the service life of the battery, please remove the battery and place it in a cool, dry environment if it is out of service for a long time; this will avoid leakage, heating or rupture.
3. Do not soak it in water or let it come into contact with any liquid; otherwise it may cause leakage, heating or rupture.
4. Be sure to stop using it immediately in case of any exception (e.g. discoloration or deformation), to avoid leakage, heating or rupture.
5. Always use tape to insulate the battery's electrode when recycling or disposing of it.

⚠ WARNING

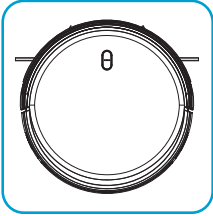
1. When skin or clothing is exposed to the battery electrolyte, immediately wash with clean water to avoid inflammation of skin, etc.
2. Do not use the rechargeable battery on other devices. This battery is only suitable for smart sweeping robots.
3. If the battery's outer box is found to be deformed and expanded, or leakage of electrolytes is found, do not charge or continue to use to avoid danger.
4. Do not throw or inflict a strong impact on the battery; doing so may cause leakage, heating or rupture.
5. Do not disassemble the battery pack; doing so may cause battery rupture and electrolyte outflow, leading to fire, explosion and other dangers.
6. **How to remove the battery:**



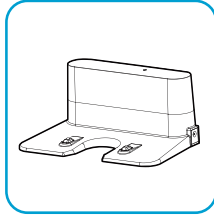
1. Take out two screws on the battery cover with a screw driver.
2. Take out the battery cover.
3. Take out the battery and unplug the electric wires to remove the battery.

PRODUCT COMPONENTS

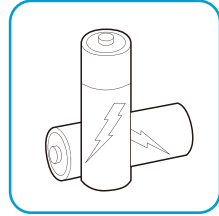
3.1 Names of Parts



Main Body



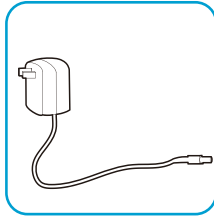
Charging Base



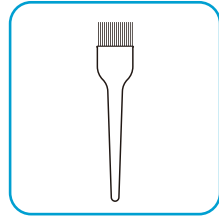
2*AAA Batteries
(Excluded)



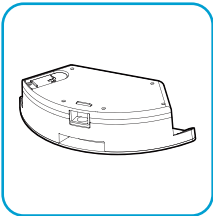
Remote controller



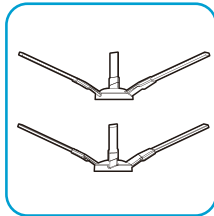
Power Adapter



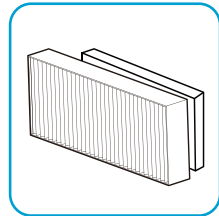
Cleaning Tool



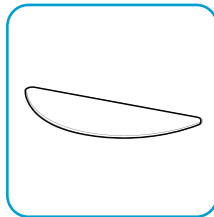
Water Tank
Component



Side Brush

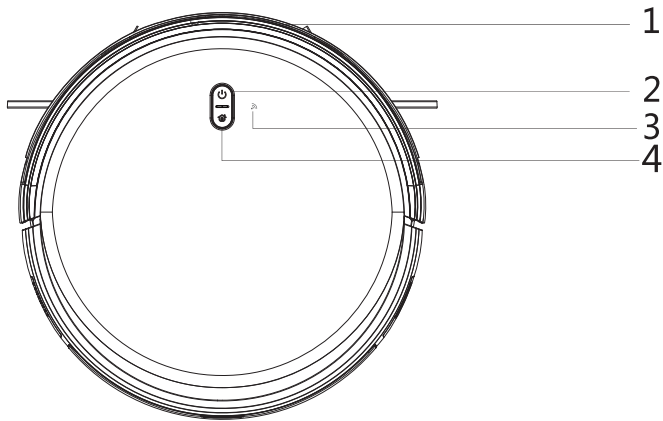


High-efficient Filter



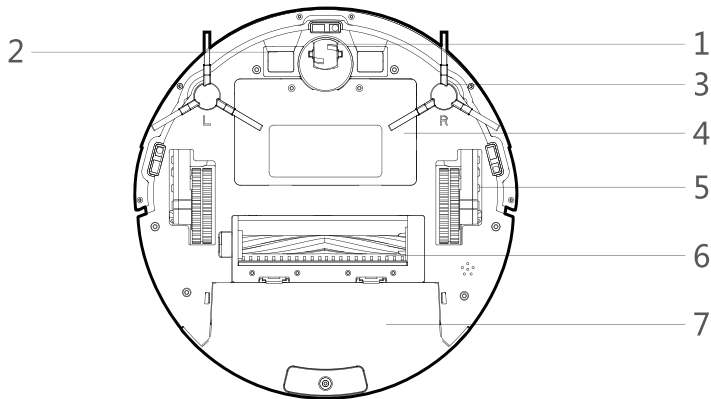
Mop

Accessories of some models may be slightly different and they are subject to the actual received products.



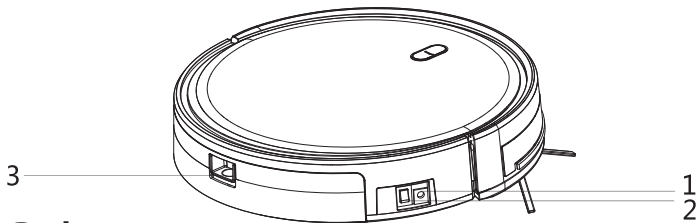
Main Body

1. Bumper 2. Power Button 3. Wi-Fi Indicator 4. Control Button



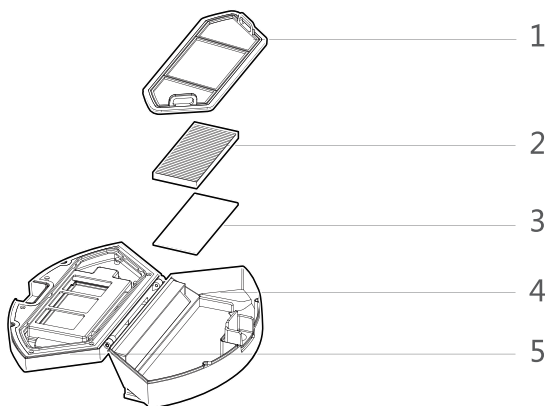
Main Body

1. Universal wheel 2. Electrode slice 3. Side brush 4. Battery cover
 5. Side wheel 6. Rolling brush components 7. Dust box



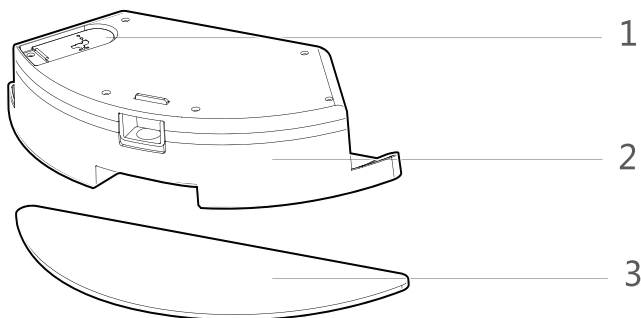
Main Body

1. DC power jack 2. Power switch 3. Dust box release button



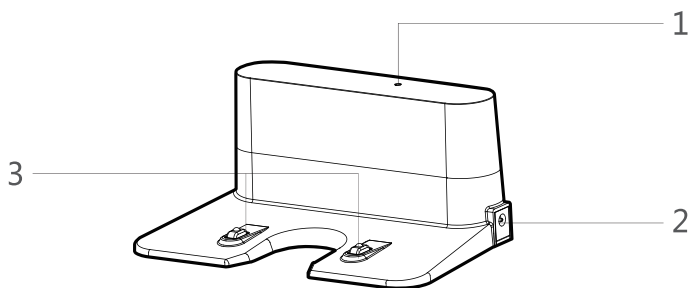
Dust Box

- 1. Per-filter
- 2. High-efficient filter
- 3. Filter sponge
- 4. Dust box
- 5. Dust box cover



Water Tank Component

- 1. Tank sealing cap
- 2. Water tank
- 3. Mop



Charging Base

- 1. Charging indicator
- 2. DC power jack
- 3. Charging terminal

3.2 Product Specifications

Features:

- Keep it Clean: Sweep, Dust & Vacuum
- Versatile & Convenient Floor Clean Ability
- Smart, Self-Programmed Cleaning Path Navigation
- Low-Profile Design Slides Underneath Furniture
- Anti-Fall Stair Sensors & Protective Bumper Housing
- Obstacle Detection Cleans Around Household Objects
- Works on Hardwood, Linoleum, Tile, Low/Hard Carpet Floors
- Convenient Dust Collection Bin Opens for Quick Disposal
- Automatic 'Bag-less' Design for Easy Cleaning
- One Button Operation
- Built-in Rechargeable Battery
- Dual Spinning Side Brush Lifts Debris
- Includes Charging/Power Adapter
- Perfect for the Home or Office

What's in the Box:

- Smart Robot Vacuum
- Rechargeable Battery
- Remote Control
- (1) US Plug/Power Adapter
- (2) Mop Cloth
- (1) Water Tank
- (2) Pairs Side Brush
- (2) HEPA Filter
- (1) Primary Filter
- (1) Charging Station

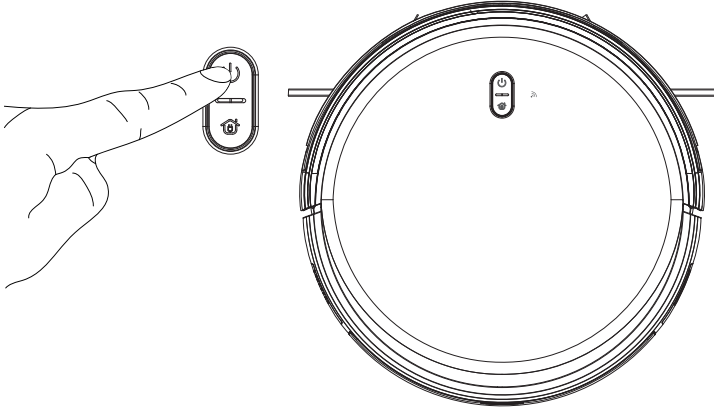
Technical Specs:

- Construction Material: ABS, POM
- Dust Bin Capacity: 0.6L
- Average Charge Time: 4 Hours
- Vacuum Operation Run-Time: 90 Minutes
- Battery Type: 14.8V Li-ion, 2600mAh - 22.2Wh
- Unit Average Power: 25W
- Suction Power: 2700pa
- Power Supply: 120/240V, 19V Power Adapter
- Low Noise: 65 dB
- Power Cable Length: 5.02 ft.
- Remote Control Battery Operated, Requires (2) x 'AAA' Batteries
- Dimensions (L x W x H): 11.81" x 11.81" x 2.91" -inches

3.3 Product Characteristics

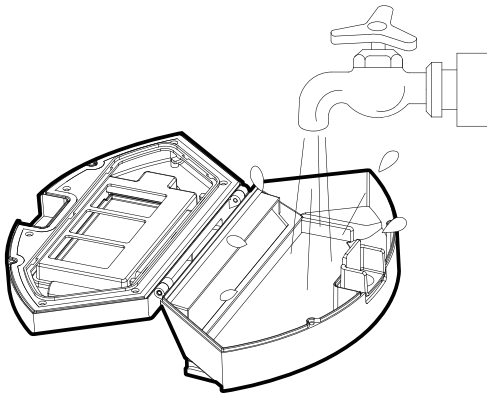
Multiple smart cleaning modes

4 cleaning modes are designed to suit different needs, which can be switched by the remote controller and App, greatly improves the cleaning efficiency and saves 30% of the power.



Humanized design

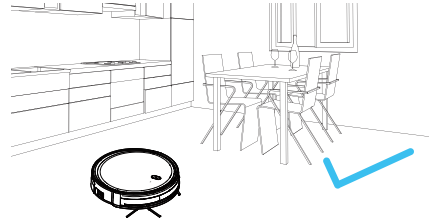
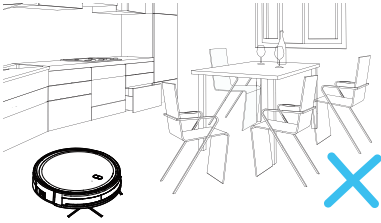
It is simple to operate, pressing the Control Button to start cleaning. Follow the Voice Prompt and let the robot start working for you.



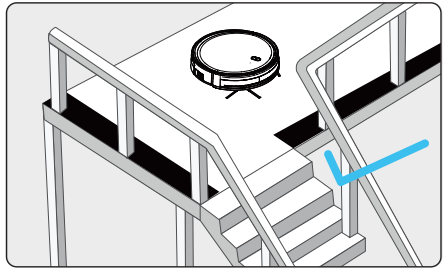
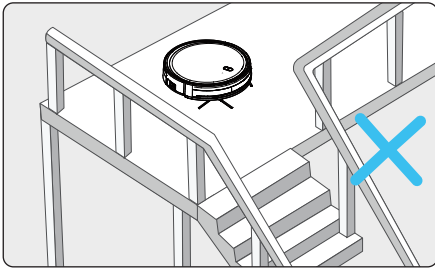
Dust box can be washed with water

The dust box and the pre-filter can be directly flushed with water without too much labor, which can avoid secondary pollution caused by dust flying.

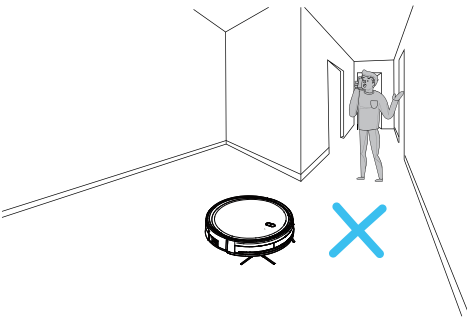
4.1 Attention



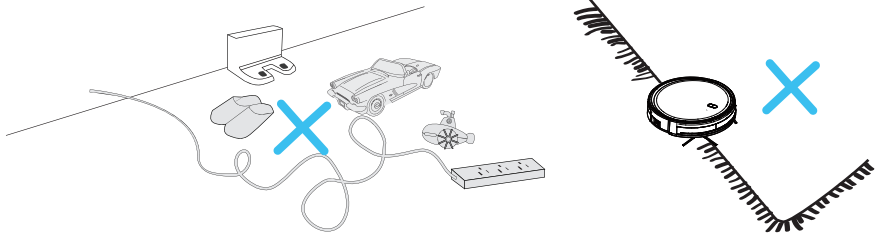
When it is working, please help to remove the unfriendly obstacles. Put the furniture and home appliances such as tables and chairs in the house neatly, the robot will clean up smoothly to give you a clean new home.



If the robot works at the stairway, the edge of the step, or the entrance to the narrow area among the furnitures, etc. please place a fence to ensure it is safe and running smoothly.

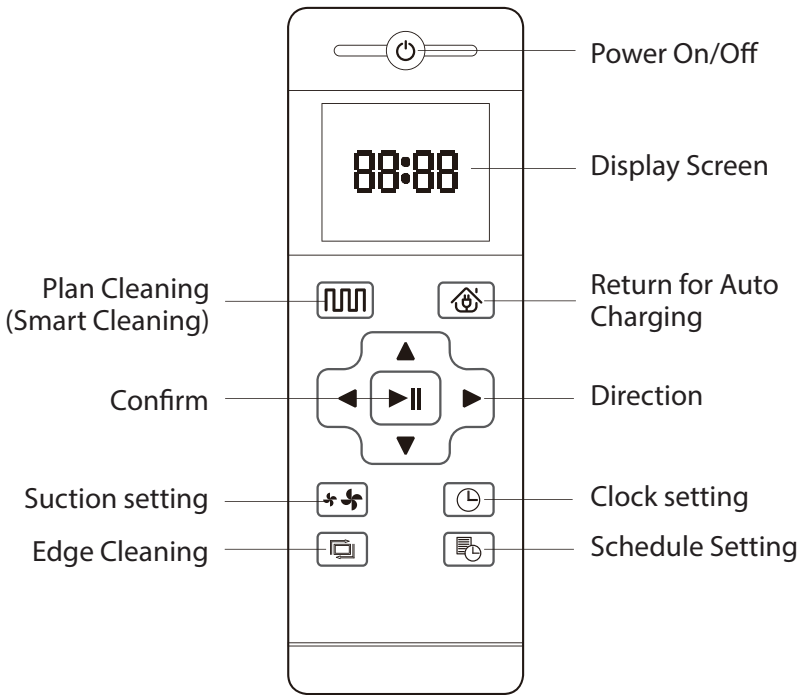


Do not stand in narrow places such as thresholds and aisles to avoid missing sweeping. When the robot is working, please ensure that the object with the thickness less than 1.8 cm is not placed in the cleaning area to prevent the machine from climbing and jamming.



Please pay attention to remove sundries, such as the power cords, toys, etc, which are scattered on the ground may catch or entangle the Robot. Do not use the mopping function on the carpet! If there is a carpet in the house, please roll up the edge of the carpet in advance.

4.2 Remote controller instruction



When the robot is in the vicinity of the charging base and the virtual protection wall, it may not be able to distinguish the instructions issued by the remote controller. If you do not use the remote controller for a long time, please remove the battery.

INSTRUCTIONS FOR USE

Plan Cleaning button

No matter what mode the robot is in, this button will bring it to the plan cleaning mode.

Return for Auto Charging

Pressing this button to shift the mode as recharging, and the logo will be displayed on the screen of the remote controller.

Forward/+

At the standby mode, press this button to continue moving forwards, and release it to return to standby mode. At the Schedule setting mode, press this button to increase the number.

Back Button/-

Press this button and robot will rotate 180 degrees in situ. In the modes of Schedule Setting and Clock Setting, press this button to decrease the number.

Left Arrow

At the standby mode, press this button to continue turning left, and release it to return to standby mode. At the Schedule setting mode, press this button to switch from minute to hour.

Right Arrow

At the standby mode, press this button to continue turning right, and release it to return to standby mode. At the Schedule setting mode, press this button to switch from hour to minute.

Confirm button

During operation, press this button to stop the robot, and it is still working at the pause. In the Schedule setting mode or Clock setting mode, this button can save all settings.




Suction Setting button

At any cleaning mode, press this button to adjust the suction power. There are Normal suction and Powerful Suction for your option.

Clock Setting button

Press this button to enter the Clock Setting mode and press the Confirm button to exit.

Schedule Setting button

At the standby mode, press this button to enter the Schedule Setting mode, and the display flashes icon . At the Schedule Setting mode, press this button to save the data and exit the Schedule Setting mode, and the display will always display the icon . At the Schedule setting mode, press this button for 3S to cancel the Schedule Setting function, and the displayed icon  will disappear.

Edge Cleaning button

Press this button to enter the Edge Cleaning mode.



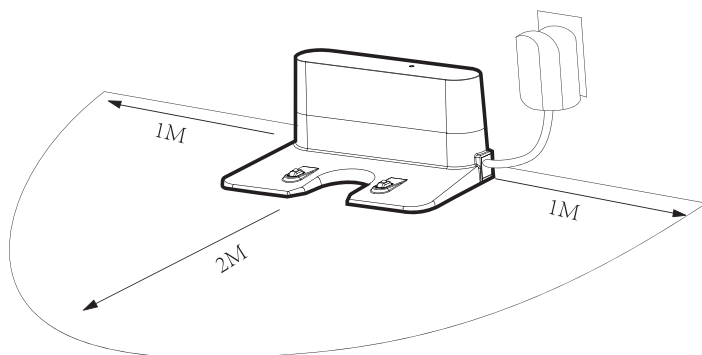
Display preset time



Display clock time

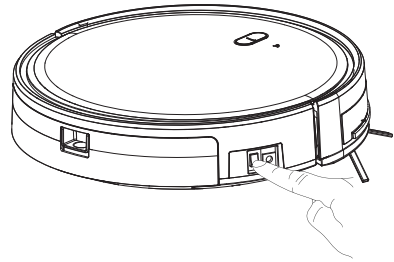
4.3 Operating Instructions

Placement of the Charging Base

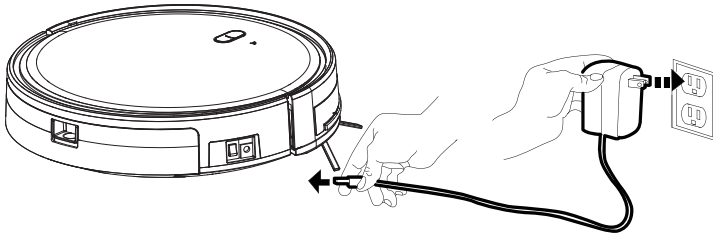


Place the charging base against the wall. Do not place any objects within 3.3 ft to the left/right and 6.6 ft to the front, and do not place any mirrors or other reflective objects within this distance.

Switch on the robot, which makes the Control button green, and enter the Selected mode. If the robot is not activated within 10 minutes, the robot will enter Sleep mode.

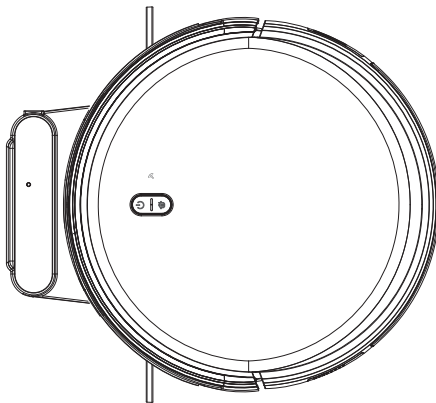


Charging modes



Please keep the power switch turned on before charging the machine.

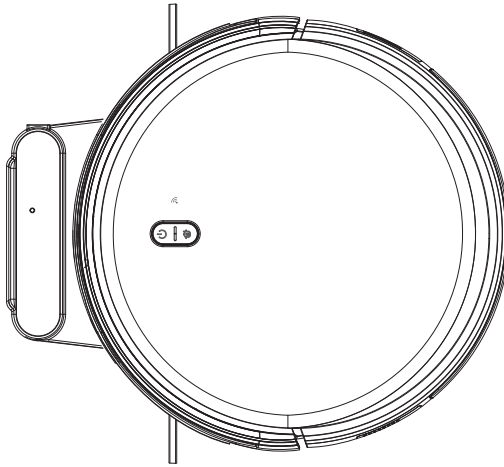
Charge mode A: Fix the charging pin into the DC power jack of the robot and plug in the power supply.



Please keep the power switch turned on before charging the machine.

Charge mode B: Press Return for Auto charging button on the remote controller or Press Recharge icon on App to auto dock the Robot with the charging base.

Automatic charging

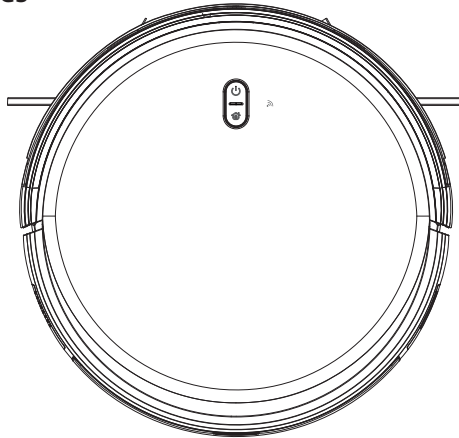


- Pressing the Return for Auto Charging on the remote controller to make the robot return for charging.
- When Cleaning is completed or the battery is too low, the robot will automatically start finding the charging base to charge itself.
- Keep the charging base energized, otherwise the machine will not be able to find the charging base.

Charging Instructions

1. The battery should be repaired and replaced by the after-sales service center.
2. For the very first operation, please let the robot run out of power.
3. When the robot is charged, the LED light of Control button will flash.
4. If the robot is out of service for a long time, please turn off the power switch.
5. Please charge the robot as soon as possible after the battery is used up.
6. The product can only use the power adapter and charger provided by the factory.
7. Please charge the robot for 12 hours for the first time of operation.
When the charge is done, the Control button light turns off.

Switching Modes



Startup

1. Make sure the power switch on the side of the robot is turned on.
2. Press the Control button or the Cleaning mode on the remote controller to start the robot.

Pause

The pause function is to switch the robot from the operating mode to the selected mode, and the robot can be paused by the following operations:

1. Press the Control button on the robot to pause the robot.
2. Press the power on/off button on the remote controller to pause the robot.

Notice: After the machine is paused, the machine can be reoperated.

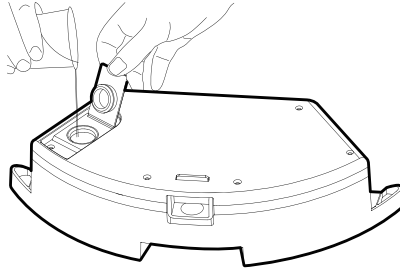
Sleep

Sleep mode means that the robot is stopped and the indicator light is off. If the Robot is not active within 10 minutes, the robot will enter Sleep mode automatically.

Note:

If the robot is out of service for a long time, please turn off the power switch.

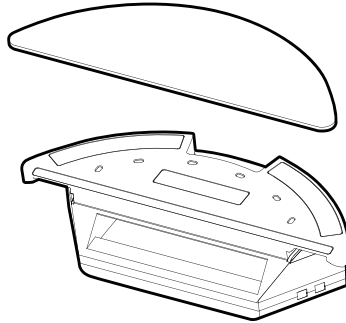
Use of Water Tank



When charging, please remove the water tank to avoid danger.

How to add water?

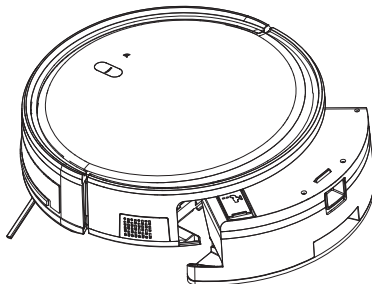
Open the tank sealing cap, fill it with enough water and slowly inject water into the water tank.



When charging, please remove the water tank to avoid danger.

How to fix the microfiber mop?

Seal the tank sealing cap, then fix the microfiber mop to the velcro on the bottom of the water tank.

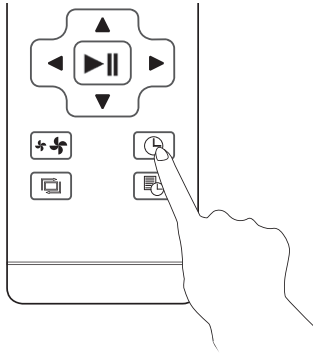


When charging, please remove the water tank to avoid danger.

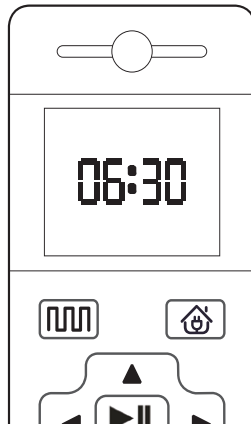
How to install the water tank?

Press the release button on the dust box to remove it then install the water tank.

Schedule Setting Cleaning

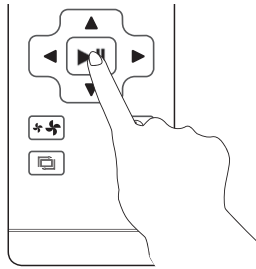


You can set the current local time on your robot by pressing the Clock Setting button on the remote controller, then press Confirm button.



- Once the power switch is turned off, all Schedule will be cancelled.
- Once the schedule setting is succeeded, the robot will start working at the scheduled time everyday.

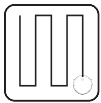
Press the "**Schedule Setting**" button to set the scheduled cleaning time for the robot.(e.g. Setting 6:30am to the robot, the robot will start cleaning at 6:30am every day at the standby mode.)



At the Schedule Setting mode, follow the voice prompts to confirm all your operations.

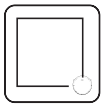
1. Press the Schedule Setting button to enter the Schedule Setting mode and set the schedule on the remote controller or APP.
2. If you need cancel the schedule, just press the Schedule Setting button for 3 seconds.

Cleaning Modes



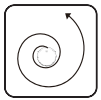
Plan Cleaning (S shape Cleaning)

The robot will perform the smart plan cleaning in S shape according to the room environment.



Edge Cleaning

The robot will clean along the longest edge of the room.



Spot Cleaning

The robot will perform the concentrated cleaning on a special dirty area. (APP controlled only)

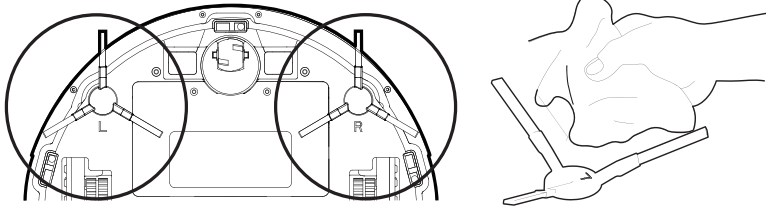
Mopping Mode

The Robot will perform the **S** shape cleaning with mop according to the room environment.

- Please do not move or remote control the robot while it is working, or it will replan the cleaning route and repeat cleaning.
- There is a normal phenomenon that the robot will perform with a brief pause during working. Please be patient, as it is thinking and making decisions or discovering where to clean.

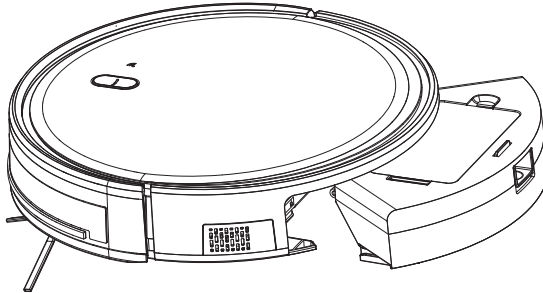
PRODUCT MAINTENANCE

5.1 Side Brush Cleaning and Replacement

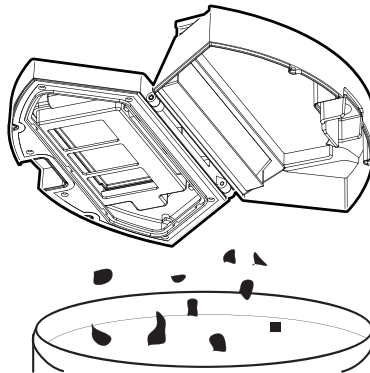


Check the side brush's condition frequently to see if it has been damaged or entangled with other objects. Clean the side brush with a cleaning tool or cloth. When the side brush is damaged and can not be used, please replace it as soon as possible. L and R correspond to each other.

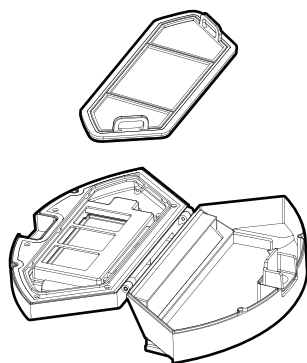
5.2 Cleaning of Dust Box and Filter



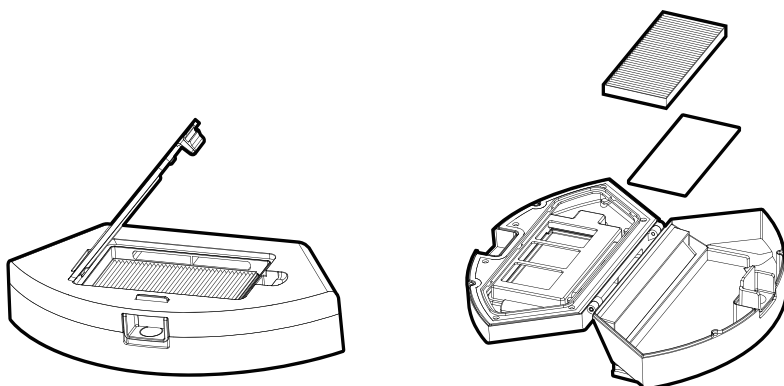
Press the release button to take out the dust box.



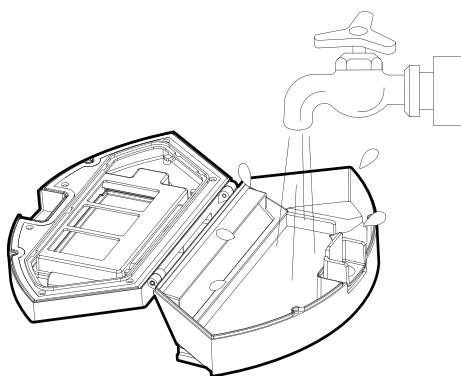
Dump all debris form the dust box into the garbage.



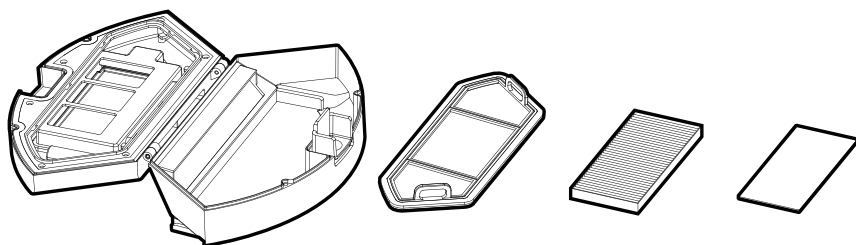
Remove the pre-filter.



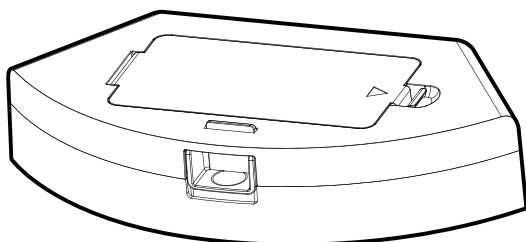
Open the high-efficient filter cover, and remove the high-efficient filter and filter sponge. It is not recommended to wash the high-efficient filter with water. Please pat off the debris carefully.



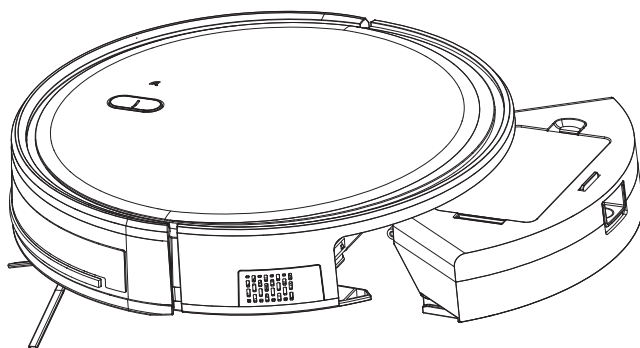
Wash the dust box and pre-filter.



1. Dry the dust box and filter components. Keep them dry to ensure a longer service.
2. After the pre-filter is used for 15~30 days, it should be washed once.
3. The maximum service life of the high-efficient filter is 3 months.

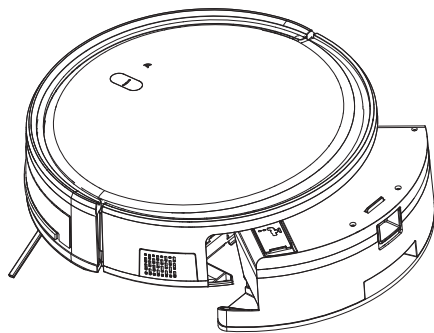


1. Reinstall the pre-filter and high-efficient filter in the dust box.
2. Before installing the filter, make sure that the high-efficient filter and the pre-filter are dry.
3. Do not expose the high-efficient filter and the pre-filter to sunlight.

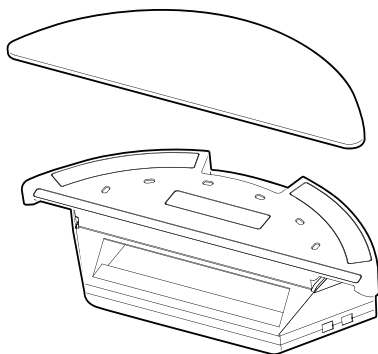


Cover the dust box and fix it into the main body.

5.3 Maintenance of Water Tank



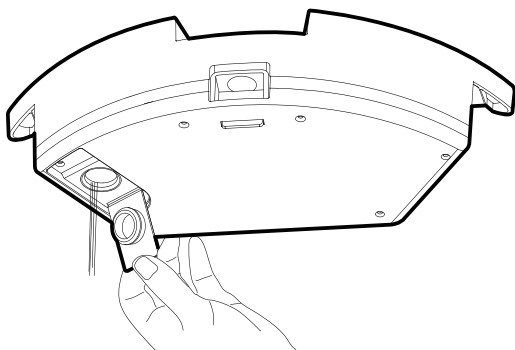
Press the release button to take out the water tank.



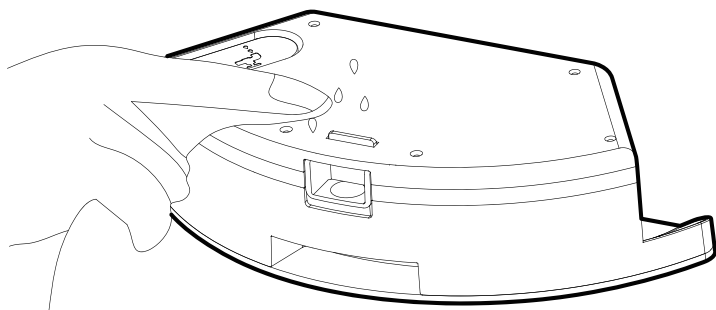
Remove the mop.



Wash and dry the mop.

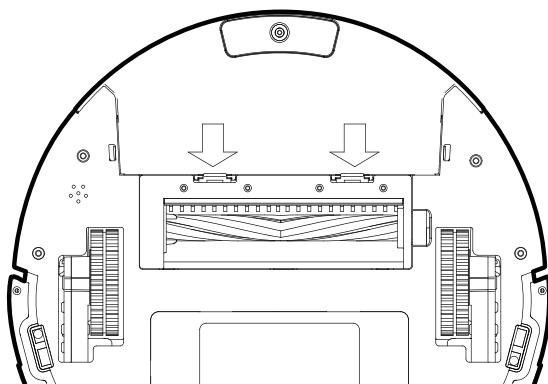


Pour out the rest of water from the water tank.

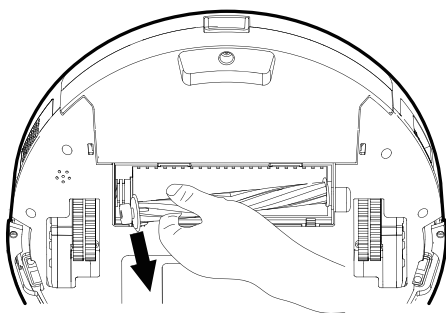


Clean the tank and dry it.

5.4 Maintenance of Rolling Brush Components

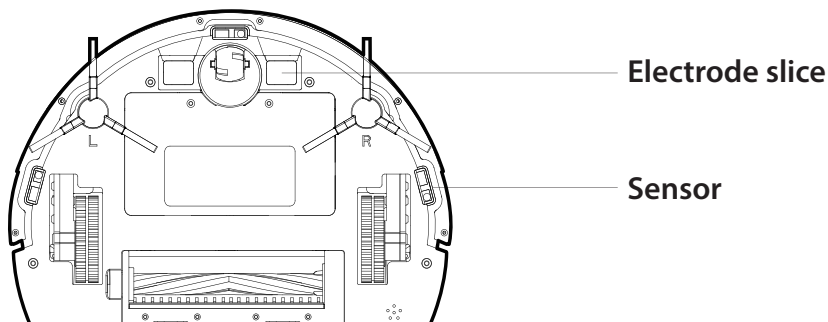


Open the rolling brush components.

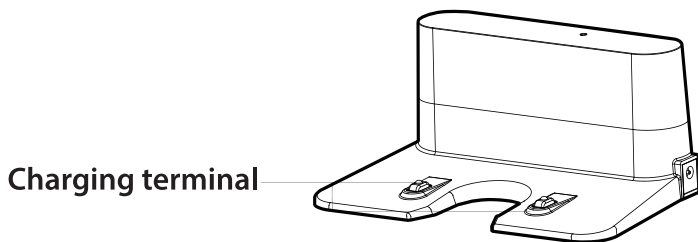


Remove the rolling brush and clean off all debris and hair.

5.5 Maintenance of Other Components



Use the cleaning tools or a dry soft cloth to periodically clean the electrode slice of robot chassis and the sensor window.



Use a cleaning tool or soft cloth to clean the charging terminal.

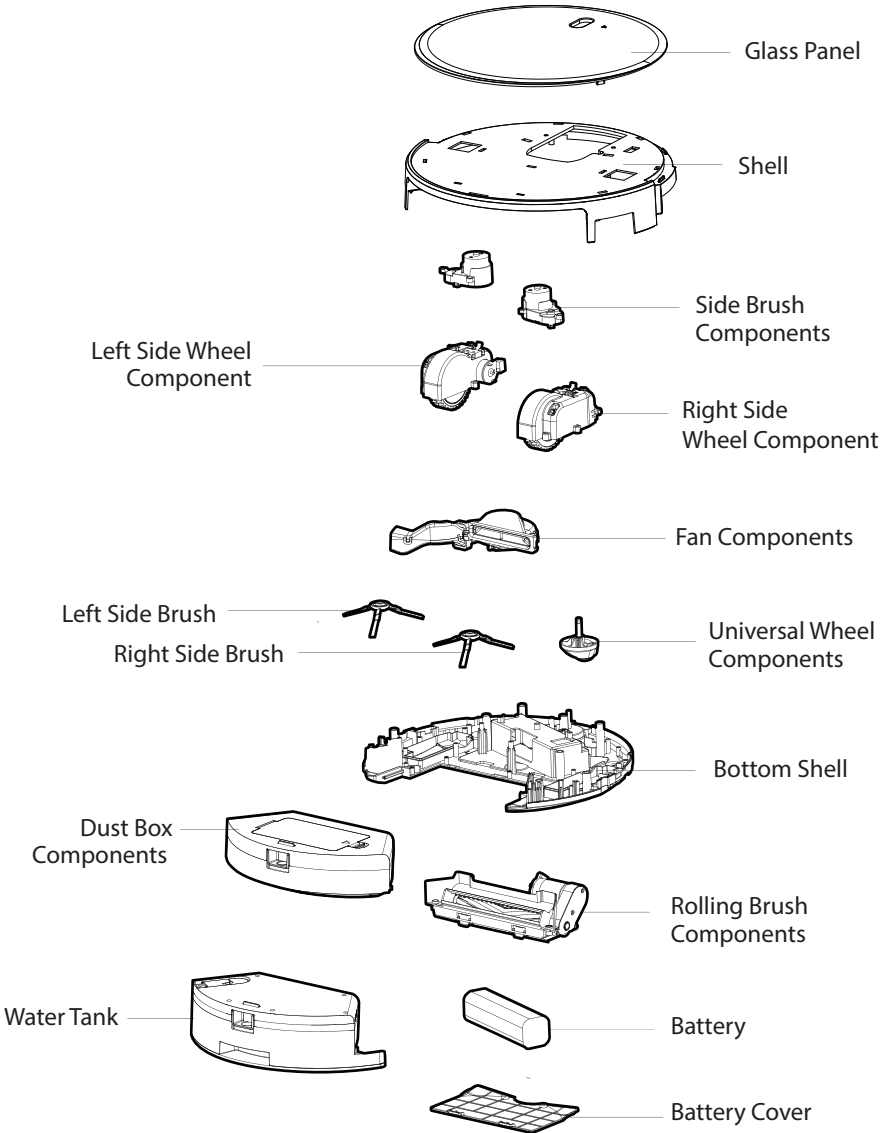
COMMON FAULTS

6.1 Faults Description

FAULTS	POSSIBLE REASONS	SOLUTIONS
The robot can not be charged	The electrodes between the main body and the charging base are not contacted properly.	Make sure that the electrodes between the main body and the charging base are properly contacted.
	The charging base is switched off while the robot is switched on, which leads to the loss of power.	Keep charging the robot when it is not working to better prepare for next cleaning assignment.
The robot is stuck during work	The robot may be stuck by wires/cables on the ground, hanging curtains or obstacles around the carpets.	The robot will try to get itself out automatically. However, please help it manually if it failed.
The robot goes back to recharge without finishing the cleaning work	The robot detects that the power may be not enough and automatically goes back to recharge.	Charge the robot.
	The robot works at different speeds on different floor types. For example, it works longer on the wood floors than on carpets.	The length of working time varies because of the complexities of room environments, the amount of garbage and different cleaning modes.
The robot does not perform cleaning work automatically as scheduled	The robot is not switched on and the robot can not perform cleaning work as scheduled when it is powered off.	Turn on the robot.
	The power level of the robot is too low to work.	Keep charging the robot when it is not working to better prepare for next cleaning assignment.
	The robot is stuck or twined by obstacles.	Turn off the robot and clean the dust box. Then turn over the robot to clean its components, such as wheels and side brushes.

FAULTS	POSSIBLE REASONS	SOLUTIONS
Remote control malfunctions (effective range is 5 m)	The remote controller is short of or out of power.	Change the batteries and install the batteries correctly.
	The robot is short of or out of power.	Make sure that the robot is switched on with enough power for operation
	The infrared ray is blocked because the infrared emitter on the remotecontroller or the infrared receiver in the robot is contaminated.	Wipe the infrared emitter on the remote controller or the infrared receiver on the robot with a clean cotton cloth.
	Interference emitted by other devices that exist nearby.	Avoid using the remote controller near other infrared devices
When the robot is working, there is a missed sweep, the route is chaotic, the deviation is reversed, and the APP side cleaning map shows irregularities and is not neat.	The drive wheel and the ground may slip due to the robot climbing small steps, thresholds and door bars, thus affecting the its judgment on the working environment of the whole house.	It is recommended to close the door in the area and clean the area separately. The robot has the function of self-identification single room. It will return to the starting.
	Work on a waxed, polished floor or smooth floortile, resulting in reduced friction between the drive wheel and the ground.	It is recommended that you clean the floor after the wax is air-dried.
	The wires, slippers, etc. placed on the ground affect the normal operation of the robot.	Before the machine is working, please arrange the scattered wires, slippers and other objects on the ground to minimize the scattered objects on the ground.

6.2 Replaceable Modules



Application:

The product is suitable for cleaning house, hotel rooms, and small offices and provides good cleaning for various floors, such as wooden floor, hard floor, tile floor, and short-pile carpets (short-pile should be shorter than 1.5cm), etc.

Pure Clean*

Questions? Issues?

We are here to help!

Phone: (1) 718-535-1800

Email: support@pyleusa.com