

KitchenAid®

GAS COOKTOP

Use & Care Guide

For questions about features, operation/performance, parts accessories or service, call: **1-800-422-1230**
In Canada, call for assistance **1-800-461-5681**, for installation and service, call: **1-800-807-6777** or visit our website at...
www.kitchenaid.com or www.KitchenAid.ca

TABLE DE CUISSON À GAZ

Guide d'utilisation et d'entretien

Au Canada, pour assistance composez le **1-800-461-5681**, pour installation ou service composez le **1-800-807-6777** ou visitez notre site web à...
www.KitchenAid.ca

Table of Contents/Table des matières..... 2



TABLE OF CONTENTS

COOKTOP SAFETY	2
PARTS AND FEATURES	4
COOKTOP USE.....	9
Cooktop Controls.....	9
Surface Burners	10
Surface Grates with Locator Pin.....	10
Ceramic Glass.....	11
Home Canning	11
Cookware	11
COOKTOP CARE.....	12
General Cleaning.....	12
TROUBLESHOOTING	12
ASSISTANCE OR SERVICE.....	13
WARRANTY	14

TABLE DES MATIÈRES

SÉCURITÉ DE LA TABLE DE CUISSON	15
PIÈCES ET CARACTÉRISTIQUES	17
UTILISATION DE LA TABLE DE CUISSON	22
Commandes de la table de cuisson	22
Brûleurs de surface	23
Grilles de surface avec ergot de positionnement	24
Vitrocéramique	24
Préparation de conserves à la maison.....	24
Ustensiles de cuisson	24
ENTRETIEN DE LA TABLE DE CUISSON	25
Nettoyage général	25
DÉPANNAGE.....	26
ASSISTANCE OU SERVICE.....	26
GARANTIE.....	27

COOKTOP SAFETY

Your safety and the safety of others are very important.

We have provided many important safety messages in this manual and on your appliance. Always read and obey all safety messages.



This is the safety alert symbol.

This symbol alerts you to potential hazards that can kill or hurt you and others.

All safety messages will follow the safety alert symbol and either the word "DANGER" or "WARNING." These words mean:

⚠ DANGER

You can be killed or seriously injured if you don't immediately follow instructions.

⚠ WARNING

You can be killed or seriously injured if you don't follow instructions.

All safety messages will tell you what the potential hazard is, tell you how to reduce the chance of injury, and tell you what can happen if the instructions are not followed.

WARNING: If the information in this manual is not followed exactly, a fire or explosion may result causing property damage, personal injury or death.

- Do not store or use gasoline or other flammable vapors and liquids in the vicinity of this or any other appliance.
- **WHAT TO DO IF YOU SMELL GAS:**
 - Do not try to light any appliance.
 - Do not touch any electrical switch.
 - Do not use any phone in your building.
 - Immediately call your gas supplier from a neighbor's phone. Follow the gas supplier's instructions.
 - If you cannot reach your gas supplier, call the fire department.
- Installation and service must be performed by a qualified installer, service agency or the gas supplier.

IMPORTANT SAFETY INSTRUCTIONS

WARNING: To reduce the risk of fire, electrical shock, injury to persons, or damage when using the cooktop, follow basic precautions, including the following:

- **CAUTION:** Do not store items of interest to children in cabinets above the cooktop – children climbing on the cooktop to reach items could be seriously injured.
- Proper Installation – The cooktop, when installed, must be electrically grounded in accordance with local codes or, in the absence of local codes, with the *National Electrical Code, ANSI/NFPA 70* or the *Canadian Electrical Code, Part 1*. Be sure the cooktop is properly installed and grounded by a qualified technician.
- This cooktop is equipped with a three-prong grounding plug for your protection against shock hazard and should be plugged directly into a properly grounded receptacle. Do not cut or remove the grounding prong from this plug.
- Disconnect the electrical supply before servicing the cooktop.
- Never Use the Cooktop for Warming or Heating the Room.
- Injuries may result from the misuse of the cooktop such as stepping, leaning, or sitting on the top surface.
- Maintenance – Keep cooktop area clear and free from combustible materials, gasoline, and other flammable vapors and liquids.
- Storage on the cooktop – Flammable materials should not be stored on or near surface units.
- Top burner flame size should be adjusted so it does not extend beyond the edge of the cooking utensil.

SAVE THESE INSTRUCTIONS

The California Safe Drinking Water and Toxic Enforcement Act requires the Governor of California to publish a list of substances known to the State of California to cause cancer, birth defects, or other reproductive harm, and requires businesses to warn of potential exposure to such substances.

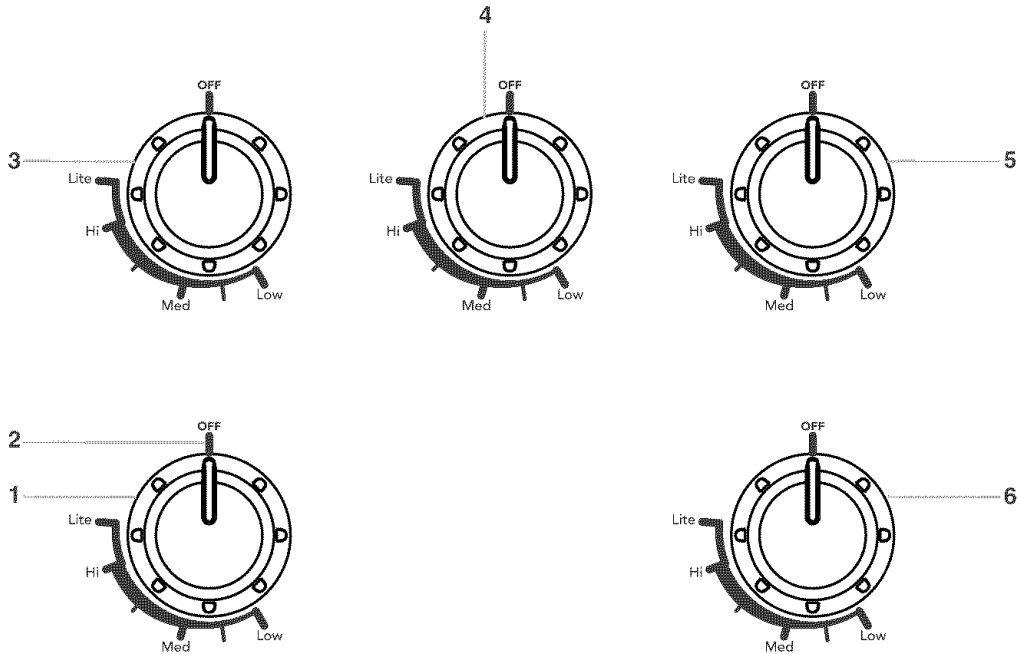
WARNING: This product contains a chemical known to the State of California to cause cancer, birth defects, or other reproductive harm.

This appliance can cause low-level exposure to some of the substances listed, including benzene, formaldehyde, carbon monoxide, toluene, and soot.

PARTS AND FEATURES

This manual covers several different models, and not all models are shown. The cooktop you have purchased may have some or all of the items listed. The locations and appearances of the features shown here may not match those of your model. All BTU ratings shown are for natural gas unless otherwise noted.

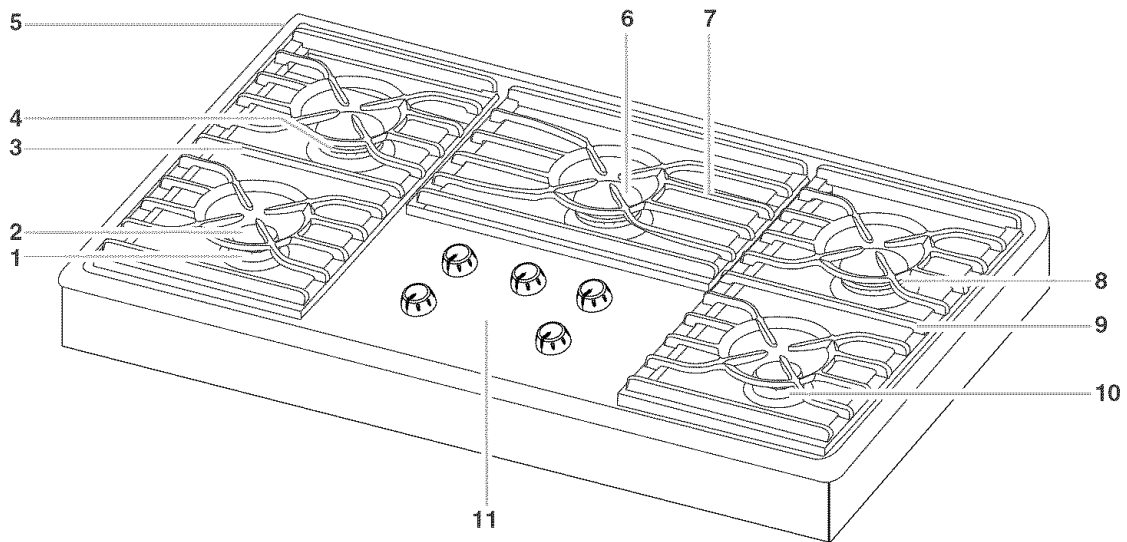
Model KGCV566 (36 in. [91.4 cm] shown)



1. Left Front Burner Control Knob
2. Control Knob Off Position

3. Left Rear Burner Control Knob
4. Center Rear Burner Control Knob (on 36" models only)

5. Right Rear Burner Control Knob
6. Right Front Burner Control Knob

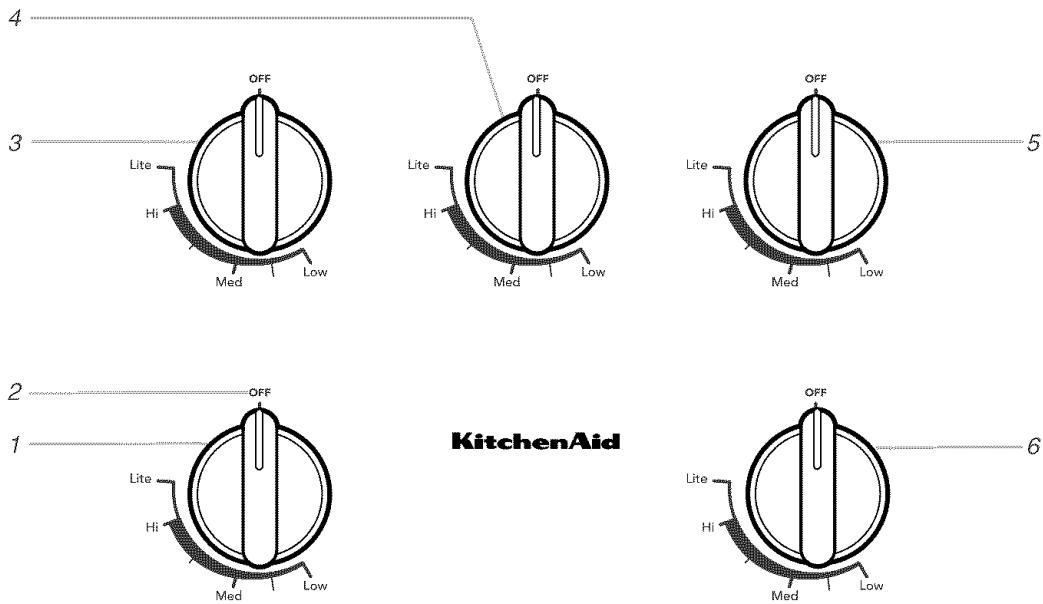


1. 14,000 BTU Burner
2. Surface Burner Cap
3. Left Surface Burner Grate
4. 6,000 BTU Burner

5. Model and Serial Number Plate (under cooktop)
6. 9,000 BTU Burner
7. Center Grate

8. 12,500 BTU Burner
9. Right Surface Burner Grate
10. 6,000 BTU Burner
11. Control Panel

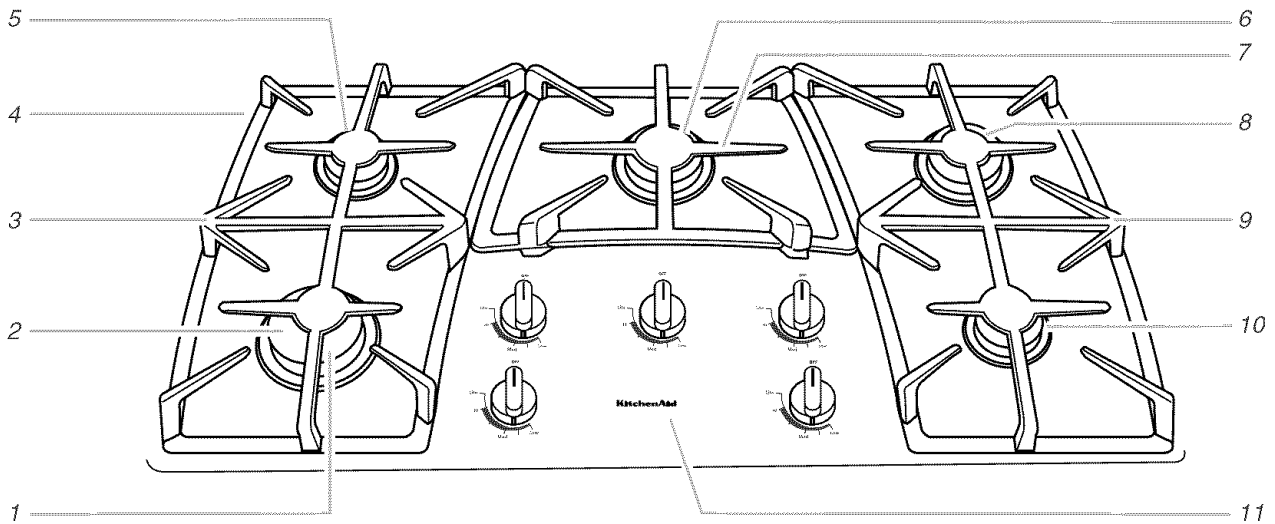
**Model KGCC566 (36 in. [91.4 cm] shown)
Model KGCC505 (30 in. [76.2 cm] not shown)**



1. Left Front Burner Control Knob
2. Control Knob Off Position

3. Left Rear Burner Control Knob
4. Center Rear Burner Control Knob
(on 36" models only)

5. Right Rear Burner Control Knob
6. Right Front Burner Control Knob

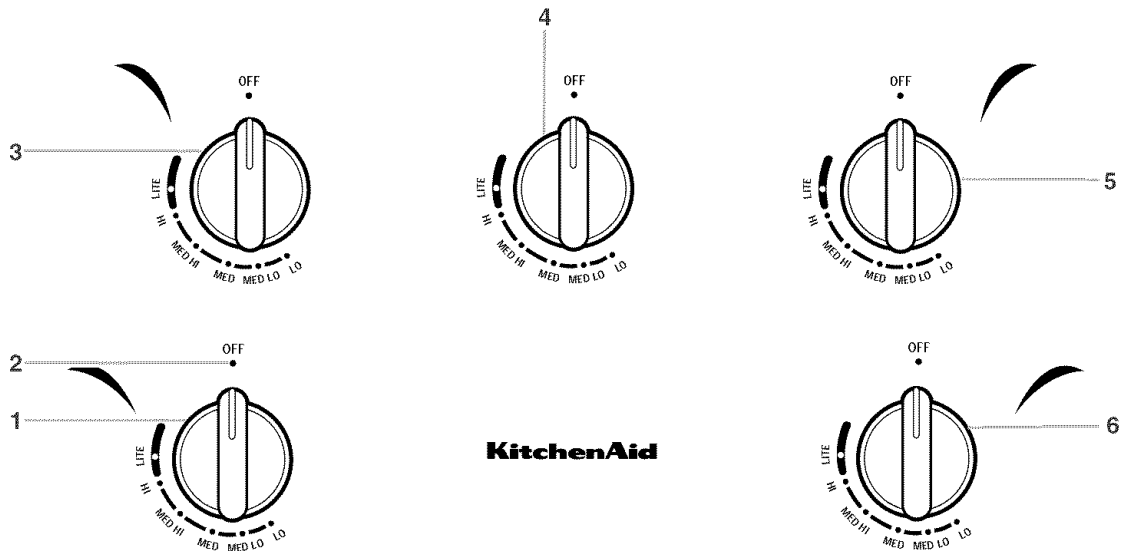


1. 14,000 BTU Burner
2. Surface Burner Cap
3. Left Surface Burner Grate
4. Model and Serial Number Plate
(under cooktop)

5. 6,000 BTU Burner (9,100 BTU Burner on 30" models)
6. 9,100 BTU Burner
(on 36" models only)
7. Center Grate

8. 12,500 BTU Burner
9. Right Surface Burner Grate
10. 6,000 BTU Burner
11. Control Panel

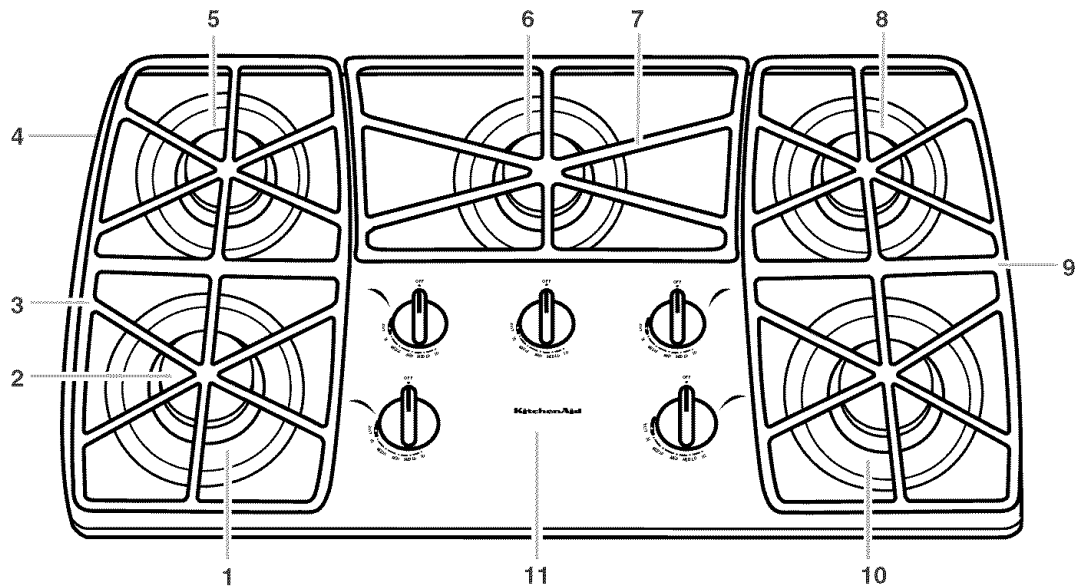
Model KGCS166 (36 in. [91.4 cm] shown)
 Model KGCS105 (30 in. [76.2 cm] not shown)



1. Left Front Burner Control Knob
 2. Control Knob Off Position

3. Left Rear Burner Control Knob
 4. Center Rear Burner Control Knob

5. Right Rear Burner Control Knob
 6. Right Front Burner Control Knob



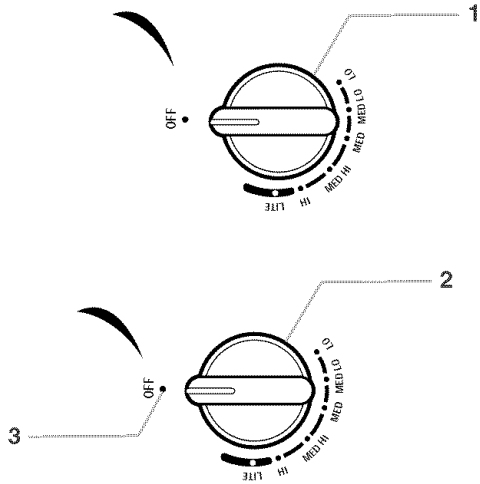
1. 14,000 BTU Burner
 2. Surface Burner Cap
 3. Left Surface Burner Grate
 4. Model and Serial Number Plate
 (under cooktop)

5. 6,000 BTU Burner (9,000 BTU Burner on 30"
 models)
 6. 9,100 BTU Burner
 (on 36" models only)
 7. Center Grate

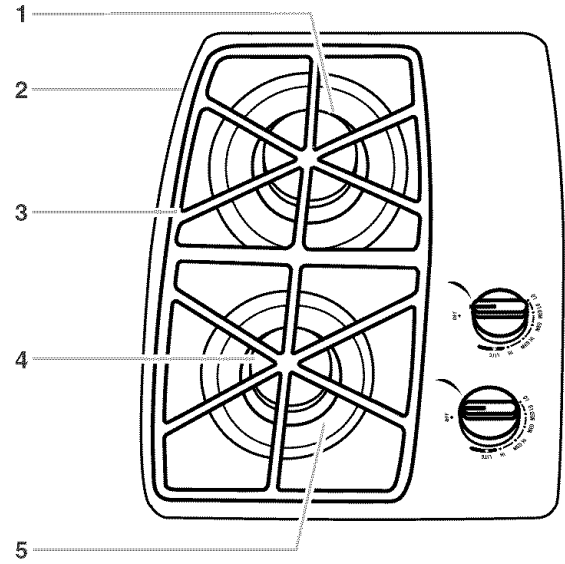
8. 12,500 BTU Burner
 9. Right Surface Burner Grate
 10. 6,000 BTU Burner
 11. Control Panel



**Model KGCR055 (15 in. [38.1 cm] L.P. Gas Version shown)
 Model KGCT055 (15 in. [38.1 cm] not shown)**

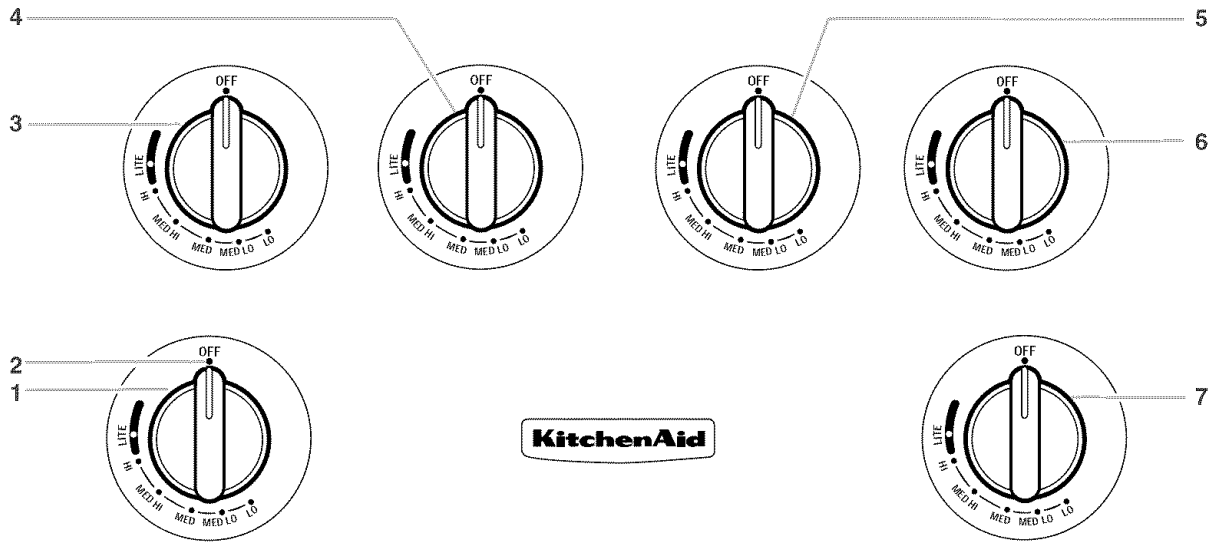


- 1. Rear Burner Control Knob
- 2. Front Burner Control Knob
- 3. Control Knob Off Position



- 1. 9,000 BTU Burner (on L.P. Gas model shown)
(12,500 on Natural Gas models)
- 2. Model and Serial Number Plate (under cooktop)
- 3. Surface Burner Grate
- 4. Surface Burner Cap
- 5. 5,000 BTU Burner (on L.P. Gas models shown)
(6,000 BTU Burner on Natural Gas models)

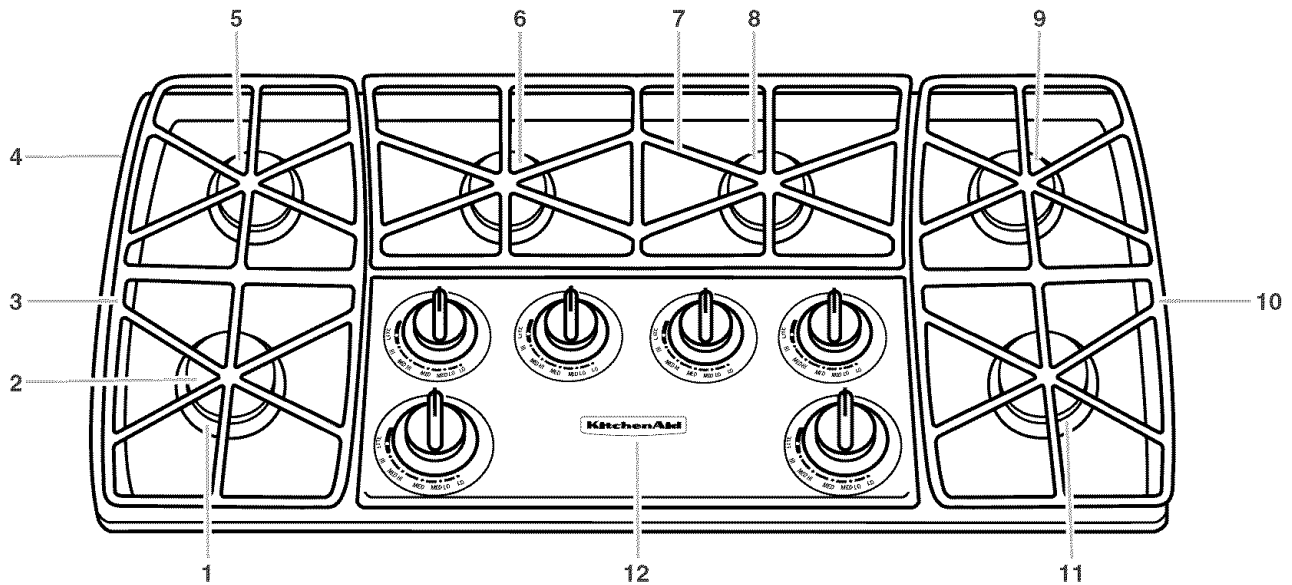
Model KGCS127 (43 in. [109 cm] shown)



- 1. Left Front Burner Control Knob
- 2. Control Knob Off Position

- 3. Left Rear Burner Control Knob
- 4. Center Left Rear Burner Control Knob
- 5. Center Right Rear Burner Control Knob

- 6. Right Rear Burner Control Knob
- 7. Right Front Burner Control Knob



- 1. 14,000 BTU Burner
- 2. Surface Burner Cap
- 3. Left Surface Burner Grate
- 4. Model and Serial Number Plate (under cooktop)

- 5. 9,000 BTU Burner
- 6. 6,000 BTU Burner
- 7. Center Grate
- 8. 9,000 BTU Burner

- 9. 12,500 BTU Burner
- 10. Right Surface Burner Grate
- 11. 6,000 BTU Burner
- 12. Control Panel



COOKTOP USE

Cooktop Controls

⚠ WARNING



Fire Hazard

Do not let the burner flame extend beyond the edge of the pan.

Turn off all controls when not cooking.

Failure to follow these instructions can result in death or fire.

IMPORTANT: Your cooktop is factory set for use with Natural Gas. If you wish to use L.P. Gas, an L.P. Gas Conversion Kit is included with your new cooktop. See the instructions included with the L.P. Gas Conversion Kit for details on making this conversion.

Electric igniters automatically light the surface burners when control knobs are turned to LITE.

The large burners (14,000 BTU [British Thermal Units] and 12,500 BTU) provide the highest heat setting, and are ideal for cooking large quantities of food or liquid, using large pots and pans. The small burners (9,000 BTU and 6,000 BTU) allow more accurate simmer control at the lowest setting, and are ideal for cooking smaller quantities of food, using smaller pots and pans.

Before setting a control knob, place filled cookware on the grate. Do not operate a burner while using empty cookware or without any cookware on the grate.

NOTE: Visually check that the burner has lit. If the burner does not ignite, listen for a clicking sound. If you do not hear the igniter click, TURN THE BURNER OFF. Check for a tripped circuit breaker or blown fuse.

Check that the control knob is pressed completely down on the valve shaft. If the spark igniter still does not operate, call a trained repair specialist.

Proper grounding and polarity are necessary for correct operation of the electric ignition system. If the wall receptacle does not provide correct polarity, the igniter will become grounded and occasionally click, even after the burner has ignited. Contact a trained repair specialist to check the wall receptacle to see whether it is wired with the correct polarity.

To Set:

1. Push in and turn knob counterclockwise to Lite.
All surface burners will click. Only the burner with the control knob turned to Lite will produce a flame.
2. Turn knob anywhere between Hi and Low. Use the following chart as a guide when setting heat levels.

SETTING	RECOMMENDED USE
Lite	■ Light the burner.
Hi	■ Start food cooking. ■ Bring liquid to a boil.
Med to Hi	■ Hold a rapid boil. ■ Quickly brown or sear food.
Med	■ Fry or sauté foods. ■ Hold a slow boil.
Med to Low	■ Cook soups, sauces and gravies. ■ Stew or steam foods.
Low	■ Keep food warm. ■ Melt chocolate or butter. ■ Simmer.

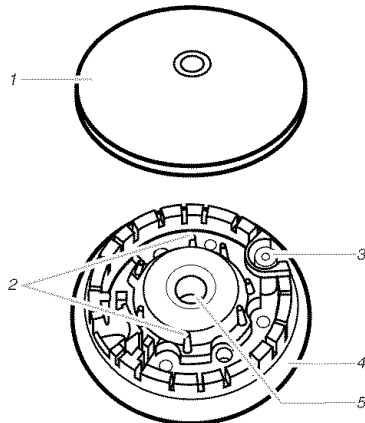
REMEMBER: When cooktop is in use, the entire cooktop area may become hot.

Surface Burners

IMPORTANT: Do not obstruct the flow of combustion and ventilation air around the burner grate edges.

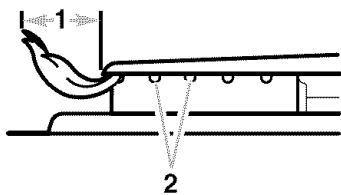
Before cleaning, make sure all controls are off and the oven and cooktop are cool. Do not use oven cleaners, bleach or rust removers.

Burner cap: Always keep the burner cap in place when using a surface burner. A clean burner cap will help prevent poor ignition and uneven flames. Always clean the burner cap after a spillover and routinely remove and clean the caps according to the "General Cleaning" section.



1. Burner cap
2. Burner base
3. Alignment pins
4. Igniter
5. Gas tube opening

Gas tube opening: Gas must flow freely throughout the gas tube opening for the burner to light properly. Keep this area free of soil and do not allow spills, food, cleaning agents or any other material to enter the gas tube opening. Protect it from spill overs by always using a burner cap.



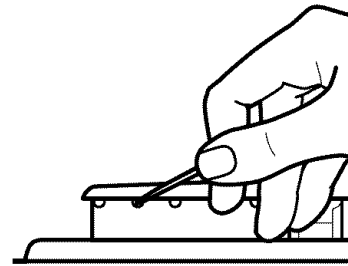
1. 1-1/2 in. (25-38 mm)
2. Burner ports

Burner ports: Check burner flames occasionally for proper size and shape as shown above. A good flame is blue in color, not yellow. Keep this area free of soil and do not allow spills, food, cleaning agents or any other material to enter the burner ports.

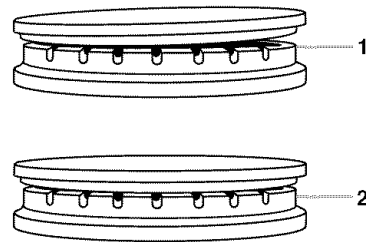
To Clean:

1. Remove the burner cap from the burner base and clean according to "General Cleaning" section.
2. Clean the gas tube opening with a damp cloth.

3. Clean clogged burner ports with a straight pin as shown. Do not enlarge or distort the port. Do not use a wooden toothpick. If the burner needs to be adjusted, contact a trained repair specialist.



4. Replace the burner cap, making sure the alignment pins on the cap are properly aligned with the burner base.



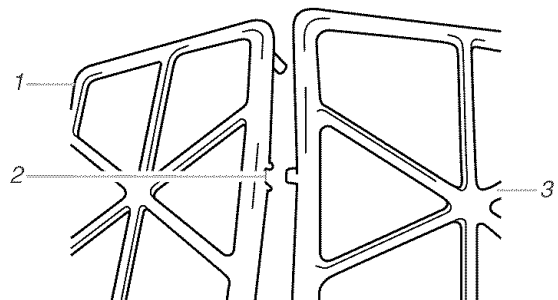
1. Incorrect
2. Correct

5. Turn on the burner. If the burner does not light, check cap alignment. If the burner still does not light, do not service the sealed burner yourself. Contact a trained repair specialist.

Surface Grates with Locator Pin (on some models)

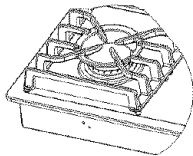
Surface Grates

The grates located on the left and right side of the cooktop contain grooves. These grooves must always face inward toward the control knob panel to hold the grates in place. On some models, the middle grate must be placed in position first, followed by the left and right grates.



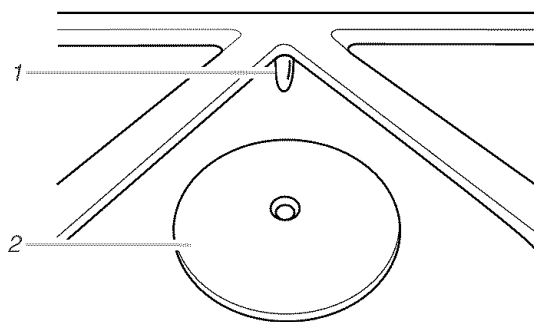
1. Left Grate
2. Groove
3. Middle Grate

On model KGCV566, the grates are located near the outside frame.



Locator Pin

On all models except for model KGCV566, the locator pin on the grate must be positioned in the burner cap hole to hold the grate in place.



1. Locator Pin
2. Burner Cap

Ceramic Glass

Wiping off the cooktop before and after each use will help keep it free from stains. For more information, see “General Cleaning” section.

- Do not store jars or cans above the cooktop. Dropping a heavy or hard object onto the cooktop could crack it.
- Do not allow objects that could melt, such as plastic or aluminum foil, to touch any part of the entire cooktop.
- Make sure the bottoms of pots and pans are clean and dry before using them. Residue and water can leave deposits when heated.

Home Canning

When canning for long periods, alternate the use of surface cooking areas, elements or surface burners between batches. This allows time for the most recently used areas to cool.

- Center the canner on the grate or largest surface cooking area or element. Canners should not extend more than 1 in. (2.5 cm) outside the cooking area.
- Do not place canner on two surface cooking areas, elements or surface burners at the same time.
- For more information, contact your local U.S. Government Agricultural Department Extension Office. In Canada, contact Agriculture Canada. Companies that manufacture home canning products can also offer assistance.

Cookware

IMPORTANT: Never leave empty cookware on a hot surface cooking area, element or surface burner.

Ideal cookware should have a flat bottom, straight sides, a well-fitting lid and the material should be of medium-to-heavy thickness.

Rough finishes may scratch the cooktop. Aluminum and copper may be used as a core or base in cookware. However, when used as a base they can leave permanent marks on the cooktop or grates.

Cookware material is a factor in how quickly and evenly heat is transferred, which affects cooking results. A nonstick finish has the same characteristics as its base material. For example, aluminum cookware with a nonstick finish will take on the properties of aluminum.

Use the following chart as a guide for cookware material characteristics.

COOKWARE	CHARACTERISTICS
Aluminum	<ul style="list-style-type: none"> ■ Heats quickly and evenly. ■ Suitable for all types of cooking. ■ Medium or heavy thickness is best for most cooking tasks.
Cast iron	<ul style="list-style-type: none"> ■ Heats slowly and evenly. ■ Good for browning and frying. ■ Maintains heat for slow cooking.
Ceramic or Ceramic glass	<ul style="list-style-type: none"> ■ Follow manufacturer's instructions. ■ Heats slowly, but unevenly. ■ Ideal results on low to medium heat settings.
Copper	<ul style="list-style-type: none"> ■ Heats very quickly and evenly.
Earthenware	<ul style="list-style-type: none"> ■ Follow manufacturer's instructions. ■ Use on low heat settings.
Porcelain enamel-on-steel or cast iron	<ul style="list-style-type: none"> ■ See stainless steel or cast iron.
Stainless steel	<ul style="list-style-type: none"> ■ Heats quickly, but unevenly. ■ A core or base of aluminum or copper on stainless steel provides even heating.

COOKTOP CARE

General Cleaning

IMPORTANT: Before cleaning, make sure all controls are off and the cooktop is cool. Always follow label instructions on cleaning products. Soap, water and a soft cloth or sponge are suggested first unless otherwise noted.

EXTERIOR PORCELAIN ENAMEL SURFACES

Food spills containing acids, such as vinegar and tomato, should be cleaned as soon as the entire appliance is cool. These spills may affect the finish.

- Glass cleaner, mild liquid cleaner or nonabrasive scrubbing pad: Gently clean around the model and serial number plate because scrubbing may remove numbers.

STAINLESS STEEL

Do not use soap-filled scouring pads, abrasive cleaners, Cooktop Polishing Creme, steel-wool pads, gritty washcloths or some paper towels. Damage may occur to the product finish.

Rub in direction of grain to avoid damaging.

- Stainless Steel Cleaner & Polish: See “Assistance or Service” section to order.
- Liquid detergent or all-purpose cleaner: Rinse with clean water and dry with soft, lint-free cloth.
- Vinegar for hard water spots.

PORCELAIN-COATED GRATES AND CAPS

Food spills containing acids, such as vinegar and tomato, should be cleaned as soon as the cooktop, grates and caps are cool. These spills may affect the finish.

To avoid chipping, do not bang grates and caps against each other or hard surfaces such as cast iron cookware.

Do not reassemble caps on burners while wet.

Do not clean in the Self-Cleaning cycle.

Do not clean in dishwasher.

- Nonabrasive pad and mildly abrasive cleanser: Clean as soon as cooktop, grates and caps are cool.

SURFACE BURNERS

Sealed Burner models

See “Surface Burners” section.

CONTROL KNOBS

Do not use steel wool, abrasive cleansers or oven cleaner.

Do not soak knobs.

When replacing knobs, make sure knobs are in the OFF position.

On some models, do not remove seals under knobs.

- Soap and water or dishwasher: Pull knobs straight away from control panel to remove.

CONTROL PANEL

Do not use abrasive cleaners, steel-wool pads, gritty washcloths or some paper towels. Damage may occur.

- Soap and water: Wash, rinse and dry with a soft cloth.
- Glass cleaner and soft cloth or sponge: Apply glass cleaner to soft cloth or sponge, not directly on panel.

SIMMER PLATE

Do not clean in dishwasher.

- Liquid detergent and water.

Wipe with damp cloth or sponge then rinse with clean water and wipe dry.

- Mild-abrasive cleanser: Rub in the direction of the grain lines with a damp cloth or sponge. Rinse thoroughly. Repeat if necessary.

TROUBLESHOOTING

Try the solutions suggested here first in order to avoid the cost of an unnecessary service call.

Nothing will operate

- **Has a household fuse been blown or has the circuit breaker been tripped?** Replace the fuse or reset the circuit.

Surface burners will not operate

- **Is this the first time the surface burners have been used?** Turn on any one of the surface burner knobs to release air from the gas lines.
- **Is the control knob set correctly?** Push in knob before turning to a setting.
- **Are the burner ports clogged?** On sealed burner models, see “Surface Burners” section.

Surface burner flames are uneven, yellow and/or noisy

- **Are the burner ports clogged?** On sealed burner models, see “Surface Burners” section.
- **On models with caps, are the burner caps positioned properly?** See “Surface Burners” section.
- **Is the burner damaged?** On models with caps, look for a warped cap. If cap will not spin freely on a flat surface, painted side down, the cap is warped. Switch cap with a different surface burner to check for further warping. Contact a trained repair specialist.
- **Is propane gas being used?** The appliance may have been converted improperly. Contact a trained repair specialist.

Surface burner makes popping noises

- **Is the burner wet?** Let it dry.

Burner sparks but does not light

- **Is there continuous sparking, but the burner does not light?** Discontinue use of the surface burner and contact a service technician.

Excessive heat around cookware on cooktop

- **Is the cookware the proper size?** Use cookware about the same size as the surface cooking area, element or surface burner. Cookware should not extend more than 1 in. (2.5 cm) outside the cooking area.

Cooktop cooking results not what expected

- **Is the proper cookware being used?** See “Cookware” section.
 - **Is the control knob set to the proper heat level?** See “Cooktop Controls” section.
 - **Is the appliance level?** Level the appliance. See the Installation Instructions.
-

ASSISTANCE OR SERVICE

Before calling for assistance or service, please check “Troubleshooting.” It may save you the cost of a service call. If you still need help, follow the instructions below.

When calling, please know the purchase date and the complete model and serial number of your appliance. This information will help us to better respond to your request.

If you need replacement parts

If you need to order replacement parts, we recommend that you only use factory specified parts. These factory specified parts will fit right and work right because they are made with the same precision used to build every new KITCHENAID® appliance.

To locate factory specified parts in your area, call our Customer Interaction Center telephone number or your nearest KitchenAid designated service center.

In the U.S.A.

Call the KitchenAid Customer Interaction Center toll free: **1-800-422-1230**.

Our consultants provide assistance with:

- Features and specifications on our full line of appliances.
- Installation information.
- Accessory and repair parts sales.
- Specialized customer assistance (Spanish speaking, hearing impaired, limited vision, etc.).
- Referrals to local dealers, repair parts distributors, and service companies. KitchenAid designated service technicians are trained to fulfill the product warranty and provide after-warranty service, anywhere in the United States.

To locate the KitchenAid designated service company in your area, you can also look in your telephone directory Yellow Pages.

For further assistance

If you need further assistance, you can write to KitchenAid with any questions or concerns at:

KitchenAid Brand Home Appliances
Customer Interaction Center
553 Benson Road
Benton Harbor, MI 49022-2692

Please include a daytime phone number in your correspondence.

Accessories U.S.A.

To order accessories, call the KitchenAid Customer Interaction Center toll free at **1-800-442-9991** and follow the menu prompts. Or visit our website at www.kitchenaid.com and click on “Shop-Online,” then “Accessories.”

In Canada

For product related questions, please call the KitchenAid Canada Customer Interaction Center toll free: **1-800-461-5681**
Monday to Friday 8:00 a.m. - 6:00 p.m. (EST).
Saturday 8:30 a.m. - 4:30 p.m. (EST).

Our consultants provide assistance with:

- Features and specifications on our full line of appliances.
- Referrals to local dealers.

For parts, accessories and service in Canada

Call **1-800-807-6777**. KitchenAid designated service technicians are trained to fulfill the product warranty and provide after-warranty service, anywhere in Canada.

For further assistance

If you need further assistance, you can write to KitchenAid Canada with any questions or concerns at:

Customer Interaction Center
KitchenAid Canada
1901 Minnesota Court
Mississauga, Ontario L5N 3A7

Please include a daytime phone number in your correspondence.

KITCHENAID® COOKTOP, BUILT-IN OVEN AND RANGE WARRANTY

ONE-YEAR FULL WARRANTY

For one year from the date of purchase, when this appliance is operated and maintained according to instructions attached to or furnished with the product, KitchenAid will pay for factory specified parts and repair labor costs to correct defects in materials or workmanship. Service must be provided by a KitchenAid designated service company.

SECOND THROUGH FIFTH YEAR LIMITED WARRANTY ON ELECTRIC ELEMENTS, CERAMIC GLASS COOKTOP, GAS BURNERS, AND SOLID STATE TOUCH CONTROL SYSTEM

On electric ranges and electric cooktops, in the second through fifth years from the date of purchase, when this appliance is operated and maintained according to instructions attached to or furnished with the product, KitchenAid will pay for factory specified parts for any electric element to correct defects in materials or workmanship.

On ceramic glass ranges and ceramic glass cooktops, in the second through fifth years from the date of purchase, when this appliance is operated and maintained according to instructions attached to or furnished with the product, KitchenAid will pay for factory specified parts for the ceramic glass cooktop. KitchenAid warrants that the ceramic glass cooktop will not discolor, the cooktop pattern will not wear off, the rubber seal between the ceramic glass cooktop and porcelain edge will not crack, the ceramic glass cooktop will not crack due to thermal shock and the surface unit elements will not burn out.

On gas ranges and gas cooktops, in the second through fifth years from the date of purchase, when this appliance is operated and maintained according to instructions attached to or furnished with the product, KitchenAid will pay for factory specified parts for any gas burner to correct defects in materials or workmanship.

On ranges and built-in ovens, in the second through fifth years from the date of purchase, when this appliance is operated and maintained according to instructions attached to or furnished with the product, KitchenAid will pay for factory specified parts for the porcelain oven cavity/inner door if the part rusts through due to defects in materials or workmanship. KitchenAid will pay for factory specified parts for solid state touch control system and Magnetron tube in combination ovens to correct defects in materials or workmanship.

SIXTH THROUGH TENTH YEAR LIMITED WARRANTY ON RANGES AND BUILT-IN OVENS PORCELAIN OVEN CAVITY/INNER DOOR

On ranges and built-in ovens only, in the sixth through tenth years from date of purchase, when this appliance is operated and maintained according to instructions attached to or furnished with the product, KitchenAid will pay for factory specified parts for the oven cavity/inner door if the part rusts through due to defects in materials or workmanship.

KitchenAid will not pay for:

1. Service calls to correct the installation of your appliance, to instruct you how to use your appliance, to replace house fuses or correct house wiring, or to replace owner-accessible light bulbs.
2. Repairs when your appliance is used in other than normal, single-family household use.
3. Pickup and delivery. Your appliance is designed to be repaired in the home.
4. Damage resulting from accident, alteration, misuse, abuse, fire, flood, improper installation, acts of God or use of products not approved by KitchenAid or KitchenAid Canada.
5. Repairs to parts or systems resulting from unauthorized modifications made to the appliance.
6. Replacement parts or repair labor costs for units operated outside the United States or Canada.
7. In Canada, travel or transportation expenses for customers who reside in remote areas.
8. Any labor costs during the limited warranty periods.

KITCHENAID AND KITCHENAID CANADA SHALL NOT BE LIABLE FOR INCIDENTAL OR CONSEQUENTIAL DAMAGES.

Some states or provinces do not allow the exclusion or limitation of incidental or consequential damages, so this exclusion or limitation may not apply to you. This warranty gives you specific legal rights, and you may also have other rights which vary from state to state or province to province.

Outside the 50 United States and Canada, this warranty does not apply. Contact your authorized KitchenAid dealer to determine if another warranty applies.

If you need service, first see the "Troubleshooting" section of this book. After checking "Troubleshooting," additional help can be found by checking the "Assistance or Service" section or by calling the KitchenAid Customer Interaction Center, **1-800-422-1230** (toll-free), from anywhere in the U.S.A. In Canada, contact your KitchenAid designated service company or call **1-800-807-6777**. 4/01

Keep this book and your sales slip together for future reference. You must provide proof of purchase or installation date for in-warranty service.

Write down the following information about your appliance to better help you obtain assistance or service if you ever need it. You will need to know your complete model number and serial number. You can find this information on the model and serial number label/plate, located on your appliance as shown in the "Parts and Features" section.

Dealer name _____

Address _____

Phone number _____

Model number _____

Serial number _____

Purchase date _____

SÉCURITÉ DE LA TABLE DE CUISSON

Votre sécurité et celle des autres est très importante.

Nous donnons de nombreux messages de sécurité importants dans ce manuel et sur votre appareil ménager. Assurez-vous de toujours lire tous les messages de sécurité et de vous y conformer.



Voici le symbole d'alerte de sécurité.

Ce symbole d'alerte de sécurité vous signale les dangers potentiels de décès et de blessures graves à vous et à d'autres.

Tous les messages de sécurité suivront le symbole d'alerte de sécurité et le mot "DANGER" ou "AVERTISSEMENT". Ces mots signifient :

⚠ DANGER

Risque possible de décès ou de blessure grave si vous ne suivez pas immédiatement les instructions.

⚠ AVERTISSEMENT

Risque possible de décès ou de blessure grave si vous ne suivez pas les instructions.

Tous les messages de sécurité vous diront quel est le danger potentiel et vous disent comment réduire le risque de blessure et ce qui peut se produire en cas de non-respect des instructions.

AVERTISSEMENT : Pour votre sécurité, les renseignements dans ce manuel doivent être observés pour réduire au minimum les risques d'incendie ou d'explosion ou pour éviter des dommages au produit, des blessures ou un décès.

- Ne pas entreposer ni utiliser de l'essence ou d'autres vapeurs ou liquides inflammables à proximité de cet appareil ou de tout autre appareil électroménager.
- QUE FAIRE DANS LE CAS D'UNE ODEUR DE GAZ :
 - Ne pas tenter d'allumer un appareil.
 - Ne pas toucher à un commutateur électrique.
 - Ne pas utiliser le téléphone se trouvant sur les lieux.
 - Appeler immédiatement le fournisseur de gaz d'un téléphone voisin. Suivre ses instructions.
 - À défaut de joindre votre fournisseur de gaz, appeler les pompiers.
- L'installation et l'entretien doivent être effectués par un installateur qualifié, une agence de service ou le fournisseur de gaz.

IMPORTANTES INSTRUCTIONS DE SÉCURITÉ

AVERTISSEMENT : Pour réduire le risque d'incendie, de choc électrique, de blessures ou de dommages lors de l'utilisation de la table de cuisson, il convient d'observer certaines précautions élémentaires dont les suivantes :

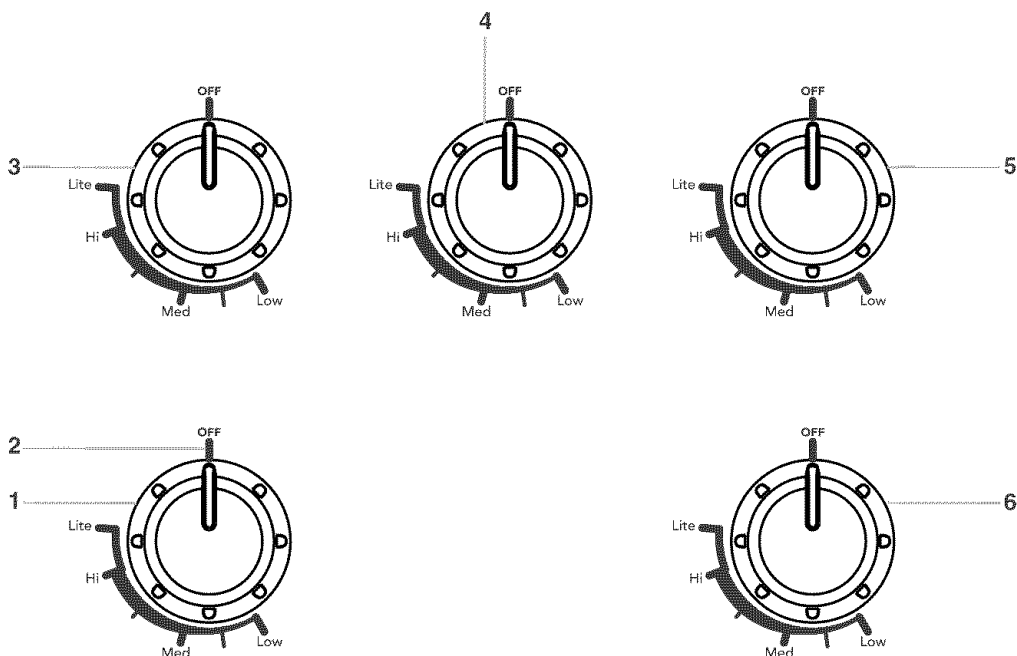
- **MISE EN GARDE** – Ne pas remiser dans des armoires au-dessus de la table de cuisson, des objets que des enfants pourraient vouloir atteindre. Les enfants pourraient se blesser gravement en grim pant sur la table de cuisson.
- Installation appropriée – La table de cuisson lorsqu'elle est correctement installée doit être reliée à la terre conformément aux codes locaux ou, en l'absence de codes locaux, selon le *Code national électrique, ANSI/NFPA70* ou le *Code canadien des installations électriques, Partie 1*. S'assurer que la table de cuisson est correctement installée et reliée à la terre par un technicien qualifié.
- La table de cuisson est munie d'une fiche de liaison à la terre à trois broches pour votre protection contre les risques de choc électrique et doit être branchée directement dans une prise de courant bien reliée à la terre. Ne pas couper ni enlever la broche de liaison à la terre de cette fiche.
- Débrancher l'alimentation électrique avant d'exécuter des réparations à la table de cuisson.
- Ne pas utiliser la table de cuisson comme source de chauffage ou de réchauffage d'une pièce.
- Des blessures peuvent survenir du mauvais usage de la table de cuisson tel que se tenir debout sur la surface, se pencher ou s'asseoir sur le dessus de la surface.
- Entretien – Garder l'espace autour de la table de cuisson dégagé et exempt de matériaux combustibles, d'essence et d'autres vapeurs et liquides inflammables.
- Remisage sur la table de cuisson – Des produits inflammables ne doivent pas être remisés sur ou près des éléments de surface.
- La taille de la flamme des brûleurs de surface devrait être ajustée de sorte qu'elle ne dépasse pas le bord d'un ustensile de cuisson.

CONSERVEZ CES INSTRUCTIONS

PIÈCES ET CARACTÉRISTIQUES

Ce manuel couvre plusieurs modèles différents et tous les modèles ne sont pas illustrés. La table de cuisson que vous avez achetée peut comporter quelques-uns ou tous les articles énumérés. L'emplacement et l'apparence des caractéristiques illustrées peuvent être différents de ceux de votre modèle.

Modèle KGCV566 (36 po [91,4 cm] illustré)



1. Bouton de commande de brûleur avant gauche

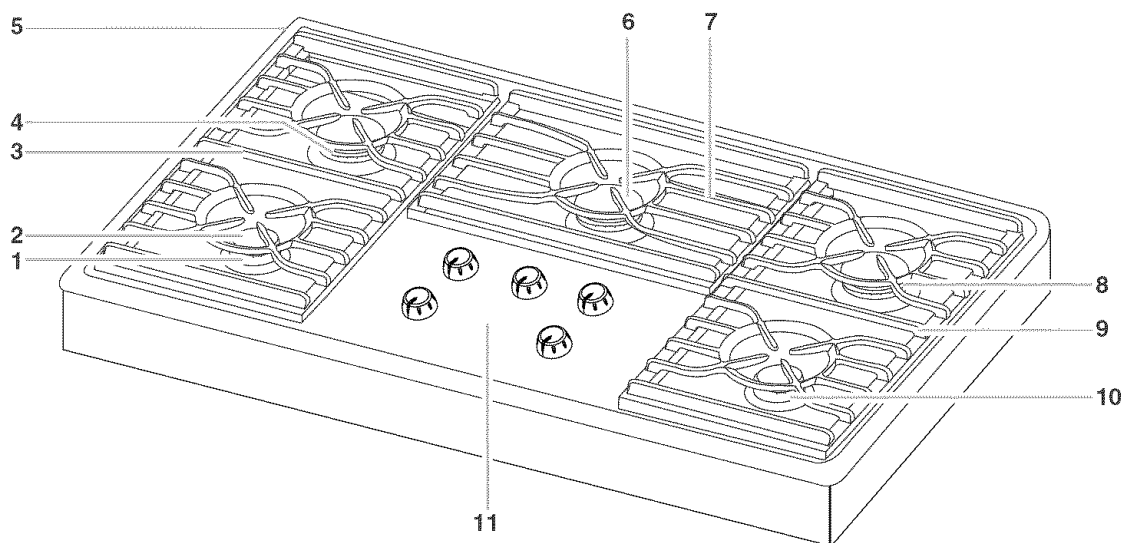
2. Position Off (arrêt) du bouton de commande

3. Bouton de commande de brûleur arrière gauche

4. Bouton de commande de brûleur arrière central (uniquement sur les modèles de 36 po)

5. Bouton de commande de brûleur arrière droit

6. Bouton de commande de brûleur avant droit



1. Brûleur de 14K BTU

2. Chapeau de brûleur de surface

3. Grille de brûleur de surface gauche

4. Brûleur de 6K BTU

5. Plaque signalétique des numéros de modèle et de série (sous la table de cuisson)

6. Brûleur de 9K BTU

7. Grille centrale

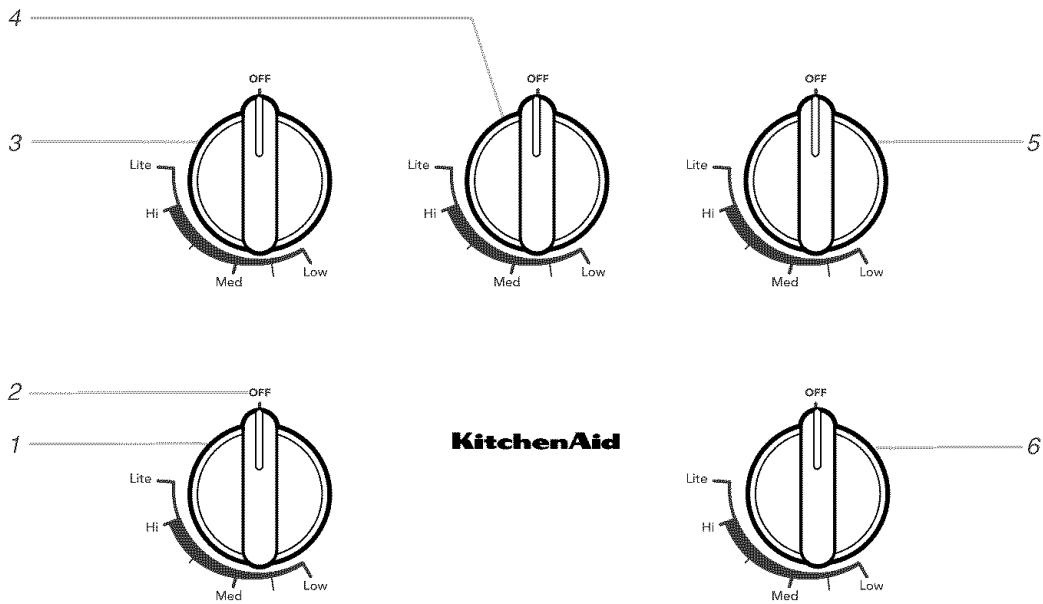
8. Brûleur de 12,5K BTU

9. Grille du brûleur de surface droit

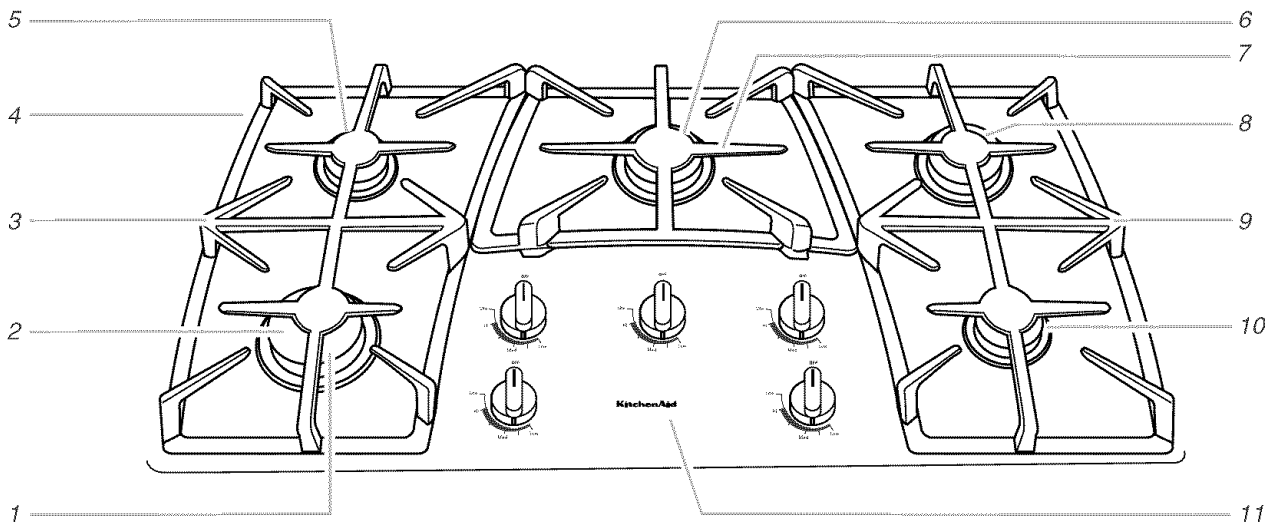
10. Brûleur de 6K BTU

11. Tableau de commande

Modèle KGCC566 (36 po [91,4 cm] illustré)
Modèle KGCC505 (30 po [76,2 cm] non illustré)

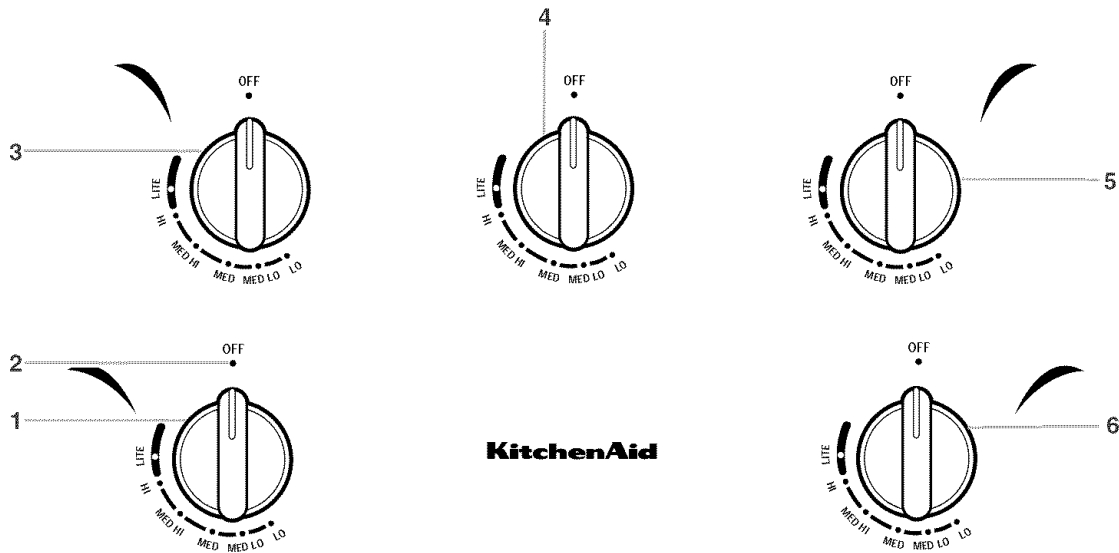


- 1. Bouton de commande de brûleur avant gauche
- 2. Position Off (arrêt) du bouton de commande
- 3. Bouton de commande de brûleur arrière gauche
- 4. Bouton de commande de brûleur arrière central (uniquement sur les modèles de 36 po)
- 5. Bouton de commande de brûleur arrière droit
- 6. Bouton de commande de brûleur avant droit



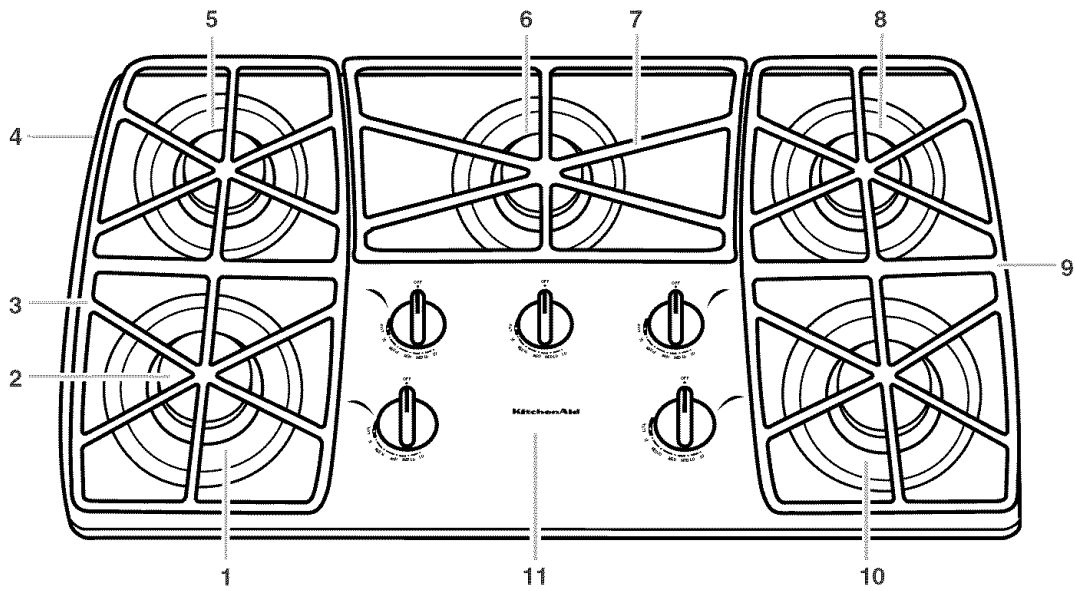
- 1. Brûleur de 14K BTU
- 2. Chapeau de brûleur de surface
- 3. Grille de brûleur de surface gauche
- 4. Plaque signalétique des numéros de modèle et de série (sous la table de cuisson)
- 5. Brûleur de 6K BTU (brûleur de 9K BTU sur les modèles de 30 po)
- 6. Brûleur de 9,1K BTU (uniquement sur les modèles de 36 po)
- 7. Grille centrale
- 8. Brûleur de 12,5K BTU
- 9. Grille du brûleur de surface droit
- 10. Brûleur de 6K BTU
- 11. Tableau de commande

Modèle KGCS166 (36 po [91,4 cm] illustré)
Modèle KGCS105 (30 po [76,2 cm] non illustré)



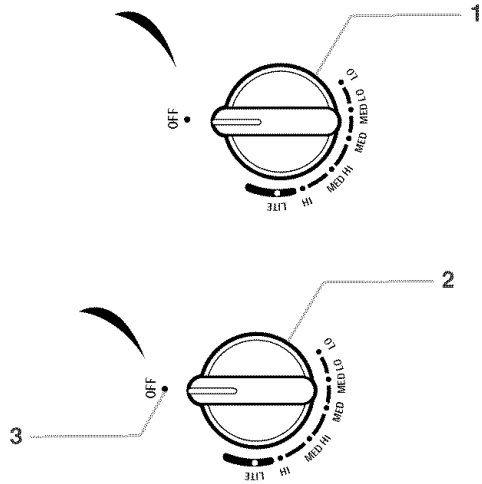
KitchenAid

- 1. Bouton de commande de brûleur avant gauche
- 2. Position Off (arrêt) du bouton de commande
- 3. Bouton de commande de brûleur arrière gauche
- 4. Bouton de commande de brûleur arrière central
- 5. Bouton de commande de brûleur avant droit
- 6. Bouton de commande de brûleur arrière droit

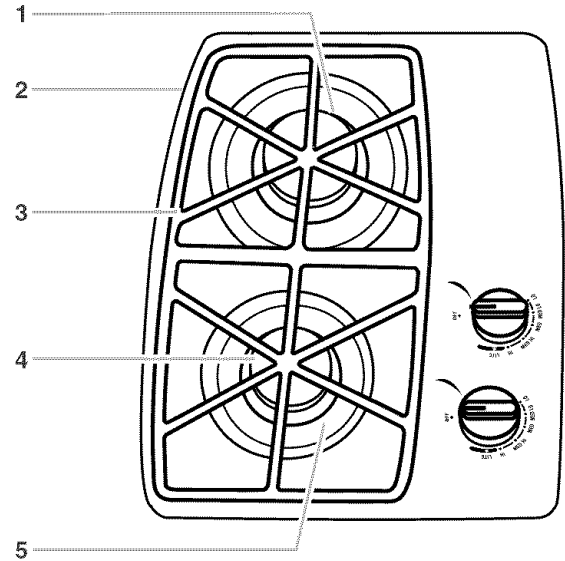


- 1. Brûleur de 14K BTU
- 2. Chapeau de brûleur de surface
- 3. Grille de brûleur de surface gauche
- 4. Plaque signalétique des numéros de modèle et de série (sous la table de cuisson)
- 5. Brûleur de 6K BTU (brûleur de 9K BTU sur les modèles de 30 po)
- 6. Brûleur de 9,1K BTU (uniquement sur les modèles de 36 po)
- 7. Grille centrale
- 8. Brûleur de 12,5K BTU
- 9. Grille du brûleur de surface droit
- 10. Brûleur de 6K BTU
- 11. Tableau de commande

Modèle KCCR055 (15 po [38,1 cm] version Propane illustre)
Modèle KGCT055 (15 po [38,1 cm] non illustré)

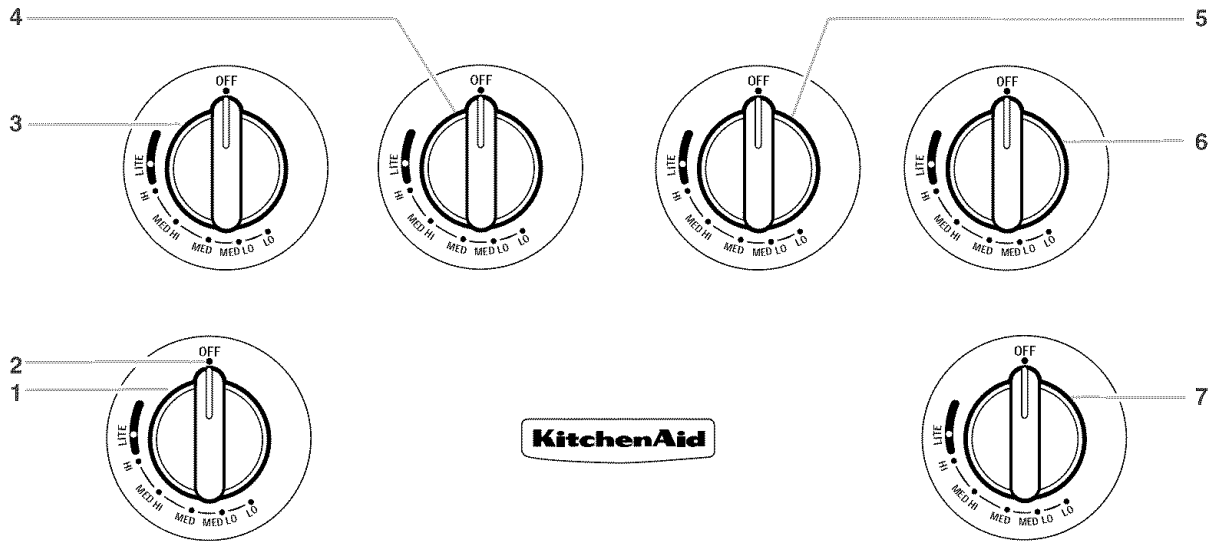


1. Bouton de commande de brûleur arrière
2. Bouton de commande de brûleur avant
3. Position Off (arrêt) du bouton de commande

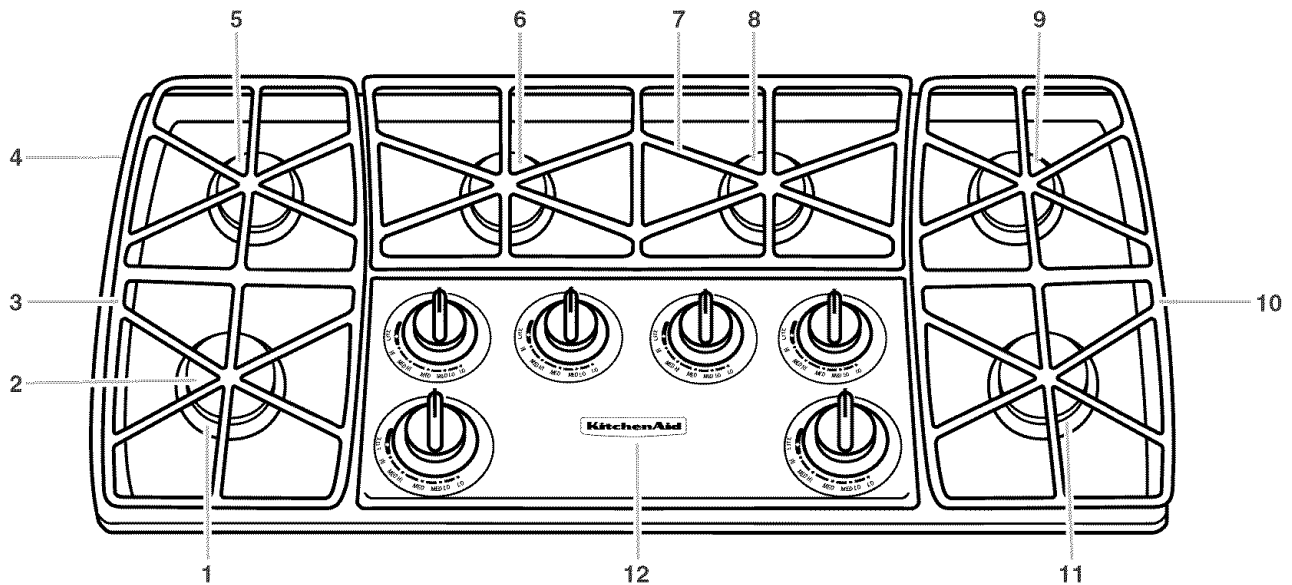


1. Brûleur de 9K BTU
(Brûleur de 12,5K BTU sur les modèles au gaz naturel)
2. Plaque signalétique des numéros de modèle et de série (sous la table de cuisson)
3. Grille de brûleur de surface
4. Chapeau de brûleur de surface
5. Brûleur de 5K BTU
(sur les modèles au propane comme illustré)
(Brûleur de 6K BTU sur les modèles au gaz naturel)

Modèle KGCS127 (43 po [109 cm] illustré)



- 1. Bouton de commande de brûleur avant gauche
- 2. Position Off (arrêt) du bouton de commande
- 3. Bouton de commande de brûleur arrière gauche
- 4. Bouton de commande de brûleur arrière central gauche
- 5. Bouton de commande de brûleur arrière central droit
- 6. Bouton de commande de brûleur arrière droit
- 7. Bouton de commande de brûleur avant droit



- 1. Brûleur de 14K BTU
- 2. Chapeau de brûleur de surface
- 3. Grille de brûleur de surface gauche
- 4. Plaque signalétique des numéros de modèle et de série (sous la table de cuisson)
- 5. Brûleur de 9K BTU
- 6. Brûleur de 6K BTU
- 7. Grille centrale
- 8. Brûleur de 9K BTU
- 9. Brûleur de 12,5K BTU
- 10. Grille de brûleur de surface droit
- 11. Brûleur de 6K BTU
- 12. Tableau de commande

UTILISATION DE LA TABLE DE CUISSON

Commandes de la table de cuisson

⚠ AVERTISSEMENT



Risque d'incendie

La flamme d'un brûleur ne devrait pas dépasser le bord du récipient de cuisson.

Fermer tous les réglages lorsque la cuisson est terminée.

Le non-respect de ces instructions peut causer un décès ou un incendie.

IMPORTANT : Votre table de cuisson est réglée à l'usine pour l'utilisation au gaz naturel. Si on désire utiliser du gaz propane, un ensemble de conversion au gaz propane est inclus avec la nouvelle cuisinière. Voir les instructions incluses avec l'ensemble de conversion au gaz propane pour des détails au sujet de cette conversion.

Les allumeurs électriques allument automatiquement les brûleurs de surface lorsque les boutons de commande sont tournés sur LITE.

Les gros brûleurs (14K BTU [British Thermal Units] et 12,5K BTU) procurent le plus haut réglage de chaleur et sont parfaits pour la cuisson de grandes quantités d'aliments ou de liquides dans de grandes marmites et casseroles. Les petits brûleurs (9K BTU et 6K BTU) permettent un contrôle plus précis du mijotage au réglage le plus bas et sont parfaits pour la cuisson de plus petites quantités d'aliments, en utilisant des marmites et casseroles plus petites.

Avant de régler un bouton de commande, placer l'ustensile de cuisson rempli sur la grille. Ne pas faire fonctionner un brûleur avec un ustensile vide ou sans un ustensile sur la grille.

REMARQUE : Vérifier visuellement que le brûleur est allumé. Si le brûleur ne s'allume pas, attendre qu'il y ait un déclic. Si le déclic ne se fait pas entendre, ÉTEINDRE LE BRÛLEUR. Vérifier si le disjoncteur ne s'est pas déclenché ou si un fusible n'est pas grillé.

S'assurer que le bouton de commande est enfoncé complètement sur la tige de la soupape. Si l'allumeur ne fonctionne toujours pas, faire venir un technicien de réparation qualifié.

La liaison à la terre et la polarité appropriées sont nécessaires pour le bon fonctionnement du système d'allumage électrique. Si la prise de courant murale ne fournit pas la polarité correcte, l'allumeur sera relié à la terre et pourra occasionnellement émettre un déclic, même après que le brûleur est allumé. Faire vérifier la prise murale par un technicien de réparation qualifié pour voir si la polarité du câblage est correcte.

Réglage :

1. Pousser et tourner le bouton dans le sens inverse des aiguilles d'une montre sur LITE.
Tous les brûleurs de surface émettront un déclic. Seul le brûleur dont le bouton est tourné à LITE produira une flamme.
2. Tourner le bouton n'importe où entre HI et LO. Utiliser le tableau suivant comme guide lors du réglage des niveaux de chaleur.

RÉGLAGE	UTILISATION RECOMMANDÉE
Lite	■ Pour allumer le brûleur.
Hi	■ Pour commencer la cuisson des aliments. ■ Pour porter un liquide à ébullition.
Med à Hi	■ Pour maintenir une ébullition rapide. ■ Pour brunir ou saisir rapidement les aliments.
Med	■ Pour frire ou faire sauter les aliments. ■ Pour maintenir une ébullition lente.
Med à Lo	■ Pour cuire les soupes et les sauces. ■ Pour mijoter ou étuver les aliments.
Lo	■ Pour garder les aliments au chaud. ■ Pour faire fondre le chocolat ou le beurre. ■ Pour faire mijoter lentement.

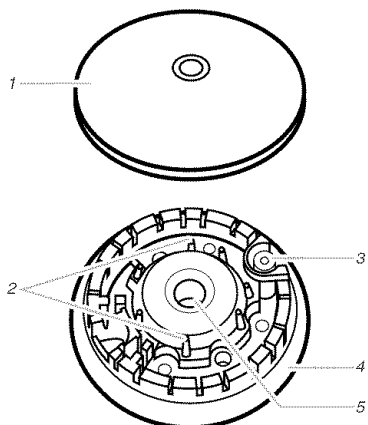
N'OUBLIEZ PAS : Quand l'appareil est utilisé, toute la surface de la table de cuisson peut devenir chaude.

Brûleurs de surface

IMPORTANT : Ne pas entraver l'évacuation de l'air de combustion et de ventilation autour des bords des grilles de brûleur.

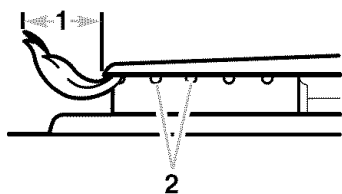
Avant le nettoyage, s'assurer que toutes les commandes sont éteintes et que le four et la table de cuisson sont froids. Ne pas utiliser de nettoyants à four, d'eau de Javel ou de décapants à rouille.

Chapeau de brûleur : Toujours garder le chapeau de brûleur en place lorsqu'un brûleur de surface est utilisé. Un chapeau de brûleur propre empêche le mauvais allumage et des flammes inégales. Toujours nettoyer le chapeau du brûleur après un renversement de produits et enlever et nettoyer régulièrement les chapeaux tel qu'indiqué à la section "Nettoyage général".



1. Chapeau de brûleur
2. Base du brûleur
3. Tiges d'alignement
4. Allumeur
5. Ouverture du tube d'arrivée de gaz

Ouverture du tube d'arrivée de gaz : Pour que la flamme s'allume convenablement, il faut que le gaz puisse passer librement à travers l'orifice. Garder cette zone propre et ne pas laisser les produits renversés, les aliments, les agents de nettoyage ou tout autre produit pénétrer dans l'ouverture du tube d'arrivée de gaz. La protéger contre les renversements en utilisant toujours un chapeau de brûleur.

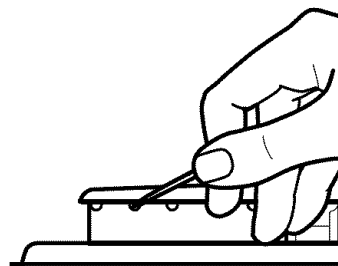


1. 1-1½ po (25-38 mm)
2. Orifices de brûleur

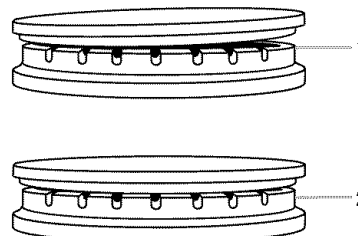
Orifices de brûleur : Examiner occasionnellement les flammes des brûleurs pour en vérifier la taille et la forme tel qu'indiqué ci-dessus. Une bonne flamme est bleue plutôt que jaune. Garder cette zone propre et ne pas laisser les produits renversés, les aliments, les agents de nettoyage ou tout autre produit pénétrer dans les orifices de brûleur.

Nettoyage :

1. Enlever le chapeau de brûleur de la base du brûleur et nettoyer tel qu'indiqué à la section "Nettoyage général".
2. Nettoyer l'ouverture de tube d'arrivée de gaz avec un chiffon humide.
3. Nettoyer les orifices de brûleur obstrués avec une épingle droite tel qu'indiqué. Ne pas agrandir ni déformer l'orifice. Ne pas utiliser un cure-dents en bois. Si le brûleur a besoin d'être ajusté, contacter un technicien de réparation qualifié.



4. Réinstaller le chapeau du brûleur et s'assurer que les tiges d'alignement sur le chapeau sont bien alignées avec la base du brûleur.



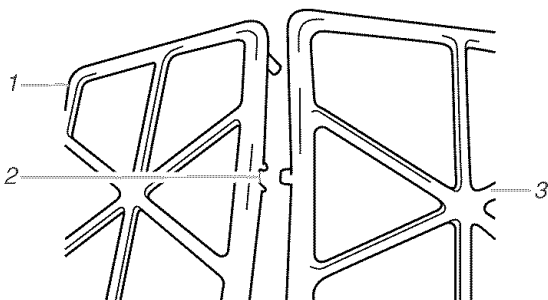
1. Incorrect
2. Correct

5. Allumer le brûleur. Si le brûleur ne s'allume pas, vérifier l'alignement du chapeau. Si le brûleur ne s'allume toujours pas, ne pas faire vous-même l'entretien d'un brûleur scellé. Contacter un technicien de réparation qualifié.

Grilles de surface avec ergot de positionnement (sur certains modèles)

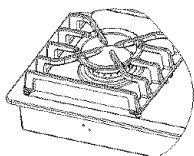
Grilles de surface

Les grilles se trouvant des côtés gauche et droit de la table de cuisson comportent des rainures. Celles-ci doivent toujours être orientées vers l'intérieur, c'est-à-dire vers le panneau de boutons de commande pour maintenir les grilles en place. Sur certains modèles, la grille médiane doit être mise en position en premier, suivie des grilles gauche et droite.



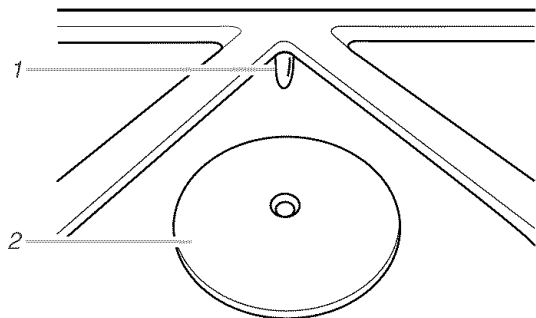
1. Grille gauche
2. Rainure
3. Grille médiane

Sur le modèle KGCV566, les grilles sont localisées par le cadre externe.



Ergot de positionnement

Sur tous les modèles sauf le modèle KGCV566, l'ergot de positionnement sur la grille doit être introduit dans le trou du chapeau de brûleur pour maintenir la grille en place.



1. Ergot de positionnement
2. Chapeau de brûleur

Vitrocéramique

Essuyer la table de cuisson après chaque utilisation pour la garder exempte de taches. Voir la section "Nettoyage général" pour plus de renseignements.

- Ne pas ranger de bocaux ou de boîtes de conserve au-dessus de la table de cuisson. La chute d'un objet lourd ou dur sur la table de cuisson risque de la fissurer.
- Ne pas laisser des objets qui pourraient fondre, comme du plastique ou du papier aluminium, toucher une partie quelconque de la table de cuisson.
- S'assurer que les fonds des casseroles et poêles sont propres et secs avant de les utiliser. Les résidus et l'eau peuvent laisser des dépôts quand ils sont chauffés.

Préparation de conserves à la maison

Lors de la préparation de conserves pendant de longues périodes, alterner l'utilisation des surfaces de cuisson, des éléments ou des brûleurs de surface entre les quantités préparées. Cette alternance permet aux dernières surfaces utilisées de refroidir.

- Centrer l'autoclave sur la grille ou la plus grande surface de cuisson ou sur le plus grand élément. L'autoclave ne doit pas dépasser de plus de 1 po (2,5 cm) de la surface de cuisson.
- Ne pas placer l'autoclave sur deux surfaces de cuisson, deux éléments ou deux brûleurs de surface à la fois.
- Pour plus de renseignements, aux É.-U., contacter le bureau local du Département de l'Agriculture. Au Canada, contacter Agriculture Canada. Les compagnies qui fabriquent des produits pour la préparation de conserves peuvent aussi offrir de l'aide.

Ustensiles de cuisson

IMPORTANT : Ne jamais laisser un ustensile de cuisson vide sur une surface de cuisson, un élément ou un brûleur de surface chauds.

Pour être plus efficaces, les ustensiles de cuisson doivent avoir un fond plat, des parois droites, un couvercle qui ferme bien et le matériau doit être d'épaisseur moyenne à forte.

Les finitions rugueuses peuvent égratigner la table de cuisson. L'aluminium et le cuivre peuvent être utilisés comme fond ou base d'un ustensile de cuisson. Toutefois, lorsqu'ils sont utilisés comme base, ils peuvent laisser des marques permanentes sur la surface de cuisson ou les grilles.

Le matériau d'un ustensile a une influence sur la rapidité et l'uniformité de la transmission de la chaleur, lesquelles contribuent aux résultats de cuisson. Une finition antiadhésive a les mêmes caractéristiques que son matériau de base. Par exemple, un ustensile de cuisson en aluminium avec une finition antiadhésive aura les propriétés de l'aluminium.

Utiliser le tableau suivant comme guide pour les caractéristiques du matériau d'ustensile de cuisson.

USTENSILE	CARACTÉRISTIQUES
Aluminium	<ul style="list-style-type: none">■ Chauffe rapidement et uniformément.■ Convient à tous les genres de cuisson.■ L'épaisseur moyenne ou forte convient le mieux pour la plupart des tâches de cuisson.
Fonte	<ul style="list-style-type: none">■ Chauffe lentement et uniformément.■ Convient pour le brunissage et la friture.■ Maintient la chaleur pour une cuisson lente.
Céramique ou vitrocéramique	<ul style="list-style-type: none">■ Suivre les instructions du fabricant.■ Chauffe lentement, mais inégalement.■ Les meilleurs résultats sont obtenus sur les réglages de chaleur basse à moyenne.
Cuivre	<ul style="list-style-type: none">■ Chauffe très rapidement et uniformément.
Terre cuite	<ul style="list-style-type: none">■ Suivre les instructions du fabricant.■ Utiliser des réglages de température basse.
Acier émaillé en porcelaine ou fonte émaillée	<ul style="list-style-type: none">■ Voir acier inoxydable ou fonte.
Acier inoxydable	<ul style="list-style-type: none">■ Chauffe rapidement, mais inégalement.■ Un fond ou une base d'aluminium ou de cuivre sur l'acier inoxydable procure un chauffage égal.

ENTRETIEN DE LA TABLE DE CUISSON

Nettoyage général

IMPORTANT : Avant le nettoyage, s'assurer que toutes les commandes sont désactivées et que la table de cuisson est froide. Toujours suivre les instructions sur les étiquettes des produits de nettoyage. Du savon, de l'eau et un chiffon doux ou une éponge sont recommandés à moins d'indication contraire.

SURFACES EXTERNES EN ÉMAIL VITRIFIÉ

Les renversements d'aliments contenant des acides, tels que vinaigre et tomates, doivent être nettoyés une fois que toute la surface est froide. Ces renversements peuvent affecter la finition.

- Nettoyant à vitre, nettoyant liquide doux ou tampon de récurage non abrasif : Nettoyer doucement autour de la plaque signalétique des numéros de modèle et de série car le frottage pourrait en effacer les chiffres.

ACIER INOXYDABLE

Ne pas utiliser de tampons de récurage savonneux, nettoyants abrasifs, crèmes à polir pour table de cuisson, tampons en laine d'acier, chiffons de lavage rudes ou certains essuie-tout. Des dommages peuvent survenir.

Frotter dans la direction du grain pour éviter les dommages.

- Nettoyant et poli pour acier inoxydable : Voir la section "Assistance ou service" pour passer une commande.
- Détergent liquide ou nettoyant tout-usage : Rincer à l'eau propre et sécher avec un chiffon doux sans charpie.
- Vinaigre pour les taches d'eau dure.

GRILLES ET CHAPEAUX ÉMAILLÉS

Les renversements d'aliments contenant des acides, tels que vinaigre et tomates, doivent être nettoyés dès que la table de cuisson, les grilles et les chapeaux sont froids. Ces renversements peuvent affecter la finition.

Pour éviter l'écaillage, ne pas entrechoquer les grilles et les chapeaux ni les frapper contre des surfaces dures telles que les ustensiles en fonte.

Ne pas réinstaller les chapeaux sur les brûleurs quand ils sont mouillés.

Ne pas les nettoyer au moyen du programme d'autonettoyage.

Ne pas les nettoyer dans le lave-vaisselle.

- Tampon non abrasif et produit de nettoyage légèrement abrasif : Nettoyer dès que la table de cuisson, les grilles et les chapeaux sont refroidis.

BRÛLEURS DE SURFACE

Modèles à brûleurs scellés

Voir la section "Brûleurs de surface".

BOUTONS DE COMMANDE

Ne pas utiliser de la laine d'acier, des produits de nettoyage abrasifs ou un nettoyant à four.

Ne pas immerger les boutons de commande.

Lors de la réinstallation des boutons, s'assurer que chaque bouton est sur la position OFF (arrêt).

Sur certains modèles, ne pas enlever les joints sous les boutons.

- Savon et eau ou lave-vaisselle : Tirer les boutons directement hors du tableau de commande pour les enlever.

TABLEAU DE COMMANDE

Ne pas utiliser des nettoyants abrasifs, tampons en laine d'acier, chiffons de lavage rudes ou certains essuie-tout. Des dommages peuvent survenir.

- Savon et eau : Laver, rincer et sécher avec un chiffon doux.
- Nettoyant à vitre et chiffon doux ou éponge : Appliquer le nettoyant à vitre sur un chiffon doux ou une éponge, et non pas directement sur le tableau.

PLAQUE DE MIJOTAGE

Ne pas les nettoyer dans le lave-vaisselle.

- Détergent liquide et eau.

Essuyer avec un chiffon ou une éponge humide, puis rincer à l'eau propre et sécher avec un chiffon sans charpie.

- Produit nettoyant légèrement abrasif : Frotter dans le sens du grain avec un chiffon ou une éponge humide. Rincer à fond. Répéter au besoin.

DÉPANNAGE

Essayer les solutions suggérées ici d'abord afin d'éviter le coût d'une visite de service non nécessaire.

Rien ne fonctionne

- **Un fusible est-il grillé ou le disjoncteur s'est-il déclenché?** Remplacer le fusible ou remettre le disjoncteur en fonction.

Les brûleurs de surface ne fonctionnent pas

- **Est-ce la première fois que les brûleurs de surface sont utilisés?** Allumer n'importe quel brûleur de surface pour libérer l'air des canalisations de gaz.
- **Le bouton de commande est-il réglé correctement?** Enfoncer le bouton avant de le tourner sur un réglage.
- **Les orifices des brûleurs sont-ils obstrués?** Sur les modèles à brûleurs, voir la section "Brûleurs de surface scellés".

Les flammes des brûleurs de surface ne sont pas uniformes, sont de teinte jaune et/ou bruyantes

- **Les orifices des brûleurs sont-ils obstrués?** Sur les modèles à brûleurs, voir la section "Brûleurs de surface scellés".
- **Sur les modèles à chapeau, les chapeaux des brûleurs sont-ils bien installés?** Voir la section "Brûleurs de surface".
- **Le brûleur est-il endommagé?** Sur les modèles à chapeau, vérifier si le chapeau est déformé. Si le chapeau ne tourne pas librement sur une surface plate, côté peint vers le bas, le chapeau est déformé. Permuter le chapeau avec un brûleur de surface différent pour vérifier s'il y a une autre déformation. Contacter un technicien de réparation qualifié.
- **Utilise-t-on du gaz propane?** L'appareil n'a peut-être pas été converti correctement. Contacter un technicien de réparation qualifié.

Le brûleur de surface fait de petits bruits

- **Le brûleur est-il mouillé?** Le laisser sécher.

Le brûleur émet des étincelles, mais ne s'allume pas.

- **Y a-t-il une production continue d'étincelles sans que le brûleur ne s'allume?** Cesser l'utilisation du brûleur de surface et contacter un technicien de service.

Chaleur excessive autour des ustensiles de cuisson sur la table de cuisson

- **L'ustensile de cuisson est-il de dimension appropriée?** Utiliser un ustensile de cuisson à peu près de la même dimension que la surface de cuisson, l'élément ou le brûleur de surface. L'ustensile de cuisson ne doit pas dépasser de plus de 1 po (2,5 cm) hors de la surface de cuisson.

Les résultats de cuisson sur la table de cuisson ne sont pas les résultats prévus

- **Utilise-t-on un ustensile de cuisson approprié?** Voir la section "Ustensiles de cuisson".
- **Le bouton de commande est-il réglé au niveau approprié de chaleur?** Voir la section "Commandes de la table de cuisson".
- **L'appareil est-il d'aplomb?** Nivelier l'appareil. Voir les instructions d'installation.

ASSISTANCE OU SERVICE

Avant de faire un appel pour assistance ou service, consulter la section "Dépannage". Ce guide peut vous faire économiser le coût d'une visite de service. Si vous avez encore besoin d'aide, suivre les instructions ci-dessous.

Lors d'un appel, veuillez connaître la date d'achat, le numéro de modèle et le numéro de série au complet de l'appareil. Ces renseignements nous aideront à mieux répondre à votre demande.

Si vous avez besoin de pièces de rechange

Si vous avez besoin de commander des pièces de rechange, nous vous recommandons d'employer uniquement des pièces d'origine. Les pièces d'origine conviendront et fonctionneront bien parce qu'elles sont fabriquées avec la même précision que celles utilisées dans la fabrication de chaque nouvel appareil KITCHENAID®.

Pour obtenir des pièces d'origine dans votre région, composez le numéro de téléphone de notre Centre d'interaction avec la clientèle ou avec le centre de service désigné de KitchenAid le plus proche.

Pour des questions relatives aux produits, veuillez appeler sans frais le Centre d'interaction avec la clientèle de KitchenAid Canada au : **1-800-461-5681**

Lundi à vendredi 8 h - 18 h HNE.

Samedi 8 h 30 - 16 h 30 HNE.

Nos consultants vous renseigneront sur les sujets suivants :

- Caractéristiques et spécifications sur toute notre gamme d'appareils électroménagers.
- Références aux marchands locaux.

Pour pièces, accessoires et service

Composer le **1-800-807-6777**. Les techniciens de service désignés par KitchenAid Canada sont formés pour remplir la garantie des produits et fournir un service après la garantie, partout au Canada.

Pour plus d'assistance

Si vous avez besoin de plus d'assistance, vous pouvez soumettre par écrit toute question ou préoccupation à KitchenAid Canada à l'adresse suivante :

Centre d'interaction avec la clientèle
KitchenAid Canada
1901 Minnesota Court
Mississauga, Ontario L5N 3A7

Veuillez inclure dans votre correspondance un numéro de téléphone où on peut vous joindre dans la journée.

GARANTIE DE TABLE DE CUISSON, FOUR ENCASTRÉ ET CUISINIÈRE KITCHENAID®

GARANTIE COMPLÈTE DE UN AN

Pendant un an à partir de la date d'achat, lorsque cet appareil ménager est utilisé et entretenu conformément aux instructions fournies avec le produit, KitchenAid paiera pour les pièces spécifiées par le fabricant et la main-d'oeuvre pour la correction des vices de matériaux ou de fabrication. Les réparations doivent être effectuées par un établissement de service désigné par KitchenAid.

GARANTIE LIMITÉE DE LA DEUXIÈME À LA CINQUIÈME ANNÉE INCLUSIVEMENT SUR LES ÉLÉMENTS ÉLECTRIQUES, TABLE DE CUISSON EN VITROCÉRAMIQUE, BRÛLEURS À GAZ ET SYSTÈME DE COMMANDES TRANSISTORISÉES

Sur les cuisinières et tables de cuisson électriques, de la deuxième à la cinquième année inclusivement à partir de la date d'achat, lorsque cet appareil ménager est utilisé et entretenu conformément aux instructions fournies avec le produit, KitchenAid paiera pour les pièces spécifiées par le fabricant pour tout élément électrique pour la correction des vices de matériaux ou de fabrication.

Sur les cuisinières et tables de cuisson en vitrocéramique, de la deuxième à la cinquième année inclusivement à partir de la date d'achat lorsque cet appareil ménager est utilisé et entretenu conformément aux instructions fournies avec le produit, KitchenAid paiera pour les pièces spécifiées par le fabricant pour la table de cuisson en vitrocéramique. KitchenAid garantit que la table de cuisson en vitrocéramique ne subira pas de décoloration, que le motif sur la table de cuisson ne s'effacera pas par usure, que le joint en caoutchouc entre la table de cuisson en vitrocéramique et le bord en porcelaine ne se fendra pas, que la surface de cuisson en vitrocéramique ne se fendra pas à cause d'un choc thermique et que les éléments de surface ne brûleront pas.

Sur les cuisinières et tables de cuisson à gaz, de la deuxième à la cinquième année inclusivement à partir de la date d'achat, lorsque cet appareil ménager est utilisé et entretenu conformément aux instructions fournies avec le produit, KitchenAid paiera pour les pièces spécifiées par le fabricant pour tout brûleur à gaz pour la correction des vices de matériaux ou de fabrication.

Sur les cuisinières et fours encastrés, de la deuxième à la cinquième année inclusivement à partir de la date d'achat, lorsque cet appareil ménager est utilisé et entretenu conformément aux instructions fournies avec le produit, KitchenAid paiera pour les pièces spécifiées par le fabricant pour la cavité du four et l'intérieur de la porte en porcelaine si la pièce rouille par suite de vices de matériaux et de fabrication. KitchenAid paiera pour les pièces spécifiées par le fabricant pour le système de commandes transistorisées et le tube magnétron dans les fours combinés, pour corriger les vices de matériaux et de fabrication.

GARANTIE LIMITÉE DE LA SIXIÈME À LA DIXIÈME ANNÉE INCLUSIVEMENT SUR LA CAVITÉ DU FOUR ET L'INTÉRIEUR DE LA PORTE EN PORCELAINES SUR LES CUISINIÈRES ET FOURS ENCASTRÉS

Sur les cuisinières et fours encastrés seulement, de la sixième à la dixième année inclusivement à partir de la date d'achat, lorsque cet appareil ménager est utilisé et entretenu conformément aux instructions fournies avec le produit, KitchenAid paiera pour les pièces spécifiées par le fabricant pour la cavité du four et l'intérieur de la porte si la pièce rouille par suite de vices de matériaux de fabrication.

KitchenAid ne paiera pas pour :

1. Les visites de service pour rectifier l'installation de votre appareil ménager, montrer à l'utilisateur comment utiliser l'appareil ou remplacer des fusibles, rectifier le câblage électrique du domicile ou remplacer des ampoules d'éclairage accessibles au propriétaire.
2. Les réparations lorsque l'appareil est utilisé à des fins autres que l'usage unifamilial normal.
3. Le ramassage et la livraison. Votre appareil ménager est conçu pour être réparé à domicile.
4. Les dommages imputables à : accident, modification, mésusage, abus, incendie, inondation, mauvaise installation, actes de Dieu, ou utilisation de produits non approuvés par KitchenAid Canada.
5. Les réparations aux pièces ou systèmes résultant de modifications non autorisées faites à l'appareil.
6. Le coût des pièces de rechange ou de la main-d'oeuvre de réparation pour les appareils utilisés en dehors du Canada.
7. Les frais de voyage ou de transport pour les clients qui habitent dans des régions éloignées.
8. Tous frais de main-d'oeuvre au cours des périodes de garanties limitées.

KITCHENAID CANADA DÉCLINE TOUTE RESPONSABILITÉ AU TITRE DE DOMMAGES SECONDAIRES OU INDIRECTS.

Certaines provinces ne permettent pas l'exclusion ou la limitation des dommages secondaires ou indirects : par conséquent, cette exclusion ou limitation peut ne pas s'appliquer dans votre cas. Cette garantie vous donne des droits juridiques spécifiques, et vous pouvez aussi avoir d'autres droits qui varient d'une province à une autre.

Cette garantie ne s'applique pas en dehors du Canada. Contacter le vendeur autorisé KitchenAid pour savoir si une autre garantie s'applique.

Si vous avez besoin de service, voir d'abord la section "Dépannage" de ce manuel. Après avoir vérifié la section "Dépannage", une aide supplémentaire peut être trouvée en vérifiant la section "Assistance ou Service" ou en téléphonant sans frais au Centre d'interaction avec la clientèle KitchenAid, au 1-800-461-5681. Pour pièces, accessoires, installation et service composer le 1-800-807-6777. 4/01

Conservez ce manuel et votre reçu de vente ensemble pour référence ultérieure. Pour le service sous garantie, vous devez présenter un document prouvant la date d'achat ou d'installation.

Inscrivez les renseignements suivants au sujet de votre appareil pour mieux obtenir assistance ou service en cas de besoin. Vous devrez connaître les numéros complets de modèle et de série. Cette information est donnée sur la plaque signalétique des numéros de modèle et de série, située sur votre appareil tel qu'indiqué dans la section "Pièces et caractéristiques".

Nom du marchand _____

Adresse _____

Numéro de téléphone _____

Numéro de modèle _____

Numéro de série _____

Date d'achat _____

4456479

© 2003. All rights reserved.
Tous droits réservés.

® Registered Trademark/TM Trademark of KitchenAid, U.S.A., KitchenAid Canada licensee in Canada
® Marque déposée/TM Marque de commerce de KitchenAid, U.S.A., Emploi licencié par KitchenAid Canada au Canada

6/03
Printed in U.S.A.
Imprimé aux É.-U.

