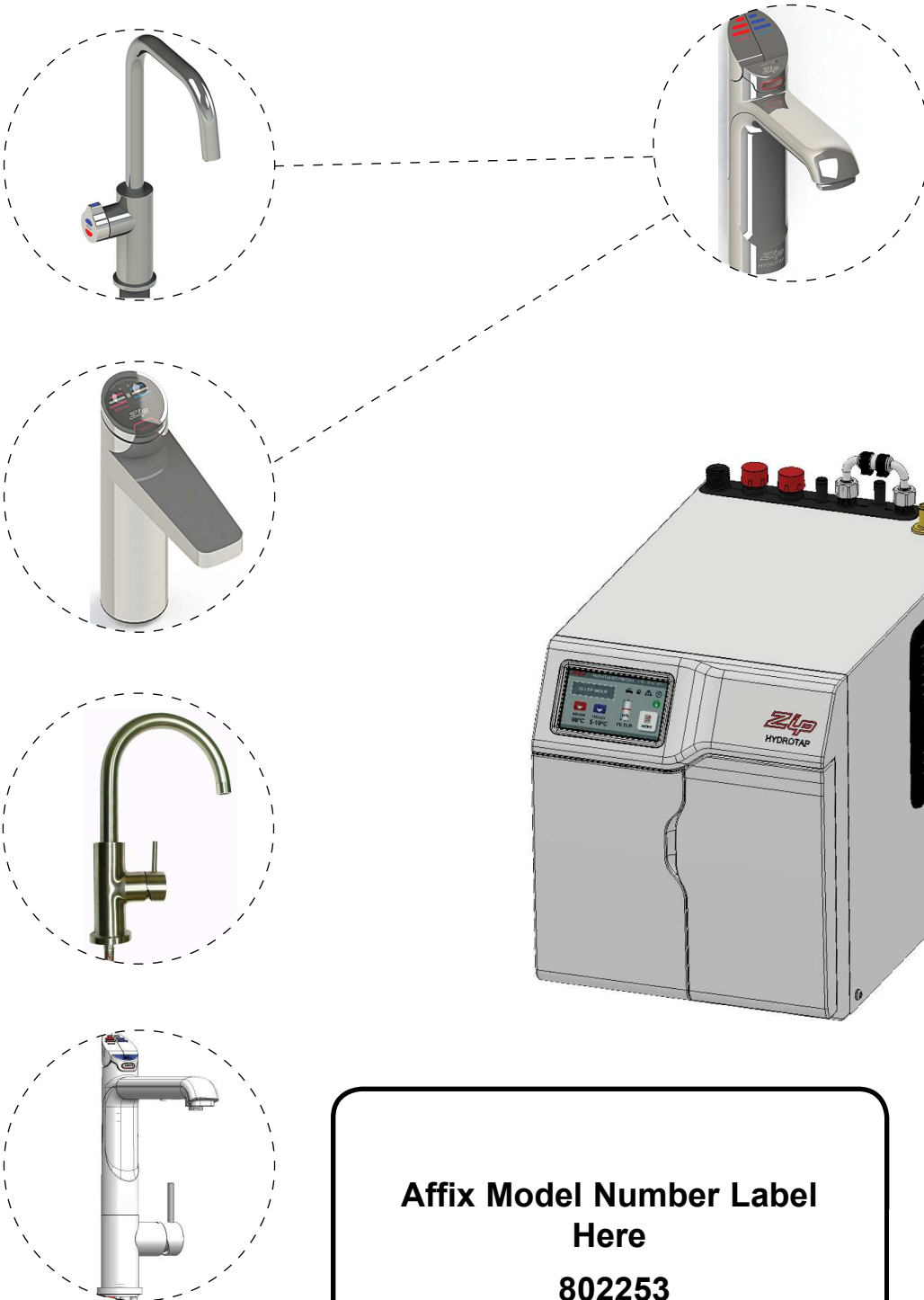


# Zip HydroTap® G4

Filtered boiling and chilled drinking water for residential use.



**Affix Model Number Label  
Here  
802253**



## Index

### HydroTap Specifications

Installation check list .....	3
General Product Features .....	4
Important Safety Instructions .....	5
Warnings and Regulatory Information.....	6
Major components and Accessories .....	7
Technical Specification .....	8
Before Installation and site requirements.....	9

### Installation Instructions

#### STEP 1 - Measure and cut all the tap holes before fitting the taps

##### Section 1 - Tap Installation instructions

1.1 - HydroTap Tap Classic & Elite tap Installations .....	10-12
1.6 - HydroTap Arc/Cube tap Installations .....	13-14
1.10 - Mixer Tap Installation.....	15-17
1.14 - All-In-One Tap with MAINS and VENTED Installation .....	18-21

#### STEP 2 - Check for adequate ventilation

##### Section 2- Ventilation

2.1- Vent cut out details.....	22-24
--------------------------------	-------

#### STEP 3 - Install the Booster Heater (if required)

##### Section 3 - Booster heater Installation

3.1- Booster Heater specifications and Installation .....	25-27
---	-------

#### STEP 4 - Install the undersink unit

##### Section 4 - Undersink unit installation

4.1- Check the external bypass valve setting .....	28
4.2- Fit the mains water supply hose .....	28
4.3- Model BC 160/125 and BC 160/175 .....	29
4.4- Model AIO Mains .....	30
4.5- Model AIO Vented.....	31
4.6- Model 4-In-1 Vented .....	32

#### STEP 5 - Commission the HydroTap

##### Section 5 - Commissioning

5.1- Select the Language .....	33
5.2- Filter Flush .....	3
5.3- Flow Calibration .....	33
5.4 Boiling Calibration .....	34
5.5- Booster activation .....	34
5.6- Safety Sensor Calibration .....	34

### Trouble Shooting

Trouble Shooting Table.....	35
End of life disposal .....	36
Contact details .....	36

## Installation checklist

### Before Installation:

- A. Read the instructions and check if there is adequate space to mount all of the components.
- B. Note: Not all fittings are supplied with the appliance kit. Isolation valves are not supplied.
- C. Check the mains water pressure is between 172 - 700kPa and 200 - 700kPa when a booster and /or filter softener is fitted
- D. Check the water quality to determine if extra filtration will be required.  
**NOTE:** This product must be fitted to a potable water supply
- E. Check the appliance rating plate and ensure correct power is available for the appliance.
- F. Check the under counter cupboard supporting the appliance is adequate for the total weight of the appliance, when full of water.

### Before Commissioning:

- 1. Check the unit has been installed correctly.
- 2. Check all plumbing fittings have been tightened.
- 3. Ensure the outlet and vent pipes are positioned to drain correctly.
- 4. Ensure there is adequate ventilation.
- 5. Check all tubes from the undersink unit to the tap, have a constant rise and there are no sags or kinks in the hoses.
- 6. Check all electrical connections are correct and there are no loose wires.

### Commission: (See section 5)

- 7. Flush the supply line before connecting.
- 8. Turn on the water and check for leaks.
- 9. Flush the filter(s).
- 10. Where applicable, programme the unit to suit the customer's requirements.

## General Product Features

Thank you for purchasing a Zip HydroTap. Please read and follow these instructions carefully to ensure safe and trouble free service. If service is required, please call 1800 460 222

### What is the Zip HydroTap ?

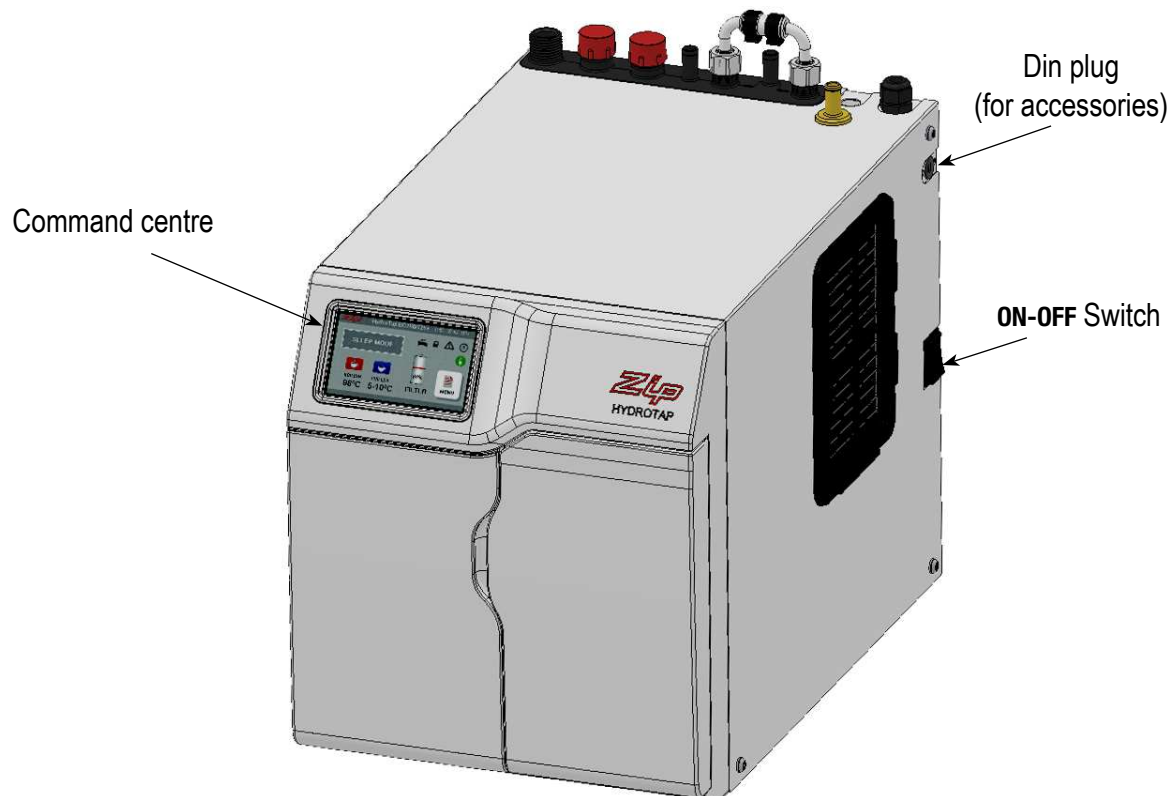
The Zip HydroTaps are electronically controlled, filtered, Boiling water and Chilled water drinking systems for kitchens and tea rooms. The HydroTap units are under bench drinking water appliances with a dispensing tap mounted on a sink or bench, which has been designed for residential applications. These units utilise a conventional refrigerant compressor to chill the water and an immersion heating element to boil the water. These units dispense boiling water (factory set to 98°C) and chilled water (factory set to 6-10°C). These units are NOT designed to be used for sanitary fixtures.

The Boiling water units are fitted with a tap mounted, child safety lock. In addition, there are various energy saving options accessible via the main menu. Each unit is equipped with a self-calibrating program which caters for altitude adjustment. The water filter is a disposable item which will require periodic replacement and is covered by a limited OEM warranty.

It is important that the Installation be done safely, correctly and completely, in order to utilise all the benefits the HydroTap can provide. The Classic and All-In-One taps may be ordered with the Tap Head Assembly for Disabled use. The disabled levers are supplied with Braille caps for the visually impaired.

### Usage:

The Zip HydroTap is intended for use in residential household and similar applications such as, Rural and urban residential Kitchens, Hotels, Motels, Bed and Breakfast and other residential type environments.



## Important Safety Instructions

This manual contains important safety, Installation instructions for the Zip HydroTap G4.

### Safety

This appliance is not intended for use by persons (including children) with reduced physical, sensory or mental capabilities, or lack of experience and knowledge, unless they have been given supervision or instruction concerning use of the appliance by a person responsible for their safety. Children should be supervised to ensure that they do not play with the appliance.



For products sold in Europe, this appliance can be used by children aged from 8 years and above and persons with reduced physical, sensory or mental capabilities or lack of experience and knowledge if they have been given supervision or instruction concerning use of the appliance in a safe way and understand the hazards involved. Children shall not play with the appliance. Cleaning and user maintenance shall not be made by children without supervision.

### Refrigerant

The Zip HydroTap unit contains R134A refrigerant under pressure. Maintenance of the refrigeration unit must be carried out by an accredited service provider or qualified refrigeration technician.

### Qualifications

If the power cable is damaged it must be repaired only by a qualified technician. To avoid hazards, all Installation procedures must be carried out by a suitably qualified tradesperson. The power cable and power outlet must be in a safe visible position for connection.

### Venting

Sometimes steam and / or condensed droplets may discharge through a vent outlet at the tap. If the tap is not installed using the Font pedestal, ensure the tap body is located so the tap outlet safely dispenses into the sink bowl area.

### Lifting

Take care when lifting the Zip HydroTap unit. Some units may exceed safe lifting limits. If you feel this is beyond your personal capabilities, please seek assistance with the lift. The weights of the units are marked on the packaging. Do not lift the unit by the front cover or any connections at the top rear of the unit. Refer to section 1.2 technical specification for the weight of your product.

### Airflow

The ambient operating temperatures, when installed in a cupboard, must be between 5°C - 35°C. The system will operate satisfactorily only if the recommended air gaps of 50mm on each side are provided. If a vent kit is supplied it must be fitted. See section 2 for correct installation details.

### Altitude

Water boils at varying temperatures at different altitudes. Your HydroTap adjusts for this during startup calibration and will recalibrate itself on a regular basis.

### Frost Protection

If this appliance is located where the ambient air temperature could fall below 5°C when the heater is not in use, do not turn off the appliance electrically. This safeguard does not offer the same protection to the connecting pipework and fittings.

## Important Safety Instructions

### Positioning




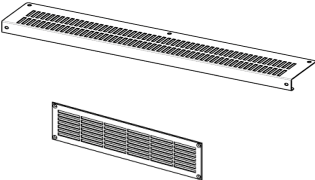
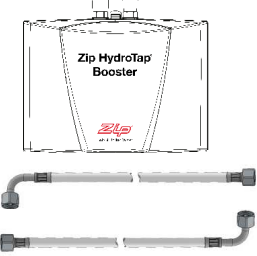
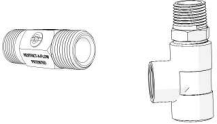
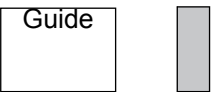

It is important to ensure the undersink unit is positioned in an accessible area close to the floor level. The unit must have its base mounted in a horizontal position with all inlets and outlets facing up. The Tap must be located above the undersink unit. See section 1 for details.

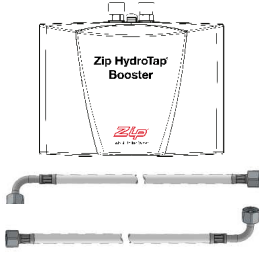

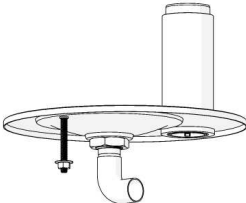

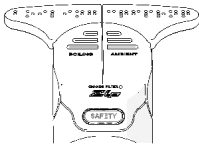



### WARNINGS

1. The Zip HydroTap unit must be earthed. The resistance of the earth connection from each exposed metal part must be less than 1 ohm.
2. All Installation and service work must be completed by trained and suitably qualified Tradespeople. Faulty operation due to unqualified persons working on this product, or any other Zip product may void warranty coverage.
3. All Plumbing must comply with AS/NZS3500.
4. All Electrical must comply with AS/NZS3000
5. All Plumbing and Electrical connections must be made in accordance with local regulations.
6. This HydroTap product is rated for 230V 50Hz AC operation.
7. Undersink units must never be located near, or cleaned with water jets.
8. Zip HydroTaps are not to be exposed to the elements of nature
9. Due to the process of continuous improvement, Zip Heaters reserves the right to change details mentioned in this manual, without notice.

## Major components and accessories

Parts supplied	Description
	1 x Tap option with hoses  (Classic tap shown)
	1 x HydroTap Undersink Unit with air and water filters
	1 x Mains water connection hose
	Vent Kit 1 x Inlet vent 1 x Outletvent 9 x Screws
	1 off HydroTap Booster Heater & hoses. (supplied with BCHAV & 4-IN-1 models)
	1 x Restrictaflow valve and Tee piece for Mixer taps and select models
	1 x User guide and 1 x Quick start guide
	1 x Mixer Tap for 4-In-1 and select models (with hoses) (ARC tap shown)

Accessories	Description
	HydroTap Booster Water System with connection hoses
	Font Kit for Arc & Cube Models
	Font Kit for Classic & Elite Models
	Replacement Filter
	Disabled lever Kit
	4-In-1 Upgrade Kit

## Technical Specifications

<b>Models</b>	
BC	Boiling and Chilled
BCHA	4 in 1
A	All in One - Mains
AV	All in One - Vented
D	Disabled lever controls (optional accessory)

	GPO's Required	Power Rating (kW)	Boost Rating (kW)	Unit Dimensions W x D x H (mm) with air duct	**Dry Weight (KG)
<b>Boiling Chilled</b>					
BC	1x10A	1.55	N/A	280 x 470 x 335	24
<b>4 in 1</b>					
BCHA	2x10A	1.55	2.2	280 x 470 x 335	24
<b>All in One</b>					
BCHA-A	1x10A	1.55	N/A	280 x 470 x 335	24
BCHA-AV	2x10A	1.55	2.2	280 x 470 x 335	24

\*\* Add an extra 5 kg when full of water

## Before Installation



**Before installing ensure that the following have been provided at the Installation site:**

- Review all the technical specifications.
- Ensure the underbench can support the product weight when full of water, (allow an extra 5 kg when full. )
- Sufficient space in the cupboard to install all of the undersink units in accordance with these Installation Instructions. Refer to technical specification for dimensions. Make allowance for a booster heater and / or water softener if required. Refer to section 3 & 4, for Installation instructions.
- For BC HydroTaps & BCHA-A (Mains) models, a 220-240Vac, 10A GPO will be required. For BCHA 4-In-1 & BCHA-AV (Vented) models, two 220-240Vac, 10A GPOs will be required. (One GPO is for the Zip HydroTap and the other for the Booster heater).



 **Note: Check all cable and hose lengths against inlet /outlet positions before proceeding** (See section 4 for general layout).

- A potable water supply connection with isolating valve inside the cupboard within reach of the braided hoses and positioned so that the connection point and the stop cock will not be obstructed when the undersink units are installed.
- For the mains pressure All-IN-ONE, an external hot and cold water supply will be required.
- If an external filtration or water softening device is required, then it is important to allow extra space for these items.
- A cold water supply with a minimum working pressure of 172kPa (200kPa when a booster and /or filter softener is fitted) and a maximum working pressure of 700kPa connected via an isolation valve.
- The appliance must be placed with it's base in a horizontal position.

**IMPORTANT!** Do not proceed with the Installation if these requirements are not met.

### Special Tools Required:

In addition to normal tools, the following will be required:

For the standard and Mixer taps:

- 35mm diameter sheet metal hole punch for sink tops. (Not supplied)
- 35mm diameter hole saw for timber bench tops. (Not supplied)
- Nut runner tube spanner (supplied) for fixing tap assembly.

For the All-In-One tap:

- 50mm diameter sheet metal hole punch for sink tops. (Not supplied)
- 50mm diameter hole saw for timber bench tops. (Not supplied)
- Nut runner tube spanner (supplied) for fixing tap assembly.

# Section 1

## Tap Installation

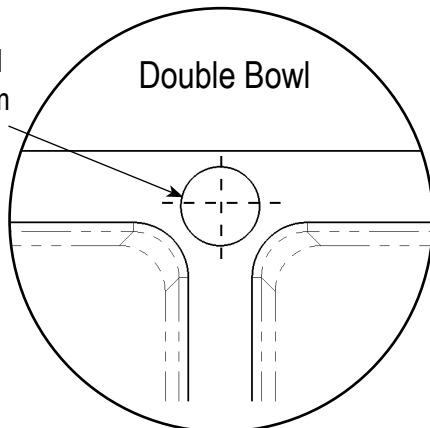
### Hole positioning:

Position the tap such that it dispenses into the sink bowl with ample clearance for a cup or tea pot. Alternatively, the tap could be mounted away from the sink using a Zip Font, available as an accessory.

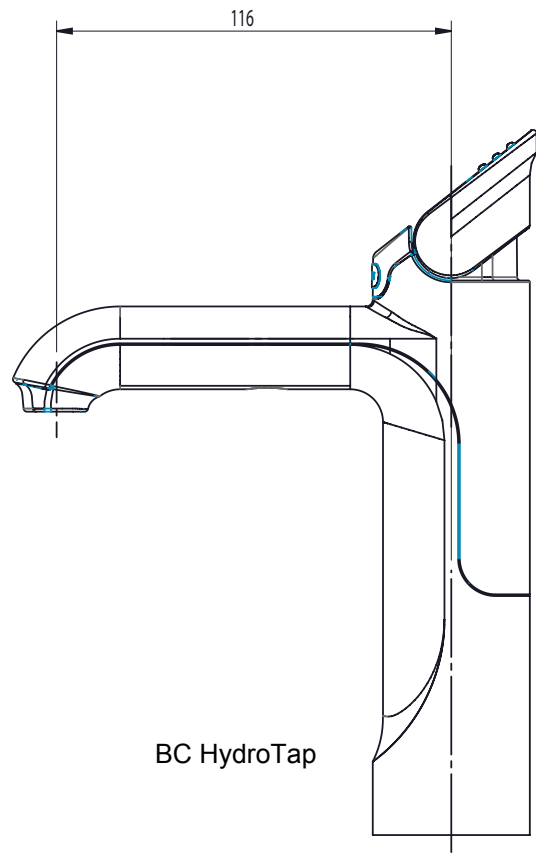
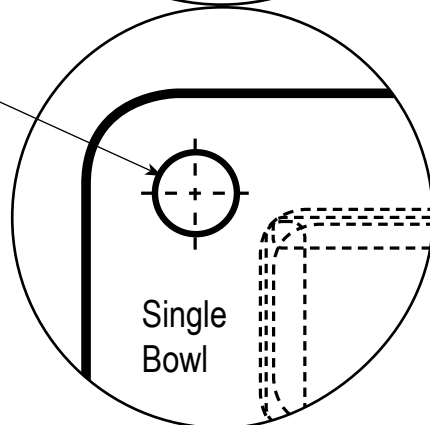
TAP	Recommended dispensing distance **
Elite	116 mm
HydroTap Classic	116 mm
HydroTap Arc/Cube	171 - 174 mm (Extended)
All-In-One	211 mm
Mixer - Arc neck	231 mm
Mixer - Classic	270 mm
Mixer - Cube neck	310 mm

\*\* Check bowl depth and adjust accordingly

For  
A-I-O 50mm and  
Mixer taps 35mm  
hole

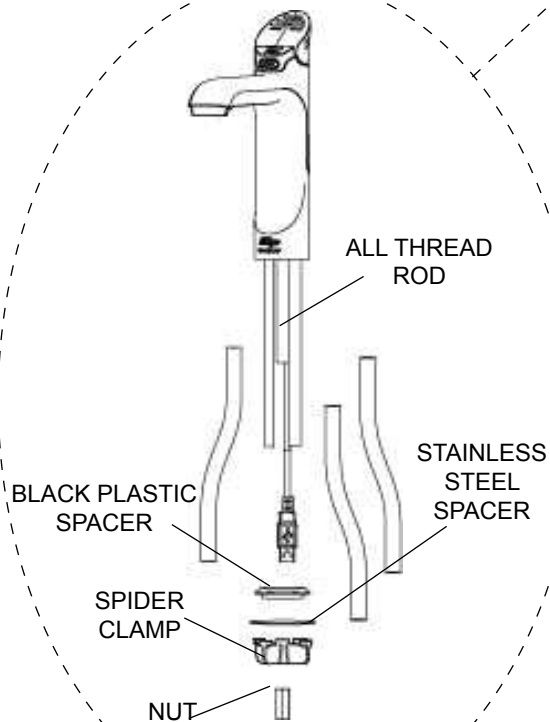


For  
Elite, Classic  
and Arc/Cube  
35mm hole

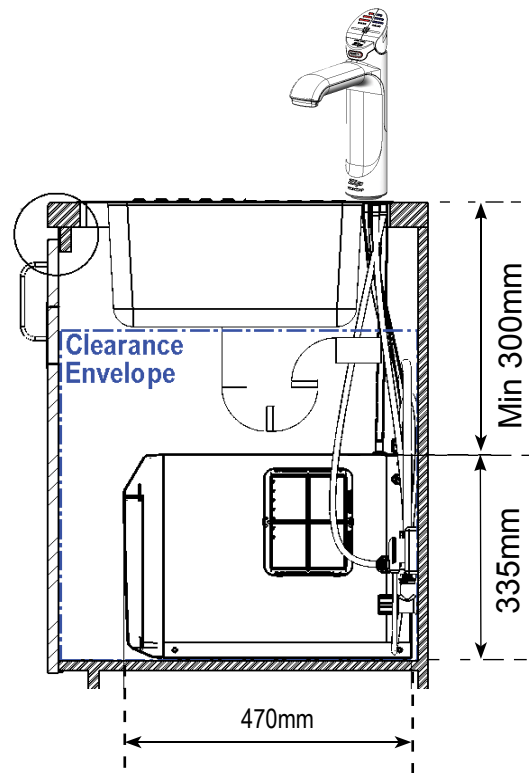


# HydroTap & Elite Installation

## HydroTap Classic

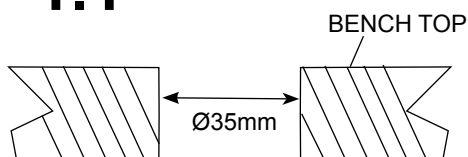


## EliteTap



Tap assembly exploded view and kitchen layout side view.

### 1.1



Cut a 35mm hole in the bench / sink top.

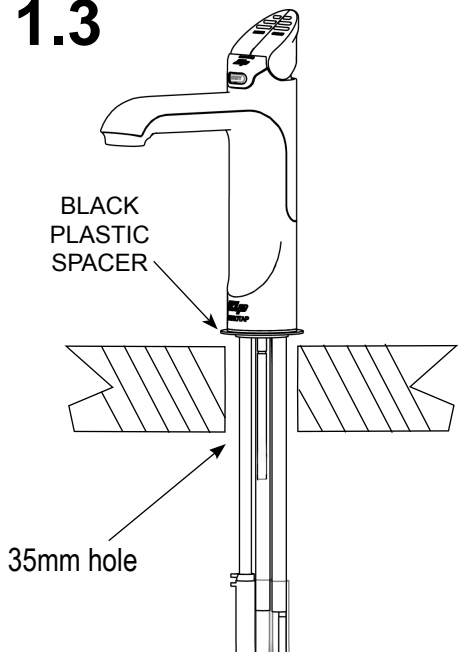
### 1.2



Apply a light smearing of silicon sealant on the underside of the spacer to ensure a watertight fit.

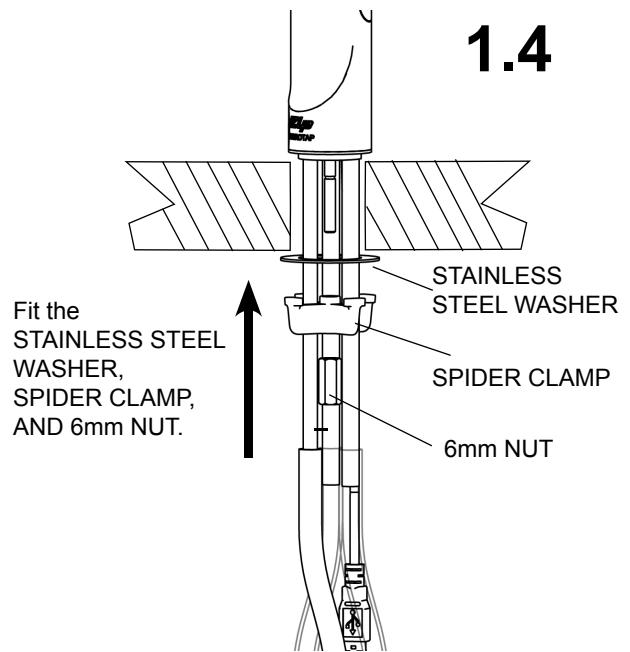
# Installation Instructions

## 1.3



Pass all the hoses, tubes and USB lead through the 35mm hole.

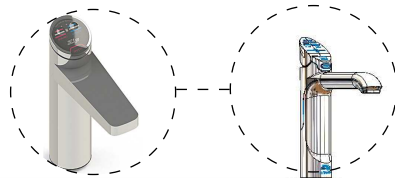
## 1.4



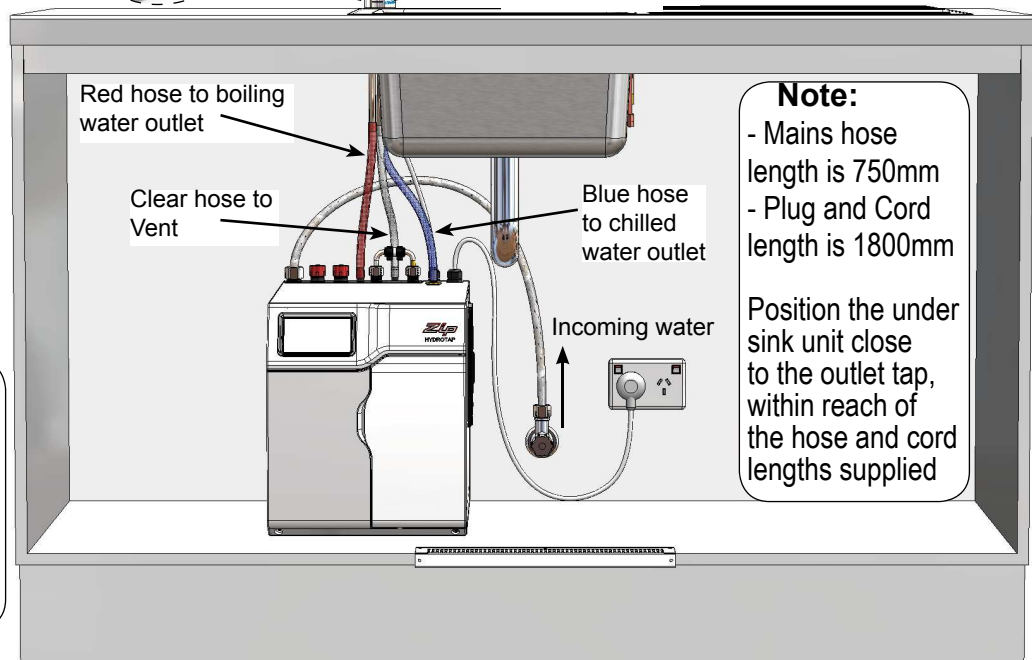
Fit the STAINLESS STEEL WASHER, SPIDER CLAMP, AND 6mm NUT.

**Note:** feed each of the three tubes and electrical cable evenly in between the legs of the SPIDER CLAMP when installing.

## 1.5



Typical HydroTap Installation (see section 5)



**Note:** All silicon tubes must be cut to size. They must have a constant fall back to the unit.

**Note:**  
- Mains hose length is 750mm  
- Plug and Cord length is 1800mm

Position the under sink unit close to the outlet tap, within reach of the hose and cord lengths supplied

# HydroTap Arc/Cube

The HydroTap Arc/Cube has a spout that may be fixed in one of 6 angular positions (depending on the position of the rotary control) and fixed in one of two height positions. The spout is fixed and does not swivel.

**NOTE:** The tube kit must be fitted after the HydroTap has been mounted on the benchtop or sink.

Refer to the tube kit assembly instructions, supplied with the tap kit.

**To reduce the risk of scalding, Position A should not be selected with any of the Boiling water units.** (See fig. 1.8)

## 1.6 To change the spout position

1. Remove the 2 x spout locating screws and lower the spout to expose the plastic spring clip

**NOTE:** The plastic spring clip has two internal dimples that may be positioned in the 6 upper or 6 lower, pre drilled holes in the spout (see diags. below & Figs. 1.7 & 1.8)

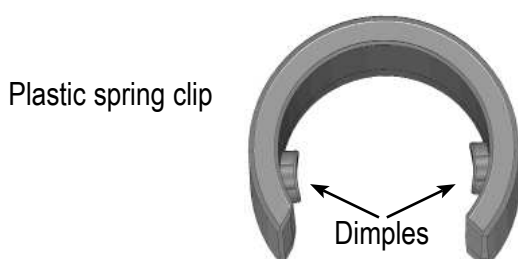
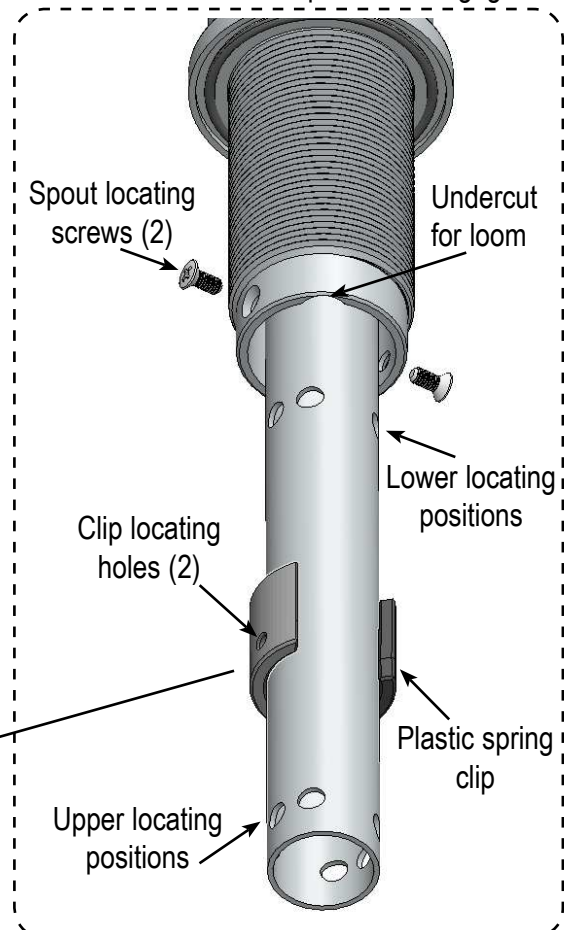
2. To reposition the spout, gently spread the plastic spring clip to release the dimples from the spout holes. When released, slide the clip on the spout so that it ends up between the two rows of holes.
3. Rotate the plastic clip on the spout to orient the dimples, so they are in line with the newly selected holes.

**NOTE:** When determining which of the 6 holes are required for the new spout height and orientation, check the new plastic clip position will clear the undercut and that the wiring loom will not be pinched, when assembled.

4. Slide the plastic clip up/down to engage with the selected holes, making sure the two dimples engage simultaneously with the two selected holes.

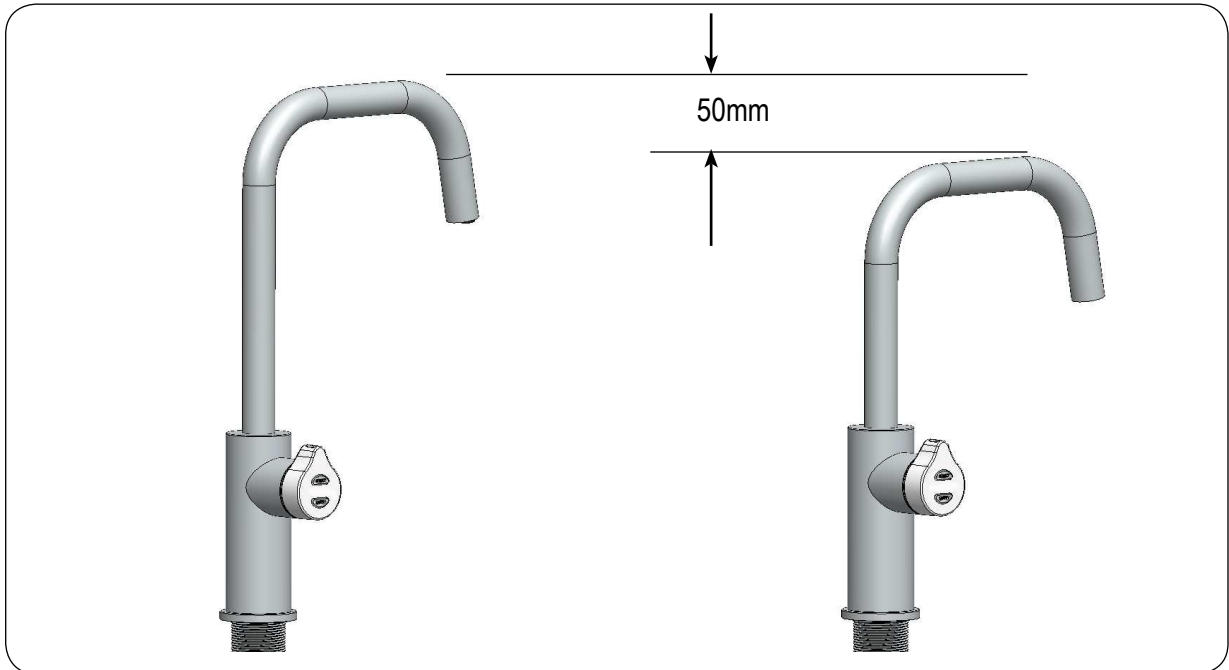
**NOTE:** The clip will not fit correctly if one dimple engages before the other. Both dimples must engage at the same time.

5. With the clip fitted to the newly selected holes, carefully raise the spout (ensure the wiring loom is a neat fit in the undercut and is located between the open ends of the clip) until the clip locating holes are in line with the spout locating screws.
6. Replace the 2 x locating screws.
7. If mounting on an uneven surface, apply a light smearing of silicon sealant on the O ring to ensure a watertight fit. (See fig. 1.9)
8. Pass the assembly through the 35mm hole and position the tap so it discharges into the sink.
9. Fit the lower rubber seal to the threaded extension.
10. Secure the tap in position with the metal washer and nut.
11. Fit the tube kit, as supplied.

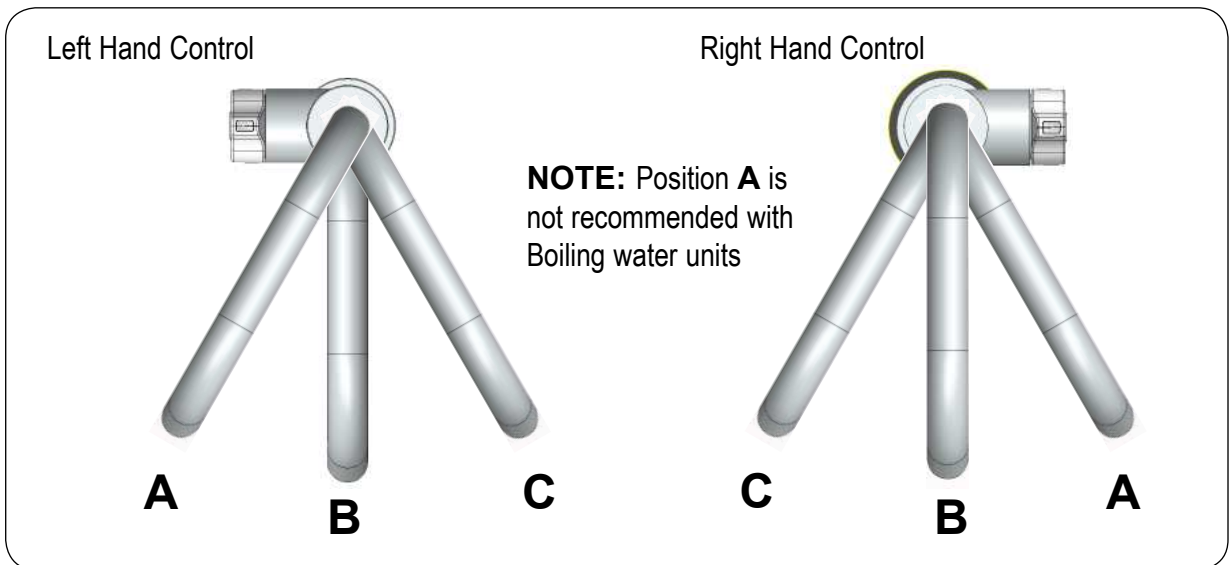


## Installation Instructions

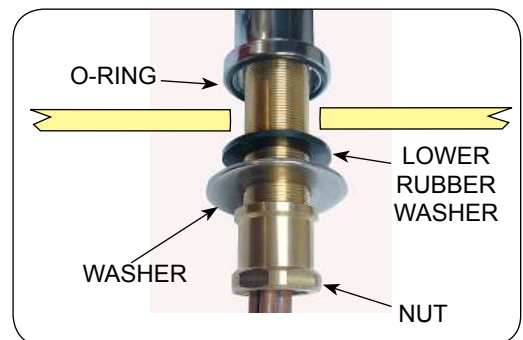
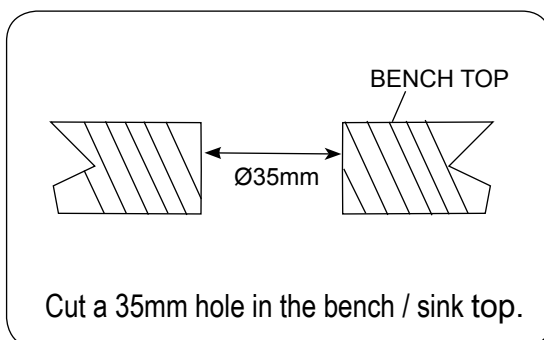
### 1.7 Height adjustment (Fixed position options)



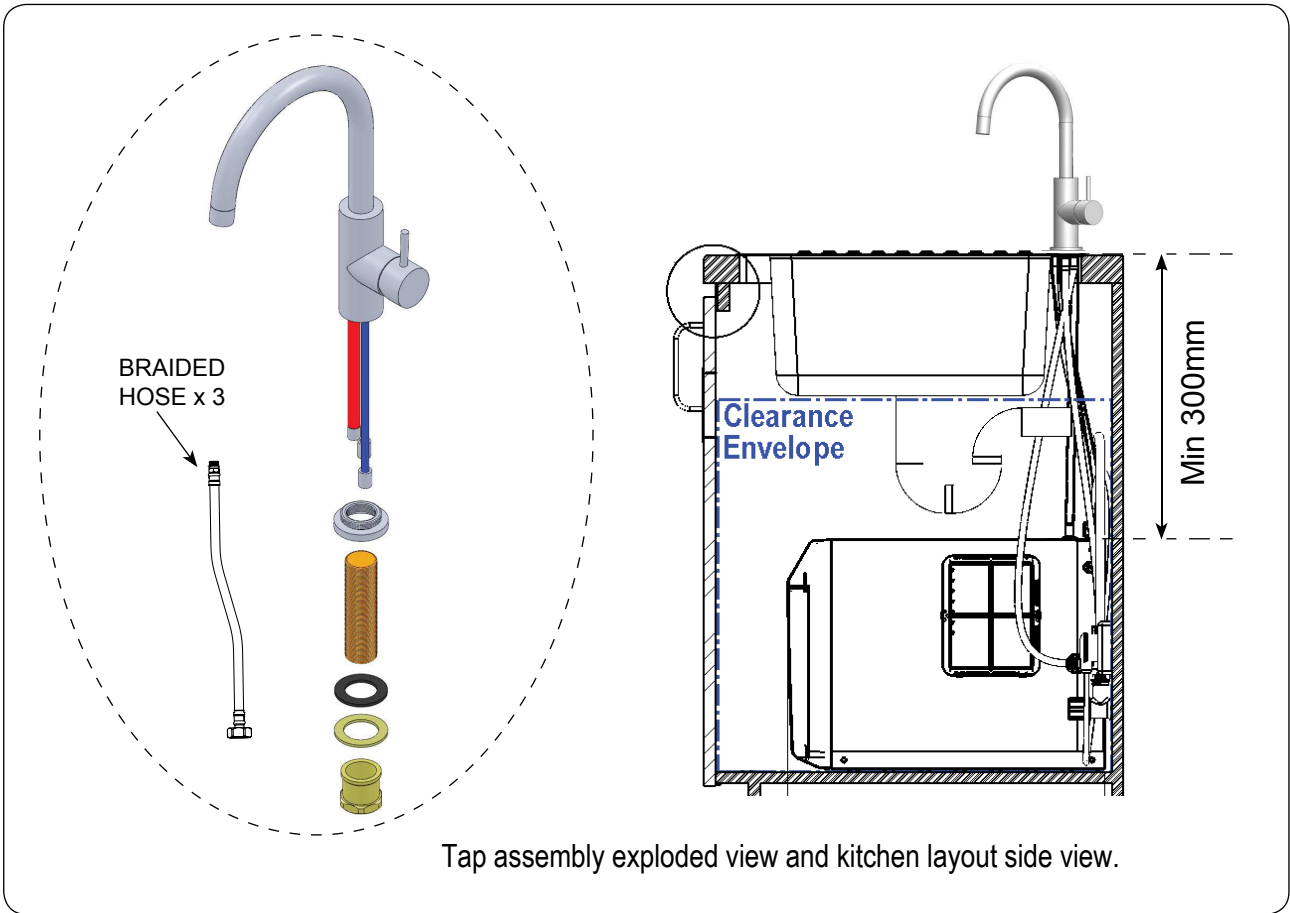
### 1.8 Angular adjustment (Fixed position options)



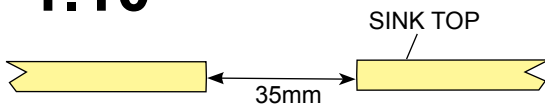
### 1.9 Mounting (See table on Page 10 )



# Mixer Tap Installation



## 1.10



Cut a 35mm hole in the bench / sink top.

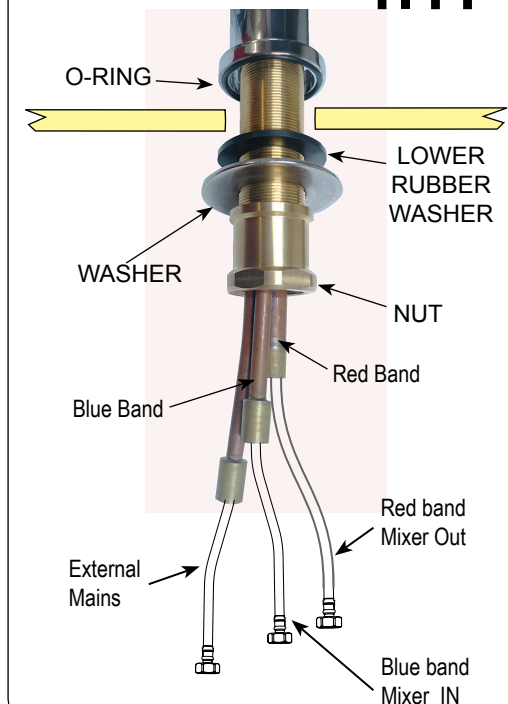


**Note:** make sure the tap location will allow the nozzle to drain into the sink.



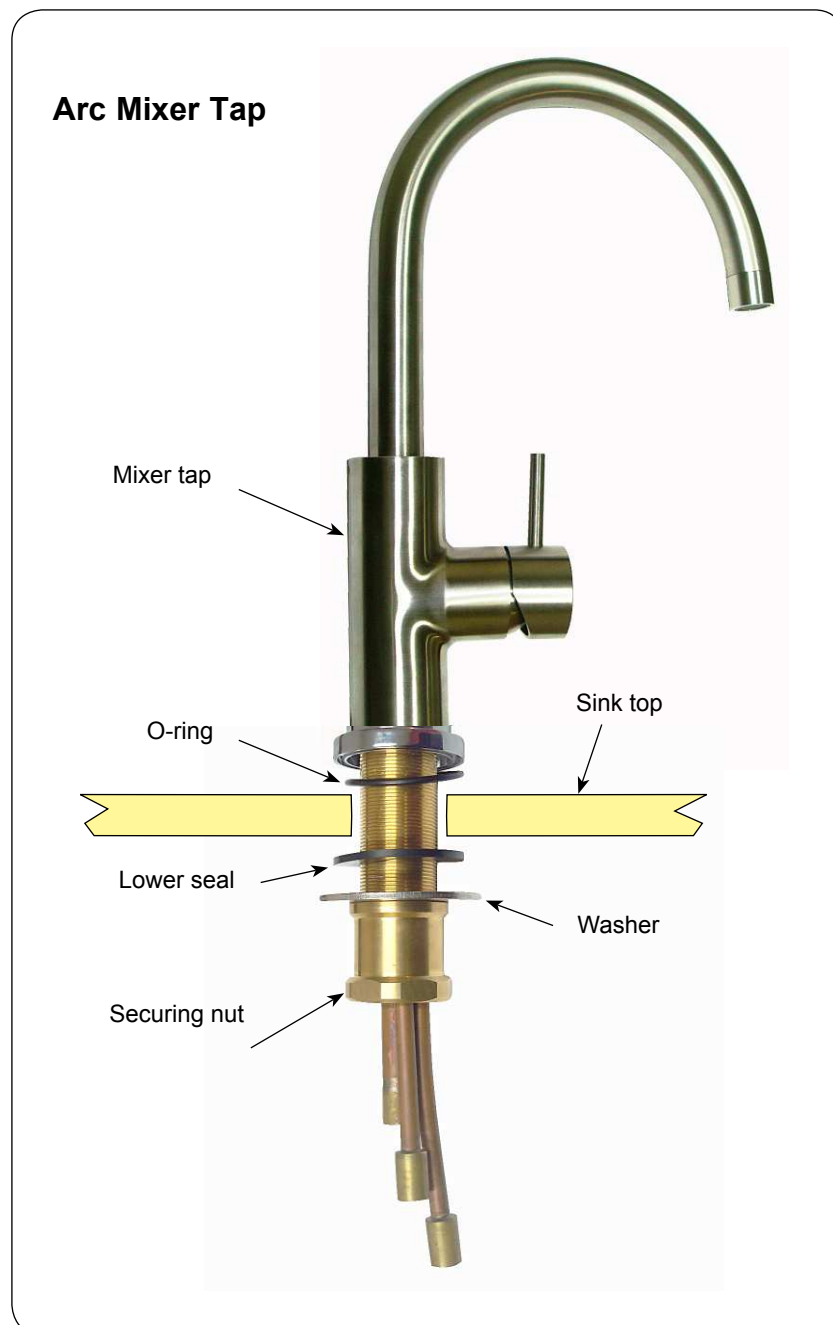
**Note:** The mixer tap requires a Zip Restrictaflow valve, as supplied, to be fitted in the cold water supply line, from the isolation valve tee piece, to the mixer tap. (See Fig. 1.13)

## 1.11



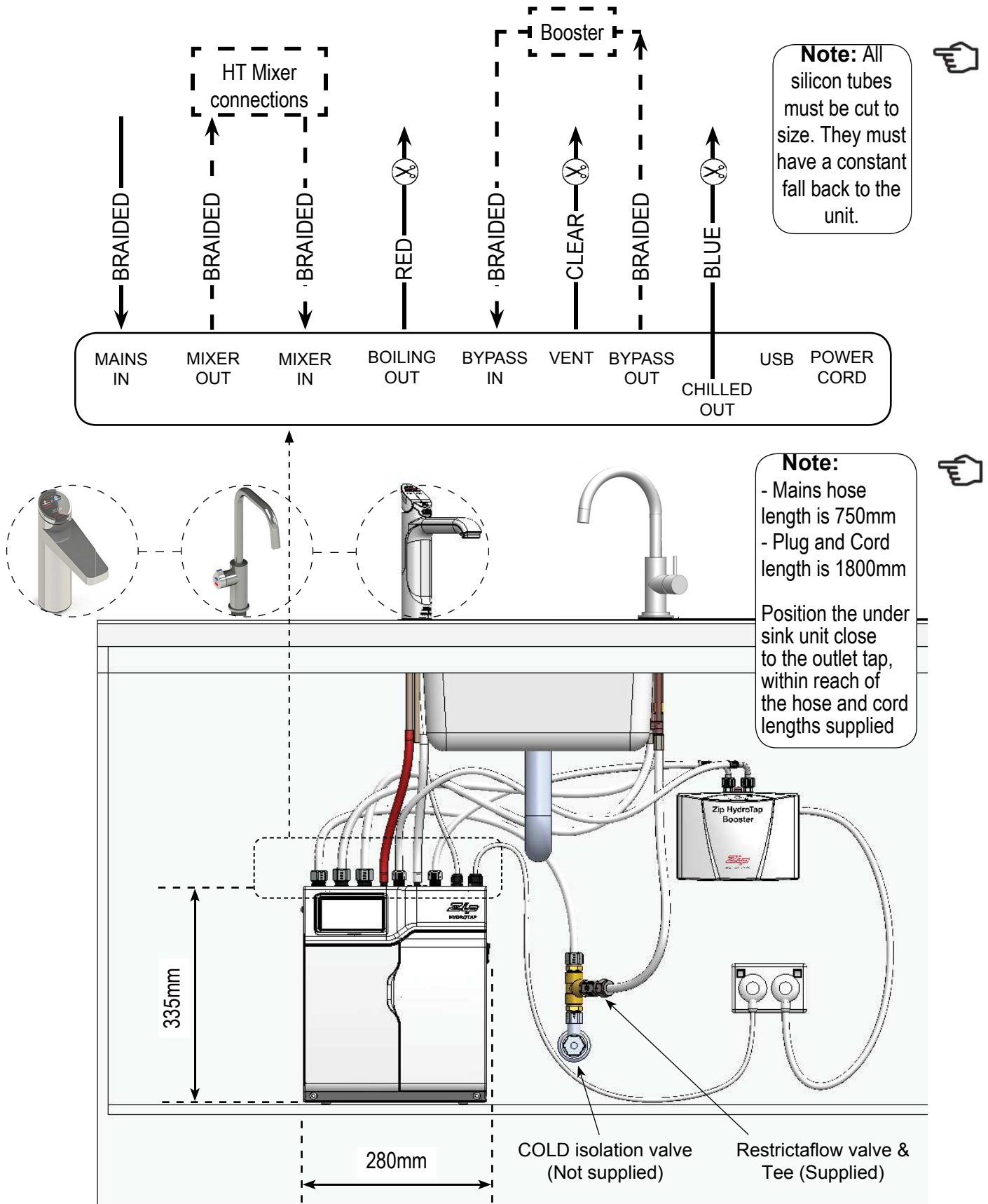
### 1.12 Installing the Mixer Tap (Classic, Arc and Cube)

- Fit the O-ring into the recess on the underside of the Mixer tap. (Note: If mounting on an uneven surface, a light smear of silicone on the O-ring will ensure a water tight seal)
- Pass the tap tubes and threaded extension through the 35mm hole and position the tap so that it discharges into the sink.
- Fit the lower rubber seal to the threaded extension.
- Secure the tap in position with the metal washer and Nut.
- Affix the three hoses to the tap. Match the hose colours to the coloured bands on the copper extension tubes. (See diag. 1.11)



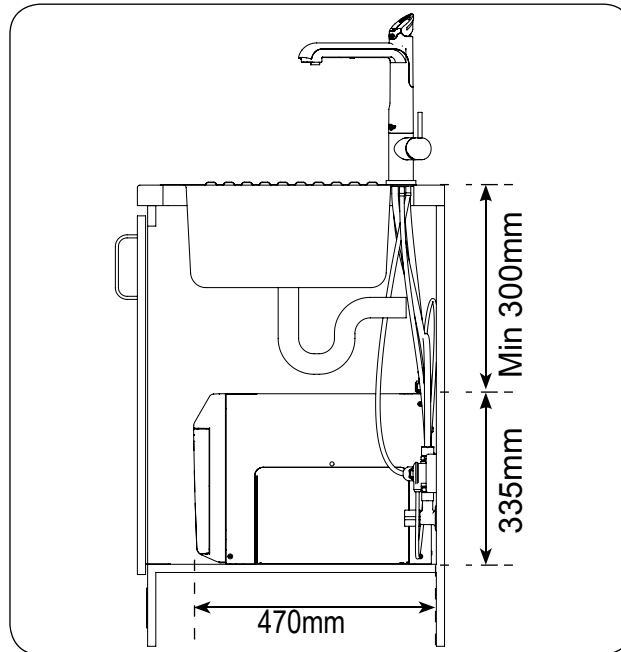
# Installation Instructions

## 1.13 Typical 4-In-1 Installation (see section 4)

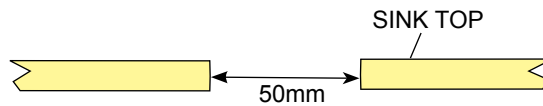


# All-In-One Tap Installation

1.14



1.15



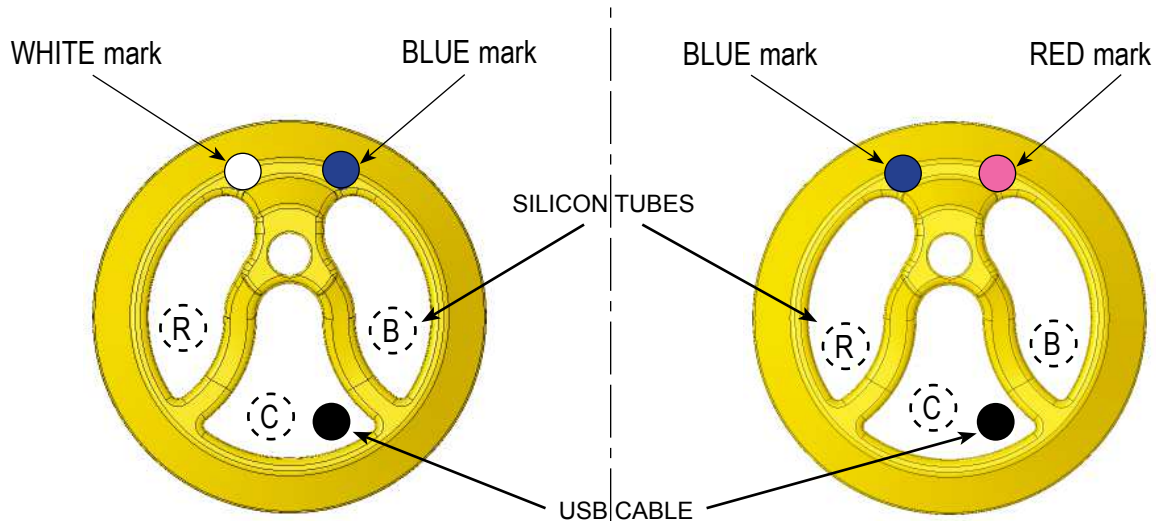
Cut a 50mm hole in the bench / sink top.

**Note:** make sure the tap location will allow the nozzle to drain into the sink. (See Page 11)

## Installation Procedure

- Fit the seal ring to the base of the tap and if mounting on an uneven surface, apply a light smear of silicone sealant to ensure a watertight seal
- Mount the tap on top of the cut out hole after passing the usb cable and tubes through the 50mm hole
- Thread the cable and silicon tubes through the circular clamp block (Check the tube colour alignment with the coloured dots on the clamp block). (See fig.1.16)
- Clamp the assembly in position using the threaded nut and clamp block
- Working from inside the cupboard, attach the braided hoses to the tube extensions (ensure the seals on the end of the hoses are lubricated). Check the correct position for Hot and Cold connections by matching the colours on the braided hoses with the coloured markings on the copper extension tubes. (See fig 1.18)
- Test for leaks after all the connections have been secured.

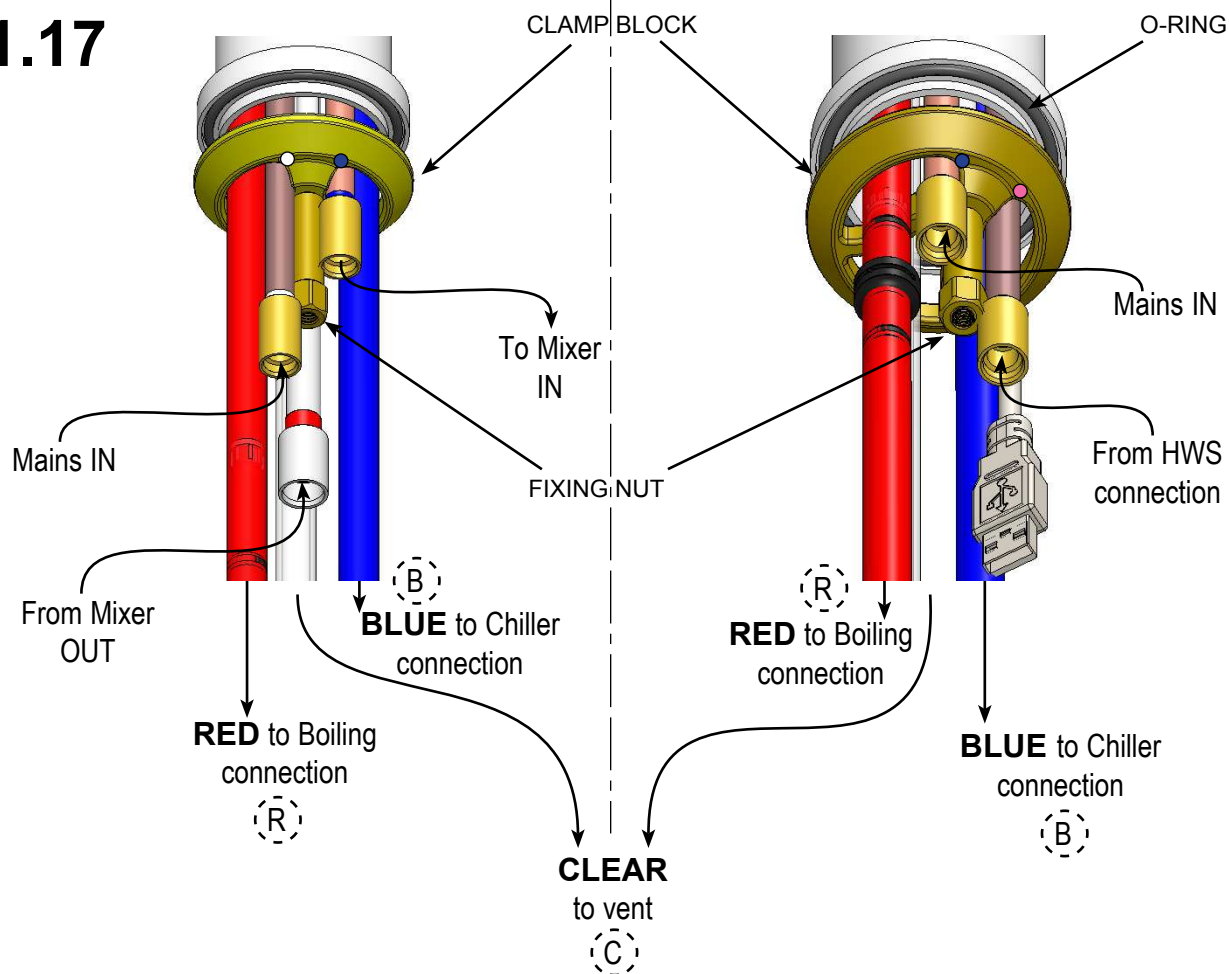
**1.16** Clamp Block markings and silicon tube positions, viewed from underneath



**AIO Vented assy**

**AIO Mains assy**

**1.17**

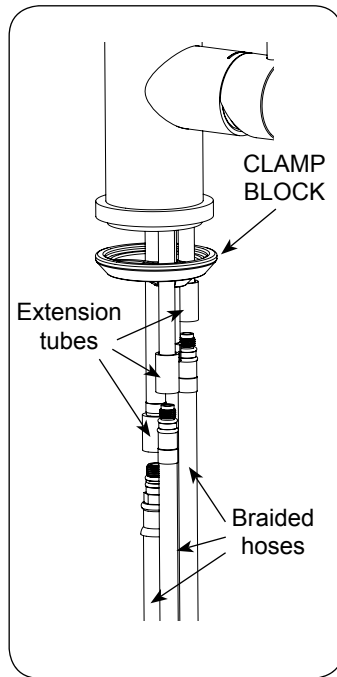


## Installation Instructions

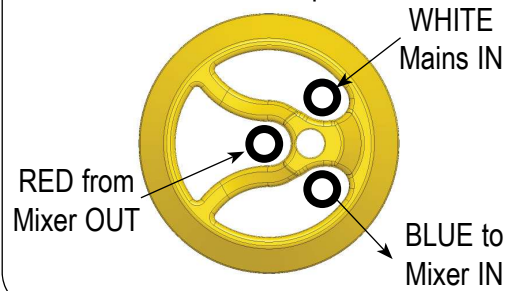
### 1.18

- Screw the braided hoses into the extension tubes. Ensure the o-rings are lubricated prior to assembly and that the braided hoses, with coloured markings, are correctly matched with the colours on the extension tubes and on the clamp block (as indicated).
- Make sure all tubes and hoses are firmly secured.

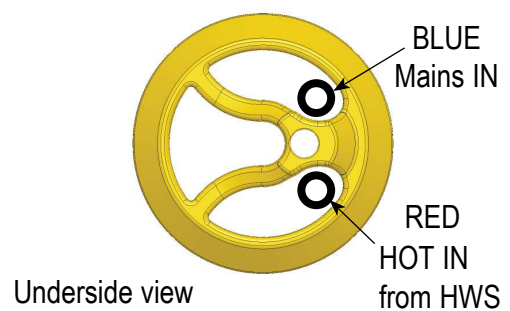
Typical Vented assembly



Vented braided hose positions



Mains braided hose positions

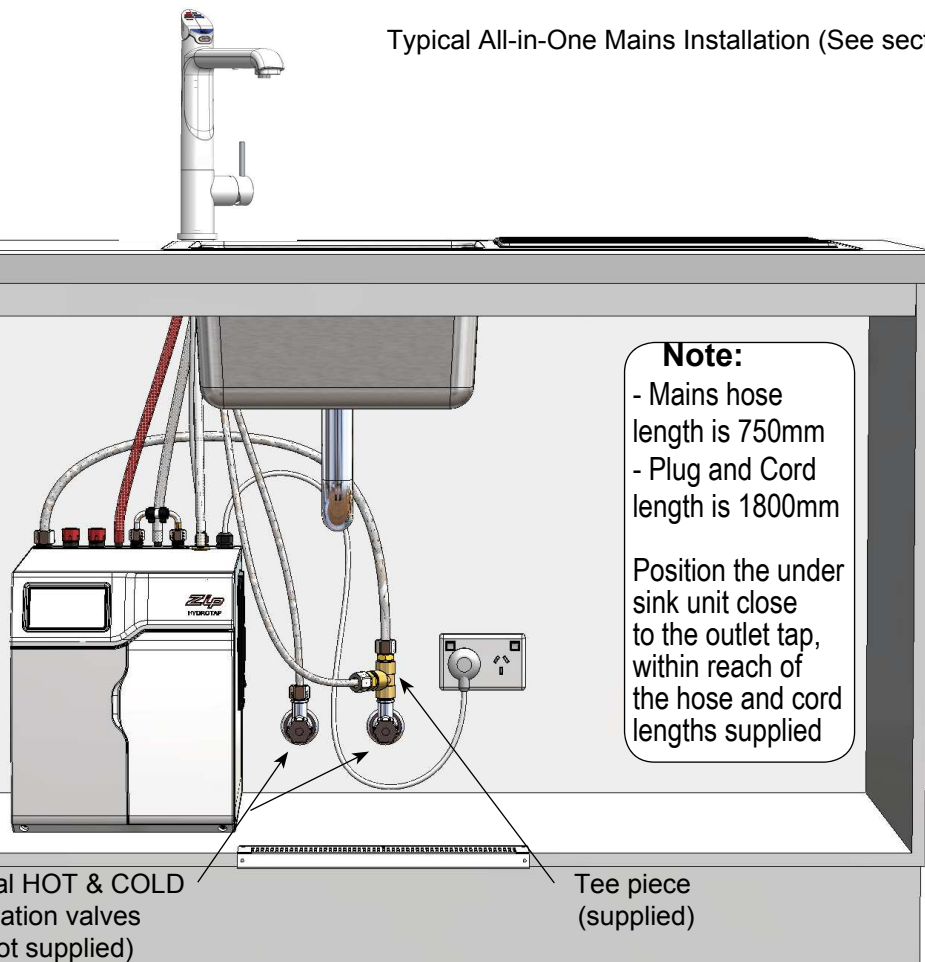


### 1.19

Typical All-in-One Mains Installation (See section 4)



**Note:** All silicon tubes must be cut to size. They must have a constant fall back to the unit.



**Note:**  
 - Mains hose length is 750mm  
 - Plug and Cord length is 1800mm  
 Position the under sink unit close to the outlet tap, within reach of the hose and cord lengths supplied

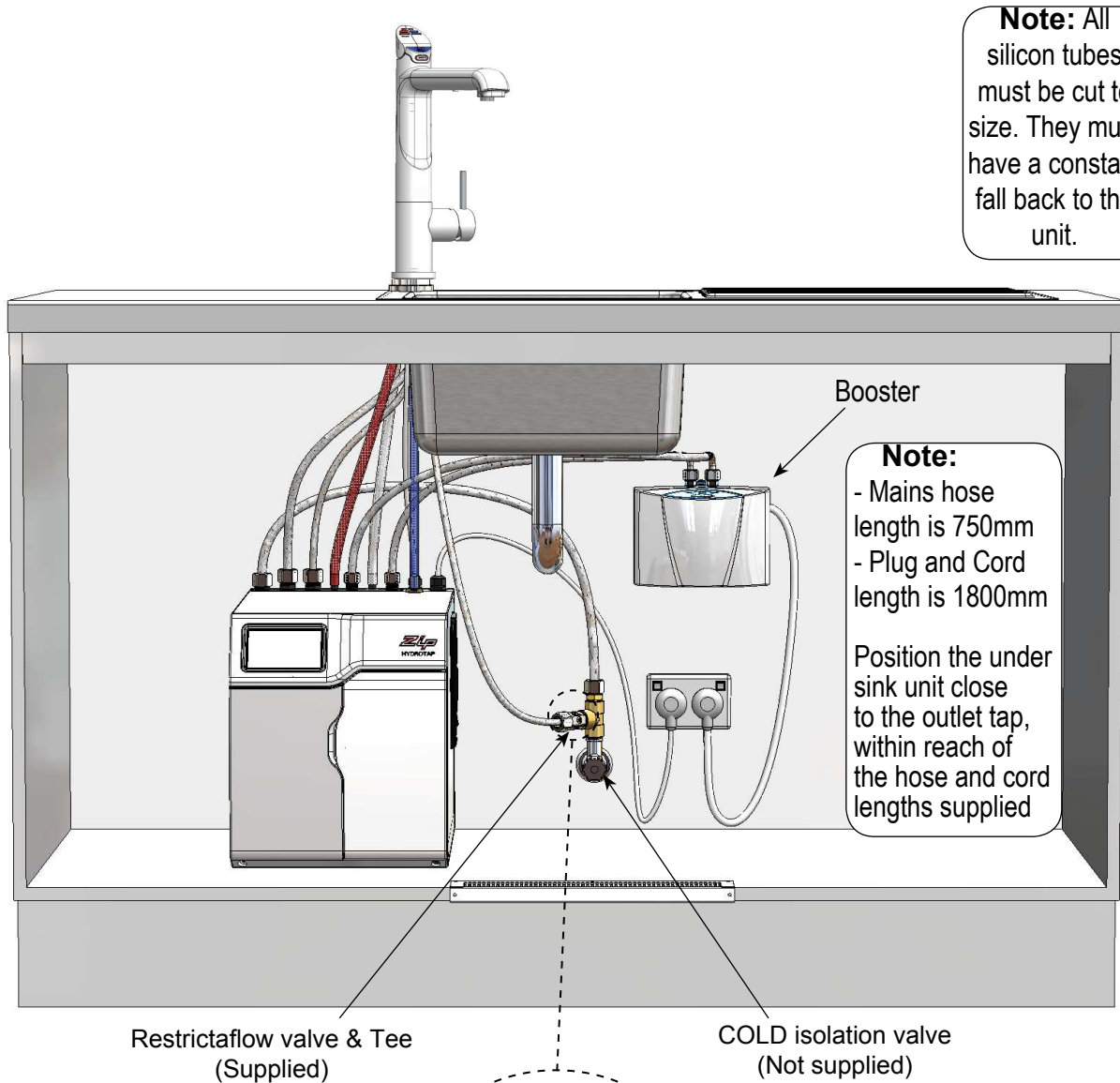
External HOT & COLD isolation valves (Not supplied)

Tee piece (supplied)

## Installation Instructions

### 1.20

Typical All-In-One Vented assembly with Booster heater (See section 3)



**Restrictaflow valve**



**Note:** The All-In-One vented taps require a Zip Restrictaflow valve and Tee piece, as supplied, to be fitted in the cold water supply line, from the isolation valve (Not supplied), to the mixer tap. (See diagrams)

# Section 2

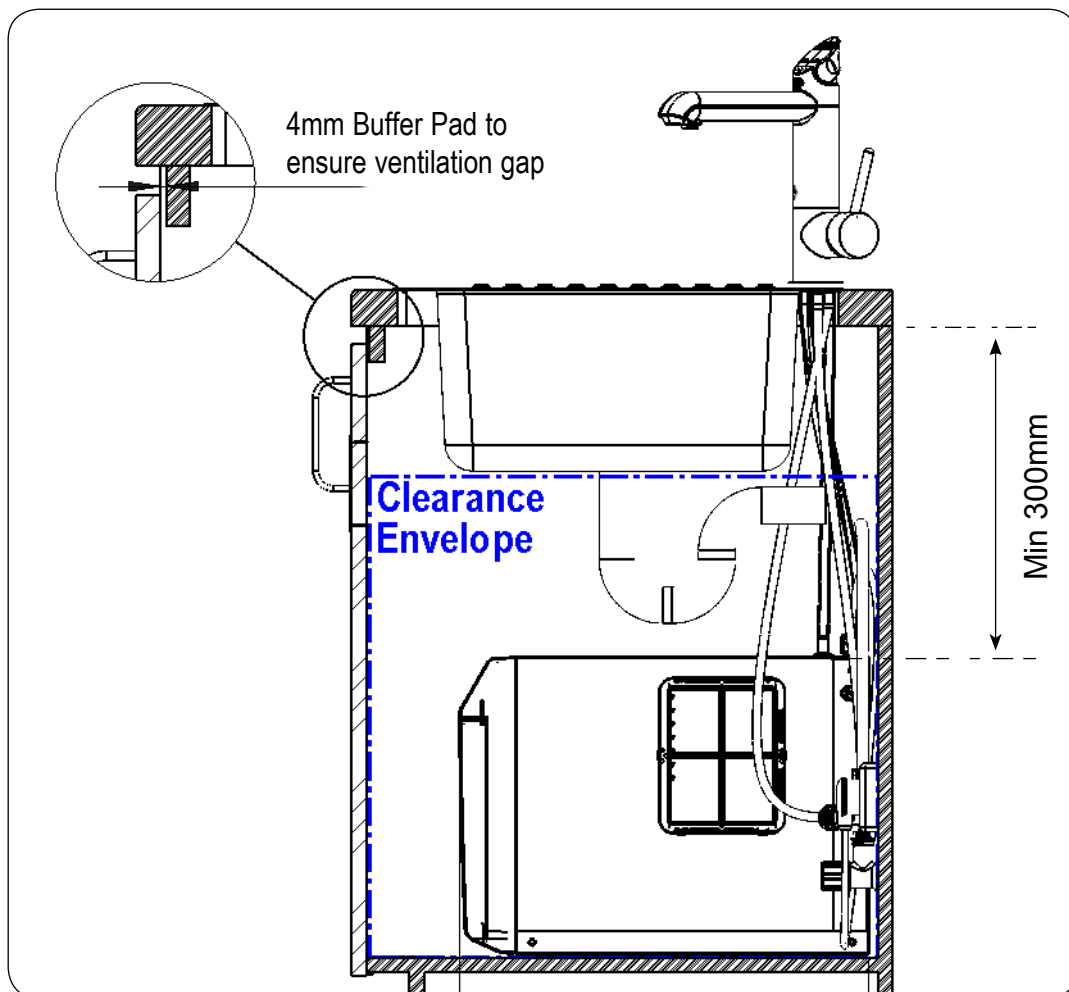
## Ventilation

### 2.1 Ventilation for All Models

Proper air circulation must be provided for all Boiling and Chilled models. The system will operate correctly only if the recommended air gaps are achieved during Installation. The minimum requirement is for a 50mm air gap either side and 300mm above of the undersink unit.

It is important that the 4mm door buffers (For all installations ) are fitted to the inside edge of the cupboard door to allow sufficient air circulation inside the cupboard. (See the diagram below).

**IMPORTANT: See section 4 for clearances.**



## Ventilation

When installing air flow ducts, the following tools will be required:

- Jigsaw and 12mm Drill
- Keyhole or Wall Board saw.

### 2.2 The following instructions are critical if there is insufficient cupboard air circulation.

If the air flow, using the silicon door buffers, is insufficient, it will be necessary to fit a standard HydroTap vent kit, which ensures heat dissipation through natural convection via installed vents.

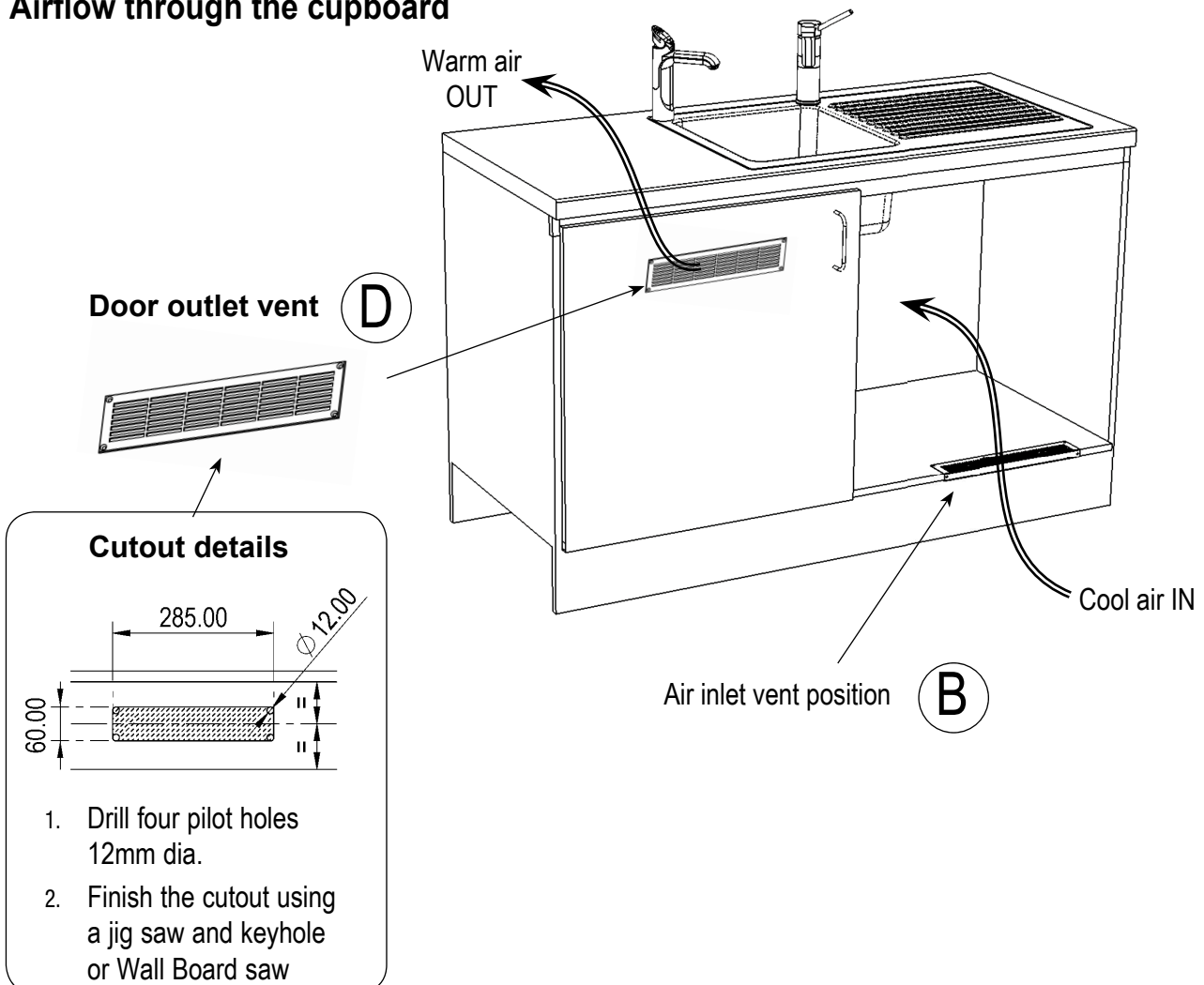
For high use applications, where the cupboard space temperature is near 35°C, or higher, the inlet vent (See Item B below) and silicon buffers, need to be fitted. If the airflow is still insufficient to maintain normal operating temperatures then the door outlet vent (See item D below) will need to be fitted.

Alternatively a fan kit may be installed, using the AUX din plug of the right hand side of the appliance (Contact your local service centre for availability).



**Note:** The vent kit has to be installed in a way that allows air to be drawn in from the bottom of the cupboard and expelled through the top of the cupboard. Therefore placement of the outlet vent should be towards the top of the door or on the side of the cupboard.

### Airflow through the cupboard

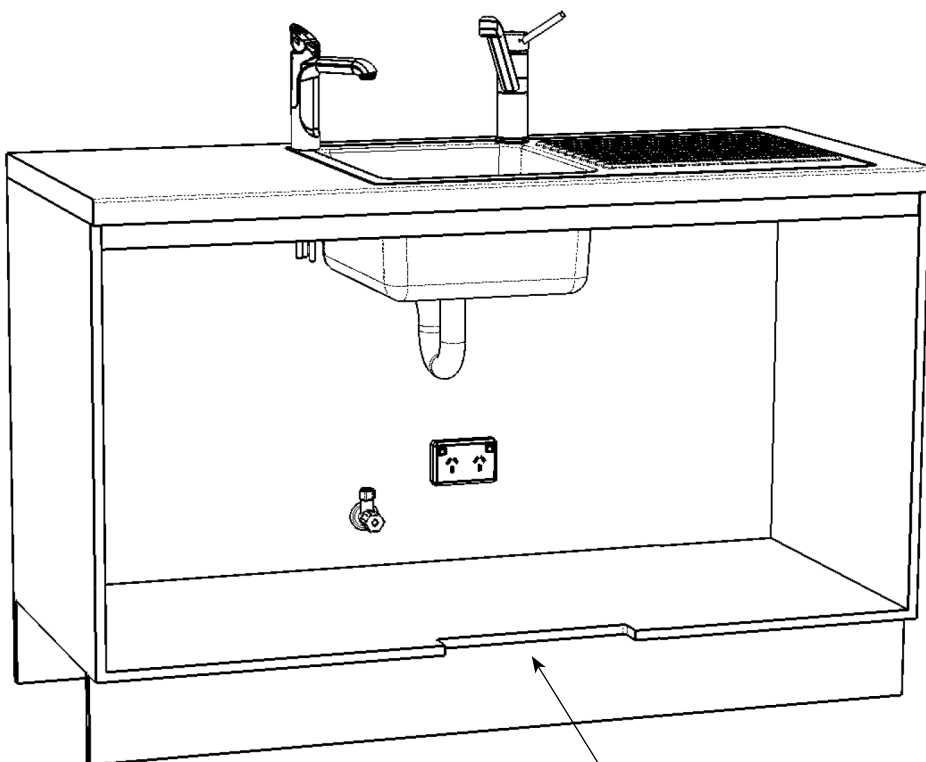


## Ventilation

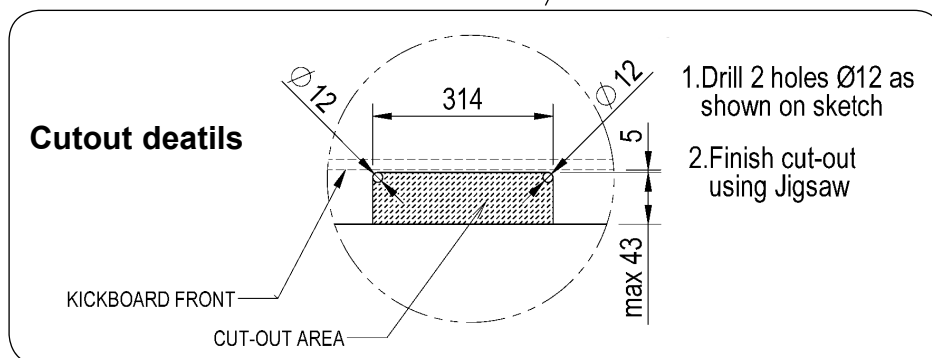
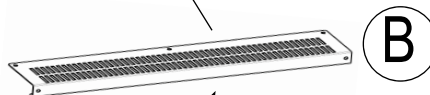
Typical Cut out procedure for



1. Mark out and cut the air inlet and door outlet holes as shown
2. Ensure the air inlet vent and air outlet vent are positioned at opposite ends of the same cupboard space.
3. Fit the inlet vent, as shown and secure with 5 screws
4. If required, fit the outlet vent, as shown in the hottest part (top) of the cupboard and secure with 4 screws



Air inlet vent

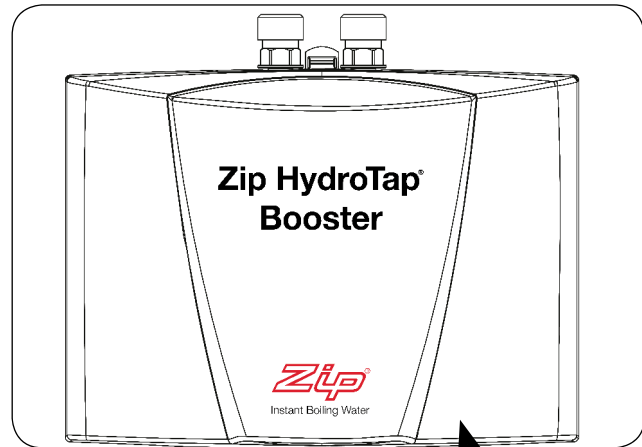


# Section 3

## Booster Heater

### 3.1 Product Description

The boost unit is a compact electronically controlled auxiliary water heater. It is intended to provide pre heating of water before it enters the Zip HydroTap G4 boiling tank. The Booster is supplied as standard equipment with all 4-In-1 & BCHA-AV models. However, it may be later installed, as an accessory to increase boiling water delivery.



**Note1:** water connection

:Blue marking - water in

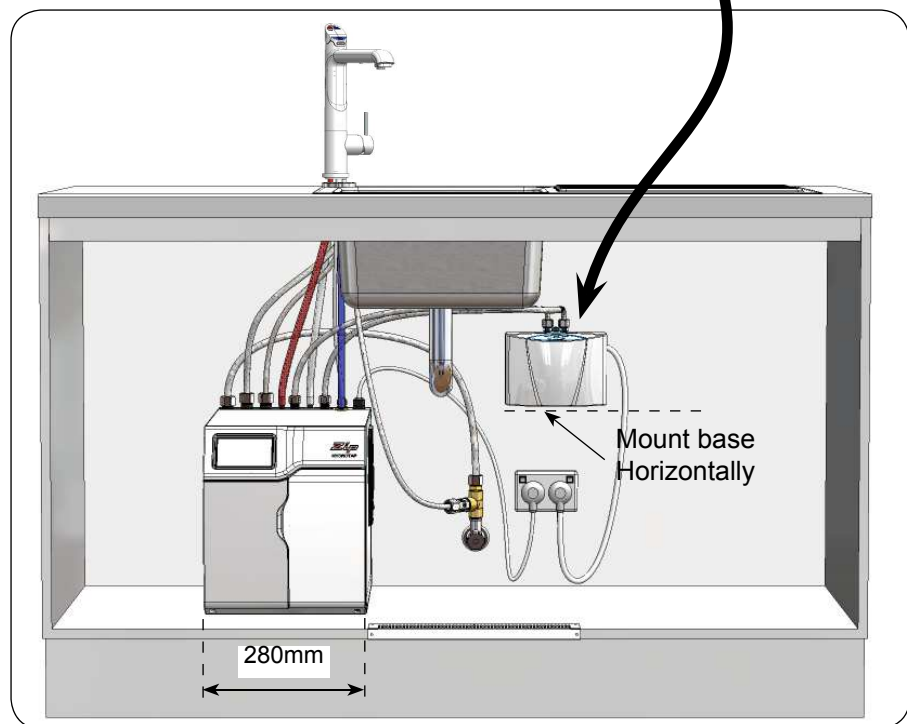
:Red marking - water out.

The braided hoses cannot be lengthened.

**Note2:** The electrical cable length is 1.0 metre.

**Note3:** Position the Booster within reach of the fixed hose lengths, keeping the Booster as close as possible to the undersink unit inlet/ outlet fittings.

**Note4:** Ensure the Booster heater is mounted in an upright position (as shown) with a horizontal base



### Booster Specifications:

	Rating	Unit
Nominal Power Rating	2.2	kW
Nominal Current	10	A
Electric Supply	50Hz AC	230
Elect flex and plug (black) - 1 meter length (with 90° Australian plug)	10	A
Fixed Flow Rate	1.2	L/min
Minimum water pressure	200	kPa

## Booster Installation


### 3.2 Installation Procedure

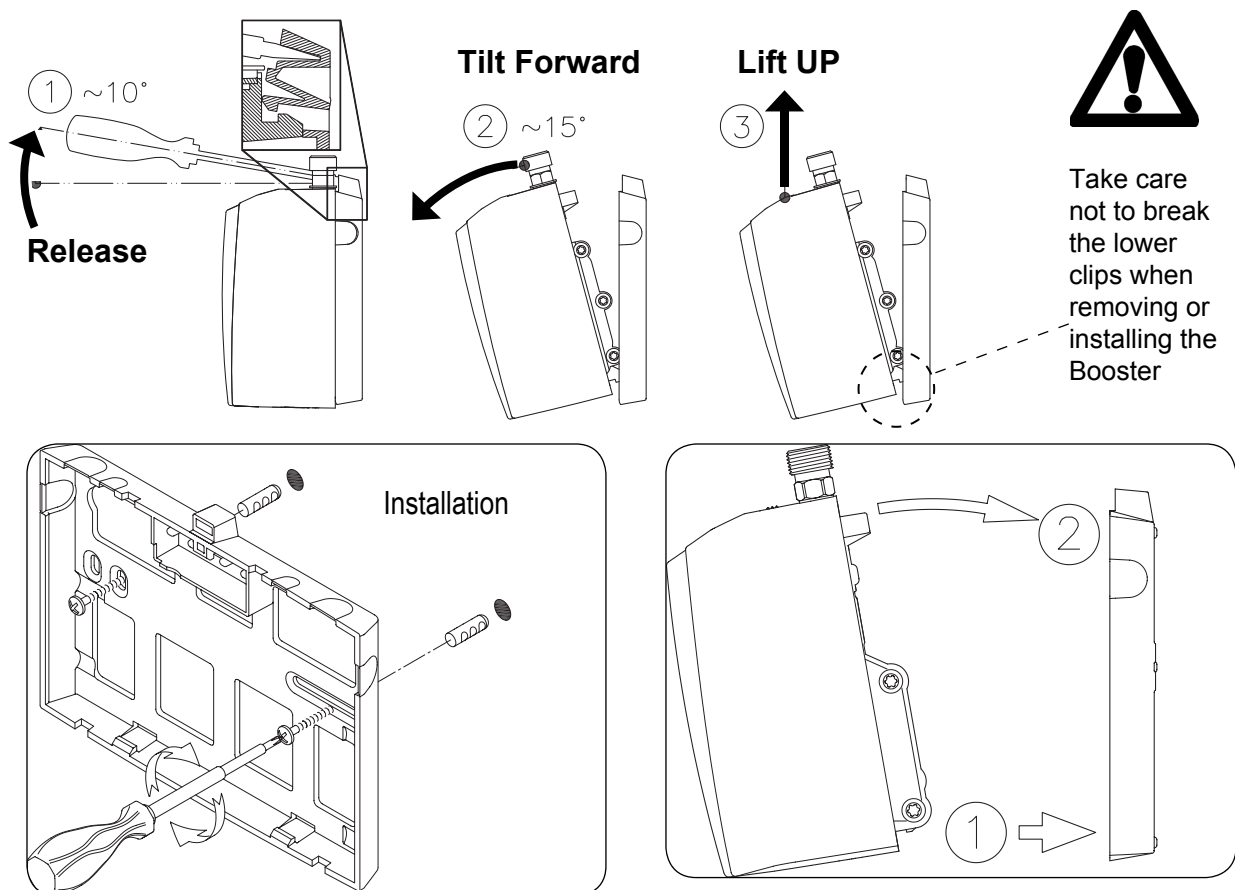
#### Site requirements

- Appliance must only be installed in a frost-free area. Never expose appliance to frost.
- The Appliance is designed for wall mounted Installation and must to be installed with water connectors facing upwards.
- The appliance complies with protection class IP 25.
- The 400mm braided hoses supplied with the unit cannot be lengthened.
- The 90° elbow hose ends, should be fitted to the inlet and outlet connections on top of the Booster.
- The hot water outlet hose must be thermally insulated with the insulation provided.


### 3.3 To Remove / Install the appliance

1. Insert a flat head screwdriver all the way into the lock.
2. Gently angle the screwdriver upwards by approximately 10° as shown in the image below.
3. Pull the appliance forwards by approximately 15° as shown.
4. Carefully pull the appliance upwards to complete the removal process. Taking care not to break the lower clips
5. To install; Place the appliance on the wall bracket and snap into position (See installation below).

 **NOTE:** Remove the backing plate for wall mounting



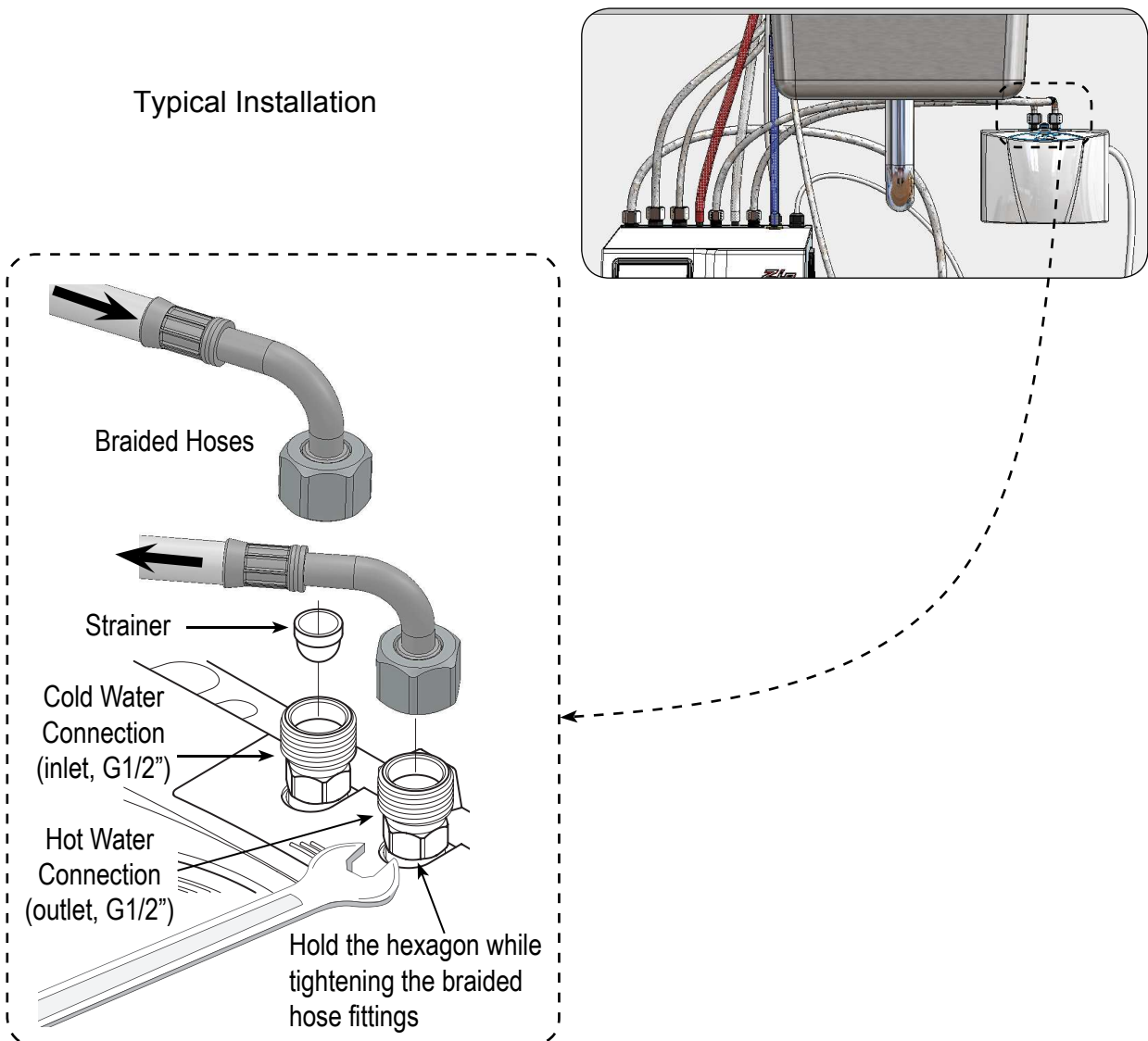
## Booster System

-  **NOTE1:** This appliance is intended for use with the Zip HydroTap under sink unit.
- NOTE2:** Water connections must be pointing vertically upwards.
- NOTE3:** The booster unit should be installed as close as possible to the Zip HydroTap Unit as the 400mm connection hoses cannot be lengthened.

### 3.4 Braided hose connections

1. The cold water inlet (blue) and hot water outlet (red) are marked on the rating plate. Connect the braided hoses from the 'Bypass Out' fitting on the HydroTap, to the water inlet of the booster unit (Marked Blue) and from the outlet of the booster unit (Marked Red) to the 'Bypass IN' fitting on the HydroTap unit. Avoid exerting any mechanical pressure on the appliance. This can be achieved by applying a spanner on the flats of the inlet and outlet connections when tightening the braided hose connectors. Do not overtighten ! Tighten the braided hoses by hand, then turn an additional 90° - 180° with a spanner
2. Once the water connections have been made, check for any leaks and rectify as necessary.

Typical Installation



# Section 4

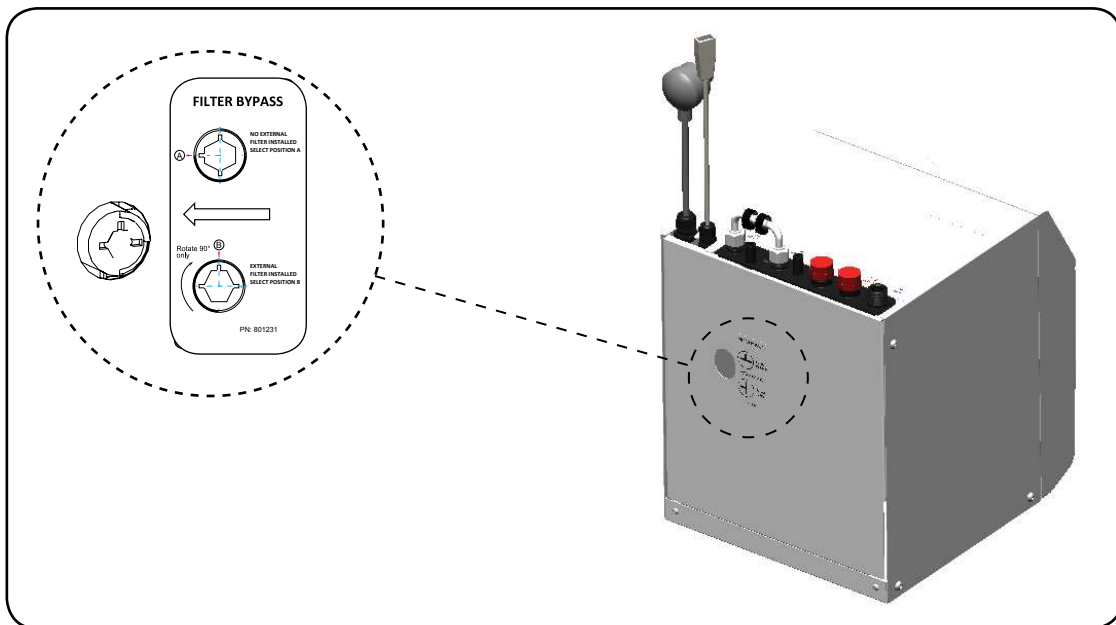
## Undersink Unit Installation

**Note:** Before you install a unit, determine whether a water softener or an external filter is required.



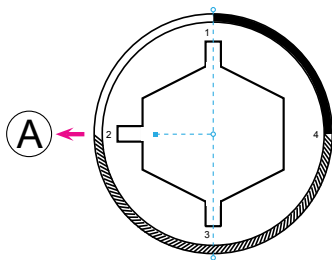
### 4.1 External Bypass Valve

The diverter bypass valve allows the user to choose to have the boiling water filtered either by the internal or by an optional external filter. This diverter valve is located at the rear panel of the Zip HydroTap undersink unit on the filter door side, see the image below.

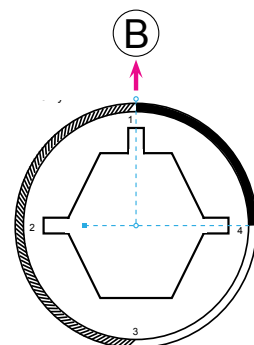


Check the table below to determine which filter bypass position you need for your product.

If no external filter is installed, select position A



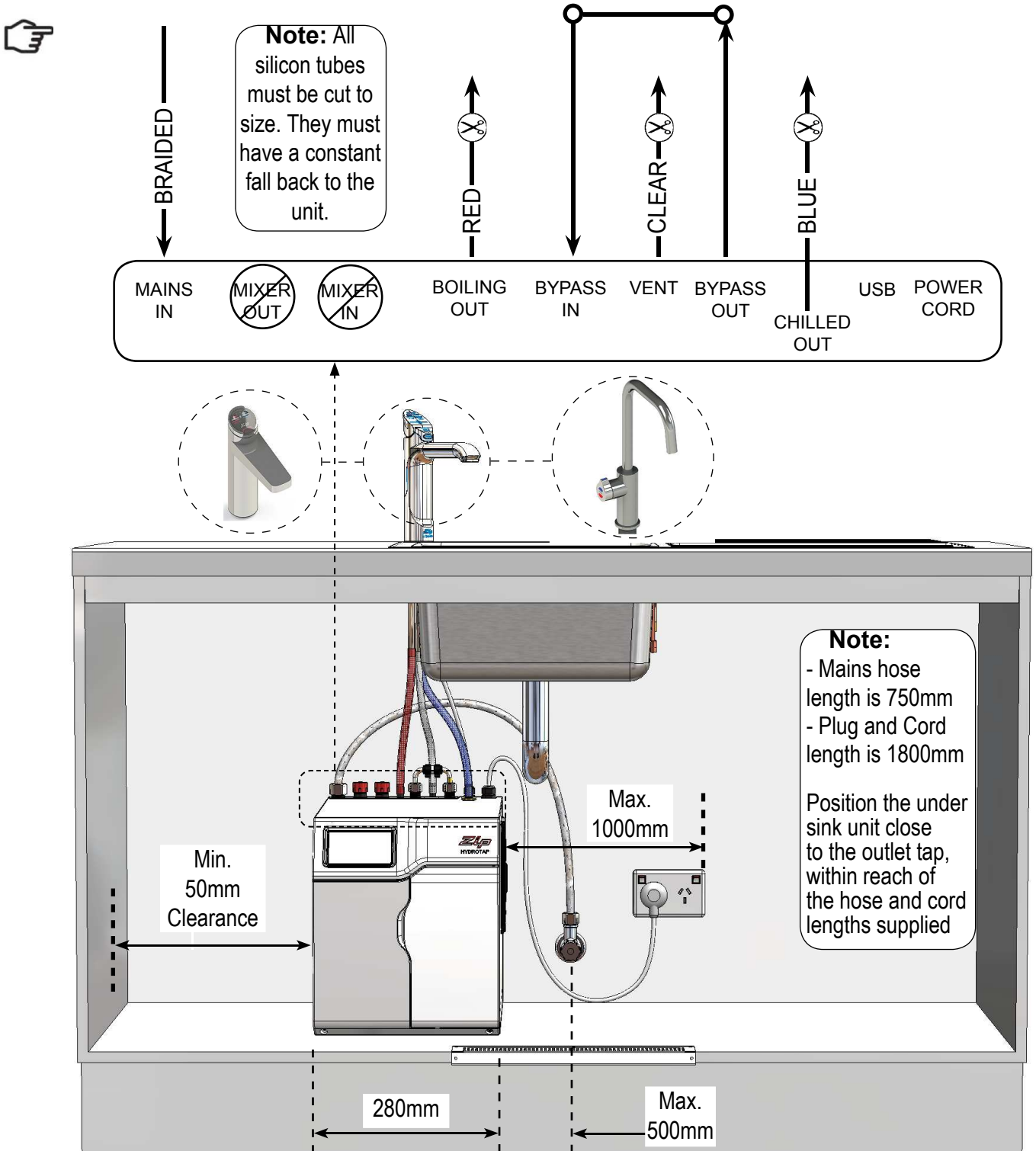
If an external filter is installed, select position B



### 4.2 Hose and tube fitting. (Do not over tighten)

- Remove all caps from the top of the undersink unit
- Install the mains water braided hoses to the undersink unit before locating the unit in place.

## 4.3 Model: Boiling Chilled

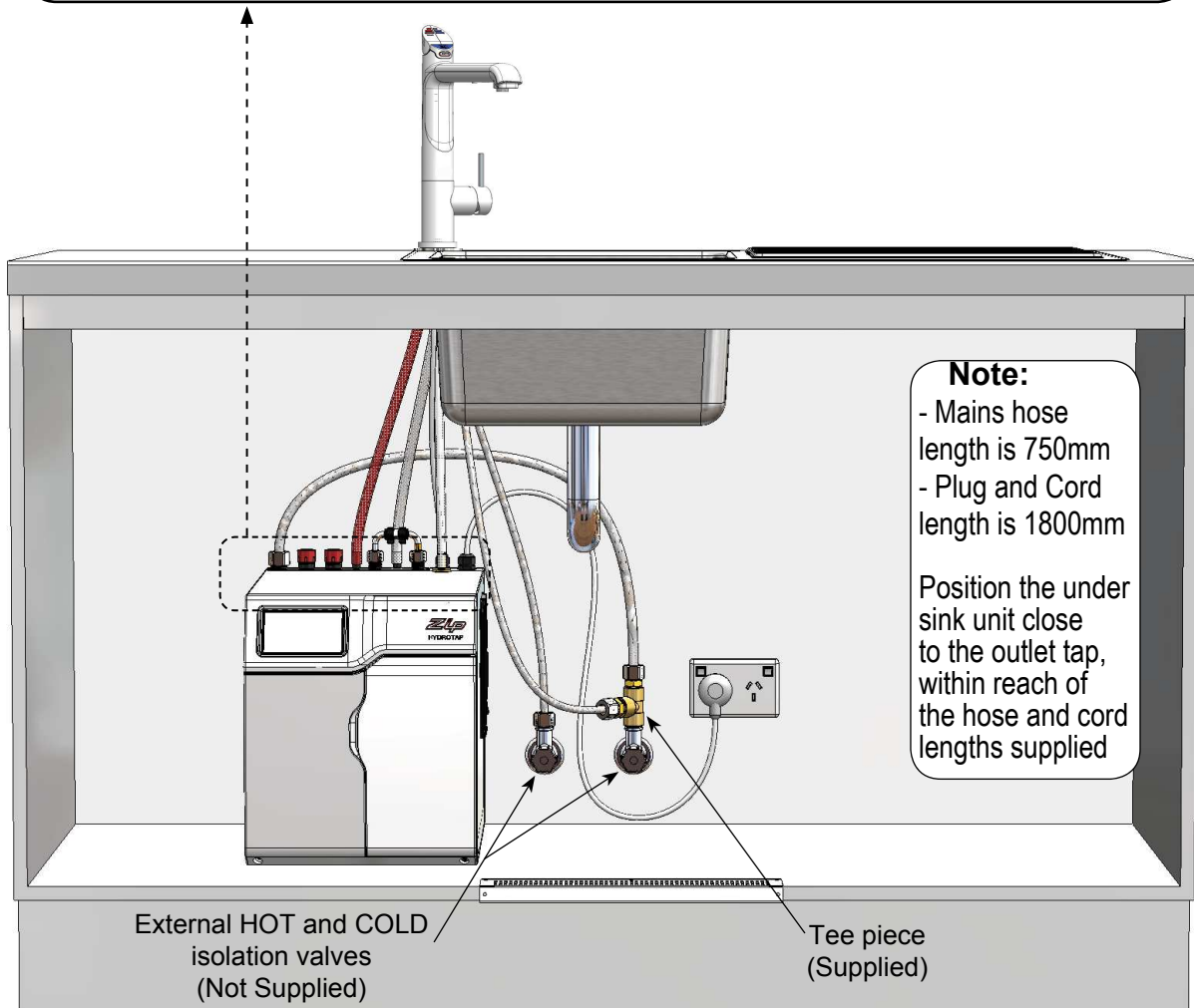
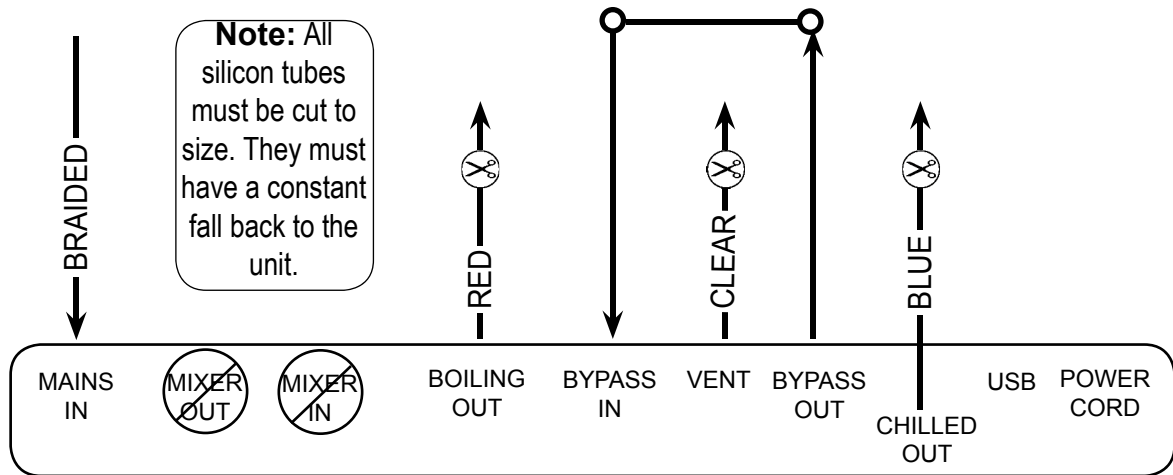


**Note:** The tube lengths are matched to the pumps performance and therefore CANNOT be lengthened

⊘ : Not required for standard BC HydroTap models.



## 4.4 Model: All-In-One Mains Pressure

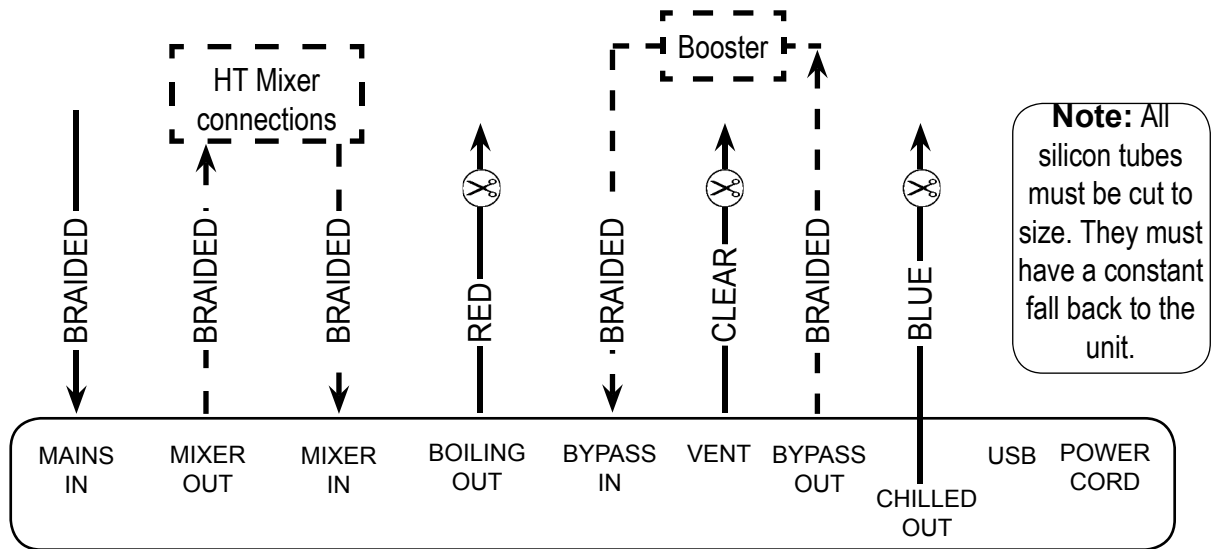


**Note:** The tube lengths are matched to the pumps performance and therefore CANNOT be lengthened

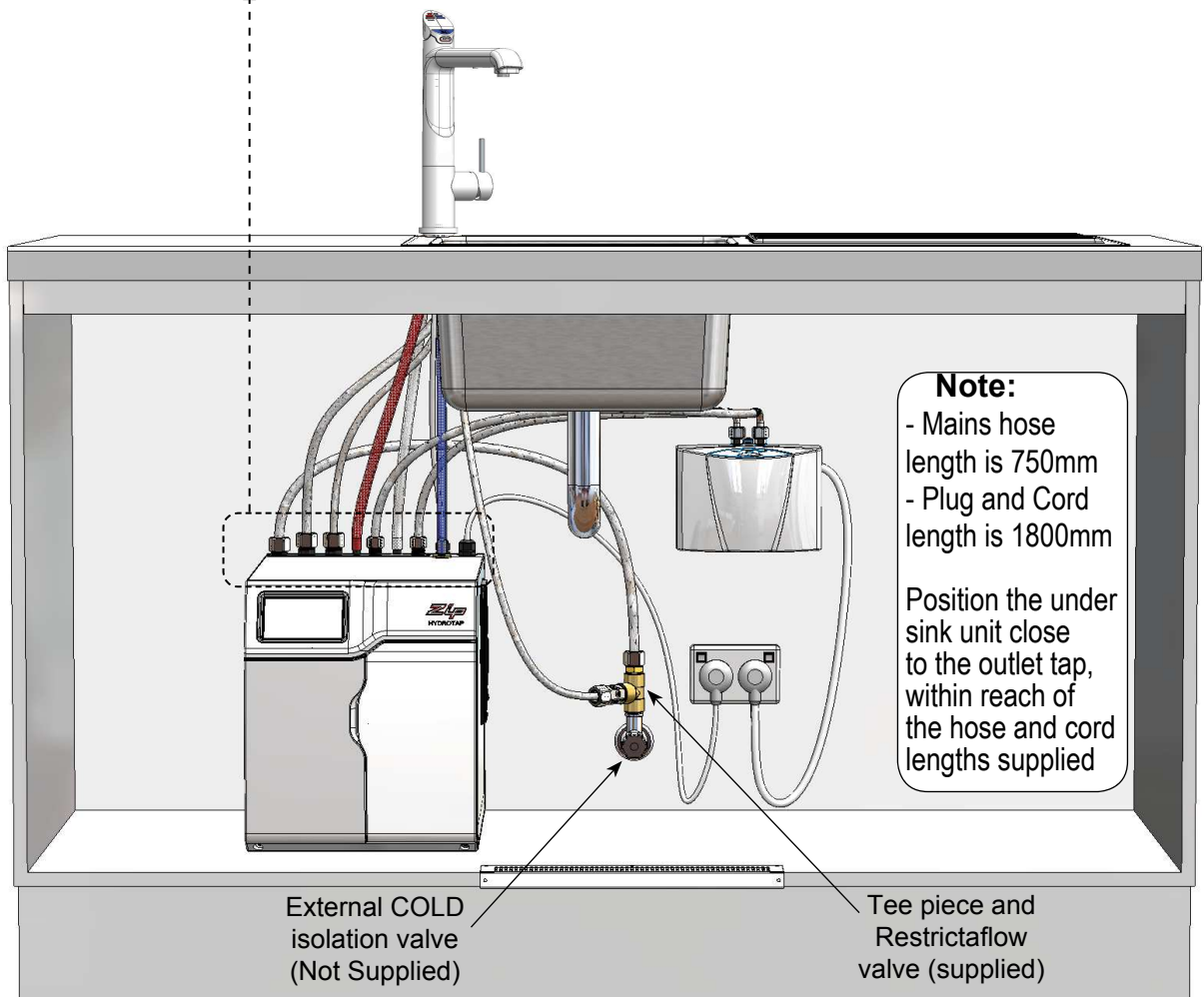
: Not required for AIO mains pressure HydroTap.

# Installation Instructions

## 4.5 Model: All-In-One Vented



**Note:** All silicon tubes must be cut to size. They must have a constant fall back to the unit.



**Note:**

- Mains hose length is 750mm
- Plug and Cord length is 1800mm

Position the under sink unit close to the outlet tap, within reach of the hose and cord lengths supplied



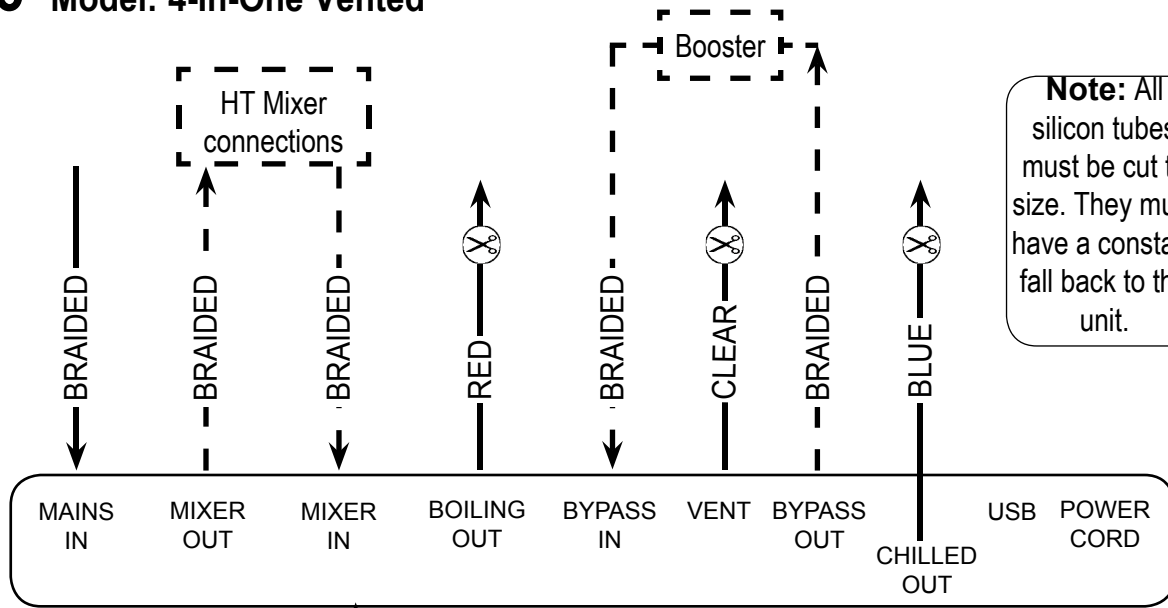
**Note:** to activate the filter, flush at least 10L of water through the filter before connecting to a softener or to a Booster heater.

**Note:** The tube lengths are matched to the pumps performance and therefore CANNOT be lengthened

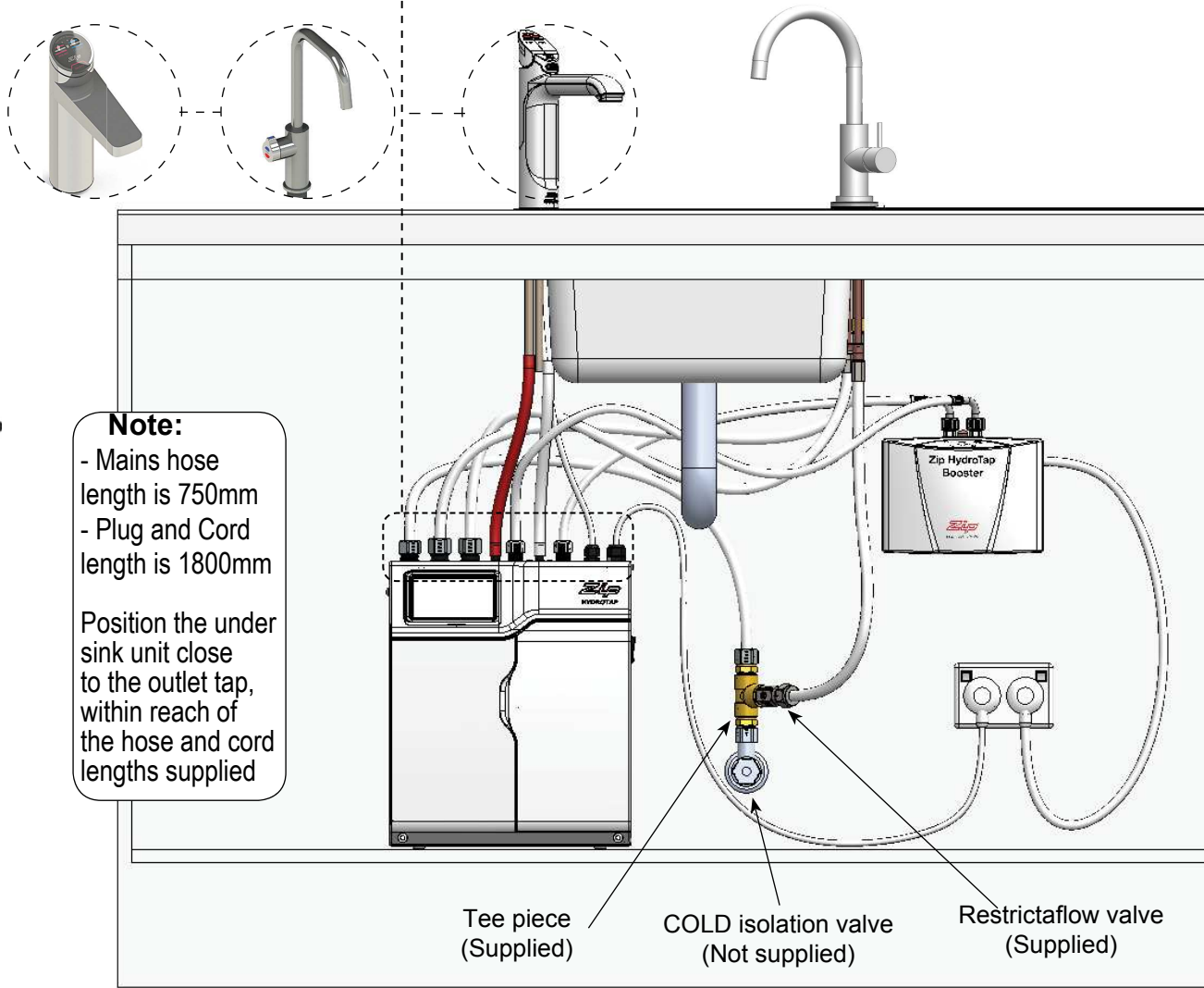


# Installation Instructions

## 4.6 Model: 4-In-One Vented



**Note:** All silicon tubes must be cut to size. They must have a constant fall back to the unit.



**Note:**

- Mains hose length is 750mm
- Plug and Cord length is 1800mm

Position the under sink unit close to the outlet tap, within reach of the hose and cord lengths supplied

**Note:** The tube lengths are matched to the pumps performance and therefore CANNOT be lengthened



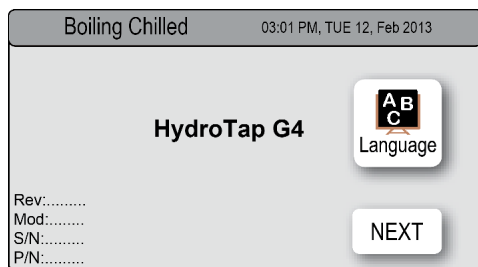
# Section 5

## Commissioning

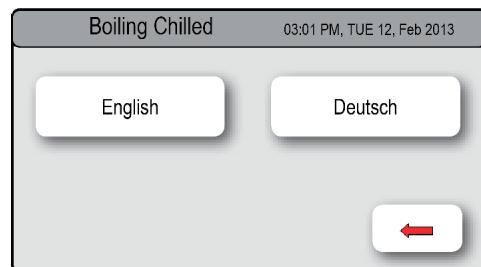
- Turn ON the water and check for any leaks.
- Turn the power ON at the GPO and at the side of the undersink unit
- If fitted, ensure the Booster is turned OFF. (The Booster is commissioned, later, at section 5.4)
- Familiarise yourself with the operation of the Tap, in preparation for use (See User Guide)
- Follow the Installation instructions below (and review Section C of the User Guide).
- After commissioning, the system may be customised by selecting further options in Section G - Settings, within the User Guide.

### 5.1 - Select the Language

Initial Commissioning screen

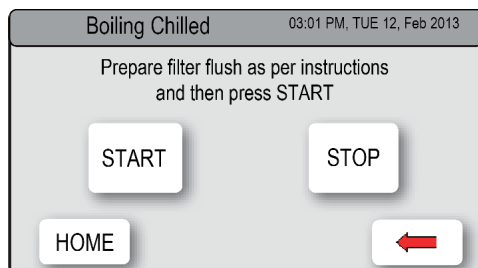
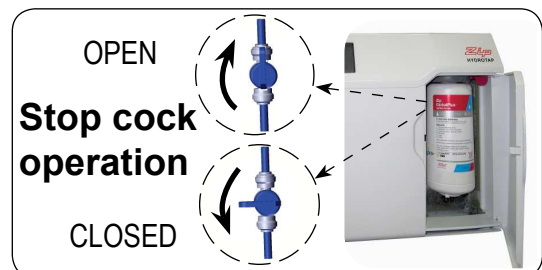


Language selection screen



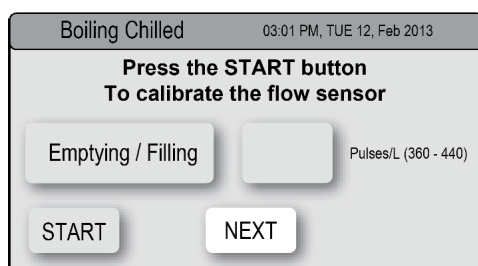
### 5.2 - Filter Flush

Have a 10L bucket or similar container (not supplied) at the ready to hold a quantity of water that will be ejected while the Filter Flush Mode is in operation. Open the filter access door on the front of the HydroTap and the filter cartridge will be exposed. Located to the rear RHS of the cartridge is a flush line, approx 600mm long and the flush line stop cock. Place the valve end of the flush line into the 10L bucket or container (not supplied).



1. Turn the stop cock ON
2. Press [Start] [Stop] buttons to start and stop the filter flush.
3. Allow at least 10 litres of water to flush through the filter.
4. Once the filter flush is finished, Turn the stop cock OFF then press [Stop] to end filter flush mode.
5. Press [Next] and the View screen will show the Flow calibration mode.
6. Press the [Start] button and the tank will first empty then fill. Upon completion the actual pulse will be displayed.
7. Press [Next] for the Boiling Calibration screen.

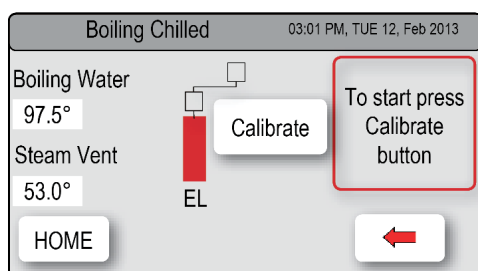
### 5.3 - Flow Calibration



**NOTE:** For any subsequent filter changes or any operational procedures, please refer to the HydroTap user guide, located inside the filter housing access door.

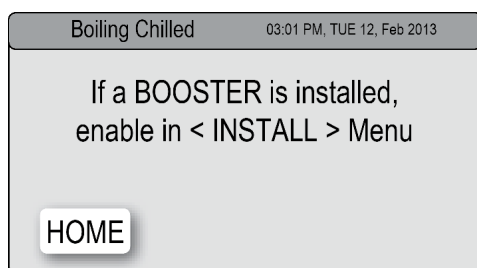
## Commissioning

### 5.4 - Boiling Calibration



- Press the calibration button and the system will commence the Boiling calibration procedure. This will take approx 5-6 minutes.

### 5.5 - Booster



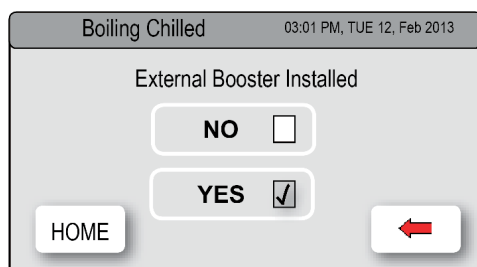
- Upon completion, a Booster reminder screen will appear and allow you to return home by pressing the [Home] button.
- Check the Date and Time settings (See Note below)



**NOTE:** Failing to make the correct selection for the “Booster”, will affect product performance.

**NOTE:** Depending on your location you may need to re-set the internal clock. See section G of the user guide to check and if necessary, reset the Date and Time for your time zone.

#### To enabled when a Booster unit is installed.



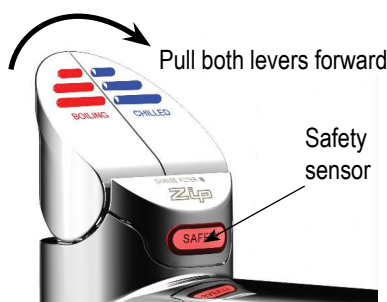
HydroTap Booster Screen

1. Press the [MENU] button for main menu.
2. Press the [Install] button.
3. Press the [Booster] button.
4. In the next screen, press YES to enable the Booster.
5. Turn the Booster ON
6. Water must be run through the Booster for a min of 30 seconds, before the heater will activate.
7. Dispense boiling water for 30secs and check the Booster outlet hose is warm when the boiling water tank is replenishing.

#### Safety Sensor Calibration (Lever taps)

### 5.6 - Sensor

Light intensity varies from site to site, therefore it is recommended that a re-calibration be performed at the time of the installation. All direct natural sun light must be shaded from the HydroTap, during the calibration. This can be achieved by closing any nearby curtains, blinds, or by shielding the HydroTap with a dark cloth.



1. With the unit in Normal operating mode and with the safety enabled
2. Turn the power OFF
3. Pull both tap levers to the forward position
4. Turn ON the power
5. The unit will calibrate the safety switch
6. Return the levers to the neutral position.
7. To check the calibration, dispense Boiling water, in normal light conditions with the safety enabled.

## Trouble Shooting

<b>System Fault Message</b>	<b>Possible Cause</b>	<b>Solutions</b>
Power board fault	Electrical disruption	Check power supply and all fuses
Interface fault	Internal fault	Call Zip Service
Level board fault	Internal fault	Call Zip Service
Condenser screen blocked	Blocked Air filter	Remove blockage / Clean filter / check user guide
Water leak, Isolate mains	Water leak	Turn off mains water supply / Call for service
Compressor over-run	Compressor too Hot	Check ventilation
Water supply failed	No water	Check water supply is turned ON
Hot sensor Open	Internal fault	Call Zip Service
Hot sensor Closed	Internal fault	Call Zip Service
Cold sensor Open	Internal fault	Call Zip Service
Cold sensor Closed	Internal fault	Call Zip Service
Flood sensor Open	Internal fault	Call Zip Service
Condenser sensor Closed	Internal fault	Check Ventilation / Call Zip Service
Condenser sensor Open	Internal fault	Check ventilation / Call Zip service
Heater fuse / driver fault	Internal fault	Call Zip Service
Heater driver fault	No hot water	Call Zip Service
Compressor driver fault	No chilled water	Call Zip Service
Hot sensor degraded	Internal fault	Call Zip Service
Condenser overtemp.	Blocked air filter	Remove blockage / Clean filter / check user guide
A DC Pump is faulty	Internal fault	Call Zip Service
Steam is too cool	Internal fault	Call Zip Service
Steam sensor Open	Internal fault	Call Zip Service
Steam sensor Closed	Internal fault	Call Zip Service
Over Steamed	Internal fault	Call Zip Service
Hot tank overfilled	Internal fault	Call Zip Service
Comp Fuse/Driver Fault	Internal fault	Call Zip Service
Hot tank under filled	Low water pressure	Check water supply
Boil dry protection	Safety activated	Turn OFF / On power to reset
Flash Mem corrupted	Internal fault	Call Zip Service
Flow Sensor Fault	Internal fault	Call Zip Service

Call an electrician, a plumber, or Zip for a free call in Australia on 1800-638-633 for assistance, service, spare parts or enquiries.

## End of Life Disposal

In order to help preserve our environment we ask that you dispose of this product correctly. Please contact your local city council for collection centre details.

## Contact Details

### Head Office

Zip Heaters (Aust) Pty. Ltd.  
ABN: 46 000 578 727  
67 Allingham Street  
Condell Park NSW 2200  
Postal: Locked Bag 80  
Bankstown 1885 Australia

Website: [www.zipindustries.com](http://www.zipindustries.com)  
Facsimile: (02) 9796 3858  
Telephone: (02) 9796 3100  
Free Call: 1 800 638 633

As Zip policy is one of continuous product improvement, changes to specifications may be made without prior notice. Images in this booklet have been modified and may not be true representations of the finished goods.

The standard cup referred to in this publication is 167 ml (6 fl oz).

The standard glass is 200 ml (7 fl oz).

The terms "Zip" and "HydroTap" are registered trade marks of Zip Heaters (Aust) Pty Ltd.

Zip products described in this publication are manufactured under one or more of the following patents: AU675601, AU637412, AU635979, GB0422305, GB2065848, US4354049, US5103859, US5099825 and SA2006/08043. Other patents are in force and patent applications are pending.

