

## INSTALLATION AND OPERATIONS MANUAL

INCLUDES  
**R290**  
MODELS



## Refrigerated Bases & Pizza Prep Tables Refrigerators & Freezers

SCAN this code  
to download manual



Please fill in the following information for your NEW unit, carefully read the instructions in this manual and file it for future reference.

MODEL NO. \_\_\_\_\_

SERIAL NO. \_\_\_\_\_

PURCHASED FROM \_\_\_\_\_

INSTALL DATE \_\_\_\_\_

**1-800-523-7138**

**Continental Refrigerator**  
A Division of National Refrigeration  
& Air Conditioning Products, Inc.  
539 Dunksferry Road  
Bensalem, PA 19020-5908  
P 215-244-1400  
F 215-244-9579  
[www.continentalrefrigerator.com](http://www.continentalrefrigerator.com)





# Continental<sup>®</sup>

## Refrigerator

**Some models utilize R-290 refrigerant, which is flammable.**  
**Refer to data tag to see what refrigerant is used on your product of choice.**

REFER HERE FOR  
 REFRIGERANT  
 TYPE. IF R-290,  
 SEE BELOW.

| Continental Refrigerator  |       |   |             |   |     |
|---|-------|---|-------------|---|-----|
| 539 Dunksferry Road • Bensalem, PA 19020-5908   |       |   |             |   |     |
| 215-244-1400 • 800-523-7138 • FAX: 215-244-9579   |       |   |             |   |     |
| Division of National Refrigeration and Air Conditioning Products, Inc.                                |       |   |             |   |     |
| MODEL   |       |   | SERIAL      |   |     |
| POWER SUPPLY  | WIRES |   | VOLTS       | HZ.   | PH. |
|   | VOLTS | HERTZ   | PHASE       | AMPS.   |     |
| CABINET   |       |   |             |   |     |
| COND. UNIT  |       |   |             |   |     |
| DEFROST   |       |   |             |   |     |
| REFRIGERANT TYPE  |       |   | AMOUNT OZS. |   |     |
| DESIGN PRESSURE LIMIT   |       | PSI LOW SIDE  |             | PSI HIGH SIDE   |     |
| COMMERCIAL REFRIGERATOR FREEZER   |       |   |             |   |     |
| CONFORMS TO U.L. STANDARD 471   |       |   |             |   |     |
| <br>LISTED<br>53533 |       | IMPORTANT NOTICE: FOR WARRANTY PARTS AND SERVICE AUTHORIZATION<br>CALL THE SERVICE DEPARTMENT AT 1-800-523-7138 |             |  |     |

**WARNING:** Do not damage the refrigerant circuit. Do not store explosive substances, such as aerosol cans with flammable propellant, in this appliance. Component parts shall be replaced with like components and servicing shall be done by authorized service personnel to reduce the risk of possible ignition.

### FOR FLAMMABLE (R-290) REFRIGERANT ONLY:

**DANGER:** RISK OF FIRE OR EXPLOSION. FLAMMABLE REFRIGERANT USED. DO NOT USE MECHANICAL DEVICES TO DEFROST REFRIGERATOR. DO NOT PUNCTURE REFRIGERANT TUBING.

**DANGER:** RISK OF FIRE OR EXPLOSION. FLAMMABLE REFRIGERANT USED. TO BE REPAIRED ONLY BY TRAINED SERVICE PERSONNEL. DO NOT PUNCTURE REFRIGERANT TUBING.

**CAUTION:** RISK OF FIRE OR EXPLOSION. FLAMMABLE REFRIGERANT USED. CONSULT REPAIR MANUAL, OWNERS GUIDE BEFORE ATTEMPTING TO SERVICE THIS PRODUCT. ALL SAFETY PRECAUTIONS MUST BE FOLLOWED.

**CAUTION:** RISK OF FIRE OR EXPLOSION. DISPOSE OF PROPERLY IN ACCORDANCE WITH FEDERAL OR LOCAL REGULATIONS. FLAMMABLE REFRIGERANT USED.

**CAUTION:** RISK OF FIRE OR EXPLOSION DUE TO PUNCTURE OF REFRIGERANT TUBING; FOLLOW HANDLING INSTRUCTIONS CAREFULLY. FLAMMABLE REFRIGERANT USED.

# TABLE OF CONTENTS

|  | Page |
|--|------|
| <b>Receiving Your New Model</b> .....                            | 4    |
| <b>General Information and Important Operating Facts</b> .....   | 4    |
| <b>Uncrating Your New Model</b> .....                            | 4    |
| <b>Installation and Location</b> .....                           | 5    |
| Ventilation .....  | 5    |
| Floor Loads .....  | 5    |
| Installing Casters and Leveling .....                            | 6    |
| Installing Legs and Leveling .....                               | 6    |
| Condensate Removal .....   | 7    |
| Door Adjustment .....  | 7    |
| Hinge Tension Adjustment .....                                   | 7    |
| Removal and Replacement of Doors .....                           | 8    |
| Re-Hinging Doors .....   | 8    |
| Prep Top Pan Openings .....                                      | 9    |
| <b>Interior Accessories</b> .....                                | 9    |
| <b>Initial Cleaning Procedure</b> .....                          | 10   |
| <b>Start-Up Procedure</b> .....                                  | 10   |
| Electrical Connections .....                                     | 10   |
| Start-Up Checklist .....   | 11   |
| <b>Operation with Mechanical Thermostat</b> .....                | 11   |
| Thermometer .....  | 12   |
| Refrigeration System and Adjustment .....                        | 12   |
| Defrost System .....   | 12   |
| <b>Operation with Electronic Control In Grill</b> .....          | 14   |
| Electronic Control Display and Buttons .....                     | 14   |
| Initial Sequence of Operation .....                              | 14   |
| How to Calibrate the Electronic Control .....                    | 14   |
| How to Change the Set-Point .....                                | 14   |
| How to Switch Controller Off/On .....                            | 15   |
| Anti-Condensate Control (On) .....                               | 15   |
| How to Initiate a Manual Defrost .....                           | 15   |
| How to Change the Defrost Interval .....                         | 15   |
| High and Low Temperature Alarm .....                             | 15   |
| Electronic Control Error Codes .....                             | 15   |
| <b>Operation with Electronic Dial Control Behind Grill</b> ..... | 16   |
| Temperature Adjustment .....                                     | 16   |
| LED Indicators .....   | 16   |
| Probe Adjustment Values .....                                    | 16   |
| <b>Maintenance</b> .....   | 17   |
| Periodic Cleaning Procedure .....                                | 17   |
| General Preventative Maintenance .....                           | 17   |
| Care and Cleaning of Stainless Steel .....                       | 18   |
| <b>Parts and Service</b> .....                                   | 19   |
| Placing a Service Call .....                                     | 19   |
| Obtaining Replacement Parts Under Warranty .....                 | 19   |
| Obtaining Replacement Compressor Under Warranty .....            | 19   |
| End of Life Disposal of Refrigerated Equipment .....             | 19   |
| <b>Optional Accessories</b>                                      |      |
| Drawers: Removal and Adjustments .....                           | 20   |
| Installing Drawer Cage .....                                     | 20   |
| Installing Overshelf or Double Overshelf .....                   | 21   |
| Installing Front Breather Kit .....                              | 22   |
| Mounting Caster Support Plates .....                             | 22   |
| Installing Electric Condensate Heater .....                      | 23   |
| Dial Thermometer and Calibration .....                           | 23   |
| Digital Thermometer and Calibration .....                        | 24   |
| Installing Pan Slide Cage .....                                  | 24   |
| Remote Set-Up and Installation Guidelines .....                  | 25   |
| Fish File Base Models .....                                      | 26   |
| <b>Troubleshooting and Servicing Guide</b> .....                 | 27   |
| <b>Wiring Diagrams</b> .....                                     | 29   |
| <b>Limited Extended Protection Warranty</b> .....                | 34   |

## RECEIVING YOUR NEW MODEL

Congratulations on your purchase of Continental Refrigerator superior foodservice equipment! When your shipment arrives, thoroughly examine the packaging for any punctures, dents or signs of rough handling. It is in your best interest to partially remove or open the shipping container to examine the contents for any missing accessories or concealed damage which may have occurred during shipment. If the cabinet is damaged, it must be noted on the carrier's delivery slip or bill of lading and a Freight Claim must be filed with the shipping company. **FREIGHT DAMAGE IS NOT COVERED UNDER WARRANTY.**

## GENERAL INFORMATION AND IMPORTANT OPERATING FACTS

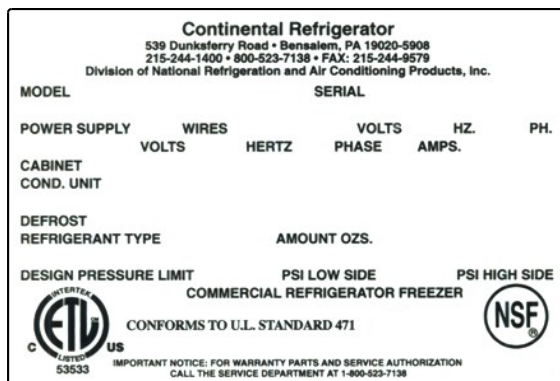
This manual has been compiled to aid in the installation, operation and maintenance of your equipment. Please read it and familiarize yourself with your equipment, its operation and available accessories, to enjoy optimum performance.

This equipment is prohibited from use in California with any refrigerants on the "List of Prohibited Substances" for that specific end-use, in accordance with California Code of Regulations, title 17, section 95374. This disclosure statement has been reviewed and approved by NRAC, Inc. and NRAC, Inc. attests, under penalty of perjury, that these statements are true and accurate.

### SERIAL DATA TAG

A serialized data tag is permanently attached to the inside right-hand wall of your unit. (see Figure 1). In addition to identifying the specific product, this label provides important information regarding electrical requirements and refrigeration charge, as well as agency listings and factory contacts.

FIGURE 1: Data Tag



**IMPORTANT NOTE:** The model and serial number should be noted on the front cover of this manual, in the spaces provided. If parts or service are ever needed for your unit, this information will be required to verify warranty status and to properly identify any parts that may be needed.

All cabinets must be given sufficient time to reach normal operating temperature before placing any food inside cabinet or pans (if equipped). For refrigerators, approximately 1 hour of operation is required to lower the cabinet and pan temperature to 40°F (4°C). During pull-down of open top models, pans should be in place and top lid should be kept closed. Freezers require approximately 2 hours of operation to lower the cabinet temperature to 0°F (-18°C) (see "Operation" section for further information).

Prior to factory shipping, all products are performance-run tested for a minimum of 12 hours providing a highly sophisticated temperature recording exclusive to each individual cabinet. This recording is supplied within this manual packet. A final evaluation, including analysis of cabinet performance, leak check, vibration, noise level and visual examination is made by a qualified quality control team to assure a superior product. The carrier signs to this effect when they accept the product for shipping. To insure the maximum in safety and sanitation, all models are listed under applicable Underwriters Laboratories and National Sanitation Foundation standards.



**RISK OF ELECTRICAL SHOCK**  
**KEEP ELECTRICAL COMPONENTS AND CONTROLS DRY**  
**- DO NOT SPRAY WITH WATER!**  
**FAILURE TO FOLLOW THESE INSTRUCTIONS CAN CAUSE A HAZARD & VOID FACTORY WARRANTY.**

## UNCRATING YOUR NEW MODEL

**IMPORTANT:** Your equipment should never be transported on legs/casters unless the cabinet bottom is properly supported. Consult the factory for more information.

The protective packaging should remain on your cabinet to avoid dents or scratches while transporting to the actual set-up location. All shelving, accessories and legs or casters are carefully packaged and secured inside your cabinet to prevent damage. After moving unit to its final location, remove all the staples from around the bottom of the crate using a pry bar. Slide the cardboard carton up and off the unit, being careful not to rub against the cabinet. Remove any accessories or boxes on the skid. Dispose of all packaging materials properly.

Four (4) bolts secure the cabinet to the wooden skid. The bolts are located at each end on the underside of the skid. In order to remove these bolts, tilt the cabinet backwards and place wooden blocks at each end in order to hold it in its tilted position. Using a 3/4" socket or open end wrench, remove the bolts and carefully slide the cabinet off of the skid. After skid removal, the cabinet should never be moved without dollies or rollers to avoid damage to the cabinet bottom or floor.

**IMPORTANT NOTE:** Do not under any circumstances, lay your new model on its front or sides. For a brief period of time, you may lay the cabinet on its back, but only when it's properly blocked so as not to crush the louvered venting panel and also to allow provision for your hands, in order to set it in its upright position without damaging the cabinet. **Do not plug in and operate model for at least three (3) hours after cabinet is set upright from being on its back as this can damage the compressor.**

## INSTALLATION AND LOCATION

Before moving the cabinet to its final point of installation, measure all doorways or passages to assure clearance. If additional clearance is needed, you can remove the cabinet doors (see "Removal of Doors and Door Adjustment") and lids (when equipped) (see "Removing Lid and Hood").

## VENTILATION

The final location site of your air cooled refrigerator or freezer must provide a sufficient quantity of cool, clean air. All refrigeration systems operate more efficiently and trouble-free with cool, dry air circulation. Avoid locations near heat and moisture gen-

erating equipment including ovens, fryers, dishwashers, steam kettles, etc. Do not install in direct sunlight (where temperatures may exceed 100°F) or in an unheated area (where temperatures may drop below 55°F).

Air supply to the condensing unit is critical. Restricting airflow places excessive heat load on the unit, adversely affecting its operation and may cause premature failure. The condenser coil must be kept clean and free from obstruction. Condenser air filters are not recommended, since they hinder airflow, especially if they are not replaced frequently. Contact our factory Service Department for more information.

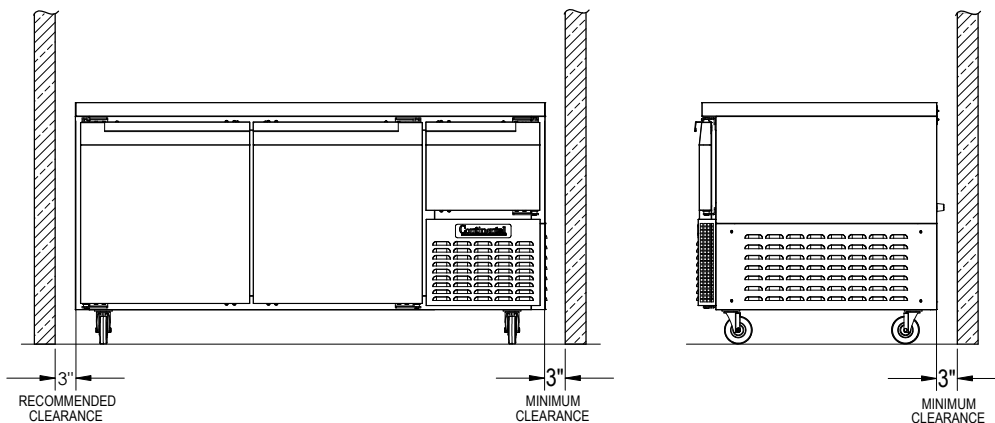
For optimum performance, all models should be installed on casters or legs (see "Installing Casters" or "Legs") with a minimum 3" on each side and back of cabinet (see Figure 2). This spacing will provide sufficient room for proper air circulation and clearance to access components for cleaning and maintenance. If any of these conditions cannot be met, the installer should provide special venting or air ducts, as required.

**IMPORTANT NOTE:** For maximum efficiency, your new cabinet must be located where an unrestricted air supply can circulate above and behind it. Never obstruct the face of the condenser or the grill area in the front of the cabinet and never place or store anything inside the cabinet machine compartment. These rules are essential for long life. **FAILURE TO FOLLOW THESE GUIDELINES MAY VOID YOUR WARRANTY.**

## FLOOR LOADS

The floor at the final location site must be level, free of vibration

**FIGURE 2: Minimum Clearance Dimensions for Optimum Conditions (Except for Undercounter & Front Breathing Models)**



and strong enough to support the total combined weights of your new model plus the maximum product load which might be placed into it. Keep in mind that all the weight is concentrated at the caster or leg locations. To estimate the possible product weight, assume that each cubic foot of storage space weighs approximately 35 pounds. Multiply 35 pounds by the amount of cubic feet in the cabinet to obtain the product load weight.

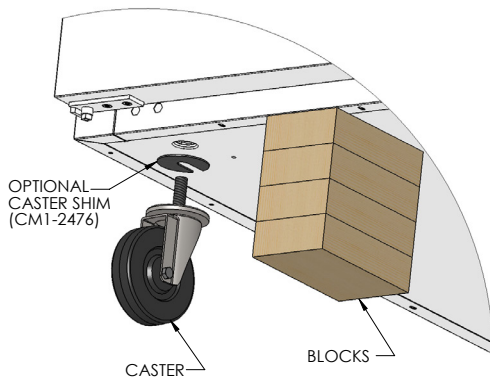
For example, a 20 cubic foot refrigerator can hold approximately 700 pounds of product (35 x 20). Assuming the cabinet itself weighs 300 pounds, the total combined weight of cabinet and product is approximately 1000 pounds. Therefore, the floor in this example must be able to support up to 1000 pounds.

## INSTALLING CASTERS AND LEVELING

If your new unit is supplied with swivel casters, they will be packed in the accessory box that came with your cabinet. Casters should be installed only when the cabinet is close to its final installation site. To install casters on your new model, place wooden blocks along the back, at each end. Tilt the cabinet back, using the wood blocks to help hold the cabinet in its tilted position. Locate the large threaded holes on the bottom of the cabinet and screw the threaded caster studs into the mounting holes, closest to the front of the unit. Repeat this procedure by tilting the cabinet in the opposite direction and installing the remaining casters. Make sure the casters are tightened extremely well (**see Figure 3 & 3A**). If the casters are not installed tightly, the cabinet will be unstable and may sway or rock, which can damage the cabinet.

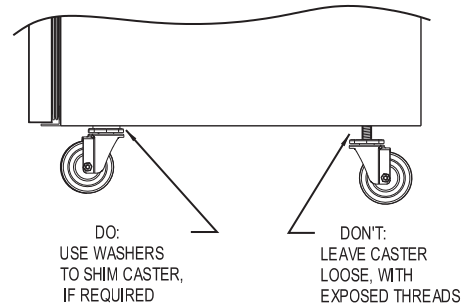
If the height of a caster needs to be raised, shims must be installed under the casters which need leveling. Extra large washers, available at most hardware or furniture stores, can be used to shim casters, or contact the factory for caster shims.

**FIGURE 3: Installing Casters**



**Do not attempt to level casters by unscrewing them from the cabinet and leaving them loose, as this will cause damage to the cabinet and leg hole threads, voiding all warranties.**

**FIGURE 3A: Casters Must be Tight to Cabinet Bottom**



**IMPORTANT NOTE:** It is extremely important that your cabinet is perfectly level for proper operation. If it is not level, the following adverse conditions may occur:

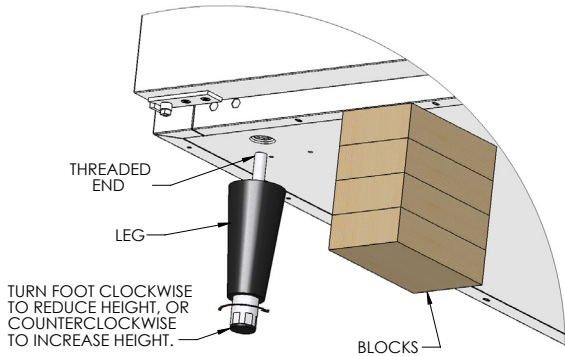
1. The door(s) will not be properly aligned and consequently will not provide a good seal.
2. Your unit may run excessively.
3. An excessive amount of ice will accumulate inside the cabinet, around the door opening(s) and on the finned evaporator coil. If allowed to continue, ice will eventually block the coil and the unit will fail. This can result in the loss of all food stored in the cabinet.
4. Defrost water will fail to drain properly and will overflow the evaporator coil drain pan and into the cabinet of both refrigerator and freezer models.

## INSTALLING LEGS AND LEVELING

If your new unit is supplied with adjustable legs, they will be packed in the accessory carton in the cabinet. Your cabinet will have either four (4) or (6) threaded mounting holes on the bottom of the cabinet (**see Figure 4**). In order to install the legs, carefully tip the cabinet back, adding four (4) 2" wood blocks underneath, and simply screw the threaded leg studs into the case bottom front leg holes. Repeat this procedure by tilting the cabinet in the opposite direction and install the remaining legs. Make sure the legs are tightened extremely well or the entire model will sway or rock with each opening or closing of the doors, possibly causing damage to the case bottom. This procedure should be performed close to the final installation site.

To assure your cabinet is level, all legs are equipped with bullet-type leveling bolts. These bolts can be turned by hand or by wrench, clockwise or counterclockwise to level the cabinet.

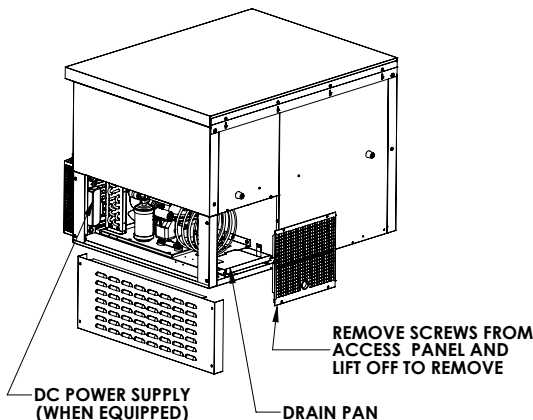
**FIGURE 4: Leg Installation**



## CONDENSATE REMOVAL

All models utilize a unique hot air condensate water evaporating system which is completely self-contained and no further assembly or maintenance is required (see Figure 5). In some adverse conditions such as high ambient temperature, high humidity, extremely heavy usage, frequent loading for prolonged periods of time, or heavy pan loading, the amount of condensate water generated could overflow the pan. If this occurs, the plastic drain tube from the cabinet can be diverted directly to a floor drain, bypassing the condensate pan. Alternatively, an optional electric condensate heater may be purchased as an accessory. An electric condensate heater is also supplied with all remote models. To install the electric heater, see “Installing Electric Condensate Heater” in the “Optional Accessories” section at the back of this manual.

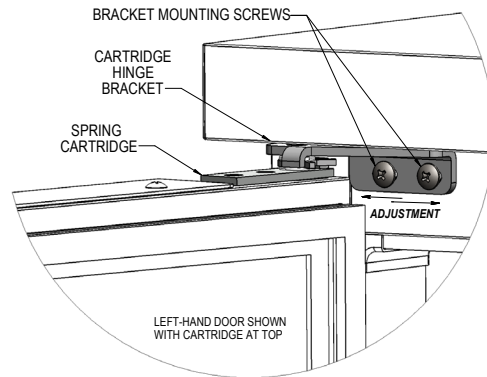
**FIGURE 5: CPA/CRA Components (Rear View)**



## DOOR ADJUSTMENT

All doors are aligned at the factory, however vibration during transit may cause them to shift and adjustment may be necessary. If a door requires realignment, carefully open the door (90°) and loosen, but do not remove the mounting screws securing both the top (see Figure 6) and bottom (see Figure 8) hinge brackets to the cabinet. Move the door to the desired position by hand or by gently tapping on the edge with a rubber mallet. Hold the door firmly in place and tighten all mounting screws securely, above and below the door. Check alignment and repeat adjustment if necessary.

**FIGURE 6: Hinge Adjustment**



## HINGE TENSION ADJUSTMENT

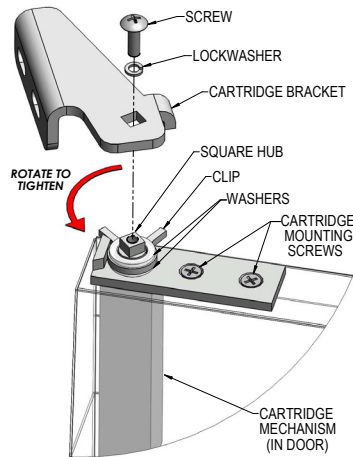
The self-closing doors on your unit have a spring-loaded hinge cartridge concealed in the door (see Figure 7) with a hold-open feature and a cushioned stop. When the door is fully opened (115°) the hinge should be tension free. When the door is moved between the open and closed position, the spring-loaded hinge will automatically rotate the door toward the closed position. For proper operation, self-closing doors must be installed with the spring-loaded hinge mechanism set to apply tension in the proper direction (see Figure 8).

To adjust spring tension, open the door fully (115°) so it stays in position when released. Remove the mounting screws securing the cartridge bracket to the cabinet (see Figure 6). The bracket should stay in position when released, but if it is moved or bumped, it may snap into the closed position.

**THE HINGE CARTRIDGE IS SPRING LOADED AND MAY SNAP BACK ON FINGERS WHEN BRACKET IS LOOSE. WEAR WORK GLOVES AND USE CAUTION WHEN REMOVING MOUNTING SCREWS!!**

Use a hinge cartridge bracket as a wrench by positioning it upside down with the square hole over the square hub on the spring mechanism (see Figure 7). Carefully turn the square hub on the cartridge in the direction shown to tighten the spring. The mechanism should snap to a neutral position. Remount the hinge as shown and repeat the procedure described above until the hinge snaps back when it is moved from the open-door position towards the closed-door position.

**FIGURE 7: Spring-Loaded Hinge Mounting**



**REMOVAL AND REPLACEMENT OF DOORS**

If you need to remove a door from your cabinet, first identify the location of the spring-loaded hinge cartridge (see Figure 8). Depending on the age of your cabinet, the cartridge is located either on the top or the bottom of the door.

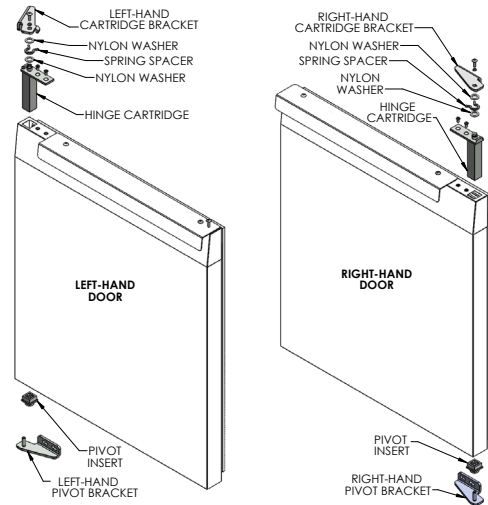
**CAUTION: THE HINGE CARTRIDGE IS SPRING LOADED AND THE BRACKET MAY SNAP TOWARDS THE DOOR!**

For doors with spring cartridge on the top: open the door fully (115°) and remove the mounting screws (see Figure 6) securing the hinge cartridge bracket to the cabinet above the door (the bracket should stay in the open position, but if it is moved it may snap closed). Pick the door straight up, being careful not to bump the cartridge bracket, and lift it off the pivot pin bracket below the door. To reinstall a door, reverse this procedure and follow the instructions above to set the hinge tension and adjust the door properly.

For doors with spring cartridge on the bottom: open the door fully (115°) and remove the mounting screws securing the

hinge cartridge bracket to the cabinet below the door. Lower the door down carefully, to avoid bumping the cartridge bracket, and slide it off the pivot pin bracket over the door. To reinstall, reverse this procedure and follow the instructions above to set the hinge tension and adjust the door properly.

**FIGURE 8: Door Hinge Components**



**RE-HINGING DOORS**

**IMPORTANT NOTE:** DOORS ARE FIELD REVERSIBLE, BUT DIFFERENT HINGE BRACKETS ARE REQUIRED. HAVE YOUR MODEL AND SERIAL NUMBER READY AND CONTACT THE FACTORY FOR THE PARTS NEEDED FOR YOUR UNIT.

Remove the door and hinge cartridge bracket from the cabinet, as described above (see Figure 7). Remove the pivot bracket, located at the opposite edge of the door (see Figure 8) by loosening the (2) mounting screws. Remove the hinge cartridge from the door by removing the (2) screws and sliding the cartridge out. Remove the plastic pivot insert from the opposite end of the door by carefully prying it out with a flat-blade screwdriver or putty knife. Remove the remaining “filler screws” from the face of the cabinet and reinstall them in the threaded holes where the brackets were originally mounted.

To re-assemble the reverse-hinged door, obtain the correct cartridge bracket and pivot bracket for the top and bottom of the “opposite-hand” door (see Figure 8 for parts identification). Follow the steps above, in reverse order.

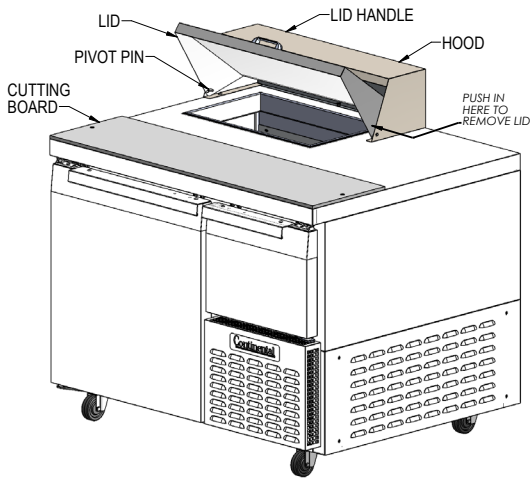


## PREP TOP PAN OPENINGS

Sandwich top models are provided with food pans and divider bars. All pans must be kept in place whenever your unit is operating and lids should be closed whenever possible for optimum performance. To remove the lid over the pans (see Figure 9), lift it 1/2 way up and carefully push in on one end at the bottom corner, so the pivot pin comes out of the mating hole in the hood. Swing the end of the lid forward, so it clears the end of the hood. Slide the entire lid sideways, so the pivot pin on the opposite end is free from the hood. If you have an insulated lid, to remove the liner and insulation, take out the screws along the back edge, let the back of the liner drop down and rotate it so the front edge of the liner disengages from the front of the lid. To remove the hood from the cabinet, take out the screws located inside each end and along the back edge.

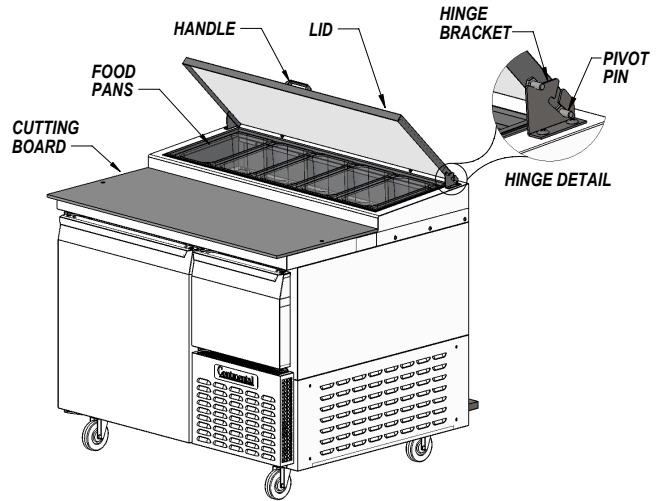
Pizza Prep Tables are provided with a flat lid to cover the pan rail. All pans must be in place when your unit is operating and lids should be closed whenever possible for optimum performance. To remove the lid covering the pans on Pizza Prep models (see Figure 9A) rotate it 1/2 way up and lift the lid forward and up, so the hinge pins disengage from the hinge bracket. If you need to disassemble an insulated lid, see instructions above.

**FIGURE 9: Sandwich Top Refrigerator Base Models**



**IMPORTANT NOTE:** The top opening on your sandwich top must be completely filled with pans at all times, even if some pans are empty, to maintain air flow for proper cabinet and pan temperature.

**FIGURE 9A: Pizza Prep Table Pan Rail**



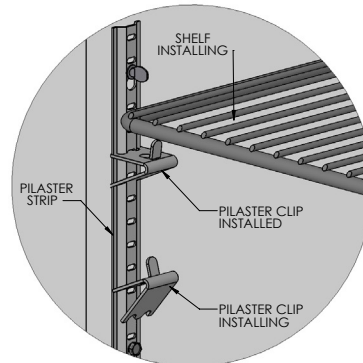
## INTERIOR ACCESSORIES

Your new unit is shipped with (1) shelf per section and (4) pilaster clips for each shelf.

### SHELVING INSTALLATION

Pilaster strips which support the shelving are secured to the cabinet walls with special pilaster screws which allow the strips to be readily removed for cleaning without the use of tools. Shelf clips are easily installed by inserting them into the pilasters at the desired shelf location and shelf installation is as simple as placing the shelf on the clips (see Figure 10).

**FIGURE 10: Standard Shelf Pilaster**



## INITIAL CLEANING PROCEDURE

Prior to start-up and before placing any product inside of your new model, the interior of the cabinet should be thoroughly cleaned. Remove the protective film (which is clear on some models) from all interior sides, bottom and other internal metal panels, by working the corner loose and slowly pulling the film back. Washing with a mild soap and warm water solution is recommended for cleaning the aluminum and stainless steel surfaces of your cabinet. This should be followed by cleaning with a baking soda solution (three (3) tablespoons of baking soda to each quart of warm water). Wipe down thoroughly with a damp cloth or sponge that has been soaked in clean water and wrung out thoroughly, and dry with a clean, soft cloth.

**IMPORTANT NOTE:** Never use harsh detergents, cleaners, scouring powders or chemicals when cleaning your model. Failure to dry the interior surfaces after cleaning may result in a streaking or staining of the metal.

Complete cleaning procedures and precautions are listed in the (“**Periodic Cleaning Procedure**” under “**Maintenance**”).

## START-UP PROCEDURE

### ELECTRICAL CONNECTIONS

To insure proper operation, your new model must be connected to an individual circuit that can supply the full voltage as stated on the cabinet serial data plate. For correct voltage, power draw, and wire accommodations, check the data on the serial data plate located on the inner right wall of your new model. Verify that this information exactly matches the electrical characteristics at the installation location. An electrical wiring diagram, located on the inside compressor compartment rear, next to the electrical console box, should also be consulted during connection. For reference, a copy of each electrical wiring diagram is located towards the back of this manual (see “**Wiring Diagrams**” section).

**IMPORTANT NOTE:** The condensing unit supplied with all self-contained models is designed to operate within a range of +/-10% of the voltage indicated on the cabinet serial data plate. Full voltage of the correct rating, on an isolated line, not affected by the operation of other electrical appliances, must be available to the refrigeration unit at all times. Burnout of the compressor due to exceeding high or low voltage limits is easily detected and will void the factory warranty.

### GFI/GFCI RECEPTACLES

Ground-Fault Circuit Interrupter (GFCI or GFI) devices are not recommended for most commercial refrigerators and freezers, since nuisance trips may occur, typically due to moisture. This can cause temporary loss of power, which may result in high storage temperatures and potentially unsafe food product.

Building codes in some areas may require certain 115 volt receptacles to be protected by a GFI. If you need to connect your equipment to a protected circuit, a properly sized, commercial grade GFI circuit breaker should be used on a separate, isolated power supply. Or a qualified electrician may be able to hard wire your equipment, eliminating the need for a GFI device. Contact Continental’s Service Department before making any modifications to your cabinet, to avoid loss of warranty.

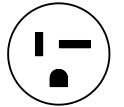
**NOTE: GFI RECEPTACLES ARE NOT RECOMMENDED, PRODUCT LOSS OR SERVICE PROBLEMS RESULTING FROM NUISANCE TRIPS, CONNECTION TO A DEFECTIVE OR IMPROPER POWER SUPPLY, AND UNAUTHORIZED MODIFICATIONS TO YOUR EQUIPMENT CAN CAUSE A HAZARD AND WILL VOID FACTORY WARRANTY.**

### 115 VOLT, 60 HZ, 1 PHASE CONNECTION

All 115 volt models are provided with a factory installed, UL approved 15-amp power cord and NEMA 5-15P plug, or a 20-amp power cord and NEMA 5-20P plug. To insure proper operation, this equipment must be plugged into a NEMA compatible, grounded receptacle that can supply the full voltage and amperage stated on the serial plate (see **Figure 1**).



NEMA 5-15P



NEMA 5-20P

Some 115 volt models (including CPA118) require 20 amp supply power and must be plugged into a NEMA 5-20R receptacle.

**IMPORTANT NOTE: A SEPARATE, ISOLATED, PROPERLY SIZED POWER SUPPLY MUST BE PROVIDED. GFCI DEVICES AND/OR EXTENSION CORDS SHOULD NOT BE USED. PRODUCT LOSS, AS WELL AS PROBLEMS RESULTING FROM NUISANCE TRIPS OR HIGH/LOW VOLTAGE, ARE NOT COVERED UNDER WARRANTY.**

**CAUTION: IF UNIT IS UNPLUGGED OR DISCONNECTED FOR ANY REASON, ALLOW 5-6 MINUTES BEFORE TURNING THE UNIT BACK ON TO ALLOW THE SYSTEM TO EQUALIZE. DISREGARDING THIS PROCEDURE COULD CAUSE AN OVERLOAD AND PREVENT THE UNIT FROM OPERATING.**

**SPECIAL VOLTAGE CONNECTIONS**

When models are ordered from the factory with special, optional voltages, connections should be made as required on the electrical wiring diagram provided on the inside compressor compartment rear next to the electrical console box.

**START-UP CHECKLIST**

After your unit has been installed and electrically connected in accordance with this manual, please take time to check the following before loading product, to assure trouble free operation:

- Sufficient clearance provided (see “**Ventilation**”)
- Separate supply with correct voltage (see “**Electrical Connections**”)
- Cabinet level and casters/legs tight (see “**Installation and Location**”)
- Doors close and seal properly (see “**Door Removal and Adjustment**”)
- Correct cabinet temperature (see “**System and Adjustment**”)
- Thermometer calibrated (see “**Thermometer**”)
- Refrigeration lines free of kinks and vibration (see “**Refrigeration System**”)
- All fans rotate freely (see “**Refrigeration System**”)
- Freezers only: defrost clock set (see “**Freezer System and Adjustment**”)
- Pilaster clips secure and shelves level (see “**Shelving Installation**”)
- Pizza & Sandwich: All pans and dividers in place (see “**Pizza Prep and Sandwich Top Pan Openings**”)
- All packaging discarded and cabinet cleaned (see “**Periodic Cleaning**”)

The system should run smoothly and quietly in accordance with generally accepted commercial standards. If any unusual noises are heard, turn the unit off immediately and check for any obstructions of the condenser or evaporator fans. Fan motors, fan blades, or fan housings can be jarred out of position through rough handling in transit or during installation.

**OPERATION WITH MECHANICAL THERMOSTAT**

All cabinets must be given sufficient time to reach normal operating temperature before placing any product inside cabinet. Refrigerators are designed to maintain an ideal cabinet temperature of 38° to 40°F (3.3° to 4.4°C), approximately 1 hour of operation is required to reach this temperature. During pull-down of open top models, pans are to be in place and top lid is to be kept closed. Freezers are designed to maintain an ideal cabinet temperature of -4° to 0°F (-20° to -18°C), approximately 2 hours of operation are required to reach this temperature.

**THERMOMETER**

Your new model has a non adjustable hanging thermometer located inside the cabinet, mounted on the coil housing cover (see **Figure 11A**). This thermometer is maintenance-free and needs no further calibration. If your cabinet has a dial or digital thermometer mounted on the grill, see the “**Optional Accessories**” section of this manual for additional information.

All adjustable thermometers are pre-calibrated at the factory, to accurately show the cabinet temperature. While in transit, your cabinet will be subjected to more jarring and vibration than at any other time in its life and the thermometer may require some adjustment at start-up. During periods of heavy use, when the cabinet doors are opened repeatedly or remain open for an extended period of time, the temperature inside your cabinet may temporarily exceed the “safe” temperature indicated on the display. This is normal, as warm air outside the cabinet mixes with the cold air inside the cabinet, or if warm product is loaded into the cabinet. If your thermometer continues to show a temperature above the “safe” zone for your refrigerator or freezer, close the doors and make sure they seal tight. Keep the doors closed for at least 30 minutes and check the display again. If it still indicates high temperature, see “**Optional Accessories**” section of this manual for additional information.

**REFRIGERATION SYSTEM AND ADJUSTMENT**

All refrigerated storage cabinets are designed for the purpose of holding pre-chilled or frozen product and although they are capable of cooling or freezing small quantities of fresh product, they are not designed to be blast chillers or ice-cream freezers. Do not attempt to chill or freeze bulk quantities of fresh food, ice-cream, or other products in your refrigerated storage unit. Sandwich and Pizza Prep Tables are not intended for overnight product storage in the top opening or pan rail.

**IMPORTANT NOTE:** Do not attempt to bulk chill or freeze product in your storage cabinet and do not leave pans with food in your Sandwich top or Pizza Prep rail overnight.

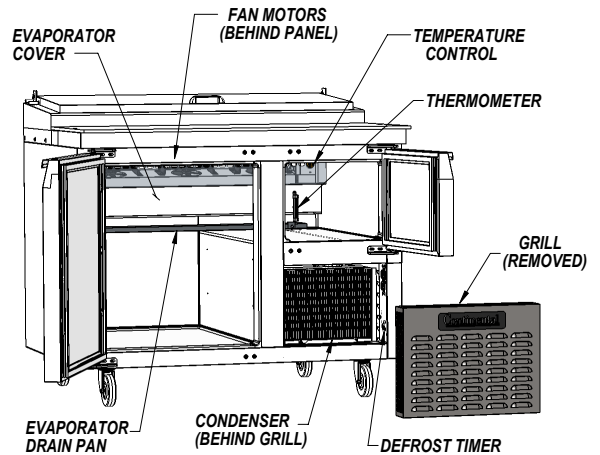
All models have an extra large, full length, performance-rated, plasticized fin coil for extended life, with uniquely directed air flow distribution that keeps product at uniformly constant temperatures. The evaporator coil and temperature control are easily accessible from inside the cabinet (see Figure 11).

All self-contained refrigerators and Pizza Prep Tables are designed and factory set to maintain an average cabinet temperature of 38° to 40°F (3.3° to 4.4°C). All self-contained freezers are factory set to maintain an average cabinet temperature of -4° to 0°F (-20° to -18°C). If an adjustment is necessary to maintain cabinet temperature within these ranges, locate the temperature control (see Figure 11) and place a screwdriver into the slotted knob on the temperature control. Turn clockwise no more than 1/4 turn for a colder cabinet temperature or counterclockwise for a warmer cabinet temperature. Allow the cabinet to stabilize for at least 30 minutes and recheck the temperature. Further adjustments out of the factory design temperature range should only be made by a qualified refrigeration mechanic.

**IMPORTANT NOTE:** Turning a thermostat fully counterclockwise turns the refrigeration compressor “off.”

**IMPORTANT NOTE:** All refrigerators and Pizza Prep Tables are designed with an automatic, “off-cycle” defrost system which means that defrosting occurs automatically when the compressor is not operating during an off-cycle. Do not set the thermostat too cold where the cabinet temperature will fall below 35°F (1.7°C) because the evaporator will become blocked by ice since the compressor off-cycle will be considerably shortened. This will result in loss of product stored within the cabinet and require service to defrost the evaporator and re-adjust the thermostat.

FIGURE 11: CPA/CRA Components (Front View)



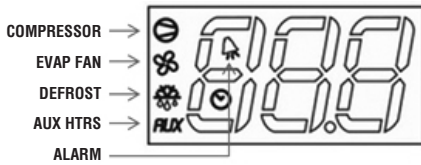
## DEFROST SYSTEM

(Pizza Prep and Freezer Base Models)

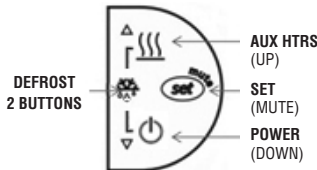
All Pizza Prep Tables feature a positive “off-cycle” defrost system, with a timer that automatically initiates and terminates compressor off-cycles, to ensure the evaporator remains frost-free, even under heavy usage. All freezer defrost systems feature a timer that initiates defrost cycles with a fail-safe cut-off time of 20 minutes, an automatic limit switch that provides temperature termination of the defrost cycles, and electric heaters for positive thawing of the evaporator coil and drain pan, for optimum performance.

The defrost timer on all pizza prep and freezer base models is located in the machine compartment, behind the front grill on CPA & CFA models (see Figure 11). If desired, the start time for a defrost cycle can be adjusted by turning the knob on the defrost timer clockwise until defrost cycle begins (compressor and all fans will terminate). Defrost will begin at this same time every day at 8-hour intervals. For example, if an 8:00 am defrost is desired, at 8:00 am turn the timer knob to initiate defrost. A defrost cycle will start every day at 8:00 am, 4:00 p.m., 12:00 am. If there is a loss of power to the cabinet, the defrost timer will have to be reset to maintain the same defrost cycle times.

## ELECTRONIC CONTROL DISPLAY AND BUTTONS



The control icons shown above will be illuminated when the associated function is active. If an icon is flashing, it means the function will be activated after the controller delays are finished.



- The “**AUX HTRS/UP**” button is used for activation or deactivation of the auxiliary anti-condensate heaters or for increasing values.
- The “**SET/MUTE**” button is used to lock in a new value or to silence the alarm beeper.
- The “**POWER/DOWN**” button is used to turn the unit on/off or for decreasing values.
- Press the “**UP**” and “**DOWN**” buttons simultaneously for 3 seconds to put into manual defrost.

**NOTE:** The electronic control has 2 or 3 probes. There is the regulation probe in the return air stream, there is an evaporator probe located in the evaporator coil, and if the unit has fascia heaters, there will be an ambient probe.

## INITIAL SEQUENCE OF OPERATION

1. Cabinet is plugged in.
  - a. The display will illuminate with the current cabinet temperature.
  - b. The compressor icon, fan icon, and the aux heater icon may flash for a period of time, indicating normal delayed start-up.
  - c. After the start-up delay, the compressor and evaporator fan(s) will start if the control is calling for cooling.
2. The control will cycle the compressor on and off determined by the SET-POINT and DIFFERENTIAL.
  - a. The SET-POINT is the preprogrammed temperature which shuts off the compressor.
  - b. The DIFFERENTIAL is the preprogrammed temperature that is added to the SET POINT temperature that will start the compressor.

**EXAMPLE:** Set-Point 36°F and the differential is 4°F the compressor will cycle off at 36°F and back on at 40°F.

3. The control may be preprogrammed to initiate a defrost by time interval.
  - a. During defrost, the defrost icon will appear in the display and the compressor will turn off until a preprogrammed temperature or time is reached. During this time for freezers only, the evaporator fan(s) will also turn off and the defrost heater will be energized.
  - b. After a preprogrammed evaporator temperature has been reached, there may be a short delay for both the compressor and evaporator fan(s) to restart.
  - c. After the defrost cycle is completed, the control will resume normal operation.

## HOW TO CALIBRATE THE ELECTRONIC CONTROL

The controller temperature display can be calibrated if required. Before attempting to calibrate the temperature display, check the display by placing a pre-calibrated temperature sensing device in the center of the refrigerated compartment and keep the doors closed for at least 15 minutes. The temperature display should read the same temperature as the sensing device, within +/-2°F. If not, follow these instructions to calibrate.

1. Press and **HOLD** the “SET” button until “PS” appears flashing in the display. Release the “SET” button.
2. Press the “UP” button until “/C1” appears in the display. Release the “UP” button.
3. Press and release the “SET” button. The current value of the offset will appear in the display.
4. Press the “UP” button to increase or the “DOWN” button to decrease the offset value.
5. Press and **HOLD** the “SET” button for 5 seconds to confirm and save the new value. When complete, the current temperature will be displayed. **RELEASE** the “SET” button.

**EXAMPLE:** If a sensing device in the cabinet reads 38°F and the control display shows 41°F, follow steps above and decrease the current offset by 3°F. If the current offset was 0, change to -3.

## HOW TO CHANGE THE SET-POINT

Refrigerators are factory set to maintain an average temperature of 38°F. Freezers are factory set to maintain an average temperature of 0°F. To change set-point:

1. Press and **HOLD** the “SET” button until the current set-point begins flashing. Release the “SET” button.
2. Press the “UP” or “DOWN” button to adjust to the new set-point value.
3. Press and release the “SET” button to lock in the new set-point. The control will now resume normal operation with the new set-point.

**HOW TO SWITCH THE CONTROLLER OFF/ON**

The controller can be switched OFF. The display will still be active but all systems operated by the control will be OFF.

1. To turn the controller OFF, press and **HOLD** “POWER” button for 5 seconds. When in the OFF mode, “OFF” will alternate in the display with the current appliance temperature.
2. To turn the controller back “ON”, press and **HOLD** “POWER” button for 5 seconds. The controller will resume normal operation.

**ANTI-CONDENSATE CONTROL (ON)**

1. To see the current state of the aux heaters (anti-condensate), press and **HOLD** “AUX HTR” button for 1 second. **RELEASE** “AUX HTR” button. The display will show the current state of the heater when the button is pressed.
2. To change the current state of the AUX Heaters, press and **HOLD** “AUX HTR” button. The display will show the current state of heater operation. After 5 seconds, the heater will switch to the opposite state and the display will return to displaying the cabinet temperature. **RELEASE** the button.

The control has a built in energy saving feature for the AUX (anti-condensate) heaters. When in the ON position, the AUX icon may not illuminate indicating the AUX heaters are not currently energized. The control will automatically energize the AUX heaters when the conditions require these heaters to be activated.

**HOW TO INITIATE A MANUAL DEFROST**

This is used when a one-time additional defrost may be necessary to clear accumulated ice from the evaporator coil.

1. Press and **HOLD** “UP” and “DOWN” buttons simultaneously for 5 seconds.
2. After 5 seconds, the defrost icon will illuminate. **RELEASE** “UP” and “DOWN” buttons.

**HOW TO CHANGE THE DEFROST INTERVAL**

This is used to increase or decrease the frequency of defrosts. If the interval is set at “8”, a defrost will occur every 8 hours. If you need more defrosts, lower this value.

1. Press and **HOLD** “SET” button until “PS” appears flashing in the display. Release “SET” button.
2. Press “UP” button until “DI” (defrost interval) appears in the display. Release “UP” button.
3. Press and **RELEASE** “SET” button. The current defrost interval will appear in the display.
4. Press “UP” or “DOWN” button to adjust to the new defrost interval.
5. Press and **HOLD** “SET” button to lock in this new value. When the display returns back to cabinet temperature, release “SET” button.

**NOTE:** Defrost cycles are time initiated and temperature terminated with a maximum time cut-off.

**HIGH AND LOW TEMPERATURE ALARMS**

The controller has high and low alarm set-points. These values can be modified per the end user requirements. There is a pre-programmed time delay for the alarm to activate to eliminate nuisance alarms. To change the alarm threshold values:

1. Press and **HOLD** “SET” button until “PS” appears flashing in the display. Release “SET” button.
2. Press “UP” button until “AL” (Low Alarm Setting) or “AH” (High Alarm Setting) appears in the display. Release “UP” button.
3. Press and **RELEASE** “SET” button. The current alarm setting will be shown.
4. Press “UP” or “DOWN” button to get the desired alarm set-point.
5. Press and **HOLD** “SET” button for 5 seconds to confirm and save the new value. When complete, the current temperature will be displayed. Release “SET” button.

**NOTE:** When in an alarm condition, the display will alternate between the cabinet temperature and alarm code. “AL” when in a low temperature alarm condition and “AH” when in a high temperature alarm condition. The control will also beep and the alarm icon will activate when in an alarm condition. To silence the alarm beeper for the active alarm just press and release the “SET/MUTE” button.

**ELECTRONIC CONTROL ERROR CODES**

If there is a regulation probe error, the display will just show alarm code “E0” and not flash the cabinet temperature. **If there is a probe error, you must contact your service provider immediately.**

| Alarm Code | Alarm Description      | Notes                             |
|------------|------------------------|-----------------------------------|
| E0         | Regulation Probe Error | Located in return air stream      |
| E1         | Evaporator Probe Error | Located in evaporator coil        |
| E2         | Ambient Probe Error    | Located on side of electrical box |
| LO         | Low Temperature Alarm  | Reference “AL” parameter          |
| HI         | High Temperature Alarm | Reference “AH” parameter          |

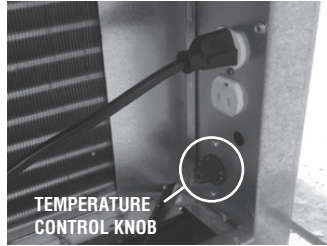
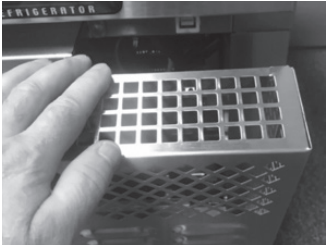
- If there is an error code “E0”, the control will operate the appliance in a preprogrammed ON/OFF cycle based on time, not temperature.
- If there is an error code “E1”, the control will still go into a defrost but will terminate on time, not temperature.
- If there is an error code “E2”, the aux heaters will not operate.



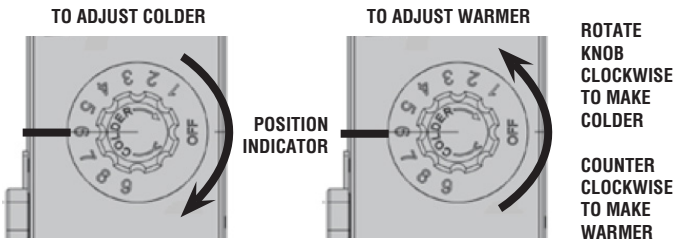
## OPERATIONS W/ ELECTRONIC DIAL BEHIND GRILL

### TEMPERATURE ADJUSTMENT PA & RA WITH ELECTRONIC DIAL CONTROL

1. Remove grill to access temperature control knob: to remove grill grasp top of the grill and pull outward to release the grill.



2. The temperature control knob has 9 temperature positions and an **OFF** position. **Position 1** is the warmest position and **position 9** is the coldest position. To make the temperature colder, turn the knob clockwise. To make the temperature warmer, turn the knob counterclockwise. When the knob is turned all the way counterclockwise, the unit will shut off.



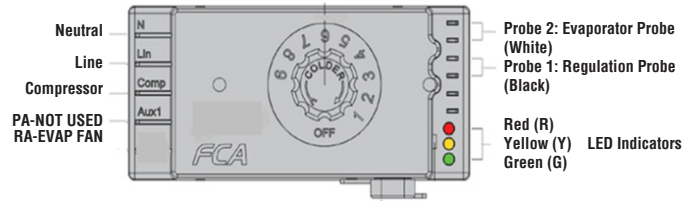
| Knob Position | CUT IN Temp |          | CUT OUT Temp |          |
|---------------|-------------|----------|--------------|----------|
|               | Solid Top   | Open Top | Solid Top    | Open Top |
| OFF           | -           | -        | -            | -        |
| Position 1    | 42          | 38.0     | 39           | 32.0     |
| Position 2    | 41          | 37.5     | 38           | 31.5     |
| Position 3    | 40          | 37.0     | 37           | 31.0     |
| Position 4    | 39          | 36.5     | 36           | 30.5     |
| Position 5    | 38          | 36.0     | 35           | 30.0     |
| Position 6    | 37          | 35.5     | 34           | 29.5     |
| Position 7    | 36          | 35.0     | 33           | 29.0     |
| Position 8    | 35          | 34.5     | 32           | 28.5     |
| Position 9    | 34          | 34.0     | 31           | 28.0     |

**CUT IN** temperature is the temperature sensed by the regulation probe that will **START** the refrigeration system.

**CUT OUT** temperature is the temperature sensed by the regulation probe that will **STOP** the refrigeration system.

**NOTE:** Regulation probe (black probe) is located in the return air stream of the evaporator coil.

### LED INDICATORS



| LEDs       |   |   | Description  |
|------------|---|---|--|
| R          | Y | G |  |
| ●          | ○ | ○ | Off (Voltage Protection or not programmed)                 |
| ○          | ⦿ | ○ | Cooling satisfied, compressor protection delay active      |
| ○          | ○ | ⦿ | Cooling satisfied, compressor protection delay complete    |
| ○          | ● | ○ | Cooling requested, compressor protection delay active      |
| ○          | ○ | ● | On (Cooling Demand, Comp ON)                               |
| ●          | ○ | ● | Defrost  |
| ○          | ⦿ | ○ | Probe #1 fault (1 blink every 2 secs)                      |
| ○          | ⦿ | ○ | Probe #2 fault (2 blinks every 2 secs)                     |
| ⊖          | ⊖ | ⊖ | Dial in OFF position                                       |
| ⦿          | ⦿ | ⦿ | Internal power supply fault                                |
| <b>KEY</b> |   |   |  |
| ●          | ● | ○ | ON OFF   |
| ⦿          | ⦿ | ⦿ | Flashing (1s) Blinking (2s) Cycling (0.5s) Flashing (0.2s) |

### PROBE RESISTANCE VALUES

| °F | °C    | KΩ    | °F | °C   | KΩ    | °F | °C   | KΩ    |
|----|-------|-------|----|------|-------|----|------|-------|
| 1  | -17.2 | 935.4 | 33 | 0.6  | 340.6 | 65 | 18.3 | 137.4 |
| 3  | -16.1 | 875.3 | 35 | 1.0  | 320.9 | 67 | 19.4 | 130.2 |
| 5  | -15.0 | 819.5 | 37 | 2.8  | 302.5 | 69 | 20.6 | 123.4 |
| 7  | -13.9 | 767.6 | 39 | 3.9  | 285.2 | 71 | 21.7 | 117.0 |
| 9  | -12.8 | 719.3 | 41 | 5.0  | 269.0 | 73 | 22.8 | 111.0 |
| 11 | -11.7 | 674.3 | 43 | 6.1  | 253.9 | 75 | 23.9 | 105.3 |
| 13 | -10.6 | 632.4 | 45 | 7.2  | 239.7 | 77 | 25.0 | 100.0 |
| 15 | -9.4  | 593.1 | 47 | 8.3  | 226.3 | 79 | 26.1 | 95.0  |
| 17 | -8.3  | 556.7 | 49 | 9.4  | 213.8 | 81 | 27.2 | 90.2  |
| 19 | -7.2  | 522.8 | 51 | 10.6 | 202.0 | 83 | 28.3 | 85.7  |
| 21 | -6.1  | 491.2 | 53 | 11.7 | 190.9 | 85 | 29.4 | 81.5  |
| 23 | -5.0  | 461.7 | 55 | 12.8 | 180.6 | 87 | 30.6 | 77.4  |
| 25 | -3.9  | 434.1 | 57 | 13.9 | 170.9 | 89 | 31.7 | 73.7  |
| 27 | -2.8  | 408.4 | 59 | 15.0 | 161.7 | 91 | 32.8 | 70.1  |
| 29 | -1.7  | 384.3 | 61 | 16.1 | 153.1 | 93 | 33.9 | 66.7  |
| 31 | -0.6  | 361.8 | 63 | 17.2 | 145.0 | 95 | 35.0 | 63.5  |



## MAINTENANCE

**SAFETY PRECAUTIONS**

**DISCONNECT POWER BEFORE ATTEMPTING TO WORK ON OR CLEAN EQUIPMENT. DO NOT ATTEMPT TO REMOVE ANY COVERS OR PARTS YOURSELF, AS THIS CAN EXPOSE DANGEROUS, HIGH VOLTAGE WIRING. SERVICE SHOULD ONLY BE PERFORMED BY A QUALIFIED TECHNICIAN.**

**ALWAYS ROUTE POWER CORDS AWAY FROM AREAS WHERE THEY CAN BE WALKED ON OR DAMAGED BY OTHER EQUIPMENT. YOUR APPLIANCE IS EQUIPPED WITH A POLARIZED, GROUNDED POWER PLUG. NEVER ATTEMPT TO REMOVE THE GROUND POST OR USE A NON-POLARIZED ADAPTER, WITHOUT PROPERLY GROUNDING THE EQUIPMENT.**

**CONDENSER FINS ARE MADE FROM THIN METAL AND HAVE SHARP EDGES. ALWAYS WEAR GLOVES AND USE CAUTION WHEN WORKING ON OR AROUND THE CONDENSING UNIT TO PREVENT CUTS AND AVOID DAMAGING FINS, TUBING AND OTHER COMPONENTS.**

**KEEP ELECTRICAL COMPONENTS AND CONTROLS DRY. DO NOT SPRAY WITH WATER! FAILURE TO FOLLOW THESE INSTRUCTIONS CAN CAUSE A SAFETY HAZARD AND VOID FACTORY WARRANTY.**

**PERIODIC CLEANING PROCEDURE**

It is always best to clean your refrigerator or freezer when the product load in your cabinet is at its lowest level. To clean the interior or exterior cabinet surfaces, follow these procedures:

1. Disconnect your cabinet from its power supply and remove all product from inside.
2. Open all doors and allow the cabinet to reach room temperature. Remove all accessories (shelves, clips, pans, etc.) from inside and wash them with a baking soda and warm water solution, wipe thoroughly with clean water. Dry all accessories completely with a soft clean cloth.
3. Once the cabinet has reached room temperature, wash the inside and outside surfaces with a solution of warm water and baking soda. Pay particular attention to the face of the cabinet, as any residue or debris can impair the door seal. For slightly more difficult cleanups, ammonia or vinegar in warm water can be used. Wipe down thoroughly with a damp cloth or sponge that has been soaked in clean water and wrung out thoroughly, and dry with a clean, soft cloth.

Carefully wash all of the vinyl door gaskets with clean water, dry them and check for any damage, which may affect the seal. Failure to dry all surfaces completely may cause water stains or streaking on the aluminum or stainless steel finish.

4. Return all accessories to their original locations, reconnect the power. Wait at least 1 hour before reloading product.

**CLEANING PRECAUTIONS**

**NEVER USE HARSH DETERGENTS, ABRASIVE CLEANERS, OR CHEMICALS CONTAINING HALOGENS (CHLORINE, FLUORINE, IODINE, ETC.) WHEN CLEANING YOUR UNIT. CONCENTRATED CHEMICALS CAN CAUSE DISCOLORING, ALWAYS WIPE THEM OFF IMMEDIATELY IF CONTACT OCCURS. SEE "CLEANING OF STAINLESS STEEL" FOR MORE INFORMATION. AVOID SPLASHING THE CABINET WITH WATER AND CHEMICALS WHEN MOPPING FLOORS OR CLEANING OTHER EQUIPMENT AROUND IT.**

**GENERAL PREVENTATIVE MAINTENANCE**

The most important thing you can do to maintain any refrigerator or freezer and extend its life, is to keep the condenser clean. Performance of the air-cooled condensing unit, located on the side of the cabinet, depends exclusively upon the amount of air passing through the condenser fins. Your refrigerator or freezer will run more efficiently, consume less energy, and provide a maximum of trouble-free service throughout its lifetime if the condenser coil is kept clean and an adequate supply of clean, cool air is provided at all times. Periodically (at least once a month) it is important to inspect the condenser coil for any debris or blockage that may have accumulated.

If the condenser coil is dirty or dusty, disconnect the cabinet power supply and use a stiff brush to wipe away any dirt and debris from the condenser fins. Using a vacuum cleaner with a brush attachment may aid in this process. After cleaning, restore electrical service to your cabinet.

**IMPORTANT!**

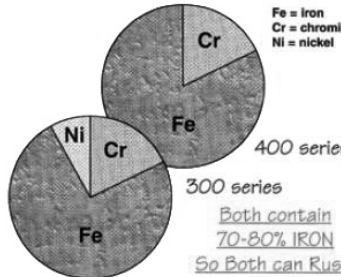
**AFTER-MARKET CONDENSER FILTERS ARE NOT PERMITTED BECAUSE THEY HINDER AIRFLOW. FAILURE TO KEEP THE CONDENSER CLEAN AND FREE FROM OBSTRUCTIONS WILL CAUSE EXCESSIVE COMPRESSOR LOAD, REDUCING THE PERFORMANCE OF YOUR UNIT. THIS CAN RESULT IN PREMATURE FAILURE AND WILL VOID YOUR WARRANTY.**

## CARE AND CLEANING OF STAINLESS STEEL \*

\*Some information and graphics for this section were obtained from "Stainless Steel Equipment Care and Cleaning" brochure, published by the North American Association of Food Equipment Manufacturers (NAFEM).

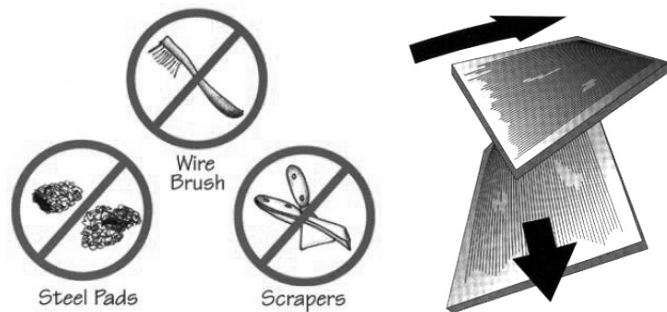
Contrary to popular beliefs, stainless steel can rust, if not properly cared for and maintained (That's why it's called stain-LESS steel, not stain-PROOF steel.)

All steel is primarily made of iron. Stainless steels contain other metals, such as chromium and nickel, that provide an invisible film on the surface of the steel that acts as a shield against corrosion. As long as this invisible layer is intact and not broken or contaminated, the metal will retain its corrosion protection and remain stain-less.



There are 3 basic things that can break down the protective layer on your stainless steel, which must be avoided:

1. **MECHANICAL ABRASION** is caused by things that scratch the surface of the metal. Only use soft cloths or plastic scouring pads to clean and always scrub in the same directions as the metal grain.



**DO NOT USE:** abrasive cleaners, steel pads, wire brushes, scrapers or knives to clean your equipment.

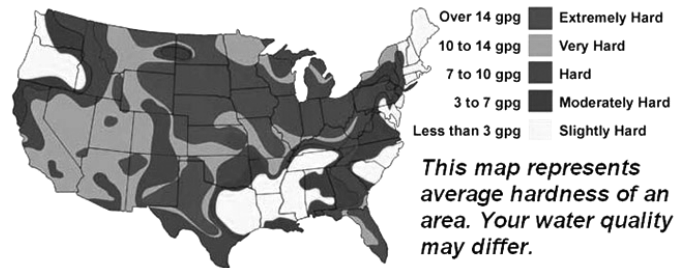
2. **CHLORIDES** are found in water, salt, food and worst of all, many cleaners. Only use chloride-free, alkaline-based, non-abrasive cleaners. Always wipe thoroughly with cool, clean water and dry with a soft towel. A solution of 1 tablespoon baking soda mixed with 1 pint water can be used to remove tough stains.



**DO NOT USE:** abrasive cleaners, chemicals with chlorides or muriatic acid to clean your equipment.

**3. HARD WATER** causes spots and stains on stainless steel surfaces, particularly when it is heated. Find out the hardness of your water and treat it properly, if needed. Use a water filter and softeners if you have hard water. Club soda can be used to remove streaks or spots.

## U.S. WATER HARDNESS MAP



**DO NOT USE:** hot or hard water to clean stainless steel.

**CLEAN YOUR STAINLESS STEEL REGULARLY** using the proper tools and cleaners. After cleaning, always **wipe, wipe, wipe** thoroughly with **cool, clean, clear water**.

**CHECK ALL OF YOUR EQUIPMENT PERIODICALLY.** If you see any signs of rust, clean the area immediately, with a plastic scrubbing pad. If surface rust is removed promptly, permanent corrosion, pits and cracks may be avoided. Special stainless steel polishes, that can help restore the protective coating on your equipment, are available from a variety of retailers.

**IMPORTANT:** If these recommendations are not followed, the protective film on your stainless steel can break down and your equipment may begin the long walk down the dark road of corrosion.

## PARTS AND SERVICE

Continental is committed to providing the best customer service in the industry. All new units come with a Limited Extended Protection Warranty (see “**Warranty**” section of this manual for details). If a problem arises with your equipment, please contact our Service Department at **1-800-523-7138**. One of our Service Specialists will do everything possible to solve the problem as quickly as possible.

**ITEMS NOT COVERED UNDER WARRANTY INCLUDE, BUT ARE NOT LIMITED TO:**

- **Preventative maintenance:** cleaning condenser coils and other components.
- **Consumables:** light bulbs, door gaskets, batteries.  
**General hardware adjustments:** cabinet leveling, casters/legs, doors/hinges.
- **Problems due to:** inadequate installation or supply power; improper maintenance, operation, or abuse.
- **Compressor failure due to:** dirty condenser, insufficient clearance/ventilation, excessive temperatures.
- **System adjustments and calibrations, including:** controls, thermometer and expansion valves.

Consult the Table of Contents in the front of this manual for detailed information on the items listed above. Contact Continental’s Service Department with any additional questions.

## PLACING A SERVICE CALL

In order to receive prompt service, always be prepared to provide your: cabinet model and serial number; cabinet location name and date installed; contact name and phone number; plus a description of the problem.

During normal business hours (Monday to Friday, 8am to 5pm Eastern) contact the Service Department at: **800-523-7138, prior to any warranty service work being performed.**

After normal business hours, or on weekends you can notify our Service Department by sending an email to: **continentalservice@nrac.com** or by calling **267-525-3300** and leaving a message in the general mail box. Be sure to provide the information listed above. Contact Continental Refrigerator the following business day, during normal business hours, to verify the status of your call.

## OBTAINING REPLACEMENT PARTS UNDER WARRANTY

If replacement parts are required for a unit under warranty, contact Continental’s Service Department. New parts will be sent from the factory and, when applicable, a Return Goods Authorization (RGA) will be issued to return old parts. The RGA number must appear on the packaging of any parts returned, or they will not be accepted. If a service agent uses a part from their stock, Continental will replace it with a factory part.

## OBTAINING REPLACEMENT COMPRESSOR UNDER WARRANTY

If the compressor should fail within the first twelve (12) months of use, or within twenty (20) months from the date code on the compressor, an “over-the-counter” exchange must be made at an authorized Copeland, Danfoss, Embraco, or Tecumseh wholesaler.

After the first year, the compressor motor is covered under an extended “parts only” warranty. The customer is responsible for any labor charges and any additional parts that may be required. Contact the Service Department to obtain a replacement compressor through one of the following methods:

- Continental will supply a replacement compressor at no charge and pay for regular freight. (If expedited freight is requested, the end user, dealer or service agent is responsible for additional charges and must provide credit card information.
- A compressor can be purchased locally and Continental will either replace the stock unit with a new factory compressor, or offer an allowance towards the purchase of a replacement compressor, up to: \$100 for 1/5hp to 1/3hp; \$250 for 1/2hp to 3/4hp; \$350 for 1hp to 2hp.

The data tag from the defective compressor (or compressor model, serial number and date code, if the tag cannot be removed) must be included with any reimbursement request.

## END-OF-LIFE DISPOSAL OF REFRIGERATED EQUIPMENT

Your unit is designed and built to provide many years of reliable service. At the end of its useful life, please follow the steps below for safe disposal, to help avoid accidents and to protect the environment.

1. Remove all doors, to eliminate any potential for accidental child entrapment.

- All refrigerant should be removed from the system by a qualified technician and disposed of properly, or reclaimed. (Intentional venting of many refrigerants into the air is harmful and prohibited; violators are subject to fines). All refrigerant oil should be drained from the compressor and discarded appropriately.
- Properly dispose of the cabinet and refrigeration system components. The majority of the metal in your unit (stainless steel or aluminum cabinet shell and doors, steel shelving and compressor, copper refrigerant lines, etc.) can be recycled. Many recycling facilities will dispose of the unit free of charge, or pay you for scrap value of the material content.

## OPTIONAL ACCESSORIES

Continental offers a variety of accessories for your unit.

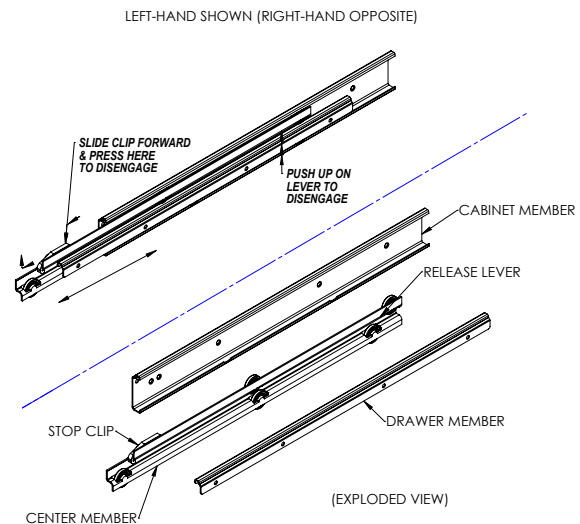
### DRAWERS: REMOVAL AND ADJUSTMENTS

To remove the drawers from the cabinet, slide each drawer out until it stops. Unhook the stop clip at the front of the left and right-hand drawer slide (**see Figure 12**) by pushing the clip forward and pressing down on the top back edge as shown. Lift the drawer slightly as you pull it the rest of the way out. The center member, with the wheels attached, will remain in the cabinet. To remove a drawer center member for cleaning or maintenance, pull it out and push up on the release lever at the back, as shown.

To install a drawer, identify the correct parts and orient the center members so the plastic clips are in the front and at the top. Insert one of the center members into the front of the correct cabinet member (which is permanently attached to the inside of the cabinet) and slide it in, until it stops. Push up on the release lever (located toward the rear and top of the center member) to allow the center member roll the rest of the way into the cabinet member, in the “drawer closed” position. Repeat for the opposite side center member. Pull each center member out a few inches, press down on the rear of each stop clip, and pull forward so the hook on the front of the clip rotates up, into the “unlocked” position. Lift the drawer body into place, resting the drawer members (the channels welded to the sides of the drawers) on the front wheels of the center member, and slide the drawer into the cabinet. Once the drawer goes in all the way and slides smoothly, open it enough to access the stop clips. Lift the back of each clip and push in at the front, so the hook portion snaps into the “locked” position. The drawers are now secured, so they cannot accidentally be lifted out of the cabinet. Check that the drawer is properly aligned, rolls smoothly and the drawer gasket seals firmly.

If the drawer fronts need adjustment (once all drawers are installed and closed), loosen the five screws that hold the drawer front to the drawer body. Move the drawer front into position desired and re-tighten all screws.

**FIGURE 12: Drawer Slide**



### INSTALLING DRAWER CAGE

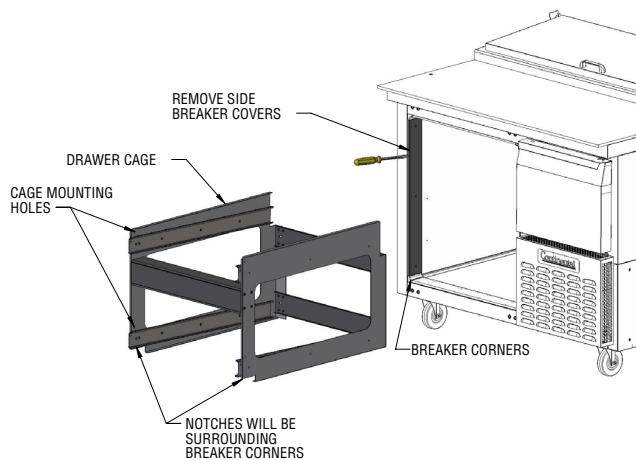
To convert your cabinet from doors to drawers, you will need a drill with a 1/8" bit, a Phillips bit (or a Phillips-Head screwdriver (or drill/driver with Phillips bit), and a rubber mallet. Take the door off the section you want to convert, by following instructions in the “**Removal of Doors**” section of this manual. Take the drawers out of the mounting cage, by following instructions in the “**Removal of Drawers**” section of this manual.

Position the drawer mounting cage in front of the cabinet opening as shown (**see Figure 13**). Lift the cage above the trim along the bottom of the opening, so it is aligned to go straight into the cabinet. Carefully slide the drawer cage into the unit opening. It is a snug fit and some pressure may be need to be applied at the corners, to clear the breaker around the opening. A rubber mallet can be used to gently tap on the ends of the drawer cage cross mullion, to force the fasteners past the side breakers. The straighter the cage is pushed in, the easier it will be to install. When the cage is in as far as it will go, the notches at the front of the cage should surround the breaker corners at the bottom. The face of the drawer cross mullion should be relatively flush with the front face of the cabinet, to provide an even surface for the drawer gaskets to seal properly around the openings. The cage should sit relatively flat on the floor and against the back wall step inside the cabinet.

With the cage properly in place, use the holes along the front sides of the cage assembly as a template to drill (6) 1/8" pilot holes through side breakers and the metal underneath. Drive a sheet metal screw into each of the front mounting holes, securing the front of the cage to the inside of the opening, and tighten them snugly, without stripping the screws or the pilot holes.

To re-install the drawers into the cabinet, follow the instructions in the "**Removal of Drawers**" section of this manual.

**FIGURE 13: Drawer Cage**



## INSTALLING OVERSHELF OR DOUBLE OVERSHELF

**IMPORTANT NOTE:** Installing an overshelf is a two-person job. Due to the weight, size and height of the shelf, do not attempt to mount it alone, as this can cause injury.

To mount an overshelf to your cabinet, a Phillips-head screwdriver (or a screw gun with Phillips bit) is required. Before starting to assemble the overshelf, identify the following parts provided: 1/4-20 screws, 10-32 screws, uprights, top shelf, and bottom shelf (for double overshelves only). If applicable, determine the height you want the bottom shelf to be located.

**IMPORTANT NOTE:** There are three pairs of holes provided in the uprights so the bottom shelf can be installed at a height of 19", 21", or 23" above the top of the cabinet. On double overshelves, this height will also determine the distance between the bottom shelf and the top shelf (13", 15", or 17").

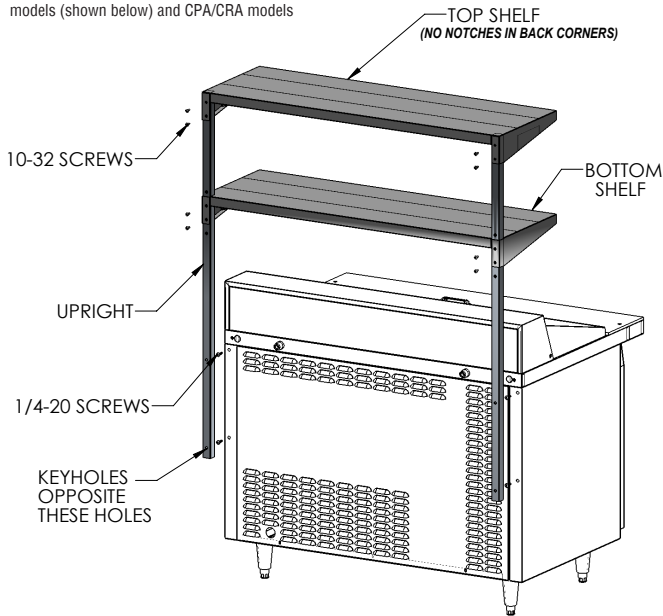
From the back of your cabinet, locate the two holes with threaded inserts at each end of the Cabinet. (see **Figure 14**) Drive a 1/4-20 screw into each of the (4) threaded inserts, until the bottom of the screw head is about 1/8" away from the threaded insert. Position the uprights at the back of the cabinet. Noting that there are two keyhole slots on one face of each upright, locate the keyholes at the bottom, facing the screws you just installed in the cabinet. Lift the upright and place the large portion of the keyhole slots over the screw heads and then lower it on to the screws. Insert a Phillips screwdriver through the clearance holes, on the opposite side of the keyhole slots (in the rear of the uprights). Tighten the screws just until the upright is snug against the unit, but leave a little play for alignment. Repeat this procedure for the other upright.

To install a double overshelf (for single overshelf, skip to the next paragraph) locate the bottom shelf, which has a large hole in each rear corner. With one person holding each end of the shelf, lift it above the top of the uprights and align it so the large holes in the rear of the shelf fit over the uprights. Carefully slide the shelf down, until the small holes on back of the shelf line up with the correct holes in the uprights, depending on the shelf height desired. Attach the shelf to the uprights, using two 10-32 screws on each end. Drive the screws until snug, but do not tighten them completely.

With one person supporting each end of the top shelf, lift it into position above the uprights and lower it down onto them. Secure the shelf, using two 10-32 screws on each end, driving them snugly but not tightly. Check the alignment of the shelves and tighten all the screws. Double check that the shelves and uprights are secured rigidly.

**FIGURE 14: Overshelf Installation**

**Note:** Overshelf installation is the same for both SW models (shown below) and CPA/CRA models

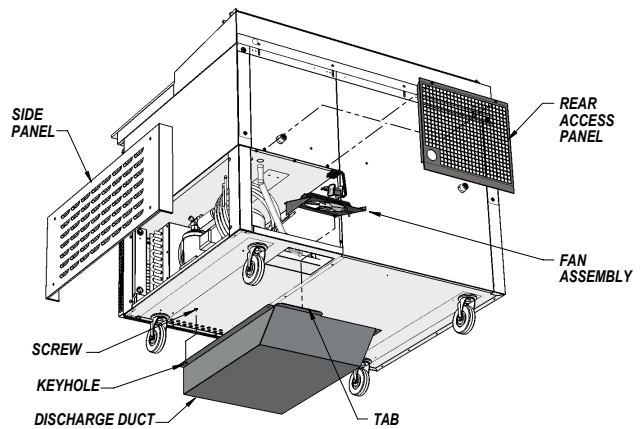


## INSTALLING FRONT BREATHER KIT

Disconnect cabinet power by unplugging cord from electrical supply. Remove back and/or side panel to gain access to the machine compartment (see Figure 15). Loosen (2) screws on bottom of cabinet, towards front of machine compartment. Position discharge duct under cabinet as shown and insert tab into back edge of cutout on bottom of cabinet. Lift front of the duct, so keyhole goes over screws in cabinet and duct is flat against bottom of cabinet. Slide duct towards back of cabinet and tighten screws. Position fan assembly as shown and place into notch at rear of compressor compartment base. Secure with (2) screws provided. Plug fan power cord into a standard 115 volt wall outlet or into the receptacle in the cabinet control box labeled “vaporizer”, located at the front of the machine compartment. Reconnect power to the cabinet.

**ANY RESTRICTIONS TO THE AIR FLOW THROUGH THE FRONT GRILL OR UNDER THE CABINET CAN DAMAGE THE REFRIGERATION SYSTEM AND WILL VOID ALL WARRANTIES.**

**FIGURE 15: Front Breather Kit**



## MOUNTING CASTER SUPPORT PLATES

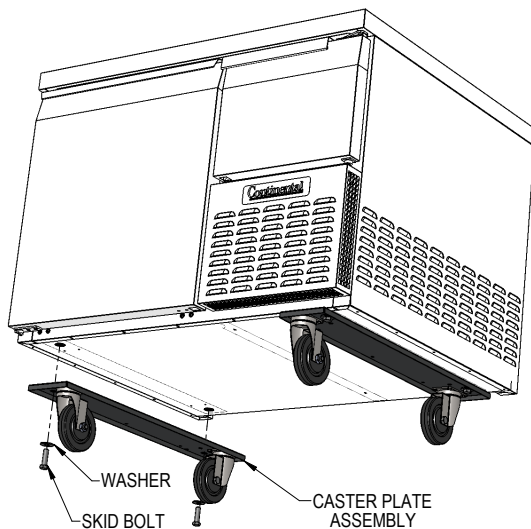
If the standard stem casters on a cabinet are not properly maintained and tightened, or if the unit is excessively overloaded and moved around, the threaded inserts in the bottom of the cabinet can become stripped, twisted or collapsed. If this occurs and the stem casters cannot be mounted securely, rigid caster support plates can be fitted to provide the strength needed to safely use your cabinet. Each caster support plate assembly is made of heavy gauge galvanized steel, with (2) casters attached for maximum rigidity. The plate has holes that allow you to fasten the plate assembly to the bottom of the cabinet with sheet metal screws and bolts. Contact the factory to obtain the correct parts for your model.

**IMPORTANT NOTE:** Always wear proper work gloves and use appropriate safety equipment. You may **CAREFULLY** lay the cabinet on it's back, but only **FOR A BRIEF PERIOD OF TIME**. Caution must be taken to ensure you **DO NOT DAMAGE** the louvered back panel, refrigeration system components, or copper tubing located behind the panel. The cabinet must be properly blocked, to allow room to get your hands in to lift without damaging the cabinet or crushing the vents on the back panel. **DO NOT PLUG-IN OR OPERATE THE REFRIGERATION SYSTEM FOR AT LEAST THREE (3) HOURS AFTER RETURNING THE UNIT TO AN UPRIGHT POSITION, AS THIS CAN DAMAGE THE COMPRESSOR.**

To install caster support plate assemblies, you will need a 3/4" open end wrench (or a large adjustable wrench), a drill with a 1/8" bit and a Phillips bit (or a Phillips-Head screwdriver) plus work gloves. A 1/2-13 thread tap is also recommended, to repair any damage to the threaded inserts in the cabinet. Unload all product and carefully lay the cabinet on its back. Remove the old stem casters by unscrewing them from the cabinet. If a caster or threaded insert has been stripped or cross-threaded, it may be necessary to use a wrench to loosen the caster.

Hold one of the support plate assemblies under the cabinet as shown (see **Figure 16**). Position it so the slotted holes at the end of the plate line up with the threaded inserts in the bottom of the cabinet (where the stem casters were attached). Attach the plate assembly to the cabinet by putting a 1/2" x 1-3/4" long bolts and flat washer through the slot in the support plate and screwing into each of the threaded inserts in the bottom of the cabinet. **Snug the bolts down, but do not tighten them completely.** If one of the threaded inserts is stripped or damaged, a thread tap should be used to clean the threads.

**FIGURE 16: Caster Support Plates**



Using the small holes in the plate as a template, drill 1/8 pilot holes in the bottom of the cabinet. (**Note: drill only until you penetrate the metal bottom of the cabinet. Do not continue to drill into the insulation, or you may damage the cabinet.**) Secure the caster support plate assembly to the cabinet with a sheet metal screw in each of the drilled holes. Tighten the 1/2" bolts. Repeat these steps to attach the other plate assembly to the opposite end of the cabinet.

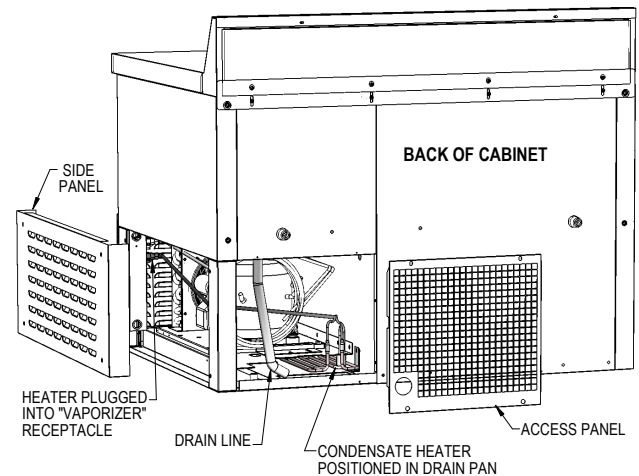
Check that both plates are secure and that the casters turn and swivel freely. Carefully lift the cabinet upright and double check that the caster support plates are secure and the cabinet is stable. Wait at least 3 hours before turning the refrigeration system back on, and at least another 30 minutes for the cabinet to come down to temperature and stabilize, before reloading with product.

## INSTALLING ELECTRIC CONDENSATE HEATER

The condensate heater has a thermal limit switch and power cord attached. Remove the screws for the rear access panel from the cabinet and set aside. Place the condensate heater in the drain pan as shown in **Figure 17**. Position the end of the plastic drain tube in the pan. Make sure tubing isn't kinked, is secure and doesn't touch the heater. Plug the heater power cord into the receptacle labeled "vaporizer". Secure excess cord with a wire tie, so it doesn't fall into the pan or under the cabinet. Reattach the access panel to the back of the cabinet.

**IMPORTANT NOTE:** It is extremely important to ensure the condensate heater is plugged into the receptacle labeled "vaporizer" and that the condensing unit is plugged into the receptacle labeled "condensing unit."

**FIGURE 17: Electric Condensate Heater**



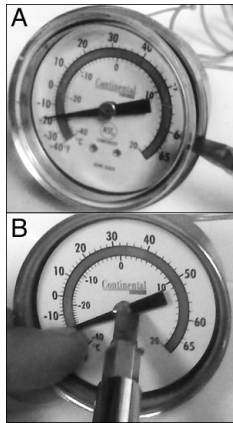
## DIAL THERMOMETER AND CALIBRATION

Your NSF-approved dial thermometer has a remote sensing bulb, located in the refrigerated compartment. The display features a large 2" diameter face, with an easy-to-read scale that shows the internal cabinet temperature in Fahrenheit (°F) and



Celsius (°C). Blue (safe) and red (caution) color bands provide a quick, visual indication of the temperature inside your refrigerator or freezer. The thermometer is pre-calibrated at the factory, to accurately show the cabinet temperature.

To check the accuracy of your thermometer, place a pre-calibrated temperature sensing device in the center of the refrigerated compartment and keep the door closed for at least 10 minutes. The thermometer should read the same temperature as the sensing device, within  $\pm 2^{\circ}\text{F}$  ( $\pm 1^{\circ}\text{C}$ ). If it does not, use a small straight-blade screwdriver to carefully pry the clear lens cover from the thermometer body as shown (see **Photo A**).



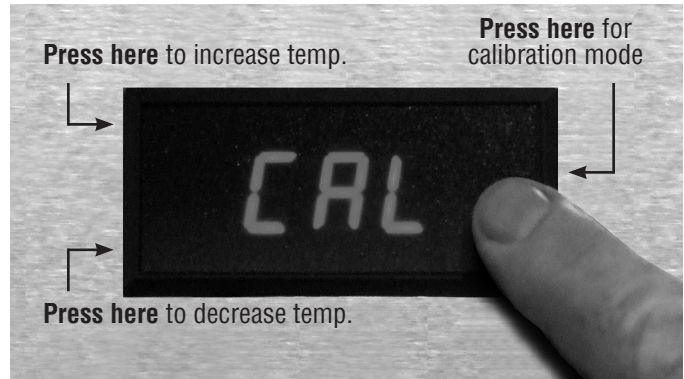
Use a small straight-blade screwdriver and place on center slotted hub of thermometer. Carefully hold the needle and turn the center screw clockwise to lower and counterclockwise to increase the desired temperature, as shown (see **Photo B**). Replace the lens cover and recheck the calibration.

## DIGITAL THERMOMETER AND CALIBRATION

Your NSF-approved digital thermometer has a remote sensing bulb, with an FDA-approved coating, located in the refrigerated compartment on the left-hand wall. The unit features a large, easy to read, LED display that shows the internal cabinet temperature.

To check the calibration of your thermometer, place a pre-calibrated temperature sensing device in the center of the refrigerated compartment and keep the door closed for at least 15 minutes. The digital thermometer display should read the same temperature as the sensing device within  $\pm 2^{\circ}\text{F}$  ( $\pm 1^{\circ}\text{C}$ ).

If it does not, press the right, center section of the front display (see **Photo**) twice. After the first press, the letters “CAL” will appear on the screen (to show the unit is in calibration mode). After the second press, the number of degrees (-25 to 25) that the display offset is set for will appear. Once you see this, press on the lower left corner of the front face to decrease the temperature displayed, or press on the upper left section to increase the temperature displayed.



For example, if the sensing device in the cabinet reads  $38^{\circ}$  and the thermometer display reads  $40^{\circ}$ , press on the lower left corner twice so that “-2” appears on the display. After adjusting the offset, press on the right center of the display again to exit calibration mode. Wait 10 to 15 seconds for the cabinet temperature to be displayed and recheck the calibration.

**NOTE:** The buttons need to be pressed without delay between actions. Contact the factory with any questions.

## INSTALLING PAN SLIDE CAGE

Place cage in door opening, about 3/4 of the way in. Mount side bracket(s) in existing holes on interior side(s) or step (see **Figure 18**). Mount center bracket in existing holes, on inside of center mullion, when present (see **Figure 18A**). After brackets are installed securely, push cage the rest of the way in. Install 4 screws in front of cage (see **Figure 18B**). Install angle slide in desired mounting slots (see **Figure 18C**).

**FIGURE 18: Pan Slide Cage Side Bracket(s)**

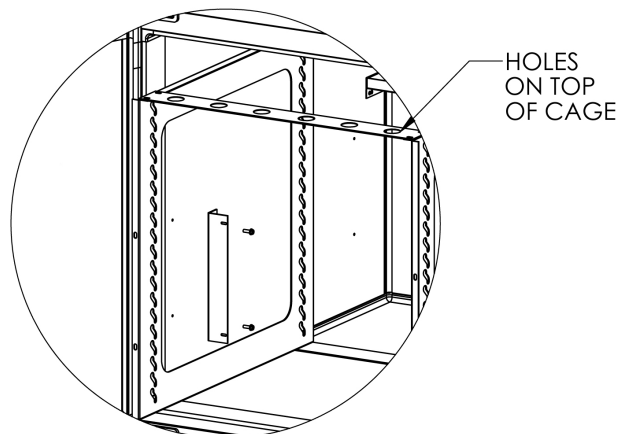


FIGURE 18A: Pan Slide Cage - Center Bracket

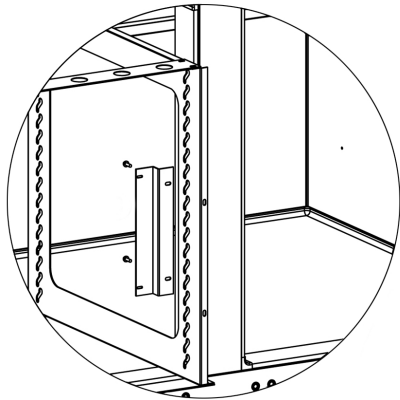


FIGURE 18B: Pan Slide Cage - Install Screws

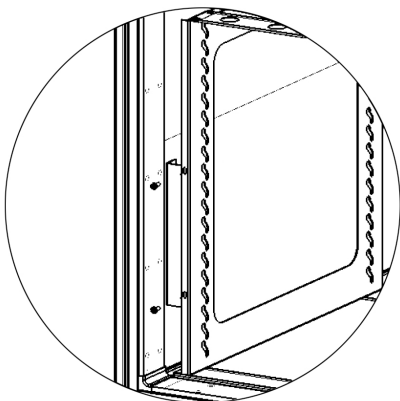
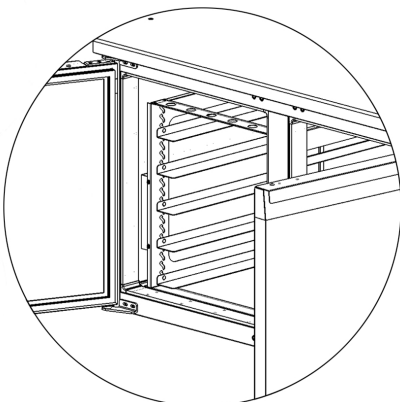


FIGURE 18C: Pan Slide Cage - Install Angle Slides

**REMOTE SET-UP AND INSTALLATION GUIDELINES**

All remote refrigerators and freezers are shipped with an expansion valve, thermostat and defrost timer (freezer only), installed from the factory. The installer is responsible for connecting all refrigerant lines, liquid line drier, sight glass, solenoid, head pressure control, hi/low pressure safety, crankcase heater, condensing unit and any other accessories as well as wiring. The evaporator section has been factory leak checked with helium, however; due to vibration in transit, the entire system must be thoroughly leak checked after installation and prior to start-up. The final leak inspection of the entire completed refrigeration system and all of its components as well as start-up and the operation of the refrigeration system is the sole responsibility of the installer.

The CFC-Free refrigerant used in standard remote and self-contained models is R-134a for refrigerators and R-404A for freezers. All compressors and systems designed for these refrigerants utilize polyolester oil as their main lubricant, which absorbs moisture from the ambient surroundings extremely fast and in much greater quantity than conventional mineral oils. Since moisture levels greater than 100 PPM will result in system corrosion and ultimate failure, it is imperative that the compressor, components and entire system be kept sealed.

1. All refrigerant lines and components must be clean, free of burrs and purged with nitrogen prior to and during brazing or soldering connections. Nitrogen purging during brazing or soldering will eliminate carbon or foreign matter contamination. Any system restrictions or contamination is the responsibility of the installer.
2. Condensing unit or compressor shall not be left open to the atmosphere for more than five (5) minutes.
3. No refrigeration component, tubing or fitting shall be left open to the atmosphere for more than ½ hour without being soldered, capped or plugged.
4. Each completed refrigeration system shall be purged with 150psi of dry nitrogen for at least six (6) seconds, then pressurized with at least 165psi of nitrogen for pressure check (making sure to energize any solenoid valves to assure access). Leak-check all joints, flare fittings and valves and make sure there is no pressure drop within the system.
5. System evacuation is of the utmost importance with NON-CFC refrigerant systems. System must be evacuated to a minimum of 200 microns. In addition, a vacuum decay test is strongly recommended to assure there is not a large pressure differential between the system and vacuum pump. System must be evacuated from both high and low sides of the system using heavy duty vacuum hoses.

6. Each system should be charged with the refrigerant type as specified on the cabinet data tag. This refrigerant type should match the type listed on the condensing unit being used. The refrigerant charge should be held to the minimum required for the satisfactory pull down and operation. For an accurate indication of refrigerant charge, the sight glass will show a full column of liquid.
7. The superheat reading taken 6" from the compressor suction valve should be  $30^{\circ} \pm 5^{\circ}$ . Expansion valve adjustment may be necessary to achieve this superheat.
8. Installation of the electric condensate heater is the responsibility of the installer (see "Installing Electric Condensate Heater" under "Optional Accessories").

**CAUTION: EXTREME CARE MUST BE USED WHEN ACCESSING THE SYSTEM DURING INSTALLATION. DUE TO THE COMPLEXITY OF REMOTE REFRIGERATION SYSTEMS AND THE POTENTIAL FOR IMPROPER INSTALLATION, ANY RESTRICTIONS, LEAKS, FAILED OR DAMAGED COMPONENTS CAUSED BY CONTAMINANTS ARE NOT THE RESPONSIBILITY OF CONTINENTAL REFRIGERATOR.**

### FISH FILE BASE MODELS

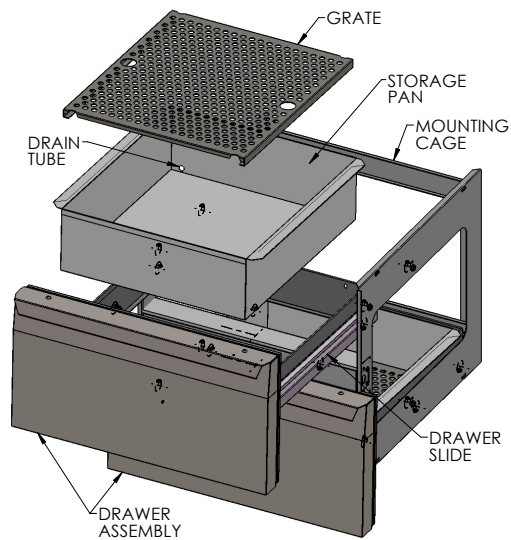
Fish File models are provided with drawers specially designed for the storage of fresh fish, or similar product, packed in crushed ice. Each drawer has a removable pan, with a drain tube at the back corner (see Figure 18). Water from melting ice in the pan, along with moisture from the product, drains out of the storage pan through the tube, along a trough on the interior cabinet wall, down to the sloped interior bottom, and out of the cabinet through a 1" drain tube.

### INSTALLATION AND LOCATION

In addition to normal considerations (see **Installation and Location**), Fish File units should be installed directly over a building floor drain, to rapidly dispose of water from melted ice that drains out of the cabinet. It is also highly recommended that your Fish File is located near a water source that can be used to thoroughly wash down your cabinet regularly.

**NOTE:** If a building floor drain is not immediately available, a waste line, with consistent downward slope, must be supplied and connected to the 1" NPS drain tube located under the cabinet. An electric condensate vaporizer cannot be used to dispose of water from melted ice, as the liquid waste contains food residue that can cause unpleasant odors and potentially unsanitary conditions.

**FIGURE 18: Fish File Drawer Assembly**



## REFRIGERATED BASES & PIZZA PREP TABLES

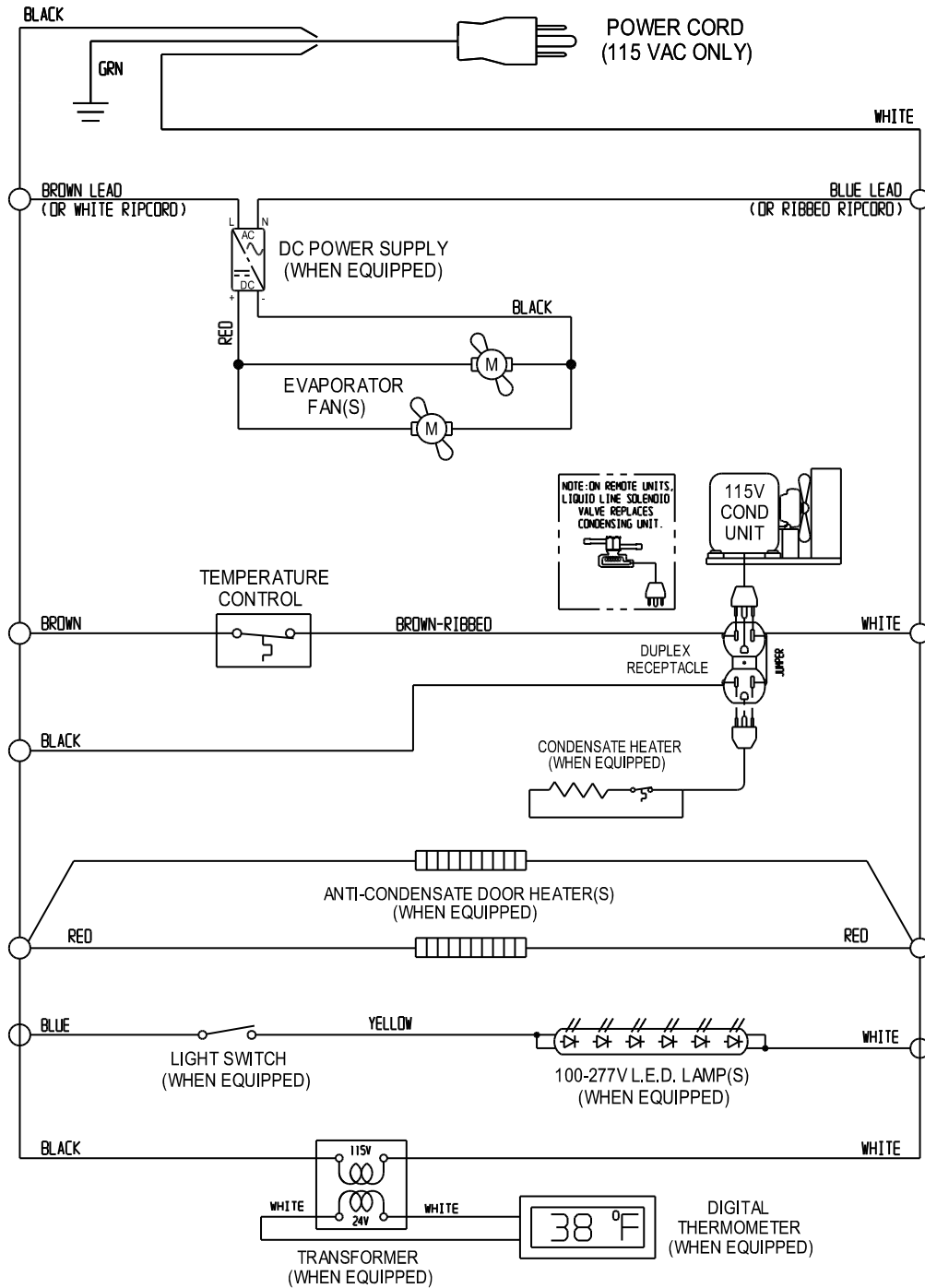
### TROUBLESHOOTING GUIDE

| PROBLEM  | PROBABLE CAUSE  | CORRECTION  |
|--|---|---|
| Condensing unit will not start - no hum.                                 | <ol style="list-style-type: none"> <li>1. Line disconnected, switch open.</li> <li>2. Fuse removed or blown.</li> <li>3. Overload protector blown.</li> <li>4. Control "Off" due to cold location.</li> <li>5. Control stuck in open position.</li> <li>6. Wiring improper or loose.</li> </ol>   | <ol style="list-style-type: none"> <li>1. Close start or disconnect switch.</li> <li>2. Replace Fuse.</li> <li>3. Determine reason and correct/replace.</li> <li>4. Relocate control.</li> <li>5. Repair or replace control.</li> <li>6. Check wiring against diagram.</li> </ol>   |
| Condensing unit will not start - hums but trips on overload protector.   | <ol style="list-style-type: none"> <li>1. Improperly wired.</li> <li>2. Low voltage to unit.</li> <li>3. Starting capacitor defective.</li> <li>4. Relay failing to close.</li> <li>5. Compressor motor has a shorted or open winding.</li> <li>6. Internal mechanical trouble in compressor.</li> <li>7. Insufficient air supply.</li> </ol>   | <ol style="list-style-type: none"> <li>1. Check wiring against diagram.</li> <li>2. Determine reason and correct.</li> <li>3. Determine reason and replace.</li> <li>4. Determine reason and replace.</li> <li>5. Replace compressor.</li> <li>6. Replace compressor.</li> <li>7. Clear condenser and allow compressor to cool down.</li> </ol>   |
| Condensing unit starts and runs, but short cycles on overload protector. | <ol style="list-style-type: none"> <li>1. Additional current passing through overload protector.</li> <li>2. Low voltage unit.</li> <li>3. Overload protector defective.</li> <li>4. Run capacitor defective.</li> <li>5. Excessive discharge pressure.</li> <li>6. Excessive suction pressure.</li> <li>7. Insufficient air supply.</li> </ol>   | <ol style="list-style-type: none"> <li>1. Check wire diagram. Check for added components connected to wrong side of overload protector.</li> <li>2. Determine reason and correct.</li> <li>3. Check current, replace protector.</li> <li>4. Determine reason and replace.</li> <li>5. Check ventilation, restrictions in cooling medium or refig. system.</li> <li>6. Check for misapplication.</li> <li>7. Clear condenser and allow compressor to cool down.</li> </ol>   |
| Condensing unit starts, but fails to switch off of "start" winding.      | <ol style="list-style-type: none"> <li>1. Improperly wired.</li> <li>2. Low voltage to unit.</li> <li>3. Relay failing to open.</li> <li>4. Run capacitor defective.</li> <li>5. Excessively high discharge pressure.</li> <li>6. Compressor motor has a shorted or open winding.</li> <li>7. Internal mechanical trouble in compressor.</li> </ol>   | <ol style="list-style-type: none"> <li>1. Check wiring against diagram.</li> <li>2. Determine reason and correct.</li> <li>3. Determine reason and replace.</li> <li>4. Determine reason and replace.</li> <li>5. Check discharge shut-off valve, possible overcharge.</li> <li>6. Replace compressor.</li> <li>7. Replace compressor.</li> </ol>   |
| Condensing unit runs, but short cycles on:                               | <ol style="list-style-type: none"> <li>1. Overload protector.</li> <li>2. Thermostat.</li> <li>3. High pressure cut-out due to:                             <ol style="list-style-type: none"> <li>(a) Insufficient air supply.</li> <li>(b) Overcharge.</li> <li>(c) Air in system.</li> </ol> </li> <li>4. Low pressure cut-out due to:                             <ol style="list-style-type: none"> <li>(a) Valve leak.</li> <li>(b) Undercharge.</li> <li>(c) Restriction in expansion device.</li> </ol> </li> </ol> | <ol style="list-style-type: none"> <li>1. See <b>Problem 3</b></li> <li>2. Differential must be widened.</li> <li>3.                             <ol style="list-style-type: none"> <li>(a) Check air supply to condenser.</li> <li>(b) Evacuate and re-charge.</li> <li>(c) Evacuate and re-charge.</li> </ol> </li> <li>4.                             <ol style="list-style-type: none"> <li>(a) Replace, evacuate and re-charge.</li> <li>(b) Evacuate and re-charge.</li> <li>(c) Replace expansion device.</li> </ol> </li> </ol> |
| Condensing unit runs, but for prolonged periods or continuous.           | <ol style="list-style-type: none"> <li>1. Shortage of refrigerant.</li> <li>2. Control contacts stuck closed.</li> <li>3. Excessive heat load placed into cabinet.</li> <li>4. Prolonged or too frequent door openings.</li> <li>5. Evaporator coil iced.</li> <li>6. Restriction in refrigeration system.</li> <li>7. Dirty condenser.</li> <li>8. Filter drier clogged.</li> </ol>  | <ol style="list-style-type: none"> <li>1. Fix leak, evacuate and re-charge.</li> <li>2. Clean contacts or replace control.</li> <li>3. Allow unit sufficient time for removal of latent heat.</li> <li>4. Plan or organize schedule to correct condition.</li> <li>5. Defrost evaporator coil.</li> <li>6. Determine location and remove.</li> <li>7. Clean condenser coil.</li> <li>8. Replace, evacuate and re-charge.</li> </ol>   |

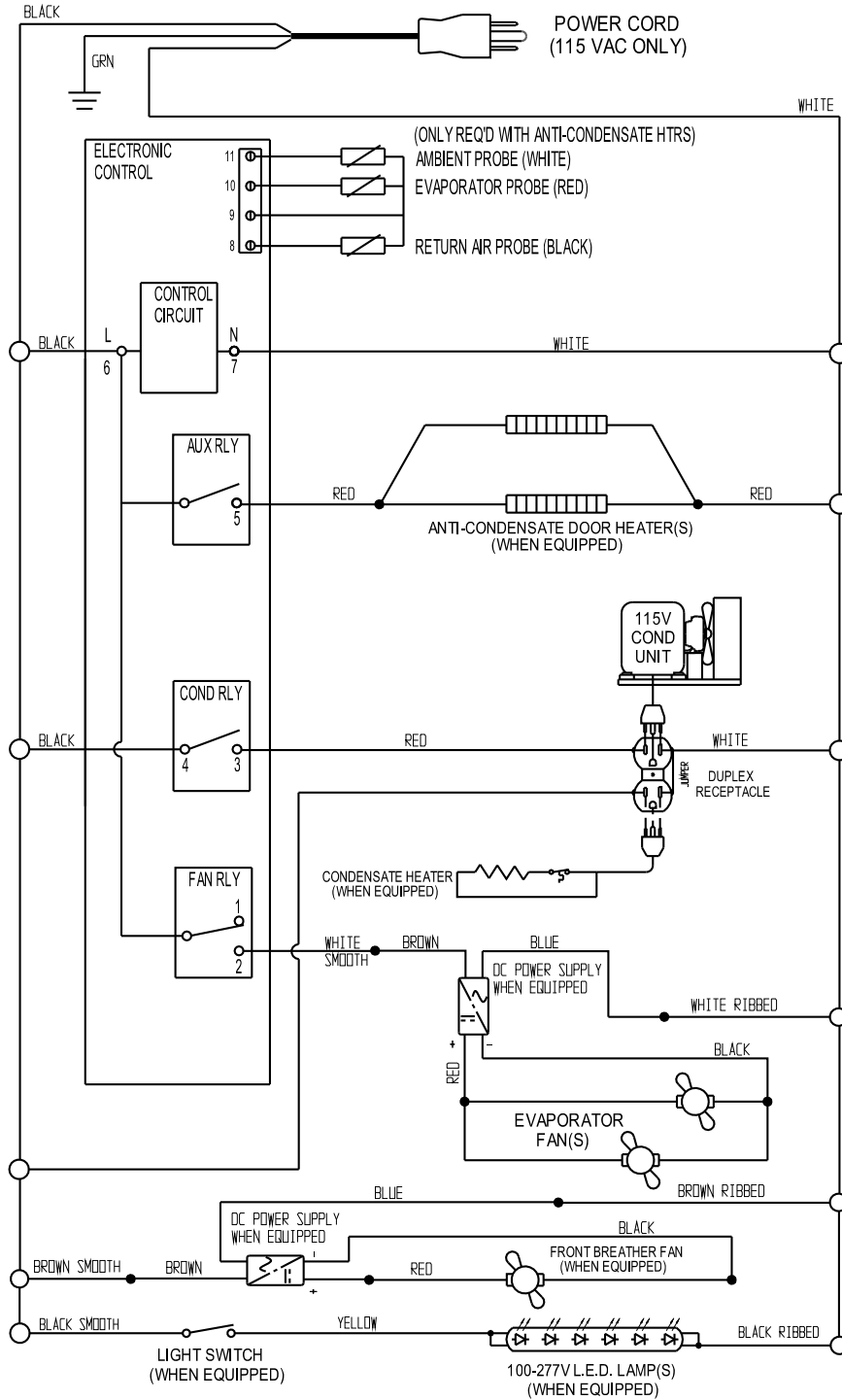


| PROBLEM  | PROBABLE CAUSE  | CORRECTION  |
|--|---|---|
| Start capacitor open, shorted or blown.              | <ol style="list-style-type: none"> <li>Relay contact not opening properly.</li> <li>Prolonged operation on start cycle:               <ol style="list-style-type: none"> <li>Low voltage to unit.</li> <li>Improper relay.</li> <li>Starting load too high.</li> </ol> </li> <li>Excessive short cycling.</li> <li>Improper capacitor.</li> </ol> | <ol style="list-style-type: none"> <li>Clean contacts or replace relay.</li> <li> <ol style="list-style-type: none"> <li>Determine reason and correct.</li> <li>Replace with correct relay.</li> <li>Correct by using pump down.</li> </ol> </li> <li>Determine reason for short cycle, see <b>Problem 5</b> and correct.</li> <li>Determine correct size and replace.</li> </ol> |
| Run capacitor open, shorted or blown.                | <ol style="list-style-type: none"> <li>Improper capacitor.</li> <li>Excessively high line voltage, over 110% of rated maximum.</li> </ol>   | <ol style="list-style-type: none"> <li>Check size and replace.</li> <li>Determine reason and correct.</li> </ol>  |
| Relay defective or blown out.                        | <ol style="list-style-type: none"> <li>Incorrect Relay.</li> <li>Incorrect mounting angle.</li> <li>Voltage too low or too high.</li> <li>Excessive short cycling.</li> <li>Loose or vibrating mounting position.</li> <li>Incorrect run capacitor.</li> <li>Loose wiring on relay or overload.</li> </ol>  | <ol style="list-style-type: none"> <li>Check relay and replace.</li> <li>Remount relay in correct position.</li> <li>Determine reason and correct.</li> <li>Determine reason and correct (see <b>Problem 5</b>).</li> <li>Remount rigidly.</li> <li>Replace with proper capacitor.</li> <li>Tighten all wiring screws.</li> </ol>   |
| Product zone temperature too high.                   | <ol style="list-style-type: none"> <li>Control setting too high.</li> <li>Inadequate air circulation.</li> <li>Dirty condenser.</li> </ol>  | <ol style="list-style-type: none"> <li>Adjust T-stat.</li> <li>Rearrange product load to improve air circulation.</li> <li>Clean condenser coil.</li> </ol>   |
| Suction line frosted or sweating.                    | <ol style="list-style-type: none"> <li>Overcharge of refrigerant.</li> <li>Evaporator fan not running.</li> <li>Expansion valve stuck open.</li> <li>Expansion valve superheat too low.</li> </ol>  | <ol style="list-style-type: none"> <li>Evacuate and re-charge.</li> <li>Determine reason and correct.</li> <li>Clean valve, evacuate and re-charge.</li> <li>Adjust superheat to required setting.</li> </ol>   |
| Liquid line frosted, cold or sweating.               | <ol style="list-style-type: none"> <li>Restriction in drier strainer.</li> <li>Liquid line service valve partially closed.</li> </ol>   | <ol style="list-style-type: none"> <li>Replace drier, evacuate and re-charge.</li> <li>Open valve fully or replace if necessary.</li> </ol>   |
| Noisy condensing unit.                               | <ol style="list-style-type: none"> <li>Loose parts or mounting.</li> <li>Tubing rattle or vibration.</li> <li>Bent fan blade causing excessive vibration.</li> <li>Fan bearings worn.</li> </ol>  | <ol style="list-style-type: none"> <li>Tighten all mounting parts and shroud cover.</li> <li>Reform tubing to be free of contact.</li> <li>Replace fan blade.</li> <li>Replace fan motor.</li> </ol>  |
| Thermometer reads different than actual temperature. | <ol style="list-style-type: none"> <li>Calibration.</li> <li>Defective.</li> </ol>  | <ol style="list-style-type: none"> <li>Consult Operations Manual and calibrate.</li> <li>Replace.</li> </ol>  |
| Water leak inside unit.                              | <ol style="list-style-type: none"> <li>Condensate drain pan not installed properly.</li> <li>Unit not level.</li> <li>Drain pan misaligned.</li> <li>Defective drain pan.</li> </ol>  | <ol style="list-style-type: none"> <li>Consult Operations Manual for install instructions.</li> <li>Make sure unit is level or pitched back slightly.</li> <li>Make sure drain pan is aligned properly.</li> <li>Replace.</li> </ol>  |
| Doors misaligned.                                    | <ol style="list-style-type: none"> <li>Shifted during shipping.</li> </ol>  | <ol style="list-style-type: none"> <li>Refer to Operation Manual for hinge adjustment.</li> </ol>   |

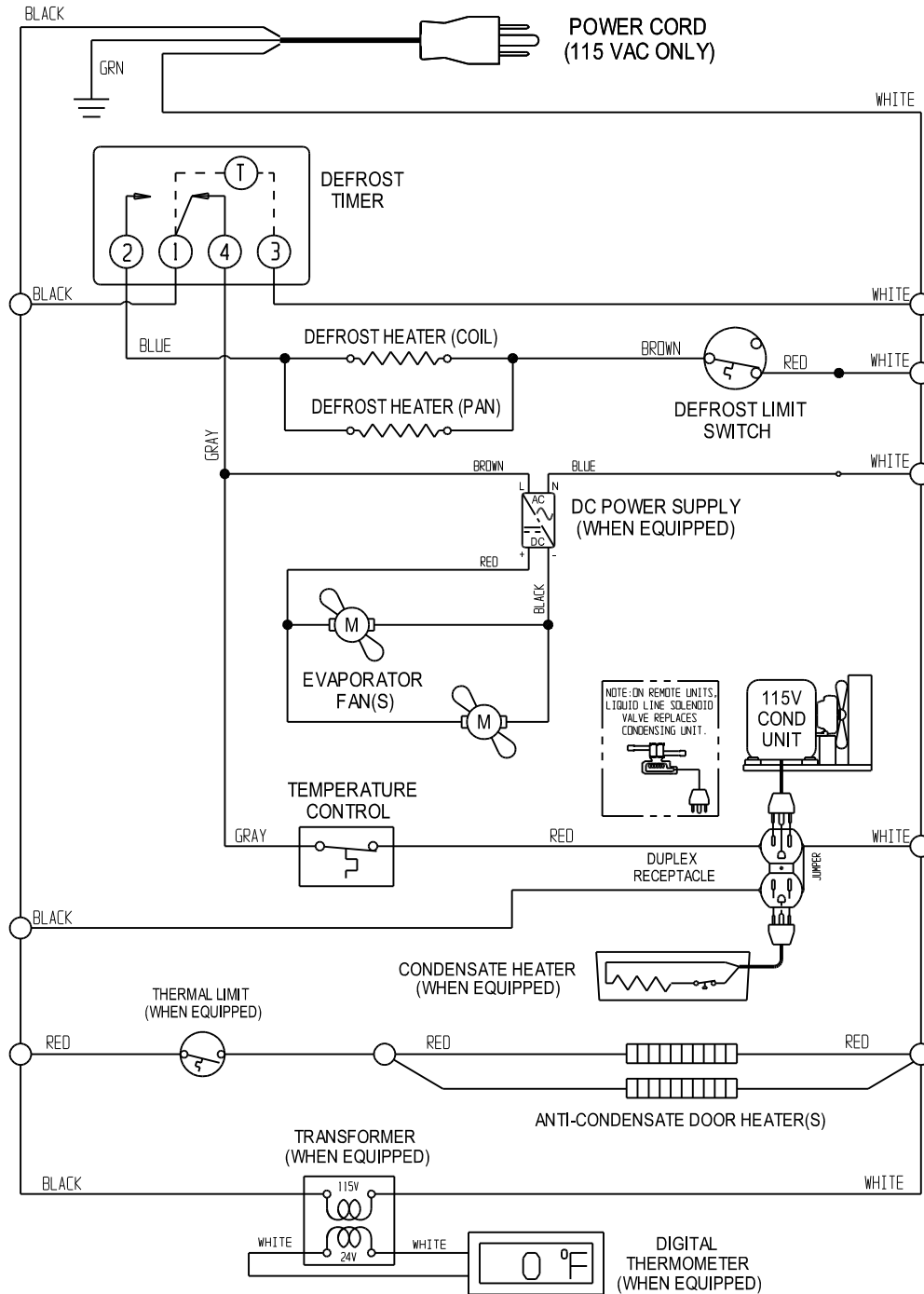
**BASE WORKTOP & SANDWICH UNIT REFRIGERATORS 115/60/1  
WD-R5 WIRING DIAGRAM**



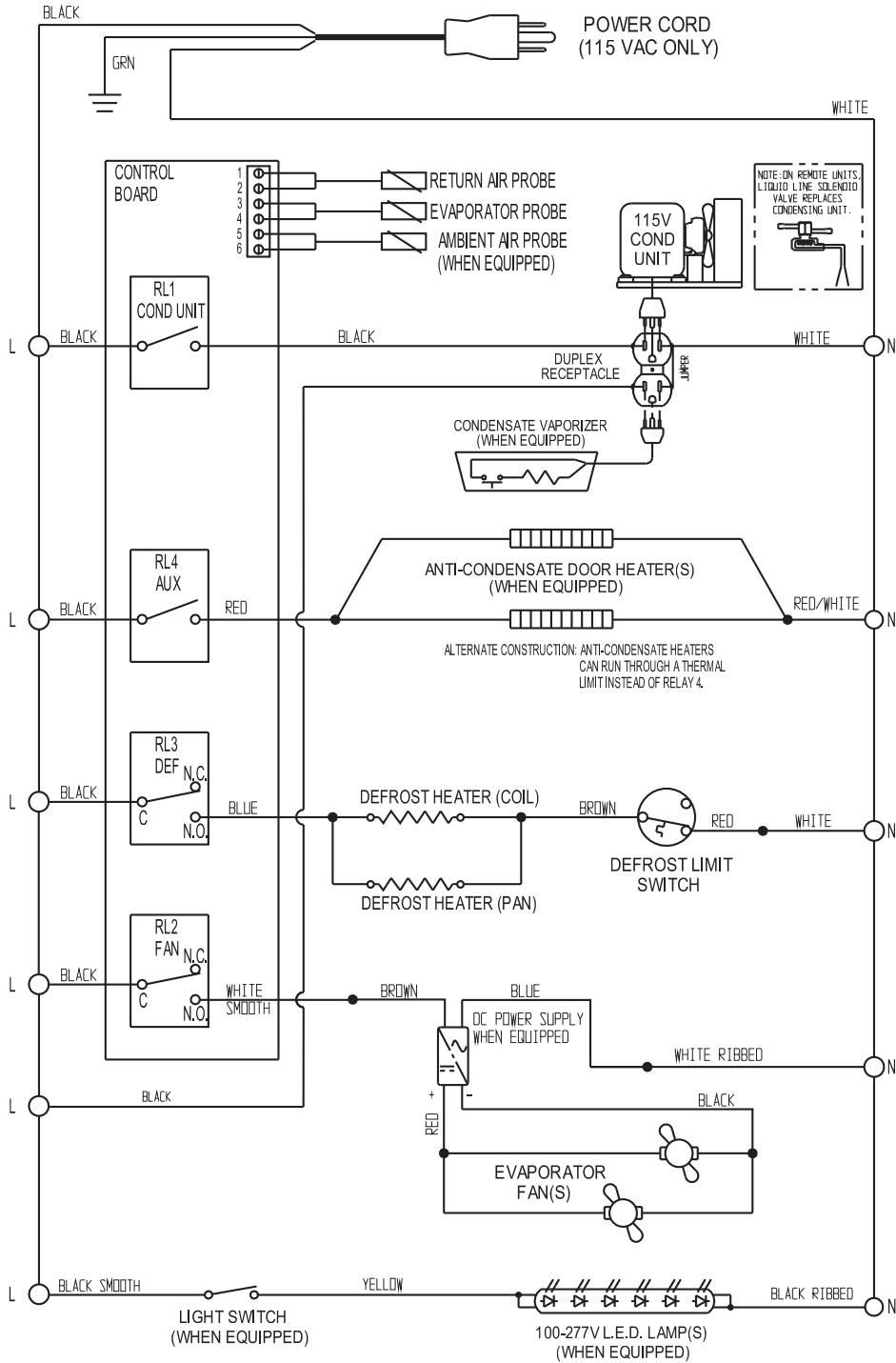
**BASE WORKTOP/SANDWICH UNIT/PIZZA PREP REFRIGERATORS 115/60/1  
W/ ELECTRONIC CONTROL WD-R5-EC WIRING DIAGRAM**



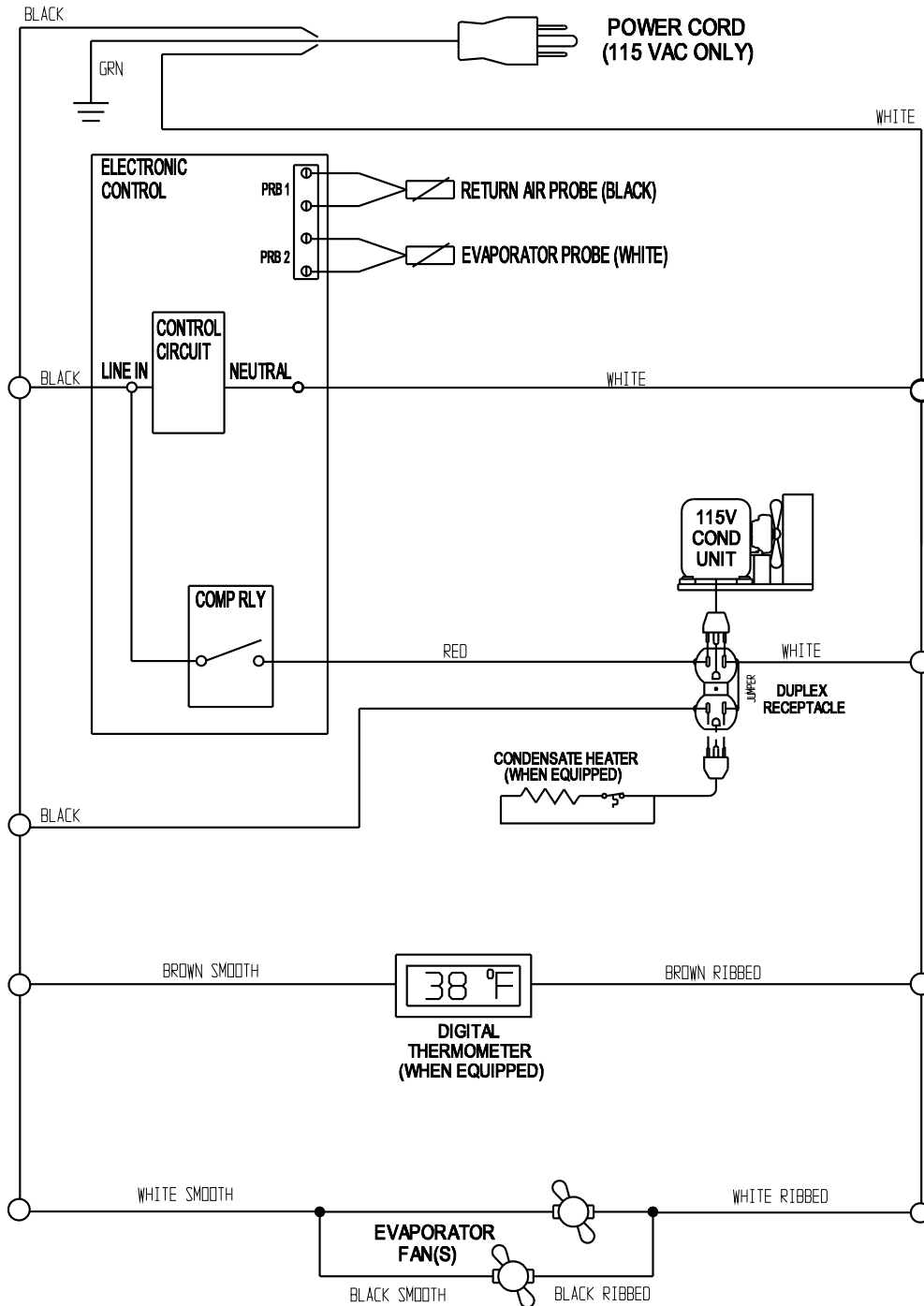
**BASE WORKTOP FREEZER 115/60/1  
WD-F5 WIRING DIAGRAM**



## BASE WORKTOP FREEZER 115/60/1 W/ SPLIT ELECTRONIC CONTROL WD-F5-EC-SP WIRING DIAGRAM



**UNDERCOUNTER REFRIGERATOR 115/60/1  
W/ STANDARD ELECTRONIC CONTROL WD-R5-EC-S-OT WIRING DIAGRAM**



**SEVEN (7) YEAR PARTS, LABOR AND COMPRESSOR WARRANTY**

National Refrigeration & Air Conditioning Products, Inc., d/b/a Continental Refrigerator, warrants to the original purchaser of every new Continental Refrigerator self-contained unit that all parts and equipment, including the R-290 compressor, are free from defects in material and workmanship, under normal use, proper maintenance and service for a period of seven (7) years from the date of installation, or eighty-seven (87) months from the date of shipment from Continental Refrigerator, whichever comes first. Normal use, proper maintenance and service refers specifically to the actions and descriptions detailed in the Continental Refrigerator Installation and Operations Manual. This warranty does not cover normal wear parts such as light bulbs and gaskets.

Improper operation due to incorrect installation, negligent or improper cleaning and maintenance, out-of-tolerance voltage conditions, inadequate wiring, and accidental damage are not manufacturing defects and not covered under this warranty. Purchasers must clean condenser coils regularly to avoid warranty voidance. The manual recommends monthly cleaning.

This warranty excludes adjustments such as cabinet leveling, hinge modifications, caster or leg adjustments, and control settings. This warranty excludes damage caused by water and/or moisture from other appliances, or damage due to improper cleaning. This warranty excludes equipment failure resulting from unauthorized modifications to the unit.

Continental Refrigerator will repair or replace, including labor, any defective part of the product. We reserve the right to inspect any claimed defect, and the warranty applies only if our examination finds the parts, equipment, or compressor defective. The use of non-authorized services or non-OEM parts voids the validity of this warranty. Defective parts must be returned to us within thirty (30) days. The return should include the cabinet model, serial number, and a return material authorization number provided by the manufacturer. This warranty does not cover any shipping costs.

The labor warranty covers self-contained units only, during standard working hours, and excludes overtime rates. Before employing labor, the purchaser must contact the factory for service authorization by calling directly or requesting service through our website. To be covered, purchasers must supply a labor invoice along with the service authorization number within thirty (30) days of the date of completion. In any event, all work must be completed within ninety (90) days of the service authorization date. This warranty does not cover special installations or applications, including those in remote locations. Any installation that requires additional work or travel to access the unit for service is the responsibility of the purchaser.

**THIS WARRANTY REPLACES ALL OTHER EXPRESS, IMPLIED, OR STATUTORY WARRANTIES, INCLUDING IMPLIED WARRANTIES OF MERCHANTABILITY AND FITNESS FOR A PARTICULAR PURPOSE, WHICH ARE HEREBY DISCLAIMED. WE DO NOT ASSUME, NOR AUTHORIZE OTHERS TO ASSUME, ANY OBLIGATION OR LIABILITY RELATED TO THE SALE OF THESE PRODUCTS.**

This warranty is valid only for the original purchaser and cannot be assigned.

This warranty is void outside the USA and Canada and does not cover misuse, neglect, alteration, accidents, or damage from transportation, flood, fire, acts of terrorism, acts of God, or natural disasters, as determined solely by Continental Refrigerator.

**CONTINENTAL REFRIGERATOR SHALL IN NO EVENT BE LIABLE FOR CONSEQUENTIAL OR SPECIAL DAMAGES, INCLUDING INDIRECT, PUNITIVE, LOSS OF USE, PRODUCT LOSS, DOWNTIME, OR LOST PROFITS, RELATED TO THE PRODUCT OR ITS USE. THE PURCHASER'S REMEDIES ARE EXCLUSIVE. CONTINENTAL REFRIGERATOR'S TOTAL LIABILITY WILL NOT EXCEED THE PURCHASE PRICE OF THE COMPONENT IN QUESTION, REGARDLESS OF CONTRACT, WARRANTY, NEGLIGENCE, INDEMNIFICATION, STRICT LIABILITY, TORT, OR OTHER GROUNDS.**

**See our Service Guideline at <http://www.continentalrefrigerator.com/service-parts/> for additional information regarding service and warranty coverage.**



# Continental<sup>®</sup>

Refrigerator

A Division of National Refrigeration & Air Conditioning Products, Inc.  
539 Dunksferry Road • Bensalem, PA 19020-5908  
P 215-244-1400 • 1-800-523-7138 • F 215-244-9579  
[www.continentalrefrigerator.com](http://www.continentalrefrigerator.com)

