



---

# FRONT-LOADING AUTOMATIC WASHER

## Use & Care Guide

For questions about features, operation/performance, parts, accessories or service, call: **1-800-688-9900**

In Canada, call: **1-800-688-2002** or visit our website at...

[www.maytag.com](http://www.maytag.com) or [www.maytag.ca](http://www.maytag.ca)

---

# LAVADORA AUTOMÁTICA DE CARGA FRONTAL

## Guía de uso y cuidado

Si tiene preguntas respecto a las características, funcionamiento/rendimiento, partes, accesorios o servicio técnico, llame al: **1-800-688-9900**

En Canadá, llame al: **1-800-688-2002** o visite nuestro sitio web en...

[www.maytag.com](http://www.maytag.com) o [www.maytag.ca](http://www.maytag.ca)

---

# LAVEUSE AUTOMATIQUE À CHARGEMENT FRONTAL

## Guide d'utilisation et d'entretien

Au Canada, pour assistance composez le **1-800-688-2002** ou visitez notre site web à...

[www.maytag.ca](http://www.maytag.ca)

---

Table of Contents/Índice/Table des matières ..... 2



# TABLE OF CONTENTS

|  |           |
|--|-----------|
| <b>WASHER SAFETY</b> .....                   | <b>3</b>  |
| <b>INSTALLATION REQUIREMENTS</b> .....       | <b>4</b>  |
| Tools and Parts .....                        | 4         |
| Options .....                                | 4         |
| Location Requirements .....                  | 5         |
| Drain System .....                           | 6         |
| Electrical Requirements .....                | 7         |
| <b>INSTALLATION INSTRUCTIONS</b> .....       | <b>7</b>  |
| Remove Transport System .....                | 7         |
| Connect the Inlet Hoses .....                | 8         |
| Route the Drain Hose .....                   | 8         |
| Secure the Drain Hose .....                  | 9         |
| Level the Washer .....                       | 9         |
| Complete Installation .....                  | 9         |
| <b>FEATURES AND BENEFITS</b> .....           | <b>10</b> |
| <b>WASHER USE</b> .....                      | <b>11</b> |
| Starting Your Washer .....                   | 11        |
| Using the Proper Detergent .....             | 11        |
| Using the Dispenser .....                    | 12        |
| Pausing or Restarting .....                  | 13        |
| Changing Cycles, Options and Modifiers ..... | 13        |
| Status Lights .....                          | 13        |
| Cycles .....                                 | 14        |
| Options .....                                | 16        |
| Modifiers .....                              | 16        |
| Laundry Guide .....                          | 17        |
| <b>LAUNDRY TIPS</b> .....                    | <b>18</b> |
| Loading .....                                | 18        |
| <b>WASHER CARE</b> .....                     | <b>19</b> |
| Cleaning Your Washer .....                   | 19        |
| Water Inlet Hoses .....                      | 19        |
| Vacation, Storage, and Moving Care .....     | 19        |
| <b>TROUBLESHOOTING</b> .....                 | <b>20</b> |
| <b>ASSISTANCE OR SERVICE</b> .....           | <b>23</b> |
| In the U.S.A. ....                           | 23        |
| In Canada .....                              | 23        |
| <b>WARRANTY</b> .....                        | <b>24</b> |

|  |           |
|--|-----------|
| Cómo hacer una pausa o reanudar la marcha .....                          | 36        |
| Cambio de ciclos, opciones y modificadores .....                         | 36        |
| Luces de estado .....  | 37        |
| Ciclos .....   | 37        |
| Opciones .....   | 39        |
| Modificadores .....  | 40        |
| Guía para el lavado .....  | 41        |
| <b>CONSEJOS DE LAVANDERÍA</b> .....                                      | <b>42</b> |
| Cómo cargar .....  | 42        |
| <b>CUIDADO DE LA LAVADORA</b> .....                                      | <b>42</b> |
| Cómo limpiar su lavadora .....   | 42        |
| Mangueras de entrada de agua .....                                       | 43        |
| Cuidado para las vacaciones,<br>el almacenaje o en caso de mudanza ..... | 43        |
| <b>SOLUCIÓN DE PROBLEMAS</b> .....                                       | <b>44</b> |
| <b>AYUDA O SERVICIO TÉCNICO</b> .....                                    | <b>47</b> |
| En los EE.UU. ....   | 47        |
| En Canadá .....  | 47        |
| <b>GARANTÍA</b> .....  | <b>48</b> |

# TABLE DES MATIÈRES

|  |           |
|--|-----------|
| <b>SÉCURITÉ DE LA LAVEUSE</b> .....  | <b>49</b> |
| <b>EXIGENCES D'INSTALLATION</b> .....  | <b>50</b> |
| Outillage et pièces .....  | 50        |
| Options .....  | 50        |
| Exigences d'emplacement .....  | 51        |
| Système de vidange .....   | 52        |
| Spécifications électriques .....   | 53        |
| <b>INSTRUCTIONS D'INSTALLATION</b> .....   | <b>53</b> |
| Élimination des accessoires de transport .....                                       | 53        |
| Raccordement des tuyaux d'alimentation .....   | 54        |
| Acheminement du tuyau de vidange .....   | 54        |
| Immobilisation du tuyau de vidange .....   | 55        |
| Réglage de l'aplomb de la laveuse .....  | 55        |
| Achever l'installation .....   | 55        |
| <b>CARACTÉRISTIQUES ET AVANTAGES</b> .....   | <b>56</b> |
| <b>UTILISATION DE LA LAVEUSE</b> .....   | <b>57</b> |
| Mise en marche de la laveuse .....   | 57        |
| Utilisation du détergent approprié .....   | 57        |
| Utilisation du distributeur .....  | 58        |
| Pause ou remise en marche .....  | 59        |
| Changement des programmes, options et modificateurs .....                            | 59        |
| Témoins lumineux .....   | 60        |
| Programmes .....   | 60        |
| Options .....  | 62        |
| Modificateurs .....  | 63        |
| Guide de lessivage .....   | 64        |
| <b>CONSEILS DE LESSIVAGE</b> .....   | <b>65</b> |
| Chargement .....   | 65        |
| <b>ENTRETIEN DE LA LAVEUSE</b> .....   | <b>65</b> |
| Nettoyage de la laveuse .....  | 65        |
| Tuyaux d'arrivée d'eau .....   | 66        |
| Précautions à prendre avant les vacances,<br>un entreposage ou un déménagement ..... | 66        |
| <b>DÉPANNAGE</b> .....   | <b>67</b> |
| <b>ASSISTANCE OU SERVICE</b> .....   | <b>70</b> |
| Aux États-Unis .....   | 70        |
| Au Canada .....  | 70        |
| <b>GARANTIE</b> .....  | <b>71</b> |

# ÍNDICE

|   |           |
|---|-----------|
| <b>SEGURIDAD DE LA LAVADORA</b> .....       | <b>26</b> |
| <b>REQUISITOS DE INSTALACIÓN</b> .....      | <b>27</b> |
| Herramientas y piezas .....                 | 27        |
| Opciones .....                              | 27        |
| Requisitos de ubicación .....               | 28        |
| Sistema de desagüe .....                    | 29        |
| Requisitos eléctricos .....                 | 30        |
| <b>INSTRUCCIONES DE INSTALACIÓN</b> .....   | <b>30</b> |
| Eliminación del sistema de transporte ..... | 30        |
| Conexión de las mangueras de entrada .....  | 31        |
| Tendido de la manguera de desagüe .....     | 31        |
| Fijación de la manguera de desagüe .....    | 32        |
| Nivelación de la lavadora .....             | 32        |
| Complete la instalación .....               | 32        |
| <b>CARACTERÍSTICAS Y BENEFICIOS</b> .....   | <b>33</b> |
| <b>USO DE LA LAVADORA</b> .....             | <b>34</b> |
| Puesta en marcha de la lavadora .....       | 34        |
| Uso de detergente adecuado .....            | 34        |
| Uso del depósito .....                      | 35        |

# WASHER SAFETY

## Your safety and the safety of others are very important.

We have provided many important safety messages in this manual and on your appliance. Always read and obey all safety messages.



This is the safety alert symbol.

This symbol alerts you to potential hazards that can kill or hurt you and others.

All safety messages will follow the safety alert symbol and either the word “DANGER” or “WARNING.”

These words mean:

**⚠ DANGER**

You can be killed or seriously injured if you don't immediately follow instructions.

**⚠ WARNING**

You can be killed or seriously injured if you don't follow instructions.

All safety messages will tell you what the potential hazard is, tell you how to reduce the chance of injury, and tell you what can happen if the instructions are not followed.

## IMPORTANT SAFETY INSTRUCTIONS

**WARNING:** To reduce the risk of fire, electric shock, or injury to persons when using the washer, follow basic precautions, including the following:

- Read all instructions before using the washer.
- Do not wash articles that have been previously cleaned in, washed in, soaked in, or spotted with gasoline, dry-cleaning solvents, other flammable, or explosive substances as they give off vapors that could ignite or explode.
- Do not add gasoline, dry-cleaning solvents, or other flammable, or explosive substances to the wash water. These substances give off vapors that could ignite or explode.
- Under certain conditions, hydrogen gas may be produced in a hot water system that has not been used for 2 weeks or more. **HYDROGEN GAS IS EXPLOSIVE.** If the hot water system has not been used for such a period, before using the washing machine, turn on all hot water faucets and let the water flow from each for several minutes. This will release any accumulated hydrogen gas. As the gas is flammable, do not smoke or use an open flame during this time.
- Do not allow children to play on or in the washer. Close supervision of children is necessary when the washer is used near children.
- Before the washer is removed from service or discarded, remove the door or lid.
- Do not reach into the washer if the drum, tub or agitator is moving.
- Do not install or store the washer where it will be exposed to the weather.
- Do not tamper with controls.
- Do not repair or replace any part of the washer or attempt any servicing unless specifically recommended in this manual or in published user-repair instructions that you understand and have the skills to carry out.
- See “Electrical Requirements” for grounding instructions.

**SAVE THESE INSTRUCTIONS**

# INSTALLATION REQUIREMENTS

## Tools and Parts

Gather the required tools and parts before starting installation. The parts supplied are in the washer drum.

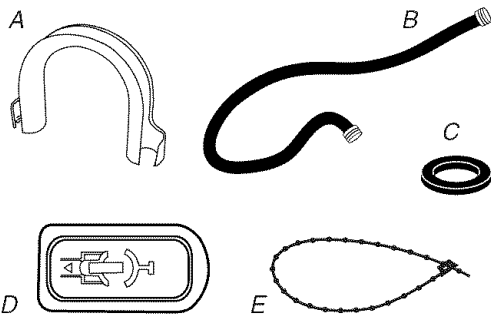
### Tools needed for connecting the water inlet hoses

- Pliers (that open to 1 $\frac{1}{16}$ " [39.5 mm])
- Flashlight (optional)

### Tools needed for installation

- Open end wrenches 17 mm and 13 mm
- Level
- Wood block
- Ruler or measuring tape

### Parts supplied:



- A. Drain hose form  
 B. Inlet hose (2)  
 C. Inlet hose washer (4)  
 D. Transport bolt hole plug (4)  
 E. Beaded strap

### Alternate Parts

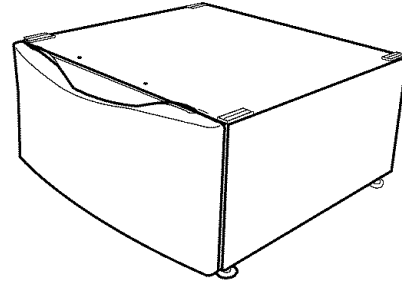
Your installation may require additional parts. If you are interested in purchasing one of the items listed here, call the toll-free number on the cover or in the "Assistance or Service" section.

| If You Have                                      | You Will Need to Buy  |
|--|---|
| Laundry tub or standpipe taller than 96" (2.4 m) | Sump pump system (if not already available)   |
| Overhead sewer                                   | Standard 20 gal. (76 L), 30" (76.2 cm) tall drain tub or utility sink and sump pump (available from local plumbing suppliers) |
| Floor drain                                      | Siphon break, Part Number 285834; additional drain hose Part Number 8318155; and connector kit, Part Number 285835            |
| Drain hose too short                             | 4 ft (1.2 m) drain hose extension kit, Part Number 285863   |
| Water faucets beyond reach of fill hoses         | 2 longer water fill hoses:<br>6 ft (1.8 m) Part Number 76314,<br>10 ft (3.0 m) Part Number 350008                             |

## Options

### Pedestal

A pedestal will add to the total height of the washer for a total height of 53.5" (135.9 cm).



Optional pedestal

To order, call the dealer from whom you purchased your washer or refer to the "Assistance or Service" section of this manual.

| Pedestal Height | Color | Part Number |
|-----------------|-------|-------------|
| 15.5" (39.4 cm) | White | WHP1500SQ   |
| 15.5" (39.4 cm) | Black | WHP1500SB   |

### Stack Kit

Are you planning to stack your Maytag washer and dryer? To do so you will need to purchase a Stack Kit.

To order, call the dealer from whom you purchased your dryer or refer to the "Assistance or Service" section of this manual. Ask for Part Number 8541503.

## Location Requirements

Selecting the proper location for your washer improves performance and minimizes noise and possible washer “walk.”

Your washer can be installed under a custom counter, or in a basement, laundry room, closet, or recessed area. See “Drain System.”

Companion appliance location requirements should also be considered. Proper installation is your responsibility.

### You will need

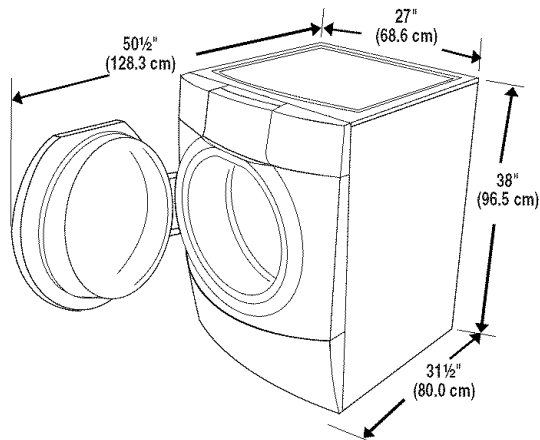
- A water heater set to deliver 120°F (49°C) water to the washer.
- A grounded electrical outlet located within 6 ft (1.8 m) of where the power cord is attached to the back of the washer. See “Electrical Requirements.”
- Hot and cold water faucets located within 4 ft (1.2 m) of the hot and cold water fill valves, and water pressure of 20-100 psi (137.9-689.6 kPa).
- A level floor with a maximum slope of 1" (2.5 cm) under entire washer. Installing the washer on soft floor surfaces, such as carpets or surfaces with foam backing, is not recommended.
- A sturdy and solid floor to support the washer with a total weight (water and load) of 400 lbs (180 kg).

Do not operate your washer in temperatures below 32°F (0°C). Some water can remain in the washer and can cause damage in low temperatures.

### Installation clearances

- The location must be large enough to allow the washer door to be fully opened.
- Additional spacing should be considered for ease of installation and servicing.
- Additional clearances might be required for wall, door, and floor moldings.
- Additional spacing of 1" (2.5 cm) on all sides of the washer is recommended to reduce noise transfer.
- Companion appliance spacing should also be considered.

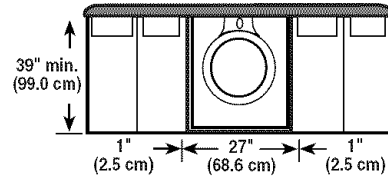
### Washer Dimensions



### Recommended installation spacing for custom undercounter installation

The dimensions shown are for the recommended spacing.

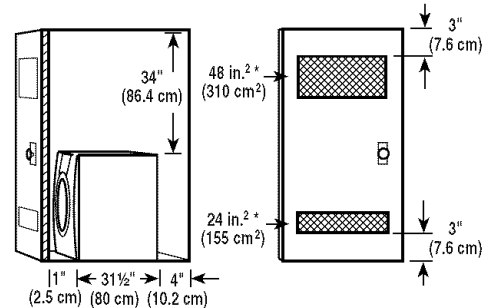
#### Custom undercounter installation - Washer only



### Recommended installation spacing for recessed or closet installation, with or without a pedestal

The dimensions shown are for the recommended spacing.

#### Recessed area or closet installation



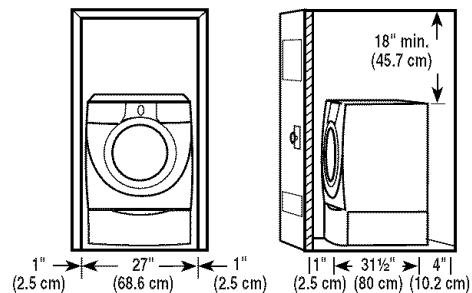
A

B

A. Side view - closet or confined area

B. Closet door with vents

#### Recessed or closet installation - Washer on pedestal



A

B

A. Recessed area

B. Side view - closet or confined area



## Electrical Requirements

### **⚠ WARNING**



#### Electrical Shock Hazard

Plug into a grounded 3 prong outlet.

Do not remove ground prong.

Do not use an adapter.

Do not use an extension cord.

Failure to follow these instructions can result in death, fire, or electrical shock.

- A 120-volt, 60-Hz., AC-only, 15- or 20-amp, fused electrical supply is required. Time-delay fuse or circuit breaker is recommended. It is recommended that a separate circuit serving only this appliance be provided.
- This washer is equipped with a power supply cord having a 3 prong grounding plug.
- To minimize possible shock hazard, the cord must be plugged into a mating, 3 prong, grounding-type outlet, grounded in accordance with local codes and ordinances. If a mating outlet is not available, it is the personal responsibility and obligation of the customer to have the properly grounded outlet installed by a qualified electrician.
- If codes permit and a separate ground wire is used, it is recommended that a qualified electrician determine that the ground path is adequate.

- Do not ground to a gas pipe.
- Check with a qualified electrician if you are not sure the washer is properly grounded.
- Do not have a fuse in the neutral or ground circuit.

### GROUNDING INSTRUCTIONS

#### For a grounded, cord-connected washer:

This washer must be grounded. In the event of a malfunction or breakdown, grounding will reduce the risk of electrical shock by providing a path of least resistance for electric current. This washer is equipped with a cord having an equipment-grounding conductor and a grounding plug. The plug must be plugged into an appropriate outlet that is properly installed and grounded in accordance with all local codes and ordinances.

**WARNING:** Improper connection of the equipment-grounding conductor can result in a risk of electric shock. Check with a qualified electrician or serviceman if you are in doubt as to whether the appliance is properly grounded.

Do not modify the plug provided with the appliance – if it will not fit the outlet, have a proper outlet installed by a qualified electrician.

#### For a permanently connected washer:

This washer must be connected to a grounded metal, permanent wiring system, or an equipment grounding conductor must be run with the circuit conductors and connected to the equipment-grounding terminal or lead on the appliance.

## INSTALLATION INSTRUCTIONS

### Remove Transport System

### **⚠ WARNING**

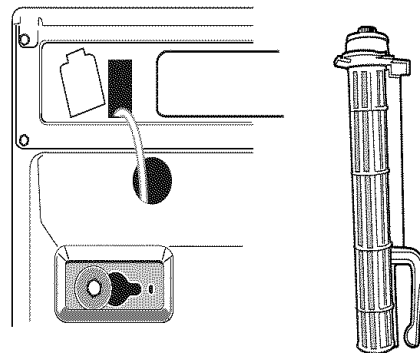
#### Excessive Weight Hazard

Use two or more people to move and install washer.

Failure to do so can result in back or other injury.

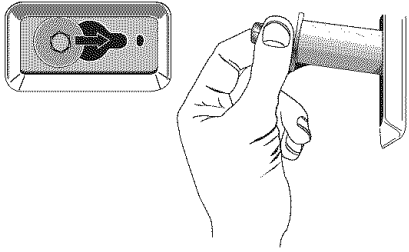
**IMPORTANT:** Position the washer so that the rear of the washer is within approximately 3 ft (90 cm) of its final location.

There are 4 bolts in the rear panel of the washer that support the suspension system during transportation. These bolts also retain the power cord inside the washer until the bolts are removed.



1. Using a 13 mm wrench, loosen each of the bolts.

- Once the bolt is loose, move it to the center of the hole and completely pull out the bolt, including the plastic spacer covering the bolt.

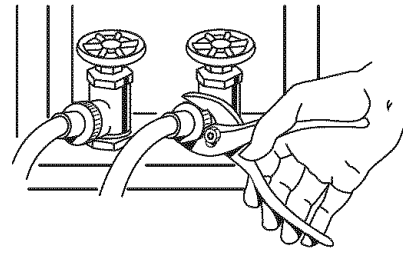


- Once all 4 bolts are removed discard bolt and spacers. Then pull the power cord through the opening of the rear panel and close the hole with the attached cap.

- Close the bolt holes with the 4 transport bolt hole plugs.

**NOTE:** If the washer is to be transported at a later date, call your local service center. To avoid suspension and structural damage to your washer, it must be properly set up for relocation by a certified technician.

- Using pliers, tighten the couplings with an additional two-thirds turn.



**NOTE:** Do not overtighten. Damage to the coupling can result.

- Turn on the water faucets and check for leaks.

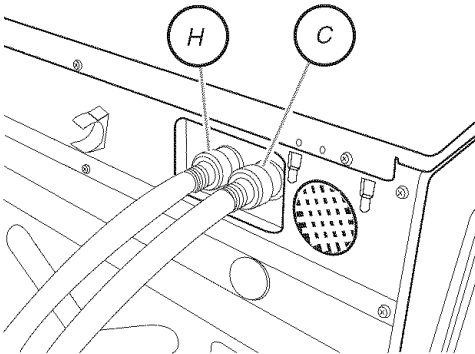
**NOTE:** Replace inlet hoses after 5 years of use to reduce the risk of hose failure. Record hose installation or replacement dates on the hoses for future reference.

Periodically inspect and replace hoses if bulges, kinks, cuts, wear, or leaks are found.

## Connect the Inlet Hoses

Make sure the washer drum is empty.

- Attach the hose with the red color indicator to the Hot (left) inlet valve. Attaching the red coupling first makes it easier to tighten connection with pliers. Screw on coupling by hand until it is seated on the washer.
- Attach the hose with the blue color indicator to the Cold (right) water inlet valve. Screw on coupling by hand until it is seated on the washer.



H. Hot water inlet  
C. Cold water inlet

- Using pliers, check the tightness of the hose couplings already attached to the washer.

**NOTE:** Do not overtighten. Damage to the coupling can result.

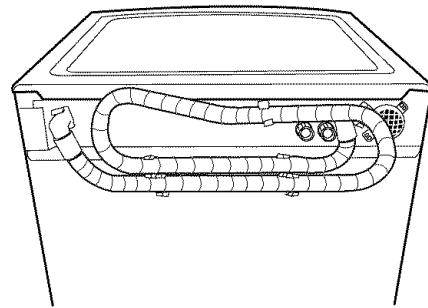
- Attach the hose with the red color indicator to the hot water faucet. Screw on coupling by hand until it is seated on the washer.
- Attach the hose with the blue color indicator to the cold water faucet. Screw on coupling by hand until it is seated on the washer.

## Route the Drain Hose

Proper routing of the drain hose protects your floors from damage due to water leakage. Read and follow these instructions.

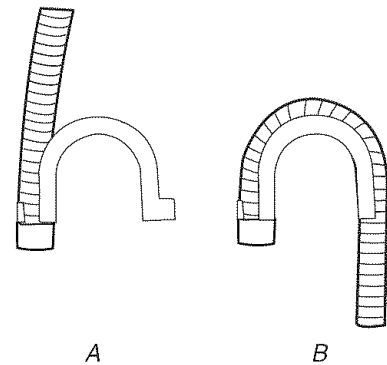
### Remove drain hose from washer cabinet

Gently pull the corrugated drain hose from the shipping clips.



### Laundry tub drain or standpipe drain

Connect the drain hose form to the corrugated drain hose.



A. Snap either end of the drain hose form to the drain hose at the point where the corrugation begins.

B. Bend drain hose over drain hose form and snap into place.

### To keep drain water from going back into the washer:

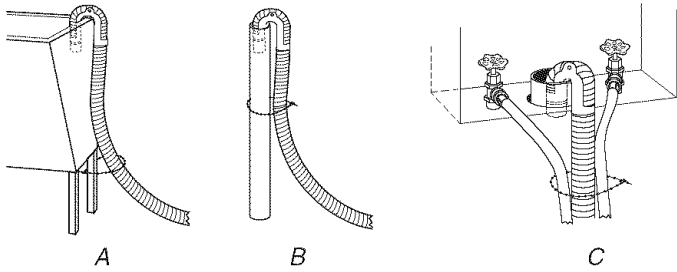
- Do not straighten the drain hose, and do not force excess drain hose into standpipe. Hose should be secure, but loose enough to provide a gap for air.
- Do not lay excess hose on the bottom of the laundry tub.

### Floor drain

You may need additional parts. See Floor drain under "Tools and Parts."

## Secure the Drain Hose

1. Drape the power cord over the washer top.
2. Secure the drain hose to the laundry tub leg or standpipe with the beaded strap provided. (See illustrations A and B.)



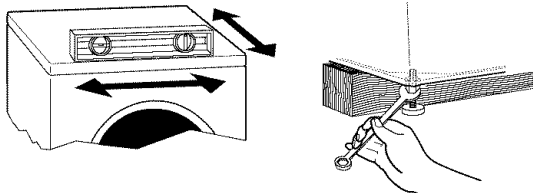
If the washer faucets and the drain standpipe are recessed (see illustration C), put the hooked end of the drain hose in the standpipe. Tightly wrap the beaded strap around the water inlet hoses and the drain hose.

Do not force excess drain hose into the standpipe.

## Level the Washer

Properly leveling your washer avoids excessive noise and vibration.

1. Check the levelness of the washer by placing a level on the top edge of the washer, first side to side, then front to back.



If the washer is against a wall, move the washer out slightly before tipping back. If the washer is not level, first prop the front with a wood block and adjust the feet as necessary; then prop the back and adjust feet as necessary. Repeat this step until washer is level.

2. Make sure all four feet are stable and resting on the floor. Then check that the appliance is perfectly level (use a level).
3. After the washer is level, use a 17 mm open-end wrench to turn the nuts on the feet tightly against the washer cabinet.  
**IMPORTANT:** All four feet must be tightened. If the nuts are not tight against the washer cabinet, the washer may vibrate.
4. The washer should not move front to back, side to side, or diagonally when pushed on its top edges.
5. Slide the washer to its final location.
6. Confirm the levelness of the washer.

## Complete Installation

1. Check the electrical requirements. Be sure that you have the correct electrical supply and the recommended grounding method. See "Electrical Requirements."
2. Check that all parts are now installed. If there is an extra part, go back through the steps to see which step was skipped.
3. Check that you have all of your tools.
4. Dispose of/recycle all packaging materials.
5. Check that the water faucets are on.
6. Check for leaks around faucets and inlet hoses.

## ! WARNING



### Electrical Shock Hazard

Plug into a grounded 3 prong outlet.

Do not remove ground prong.

Do not use an adapter.

Do not use an extension cord.

Failure to follow these instructions can result in death, fire, or electrical shock.

7. Plug into a grounded 3 prong outlet.
8. Read "Washer Use."
9. To test and to clean your washer, measure  $\frac{1}{2}$  the detergent manufacturer's recommended amount of HE High Efficiency detergent for a medium-size load. Pour the detergent into the detergent dispenser. Select NORMAL/CASUAL, and then select HOLD TO START. Allow the washer to complete one whole cycle.



Use only HE High Efficiency detergent.

---

# FEATURES AND BENEFITS

## Electronic Controls

Flexible electronic controls are easy to use whether you are a beginner or an expert.

## Smart Dispensers

The Smart Dispensers make your washer truly automatic. This washer provides a four-compartment dispenser which includes separate compartments for main wash detergent, fabric softener, bleach, and auto prewash or auto soak. The dispenser has large pour zones, is self-cleaning, and can be easily removed. Laundry additives are diluted with fresh water and added to the load at the proper time in the wash cycle.

## Auto Water Level

This washer automatically adjusts water level for best cleaning and rinsing performance. Two sensors determine load size, load composition, and suds level, then the sensors adjust the water level to the proper setting. This eliminates guesswork. The water level is just right for every wash load size.

## Larger Load Size

Since there is no agitator, you can wash larger, bulkier items such as a king-sized bedspread. You are also able to wash more clothes at one time, which means fewer loads.

## Suspension System

To reduce washer “walk” and “off-balance” conditions, your new washer combines:

- 2 Springs to isolate vibration
- 4 Shock absorbers at the washer base to minimize movement

## Stainless Steel Drum

The stainless steel drum eliminates corrosion and enables higher spin speeds for more water extraction, reducing drying time.

## High-Efficiency Wash System

Your new front-loading, high-efficiency washer saves time with fewer, larger loads, and lowers your water and energy bills by helping conserve resources.

## Spin Speeds

This washer automatically selects the spin speed based on the cycle selected. This factory setting can be changed, however. This washer offers up to five different spin speed choices.

## Heating Element

This washer has a heating element that automatically heats the water to the best temperature on select cycles. This enables stepped cleaning, a process in which warm water is brought in and mixed with detergent first, then the water is heated. The warm water cleans stains such as blood and eggs, and the heated water removes oily stains such as perspiration and dirty mechanical oil. This heater is active in the Sanitary, Whitest Whites and Heavy Duty cycles.

## Automatic Temperature Control

The automatic temperature control electronically senses and maintains a uniform water temperature. Automatic temperature control regulates incoming hot and cold water. Automatic temperature control is automatically turned On when a cycle is selected.

## Add A Garment

When this option is available at the beginning of the cycle the Add A Garment status light will glow for the first 8 minutes. This washer allows an 8-minute period in which forgotten garments may be added to a load.

## Special Cleaning Action with Direct Injection

This washer channels 100% of the water through the dispensers to assure thorough rinse-out and mixture of all the additives before they touch any garments. The water is then sprayed from the top front onto the center of the load, providing even distribution and optimum cleaning performance. It is normal for small amounts of water to remain in the dispensers when the wash cycle is complete.

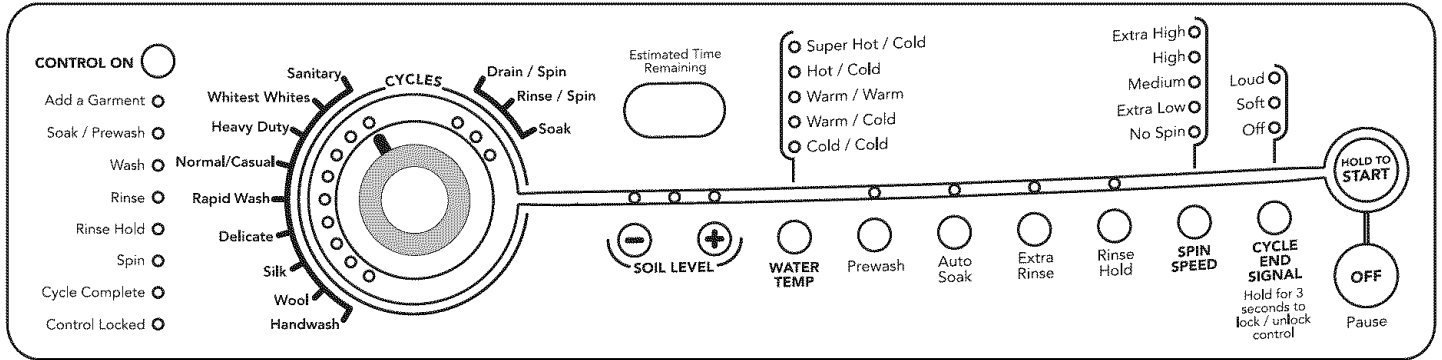
## Efficient Detergent System

This washer has a specially designed valve that closes during the wash portion of the cycle so that 100% of the water and detergent mixture is used on the load. The Efficient Detergent System ensures that no water or detergent is wasted.

## Dynamic Off-Balance Detection

This washer uses two sensors to detect load size and the amount of off-balance within the load. The suspension system and controls are specially designed to redistribute the load automatically.

# WASHER USE



**NOTE:** The panel shown above may be different from that of your model.

## Starting Your Washer

### ⚠ WARNING



#### Fire Hazard

**Never place items in the washer that are dampened with gasoline or other flammable fluids.**

**No washer can completely remove oil.**

**Do not dry anything that has ever had any type of oil on it (including cooking oils).**

**Doing so can result in death, explosion, or fire.**

**WARNING:** To reduce the risk of fire, electric shock, or injury to persons, read the IMPORTANT SAFETY INSTRUCTIONS before operating this appliance.

The following is a guide to using your washer. Please refer to specific sections of this manual for more detailed information.

Do not store laundry additives on the top surface of this washer. Vibration is normal during operation.

## Using the Proper Detergent

Use only High Efficiency detergents. The package for this type of detergent will be marked "HE" or "High Efficiency." This wash system, along with less water, will create too much sudsing with a regular non-HE detergent. Using regular detergent will likely result in washer errors, longer cycle times and reduced rinsing performance. It may also result in component failures and noticeable mold or mildew. HE detergents are made to produce the right amount of suds for the best performance. Follow the manufacturer's instructions to determine the amount of detergent to use.



Use only HE High Efficiency detergent.

## First Wash Cycle Without Laundry

Before washing clothes for the first time, if not completed during the final installation step, choose the Normal/Casual cycle and run it without clothes. Use only HE High Efficiency detergent. Use ½ the manufacturer's recommended amount for a medium-size load. This initial cycle serves to ensure the interior is clean before washing clothes.

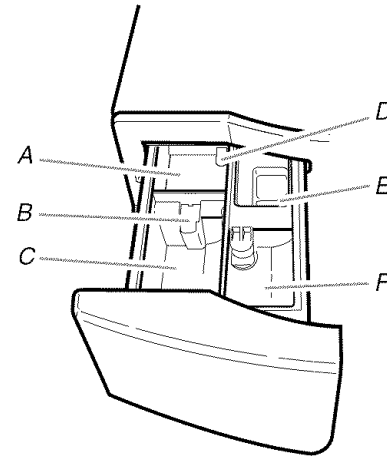
## For All Wash Cycles

- Open the washer door by pulling on the handle. Sort laundry according to color and type of fabric. Place a load of sorted clothes in the washer. Do not overload washer. Overloading can cause poor cleaning.
  - The washer can be fully loaded, but not tightly packed. Washer door should close easily.
  - Mix large and small items and avoid washing single items. Load evenly.
  - It is recommended that you wash small items such as infant socks in a mesh garment bag.
  - When unloading garments, occasionally check under the rubber rim at the front of the tub for small items.
- Close the washer door by pushing it firmly until the lock clicks. The washer door will remain locked during the wash cycle.
 

**NOTE:** After any wash cycle is completed, the door must be opened and then closed before a new cycle can begin. The door can be opened only if PAUSE/OFF is selected while the ADD A GARMENT light is glowing or if the cycle has been canceled. See "To cancel a cycle."
- Open the dispenser drawer and add laundry additives to the detergent, bleach, or fabric softener compartments. Close drawer slowly to avoid spills. See "Using the Dispenser."
- Turn on the washer by selecting CONTROL ON. Select one of the cycles by turning the cycle selector. The indicator light for the selected cycle will glow. When selecting a wash cycle, the preset Options, Water Temp, Spin Speed, and Soil Level for the selected cycle will glow. The display shows the estimated time remaining. The preset settings provide the recommended fabric care for the selected cycle. See "Cycles."
- Select the desired Options, such as Prewash, Auto Soak, Extra Rinse and Rinse Hold. Not all options are available with all cycles. See "Options."

6. Select the desired Modifiers, such as Soil Level, Water Temp, Spin Speed and Cycle End Signal. Not all modifiers are available with all cycles and options. See “Modifiers.”
7. If desired, select the CYCLE END SIGNAL. The signal is helpful when you are washing items that should be removed from the washer as soon as it stops. Select LOUD, SOFT or OFF.
8. **To begin the wash cycle immediately**  
Select HOLD TO START.
  - If you do not select HOLD TO START within 5 minutes of choosing a cycle, the washer automatically shuts off.
  - When the wash cycle is complete, the CYCLE COMPLETE status light glows, the door unlocks, and the wash load can be removed from the washer. The washer powers down automatically 5 minutes after the cycle is complete and the CYCLE COMPLETE light goes off. To power down the washer manually after the wash cycle is complete, select PAUSE/OFF once.

3. Push in the dispenser drawer slowly and completely (to avoid a spill).



Dispenser

- A. Prewash detergent compartment
- B. Separator
- C. Main Wash detergent compartment
- D. Dispenser release lever
- E. Chlorine bleach compartment
- F. Fabric softener compartment

## Using the Dispenser

Your new washer has a dispenser drawer with four separate compartments for your laundry products—two are for detergent, one is for liquid chlorine bleach, and one is for liquid fabric softener. Laundry products are diluted and dispensed automatically at the proper time during the wash cycle, making it unnecessary for you to return to the washer during the cycle to add them.

It is normal for small amounts of water to remain in the dispensers when the wash cycle is complete.

Do not put laundry additives directly into the wash tub. Always use the proper dispensers when adding laundry products.

### Choosing the Right Detergent

Use only High Efficiency detergents. The package for this type of detergent will be marked “HE” or “High Efficiency.” This wash system, along with less water, will create too much sudsing with a regular non-HE detergent. Using regular detergent will likely result in washer errors, longer cycle times and reduced rinsing performance. It may also result in component failures and noticeable mold or mildew. HE detergents are made to produce the right amount of suds for the best performance. Follow the manufacturer’s instructions to determine the amount of detergent to use.



Use only HE High Efficiency detergent.

### To fill dispenser compartments

1. Pull out the dispenser drawer.
2. Add the desired laundry product to the proper compartment.

### Prewash detergent compartment

(Letter A in Dispenser Illustration)

Add detergent to this compartment when using the Prewash option or Auto Soak. Liquid or powdered detergent may be used in this compartment. The detergent will automatically be dispensed during Prewash if the Prewash option is selected or during the soak time if Auto Soak is selected.

- Using High Efficiency (HE) detergent, add 1/3 the recommended amount to the Prewash compartment and 2/3 the recommended amount to the Main Wash compartment.
- Do not fill beyond the “MAX” level.

### Main Wash detergent compartment

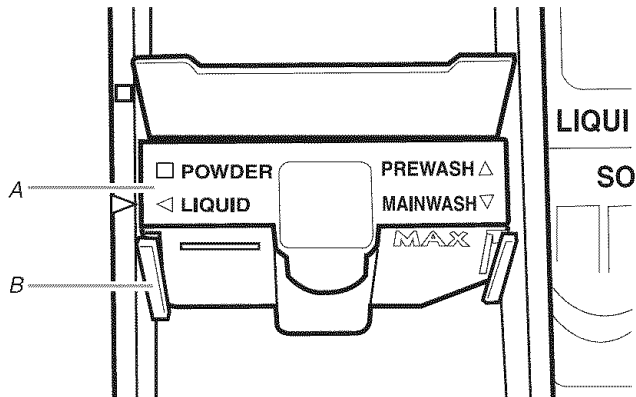
(Letter C in Dispenser Illustration)

Add liquid or powdered detergent to this compartment for your main wash cycle. The detergent separator must always be in place, either in the front or back position.

**IMPORTANT:** If you are using the Prewash or Soak option, powdered detergent must be used in the Main Wash compartment, since liquid detergents may seep out of the Main Wash compartment before the main wash begins.

- Do not fill beyond the “MAX” level. Use the detergent manufacturer's recommended amount for load size.
- Liquid or powdered color-safe bleach may be added to the Main Wash compartment along with the same type of detergent, liquid or powdered.

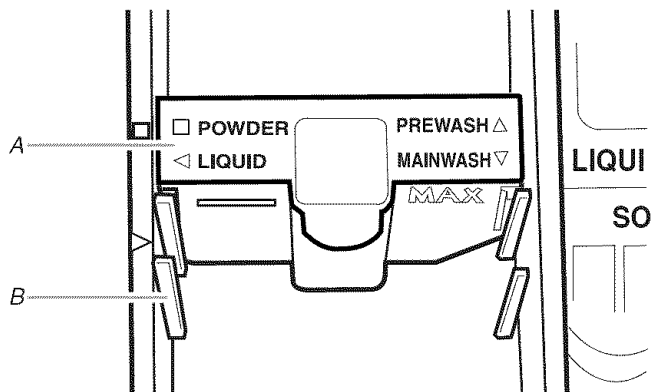
- **Liquid detergent:** Put the separator in the front position, between the guides, as shown following. There will be no gap between the bottom of the wash cycle detergent compartment and the bottom of the separator.



Separator in front position, between guides

- A. Separator
- B. Guide

- **Powdered detergent:** Put the separator in the back position, behind the guides, as shown following. There will be a gap between the bottom of the wash cycle detergent compartment and the bottom of the separator.



Separator in back position, behind guides

- A. Separator
- B. Guide

**NOTE:** The separator will be in the POWDER (back) position when shipped from the factory.

### Chlorine bleach compartment

(Letter E in Dispenser Illustration)

Add no more than 1/3 cup (80 mL) liquid chlorine bleach to this compartment. The bleach will be automatically diluted and dispensed at the optimum time during the first rinse after the wash cycle. This compartment cannot dilute powdered bleach.

- Always measure liquid chlorine bleach. Use a measuring cup with a pour spout; do not guess.
- Do not fill beyond the "MAX" level. Overfilling could cause severe garment damage.

### Fabric softener compartment

(Letter F in Dispenser Illustration)

Add 1/4 cup (60 mL) liquid fabric softener to this compartment. Fabric softener will be automatically dispensed in the final rinse.

- Do not fill beyond the "MAX" level.

## Pausing or Restarting

1. To pause the washer at any time, select PAUSE/OFF.
2. To continue the cycle, select HOLD TO START (for approximately 1 second).

## Changing Cycles, Options and Modifiers

Not all Options and Modifiers are available with all cycles. Cycles, Options and Modifiers can be changed anytime before HOLD TO START is selected.

Options and Modifiers can be changed anytime after HOLD TO START is selected and before the start of the selected Option or Modifier.

### To cancel a cycle and select a new cycle

1. Select PAUSE/OFF twice.
2. Select desired cycle.
3. Select the desired OPTIONS.
4. Select HOLD TO START (for approximately 1 second) to restart the washer at the beginning of the new cycle.

### To cancel a cycle

1. Select PAUSE/OFF twice.
2. The washer powers down, the door unlocks, and clothes can be removed.

**NOTE:** If the water level or the temperature is too high, the washer will drain automatically before the door unlocks.

### To change Options or Modifiers after the cycle has started

1. Select PAUSE/OFF.
2. Select the desired OPTIONS or MODIFIERS.
3. Select HOLD TO START (for approximately 1 second) to continue the cycle.

### To drain the washer manually

1. Select PAUSE/OFF.
2. Select DRAIN/SPIN.
3. Select HOLD TO START (for approximately 1 second) to begin the drain.
4. When the spin is complete, the door unlocks. Items can be removed from the washer.

## Status Lights

These lights show which portion of the cycle the washer is operating. They also indicate when you can add an additional item to the wash cycle and when the controls are locked.

### CONTROL ON

- Add a Garment
- Soak / Prewash
- Wash
- Rinse
- Rinse Hold
- Spin
- Cycle Complete
- Control Locked

## Adding items

This washer allows an 8-minute period in which forgotten garments may be added to the load. You can add items to the washer if the ADD A GARMENT status light is glowing.

### To add items

1. Select PAUSE/OFF once. The washer door unlocks, and items can be added.
2. To continue the cycle, close the door and select HOLD TO START (for approximately 1 second).
3. To unlock the door after the Add a Garment period, press PAUSE/CANCEL twice. This will cancel the Wash Cycle.

## Cycle Complete

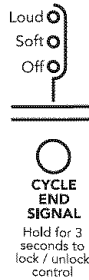
The cycle complete light stays on for 5 minutes after the cycle is complete, and then the washer shuts off.

## Locking controls

The Control Lock avoids unintended use of the washer. You can also use the control lock feature to avoid unintended cycle or option changes during a cycle. When CONTROL LOCKED is lit, all buttons are disabled except for PAUSE/OFF and START. You can lock the controls while the washer is operating.

### To lock the controls

Select and hold CYCLE END SIGNAL for 3 seconds.



The CONTROL LOCKED status light glows.

### To unlock the controls

Select and hold CYCLE END SIGNAL for 3 seconds until the CONTROL LOCKED Status light turns off.

## Door Locked

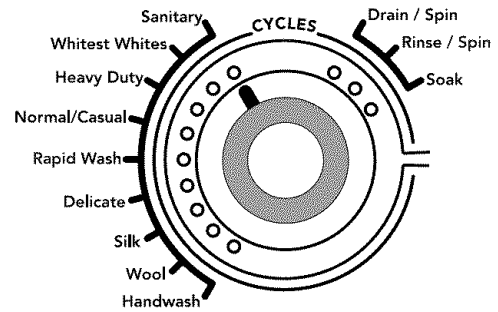
When the status light glows, the door is locked.

## Estimated time remaining

The cycle time varies automatically based on your water pressure, water temperature, detergent and clothes load. The cycle time will be extended if oversudsing occurs or the load is unbalanced. The SUDs routine removes extra suds and assures proper rinsing of your garments. During the unbalance routine the time displayed may pause until this activity is complete, then resume with the cycle. These routines may add up to a half-hour to the default cycle time.

## Cycles

Cycles can be selected by turning the Cycle control knob to the desired cycle. Each cycle is designed for different types of fabric and soil levels.



- Each cycle has a preset Soil Level (cycle time), Water Temperature and Spin Speed, and may have preset options. The preset settings provide the recommended fabric care for the selected cycle.
- The preset settings can be changed anytime before HOLD TO START is pressed. Not all options and modifiers are available with all cycles. (To change settings after the cycle has started, press PAUSE/OFF once, then select the desired settings. Press HOLD TO START to continue the cycle.)

## Sanitary

Use this cycle to clean heavily soiled, colorfast fabrics. This cycle combines a super hot water temperature and fast-speed tumbling to help ensure the removal of heavy soils and stains. It is recommended that you set your hot water heater to 120°F (49°C) to ensure proper performance during this cycle. The Sanitary cycle also helps eliminate 99.999% of 3 common infectious bacteria, even when no bleach is used. Extra high speed spin helps shorten drying time.

## Whitest Whites

This cycle is especially designed for cleaning loads of soiled white fabrics with the addition of bleach. Hot washing temperatures assure optimal bleach activity. An additional rinse provides optimal rinse performance to avoid chlorine residues on your laundry. This cycle combines fast-speed tumbling, longer wash time, and extra high speed spin to shorten drying time.

## Heavy Duty

Use this cycle to wash loads of sturdy, colorfast fabrics and heavily soiled garments. This cycle combines fast-speed tumbling, longer wash time, and extra high speed spin to shorten drying times. If the water temperature is lower than needed for this cycle, the heater will warm the water to the optimum temperature.

**NOTE:** Use the Heavy Duty cycle for optimal removal of organic soils such as blood.

## Normal/Casual

Use this cycle to wash normally soiled cottons and linens. This cycle combines medium-speed tumbling and high-speed spin.

## Rapid Wash

Use this cycle to wash small loads of lightly soiled garments that are needed in a hurry. This cycle combines fast-speed tumbling, a shortened wash time, and extra high speed spin to shorten drying time.

### Delicate

Use this cycle to wash no-iron fabrics and garments labeled “Permanent Press” or “Wrinkle Free” or that indicate using a “Gentle” cycle on the care label. This cycle combines low-speed tumbling and low-speed spin to reduce wrinkling.

### Silk

Use this cycle to clean washable silk garments. (Check label instructions to make sure that garment is washable.) This cycle gently tumbles and drains without spinning to gently clean garments and minimize wrinkling. Because there is no spinning action, garments will contain a higher amount of water at the end of this cycle.

### Wool

Use this cycle to clean machine washable woolen garments. (Check the care instructions to make sure that garment is washable.) This cycle features gentle tumbling and low-speed spin to provide optimum garment care.

### Handwash

Use this cycle to clean hand washable and special-care garments. Similar to the way garments are hand washed in a sink, the wash action of this cycle combines periods of low-speed tumbling and soaking. Low-speed spin reduces wrinkling.

### Soak

Use the Soak cycle to remove small spots of set-in stains on fabrics. This cycle provides a soak time with warm or cold water followed by drain. Extra water, a short tumbling phase for equal distribution of the laundry, and a soaking time without drum movement improve the removal of set-in stains. Drain without spin assures gentle treatment, even for delicate articles.

### Rinse/Spin

Use this cycle to get a rinse and spin only. This cycle combines fast-speed tumbling and extra high speed spin. If desired, you can reduce the spin speed by selecting the speed you want from the SPIN SPEED modifier.

#### A Rinse/Spin cycle is useful for

- Loads that need rinsing only.
- Adding fabric softener to a load.

### Drain/Spin

Use this cycle to drain your washer or to drain and spin your wash load. The spin speed is preset to extra high. If desired, you can reduce the spin speed by selecting the speed you want from the SPIN SPEED modifier.

**NOTE:** Loads of synthetics, delicate fabrics, hand washables, and woolens should be drained with no spin or low spin speed to avoid fabric stress.

### Preset cycle settings

Each cycle has a preset Soil Level (cycle time), Water Temperature, and Spin Speed. The preset settings provide the recommended fabric care for the selected cycle. See chart.

| Cycle          | Soil Level (cycle time) | Water Temp     | Spin Speed              |
|----------------|-------------------------|----------------|-------------------------|
| Sanitary       | Normal (1:55)           | Super Hot/Cold | Extra High <sup>†</sup> |
| Whitest Whites | Normal (1:00)           | Hot/Cold       | Extra High <sup>†</sup> |
| Heavy Duty     | Normal (1:15)           | Hot/Cold       | Extra High <sup>†</sup> |
| Normal/Casual  | Normal (0:40)           | Warm/Cold      | High                    |
| Rapid Wash     | Less soil (0:35)        | Warm/Cold      | Extra High <sup>†</sup> |
| Delicate       | Normal (0:35)           | Warm/Cold      | Medium                  |
| Silk           | Normal (0:26)           | Cold/Cold      | No Spin                 |
| Wool           | Normal (0:30)           | Cold/Cold      | Medium                  |
| Handwash       | Normal (0:30)           | Cold/Cold      | Extra Low               |
| Soak           | Normal (0:30)           | Warm/Cold      | No Spin                 |
| Rinse/Spin     | Normal (0:21)           | Cold/Cold      | Extra High              |
| Drain/Spin     | Normal (0:11)           | N/A            | Extra High              |

<sup>†</sup>Spin speeds may vary on some models.

### To change the preset cycle settings

Press the selector of each setting until the desired setting glows.

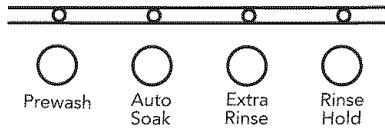
### Normal Washer Sounds

As with any new product, you will hear sounds that you are not accustomed to. You may hear various sounds when the door is locked and unlocked, and during the washing, rinsing, and spinning process. Between changes in wash actions, there will be momentary pauses. You will hear water spraying and splashing during the wash and rinse cycles. These new sounds and pauses are part of normal washer operation.



## Options

You can customize your wash by adding options to your cycle selections. You can add or change an option after starting a cycle anytime before the selected option begins. Not all options are available with all cycles.



- See the “Laundry Guide” for an overview of possible options for each Wash Cycle selection.
- You can select more than one option for a cycle. Some options cannot be added to some cycles; for example, Prewash cannot be added to the Rapid Wash cycle.
- If an option is available with a selected cycle, the light for that option will glow when selected.
- If an option is unavailable with a selected cycle, there will be a short tone, and the light for that option will not glow when selected.

### Prewash

Use this option for heavily soiled loads that need pretreatment. This option adds a 15-minute prewash and drain to the main wash cycle.

#### NOTES:

- Add detergent to the Prewash and Main Wash compartments of the Dispenser Drawer.
- When using Prewash, use powdered detergent for the Main Wash detergent compartment because liquid detergent will seep into the washer during Auto Soak.

**NOTE:** The Prewash and Auto Soak options cannot be selected in the same cycle.

### Auto Soak

Use the Auto Soak option for loads of heavily soiled cotton, linen, polyester or nylon with set-in stains. During Auto Soak, water will be added to the drum and the laundry will be equally distributed by a short tumbling phase. Laundry will then be soaked by phases without drum movement. After soaking, the washer drains without spinning.

- Add detergent to both the Prewash and Main Wash compartments of the Dispenser Drawer.
- Use powdered detergent for the main wash cycle because liquid detergent will seep into the washer during Auto Soak.
- For cycles with Hot Wash Temperatures, the Soak temperature is set to WARM. Otherwise the Soak temperature is the same as the Wash Temperature.
- The Auto Soak and Prewash options cannot be selected in the same cycle.

### Extra Rinse

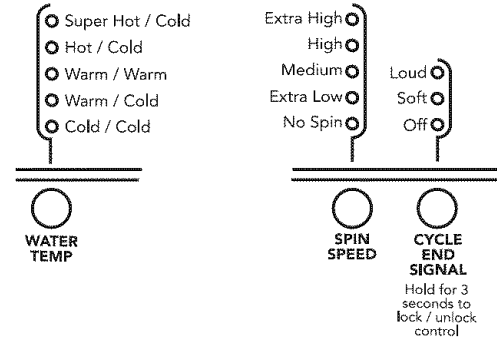
An extra rinse can be used to ensure the removal of detergent or bleach residue from garments. This option provides an additional rinse with the same water temperature as the first rinse.

### Rinse Hold

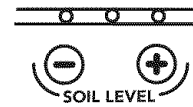
Use this option to avoid wrinkling of your laundry when a load cannot be removed from the washer immediately. The wash cycle is paused before the final drain and spin phase so that the laundry stays in the rinse water until the cycle is continued. This provides optimal wrinkle care of your wet laundry. The door stays locked during the Rinse Hold cycle and the indicator light is flashing. Press RINSE HOLD to finish the cycle and unload the washer.

## Modifiers

Preset cycle settings of Soil Level (cycle time), Water Temperature, and Spin Speed can be changed. You can change a modifier after starting a cycle anytime before the selected modifier begins. Not all modifiers are available with all cycles and options.



- To change the water temperature, select the WATER TEMP button until the desired setting glows.
- To change the spin speed, select the SPIN SPEED button until the desired setting glows.
- To change the loudness of the Cycle End Signal, select (ADJUSTABLE) CYCLE END SIGNAL.



- To change cycle time, select SOIL LEVEL button.

### Wash/Rinse Temp

Select a water temperature based on the type of load you are washing. Use the warmest wash water safe for fabrics. Follow garment label instructions.

Warm rinses leave the loads dryer than cold rinses. Warm rinses increase wrinkling. In cold climates, a warm rinse makes the load more comfortable to handle. Cold rinses save energy.

### Temperature Guide

| Wash Water Temperature | Suggested Fabrics                        |
|------------------------|--|
| <b>SUPER HOT</b>       | Sturdy colorfast fabrics<br>Heavy soils  |
| <b>HOT</b>             | Whites and pastels<br>Heavy soils        |
| <b>WARM</b>            | Bright colors<br>Moderate to light soils |
| <b>COLD</b>            | Colors that bleed or fade<br>Light soils |

*In wash water temperatures colder than 60°F (15.6°C), detergents do not dissolve well. Soils may be difficult to remove.*

### Automatic Temperature Control

The automatic temperature control electronically senses and maintains a uniform water temperature. Automatic temperature control regulates incoming hot and cold water. Automatic temperature control is automatically turned On when a cycle is selected. See “Preset Cycle Settings” in “Cycles.”

- Automatic temperature control works for all wash and rinse temperature settings.

## Laundry Guide

Refer to this chart for suggested load types and their corresponding cycles. Listed to the right are the options available to each of these washer cycles.

| CYCLE                 | SUGGESTED LOAD TYPE  | AVAILABLE OPTIONS |          |            |             |
|-----------------------|--|-------------------|----------|------------|-------------|
|                       |  | Rinse/Hold        | Prewash* | Auto Soak* | Extra Rinse |
| <b>Sanitary</b>       | Heavily soiled underwear, towels, work clothes, diapers, etc.  | ✓                 | ✓        | ✓          | ✓           |
| <b>Whitest Whites</b> | Heavily soiled white fabrics   | ✓                 | ✓        | ✓          | ✓           |
| <b>Heavy Duty</b>     | Heavily soiled underwear, towels, shirts, etc.   | ✓                 | ✓        | ✓          | ✓           |
| <b>Normal/Casual</b>  | Normally soiled blouses, shirts, overalls, etc., made of polyester, nylon, cotton, linen, or cotton blends   | ✓                 | ✓        | ✓          | ✓           |
| <b>Rapid Wash</b>     | Lightly soiled sports wear made of cotton, polyester, nylon and cotton blends  | ✓                 |          | ✓          | ✓           |
| <b>Delicate</b>       | Use this cycle to wash no-iron fabrics and garments labeled "Permanent Press" or "Wrinkle Free" or that indicate using a "Gentle" cycle on the care label. | ✓                 | ✓        | ✓          | ✓           |
| <b>Silk</b>           | Fabrics made of silk identified as machine washable  | ✓                 |          |            | ✓           |
| <b>Wool</b>           | Woolens with a felt-free finish, identified as machine washable  | ✓                 |          |            | ✓           |
| <b>Handwash</b>       | Fabrics made of silk, special-care items marked "Handwashable"   | ✓                 |          |            | ✓           |
| <b>Soak</b>           | Fabrics made of cotton, linen, polyester or nylon  |                   |          |            |             |
| <b>Rinse/Soak</b>     | Fabrics made of cotton, linen, polyester or nylon  | ✓                 |          |            | ✓           |
| <b>Drain/Spin</b>     | Fabrics made of cotton, linen, polyester or nylon  |                   |          |            |             |

\*Prewash and Auto Soak cannot be selected at the same time.

---

# LAUNDRY TIPS

## Preparing clothes for washing

Follow these recommendations to help you prolong the life of your garments.

- Use only High Efficiency detergents. The package for this type of detergent will be marked "HE" or "High Efficiency." This wash system, along with less water, will create too much sudsing with a regular non-HE detergent. Using regular detergent will likely result in washer errors, longer cycle times and reduced rinsing performance. It may also result in component failures and noticeable mold or mildew. HE detergents are made to produce the right amount of suds for the best performance. Follow the manufacturer's instructions to determine the amount of detergent to use.



*Use only HE High Efficiency detergent.*

- Close zippers, snaps, and hooks to avoid snagging other items. Remove pins, buckles, and other hard objects to avoid scratching the washer interior. Remove non-washable trim and ornaments.
- Empty pockets and turn them inside-out.
- Turn down cuffs; brush away lint and dirt.
- Turn synthetic knits inside-out to avoid pilling.
- Tie strings and sashes so they will not tangle.
- Mend tears, loose hems, and seams.
- Treat spots and stains.
- Stained or wet garments should be washed promptly for best results.
- Mix large and small items, avoid washing single items, and load evenly.
- Wash small items, such as infant socks, in a mesh garment bag. To create a balanced load it is recommended that more than one garment bag be used, and that each garment bag be filled with equal amounts of material.

**NOTE:** If you are washing only small items, it is recommended that more than one mesh garment bag be used, and that each garment bag be filled with equal amounts of material.

## Sorting

- Separate heavily soiled items from lightly soiled ones, even if they would normally be washed together. Separate lint-givers (towels, chenille) from lint-takers (corduroy, synthetics, permanent press). When possible, turn lint-givers inside-out.
- Separate dark colors from light colors, colorfast items from noncolorfast items.
- Sort by fabric and construction (sturdy cottons, knits, delicate items).

## Unloading

- Remove clothes from washer after the cycle is completed. Metal objects such as zippers, snaps, and buckles may rust if left in the washer basket for a long time.
- When unloading garments, occasionally check under the gray rubber seal/bellow at the front of the tub for small items.

---

## Loading

---

### Loading suggestions (maximum size loads).

---

#### Heavy Work Clothes

|              |               |
|--------------|---------------|
| 4 jeans      | 2 sweatpants  |
| 4 workpants  | 2 sweatshirts |
| 4 workshirts |               |

---

#### Towels

|                |               |
|----------------|---------------|
| 10 bath towels | 14 washcloths |
| 10 hand towels |               |

---

#### Mixed Load

|                           |                  |
|---------------------------|------------------|
| 3 sheets (1 king, 2 twin) | 9 T-shirts       |
| 4 pillowcases             | 9 shorts         |
| 3 shirts                  | 10 handkerchiefs |
| 3 blouses                 |                  |

---

# WASHER CARE

## Cleaning Your Washer

### Cleaning the exterior

Use a soft damp cloth or sponge to wipe up any spills. Occasionally wipe the outside of your washer to keep it looking new. Use mild soap and water. Do not use abrasive products.

### Cleaning the interior

To keep the interior of your washer clean, run the Sanitary cycle without clothes. Use ½ of the detergent manufacturer's recommended amount of High Efficiency (HE) powdered or liquid detergent for a medium-size load.

### Cleaning the door seal

Check the fold of the seal periodically for any foreign objects. To clean the seal, mix a dilute solution, using ¾ cup (177.4 mL) of liquid chlorine bleach, and 1 gal. (3.8 L) of warm tap water. Wipe the seal area with the dilute solution, using a damp cloth. Let stand 5 minutes. Wipe down area thoroughly with a dry cloth and let the washer interior air dry with door open.

#### IMPORTANT:

- Wear rubber gloves when cleaning for prolonged periods.
- Refer to the bleach manufacturer's instructions for proper use.

### Cleaning the dispenser drawer

The dispenser drawer is removable for easy cleaning.

1. Unlock the dispenser drawer by pressing the Release Lever in the Prewash compartment. See "Using the Dispenser." Remove the drawer.
2. Remove the inserts (the siphon from the softener and bleach compartments and the separator).
3. Wash the parts under running water.
4. Replace the inserts and return the dispenser to the drawer.

## Water Inlet Hoses

Replace inlet hoses after 5 years of use to reduce the risk of hose failure. Periodically inspect and replace inlet hoses if bulges, kinks, cuts, wear or leaks are found.

When replacing your inlet hoses, record the date of replacement.

## Vacation, Storage, and Moving Care

Install and store your washer where it will not freeze. Because some water may stay in the hoses, freezing can damage your washer. If storing or moving your washer during freezing weather, winterize it.

#### Non-use or vacation care:

Operate your washer only when you are at home. If you will be on vacation or not using your washer for an extended period of time, you should:

- Unplug washer or disconnect power.
- Turn off the water supply to the washer. This helps avoid unintended flooding (due to a water pressure surge) while you are away.
- Slightly open door to provide ventilation.

#### To winterize washer:

1. Put 1 qt (1 L) of R.V.-type antifreeze in the drum.
2. Run washer on a DRAIN/SPIN cycle.
3. Unplug washer or disconnect power.
4. Shut off both water faucets.
5. Disconnect water inlet hoses from faucets and drain.

#### To use washer again:

1. Flush water pipes. Reconnect water inlet hoses to faucets. Turn on both water faucets.

## ⚠ WARNING



### Electrical Shock Hazard

Plug into a grounded 3 prong outlet.

Do not remove ground prong.

Do not use an adapter.

Do not use an extension cord.

Failure to follow these instructions can result in death, fire, or electrical shock.

2. Plug in washer or reconnect power.
3. Run the washer through the Normal/Casual cycle with ½ the manufacturer's recommended amount of HE detergent for a medium-size load, to clean the washer and remove the antifreeze, if used.

#### To transport the washer:

1. If washer will be moved during freezing weather, put in 1 qt (1 L) of R.V.-type antifreeze in the drum. Run washer on a DRAIN/SPIN cycle.
2. Unplug the power cord.
3. Disconnect the drain hose from the drain system and attach to rear panel clips.
4. Shut off both water faucets.
5. Disconnect the water inlet hoses from faucets, then drain the hoses and clip them to the rear panel of the washer.

**IMPORTANT:** Call service. Do not reuse transport bolts. Washer must be transported in the upright position. To avoid suspension and structural damage to your washer, it must be properly set up for relocation by a certified technician.

#### Reinstalling the washer

1. Follow the "Installation Instructions" to locate, level and connect the washer.
2. Run the washer through the Normal/Casual cycle with ½ the manufacturer's recommended amount of HE detergent for a medium-size load, to clean the washer and remove the antifreeze, if used.

# TROUBLESHOOTING

First try the solutions suggested here to possibly avoid the cost of a service call...

## Washer displaying code message and tone sounds

■ **“FH” (Water Inlet Problem—no water or insufficient water supply)**

Select PAUSE/OFF twice to cancel the cycle. Unplug washer or disconnect power.

**Check the following:**

Are water faucets completely turned on?

Are screens at inlet hose connection to washer clogged?

Are water inlet hoses kinked?

Are water inlet hoses frozen?

Plug in washer or reconnect power. Re-select cycle and press HOLD TO START. If the problem remains, call for service.

■ **“F02” (Drain Problem)**

Select PAUSE/OFF twice to cancel the cycle. Unplug washer or disconnect power.

**Check the following:**

Is the drain hose kinked?

Is the drain hose frozen?

Is the drain hose clogged?

Is the drain hose more than 96" (2.4 m) above the floor?

■ **“SUD” (Suds Routine)**

When excessive suds are detected, a suds routine automatically starts. This routine removes extra suds and assures proper rinsing of your garments. “SUD” is displayed during rinsing and at the end of the cycle to inform you that Suds Routine was activated. Use only HE (High Efficiency) detergents.

■ **“F” Variables [other than FH and F02] (Electrical Problem)**

Select PAUSE/OFF twice to cancel the cycle. Select DRAIN/SPIN if there is excessive water in the washer.

Re-select cycle and press HOLD TO START. If the problem remains, call for service.

## Washer won't start

### ⚠ WARNING



#### Electrical Shock Hazard

Plug into a grounded 3 prong outlet.

Do not remove ground prong.

Do not use an adapter.

Do not use an extension cord.

Failure to follow these instructions can result in death, fire, or electrical shock.

■ **Check the following:**

Is the power cord plugged into a grounded 3 prong outlet?

Is the washer door firmly closed?

Has a cycle been selected, but HOLD TO START has not been selected and held for 1 second?

Was the door open after completion of last cycle?

## Washer won't fill, wash or rinse

■ **Check the following:**

Is the power cord plugged into a grounded 3 prong outlet?

Is there power at the plug? Check electrical source or call an electrician.

Are the hot and cold water faucets turned on?

Is the water inlet hose kinked?

Are the water inlet valve screens clogged?

## Washer stops

■ **Check the following:**

Is the power cord plugged into a grounded 3 prong outlet?

Is there power at the plug?  
Check electrical source or call an electrician.

Has a household fuse blown, or has a circuit breaker tripped?  
Replace the fuse or reset the circuit breaker. If the problem continues, call an electrician.

Are you using an extension cord?

Do not use an extension cord.

---

### Washer won't drain or spin

---

- **Is the drain hose clogged, or the end of the drain hose more than 96" (2.4 m) above the floor?**
- **Is your voltage low?**  
Check electrical source or call electrician. Do not use an extension cord.
- **Is the "SUD" routine active?**  
Cycle will complete once extra suds are removed.
- **Is the load balanced?**  
A single or bulky item may cause imbalance. Add more items or redistribute the load.

---

### Washer makes noise or vibrates

---

- **Is the washer level?**  
The washer must be level. The four feet should be properly installed, and the nuts should be tightened against the washer cabinet.  
  
As water is drained from the washer, you may hear air being pulled through the pump. This happens during the end of draining. It is normal.
- **Are you washing items with metal snaps, buckles or zippers?**  
You may hear metal items touching the washer drum. This is normal.
- **Is washer installed on a sturdy and solid floor?**  
Refer to the "Installation Instructions" for flooring requirements. Noise and vibration may be reduced by placing a piece of ¾" (19.1 mm) plywood underneath your washer. The plywood may extend underneath both washer and dryer to keep them at equal heights.

---

### Washer leaks

---

- **Check household plumbing for leaks.**

---

### Dispensers clogged or leaking

---

- **Are the laundry products in the correct dispenser compartment?**  
Add the correct amounts of detergent, fabric softener or liquid chlorine bleach to the correct compartments. Add powdered or liquid color-safe bleach to the Main Wash compartment. Be sure to match powdered color-safe bleach with powdered detergent or match liquid color-safe bleach with liquid detergent.
- **Is the detergent separator in the correct position?**  
Separator should be in the front position when using liquid detergent and in the back position when using powdered detergent.

---

### Washer odor

---

- **See "Cleaning Your Washer."**
- **Are you using HE detergent?**  
Use of non-HE detergent can cause a film residue which can result in odor.
- **Did you leave the door open after use?**  
This washer has a tight seal to avoid water leaks. To avoid odors leave the door open to allow the washer to dry between uses.

---

### Load too wet

---

- **Did you use the right cycle for the load being washed?**  
Select a cycle with a higher spin speed.
- **Did you wash a single item or bulky items or have you overloaded the washer?**  
A single item, bulky items, or overloading may cause imbalance. Add items or try to evenly distribute your wet laundry in the drum, and start a DRAIN/SPIN cycle. If the laundry is still wet, take half of the load out of the washer and try again.

---

### Residue or lint on load

---

- **Did you add detergent to the dispenser?**  
For best results, add detergent to the detergent compartment. Do not add detergent to the washer drum.
- **Did you sort properly?**  
Sort lint givers (towels, chenille) from lint takers (corduroy, synthetics). Also sort by color.
- **Did you overload the washer?**  
Do not overload the washer. The washer can be fully loaded, but not tightly packed. The wash load must be balanced. Lint can be trapped in the load if overloaded.
- **Check the following:**  
Was paper or tissue left in pockets?
- **Did you use enough HE detergent?**  
Use enough detergent to remove lint and hold it in suspension. Use only HE detergent. Follow the manufacturer's instructions to determine the amount of detergent to use.
- **Is your water colder than 60°F (15.6°C)?**  
Wash water colder than 60°F (15.6°C) may not completely dissolve the detergent.
- **Are you using a low speed wash cycle?**  
Powdered detergents may not dissolve well in a slow-speed cycle. For best results, use liquid detergent for slow-speed cycles such as Delicate, Silk, Wool, and Handwash.

---

## Stains on load

---

- **Did you add detergent to the dispenser?**  
For best results, add detergent to the detergent compartment. Do not add detergent to the washer drum.
- **Did you use enough HE detergent?**  
Use enough detergent to remove soil and hold it in suspension. Use only HE detergent. Follow the manufacturer's instructions to determine the amount of detergent to use.
- **Is there above average iron (rust) in water?**  
You may need to install an iron filter.
- **Did you properly sort the load?**  
Sort dark clothes from whites and lights.
- **Did you unload the washer promptly?**  
To avoid dye transfer, unload the washer as soon as it stops.
- **Did you use a fabric softener dispensing ball?**  
Dispensing balls will not operate correctly with this washer. Add liquid fabric softener to the fabric softener compartment.
- **Did you use powdered detergent in a low-speed cycle?**  
Consider using liquid detergent.
- **Did you use Rapid Wash on a large load?**  
For best results, use Rapid Wash for small, lightly soiled loads.

---

## Load is wrinkled

---

- **Did you unload the washer promptly?**  
Unload the washer as soon as it stops.
- **Did you use the right cycle for the load being washed?**  
Use the Delicate cycle or another cycle with a low spin speed to reduce wrinkling.
- **Did you overload the washer?**  
The wash load must be balanced and not overloaded. Loads should tumble freely during washing.

---

## Gray whites, dingy colors

---

- **Did you properly sort the load?**  
Dye transfer can occur when mixing whites and colors in a load. Sort dark clothes from whites and lights.
- **Was the wash temperature too low?**  
Use hot or warm washes if safe for the load. Make sure your hot water system is adequate to provide a hot water wash.
- **Did you use enough detergent, or do you have hard water?**  
Use more detergent for washing heavy soils in cold or hard water.

---

## Cycle too long

---

- **Did you choose the Sanitary cycle?**  
The heater will be activated to provide maximum cleaning performance. Additional time will be added to the regular cycle to heat the water. This additional time will depend on the load size and the hot water inlet temperature.
- **Is "SUD" shown in the display?**  
Excessive sudsing has been detected and a suds routine has been started to destroy excessive suds. This routine will add time to the original cycle.
- **Did you wash a large load using the Quick Wash cycle?**  
The Quick Wash Cycle is designed for smaller load sizes (2-3 items of lightly soiled garments). If larger loads are washed using this cycle, wash time will be increased.
- **Did you wash a large load using a gentle cycle?**  
When using the Delicate, Handwash, Silk and Wool cycles you should use small loads. This ensures a gentle wash for your garments without increasing cycle times.
- **Did the load cause imbalance?**  
When too much imbalance occurs, an imbalance routine will start to redistribute the load. During the imbalance routine, the time displayed may pause until this activity is complete, then resume with the remainder of the cycle.

---

## Door locked at end of wash cycle

---

- **Did all of the water drain out of the washer during the spin?**  
Select DRAIN/SPIN to remove any water remaining in the washer. The washer door will unlock at the end of the drain.

---

# ASSISTANCE OR SERVICE

---

Before calling for assistance or service, please check "Troubleshooting." It may save you the cost of a service call. If you still need help, follow the instructions below.

When calling, please know the purchase date and the complete model and serial number of your appliance. This information will help us to better respond to your request.

## If you need replacement parts

If you need to order replacement parts, we recommend that you only use factory specified parts. These parts will fit right and work right, because they are made with the same precision used to build every new Maytag® appliance. To locate factory specified replacement parts in your area, call our Maytag Services, LLC Customer Assistance Center telephone number or your nearest Maytag designated service center.

---

## In the U.S.A.

Call the Maytag Services, LLC Customer Assistance Center toll free:

**1-800-688-9900.**

### Our consultants provide assistance with:

- Features and specifications on our full line of appliances
- Installation information
- Accessory and repair parts sales
- Specialized customer assistance (Spanish speaking, hearing impaired, limited vision, etc.)
- Referrals to local dealers, repair parts distributors, and service companies. Maytag designated service technicians are trained to fulfill the product warranty and provide after-warranty service, anywhere in the United States

To locate the Maytag designated service company in your area, you can also look in your telephone directory Yellow Pages.

### For further assistance

If you need further assistance, you can write to Maytag with any questions or concerns at:

Maytag Services, LLC  
ATTN: CAIR® Center  
P.O. Box 2370  
Cleveland, TN 37320-2370

Please include a daytime phone number in your correspondence.

---

## In Canada

Call the Maytag Services, LLC Customer Assistance toll free:  
**1-800-688-2002.**

### Our consultants provide assistance with:

- Use and maintenance procedures
- Accessory and repair parts sales
- Features and specifications on our full line of appliances
- Referrals to local dealers, repair parts distributors, and service companies. Maytag designated service technicians are trained to fulfill the product warranty and provide after-warranty service anywhere in Canada.

### For further assistance

If you need further assistance, you can write to Maytag with any questions or concerns at:

Maytag Services, LLC  
ATTN: CAIR® Center  
P.O. Box 2370  
Cleveland, TN 37320-2370

Please include a daytime phone number in your correspondence.

---

# MAYTAG CORPORATION MAJOR APPLIANCE WARRANTY

---

## ONE YEAR LIMITED WARRANTY

For one year from the date of purchase, when this major appliance is operated and maintained according to instructions attached to or furnished with the product, Maytag Corporation or Maytag Limited (hereafter "Maytag") will pay for Factory Specified Parts and repair labor to correct defects in materials or workmanship. Service must be provided by a Maytag designated service company. This limited warranty applies only when the major appliance is used in the country in which it was purchased.

---

### ITEMS MAYTAG WILL NOT PAY FOR

1. Service calls to correct the installation of your major appliance, to instruct you how to use your major appliance, to replace or repair house fuses or to correct house wiring or plumbing.
  2. Service calls to repair or replace appliance light bulbs, air filters or water filters. Those consumable parts are excluded from warranty coverage.
  3. Repairs when your major appliance is used for other than normal, single-family household use.
  4. Damage resulting from accident, alteration, misuse, abuse, fire, flood, acts of God, improper installation, installation not in accordance with electrical or plumbing codes, or use of products not approved by Maytag.
  5. Any food loss due to refrigerator or freezer product failures.
  6. Replacement parts or repair labor costs for units operated outside the United States or Canada.
  7. Pickup and delivery. This major appliance is designed to be repaired in the home.
  8. Repairs to parts or systems resulting from unauthorized modifications made to the appliance.
  9. Expenses for travel and transportation for product service in remote locations.
  10. The removal and reinstallation of your appliance if it is installed in an inaccessible location or is not installed in accordance with published installation instructions.
  11. Replacement parts or repair labor costs when the major appliance is used in a country other than the country in which it was purchased.
- 

### DISCLAIMER OF IMPLIED WARRANTIES; LIMITATION OF REMEDIES

CUSTOMER'S SOLE AND EXCLUSIVE REMEDY UNDER THIS LIMITED WARRANTY SHALL BE PRODUCT REPAIR AS PROVIDED HEREIN. IMPLIED WARRANTIES, INCLUDING WARRANTIES OF MERCHANTABILITY OR FITNESS FOR A PARTICULAR PURPOSE, ARE LIMITED TO ONE YEAR OR THE SHORTEST PERIOD ALLOWED BY LAW. MAYTAG SHALL NOT BE LIABLE FOR INCIDENTAL OR CONSEQUENTIAL DAMAGES. SOME STATES AND PROVINCES DO NOT ALLOW THE EXCLUSION OR LIMITATION OF INCIDENTAL OR CONSEQUENTIAL DAMAGES, OR LIMITATIONS ON THE DURATION OF IMPLIED WARRANTIES OF MERCHANTABILITY OR FITNESS, SO THESE EXCLUSIONS OR LIMITATIONS MAY NOT APPLY TO YOU. THIS WARRANTY GIVES YOU SPECIFIC LEGAL RIGHTS AND YOU MAY ALSO HAVE OTHER RIGHTS, WHICH VARY FROM STATE TO STATE OR PROVINCE TO PROVINCE.

---

Outside the 50 United States and Canada, this warranty does not apply. Contact your authorized Maytag dealer to determine if another warranty applies.

If you need service, first see the "Troubleshooting" section of the Use & Care Guide. After checking "Troubleshooting," additional help can be found by checking the "Assistance or Service" section or by calling Maytag. In the U.S.A., call **1-800-688-9900**. In Canada, call **1-800-688-2002**.

5/06

**Keep this book and your sales slip together for future reference. You must provide proof of purchase or installation date for in-warranty service.**

Write down the following information about your major appliance to better help you obtain assistance or service if you ever need it. You will need to know your complete model number and serial number. You can find this information on the model and serial number label located on the product.

Dealer name \_\_\_\_\_  
Address \_\_\_\_\_  
Phone number \_\_\_\_\_  
Model number \_\_\_\_\_  
Serial number \_\_\_\_\_  
Purchase date \_\_\_\_\_

---

## Notes

# SEGURIDAD DE LA LAVADORA

## Su seguridad y la seguridad de los demás es muy importante.

Hemos incluido muchos mensajes importantes de seguridad en este manual y en su electrodoméstico. Lea y obedezca siempre todos los mensajes de seguridad.



Este es el símbolo de advertencia de seguridad.

Este símbolo le llama la atención sobre peligros potenciales que pueden ocasionar la muerte o una lesión a usted y a los demás.

Todos los mensajes de seguridad irán a continuación del símbolo de advertencia de seguridad y de la palabra "PELIGRO" o "ADVERTENCIA". Estas palabras significan:

**⚠ PELIGRO**

Si no sigue las instrucciones de inmediato, usted puede morir o sufrir una lesión grave.

**⚠ ADVERTENCIA**

Si no sigue las instrucciones, usted puede morir o sufrir una lesión grave.

Todos los mensajes de seguridad le dirán el peligro potencial, le dirán cómo reducir las posibilidades de sufrir una lesión y lo que puede suceder si no se siguen las instrucciones.

## INSTRUCCIONES IMPORTANTES DE SEGURIDAD

**ADVERTENCIA:** Para reducir el riesgo de incendio, choque eléctrico o lesiones a personas al usar su lavadora, siga las precauciones básicas, incluyendo las siguientes:

- Lea todas las instrucciones antes de usar la lavadora.
- No lave artículos que hayan sido previamente limpiados, lavados, remojados o humedecidos con gasolina, solventes para lavar en seco, u otras sustancias inflamables o explosivas ya que éstas emanan vapores que podrían encenderse o causar una explosión.
- No agregue gasolina, solventes para lavar en seco, u otras sustancias inflamables o explosivas al agua de lavado. Estas sustancias emanan vapores que podrían encenderse o causar una explosión.
- En ciertas condiciones, puede generarse gas hidrógeno en un sistema de agua caliente que no se haya usado por dos semanas o un período mayor. **EL GAS HIDRÓGENO ES EXPLOSIVO.** Si no se ha usado el agua caliente durante dicho período, antes de usar la lavadora, abra todos los grifos de agua caliente y deje que corra el agua por varios minutos. Esto liberará todo el gas hidrógeno que se haya acumulado. Debido a la inflamabilidad de dicho gas, no fume ni use una llama abierta durante este lapso.
- No permita que los niños jueguen encima o dentro de la lavadora. Es necesario una supervisión cuidadosa de los niños toda vez que se use la lavadora cerca de ellos.
- Antes de poner la lavadora fuera de servicio o desecharla, quítele la puerta o la tapa.
- No introduzca las manos en la lavadora si el tambor, la tina, o el agitador están funcionando.
- No instale ni almacene esta lavadora donde pudiese estar sometida a la intemperie.
- No trate de forzar los controles.
- No repare ni cambie pieza alguna de la lavadora ni intente realizar tarea alguna de servicio técnico, excepto cuando así se le indique específicamente en este manual o en instrucciones de reparación para el usuario publicadas, que usted entienda y para cuya ejecución cuente con la habilidad necesaria.
- Para obtener información respecto a los requisitos de conexión a tierra, refiérase a los "Requisitos Eléctricos".

**GUARDE ESTAS INSTRUCCIONES**

# REQUISITOS DE INSTALACIÓN

## Herramientas y piezas

Reúna las herramientas y piezas necesarias antes de comenzar la instalación. Las piezas provistas con la lavadora están en el tambor de la misma.

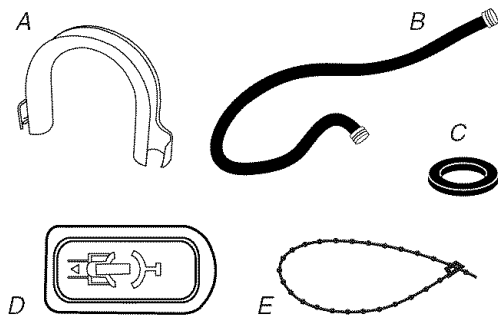
### Herramientas necesarias para la conexión de las mangueras de entrada del agua

- Alicates (que se abran a 1 $\frac{1}{16}$ " [39,5 mm])
- Linterna (opcional)

### Herramientas necesarias para la instalación

- Llaves fija de 17 mm y 13 mm
- Nivel
- Bloque de madera
- Regla o cinta para medir

### Piezas suministradas:



- A. Molde de la manguera de desagüe  
 B. Mangueras de entrada (2)  
 C. Arandelas de las mangueras de entrada (4)  
 D. Tapón para orificios de pernos de transporte (4)  
 E. Fleje rebordado

### Piezas alternativas

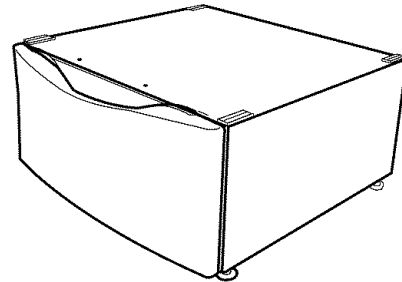
Su instalación puede requerir piezas suplementarias. Si está interesado en adquirir una de las piezas aquí enlistadas, llame al número gratuito que se encuentra en la portada o en la sección "Ayuda o servicio técnico".

| Si tiene  | Necesitará adquirir  |
|---|--|
| Un lavadero o tubo vertical a una altura mayor de 96" (2,4 m) | Sistema de bomba de sumidero (si ya no está disponible)  |
| Una alcantarilla suspendida                                   | Un tanque de desagüe normal o un lavadero de uso general de 20 gal. (76 L) de capacidad y 30" (76,2 cm) de altura y una bomba de sumidero (en venta en establecimientos de fontanería locales) |
| Desagüe por el piso   | Desviación de sifón, pieza No. 285834; manguera de desagüe adicional, pieza No. 8318155; y juego de conectores, pieza No. 285835   |
| Manguera de desagüe muy corta                                 | Juego de extensión para manguera de desagüe de 4 pies (1,2 m), pieza No. 285863  |
| Grifos del agua fuera del alcance de las mangueras de llenado | 2 mangueras de llenado del agua más largas:<br>6 pies (1,8 m) pieza No. 76314,<br>10 pies (3,0 m) pieza No. 350008   |

## Opciones

### Pedestal

Un pedestal se agregará a la altura total de la lavadora para llegar a una altura total de 53,5" (135,9 cm).



Pedestal opcional

Para encargar, llame al distribuidor en donde compró la lavadora o refiérase a la sección "Ayuda o servicio técnico" de este manual.

| Altura del pedestal | Color  | Número de pieza |
|---------------------|--------|-----------------|
| 15,5" (39,4 cm)     | Blanco | WHP1500SQ       |
| 15,5" (39,4 cm)     | Negro  | WHP1500SB       |

### Juego para apilar

¿Está usted planeando apilar la lavadora y la secadora Maytag? Para hacer eso, necesitará comprar un juego para apilar.

Para encargar, llame al distribuidor en donde compró la secadora o consulte a la sección "Ayuda o servicio técnico" de este manual. Pida la pieza número 8541503.

## Requisitos de ubicación

La selección de una ubicación apropiada para su lavadora realiza el rendimiento y reduce al mínimo el ruido y la posible "caminata" de la lavadora.

Su lavadora se puede instalar debajo de un mostrador a la medida, o en un sótano, cuarto para lavar, clóset o un lugar empotrado. Vea "Sistema de desagüe".

Deberá tenerse en cuenta también los requisitos para la ubicación de otro electrodoméstico que le acompañe. La instalación correcta es su responsabilidad.

### Usted necesitará

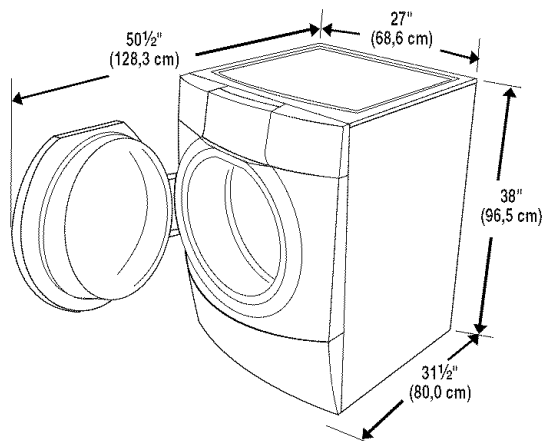
- Un calentador de agua fijado para suministrar a la lavadora el agua a 120°F (49°C).
- Un contacto eléctrico con conexión a tierra ubicado a una distancia de 6 pies (1,8 m) del lugar donde el cable eléctrico está fijado a la parte posterior de la lavadora. Vea "Requisitos eléctricos".
- Grifos de agua caliente y de agua fría ubicados a una distancia de 4 pies (1,2 m) de las válvulas de llenado del agua caliente y fría, y una presión de agua de 20-100 lb/pulg<sup>2</sup> (137,9 - 689,6 kPa).
- Un piso nivelado con un declive máximo de 1" (2,5 cm) debajo de toda la lavadora. No se recomienda instalar la lavadora sobre superficies blandas del piso, tales como alfombras o superficies con reverso de espuma.
- Un piso resistente y firme que soporte la lavadora con un peso total (del agua y de la carga) de 400 libras (180 kg).

No ponga a funcionar su lavadora a temperaturas inferiores a 32°F (0°C). El agua que quede en la lavadora puede ocasionar daños a bajas temperaturas.

### Espacios libres de instalación

- El lugar debe ser lo suficientemente grande para permitir que la puerta de la lavadora se abra completamente.
- Debe considerarse el espacio adicional para facilitar la instalación y el servicio técnico.
- Se podrían necesitar espacios libres adicionales para las molduras de la pared, puerta y piso.
- Para reducir la transferencia de ruidos se recomienda dejar espacios libres adicionales de 1" (2,5 cm) en todos los lados de la lavadora.
- También se debe considerar espacio adicional para otro electrodoméstico que le acompañe.

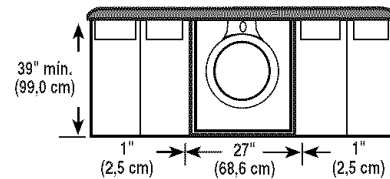
### Dimensiones de la lavadora



### Espacio recomendado para la instalación a medida debajo del mostrador

Las dimensiones que se ilustran son para el espacio recomendado.

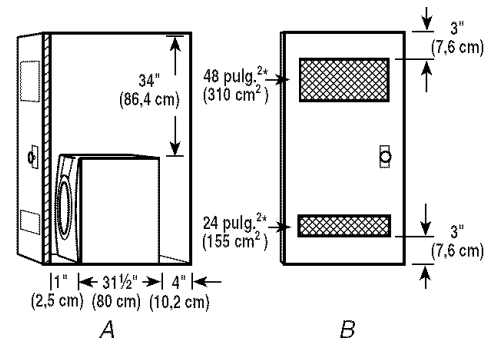
### Instalación a medida debajo del mostrador - Sólo para la lavadora



### Espacio recomendado para la instalación en un lugar empotrado o en un clóset, con o sin pedestal

Las dimensiones que se ilustran son para el espacio recomendado.

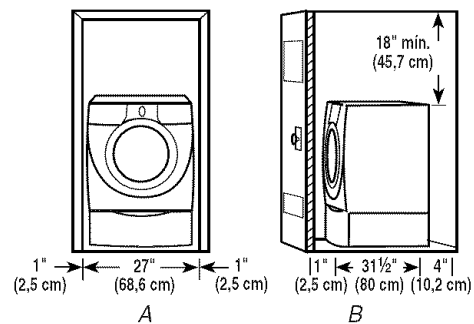
### Instalación en zona empotrada o en el clóset



A. Vista lateral - clóset o lugar confinado

B. Puerta de clóset con orificios de ventilación

### Instalación en un clóset o lugar empotrado - Lavadora sobre un pedestal

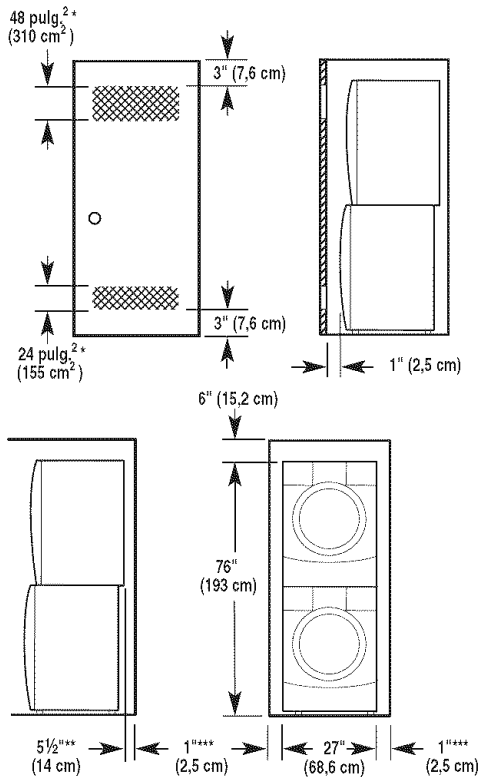


A. Lugar empotrado

B. Vista lateral - clóset o lugar confinado

## Espacio recomendado para la instalación en un lugar empotrado o en un clóset, con lavadora y secadora apiladas

Las dimensiones que se ilustran son para el espacio recomendado.



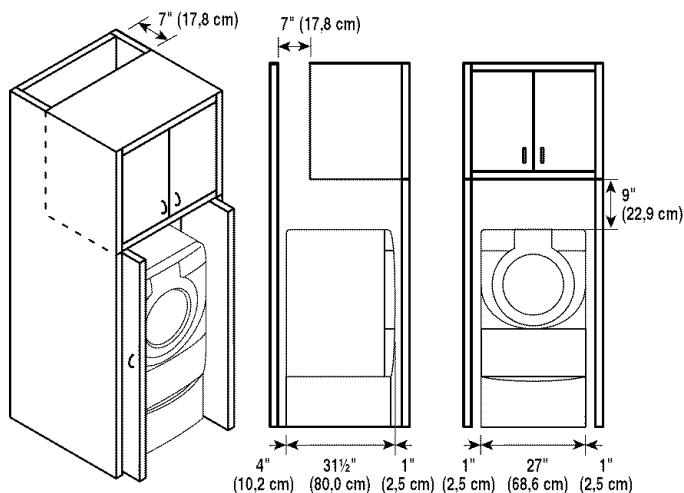
\*Aberturas de aire mínimas de la parte superior e inferior para la puerta del clóset.

\*\*El codo externo de ventilación requiere espacio adicional.

\*\*\*Las molduras para pared, puerta y piso pueden requerir espacios adicionales.

## Espacio recomendado para la instalación en un armario

- Las dimensiones que se ilustran son para el espacio recomendado.
- Para la instalación en armario, con una puerta, se requieren aberturas de ventilación mínimas en la parte superior.



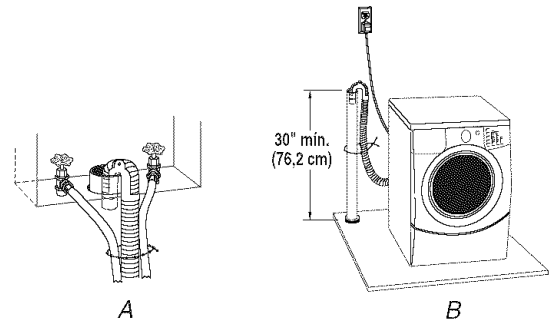
## Sistema de desagüe

Se puede instalar la lavadora utilizando el sistema de desagüe por tubo vertical (en el piso o en la pared), el sistema de desagüe por el lavadero, o el sistema de desagüe por el piso. Seleccione el método de instalación de la manguera de desagüe que usted necesite. Vea "Herramientas y piezas".

### Sistema de desagüe por tubo vertical - en la pared o en el piso (vistas A y B)

El desagüe por tubo vertical necesita un tubo vertical con un diámetro mínimo de 2" (5 cm). La capacidad mínima de desagüe no puede ser menor de 17 gal (64 L) por minuto.

La parte superior del tubo vertical debe estar a una altura mínima de 30" (76,2 cm) y máxima de 96" (2,4 m) de la parte inferior de la lavadora.



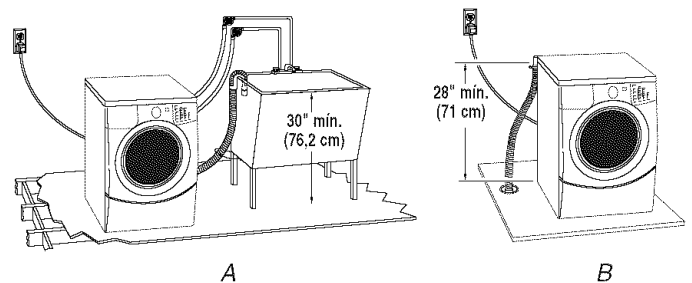
### Sistema de desagüe por el lavadero (vista A)

El lavadero necesita una capacidad mínima de 20 gal. (76 L). La parte superior del lavadero debe estar a una altura mínima de 30" (76,2 cm) del piso.

### Sistema de desagüe por el piso (vista B)

El sistema de desagüe por el piso necesita una desviación del sifón que puede adquirirse por separado. Vea "Herramientas y piezas".

La desviación del sifón debe estar a una distancia mínima de 28" (71 cm) de la parte inferior de la lavadora. Se pueden necesitar mangueras adicionales.



## Requisitos eléctricos

### **⚠ ADVERTENCIA**



#### Peligro de Choque Eléctrico

Conecte a un contacto de pared de conexión a tierra de 3 terminales.

No quite la terminal de conexión a tierra.

No use un adaptador.

No use un cable eléctrico de extensión.

No seguir estas instrucciones puede ocasionar la muerte, incendio o choque eléctrico.

- Se necesita un suministro eléctrico de 120 voltios, 60 hertzios, CA solamente, de 15 ó 20 amperios y protegido con fusibles. Se aconseja el uso de un fusible retardador o cortacircuitos. Asimismo se recomienda el uso de un circuito independiente que preste servicio únicamente a este aparato.
- Esta lavadora viene equipada con un cable eléctrico dotado de un enchufe con tres terminales y conexión a tierra.
- Para reducir el peligro de posibles choques eléctricos, el cable debe ser enchufado en un contacto apropiado de pared de tres terminales, conectado a tierra de acuerdo con los códigos y normas locales. Si no hay disponible una salida equivalente, es responsabilidad y obligación personal del cliente de tener una salida a tierra apropiada instalada por un electricista calificado.
- Si los códigos lo permiten y se emplea un alambre de conexión a tierra separado, es recomendable que un electricista calificado determine si la trayectoria de conexión a tierra es adecuada.

- No haga la conexión a tierra en un tubo de gas.
- Si no está seguro de que la conexión a tierra de la lavadora sea la adecuada, verifíquela con un electricista competente.
- No tenga ningún fusible en el circuito neutro o de conexión a tierra.

### INSTRUCCIONES PARA LA CONEXIÓN A TIERRA

#### Para una lavadora conectada a tierra con cable eléctrico:

Esta lavadora debe conectarse a tierra. En caso de funcionamiento defectuoso o avería, la conexión a tierra reducirá el riesgo de choque eléctrico al proporcionar una vía de menor resistencia para la corriente eléctrica. Esta lavadora viene equipada con un cable eléctrico que tiene un conductor de conexión a tierra del equipo y un enchufe con conexión a tierra. El enchufe debe conectarse en un contacto de pared apropiado que haya sido debidamente instalado y conectado a tierra de conformidad con todos los códigos y ordenanzas locales.

**ADVERTENCIA:** La conexión incorrecta de la terminal de conexión a tierra del equipo puede ocasionar un riesgo de choque eléctrico. Consulte con un electricista o técnico en reparaciones calificado si tiene duda alguna en cuanto a la conexión a tierra correcta del electrodoméstico.

No modifique el enchufe provisto con el electrodoméstico. Si éste no encaja en el contacto de pared, pida a un electricista calificado que le instale un contacto de pared apropiado.

#### Para una lavadora con contacto eléctrico permanente:

Esta lavadora debe conectarse a un metal puesta a tierra, un sistema con cableado permanente a tierra o conectarse a un equipo cuyo suministro incluya una terminal de tierra.

## INSTRUCCIONES DE INSTALACIÓN

### Eliminación del sistema de transporte

### **⚠ ADVERTENCIA**

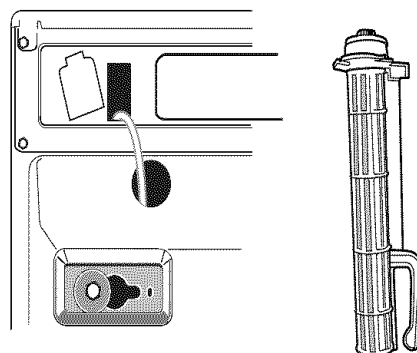
#### Peligro de Peso Excesivo

Use dos o más personas para mover e instalar la lavadora.

No seguir esta instrucción puede ocasionar una lesión en la espalda u otro tipo de lesiones.

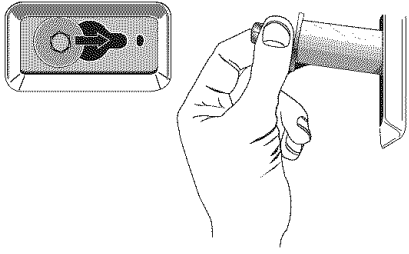
**IMPORTANTE:** Coloque la lavadora de modo que la parte posterior del aparato esté aproximadamente a 3 pies (90 cm) de distancia de su ubicación final.

Hay 4 pernos en el panel posterior de la lavadora, los cuales sostienen el sistema de suspensión durante el transporte. Estos pernos también retienen el cable de suministro de energía dentro de la lavadora hasta que se quiten los pernos.



1. Utilice una llave de tuercas de 13 mm para aflojar cada uno de los pernos.

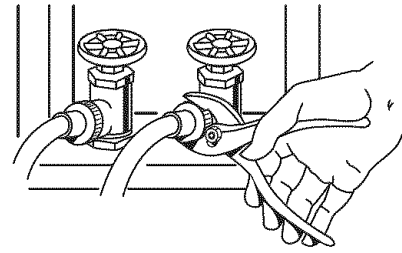
- Una vez que el perno esté flojo, muévelo hacia el centro del agujero y jálalo hacia fuera por completo, incluyendo el espaciador de plástico que cubre el perno.



- Una vez que se hayan quitado los 4 pernos, descarte los pernos y los espaciadores. Luego retire el cable de suministro de energía por la abertura del panel trasero y cierre el orificio con la tapa adjunta.
- Cierre los orificios para pernos con los 4 tapones para orificios de pernos de transporte.

**NOTA:** Llame a su centro de servicio más cercano si la lavadora se va a transportar unos días más tarde. Para prevenir daños estructurales y de suspensión, su máquina debe estar debidamente preparada para ser nuevamente ubicada por un técnico certificado.

- Usando los alicates, apriete los acoplamientos dos tercios de vuelta adicional.



**NOTA:** No los apriete demasiado. Se pueden dañar los acoplamientos.

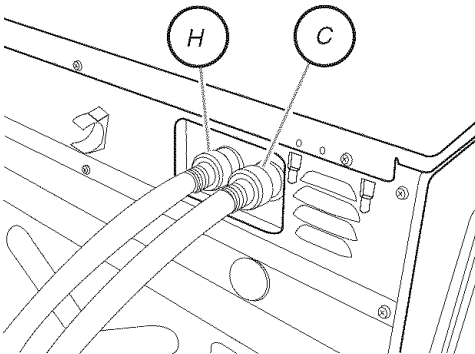
- Abra los grifos del agua y revise si hay fugas de agua.
- NOTA:** Reemplace las mangueras de entrada después de 5 años de uso para reducir el riesgo de que fallen. Para consulta en el futuro, anote en las mangueras la fecha de instalación o la fecha de reposición de las mismas.

Inspeccione periódicamente y reemplace las mangueras si aparecen bultos, torceduras, cortaduras, desgaste o fugas de agua.

## Conexión de las mangueras de entrada

Asegúrese de que el tambor de la lavadora esté vacío.

- Conecte la manguera con el indicador rojo a la válvula de entrada Caliente (izquierda). El conectar el acoplamiento rojo primero facilita el ajuste de la conexión con los alicates. Atornille el acoplamiento con la mano hasta que se asiente en la arandela.
- Conecte la manguera con el indicador azul a la válvula de entrada del agua Fría (derecha). Atornille el acoplamiento con la mano hasta que se asiente en la arandela.



H. Entrada de agua caliente  
C. Entrada de agua fría

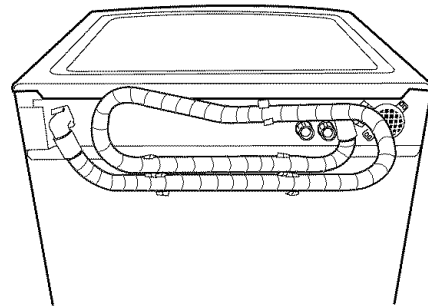
- Usando los alicates, fíjese cuánto están apretados los acoplamientos de la manguera que ya están sujetos a la lavadora.
- NOTA:** No los apriete demasiado. Se pueden dañar los acoplamientos.
- Conecte la manguera que tiene el indicador de color rojo con el grifo del agua caliente. Atornille el acoplamiento con la mano hasta que quede asentado en la arandela.
  - Conecte la manguera que tiene el indicador de color azul al grifo del agua fría. Atornille el acoplamiento con la mano hasta que quede asentado en la arandela.

## Tendido de la manguera de desagüe

El tendido apropiado de la manguera de desagüe protege sus pisos contra daños ocasionados por fugas de agua. Lea y siga estas instrucciones.

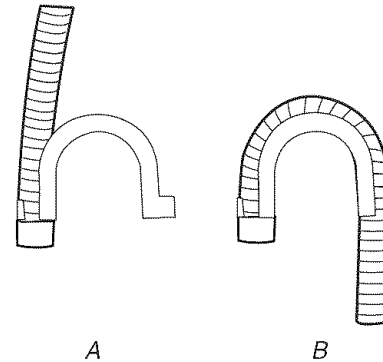
### Quite la manguera de desagüe del gabinete de la lavadora

Jale suavemente del molde de la manguera de desagüe corrugada para sacarla de los sujetadores de embalaje.



### Desagüe de la tina de lavadero o desagüe de tubo vertical

Conexión del molde de la manguera de desagüe a la manguera de desagüe corrugada.



- A. Encaje cualquiera de los extremos del molde a la manguera de desagüe en el lugar donde comienza el corrugado.
- B. Doble la manguera de desagüe sobre el molde y trábela en su lugar.

### Para evitar que el agua de desagüe vuelva a la lavadora:

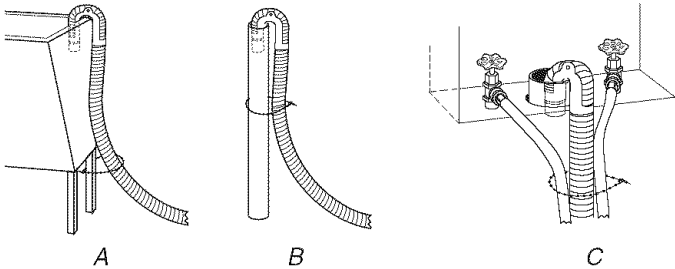
- No enderece la manguera de desagüe, y no fuerce el exceso de la manguera de desagüe dentro del tubo vertical. La manguera debe quedar asegurada pero lo suficientemente floja que permita un espacio para el aire.
- No tienda el exceso de la manguera en el fondo del lavadero.

### Desagüe por el piso

Quizás necesite piezas adicionales. Vea desagüe por el piso en la sección "Herramientas y piezas".

### Fijación de la manguera de desagüe

1. Coloque el cable eléctrico encima de la lavadora.
2. Asegure la manguera de desagüe a la pata del lavadero o al tubo vertical utilizando el fleje rebordeado que viene con la lavadora. (Vea las ilustraciones A y B.)



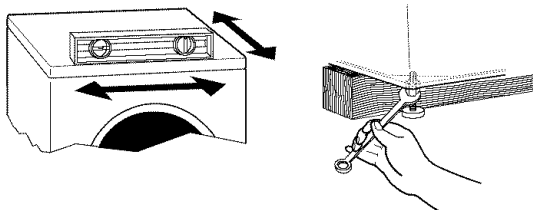
Si los grifos de la lavadora y el tubo vertical de desagüe están empotrados (vea la ilustración C), ponga el extremo en forma de gancho de la manguera de desagüe en el tubo vertical. Enrolle el fleje rebordeado con firmeza alrededor de las mangueras de entrada del agua y de la manguera de desagüe.

No fuerce el exceso de la manguera de desagüe dentro del tubo vertical.

### Nivelación de la lavadora

La nivelación apropiada de su lavadora evita el ruido excesivo y la vibración.

1. Revise si la lavadora está nivelada colocando un nivel en el borde superior de la lavadora, primero de lado a lado, luego de frente hacia atrás.



Si la lavadora está contra la pared, mueva la lavadora ligeramente hacia fuera antes de inclinarla hacia atrás. Si la lavadora no está nivelada, primero apunte la parte frontal con un bloque de madera y regule las patas según sea necesario; después apunte la parte de atrás y regule las patas según sea necesario. Repita este paso hasta que la lavadora quede nivelada.

2. Asegúrese de que las cuatro patas estén estables y descansando sobre el suelo. Después verifique que el aparato esté perfectamente nivelado (use un nivel).

3. Una vez que la lavadora esté nivelada, use una llave de boca de 17 mm para apretar las tuercas de las patas contra el gabinete de la lavadora.

**IMPORTANTE:** Se deben ajustar las cuatro patas. Si no se aprietan las tuercas contra el gabinete de la lavadora, la lavadora podría vibrar.

4. La lavadora no deberá moverse del frente hacia atrás, de lado a lado o diagonalmente cuando se la empuje sobre sus bordes superiores.
5. Deslice la lavadora hasta su ubicación final.
6. Verifique el grado de nivelación de la lavadora.

### Complete la instalación

1. Revise los requisitos eléctricos. Asegúrese de contar con la fuente de electricidad correcta y el método recomendado de conexión a tierra. Vea "Requisitos eléctricos".
2. Cerciérese de que todas las piezas estén instaladas. Si hay alguna pieza extra, vuelva a revisar todos los pasos para ver cuál se omitió.
3. Cerciérese de tener todas las herramientas necesarias.
4. Deshágase de todos los materiales de embalaje o recíclelos.
5. Cerciérese de que los grifos del agua estén abiertos.
6. Revise si hay fugas de agua alrededor de los grifos y las mangueras de entrada.

## ⚠ ADVERTENCIA



### Peligro de Choque Eléctrico

**Conecte a un contacto de pared de conexión a tierra de 3 terminales.**

**No quite la terminal de conexión a tierra.**

**No use un adaptador.**

**No use un cable eléctrico de extensión.**

**No seguir estas instrucciones puede ocasionar la muerte, incendio o choque eléctrico.**

7. Conecte a un contacto de pared de conexión a tierra de 3 terminales.
8. Lea "Uso de la lavadora".
9. Para probar y limpiar su lavadora, mida  $\frac{1}{2}$  de la cantidad de detergente de alto rendimiento (HE) recomendada por el fabricante para una carga mediana. Vierta el detergente en el depósito del detergente. Seleccione Normal/Informal (NORMAL/CASUAL) y luego seleccione Sostenga para poner en marcha (HOLD TO START). Deje que la lavadora funcione durante un ciclo completo.



Use solamente un detergente de alto rendimiento (HE).

# CARACTERÍSTICAS Y BENEFICIOS

## Controles electrónicos

Los controles electrónicos flexibles son fáciles de usar, ya sea usted principiante o experto.

## Depósitos inteligentes

Los depósitos inteligentes realzan la característica automática de su lavadora. Esta lavadora proporciona un depósito de cuatro compartimientos, el cual incluye compartimientos separados para el detergente del lavado principal, suavizante de telas, blanqueador y para el prelavado automático o el remojo automático. El depósito tiene zonas grandes para el vertido; es de limpieza automática y se puede quitar con facilidad. Los productos de lavandería se diluyen con el agua y se incorporan a la carga de ropa en el momento oportuno del ciclo de lavado.

## Nivel automático del agua

Esta lavadora regula automáticamente el nivel del agua para lograr un rendimiento óptimo de limpieza y enjuague. Dos sensores determinan el tamaño de la carga, su composición y el nivel de espuma; luego los sensores regulan el nivel del agua al ajuste apropiado. De este modo se evita hacerlo al cálculo. El nivel del agua es el apropiado para cada tamaño de carga de lavado.

## Cargas más voluminosas

Debido a que no tiene agitador, usted puede lavar artículos más voluminosos y más grandes como un cubrecama de cama doble. También puede lavar más ropa a la vez, lo que significa menor cantidad de lavados.

## Sistema de suspensión

Para reducir los problemas de la “caminata” y el “desequilibrio” de la lavadora, su nueva lavadora cuenta con:

- 2 resortes para aislar la vibración
- 4 amortiguadores en la base de la lavadora para minimizar el movimiento.

## Tambor de acero inoxidable

El tambor de acero inoxidable elimina la corrosión y permite velocidades más altas, logrando mayor extracción del agua, que a su vez reduce el tiempo de secado.

## Sistema de lavado de alto rendimiento

Su lavadora de carga frontal y alto rendimiento ahorra tiempo con menos lavados, más voluminosos y reduce los gastos de agua y electricidad ayudando a conservar los recursos.

## Velocidades de exprimido

Esta lavadora selecciona automáticamente la velocidad de exprimido según el ciclo seleccionado. Sin embargo, se puede modificar este ajuste de fábrica. Esta lavadora ofrece un máximo de cinco opciones distintas de velocidad de exprimido.

## Elemento de calefacción

Esta lavadora tiene un elemento calefactor que automáticamente calienta el agua hasta la temperatura óptima en determinados ciclos. Esto permite la limpieza escalonada, un proceso en el cual el agua tibia ingresa y se mezcla con el detergente primero, después el agua se calienta. El agua tibia quita manchas como las de sangre y huevos, y el agua caliente quita manchas grasosas como las de sudor y aceite sucio de mecánico. El calentador se activa con los ciclos de Higienización, Blancos blanquísimos y Lavado intenso.

## Control automático de temperatura

El control automático de temperatura detecta y mantiene la temperatura del agua uniformemente. El control automático de temperatura regula el agua de entrada fría y caliente. El control automático de temperatura se enciende automáticamente cuando se ha seleccionado un ciclo.

## Agregado de prendas

Cuando esta opción esté disponible al comienzo del ciclo, la luz de estado de agregar prendas (Add A Garment) se iluminará durante los primeros 8 minutos. Esta lavadora permite que durante un período de 8 minutos se puedan agregar a una carga prendas que se hayan olvidado.

## Acción de limpieza especial con Inyección directa

Esta lavadora canaliza el 100% del agua a través de los depósitos para asegurar un enjuague a fondo y la mezcla de todos los aditivos antes de que entren en contacto con las prendas. Luego viene el rociado del agua desde la parte superior frontal hacia el centro de la carga, proporcionando una distribución pareja y un rendimiento de limpieza óptimo. Es normal que quede un poco de agua en los dispensadores al término del ciclo de lavado.

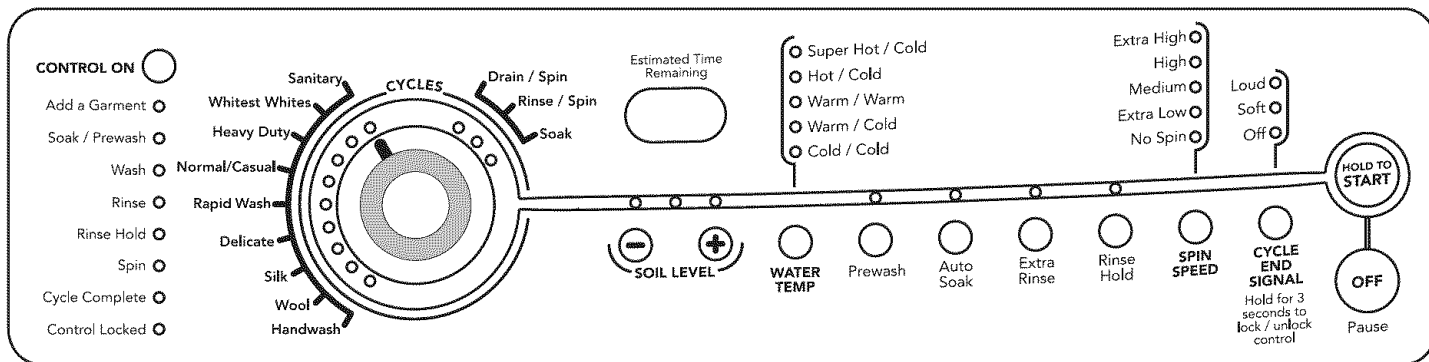
## Sistema de detergente eficiente

Esta lavadora cuenta con una válvula de diseño especial que se cierra durante la porción de lavado del ciclo de modo que el 100% del agua y la mezcla del detergente se utiliza en la carga. El Sistema de detergente eficiente asegura que no se desperdicie agua o detergente.

## Detección dinámica de desequilibrio

Esta lavadora utiliza dos sensores para detectar el tamaño de carga y la cantidad de desequilibrio de la carga. El sistema de suspensión y los controles cuentan con un diseño especial que permite la redistribución automática de la carga.


# USO DE LA LAVADORA



**NOTA:** El panel que se muestra más arriba puede ser diferente del de su modelo.

## Puesta en marcha de la lavadora

**⚠ ADVERTENCIA**



**Peligro de Incendio**

**Nunca coloque en la lavadora artículos que estén humedecidos con gasolina o cualquier otro líquido inflamable.**

**Ninguna lavadora puede eliminar completamente el aceite.**

**No seque ningún artículo que haya tenido alguna vez cualquier tipo de aceite (incluyendo aceites de cocina).**

**No seguir estas instrucciones puede ocasionar la muerte, explosión o incendio.**

**ADVERTENCIA:** A fin de reducir el riesgo de incendio, de choque eléctrico o de daños personales, lea las INSTRUCCIONES IMPORTANTES DE SEGURIDAD antes de operar este aparato.

La siguiente es una guía para el empleo de su lavadora. Consulte las secciones específicas de este manual para obtener información detallada.

No almacene productos de lavandería encima de esta lavadora. La vibración es normal durante el funcionamiento.

## Uso de detergente adecuado

Use solamente detergentes de alto rendimiento. El paquete para este tipo de detergente incluye la indicación "HE" o "Alto Rendimiento". Con este nuevo sistema y el menor uso de agua, se formará demasiada espuma si se utiliza un detergente común que no sea de Alto Rendimiento (HE). El uso de un detergente común probablemente derive en errores de la lavadora, tiempos de ciclo más prolongados y menor rendimiento de enjuague. También podrá producir fallas de los componentes y evidente formación de moho. Los detergentes de Alto Rendimiento están hechos para producir la cantidad adecuada de espuma para el mejor rendimiento. Siga las instrucciones del fabricante para determinar la cantidad de detergente que debe usar.



Use solamente un detergente de alto rendimiento (HE).

### Primer ciclo de lavado sin ropa

Antes de lavar la ropa por primera vez, elija el ciclo Normal/ Informal (Normal/Casual) y póngalo a funcionar sin ropa, si esto no se ha completado durante el paso final de la instalación. Use solamente un detergente de alto rendimiento (HE). Use  $\frac{1}{2}$  de la cantidad recomendada por el fabricante para una carga de tamaño mediano. Este ciclo inicial sirve para asegurar la limpieza del interior de la lavadora antes de lavar la ropa.

### Para todos los ciclos de lavado

- Abra la puerta de la lavadora jalando la manija. Separe la ropa por color y tipo de tela. Coloque una carga de ropa separada en la lavadora. No sobrecargue la lavadora. El sobrecargar la lavadora puede causar una limpieza insatisfactoria.
  - La lavadora puede llenarse por completo, pero sin apretujar la ropa. La puerta de la lavadora debe cerrarse con facilidad.
  - Mezcle artículos grandes y chicos, y evite lavar artículos separados. Coloque la carga uniformemente.
  - Se recomienda lavar pequeños artículos como calcetines de niños en una bolsa de malla para prendas.
  - Al sacar las prendas de la lavadora, de vez en cuando revise si no han quedado pequeños artículos debajo del borde de goma que está al frente de la tina.

- Cierre la puerta de la lavadora empujándola con firmeza hasta que escuche el chasquido de la traba. La puerta de la lavadora permanecerá con seguro durante el ciclo de lavado.

**NOTA:** Al cabo de cualquier ciclo de lavado, se debe abrir la puerta y luego cerrarla para que pueda iniciar un nuevo ciclo. La puerta puede abrirse únicamente si se ha seleccionado Pausa/Anulado (PAUSE/OFF); mientras la luz de agregado de prendas (ADD A GARMENT) está encendida o si se ha anulado el ciclo. Vea “Para anular un ciclo”.

- Abra la gaveta del depósito y agregue los productos de lavandería en los compartimientos de detergente, blanqueador, o suavizante de telas. Cierre la gaveta lentamente para evitar derrames. Vea “Uso del depósito”.
- Encienda la lavadora seleccionando Control encendido (CONTROL ON). Seleccione uno de los ciclos girando el selector de ciclos. La luz indicadora del ciclo seleccionado se iluminará. Al seleccionar un ciclo de lavado, las opciones prefijadas, la temperatura del agua, la velocidad de exprimido, y el nivel de suciedad para el ciclo seleccionado se encenderán. La pantalla muestra el tiempo aproximado restante. Los ajustes prefijados proporcionan el cuidado recomendado de las telas en el ciclo seleccionado. Vea “Ciclos”.
- Seleccione las opciones deseadas, tales como prelavado (Prewash), remojo automático (Auto Soak), enjuague adicional (Extra Rinse) y mantener el enjuague (Rinse Hold). No todas las opciones están disponibles con todos los ciclos. Vea “Opciones”.
- Seleccione los modificadores deseados, tales como nivel de suciedad (Soil Level), temperatura del agua (Water Temp), velocidad de exprimido (Spin Speed) y señal de fin de ciclo (Cycle End Signal). No todos los modificadores están disponibles con todos los ciclos y opciones. Vea “Modificadores”.
- Si lo desea, seleccione Señal de fin de ciclo (CYCLE END SIGNAL). Esta señal es útil cuando tiene que lavar artículos que deben quitarse de la lavadora tan pronto ésta se detenga. Seleccione alto (LOUD), bajo (SOFT) o apagado (OFF).
- Para comenzar el ciclo de lavado de inmediato**  
 Seleccione HOLD TO START (Sostener para poner en marcha).
  - Si no selecciona HOLD TO START dentro de 5 minutos de haber elegido el ciclo, la lavadora se apaga automáticamente.
  - Al terminar el ciclo de lavado, la luz de estado Ciclo completo (CYCLE COMPLETE) se ilumina, la puerta se destraba y se puede descargar la lavadora. La lavadora se apaga automáticamente 5 minutos después que el ciclo se complete y se apague la luz de Ciclo completo (CYCLE COMPLETE). Para apagar la lavadora manualmente al cabo de un ciclo, seleccione Pausa/ Apagado (PAUSE/OFF) una vez.

## Uso del depósito

Su nueva lavadora tiene una gaveta de depósito con cuatro compartimientos separados para sus productos de lavandería – dos son para el detergente, otro es para el blanqueador líquido con cloro y el otro es para el suavizante líquido de telas. Los productos de lavandería se diluyen y se distribuyen automáticamente en el momento oportuno durante el ciclo de lavado, sin que usted tenga que regresar en el transcurso del ciclo de lavado para agregarlos.

Es normal que quede un poco de agua en los depósitos al término del ciclo de lavado.

No ponga aditivos de lavandería directamente en la tina de lavado. Siempre use los depósitos apropiados al agregar productos de lavandería.

## Selección del detergente adecuado

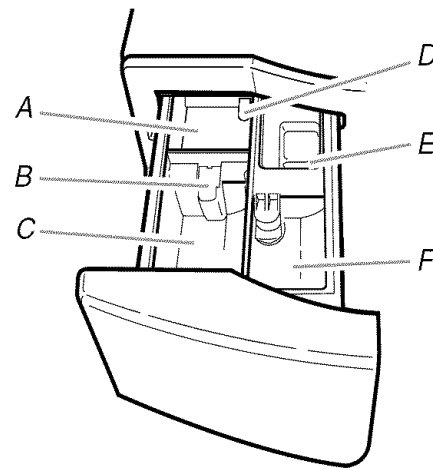
Use solamente detergentes de alto rendimiento. El paquete para este tipo de detergente incluye la indicación “HE” o “Alto Rendimiento”. Con este nuevo sistema y el menor uso de agua, se formará demasiada espuma si se utiliza un detergente común que no sea de Alto Rendimiento. El uso de un detergente común probablemente derive en errores de la lavadora, tiempos de ciclo más prolongados, menor rendimiento de enjuague, como así también en fallas de los componentes y evidente formación de moho. Los detergentes de Alto Rendimiento están hechos para producir la cantidad adecuada de espuma para el mejor rendimiento. Siga las instrucciones del fabricante para determinar la cantidad de detergente que debe usar.



Use solamente un detergente de alto rendimiento (HE).

## Para llenar los compartimientos del depósito

- Jale la gaveta del depósito.
- Agregue el producto de lavandería deseado en el compartimiento apropiado.
- Empuje la gaveta del depósito lenta y completamente hacia adentro (para evitar derrames).



Depósito

- A. Compartimiento del detergente para el prelavado
- B. Separador
- C. Compartimiento del detergente para el lavado principal
- D. Palanca de desenganche del depósito
- E. Compartimiento del blanqueador con cloro
- F. Compartimiento del suavizante de telas

## Compartimiento del detergente para el prelavado

(Letra A en la ilustración del depósito)

Agregue detergente en este compartimiento siempre que use la opción Prelavado (Prewash) o Remojo automático (Auto Soak). En este compartimiento se puede utilizar el detergente líquido o en polvo. El detergente se distribuirá automáticamente durante el prelavado si se ha seleccionado la opción Prewash, o durante el tiempo de remojo si se ha seleccionado Auto Soak.

- Utilizando sólo detergente de alta eficiencia (HE), agregue  $\frac{1}{3}$  de la cantidad recomendada en el compartimiento de prelavado y  $\frac{2}{3}$  de la cantidad recomendada en el compartimiento de lavado principal.
- No llene encima del nivel máximo (“MAX”).

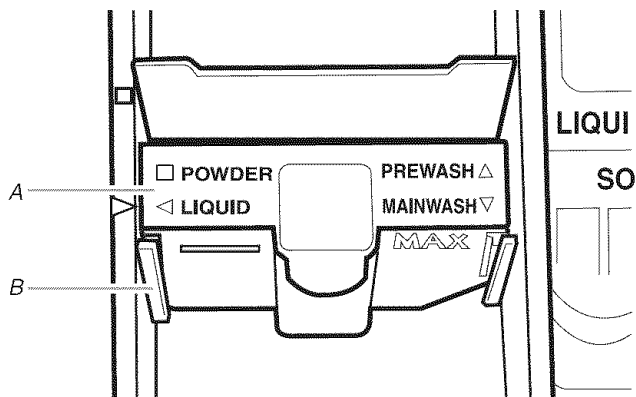
## Compartimiento del detergente para el lavado principal

(Letra C en la ilustración del depósito)

Agregue detergente líquido o en polvo en este compartimiento para su ciclo de lavado principal. El separador de detergente siempre debe estar en su lugar, ya sea en la posición frontal o en la posterior.

**IMPORTANTE:** Si está utilizando la opción Prelavado (Prewash) o Remojo (Soak) se debe usar detergente en polvo en el compartimiento del lavado principal ya que los detergentes líquidos pueden filtrarse fuera del compartimiento de lavado principal antes de que comience el lavado principal.

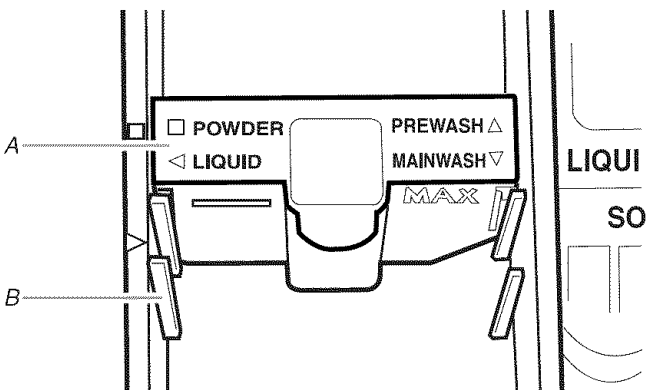
- No llene encima del nivel "MAX". Use la cantidad de detergente recomendada por el fabricante para el tamaño de la carga.
- Se puede agregar blanqueador líquido o en polvo que no decolora en el compartimiento del lavado principal junto con el mismo tipo de detergente, líquido o en polvo.
- **Detergente líquido:** Coloque el separador en la posición frontal, entre las guías, como se ilustra a continuación. No habrá espacio entre el fondo del compartimiento de detergente del ciclo de lavado y el fondo del separador.



Separador en la posición frontal, entre las guías

A. Separador  
B. Guía

- **Detergente en polvo:** Ponga el separador en la posición posterior, detrás de las guías, como se ilustra a continuación. Habrá un espacio entre el fondo del compartimiento de detergente del ciclo de lavado y el fondo del separador.



Separador en la posición posterior, detrás de las guías

A. Separador  
B. Guía

**NOTA:** Cuando sea enviado de fábrica, el separador estará en la posición de detergente en polvo ("POWDER") – (parte posterior).

## Compartimiento del blanqueador con cloro

(Letra E en la ilustración del depósito)

Agregue no más de 1/3 de taza (80 mL) del blanqueador líquido con cloro en este compartimiento. El blanqueador se diluirá y distribuirá automáticamente en el momento oportuno durante el primer enjuague después del ciclo de lavado. Este compartimiento no puede diluir blanqueador en polvo.

- Siempre mida el blanqueador líquido con cloro. Use una taza medidora con pico vertedor; no lo haga al cálculo.
- No llene encima del nivel "MAX". El sobrellenado puede ocasionar serios daños en las prendas.

## Compartimiento del suavizante de telas

(Letra F en la ilustración del depósito)

Agregue 1/4 de taza (60 mL) del suavizante líquido de telas en este compartimiento. El suavizante de telas se distribuirá automáticamente en el enjuague final.

- No llene encima del nivel "MAX".

## Cómo hacer una pausa o reanudar la marcha

1. Para detener la lavadora en cualquier momento, seleccione Pausa/Apagado (PAUSE/OFF).
2. Para reanudar el ciclo, seleccione Sostener para poner en marcha (HOLD TO START) (durante 1 segundo aproximadamente).

## Cambio de ciclos, opciones y modificadores

No todas las opciones y modificadores están disponibles con todos los ciclos. Los ciclos, opciones y modificadores se pueden cambiar en cualquier momento antes de seleccionar Sostener para poner en marcha (HOLD TO START).

Las Opciones y Modificadores se pueden cambiar en cualquier momento después de seleccionar HOLD TO START y antes de que comience la opción o modificador seleccionado.

### Para anular un ciclo y seleccionar uno nuevo

1. Seleccione PAUSE/OFF dos veces.
2. Seleccione el ciclo deseado.
3. Seleccione las Opciones (OPTIONS) deseadas.
4. Seleccione HOLD TO START (durante 1 segundo aproximadamente) para reanudar la marcha de la lavadora al inicio de un nuevo ciclo.

### Para anular un ciclo

1. Seleccione PAUSE/OFF dos veces.
2. La lavadora se apaga, la puerta se destraba y se puede sacar la ropa.

**NOTA:** Si el nivel del agua o la temperatura están demasiado altos, la lavadora escurrirá automáticamente antes de que la puerta se destrabe.

### Para cambiar Opciones o Modificadores después de que haya comenzado el ciclo

1. Seleccione PAUSE/OFF.
2. Seleccione las Opciones o Modificadores (OPTIONS o MODIFIERS) deseados.
3. Seleccione HOLD TO START (durante 1 segundo aproximadamente) para continuar el ciclo.

### Para escurrir la lavadora manualmente

1. Seleccione PAUSE/OFF.
2. Seleccione Desagüe/Exprimido (DRAIN/SPIN).
3. Seleccione HOLD TO START (durante 1 segundo aproximadamente) para comenzar el desagüe.
4. Cuando el exprimido se termina, la puerta se destraba. Se puede sacar la ropa de la lavadora.

## Luces de estado

Estas luces muestran en qué porción del ciclo está funcionando la lavadora. También indican cuándo puede agregar un artículo en el ciclo de lavado y cuándo los controles están bloqueados.



### Cómo agregar prendas

Esta lavadora permite que durante un período de 8 minutos se puedan agregar prendas que se hayan olvidado agregar a la carga. Puede agregar artículos a la lavadora si la luz de estado de agregado de prendas (ADD A GARMENT) está encendida.

### Para agregar artículos

1. Seleccione pausa/apagado (PAUSE/OFF). La puerta de la lavadora se destraba y se puede añadir artículos.
2. Para continuar el ciclo, cierre la puerta y seleccione HOLD TO START (durante 1 segundo aproximadamente).
3. Para destrabar la puerta después del período de agregar prendas, presione pausa/anulación (PAUSE/CANCEL) dos veces. Esto anulará el ciclo de lavado.

### Ciclo completo

La luz de ciclo completo permanece encendida por 5 minutos después de que el ciclo se termine y luego se apaga la lavadora.

### Cómo bloquear los controles

El Bloqueo de controles (Control Lock) evita el uso accidental de la lavadora. También puede usar la función de bloqueo de controles para evitar cambios accidentales del ciclo o de opciones durante un ciclo. Cuando CONTROL LOCKED está encendido, todos los botones están desactivados excepto PAUSE/OFF y START (Inicio). Usted puede bloquear los controles mientras la lavadora se encuentre en funcionamiento.

### Para bloquear los controles

Seleccione y sostenga la señal de fin de ciclo (CYCLE END SIGNAL) por 3 segundos.



La luz de CONTROL LOCKED se ilumina.

### Para desbloquear los controles

Seleccione y sostenga CYCLE END SIGNAL durante 3 segundos hasta que la luz de estado CONTROL LOCKED se apague.

### Bloqueo de la puerta

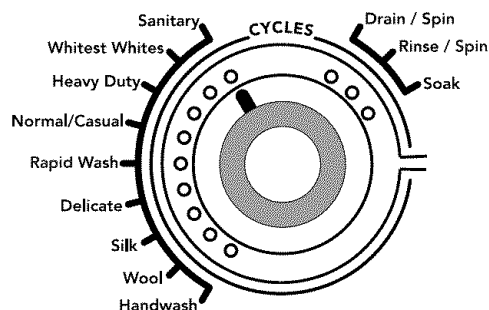
Cuando la luz de estado se enciende, la puerta está bloqueada.

## Tiempo restante estimado

El tiempo del ciclo varía automáticamente basado en la presión de agua, temperatura del agua, detergente y carga de ropa. El tiempo del ciclo se alargará si hay demasiada espuma o si la carga no está balanceada. La rutina de espuma quita la espuma excedente y asegura el enjuague apropiado de sus prendas. Durante la rutina de desequilibrio, el tiempo en la pantalla puede hacer una pausa hasta que se complete esta actividad; luego reanuda el ciclo. Estas rutinas pueden agregar hasta media hora al tiempo del ciclo por omisión.

## Ciclos

Los ciclos se pueden seleccionar girando la perilla de control de ciclos hacia el ciclo deseado. Cada ciclo fue diseñado para distintos tipos de tela y niveles de suciedad.



- Cada ciclo tiene los siguientes ajustes prefijados: Nivel de suciedad (Soil Level) (tiempo de ciclo), Temperatura del agua (Water Temperature) y Velocidad de exprimido (Spin Speed), y puede tener opciones prefijadas. Los ajustes prefijados proporcionan el cuidado recomendado de las telas en el ciclo seleccionado.
- Los ajustes prefijados pueden cambiarse en cualquier momento antes de oprimir Sostener para poner en marcha (HOLD TO START). No todas las opciones y modificadores están disponibles con todos los ciclos. (Para cambiar los ajustes después de que haya comenzado el ciclo, oprima Pausa/Apagado (PAUSE/OFF) una vez, luego seleccione los ajustes deseados. Presione HOLD TO START para continuar el ciclo.)

### Higienización (Sanitary)

Use este ciclo para lavar telas que no destiñen, con suciedad profunda. Este ciclo combina una temperatura de agua super caliente y agitación de alta velocidad para ayudar a eliminar la suciedad y manchas profundas. Es recomendable fijar el calentador de agua en 120°F (49°C) para asegurar un rendimiento adecuado durante este ciclo. El ciclo de higienización también ayuda a eliminar 99,999% de 3 bacterias de infección comunes, aún cuando no se emplee blanqueador. El exprimido a velocidad extra alta ayuda a acortar el tiempo de secado.

### Blancos Blanquísimos (Whitest Whites)

Este ciclo ha sido diseñado especialmente para el lavado de telas blancas sucias con la ayuda del blanqueador. Las temperaturas elevadas de lavado aseguran la óptima acción del blanqueador. Un enjuague adicional proporciona un rendimiento óptimo de enjuague para evitar residuos de cloro en su ropa. Este ciclo combina una agitación veloz, un tiempo de lavado más prolongado y un exprimido a velocidad extra alta para acortar el tiempo de secado.

### Lavado intenso (Heavy Duty)

Use este ciclo para lavar telas resistentes que no destiñen y prendas con suciedad profunda. Este ciclo combina una agitación veloz, un tiempo de lavado más prolongado y un exprimido a velocidad extra alta para acortar el tiempo de secado. Si la temperatura del agua está más baja que la necesaria para este ciclo, el calentador calentará el agua hasta la temperatura óptima.

**NOTA:** Use el ciclo de lavado intenso para la eliminación de suciedades orgánicas tales como la sangre.

### Normal/Informal (Normal/Casual)

Use este ciclo para lavar tejidos de algodón y lino con suciedad normal. Este ciclo combina una agitación media y un exprimido a alta velocidad.

### Lavado rápido (Rapid Wash)

Use este ciclo para lavar cargas pequeñas de prendas con suciedad ligera que necesite de prisa. Este ciclo combina una agitación veloz, un tiempo de lavado corto y un exprimido a velocidad extra alta para acortar el tiempo de secado.

### Delicado (Delicate)

Use este ciclo para lavar telas que no se planchan y prendas con etiquetas de "Planchado permanente" o "Libre de arrugas" o cuya etiqueta de cuidado indica usar un ciclo "Delicado". Este ciclo combina una agitación a baja velocidad y exprimido lento para reducir las arrugas.

### Seda (Silk)

Use este ciclo para lavar prendas de seda lavables. (Verifique las instrucciones de la etiqueta para asegurarse de que la prenda es lavable.) Este ciclo agita con cuidado y escurre sin exprimir para un lavado delicado de las prendas y para reducir la formación de arrugas. Debido a la ausencia de exprimido, el contenido de agua en las prendas será mayor al final de este ciclo.

### Lana (Wool)

Use este ciclo para lavar prendas de lana lavables a máquina. (Verifique las instrucciones de cuidado para asegurarse de que la prenda es lavable.) Este ciclo presenta una agitación suave y un exprimido de baja velocidad para proveer un cuidado óptimo de las prendas.

### Lavado a mano (Handwash)

Use este ciclo para lavar prendas de lavado a mano y de cuidado especial. De manera similar en que se lavan las prendas a mano en el lavadero, la acción de lavado de este ciclo combina períodos de agitación a velocidad baja y remojo. El exprimido a velocidad baja reduce la formación de arrugas.

### Remojo (Soak)

Use el ciclo de Remojo para quitar manchas pequeñas de suciedad adherida a las telas. Este ciclo proporciona un tiempo de remojo con agua tibia o fría seguido por el escurrido. El agua extra, una fase corta de agitación para la distribución equitativa de la ropa, y un tiempo de remojo sin movimiento del tambor mejoran la remoción de manchas adheridas. El desagüe sin agitación asegura un tratamiento suave aún para los artículos delicados.

### Enjuague/Exprimido (Rinse/Spin)

Use este ciclo sólo para enjuagar y exprimir. Este ciclo combina una agitación veloz y un exprimido a velocidad extra alta. Si lo desea, puede reducir la velocidad de exprimido seleccionando la velocidad que desee del modificador Velocidad de exprimido (SPIN SPEED).

#### Un ciclo de Enjuague/Exprimido es útil para

- Cargas que necesitan únicamente enjuague.
- Agregarle suavizante a la carga.

### Desagüe/Exprimido (Drain/Spin)

Use este ciclo para vaciar el agua de la lavadora o para escurrir y exprimir la ropa. La velocidad de exprimido ha sido prefijada en extra alta. Si lo desea, puede reducir la velocidad de exprimido seleccionando la velocidad que desee del modificador SPIN SPEED.

**NOTA:** Las cargas de fibras sintéticas, fibras delicadas, de lavado a mano y de lana se deben escurrir sin exprimir o con un exprimido a baja velocidad para evitar deformaciones de las telas.

#### Ajustes prefijados de ciclos

Cada ciclo tiene los siguientes ajustes prefijados: Nivel de suciedad (Soil Level) (tiempo de ciclo), Temperatura del agua (Water Temperature) y Velocidad de exprimido (Spin Speed). Los ajustes prefijados proporcionan el cuidado recomendado de las telas en el ciclo seleccionado. Vea el cuadro.

| Ciclo                                 | Nivel de suciedad (tiempo del ciclo) | Temperatura del agua    | Velocidad de Exprimido |
|---------------------------------------|--------------------------------------|-------------------------|------------------------|
| Higienización (Sanitary)              | Normal (1:55)                        | Súper Caliente/<br>Fría | Extra Alta*            |
| Blancos Blanquísimos (Whitest Whites) | Normal (1:00)                        | Caliente/Fría           | Extra Alta*            |
| Lavado intenso (Heavy Duty)           | Normal (1:15)                        | Caliente/Fría           | Extra Alta*            |
| Normal/Informal (Normal/Casual)       | Normal (0:40)                        | Tibia/Fría              | Alta                   |
| Lavado rápido (Rapid Wash)            | Menos suciedad (0:35)                | Tibia/Fría              | Extra Alta*            |
| Delicado (Delicate)                   | Normal (0:35)                        | Tibia/Fría              | Mediana                |
| Seda (Silk)                           | Normal (0:26)                        | Fría/Fría               | No exprime             |
| Lana (Wool)                           | Normal (0:30)                        | Fría/Fría               | Mediana                |

| Ciclo                             | Nivel de suciedad (tiempo del ciclo) | Temperatura del agua | Velocidad de Exprimido |
|-----------------------------------|--------------------------------------|----------------------|------------------------|
| Lavado a mano (Hand-wash)         | Normal (0:30)                        | Fría/Fría            | Extra baja             |
| Remojo (Soak)                     | Normal (0:30)                        | Tibia/Fría           | No exprime             |
| Enjuague/ Exprimido (Rinse/ Spin) | Normal (0:21)                        | Fría/Fría            | Extra Alta             |
| Desagüe/ Exprimido (Drain/ Spin)  | Normal (0:11)                        | N/A                  | Extra Alta             |

\*Las velocidades de exprimido pueden variar en algunos modelos.

### Para cambiar los ajustes de ciclos prefijados

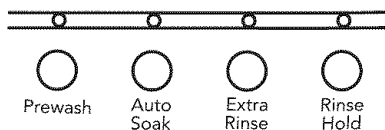
Oprima el selector de cada ajuste hasta que destelle el ajuste deseado.

### Sonidos normales de la lavadora

Como ocurre con cualquier producto nuevo, usted escuchará sonidos a los cuales no está acostumbrado. Podrá oír varios sonidos al trabar o destrabar la puerta, y durante el proceso de lavado, enjuague y exprimido. Durante los intervalos entre las etapas de lavado, habrá pausas momentáneas. Usted escuchará el rociado y chapoteo del agua durante los ciclos de lavado y enjuague. Estos nuevos sonidos y pausas son parte del funcionamiento normal de la lavadora.

## Opciones

Usted puede personalizar su lavado al agregar opciones a sus selecciones de ciclo. Puede agregar o cambiar una opción después del inicio del ciclo en cualquier momento antes de que comience la opción seleccionada. No todas las opciones están disponibles con todos los ciclos.



- Vea la sección “Guía para el lavado” para obtener un cuadro global de las opciones posibles en cada selección de ciclo de lavado.
- Usted puede seleccionar más de una opción por ciclo. Algunas opciones no se pueden añadir a ciertos ciclos. Por ejemplo, Prelavado (Prewash) no puede añadirse al ciclo Lavado rápido (Rapid Wash).
- Si una determinada opción está disponible en el ciclo seleccionado, la luz de esa opción se iluminará al ser seleccionada.
- Si una determinada opción no está disponible en el ciclo seleccionado, se escuchará una señal audible corta y la luz para esa opción no se iluminará al ser seleccionada.

### Prelavado (Prewash)

Use esta opción para cargas con suciedad profunda que necesitan tratamiento previo. Esta opción añade al ciclo de lavado principal un período de 15 minutos de prelavado y escurrido.

#### NOTAS:

- Agregue el detergente en los compartimientos de Prelavado (Prewash) y Lavado principal (Main Wash) de la gaveta de depósito.
- Cuando use el prelavado (Prewash), use detergente en polvo para el ciclo de lavado principal porque el detergente líquido se filtrará en la lavadora durante el Remojo automático.

**NOTA:** Las opciones de Prelavado y Remojo automático no se pueden seleccionar en el mismo ciclo.

### Remojo automático (Auto Soak)

Use la opción Remojo automático (Auto Soak) para cargas de algodón, lino, poliéster o náilon con suciedad profunda y manchas rebeldes. Durante el remojo automático, el agua ingresará al tambor y la ropa se distribuirá uniformemente mediante una fase de agitación breve. Subsecuentemente la ropa se remojará por etapas sin movimiento del tambor. Después del remojo, la lavadora se escurre sin exprimir.

- Agregue el detergente en los compartimientos de Prelavado y Lavado principal de la gaveta de depósito.
- Use detergente en polvo para el ciclo de lavado principal porque el detergente líquido se filtrará en la lavadora durante el remojo automático.
- Para ciclos con temperaturas de lavado caliente, la temperatura de remojo está ajustada a tibia (WARM). De lo contrario, la temperatura de remojo es igual a la temperatura de lavado.
- Las opciones de remojo automático y prelavado no se pueden seleccionar en el mismo ciclo.

### Enjuague adicional

Se puede utilizar un enjuague adicional para asegurar la eliminación de residuos del detergente o del blanqueador que haya quedado en las prendas. Esta opción proporciona un enjuague adicional con la misma temperatura del agua del primer enjuague.

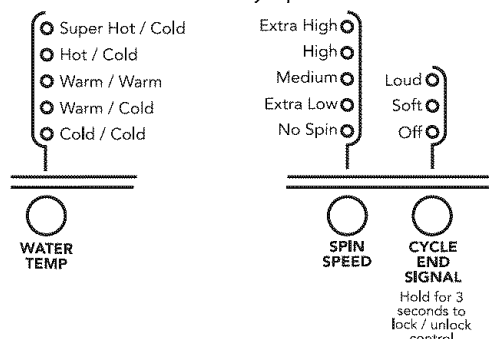
### Mantener el enjuague

Use esta opción para evitar que la ropa se arrugue cuando no pueda sacar la carga de la lavadora inmediatamente. El ciclo de lavado hace una pausa antes de la fase de desagüe y exprimido final, de manera que la carga permanece en el agua de enjuague hasta que continúe el ciclo. Esto provee un cuidado óptimo contra las arrugas para la carga húmeda. La puerta permanece trabada durante el ciclo de mantener el enjuague (Rinse Hold) y la luz indicadora destella.

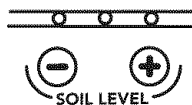
Presione RINSE HOLD para terminar el ciclo y descargar la lavadora.

## Modificadores

Los ajustes prefijados de los ciclos de nivel de suciedad (Soil level) (tiempo del ciclo), Temperatura del agua (Water Temperature) y Velocidad de exprimido (Spin Speed) pueden modificarse. Usted puede cambiar el modificador después de iniciar el ciclo en cualquier momento antes de que comience el modificador seleccionado. No todos los modificadores están disponibles con todos los ciclos y opciones.



- Para cambiar la temperatura del agua, seleccione el botón Temperatura del agua (WATER TEMP) hasta que el ajuste deseado se ilumine.
- Para cambiar la velocidad de exprimido, seleccione el botón Velocidad de exprimido (SPIN SPEED) hasta que el ajuste deseado se ilumine.
- Para cambiar el volumen de la señal de Fin de ciclo (Regulable), seleccione (ADJUSTABLE) END OF CYCLE SIGNAL.



- Para cambiar el tiempo del ciclo, seleccione el botón Nivel de suciedad (SOIL LEVEL).

### Temperatura de Lavado/Enjuague

Seleccione una temperatura de agua basada en el tipo de carga que esté lavando. Use el agua más caliente que la tela pueda resistir. Siga las instrucciones de la etiqueta de las prendas.

Los enjuagues tibios dejan las cargas más secas que los enjuagues fríos. Los enjuagues tibios aumentan la formación de arrugas. En climas fríos, el enjuague tibio hace que la ropa sea más cómoda para manipular. Los enjuagues fríos ahorran energía.

### Guía de la temperatura

| Temperatura del agua de lavado  | Telas sugeridas   |
|---------------------------------|---|
| <b>Muy caliente (SUPER HOT)</b> | Telas resistentes que no destiñen<br>Suciedad profunda  |
| <b>Caliente (HOT)</b>           | Ropa blanca y de color pastel<br>Suciedad profunda      |
| <b>Tibia (WARM)</b>             | Colores brillantes<br>Suciedad entre moderada y ligera  |
| <b>Fría (COLD)</b>              | Colores que destiñen o que se opacan<br>Suciedad ligera |

En temperaturas de agua inferiores a 60°F (15,6°C), los detergentes no se disuelven bien. Además puede resultar difícil quitar la suciedad.

### Control automático de temperatura

El control automático de temperatura detecta y mantiene la temperatura del agua uniformemente. El control automático de temperatura regula el agua de entrada fría y caliente. El control automático de temperatura se enciende automáticamente cuando se ha seleccionado un ciclo. Vea "Ajustes prefijados de ciclos" en la sección "Ciclos".

- Los controles automáticos de temperatura funcionan para todos los ajustes de temperatura de lavado y secado.

## Guía para el lavado

Consulte este cuadro para obtener sugerencias sobre tipos de cargas y sus ciclos correspondientes. A la derecha se detallan las opciones disponibles para cada uno de estos ciclos de lavado.

| CICLO  | TIPO DE CARGA SUGERIDA  | OPCIONES DISPONIBLES  |            |                            |                       |
|--|---|-----------------------|------------|----------------------------|-----------------------|
|  |   | Enjuague/<br>Sostener | Prelavado* | Remojo<br>Automá-<br>tico* | Enjuague<br>adicional |
| <b>Higienización<br/>(Sanitary)</b>                  | Ropa interior, toallas, ropa de trabajo, pañales, etc. con suciedad profunda  | ✓                     | ✓          | ✓                          | ✓                     |
| <b>Blancos<br/>Blanquísimos<br/>(Whitest Whites)</b> | Telas blancas con suciedad profunda   | ✓                     | ✓          | ✓                          | ✓                     |
| <b>Lavado intenso<br/>(Heavy Duty)</b>               | Ropa interior, toallas, camisas, etc. con suciedad profunda   | ✓                     | ✓          | ✓                          | ✓                     |
| <b>Normal/<br/>Informal<br/>(Normal/Casual)</b>      | Blusas, camisas, overoles, etc. de poliéster, nailon, algodón, lino o mezclas de algodón con suciedad normal  | ✓                     | ✓          | ✓                          | ✓                     |
| <b>Lavado rápido<br/>(Rapid Wash)</b>                | Ropa deportiva de algodón, poliéster, nailon y mezclas de algodón con suciedad ligera   | ✓                     |            | ✓                          | ✓                     |
| <b>Ropa Delicada<br/>(Delicate)</b>                  | Use este ciclo para lavar telas que no se planchan y prendas con etiquetas de "Planchado permanente" o "Libre de arrugas" o cuya etiqueta de cuidado indica usar un ciclo "Delicado". | ✓                     | ✓          | ✓                          | ✓                     |
| <b>Seda (Silk)</b>                                   | Ropa de seda, cuya etiqueta indica que se pueden lavar en la lavadora   | ✓                     |            |                            | ✓                     |
| <b>Lana (Wool)</b>                                   | Ropa de lana con un acabado sin fieltro, cuya etiqueta indica que se pueden lavar en la lavadora  | ✓                     |            |                            | ✓                     |
| <b>Lavado a mano<br/>(Handwash)</b>                  | Telas de seda, artículos muy finos etiquetados para "lavado a mano"   | ✓                     |            |                            | ✓                     |
| <b>Remojo (Soak)</b>                                 | Telas de algodón, lino, poliéster o nailon  |                       |            |                            |                       |
| <b>Enjuague/<br/>Remojo<br/>(Rinse/Spin)</b>         | Telas de algodón, lino, poliéster o nailon  | ✓                     |            |                            | ✓                     |
| <b>Desagüe/<br/>Exprimido<br/>(Drain/Spin)</b>       | Telas de algodón, lino, poliéster o nailon  |                       |            |                            |                       |

\*No se puede seleccionar Prelavado (Prewash) y Remojo automático (Auto Soak) a la vez.

# CONSEJOS DE LAVANDERÍA

## Preparación de la ropa para lavar

Siga estas recomendaciones para ayudarle a prolongar la vida de sus prendas.

- Use solamente detergentes de alto rendimiento. El paquete para este tipo de detergente incluye la indicación "HE" o "Alto Rendimiento". Con este sistema de lavado y el menor uso de agua, se formará demasiada espuma si se utiliza un detergente común que no sea de Alto Rendimiento. El uso de un detergente común probablemente derive en errores de la lavadora, tiempos de ciclo más prolongados, menor rendimiento de enjuague, así como también en fallas de los componentes y evidente formación de moho. Los detergentes de Alto Rendimiento HE están hechos para producir la cantidad adecuada de espuma para el mejor rendimiento. Siga las instrucciones del fabricante para determinar la cantidad de detergente que debe usar.



Use solamente un detergente de alto rendimiento (HE)

- Cierre los zípers, broches de presión y corchetes para evitar que enganchen otros artículos. Quite alfileres, hebillas y demás objetos duros para evitar que rayen el interior de la lavadora. Quite todo adorno y ornamento que no sea lavable.
- Vacíe los bolsillos y vuévalos al revés.
- Doble los puños y limpie con un cepillo la pelusa y la suciedad.
- Vuelva al revés las prendas de tejido sintético para evitar que se llenen de pelusas.
- Ate los cordones y fajas de modo que no se enreden.
- Remiende lo que esté roto así como las costuras y dobladillos flojos.
- Trate las manchas y suciedades.
- Las prendas manchadas o mojadas deberán lavarse con prontitud para obtener mejores resultados.
- Mezcle artículos grandes y pequeños, evite lavar artículos separados y cargue de modo uniforme.
- Lave los artículos pequeños, tales como calcetines de niños, en bolsas de malla para prendas. Para crear una carga balanceada, se recomienda usar más de una bolsa para prendas y que cada una de ellas se llene con la misma cantidad de material.

**NOTA:** Si solamente va a lavar prendas en bolsas de malla, se recomienda usar más de una bolsa para prendas y que cada una de ellas se llene con la misma cantidad de material.

## Selección de la ropa

- Separe las prendas con suciedad profunda de las que están ligeramente sucias, aún cuando éstas normalmente se lavarían juntas. Separe las prendas que sueltan pelusa (toallas, felpilla) de las que atraen pelusa (pana, artículos sintéticos y de planchado permanente). Siempre que sea posible, vuelva al revés las prendas que sueltan pelusa.
- Separe los colores oscuros de los colores claros, los artículos no desteñibles de los que sí lo son.
- Separe por tipo de tela y estructura (prendas fuertes de algodón, tejidos de punto y prendas finas).

## Cómo descargar

- Saque la ropa de la lavadora después de que se haya completado el ciclo. Los objetos metálicos como zípers, broches a presión y hebillas pueden herrumbrarse si se dejan en la lavadora por largo tiempo.
- Al sacar las prendas de la lavadora, de vez en cuando revise si no han quedado pequeños artículos debajo del sello/fuelle de goma gris que está al frente de la tina.

## Cómo cargar

### Sugerencias para cargar (cargas máximas de ropa).

#### Ropa pesada de trabajo

|                           |                         |
|---------------------------|-------------------------|
| 4 pantalones de mezclilla | 2 pantalones de deporte |
| 4 pantalones de trabajo   | 2 camisetas de deporte  |
| 4 camisas de trabajo      |                         |

#### Toallas

|                    |                     |
|--------------------|---------------------|
| 10 toallas de baño | 14 toallas faciales |
| 10 toallas de mano |                     |

#### Carga mixta

|  |                     |
|--|---------------------|
| 3 sábanas (1 de cama doble,<br>2 de camas gemelas) | 9 camisetas         |
| 4 fundas   | 9 pantalones cortos |
| 3 camisas  | 10 pañuelos         |
| 3 blusas   |                     |

# CUIDADO DE LA LAVADORA

## Cómo limpiar su lavadora

### Limpieza externa

Use un paño suave y húmedo o una esponja para limpiar cualquier derrame. De vez en cuando, limpie el exterior de su lavadora para que se vea como nueva. Use jabón suave y agua. No use productos abrasivos.

### Limpieza del interior

Para mantener el interior de su lavadora limpio, haga funcionar el ciclo Sanitario (Sanitary) pero sin ropa. Use  $\frac{1}{2}$  de la cantidad de detergente de alto rendimiento (HE) en polvo o líquido recomendada por el fabricante para cargas medianas.

## Limpeza del sello de la puerta

Revise de vez en cuando si hay algún objeto extraño en el pliegue del sello. Para limpiar el sello, mezcle una solución diluida utilizando  $\frac{3}{4}$  de taza (177,4 mL) de blanqueador líquido con cloro y 1 gal. (3,8 L) de agua tibia del grifo. Limpie el área del sello con la solución diluida y un paño húmedo. Déjela reposar durante 5 minutos. Limpie el área meticulosamente con un paño seco y deje que el interior de la lavadora se seque al aire con la puerta abierta.

### IMPORTANTE:

- Use guantes de goma cuando limpie por períodos prolongados.
- Vea las instrucciones de uso adecuado provistas por el fabricante del blanqueador.

## Limpeza de la gaveta de depósito

La gaveta de depósito es desmontable para facilitar la limpieza.

1. Destrabe la gaveta de depósito presionando la palanca de desenganche que está en el compartimiento de prelavado. Vea "Uso del depósito". Quite la gaveta.
2. Quite los insertos (el sifón de los compartimientos del suavizante y del blanqueador y el separador).
3. Lave las piezas en el agua del grifo.
4. Vuelva a colocar los insertos y coloque nuevamente el depósito en la gaveta.

## Mangueras de entrada de agua

Reemplace las mangueras de entrada después de cinco años de uso para reducir el riesgo de fallas de las mismas. Revise periódicamente y cambie las mangueras de entrada si se hallan protuberancias, torceduras, cortes, desgaste o pérdidas de agua.

Cuando reemplace las mangueras de entrada del agua, anote la fecha de reposición.

## Cuidado para las vacaciones, el almacenaje o en caso de mudanza

Instale y guarde su lavadora en un lugar donde no se congele. Debido a que puede quedar un poco de agua en las mangueras, el congelamiento de la misma podría dañar su lavadora. Si va a guardar o trasladar su lavadora durante una temporada de invierno riguroso, acondiciónela para el invierno.

### Cuidado durante la falta de uso o vacaciones:

Ponga a funcionar su lavadora únicamente cuando esté en casa. Si va a salir de vacaciones o no va a usar la lavadora durante un período prolongado de tiempo usted debe:

- Desenchufar la lavadora o desconectar el suministro de energía.
- Interrumpir el suministro de agua a la lavadora. Esto ayuda a evitar inundaciones involuntarias (debido a aumentos en la presión del agua) en ausencia suya.
- Abrir ligeramente la puerta para proporcionar ventilación.

### Para acondicionar la lavadora para el invierno:

1. Vierta 1 cuarto (1 L) de anticongelante tipo R.V. en el tambor.
2. Ponga la lavadora a funcionar en el ciclo DRAIN/SPIN.
3. Desenchufe la lavadora o desconecte el suministro de energía.
4. Cierre ambos grifos de agua.
5. Desconecte las mangueras de entrada del agua de los grifos y elimine el agua.

## Para volver a usar la lavadora:

1. Deje correr agua por las tuberías. Vuelva a conectar las mangueras de entrada del agua a los grifos. Abra ambos grifos de agua.

## ⚠ ADVERTENCIA



### Peligro de Choque Eléctrico

**Conecte a un contacto de pared de conexión a tierra de 3 terminales.**

**No quite la terminal de conexión a tierra.**

**No use un adaptador.**

**No use un cable eléctrico de extensión.**

**No seguir estas instrucciones puede ocasionar la muerte, incendio o choque eléctrico.**

2. Enchufe la lavadora o vuelva a conectar el suministro de energía.
3. Ponga la lavadora a funcionar en el ciclo normal/informal (Normal/Casual) con un  $\frac{1}{2}$  de la cantidad de detergente de alto rendimiento HE recomendada por el fabricante para una carga de tamaño mediano, para limpiar la lavadora y eliminar el anticongelante, de haberlo usado.

### Para transportar la lavadora:

1. Si va a mover la lavadora durante una temporada de invierno riguroso, coloque 1 cuarto (1 L) de anticongelante tipo R.V. en el tambor. Ponga la lavadora a funcionar en el ciclo DRAIN/SPIN.
2. Desenchufe el cable eléctrico.
3. Desconecte la manguera de desagüe del sistema de desagüe y fíjela a los ganchos del panel posterior.
4. Cierre ambos grifos de agua.
5. Desconecte las mangueras de entrada del agua de los grifos, luego elimine el agua de las mangueras y fíjelas al panel posterior de la lavadora.

**IMPORTANTE:** Llame para solicitar servicio. No vuelva a usar los pernos de transporte. La unidad debe ser transportada en la posición vertical. Para prevenir daños estructurales y de suspensión, su máquina debe estar debidamente preparada para ser nuevamente ubicada por un técnico certificado.

### Para volver a instalar la lavadora

1. Siga las "Instrucciones de instalación" para ubicar, nivelar y conectar la lavadora.
2. Ponga la lavadora a funcionar en el ciclo normal/informal (Normal/Casual) con un  $\frac{1}{2}$  de la cantidad de detergente de alto rendimiento HE recomendada por el fabricante para una carga de tamaño mediano, para limpiar la lavadora y eliminar el anticongelante, de haberlo usado.

# SOLUCIÓN DE PROBLEMAS

Pruebe primero las soluciones aquí sugeridas y posiblemente se evite el costo de una visita de servicio técnico...

## La pantalla de la lavadora muestra mensajes codificados y emite señales audibles

- **"FH" (Problema de entrada del agua - no hay agua o el abastecimiento del agua es insuficiente)**  
Seleccione PAUSE/OFF dos veces para anular el ciclo.  
Desenchufe la lavadora o desconecte el suministro eléctrico.

### Verifique lo siguiente:

- ¿Están completamente abiertos los grifos del agua?
- ¿Están obstruidos los filtros en la conexión de la manguera de entrada a la lavadora?
- ¿Están retorcidas las mangueras de entrada del agua?
- ¿Se han congelado las mangueras de entrada del agua?

Enchufe la lavadora o reconecte el suministro de energía. Vuelva a seleccionar el ciclo y presione HOLD TO START. Si el problema persiste, llame al servicio técnico.

- **"F02" (Problema de desagüe)**  
Seleccione PAUSE/OFF dos veces para anular el ciclo.  
Desenchufe la lavadora o desconecte el suministro eléctrico.

### Verifique lo siguiente:

- ¿Está retorcida la manguera de desagüe?
- ¿Se ha congelado la manguera de desagüe?
- ¿Está obstruida la manguera de desagüe?
- ¿Está la manguera de desagüe a una altura mayor de 96" (2,4 m) del piso?

- **"SUD" (Rutina de espuma)**  
Cuando el sistema detecta la presencia de exceso de espuma, la rutina de espuma comienza automáticamente. Esta rutina quita la espuma excedente y asegura el enjuague apropiado de sus prendas. "SUD" aparece en la pantalla durante el enjuague y al final del ciclo para informarle que la Rutina de espumas ha sido activada. Utilice solamente detergentes HE (alto rendimiento).

- **Variables "F" [diferentes de FH y F02] (Problema eléctrico)**  
Seleccione PAUSE/OFF dos veces para anular el ciclo.  
Seleccione DRAIN/SPIN si hay exceso de agua en la lavadora.

Vuelva a seleccionar el ciclo y presione HOLD TO START. Si el problema persiste, llame al servicio técnico.

## La lavadora no funciona

### ⚠ ADVERTENCIA



#### Peligro de Choque Eléctrico

Conecte a un contacto de pared de conexión a tierra de 3 terminales.

No quite la terminal de conexión a tierra.

No use un adaptador.

No use un cable eléctrico de extensión.

No seguir estas instrucciones puede ocasionar la muerte, incendio o choque eléctrico.

- **Verifique lo siguiente:**
  - ¿Está el cable eléctrico enchufado en un tomacorriente de tres terminales con conexión a tierra?
  - ¿Está cerrada con firmeza la puerta de la lavadora?
  - ¿Se ha seleccionado un ciclo, pero no se ha seleccionado HOLD TO START sosteniéndolo durante un segundo?
  - ¿Se ha abierto la puerta después de haberse terminado el ciclo anterior?

## La lavadora no se llena, ni lava ni enjuaga

- **Verifique lo siguiente:**
  - ¿Está el cable eléctrico enchufado en un tomacorriente de tres terminales con conexión a tierra?
  - ¿Hay corriente en el enchufe? Revise la fuente de electricidad o llame a un electricista.
  - ¿Están abiertas las llaves del agua caliente y del agua fría?
  - ¿Está retorcida la manguera de entrada del agua?
  - ¿Están obstruidos los filtros de la válvula de entrada del agua?

## La lavadora se detiene

### Verifique lo siguiente:

- ¿Está el cable eléctrico enchufado en un tomacorriente de tres terminales con conexión a tierra?
- ¿Hay corriente en el enchufe?  
Revise la fuente de electricidad o llame a un electricista.
- ¿Hay un fusible de la casa fundido o se disparó el cortacircuitos?  
Reemplace el fusible o reposicione el cortacircuitos. Si el problema continúa, llame a un electricista.
- ¿Está usando un cable eléctrico de extensión?  
No use un cable de extensión.

---

## La lavadora no desagua ni exprime

---

- **¿Está obstruida la manguera de desagüe, o el extremo de la manguera de desagüe está a más de 96" (2,4 m) por encima del piso?**
- **¿Está bajo el voltaje?**  
Revise la fuente de electricidad o llame a un electricista. No use un cable de extensión.
- **¿Se ha activado la rutina de espuma "SUD"?**  
El ciclo concluirá una vez que se haya eliminado el exceso de espuma.
- **¿Está balanceada la carga?**  
Un solo artículo o uno que sea voluminoso puede causar desequilibrio. Agregue más artículos o redistribuya la carga.

---

## La lavadora hace ruidos o vibra

---

### ¿Está nivelada la lavadora?

La lavadora debe estar nivelada. Las cuatro patas deben instalarse correctamente, y las tuercas deben apretarse contra el gabinete de la lavadora.

Mientras se escurre el agua de la lavadora, usted podrá oír el aire que se succiona a través de la bomba. Esto ocurre durante la fase final del escurrido. Es normal.

- **¿Está lavando artículos con broches metálicos a presión, hebillas o zippers?**  
Usted podrá escuchar el ruido producido por los artículos al tocar el tambor de la lavadora. Esto es normal.
- **¿Se ha instalado la lavadora sobre un piso resistente y firme?**  
Consulte la sección "Instrucciones de instalación" para informarse respecto a los requisitos del piso. El ruido y la vibración pueden reducirse colocando un pedazo de madera laminada de ¾" (19,1 mm) debajo de su lavadora. La madera laminada puede extenderse debajo de la lavadora y la secadora para mantenerlas a la misma altura.

---

## La lavadora pierde agua

---

- **Revise la tubería de la casa y fíjese si hay fugas de agua.**

---

## Los depósitos están obstruidos o hay fugas

---

- **¿Se han colocado los productos de lavado en el compartimiento apropiado del depósito?**  
Agregue las cantidades adecuadas de detergente, suavizante de telas o blanqueador líquido con cloro en los compartimientos apropiados. Agregue el blanqueador que no decolora o en polvo en el compartimiento del Lavado principal. Asegúrese de combinar el blanqueador en polvo no decolorante con el detergente en polvo o de combinar el blanqueador líquido no decolorante con el detergente líquido.
- **¿Está el separador de detergente en la posición correcta?**  
El separador deberá estar en la posición frontal cuando se utilice detergente líquido y en la posición posterior cuando se utilice detergente en polvo.

---

## Olores de la lavadora

---

- **Vea "Cómo limpiar su lavadora".**
- **¿Está usando detergente de alto rendimiento (HE)?**  
Si se usa detergente que no es de alto rendimiento, se pueden generar residuos de películas los que a su vez pueden producir olor.
- **¿Dejó la puerta abierta después del uso?**  
Esta lavadora tiene un sello hermético que evita las fugas de agua. Para evitar olores, deje la puerta abierta para permitir que la lavadora se seque entre cada uso.

---

## Ropa demasiado mojada

---

- **¿Ha empleado el ciclo correcto para la carga que está lavando?**  
Seleccione un ciclo con un exprimido más rápido.
- **¿Ha lavado sólo un artículo o artículos voluminosos o ha sobrecargado la lavadora?**  
Un solo artículo, artículos voluminosos, o sobrecargar pueden causar desequilibrio. Agregue artículos o trate de distribuir uniformemente la ropa mojada en el tambor, y ponga en marcha un ciclo de Desagüe/Exprimido (DRAIN/SPIN). Si la ropa continúa mojada, saque la mitad de la carga de la lavadora e inténtelo de nuevo.

---

## Residuos o pelusa en la ropa

---

- **¿Ha agregado detergente en el depósito?**  
Para obtener óptimos resultados, agregue detergente en el compartimiento del detergente. No agregue detergente en el tambor de la lavadora.
- **¿Ha separado la ropa adecuadamente?**  
Separe las prendas que sueltan pelusa (toallas, felpilla) de las que atraen pelusa (pana, artículos sintéticos). También separe por color.
- **¿Ha sobrecargado la lavadora?**  
No sobrecargue la lavadora. La lavadora puede llenarse por completo, pero sin apretujar la ropa. La carga debe estar equilibrada. Si la lavadora está sobrecargada, la pelusa puede quedar adherida a las prendas.
- **Verifique lo siguiente:**  
¿Se dejó papel o pañuelo de papel en los bolsillos?
- **¿Ha utilizado suficiente detergente HE?**  
Use suficiente detergente para retirar la pelusa y mantenerla en suspensión. Use solamente detergente HE. Siga las instrucciones del fabricante para determinar la cantidad de detergente que debe usar.
- **¿Está la temperatura del agua por debajo de 60°F (15,6°C)?**  
El agua de lavado con una temperatura inferior a 60°F (15,6°C) quizás no disuelva por completo el detergente.
- **¿Está usando un ciclo de lavado de baja velocidad?**  
Los detergentes en polvo quizás no se disuelvan bien en los ciclos de velocidad baja. Para obtener óptimos resultados, utilice detergente líquido para los ciclos de velocidad baja como Ropa delicada (Delicate), Seda (Silk), Lana (Wool) y Lavado a mano (Handwash).

---

## Manchas en la ropa

---

- **¿Ha agregado detergente en el dispensador?**  
Para obtener óptimos resultados, agregue detergente en el compartimiento del detergente. No agregue detergente en el tambor de la lavadora.
- **¿Ha usado suficiente detergente HE?**  
Use suficiente detergente para quitar la suciedad y mantenerla en suspensión. Use solamente un detergente HE (de alto rendimiento). Siga las instrucciones del fabricante para determinar la cantidad de detergente que debe usar.
- **¿Hay hierro (óxido) por encima del promedio en el agua?**  
Tal vez necesite instalar un filtro de óxido ferroso.
- **¿Ha separado la ropa adecuadamente?**  
Separe las prendas de color oscuro de las blancas y claras.
- **¿Ha descargado la lavadora con rapidez?**  
Para evitar la transferencia de tintes, descargue la lavadora tan pronto como se detenga.
- **¿Ha usado una bola con suavizante de telas?**  
Las bolas que distribuyen suavizante de telas no funcionan correctamente en esta lavadora. Agregue el suavizante líquido de telas en el compartimiento del suavizante de telas.
- **¿Ha usado detergente en polvo en un ciclo de baja velocidad?**  
Considere el empleo de un detergente líquido.
- **¿Ha usado Lavado rápido (Rapid Wash) para una carga voluminosa?**  
Para obtener óptimos resultados, use Rapid Wash para cargas pequeñas con suciedad ligera.

---

## La ropa está arrugada

---

- **¿Ha descargado la lavadora con rapidez?**  
Descargue la lavadora tan pronto como se detenga.
- **¿Ha empleado el ciclo correcto para la carga que está lavando?**  
Utilice el ciclo Ropa delicada (Delicate) u otro ciclo con velocidad baja de exprimido para reducir la formación de arrugas.
- **¿Ha sobrecargado la lavadora?**  
La carga de lavado debe estar equilibrada y sin sobrecarga. Las cargas deben moverse con libertad durante el lavado.

---

## Ropa blanca percutida y colores opacos

---

- **¿Ha separado la ropa adecuadamente?**  
Siempre que mezcle ropa blanca y de color en una carga puede ocurrir una transferencia de tintes. Separe las prendas de color oscuro de las blancas y claras.
- **¿Estaba la temperatura del agua demasiado baja?**  
Para lavar use agua caliente o tibia que no afecte la ropa. Cerciórese de que el sistema de agua caliente sea el adecuado para proveer un lavado con agua caliente.
- **¿Ha usado suficiente detergente, o tiene agua dura?**  
Use más detergente cuando lave prendas con suciedad rebelde en agua fría o dura.

---

## Ciclo demasiado prolongado

---

- **¿Ha elegido un ciclo de Higienización?**  
El calentador se activará para dar un rendimiento máximo de limpieza. Se añadirá tiempo adicional al ciclo regular para calentar el agua. Este tiempo adicional dependerá del tamaño de la carga y la temperatura del agua caliente que ingresa.
- **¿Aparece en la pantalla “SUD”?**  
Se ha detectado excesiva espuma y la rutina de espuma ha sido activada para eliminar el exceso. Esta rutina añadirá tiempo adicional al ciclo original.
- **¿Ha lavado una carga grande usando el ciclo de lavado rápido?**  
El ciclo de lavado rápido está diseñado para cargas de tamaño más pequeño (de 2 a 3 artículos de prendas con suciedad ligera). Si se lavan cargas más grandes usando este ciclo, aumentará el tiempo de lavado.
- **¿Ha lavado una carga grande usando un ciclo delicado?**  
Cuando use los ciclos de ropa delicada, lavado a mano, seda o lana debe poner cargas pequeñas. Esto le asegura un lavado delicado para sus prendas sin aumentar los tiempos del ciclo.
- **¿Ha sido la carga lo que causa un desequilibrio?**  
Cuando hay demasiado desequilibrio, una rutina de desequilibrio comenzará a redistribuir la carga. Durante la rutina de desequilibrio, el tiempo en la pantalla puede hacer una pausa hasta que se complete esta actividad; luego reanudará el resto del ciclo.

---

## La puerta está trabada al final del ciclo de lavado

---

- **¿Se ha escurrido toda el agua de la lavadora durante el período de exprimido?**  
Seleccione Desagüe/Exprimido (DRAIN/SPIN) para eliminar toda el agua que haya quedado en la lavadora. La puerta de la lavadora se destrabará al término del desagüe.

---

# AYUDA O SERVICIO TÉCNICO

---

Antes de solicitar asistencia o servicio, por favor consulte la sección "Solución de Problemas". Esto le podría ahorrar el costo de una visita de servicio técnico. Si considera que aún necesita ayuda, siga las instrucciones que aparecen a continuación.

Cuando llame, tenga a mano la fecha de compra y el número completo del modelo y de la serie de su electrodoméstico. Esta información nos ayudará a atender mejor a su pedido.

## Si necesita piezas de repuesto

Si necesita pedir piezas de repuesto, recomendamos que use únicamente partes especificadas de fábrica. Estas piezas encajarán bien y funcionarán bien ya que están fabricadas con la misma precisión empleada en la fabricación de cada electrodoméstico nuevo de Maytag®. Para encontrar piezas de repuesto especificadas de fábrica en su localidad, llame a nuestro Centro de ayuda al cliente de Maytag Services, LLC o al centro de servicio designado por Maytag más cercano a su localidad.

---

## En los EE.UU.

Llame al Centro de ayuda al cliente de Maytag Services, LLC sin costo alguno al: **1-800-688-9900**.

### Nuestros consultores ofrecen asistencia con respecto a:

- Características y especificaciones de nuestra línea completa de electrodomésticos
- Información sobre instalación
- Venta de piezas para reparación y accesorios
- Asistencia especializada para el consumidor (habla hispana, problemas de audición, visión limitada, etc.)
- Recomendaciones a distribuidores locales, compañías que dan servicio y distribuidores de piezas para reparación. Los técnicos de servicio designados por Maytag están entrenados para cumplir con la garantía del producto y ofrecer servicio una vez que la garantía termine, en cualquier lugar de los Estados Unidos.

Para localizar a una compañía de servicio designada por Maytag en su área, también puede consultar la sección amarilla de su guía telefónica.

### Para obtener más asistencia

Si necesita asistencia adicional, puede escribir a Maytag con sus preguntas o dudas a:

Maytag Services, LLC  
ATTN: CAIR® Center  
P.O. Box 2370  
Cleveland, TN 37320-2370

Favor de incluir un número telefónico de día en su correspondencia.

---

## En Canadá

Llame a Ayuda al cliente de Maytag Services, LLC sin costo alguno al: **1-800-688-2002**.

### Nuestros consultores ofrecen asistencia con respecto a:

- Procedimiento para el uso y mantenimiento
- Venta de accesorios y partes para reparación
- Características y especificaciones de nuestra línea completa de aparatos electrodomésticos
- Recomendaciones con distribuidores locales, compañías que dan servicio y distribuidores de partes para reparación. Los técnicos de servicio designados por Maytag están entrenados para cumplir con la garantía del producto y ofrecer servicio una vez que la garantía termine, en cualquier lugar de Canadá.

### Para obtener más asistencia

Si necesita asistencia adicional, puede escribir a Maytag con sus preguntas o dudas a:

Maytag Services, LLC  
ATTN: CAIR® Center  
P.O. Box 2370  
Cleveland, TN 37320-2370

Favor de incluir un número telefónico de día en su correspondencia.

# GARANTÍA DE LOS ELECTRODOMÉSTICOS PRINCIPALES DE MAYTAG CORPORATION

## GARANTÍA LIMITADA DE UN AÑO

Durante un año a partir de la fecha de compra, siempre y cuando se dé a este electrodoméstico principal un uso y mantenimiento de conformidad con las instrucciones adjuntas o provistas con el producto, Maytag Corporation o Maytag Limited (en lo sucesivo denominado "Maytag") se hará cargo del costo de las piezas especificadas de fábrica y del trabajo de reparación para corregir defectos en los materiales o en la mano de obra. El servicio deberá ser suministrado por una compañía de servicio designada por Maytag. Esta garantía limitada se aplica sólo cuando el electrodoméstico principal se use en el país en donde se compró.

### MAYTAG NO PAGARÁ POR LOS SIGUIENTES ARTÍCULOS

1. Visitas de servicio técnico para corregir la instalación de su electrodoméstico principal, para enseñarle a usar su electrodoméstico principal, para cambiar o reparar fusibles domésticos o para corregir la instalación eléctrica o de la tubería de la casa.
2. Visitas de servicio técnico para reparar o reemplazar focos para electrodomésticos, filtros de aire o filtros de agua. Esos insumos están excluidos de la cobertura de la garantía.
3. Reparaciones cuando su electrodoméstico principal se use de un modo diferente al doméstico normal de una familia.
4. Daños causados por accidente, alteración, uso indebido, abuso, incendio, inundación, actos fortuitos, instalación incorrecta, instalación que no esté de acuerdo con los códigos eléctricos o de plomería, o el empleo de productos no aprobados por Maytag.
5. Cualquier pérdida de comida debido a fallas del refrigerador o del congelador.
6. Piezas de repuesto o gastos de reparación para electrodomésticos que se empleen fuera de los Estados Unidos o Canadá.
7. Recogida y entrega. Este electrodoméstico principal está diseñado para ser reparado en el hogar.
8. Reparaciones de piezas o sistemas como resultado de modificaciones no autorizadas que se hayan efectuado en el electrodoméstico.
9. Gastos de viaje y transporte para obtener servicio del producto en lugares remotos.
10. La remoción e instalación de su electrodoméstico si estuviera instalado en un lugar inaccesible o si no estuviera instalado de conformidad con las instrucciones de instalación publicadas.
11. Piezas de repuesto o gastos de reparación cuando el electrodoméstico principal se use en un país diferente del país en donde se compró.

### EXCLUSIÓN DE GARANTÍAS IMPLÍCITAS; LIMITACIÓN DE RECURSOS

EL ÚNICO Y EXCLUSIVO RECURSO DEL CLIENTE SEGÚN LOS TÉRMINOS DE ESTA GARANTÍA LIMITADA SERÁ EL DE REPARAR EL PRODUCTO SEGÚN SE ESTIPULA EN LA PRESENTE. LAS GARANTÍAS IMPLÍCITAS, INCLUYENDO LAS GARANTÍAS DE COMERCIABILIDAD O DE CAPACIDAD PARA UN PROPÓSITO PARTICULAR, SERÁN LIMITADAS A UN AÑO O AL PERÍODO MÁS CORTO PERMITIDO POR LEY. MAYTAG NO SE RESPONSABILIZARÁ POR DAÑOS INCIDENTALES O CONSECUENTES. ALGUNOS ESTADOS Y PROVINCIAS NO PERMITEN LAS EXCLUSIONES O LIMITACIONES POR DAÑOS INCIDENTALES O CONSECUENTES, O LIMITACIONES ACERCA DE CUÁNTO DEBE DURAR UNA GARANTÍA IMPLÍCITA DE COMERCIABILIDAD O CAPACIDAD, DE MODO QUE LAS LIMITACIONES O EXCLUSIONES ARRIBA MENCIONADAS PUEDEN NO APLICARSE EN SU CASO. ESTA GARANTÍA LE OTORGA DERECHOS LEGALES ESPECÍFICOS Y ES POSIBLE QUE USTED TENGA TAMBIÉN OTROS DERECHOS QUE PUEDEN VARIAR DE UN ESTADO A OTRO O DE UNA PROVINCIA A OTRA.

Esta garantía no tiene vigor fuera de los cincuenta Estados Unidos y Canadá. Póngase en contacto con el distribuidor autorizado de Maytag para determinar si corresponde otra garantía.

Si necesita servicio, consulte primero la sección "Solución de problemas" del Manual de uso y cuidado. Después de consultar la sección "Solución de problemas", puede encontrar ayuda adicional en la sección "Ayuda o servicio técnico", o llamando a Maytag. En EE.UU., llame al **1-800-688-9900**. En Canadá, llame al **1-800-688-2002**.

5/06

**Guarde este libro y su comprobante de compra juntos para referencia futura. Usted deberá proporcionar el comprobante de la compra o una fecha de instalación para obtener servicio bajo la garantía.**

Escriba la siguiente información acerca de su electrodoméstico principal para ayudarle mejor a obtener asistencia o servicio técnico si alguna vez llegara a necesitarlo. Deberá tener a mano el número completo del modelo y de la serie. Usted puede encontrar esta información en la etiqueta con el número de modelo y de serie ubicada en el producto.

Nombre del distribuidor \_\_\_\_\_

Dirección \_\_\_\_\_

Número de teléfono \_\_\_\_\_

Número de modelo \_\_\_\_\_

Número de serie \_\_\_\_\_

Fecha de compra \_\_\_\_\_

# SÉCURITÉ DE LA LAVEUSE

## Votre sécurité et celle des autres est très importante.

Nous donnons de nombreux messages de sécurité importants dans ce manuel et sur votre appareil ménager. Assurez-vous de toujours lire tous les messages de sécurité et de vous y conformer.



Voici le symbole d'alerte de sécurité.

Ce symbole d'alerte de sécurité vous signale les dangers potentiels de décès et de blessures graves à vous et à d'autres.

Tous les messages de sécurité suivront le symbole d'alerte de sécurité et le mot "DANGER" ou "AVERTISSEMENT". Ces mots signifient :

**⚠ DANGER**

**Risque possible de décès ou de blessure grave si vous ne suivez pas immédiatement les instructions.**

**⚠ AVERTISSEMENT**

**Risque possible de décès ou de blessure grave si vous ne suivez pas les instructions.**

Tous les messages de sécurité vous diront quel est le danger potentiel et vous disent comment réduire le risque de blessure et ce qui peut se produire en cas de non-respect des instructions.

## IMPORTANTES INSTRUCTIONS DE SÉCURITÉ

**AVERTISSEMENT :** Pour réduire les risques d'incendie, de choc électrique ou de blessures lors de l'utilisation de la laveuse, suivre les précautions fondamentales dont les suivantes :

- Lire toutes les instructions avant d'utiliser la laveuse.
- Ne pas laver des articles qui ont été nettoyés ou lavés avec de l'essence ou imbibés d'essence, solvants de nettoyage à sec, ou autres substances inflammables ou explosives; ces substances peuvent émettre des vapeurs susceptibles de s'enflammer ou d'exploser.
- Ne pas ajouter d'essence, solvant de nettoyage à sec ou autre produit inflammable ou explosif dans l'eau de lavage. Ces substances peuvent émettre des vapeurs susceptibles de s'enflammer ou d'exploser.
- Dans certaines conditions, de l'hydrogène gazeux peut se former dans un circuit d'eau chaude qui n'a pas été utilisé pendant 2 semaines ou plus. **LE GAZ HYDROGÈNE EST EXPLOSIBLE.** Si le circuit d'eau chaude n'a pas été utilisé pendant une telle période, avant d'utiliser la laveuse, ouvrir tous les robinets d'eau chaude et laisser l'eau s'écouler pendant plusieurs minutes par chaque robinet. Ceci permettra l'évacuation de l'hydrogène gazeux accumulé. Comme ce gaz est inflammable, ne pas fumer ou utiliser une flamme nue au cours de cette période.
- Ne pas laisser des enfants jouer sur ou à l'intérieur de la laveuse. Bien surveiller les enfants lorsque la laveuse est utilisée à proximité d'enfants.
- Avant de mettre la laveuse au rebut ou hors de service, enlever la porte ou le couvercle.
- Ne pas tenter d'atteindre un article à l'intérieur de la cuve de la laveuse lorsque le tambour, la cuve ou l'agitateur est en mouvement.
- Ne pas installer ou remiser cette laveuse à un endroit où elle serait exposée aux intempéries.
- Ne pas modifier les organes de commande.
- Ne pas réparer ou remplacer un composant quelconque de la laveuse, ni entreprendre une opération de service, si ce n'est spécifiquement recommandé dans ce manuel ou dans un manuel d'instructions de réparations destiné à l'utilisateur; il est alors essentiel que la personne concernée comprenne ces instructions et soit compétente pour les exécuter.
- Voir "Spécifications électriques" pour les instructions de liaison à la terre.

**CONSERVEZ CES INSTRUCTIONS**

# EXIGENCES D'INSTALLATION

## Outillage et pièces

Rassembler les outils et pièces nécessaires avant de commencer l'installation. Les pièces fournies se trouvent dans le tambour de la laveuse.

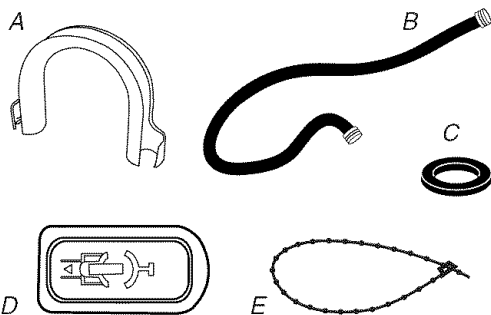
### Outils nécessaires au raccordement des tuyaux d'arrivée d'eau

- Pince (ouverture jusqu'à 1 $\frac{1}{4}$ " [39,5 mm])
- Lampe de poche (facultative)

### Outils nécessaires à l'installation

- Clés plates de 17 mm et 13 mm
- Niveau
- Cale en bois
- Règle ou mètre ruban

### Pièces fournies :



A. Bride de retenue pour tuyau de vidange

B. Tuyau d'alimentation (2)

C. Rondelle pour tuyau d'alimentation (4)

D. Bouchon pour les trous des boulons de transport (4)

E. Courroie perlée

### Autres pièces

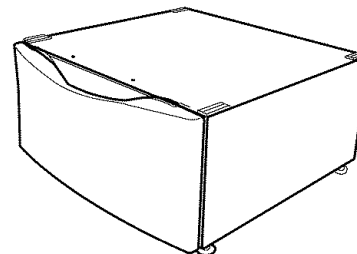
Il se peut que l'installation nécessite des pièces supplémentaires. Pour acheter l'un des articles indiqués ici, composer le numéro sans frais indiqué sur la couverture ou à la section "Assistance ou service".

| Si vous avez   | Vous devrez acheter  |
|--|--|
| Évier de buanderie ou tuyau de rejet à l'égout plus haut que 96" (2,4 m) | Système de pompe de puisard (si non déjà disponible)   |
| Égout surélevé   | Évier de vidange standard de 20 gal. (76 L) de 30" (76,2 cm) de hauteur ou évier utilitaire et pompe de puisard (disponibles chez votre fournisseur local d'articles de plomberie) |
| Égout au plancher  | Brise-siphon, Pièce numéro 285834, tuyau de vidange supplémentaire, Pièce numéro 8318155 et kit de connexion, Pièce numéro 285835  |
| Tuyau de vidange trop court  | Trousse de rallonge du tuyau de vidange de 4 pi (1,2 m), Pièce numéro 285863   |
| Robinets d'eau hors d'atteinte des tuyaux d'admission                    | 2 tuyaux d'admission d'eau plus longs :<br>6 pi (1,8 m) - Pièce numéro 76314,<br>10 pi (3 m) - Pièce numéro 350008   |

## Options

### Piédestal

Un piédestal augmentera la hauteur totale de la laveuse pour une hauteur totale d'environ 53,5" (135,9 cm).



Piédestal facultatif

Pour commander, téléphoner au marchand chez qui la laveuse a été achetée ou se référer à la section "Assistance ou service" de ce manuel.

| Hauteur du piédestal | Couleur | Numéro de pièce |
|----------------------|---------|-----------------|
| 15,5" (39,4 cm)      | Blanc   | WHP1500SQ       |
| 15,5" (39,4 cm)      | Noir    | WHP1500SB       |

### Ensemble de superposition

Prévoyez-vous de superposer votre laveuse et votre sècheuse Maytag? Pour ce faire, vous devrez acheter un ensemble de superposition.

Pour commander, téléphoner au marchand chez qui vous avez acheté votre sècheuse ou consulter la section "Assistance ou service" de ce manuel. Demander la pièce n° 8541503.

## Exigences d'emplacement

Le choix d'un emplacement approprié pour la laveuse en améliore le rendement et réduit au minimum le bruit et le "déplacement" de la laveuse.

La laveuse peut être installée sous un comptoir personnalisé, dans un sous-sol, une salle de buanderie, un placard ou un encastrement. Voir "Système de vidange".

Il faut aussi prendre en compte les exigences d'emplacement des appareils voisins. C'est à l'utilisateur qu'incombe la responsabilité de réaliser une installation correcte.

### Il vous faudra

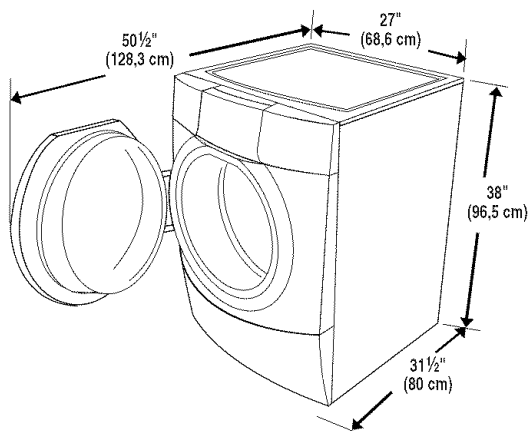
- Un chauffe-eau pour fournir de l'eau à 120°F (49°C) à la laveuse.
- Une prise électrique reliée à la terre située à moins de 6 pi (1,8 m) de la prise du cordon électrique se trouvant à l'arrière de la laveuse. Voir "Spécifications électriques".
- Des robinets d'eau chaude et d'eau froide situés à moins de 4 pi (1,2 m) des robinets d'admission d'eau chaude et d'eau froide, et une pression d'eau de 20-100 lb/po<sup>2</sup> (137,9-689,6 kPa).
- Un plancher de niveau ayant une pente maximale de 1" (2,5 cm) sous l'ensemble de la laveuse. L'installation de la laveuse sur des surfaces de sol molles, telles que tapis ou surfaces avec sous-couche en mousse n'est pas recommandée.
- Un plancher robuste et solide capable de soutenir le poids total de la laveuse (eau et charge) de 400 lb (180 kg).

Ne pas faire fonctionner la laveuse à des températures inférieures à 32°F (0°C). Une quantité d'eau peut demeurer dans la laveuse et causer des dommages à des températures basses.

### Dégagements de séparation à respecter

- L'emplacement doit être assez grand pour permettre d'ouvrir complètement la porte de la laveuse.
- Prévoir davantage d'espace pour faciliter l'installation et l'entretien.
- Un espace supplémentaire peut être requis pour les moulures de porte et de plancher et pour les plinthes.
- Un espace supplémentaire de 1" (2,5 cm) de tous les côtés de la laveuse est recommandé pour réduire le transfert du bruit.
- Il faut aussi prendre en compte l'espace requis entre les appareils voisins.

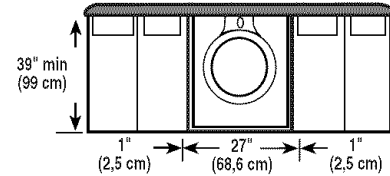
### Dimensions de la laveuse



### Espacement recommandé pour une installation personnalisée sous un comptoir

Les dimensions indiquées sont pour l'espace recommandé.

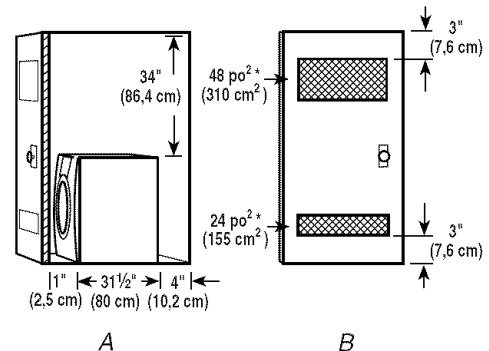
#### Installation personnalisée sous un comptoir - laveuse seulement



### Espacement recommandé pour une installation dans un encastrement ou dans un placard, avec ou sans piédestal

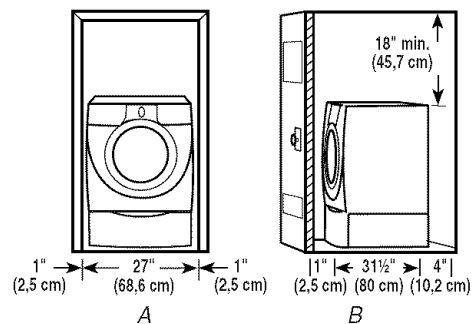
Les dimensions indiquées sont pour l'espace recommandé.

#### Installation dans un encastrement ou placard



A. Vue latérale - placard ou endroit exigu  
B. Porte de placard avec orifices d'entrée d'air

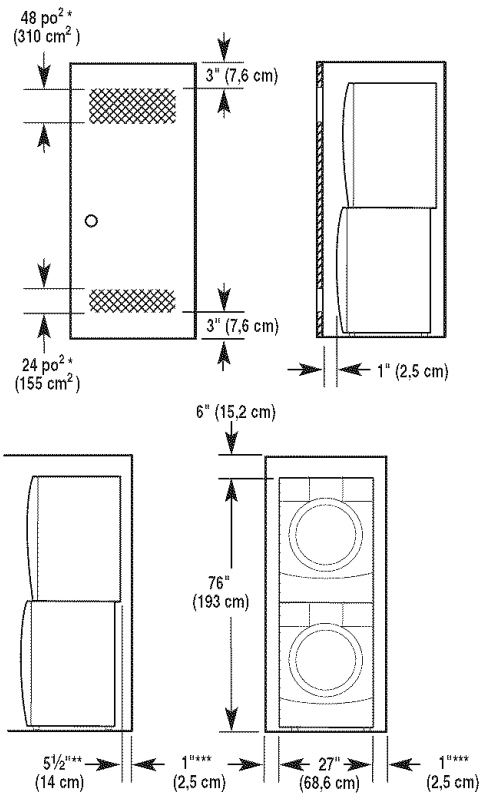
### Installation dans un encastrement ou placard - laveuse sur piédestal



A. Encastrement  
B. Vue latérale - placard ou endroit exigu

## Espacement recommandé pour une installation dans un encastrement ou dans un placard, avec laveuse et sècheuse superposées

Les dimensions indiquées sont pour l'espace recommandé.



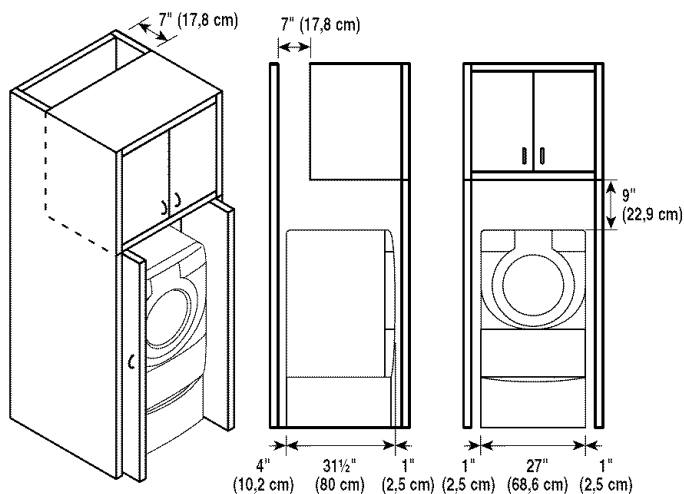
\* Ouvertures minimums en haut et en bas pour la porte du placard.

\*\* Le coude d'évacuation externe nécessite davantage d'espace.

\*\*\* Les moulures de porte et de plancher et les plinthes peuvent nécessiter un espace supplémentaire.

## Espacement recommandé pour l'installation dans un placard

- Les dimensions indiquées sont pour l'espace recommandé.
- Pour installation dans un placard avec porte, on doit prévoir des ouvertures minimums d'entrée d'air au sommet du placard.



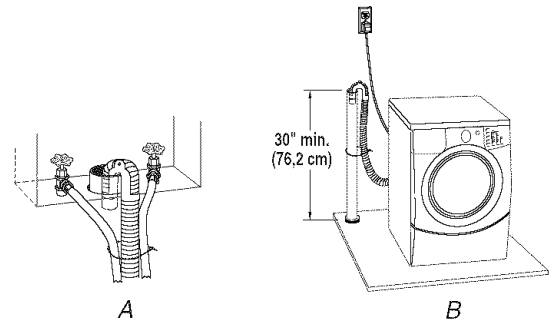
## Système de vidange

La laveuse peut être installée en utilisant le système de rejet à l'égout (au plancher ou mural), le système de vidange de l'évier de buanderie, ou le système de vidange au plancher. Sélectionner la méthode d'installation du tuyau de vidange selon les besoins. Voir "Outillage et pièces".

### Système de vidange avec tuyau de rejet à l'égout - mural ou au plancher (vues A et B)

Le système de rejet à l'égout nécessite un tuyau de diamètre minimum de 2" (5 cm). La capacité minimale d'acheminement ne doit pas être inférieure à 17 gal. (64 L) par minute.

Le sommet du tuyau de rejet à l'égout doit être au moins à 30" (76,2 cm) de hauteur et au maximum à 96" (2,4 m) de la base de la laveuse.



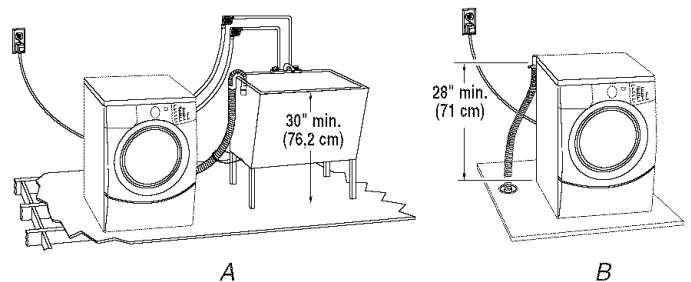
### Système de vidange avec évier de buanderie (vue A)

L'évier de buanderie doit avoir une capacité minimale de 20 gal. (76 L). La partie supérieure de l'évier de buanderie doit être à au moins 30" (76,2 cm) au-dessus du plancher.

### Système de vidange au plancher (vue B)

Le système de vidange au plancher nécessite un brise-siphon qui peut être acheté séparément. Voir "Outillage et pièces".

Le brise-siphon doit être au moins à 28" (71 cm) de la base de la laveuse. Des tuyaux supplémentaires peuvent être requis.



## Spécifications électriques

### **⚠ AVERTISSEMENT**



#### Risque de choc électrique

Brancher sur une prise à 3 alvéoles reliée à la terre.

Ne pas enlever la broche de liaison à la terre.

Ne pas utiliser un adaptateur.

Ne pas utiliser un câble de rallonge.

Le non-respect de ces instructions peut causer un décès, un incendie ou un choc électrique.

- Une alimentation de 120 volts, 60-Hz, CA seulement, de 15 ou 20 ampères, protégée par un fusible est requise. On recommande l'emploi d'un fusible ou d'un disjoncteur temporisé. Il est recommandé de raccorder l'appareil sur un circuit distinct exclusif à cet appareil.
- Cette laveuse comporte un cordon d'alimentation électrique à trois broches pour liaison à la terre.
- Pour minimiser les risques de choc électrique, on doit brancher le cordon sur une prise de courant de configuration correspondante, à 3 alvéoles, reliée à la terre et installée conformément aux codes et règlements locaux. Si une prise de courant de configuration correspondante n'est pas disponible, le client a la responsabilité et l'obligation de faire installer par un électricien qualifié une prise de courant correctement reliée à la terre.
- Si les codes le permettent et si on utilise un conducteur distinct de liaison à la terre, il est recommandé qu'un électricien qualifié vérifie la qualité de la liaison à la terre.

- Ne pas utiliser une tuyauterie de gaz pour le raccordement à la terre.
- En cas de doute quant à la qualité de la liaison à la terre de la laveuse, consulter un électricien qualifié.
- Ne pas installer un fusible dans le conducteur neutre ou le conducteur de liaison à la terre.

### INSTRUCTIONS DE LIAISON À LA TERRE

#### Pour une laveuse reliée à la terre et connectée par un cordon :

Cette laveuse doit être reliée à la terre. En cas d'anomalie de fonctionnement ou de panne, la liaison à la terre réduira le risque de choc électrique en offrant au courant électrique un itinéraire d'évacuation de moindre résistance. Cette laveuse est alimentée par un cordon électrique comportant un conducteur relié à la terre et une fiche de branchement munie d'une broche de liaison à la terre. La fiche doit être branchée sur une prise de courant appropriée qui est bien installée et reliée à la terre conformément à tous les codes et règlements locaux.

**AVERTISSEMENT :** Le raccordement incorrect de cet appareil au conducteur de liaison à la terre peut susciter un risque de choc électrique. En cas de doute quant à la qualité de la liaison à la terre de l'appareil, consulter un électricien ou technicien d'entretien qualifié.

Ne pas modifier la fiche de branchement fournie avec l'appareil – si la fiche ne correspond pas à la configuration de la prise de courant, demander à un électricien qualifié d'installer une prise de courant convenable.

#### Pour une laveuse raccordée en permanence :

Cette laveuse doit être raccordée à un système de câblage permanent en métal relié à la terre ou un conducteur relié à la terre doit être en fonction avec les conducteurs de circuit et raccordés à la borne de liaison à la terre ou la borne sur l'appareil ménager.

## INSTRUCTIONS D'INSTALLATION

### Élimination des accessoires de transport

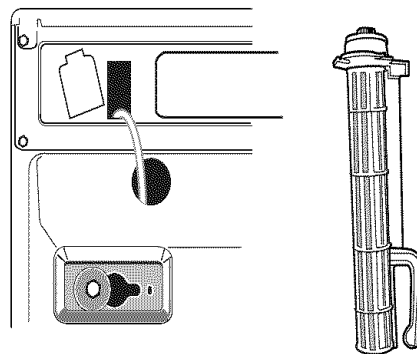
### **⚠ AVERTISSEMENT**

#### Risque du poids excessif

Utiliser deux ou plus de personnes pour déplacer et installer la laveuse.

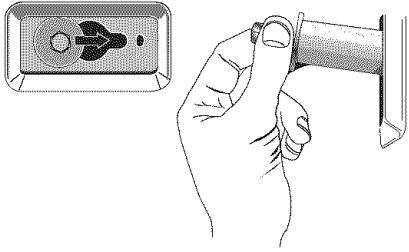
Le non-respect de cette instruction peut causer une blessure au dos ou d'autre blessure.

**IMPORTANT :** Positionner la laveuse de sorte que l'arrière de l'appareil soit à environ 3 pi (90 cm) de son emplacement final. Sur le panneau arrière de la laveuse, 4 boulons supportent le système de suspension durant le transport. Ces boulons retiennent aussi le cordon d'alimentation à l'intérieur de la laveuse jusqu'à ce qu'on les retire.



1. Au moyen d'une clé de 13 mm, desserrer chaque boulon.

- Une fois le boulon desserré, le déplacer au centre du trou et le retirer complètement, y compris la cale d'espacement en plastique couvrant le boulon.



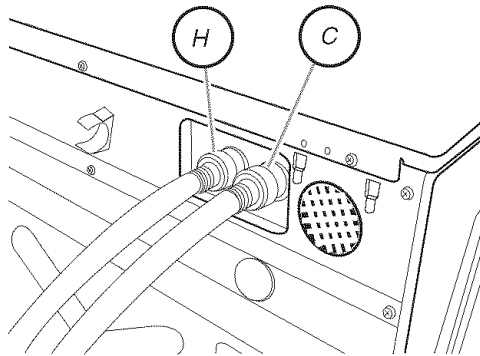
- Une fois que les 4 boulons ont été retirés, jeter les boulons et les cales d'espacement. Puis tirer le cordon d'alimentation à travers l'ouverture du panneau arrière et obturer le trou avec le bouchon fourni.
- Obturer les trous des boulons avec les 4 bouchons pour les trous des boulons de transport.

**REMARQUE :** Si la laveuse doit être transportée à une date ultérieure, appeler le centre de service local. Pour éviter d'endommager la suspension et la structure de la laveuse, celle-ci doit être correctement réinstallée par un technicien certifié.

## Raccordement des tuyaux d'alimentation

S'assurer que le tambour de la laveuse est vide.

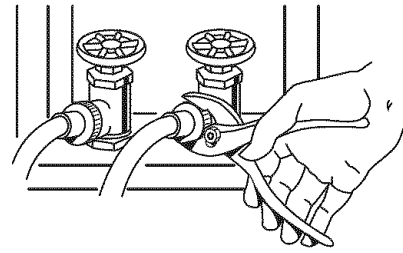
- Raccorder le tuyau à indicateur rouge à la valve du tuyau d'alimentation d'eau chaude (à gauche). Le fait d'attacher d'abord le tuyau à raccord rouge permet de resserrer plus facilement la connexion avec une pince. Visser complètement le raccord à la main pour qu'il comprime la rondelle.
- Raccorder le tuyau à indicateur bleu à la valve du tuyau d'alimentation d'eau froide (à droite). Visser complètement le raccord à la main pour qu'il comprime la rondelle.



H. Tuyau d'eau chaude  
C. Tuyau d'eau froide

- À l'aide d'une pince, vérifier l'étanchéité des raccords de tuyaux déjà reliés à la laveuse.  
**REMARQUE :** Ne pas serrer excessivement. Le raccord risque d'être endommagé.
- Raccorder le tuyau à indicateur rouge au robinet d'eau chaude. Visser complètement le raccord à la main pour qu'il comprime la rondelle.
- Raccorder le tuyau à indicateur bleu au robinet d'eau froide. Visser complètement le raccord à la main pour qu'il comprime la rondelle.

- Terminer le serrage des raccords - deux tiers de tour avec une pince.



**REMARQUE :** Ne pas serrer excessivement. Le raccord risque d'être endommagé.

- Ouvrir les robinets d'eau et vérifier s'il y a des fuites.

**REMARQUE :** Remplacer les tuyaux d'arrivée d'eau après 5 ans d'utilisation pour réduire le risque de défaillance intempestive. Prendre note de la date d'installation ou de remplacement des tuyaux d'arrivée d'eau, pour référence ultérieure.

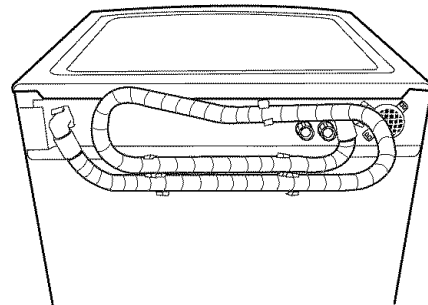
Inspecter périodiquement les tuyaux; les remplacer en cas de renflement, de déformation, de coupure, d'usure ou si une fuite se manifeste.

## Acheminement du tuyau de vidange

Le bon acheminement du tuyau de vidange protège vos planchers contre les dommages liés à une fuite d'eau. Lire et suivre ces instructions.

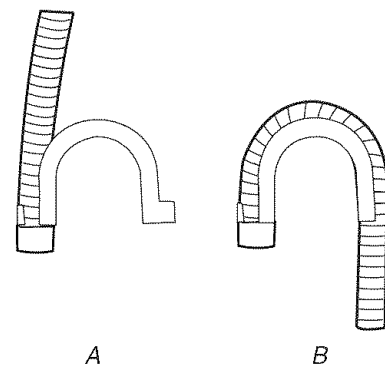
### Libération du tuyau de vidange fixé sur la caisse de la laveuse

Tirer doucement pour dégager le tuyau d'évacuation (matériau ondulé) des agrafes d'arrimage.



### Décharge de l'eau de lavage dans un évier de buanderie ou tuyau de rejet à l'égout

Connecter la bride de retenue pour tuyau de vidange sur le tuyau de vidange ondulé.



A. Emboîter une extrémité ou l'autre de la bride de retenue pour tuyau de vidange sur le tuyau de vidange, au point de commencement des ondulations.

B. Plier le tuyau de vidange pour le mettre au contact de la bride de retenue du tuyau de vidange, et l'emboîter pour la mise en place.

### Pour empêcher l'eau de vidange de refluer dans la laveuse :

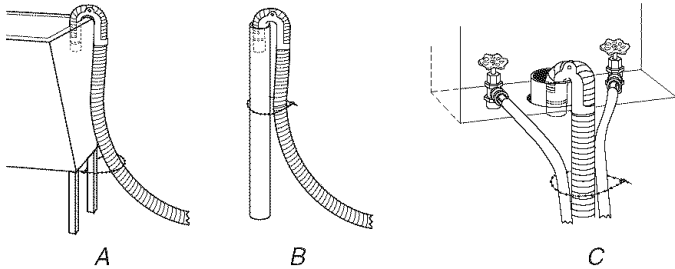
- Ne pas redresser le tuyau de vidange ni forcer l'excédent de tuyau dans le tuyau de rejet à l'égout. Le tuyau doit être bien immobilisé, tout en permettant le passage d'air.
- Ne pas mettre l'excédent du tuyau de vidange dans le fond de l'évier de buanderie.

### Égout au plancher

Il vous faudra peut-être des pièces supplémentaires. Voir Égout au plancher dans "Outillage et pièces".

### Immobilisation du tuyau de vidange

1. Faire passer le cordon d'alimentation par-dessus la laveuse.
2. Fixer le tuyau de vidange au pied de l'évier de buanderie ou au tuyau rigide de rejet à l'égout avec la courroie fournie. (Voir les illustrations A et B.)



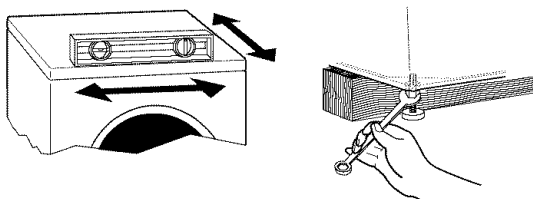
Si les robinets d'eau et le tuyau rigide de rejet à l'égout sont placés en retrait (voir illustration C), introduire l'extrémité en col de cygne du tuyau de vidange dans le tuyau rigide de rejet à l'égout. Attacher fermement les tuyaux d'arrivée d'eau et le tuyau de vidange ensemble, avec l'attache.

Ne pas forcer l'excédent du tuyau de vidange dans le tuyau rigide de rejet à l'égout.

### Réglage de l'aplomb de la laveuse

Un bon aplomb de la laveuse évite le bruit et les vibrations excessifs.

1. Utiliser un niveau placé sur le bord supérieur de la laveuse pour contrôler l'aplomb, d'abord transversalement, puis dans le sens avant arrière.



Si la laveuse est placée contre un mur, on doit l'écartier légèrement du mur avant de l'incliner vers l'arrière. Si la laveuse n'est pas d'aplomb, soulever l'avant de la laveuse avec une cale de bois et ajuster la position des pieds selon le besoin; soulever ensuite l'arrière de la laveuse et ajuster la longueur des pieds selon le besoin. Répéter ces opérations jusqu'à l'obtention d'un aplomb correct de la laveuse.

2. Vérifier que les quatre pieds sont stables et reposent sur le sol. Vérifier ensuite que l'appareil est parfaitement d'aplomb (utiliser un niveau).
3. Après avoir établi l'aplomb correct de la laveuse, utiliser une clé plate de 17 mm pour serrer l'écrou de chaque pied contre la caisse de la laveuse.

**IMPORTANT :** Les 4 pieds doivent être bien serrés. Si les écrous ne sont pas bloqués contre la caisse de la laveuse, la laveuse peut vibrer.

4. La laveuse ne doit pas bouger d'avant en arrière, latéralement ou transversalement lorsqu'on appuie sur les bords supérieurs.
5. Faire glisser la laveuse à son emplacement final.
6. Vérifier le bon aplomb de la laveuse.

### Achever l'installation

1. Consulter les spécifications électriques. Vérifier que la tension électrique disponible est correcte et que la prise de courant est convenablement reliée à la terre. Voir "Spécifications électriques".
2. Vérifier que toutes les pièces sont maintenant installées. S'il reste une pièce, passer en revue les différentes étapes pour découvrir laquelle aurait été oubliée.
3. Vérifier la présence de tous les outils.
4. Jeter/recycler tous les matériaux d'emballage.
5. Vérifier que les robinets d'eau sont ouverts.
6. Vérifier s'il y a des fuites autour des robinets et des tuyaux d'arrivée d'eau.

### ⚠ AVERTISSEMENT



#### Risque de choc électrique

**Brancher sur une prise à 3 alvéoles reliée à la terre.**

**Ne pas enlever la broche de liaison à la terre.**

**Ne pas utiliser un adaptateur.**

**Ne pas utiliser un câble de rallonge.**

**Le non-respect de ces instructions peut causer un décès, un incendie ou un choc électrique.**

7. Brancher sur une prise à 3 alvéoles reliée à la terre.
8. Lire "Utilisation de la laveuse".
9. Pour tester et nettoyer la laveuse, mesurer la moitié de la quantité de détergent HE Haute efficacité recommandée par le fabricant pour une charge de taille moyenne. Verser le détergent dans le distributeur de détergent. Sélectionner NORMAL/CASUAL (normal/tout-aller), puis HOLD TO START (mise en marche). Laisser la machine exécuter le programme complet.



Utiliser uniquement un détergent HE Haute efficacité.

# CARACTÉRISTIQUES ET AVANTAGES

## Commandes électroniques

Les commandes électroniques flexibles sont faciles à utiliser, que vous soyez débutant ou expert.

## Distributeurs intelligents

Les distributeurs intelligents rendent votre laveuse véritablement automatique. Cette laveuse comporte un distributeur à quatre compartiments pour le détergent du lavage principal, l'assouplissant de tissu, l'agent de blanchiment, le pré-lavage ou le trempage automatique. Le distributeur comporte de grandes zones d'écoulement, est autonettoyant, et peut être facilement retiré. Les additifs de lessive sont dilués avec de l'eau fraîche et ajoutés à la charge au moment approprié au cours du programme de lavage.

## Niveau d'eau automatique

Cette laveuse ajuste automatiquement le niveau de l'eau pour un nettoyage et un rinçage parfaits. Deux détecteurs déterminent le volume de la charge, la composition de la charge et le niveau de mousse; ils ajustent ensuite le niveau d'eau au réglage approprié. Ceci supprime la nécessité d'évaluer le niveau d'eau nécessaire. Le niveau d'eau correspond exactement au volume de chaque charge de lavage.

## Volume de charge plus important

L'absence d'agitateur permet de laver des articles plus grands et plus encombrants tels qu'un couvre-lit de très grande taille. Vous pouvez aussi laver davantage de vêtements à la fois, ce qui signifie moins de charges.

## Système de suspension

Pour réduire le "déplacement" ou le "déséquilibre" de la laveuse, celle-ci comprend :

- 2 ressorts pour isoler les vibrations
- 4 amortisseurs à la base de la laveuse pour minimiser le mouvement

## Tambour en acier inoxydable

Le tambour en acier inoxydable élimine la corrosion et permet des vitesses d'essorage plus élevées pour une meilleure évacuation de l'eau et une réduction de la durée de séchage.

## Système de lavage Haute efficacité

Votre nouvelle laveuse à chargement frontal Haute efficacité fait gagner du temps en permettant des charges moins nombreuses et plus importantes, et diminue vos factures d'eau et d'énergie en aidant à préserver les ressources.

## Vitesses d'essorage

Cette laveuse sélectionne automatiquement la vitesse d'essorage en fonction du programme sélectionné. Ce réglage effectué à l'usine peut toutefois être modifié. Cette laveuse offre jusqu'à cinq choix de vitesses d'essorage différentes.

## Chauffe-eau

Cette laveuse comporte un chauffe-eau qui chauffe automatiquement l'eau à la température optimale pour le programme sélectionné. Ceci permet un nettoyage par étapes : l'eau tiède est d'abord introduite et mélangée avec le détergent, puis réchauffée. L'eau tiède nettoie les taches telles que sang et œufs, et l'eau réchauffée élimine les taches huileuses telles que la transpiration et l'huile mécanique sale. Ce dispositif de chauffage est activé avec les programmes Sanitary (sanitaire), Whitest Whites (blancs les plus blancs) et Heavy Duty (service intense).

## Commande automatique de la température

La commande automatique de la température détecte et maintient électroniquement une température d'eau uniforme. La commande automatique de la température régule l'arrivée d'eau chaude et d'eau froide. La commande automatique de la température est automatiquement activée lorsqu'un programme est sélectionné.

## Ajouter un vêtement

Lorsque cette option est disponible au début du programme, le témoin lumineux Add A Garment s'allume pendant les 8 premières minutes. Cette laveuse octroie une période de 8 minutes pendant laquelle les vêtements oubliés peuvent être ajoutés à la charge.

## Action spéciale de nettoyage avec injection directe

Cette laveuse achemine 100 % de l'eau par le biais des distributeurs pour assurer un rinçage et un mélange complet de tous les additifs avant qu'ils n'entrent en contact avec les vêtements. L'eau est ensuite aspergée du haut à l'avant vers le centre de la charge, fournissant une distribution uniforme et une performance de nettoyage optimale. Il est normal que de petites quantités d'eau demeurent dans les distributeurs lorsque le programme de lavage est achevé.

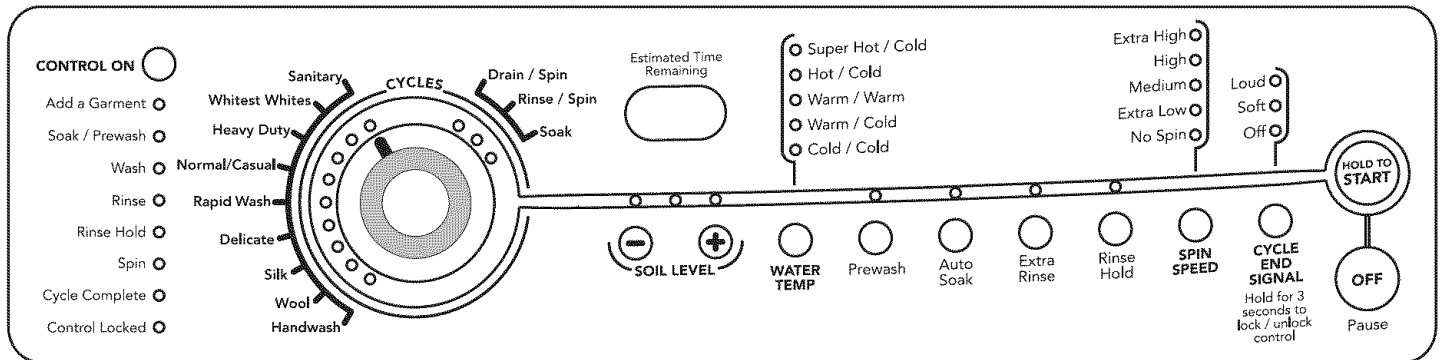
## Système de détergent efficace

Cette laveuse est équipée d'une valve spécialement conçue pour se fermer durant l'étape de lavage pour que la totalité du mélange d'eau et de détergent soit utilisée pour la charge. Le système de détergent efficace évite tout gaspillage d'eau ou de détergent.

## Détection dynamique de déséquilibre

Cette laveuse utilise deux capteurs pour détecter le volume de la charge et tout déséquilibre au sein de la charge. Le système de suspension et les commandes sont spécialement conçus pour redistribuer la charge automatiquement.

# UTILISATION DE LA LAVEUSE



**REMARQUE :** Le tableau de commande de votre modèle peut différer de celui illustré ci-dessus.

## Mise en marche de la laveuse

### **AVERTISSEMENT**



#### Risque d'incendie

**Ne jamais mettre des articles humectés d'essence ou d'autres fluides inflammables dans la laveuse.**

**Aucune laveuse ne peut complètement enlever l'huile.**

**Ne pas faire sécher des articles qui ont été salis par tout genre d'huile (y compris les huiles de cuisson).**

**Le non-respect de ces instructions peut causer un décès, une explosion ou un incendie.**

**AVERTISSEMENT :** Pour réduire le risque d'incendie, de choc électrique ou de blessures corporelles, lire les INSTRUCTIONS IMPORTANTES DE SÉCURITÉ avant de faire fonctionner cet appareil.

Le texte suivant est un guide pour l'utilisation de la laveuse. Se référer aux sections spécifiques de ce manuel pour obtenir des renseignements plus détaillés.

Ne pas remiser des additifs de lessive sur le dessus de cette laveuse. La vibration est normale durant le fonctionnement.

## Utilisation du détergent approprié

Utiliser uniquement des détergents Haute efficacité. Pour ce type de détergent, "HE" ou "Haute efficacité" sera mentionné sur l'emballage. Ce système de lavage, utilisant moins d'eau, provoquera trop de mousse avec un détergent ordinaire non HE. L'utilisation d'un détergent ordinaire est susceptible d'occasionner des erreurs de la part de la laveuse, des durées de programmes plus longues et une performance de rinçage réduite. Ceci peut aussi entraîner des défaillances des composants et une moisissure perceptible. Les détergents HE sont conçus pour produire la quantité de mousse adéquate pour le meilleur rendement. Suivre les recommandations du fabricant pour déterminer la quantité de détergent à utiliser.



Utiliser uniquement un détergent HE Haute efficacité.

## Premier programme de lavage sans linge à laver

Avant de laver les vêtements pour la première fois, choisir le programme Normal/Casual (normal/tout-aller) et l'exécuter sans linge (si cela n'a pas déjà été fait au cours de l'étape d'installation finale). Utiliser uniquement un détergent HE Haute efficacité. Utiliser la moitié de la quantité recommandée par le fabricant pour une charge de taille moyenne. Ce programme préalable sert à garantir que l'intérieur est propre avant de laver des vêtements.

## Pour tous les programmes de lavage

- Ouvrir la porte de la laveuse en tirant sur la poignée. Trier le linge d'après la couleur et le type de tissu. Placer une charge de linge trié dans la laveuse. Ne pas surcharger la laveuse. Une surcharge peut causer un nettoyage médiocre.
  - La laveuse peut être bien remplie mais le linge ne doit pas être tassé. La porte de la laveuse doit fermer facilement.
  - Mélanger les gros articles avec les petits articles et éviter de laver des articles seuls. Charger la laveuse uniformément.
  - On recommande de laver les petits articles tels que les chaussettes d'enfants dans un sac en filet pour le linge.
  - Lorsqu'on retire le linge, vérifier de temps en temps sous le pourtour en caoutchouc à l'avant de la cuve qu'il n'y a pas de petits articles coincés.

2. Fermer la porte de la laveuse en la poussant fermement jusqu'à ce que le verrou s'enclenche. La porte de la laveuse demeurera verrouillée durant le programme de lavage.

**REMARQUE :** Lorsqu'un programme de lavage est terminé, la porte doit être ouverte puis refermée avant qu'un nouveau programme puisse commencer. La porte peut être ouverte seulement si on a sélectionné PAUSE/OFF (pause/arrêt) alors que le témoin ADD A GARMENT (ajouter un vêtement) était allumé ou si le programme a été annulé. Voir "Pour annuler un programme".

3. Ouvrir le tiroir distributeur et verser les additifs de lessive dans les compartiments de détergent, d'agent de blanchiment ou d'assouplissant de tissu. Fermer le tiroir lentement pour éviter les renversements. Voir "Utilisation du distributeur".
4. Mettre la laveuse en marche en sélectionnant CONTROL ON. Sélectionner un des programmes en tournant le sélecteur de programme. Le témoin lumineux correspondant au programme sélectionné s'allumera. Lors de la sélection d'un programme de lavage, les préréglages d'options, température d'eau, vitesse d'essorage et niveau de saleté pour le programme sélectionné s'allument. L'afficheur indique la durée résiduelle estimée. Les préréglages procurent les soins aux tissus recommandés pour le programme sélectionné. Voir "Programmes".
5. Sélectionner les options désirées, telles que Prewash (prélavage), Auto Soak (trempage automatique), Extra Rinse (rinçage supplémentaire) et Rinse Hold (rinçage/maintien). Toutes les options ne sont pas disponibles avec tous les programmes. Voir "Options".
6. Sélectionner les modificateurs désirés, tels que Soil Level (niveau de saleté), Water Temp (température de l'eau), Spin Speed (vitesse d'essorage) et Cycle End Signal (signal de fin de programme). Tous les modificateurs ne sont pas disponibles avec tous les programmes et toutes les options. Voir "Modificateurs".
7. Si désiré, sélectionner le signal de fin de programme. Le signal est utile lorsque vous lavez des articles qui doivent être enlevés de la laveuse aussitôt qu'elle s'arrête. Sélectionner LOUD (fort), SOFT (doux) ou OFF (désactivé).

## 8. Pour commencer le programme de lavage immédiatement

Sélectionner HOLD TO START.

- Si on ne sélectionne pas HOLD TO START (mise en marche) dans les 5 minutes qui suivent le choix d'un programme, la laveuse s'éteint automatiquement.
- Lorsque le programme de lavage est terminé, le témoin lumineux CYCLE COMPLETE s'allume, la porte se déverrouille et la charge peut être retirée de la laveuse. La laveuse s'éteint automatiquement 5 minutes après la fin du programme et le témoin CYCLE COMPLETE (programme terminé) s'éteint. Pour éteindre manuellement la laveuse après la fin d'un programme de lavage, sélectionner une fois PAUSE/OFF (pause/arrêt).

## Utilisation du distributeur

Votre nouvelle laveuse comporte un tiroir distributeur avec quatre compartiments pour les produits de lessive - deux pour le détergent, un pour l'agent de blanchiment liquide et un pour l'assouplissant de tissu liquide. Les produits de lessive sont dilués et distribués automatiquement au moment approprié durant le programme de lavage, ce qui évite à l'utilisateur de retourner à la laveuse durant le programme pour ajouter ces produits.

Il est normal que de petites quantités d'eau demeurent dans les distributeurs lorsque le programme de lavage est achevé.

Ne pas placer d'additifs de lessive directement dans la cuve de lavage. Toujours utiliser les distributeurs appropriés pour ajouter les produits de lessive.

## Choix du détergent approprié

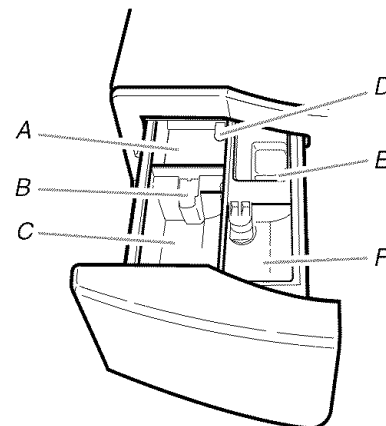
Utiliser uniquement des détergents Haute efficacité. Pour ce type de détergent, "HE" ou "Haute efficacité" sera mentionné sur l'emballage. Ce système de lavage, utilisant moins d'eau, provoquera trop de mousse avec un détergent ordinaire non HE. L'utilisation d'un détergent ordinaire est susceptible d'occasionner des erreurs de la part de la laveuse, des durées de programmes plus longues et une performance de rinçage réduite. Ceci peut aussi entraîner des défaillances des composants et une moisissure perceptible. Les détergents HE sont conçus pour produire la quantité de mousse adéquate pour le meilleur rendement. Suivre les recommandations du fabricant pour déterminer la quantité de détergent à utiliser.



Utiliser uniquement un détergent HE Haute efficacité.

## Pour remplir les compartiments du distributeur

1. Tirer le tiroir distributeur.
2. Ajouter le produit de lessive désiré dans le compartiment approprié.
3. Enfoncer le tiroir distributeur lentement et complètement (pour éviter les renversements).



Distributeur

- A. Compartiment pour détergent de prélavage
- B. Séparateur
- C. Compartiment pour détergent du lavage principal
- D. Levier de dégagement du distributeur
- E. Compartiment pour l'agent de blanchiment
- F. Compartiment pour assouplissant de tissu

## Compartiment pour détergent de prélavage

(Lettre A dans l'illustration du distributeur)

Verser le détergent dans ce compartiment en cas d'utilisation de l'option de prélavage ou trempage automatique. Un détergent liquide ou en poudre peut être utilisé dans ce compartiment. Le détergent sera distribué automatiquement au cours de l'option de prélavage si l'option Prewash est sélectionnée ou durant la période de trempage si l'option Auto Soak est sélectionnée.

- En utilisant un détergent Haute efficacité (HE), ajouter  $\frac{1}{3}$  de la quantité recommandée dans le compartiment de prélavage et  $\frac{2}{3}$  de la quantité recommandée dans le compartiment de lavage principal.
- Ne pas remplir au-delà du niveau "MAX".

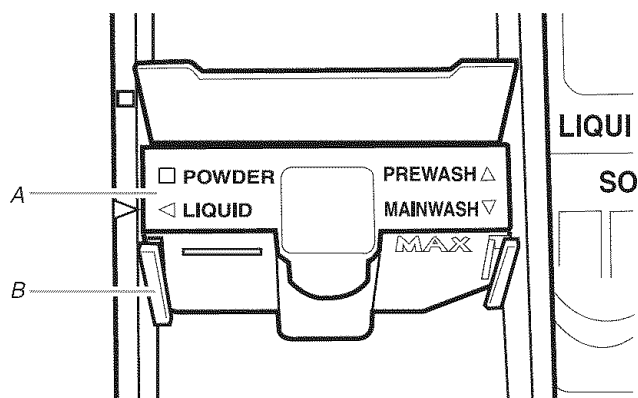
## Compartiment pour détergent du lavage principal

(Lettre C dans l'illustration du distributeur)

Verser le détergent liquide ou en poudre dans ce compartiment pour le programme de lavage principal. Le séparateur de détergent doit toujours être en place, soit à l'avant soit à l'arrière.

**IMPORTANT :** En cas d'utilisation de l'option de prélavage ou de trempage, un détergent en poudre doit être utilisé dans le compartiment de lavage principal car les détergents liquides peuvent suinter hors du compartiment de lavage principal avant le début du lavage principal.

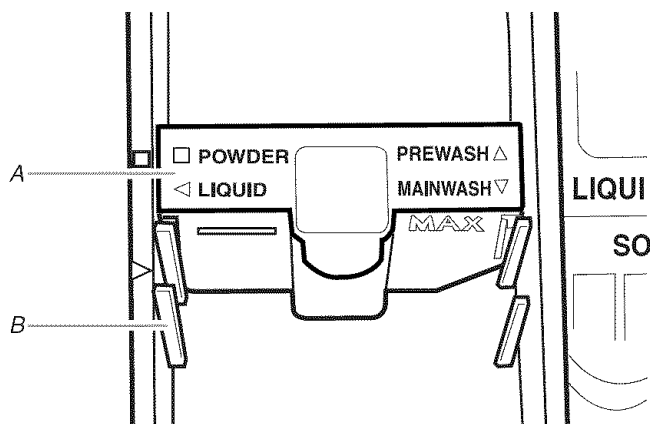
- Ne pas remplir au-delà du niveau "MAX". Utiliser la quantité recommandée par le fabricant en fonction de la taille de la charge.
- L'agent de blanchiment liquide ou en poudre sans danger pour les couleurs peut être versé dans le compartiment du lavage principal avec le même type de détergent, liquide ou en poudre.
- **Détergent liquide :** Placer le séparateur à l'avant, entre les guides, tel qu'illustré. Il n'y aura pas d'espace entre le fond du compartiment du détergent pour le programme de lavage et le fond du séparateur.



Séparateur placé à l'avant, entre les guides

A. Séparateur  
B. Guide

- **Détergent en poudre :** Placer le séparateur à l'arrière, derrière les guides, tel qu'illustré. Il y aura un espace entre le fond du compartiment du détergent pour le programme de lavage et le fond du séparateur.



Séparateur placé à l'arrière, derrière les guides

A. Séparateur  
B. Guide

**REMARQUE :** Le séparateur est préinstallé à l'usine en position POWDER (poudre [arrière]).

## Compartiment pour l'agent de blanchiment

(Lettre E dans l'illustration du distributeur)

Ne pas verser plus de 1/3 de tasse (80 mL) d'agent de blanchiment liquide dans ce compartiment. L'agent de blanchiment sera automatiquement dilué et distribué au moment opportun au cours du premier rinçage après le programme de lavage. Ce compartiment ne peut diluer un agent de blanchiment en poudre.

- Toujours mesurer la quantité d'agent de blanchiment liquide. Utiliser une tasse à mesurer avec un bec verseur; ne pas utiliser une quantité approximative.
- Ne pas remplir au-delà du niveau "MAX". Un remplissage excessif pourrait causer de graves dommages aux vêtements.

## Compartiment pour assouplissant de tissu

(Lettre F dans l'illustration du distributeur)

Verser 1/4 de tasse (60 mL) d'assouplissant de tissu liquide dans ce compartiment. L'assouplissant sera automatiquement distribué lors du rinçage final.

- Ne pas remplir au-delà du niveau "MAX".

## Pause ou remise en marche

1. Pour mettre la laveuse en pause à tout moment, sélectionner PAUSE/OFF (pause/arrêt).
2. Pour poursuivre le programme, sélectionner HOLD TO START (pendant environ 1 seconde).

## Changement des programmes, options et modificateurs

Toutes les options et tous les modificateurs ne sont pas disponibles avec tous les programmes. Les programmes, options et modificateurs peuvent être changés à tout moment tant que HOLD TO START (mise en marche) n'a pas été sélectionné.

Les options et modificateurs peuvent être changés à tout moment après avoir sélectionné HOLD TO START et avant la mise en marche de l'option ou du modificateur.

### Pour annuler un programme et en sélectionner un autre

1. Sélectionner deux fois PAUSE/OFF (pause/arrêt).
2. Sélectionner le programme désiré.
3. Sélectionner les OPTIONS désirées.
4. Sélectionner HOLD TO START (pendant environ 1 seconde) pour remettre la laveuse en marche au début du nouveau programme.

### Pour annuler un programme

1. Sélectionner deux fois PAUSE/OFF (pause/arrêt).
2. La laveuse s'éteint, la porte se déverrouille et les vêtements peuvent être retirés.

**REMARQUE :** Si le niveau d'eau ou la température est trop élevé(e), la laveuse effectuera automatiquement une vidange avant le déverrouillage de la porte.

### Pour changer les options ou les modificateurs lorsque le programme a commencé

1. Sélectionner PAUSE/OFF (pause/arrêt).
2. Sélectionner les OPTIONS ou MODIFICATEURS désirés.
3. Sélectionner HOLD TO START (pendant environ 1 seconde) pour poursuivre le programme.

### Pour vidanger la laveuse manuellement

1. Sélectionner PAUSE/OFF (pause/arrêt).
2. Sélectionner DRAIN/SPIN (vidange/essorage).
3. Sélectionner HOLD TO START (pendant environ 1 seconde) pour commencer la vidange.
4. Lorsque l'essorage est terminé, la porte se déverrouille. Les articles peuvent être retirés de la laveuse.

## Témoins lumineux

Ces témoins lumineux indiquent quelle partie du programme la laveuse est en train d'effectuer. Ils peuvent aussi indiquer à quel moment vous pouvez ajouter un article supplémentaire et à quel moment les commandes sont verrouillées.



### Ajout d'articles

Cette laveuse octroie une période de 8 minutes pendant laquelle les vêtements oubliés peuvent être ajoutés à la charge. Vous pouvez ajouter des articles dans la laveuse tant que le témoin lumineux ADD A GARMENT est allumé.

#### Pour ajouter des articles

1. Sélectionner une fois PAUSE/OFF (pause/arrêt). La porte de la laveuse se déverrouille et les articles peuvent être ajoutés.
2. Pour poursuivre le programme, fermer la porte et sélectionner HOLD TO START (pendant environ 1 seconde).
3. Pour déverrouiller la porte à la fin de la période Add a Garment, appuyer deux fois sur PAUSE/CANCEL. Ceci annulera le programme de lavage.

### Cycle Complete (programme terminé)

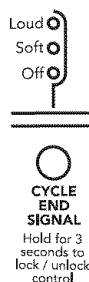
Le témoin Cycle Complete reste allumé pendant 5 minutes après la fin du programme, ensuite la laveuse s'éteint.

### Verrouillage des commandes

La fonction Control Lock (verrouillage des commandes) évite l'utilisation involontaire de la laveuse. Vous pouvez aussi utiliser la caractéristique de verrouillage des commandes pour éviter des changements involontaires de programme ou d'option durant un programme. Lorsque CONTROL LOCKED (commandes verrouillées) est allumé, tous les boutons sont désactivés à l'exception de PAUSE/OFF (pause/arrêt) et START (mise en marche). Vous pouvez verrouiller les commandes alors que la laveuse est en marche.

#### Pour verrouiller les commandes

Sélectionner CYCLE END SIGNAL (signal de fin de programme) pendant 3 secondes.



Le témoin lumineux CONTROL LOCKED (commandes verrouillées) est allumé.

#### Pour déverrouiller les commandes

Sélectionner CYCLE END SIGNAL (signal de fin de programme) pendant 3 secondes jusqu'à ce que le témoin lumineux CONTROL LOCKED (commandes verrouillées) s'éteigne.

### Door Locked (porte verrouillée)

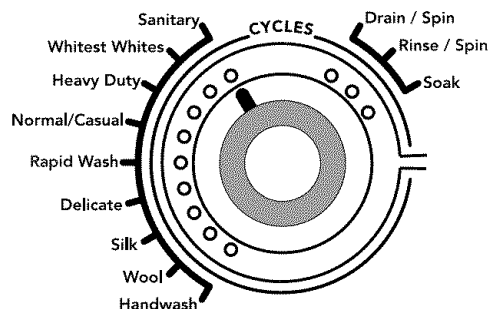
Lorsque le témoin lumineux s'allume, la porte est verrouillée.

### Durée résiduelle estimée

La durée du programme varie automatiquement en fonction de la pression et de la température de l'eau, du détergent et de la charge de linge. La durée du programme sera prolongée en cas d'excès de mousse ou si la charge est déséquilibrée. La procédure contre la mousse élimine l'excès de mousse et permet un rinçage correct de vos vêtements. L'affichage du temps se mettra en pause jusqu'à ce que cette procédure soit terminée, puis reprendra en même temps que le programme. Ces procédures peuvent ajouter jusqu'à trente minutes à la durée par défaut du programme.

## Programmes

Pour sélectionner un programme, tourner le bouton de commande au programme désiré. Chaque programme est conçu pour différents types de tissu et niveaux de saleté.



- Chaque programme comporte un niveau de saleté (durée du programme), une température de l'eau et une vitesse d'essorage pré-réglés et peut comporter des options pré-réglées. Les pré-réglages procurent les soins aux tissus recommandés pour le programme sélectionné.
- Les pré-réglages peuvent être modifiés à tout moment tant que HOLD TO START (mise en marche) n'a pas été sélectionné. Toutes les options et tous les modificateurs ne sont pas disponibles avec tous les programmes. (Pour modifier les réglages après le début du programme, appuyer une fois sur PAUSE/OFF (pause/arrêt), puis sélectionner les réglages désirés. Appuyer sur HOLD TO START pour continuer le programme.)

### Sanitary (sanitaire)

Utiliser ce programme pour laver des tissus grand teint, très sales. Ce programme combine une température très chaude et une vitesse de culbutage rapide pour garantir l'enlèvement des saletés intenses et des taches. Il est recommandé de régler le chauffe-eau à 120°F (49°C) pour assurer un rendement efficace pendant ce programme. Le programme sanitaire aide également à éliminer à 99,999 % les 3 bactéries infectieuses communes, même sans utilisation d'agent de blanchiment. Une vitesse d'agitation très élevée réduit la durée de séchage.

### Whitest Whites (blancs les plus blancs)

Ce programme est spécialement conçu pour le nettoyage de charges de linge blanc sale avec ajout d'agent de blanchiment. Les températures de lavage élevées assurent un fonctionnement optimal de l'agent de blanchiment. Un rinçage supplémentaire fournit une performance de rinçage optimale pour éviter les résidus de chlore sur votre lessive. Ce programme combine un culbutage à vitesse rapide, une durée de lavage prolongée et un essorage à vitesse très élevée pour réduire la durée de séchage.

### Heavy Duty (service intense)

Utiliser ce programme pour laver des charges de vêtements robustes, aux couleurs grand teint et très sales. Ce programme combine un culbutage à vitesse rapide, une durée de lavage prolongée et un essorage à vitesse très élevée pour réduire la durée de séchage. Si la température de l'eau est inférieure à celle nécessaire pour ce programme, le chauffe-eau réchauffera l'eau à la température idéale.

**REMARQUE :** Utiliser le programme Heavy Duty pour le retrait optimal des souillures organiques telles que le sang.

### Normal/Casual (normal/tout-aller)

Utiliser ce programme pour laver des articles en coton et en lin normalement sales. Ce programme combine un culbutage à vitesse moyenne et un essorage à haute vitesse.

### Rapid Wash (lavage rapide)

Utiliser ce programme pour laver de petites charges de vêtements légèrement sales dont on a besoin rapidement. Ce programme combine un culbutage à vitesse rapide, une durée de lavage plus courte et un essorage à vitesse très élevée pour réduire la durée de séchage.

### Delicate (articles délicats)

Utiliser ce programme pour laver des tissus et des vêtements qui ne se repassent pas; l'étiquette de soin du tissu indiquera "Permanent Press" (pressage permanent), "Wrinkle Free" (anti-froissement), ou "Gentle" (délicat). Ce programme combine un culbutage à basse vitesse et un essorage à basse vitesse afin de réduire le froissement.

### Silk (soie)

Utiliser ce programme pour nettoyer les vêtements en soie lavables. (Consulter les consignes de l'étiquette pour s'assurer que le vêtement est lavable.) Ce programme effectue un culbutage délicat et évacue l'eau sans essorage pour nettoyer les vêtements en douceur et réduire le froissement au minimum. Du fait de l'absence d'essorage, les vêtements seront davantage mouillés à la fin du programme.

### Wool (lainages)

Utiliser ce programme pour laver les vêtements en laine lavables en machine. (Consulter les consignes d'entretien pour s'assurer que le vêtement est lavable.) Ce programme comporte un culbutage délicat et un essorage à basse vitesse pour un soin optimal des vêtements.

### Handwash (lavage à la main)

Utiliser ce programme pour nettoyer les articles lavables à la main et les vêtements nécessitant un soin spécial. Semblable à la façon dont les vêtements sont lavés à la main dans un évier, l'action de lavage de ce programme combine des périodes de culbutage à basse vitesse et de trempage. L'essorage à basse vitesse réduit le froissement.

### Soak (trempage)

Utiliser le programme de trempage pour enlever les petites taches fixées sur les tissus. Ce programme comporte une période de trempage dans l'eau tiède ou froide, suivie d'une vidange. La quantité supplémentaire d'eau, la courte phase de culbutage pour une distribution uniforme de la lessive, et la période de trempage sans mouvement du tambour permettent une élimination plus efficace des taches incrustées. La vidange sans essorage prend soin des articles, même les plus délicats.

### Rinse/Spin (rinçage/essorage)

Utiliser ce programme pour obtenir un rinçage et un essorage seulement. Ce programme combine un culbutage à vitesse élevée et un essorage à vitesse très élevée. On peut réduire la vitesse d'essorage en sélectionnant la vitesse souhaitée à partir du modificateur SPIN SPEED (vitesse d'essorage).

#### Le programme Rinse & Spin est utile pour

- Les charges qui nécessitent un rinçage uniquement.
- L'addition d'assouplissant de tissu à une charge.

### Drain/Spin (vidange/essorage)

Utiliser ce programme pour vidanger la laveuse ou pour vidanger et essorer la charge de lavage. La vitesse d'essorage est pré réglée à Extra High (très élevée). Si désiré, on peut réduire la vitesse d'essorage en sélectionnant la vitesse souhaitée à partir du modificateur SPIN SPEED (vitesse d'essorage).

**REMARQUE :** Les charges de vêtements synthétiques, tissus délicats, articles lavables à la main et lainages doivent être vidangés sans essorage ou avec essorage à basse vitesse pour ne pas déformer les tissus.

### Préréglages de programme

Chaque programme comporte un niveau de saleté (durée du programme), une température de l'eau et une vitesse d'essorage pré réglés. Les pré réglages procurent les soins aux tissus recommandés pour le programme sélectionné. Voir le tableau.

| Programme                               | Niveau de saleté (durée de programme) | Temp. de l'eau                      | Vitesse d'essorage                    |
|---|---------------------------------------|-------------------------------------|---------------------------------------|
| Sanitary (sanitaire)                    | Normal (1:55)                         | Super Hot/Cold (très chaude/froide) | Extra High <sup>†</sup> (très élevée) |
| Whitest Whites (blancs les plus blancs) | Normal (1:00)                         | Hot/Cold (chaude/froide)            | Extra High <sup>†</sup> (très élevée) |
| Heavy Duty (service intense)            | Normal (1:15)                         | Hot/Cold (chaude/froide)            | Extra High <sup>†</sup> (très élevée) |
| Normal/Casual (normal/tout-aller)       | Normal (0:40)                         | Warm/Cold (tiède/froide)            | High (élevée)                         |
| Rapid Wash (lavage rapide)              | Peu sale (0:35)                       | Warm/Cold (tiède/froide)            | Extra High <sup>†</sup> (très élevée) |
| Delicate (articles délicats)            | Normal (0:35)                         | Warm/Cold (tiède/froide)            | Medium (moyenne)                      |
| Silk (soie)                             | Normal (0:26)                         | Cold/Cold (froide/froide)           | No Spin (pas d'essorage)              |

| Programme                            | Niveau de saleté (durée de programme) | Temp. de l'eau            | Vitesse d'essorage       |
|--------------------------------------|---------------------------------------|---------------------------|--------------------------|
| <b>Wool (lainages)</b>               | Normal (0:30)                         | Cold/Cold (froide/froide) | Medium (moyenne)         |
| <b>Handwash (lavage à la main)</b>   | Normal (0:30)                         | Cold/Cold (froide/froide) | Extra Low (extra basse)  |
| <b>Soak (trempage)</b>               | Normal (0:30)                         | Warm/Cold (tiède/froide)  | No Spin (pas d'essorage) |
| <b>Rinse/Spin (rinçage/essorage)</b> | Normal (0:21)                         | Cold/Cold (froide/froide) | Extra High (très élevée) |
| <b>Drain/Spin (vidange/essorage)</b> | Normal (0:11)                         | N/A                       | Extra High (très élevée) |

<sup>1</sup>Les vitesses d'essorage peuvent varier sur certains modèles.

### Modification des pré réglages de programme

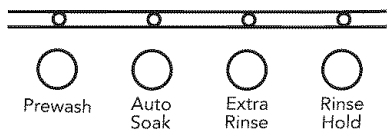
Appuyer sur le sélecteur de chaque réglage jusqu'à ce que le réglage désiré s'allume.

### Sons normaux émis par la laveuse

Comme pour tout appareil neuf, vous entendrez des sons auxquels vous n'êtes pas habitués. Vous pouvez entendre différents sons lors du verrouillage/déverrouillage de la porte et durant les processus de lavage, rinçage et essorage. Entre les changements dans les actions de lavage, la laveuse fera des pauses momentanées. Vous entendrez l'éclaboussement de l'eau pendant les programmes de lavage et de rinçage. Ces nouveaux sons et pauses font partie du fonctionnement normal de la laveuse.

## Options

Vous pouvez personnaliser votre lavage en ajoutant des options à vos sélections de programme. Vous pouvez ajouter ou modifier une option après le début d'un programme à tout moment avant la mise en marche de l'option sélectionnée. Toutes les options ne sont pas disponibles avec tous les programmes.



- Consulter le "Guide de lessivage" pour un aperçu des options possibles pour chaque sélection de programme de lavage.
- Vous pouvez choisir plusieurs options par programme. Certaines options ne peuvent être sélectionnées avec certains programmes; par exemple, l'option de pré lavage est incompatible avec le programme de lavage rapide.
- Si une option est disponible avec un programme sélectionné, le témoin lumineux de cette option s'allume au moment de la sélection.
- Si une option n'est pas disponible avec un programme sélectionné, un bref signal sonore est émis et le témoin lumineux de cette option ne s'allume pas au moment de la sélection.

### Prewash (pré lavage)

Utiliser cette option pour des charges de vêtements très sales qui nécessitent un pré traitement. Cette option ajoute une période de pré lavage et de vidange de 15 minutes au programme de lavage principal.

#### REMARQUES :

- Verser le détergent dans les compartiments de pré lavage et de lavage principal du tiroir distributeur.
- En cas d'utilisation de l'option de pré lavage, verser un détergent en poudre dans le compartiment de détergent de lavage principal car un détergent liquide risque de suinter dans la laveuse au cours de la période de trempage automatique.

**REMARQUE :** Les options de pré lavage et de trempage automatique ne peuvent pas être sélectionnées en même temps.

### Auto Soak (trempage automatique)

Utiliser l'option de trempage automatique pour les charges d'articles en coton, lin, polyester ou nylon très sales avec taches incrustées. Pendant le trempage automatique, l'eau sera ajoutée au tambour et le linge sera distribué uniformément par une brève phase de culbutage. Le linge sera ensuite trempé par phases sans mouvement du tambour. Après le trempage, la laveuse effectuera une vidange sans essorage.

- Verser le détergent dans les compartiments de pré lavage et de lavage principal du tiroir distributeur.
- Utiliser le détergent en poudre pour le programme de lavage principal car un détergent liquide risque de suinter dans la laveuse au cours du trempage automatique.
- Pour les programmes à température élevée, la température de l'eau de trempage est réglée sur WARM (tiède). Dans les autres cas, la température de trempage est similaire à celle du lavage.
- Les options de trempage automatique et de pré lavage ne peuvent pas être sélectionnées dans le même programme.

### Extra Rinse (rinçage supplémentaire)

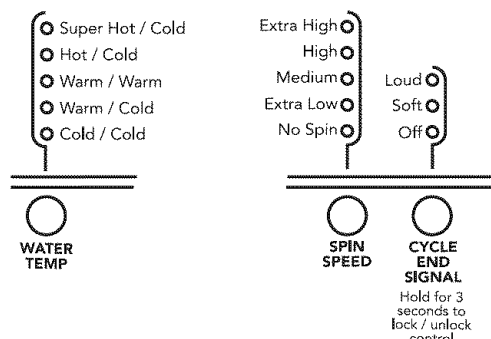
Un rinçage supplémentaire peut être effectué pour garantir l'élimination des résidus de détergent ou d'agent de blanchiment sur les vêtements. Cette option fournit un rinçage supplémentaire avec une eau à la même température que pour le premier rinçage.

### Rinse/Hold (rinçage/maintien)

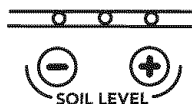
Utiliser cette option pour éviter le froissement de votre lessive lorsqu'une charge ne peut être retirée de la laveuse immédiatement. Le programme de lavage fait une pause avant les phases finales de vidange et d'essorage pour que le linge soit maintenu dans l'eau de rinçage jusqu'à la reprise du programme. Ceci permet un soin optimal contre la formation de plis sur le linge mouillé. La porte reste verrouillée au cours du programme Rinse/Hold et le témoin clignote. Appuyer sur RINSE HOLD pour terminer le programme et décharger la laveuse.

## Modificateurs

Les préréglages de programme pour le niveau de saleté (durée du programme), la température de l'eau et la vitesse d'essorage peuvent être modifiés. Vous pouvez modifier un modificateur après le début d'un programme à tout moment avant la mise en marche du modificateur sélectionné. Tous les modificateurs ne sont pas disponibles avec tous les programmes et toutes les options.



- Pour modifier la température de l'eau, sélectionner le bouton WATER TEMP jusqu'à ce que le réglage désiré s'allume.
- Pour modifier la vitesse d'essorage, sélectionner le bouton SPIN SPEED jusqu'à ce que le réglage désiré s'allume.
- Pour modifier le volume du signal de fin de programme (réglable), sélectionner (ADJUSTABLE) CYCLE END SIGNAL.



- Pour modifier la durée du programme, sélectionner le bouton SOIL LEVEL (niveau de saleté).

### Temp. de lavage/rinçage

Sélectionner une température de l'eau selon le type de charge à laver. Utiliser l'eau de lavage la plus chaude sans danger pour les tissus. Suivre les instructions figurant sur l'étiquette des vêtements.

Les rinçages à l'eau tiède permettent un meilleur séchage que les rinçages à froid. Les rinçages à l'eau tiède augmentent le froissement. Dans les climats froids, un rinçage à l'eau tiède facilite la manipulation de la charge. Les rinçages à froid économisent de l'énergie.

### Guide de température

| Température de l'eau de lavage | Tissus suggérés   |
|--------------------------------|---|
| <b>SUPER HOT (très chaude)</b> | Tissus grand teint robustes<br>Saleté intense           |
| <b>HOT (chaude)</b>            | Blancs et couleurs claires<br>Saleté intense            |
| <b>WARM (tiède)</b>            | Couleurs vives<br>Saleté modérée à légère               |
| <b>COLD (froide)</b>           | Couleurs qui déteignent ou s'atténuent<br>Saleté légère |

*Dans les températures d'eau de lavage inférieures à 60°F (15,6°C), les détergents ne se dissolvent pas correctement. Les saletés peuvent être difficiles à enlever.*

### Commande automatique de la température

La commande automatique de la température détecte et maintient électroniquement une température d'eau uniforme. La commande automatique de la température régule l'arrivée d'eau chaude et d'eau froide. La commande automatique de la température est automatiquement activée lorsqu'un programme est sélectionné. Voir "Préréglages de programme" dans "Programmes".

- La commande automatique de la température fonctionne avec tous les réglages de température de lavage et de rinçage.

## Guide de lessivage

Consulter ce tableau pour les types de charges suggérés et le programme correspondant. Pour chacun des programmes de la laveuse, les options disponibles sont indiquées à droite.

| PROGRAMME  | TYPE DE CHARGE SUGGÉRÉ   | OPTIONS DISPONIBLES                  |                         |  |   |
|--|--|--------------------------------------|-------------------------|--|---|
|  |  | Rinse/Hold<br>(rinçage/<br>maintien) | Prewash*<br>(prélavage) | Auto Soak*<br>(trempage<br>automa-<br>tique) | Extra Rinse<br>(rinçage<br>supplémen-<br>taire) |
| <b>Sanitary<br/>(sanitaire)</b>                        | Vêtements très sales tels que serviettes, vêtements de travail, couches, etc.  | ✓                                    | ✓                       | ✓  | ✓   |
| <b>Whitest Whites<br/>(blancs les plus<br/>blancs)</b> | Tissus blancs très sales   | ✓                                    | ✓                       | ✓  | ✓   |
| <b>Heavy Duty<br/>(service intense)</b>                | Vêtements très sales tels que sous-vêtements, serviettes, chemises, etc.   | ✓                                    | ✓                       | ✓  | ✓   |
| <b>Normal/Casual<br/>(normal/tout-<br/>aller)</b>      | Vêtements en polyester, nylon, coton, lin ou mélanges de coton et normalement sales tels que chemisiers, chemises, salopettes, etc.  | ✓                                    | ✓                       | ✓  | ✓   |
| <b>Rapid Wash<br/>(lavage rapide)</b>                  | Vêtements de sport en coton, polyester, nylon et mélanges de coton, légèrement sales   | ✓                                    |                         | ✓  | ✓   |
| <b>Delicate<br/>(articles<br/>délicats)</b>            | Utiliser ce programme pour laver des tissus et des vêtements qui ne se repassent pas; l'étiquette de soin du tissu indiquera "Permanent Press" (pressage permanent), "Wrinkle Free" (anti-froissement), ou "Gentle" (délicat). | ✓                                    | ✓                       | ✓  | ✓   |
| <b>Silk (soie)</b>                                     | Vêtements en soie lavables en machine  | ✓                                    |                         |  | ✓   |
| <b>Wool (lainages)</b>                                 | Lainages avec un fini non feutré lavables en machine   | ✓                                    |                         |  | ✓   |
| <b>Handwash<br/>(lavage à la<br/>main)</b>             | Vêtements en soie ou articles nécessitant un soin spécial identifiés comme lavables à la main  | ✓                                    |                         |  | ✓   |
| <b>Soak<br/>(trempage)</b>                             | Vêtements en coton, lin, polyester ou nylon  |                                      |                         |  |   |
| <b>Rinse/Soak<br/>(rinçage/<br/>trempage)</b>          | Vêtements en coton, lin, polyester ou nylon  | ✓                                    |                         |  | ✓   |
| <b>Drain/Spin<br/>(vidange/<br/>essorage)</b>          | Vêtements en coton, lin, polyester ou nylon  |                                      |                         |  |   |

\*Les options de prélavage et de trempage automatique ne peuvent pas être sélectionnées en même temps.

# CONSEILS DE LESSIVAGE

## Préparation des vêtements pour le lavage

Suivre les recommandations suivantes pour prolonger la vie de vos vêtements.

- Utiliser uniquement des détergents Haute efficacité. Pour ce type de détergent, "HE" ou "Haute efficacité" sera mentionné sur l'emballage. Ce système de lavage, utilisant moins d'eau, provoquera trop de mousse avec un détergent ordinaire non-HE. L'utilisation d'un détergent ordinaire est susceptible d'occasionner des erreurs de la part de la laveuse, des durées de programmes plus longues et une performance de rinçage réduite. Ceci peut aussi entraîner des défaillances des composants et une moisissure perceptible. Les détergents HE sont conçus pour produire la quantité de mousse adéquate pour le meilleur rendement. Suivre les recommandations du fabricant pour déterminer la quantité de détergent à utiliser.



*Utiliser uniquement un détergent HE Haute efficacité.*

- Fermer les fermetures à glissière, les boutons pression et les crochets pour éviter d'accrocher d'autres articles. Retirer les épingles, boucles et autres objets durs pour éviter d'égratigner l'intérieur de la laveuse. Ôter les garnitures et les ornements non lavables.
- Vider les poches et les retourner.
- Retourner les revers et enlever la charpie et la poussière avec une brosse.
- Retourner les tricotés synthétiques pour éviter le boulochage.
- Attacher les cordons et les ceintures pour empêcher l'emmêlement.
- Raccorder les déchirures, les ourlets défaits et les coutures.
- Traiter les taches.
- Les vêtements tachés ou mouillés doivent être lavés sans délai pour obtenir les meilleurs résultats.
- Mélanger les petits articles avec les gros, éviter de laver un article seul et répartir la charge de façon égale dans la laveuse.
- Laver les petits articles tels que les chaussettes d'enfants dans un sac en filet pour le linge. Pour obtenir une charge équilibrée, on recommande d'utiliser plus d'un sac et de remplir chaque sac avec des quantités similaires.

**REMARQUE :** Si vous lavez uniquement des petits articles, il est recommandé d'utiliser plus d'un sac et de remplir chaque sac avec des quantités similaires.

## Tri

- Séparer les articles très sales des articles légèrement sales, même si on les lave normalement ensemble. Séparer les articles qui forment de la charpie (serviettes, chenille) des articles qui retiennent la charpie (velours côtelé, synthétiques, pressage permanent). Dans la mesure du possible, retourner les articles qui forment de la charpie.
- Séparer les couleurs foncées des couleurs claires et les articles grand teint des articles qui déteignent.
- Trier en fonction des tissus et de la confection (cotons solides, tricotés, articles délicats).

## Déchargement

- Retirer les vêtements de la laveuse une fois que le programme est terminé. Des objets en métal comme les fermetures à glissière, les boutons-pression et les boucles peuvent rouiller si on les laisse longtemps dans le panier de la laveuse.
- Lorsqu'on retire le linge, vérifier de temps en temps sous le joint/soufflet en caoutchouc gris à l'avant de la cuve qu'il n'y ait pas de petits articles coincés.

## Chargement

### Suggestions de chargement (charges maximum)

#### Vêtements de travail lourds

|             |                       |
|-------------|-----------------------|
| 4 jeans     | 2 survêtements (bas)  |
| 4 pantalons | 2 survêtements (haut) |
| 4 chemises  |                       |

#### Serviettes

|                       |                     |
|-----------------------|---------------------|
| 10 serviettes de bain | 14 débarbouillettes |
| 10 serviettes à main  |                     |

#### Charge mixte

|                                      |              |
|--------------------------------------|--------------|
| 3 draps (1 très grand,<br>2 simples) | 9 tee-shirts |
| 4 taies d'oreiller                   | 9 shorts     |
| 3 chemises                           | 10 mouchoirs |
| 3 chemisiers                         |              |

# ENTRETIEN DE LA LAVEUSE

## Nettoyage de la laveuse

### Nettoyage de l'extérieur

Utiliser une éponge ou un linge doux humide pour essuyer les renversements. Essuyer occasionnellement les surfaces externes de la laveuse pour maintenir son apparence d'appareil neuf. Utiliser un savon doux et de l'eau. Ne pas utiliser des produits abrasifs.

### Nettoyage de l'intérieur

Pour conserver l'intérieur de la laveuse propre, lancer le programme Sanitary (sanitaire) sans linge. Utiliser ½ de la quantité de détergent Haute efficacité (HE) en poudre ou liquide recommandée par le fabricant de détergent pour une charge de taille moyenne.

## Nettoyage du joint de la porte

Vérifier le pli du joint périodiquement pour voir s'il n'y a pas d'objet étranger. Pour nettoyer le joint, mélanger une solution diluée en utilisant ¼ de tasse (177,4 mL) d'agent de blanchiment liquide et 1 gal. (3,8 L) d'eau tiède du robinet. Essuyer la zone du joint avec la solution diluée, en utilisant un chiffon humide. Laisser agir pendant 5 minutes. Essuyer la zone complètement avec un chiffon sec et laisser l'intérieur de la laveuse sécher avec la porte ouverte.

### IMPORTANT :

- Porter des gants en caoutchouc en cas de nettoyage pendant une période prolongée.
- Consulter les instructions du fabricant de l'agent de blanchiment pour une utilisation correcte.

## Nettoyage du tiroir distributeur

Le tiroir distributeur est amovible pour faciliter le nettoyage.

1. Déverrouiller le tiroir distributeur en appuyant sur le levier de dégagement dans le compartiment de prélavage. Voir "Utilisation du distributeur". Retirer le tiroir.
2. Ôter les pièces incluses (le siphon des compartiments de l'assouplissant de tissu et de l'agent de blanchiment et le séparateur).
3. Laver les pièces sous l'eau du robinet.
4. Réinstaller les pièces incluses et remettre le distributeur dans le tiroir.

## Tuyaux d'arrivée d'eau

Remplacer les tuyaux d'arrivée d'eau après 5 ans d'utilisation pour réduire le risque de défaillance intempestive. Inspecter périodiquement les tuyaux; les remplacer en cas de renflement, de déformation, de coupure et d'usure ou si une fuite se manifeste.

Lors du remplacement des tuyaux d'arrivée d'eau, inscrire la date du remplacement.

## Précautions à prendre avant les vacances, un entreposage ou un déménagement

Installer et remiser la laveuse à l'abri du gel. L'eau qui peut rester dans les tuyaux risque d'abîmer la laveuse en temps de gel. Si la laveuse doit faire l'objet d'un déménagement ou de remisage au cours d'une période de gel, préparer l'appareil pour l'hiver.

### Entretien en cas de non-utilisation ou de période de vacances :

Faire fonctionner la laveuse seulement lorsqu'on est présent. Si vous devez partir en vacances ou ne pas utiliser la laveuse pendant une période prolongée, vous devez exécuter les opérations suivantes :

- Débrancher la laveuse ou déconnecter la source de courant électrique.
- Fermer l'alimentation d'eau de la laveuse. Ceci aide à éviter les inondations accidentelles (dues à une augmentation de la pression) quand vous êtes absent.
- Ouvrir légèrement la porte pour fournir une ventilation.

### Préparation de la laveuse pour l'hiver :

1. Verser 1 pinte (1 L) d'antigel pour véhicule récréatif dans le tambour.
2. Faire exécuter à la laveuse un programme DRAIN/SPIN (vidange/essorage).
3. Débrancher la laveuse ou déconnecter la source de courant électrique.
4. Fermer les deux robinets d'eau.
5. Débrancher les tuyaux d'arrivée d'eau des robinets et les vider.

## Remise en marche de la laveuse :

1. Vidanger les canalisations d'eau. Reconnecter les tuyaux d'arrivée d'eau aux robinets. Ouvrir les deux robinets d'eau.

## ⚠ AVERTISSEMENT



### Risque de choc électrique

**Brancher sur une prise à 3 alvéoles reliée à la terre.**

**Ne pas enlever la broche de liaison à la terre.**

**Ne pas utiliser un adaptateur.**

**Ne pas utiliser un câble de rallonge.**

**Le non-respect de ces instructions peut causer un décès, un incendie ou un choc électrique.**

2. Brancher la laveuse ou reconnecter la source de courant électrique.
3. Faire exécuter à la laveuse un programme Normal/Casual (normal/tout-aller) avec la moitié de la quantité normale recommandée de détergent HE pour une charge moyenne, afin de nettoyer la laveuse et enlever l'antigel, le cas échéant.

### Transport de la laveuse :

1. Si la laveuse doit être déplacée en temps de gel, verser une pinte (1 L) d'antigel pour véhicule récréatif dans le tambour. Faire exécuter à la laveuse un programme DRAIN/SPIN (vidange/essorage).
2. Débrancher le cordon d'alimentation.
3. Débrancher le tuyau de vidange du système de vidange et le fixer aux pinces du panneau arrière.
4. Fermer les deux robinets d'eau.
5. Déconnecter les tuyaux d'arrivée d'eau des robinets puis vidanger les tuyaux et les fixer au panneau arrière de la laveuse.

**IMPORTANT :** Faire un appel de service. Ne pas réutiliser les boulons de transport. La laveuse doit être transportée en position verticale. Pour éviter des dommages concernant la suspension et la structure de la laveuse, celle-ci doit être correctement réinstallée par un technicien certifié.

### Réinstallation de la laveuse

1. Suivre les "Instructions d'installation" pour choisir l'emplacement, régler l'aplomb de la laveuse et la raccorder.
2. Faire exécuter à la laveuse un programme Normal/Casual (normal/tout-aller) avec la moitié de la quantité normale recommandée de détergent HE pour une charge moyenne, afin de nettoyer la laveuse et enlever l'antigel, le cas échéant.

# DÉPANNAGE

Essayer d'abord les solutions suggérées ici pour éviter possiblement le coût d'une visite de service...

## La laveuse affiche un message code et un signal sonore est émis

- **“FH” (problème d'entrée d'eau - approvisionnement nul ou insuffisant en eau)**  
Sélectionner deux fois PAUSE/OFF (pause/arrêt) pour annuler le programme. Débrancher la laveuse ou déconnecter la source de courant électrique.

### Vérifier ce qui suit :

Les robinets d'eau sont-ils complètement ouverts?

Les tamis au point de raccordement des tuyaux d'arrivée d'eau à la laveuse sont-ils obstrués?

Les tuyaux d'arrivée d'eau sont-ils déformés?

Les tuyaux d'arrivée d'eau sont-ils gelés?

Brancher la laveuse ou reconnecter la source de courant électrique. Sélectionner à nouveau un programme et appuyer sur HOLD TO START (mise en marche). Si le problème persiste, faire un appel de service.

- **“F02” (problème de vidange)**  
Sélectionner deux fois PAUSE/OFF (pause/arrêt) pour annuler le programme. Débrancher la laveuse ou déconnecter la source de courant électrique.

### Vérifier ce qui suit :

Le tuyau de vidange est-il déformé?

Le tuyau de vidange est-il gelé?

Le tuyau de vidange est-il obstrué?

Le tuyau de vidange est-il à plus de 96" (2,4 m) au-dessus du plancher?

- **“SUD” (procédure contre la mousse)**  
Lorsqu'un excès de mousse est détecté, une procédure contre la mousse se met en marche automatiquement. Cette procédure élimine l'excès de mousse et permet un rinçage correct de vos vêtements. “SUD” s'affiche durant la période de rinçage et à la fin du programme pour indiquer que la procédure contre la mousse a été activée. Utiliser uniquement des détergents HE (Haute efficacité).

- **Variables “F” [autres que FH et F02] (problème électrique)**  
Sélectionner deux fois PAUSE/OFF (pause/arrêt) pour annuler le programme. Sélectionner DRAIN/SPIN (vidange/essorage) en cas d'excès d'eau dans la laveuse.

Sélectionner à nouveau un programme et appuyer sur HOLD TO START (mise en marche). Si le problème persiste, faire un appel de service.

## La laveuse ne se met pas en marche

### ⚠ AVERTISSEMENT



#### Risque de choc électrique

**Brancher sur une prise à 3 alvéoles reliée à la terre.**

**Ne pas enlever la broche de liaison à la terre.**

**Ne pas utiliser un adaptateur.**

**Ne pas utiliser un câble de rallonge.**

**Le non-respect de ces instructions peut causer un décès, un incendie ou un choc électrique.**

- **Vérifier ce qui suit :**

Le cordon d'alimentation est-il branché dans une prise à 3 alvéoles reliée à la terre?

La porte de la laveuse est-elle bien fermée?

Un programme a-t-il été sélectionné sans que HOLD TO START ait été sélectionné pendant 1 seconde?

La porte a-t-elle été ouverte après l'achèvement du dernier programme?

## La laveuse ne se remplit pas, ne rince pas ou ne lave pas

- **Vérifier ce qui suit :**

Le cordon d'alimentation est-il branché dans une prise à 3 alvéoles reliée à la terre?

La prise est-elle alimentée par le courant électrique? Vérifier la source de courant électrique ou appeler un électricien.

Les robinets d'eau chaude et d'eau froide sont-ils ouverts?

Le tuyau d'arrivée d'eau est-il déformé?

Les tamis de la valve d'arrivée d'eau sont-ils obstrués?

## La laveuse s'arrête

- **Vérifier ce qui suit :**

Le cordon d'alimentation est-il branché dans une prise à 3 alvéoles reliée à la terre?

La prise est-elle alimentée par le courant électrique? Vérifier la source de courant électrique ou appeler un électricien.

Un fusible est-il grillé ou le disjoncteur s'est-il déclenché? Remplacer le fusible ou réenclencher le disjoncteur. Si le problème persiste, appeler un électricien.

Utilisez-vous un câble de rallonge?

Ne pas utiliser un câble de rallonge.

---

## La laveuse n'effectue pas de vidange ou d'essorage

---

- **Le tuyau de vidange est-il obstrué ou l'extrémité du tuyau de vidange se trouve-t-elle à plus de 96" (2,4 m) au-dessus du plancher?**
- **La tension est-elle basse?**  
Vérifier la source de courant électrique ou appeler un électricien. Ne pas utiliser un câble de rallonge.
- **La procédure contre la mousse est-elle activée?**  
Le programme se terminera une fois que l'excès de mousse sera éliminé.
- **La charge est-elle équilibrée?**  
Un seul article ou un article encombrant peut provoquer un déséquilibre. Ajouter des articles ou redistribuer la charge.

---

## La laveuse fait du bruit ou vibre

---

- **La laveuse est-elle d'aplomb?**  
La laveuse doit être d'aplomb. Les quatre pieds doivent être installés correctement et les écrous doivent être serrés contre la caisse de la laveuse.  
  
Lorsque l'eau est vidangée de la laveuse, on peut entendre le bruit de la succion de l'air par la pompe. Ceci se produit à la fin de la vidange. Ceci est normal.
- **Lavez-vous des articles avec agrafes en métal, boucles ou fermetures à glissière?**  
Vous pouvez entendre le bruit des articles métalliques touchant le tambour de la laveuse. Ceci est normal.
- **La laveuse est-elle installée sur un plancher robuste et solide?**  
Se référer aux "Instructions d'installation" pour les exigences relatives au plancher. Le bruit et les vibrations peuvent être réduits en plaçant une planche de contreplaqué de ¾" (19,1 mm) sous la laveuse. Le contreplaqué peut se prolonger en dessous de la laveuse et de la sècheuse pour les maintenir à des hauteurs égales.

---

## La laveuse fuit

---

- **Vérifier la plomberie du domicile pour voir s'il y a des fuites.**

---

## Distributeurs obstrués ou ayant une fuite

---

- **Les produits de lessive sont-ils dans le bon compartiment du distributeur?**  
Verser les quantités appropriées de détergent, d'assouplissant de tissu ou d'agent de blanchiment au chlore liquide dans le compartiment adéquat. Verser l'agent de blanchiment en poudre ou liquide sans danger pour les couleurs dans le compartiment du détergent principal. Veiller à utiliser un agent de blanchiment en poudre sans danger pour les couleurs avec un détergent en poudre approprié ou un agent de blanchiment liquide sans danger pour les couleurs avec un détergent liquide approprié.
- **Le séparateur de détergent est-il correctement installé?**  
Le séparateur doit être en position avant en cas d'utilisation de détergent liquide et en position arrière en cas d'utilisation de détergent en poudre.

---

## Mauvaises odeurs de la laveuse

---

- **Voir "Nettoyage de la laveuse".**
- **Utilisez-vous un détergent HE?**  
L'utilisation d'un détergent non HE peut provoquer un film résiduel à l'origine d'odeurs.
- **Avez-vous laissé la porte ouverte après utilisation?**  
Cette laveuse dispose d'une fermeture étanche pour éviter les fuites d'eau. Pour éviter la formation d'odeurs, laisser la porte ouverte afin de permettre à la laveuse de sécher entre les utilisations.

---

## Charge trop mouillée

---

- **Avez-vous utilisé le bon programme pour la charge à laver?**  
Choisir un programme avec une vitesse d'essorage plus élevée.
- **Avez-vous lavé un article seul, des articles encombrants ou avez-vous surchargé la laveuse?**  
Le lavage d'un seul article ou d'un article encombrant, ou une charge excessive peuvent provoquer un déséquilibre. Ajouter des articles ou essayer de distribuer uniformément la lessive mouillée dans le tambour, et commencer le programme DRAIN/SPIN (vidange/essorage). Si la lessive est encore mouillée, retirer la moitié de la charge de la laveuse et essayer de nouveau.

---

## Résidus ou charpie sur le linge

---

- **Avez-vous versé le détergent dans le distributeur?**  
Pour des résultats optimaux, ajouter du détergent au compartiment de détergent. Ne pas verser le détergent dans le tambour de la laveuse.
- **Avez-vous effectué le tri correctement?**  
Trier les articles causant la charpie (serviettes, chenille) des articles qui retiennent la charpie (velours côtelé, synthétiques). Trier également en fonction des couleurs.
- **Avez-vous surchargé la laveuse?**  
Ne pas surcharger la laveuse. La laveuse peut être bien remplie mais le linge ne doit pas être tassé. La charge de lavage doit être équilibrée. De la charpie peut être coincée dans la charge s'il y a surcharge.
- **Vérifier ce qui suit :**  
Avez-vous laissé du papier ou des mouchoirs en papier dans les poches?
- **Avez-vous utilisé suffisamment de détergent HE?**  
Utiliser suffisamment de détergent pour enlever la charpie et la maintenir en suspension. Utiliser uniquement un détergent HE. Suivre les instructions du fabricant afin de déterminer la quantité de détergent à utiliser.
- **La température de l'eau est-elle inférieure à 60°F (15,6°C)?**  
Une eau de lavage dont la température est inférieure à 60°F (15,6°C) peut ne pas dissoudre complètement le détergent.
- **Utilisez-vous un programme de lavage à basse vitesse?**  
Les détergents en poudre peuvent ne pas se dissoudre correctement durant un programme à basse vitesse. Pour de meilleurs résultats, utiliser un détergent liquide pour les programmes à vitesse lente tels que Delicate (articles délicats), Silk (soie), Wool (lainages) et Handwash (lavage à la main).

---

## Présence de taches sur le linge

---

- **Avez-vous versé le détergent dans le distributeur?**  
Pour des résultats optimaux, verser le détergent dans le compartiment de détergent. Ne pas verser le détergent dans le tambour de la laveuse.
- **Avez-vous utilisé suffisamment de détergent HE?**  
Utiliser suffisamment de détergent pour enlever la saleté et la maintenir en suspension. Utiliser uniquement un détergent HE. Suivre les recommandations du fabricant pour déterminer la quantité de détergent à utiliser.
- **La présence de fer (rouille) dans l'eau est-elle supérieure à la moyenne?**  
Vous aurez peut-être besoin d'installer un filtre à fer.
- **Avez-vous bien trié la charge?**  
Séparer les articles de teinte foncée des articles blancs ou clairs.
- **Avez-vous déchargé la laveuse immédiatement?**  
Pour éviter le transfert de teinture, décharger la laveuse dès qu'elle s'arrête.
- **Avez-vous utilisé une boule distributrice d'assouplissant de tissu?**  
Les boules distributrices ne fonctionnent pas correctement avec cette laveuse. Verser un assouplissant de tissu liquide dans le compartiment d'assouplissant de tissu.
- **Avez-vous utilisé un détergent en poudre pour un programme à vitesse faible?**  
Envisager l'utilisation d'un détergent liquide.
- **Avez-vous utilisé le programme Rapid Wash (lavage rapide) pour une grande charge?**  
Pour des résultats optimaux, utiliser le programme Rapid Wash (lavage rapide) pour les petites charges de linge légèrement sale.

---

## Linge froissé

---

- **Avez-vous déchargé la laveuse immédiatement?**  
Décharger la laveuse dès qu'elle s'arrête.
- **Avez-vous utilisé le bon programme pour la charge à laver?**  
Utiliser le programme Delicate (articles délicats) ou un autre programme avec basse vitesse d'essorage pour réduire le froissement.
- **Avez-vous surchargé la laveuse?**  
La charge de lavage doit être équilibrée et pas surchargée. Les charges doivent pouvoir se déplacer librement durant le lavage.

---

## Blanc grisâtre, couleurs défraîchies

---

- **Avez-vous bien trié la charge?**  
Le transfert de teinture peut se produire lors du mélange d'articles blancs et de couleur dans une même charge. Séparer les articles de teinte foncée des articles blancs ou clairs.
- **La température de lavage était-elle trop basse?**  
Utiliser les lavages à l'eau tiède ou chaude si celle-ci est sans danger pour la charge. S'assurer que le système d'eau chaude est adéquat pour fournir un lavage à l'eau chaude.
- **Avez-vous utilisé suffisamment de détergent, ou avez-vous une eau dure?**  
Utiliser plus de détergent pour laver la saleté intense à l'eau froide ou dure.

---

## Programme trop long

---

- **Avez-vous sélectionné le programme Sanitary (sanitaire)?**  
Le chauffe-eau sera activé pour fournir le rendement de nettoyage maximal. La durée du programme normal sera prolongée pour chauffer l'eau. Cette durée supplémentaire dépendra du volume de la charge et de la température de l'eau à son entrée dans la laveuse.
- **Le mot "SUD" est-il affiché?**  
Un excès de mousse a été détecté et une procédure contre la mousse a commencé. Cette procédure prolongera la durée initiale du programme.
- **Avez-vous lavé une grande charge avec le programme Quick Wash (lavage rapide)?**  
Le programme Quick Wash (lavage rapide) est conçu pour les plus petites charges (2-3 articles de vêtements légèrement sales). Si des charges plus grandes sont lavées avec ce programme, la durée de lavage augmentera.
- **Avez-vous lavé une grande charge en utilisant un programme délicat?**  
Avec les programmes Delicate (articles délicats), Handwash (lavage à la main), Silk (soie) et Wool (lainages), vous devez utiliser des petites charges. Ceci assure un lavage délicat de vos vêtements sans augmenter les durées de programme.
- **La charge a-t-elle causé un déséquilibre?**  
Lorsqu'il y a un trop grand déséquilibre, une procédure de rééquilibrage se met en marche pour redistribuer la charge. Durant la procédure de rééquilibrage, l'affichage de la durée se mettra en pause jusqu'à ce que cette activité soit terminée, puis se réactivera pour le reste du programme.

---

## Porte verrouillée à la fin du programme de lavage

---

- **Toute l'eau s'est-elle écoulée de la laveuse durant l'essorage?**  
Sélectionner DRAIN/SPIN (vidange/essorage) pour enlever toute eau restée dans la laveuse. La porte de la laveuse se déverrouillera à la fin de la vidange.

---

# ASSISTANCE OU SERVICE

---

Avant de faire un appel pour assistance ou service, veuillez vérifier la section "Dépannage". Cette vérification peut vous faire économiser le coût d'une visite de service. Si vous avez encore besoin d'aide, suivez les instructions ci-dessous.

Lors d'un appel, veuillez connaître la date d'achat et les numéros de modèle et de série complets de votre appareil. Ces renseignements nous aideront à mieux répondre à votre demande.

## Si vous avez besoin de pièces de rechange

Si vous avez besoin de commander des pièces de rechange, nous vous recommandons d'utiliser exclusivement des pièces spécifiées par l'usine. Ces pièces conviendront et fonctionneront bien parce qu'elles sont fabriquées selon les mêmes spécifications précises utilisées pour fabriquer chaque nouvel appareil Maytag®. Pour localiser des pièces de rechange spécifiées par l'usine dans votre région, composer le numéro de téléphone du Centre d'assistance à la clientèle de Maytag Services, LLC ou appeler le centre de service désigné par Maytag le plus proche.

---

## Aux États-Unis

Téléphoner sans frais au Centre d'assistance à la clientèle de Maytag Services, LLC au : **1-800-688-9900**.

### Nos consultants fournissent de l'assistance pour :

- Caractéristiques et spécifications de notre gamme complète d'appareils ménagers
- Renseignements d'installation
- Vente d'accessoires et de pièces de rechange
- Assistance spécialisée au client (langue espagnole, malentendants, malvoyants, etc.)
- Les références aux concessionnaires, compagnies de service de réparation et distributeurs de pièces de rechange locaux. Les techniciens de service désignés par Maytag sont formés pour remplir la garantie des produits et fournir un service après garantie partout aux États-Unis.

Pour localiser la compagnie de service désignée par Maytag dans votre région, vous pouvez également consulter les Pages jaunes.

### Pour plus d'assistance

Si vous avez besoin de plus d'assistance, vous pouvez écrire à Maytag en soumettant toute question ou problème à :

Maytag Services, LLC  
ATTN: CAIR® Center  
P.O. Box 2370  
Cleveland, TN 37320-2370

Dans votre correspondance, veuillez indiquer un numéro de téléphone où l'on peut vous joindre dans la journée.

---

## Au Canada

Téléphoner sans frais au Centre d'assistance à la clientèle de Maytag Services, LLC au : **1-800-688-2002**.

### Nos consultants fournissent de l'assistance pour :

- Procédés d'utilisation et d'entretien
- Vente d'accessoires et de pièces de rechange
- Caractéristiques et spécifications de notre gamme complète d'appareils ménagers
- Les références aux concessionnaires, compagnies de service de réparation et distributeurs de pièces de rechange locaux. Les techniciens de service désignés par Maytag sont formés pour remplir la garantie des produits et fournir un service après la garantie, partout au Canada.

### Pour plus d'assistance

Si vous avez besoin de plus d'assistance, vous pouvez écrire à Maytag en soumettant toute question ou problème à :

Maytag Services, LLC  
ATTN: CAIR® Center  
P.O. Box 2370  
Cleveland, TN 37320-2370

Dans votre correspondance, veuillez indiquer un numéro de téléphone où l'on peut vous joindre dans la journée.

# GARANTIE DES GROS APPAREILS MÉNAGERS MAYTAG CORPORATION

## GARANTIE LIMITÉE DE UN AN

Pendant un an à compter de la date d'achat, lorsque ce gros appareil ménager est utilisé et entretenu conformément aux instructions jointes à ou fournies avec le produit, Maytag Corporation ou Maytag Limited (ci-après désignées "Maytag") paiera pour les pièces spécifiées par l'usine et la main-d'oeuvre pour corriger les vices de matériaux ou de fabrication. Le service doit être fourni par une compagnie de service désignée par Maytag. Cette garantie limitée s'applique exclusivement lorsque l'appareil est utilisé dans le pays où il a été acheté.

## MAYTAG NE PRENDRA PAS EN CHARGE

1. Les visites de service pour rectifier l'installation du gros appareil ménager, montrer à l'utilisateur comment utiliser l'appareil, remplacer ou réparer des fusibles ou rectifier le câblage ou la plomberie du domicile.
2. Les visites de service pour réparer ou remplacer les ampoules électriques de l'appareil, les filtres à air ou les filtres à eau. Ces pièces consommables ne sont pas couvertes par la garantie.
3. Les réparations lorsque le gros appareil ménager est utilisé à des fins autres que l'usage unifamilial normal.
4. Les dommages imputables à : accident, modification, usage impropre ou abusif, incendie, inondation, actes de Dieu, installation fautive ou installation non conforme aux codes d'électricité ou de plomberie, ou l'utilisation de produits non approuvés par Maytag.
5. Toute perte d'aliments due à une défaillance du réfrigérateur ou du congélateur.
6. Le coût des pièces de rechange et de la main-d'oeuvre pour les appareils utilisés hors des États-Unis ou du Canada.
7. Le ramassage et la livraison. Ce gros appareil ménager est conçu pour être réparé à domicile.
8. Les réparations aux pièces ou systèmes résultant d'une modification non autorisée faite à l'appareil.
9. Les frais de transport pour le service d'un produit dans les régions éloignées.
10. La dépose et la réinstallation de votre appareil si celui-ci est installé dans un endroit inaccessible ou n'est pas installé conformément aux instructions d'installation fournies.
11. Le coût des pièces de rechange et de la main-d'oeuvre lorsque l'appareil est utilisé dans un pays autre que le pays où il a été acheté.

## CLAUSE D'EXONÉRATION DE RESPONSABILITÉ AU TITRE DES GARANTIES IMPLICITES; LIMITATION DES RECOURS

LE SEUL ET EXCLUSIF RECOURS DU CLIENT DANS LE CADRE DE LA PRÉSENTE GARANTIE LIMITÉE CONSISTE EN LA RÉPARATION PRÉVUE CI-DESSUS. LES GARANTIES IMPLICITES, Y COMPRIS LES GARANTIES APPLICABLES DE QUALITÉ MARCHANDE ET D'APTITUDE À UN USAGE PARTICULIER, SONT LIMITÉES À UN AN OU À LA PLUS COURTE PÉRIODE AUTORISÉE PAR LA LOI. MAYTAG N'ASSUME AUCUNE RESPONSABILITÉ POUR LES DOMMAGES FORTUITS OU INDIRECTS. CERTAINES JURIDICTIONS NE PERMETTENT PAS L'EXCLUSION OU LA LIMITATION DES DOMMAGES FORTUITS OU INDIRECTS, OU LES LIMITATIONS DE LA DURÉE DES GARANTIES IMPLICITES DE QUALITÉ MARCHANDE OU D'APTITUDE À UN USAGE PARTICULIER, DE SORTE QUE CES EXCLUSIONS OU LIMITATIONS PEUVENT NE PAS S'APPLIQUER DANS VOTRE CAS. CETTE GARANTIE VOUS CONFÈRE DES DROITS JURIDIQUES SPÉCIFIQUES ET VOUS POUVEZ ÉGALEMENT JOUIR D'AUTRES DROITS QUI PEUVENT VARIER D'UNE JURIDICTION À UNE AUTRE.

À l'extérieur du Canada et des 50 États des États-Unis, cette garantie ne s'applique pas. Contacter votre marchand Maytag autorisé pour déterminer si une autre garantie s'applique.

Si vous avez besoin de service, voir d'abord la section "Dépannage" du Guide d'utilisation et d'entretien. Après avoir vérifié la section "Dépannage", de l'aide supplémentaire peut être trouvée en vérifiant la section "Assistance ou service" ou en appelant Maytag. Aux É.-U., composer le **1-800-688-9900**. Au Canada, composer le **1-800-688-2002**. 5/06

**Conservez ce manuel et votre reçu de vente ensemble pour référence ultérieure. Pour le service sous garantie, vous devez présenter un document prouvant la date d'achat ou d'installation.**

Inscrivez les renseignements suivants au sujet de votre gros appareil ménager pour mieux vous aider à obtenir assistance ou service en cas de besoin. Vous devrez connaître le numéro de modèle et le numéro de série au complet. Vous trouverez ces renseignements sur la plaque signalétique située sur le produit.

Nom du marchand \_\_\_\_\_

Adresse \_\_\_\_\_

Numéro de téléphone \_\_\_\_\_

Numéro de modèle \_\_\_\_\_

Numéro de série \_\_\_\_\_

Date d'achat \_\_\_\_\_

**461970234611**

© 2006 Whirlpool Corporation.  
All rights reserved.  
Todos los derechos reservados.  
Tous droits réservés.

MAYTAG and the "M" Symbol are registered trademarks of Maytag Limited.  
MAYTAG y el símbolo "M" son marcas registradas de Maytag Limited.  
MAYTAG et le symbole "M" sont des marques déposées de Maytag Limited.  
All other marks are trademarks of Maytag Corporation.  
Todas las otras marcas son propiedad de Maytag Corporation.  
Toutes les autres marques de commerce appartiennent à Maytag Corporation.

6/06  
Printed in Germany  
Impreso en Alemania  
Imprimé en Allemagne

