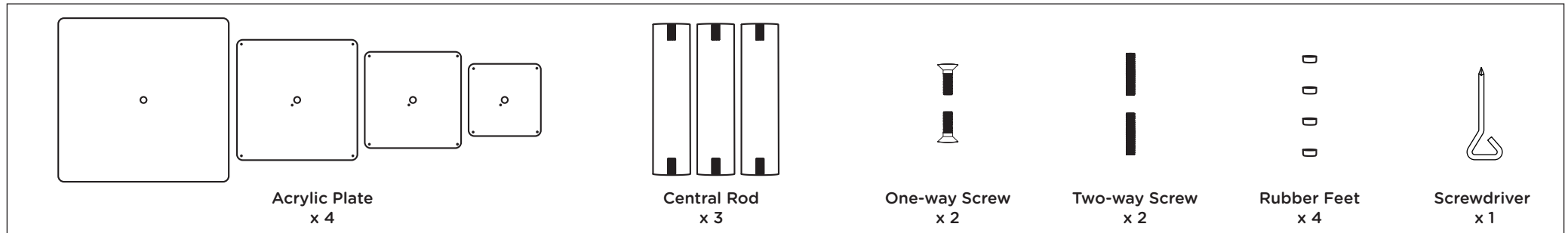
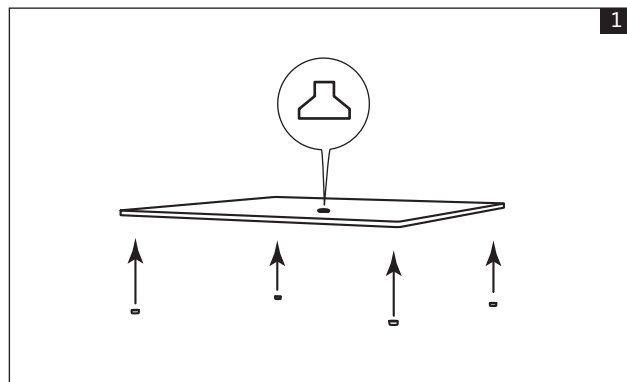


VDOMUS Acrylic Cupcake Display Stand Installation Instruction

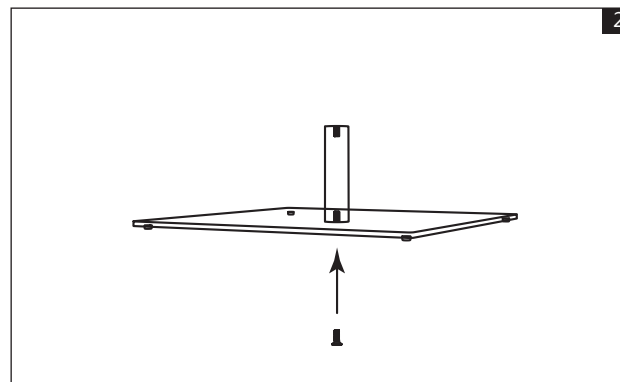
Contents:



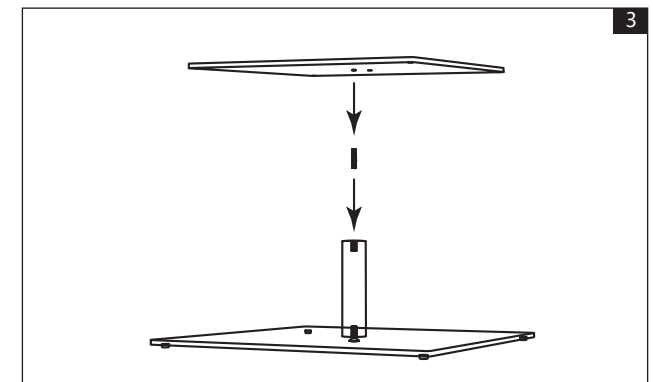
Installation instruction:



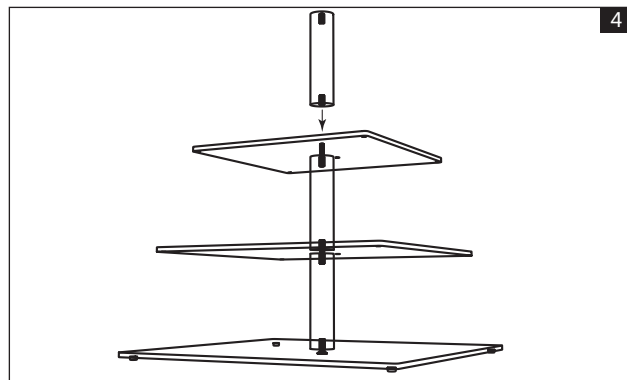
Step 1. As shown in Figure 1, take out the largest acrylic plate, the side with a larger diameter hole in the middle should be on the bottom, so as to install the one-way screw, then stick the rubber feet on the bottom four corners to avoid slippery



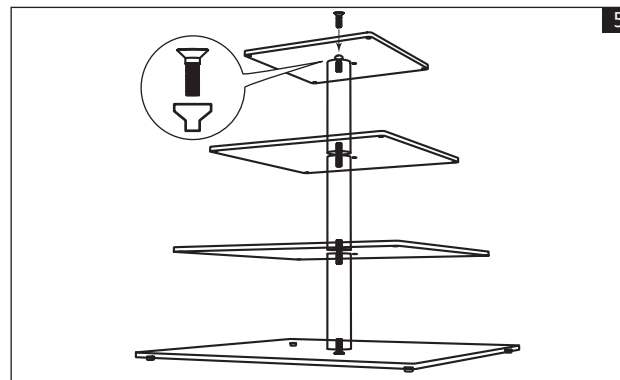
Step 2. As shown in Figure 2, take one central rod and a one-way screw to build the first stand, please tighten the screw with a screwdriver



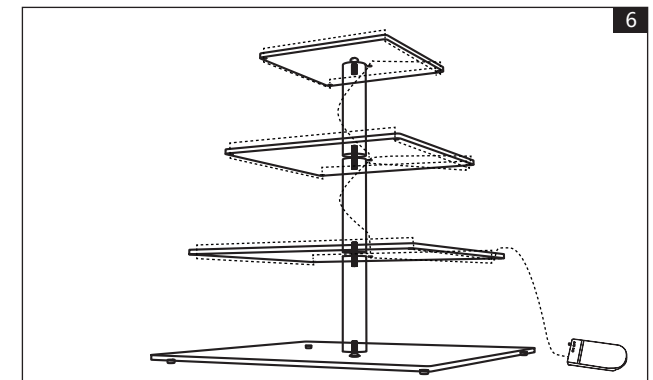
Step 3. As shown in Figure 3, place one end of the two-way screw into the central rod and tighten it, then take out the second largest plate and let the middle hole through the screw



Step 4. As shown in Figure 4, repeat step 3 to install the remaining two central rods and the third plate



Step 5. As shown in Figure 5, take out the smallest acrylic plate, the side with a larger diameter hole in the middle should be on the top, so as to install the one-way screw, please tighten the screw with a screwdriver



Step 6. As shown in Figure 6, we have a string light as a gift for you, and there are some holes on the plates, you can optionally twine the sting lights on this stand to your own liking

VDOMUS GUARANTEE:

VDOMUS provides 12 months' guarantee and 24 hours customer service. If you have any problems or suggestions, please be free to contact us at vdomus@gmail.com, we will give you a friendly and easy-to-reach support.