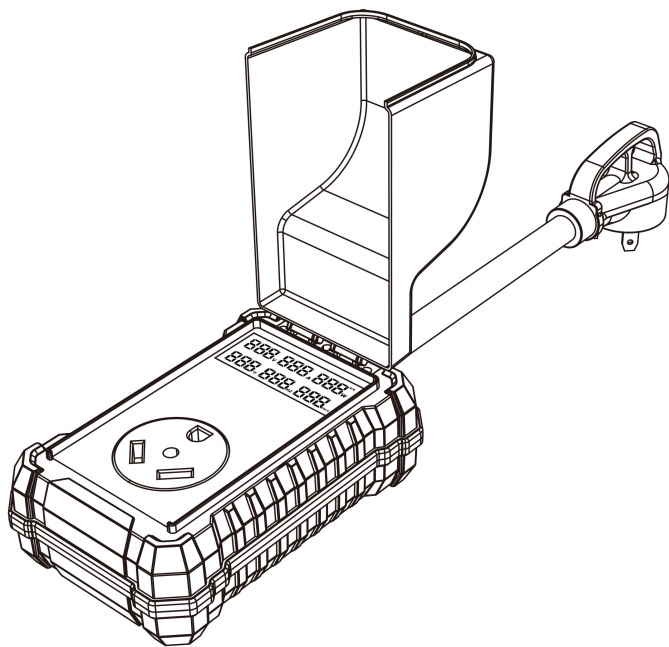


# SMART RV SURGE PROTECTOR



**30A**  
125V  
16000 Joules

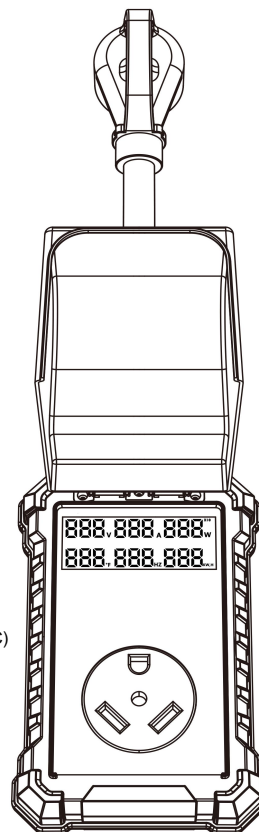
## SMART RV SURGE PROTECTOR

### CORRECT WIRNG

V	A	W
°F	HZ	KWh

### CIRCUIT ANALYZER

- E1: VOLTAGE BELOW 104V
- E2: VOLTAGE OVER 132V
- E3: OPEN GROUND
- E4: REVERSE POLARITY
- E5: OVER TEMPERATURE ALARM AT 230°F(110°C)  
RESET AT 140°F(60°C)
- E6: TEMPERATURE SENSOR ABNORMAL
- NO POWER, HOT OR NEUTRAL OPEN



## SAFE USE GUIDE

Surge Protector

### Protector

1. Normal use at voltage 104-132V.
2. Normal use at temperatures below 230°F.
3. Normal use when connected correctly.

### ⚠ Warning

Taking these preventative measures can help reduce the risk of electrical shock or fire:

- \* Do not exceed the electrical rating of the product for any reason.
- \* Do not plug the product into an inverter.
- \* Do not modify the product in any way.
- \* Do not submerge the product in water.
- \* Use the product in an upright position.
- \* Please take preventative measures before connecting your portable unit to the pedestal and/or electrical power.
- \* Confirm that the surge protection unit is connected directly to the power source.
- \* Misuse may result in heat damage.

### Power Connection

⚠ **WARNING:** To minimize the risk of electrical shock, follow these instructions:

- \* Turn off the power of the RV before connecting or disconnecting the power cable.
- \* When the screen lights up and display voltage(104-132V), it is safe to connect the Surge Protector to your RV.

### Adapters:

Adapters can be used with surge protectors without impacting the surge protection functionality. If you are using an adapter to connect a 30A power source to a 50A surge protector, please note that only your 125V devices will function when plugged into the power source. If you are using an adapter to connect a 30A power source to a 50A EMS surge protector, please note that your two line voltage readings will be identical.

## OPERATING INSTRUCTIONS

\*The sleek, compact, and portable design of this unit makes it easy to use and store.

\* Plug-and-play application, no installation required.

\* Designed for recreational vehicle use only.

### Installation steps:

**Step 1:** Plug the smart RV surge protector into the AC power supply. Do not plug it into your RV at this time. Check if the screen lights up and observe if the voltage displayed on the screen is within the normal range

**Step 2:** When the screen lights up and the voltage displayed on the screen is in the correct range, it indicates the correct wiring conditions. If this does not happen, you may experience one of the other seven wiring situations shown in the figure

**Step 3:** Plug in your RV power to the Smart Surge Protector, referring to Step 2 above for surge protection wiring conditions.

## TECHNICAL SPECS

Operating Current	30 Amps
Operating Voltage	125 Volts
Maximum Watts	3750 Watts
Energy Dissipation	13000 Joules
Waterproof Level	IP67

## PROBLEM INDICATION CODE

CORRECT WIRNG	V	A	W
	°F	HZ	KWh
E1: VOLTAGE BELOW 104V			
E2: VOLTAGE OVER 132V			
E3: OPEN GROUND			
E4: REVERSE POLARITY			
E5: OVER TEMPERATURE ALARM AT 230°F(110°C)RESET AT 140°F(60°C)			
E6: TEMPERATURE SENSOR 1 ABNORMAL E8: TEMPERATURE SENSOR 2 ABNORMAL			
NO POWER, HOT OR NEUTRAL OPEN			

## ABOUT US

Our engineers develop a range of high quality electrical solutions designed for harsh environments. Every product meets exacting performance specifications and is designed to withstand extreme conditions.

FC RoHS  
Made in China

