

Operating instructions

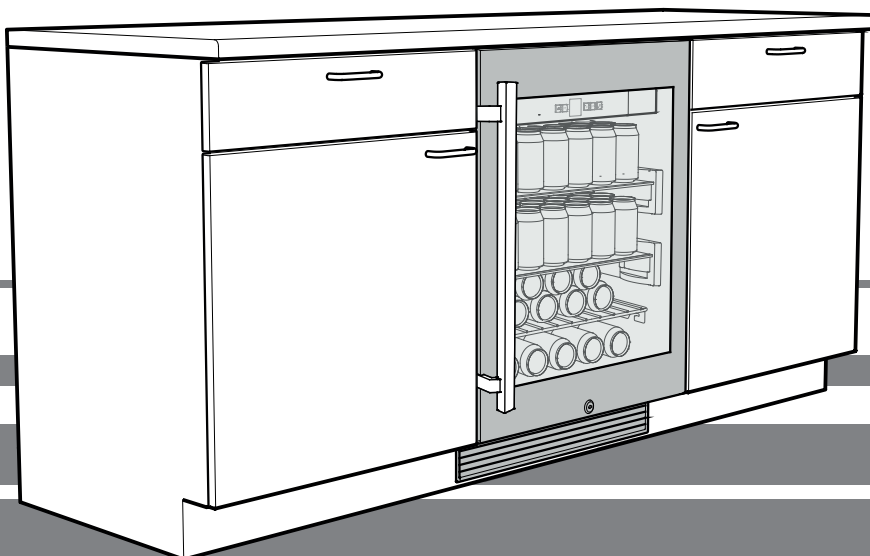
Refrigerator

Read the operating instructions before switching on for the first time

EN

Installation instructions

Page 10



7080 232-01

UKes 1752

LIEBHERR

Content

Description of the appliance.....	2
Noise emissions from the appliance	2
Disposal notes.....	2
Safety instructions.....	3
Range of appliance use.....	4
Climate rating	4
Setting up	4
Appliance dimensions	4
Electrical connection.....	4
Operating and control elements	4
Switching the appliance on and off	4
Setting the temperature.....	5
Ventilation function.....	5
Door open alarm.....	5
Temperature alarm	5
Interior light.....	5
Safety lock.....	5
Setup mode	6
Equipment	7
Cleaning	8
Malfunctions.....	9
Shutting your appliance down	9

Installation instructions

Supplied accessories	10
Mounting the dust filter	10
Appliance venting.....	10
Appliance dimensions	11
Installation dimensions.....	11
Installing the appliance.....	12
Changing over door hinges	14

Disposal notes

The appliance contains reusable materials and should be disposed of properly - not simply with unsorted household refuse. Appliances which are no longer needed must be disposed of in a professional and appropriate way, in accordance with the current local regulations and laws.



When disposing of the appliance, ensure that the refrigerant circuit is not damaged to prevent uncontrolled escape of the refrigerant it contains (data on type plate) and oil.

- Disable the appliance.
- Pull out the mains plug.
- Cut through the connection cable.

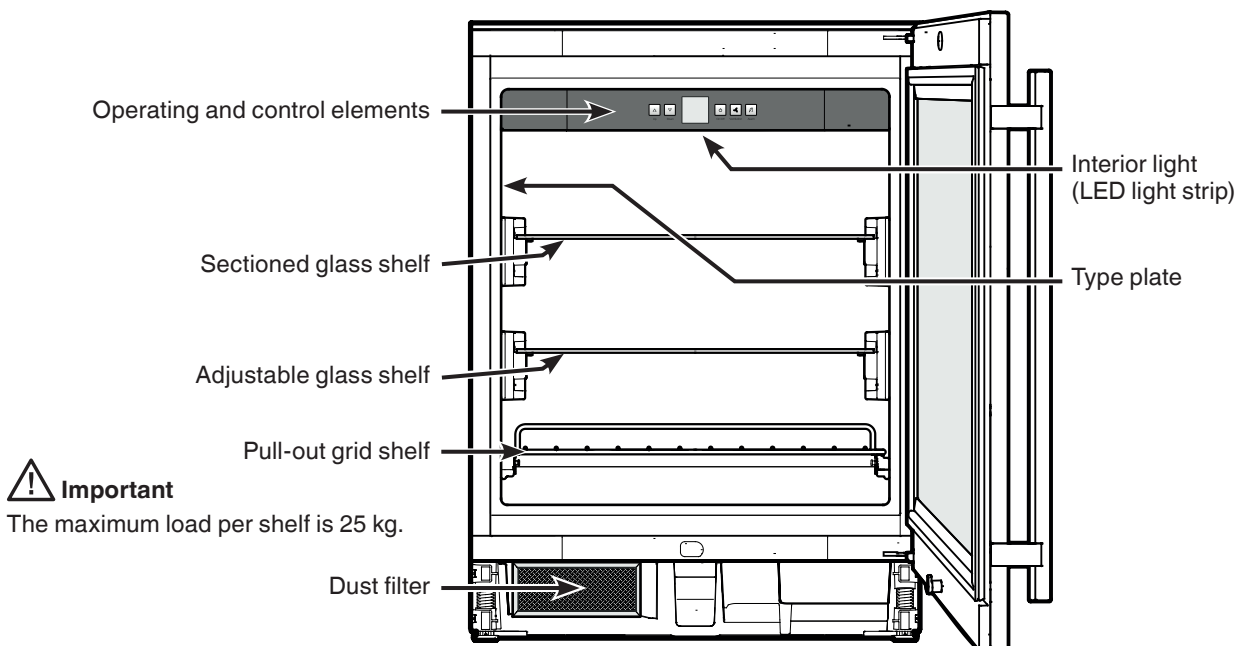
WARNING

Danger of suffocation due to packing material and plastic film!

Do not allow children to play with packaging material.

Take the packaging material to an official collection point.

Description of the appliance



Noise emissions from the appliance

The noise level while the appliance is operating is below 70 dB(A) (relative noise level 1 pW).

Safety instructions

Dangers for the user

- Keep the operating instructions to hand near the appliance.
- Pass the operating instructions to any subsequent owner.
- To prevent injury and damage to property, the appliance should only be installed by two people.
- After unpacking it, check the appliance for signs of damage.
- Contact the supplier if it is damaged. Do not connect the appliance to the mains power supply.
- Avoid prolonged skin contact with cold surfaces (e.g. chilled/frozen products). If necessary, take safety action (e.g. gloves).
- Do not use the appliance in potentially explosive atmospheres.
- Do not allow any naked flames or other ignition sources to enter the appliance.
- Do not use electric heaters or steam cleaners, naked flames or defrosting sprays to defrost the appliance.
- Do not remove ice with sharp objects.
- Ensure that the cooling circuit is not damaged during transport and cleaning.
- If the cooling circuit is damaged, ventilate the room well and keep ignition sources away from the appliance.
- To avoid a hazard due to instability of the appliance, it must be fixed in accordance with the instructions.



Incorrect handling of inflammable refrigerants

- Ensure that the refrigerant circuit pipes will not be damaged.
- Do not allow naked flames or ignition sources to enter the appliance.
- Do not use electrical devices inside the appliance (e.g. ice cream makers, etc.).

If refrigerant escapes:

- Keep naked flames and ignition sources away from the leak area.
- Ventilate the room well.
- Notify the customer service department.

Incorrect installation and repair work

- Only carry out repair and other work on the appliance when the mains plug has visibly been disconnected.

- All repairs and work on the appliance may only be carried out by customer service personnel or other trained personnel.
- The mains power cable may only be replaced by customer service personnel or other trained personnel.
- Only install, connect and dispose of the appliance as described in these operating instructions.

Non-intended use

- Do not seal ventilation openings on the appliance housing or enclosure.
- When disconnecting the appliance from the mains, pull on the plug, not on the cable.
- In the event of a fault, pull out the plug or switch off the fuse.
- Ensure that food which has been stored for too long is not consumed. Dispose of food which has been stored for too long properly.
- Do not store explosive substances or spray cans with inflammable propellants (propane, butane, pentane, etc.) in the appliance. There is a danger that any leaking gases may be ignited by electrical components.
- Check that spray cans do not contain inflammable propellants before storing them in the appliance. Inflammable propellants are listed in the contents or indicated by a flame symbol printed on the container.
- Do not use the interior LED light to light the room. The interior LED light is only designed to illuminate the interior of the appliance.
- Do not use electrical devices inside the appliance (e.g. ice cream makers, etc.).
- If you have a lockable appliance, do not keep the key near the appliance or within reach of children.



Incorrect storage of inflammable substances

- Do not store explosive substances or spray cans with inflammable propellants (propane, butane, pentane, etc.) in the appliance. There is a danger that any leaking gases may be ignited by electrical components.
- Check that spray cans do not contain inflammable propellants before storing them in the appliance. Inflammable propellants are listed in the contents or indicated by a flame symbol printed on the container.
- Alcoholic drinks or other vessels containing alcohol should be sealed tightly for storage.

Range of appliance use

The appliance is suited only for cooling food.

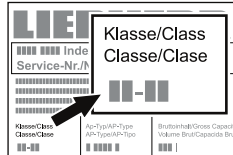
The appliance is not suited for storing and cooling pharmaceuticals, blood plasma, laboratory preparations or similar substances and products subject to the Medical Devices Directive 2007/47/EC.

Any misuse of the appliance may result in damage to or spoilage of the stored goods.

Furthermore, the appliance is unsuited for use in areas exposed to an explosion hazard.

Climate rating

The climate rating indicates at what room temperature the appliance may be operated to achieve full cooling capacity and what the maximum humidity level in the area around the appliance may be to ensure that no condensation forms on the exterior housing.

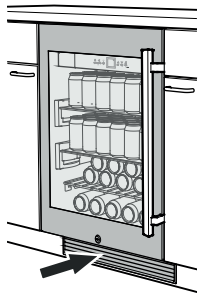


The climate rating is indicated on the type plate.

Climate rating	Max. room temperature	Max. relative humidity
4	30°C	55 %

The minimum room temperature at the place of installation is 10°C.

Setting up

- Avoid positioning the appliance in direct sunlight or near cookers, radiators and similar sources of heat.
- Standard EN 378 specifies that the room in which you install your appliance must have a volume of 1 m³ per 8 g of R 600a refrigerant used in the appliance, so as to avoid the formation of inflammable gas/air mixtures in the room where the appliance is located in the event of a leak in the refrigerant circuit. The quantity of refrigerant used in your appliance is indicated on the type plate on the inside of the appliance.
- Do not cover ventilation openings or grille. 

Appliance dimensions

	Width [mm]	Height [mm]	Depth with handle [mm]
UKes 1752	597	816	618

Electrical connection

Only operate the appliance with **alternating current (AC)**.

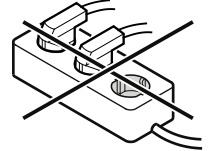
The permissible voltage and frequency are indicated on the type plate. The position of the type plate is shown in the section entitled **Description of the appliance**.

The socket must be properly earthed and protected by a fuse.

The tripping current of the fuse must be between 10 A and 16 A.

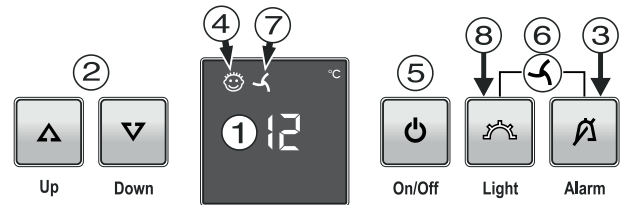
The socket must not be situated behind the appliance and must be easily accessible.

Do not connect the appliance using an extension cable or extension socket.



Do not use stand-alone inverters (conversion of direct current to alternating/three-phase current) or energy-saving plugs. Risk of damage to the electronic control system!

Operating and control elements



- ① Temperature display
- ② Temperature setting buttons
- ③ Audible warning On/Off button
- ④ Child lock activated symbol
- ⑤ On/Off button
- ⑥ Fan On/Off button combination
- ⑦ Fan On symbol
- ⑧ Interior light On/Off button

Switching the appliance on and off

Switching the appliance on

Press the **On/Off** button until the temperature display lights up.



On/Off

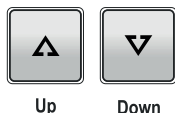
Switching the appliance off

Keep the **On/Off** button pressed for approx. 3 seconds so that the temperature display goes out.

Setting the temperature

Increasing the temperature

Press the **Up** button.



Reducing the temperature

Press the **Down** button.

- When pressing one of the buttons for the first time, the display will start to flash.
- Pressing this button again enables you to change the temperature setting.
- The electronic controls will switch over automatically about 5 seconds after the last time you pressed the button, and the actual temperature will be displayed.

Ventilation function

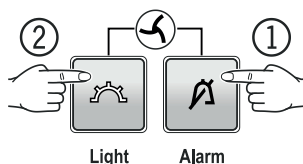
Switch on the Ventilation function when loading the appliance with a large number of beverages. This ensures an even interior temperature and has a positive effect on the cooling down process.

Switch off the Ventilation function approx. 12 hours after loading the appliance.

Switching on

Hold down the **Alarm** button and then press the **Light** button.

The LED  will come on.



Switching off

Hold down the **Alarm** button and then press the **Light** button.

The LED  goes dark.



Door open alarm

If the door is left open for more than 60 seconds, the audible warning signal will sound.

If the door must be opened for a lengthy period to place items into the appliance, cancel the audible warning signal by pressing the **Alarm** button.



The alarm switches back to standby when the door is shut.

Temperature alarm

If the temperatures in the interior are out of the permitted range, the audible warning signal will sound and the temperature display will flash.



- Cancel the audible warning signal by pressing the **Alarm** button.

After a lengthy power failure, the temperature in the interior may have risen to too high a level. After the power supply returns, the fall in temperature can be watched on the display.

The temperature display will stop flashing as soon as the temperature in the interior has reached the set value.

Temperature alarm after a fault in the appliance

If the appliance develops a fault, the temperature in the interior may rise too high or fall too low. The audible warning signal will sound and the temperature display will flash.

- Cancel the audible warning signal by pressing the **Alarm** button.

If the temperature displayed is too high (warm), first check whether the door is closed correctly.

If the temperature display continues to show a value that is too high or too low after one hour, contact the customer service department.

If **F1** appears in the display, the appliance has suffered a fault. In this case, contact the customer service department.

Interior light

The interior light will always switch on when the appliance door is opened.

The interior light will go out approx. 5 seconds after the door is closed.

Press the **Light** button if you want the interior light to be on even when the door is closed.

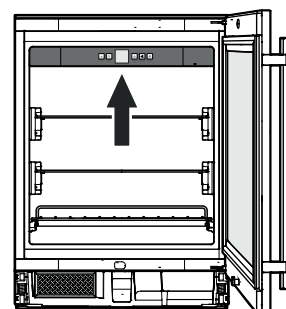


The light intensity of the LED light corresponds to laser class 1/1M.

Important

The light cover may only be removed by customer service staff.

If the cover is removed, do not look directly at the light through optical lenses from close distance. This can damage your eyes.



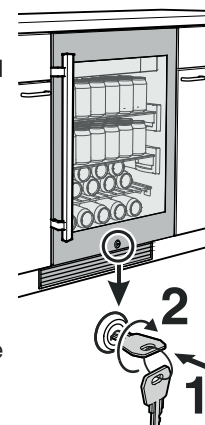
Safety lock

The lock in the appliance door is equipped with a safety mechanism.

Locking the appliance

- Insert the key as shown by arrow 1.
- Turn the key 90°.

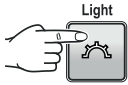

To unlock the appliance, the same procedure must be repeated in the same order.



Setup mode

In setup mode you can set the child lock and adjust the brightness of the display. The child lock is designed to protect the appliance from being switched off accidentally.

Activating the child lock

Press  for 5 seconds. Display = 

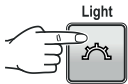

 Display = 

 Display = 

 Display = 

 Display = 

Deactivating the child lock

Press  for 5 seconds. Display = 

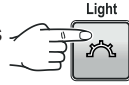

 Display = 

 Display = 

 Display = 

 Display = 

Adjusting the display brightness

Press  for 5 seconds. Display = 

 Display = 

 Display = 

Use buttons  and  to select the desired setting.

h1 = minimum brightness
h5 = maximum brightness

 Display = 

 Display = 

The adjusted brightness will be activated after one minute.

Note

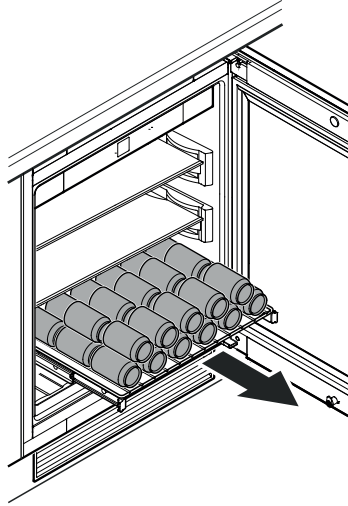
If a button is pressed, the display lights up for one minute at maximum brightness.

When commissioning the appliance, the adjusted brightness will only be active once the set interior temperature of the appliance has been reached.

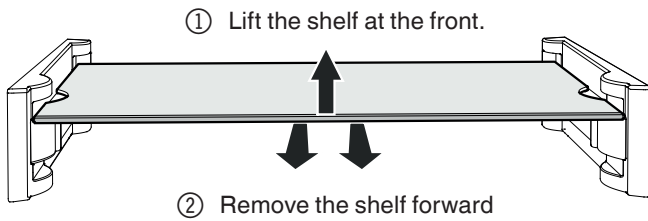
Equipment

Pull-out shelf

The pull-out shelf allows bottles or cans to be viewed and removed more easily.

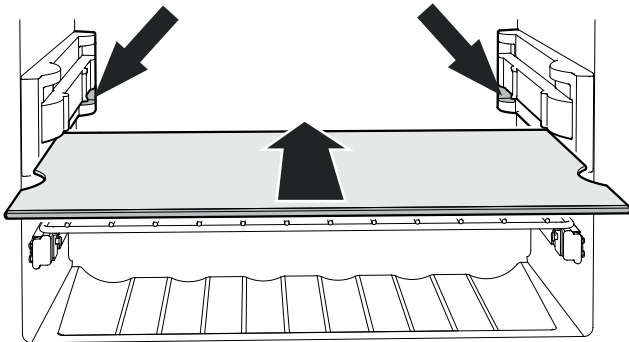


Repositioning the glass shelf



Insert the shelf in the bottom channel of the supports.

Be sure the rear angles of the shelf rests on the marked areas of the supports.

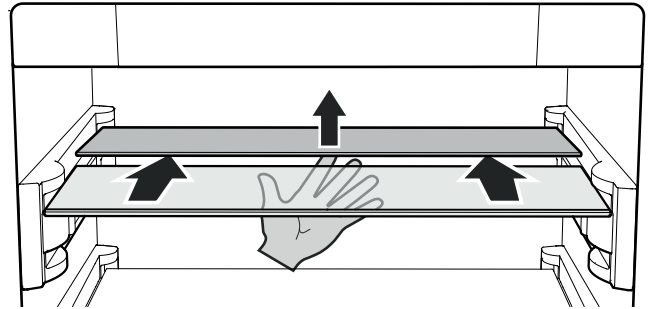


IMPORTANT

Do not place the shelf on the top of the supports.

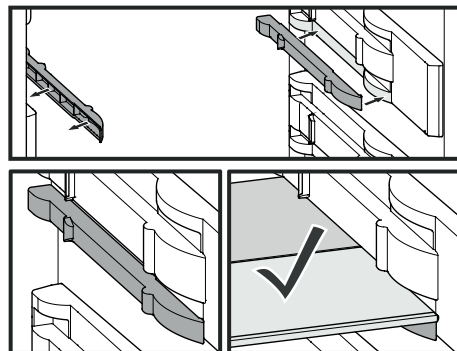
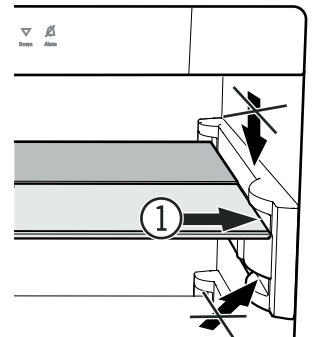
Sectioned glass shelf

If you need to make space for tall containers, simply carefully slide the **front half** of the sectioned glass shelf underneath the back half.



IMPORTANT

① The sectioned glass shelf may only be inserted in the top channel of the supports.



Cleaning

Clean the appliance at least twice per year.

Before cleaning, always switch off the appliance. Disconnect from the mains or switch off or unscrew the fuse.

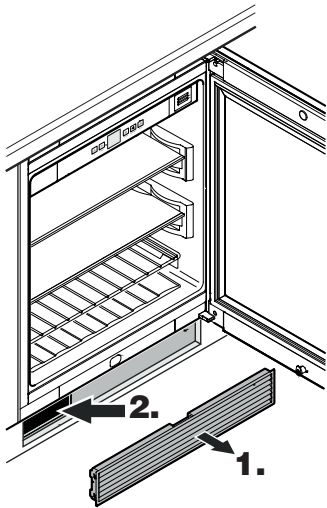
- Clean the inside and outer walls with lukewarm water and a little detergent. Do not use abrasive or acid cleaners or chemical solvents.
- Use a glass cleaner to clean the glass surfaces and a commercially available stainless-steel cleaning agent for the stainless-steel surfaces.

Do not use steam cleaners because of the risk of injury and damage.

- Ensure that no cleaning water penetrates into the electrical components or ventilation grille.
- Do not damage or remove the type plate on the inside of the appliance. It is very important for servicing purposes.

Cleaning the dust filter

The dust filter in the appliance plinth must be cleaned at least once a year.



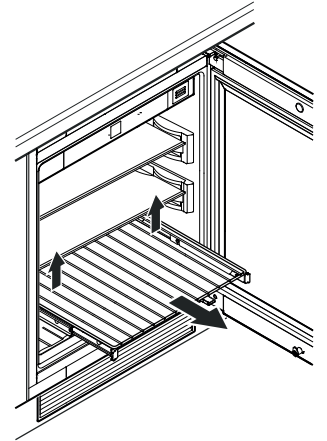
1. Remove the ventilation grille from the unit plinth.
2. Clean the dust filter using a vacuum cleaner.
3. Re-fit the ventilation grille.

Cleaning the appliance interior

Remove the glass shelves. Lift at the front and then remove the shelf towards you.

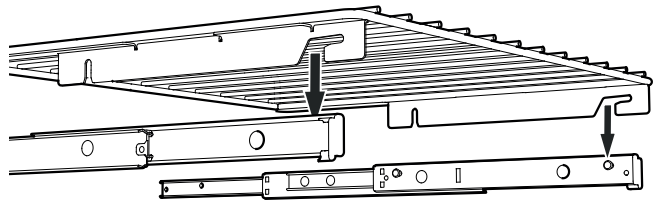
Removing the bottom shelf

Pull the shelf upwards on the right and left at the back and then remove it towards you. →



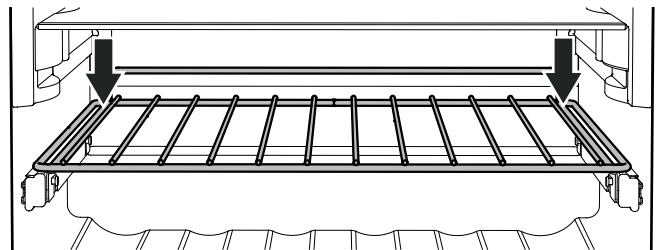
- Clean the inside of the appliance and equipment parts with lukewarm water and a little detergent.
- Thoroughly dry all parts with a cloth.
- **Do not** damage or remove the model plate on the inside of the appliance. It is very important for servicing your appliance.

Inserting the grid shelf



Extend the pull-out rails as far as they will go. Place the front recesses of the shelf on the securing pins.

Slide the shelf together with the pull-out rails into the appliance as far as they will go.



Push the shelf downwards on the right and left at the back and click into place.

Malfunctions

- **F1 appears in the display.**

- The appliance has suffered a fault. Contact the customer service department.

- **The fans inside the appliance are running although the fan function has been deactivated and the compressor (refrigeration unit) is idle.**

- This is a normal operating state depending on the set interior temperature and ambient temperature at the place of installation.

You may be able to rectify the following faults by checking the possible causes yourself.

- **Appliance does not function:**

- Is the appliance switched on?
- Is the plug correctly fitted in the mains socket?
- Is the fuse intact?

- **When inserting the mains plug, the refrigeration unit does not switch on, but a value is shown in the temperature display.**

- Demo mode is activated. Contact the customer service department.

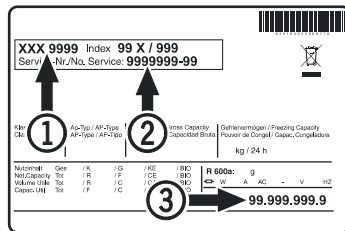
- **Loud running noise:**

- Is the appliance set up firmly on the floor?
- Does the appliance cause nearby items of furniture or objects to vibrate? Please note that noises caused by the refrigerant circuit cannot be avoided.

- **The temperature is not low enough:**

- Is the temperature setting correct (see "Setting the temperature")?
- Does the separately installed thermometer show the correct reading?
- Is the ventilation system working properly?
- Is the dust filter in the appliance plinth soiled? See section entitled "Cleaning the dust filter".
- Is the appliance set up too close to a heat source?

If none of the above causes apply and you cannot rectify the fault yourself, contact the nearest customer service department stating the type designation ①, service number ② and appliance number ③ as indicated on the type plate.



The position of the type plate is shown in the section entitled **Description of the appliance**.

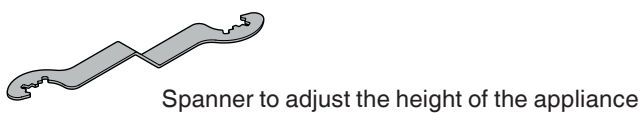
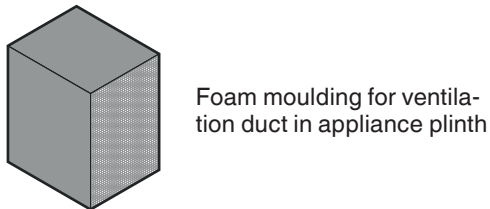
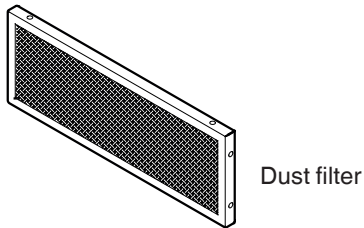
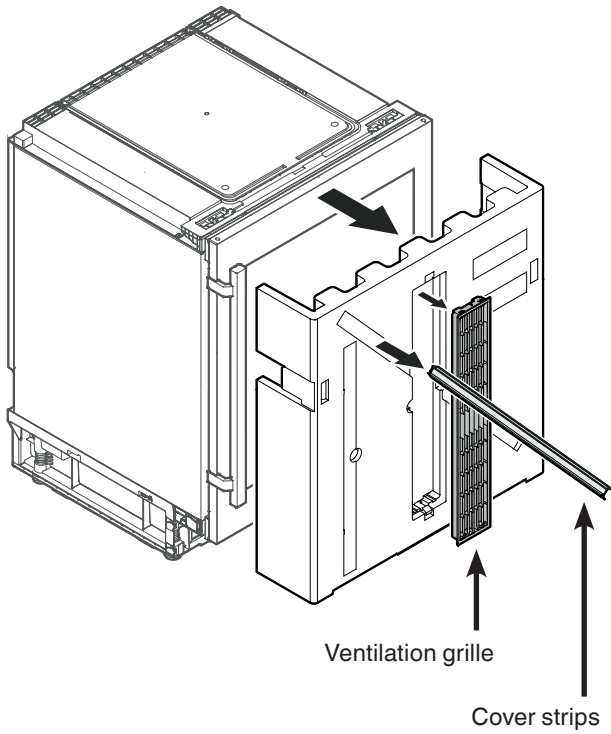
Shutting your appliance down

If your appliance is to be shut down for any length of time, switch it off and disconnect the plug or switch off or unscrew the fuse.

Clean the appliance and leave the door open in order to prevent unpleasant smells.

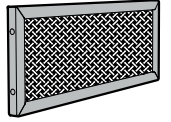
The appliance complies with the relevant safety regulations and EU Directives 2014/30/EU, 2014/35/EU and 2006/42/EG.

Supplied accessories



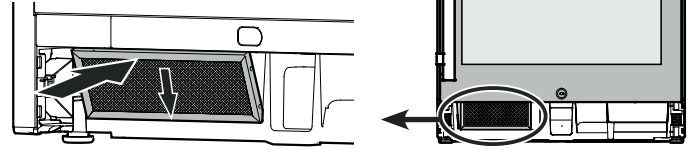
Mounting the dust filter

The supplied dust filter prevents that dirt enters the motor compartment, reducing the refrigeration performance. Therefore always install the dust filter.



Remove the protective film from the dust filter.

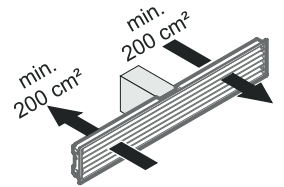
Insert the filter **at the bottom** and click into place **at the top**.



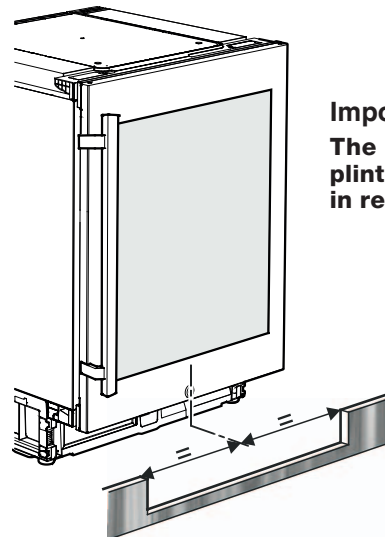
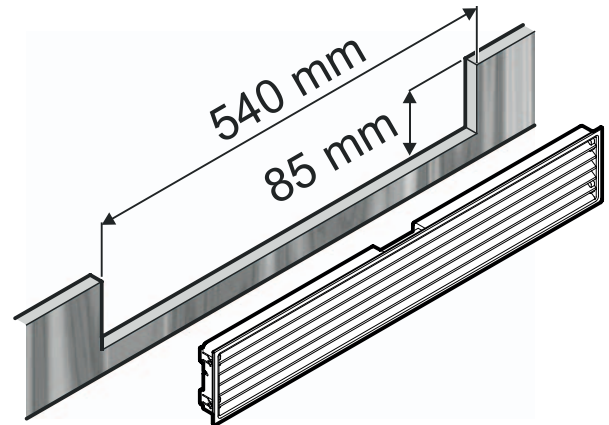
Appliance venting

The required airflow is directed through the plinth.

It is important to use the provided ventilation grille for the ventilation opening.



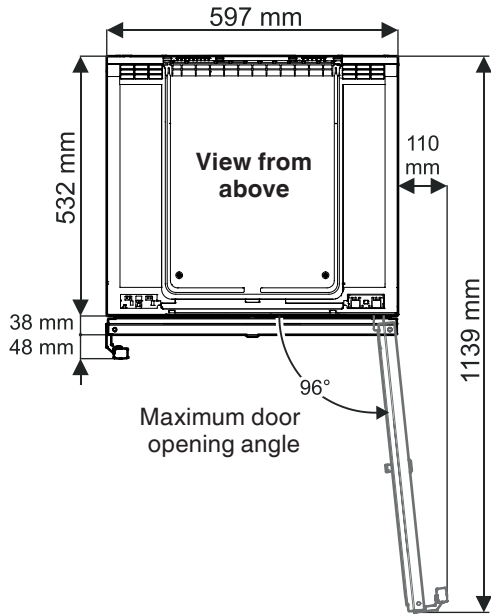
Cut-out section in the plinth panel



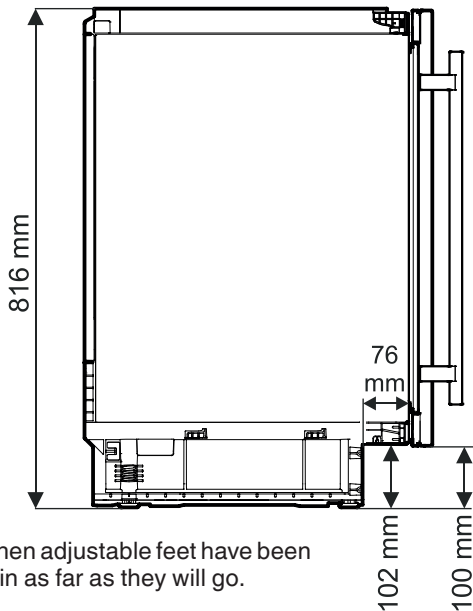
Important

The cut-out section in the plinth panel must be centred in relation to the appliance.

Appliance dimensions



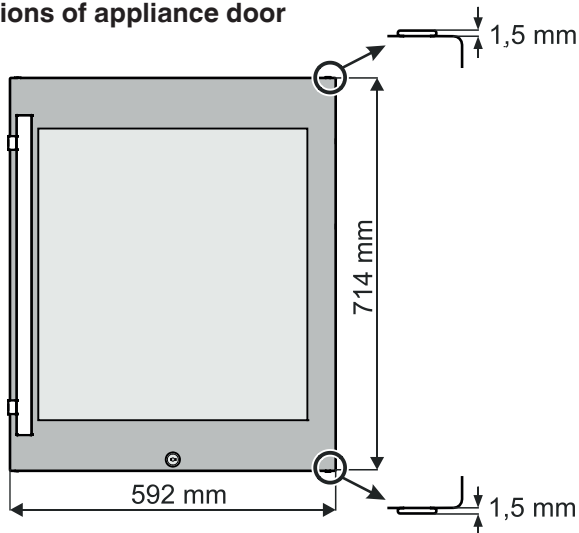
Side view



Height when adjustable feet have been screwed in as far as they will go.

Maximum height adjustment = 50 mm

Dimensions of appliance door



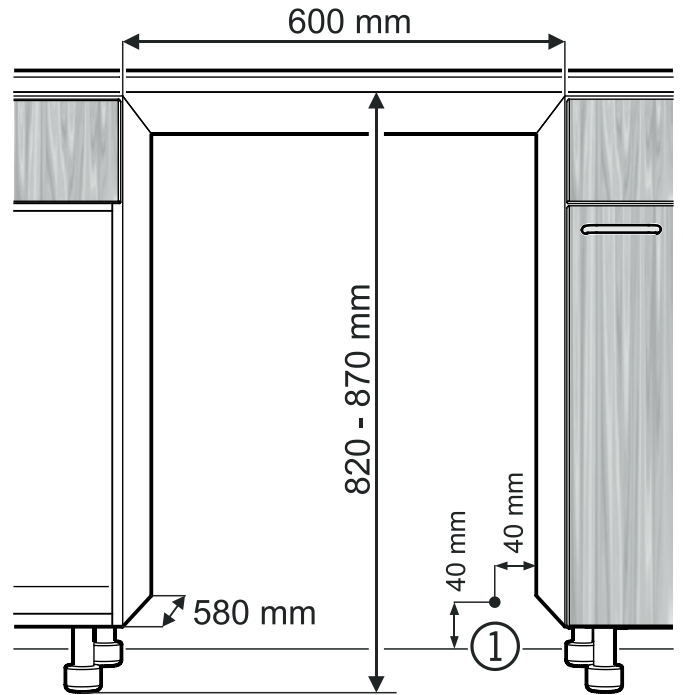
Installation dimensions

Important

In order to avoid any problems when installing the appliance and to avoid damage to the appliance, the following conditions must be complied with.

The floor on which the appliance stands must be horizontal and level.

The kitchen unit must be aligned horizontally and vertically.



① In this area, the power cord comes out of the appliance rear.

Free length of the power cord = **2000 mm**

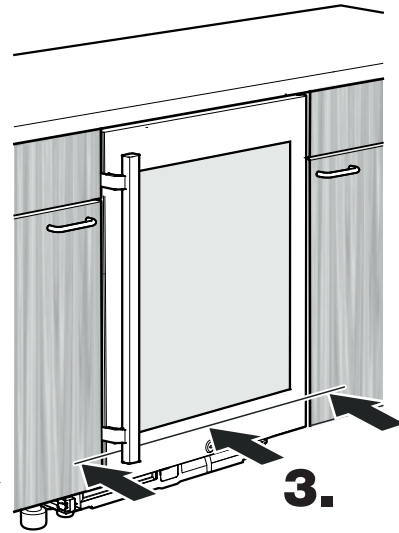
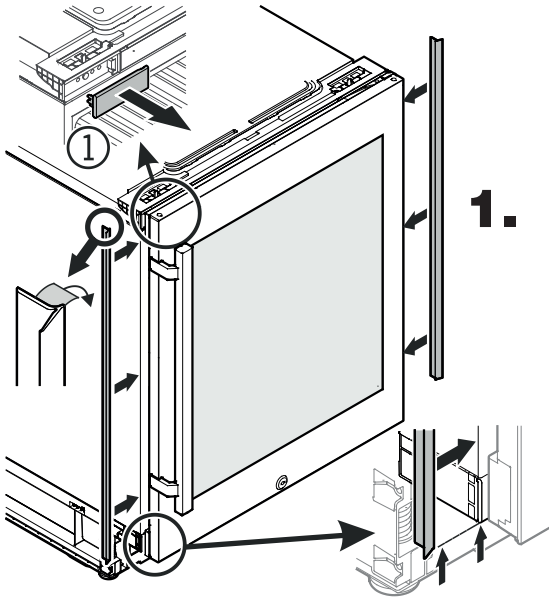
Choose the position of the socket considering these specifications.

The socket must not be situated behind the appliance and must be easily accessible.

Installing the appliance

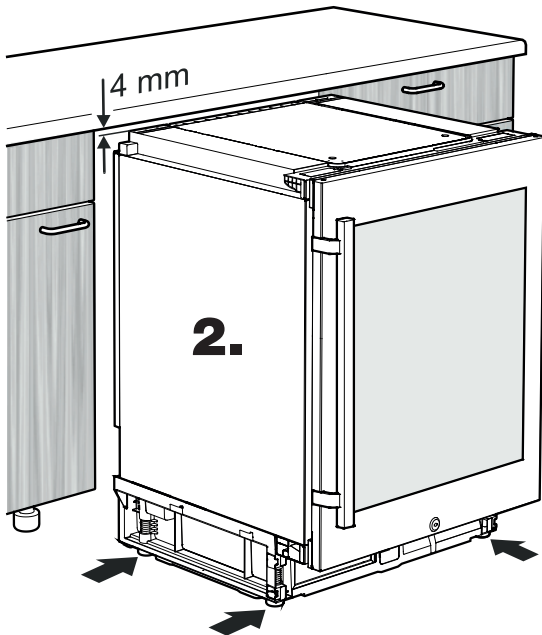
- 1.**
Remove cover ①.

Apply the cover strips to the leading edge of the appliance housing on the left and right.

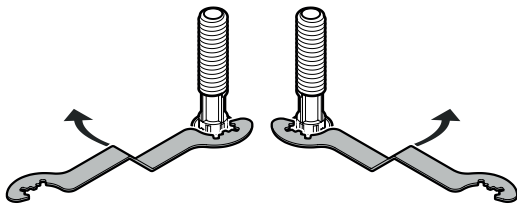


- 3.**
Slide in the appliance until the front surface of the appliance door is flush with the unit fronts.

When sliding in the appliance, make sure that the mains cable is not damaged!



- 2.**
Adjust the height of the appliance to 4 mm less than the recess height by turning the adjustable feet clockwise.

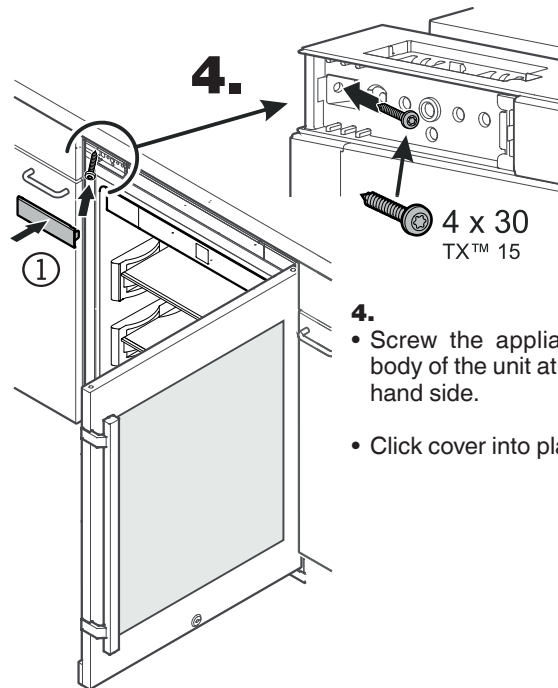


Turn the spanner anticlockwise to raise the appliance front and clockwise to lower it.

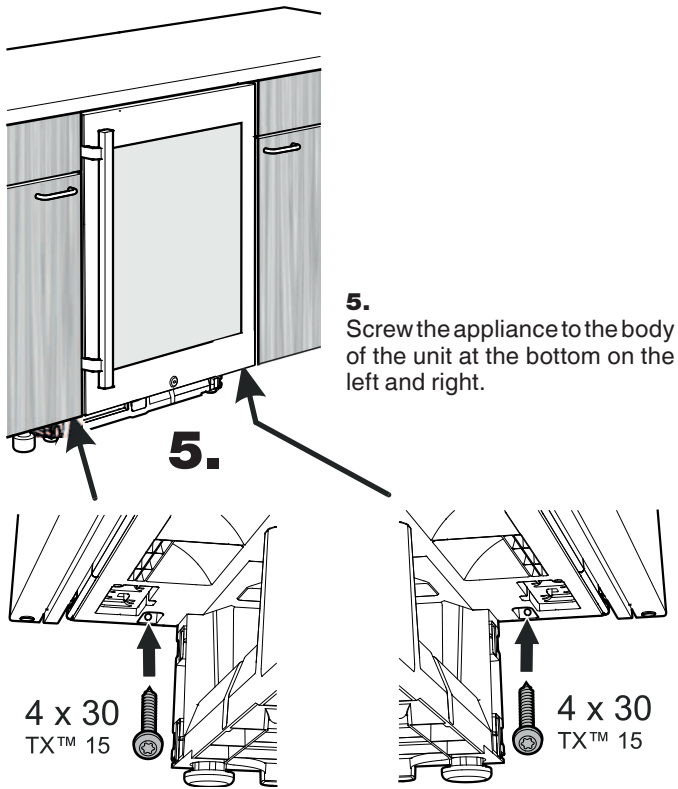
Position the spanner accordingly

Important

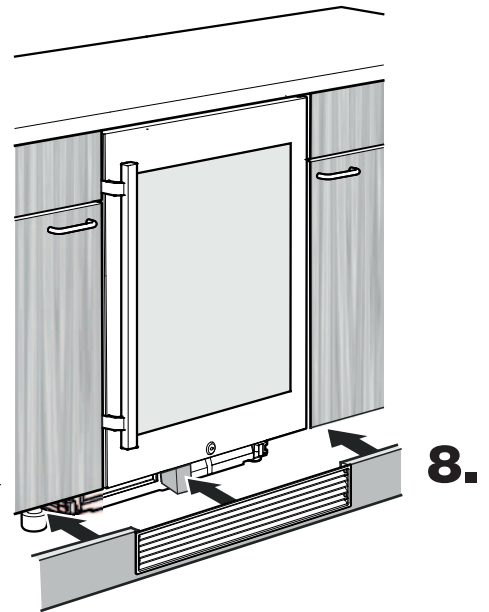
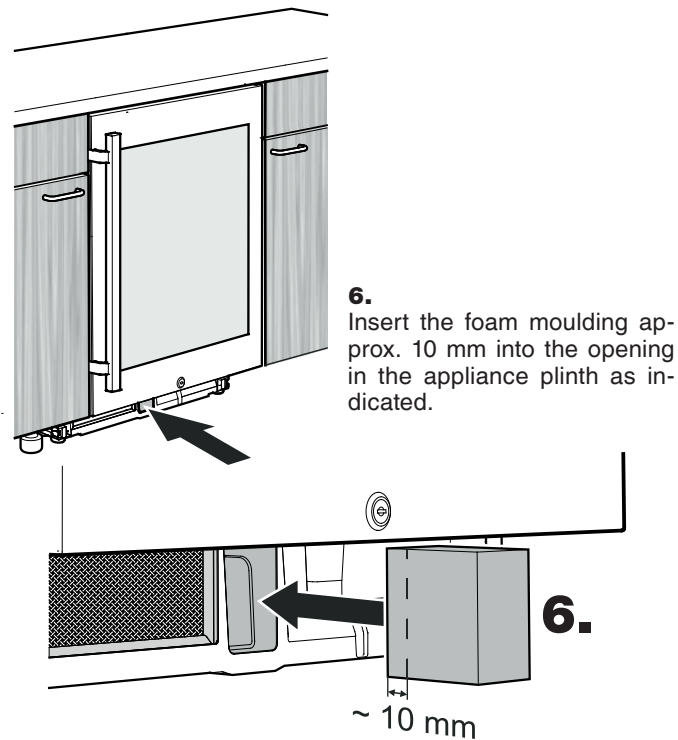
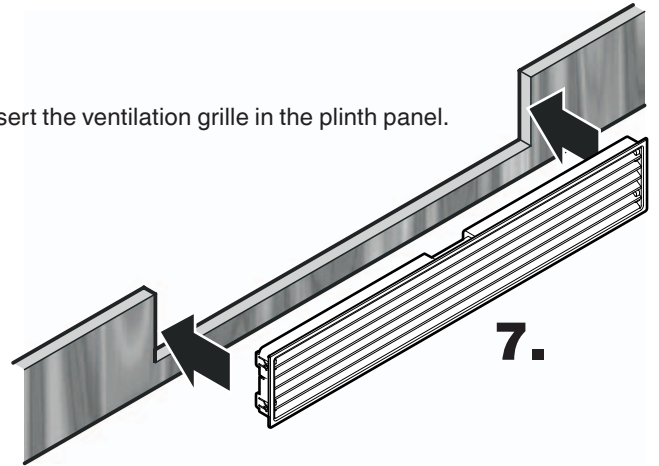
The appliance must be aligned horizontally and vertically. If the appliance is not level, the main body of the appliance can be deformed and the door will not close properly.



- 4.**
- Screw the appliance to the body of the unit at the top left-hand side.
 - Click cover into place again.



7. Insert the ventilation grille in the plinth panel.



8. Fit the plinth panel. In doing so, the foam moulding is pushed backwards into its final position.

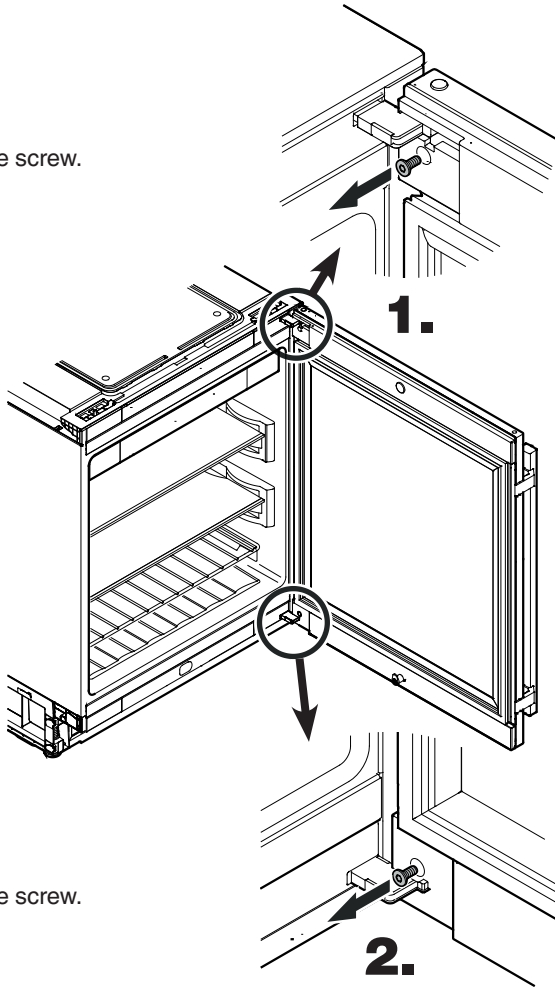
Important
The foam moulding must be touching the ventilation grille.

Important
If the foam moulding is not installed, the appliance will not achieve its full refrigeration performance during operation.

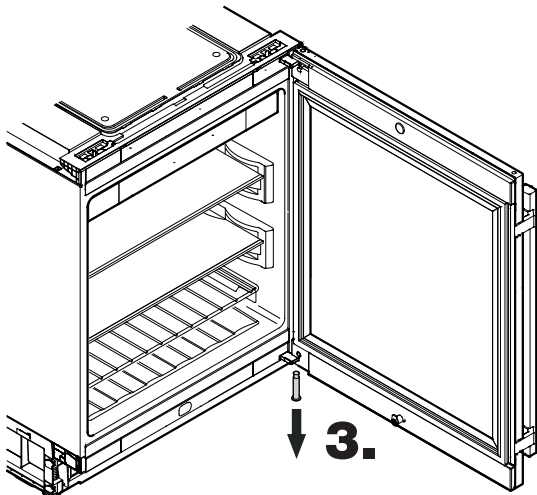
Changing over door hinges

Door hinges should only be changed by a trained expert.
Changing the door hinges must be done by two people.

1. Remove screw.



2. Remove screw.

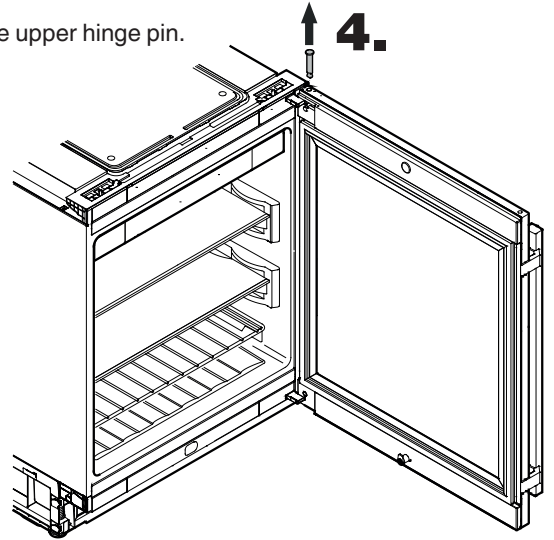


Important

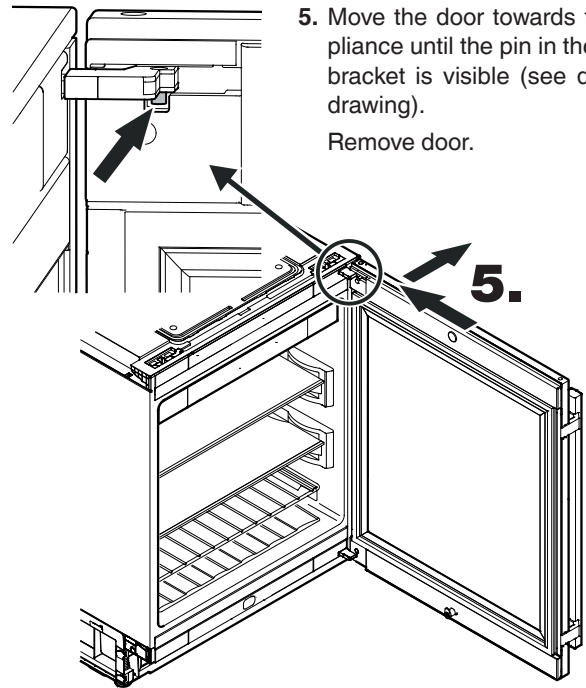
The door must now be held secure by somebody.

3. Pull out hinge pin.

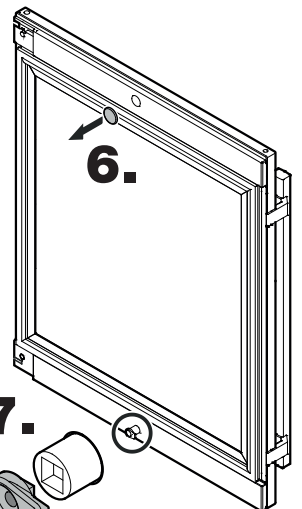
4. Remove upper hinge pin.



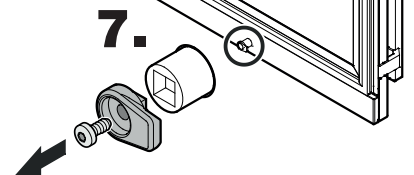
5. Move the door towards the appliance until the pin in the hinge bracket is visible (see detailed drawing).
Remove door.

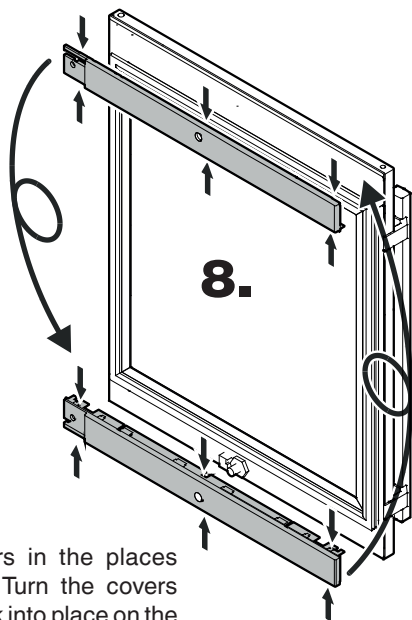


6. Remove cover.



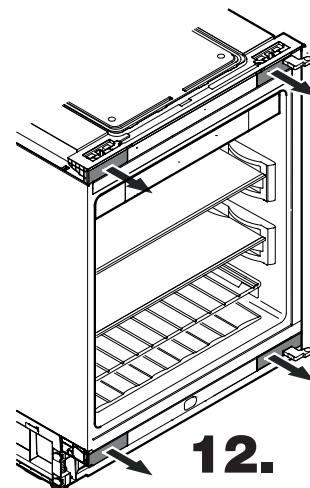
7. Unscrew door latch.



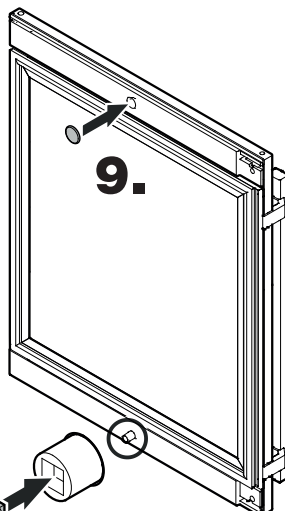


8. Compress the covers in the places shown and release. Turn the covers through 180° and click into place on the opposite side.

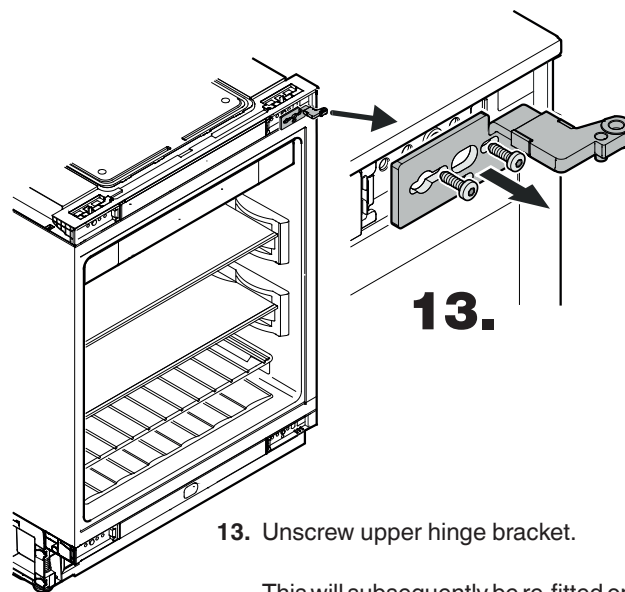
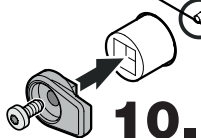
12. Remove the covers.



9. Click cover into place.



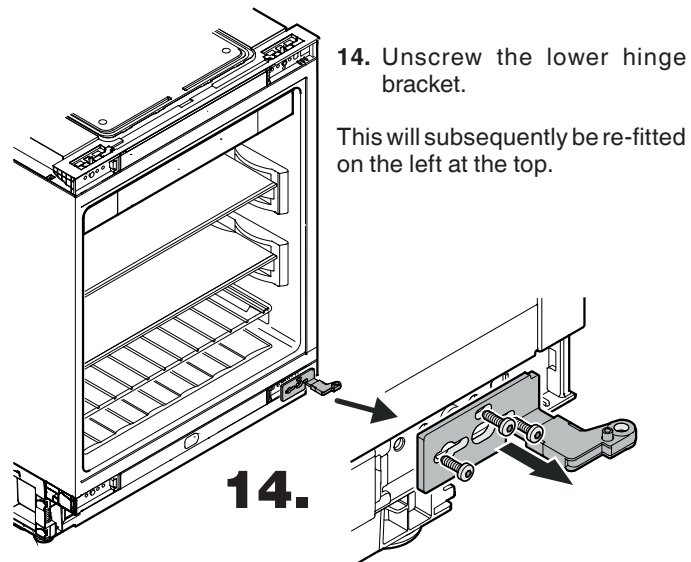
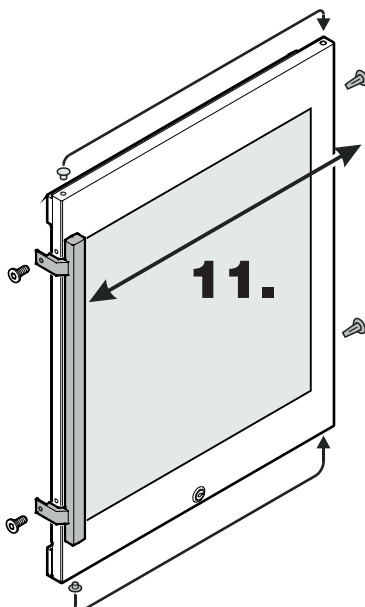
10. Screw on the door latch.



13. Unscrew upper hinge bracket.

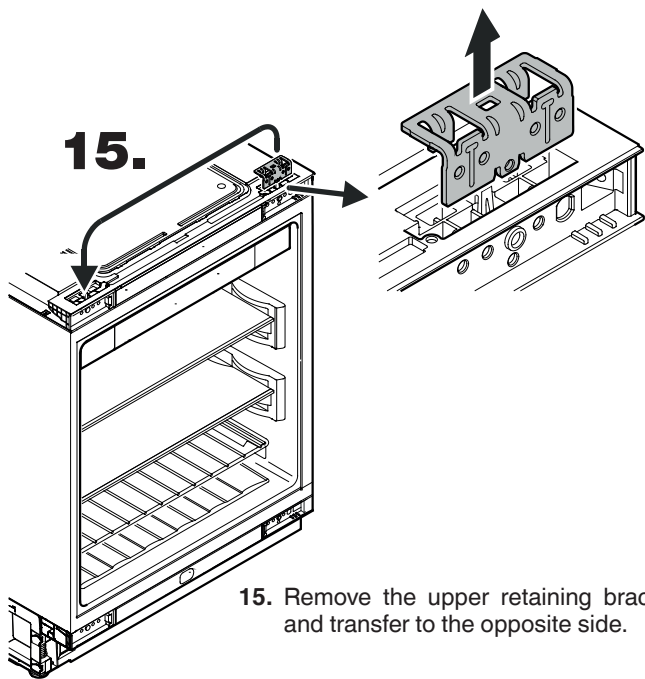
This will subsequently be re-fitted on the left at the bottom.

11. Transfer door handle and plugs to the opposite side.



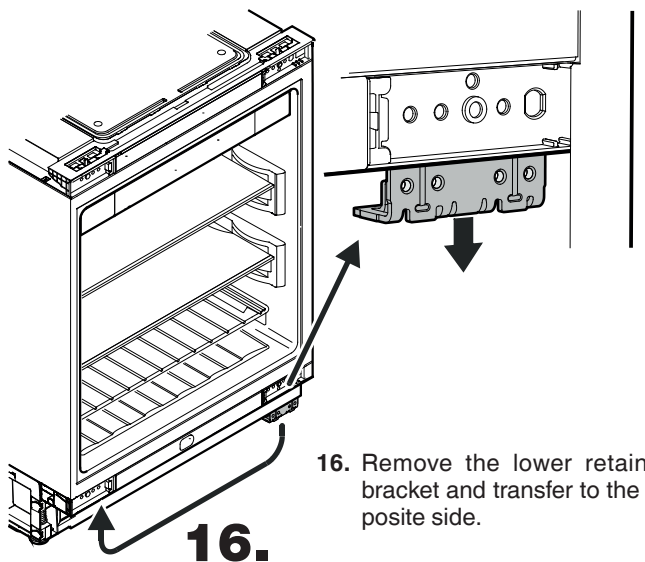
14. Unscrew the lower hinge bracket.

This will subsequently be re-fitted on the left at the top.



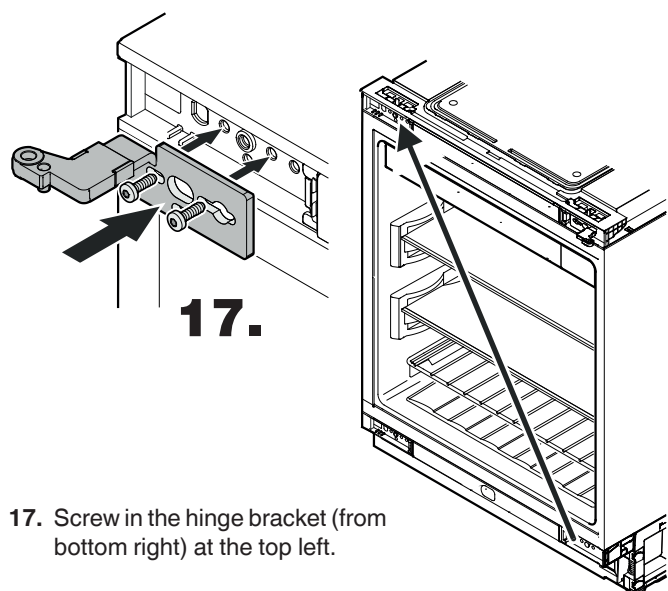
15.

15. Remove the upper retaining bracket and transfer to the opposite side.



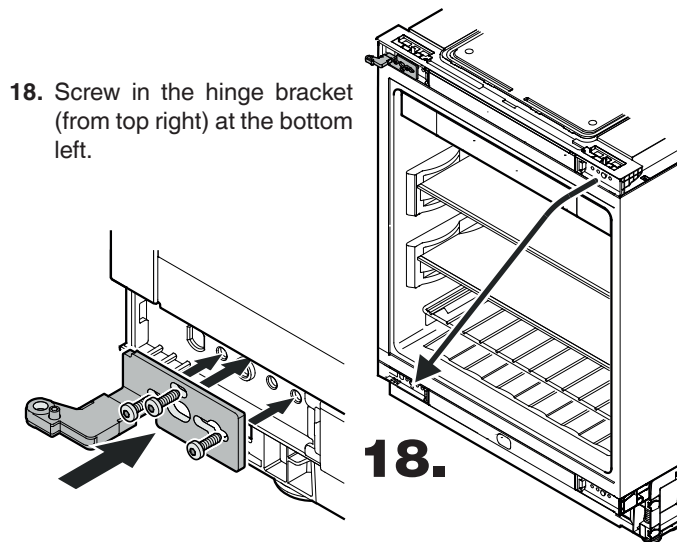
16.

16. Remove the lower retaining bracket and transfer to the opposite side.



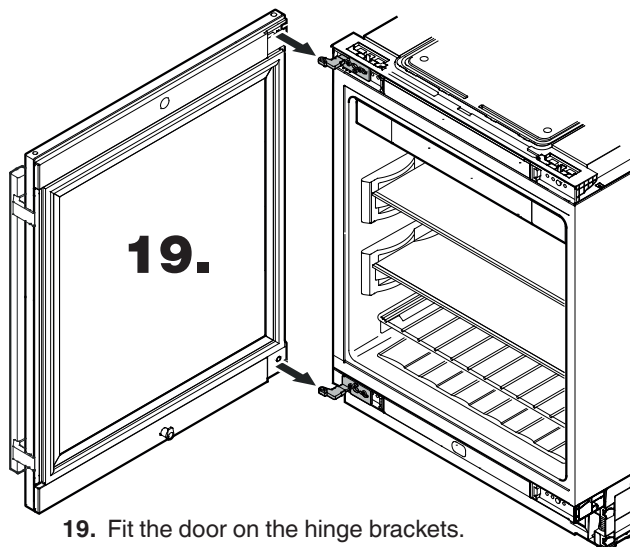
17.

17. Screw in the hinge bracket (from bottom right) at the top left.



18.

18. Screw in the hinge bracket (from top right) at the bottom left.

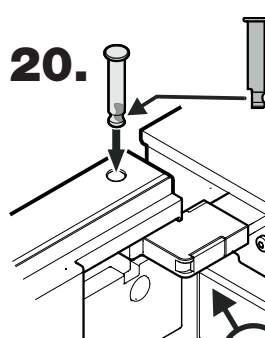


19.

19. Fit the door on the hinge brackets.

Important

The door must now be held secure by somebody.

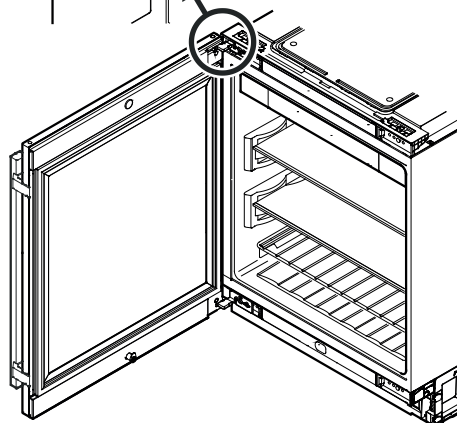


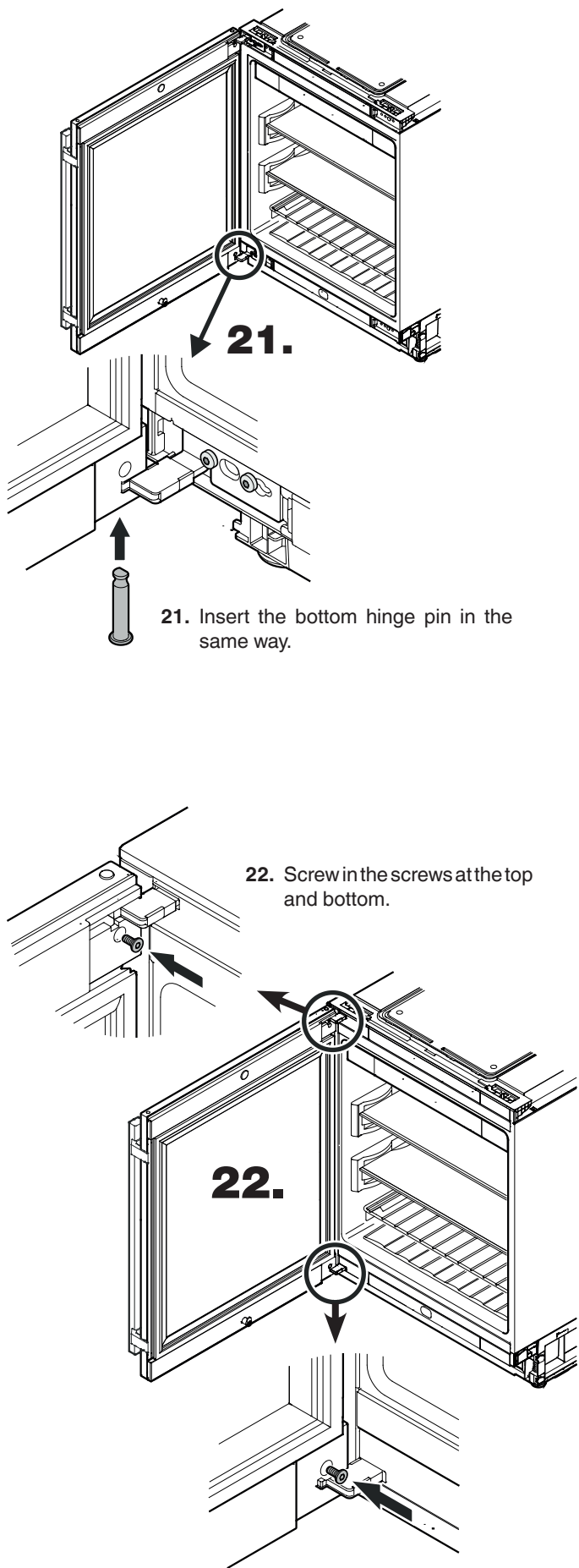
20.

20. Insert hinge pin.

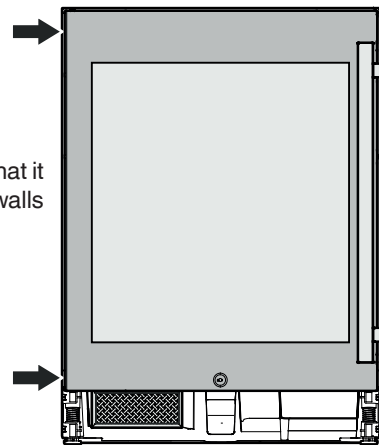
The door must be open 90°. Insert the hinge pin with the flat part facing the appliance.

The hinge pin must be full inserted in the borehole and must not protrude at the top.





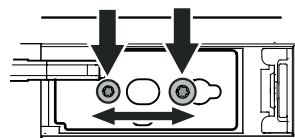
23.



23. Close door and check that it is aligned with the side walls of the appliance.

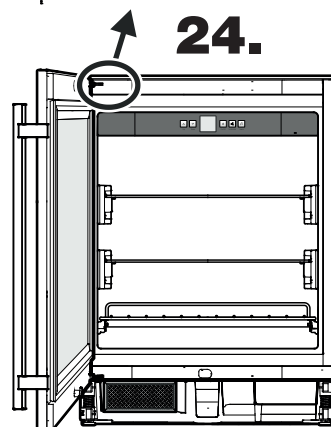
Adjusting the lateral tilt of the door

If the door is at an angle, adjust the angle.

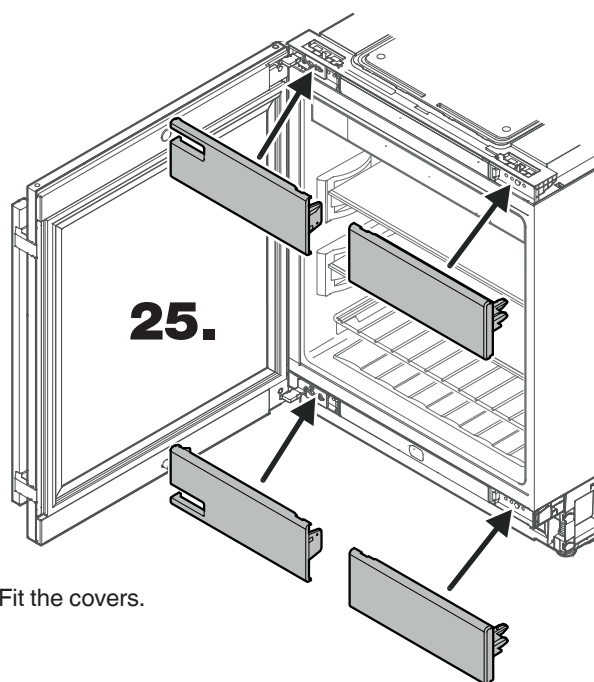


24. Undo screws and slide hinge bracket to the right or left. Tighten screws.

24.



25.



25. Fit the covers.



Liebherr Hausgeräte Lienz GmbH

Dr.-Hans-Liebherr-Strasse 1

A-9900 Lienz

Österreich

www.liebherr.com

