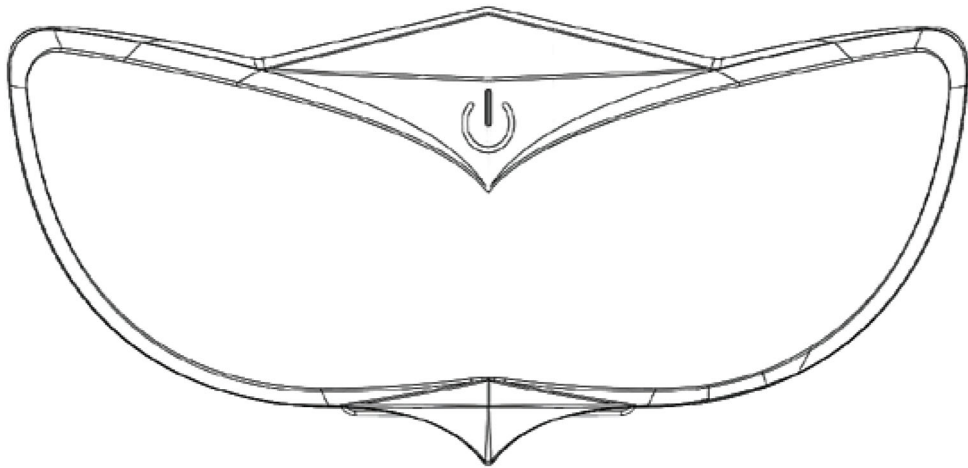


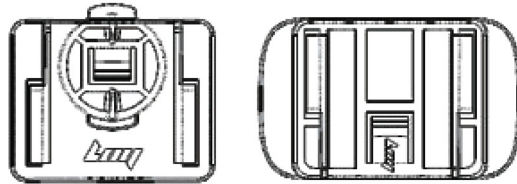
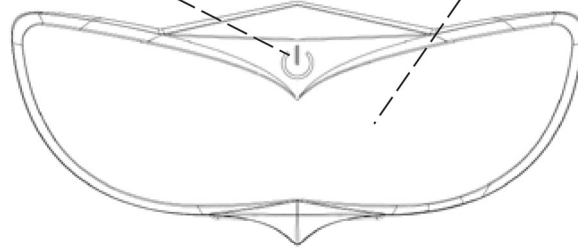
Multifunctional Smart Tail Light B3



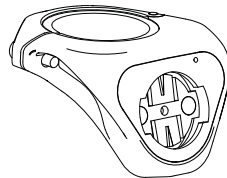
Product User Manual

1. Component Diagram

Function Button LED Display



Bicycle Adapter Helmet Adapter

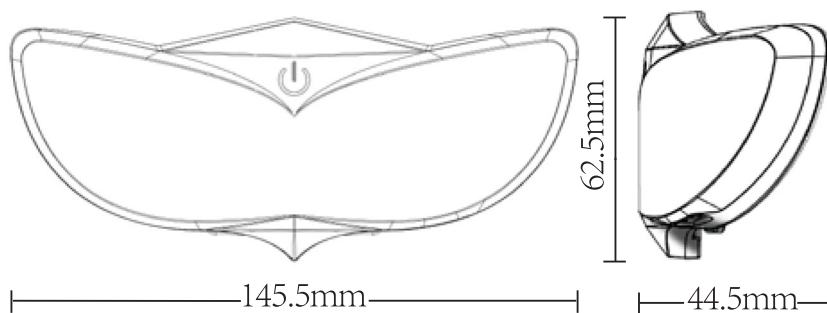


Packing List

Bracket Base

Smart Tail Light · B3*1 / Data Cable*1 / Instruction Manual*1/Wrench*1/Bracket Base*1/Helmet Adapter*1
Bicycle Adapter*1

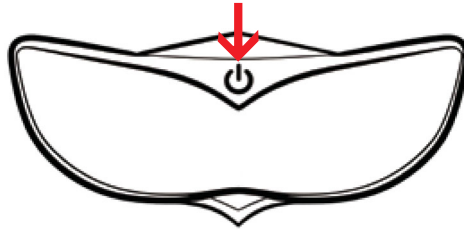
2. Product Specifications



LED Screen Resolution	48*15	Battery Capacity	600mAh
LED Light	Full Color	Voltage	3.7-5V
Connection Method	Bluetooth	Power Port	Type-C

3.Button Functions

- 1.Press and hold for 3 seconds to power on/off.
The device will not wake up automatically after being powered off.*
- 2.Single-click to switch programs when the device is on.*
- 3.Double-click to display the battery level when the device is on.*



4. Install the "LOY" APP

- 1.Download the "LOY" app installation package and install it on your mobile phone.*



LOY



Scan this QR code to download the software.

5.Function Introduction

- 1.Please scan the QR code below to watch the operation video.*
- 2.The video will intuitively demonstrate core operation processes such as Bluetooth connection, installation methods, and function mode switching of the product.*
- 3.It will also present usage methods and precautions in different scenarios.*



FCC Warning:

This equipment has been tested and found to comply with the limits for a Class B digital device, pursuant to part 15 of the FCC Rules. These limits are designed to provide reasonable protection against harmful interference in a residential installation. This equipment generates, uses and can radiate radio frequency energy and, if not installed and used in accordance with the instructions, may cause harmful interference to radio communications. However, there is no guarantee that interference will not occur in a particular installation. If this equipment does cause harmful interference to radio or television reception, which can be determined by turning the equipment off and on, the user is encouraged to try to correct the interference by one or more of the following measures:

- Reorient or relocate the receiving antenna.
- Increase the separation between the equipment and receiver.
- Connect the equipment into an outlet on a circuit different from that to which the receiver is connected.
- Consult the dealer or an experienced radio/TV technician for help.

Caution: Any changes or modifications to this device not explicitly approved by manufacturer could void your authority to operate this equipment.

This device complies with part 15 of the FCC Rules. Operation is subject to the following two conditions:

(1) This device may not cause harmful interference, and (2) this device must accept any interference received, including interference that may cause undesired operation.

This equipment complies with FCC radiation exposure limits set forth for an uncontrolled environment. This equipment should be installed and operated with minimum distance 0cm between the radiator and your body.