

BLAZE
BY SONANCE

CiX6-V
Loudspeaker
Installation Manual

CiX6-V BLK/CiX6-V WHT

Ci series

Table of contents

Introduction	3
Getting started	4
Installation	5
Cables	7
Operation	7
Specifications	9

Introduction

Congratulations on your new Ci loudspeaker system from Blaze Audio.

The Ci series is a feature-packed range of loudspeakers designed for use in a large variety of applications. Emphasis is placed on discreet modern design, ease of installation, wide and uniform coverage and excellent sound quality without the use of electronic signal processing.

Included in the box:

One speaker

Two mounting brackets

Mounting screws

Mounting template

Safety letter

The series offers a dispersion of 100 degrees vertically and 100 degrees horizontally. It features a coaxial driver that includes a 6.5-inch woofer and a 1-inch compression driver. The patented 90° triangular ABS cabinet with built-in mounting sliders not only fits perfectly into vertical and horizontal corners without showing visible brackets, but also offers a variety of unique placement options.

For enhanced bass performance, the Ci series can be teamed indoors with our C8S and C12S subwoofers.

Getting started

Connections.

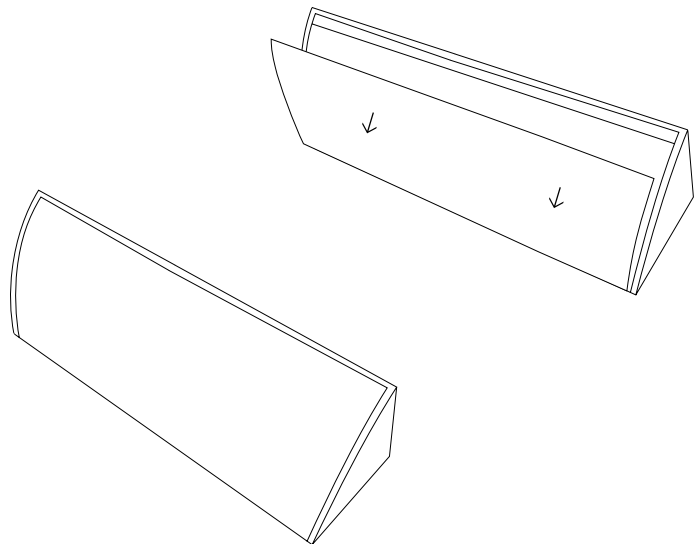
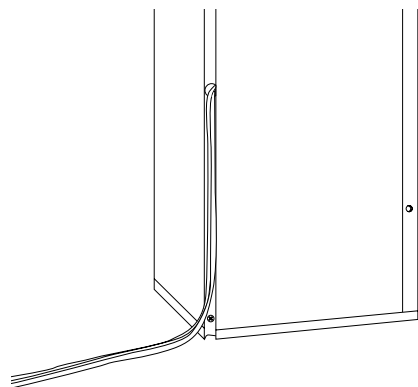
The Ci models are fitted with a screw terminal on the front baffle. The CiX6-V features an oval cable port (13 mm x 22 mm), with contacts supporting wire sizes up to 4 sq. mm.

Important: Always connect the positive output (+) to the positive speaker terminal input and the negative amplifier output (-) to the negative speaker input. If reversed, the stereo imaging will be blurred, and the bass output will be dramatically reduced.

How to connect the cables.

It is important that you run the speaker cables through the port BEFORE mounting your new Blaze Audio speakers! The speakers are equipped with discreet cable terminals placed on the front baffle behind the front cover – and it is not possible to run the cables to the terminals once the speakers have been installed.

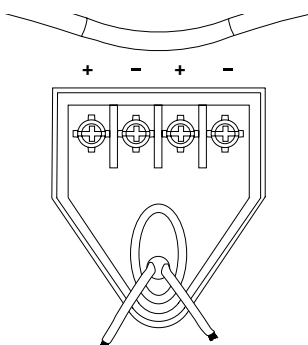
- ① Make sure the amplifier is turned off.
- ② Remove the front cover to access the cable terminal: Push the cover from the side of the cabinet to squeeze it out the groove.



- ③ Run the speaker cable through the tube positioned at the rear of the cabinet to the terminal at the front baffle.

*Note that it is easier to install the speaker first and mount the cable to the terminal after the speaker is mounted to the wall.

Oval cable port dimensions: 13 x 22 mm



- ④ If you use the sliders, you can mount the speaker cables to the terminal at this point. If you use the mounting points, it is easier to install the speaker first and mount the cable to the terminal after the speaker is mounted to the wall.

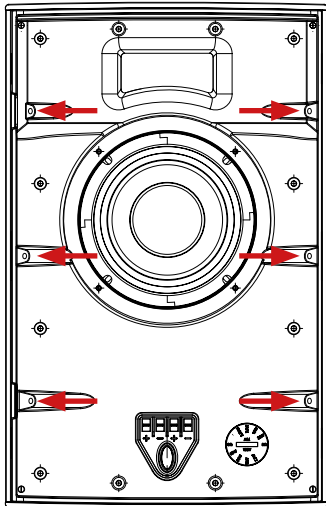
Installation

The Ci series can be mounted either in corners, on wall and ceilings with the integrated mounting points or the slider bars.

Please make sure that the wall or ceiling is solid and can support the weight of the speaker before installing. Also, make sure that you comply with all local health and safety regulations. (See the Safety Letter included in the packaging.) The sliders allow the products to be installed easily by one person.

Vertical or horizontal installation in corners.

If you prefer to mount the speaker in a corner, you should:



- ① Remove the front cover and you'll see the mounting holes in the left and right hand side of the cabinet.
- ② Place the mounting template in desired position and mark drilling positions by shading through the six mounting holes.

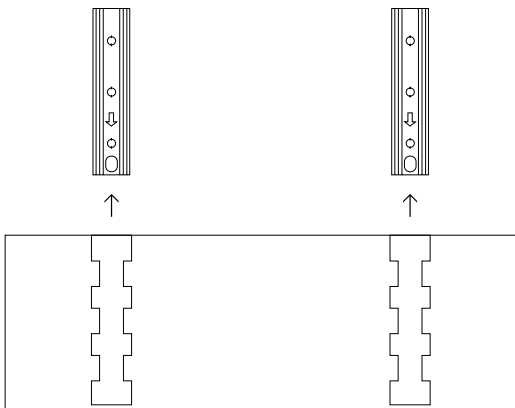
- Drill holes in the wall using 4 mm rawl plugs and the enclosed 3,5 mm flat head screws.
- Reposition the speakers in desired position and mount the screws.

Mounting in corners that are not exactly 90 degrees:

- If the corner is less than 90 degrees, simply place the speaker cabinet as deep in the corner as possible and use all mounting points. This will leave a little space behind the cabinet and the walls, but the speakers will still appear with a nice finish in the corner.
- If the corner is more than 90 degrees, we recommend mounting only one of the sides of the speaker cabinet onto the wall – and leave some air behind the other side of the cabinet. This will not be visible from the front, and the speakers will still present themselves with a nice finish.

If the wall or ceiling is soft, or if you want to mount the speakers on the wall or ceiling away from the corner.

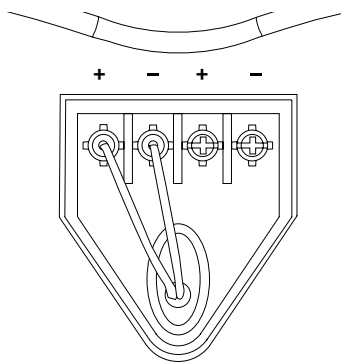
Slide the speaker onto the sliders.



- Mount the sliders to the wall or ceiling using the provided template. Ensure the arrow on the slider points towards the front of the speaker.
- Remove the front cover to access the cable terminal: Push the cover from the side of the cabinet to squeeze it out the groove.
- Run cable through rear hole and connect to front panel terminals, slide the speaker onto the brackets.
- Finally fix the speaker to the wall or ceiling by screwing through the cabinet and slider into the wall or ceiling, using the upper and lower mounting points.

***Note**

The cable needs to be ran through the rear before it is fixed to wall or sliders.



Connect the positive (+) and negative (-) speaker cable to the left + and right - screw terminals. Use the right + - terminals to link to another speaker.

Unlike other models in our Ci series, coupling or suspending the CiX6-V isn't recommended due to its size and weight.

Cables

Speaker cables present the amplifier with different loads. Cables with high capacitance, high inductance and high impedance have a strong negative influence on sound quality as well as amplifier reliability. In order to get the most out of the speaker system, avoid using thin speaker cables.

As a rule of thumb, 2 mm² (14 AWG) cable can be used for lengths up to 20 meters at 8 ohms. 4 mm² (11 AWG) cable should be used for lengths over 20 meters.

To minimize power loss and response variations, please refer to the following table for guidance, showing the maximum recommended cable length relative to impedance and cable thickness:

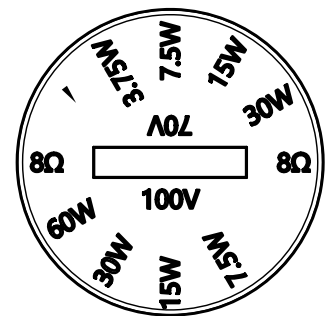
Operation

Mode selection.

CiX6-V can be driven in 8 ohm or 70 V or 100 V mode.

The input tap selection switch is placed behind the grille. On CiX6-V the taps are 3,75, 7,5, 15 and 30 W output in 70 V mode and 7,5, 15, 30 and 60 W output in 100 V mode.

The rotary switch is operated with a flat-head #7 screw driver.



Outdoor mounting.

The CiX6-V is IP55 rated, so they can be placed outside. (See the Safety Letter included in the packaging.) If installed outdoors, the insulation of the cabling should be resistant to water as well as the effects of temperature and ultraviolet radiation from the sun. Recommended insulations are: UV stabilized polyethylene, neoprene, Teflon™, Silicon™, and Hypalon™.

The following materials are not recommended, because of potentially shorter life expectancy in outdoor environments: rubber, PVC (polyvinylchloride), polypropylene, polyurethane, and nylon. UV-stabilized polypropylene may be acceptable.

Safety wire.

In installation terms, the top-boxes are as much brackets as they are speakers, because they mount flush to the walls and ceilings, so no safety wire is needed (just like on traditional speaker installations, you don't use a safety wire from a bracket to the wall).

Speaker presets.

Recommended loudspeaker presets are available at blaze-audio.com/support and are designed for use with Blaze Audio's PowerZone™ Connect DSP-enabled amplifier series.

Recommended amplifier.

We recommend using Blaze Audio's PowerZone™ Connect DSP-enabled amplifiers with power ratings that exceed the loudspeakers' power handling capacity (see specifications). As with all loudspeaker systems, power handling depends on the quality and size of the amplifier. If the amplifier is overdriven and runs into clipping, the drivers can be damaged, even if the amplifier's output is lower than the speaker's power handling capacity. When selecting an amplifier, keep in mind that a higher power amplifier operating without distortion will typically sound better and cause less damage to the loudspeaker than a lower power amplifier that is constantly clipping.

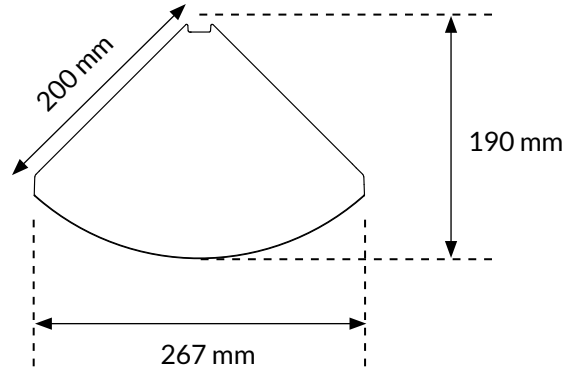
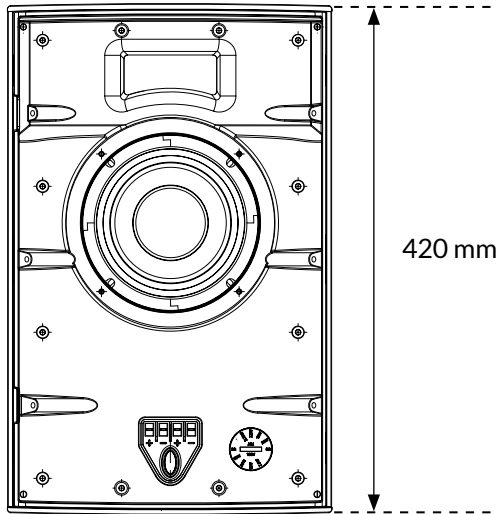
Warranty.

For warranty information, please refer to your local Blaze Audio distributor or dealer, or contact us directly.

Service.

Spare parts for your Blaze Audio speakers are available through your local Blaze Audio distributor or dealer. Please contact us directly, in case you are not able to source spare parts locally.

Specifications



Sensitivity SPL / 1W @ 1m:	92 dB
Maximum SPL, Long Term:	114 dB
Maximum SPL, Peak:	120 dB
Frequency response:	65-20.000 Hz
Nominal impedance:	8 Ω
Dispersion:	100° vertical / 100° horizontal
Ingress Protection:	IP55
Recommended Amplifier:	100-200 W
Ci5-V transformer taps:	70 V: 3.75, 7.5, 15, 30 W 100 V: 7.5, 15, 30, 60 W
Measurements:	420 x 267 x 190 mm (16.54 x 10.52 x 7.48 in)
Weight:	5.3 kg (11.7 lb)
Colour:	White (RAL9016) Black (RAL9005)