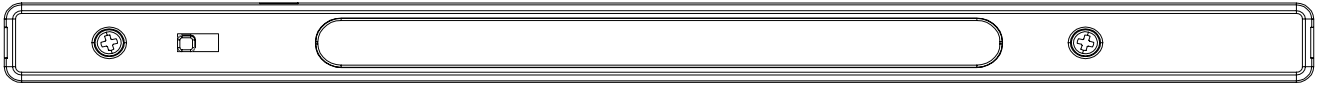
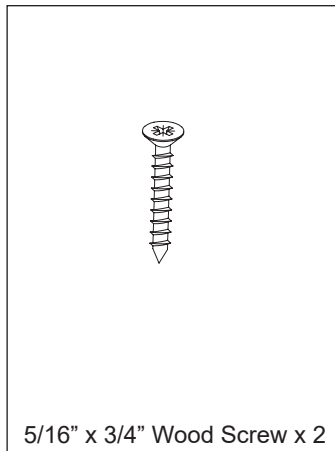
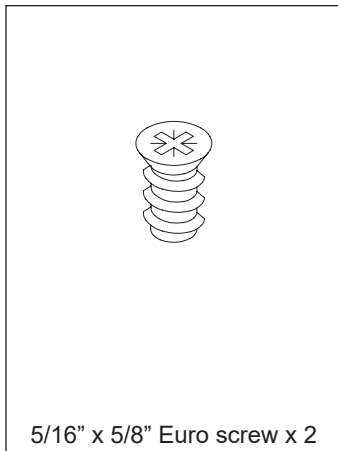
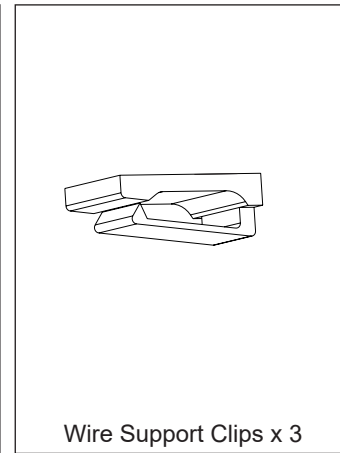
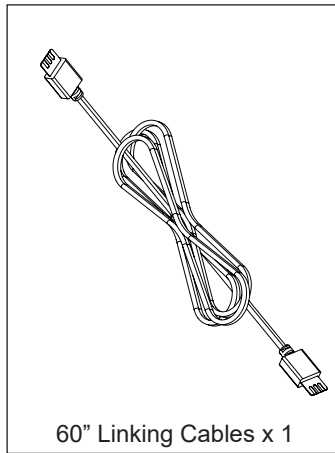
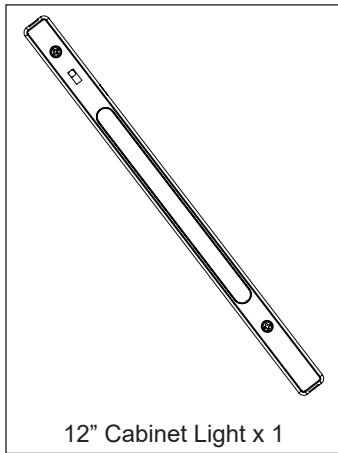


# LED DRAWER LIGHT

Instructions for SKU Number: 346-0642



Includes:



**KLĚARVŮE®**  
**CABINETRY**

To find all KlĚarvue Cabinetry installation instructions and installation videos, visit [www.klearvuecabinetry.com](http://www.klearvuecabinetry.com).

**WARNING:** These products may represent a possible shock or fire hazard if improperly installed or attached in any way. Products should be installed in accordance with these instructions, current electrical codes, and/or the current National Electric Code (NEC). Disconnect power to the unit prior to installation.

**WARNING: To reduce risk of fire, electric shock, or injury to persons,**

- Read all installation instructions before beginning. If you have any doubts about how to install this lighting fixture, or if the fixture fails to operate completely, consult a qualified electrician to ensure correct branch circuit conductor.
- This product must be installed in accordance with the applicable installation code by a person familiar with the construction and operation of the product and the hazards involved.
- To reduce the risk of fire, electric shock or injury to persons, do not make or alter any open holes in a wiring enclosure nor in any electrical components during kit installation.
- To prevent wiring damage or abrasion, do not expose wiring to edges of sheet metal or other sharp objects.
- There are no serviceable parts inside the fixture.
- Suitable for dry locations.
- The installer must determine that supply power is 120V AC at the luminaire before installation.
- Cords should be visually examined periodically and immediately replace when any damage is noted.
- To avoid electrical shock, do not operate fixture with missing or damaged lens.
- LEDs emit bright light. Avoid looking directly at the light source.
- This product is not suitable for use in dimming circuits.
- Use only with intended power adapter KLĚARVŮE® 346-0641 sold separately.

**SAVE THESE INSTRUCTIONS.** For safest operation, read and become familiar with complete installation instructions prior to use. Pay close attention to this manual and stay within its guidelines when using this product.

**CAUTION:** All parts must be used as indicated in this manual. Do not substitute any parts, leave parts out, or use parts that are worn out or broken. Failure to obey this instruction could invalidate any safety certification.



**Important: Please read before you begin your drawer installation.**

**Take note of your cabinet configuration.**

- This fixture is intended to be used with KLĚARVŮE® Cabinetry.
- Power adapter is not included with each drawer light fixture. Power adapter must be purchased separately (KLĚARVŮE® 346-0641).
- When installing more than one drawer light (up to 6), use the 6-port linking accessory (included with KLĚARVŮE® 346-064, sold separately).

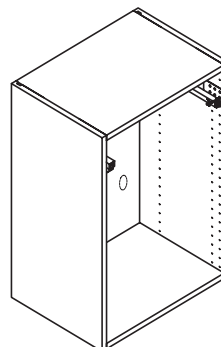
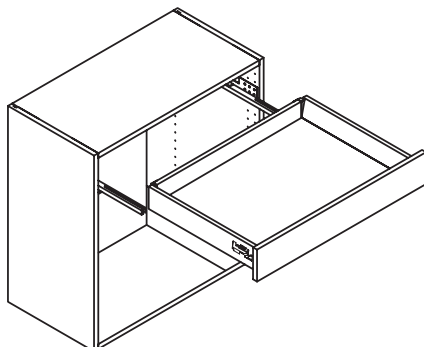
## DRAWER LIGHT INSTALLATION

### STEP 1:

- Assess the locations of each drawer and the desired location for each drawer light. Ensure there is enough space for the drawer to open and close as intended.
- Assess whether the mounting holes on the fixture align with the pre-drilled holes within the cabinet housing.
- Assess the distance from the cabinet light to a power receptacle and whether the power adapter and/or linking accessories (KLĚARVŮE® 346-0641) can reach without strain.
- Assess where wire support clips can be best positioned to guide power adapter wire away from drawer slide.

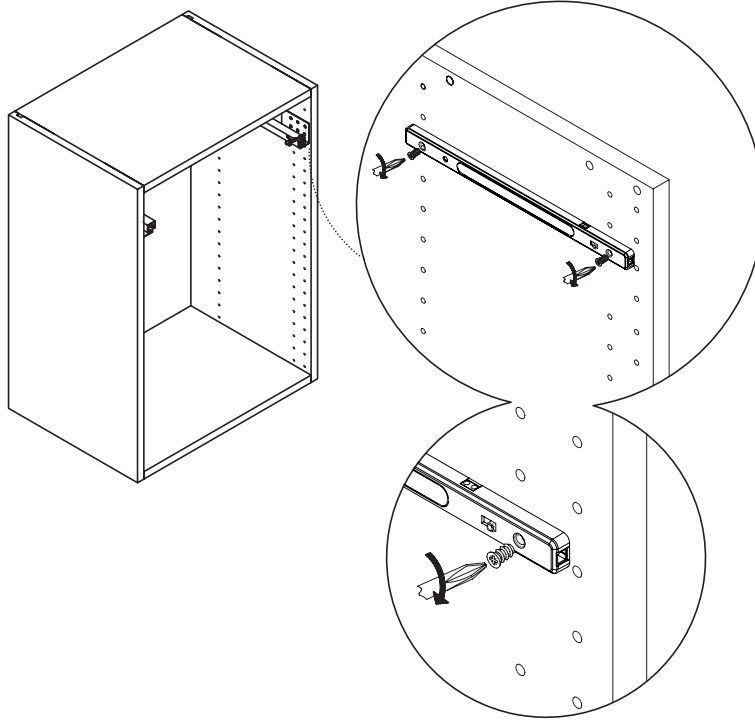
### STEP 2:

- If mounting holes on the fixture do not align with the pre-drilled holes within the cabinet housing, mark the location of necessary holes and pre-drill starter holes.
- Drill a hole in the back of the cabinet housing to enable routing the power adapter (KLĚARVŮE® 346-0641) to the power receptacle.



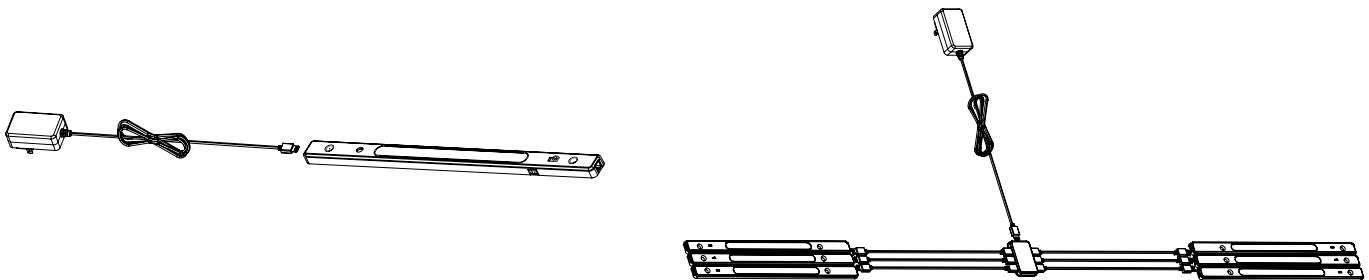
**STEP 3:**

- Using suitable hardware (5/16" x 5/8" Euro screw for existing holes or 5/16" x 3/4" Wood Screw for holes drilled in Step 2), mount the drawer light to the inside of the cabinet. Ensure the attached proximity sensor is facing outward.



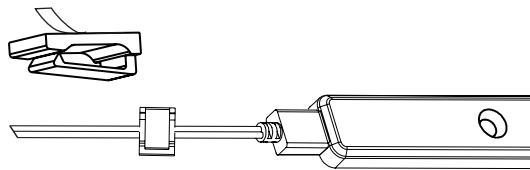
**STEP 4:**

- Route the power adapter (KLĚARVŮE® 346-0641) cable through the hole that was drilled into the back of the cabinet housing during Step 2, then attach it to the drawer light fixture.
- If using more than one fixture, attach each drawer light fixture to the 6-port linking accessory (included with KLĚARVŮE® 346-0641, sold separately) using the 36" linking cables (included with each drawer light fixture). Then, attach the power adapter (KLĚARVŮE® 346-0641) cable to the 6-port linking accessory.



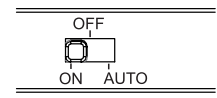
**STEP 5:**

- Use the wire support clips to route the cables away from the drawer's path and affix the clips to the cabinet housing so as not to impede the drawer from opening or closing.
- If using the 6-port linking accessory (included with KLĚARVŮE® 346-0641, sold separately), use the strip of 3M tape to affix the housing to the side of the cabinet in such a way that it does not impede the drawer from opening or closing.



**STEP 6:**

- Use the switch at the front of the drawer light fixture to set control options:  
ON = Steady on  
OFF = Steady off  
AUTO = When drawer is shut, the light will turn off. When drawer is open, the light will turn on.



---

## CARE & MAINTENANCE

- Use only a mild soap and/or water with a soft cloth to clean the fixture. Harsh chemicals will damage the fixture. Do not wipe the fixture with a rough cloth that may scratch the finish or the lens.
- LEDs are not serviceable. Do not attempt to open or service LEDs.

---

## TROUBLESHOOTING

- The light does not come on at all:
  - a) With power supply turned off, ensure all connections are made correctly.
  - b) Make sure the circuit breaker is on and that switch controlling branch circuit is on.

If one of these fix this issue, please consult a certified electrician.

---

## WARRANTY

If, during normal use, this KLĚARVŪE® lighting fixture breaks or fails due to a defect in material and workmanship within five (5) years from the date of original purchase, simply bring this lighting fixture with your original sales receipt back to your nearest MENARDS® retail store. At its discretion, KLĚARVŪE® agrees to have the product or any defective part(s) repaired or replaced with the same or similar PKLĚARVŪE® product free of charge, within the stated warranty period, when returned by the original purchaser with original sales receipt. This warranty; (1) excludes expendable parts including but not limited to light bulbs; (2) does not cover damage that has resulted from abuse or misuse; and (3) does not cover any losses, labor, injuries to persons/property or costs. This warranty does give you specific legal rights and you may have other rights, which vary from state to state.



Questions, problems, missing parts?  
Before returning to your retailer, call our customer service at  
1-844-255-9692 Monday – Friday 8:00 a.m. – 5:00 p.m. CST