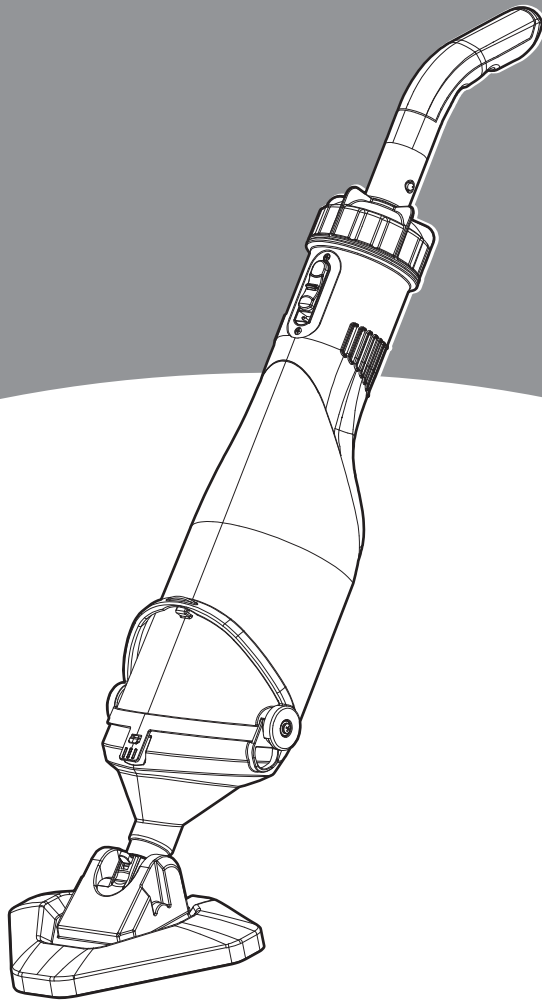


VIVOHOME

# HOW-TO

USER MANUAL



**Handheld Pool Vacuum**

**Assembly is EASY!**

**WE WANT  
YOU TO  
ENJOY LIFE  
AT HOME**

GO TO THE PRODUCT LISTING PAGE  
FOR AN INSTRUCTIONAL VIDEO!

# CONTENTS

|                                      |    |
|--------------------------------------|----|
| <b>Introduction and Safety</b> ..... | 1  |
| <b>Operation</b> .....               | 3  |
| <b>Commissioning</b> .....           | 5  |
| <b>Maintenance</b> .....             | 9  |
| <b>Technical Data</b> .....          | 10 |
| <b>Warranty</b> .....                | 11 |



## SAFETY INFORMATION

1. Please read the instructions for use carefully and observe the information they contain. By referring to these instructions, familiarize yourself with the appliance, learn how to use it correctly, and note the safety precautions to be taken.
2. Take the appropriate steps to ensure that children have no access to the appliance.
3. The user of the appliance is responsible for any third parties in the work area.
4. Before using the appliance for the first time, an electrician must ensure that the necessary electrical protection measures have been taken.

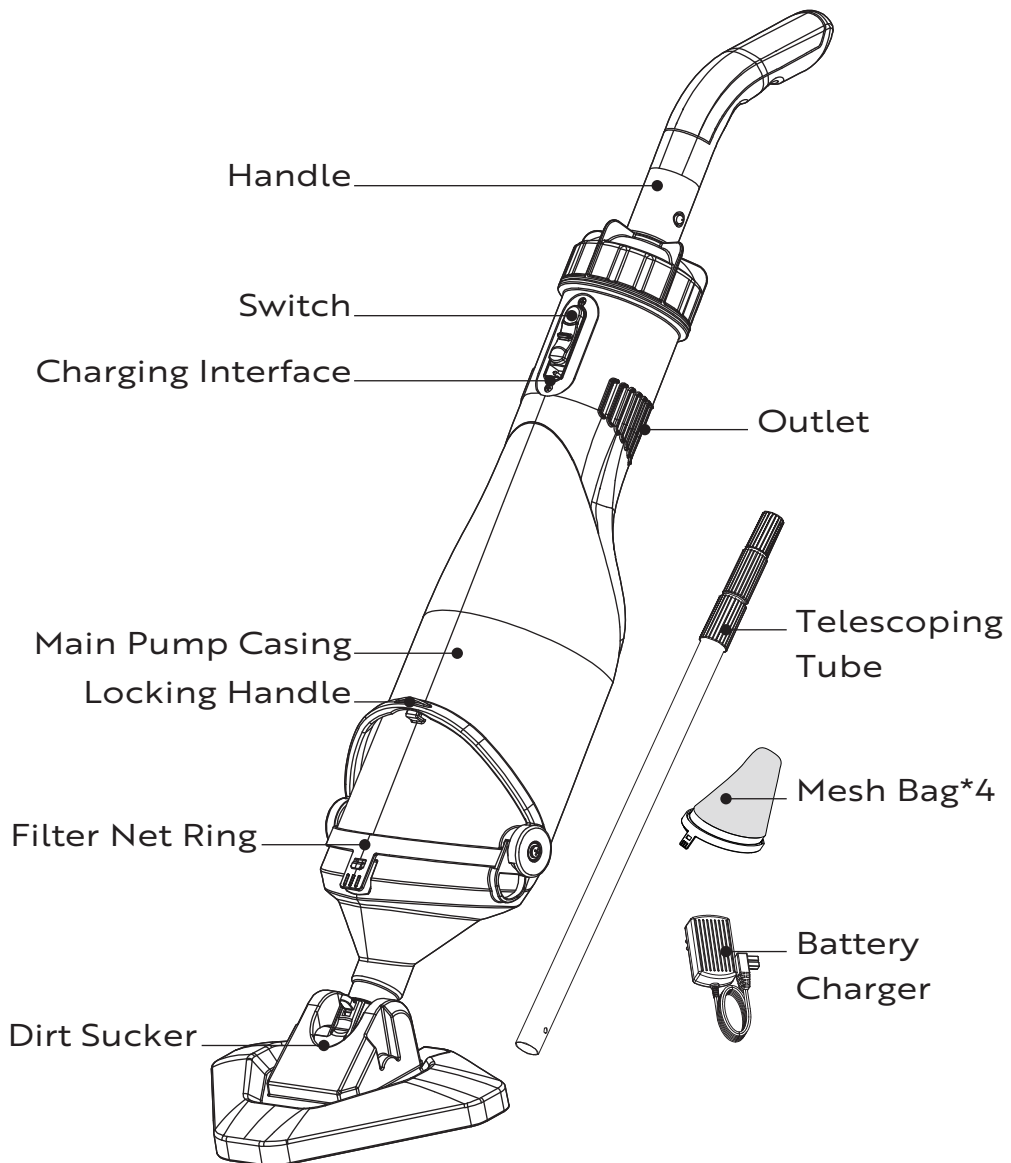
## CAUTION!

1. The Pool Cleaner must not be used when people are in the water.
2. This appliance can be used by children aged 8 years and above and by persons with reduced physical, sensory, or mental capabilities, if they have been given supervision and instruction concerning safe use and understand the hazards involved. Children should not play with the appliance. Cleaning or user maintenance should not be done without supervision.
3. If the equipment is damaged, it must be replaced by VIVOHOME, or repaired by qualified persons in order to avoid a hazard.

4. Use the appliance only for the purposes specified in these instructions for use.
5. You are responsible for safety in the work area.
6. When charging, ensure that appliance is plugged into a socket in a place where there is no risk of flooding and which is protected against moisture.
7. The operator is responsible for any local safety and installation regulations. (Ask your electrician for advice.)
8. If the Pool Cleaner fails, any repair work necessary must be performed only by an electrician.
9. Never let the appliance run dry and never operate it with fully closed intake power. The manufacture's warranty shall lapse if the pump is damaged due to it being allowed to run dry.
10. Water temperature range: 4° C (39.2° F)-35° C (95° F).
11. Please turn off the cleaner before charging.
12. To avoid unnecessary harm, hairs, body, or clothes should keep away from the dirt sucker, because it has a suction force when it works.
13. Do not dismantle the cleaner arbitrarily.
14. Please use the original charger to charge the cleaner.
15. Please place the cleaner indoors in a well-ventilated, clean, and dry condition when charging.
16. If there is any damage to the charger, please stop charging.
17. If there is any damage to the power cord, it must be replaced by the manufacturer or authorized personnel to avoid dangers.
18. Please ensure that the cleaner and charger are dry before charging.
19. The cleaner is specially designed for the underwater environment, rather than a universal cleaner.
20. Please avoid using the cleaner to clean sharp objects; otherwise, the cleaner and filter net will be damaged.



## DESCRIPTION



**VH1351**



Remark: The image shown here is indicative only. If there is any inconsistency between the image and the actual product, the actual product shall govern.

## **DURABILITY**

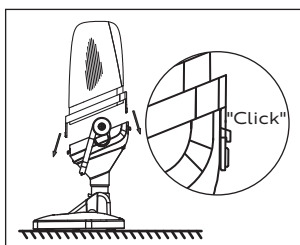
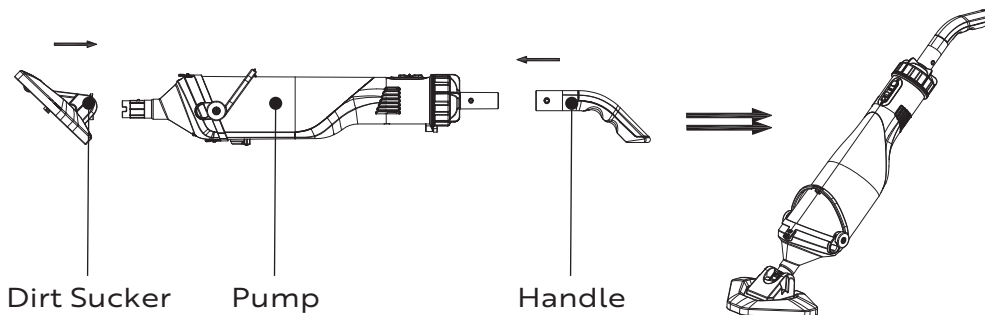
1. The maximum temperature of the medium to be pumped in continuous operation should not exceed +35°C (95°F).
2. This pool cleaner is not to be used to clean combustible, gaseous or explosive fluids.

## **APPLICATIONS**

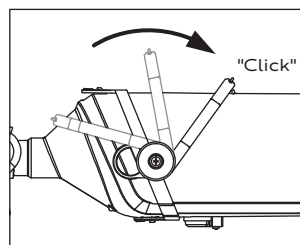
1. Scope of Application:  
Small-scale swimming pool, fishpond, bathing pool, and landscaped pool.
2. Medium:  
Swimming pool water, clear water, and rain.

## **OPERATION INSTRUCTIONS**

To assemble a complete machine, the handle and dirt sucker should be installed into the pump in order as the figure shows.

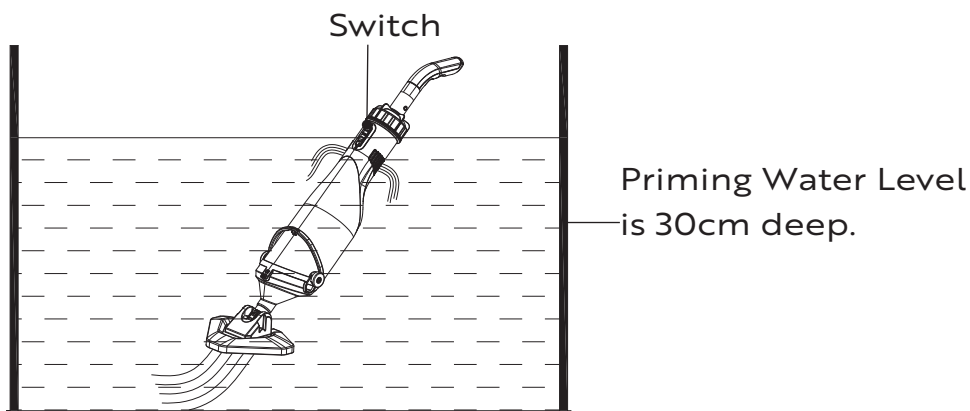


Mesh Bag Installation

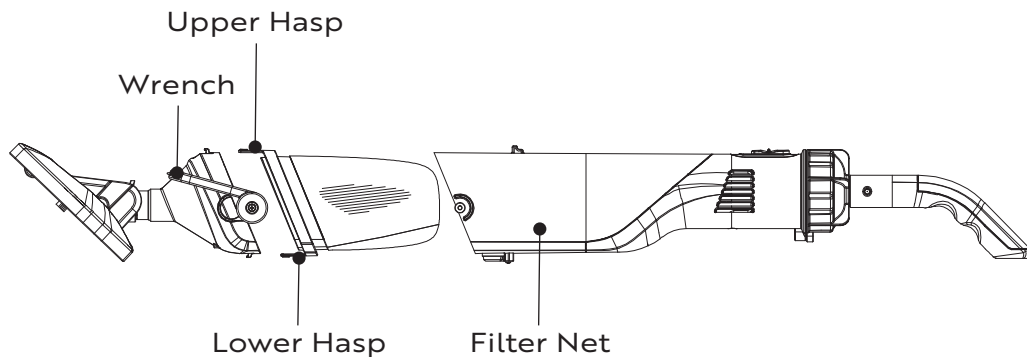


Snapping the Locking Handle

Push down the switch to turn on the cleaner. The distance between the priming water level and the horizontal surface should be 30cm.

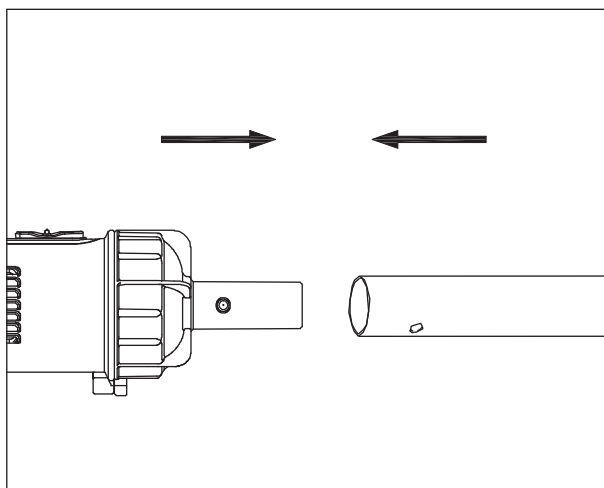


When cleaning the filter net, please open the locking handle and the upper and lower hasps attached to the filter net. Take out the waste from the filter net and rinse it.



## INSTALLING THE TELESCOPING TUBE

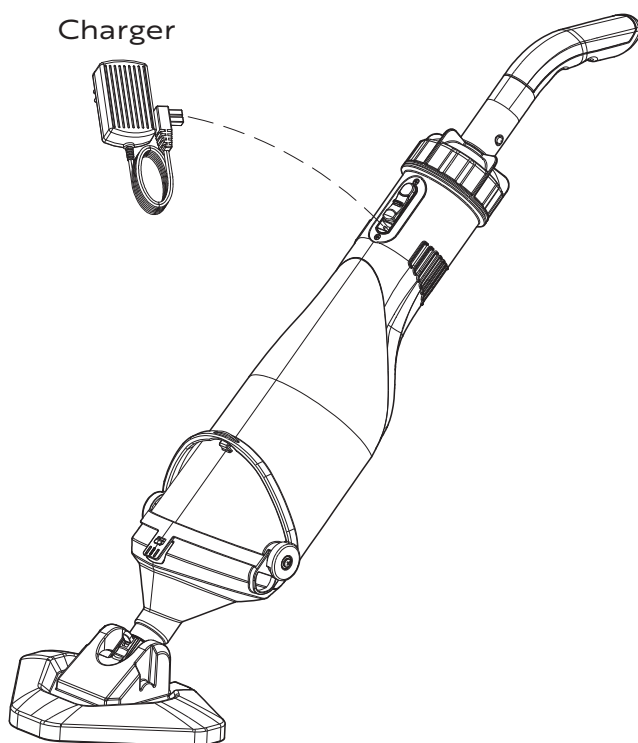
Attach the telescoping tube by squeezing the spring buttons and inserting it into handle of the pool cleaner body. Ensure the buttons pop into the holes. Adjust the length of the shaft by unlocking, extending and locking each section accordingly.



**CAUTION!** Do not overextend and vigorously stretch telescoping tube when adjusting the length to avoid damage.



Connect the charger with the cleaner as the figure shows. The specification of the charger: Input 100-240V, 50/60Hz, 0.8A; Output 21V-1.5A. During the charging process, if the indicator light turns red, it means the battery is charging; if the indicator light turns green, it means the cleaner is fully charged. Before the first use, please charge the cleaner for 1.5 hours. After being fully charged, the cleaner can work for 50-60 minutes.



## TROUBLESHOOTING GUIDE

Warning: To avoid dangers, all the installation including repair and replacement of components should be conducted by authorized service personnel. Before operating the cleaner, please turn off the device and unplug it.



| Problem                                | Reasons                          | Solutions  |
|--|----------------------------------|--|
| Fail to clean the waste                | The battery runs out             | Recharge the cleaner, and it can work for 50-60 minutes after being fully charged.   |
|  | The impeller is damaged          | Correspond with VIVOHOME to repair or replace the impeller.  |
|  | The impeller is blocked          | Turn off the cleaner and check the impeller. Please correspond with professional personnel to clean the blockage in the impeller.                                  |
|  | The filter bag is full           | Clean the waste in the filter bag.   |
| Waste gets out from the front parts    | Check Valve is damaged           | Change the check valve.  |
| Waste gets out from the filter net     | The filter net is damaged        | Change the filter net.   |
| Handle/extension pole fails to connect | The connective V-Cord is damaged | Change the V-Cord.   |
| Cleaner fails to be charged            | The battery is damaged           | Correspond with VIVOHOME to replace the battery. Warning! To avoid damaging the cleaner, please purchase the original lithium battery to replace.                  |
|  | The charger is damaged           | Correspond with VIVOHOME to replace the charger. Warning! To avoid damaging the cleaner caused by the charger, please purchase the original charger to replace it. |



## MAINTENANCE INSTRUCTIONS

1. The pool cleaner is basically maintenance free. To ensure a long service life, we recommend regular checks and care.
2. Warning! Before every servicing, switch off the pool cleaner.
3. If the pool cleaner is not going to be used for a long time or has to be removed for the winter months, rinse it out with water, empty it completely and allow it to dry.
4. If there is a risk of frost, the pool cleaner must be emptied completely.
5. After long stoppages, make sure the rotor turns correctly by briefly switching the pool cleaner on and off.

## DISPOSAL

1. Please do not dispose of power tools that are no longer usable along with your regular household waste. Instead, choose an environmentally friendly method of disposal. If there are recycling facilities available in your area, make sure to utilize them. For advice on recycling, you can consult with your local government authority.
2. Recycling packaging materials helps reduce our reliance on landfills and raw materials. The reuse of recycled materials aids in mitigating environmental pollution. If recycling facilities are accessible in your community, we encourage you to recycle packaging materials. Should you need advice on recycling, you can seek assistance from your local government department.



| <b>Property</b>        | <b>Value</b> |
|------------------------|--------------|
| Power rating           | 40W          |
| Nominal voltage        | DC18V        |
| Battery capacity       | 2AH          |
| Max. flow rate         | 4200L/H      |
| Particulate matter     | <25mm        |
| Max. water temperature | 35°C         |
| Moisture protection    | IPX8         |
| Battery charging time  | 90min        |
| Battery life           | 50-60min     |



# Warranty

The VIVOHOME warranty program is our commitment to you. We are committed to providing you with a high-quality product that meets your needs and expectations. To demonstrate our confidence in the durability and performance of our products, we offer the following warranty.

## WARRANTY COVERAGE

This warranty program applies to any orders, purchases, receipts, or use of any products sold by VIVOHOME and is valid for a period of 1 year from the date of purchase. However, please note that this warranty period is only valid for the original order. If you receive a replacement order during the warranty period, it will not include a separate warranty period.

## WARRANTY EXCLUSIONS

This warranty does not cover damage resulting from misuse, accident, unauthorized modification, or any other circumstances not directly related to the manufacturing and design of the product, including but not limited to:

- Parts lost during use.
- Normal wear and tear of products or parts.
- Incorrect installation (such as using the wrong voltage) or assembly.
- Exceeding the bearing capacity of the product.
- Use under extremely harsh conditions.

- Improper cleaning or maintenance.
- Damage caused by any reason other than the intended use of the product.
- Indirect loss or damage caused by the product.

## **HOW TO MAKE A WARRANTY CLAIM**

If you find any defects that affect the use of the product or if the product stops working and cannot be repaired during the warranty period, please contact our customer service team at our email or via Amazon & app' s direct messaging service as soon as possible. Provide the following information to expedite the process:

- Order number
- Images and/or videos illustrating the issue
- A detailed description of the problem

VIVOHOME will provide technical support, replacement, refund, or other solutions based on the nature of the issue. If you wish to return the original package for any reason, please contact us for confirmation before proceeding. You can expect to receive a response within 48 hours.

Thank you for choosing VIVOHOME. We are committed to ensuring the quality and satisfaction of your purchase. If you have any questions or need assistance, please do not hesitate to contact our customer service team.

VIVOHOME

**THANK  
YOU!**

**NOTE:**

To continuously improve its products, VIVOHOME reserves the right to modify this information without prior notification.

For any questions regarding assembly, please watch the video on the product page or contact our customer service. Our customer service will gladly assist you with any additional questions, comments, or concerns.

Thank you for using VIVOHOME products in your home!

Thank You for Purchasing from

**VIVOHOME**

Made in China