



# HE<sup>2t</sup>

## Front-Loading Automatic Washer

Use & Care Guide

## Lavadora automática de carga frontal

Manual de uso y cuidado

## Laveuse automatique à chargement frontal

Guide d'utilisation et d'entretien

Models/Modelos/Modèles **110.4756\***, **4757\***

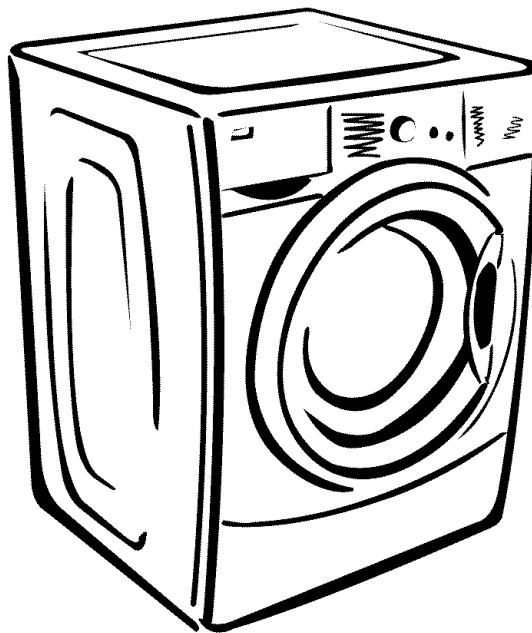
\* = color number, número de color, numéro de couleur



Designed to use only  
HE High Efficiency Detergent

Diseñado para utilizar solamente  
detergente de alto rendimiento

Conçu pour l'utilisation d'un détergent  
haute efficacité seulement



ENGLISH ESPAÑOL FRANÇAIS

W10117770A

Sears Roebuck and Co., Hoffman Estates, IL 60179, U.S.A.  
Sears Canada Inc., Toronto, Ontario, Canada M5B 2B8

[www.sears.com](http://www.sears.com)  
[www.sears.ca](http://www.sears.ca)

# TABLE OF CONTENTS

PROTECTION AGREEMENTS.....	2
WARRANTY.....	3
WASHER SAFETY .....	4
INSTALLATION REQUIREMENTS .....	5
Tools and Parts .....	5
Options .....	5
Location Requirements .....	6
Drain System .....	7
Electrical Requirements.....	8
INSTALLATION INSTRUCTIONS .....	9
Remove Transport System.....	9
Connect the Inlet Hoses.....	9
Route the Drain Hose .....	10
Secure the Drain Hose .....	10
Level the Washer.....	11
Complete Installation.....	11
FEATURES AND BENEFITS .....	12
WASHER USE .....	13
Starting Your Washer .....	13
Using the Proper Detergent .....	13
Using the Dispenser .....	14
Pausing or Restarting .....	15
Changing Cycles, Options and Modifiers .....	15
Status Lights.....	15
Cycles .....	16
Normal Sounds.....	17
Options .....	17
Modifiers .....	18
Laundry Guide .....	19
LAUNDRY TIPS.....	20
Loading .....	20
Stain Removal Guide.....	21
WASHER CARE .....	22
Cleaning Your Washer.....	22
Water Inlet Hoses .....	23
Vacation, Storage, and Moving Care .....	23
TROUBLESHOOTING.....	24
Washer and Components .....	24
Washer Operation.....	25
Clothes Care.....	27
SERVICE NUMBERS .....	BACK COVER

# PROTECTION AGREEMENTS

## Master Protection Agreements

*Congratulations on making a smart purchase.* Your new Kenmore® product is designed and manufactured for years of dependable operation. But like all products, it may require preventive maintenance or repair from time to time. That's when having a Master Protection Agreement can save you money and aggravation.

The Master Protection Agreement also helps extend the life of your new product. Here's what the Agreement\* includes:

- ✓ **Parts and labor** needed to help keep products operating properly **under normal use**, not just defects. Our coverage goes **well beyond the product warranty**. No deductibles, no functional failure excluded from coverage— **real protection**.
- ✓ **Expert service** by a force of more than 10,000 authorized **Sears service technicians**, which means someone you can trust will be working on your product.
- ✓ **Unlimited service calls and nationwide service**, as often as you want us, whenever you want us.
- ✓ **“No-lemon” guarantee** – replacement of your covered product if four or more product failures occur within twelve months.
- ✓ **Product replacement** if your covered product can't be fixed.
- ✓ **Annual Preventive Maintenance Check** at your request – no extra charge.
- ✓ **Fast help by phone** – we call it **Rapid Resolution** – phone support from a Sears representative on all products. Think of us as a “talking owner's manual.”
- ✓ **Power surge protection** against electrical damage due to power fluctuations.
- ✓ **\$250 Food Loss Protection** annually for any food spoilage that is the result of mechanical failure of any covered refrigerator or freezer.
- ✓ **Rental reimbursement** if repair of your covered product takes longer than promised.
- ✓ **10% discount** off the regular price of any non-covered repair service and related installed parts.

Once you purchase the Agreement, a simple phone call is all that it takes for you to schedule service. You can call anytime day or night, or schedule a service appointment online.

The Master Protection Agreement is a risk free purchase. If you cancel for any reason during the product warranty period, we will provide a full refund. Or, a prorated refund anytime after the product warranty period expires. Purchase your Master Protection Agreement today!

**Some limitations and exclusions apply. For prices and additional information in the U.S.A. call 1-800-827-6655.**

**\*Coverage in Canada varies on some items. For full details call Sears Canada at 1-800-361-6665.**

## Sears Installation Service

For Sears professional installation of home appliances, garage door openers, water heaters, and other major home items, in the U.S.A. or Canada call **1-800-4-MY-HOME®**.

# KENMORE APPLIANCE AND OPTIONAL PEDESTAL WARRANTY

## ONE YEAR LIMITED WARRANTY

When installed, operated and maintained according to all instructions supplied with the product, if this appliance fails due to a defect in material or workmanship within one year from the date of purchase, call 1-800-4-MY-HOME® to arrange for free repair.

If this appliance is used for other than private family purposes, this warranty applies for only 90 days from the date of purchase.

### **THIS WARRANTY COVERS ONLY DEFECTS IN MATERIAL AND WORKMANSHIP. SEARS WILL NOT PAY FOR:**

1. Expendable items that can wear out from normal use, including but not limited to filters, belts, light bulbs, and bags.
2. A service technician to instruct the user in correct product installation, operation or maintenance.
3. A service technician to clean or maintain this product.
4. Damage to or failure of this product if it is not installed, operated or maintained according to all instructions supplied with the product.
5. Damage to or failure of this product resulting from accident, abuse, misuse or use for other than its intended purpose.
6. Damage to or failure of this product caused by the use of detergents, cleaners, chemicals or utensils other than those recommended in all instructions supplied with the product.
7. Damage to or failure of parts or systems resulting from unauthorized modifications made to this product.

### **DISCLAIMER OF IMPLIED WARRANTIES; LIMITATION OF REMEDIES**

Customer's sole and exclusive remedy under this limited warranty shall be product repair as provided herein. Implied warranties, including warranties of merchantability or fitness for a particular purpose, are limited to one year or the shortest period allowed by law. Sears shall not be liable for incidental or consequential damages. Some states and provinces do not allow the exclusion or limitation of incidental or consequential damages, or limitations on the duration of implied warranties of merchantability or fitness, so these exclusions or limitations may not apply to you.

This warranty applies only while this appliance is used in the United States and Canada.

This warranty gives you specific legal rights, and you may also have other rights which vary from state to state.

**Sears, Roebuck and Co.**  
Dept. 817WA, Hoffman Estates, IL 60179  
**Sears Canada Inc.**  
Toronto, Ontario, Canada M5B 2B8

## PRODUCT RECORD

In the space below, record your complete model number, serial number, and purchase date. You can find this information on the model and serial number label located on the product.

Have this information available to help you obtain assistance or service more quickly whenever you contact Sears concerning your appliance.

**Model number** \_\_\_\_\_

**Serial number** \_\_\_\_\_

**Purchase date** \_\_\_\_\_

**Save these instructions and your sales receipt for future reference.**

## PEDESTAL PRODUCT RECORD

In the space below, record your complete model number, serial number, and purchase date. You can find this information on the model and serial number label located on the product.

Have this information available to help you obtain assistance or service more quickly whenever you contact Sears concerning your pedestal.

**Model number** \_\_\_\_\_

**Serial number** \_\_\_\_\_

**Purchase date** \_\_\_\_\_

**Save these instructions and your sales receipt for future reference.**

ENGLISH

# WASHER SAFETY

## Your safety and the safety of others are very important.

We have provided many important safety messages in this manual and on your appliance. Always read and obey all safety messages.



This is the safety alert symbol.

This symbol alerts you to potential hazards that can kill or hurt you and others.

All safety messages will follow the safety alert symbol and either the word "DANGER" or "WARNING." These words mean:

**⚠ DANGER**

You can be killed or seriously injured if you don't immediately follow instructions.

**⚠ WARNING**

You can be killed or seriously injured if you don't follow instructions.

All safety messages will tell you what the potential hazard is, tell you how to reduce the chance of injury, and tell you what can happen if the instructions are not followed.

## IMPORTANT SAFETY INSTRUCTIONS

**WARNING:** To reduce the risk of fire, electric shock, or injury to persons when using the washer, follow basic precautions, including the following:

- Read all instructions before using the washer.
- Do not wash articles that have been previously cleaned in, washed in, soaked in, or spotted with gasoline, dry-cleaning solvents, other flammable, or explosive substances as they give off vapors that could ignite or explode.
- Do not add gasoline, dry-cleaning solvents, or other flammable, or explosive substances to the wash water. These substances give off vapors that could ignite or explode.
- Under certain conditions, hydrogen gas may be produced in a hot water system that has not been used for 2 weeks or more. **HYDROGEN GAS IS EXPLOSIVE.** If the hot water system has not been used for such a period, before using the washing machine, turn on all hot water faucets and let the water flow from each for several minutes. This will release any accumulated hydrogen gas. As the gas is flammable, do not smoke or use an open flame during this time.
- Do not allow children to play on or in the washer. Close supervision of children is necessary when the washer is used near children.
- Before the washer is removed from service or discarded, remove the door or lid.
- Do not reach into the washer if the drum, tub or agitator is moving.
- Do not install or store the washer where it will be exposed to the weather.
- Do not tamper with controls.
- Do not repair or replace any part of the washer or attempt any servicing unless specifically recommended in this manual or in published user-repair instructions that you understand and have the skills to carry out.
- See "Electrical Requirements" for grounding instructions.

**SAVE THESE INSTRUCTIONS**

# INSTALLATION REQUIREMENTS

## Tools and Parts

Gather the required tools and parts before starting installation. The parts supplied are in the washer drum.

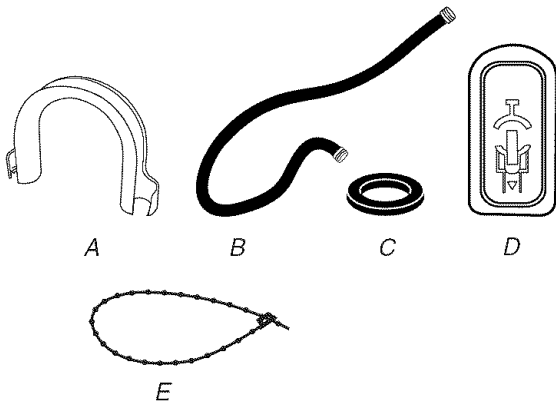
### Tools needed for connecting the water inlet hoses

- Pliers (that open to 1 $\frac{1}{16}$ " [39.5 mm])
- Flashlight (optional)

### Tools needed for installation

- Open end wrenches 14 mm and 13 mm
- Level
- Wood block
- Ruler or measuring tape

### Parts supplied



- A. U-shaped hose form
- B. Water inlet hoses (2)
- C. Inlet hose washers (4)
- D. Transit bolt hole plug (4)
- E. Beaded tie strap

### Alternate Parts

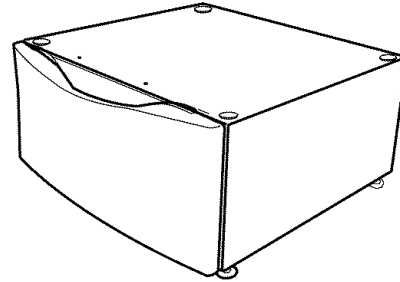
Parts listed are available from your local Sears store or Sears Service Center. For further information, please call **1-800-4-MY-HOME® (1-800-469-4663)**.

If You Have	You Will Need to Buy
Laundry tub or standpipe taller than 96" (2.4 m)	Sump pump system (if not already available)
Overhead sewer	Standard 20 gal. (76 L), 30" (76.2 cm) tall drain tub or utility sink and sump pump (available from local plumbing suppliers)
Floor drain	Siphon break, Part Number 285834; additional drain hose, Part Number 8318155; and connector kit, Part Number 285835
Drain hose too short	4 ft (1.2 m) drain hose extension kit, Part Number 285863
Water faucets beyond reach of fill hoses	2 longer water fill hoses: 6 ft (1.8 m) Part Number 76314 10 ft (3.0 m) Part Number 350008

## Options

### Pedestal

You have the option of purchasing pedestals of different heights separately for this washer. You may select a 10" (25.4 cm) or a 15.5" (39.4 cm) pedestal. The pedestal will add to the total height of the washer.



Optional pedestal

To order, call your local Sears store. For further information, please call **1-800-4-MY-HOME® (1-800-469-4663)**.

Pedestal Height	Approximate height with washer	Color	Model Number
10" (25.4 cm)	46" (116.8 cm)	White	46822
15.5" (39.4 cm)	51.5" (130.8 cm)	White	57822

### Stack Kit

Are you planning to stack your washer and dryer? To do so, you will need to purchase a Stack Kit.

To order, call your local Sears store. Ask for the stack kit (Part Number 8572546). For further information, please call **1-800-4-MY-HOME® (1-800-469-4663)**. Follow instructions included with the kit. See "Location Requirements."

## Location Requirements

Selecting the proper location for your washer improves performance and minimizes noise and possible washer “walk.”

Your washer can be installed under a custom counter, or in a basement, laundry room, closet, or recessed area. See “Drain System.”

Companion appliance location requirements should also be considered. Proper installation is your responsibility.

### You will need

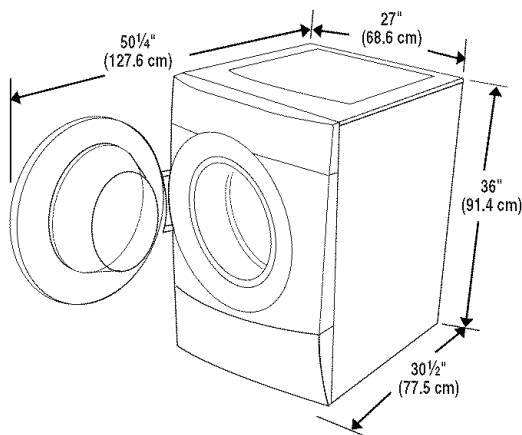
- A water heater set to deliver 120°F (49°C) water to the washer.
- A grounded electrical outlet located within 6 ft (1.8 m) of where the power cord is attached to the back of the washer. See “Electrical Requirements.”
- Hot and cold water faucets located within 4 ft (1.2 m) of the hot and cold water fill valves, and water pressure of 20-100 psi (137.9-689.6 kPa).
- A level floor with a maximum slope of 1" (2.5 cm) under entire washer. Installing the washer on soft floor surfaces, such as carpets or surfaces with foam backing, is not recommended.
- A sturdy and solid floor to support the washer with a total weight (water and load) of 400 lbs (180 kg).

Do not operate your washer in temperatures below 32°F (0°C). Some water can remain in the washer and can cause damage in low temperatures.

### Installation clearances

- The location must be large enough to allow the washer door to be fully opened.
- Additional spacing should be considered for ease of installation and servicing. The door opens more than 90°, and it is not reversible.
- Additional clearances might be required for wall, door, and floor moldings.
- Additional spacing of 1" (2.5 cm) on all sides of the washer is recommended to reduce noise transfer.
- Companion appliance spacing should also be considered.

### Washer Dimensions

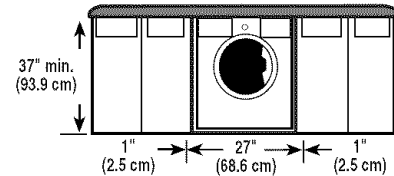


Door is not reversible.

### Recommended installation spacing for custom undercounter installation

The dimensions shown are for the recommended spacing.

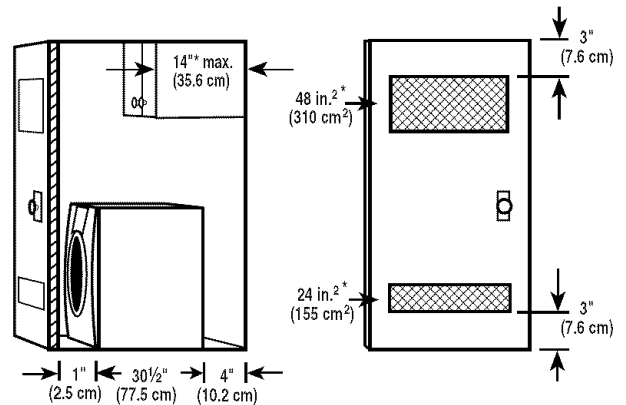
#### Custom undercounter installation - Washer only



### Recommended installation spacing for recessed or closet installation, with or without a pedestal

The dimensions shown are for the recommended spacing.

#### Recessed area or closet installation



A

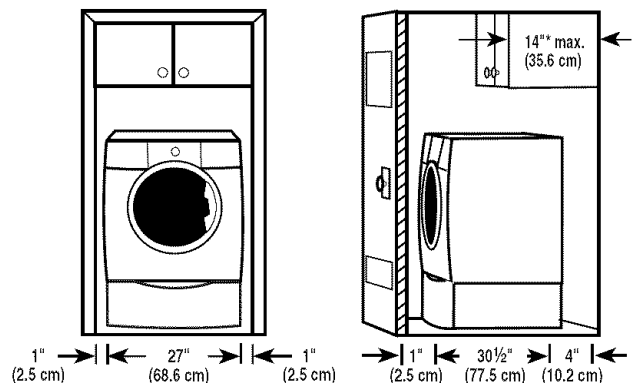
B

A. Side view - closet or confined area

B. Closet door with vents

\*Min. top and bottom air openings for closet door.

#### Recessed or closet installation - Washer on pedestal



A

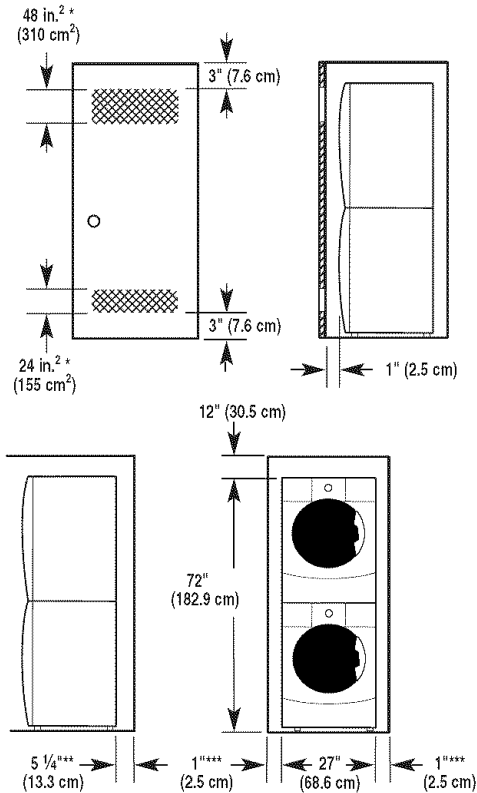
B

A. Recessed area

B. Side view - closet or confined area

## Recommended installation spacing for recessed or closet installation, with stacked washer and dryer

The dimensions shown are for the recommended spacing.



\*Min. top and bottom air openings for closet door.

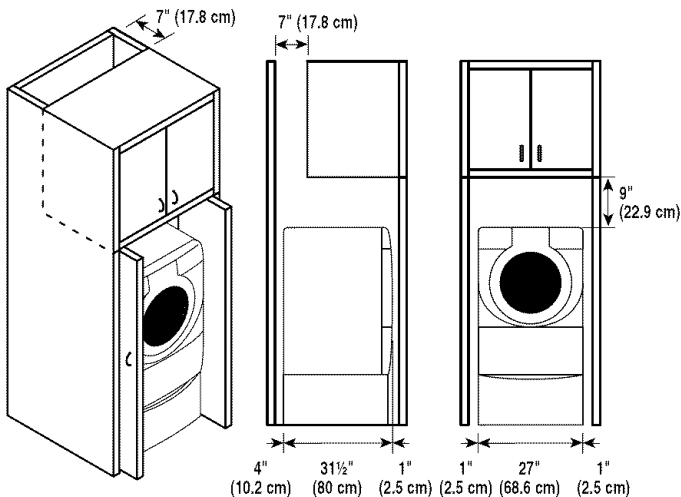
\*\* External exhaust elbow requires additional space.

\*\*\*Wall, door and floor molding may require additional spacing.

## Recommended installation spacing for cabinet installation

The dimensions shown are for the recommended spacing.

For cabinet installation, with a door, the minimum ventilation openings in the top are required.



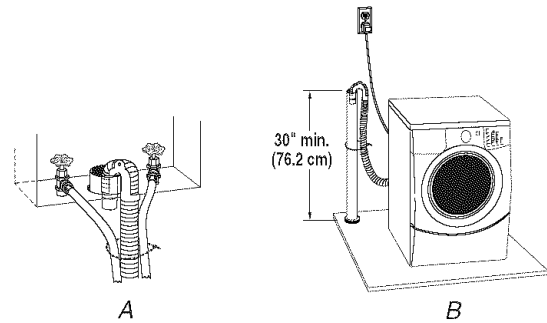
## Drain System

The washer can be installed using the standpipe drain system (floor or wall), the laundry tub drain system, or the floor drain system. Select the drain hose installation method you need. See "Tools and Parts."

### Standpipe drain system - wall or floor (views A & B)

The standpipe drain requires a minimum diameter standpipe of 2" (5 cm). The minimum carry-away capacity can be no less than 17 gal. (64 L) per minute.

The top of the standpipe must be at least 30" (76.2 cm) high and no higher than 96" (2.4 m) from the bottom of the washer.



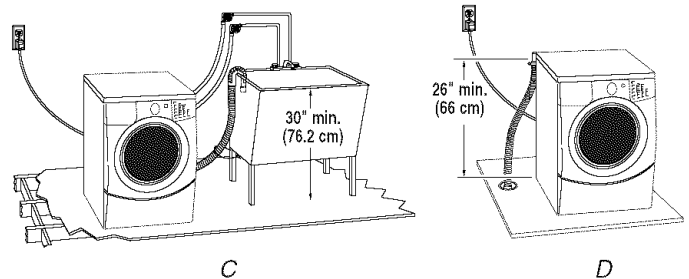
### Laundry tub drain system (view C)

The laundry tub needs a minimum 20 gal. (76 L) capacity. The top of the laundry tub must be at least 30" (76.2 cm) above the floor.

### Floor drain system (view D)

The floor drain system requires a siphon break that may be purchased separately. See "Tools and Parts."

The siphon break must be a minimum of 28" (71 cm) from the bottom of the washer. Additional hoses might be needed.



## Electrical Requirements

### **⚠ WARNING**



#### **Electrical Shock Hazard**

**Plug into a grounded 3 prong outlet.**

**Do not remove ground prong.**

**Do not use an adapter.**

**Do not use an extension cord.**

**Failure to follow these instructions can result in death, fire, or electrical shock.**

- A 120 volt, 60 Hz., AC only, 15- or 20-amp, fused electrical supply is required. A time-delay fuse or circuit breaker is recommended. It is recommended that a separate circuit serving only this appliance be provided.
- This washer is equipped with a power supply cord having a 3 prong grounding plug.
- To minimize possible shock hazard, the cord must be plugged into a mating, 3 prong, grounding-type outlet, grounded in accordance with local codes and ordinances. If a mating outlet is not available, it is the personal responsibility and obligation of the customer to have the properly grounded outlet installed by a qualified electrician.
- If codes permit and a separate ground wire is used, it is recommended that a qualified electrician determine that the ground path is adequate.

- Do not ground to a gas pipe.
- Check with a qualified electrician if you are not sure the washer is properly grounded.
- Do not have a fuse in the neutral or ground circuit.

### **GROUNDING INSTRUCTIONS**

#### **For a grounded, cord-connected washer:**

This washer must be grounded. In the event of a malfunction or breakdown, grounding will reduce the risk of electrical shock by providing a path of least resistance for electric current. This washer is equipped with a cord having an equipment-grounding conductor and a grounding plug. The plug must be plugged into an appropriate outlet that is properly installed and grounded in accordance with all local codes and ordinances.

**WARNING:** Improper connection of the equipment-grounding conductor can result in a risk of electric shock. Check with a qualified electrician or serviceman if you are in doubt as to whether the appliance is properly grounded.

Do not modify the plug provided with the appliance – if it will not fit the outlet, have a proper outlet installed by a qualified electrician.

#### **For a permanently connected washer:**

This washer must be connected to a grounded metal, permanent wiring system, or an equipment grounding conductor must be run with the circuit conductors and connected to the equipment-grounding terminal or lead on the appliance.

# INSTALLATION INSTRUCTIONS

## Remove Transport System

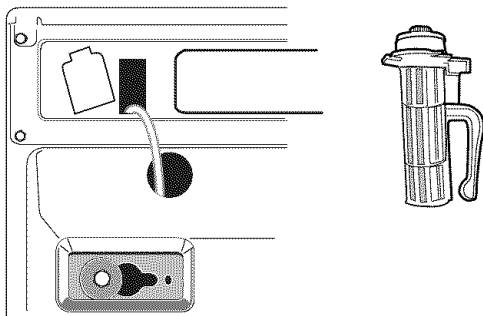
### **⚠ WARNING**

#### **Excessive Weight Hazard**

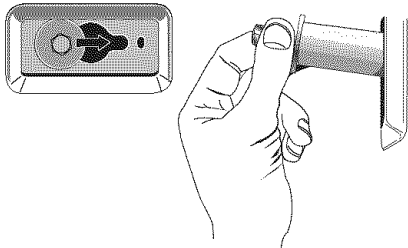
Use two or more people to move and install washer.  
Failure to do so can result in back or other injury.

**IMPORTANT:** Position the washer so that the rear of the washer is within approximately 3 ft (90 cm) of its final location.

There are 4 blue bolts in the rear panel of the washer that support the suspension system during transportation. These bolts also retain the power cord inside the washer until the bolts are removed.



1. Using a 13 mm wrench, loosen each of the bolts.
2. Once the bolt is loose, move it to the center of the hole and completely pull out the bolt, including the plastic spacer covering the bolt.

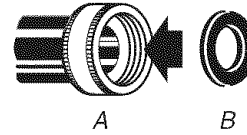


3. Once all 4 bolts are removed, discard the bolts and spacers. Then pull the power cord through the opening of the rear panel and close the hole with the attached cap.
4. Close the bolt holes with the 4 transport bolt hole plugs.

**NOTE:** If the washer is to be transported at a later date, call your local service center. To avoid suspension and structural damage, your machine must be properly set up for relocation by a certified technician.

## Connect the Inlet Hoses

Insert new flat washers (supplied) into each end of the inlet hoses. Firmly seat the washers in the couplings.

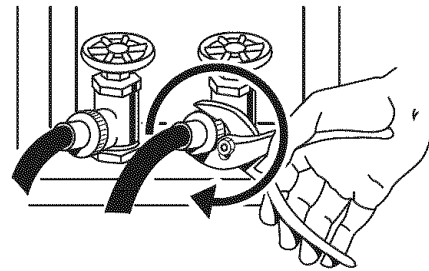


A. Coupling  
B. Washer

## Connect the inlet hoses to the water faucets

Make sure the washer drum is empty.

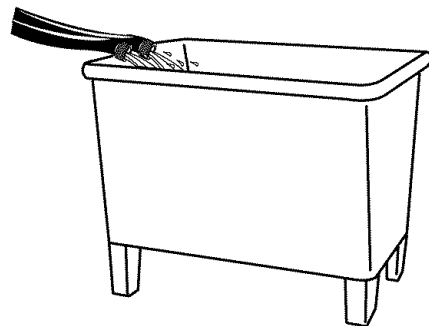
1. Attach a hose to the hot water faucet. Screw on coupling by hand until it is seated on the washer.
2. Attach a hose to the cold water faucet. Screw on coupling by hand until it is seated on the washer.
3. Using pliers, tighten the couplings with an additional two-thirds turn.



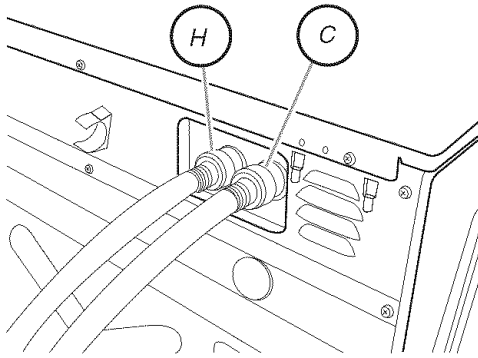
**NOTE:** Do not overtighten or use tape or sealants on the valve. Damage to the valves can result.

## Clear water lines

- Run water through both faucets and inlet hoses, into a laundry tub, drainpipe or bucket, to get rid of particles in the water lines that might clog the inlet valve screens.
- Check the temperature of the water to make sure that the hot water hose is connected to the hot water faucet and that the cold water hose is connected to the cold water faucet.



## Connect the inlet hoses to the washer



H. Hot water inlet  
C. Cold water inlet

1. Attach the hot water hose to the washer's hot (H) water inlet valve. Screw on coupling by hand until it is seated on the washer.
2. Attach the cold water hose to the washer's cold (C) water faucet. Screw on coupling by hand until it is seated on the washer.
3. Using pliers, tighten the couplings with an additional two-thirds turn.

**NOTE:** Do not overtighten. Damage to the coupling can result.

4. Turn on the water faucets completely and check for leaks.

**NOTE:** Replace inlet hoses after 5 years of use to reduce the risk of hose failure. Record hose installation or replacement dates on the hoses for future reference.

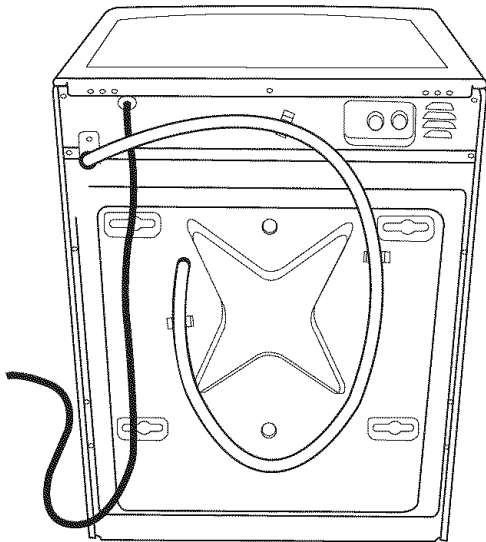
Periodically inspect and replace hoses if bulges, kinks, cuts, wear, or leaks are found.

## Route the Drain Hose

Proper routing of the drain hose protects your floor from damage due to water leakage. Read and follow these instructions.

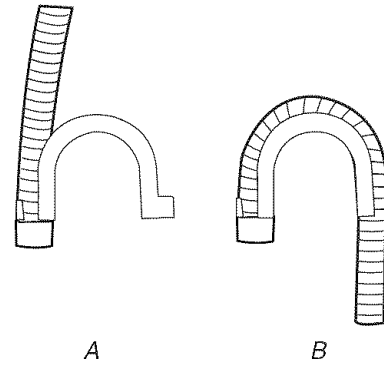
### Remove drain hose from the washer

Gently pull the corrugated drain hose from the shipping clips.



## Laundry tub drain or standpipe drain

Connect the drain hose form to the corrugated drain hose.



A. Snap either end of the drain hose form to the drain hose at the point where the corrugation begins.

B. Bend drain hose over drain hose form and snap into place.

### To keep drain water from going back into the washer:

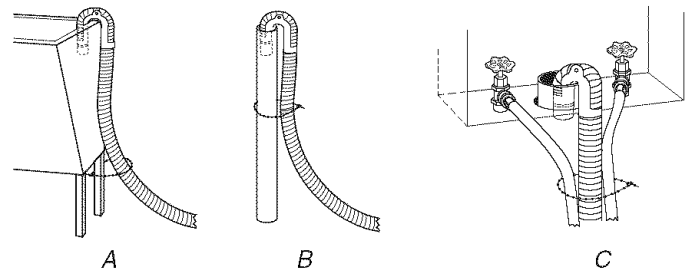
- Do not straighten the drain hose, and do not force excess drain hose into standpipe. Hose should be secure, but loose enough to provide a gap for air.
- Do not lay excess hose on the bottom of the laundry tub.

### Floor drain

You may need additional parts. See Floor drain under "Tools and Parts."

## Secure the Drain Hose

1. Drape the power cord over the washer top.
2. Move the washer to its final location.
3. Place the drain hose in the laundry tub or standpipe as shown. See illustrations A and B.



4. If the washer faucets and the drain standpipe are recessed, put the hooked end of the drain hose in the standpipe as shown. See illustration C.

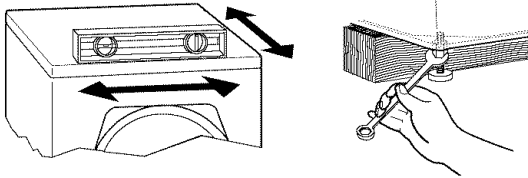
### NOTES:

- Do not force excess drain hose back into the rear of the washer.
- To avoid siphoning, do not seal the drain hose into the standpipe.

## Level the Washer

Properly leveling and locking the feet on your washer avoids excessive noise and vibration.

1. Check that the four locknuts on the washer feet are tightened against the washer cabinet using a 14 mm open-end wrench.
2. Place the washer in its final location and check the levelness of the washer. The washer should not move front to back, side to side, or diagonally when pushed on its top edges. Make sure all four feet are stable and resting on the floor.



3. If the washer is not level, move the washer out slightly before tipping back. First prop the front with a wood block, loosen the locknuts and adjust the feet as necessary; then prop the back and adjust feet as necessary. Repeat steps 1-3 until the washer is level.

**IMPORTANT:** All four feet must be tightened. If the locknuts are not tight against the washer cabinet, the washer may vibrate.

## Complete Installation

1. Check the electrical requirements. Be sure that you have the correct electrical supply and the recommended grounding method. See “Electrical Requirements.”
2. Check that all parts are now installed. If there is an extra part, go back through the steps to see which step was skipped.
3. Check that you have all of your tools.
4. Dispose of/recycle all packaging materials.
5. Check that the water faucets are on.
6. Check for leaks around faucets and inlet hoses.

### **⚠ WARNING**



#### **Electrical Shock Hazard**

**Plug into a grounded 3 prong outlet.**

**Do not remove ground prong.**

**Do not use an adapter.**

**Do not use an extension cord.**

**Failure to follow these instructions can result in death, fire, or electrical shock.**

7. Plug into a grounded 3 prong outlet.
8. Read “Washer Use.”
9. To test and to clean your washer, measure ½ the detergent manufacturer’s recommended amount of HE High Efficiency detergent for a medium-size load. Pour the detergent into the detergent dispenser. Select NORMAL/CASUAL, and then select START. Allow the washer to complete one whole cycle.



*Use only HE High Efficiency detergent.*

# FEATURES AND BENEFITS

Your new front-loading high efficiency washer, was designed to conserve resources and lower your water and energy bills. The washer is designed to determine and then provide the amount of water needed for the best performance. The time of operation may be greater for this new system than for a conventional washer.

## Electronic Controls

Flexible electronic controls are easy to use whether you are a beginner or an expert.

## Auto Water Level

Adjusting to the size of the load, this feature allows the washer to use the minimal amount of water needed to clean and rinse the clothes. With a low water level, you can obtain the same results with smaller amounts of laundry products. Because only the required amount of water is used, the washer saves energy, too. You can obtain the same washing results for small and large loads size.

## Larger Load Size

Since there is no agitator, you can wash larger, bulkier items such as an average size sleeping bag. You are also able to wash more clothes at one time, which means fewer loads. You can wash a pillow or a large stuffed teddy bear.

## Suspension System

To reduce washer “walk” and “off-balance” conditions, your new washer combines:

- 2 Springs to isolate vibration
- 4 Shock absorbers at the washer base to minimize movement

## Stainless Steel Drum

The stainless steel drum eliminates corrosion and enables higher spin speeds for more water extraction, reducing drying time.

## Adaptive Variable Speed Motor

The motor adapts to the load size and to the cycle selected to give the optimum cleaning, rinsing, and spinning conditions. The motor can handle slow speeds needed for delicate items and is powerful enough to drive an average clothes load up to high-speed spin.

## Spin Speeds

This washer automatically selects the spin speed based on the cycle selected. This factory setting can be changed, however. This washer offers up to three different spin speed choices.

## Thermal Optimizer

The heating system ensures that the wash water is heated to the preset temperature for Heavy Duty, Whitest Whites, and Sanitary cycles. It also provides “Stepped Cleaning” when using the Sanitary cycle. “Stepped Cleaning” starts the wash cycle with warm water to remove stains (such as blood or grass). The water continues to be heated in order to remove stains such as dirty mechanical oil. The Sanitary cycle also helps eliminate 99.999% of *K. pneumonia*, *P. aereginosa* and *S. aureus*, which are three common infectious bacteria.

## Add A Garment

This option is available in all wash cycles except Rinse/Spin, Drain/Spin and Clean Washer. When this option is available at the beginning of the cycle, the Add A Garment status light will illuminate for the first 7 minutes. This washer allows a 7-minute period in which other garments may be added to a load.

## Dynamic Balance

A precision balancing system that allows the washer to reach high-speed spins. The washer spins faster so that clothes coming out of the washer will have less moisture than with traditional top load machines. In addition, if the Dynamic Balance system detects off-balance loads during spinning, it redistributes the clothes so that they are evenly balanced.

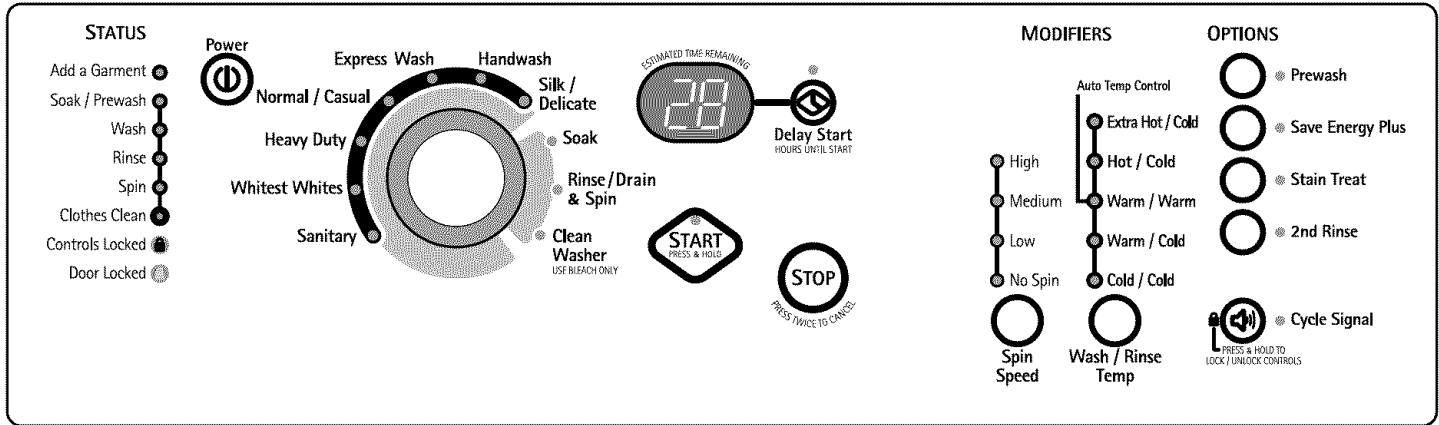
## Detergent Advantage System Dispenser

The three compartments in the dispenser allow loading of all laundry products before the washer is started. The products will be dispensed into the wash at the optimal time for high-performance cleaning. The bleach release system is included in the detergent advantage system. The detergent is added at the beginning of the cycle, and the bleach is added after the enzymes have had a chance to do their cleaning. The fabric softener is dispensed in the rinse cycle or in the 2ND RINSE, if selected. The Detergent Advantage System Dispenser tray can be easily removed for cleaning.




*Use only HE High Efficiency detergent.*

# WASHER USE



## Starting Your Washer

⚠ WARNING



Fire Hazard

Never place items in the washer that are dampened with gasoline or other flammable fluids.

No washer can completely remove oil.

Do not dry anything that has ever had any type of oil on it (including cooking oils).

Doing so can result in death, explosion, or fire.

**WARNING:** To reduce the risk of fire, electric shock, or injury to persons, read the IMPORTANT SAFETY INSTRUCTIONS before operating this appliance.

The following is a guide to using your washer. Please refer to specific sections of this manual for more detailed information.

Do not store laundry products on the top surface of this washer. Vibration is normal during operation.

## Using the Proper Detergent

Use only High Efficiency detergents. The package for this type of detergent will be marked "HE" or "High Efficiency." This wash system, along with less water, will create too much sudsing with a regular non-HE detergent. Using regular detergent will likely result in washer errors, longer cycle times, and reduced rinsing performance. It may also result in component failures and noticeable mold or mildew. HE detergents are made to produce the right amount of suds for the best performance. Follow the manufacturer's instructions to determine the amount of detergent to use.



Use only HE High Efficiency detergent.

## First Wash Cycle Without Laundry

Before washing clothes for the first time, if not completed during the final installation step, choose the Normal/Casual cycle and run it without clothes. Use only HE High Efficiency detergent. Use ½ the manufacturer's recommended amount for a medium-size load. This initial cycle serves to ensure the interior is clean before washing clothes.

## For All Wash Cycles

### 1. To load washer

Open the washer door by pulling on the handle. Sort laundry according to color and type of fabric. Place a load of sorted clothes in the washer. Do not overload washer. Overloading can cause poor cleaning.

- The washer can be fully loaded, but not tightly packed. Washer door should close easily.
- Mix large and small items. Avoid washing a single item. Load evenly.
- Wash small items such as infant socks in mesh garment bags. It is recommended that more than one garment bag be used and that each garment bag be filled with equal amounts of material.
- When unloading garments, occasionally check under the gray colored seal/bellow rim at the front of the tub for small items.

### 2. Close the washer door by pushing it firmly until the lock clicks. The washer door will remain locked during the wash cycle.

**NOTE:** After any wash cycle is completed, the door must be opened and then closed before a new cycle can begin. The door can be opened only if STOP is selected while the ADD A GARMENT light is illuminating or if the cycle has been canceled. See "To cancel a cycle" in the "Changing Cycles, Options and Modifiers" section.

### 3. Open the dispenser drawer and add laundry products to the detergent, bleach, or fabric softener compartments. Close drawer slowly to avoid spills. See "Using the Dispenser."

**NOTE:** Use only HE High Efficiency detergent.

### 4. Turn on the washer by selecting POWER. Select one of the cycles by turning the cycle selector. The indicator light for the selected cycle will illuminate. When selecting a Wash Cycle, the preset Modifiers and Options, Water Temp, and Spin Speed for the selected cycle will illuminate. The preset settings provide the recommended fabric care for the selected cycle. See "Cycles."

5. Select the desired **OPTIONS**. Not all Options are available with all cycles. See “Options.”
6. Select the desired **MODIFIERS**. Not all Modifiers are available with all Cycles and Options. See “Modifiers.”
7. If desired, select the **CYCLE SIGNAL**. The signal is helpful when you are washing items that should be removed from the washer as soon as it stops. Press **CYCLE SIGNAL** once to turn it on. The indicator light will illuminate. Press again to turn it off.
8. **To begin the wash cycle immediately**  
Select and hold **START** (for approximately 1 second).
  - If you do not select **START** within 5 minutes of choosing a cycle, the washer automatically shuts off.
  - When the wash cycle is complete, the **CLOTHES CLEAN** status light illuminates, the door unlocks, and the wash load can be removed from the washer. The washer powers down automatically 5 minutes after the cycle is complete and the **CLOTHES CLEAN** light goes off. To power down the washer manually after the wash cycle is complete, select **STOP** once.
9. **To begin the wash cycle later**  
Select **DELAY START** until the desired delay time (in hours) shows in the Estimated Time Remaining display. Select **START**. The countdown to the wash cycle will show in the display window.
 

**IMPORTANT:** When delaying a cycle, use only powdered detergents in the main wash compartment since liquid detergents may seep out of the compartment during Delay, before the wash cycle begins.

## Using the Dispenser

Your new washer has a dispenser drawer with three separate compartments for your laundry products—one is for detergent, one is for liquid chlorine bleach, and one is for liquid fabric softener. Laundry products are diluted and dispensed automatically at the proper time during the wash cycle, making it unnecessary for you to return to the washer during the cycle to add them.

It is normal for small amounts of water to remain in the dispensers when the wash cycle is complete.

Do not put laundry products directly into the wash tub. Always use the proper dispensers when adding laundry products.

### Choosing the Right Detergent

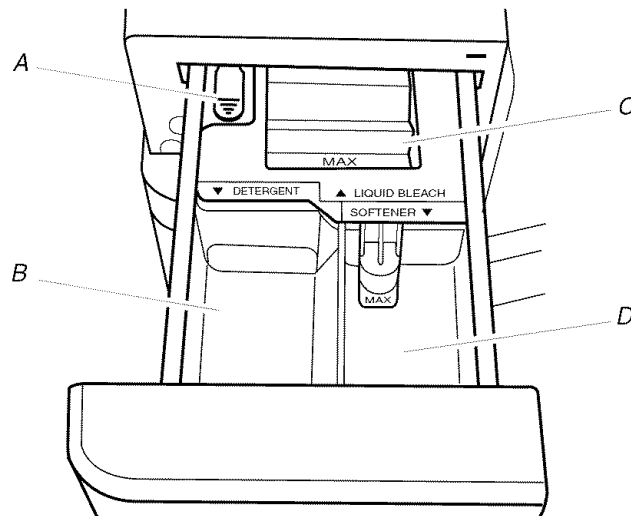
Use only High Efficiency detergents. The package for this type of detergent will be marked “HE” or “High Efficiency.” This wash system, along with less water, will create too much sudsing with a regular non-HE detergent. Using regular detergent will likely result in washer errors, longer cycle times, and reduced rinsing performance. It may also result in component failures and noticeable mold or mildew. HE detergents are made to produce the right amount of suds for the best performance. Follow the manufacturer’s instructions to determine the amount of detergent to use.



Use only HE High Efficiency detergent.

### To fill dispenser compartments

1. Pull out the dispenser drawer.
2. Add the desired laundry product to the proper compartment.
3. Push in the dispenser drawer slowly and completely (to avoid a spill).



**Dispenser**

- A. Dispenser release lever
- B. Main Wash detergent compartment
- C. Liquid chlorine bleach compartment
- D. Fabric softener compartment

### Main Wash detergent compartment

(Letter B in Dispenser Illustration)

Add liquid or powdered HE detergent to this compartment for your main wash cycle.

- Powdered color-safe bleach may be added to the Main Wash compartment along with the powdered detergent.
- Use the measurement device which comes with the detergent. Add no more than the manufacturer’s recommended amount.

**NOTE:** Overfilling could cause an oversudsing condition.

### Chlorine bleach compartment

(Letter C in Dispenser Illustration)

Add **NO MORE THAN**  $\frac{2}{3}$  cup (160 mL) liquid chlorine bleach to this compartment. The bleach will be automatically diluted and dispensed at the best time during the first rinse after the wash cycle. This compartment cannot dilute powdered bleach.

- Use only liquid chlorine bleach in this dispenser. Do not use this dispenser to add powdered chlorine or any form of color-safe bleach to your load.
- Always measure liquid chlorine bleach. Use a measuring cup with a pour spout; do not guess. Follow the manufacturer’s directions for proper use.
- Do not fill beyond the “MAX” level.

**NOTE:** Overfilling could cause garment damage.

### Fabric softener compartment

(Letter D in Dispenser Illustration)

Add  $\frac{1}{4}$  cup (60 mL) liquid fabric softener to this compartment. Fabric softener will be automatically dispensed in the final rinse or in the 2ND RINSE, if selected.

- Do not fill beyond the “MAX” level.

---

## Pausing or Restarting

1. To pause the washer at any time, select STOP.
  2. To continue the cycle, select and hold START (for approximately 1 second).
- 

## Changing Cycles, Options and Modifiers

Not all Options and Modifiers are available with all Cycles.

Cycles, Options and Modifiers can be changed anytime before START is selected.

---

### To stop a cycle and select a new cycle

---

1. Select STOP once.
  2. Select desired cycle.
  3. Select the desired MODIFIERS and OPTIONS.
  4. Select and hold START (for approximately 1 second) to restart the washer at the beginning of the new cycle.
- 

### To cancel a cycle

---

1. Select STOP twice.
2. The washer powers down, the door unlocks, and clothes can be removed.

**NOTE:** If the water level or the temperature is too high, the washer will drain automatically before the door unlocks.

---

### To change Options or Modifiers after the cycle has started

---

1. Select STOP.
  2. Select the desired MODIFIER or OPTION. If the modifier or option are not available, the machine will beep.
  3. Select and hold START (for approximately 1 second) to continue the cycle.
- 

### To drain the washer manually

---

1. Select STOP.
  2. Select RINSE/DRAIN & SPIN.
  3. Press the 2ND RINSE button to deselect the 2nd Rinse option.
  4. Select and hold START (for approximately 1 second) to begin the drain.
  5. When the spin is complete, the door unlocks. Items can be removed from the washer.
- 

---

## Status Lights

These lights show which portion of the cycle the washer is operating. They also indicate when you can add an additional item to the wash cycle and when the controls are locked.



---

### Adding items

---

You can add items to the washer after the wash cycle has started, if the ADD A GARMENT status light is illuminating. All cycles have this feature except Rinse/Spin, Drain/Spin and Clean Washer.

#### To add items

1. Select STOP. The washer door unlocks, and items can be added.
2. To continue the cycle, close the door and select and hold START (for approximately 1 second).

**NOTE:** To add garments after the ADD A GARMENT period is over, the wash cycle needs to be canceled, the items added, and a new wash cycle started.

---

### Clothes Clean

---

The Clothes Clean light comes on when the cycle is complete. Light will stay on until door is opened.

---

### Locking controls

---

The Control Lock avoids unintended use of the washer. You can also use the control lock feature to avoid unintended cycle or option changes during a cycle. When CONTROLS LOCKED is lit, all buttons are disabled except for STOP and POWER. You can lock the controls while the washer is operating.

#### To lock the controls

Select and hold CYCLE SIGNAL for 3 seconds.



The CONTROLS LOCKED status light illuminates.

#### To unlock the controls

Select and hold CYCLE SIGNAL for 3 seconds until the CONTROLS LOCKED Status light turns off.

---

### Estimated Time Remaining

---

The cycle times vary automatically based on your water pressure, water temperature, detergent, and clothes load. The cycle time will be extended if oversudsing occurs or the load is unbalanced. The SUDs routine removes extra suds and assures proper rinsing of your garments. The options you select will also affect the cycle times that are shown in the Preset Cycle Settings table. The Estimated Time Remaining can change up to 30 minutes under extreme conditions. During the unbalance routine the time displayed may pause until this activity is complete, then resume with the remainder of the cycle.

---

### Door Locked

---

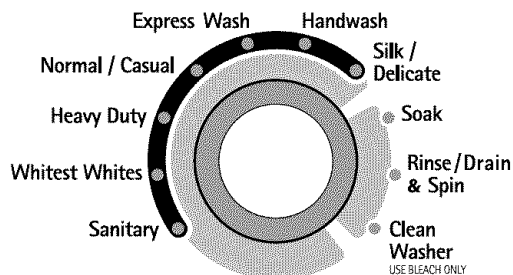
When the status light illuminates, the door is locked.

---

## Cycles

### Wash Cycles

Choose Wash Cycle by rotating the Cycle selector knob to the desired cycle. The indicator light for the cycle selected will illuminate. Each cycle is designed for different types of fabric and soil levels.



- Each cycle has a preset cycle time, WASH/RINSE TEMP, SPIN SPEED and may have preset Options and Modifiers. The preset settings provide the recommended fabric care for the selected cycle.
- The preset settings can be changed anytime before START is selected. Not all Options and Modifiers are available with all Cycles. To change settings after the cycle has started, select STOP, then select the desired settings. Select and hold START (for approximately 1 second) to continue the cycle.

### Preset Cycle Settings

Each cycle has a preset Cycle Time, Water Temp, and Spin Speed. The preset settings provide the recommended fabric care for the selected cycle. See chart.

Cycle	Estimated Time* (hr:min)	Wash/Rinse Temp	Spin Speed
Sanitary	3H	Extra Hot	High
Whitest Whites	2H	Hot	High
Heavy Duty	2H	Hot	High
Normal/Casual	:56	Warm	High
Express Wash (2-3 items)	:30	Warm	High
Handwash	:37	Cold	Low
Silk/Delicate	:34	Cold	Low
Soak	:30	Warm	N/A
Rinse/Drain & Spin	:26	Cold	High
Drain & Spin	:14	N/A	High
Clean Washer	:56	N/A	High

\*The cycle times vary automatically based on your water pressure, water temperature, detergent, and clothes load. The cycle time will be extended if oversudsing occurs or the load is unbalanced.

### Sanitary

Use this cycle to clean heavily soiled, colorfast fabrics. This cycle combines a super hot water temperature and fast speed tumbling to help ensure the removal of heavy soils and stains. It is recommended that you set your hot water heater to 120°F (49°C) to ensure proper performance during this cycle.

### Whitest Whites

This cycle is especially designed for cleaning loads of soiled white fabrics with the addition of bleach. Hot washing temperatures assure optimal bleach activity. An additional rinse provides optimal rinse performance to avoid chlorine residue on your laundry. This cycle combines fast-speed tumbling, longer wash time, and high-speed spin to shorten drying time.

### Heavy Duty

Use this cycle to wash loads of sturdy, colorfast fabrics and Heavy soiled garments. This cycle combines fast-speed tumbling, longer wash time, and high speed spin to shorten drying times.

### Normal/Casual

Use this cycle to wash loads of no-iron fabrics such as sport shirts, blouses, casual business clothes, permanent press blends, cottons and linens, and synthetic fabrics. This cycle combines medium-speed tumbling, high-speed spin, and a load cooling process to reduce wrinkling.

### Express Wash

Use this cycle to wash small loads of 2-3 lightly soiled garments that are needed in a hurry. This cycle combines fast-speed tumbling, a shortened wash time, and extra high speed spin to shorten drying time. Large wash loads will result in the machine increasing the wash time.

### Handwash

Use this cycle to clean washable woolen and special care garments. (Check label instructions to make sure that the garment is washable.) Similar to the way garments are hand washed in a sink, the wash action of this cycle combines periods of extra low tumbling speeds and soaking. Low spin speeds minimize wrinkling.

- Use mesh garment bags to wash undergarments such as underwire bras, items with strings, and small items such as socks.

### Silk/Delicate

Use this cycle to clean washable silk and ultra delicate garments. (Check label instructions to make sure that garment is washable.) This cycle gently tumbles and drains without spinning to gently clean garments and minimize wrinkling. Garments will contain a higher amount of water at the end of this cycle, because there is no spinning action.

- Use mesh garment bags as needed.

---

## Soak

---

Use the soak cycle to remove small spots or stains on fabrics. This cycle provides a soak time with warm or cold water followed by drain. Extra water, a short tumbling phase for equal distribution of the laundry, and soaking time without drum movement help improve the removal of stains. Drain without spin assures gentle treatment, even for delicate items.

### To use the soak cycle:

- Add detergent only to Main detergent compartment of the dispenser drawer.
- Select SOAK.
- Choose the desired soak temperature.
- Select and Hold START (approximately 1 second).
- When your soak cycle is complete, you will need to start a wash cycle to complete the cleaning of your garments.

---

## Rinse/Drain & Spin

---

Use this cycle to rinse, drain, and spin your wash load. This cycle combines fast-speed tumbling and high-speed spin. If desired, you can reduce the spin speed by selecting the speed you want from the SPIN SPEED modifier.

### Rinse/Drain & Spin is useful for

- Loads that need rinsing only.
- Adding fabric softener to a load using the fabric softener dispenser.

---

## Drain & Spin

---

Use this cycle to drain your washer or to drain and spin your wash load. The spin speed is preset to high. If desired, you can reduce the spin speed by selecting the speed you want from the SPIN SPEED modifier.

**NOTE:** Loads of synthetics, delicate fabrics, handwashables, and woolens should be drained with no spin or low spin to avoid fabric stress.

### To use Drain & Spin setting

- Select RINSE/DRAIN & SPIN cycle.
- Press the 2ND RINSE button to deselect the rinse option.
- Press START.

---

## Clean Washer

---

Use the Clean Washer cycle once a month to keep the inside of your washer fresh and clean. This cycle uses a higher water level in combination with liquid chlorine bleach to thoroughly clean the inside of your washing machine. See “Cleaning Your Washer.”

**IMPORTANT:** Do not place garments or other items in the washer during the Clean Washer cycle. Use this cycle with an empty wash drum.

---

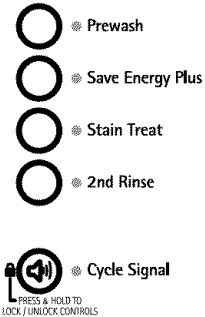
## Normal Sounds

As with any new product, you will hear sounds that you are not accustomed to. You may hear various sounds when the door is locked or unlocked, and during the washing, rinsing, or spinning process. Between changes in wash actions, there will be momentary pauses. You will hear water spraying and splashing during the wash and rinse cycles. These new sounds and pauses are part of normal washer operation. See “Troubleshooting.”

---

## Options

You can customize your wash by adding options to your cycle selections. You can add or change an option after starting a cycle anytime before the selected option begins. Not all options are available with all cycles.



- See the “Laundry Guide” section for an overview of possible options for each Wash Cycle selection.
- If an option is available with a selected cycle, the light for that option will illuminate when selected.
- If an option is unavailable with a selected cycle, there will be a short tone and the light for that option will not illuminate when selected.

---

## Prewash

---

Use this option for loads of heavily soiled items that need pretreatment.

- Add detergent to Main Wash compartment of the dispenser drawer.

This option adds tumbling time prior to the selected main cycle. The washer continues automatically from prewash into the main wash cycle.

---

## Save Energy Plus

---

The Save Energy Plus option allows you to increase your energy savings on the higher temperature cycles (Whitest Whites and Heavy Duty) while maintaining cleaning performance by lengthening the wash time by only 16 minutes.

**NOTE:** For the best energy performance, use the Normal/Casual cycle.

## Stain Treat

Use this option for heavily soiled loads that need improved stain treatment. When Stain Treat is selected, the water temperature of the selected wash cycle is automatically set to warm. The water will then be heated to a hot water temperature to aid in stain removal. This option will provide optimal removal of organic stains such as blood.

### NOTE:

- If Stain Treat is selected with the Sanitary cycle, the water will be heated to a very hot temperature.
- The Stain Treat and Energy Saver options cannot be selected in the same cycle.

## 2nd Rinse

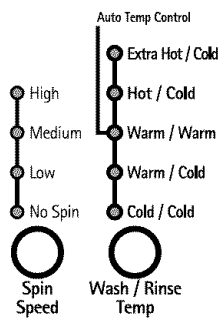
A second rinse can be used to aid in the removal of detergent or bleach residue from garments. This option provides an additional rinse with the same water temperature as the Normal rinse.

## Cycle Signal

This signal is helpful when you are removing items from the washer as soon as it stops. Select ON or OFF.

## Modifiers

Preset cycle settings of Wash/Rinse Temperature and Spin Speed can be changed. You can change a modifier after starting a cycle anytime before the selected Modifier begins. Not all modifiers are available with all options and cycles.



- To change the spin speed, select the SPIN SPEED button until the desired setting illuminates.
- To change the water temperature, select the WASH/RINSE TEMP button until the desired setting illuminates.

## Wash/Rinse Temp

Select a water temperature based on the type of load you are washing. Use the warmest wash water safe for fabrics. Follow garment label instructions.

Warm rinses leave the loads dryer than cold rinses. Warm rinses increase wrinkling. In cold climates, a warm rinse makes the load more comfortable to handle. Cold rinses save energy.

## Temperature Guide

Wash Water Temperature	Suggested Fabrics
<b>EXTRA HOT</b>	Sturdy colorfast fabrics Heavy soils
<b>HOT</b>	Whites and pastels Heavy soils
<b>WARM</b>	Bright colors Moderate to light soils
<b>COLD</b>	Colors that bleed or fade Light soils

In wash water temperatures colder than 60°F (15.6°C), detergents do not dissolve well. Soils may be difficult to remove.

## Auto Temp Control

ATC (Auto Temp Control) electronically senses and maintains a uniform water temperature. ATC regulates incoming hot and cold water. The ATC is automatically turned ON when a cycle is selected. See Preset Cycle Settings table in "Cycles."

- ATC works for the wash temperature with Extra Hot/Cold, Hot/Cold, Warm/Warm, Warm/Cold, and Cold/Cold settings.
- ATC works for the rinse temperature with the Warm/Warm setting.
- The Cold rinse temperatures depend on the cold water at your faucet.

## Laundry Guide

Refer to this chart for suggested load types and their corresponding cycles. Listed to the right are the options available to each of these washer cycles.

CYCLE	SUGGESTED LOAD TYPE	AVAILABLE OPTIONS					
		Delay Start	Prewash	Save Energy Plus	Stain Treat	2nd Rinse	Cycle Signal
<b>Sanitary</b>	Heavy soiled underwear, towels, work clothes, diapers, etc.	✓			✓	✓	✓
<b>Whitest Whites</b>	Soiled white fabrics	✓	✓	✓	✓	✓	✓
<b>Heavy Duty</b>	Heavily soiled underwear, towels, shirts, etc., made of cotton	✓	✓	✓	✓	✓	✓
<b>Normal/Casual</b>	Normally soiled blouses, shirts, overalls, etc., made of polyester, nylon, cotton, linen, or cotton blends	✓	✓		✓	✓	✓
<b>Express Wash</b>	Small loads of 2-3 lightly soiled cotton, polyester, nylon, and cotton blends.	✓				✓	✓
<b>Handwash</b>	Woolens with a felt-free finish and special care items identified as machine washable.	✓					✓
<b>Silk/Delicate</b>	Silk and delicate fabrics identified as machine washable.	✓				✓	✓
<b>Soak</b>	All loads	✓				✓	✓
<b>Rinse/Drain &amp; Spin</b>	All loads	✓					✓
<b>Clean Washer</b>	No clothes	✓					✓

# LAUNDRY TIPS

## Preparing clothes for washing

Follow these recommendations to help you prolong the life of your garments.

- Use only High Efficiency detergents. The package for this type of detergent will be marked "HE" or "High Efficiency." This wash system, along with less water, will create too much sudsing with a regular non-HE detergent. Using regular detergent will likely result in washer errors, longer cycle times and reduced rinsing performance. It may also result in component failures and noticeable mold or mildew. HE detergents are made to produce the right amount of suds for the best performance. Follow the manufacturer's instructions to determine the amount of detergent to use.



*Use only HE High Efficiency detergent.*

- Close zippers, snaps, and hooks to avoid snagging other items. Remove pins, buckles, and other hard objects to avoid scratching the washer interior. Remove non-washable trim and ornaments.
- Empty pockets and turn them inside-out.
- Turn down cuffs; brush away lint and dirt.
- Turn synthetic knits inside-out to avoid pilling.
- Tie strings and sashes so they will not tangle.
- Mend tears, loose hems, and seams.
- Treat spots and stains.
- Stained or wet garments should be washed promptly for best results.
- Mix large and small items, avoid washing single items, and load evenly.
- Wash small items, such as infant socks, in a mesh garment bag. To create a balanced load it is recommended that more than one garment bag be used, and that each garment bag be filled with equal amounts of material.

**NOTE:** If you are washing only small items, it is recommended that more than one mesh garment bag be used, and that each garment bag be filled with equal amounts of material.

## Sorting

- Separate heavily soiled items from lightly soiled ones, even if they would normally be washed together. Separate lint-givers (towels, chenille) from lint-takers (corduroy, synthetics, permanent press). When possible, turn lint-givers inside-out.
- Separate dark colors from light colors, colorfast items from noncolorfast items.
- Sort by fabric and construction (sturdy cottons, knits, delicate items).

## Unloading

- Remove clothes from washer after the cycle is completed. Metal objects such as zippers, snaps, and buckles may rust if left in the washer basket for a long time.
- When unloading garments, occasionally check under the gray colored seal at the front of the tub for small items.

## Loading

### Loading suggestions

#### Heavy Work Clothes

2 pair pants	3 pair jeans
3 shirts	1 coverall

#### Mixed Load

2 double sheets or 1 king size sheet	6 pair shorts
4 pillowcases	2 shirts
6 T-shirts	2 blouses
	6 handkerchiefs

#### Towels

8 bath towels	10 washcloths
8 hand towels	1 bath mat











#### Delicates

3 camisoles	2 bras
4 slips	2 nighties
4 panties	

#### EXPRESS WASH cycle

(2-3 garments)	2 dress shirts
	1 pair dress pants

## Stain Removal Guide

Stain	Use Liquid Chlorine or Color-Safe Bleach	Use suggested Wash Cycle	Stain	Use Liquid Chlorine or Color-Safe Bleach	Use suggested Wash Cycle
 Ink	✓	Whitest Whites	 Grass	✓	Whitest Whites
 Blood	✓	Cold or Warm Prewash Normal/Casual	 Tomato Products	✓	Whitest Whites
 Coffee/ Chocolate	✓	Warm/Soak Prewash Whitest Whites	 Mud	✓	Warm/Soak Prewash Whitest Whites
 Cosmetics		Heavy Duty	 Deodorants		Heavy Duty
 Dirty Motor Oil		Warm/Soak Prewash Heavy Duty	 Ring around the Collar	✓	Normal/Casual

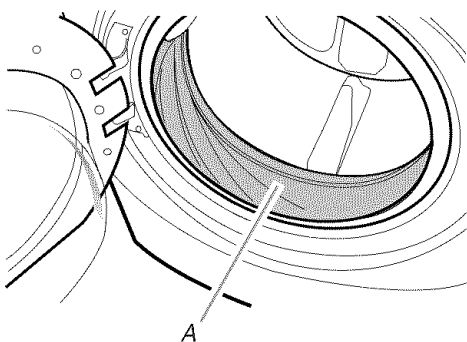
Do not tumble dry soiled or stained items. Heat may permanently set stains.

# WASHER CARE

## Cleaning Your Washer

### Cleaning the Door Seal/Bellow

1. Open the washer door and remove any clothing or items from the washer.
2. Inspect the gray colored seal/bellow between the door opening and the basket for stained areas. Pull back the seal/bellow to inspect all areas under the seal/bellow and to check for foreign objects.



A. Seal/Bellow

3. If stained areas are found, wipe down these areas of the seal/bellow, using the procedure that follows.
  - a) Mix a dilute solution, using  $\frac{3}{4}$  cup (177 mL) of liquid chlorine bleach, and 1 gal. (3.8 L) of warm tap water.
  - b) Wipe the seal/bellow area with the dilute solution, using a damp cloth.
  - c) Let stand 5 minutes.
  - d) Wipe down area thoroughly with a dry cloth and let the washer interior air dry with door open.

#### IMPORTANT:

- Wear rubber gloves when cleaning for prolonged periods.
- Refer to the bleach manufacturer's instructions for proper use.

### Washer Maintenance Procedure

This washer has a special cycle that uses higher water volumes in combination with liquid chlorine bleach to thoroughly clean the inside of the washer.

#### NOTES:

- Read these instructions completely before beginning the cleaning process.
- If necessary, the cleaning cycle may be interrupted by pressing the STOP button. This will stop the cycle. A RINSE/DRAIN & SPIN cycle must then be run to thoroughly rinse the remaining bleach from the washer. Failure to do so will cause damage to the washer and clothing added to the next cycle.

### Begin procedure

1. Open the washer door and remove any clothing or items from the washer.
2. Be sure the door is closed.
3. Open the dispenser drawer and immediately add  $\frac{2}{3}$  cup (160 mL) of liquid chlorine bleach to the bleach compartment.  
**NOTE:** Do not add any detergent to this cycle. Use of more than  $\frac{2}{3}$  cup (160 mL) of bleach will cause product damage over time.
4. Be sure the dispenser drawer is closed.
5. Select the CLEAN WASHER cycle.
6. Press START.  
**NOTE:** The basket will rotate, then the door will unlock, lock again, and then the cycle will continue.
  - The machine will not fill, but the basket will rotate while the washer runs a short sensing cycle. This will take approximately 3 minutes.
7. The cycle will determine whether clothing or other items are in the washer.
  - a) If no items are detected in the washer, it will proceed to Step 8.
  - b) If any items are detected in the washer, all the Cycle lights will flash, "rL" or "F-34" will be displayed, and the WASH and CONTROLS LOCKED lights will remain lit. The door will unlock.
    - Press STOP to cancel the failure code. Then repeat steps 1, 2 and 6 to start the cycle again.
8. Once the cycle has begun, allow the cycle to complete.
9. After the cycle is complete, leave the door open slightly, to allow for better ventilation and drying of washer interior.

### Always do the following to maintain washer freshness

- Use only HE High Efficiency detergent.
- Leave the door slightly open after each cycle to allow for better ventilation and drying of washer interior.
- Repeat the cleaning procedure monthly, using  $\frac{2}{3}$  cup (160 mL) of liquid chlorine bleach.
- If the procedure does not sufficiently improve the machine freshness, please evaluate your installation and usage conditions for other causes.

### Cleaning the exterior

Use a soft damp cloth or sponge to wipe up any spills. Occasionally wipe the outside of your washer to keep it looking new. Use mild soap and water. Do not use abrasive products.

### Cleaning the dispenser drawer

The dispenser drawer can be removed for easy cleaning.

1. Unlock the dispenser drawer by pressing the Release Lever. See "Using the Dispenser." Remove the drawer.
2. Remove the inserts (the siphon from the softener and bleach compartments).
3. Wash the parts under running water.  
**NOTE:** Do not wash components in the dishwasher.
4. Replace the inserts and return the dispenser to the drawer.

---

## Water Inlet Hoses

Replace inlet hoses after 5 years of use to reduce the risk of hose failure. Periodically inspect and replace inlet hoses if bulges, kinks, cuts, wear or leaks are found.

When replacing your inlet hoses, record the date of replacement.

---

## Vacation, Storage, and Moving Care

Install and store your washer where it will not freeze. Because some water may stay in the hoses, freezing can damage your washer. If storing or moving your washer during freezing weather, winterize it.

### Non-use or vacation care:

Operate your washer only when you are at home. If you will be on vacation or not using your washer for an extended period of time, you should:

- Unplug washer or disconnect power.
  - Turn off the water supply to the washer. This helps avoid accidental flooding (due to a water pressure surge) while you are away.
  - Slightly open door to provide ventilation.
- 

### To winterize washer:

---

1. Put 1 qt (1 L) of R.V.-type antifreeze in the drum.
  2. Run washer on a Drain & Spin cycle.
  3. Unplug washer or disconnect power.
  4. Shut off both water faucets.
  5. Disconnect water inlet hoses from faucets and drain.
- 

### To use washer again:

---

1. Flush water pipes.
  2. Reconnect water inlet hoses to faucets.
  3. Turn on both water faucets.
- 

## ⚠ WARNING



### Electrical Shock Hazard

**Plug into a grounded 3 prong outlet.**

**Do not remove ground prong.**

**Do not use an adapter.**

**Do not use an extension cord.**

**Failure to follow these instructions can result in death, fire, or electrical shock.**

4. Plug in washer or reconnect power.
5. Run the washer through the Normal/Casual cycle with ½ the manufacturer's recommended amount of HE detergent for a medium-size load, to clean the washer and remove the antifreeze, if used.

---

## To transport the washer:

---

1. If washer will be moved during freezing weather, put in 1 qt (1 L) of R.V.-type antifreeze in the drum. Run washer on a Drain & Spin cycle.
  2. Unplug the power cord.
  3. Disconnect the drain hose from the drain system and attach to rear panel clips.
  4. Shut off both water faucets.
  5. Disconnect the water inlet hoses from faucets, then drain the hoses and clip them to the rear panel of the washer.
  6. **IMPORTANT:** Call service. Do not reuse transport bolts. Washer must be transported in the upright position. To avoid suspension and structural damage, your machine must be properly set up for relocation by a certified technician.
- 

## Reinstalling the washer

---

1. Follow the "Installation Instructions" to locate, level and connect the washer.
2. Run the washer through the Normal/Casual cycle with ½ the manufacturer's recommended amount of HE detergent for a medium-size load, to clean the washer and remove the antifreeze, if used.

# TROUBLESHOOTING

First try the solutions suggested here to possibly avoid the cost of a service call...

## Washer and Components

### Error codes

An error code may be shown in the Estimated Time Remaining display. Check the list below for potential problem and troubleshooting checks.

- **“F20” on display (Water Inlet Problem—no water or insufficient water supply)**

Select STOP twice to cancel the cycle. Unplug washer or disconnect power.

**Check the following:**

Are water faucets completely turned on?

Are screens at inlet hose connection to washer clogged? Are water inlet hoses kinked?

Are water inlet hoses frozen?

- **“F” Variables [F01 - F34] (Electrical Problem)**

Select STOP twice to cancel the cycle. Select RINSE/DRAIN & SPIN, and then select 2ND RINSE (to turn off the rinse option) if there is excessive water in the washer.

Re-select cycle and press START. If the problem remains, call for service.

### Noisy, vibrating, off-balance

- **Is the washer level?**

The washer must be level. The four feet should be properly installed, and the nuts should be tightened against the washer cabinet.

All four feet of the washer must be in firm contact with the floor. If the washer is on a pedestal, the washer must be secured to the pedestal and all four pedestal feet must be in firm contact with the floor.

- **Washer making a different noise?**

As with any new product, you will hear sounds that you are not accustomed to. You may hear various sounds when the door is locked or unlocked, and during the washing, rinsing, or spinning process. Between changes in wash actions, there will be momentary pauses. You will hear water spraying and splashing during the wash and rinse cycles. These new sounds and pauses are part of normal washer operation.

- **Is washer installed on a sturdy and solid floor?**

Refer to the “Installation Instructions” for flooring requirements. Noise and vibration may be reduced by placing a piece of ¾" (19.1 mm) plywood underneath your washer. The plywood may extend underneath both washer and dryer to keep them at equal heights.

- **Is the washer gurgling or humming?**

As water is drained from the washer, you may hear air being pulled through the pump. This happens during the end of draining. It is normal.

- **Are you washing items with metal snaps, buckles or zippers?**

You may hear metal items touching the washer drum. This is normal.

- **Were the 4 shipping bolts in the back of the machine removed?**

See “Remove Transport System.”

## ⚠ WARNING



### Electrical Shock Hazard

Plug into a grounded 3 prong outlet.

Do not remove ground prong.

Do not use an adapter.

Do not use an extension cord.

Failure to follow these instructions can result in death, fire, or electrical shock.

Plug in washer or reconnect power. Re-select cycle and press START. If the problem remains, call for service.

- **“F21” on display (Drain Problem)**

Select STOP twice to cancel the cycle. Unplug washer or disconnect power.

**Check the following:**

Is the drain hose kinked?

Is the drain hose frozen?

Is the drain hose clogged?

Is the drain hose more than 96" (2.4 m) above the floor?

- **“SD” (Suds Routine)**

When excessive suds are detected, a suds routine automatically starts. This routine removes extra suds and assures proper rinsing of your garments. “SD” is displayed during rinsing and at the end of the cycle to inform you that the Suds Routine was activated. Use only HE (High Efficiency) detergents.

---

## Leaking

---

- **Was the door opened during “Add a garment”?**  
Water can drip off the inside of the door, when the door is opened after the start of a cycle.
- **Is HE detergent being used?**  
The non-High Efficiency detergents can cause oversudsing which can leak from the rear of the washer.
- **Are the fill hoses tight?**
- **Are the fill hose gaskets properly seated?**  
Check both ends of each hose. See “Connect the Inlet Hoses.”
- **Is the drain hose properly installed?**  
The drain hose should be secured to the drainpipe or laundry tub. See “Secure the Drain Hose.”
- **Is the sink or drain clogged?**  
Sink and drainpipe must be able to carry away 17 gal. (64 L) of water per minute. If clogged or slow, water can back up out of drainpipe or sink. Check household plumbing (laundry tubs, faucets, drainpipe, water pipes) for leaks.

---

## Dispenser operation

---

- **Did you follow the manufacturer’s directions when adding detergent and fabric softener to the dispensers?**  
Measure detergent and fabric softener. Slowly pour into the dispensers. Wipe up all spills. Dilute fabric softener in the fabric softener dispenser.
- **Did you put powdered or liquid color-safe bleach into the liquid chlorine bleach dispenser (on some models)?**  
Add powdered or liquid color-safe bleach to the Main Wash compartment. Do not use the chlorine bleach dispenser for color-safe bleach.
- **Is the fabric softener dispenser clogged?**  
Clean the fabric softener dispenser. See “Washer Care” for details.
- **Are the laundry products in the correct dispenser compartment?**  
Add the correct amounts of detergent, fabric softener or liquid chlorine bleach to the correct compartments. Add powdered or liquid color-safe bleach to the Main Wash compartment.
- **Is there water in the dispenser at the end of the cycle?**  
A small amount of water will remain in the dispenser compartment. This is normal.

---

## Washer odor

---

- **See “Cleaning Your Washer.”**
- **Are you using HE detergent?**  
Use of non-HE detergent can cause a film residue which can result in odor.
- **Did you leave the door open after use?**  
This washer has a tight seal to avoid water leaks. To avoid odors leave the door open to allow the washer to dry between uses.

---

## Door won't unlock

---

- **Did all of the water drain out of the washer during the spin?**  
Select RINSE/DRAIN & SPIN, and then select 2ND RINSE (to turn off the rinse option) to remove any water remaining in the washer. The washer door will unlock at the end of the drain.
- **Is the door locked and is the “Add a garment” light on?**  
Press STOP once. The door will unlock.

---

## Washer Operation

---

---

### Washer won't run, fill, rinse or tumble; washer stops

---

## ⚠ WARNING



### Electrical Shock Hazard

Plug into a grounded 3 prong outlet.

Do not remove ground prong.

Do not use an adapter.

Do not use an extension cord.

Failure to follow these instructions can result in death, fire, or electrical shock.

- **Is the power cord plugged into a grounded 3 prong outlet?**  
Plug power cord into a grounded 3 prong outlet.
- **Are you using an extension cord?**  
Do not use an extension cord.
- **Has a household fuse blown, or has a circuit breaker tripped?**  
Replace the fuse, or reset the circuit breaker. If the problem continues, call an electrician.
- **Are both the hot and cold water faucets turned on?**  
Turn on the water.
- **Is the water inlet hose kinked?**  
Straighten the hoses.
- **Are the water inlet valve screens clogged?**  
Turn off the water and remove inlet hoses from the washer. Remove any accumulated film or particles. Reinstall hoses, turn on water and check for leaks.
- **Is the washer in a normal pause in the cycle?**  
The washer pauses for about 2 minutes during certain cycles. Allow the cycle to continue. Some cycles feature periods of tumbling and soak.
- **Is the washer overloaded?**  
Wash smaller loads.
- **Is the washer door firmly shut?**  
The door must be closed during operation.
- **Are the shipping bolts removed?**  
All four shipping bolts must be removed for proper operation of the washer.

- **Has a cycle been selected, but START has not been selected and held for 1 second?**  
Press and hold START, for 1 second.
- **Was the door open after completion of last cycle?**  
The door must be opened and closed again to start a new cycle.

---

### Washer continues to fill or drain, cycle seems stuck

---

- **Is the top of drain hose lower than 30" (76 cm) on washer?**  
The top of the drain hose must be at least 30" (76 cm) above the floor. See "Drain System."
- **Does the drain hose fit too tightly in the standpipe, or is it taped to the standpipe?**  
The drain hose should be loose yet fit securely. Do not seal the drain hose with tape. The hose needs an air gap. See "Secure the Drain Hose."

---

### Washer won't drain or spin, water remains in washer

---

- **Is the drain hose clogged, or the end of the drain hose more than 96" (2.4 m) above the floor?**
- **Is your voltage low?**  
Check electrical source or call electrician.
- **Excessive suds?**  
When excessive suds are detected, a special suds routine automatically starts. Cycle will complete once extra suds are removed. This will occur more frequently when a non-HE detergent is used.
- **Is the load balanced?**  
A single or bulky item may cause imbalance. Add more items or redistribute the load.

---

### Not enough water/Not enough suds

---

- **Low water?**  
This washer uses very little water to provide good cleaning results. You will see little or no water splashing in this washer. This is normal.
- **Are you using HE detergent?**  
HE detergent is a low sudsing detergent. This is normal and will not affect cleaning performance.

---

### Wash/Rinse temperature

---

- **Are the hot and cold water inlet hoses reversed?**  
See "Connect the Inlet Hoses."
- **Are you washing many loads?**  
As your frequency of loads washed increases, the water temperature may decrease for hot and warm temperatures. This is normal.

---

### Cycle time changes/Cycle too long

---

- **Estimated cycle time?**  
The cycle times vary automatically based on your water pressure, water temperature, detergent, and clothes load. The cycle time will be extended if oversudsing occurs or the load is unbalanced. The SUDs routine removes extra suds and assures proper rinsing of your garments. The options you select will also affect the cycle times that are shown in the Preset Cycle Settings table.
- **Excessive suds?**  
When excessive suds are detected, a special suds routine automatically starts. This routine will add time to the original cycle.
- **Did the load cause imbalance?**  
When too much imbalance occurs, an imbalance routine will start to redistribute the load. During the imbalance routine the time displayed may pause until this activity is complete, then resume with the remainder of the cycle.
- **Are you washing a single item or bulky load?**  
Spin time is added if an unbalanced load is detected. The washer will attempt to redistribute the load with additional tumbling.
- **Did you wash a large load on the Express Wash cycle?**  
The Express Wash cycle is designed for smaller load sizes (2-3 items) of lightly soiled garments. If larger loads are washed in this cycle, wash time will be increased.
- **Did you wash a large load in a gentle or delicate cycle?**  
When using the Express Wash, or Silk/Delicate wash cycles you should use small loads. This ensures a gentle wash for your garments without increasing cycle times.

---

## Clothes Care

---

### Load too wet

---

- **Did you use the right cycle for the load being washed?**  
Select a cycle with a higher spin speed.
- **Did you wash a single item or bulky items or have you overloaded the washer?**  
A single item, bulky items, or overloading may cause imbalance. Add items or try to evenly distribute your wet laundry in the drum. Select RINSE/DRAIN & SPIN, and then select 2ND RINSE (to turn off the rinse option), to drain the washer. If the laundry is still wet, take half of the load out of the washer and try again.
- **Did you use HE detergent?**  
Suds during rinse and spin cycles can reduce spin speed. Use HE detergent.

### Residue, lint, stains on load; gray whites, dingy colors

---

- **Did you add detergent to the dispenser?**  
For best results, add detergent to the detergent compartment. Do not add detergent to the washer drum.
- **Did you sort properly?**  
Sort lint givers (towels, chenille) from lint takers (corduroy, synthetics). Dye transfer can occur when mixing whites and colors in a load. Sort dark clothes from whites and lights.
- **Did you overload the washer?**  
Do not overload the washer. The washer can be fully loaded, but not tightly packed. The wash load must be balanced. Lint can be trapped in the load if overloaded.
- **Check the following:**  
Was paper or tissue left in pockets?
- **Did you use enough HE detergent?**  
Follow manufacturer's recommendations for the type of load you are washing. For best performance, use only High Efficiency detergent. Use enough detergent to remove soil and hold it in suspension.
- **Do you have hard water?**  
Use more detergent for washing heavy soils in cold or hard water.
- **Is your water colder than 60°F (15.6°C)?**  
Wash water colder than 60°F (15.6°C) may not completely dissolve the detergent. Use hot or warm washes if safe for the fabric load. Make sure your hot water system is adequate to provide a hot water wash.

- **Are you using a low speed wash cycle?**  
Powdered detergents may not dissolve well in a slow-speed cycle. For best results, use liquid detergent for slow-speed cycles such as Delicates.
- **Did you unload the washer promptly?**  
To avoid dye transfer, unload the washer as soon as it stops.
- **Did you use a fabric softener dispensing ball?**  
Dispensing balls will not operate correctly with this washer. Add liquid fabric softener to the fabric softener compartment.
- **Did you use powdered detergent in a low-speed cycle?**  
Consider using liquid detergent.
- **Did you use Express Wash on a large load?**  
For best results, use Express Wash for small, lightly soiled loads.

### Load is wrinkled, twisted, tangled

---

- **Did you unload the washer promptly?**  
Unload the washer as soon as it stops.
- **Did you use the right cycle for the load being washed?**  
Use the Delicates cycle or another cycle with a low spin speed to reduce wrinkling.
- **Did you overload the washer?**  
The wash load must be balanced and not overloaded. Loads should tumble freely during washing.
- **Was the wash water warm enough to relax wrinkles?**  
If safe for load, use warm or hot wash water.
- **Are the hot and cold water hoses reversed?**  
Check that the hot and cold water hoses are connected to the right faucets. A hot rinse followed by spin will cause wrinkling. See "Connect the Inlet Hoses."

---

## Notes

# ÍNDICE

CONTRATOS DE PROTECCIÓN .....	29
GARANTÍA .....	30
SEGURIDAD DE LA LAVADORA .....	31
REQUISITOS DE INSTALACIÓN.....	32
Piezas y herramientas.....	32
Opciones.....	32
Requisitos de ubicación .....	33
Sistema de desagüe .....	34
Requisitos eléctricos.....	35
INSTRUCCIONES DE INSTALACIÓN.....	36
Eliminación del sistema de transporte .....	36
Conexión de las mangueras de entrada .....	36
Tendido de la manguera de desagüe.....	37
Fijación de la manguera de desagüe.....	37
Nivelación de la lavadora.....	38
Complete la instalación .....	38
CARACTERÍSTICAS Y BENEFICIOS.....	39
USO DE LA LAVADORA .....	40
Puesta en marcha de la lavadora .....	40
Uso del detergente adecuado .....	40
Uso del depósito.....	41
Pausa o reanudación de la marcha .....	42
Cambio de ciclos, opciones y modificadores .....	42
Luces de estado .....	43
Ciclos .....	43
Sonidos normales.....	45
Opciones.....	45
Modificadores .....	46
Guía para el lavado .....	47
CONSEJOS DE LAVANDERÍA .....	48
Cómo cargar .....	48
Guía para la eliminación de manchas .....	49
CUIDADO DE LA LAVADORA.....	50
Cómo limpiar su lavadora .....	50
Mangueras de admisión de agua.....	51
Cuidado para las vacaciones, el almacenaje o en caso de mudanza .....	51
SOLUCIÓN DE PROBLEMAS .....	52
Lavadora y componentes .....	52
Funcionamiento de la lavadora .....	53
Cuidado de las prendas.....	55
NÚMEROS DE SERVICIO.....	CONTRAPORTADA

## CONTRATOS DE PROTECCIÓN

### Contratos maestros de protección

*¡Felicitaciones por su inteligente adquisición!* Su nuevo producto Kenmore® está diseñado y fabricado para proporcionarle años de funcionamiento confiable. Pero al igual que todos los productos, puede necesitar mantenimiento preventivo o reparación de vez en cuando. Es allí donde el Contrato maestro de protección puede ahorrarle dinero e inconvenientes.

El Contrato maestro de protección también ayuda a prolongar la vida de su nuevo producto. He aquí lo que se incluye en el Contrato\*:

- ✓ **Piezas y mano de obra** necesarios para ayudar a mantener los productos funcionando correctamente **bajo uso normal**, no sólo en caso de defectos. Nuestra cobertura va **mucho más allá de la garantía del producto**. No existen deducibles ni fallas de funcionamiento que estén excluidas de la cobertura — **protección verdadera**.
- ✓ **Servicio experto** a cargo de un personal de más de 10.000 **técnicos de servicio** autorizados **por Sears**, lo que significa que su producto será reparado por alguien en quien usted puede confiar.
- ✓ **Llamadas de servicio ilimitado y servicio en todo el país**, con la frecuencia que usted desee, cuando usted desee.
- ✓ **Garantía “sin disgustos”** – reemplazo de su producto protegido si ocurren cuatro fallas o más del producto en el transcurso de doce meses.
- ✓ **Reemplazo del producto** si su producto protegido no puede ser reparado.
- ✓ **Revisión anual de mantenimiento preventivo** a solicitud suya – sin costo adicional.
- ✓ **Ayuda rápida por teléfono** – lo que nosotros llamamos **Solución rápida** – apoyo por teléfono a cargo de un representante de Sears para todos los productos. Piense en nosotros como si fuéramos un "manual parlante para el propietario".
- ✓ **Protección de sobrevoltaje** contra daños eléctricos debido a fluctuaciones de electricidad.
- ✓ **Protección por pérdida de comida, por un valor anual de \$250**, por cualquier pérdida de comida que sea como resultado de fallas mecánicas de cualquier refrigerador o congelador cubierto bajo la garantía.
- ✓ **Reembolso de la renta** si la reparación de su producto protegido tarda más de lo prometido.
- ✓ **10% de descuento** sobre el precio común por el servicio de reparación que no esté bajo protección, así como también las piezas relacionadas con el mismo que se hayan instalado.

Una vez adquirido el Contrato, tan sólo tiene que llamar para fijar la visita de servicio técnico. Usted puede llamar a cualquier hora, de día o de noche, o fijar una visita técnica en Internet.

El Contrato maestro de protección es una compra sin riesgo. Si por algún motivo usted lo cancela durante el período de la garantía del producto, le proveeremos un reembolso total. O un reembolso proporcional en cualquier momento posterior a la expiración del período de la garantía. ¡Adquiera hoy su Contrato maestro de protección!

**Se aplican algunas limitaciones y exclusiones. Para obtener precios e información adicional en EE.UU., llame al 1-800-827-6655.**

**\*La cobertura en Canadá varía en algunos artículos. Para obtener los detalles completos, llame a Sears Canada al 1-800-361-6665.**

### Servicio de Instalación de Sears

Para la instalación profesional de Sears de aparatos electrodomésticos, abridores de puertas de garaje, calentadores de agua y otros artículos principales del hogar, en los EE.UU. o en Canadá llame a **1-800-4-MY-HOME®**.

# GARANTÍA DE LOS ELECTRODOMÉSTICOS Y LOS PEDESTALES OPCIONALES KENMORE

## GARANTÍA LIMITADA DE UN AÑO

Cuando este electrodoméstico haya sido instalado, operado y mantenido según las instrucciones provistas con el producto, si este electrodoméstico falla por defectos de material o de mano de obra dentro de un año a partir de la fecha de compra, llame al 1-800-4-MY-HOME® para gestionar la reparación libre de cargo.

Si este electrodoméstico es empleado para algún otro uso que no sea el doméstico familiar, esta garantía sólo tiene vigencia por 90 días a partir de la fecha de compra.

## ESTA GARANTÍA CUBRE SOLAMENTE LOS DEFECTOS DE MATERIAL Y MANO DE OBRA. SEARS NO PAGARÁ POR LO SIGUIENTE:

1. Los artículos no reutilizables que pueden gastarse por el uso normal, incluyendo, pero sin limitación, filtros, correas, focos y bolsas.
2. Un técnico de servicio para enseñarle al usuario cómo instalar, operar o mantener el producto adecuadamente.
3. Un técnico de servicio para limpiar o mantener este producto.
4. Daños a este producto o fallas del mismo en caso de no ser instalado, operado o mantenido conforme a todas las instrucciones provistas con el producto.
5. Daños a este producto o fallas del mismo como resultado de accidente, abuso, uso indebido o un uso diferente de aquel para el cual fue creado.
6. Daños a este producto o fallas del mismo causados por el uso de detergentes, limpiadores, productos químicos o utensilios diferentes de los recomendados en todas las instrucciones provistas con el producto.
7. Daños a piezas o sistemas o fallas de los mismos como resultado de modificaciones no autorizadas que se hayan efectuado en este producto.

## EXCLUSIÓN DE GARANTÍAS IMPLÍCITAS; LIMITACIÓN DE RECURSOS

El único y exclusivo recurso del cliente según los términos de esta garantía limitada será el de reparar el producto según se estipula en la presente. Las garantías implícitas, incluyendo las garantías de comerciabilidad o de capacidad para un propósito particular, serán limitadas a un año o al período más corto permitido por ley. Sears no se hará responsable por daños incidentales o consecuentes. Algunos estados y provincias no permiten la exclusión o limitación de daños incidentales o consecuentes, o limitaciones acerca de cuánto debe durar una garantía implícita de comerciabilidad o capacidad, de modo que las limitaciones o exclusiones arriba mencionadas pueden no aplicarse en su caso.

Esta garantía se aplica sólo mientras este electrodoméstico se usa en los Estados Unidos y Canadá.

Esta garantía le otorga derechos legales específicos, y es posible que usted tenga también otros derechos, los cuales varían de un estado a otro.

**Sears, Roebuck and Co.**  
**Dept. 817WA, Hoffman Estates, IL 60179**  
**Sears Canada Inc.**  
**Toronto, Ontario, Canada M5B 2B8**

## REGISTRO DEL PRODUCTO

En el espacio a continuación, anote el número completo de modelo y serie así como la fecha de compra. Usted puede encontrar esta información en la etiqueta con el número de modelo y de serie ubicada en el producto.

Tenga esta información disponible para facilitarle la obtención de asistencia o servicio con prontitud siempre que llame a Sears con respecto a su electrodoméstico.

Número de modelo \_\_\_\_\_

Número de serie \_\_\_\_\_

Fecha de compra \_\_\_\_\_

**Guarde estas instrucciones y su comprobante de compra para referencia futura.**

## REGISTRO DE PRODUCTO DEL PEDESTAL

En el espacio a continuación, anote el número completo de modelo y serie así como la fecha de compra. Usted puede encontrar esta información en la etiqueta con el número de modelo y de serie ubicada en el producto.

Tenga esta información disponible para facilitarle la obtención de asistencia o servicio con prontitud siempre que llame a Sears con respecto a su pedestal.

Número de modelo \_\_\_\_\_

Número de serie \_\_\_\_\_

Fecha de compra \_\_\_\_\_

**Guarde estas instrucciones y su comprobante de compra para referencia futura.**

# SEGURIDAD DE LA LAVADORA

## Su seguridad y la seguridad de los demás es muy importante.

Hemos incluido muchos mensajes importantes de seguridad en este manual y en su electrodoméstico. Lea y obedezca siempre todos los mensajes de seguridad.



Este es el símbolo de advertencia de seguridad.

Este símbolo le llama la atención sobre peligros potenciales que pueden ocasionar la muerte o una lesión a usted y a los demás.

Todos los mensajes de seguridad irán a continuación del símbolo de advertencia de seguridad y de la palabra "PELIGRO" o "ADVERTENCIA". Estas palabras significan:

**⚠ PELIGRO**

Si no sigue las instrucciones de inmediato, usted puede morir o sufrir una lesión grave.

**⚠ ADVERTENCIA**

Si no sigue las instrucciones, usted puede morir o sufrir una lesión grave.

Todos los mensajes de seguridad le dirán el peligro potencial, le dirán cómo reducir las posibilidades de sufrir una lesión y lo que puede suceder si no se siguen las instrucciones.

## INSTRUCCIONES IMPORTANTES DE SEGURIDAD

**ADVERTENCIA:** Para reducir el riesgo de incendio, choque eléctrico o lesiones a personas al usar su lavadora, siga las precauciones básicas, incluyendo las siguientes:

- Lea todas las instrucciones antes de usar la lavadora.
- No lave artículos que hayan sido previamente limpiados, lavados, remojados o humedecidos con gasolina, solventes para lavar en seco, u otras sustancias inflamables o explosivas ya que éstas emanan vapores que podrían encenderse o causar una explosión.
- No agregue gasolina, solventes para lavar en seco, u otras sustancias inflamables o explosivas al agua de lavado. Estas sustancias emanan vapores que podrían encenderse o causar una explosión.
- En ciertas condiciones, puede generarse gas hidrógeno en un sistema de agua caliente que no se haya usado por dos semanas o un período mayor. **EL GAS HIDRÓGENO ES EXPLOSIVO.** Si no se ha usado el agua caliente durante dicho período, antes de usar la lavadora, abra todos los grifos de agua caliente y deje que corra el agua por varios minutos. Esto liberará todo el gas hidrógeno que se haya acumulado. Debido a la inflamabilidad de dicho gas, no fume ni use una llama abierta durante este lapso.
- No permita que los niños jueguen encima o dentro de la lavadora. Es necesario una supervisión cuidadosa de los niños toda vez que se use la lavadora cerca de ellos.
- Antes de poner la lavadora fuera de servicio o desecharla, quítele la puerta o la tapa.
- No introduzca las manos en la lavadora si el tambor, la tina, o el agitador están funcionando.
- No instale ni almacene esta lavadora donde pudiese estar sometida a la intemperie.
- No trate de forzar los controles.
- No repare ni cambie pieza alguna de la lavadora ni intente realizar tarea alguna de servicio técnico, excepto cuando así se le indique específicamente en este manual o en instrucciones de reparación para el usuario publicadas, que usted entienda y para cuya ejecución cuente con la habilidad necesaria.
- Para obtener información respecto a los requisitos de conexión a tierra, refiérase a los "Requisitos Eléctricos".

**GUARDE ESTAS INSTRUCCIONES**

# REQUISITOS DE INSTALACIÓN

## Piezas y herramientas

Reúna las herramientas y piezas necesarias antes de comenzar la instalación. Las piezas provistas con la lavadora están en el tambor de la lavadora.

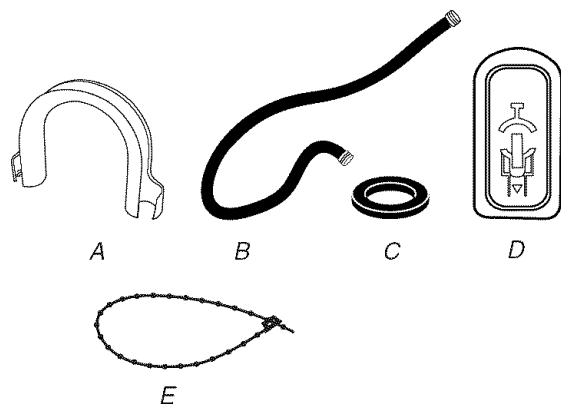
### Herramientas necesarias para la conexión de las mangueras de entrada del agua

- Alicates (que se abran a 1 $\frac{1}{16}$ " [39,5 mm])
- Linterna (opcional)

### Herramientas necesarias para la instalación

- Llaves de boca de 14 mm y 13 mm
- Nivel
- Bloque de madera
- Regla o cinta para medir

### Piezas suministradas



- A. Molde de la manguera de desagüe en forma de "U"  
 B. Mangueras de entrada (2)  
 C. Arandelas de las mangueras de entrada (4)  
 D. Tapón de orificio para perno de transporte (4)  
 E. Fleje rebordeado

### Piezas alternativas

Las piezas aquí enumeradas se pueden adquirir en la tienda Sears o en el Centro de Servicio Sears de su localidad. Para obtener más información, sírvase llamar al **1-800-4-MY-HOME® (1-800-469-4663)**.

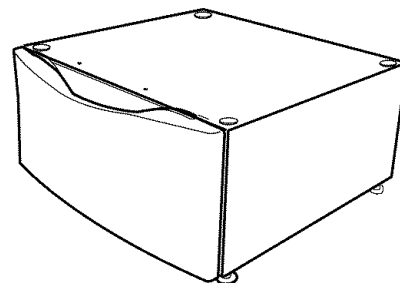
Si tiene	Necesitará adquirir
Un lavadero o tubo vertical a una altura mayor de 96" (2,4 m)	Sistema de bomba de sumidero (si no está disponible aún)
Una alcantarilla suspendida	Un tubo de desagüe estándar de 20 gal. (76 L), 30" (76,2 cm) de altura o un fregadero de uso general y una bomba de sumidero (en venta en establecimientos de plomería locales)
Desagüe por el piso	Desviación de sifón, pieza número 285834; manguera de desagüe adicional, pieza número 8318155; y juego de conectores, pieza número 285835

Si tiene	Necesitará adquirir
Una manguera de desagüe muy corta	Juego de extensión para manguera de 4 pies (1,2 m) Pieza número 285863
Grifos del agua fuera del alcance de las mangueras de llenado	2 mangueras de llenado del agua más largas: 6 pies (1,8 m) Pieza número 76314 10 pies (3,0 m) Pieza número 350008

## Opciones

### Pedestal

Usted tiene la opción de comprar por separado pedestales de alturas diferentes para esta lavadora. Puede seleccionar un pedestal de 10" (25,4 cm) o 15,5" (39,4 cm). El pedestal se agregará al peso total de la lavadora.



Pedestal opcional

Para hacer su pedido, llame a la tienda local de Sears. Para obtener más información, sírvase llamar al **1-800-4-MY-HOME® (1-800-469-4663)**.

Altura del pedestal	Altura aproximada con la lavadora	Color	Número de modelo
10" (25,4 cm)	46" (116,8 cm)	Blanco	46822
15,5" (39,4 cm)	51,5" (130,8 cm)	Blanco	57822

### Juego para apilar

¿Está usted planeando apilar la lavadora y secadora? Para hacer eso, necesitará comprar un juego para apilar.

Para hacer su pedido, llame a la tienda local de Sears. Pida el juego para apilar (Pieza número 8572546). Para obtener más información, sírvase llamar al **1-800-4-MY-HOME® (1-800-469-4663)**. Siga las instrucciones que se incluyen con el juego. Vea "Requisitos de ubicación".

## Requisitos de ubicación

La selección de una ubicación apropiada para su lavadora realza el rendimiento y reduce al mínimo el ruido y la posible "caminata" de la lavadora.

Su lavadora se puede instalar debajo de un mostrador a la medida, o en un sótano, cuarto para lavar, clóset o un lugar empotrado. Vea "Sistema de desagüe".

Deberá tenerse en cuenta también los requisitos para la ubicación de otro electrodoméstico acompañante. La instalación correcta es su responsabilidad.

### Usted necesitará

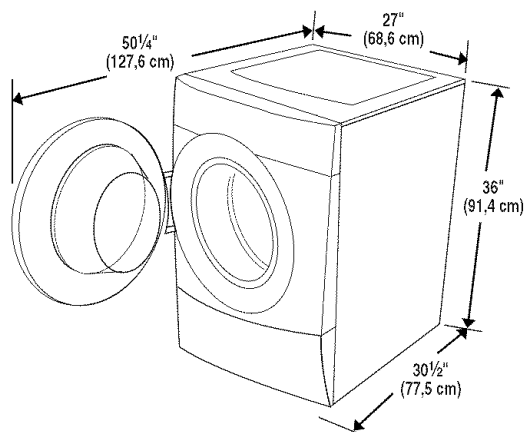
- Un calentador de agua fijado para suministrar a la lavadora el agua a 120°F (49°C).
- Un contacto eléctrico con conexión a tierra ubicado a una distancia de no más de 6 pies (1,8 m) del lugar donde el cable eléctrico está fijado a la parte posterior de la lavadora. Vea "Requisitos eléctricos".
- Los grifos de agua caliente y de agua fría ubicados a una distancia de 4 pies (1,2 m) de las válvulas de llenado del agua caliente y fría y una presión de agua de 20-100 lbs/pulg<sup>2</sup> (137,9-689,6 kPa).
- Un piso nivelado con un declive máximo de 1" (2,5 cm) debajo de la lavadora completa. No se recomienda instalar la lavadora sobre superficies blandas del piso, tales como alfombras o superficies con reverso de espuma.
- Un piso resistente y firme que soporte la lavadora con un peso total (del agua y de la carga) de 400 libras (180 kg).

No ponga a funcionar su lavadora a temperaturas inferiores a 32°F (0°C). El agua que quede en la lavadora puede ocasionar daños a bajas temperaturas.

### Espacios libres para la instalación

- El lugar debe ser lo suficientemente grande para permitir que la puerta de la lavadora se abra completamente.
- Debe considerarse espacio adicional para facilitar la instalación y el servicio técnico. La puerta se abre a más de 90° y no es reversible.
- Se podrían necesitar espacios libres adicionales para las molduras de la pared de la puerta y del piso.
- Se recomienda un espacio adicional de 1" (2,5 cm) en todos los lados de la lavadora para reducir la transferencia de ruido.
- También se debe considerar espacio adicional para otro electrodoméstico que le acompañe.

### Dimensiones de la lavadora

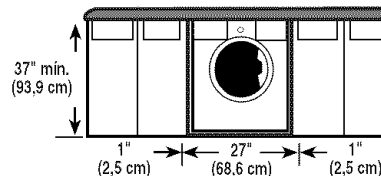


La puerta no es reversible.

### Espacio recomendado para la instalación a medida debajo del mostrador

Las dimensiones que se ilustran son para el espacio recomendado.

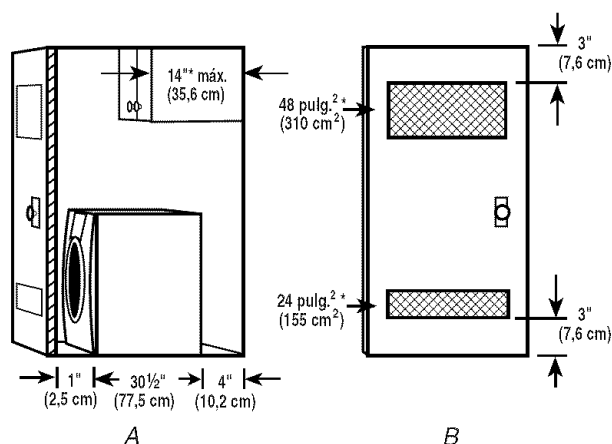
#### Instalación a medida debajo del mostrador - Sólo para la lavadora



### Espacio recomendado para la instalación en un lugar empotrado o en un clóset, con o sin pedestal

Las dimensiones que se ilustran son para el espacio recomendado.

#### Instalación en zona empotrada o en un clóset

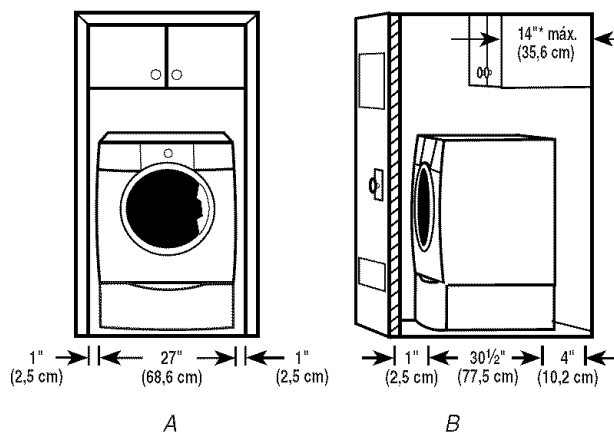


A. Vista lateral - clóset o lugar confinado

B. Puerta de clóset con orificios de ventilación

\*Aberturas de aire mínimas de la parte superior e inferior para la puerta del clóset.

#### Instalación en un clóset o lugar empotrado - Lavadora sobre un pedestal

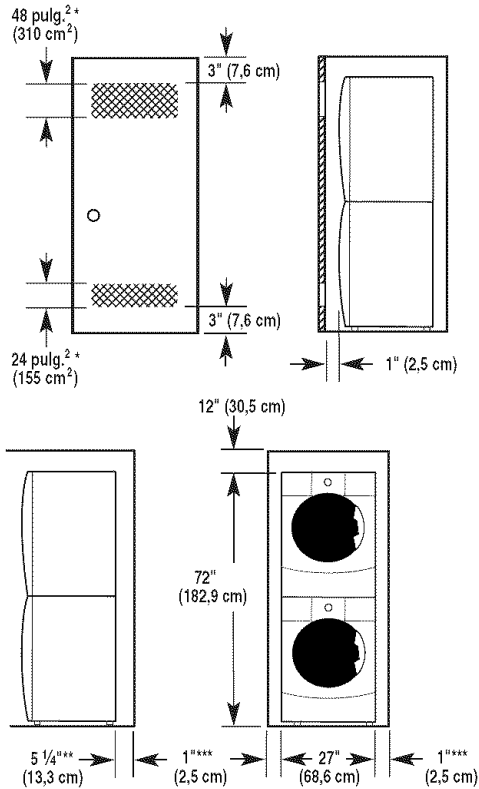


A. Lugar empotrado

B. Vista lateral - clóset o lugar confinado

## Espacio recomendado para la instalación en un lugar empotrado o en un clóset, con lavadora y secadora apiladas

Las dimensiones que se ilustran son para el espacio recomendado.



\* Aberturas de aire mínimas de la parte superior e inferior para la puerta del clóset.

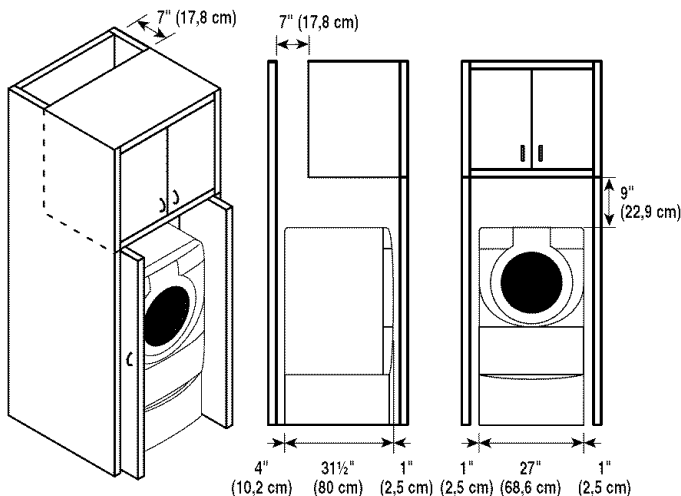
\*\* El codo externo de ventilación requiere espacio adicional.

\*\*\* La pared, puerta y molduras del piso pueden requerir espacios adicionales.

## Espacio recomendado para la instalación en un armario

Las dimensiones que se ilustran son para el espacio recomendado.

Para la instalación en un armario, con una puerta, se requieren aberturas de ventilación mínimas en la parte superior.



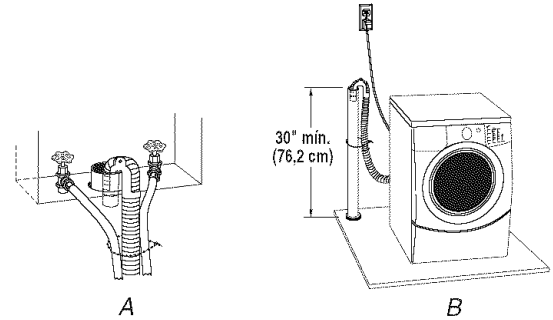
## Sistema de desagüe

Se puede instalar la lavadora utilizando el sistema de desagüe por tubo vertical (en el piso o en la pared), el sistema de desagüe por el lavadero, o el sistema de desagüe por el piso. Seleccione el método de instalación de la manguera de desagüe que usted necesite. Vea "Piezas y herramientas".

### Sistema de desagüe por tubo vertical - en la pared o en el piso (vistas A y B)

El desagüe por tubo vertical necesita un tubo vertical con un diámetro mínimo de 2" (5 cm). La capacidad mínima de desagüe no puede ser menor de 17 gal. (64 L) por minuto.

La parte superior del tubo vertical debe tener una altura mínima de 30" (76,2 cm) y máxima de 96" (2,4 m) desde la parte inferior de la lavadora.



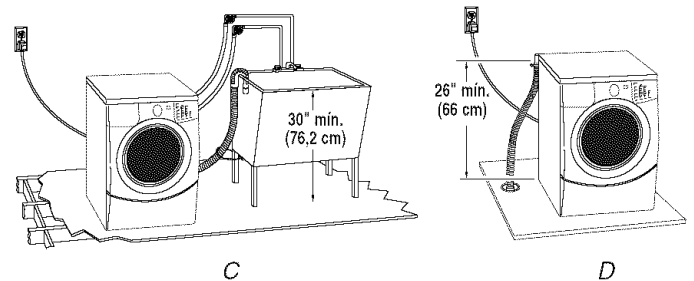
### Sistema de desagüe por el lavadero (vista C)

El lavadero necesita una capacidad mínima de 20 gal. (76 L). La parte superior del lavadero debe estar a una altura mínima de 30" (76,2 cm) del piso.

### Sistema de desagüe por el piso (vista D)

El sistema de desagüe por el piso necesita una desviación del sifón que puede adquirirse por separado. Vea "Piezas y herramientas".

La desviación del sifón debe estar a una distancia mínima de 28" (71 cm) de la parte inferior de la lavadora. Se pueden necesitar mangueras adicionales.



## Requisitos eléctricos

### **⚠ ADVERTENCIA**



#### **Peligro de Choque Eléctrico**

Conecte a un contacto de pared de conexión a tierra de 3 terminales.

No quite la terminal de conexión a tierra.

No use un adaptador.

No use un cable eléctrico de extensión.

No seguir estas instrucciones puede ocasionar la muerte, incendio o choque eléctrico.

- Se necesita un suministro eléctrico de 120 voltios, 60 hertzios, CA solamente, de 15 ó 20 amperios y protegido con fusible. Se recomienda un fusible retardador o un cortacircuitos. Asimismo se recomienda el uso de un circuito independiente que preste servicio únicamente a este aparato.
- Esta lavadora viene equipada con un cable eléctrico dotado de un enchufe de 3 terminales con conexión a tierra.
- Para reducir al mínimo el peligro de posibles choques eléctricos, el cable debe ser enchufado en un contacto apropiado de pared de 3 terminales, conectado a tierra de acuerdo con los códigos y normas locales. Si no hay disponible una salida equivalente, es responsabilidad y obligación personal del cliente de tener un contacto apropiado con conexión a tierra instalado por un electricista calificado.

- Si los códigos lo permiten y se emplea un alambre de conexión a tierra separado, es recomendable que un electricista calificado determine si la trayectoria de conexión a tierra es adecuada.
- No conecte a tierra a un tubo de gas.
- Si no está seguro de que la conexión a tierra de la lavadora sea la adecuada, verifíquela con un electricista competente.
- No tenga un fusible en el circuito neutro o de conexión a tierra.

### **INSTRUCCIONES PARA LA CONEXIÓN A TIERRA**

#### **Para una lavadora conectada a tierra con cable eléctrico:**

Esta lavadora debe conectarse a tierra. En caso de funcionamiento defectuoso o avería, la conexión a tierra reducirá el riesgo de choque eléctrico al proporcionar una vía de menor resistencia para la corriente eléctrica. Esta lavadora viene equipada con un cable eléctrico que tiene un conductor de conexión a tierra del equipo y un enchufe con conexión a tierra. El enchufe debe conectarse en un contacto de pared apropiado que haya sido debidamente instalado y conectado a tierra de conformidad con todos los códigos y ordenanzas locales.

**ADVERTENCIA:** La conexión incorrecta de la terminal de conexión a tierra del equipo puede ocasionar un riesgo de choque eléctrico. Consulte con un electricista o técnico en reparaciones calificado si tiene duda alguna en cuanto a la conexión a tierra correcta del electrodoméstico.

No modifique el enchufe provisto con el electrodoméstico. Si éste no encaja en el contacto de pared, pida a un electricista calificado que le instale un contacto de pared apropiado.

#### **Para una lavadora con contacto eléctrico permanente:**

Esta lavadora debe conectarse a un metal puesta a tierra, un sistema con cableado permanente a tierra o conectarse a un equipo cuyo suministro incluya una terminal de tierra.

# INSTRUCCIONES DE INSTALACIÓN

## Eliminación del sistema de transporte

### ⚠ ADVERTENCIA

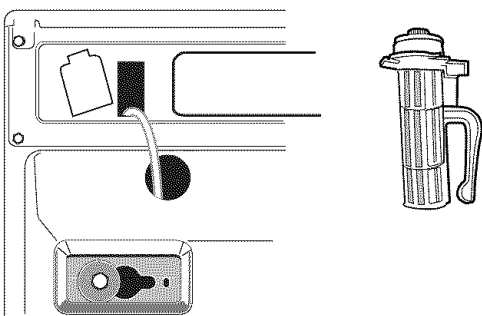
#### Peligro de Peso Excesivo

Use dos o más personas para mover e instalar la lavadora.

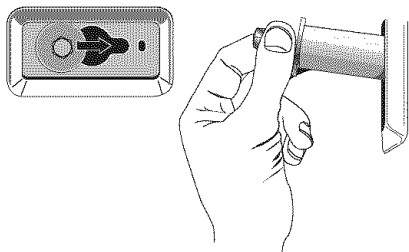
No seguir esta instrucción puede ocasionar una lesión en la espalda u otro tipo de lesiones.

**IMPORTANTE:** Coloque la lavadora de modo que la parte posterior de la misma esté aproximadamente a 3 pies (90 cm) de distancia de su ubicación final.

Hay 4 pernos azules en el panel posterior de la lavadora que sostienen el sistema de suspensión durante el transporte. Estos pernos también retienen el cable de suministro de energía dentro de la lavadora hasta que se quiten los pernos.



1. Utilice una llave de tuercas de 13 mm para aflojar cada uno de los pernos.
2. Una vez que el perno esté flojo, muévelo hacia el centro del orificio y jálalo hacia fuera por completo, incluyendo el espaciador de plástico que cubre el perno.

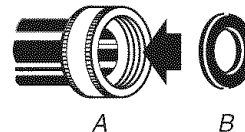


3. Una vez que se hayan quitado los 4 pernos, descarte los pernos y los espaciadores. Luego retire el cable de suministro de energía por la abertura del panel trasero y cierre el orificio con la tapa adjunta.
4. Cierre los orificios de los pernos con los 4 tapones para orificios de pernos de transporte.

**NOTA:** Llame a su centro de servicio más cercano si la lavadora se va a transportar unos días más tarde. Para prevenir daños estructurales y de suspensión, su máquina debe estar debidamente preparada para ser nuevamente ubicada por un técnico certificado.

## Conexión de las mangueras de entrada

Inserte nuevas arandelas planas (suministradas) en cada extremo de las mangueras de entrada. Asiente firmemente las arandelas en los acoplamientos.

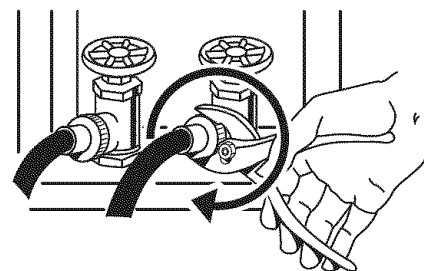


A. Acoplamiento  
B. Arandela

## Conecte las mangueras de entrada a los grifos de agua

Asegúrese de que el tambor de la lavadora esté vacío.

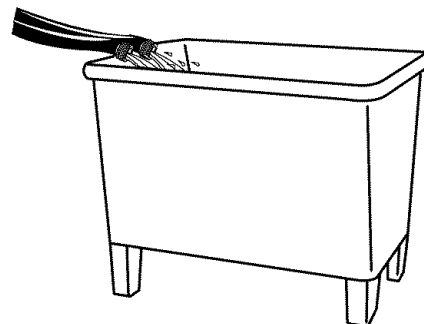
1. Sujete una manguera al grifo de agua caliente. Atornille el acoplamiento con la mano hasta que se asiente en la arandela.
2. Sujete una manguera al grifo de agua fría. Atornille el acoplamiento con la mano hasta que se asiente en la arandela.
3. Usando los alicates, apriete los acoplamientos dos tercios de vuelta adicional.



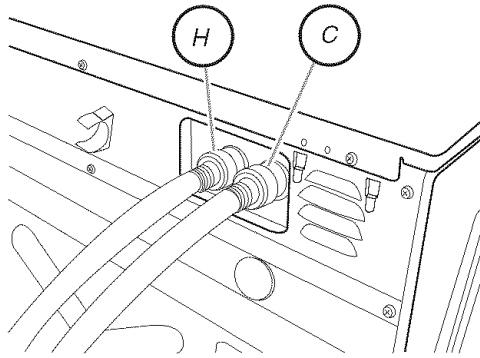
**NOTA:** No apriete demasiado ni use cinta o selladores en la válvula. Se pueden dañar las válvulas.

## Despeje las líneas de agua

- Deje correr el agua por los grifos y las mangueras de entrada en un lavadero, tubo de desagüe o cubeta para eliminar las partículas que se encuentran en las tuberías del agua, las cuales podrían obstruir los filtros de la válvula de entrada.
- Verifique la temperatura del agua para asegurarse de que la manguera de agua caliente esté conectada al grifo de agua caliente y que la manguera de agua fría esté conectada al grifo de agua fría.



## Conecte las mangueras de entrada a la lavadora



H. Entrada de agua caliente  
C. Entrada de agua fría

1. Fije la manguera de agua caliente a la válvula de entrada de agua caliente (H) de la lavadora. Atornille el acoplamiento con la mano hasta que se asiente en la arandela.
  2. Fije la manguera de agua fría al grifo de agua fría (C) de la lavadora. Atornille el acoplamiento con la mano hasta que se asiente en la arandela.
  3. Usando los alicates, apriete los acoplamientos dos tercios de vuelta adicional.
4. Abra por completo los grifos del agua y revise si hay fugas.

**NOTA:** Reemplace las mangueras de entrada después de 5 años de uso para reducir el riesgo de que fallen. Para consulta en el futuro, anote en las mangueras la fecha de instalación o la fecha de reposición de las mismas.

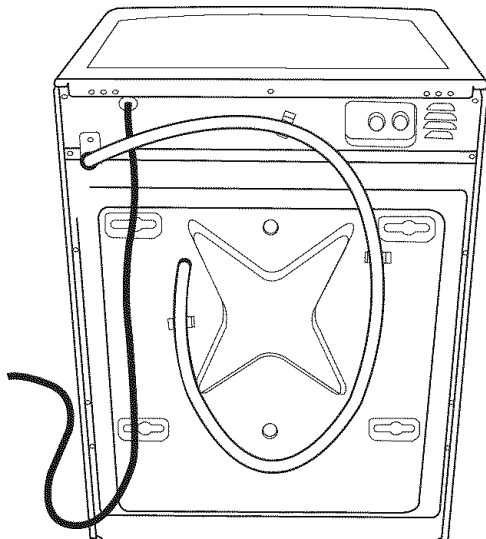
Inspeccione periódicamente y reemplace las mangueras si aparecen bultos, arrugas, cortaduras, desgaste o filtraciones de agua.

## Tendido de la manguera de desagüe

El tendido apropiado de la manguera de desagüe protege sus pisos contra daños ocasionados por filtraciones de agua. Lea y siga estas instrucciones.

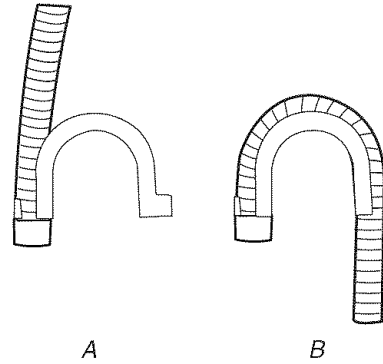
### Retire la manguera de desagüe de la lavadora

Jale suavemente la manguera de desagüe corrugada para sacarla de los sujetadores de embalaje.



## Desagüe de la tina de lavadero o desagüe de tubo vertical

Conecte el molde de la manguera de desagüe a la manguera de desagüe corrugada.



- A. Encaje cualquiera de los extremos del molde a la manguera de desagüe en el lugar donde comienza el corrugado.  
B. Doble la manguera de desagüe sobre el molde y trábela en su lugar.

### Para evitar que el agua de desagüe vuelva a su lavadora:

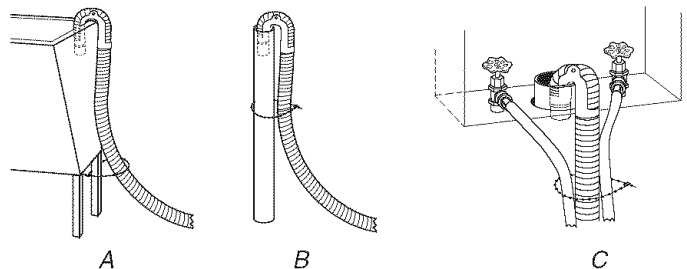
- No enderece la manguera de desagüe, y no fuerce el exceso de la manguera de desagüe dentro del tubo vertical. La manguera debe quedar asegurada pero lo suficientemente floja que permita un espacio para el aire.
- No tienda el exceso de la manguera en el fondo de la tina del lavadero.

### Desagüe por el piso

Quizás necesite piezas adicionales. Vea Desagüe por el piso en "Piezas y herramientas".

## Fijación de la manguera de desagüe

1. Coloque el cable eléctrico encima de la lavadora.
2. Mueva la lavadora a su ubicación final.
3. Ubique la manguera de desagüe en la tina del fregadero o tubo vertical, como se muestra. Vea las ilustraciones A y B.



4. Si los grifos de suministro de la lavadora y el tubo vertical de desagüe están empotrados, ponga el extremo en forma de gancho de la manguera de desagüe en el tubo vertical, como se muestra. Vea la ilustración C.

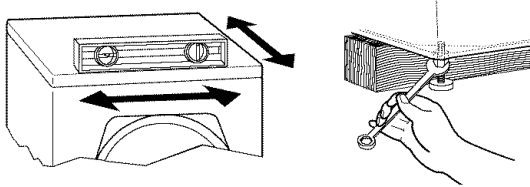
### NOTAS:

- No fuerce el exceso de la manguera de desagüe dentro de la parte posterior de la lavadora.
- Para evitar el sifonaje de agua, no selle la manguera de desagüe en el tubo vertical.

## Nivelación de la lavadora

La nivelación apropiada y el trabar las patas de su lavadora evitan el ruido y la vibración excesivos.

1. Verifique que las cuatro contratuercas de la lavadora estén apretadas con firmeza contra el gabinete de la lavadora, usando una llave de boca de 14 mm.
2. Coloque la lavadora en su ubicación final y verifique la nivelación de la misma. La lavadora no deberá moverse del frente hacia atrás, de lado a lado o diagonalmente cuando se la empuje sobre sus bordes superiores. Asegúrese de que las cuatro patas estén estables y descansando sobre el suelo.



3. Si la lavadora no está nivelada, muévala ligeramente hacia afuera antes de inclinarla hacia atrás. Primero apuntale la parte frontal con un bloque de madera, afloje las contratuercas y regule las patas según sea necesario; después apuntale la parte de atrás y regule las patas según sea necesario. Repita los pasos 1 a 3 hasta que la lavadora quede nivelada.

**IMPORTANTE:** Se deben ajustar las cuatro patas. Si no se aprietan las contratuercas contra el gabinete de la lavadora, la misma podría vibrar.

## Complete la instalación

1. Revise los requisitos eléctricos. Asegúrese de contar con la fuente de electricidad correcta y el método recomendado de conexión a tierra. Vea "Requisitos eléctricos".
2. Revise para cerciorarse de que todas las piezas estén instaladas. Si hay alguna pieza extra, vuelva a revisar todos los pasos para ver cuál se omitió.
3. Verifique si tiene todas las herramientas.
4. Deshágase de todos los materiales de embalaje o recíclelos.
5. Cerciórese de que los grifos del agua estén abiertos.
6. Verifique si hay fugas alrededor de los grifos y de las mangueras de entrada.

## ⚠ ADVERTENCIA



### Peligro de Choque Eléctrico

**Conecte a un contacto de pared de conexión a tierra de 3 terminales.**

**No quite la terminal de conexión a tierra.**

**No use un adaptador.**

**No use un cable eléctrico de extensión.**

**No seguir estas instrucciones puede ocasionar la muerte, incendio o choque eléctrico.**

7. Conecte a un contacto de pared de conexión a tierra de 3 terminales.
8. Lea "Uso de la lavadora".
9. Para probar la lavadora y limpiarla, mida  $\frac{1}{2}$  de la cantidad recomendada por el fabricante de detergente de alto rendimiento "HE" para una carga de tamaño mediano. Vierta el detergente en el depósito del detergente. Seleccione Normal/Informal (NORMAL/CASUAL) y luego seleccione Inicio (START.) Deje que la lavadora funcione durante el ciclo completo.



Use solamente un detergente de alto rendimiento (HE).

# CARACTERÍSTICAS Y BENEFICIOS

Su nueva lavadora de carga frontal de alto rendimiento fue diseñada para conservar los recursos y reducir las facturas de agua y electricidad. La lavadora ha sido diseñada para determinar cuál es la cantidad de agua necesaria para el mejor funcionamiento, y proveerla. El tiempo de funcionamiento puede ser mayor para este nuevo sistema que para una lavadora convencional.

## Controles electrónicos

Los controles electrónicos flexibles son fáciles de usar tanto sea usted principiante o experto.

## Nivel automático del agua

Al ajustarse al tamaño de la carga, esta característica permite a la lavadora usar la cantidad mínima de agua que necesita para lavar y enjuagar la ropa. Con un bajo nivel de agua, usted podrá obtener los mismos resultados con cantidades más pequeñas de productos de lavandería. Al usarse solamente la cantidad de agua requerida, la lavadora también ahorra energía. Podrá obtener los mismos resultados en el lavado para cargas de tamaño pequeño y grande.

## Cargas más voluminosas

Debido a que no tiene agitador, usted puede lavar artículos más voluminosos y más grandes, como una bolsa de dormir de tamaño promedio. También puede lavar más ropas a la vez, lo que significa menor cantidad de lavados. Usted puede lavar una almohada o un oso de peluche grande.

## Sistema de suspensión

Para reducir los problemas de la “caminata” y el “desequilibrio” de la lavadora, su nueva lavadora cuenta con:

- 2 resortes para aislar la vibración
- 4 amortiguadores en la base de la lavadora para minimizar el movimiento.

## Tambor de acero inoxidable

El tambor de acero inoxidable elimina la corrosión y permite velocidades más altas de exprimido, logrando mayor extracción del agua, que a su vez reduce el tiempo de secado.

## Motor adaptable a velocidad variable

El motor se adapta al tamaño de la carga de ropa y al ciclo seleccionado, para proporcionar las condiciones óptimas de limpieza, enjuague y escurrido. El motor puede proporcionar velocidades lentas para artículos delicados, y es lo suficientemente poderoso como para escurrir una carga promedio de ropa en un exprimido a alta velocidad.

## Velocidades de exprimido

Esta lavadora selecciona automáticamente la velocidad de exprimido según el ciclo seleccionado. Sin embargo, se puede modificar este ajuste de fábrica. Esta lavadora ofrece hasta tres opciones distintas de velocidad de exprimido.

## Optimizador térmico

El sistema de calentamiento asegura que el agua de lavado se caliente a la temperatura prefijada para los ciclos Intenso (Heavy Duty), Blancos blanquísimos (Whitest Whites) y Sanitario (Sanitary). También proporciona una “limpieza por pasos” cuando se usa el ciclo sanitario. La “limpieza por pasos” comienza el ciclo con agua tibia para quitar manchas (tales como sangre o pasto). El agua continúa calentándose para poder quitar manchas tales como aceite mecánico sucio. El ciclo sanitario también ayuda a eliminar 99,999 % de neumonía Klebsiella, pseudomonas aeruginosa y staphylococcus aureus, que son tres bacterias infecciosas comunes.

## Agregado de prendas

Esta opción está disponible en todos los ciclos de lavado, excepto en los de enjuague y exprimido (Rinse/Spin), desagüe y exprimido (Drain/Spin), y Limpiar la lavadora (Clean Washer). Cuando esta opción esté disponible al comienzo del ciclo, la luz de estado de agregar prendas (Add A Garment) se iluminará durante los primeros 7 minutos. Esta lavadora permite que durante un período de 7 minutos se puedan agregar otras prendas a una carga.

## Equilibrio dinámico

Un sistema preciso de equilibrio que permite a la lavadora alcanzar velocidades altas de exprimido. La lavadora exprime más rápido de manera que las prendas que salen de la misma estén menos húmedas que las de las máquinas tradicionales de carga superior. Además, si el Sistema de equilibrio dinámico detecta las cargas desequilibradas durante el exprimido, redistribuye las prendas para que queden uniformemente equilibradas.

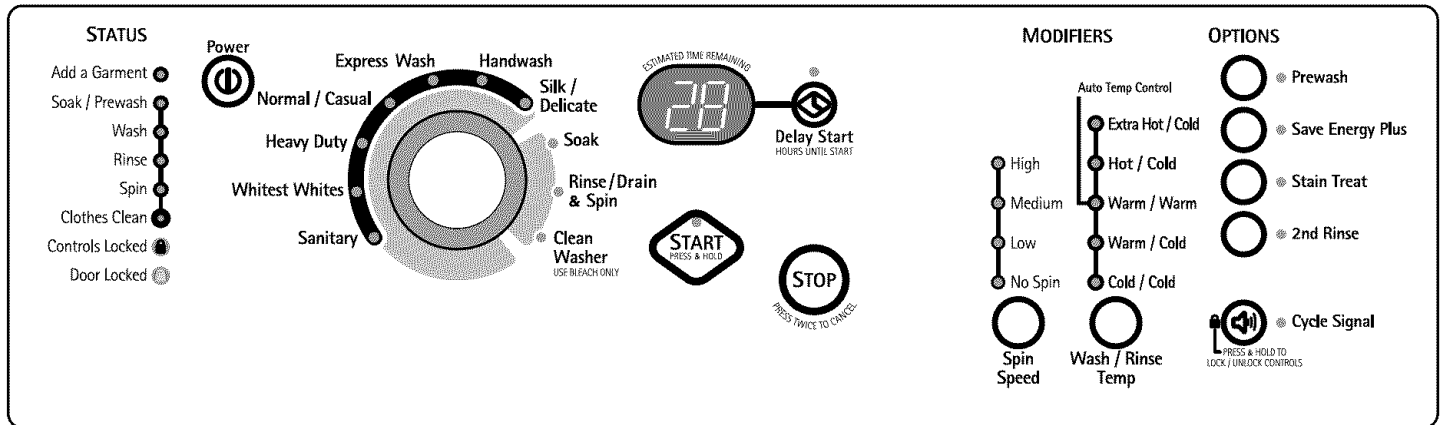
## Depósito con sistema ventajoso para el detergente

Los tres compartimientos en el depósito permiten cargar todos los productos para el lavado antes de poner la lavadora en marcha. Los productos serán agregados dentro del lavado en el tiempo óptimo para una limpieza de alto rendimiento. El sistema ventajoso para el detergente incluye el sistema de liberación de blanqueador. El detergente se agrega en el comienzo del ciclo, y el blanqueador se agrega después de que las enzimas hayan tenido la posibilidad de hacer su limpieza. El suavizante de telas se dispensa automáticamente en el ciclo de enjuague o en el segundo enjuague (2ND RINSE), si se ha seleccionado. Se puede remover fácilmente la bandeja del Depósito con sistema ventajoso para el detergente para su limpieza.




Use solamente un detergente de alto rendimiento (HE).

# USO DE LA LAVADORA



## Puesta en marcha de la lavadora

**⚠ ADVERTENCIA**



**Peligro de Incendio**

**Nunca coloque en la lavadora artículos que estén humedecidos con gasolina o cualquier otro líquido inflamable.**

**Ninguna lavadora puede eliminar completamente el aceite.**

**No seque ningún artículo que haya tenido alguna vez cualquier tipo de aceite (incluyendo aceites de cocina).**

**No seguir estas instrucciones puede ocasionar la muerte, explosión o incendio.**

**ADVERTENCIA:** A fin de reducir el riesgo de incendio, de choque eléctrico o de daños personales, lea las INSTRUCCIONES IMPORTANTES DE SEGURIDAD antes de operar este aparato.

La siguiente es una guía para el empleo de su lavadora. Consulte las secciones específicas de este manual para obtener información detallada.

No almacene productos de lavandería encima de esta lavadora. La vibración es normal durante el funcionamiento.

## Uso del detergente adecuado

Use solamente detergentes de alto rendimiento. El paquete para este tipo de detergente incluye la indicación "HE" o "Alto Rendimiento". Este sistema de lavado, junto con menos agua, creará demasiada espuma con un detergente común que no sea de alto rendimiento (HE). El uso de un detergente común probablemente derive en errores de la lavadora, tiempos de lavado más prolongados y menor rendimiento de enjuague. También puede ocasionar fallas en los componentes y moho evidente. Los detergentes de alto rendimiento HE están hechos para producir la cantidad adecuada de espuma para el mejor rendimiento. Siga las instrucciones del fabricante para determinar la cantidad de detergente que debe usar.



Use solamente un detergente de alto rendimiento (HE).

## Primer ciclo de lavado sin ropa

Antes de lavar la ropa por primera vez, elija el ciclo Normal/ Informal (Normal/Casual) y póngalo a funcionar sin ropa. Use solamente un detergente de alto rendimiento (HE). Use ½ de la cantidad recomendada por el fabricante para una carga de tamaño mediano. Este ciclo inicial sirve para asegurar la limpieza del interior de la lavadora antes de lavar la ropa.

---

## Para todos los ciclos de lavado

---

### 1. Para cargar la lavadora

Abra la puerta de la lavadora jalando la manija. Separe la ropa por color y tipo de tela. Coloque una carga de ropa separada en la lavadora. No sobrecargue la lavadora. El sobrecargar la lavadora puede causar una limpieza insatisfactoria.

- La lavadora puede llenarse por completo, pero sin apretujar la ropa. La puerta de la lavadora debe cerrarse con facilidad.
- Mezcle artículos grandes con artículos pequeños. Evite lavar de a un solo artículo. Coloque la carga uniformemente.
- Lave los artículos pequeños, tales como calcetines de niños, en bolsas de malla para prendas. Se recomienda usar más de una bolsa para prendas y que cada una de ellas se llene con la misma cantidad de material.
- Al sacar las prendas de la lavadora, de vez en cuando revise si no han quedado pequeños artículos debajo del sello/fuelle de color gris que está al frente de la tina.

2. Cierre la puerta de la lavadora empujándola con firmeza hasta que escuche el chasquido de la traba. La puerta de la lavadora permanecerá con seguro durante el ciclo de lavado.

**NOTA:** Al cabo de cualquier ciclo de lavado, se debe abrir la puerta y luego cerrarla para que pueda iniciar un nuevo ciclo. La puerta puede abrirse únicamente si se ha seleccionado parada (STOP), mientras la luz de agregado de prendas (ADD A GARMENT) está encendida o si se ha anulado el ciclo. Vea "Para anular un ciclo" en la sección "Cambio de ciclos, opciones y modificadores".

3. Abra la gaveta de depósito y agregue los productos de lavandería en los compartimientos de detergente, blanqueador, o suavizante de telas. Cierre la gaveta lentamente para evitar derrames. Vea "Uso del depósito".

**NOTA:** Use solamente detergentes de alto rendimiento (HE).

4. Encienda la lavadora seleccionando encendido (POWER). Seleccione uno de los ciclos girando el selector de ciclos. La luz indicadora del ciclo seleccionado se iluminará. Al seleccionar un ciclo de lavado, los modificadores y opciones, temperatura del agua y velocidad de exprimido prefijados para el ciclo seleccionado se encenderán. Los ajustes prefijados proporcionan el cuidado recomendado de las telas en el ciclo seleccionado. Vea "Ciclos".
5. Seleccione las opciones (OPTIONS) deseadas. No todas las opciones están disponibles con todos los ciclos. Vea "Opciones".
6. Seleccione los modificadores (MODIFIERS) deseados. No todos los modificadores están disponibles con todos los ciclos y opciones. Vea "Modificadores".
7. Si lo desea, seleccione la señal de ciclo (CYCLE SIGNAL). Esta señal es útil cuando tiene que lavar artículos que deben quitarse de la lavadora tan pronto ésta se detenga. Presione CYCLE SIGNAL una vez para encenderla. La luz indicadora se encenderá. Presiónela nuevamente para apagarla.

### 8. Para comenzar el ciclo de lavado de inmediato

Seleccione y sostenga Inicio (START) (durante 1 segundo aproximadamente).

- Si no selecciona Inicio (START) dentro de 5 minutos de haber elegido el ciclo, la lavadora se apaga automáticamente.
- Al cabo del ciclo de lavado, la luz de estado de ropa limpia (CLOTHES CLEAN) se ilumina, la puerta se destraba y se puede descargar la lavadora. La lavadora se apaga automáticamente 5 minutos después que el ciclo se complete y se apague la luz de ropa limpia (CLOTHES CLEAN). Para apagar la lavadora manualmente al cabo de un ciclo de lavado, seleccione parada (STOP) una vez.

### 9. Para el inicio diferido del ciclo de lavado

Seleccione inicio diferido (DELAY START) hasta que el tiempo diferido deseado (en horas) aparezca en la pantalla de Tiempo aproximado restante (Estimated Time Remaining). Seleccione Inicio (START). La cuenta regresiva del ciclo de lavado aparecerá en la pantalla.

**IMPORTANTE:** Al diferir un ciclo, use sólo detergentes en polvo en el compartimiento para el lavado principal, ya que los detergentes líquidos se pueden filtrar fuera del compartimiento durante el ciclo Diferido antes de que comience el ciclo.

---

## Uso del depósito

Su nueva lavadora tiene una gaveta de depósito con tres compartimientos separados para sus productos de lavandería - uno es para el detergente, otro es para el blanqueador líquido con cloro y el otro es para el suavizante líquido de telas. Los productos de lavandería se diluyen y se distribuyen automáticamente en el momento oportuno durante el ciclo de lavado, sin que usted tenga que regresar en el transcurso del ciclo de lavado para agregarlos.

Es normal que quede un poco de agua en los depósitos al término del ciclo de lavado.

No ponga productos de lavandería directamente en la tina de lavado. Siempre use los depósitos apropiados al agregar productos de lavandería.

---

## Selección del detergente adecuado

---

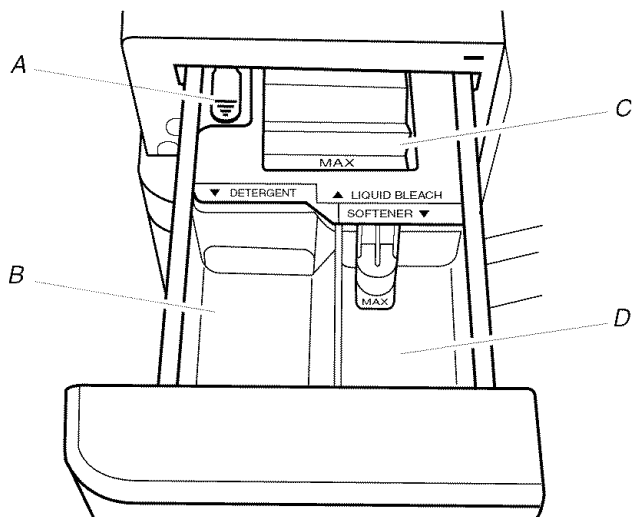
Use solamente detergentes de alto rendimiento. El paquete para este tipo de detergente incluye la indicación "HE" o "Alto Rendimiento". Este sistema de lavado, junto con menos agua, creará demasiada espuma con un detergente común que no sea de alto rendimiento (HE). El uso de un detergente común probablemente derive en errores de la lavadora, tiempos de lavado más prolongados y menor rendimiento de enjuague. También puede ocasionar fallas en los componentes y moho evidente. Los detergentes de alto rendimiento HE están hechos para producir la cantidad adecuada de espuma para el mejor rendimiento. Siga las instrucciones del fabricante para determinar la cantidad de detergente que debe usar.



Use solamente un detergente de alto rendimiento (HE).

## Para llenar los compartimientos del depósito

1. Jale la gaveta del depósito.
2. Agregue el producto de lavandería deseado en el compartimiento apropiado.
3. Empuje la gaveta del depósito despacio y completamente hacia adentro (para evitar derrames).



**Depósito**

- A. Palanca de desenganche del depósito  
B. Compartimiento del detergente para el lavado principal  
C. Compartimiento del blanqueador líquido con cloro  
D. Compartimiento del suavizante de telas

## Compartimiento del detergente para el lavado principal (Letra B en la ilustración del depósito)

Agregue detergente líquido o en polvo de alto rendimiento (HE) en este compartimiento para su ciclo de lavado principal.

- El blanqueador no decolorante en polvo puede agregarse al compartimiento de lavado principal junto con el detergente en polvo.
- Use el dispositivo para medir que viene con el detergente. No agregue más de la cantidad recomendada por el fabricante.

**NOTA:** El llenar en exceso podría causar una condición de espuma excesiva.

## Compartimiento del blanqueador con cloro (Letra C en la ilustración del depósito)

Agregue **NO MÁS DE 2/3** de taza (160 mL) del blanqueador líquido con cloro en este compartimiento. El blanqueador se diluirá y distribuirá automáticamente en el mejor momento durante el primer enjuague después del ciclo de lavado. Este compartimiento no puede diluir blanqueador en polvo.

- Use solamente blanqueador líquido con cloro en este depósito. No use este depósito para agregar blanqueador en polvo con cloro o cualquier tipo de blanqueador no decolorante a su carga de lavado.
- Siempre mida el blanqueador líquido con cloro. Use una taza medidora con pico vertedor; no lo haga al cálculo. Siga las instrucciones del fabricante para un uso seguro.
- No llene encima del nivel máximo "MAX".

**NOTA:** El sobrellenado puede ocasionar daños en las prendas.

## Compartimiento del suavizante de telas

(Letra D en la ilustración del depósito)

Agregue 1/4 de taza (60 mL) del suavizante líquido de telas en este compartimiento. El suavizante líquido de telas se dispensará automáticamente en el enjuague final o en el segundo enjuague (2ND RINSE), si se ha seleccionado.

- No llene encima del nivel máximo "MAX".

## Pausa o reanudación de la marcha

1. Para detener la lavadora en cualquier momento, seleccione parada (STOP).
2. Para reanudar el ciclo, seleccione y sostenga Inicio (START) (durante 1 segundo aproximadamente).

## Cambio de ciclos, opciones y modificadores

No todas las Opciones y Modificadores están disponibles con todos los ciclos.

Los Ciclos, Opciones y Modificadores se pueden cambiar en cualquier momento antes de seleccionar Inicio (START).

## Para detener un ciclo y seleccionar uno nuevo

1. Presione Parada (STOP) una vez.
2. Seleccione el ciclo deseado.
3. Seleccione los modificadores (MODIFIERS) y opciones (OPTIONS) deseados.
4. Seleccione y sostenga START (durante 1 segundo aproximadamente) para reanudar la marcha de la lavadora al inicio de un nuevo ciclo.

## Para anular un ciclo

1. Presione Parada (STOP) dos veces.
2. La lavadora se apaga, la puerta se destraba y se puede sacar la ropa.

**NOTA:** Si el nivel del agua o la temperatura están demasiado altos, la lavadora desaguará automáticamente antes de que la puerta se destrabe.

## Para cambiar Opciones o Modificadores después de que haya comenzado el ciclo

1. Seleccione STOP.
2. Seleccione el modificador (MODIFIER) u opción (OPTION) deseado. Si la opción o modificador no está disponible, la máquina sonará.
3. Seleccione y sostenga START (durante 1 segundo aproximadamente) para continuar el ciclo.

## Para escurrir la lavadora manualmente

1. Seleccione STOP.
2. Seleccione Enjuague/Desagüe y exprimido (RINSE/DRAIN & SPIN)
3. Presione el botón de segundo enjuague (2ND RINSE) para borrar la selección de la opción de segundo enjuague.
4. Seleccione y sostenga START (durante un segundo aproximadamente) para comenzar el desagüe.
5. Al cabo del exprimido, la puerta se destraba. Se puede descargar la lavadora.

## Luces de estado

Estas luces muestran en qué porción del ciclo está funcionando la lavadora. También indican cuándo puede agregar un artículo en el ciclo de lavado y cuándo los controles están bloqueados.



### Agregado de artículos (Add a garment)

Usted puede agregar artículos en la lavadora después de que el ciclo haya empezado, si la luz de estado ADD A GARMENT (Agregado de prendas) está encendida. Todos los ciclos tienen esta característica, excepto enjuague/exprimido (Rinse/Spin), desagüe/exprimido (Drain/Spin) y limpiar la lavadora (Clean Washer).

#### Para agregar artículos

1. Seleccione Parada (STOP). La puerta de la lavadora se destraba y se puede añadir artículos.
2. Para continuar el ciclo, cierre la puerta y seleccione y sostenga Inicio (START) (durante 1 segundo aproximadamente).

**NOTA:** Para agregar prendas después de que se haya terminado el período de agregar prendas (ADD A GARMENT), deberá anular el ciclo de la lavadora, agregar las prendas y comenzar un nuevo ciclo de lavado.

### Ropa limpia (Clothes Clean)

La luz de ropa limpia se enciende cuando el ciclo se ha terminado. La luz permanecerá encendida hasta que se abra la puerta.

### Cómo bloquear los controles

El Bloqueo de controles (Control Locked) evita el uso accidental de la lavadora. También puede usar la función de bloqueo de controles para evitar cambios accidentales del ciclo o de opciones durante un ciclo. Cuando Bloqueo de controles (CONTROL LOCKED) está encendido, ningún botón podrá usarse con excepción de parada (STOP) y Encendido (POWER). Usted puede bloquear los controles mientras la lavadora se encuentre en funcionamiento.

#### Para bloquear los controles

Seleccione y sostenga la señal de ciclo (CYCLE SIGNAL) durante 3 segundos.



La luz de Bloqueo de controles (CONTROLS LOCKED) se ilumina.

#### Para desbloquear los controles

Seleccione y sostenga CYCLE SIGNAL durante 3 segundos hasta que la luz de estado de Bloqueo de controles (CONTROLS LOCKED) se apague.

## Tiempo estimado restante (Estimated Time Remaining)

Los tiempos del ciclo varían automáticamente según la presión de agua, temperatura del agua, detergente y carga de ropa. El tiempo del ciclo se alargará si hay demasiada espuma o si la carga no está balanceada. La rutina de espuma quita la espuma excedente y asegura el enjuague apropiado de sus prendas. Las opciones que usted seleccionó también afectarán los tiempos del ciclo que se muestran en la tabla de los Ajustes prefijados de ciclos. En condiciones extremas, el tiempo estimado restante puede cambiar hasta en 30 minutos. Durante la rutina de desequilibrio, el tiempo en la pantalla puede hacer una pausa hasta que se complete esta actividad; luego reanuda el resto del ciclo.

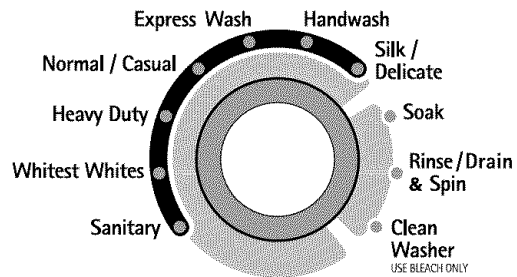
### Bloqueo de la puerta (Door Locked)

Cuando la luz de estado se enciende, la puerta está bloqueada.

## Ciclos

### Ciclos de lavado

Elija los ciclos de lavado girando la perilla del selector de ciclos hacia el ciclo deseado. La luz indicadora del ciclo seleccionado se iluminará. Cada ciclo fue diseñado para distintos tipos de tela y niveles de suciedad.



- Cada ciclo tiene un tiempo de ciclo, temperatura de lavado/enjuague (WASH/RINSE TEMP), velocidad de exprimido (SPIN SPEED) prefijados y puede tener opciones y modificadores prefijados. Los ajustes prefijados proporcionan el cuidado recomendado de las telas en el ciclo seleccionado.
- Los ajustes prefijados pueden cambiarse en cualquier momento antes de seleccionar Inicio (START). No todas las Opciones y Modificadores están disponibles con todos los ciclos. Para cambiar los ajustes después de que haya comenzado el ciclo, seleccione Parada (STOP), luego seleccione los ajustes deseados. Seleccione y sostenga START (durante un segundo aproximadamente) para continuar el ciclo.

## Ajustes prefijados de ciclos

Cada ciclo tiene los siguientes ajustes prefijados: Tiempo del ciclo (Cycle Time), Temperatura del agua (Water Temp) y Velocidad de exprimido (Spin Speed). Los ajustes prefijados proporcionan el cuidado recomendado de las telas en el ciclo seleccionado. Vea el cuadro.

Ciclo	Tiempo estimado* (hora:min)	Temperatura de Lavado/ Enjuague	Velocidad de exprimido
Sanitario (Sanitary)	3H	Extra caliente (Extra Hot)	Alta (High)
Blancos blanquísimos (Whitest Whites)	2H	Caliente (Hot)	Alta
Intenso (Heavy Duty)	2H	Caliente	Alta
Normal/ Informal (Normal/ Casual)	:56	Tibia (Warm)	Alta
Lavado expreso (Express Wash) (2 a 3 artículos)	:30	Tibia	Alta
Lavado a mano (Handwash)	:37	Fría (Cold)	Baja (Low)
Seda/Ropa delicada (Silk/ Delicate)	:34	Fría	Baja
Remojo (Soak)	:30	Tibia	No disponible
Enjuague/ Desagüe y exprimido (Rinse/Drain & Spin)	:26	Fría	Alta
Desagüe y exprimido (Drain & Spin)	:14	No disponible	Alta
Limpiar la lavadora (Clean Washer)	:56	No disponible	Alta

\* Los tiempos del ciclo varían automáticamente basado en la presión de agua, temperatura del agua, detergente y carga de ropa. El tiempo del ciclo se alargará si hay demasiada espuma o si la carga no está balanceada.

## Sanitario (Sanitary)

Use este ciclo para lavar telas que no destiñen, con suciedad profunda. Este ciclo combina una temperatura de agua muy caliente y agitación de alta velocidad para ayudar a eliminar la suciedad y manchas profundas. Es recomendable fijar el calentador del agua en 120°F (49°C) para asegurar un rendimiento adecuado durante este ciclo.

## Blancos blanquísimos (Whitest Whites)

Este ciclo ha sido diseñado especialmente para el lavado de telas blancas sucias con el agregado del blanqueador. Las temperaturas calientes de lavado aseguran la óptima acción del blanqueador. El enjuague adicional proporciona un rendimiento óptimo de enjuague para evitar residuos de cloro en su ropa. Este ciclo combina una agitación veloz, un tiempo de lavado más prolongado y un exprimido a velocidad alta para acortar el tiempo de secado.

## Intenso (Heavy Duty)

Use este ciclo para lavar telas resistentes que no destiñen y prendas con suciedad intensa. Este ciclo combina una agitación veloz, un tiempo de lavado más prolongado y un exprimido a velocidad alta para acortar los tiempos de secado.

## Normal/ Informal (Normal/ Casual)

Use este ciclo para lavar telas inarrugables como camisas deportivas, blusas, ropa de negocios informal, fibras mixtas de planchado permanente, fibras de algodón y de lino y fibras sintéticas. Este ciclo combina una agitación a velocidad media, exprimido a alta velocidad y un proceso de enfriamiento de la ropa para reducir la formación de arrugas.

## Lavado expreso (Express Wash)

Use este ciclo para lavar cargas pequeñas de 2 a 3 prendas con suciedad ligera que necesite de prisa. Este ciclo combina una agitación veloz, un tiempo de lavado corto y un exprimido a velocidad extra alta para acortar el tiempo de secado. El lavar cargas grandes dará como resultado que la máquina aumente el tiempo de lavado.

## Lavado a mano (Handwash)

Use este ciclo para lavar prendas de lana de lavado a mano y de cuidado especial. (Verifique las instrucciones de la etiqueta para asegurarse de que la prenda es lavable.) De manera similar en que se lavan las prendas a mano en el lavadero, la acción de lavado de este ciclo combina períodos de rotación a velocidad extra baja y remojo. Las bajas velocidades de exprimido minimizan la formación de arrugas.

- Use bolsas de malla para prendas cuando lave ropa interior como brasiers con alambre, artículos con tiras y pequeñas prendas como medias.

## Seda/Ropa delicada (Silk/ Delicate)

Use este ciclo para lavar prendas de seda y ultradelicadas lavables. (Verifique las instrucciones de la etiqueta para asegurarse de que la prenda es lavable.) Este ciclo agita con cuidado y escurre sin exprimir para un lavado delicado de las prendas y para reducir la formación de arrugas. Las prendas tendrán una cantidad mayor de agua al final de este ciclo, ya que no hay acción de exprimido.

- Use bolsas de malla para prendas, según sea necesario.

## Remojo (Soak)

Use el ciclo de remojo para quitar manchas pequeñas de suciedades agarradas a las telas. Este ciclo proporciona un tiempo de remojo con agua tibia o fría seguido por el desagüe. Agua extra, una fase corta de agitación para la distribución equitativa de la ropa, y un tiempo de remojo sin movimiento del tambor, ayudan a mejorar la remoción de las manchas rebeldes. El desagüe sin exprimido asegura un tratamiento suave hasta para los artículos delicados.

### Para usar el ciclo de remojo:

- Agregue el detergente sólo en el compartimiento de detergente principal de la gaveta del depósito.
- Seleccione remojo (SOAK).
- Elija la temperatura de remojo deseada.
- Seleccione y sostenga Inicio (START) (durante un segundo aproximadamente).
- Cuando haya terminado el ciclo de remojo, deberá comenzar un ciclo de lavado para completar la limpieza de las prendas.

## Enjuague/Desagüe y exprimido (Rinse/Drain & Spin)

Use este ciclo para enjuagar, desaguar y exprimir su carga de ropa. Este ciclo combina una agitación veloz y un exprimido a velocidad alta. Si lo desea, puede reducir la velocidad de exprimido seleccionando la velocidad que desee del modificador SPIN SPEED (Velocidad de exprimido).

### El ciclo de Enjuague/Desagüe y exprimido (Rinse/Drain & Spin) es útil para

- Cargas que necesitan únicamente enjuague.
- Agregar suavizante de telas a una carga utilizando el depósito del suavizante de telas.

## Desagüe y exprimido (Drain & Spin)

Use este ciclo para vaciar el agua de la lavadora o para escurrir y exprimir la ropa. La velocidad de exprimido ha sido prefijada en alta. Si lo desea, puede reducir la velocidad de exprimido seleccionando la velocidad que desee del modificador SPIN SPEED (Velocidad de exprimido).

**NOTA:** Las cargas de telas sintéticas, fibras delicadas, de lavado a mano y de lana se deben escurrir sin exprimir o con un exprimido a baja velocidad para evitar deformaciones de las telas.

### Para usar el ajuste de desagüe y exprimido (DRAIN & SPIN)

- Seleccione el ciclo de Enjuague/Desagüe y exprimido (RINSE/DRAIN & SPIN).
- Presione el botón de segundo enjuague (2ND RINSE) para borrar la selección de la opción de enjuague.
- Presione START.

## Limpiar la lavadora (Clean Washer)

Use el ciclo de limpiar la lavadora (Clean Washer) una vez por mes para mantener el interior de su lavadora fresco y limpio. Este ciclo utiliza un nivel más alto de agua junto con blanqueador líquido con cloro para limpiar meticulosamente el interior de su lavadora. Vea “Cómo limpiar su lavadora”.

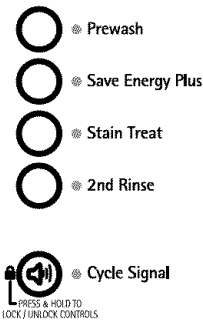
**IMPORTANTE:** No coloque prendas ni otros artículos en la lavadora durante el ciclo de limpieza de la lavadora. Use este ciclo con el tambor de lavado vacío.

## Sonidos normales

Como ocurre con cualquier producto nuevo, usted escuchará sonidos a los cuales no está acostumbrado. Podrá oír varios sonidos al trabar o destrabar la puerta, y durante el proceso de lavado, enjuague o exprimido. Durante los intervalos entre las etapas de lavado, habrá pausas momentáneas. Usted escuchará el rociado y chapoteo del agua durante los ciclos de lavado y enjuague. Estos nuevos sonidos y pausas son parte del funcionamiento normal de la lavadora. Vea “Solución de problemas”.

## Opciones

Usted puede personalizar su lavado al agregar opciones a sus selecciones de ciclo. Puede agregar o cambiar una opción después del inicio del ciclo en cualquier momento antes de que comience la opción seleccionada. No todas las opciones están disponibles con todos los ciclos.



- Vea la sección “Guía para el lavado” para obtener un cuadro global de las opciones posibles en cada selección de ciclo de lavado.
- Si una determinada opción está disponible en el ciclo seleccionado, la luz de esa opción se iluminará al ser seleccionada.
- Si una determinada opción no está disponible en el ciclo seleccionado, se escuchará una señal audible corta y la luz para esa opción no se iluminará al ser seleccionada.

## Prelavado (Prewash)

Use esta opción para cargas de artículos con suciedad profunda que necesitan tratamiento previo.

- Agregue el detergente en el compartimiento de lavado principal (Main Wash) de la gaveta del depósito.

Esta opción añade tiempo de rotación antes de seleccionar el ciclo principal. La lavadora continúa automáticamente del prelavado al ciclo de lavado principal.

## Ahorro extra de energía (Save Energy Plus)

La opción de ahorro extra de energía (Save Energy Plus) le permite incrementar el ahorro de energía en los ciclos con temperaturas más altas (Blancos blanquísimos y Lavado intenso) a la vez que mantiene el rendimiento de lavado prolongando el tiempo de lavado por solamente 16 minutos.

**NOTA:** Para un mejor rendimiento de energía, use el ciclo Normal/Informal (Normal/Casual).

## Tratamiento de manchas (Stain Treat)

Use esta opción para cargas con suciedad profunda que necesiten un tratamiento especial de manchas. Al seleccionar Tratamiento de manchas (Stain Treat), la temperatura del agua del ciclo de lavado seleccionado se fija automáticamente en tibia. Luego el agua se calentará hasta alcanzar el nivel de caliente para ayudar a eliminar las manchas. Esta opción proporcionará la eliminación óptima de manchas orgánicas como la sangre.

### NOTAS:

- Si se selecciona Stain Treat con el ciclo sanitario (Sanitary), el agua alcanzará una temperatura muy caliente.
- Las opciones de tratamiento de manchas (Stain Treat) y ahorro de energía (Energy Saver) no se pueden seleccionar en el mismo ciclo.

## Segundo enjuague (2nd Rinse)

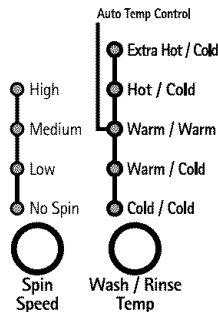
Se puede utilizar un segundo enjuague para ayudar en la eliminación de residuos del detergente o del blanqueador que haya quedado en las prendas. Esta opción proporciona un enjuague adicional con la misma temperatura del agua del enjuague normal.

## Señal de ciclo (Cycle Signal)

Esta señal es útil cuando tiene que quitar artículos de la lavadora tan pronto como ésta se detenga. Seleccione encendido (ON) o apagado (OFF).

## Modificadores

Los ajustes prefijados de los ciclos de temperatura de lavado/enjuague (Wash/Rinse Temperature) y velocidad de exprimido (Spin Speed) pueden modificarse. Usted puede cambiar el modificador después del inicio del ciclo en cualquier momento antes de que comience el modificador seleccionado. No todos los modificadores están disponibles con todos los ciclos y opciones.



- Para cambiar la velocidad de exprimido, seleccione el botón de velocidad de exprimido (SPIN SPEED) hasta que el ajuste deseado se ilumine.
- Para cambiar la temperatura del agua, seleccione el botón de temperatura de lavado/enjuague (WATER/RINSE TEMP) hasta que el ajuste deseado se ilumine.

## Temperatura de Lavado/Enjuague (Wash/Rinse Temp)

Seleccione una temperatura de agua basado en el tipo de carga que esté lavando. Use el agua de lavado más caliente que las telas puedan resistir. Siga las instrucciones de la etiqueta de las prendas.

Los enjuagues tibios dejan las cargas más secas que los enjuagues fríos. Los enjuagues tibios aumentan la formación de arrugas. En climas fríos, el enjuague tibio hace que la ropa sea más cómoda para manejar. Los enjuagues fríos ahorran energía.

### Guía de la temperatura

Temperatura del agua de lavado	Telas sugeridas
<b>Extra caliente (EXTRA HOT)</b>	Telas resistentes que no destiñen Suciedad profunda
<b>Caliente (HOT)</b>	Ropa blanca y de color pastel Suciedad profunda
<b>Tibia (WARM)</b>	Colores brillantes Suciedad entre moderada y ligera
<b>Fría (COLD)</b>	Colores que destiñen o que se opacan Suciedad ligera

En temperaturas de agua inferiores a 60°F (15,6°C), los detergentes no se disuelven bien. Además puede resultar difícil quitar la suciedad.

### Control automático de temperatura

El CAT (Control automático de la temperatura) detecta y mantiene electrónicamente una temperatura de agua uniforme. El CAT regula el agua fría y caliente que ingresa. El CAT se enciende automáticamente (ON) al seleccionar un ciclo. Vea Ajustes prefijados de ciclos en la sección "Ciclos".

- El CAT funciona en la temperatura de lavado con los ajustes Extra Caliente/Frío (Extra Hot/Cold), Caliente/Frío (Hot/cold), Tibia/Tibia (Warm/Warm), Tibia/Frío (Warm/Cold) y Frío/Frío (Cold/Cold).
- El CAT funciona para la temperatura de enjuague con el ajuste Tibia/tibia (Warm/Warm).
- Las temperaturas de los enjuagues con agua fría dependen de la temperatura del agua fría de su grifo.

## Guía para el lavado

Consulte este cuadro para obtener sugerencias sobre tipos de cargas y sus ciclos correspondientes. A la derecha se detallan las opciones disponibles para cada uno de estos ciclos de lavado.

CICLO	TIPO DE CARGA SUGERIDA	OPCIONES DISPONIBLES					
		Inicio diferido (Delay Start)	Prelavado (Prewash)	Ahorro extra de energía (Save Energy Plus)	Tratamiento de manchas (Stain Treat)	Segundo enjuague (2nd Rinse)	Señal de ciclo (Cycle Signal)
<b>Sanitario (Sanitary)</b>	Ropa interior, toallas, ropa de trabajo, pañales, etc. con suciedad profunda	✓			✓	✓	✓
<b>Blancos blanquísimos (Whitest Whites)</b>	Telas blancas sucias	✓	✓	✓	✓	✓	✓
<b>Intenso (Heavy Duty)</b>	Ropa interior, toallas, camisas, etc. de algodón con suciedad intensa	✓	✓	✓	✓	✓	✓
<b>Normal/ Informal (Normal/ Casual)</b>	Blusas, camisas, overols, etc. de poliéster, náilon, algodón, lino o mezclas de algodón con suciedad normal	✓	✓		✓	✓	✓
<b>Lavado expreso (Express Wash)</b>	Cargas pequeñas de 2 a 3 prendas de algodón y mezclas de poliéster, náilon y algodón con suciedad ligera.	✓				✓	✓
<b>Lavado a mano (Handwash)</b>	Ropa de lana con un acabado sin fieltro y artículos de cuidado especial cuya etiqueta indica que se pueden lavar en la lavadora.	✓					✓
<b>Seda/Ropa delicada (Silk/ Delicate)</b>	Telas de seda o delicadas cuya etiqueta indica que se pueden lavar en lavadora.	✓				✓	✓
<b>Remojo (Soak)</b>	Todas las cargas	✓				✓	✓
<b>Enjuague/ Desagüe y exprimido (Rinse/Drain &amp; Spin)</b>	Todas las cargas	✓					✓
<b>Limpiar la lavadora (Clean Washer)</b>	Sin ropa	✓					✓

# CONSEJOS DE LAVANDERÍA

## Preparación de la ropa para lavar

Siga estas recomendaciones para ayudarle a prolongar la vida de sus prendas.

- Use solamente detergentes de alto rendimiento. El paquete para este tipo de detergente incluye la indicación "HE" o "Alto Rendimiento". Con este sistema de lavado y el menor uso de agua, se formará demasiada espuma si se utiliza un detergente común que no sea de Alto Rendimiento. El uso de un detergente común probablemente derive en errores de la lavadora, tiempos de ciclo más prolongados, menor rendimiento de enjuague, así como también en fallas de los componentes y evidente formación de moho. Los detergentes de Alto Rendimiento HE están hechos para producir la cantidad adecuada de espuma para el mejor rendimiento. Siga las instrucciones del fabricante para determinar la cantidad de detergente que debe usar.



Use solamente un detergente de alto rendimiento (HE).

- Cierre los zípers, broches de presión y corchetes para evitar que enganchen otros artículos. Quite alfileres, hebillas y demás objetos duros para evitar que rayen el interior de la lavadora. Quite todo adorno y ornamento que no sea lavable.
- Vacíe los bolsillos y vuélvalos al revés.
- Doble los puños y limpie con un cepillo la pelusa y la suciedad.
- Vuelva al revés las prendas de tejido sintético para evitar que se llenen de pelusas.
- Ate los cordones y fajas de modo que no se enreden.
- Remiende lo que esté roto así como las costuras y dobladillos flojos.
- Trate las manchas y suciedades.
- Las prendas manchadas o mojadas deberán lavarse con prontitud para obtener mejores resultados.
- Mezcle artículos grandes y pequeños, evite lavar artículos separados y cargue de modo uniforme.
- Lave los artículos pequeños, tales como calcetines de niños, en bolsas de malla para prendas. Para crear una carga balanceada, se recomienda usar más de una bolsa para prendas y que cada una de ellas se llene con la misma cantidad de material.

**NOTA:** Si solamente va a lavar prendas pequeñas, se recomienda usar más de una bolsa para prendas y que cada una de ellas se llene con la misma cantidad de material.

## Selección de la ropa

- Separe las prendas con suciedad profunda de las que están ligeramente sucias, aún cuando éstas normalmente se lavarían juntas. Separe las prendas que sueltan pelusa (toallas, felpilla) de las que atraen pelusa (pana, artículos sintéticos y de planchado permanente). Siempre que sea posible, vuelva al revés las prendas que sueltan pelusa.
- Separe los colores oscuros de los colores claros, los artículos no desteñibles de los que sí lo son.
- Separe por tipo de tela y estructura (prendas fuertes de algodón, tejidos de punto y prendas finas).

## Cómo descargar

- Saque la ropa de la lavadora después de que se haya completado el ciclo. Los objetos metálicos como zípers, broches a presión y hebillas pueden herrumbrarse si se dejan en la lavadora por largo tiempo.
- Al sacar las prendas de la lavadora, de vez en cuando revise si no han quedado pequeños artículos debajo del sello de color gris que está al frente de la tina.

## Cómo cargar

### Sugerencias para cargar

#### Ropa pesada de trabajo

2 pantalones	3 pantalones de tela de mezclilla
3 camisas	1 overol

#### Carga mixta

2 sábanas dobles o 1 sábana tamaño extra	6 pantalones cortos
4 fundas	2 camisas
6 camisetas	2 blusas
	6 pañuelos de mano

#### Toallas

8 toallas de baño	10 toallas faciales
8 toallas de mano	1 tapete de baño

#### Artículos delicados



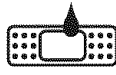







3 camisolas	2 sostenes
4 fondos	2 camisones
4 pantaletas	

#### Ciclo de lavado expreso (EXPRESS WASH)

(de 2 a 3 prendas)

2 camisas de vestir
1 par de pantalones de vestir

## Guía para la eliminación de manchas

Mancha	Use blanqueador líquido con cloro o no decolorante	Use en el ciclo de lavado sugerido	Mancha	Use blanqueador líquido con cloro o no decolorante	Use en el ciclo de lavado sugerido
 Tinta	✓	Blancos blanquísimos (Whitest Whites)	 Pasto	✓	Blancos blanquísimos (Whitest Whites)
 Sangre	✓	Fría (Cold) o tibia (Warm) Prelavado (Prewash) Normal/Informal (Normal/Casual)	 Productos derivados de tomate	✓	Blancos blanquísimos (Whitest Whites)
 Café/ Chocolate	✓	Tibia/Remojo (Warm/Soak) Prelavado (Prewash) Blancos blanquísimos (Whitest Whites)	 Barro	✓	Tibia/Remojo (Warm/Soak) Prelavado (Prewash) Blancos blanquísimos (Whitest Whites)
 Cosméticos		Intenso (Heavy Duty)	 Desodorantes		Intenso (Heavy Duty)
 Aceite de motor sucio		Tibia/Remojo (Warm/Soak) Prelavado (Prewash) Intenso (Heavy Duty)	 Marcas alrededor del cuello	✓	Normal/Informal (Normal/Casual)

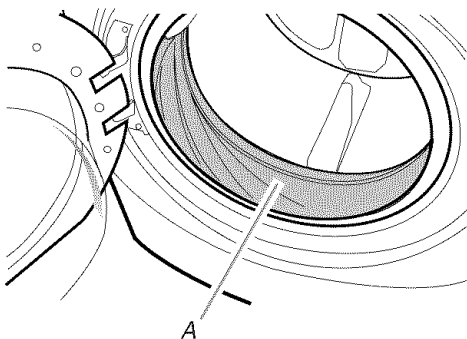
No seque con rotación los artículos con suciedad o manchas. El calor puede fijar las manchas permanentemente.

# CUIDADO DE LA LAVADORA

## Cómo limpiar su lavadora

### Limpieza del sello/fuelle de la puerta

1. Abra la puerta de la lavadora y quite cualquier ropa o artículo que estuviera dentro de la misma.
2. Inspeccione el sello/fuelle gris que se encuentra entre la abertura de la puerta y la canasta para detectar si hay áreas manchadas. Empuje el sello/fuelle hacia atrás para inspeccionar todas las áreas debajo del mismo y controle si hay objetos extraños.



A. Sello/Fuelle

3. Si se encuentran áreas manchadas en el sello/fuelle, límpielas usando el siguiente procedimiento.
  - a) Mezcle una solución diluida utilizando  $\frac{3}{4}$  de taza (177 mL) de blanqueador líquido con cloro y 1 gal. (3,8 L) de agua tibia del grifo.
  - b) Limpie el área del sello/fuelle con la solución diluida y un paño húmedo.
  - c) Déjelas reposar durante 5 minutos.
  - d) Limpie el área meticulosamente con un paño seco y deje que el interior de la lavadora se seque al aire con la puerta abierta.

### IMPORTANTE:

- Use guantes de goma cuando limpie por períodos prolongados.
- Vea las instrucciones de uso adecuado provistas por el fabricante del blanqueador.

### Procedimiento para el mantenimiento de la lavadora

Esta lavadora tiene un ciclo especial que utiliza mayores volúmenes de agua junto con blanqueador líquido con cloro para limpiar meticulosamente el interior de su lavadora.

### NOTAS:

- Lea estas instrucciones completamente antes de comenzar el proceso de limpieza.
- Si fuera necesario, el ciclo de limpieza puede ser interrumpido al presionar el botón de parada (STOP). Esto detendrá el ciclo. Se debe poner en un ciclo de Enjuague/Desagüe y exprimido (RINSE/DRAIN & SPIN) para enjuagar meticulosamente el blanqueador que haya quedado en la lavadora. No seguir esta instrucción causará daños a la lavadora y a la ropa que agregue en el próximo ciclo.

### Comience el procedimiento

1. Abra la puerta de la lavadora y quite cualquier ropa o artículo que estuviera dentro de la misma.
2. Cerciórese de que la puerta esté cerrada.
3. Abra la gaveta del depósito y agregue inmediatamente  $\frac{2}{3}$  taza (160 mL) de blanqueador líquido con cloro en el compartimiento del blanqueador.

**NOTA:** No agregue ningún detergente a este ciclo. Si usa más de  $\frac{2}{3}$  taza (160 mL) de blanqueador el producto podrá dañarse con el tiempo.

4. Cerciórese de que el cajón del depósito esté cerrado.
5. Seleccione el ciclo de limpiar la lavadora (CLEAN WASHER).
6. Presione Inicio (START).

**NOTA:** La canasta rotará, después la puerta se destrabará, se trabará nuevamente y después continuará el ciclo.

- La máquina no se llenará pero la canasta rotará mientras la lavadora hace un ciclo corto de detección. Esto tardará aproximadamente 3 minutos.
7. El ciclo determinará si hay ropa u otros artículos en la lavadora.
    - a) Si no se detectan artículos en la lavadora, ésta procederá al paso 8.
    - b) Si se detecta algún artículo en la lavadora, todas las luces de ciclo destellarán, aparecerán en la pantalla "rL" o "F-34" y las luces de lavado (WASH) y Bloqueo de controles (CONTROLS LOCKED) permanecerán encendidas. La puerta se desbloqueará.
      - Presione parada (STOP) para anular el código de falla. Después repita los pasos 1, 2 y 6 para comenzar nuevamente el ciclo.
  8. Una vez que haya comenzado el ciclo, deje que finalice.
  9. Una vez que haya finalizado el ciclo, deje la puerta levemente abierta para que haya una mejor ventilación y secado del interior de la lavadora.

### Siempre haga lo siguiente para mantener la frescura de la lavadora

- Use solamente un detergente de alto rendimiento (HE).
- Deje la puerta levemente abierta después de cada ciclo para permitir una mejor ventilación y secado del interior de la lavadora.
- Repita mensualmente el procedimiento de limpieza usando  $\frac{2}{3}$  de taza (160 mL) de blanqueador líquido con cloro.
- Si el procedimiento no mejora suficientemente la frescura de la máquina, sírvase evaluar su instalación y las condiciones de uso para detectar otras causas.

### Limpieza externa

Use un paño suave y húmedo o una esponja para limpiar cualquier derrame. De vez en cuando, limpie el exterior de su lavadora para que se vea como nueva. Use jabón suave y agua. No use productos abrasivos.

## Limpieza de la gaveta del depósito

La gaveta del depósito es desmontable para facilitar la limpieza.

1. Destrahe la gaveta del depósito presionando la palanca de desenganche. Vea "Uso del depósito". Quite la gaveta.
2. Quite los insertos (el sifón de los compartimientos del suavizante y del blanqueador).
3. Lave las piezas en el agua del grifo.  
**NOTA:** No lave los componentes en la lavavajillas.
4. Vuelva a colocar los insertos y coloque nuevamente el depósito en la gaveta.

## Mangueras de admisión de agua

Reemplace las mangueras de entrada después de cinco años para reducir el riesgo de fallas de las mismas. Revise periódicamente y cambie las mangueras de entrada si se hallan protuberancias, torceduras, cortes, desgaste o pérdidas de agua.

Cuando reemplace las mangueras de entrada del agua, anote la fecha de reposición.

## Cuidado para las vacaciones, el almacenaje o en caso de mudanza

Instale y guarde su lavadora en un lugar donde no se congele. Debido a que queda un poco de agua en las mangueras, el congelamiento de la misma podría dañar su lavadora. Si va a guardar o trasladar su lavadora durante una temporada de invierno riguroso, acondiciónela para el invierno.

### Cuidado durante las vacaciones y períodos sin uso:

Ponga a funcionar su lavadora únicamente cuando esté en casa. Si va a salir de vacaciones o no va a usar la lavadora durante un período prolongado de tiempo usted debe:

- Desenchufar la lavadora o desconectar el suministro de energía.
- Interrumpir el suministro de agua a la lavadora. Esto ayuda a evitar inundaciones accidentales (debido a aumentos en la presión del agua) en ausencia suya.
- Abra ligeramente la puerta para proporcionar ventilación.

## Para acondicionar la lavadora para el invierno:

1. Vierta 1 cuarto (1 L) de anticongelante tipo R.V. en el tambor.
2. Ponga la lavadora en un ciclo de desagüe y exprimido (Drain & Spin).
3. Desenchufe la lavadora o desconecte el suministro de energía.
4. Cierre ambos grifos de agua.
5. Desconecte las mangueras de entrada del agua de los grifos y elimine el agua.

## Para volver a usar la lavadora:

1. Deje correr agua por las tuberías.
2. Vuelva a conectar las mangueras de entrada del agua a los grifos.
3. Abra ambos grifos de agua.

## ⚠ ADVERTENCIA



### Peligro de Choque Eléctrico

**Conecte a un contacto de pared de conexión a tierra de 3 terminales.**

**No quite la terminal de conexión a tierra.**

**No use un adaptador.**

**No use un cable eléctrico de extensión.**

**No seguir estas instrucciones puede ocasionar la muerte, incendio o choque eléctrico.**

4. Enchufe la lavadora o reconecte el suministro de energía.
5. Ponga la lavadora a funcionar en el ciclo normal/informal (Normal/Casual) con un ½ de la cantidad de detergente de alto rendimiento HE recomendada por el fabricante para una carga de tamaño mediano, para limpiar la lavadora y eliminar el anticongelante, de haberlo usado.

## Para transportar la lavadora:

1. Si va a mover la lavadora durante una temporada de invierno riguroso, coloque 1 cuarto (1 L) de anticongelante tipo R.V. en el tambor. Ponga la lavadora en un ciclo de desagüe y exprimido (Drain & Spin).
2. Desenchufe el cable eléctrico.
3. Desconecte la manguera de desagüe del sistema de desagüe y fíjela a los ganchos del panel posterior.
4. Cierre ambos grifos de agua.
5. Desconecte las mangueras de entrada del agua de los grifos, luego elimine el agua de las mangueras y fíjelas al panel posterior de la lavadora.
6. **IMPORTANTE:** Llame para solicitar servicio. No vuelva a usar los pernos de transporte. La unidad debe ser transportada en la posición vertical. Para prevenir daños estructurales y de suspensión, su máquina debe estar debidamente preparada para ser nuevamente ubicada por un técnico certificado.

## Para volver a instalar la lavadora

1. Siga las "Instrucciones de instalación" para ubicar, nivelar y conectar la lavadora.
2. Ponga la lavadora a funcionar en el ciclo normal/informal (Normal/Casual) con un ½ de la cantidad de detergente de alto rendimiento HE recomendada por el fabricante para una carga de tamaño mediano, para limpiar la lavadora y eliminar el anticongelante, de haberlo usado.

# SOLUCIÓN DE PROBLEMAS

Pruebe primero las soluciones aquí sugeridas y posiblemente se evite el costo de una visita de servicio técnico...

## Lavadora y componentes

### Códigos de error

Es posible que se vea un código de error en la pantalla de tiempo estimado restante (Estimated Time Remaining). Verifique la siguiente lista para fijarse en problemas potenciales y la solución de los mismos.

- **“F20” aparece en la pantalla (problema de entrada de agua - no hay suministro de agua o hay un suministro de agua insuficiente)**

Seleccione Parada (STOP) dos veces para anular el ciclo. Desenchufe la lavadora o desconecte el suministro de energía.

#### Verifique lo siguiente:

¿Están completamente abiertos los grifos del agua?

¿Están obstruidos los filtros en la conexión de la manguera de entrada con la lavadora? ¿Están retorcidas las mangueras de entrada del agua?

¿Se han congelado las mangueras de entrada del agua?

## ⚠ ADVERTENCIA



### Peligro de Choque Eléctrico

Conecte a un contacto de pared de conexión a tierra de 3 terminales.

No quite la terminal de conexión a tierra.

No use un adaptador.

No use un cable eléctrico de extensión.

No seguir estas instrucciones puede ocasionar la muerte, incendio o choque eléctrico.

Enchufe la lavadora o reconecte el suministro de energía. Vuelva a seleccionar el ciclo y presione Inicio (START). Si el problema persiste, llame al servicio técnico.

- **“F21” aparece en la pantalla (problema de desagüe)**  
Seleccione Parada (STOP) dos veces para anular el ciclo. Desenchufe la lavadora o desconecte el suministro de energía.

#### Verifique lo siguiente:

¿Está retorcida la manguera de desagüe?

¿Se ha congelado la manguera de desagüe?

¿Está obstruida la manguera de desagüe?

¿Está la manguera de desagüe a una altura mayor de 96" (2,4 m) del piso?

- **“SD” (Rutina de espuma)**

Cuando se detecta el exceso de espuma, la rutina de espuma comienza automáticamente. Esta rutina quita la espuma excedente y asegura el enjuague apropiado de sus prendas. “SD” aparece en la pantalla durante el enjuague y al final del ciclo para informarle que la Rutina de espuma ha sido activada. Utilice solamente detergentes HE (alto rendimiento).

- **Variables “F” [F01 - F34] (problema eléctrico)**

Seleccione Parada (STOP) dos veces para cancelar el ciclo. Seleccione Enjuague/Desagüe y exprimido (RINSE/DRAIN & SPIN), luego seleccione segundo enjuague (2ND RINSE) (para apagar la opción de enjuague) si hay exceso de agua en la lavadora.

Vuelva a seleccionar el ciclo y presione START. Si el problema persiste, llame al servicio técnico.

### Ruidosos, vibrantes, desequilibrados

- **¿Está nivelada la lavadora?**

La lavadora debe estar nivelada. Las cuatro patas deben instalarse correctamente, y las tuercas deben apretarse contra el gabinete de la lavadora.

Las cuatro patas de la lavadora deben estar firmemente apoyadas en el piso. Si la lavadora está en un pedestal, deberá asegurarse al mismo y las cuatro patas niveladoras del pedestal deberán estar firmemente apoyadas en el piso.

- **¿Está la lavadora haciendo un ruido diferente?**

Como ocurre con cualquier producto nuevo, usted escuchará sonidos a los cuales no está acostumbrado. Podrá oír varios sonidos al trabajar o destrabar la puerta, y durante el proceso de lavado, enjuague o exprimido. Durante los intervalos entre las etapas de lavado, habrá pausas momentáneas. Usted escuchará el rociado y chapoteo del agua durante los ciclos de lavado y enjuague. Estos nuevos sonidos y pausas son parte del funcionamiento normal de la lavadora.

- **¿Se ha instalado la lavadora sobre un piso resistente y firme?**

Consulte la sección “Instrucciones de instalación” para informarse respecto a los requisitos del piso. El ruido y la vibración pueden reducirse colocando un pedazo de madera laminada de ¾" (19,1 mm) debajo de su lavadora. La madera laminada puede extenderse debajo de la lavadora y la secadora para mantenerlas a la misma altura.

- **¿La lavadora produce un gorgoteo o zumbido?**

Mientras se escurre el agua de la lavadora, usted podrá oír el aire que se succiona a través de la bomba. Esto ocurre durante la fase final del desagüe. Es normal.

- **¿Está lavando artículos con broches metálicos a presión, hebillas o zípers?**

Usted podrá escuchar el ruido producido por estos artículos al tocar el tambor de la lavadora. Esto es normal.

- **¿Se han quitado los 4 pernos de transporte de la parte posterior de la máquina?**

Vea “Eliminación del sistema protector de transporte”.

## Pierde agua

- **¿Se abrió la puerta durante el agregado de prendas "Add a garment"?**  
Es posible que gotee agua del interior de la puerta cuando se ha abierto después del comienzo de un ciclo.
- **¿Se está usando un detergente de alto rendimiento HE?**  
Los detergentes que no son de alto rendimiento pueden causar espuma en exceso, la que puede salirse de la parte posterior de la lavadora.
- **¿Están ajustadas las mangueras de llenado?**
- **¿Están debidamente colocadas las empaquetaduras de las mangueras de llenado?**  
Controle ambos extremos de cada manguera. Vea "Conexión de las mangueras de entrada".
- **¿Se ha instalado debidamente la manguera de desagüe?**  
Se debe fijar la manguera de desagüe al tubo de desagüe o a la tina de lavadero. Vea "Fijación de la manguera de desagüe".
- **¿Está obstruido el lavadero o el desagüe?**  
El lavadero y el tubo de desagüe deben tener la capacidad para desplazar 17 gal. (64 L) de agua por minuto. Si están obstruidos o lentos, el agua puede subir y salir por el tubo de desagüe o el lavadero. Revise la plomería de la casa (tinas de lavadero, grifos, tubo de desagüe, tuberías de agua) y fíjese si hay fugas de agua.

## Funcionamiento del depósito

- **¿Ha seguido las instrucciones del fabricante cuando agregó el detergente y el suavizante de telas en los depósitos?**  
Mida el detergente y el suavizante de telas. Viértalos lentamente en el depósito. Limpie todos los derrames. Diluya el suavizante de telas en el depósito del suavizante de telas.
- **¿Ha puesto blanqueador en polvo o blanqueador no decolorante líquido en el depósito del blanqueador con cloro líquido (en algunos modelos)?**  
Agregue el blanqueador en polvo o líquido que no decolora en el compartimiento del lavado principal. No use el depósito del blanqueador líquido con cloro para el blanqueador no decolorante.
- **¿Está el depósito del suavizante de telas obstruido?**  
Limpie el depósito del suavizante de telas. Vea "Cuidado de la lavadora" para obtener información más detallada.
- **¿Se han colocado los productos de lavandería en el compartimiento apropiado del depósito?**  
Agregue las cantidades adecuadas de detergente, suavizante de telas o blanqueador líquido con cloro en los compartimientos apropiados. Agregue el blanqueador en polvo o líquido que no decolora en el compartimiento del lavado principal.
- **¿Hay agua en el depósito al final del ciclo?**  
Una pequeña cantidad de agua permanecerá en el compartimiento del depósito. Esto es normal.

## Olores de la lavadora

- Vea "Cómo limpiar su lavadora".
- **¿Está usando detergente de alto rendimiento (HE)?**  
Si se usa detergente que no es de alto rendimiento, se pueden generar residuos de películas los que a su vez pueden producir olor.
- **¿Dejó la puerta abierta después del uso?**  
Esta lavadora tiene un sello hermético que evita las fugas de agua. Para evitar olores, deje la puerta abierta para permitir que la lavadora se seque entre cada uso.

## La puerta no se destraba

- **¿Se ha escurrido toda el agua de la lavadora durante el período de exprimido?**  
Seleccione Enjuague/Desagüe y exprimido (RINSE/DRAIN & SPIN), luego seleccione segundo enjuague (2ND RINSE) (para apagar la opción de enjuague) para sacar el agua que quede en la lavadora. La puerta de la lavadora se destrabará al término del desagüe.
- **¿Está cerrada la puerta y está encendida la luz de agregar prendas "Add a garment"?**  
Presione Parada (STOP) una vez. La puerta se desbloqueará.

## Funcionamiento de la lavadora

La lavadora no se pone en marcha, no llena, no enjuaga o no da vueltas; la lavadora se detiene

### ⚠ ADVERTENCIA



#### Peligro de Choque Eléctrico

Conecte a un contacto de pared de conexión a tierra de 3 terminales.

No quite la terminal de conexión a tierra.

No use un adaptador.

No use un cable eléctrico de extensión.

No seguir estas instrucciones puede ocasionar la muerte, incendio o choque eléctrico.

- **¿Está el cable eléctrico enchufado en un tomacorriente de 3 terminales con conexión a tierra?**  
Conecte a un contacto de pared de conexión a tierra de 3 terminales.
- **¿Está usando un cable eléctrico de extensión?**  
No use un cable eléctrico de extensión.
- **¿Hay un fusible de la casa fundido o se disparó el cortacircuitos?**  
Reemplace el fusible o reposicione el cortacircuitos. Si el problema continúa, llame a un electricista.

- **¿Están abiertos los grifos del agua caliente y del agua fría?**  
Abra el agua.
- **¿Está retorcida la manguera de entrada del agua?**  
Enderece las mangueras.
- **¿Están obstruidos los filtros de la válvula de entrada del agua?**  
Cierre el agua y quite las mangueras de entrada de la lavadora. Saque cualquier película o partículas que se hayan acumulado. Reinstale las mangueras, abra el agua y revise si hay fugas de agua.
- **¿Está la lavadora en una pausa normal en el ciclo?**  
La lavadora hace una pausa por unos 2 minutos durante ciertos ciclos. Deje continuar el ciclo. Algunos ciclos presentan períodos de rotación y remojo.
- **¿Está sobrecargada la lavadora?**  
Lave cargas más pequeñas.
- **¿Se ha cerrado bien la puerta de la lavadora?**  
La puerta debe estar cerrada durante el funcionamiento.
- **¿Se han quitado los pernos de transporte?**  
Para el funcionamiento adecuado de la lavadora, deberán sacarse los cuatro pernos de transporte.
- **¿Se ha seleccionado un ciclo, pero no se ha seleccionado START sosteniéndolo durante 1 segundo?**  
Oprima y sostenga Inicio (START) durante 1 segundo.
- **¿Se ha abierto la puerta después de haberse terminado el ciclo anterior?**  
Para comenzar un nuevo ciclo, la puerta deberá abrirse y cerrarse nuevamente.

---

#### La lavadora continúa llenando o desaguando, el ciclo parece estar atascado

---

- **¿Está la parte superior de la manguera de desagüe más baja de 30" (76 cm) en la lavadora?**  
La parte superior de la manguera de desagüe debe estar a una altura mínima de 30" (76 cm) del piso. Vea "Sistema de desagüe".
- **¿La manguera de desagüe encaja de manera forzada en el tubo vertical o está adherida con cinta al tubo vertical?**  
La manguera de desagüe debe estar floja pero debe encajar bien. No selle la manguera de desagüe con cinta adhesiva. La manguera necesita una abertura para el flujo de aire. Vea "Fijación de la manguera de desagüe".

---

#### La lavadora no desagua ni exprime, el agua queda en la lavadora

---

- **¿Está obstruida la manguera de desagüe, o el extremo de la manguera de desagüe está a más de 96" (2,4 m) por encima del piso?**
- **¿Está bajo el voltaje?**  
Revise la fuente de electricidad o llame a un electricista.

- **¿Hay espuma en exceso?**  
Cuando el sistema detecta la presencia de exceso de espuma, una rutina especial de espuma comienza automáticamente. El ciclo concluirá una vez que se haya eliminado el exceso de espuma. Esto ocurrirá con más frecuencia cuando se usa un detergente que no es de alto rendimiento (HE).
- **¿Está balanceada la carga?**  
Un solo artículo o uno que sea voluminoso puede causar desequilibrio. Agregue más artículos o redistribuya la carga.

---

#### No hay agua suficiente/No hay espuma suficiente

---

- **¿Está bajo el nivel de agua?**  
Esta lavadora usa muy poca agua para proporcionarle buenos resultados de limpieza. Verá muy poca agua o tal vez nada de agua salpicando en esta lavadora. Esto es normal.
- **¿Está usando detergente de alto rendimiento (HE)?**  
El detergente de alto rendimiento HE hace poca espuma. Esto es normal y no afecta el desempeño de limpieza.

---

#### Temperatura de lavado/enjuague

---

- **¿Se han invertido las mangueras de entrada del agua caliente y del agua fría?**  
Vea "Conexión de las mangueras de entrada".
- **¿Está lavando muchas cargas?**  
A medida que aumente la frecuencia de lavado de las cargas, es posible que disminuya la temperatura de agua caliente y tibia. Esto es normal.

---

#### Cambios en el tiempo del ciclo/Ciclo demasiado prolongado

---

- **¿El tiempo estimado restante?**  
Los tiempos del ciclo varían automáticamente basado en la presión de agua, temperatura del agua, detergente y carga de ropa. El tiempo del ciclo se alargarán si hay demasiada espuma o si la carga no está balanceada. La rutina de espuma (SUDs) quita la espuma excedente y asegura el enjuague apropiado de sus prendas. Las opciones que usted seleccionó también afectarán los tiempos del ciclo que se muestran en la tabla de los Ajustes prefijados de ciclos.
- **¿Hay espuma en exceso?**  
Cuando el sistema detecta la presencia de exceso de espuma, una rutina especial de espuma comienza automáticamente. Esta rutina añadirá tiempo adicional al ciclo original.
- **¿Ha sido la carga lo que causa un desequilibrio?**  
Cuando hay demasiado desequilibrio, una rutina de desequilibrio comenzará a redistribuir la carga. Durante la rutina de desequilibrio, el tiempo en la pantalla puede hacer una pausa hasta que se complete esta actividad; luego reanudará el resto del ciclo.
- **¿Está lavando un solo artículo o una carga voluminosa?**  
Si se ha detectado una carga desequilibrada, se agregará tiempo al ciclo de exprimido. La lavadora intentará volver a distribuir la carga con rotación adicional.
- **¿Ha lavado una carga grande usando el ciclo de lavado expreso (Express Wash)?**  
El ciclo de lavado expreso está diseñado para cargas de tamaño más pequeño (de 2 a 3 artículos) de prendas con suciedad ligera. Si se lavan cargas más grandes en este ciclo, aumentará el tiempo de lavado.
- **¿Ha lavado una carga grande en un ciclo suave o delicado?**  
Cuando use los ciclos expreso o seda/ropa delicada, debe poner cargas pequeñas. Esto le asegura un lavado delicado para sus prendas sin aumentar los tiempos del ciclo.

## Cuidado de las prendas

### Ropa demasiado mojada

- **¿Ha empleado el ciclo correcto para la carga que está lavando?**  
Seleccione un ciclo con un exprimido más rápido.
- **¿Ha lavado sólo un artículo o artículos voluminosos o ha sobrecargado la lavadora?**  
Un solo artículo, artículos voluminosos, o sobrecargar pueden causar desequilibrio. Agregue artículos o trate de distribuir uniformemente la ropa mojada en el tambor. Seleccione Enjuague/Desagüe y exprimido (RINSE/DRAIN & SPIN), luego seleccione segundo enjuague (2ND RINSE) (para apagar la opción de enjuague) para desaguar la lavadora. Si la ropa continúa mojada, saque la mitad de la carga de la lavadora e inténtelo de nuevo.
- **¿Ha usado detergente HE?**  
Si hay espuma durante los ciclos de enjuague y exprimido, se reducirá la velocidad de exprimido. Use detergente de alto rendimiento (HE).

### Residuos, pelusa, manchas en la carga; blancos grisáceos, colores opacos

- **¿Ha agregado detergente en el depósito?**  
Para obtener óptimos resultados, agregue detergente en el compartimiento del detergente. No agregue detergente en el tambor de la lavadora.
- **¿Ha separado la ropa adecuadamente?**  
Separe las prendas que sueltan pelusa (toallas, felpilla) de las que atraen pelusa (pana, artículos sintéticos). Siempre que mezcle ropa blanca y de color en una carga puede ocurrir una transferencia de tintes. Separe las prendas de color oscuro de las blancas y claras.
- **¿Ha sobrecargado la lavadora?**  
No sobrecargue la lavadora. La lavadora puede llenarse por completo, pero sin apretujar la ropa. La carga debe estar equilibrada. Si la lavadora está sobrecargada, la pelusa puede quedar adherida a las prendas.
- **Verifique lo siguiente:**  
¿Se dejó papel o pañuelo de papel en los bolsillos?
- **¿Ha usado suficiente detergente de alto rendimiento (HE)?**  
Siga las recomendaciones del fabricante para el tipo de ropa que está lavando. Para lograr un óptimo rendimiento, use solamente un detergente de alto rendimiento (HE). Use suficiente detergente para quitar la suciedad y mantenerla en suspensión.
- **¿Tiene agua dura?**  
Use más detergente cuando lave prendas con suciedad rebelde en agua fría o dura.

- **¿Está la temperatura del agua por debajo de los 60°F (15,6°C)?**  
El agua de lavado con una temperatura inferior a 60°F (15,6°C) quizás no disuelva por completo el detergente. Para lavar use agua caliente o tibia que no afecte las telas de la carga. Cerciórese de que el sistema de agua caliente sea el adecuado para proveer un lavado con agua caliente.
- **¿Está usando un ciclo de lavado de baja velocidad?**  
Los detergentes en polvo quizás no se disuelvan bien en los ciclos de velocidad baja. Para obtener óptimos resultados, use detergente líquido para los ciclos con velocidad lenta, tales como el de ropa delicada (Delicates).
- **¿Ha descargado la lavadora con rapidez?**  
Para evitar la transferencia de tintes, descargue la lavadora tan pronto como se detenga.
- **¿Ha usado una bola con suavizante de telas?**  
Las bolas que distribuyen suavizante de telas no funcionan correctamente en esta lavadora. Agregue el suavizante líquido de telas en el compartimiento del suavizante de telas.
- **¿Ha usado detergente en polvo en un ciclo de baja velocidad?**  
Considere el empleo de un detergente líquido.
- **¿Ha usado el ciclo de lavado expreso (Express Wash) para una carga voluminosa?**  
Para obtener óptimos resultados, use el ciclo de lavado expreso para cargas pequeñas con suciedad ligera.

### La ropa está arrugada, enroscada o enredada

- **¿Ha descargado la lavadora con rapidez?**  
Descargue la lavadora tan pronto como se detenga.
- **¿Ha empleado el ciclo correcto para la carga que está lavando?**  
Utilice el ciclo de ropa delicada (Delicates) u otro ciclo con velocidad baja de exprimido para reducir la formación de arrugas.
- **¿Ha sobrecargado la lavadora?**  
La carga de lavado debe estar equilibrada y sin sobrecarga. Las cargas deben moverse con libertad durante el lavado.
- **¿Estaba el agua de lavado lo suficientemente tibia para suavizar las arrugas?**  
Si no va a afectar las prendas, use agua tibia o caliente para el lavado.
- **¿Se han invertido las mangueras del agua caliente y del agua fría?**  
Cerciórese de que las mangueras del agua caliente y del agua fría estén conectadas a los grifos correctos. Un enjuague caliente seguido de un exprimido producirá arrugas. Vea "Conexión de las mangueras de entrada".

---

## Notas

# TABLE DES MATIÈRES

CONTRATS DE PROTECTION.....	57
GARANTIE .....	58
SÉCURITÉ DE LA LAVEUSE.....	59
EXIGENCES D'INSTALLATION.....	60
Outillage et pièces .....	60
Options.....	60
Exigences d'emplacement .....	60
Système de vidange .....	62
Spécifications électriques.....	63
INSTRUCTIONS D'INSTALLATION .....	64
Élimination des accessoires de transport .....	64
Raccordement des tuyaux d'alimentation.....	64
Acheminement du tuyau de vidange.....	65
Immobilisation du tuyau de vidange.....	66
Réglage de l'aplomb de la laveuse.....	66
Achever l'installation.....	66
CARACTÉRISTIQUES ET AVANTAGES.....	67
UTILISATION DE LA LAVEUSE.....	68
Mise en marche de la laveuse .....	68
Utilisation du détergent approprié.....	68
Utilisation du distributeur.....	69
Pause et remise en marche.....	70
Changement des programmes, options et modificateurs .....	70
Témoins lumineux.....	71
Programmes.....	71
Sons normaux.....	73
Options.....	73
Modificateurs .....	74
Guide de lessivage.....	75
CONSEILS DE LESSIVAGE .....	76
Chargement .....	76
Guide pour l'élimination des taches .....	77
ENTRETIEN DE LA LAVEUSE.....	78
Nettoyage de la laveuse .....	78
Robinets d'arrivée d'eau.....	79
Précautions à prendre avant les vacances, un entreposage ou un déménagement .....	79
DÉPANNAGE .....	80
La laveuse et ses composants .....	80
Fonctionnement de la laveuse.....	81
Entretien des vêtements .....	83
NUMÉROS DE SERVICE .....	COUVERTURE ARRIÈRE

## CONTRATS DE PROTECTION

### Contrats principaux de protection

Nous vous félicitons d'avoir fait un achat judicieux. Votre nouvel appareil Kenmore® est conçu et fabriqué pour vous procurer des années de fonctionnement fiable. Mais comme pour tous les produits, il pourra à l'occasion nécessiter un entretien préventif ou une réparation. Le cas échéant, un Contrat principal de protection peut vous épargner de l'argent et des soucis.

Le Contrat principal de protection contribue aussi à prolonger la vie utile de votre nouvel appareil ménager. Le Contrat\* inclut :

- ✓ **Pièces et main d'œuvre** nécessaires pour conserver les appareils en état de fonctionnement correct **pendant une utilisation normale**, pas uniquement les défaillances. Notre couverture **s'adapte à la garantie du produit**. Aucune franchise, aucune anomalie de fonctionnement ne sont exclues de ce contrat - **protection réelle**.
- ✓ **Un service d'expert** proposé par plus de 10 000 **techniciens d'entretien Sears** autorisés, ce qui signifie que quelqu'un de confiance prendra soin de votre produit.
- ✓ **Appels de service illimités et service national**, aussi souvent que vous en avez besoin et quand vous en avez besoin.
- ✓ **Garantie "Anti-citron"** - remplacement de votre produit couvert si plus de quatre pannes se produisent en deçà de douze mois.
- ✓ **Remplacement du produit** si votre produit couvert ne peut être réparé.
- ✓ **Vérification annuelle d'entretien préventif sur demande** - sans frais supplémentaires.
- ✓ **Aide rapide par téléphone** - nous appelons cela **Résolution rapide** - support téléphonique d'un agent de Sears sur tous les produits. Considérez nous comme un "manuel d'utilisateur parlant".
- ✓ **Protection contre les sautes de puissance** pour prévenir les dommages électriques attribuables aux fluctuations de courant.
- ✓ **Couverture pour la perte de nourriture de 250 \$** par an sur tout aliment altéré en raison d'une défaillance mécanique sur tout réfrigérateur ou congélateur couvert.
- ✓ **Remboursement de location** si la réparation du produit couvert prend plus de temps que promis.
- ✓ **10 % de réduction** sur le prix courant de toute intervention de réparation non-couverte et pièces de rechange.

Dès que vous achetez le Contrat, il suffit d'un appel téléphonique pour obtenir un rendez-vous de service. Vous pouvez appeler en tout temps jour et nuit ou prendre un rendez-vous de service en direct.

Le contrat principal de protection constitue un investissement sans risque. Si vous annulez pour une quelconque raison pendant la période de garantie du produit, nous vous rembourserons intégralement ou nous vous verserons un remboursement au prorata après l'expiration de la période de garantie. Achetez votre Contrat principal de protection aujourd'hui même!

**Certaines limitations et exclusions s'appliquent. Pour des prix et renseignements supplémentaires aux États-Unis, composez le 1-800-827-6655.**

**\*Le contrat de couverture au Canada varie pour certains articles. Pour des informations détaillées, appelez Sears Canada au 1-800-361-6665.**

### Service d'installation Sears

Pour l'installation professionnelle garantie par Sears d'appareils ménagers et d'articles tels que les ouvre-portes de garage, chauffe-eau, et autres gros appareils ménagers, aux É.-U. ou au Canada, composez le **1-800-4-MY-HOME®**.

# GARANTIE DES APPAREILS MÉNAGERS ET PIÉDESTAUX FACULTATIFS KENMORE

## GARANTIE LIMITÉE DE UN AN

Lorsqu'il est installé, utilisé et entretenu conformément à toutes les instructions fournies avec le produit, si cet appareil ménager fait défaut par suite d'un vice de matériau ou de fabrication au cours de l'année qui suit la date d'achat, composer le 1-800-4-MY-HOME® pour obtenir une réparation gratuite.

Si cet appareil ménager fonctionne à toute autre fin que l'utilisation familiale privée, la présente garantie ne s'appliquera que pendant 90 jours à partir de la date d'achat.

## LA PRÉSENTE GARANTIE COUVRE UNIQUEMENT LES VICES DE MATÉRIAUX ET DE FABRICATION. SEARS NE PAIERA PAS POUR :

1. Les pièces courantes qui peuvent s'user suite à une utilisation normale, notamment les filtres, courroies, ampoules et sacs.
2. L'intervention d'un technicien pour montrer à l'utilisateur comment installer, utiliser et entretenir correctement le produit.
3. L'intervention d'un technicien pour nettoyer ou entretenir ce produit.
4. L'endommagement ou les défauts du produit si celui-ci n'est pas installé, utilisé ou entretenu conformément à toutes les instructions fournies avec le produit.
5. L'endommagement ou les défauts du produit résultant d'accident, usage impropre ou abusif ou utilisation autre que pour laquelle il est destiné.
6. L'endommagement ou les défauts du produit causés par l'utilisation de détergents, agents de nettoyage, produits chimiques ou ustensiles autres que ceux recommandés dans toutes les instructions fournies avec le produit.
7. L'endommagement ou les défauts des pièces ou systèmes résultant d'une modification non autorisée faite au produit.

## CLAUSE D'EXONÉRATION DE RESPONSABILITÉ AU TITRE DES GARANTIES IMPLICITES; LIMITATION DES RECOURS

Le seul et exclusif recours du client dans le cadre de la présente garantie limitée consiste en la réparation prévue ci-dessus. Les garanties implicites, y compris les garanties applicables de qualité marchande et d'aptitude à un usage particulier, sont limitées à un an ou à la plus courte période autorisée par la loi. Sears n'assume aucune responsabilité pour les dommages fortuits ou indirects. Certains États ou certaines provinces ne permettent pas l'exclusion ou la limitation des dommages fortuits ou indirects, ou la limitation de la durée des garanties implicites de qualité marchande ou d'aptitude à un usage particulier, de sorte que cette exclusion ou limitation peut ne pas être applicable dans votre cas.

Cette garantie s'applique seulement lorsque cet appareil ménager est utilisé aux États-Unis et au Canada.

Cette garantie vous confère des droits juridiques spécifiques et vous pouvez également jouir d'autres droits qui peuvent varier d'un État à l'autre.

Sears, Roebuck and Co.  
Dept. 817WA, Hoffman Estates, IL 60179

Sears Canada Inc.  
Toronto, Ontario, Canada M5B 2B8

## ENREGISTREMENT DU PRODUIT

Dans l'espace ci-dessous, inscrire les numéros de modèle et de série complets et la date d'achat. Vous trouverez ces renseignements sur la plaque signalétique située sur le produit.

Gardez ces renseignements à disposition pour obtenir plus rapidement assistance ou service lorsque vous communiquez avec Sears au sujet de votre appareil ménager.

Numéro de modèle \_\_\_\_\_

Numéro de série \_\_\_\_\_

Date d'achat \_\_\_\_\_

**Conservez ces instructions et votre reçu de vente pour référence ultérieure.**

## ENREGISTREMENT DU PIÉDESTAL

Dans l'espace ci-dessous, inscrire les numéros de modèle et de série complets et la date d'achat. Vous trouverez ces renseignements sur la plaque signalétique située sur le produit.

Gardez ces renseignements à disposition pour obtenir plus rapidement assistance ou service lorsque vous communiquez avec Sears au sujet de votre piédestal.

Numéro de modèle \_\_\_\_\_

Numéro de série \_\_\_\_\_

Date d'achat \_\_\_\_\_

**Conservez ces instructions et votre reçu de vente pour référence ultérieure.**

# SÉCURITÉ DE LA LAVEUSE

## Votre sécurité et celle des autres est très importante.

Nous donnons de nombreux messages de sécurité importants dans ce manuel et sur votre appareil ménager. Assurez-vous de toujours lire tous les messages de sécurité et de vous y conformer.



Voici le symbole d'alerte de sécurité.

Ce symbole d'alerte de sécurité vous signale les dangers potentiels de décès et de blessures graves à vous et à d'autres.

Tous les messages de sécurité suivront le symbole d'alerte de sécurité et le mot "DANGER" ou "AVERTISSEMENT". Ces mots signifient :

**⚠ DANGER**

Risque possible de décès ou de blessure grave si vous ne suivez pas immédiatement les instructions.

**⚠ AVERTISSEMENT**

Risque possible de décès ou de blessure grave si vous ne suivez pas les instructions.

Tous les messages de sécurité vous diront quel est le danger potentiel et vous disent comment réduire le risque de blessure et ce qui peut se produire en cas de non-respect des instructions.

## IMPORTANTES INSTRUCTIONS DE SÉCURITÉ

**AVERTISSEMENT :** Pour réduire les risques d'incendie, de choc électrique ou de blessures lors de l'utilisation de la laveuse, suivre les précautions fondamentales dont les suivantes :

- Lire toutes les instructions avant d'utiliser la laveuse.
- Ne pas laver des articles qui ont été nettoyés ou lavés avec de l'essence ou imbibés d'essence, solvants de nettoyage à sec, ou autres substances inflammables ou explosives; ces substances peuvent émettre des vapeurs susceptibles de s'enflammer ou d'exploser.
- Ne pas ajouter d'essence, solvant de nettoyage à sec ou autre produit inflammable ou explosif dans l'eau de lavage. Ces substances peuvent émettre des vapeurs susceptibles de s'enflammer ou d'exploser.
- Dans certaines conditions, de l'hydrogène gazeux peut se former dans un circuit d'eau chaude qui n'a pas été utilisé pendant 2 semaines ou plus. LE GAZ HYDROGÈNE EST EXPLOSIBLE. Si le circuit d'eau chaude n'a pas été utilisé pendant une telle période, avant d'utiliser la laveuse, ouvrir tous les robinets d'eau chaude et laisser l'eau s'écouler pendant plusieurs minutes par chaque robinet. Ceci permettra l'évacuation de l'hydrogène gazeux accumulé. Comme ce gaz est inflammable, ne pas fumer ou utiliser une flamme nue au cours de cette période.
- Ne pas laisser des enfants jouer sur ou à l'intérieur de la laveuse. Bien surveiller les enfants lorsque la laveuse est utilisée à proximité d'enfants.
- Avant de mettre la laveuse au rebut ou hors de service, enlever la porte ou le couvercle.
- Ne pas tenter d'atteindre un article à l'intérieur de la cuve de la laveuse lorsque le tambour, la cuve ou l'agitateur est en mouvement.
- Ne pas installer ou remiser cette laveuse à un endroit où elle serait exposée aux intempéries.
- Ne pas modifier les organes de commande.
- Ne pas réparer ou remplacer un composant quelconque de la laveuse, ni entreprendre une opération de service, si ce n'est spécifiquement recommandé dans ce manuel ou dans un manuel d'instructions de réparations destiné à l'utilisateur; il est alors essentiel que la personne concernée comprenne ces instructions et soit compétente pour les exécuter.
- Voir "Spécifications électriques" pour les instructions de liaison à la terre.

**CONSERVEZ CES INSTRUCTIONS**

# EXIGENCES D'INSTALLATION

## Outillage et pièces

Rassembler les outils et pièces nécessaires avant de commencer l'installation. Les pièces fournies se trouvent dans le tambour de la laveuse.

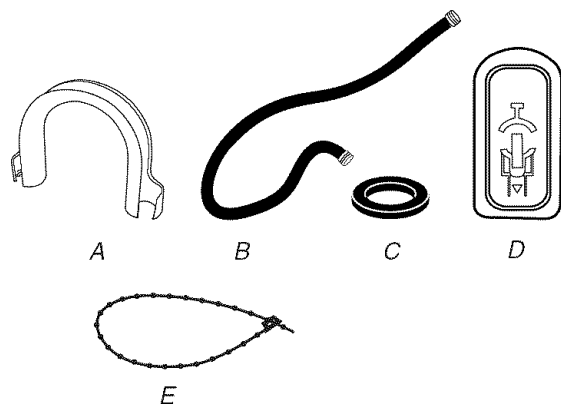
### Outils nécessaires au raccordement des tuyaux d'arrivée d'eau

- Pince (ouverture jusqu'à 1 $\frac{1}{16}$ " [39,5 mm])
- Lampe de poche (facultative)

### Outils nécessaires à l'installation

- Clés plates de 14 mm et 13 mm
- Niveau
- Cale en bois
- Règle ou mètre ruban

### Pièces fournies



- A. Bride de retenue pour tuyau de vidange (en forme de U)  
 B. Tuyau d'alimentation (2)  
 C. Rondelle pour tuyau d'alimentation (4)  
 D. Bouchon pour les trous des boulons de transport (4)  
 E. Courroie perlée

### Autres pièces

Les pièces énumérées sont disponibles au magasin Sears local ou au centre de service Sears. Pour obtenir plus de renseignements, composer le **1-800-4-MY-HOME® (1-800-469-4663)**.

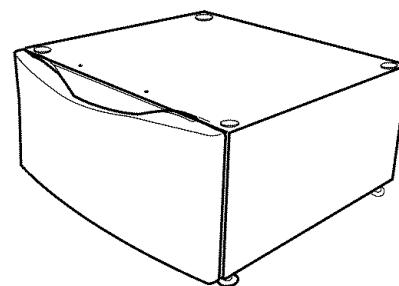
Si vous avez	Vous devrez acheter
Évier de buanderie ou tuyau de rejet à l'égout plus haut que 96" (2,4 m)	Système de pompe de puisard (si non déjà disponible)
Égout surélevé	Évier de vidange standard de 20 gal. (76 L) de 30" (76,2 cm) de hauteur ou évier utilitaire et pompe de puisard (disponibles chez votre fournisseur local d'articles de plomberie)
Égout au plancher	Brise-siphon, pièce n° 285834; tuyau de vidange additionnel, pièce n° 8318155; et trousse de connexion, pièce n° 285835

Si vous avez	Vous devrez acheter
Tuyau de vidange trop court	Trousse de rallonge du tuyau de vidange de 4 pi (1,2 m), pièce n° 285863
Robinets d'eau hors d'atteinte des tuyaux d'admission	2 tuyaux d'admission d'eau plus longs : 6 pi (1,8 m), pièce n° 76314 10 pi (3,0 m), pièce n° 350008

## Options

### Piédestal

Vous pouvez acheter séparément des piédestaux de différentes hauteurs pour cette laveuse. Vous pouvez choisir un piédestal de 10" (25,4 cm) ou un piédestal de 15,5" (39,4 cm). Le piédestal augmentera la hauteur totale de la laveuse.



Piédestal facultatif

Pour commander, appeler votre magasin Sears local. Pour de plus amples renseignements, veuillez composer le **1-800-4-MY-HOME® (1-800-469-4663)**.

Hauteur du piédestal	Hauteur approximative avec laveuse	Couleur	Numéro de modèle
10" (25,4 cm)	46" (116,8 cm)	Blanc	46822
15,5" (39,4 cm)	51,5" (130,8 cm)	Blanc	57822

### Ensemble de superposition

Prévoyez-vous de superposer votre laveuse et votre sècheuse? Pour ce faire, vous devrez acheter un ensemble de superposition.

Pour commander, appeler votre magasin Sears local. Demander le nécessaire de superposition (pièce n° 8572546). Pour de plus amples renseignements, veuillez composer le **1-800-4-MY-HOME® (1-800-469-4663)**. Suivre les instructions fournies avec l'ensemble. Voir "Exigences d'emplacement".

## Exigences d'emplacement

Le choix d'un emplacement approprié pour la laveuse en améliore le rendement et réduit au minimum le bruit et le "déplacement" possible de la laveuse.

La laveuse peut être installée sous un comptoir personnalisé, dans un sous-sol, une salle de buanderie, un placard ou un encastrement. Voir "Système de vidange".

Il faut aussi prendre en compte les exigences d'emplacement des appareils voisins. C'est à l'utilisateur qu'incombe la responsabilité de réaliser une installation correcte.

## Il vous faudra

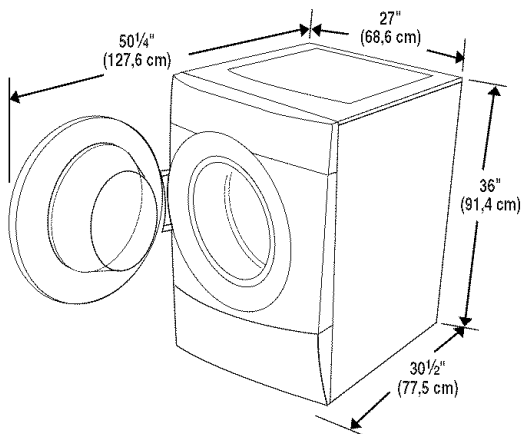
- Un chauffe-eau pour fournir de l'eau à 120°F (49°C) à la laveuse.
- Une prise électrique reliée à la terre située à moins de 6 pi (1,8 m) de la prise du cordon électrique se trouvant à l'arrière de la laveuse. Voir "Spécifications électriques".
- Des robinets d'eau chaude et d'eau froide situés à moins de 4 pi (1,2 m) des robinets d'admission d'eau chaude et d'eau froide, et une pression d'eau de 20-100 lb/po<sup>2</sup> (137,9-689,6 kPa).
- Un plancher de niveau ayant une pente maximale de 1" (2,5 cm) sous l'ensemble de la laveuse. L'installation de la laveuse sur des surfaces de sol molles, telles que tapis ou surfaces avec sous-couche en mousse n'est pas recommandée.
- Un plancher robuste et solide capable de soutenir le poids total de la laveuse (eau et charge) de 400 lb (180 kg).

Ne pas faire fonctionner la laveuse à des températures inférieures à 32°F (0°C). Une quantité d'eau peut demeurer dans la laveuse et causer des dommages à des températures basses.

## Dégagements de séparation à respecter

- L'emplacement doit être assez grand pour permettre d'ouvrir complètement la porte de la laveuse.
- Prévoir davantage d'espace pour faciliter l'installation et l'entretien. La porte s'ouvre à plus de 90° et n'est pas réversible.
- Un espace supplémentaire peut être requis pour les moulures de porte et de plancher et pour les plinthes.
- Un espace supplémentaire de 1" (2,5 cm) de tous les côtés de la laveuse est recommandé pour réduire le transfert de bruit.
- Il faut aussi prendre en compte l'espace requis entre les appareils voisins.

## Dimensions de la laveuse

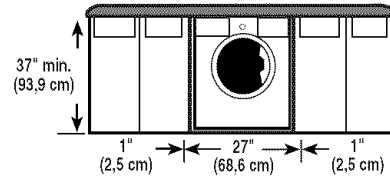


La porte n'est pas réversible.

## Espacement recommandé pour une installation personnalisée sous un comptoir

Les dimensions indiquées sont pour l'espace recommandé.

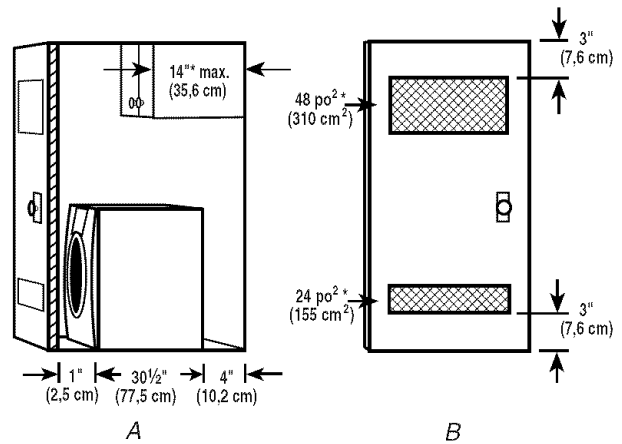
### Installation personnalisée sous un comptoir - laveuse seulement



## Espacement recommandé pour une installation dans un encastrement ou dans un placard, avec ou sans piédestal

Les dimensions indiquées sont pour l'espace recommandé.

### Installation dans un encastrement ou placard

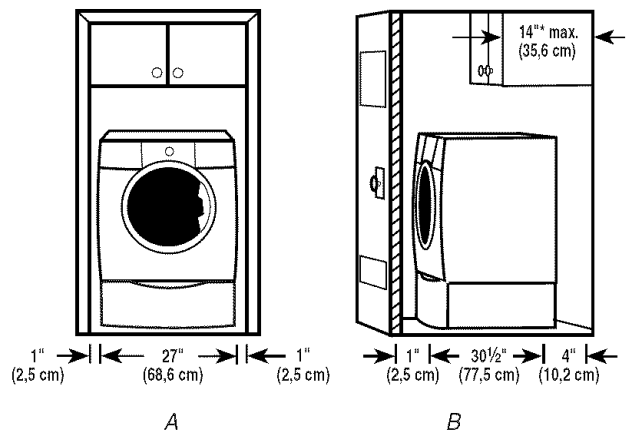


A. Vue latérale - placard ou endroit exigü

B. Porte de placard avec orifices d'entrée d'air

\*Ouvertures minimums en haut et en bas pour la porte du placard.

### Installation dans un encastrement ou placard - laveuse sur piédestal

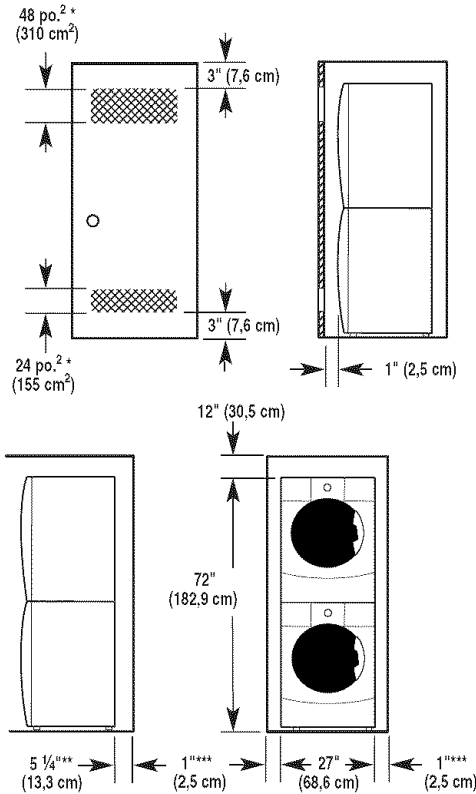


A. Encastrement

B. Vue latérale - placard ou endroit exigü

## Espacement recommandé pour une installation dans un encastrement ou dans un placard, avec laveuse et sècheuse superposées

Les dimensions indiquées sont pour l'espacement recommandé.



\* Ouvertures minimums en haut et en bas pour la porte du placard.

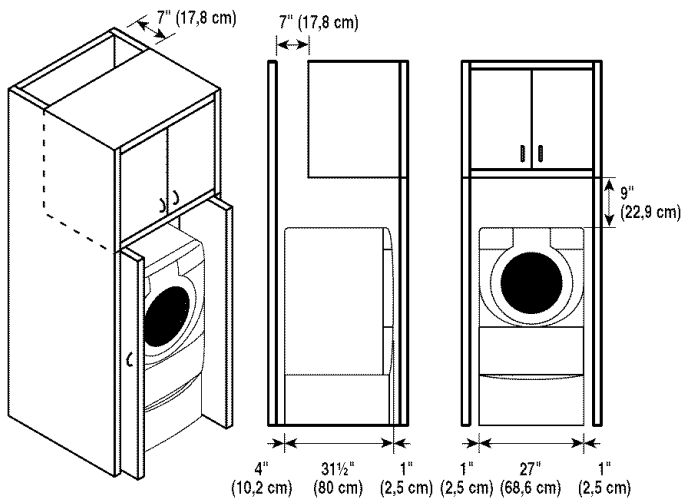
\*\* Le coude d'évacuation externe nécessite davantage d'espace.

\*\*\* Les moulures de porte et de plancher et les plinthes peuvent nécessiter un espace supplémentaire.

## Espacement recommandé pour l'installation dans un placard

Les dimensions indiquées sont pour l'espacement recommandé.

Pour l'installation dans un placard avec porte, on doit prévoir des ouvertures minimums d'entrée d'air au sommet du placard.



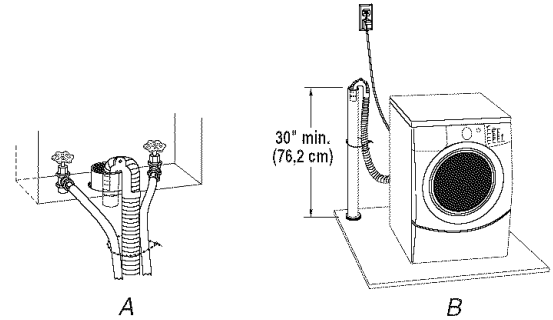
## Système de vidange

La laveuse peut être installée en utilisant le système de rejet à l'égout (au plancher ou mural), le système de vidange de l'évier de buanderie, ou le système de vidange au plancher. Sélectionner la méthode d'installation du tuyau de vidange selon les besoins. Voir "Outillage et pièces".

### Système de vidange avec tuyau de rejet à l'égout - mural ou au plancher (vues A et B)

Le système de rejet à l'égout nécessite un tuyau de diamètre minimum de 2" (5 cm). La capacité minimale d'acheminement ne doit pas être inférieure à 17 gal. (64 L) par minute.

Le sommet du tuyau de rejet à l'égout doit être au moins à 30" (76,2 cm) de hauteur et au maximum à 96" (2,4 m) de la base de la laveuse.



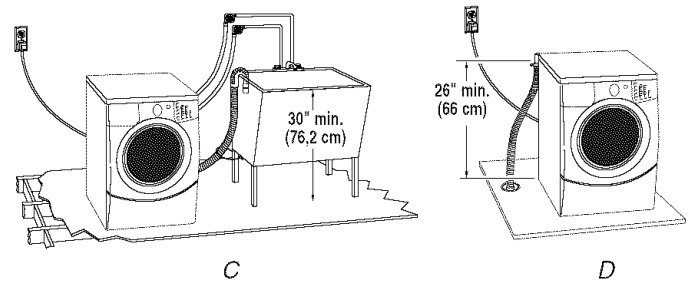
### Système de vidange avec évier de buanderie (vue C)

L'évier de buanderie doit avoir une capacité minimale de 20 gal. (76 L). La partie supérieure de l'évier de buanderie doit être au moins 30" (76,2 cm) au-dessus du plancher.

### Système de vidange au plancher (vue D)

Le système de vidange au plancher nécessite un brise-siphon qui peut être acheté séparément. Voir "Outillage et pièces".

Le brise-siphon doit être au moins à 28" (71 cm) de la base de la laveuse. Des tuyaux supplémentaires peuvent être requis.



## Spécifications électriques

### **⚠ AVERTISSEMENT**



#### **Risque de choc électrique**

**Brancher sur une prise à 3 alvéoles reliée à la terre.**

**Ne pas enlever la broche de liaison à la terre.**

**Ne pas utiliser un adaptateur.**

**Ne pas utiliser un câble de rallonge.**

**Le non-respect de ces instructions peut causer un décès, un incendie ou un choc électrique.**

- Une alimentation de 120 volts, 60 Hz, CA seulement, de 15 ou 20 ampères, protégée par un fusible est requise. On recommande d'utiliser un fusible ou un disjoncteur temporisé. Il est recommandé de raccorder l'appareil sur un circuit distinct exclusif à cet appareil.
- Cette laveuse comporte un cordon d'alimentation électrique à trois broches pour liaison à la terre.
- Pour minimiser les risques de choc électrique, on doit brancher le cordon sur une prise de courant de configuration correspondante, à 3 alvéoles, reliée à la terre et installée conformément aux codes et règlements locaux. Si une prise de courant de configuration correspondante n'est pas disponible, le client a la responsabilité et l'obligation de faire installer par un électricien qualifié une prise de courant correctement reliée à la terre.

- Si les codes le permettent et si on utilise un conducteur distinct de liaison à la terre, il est recommandé qu'un électricien qualifié vérifie la qualité de la liaison à la terre.
- Ne pas utiliser une tuyauterie de gaz pour le raccordement à la terre.
- En cas de doute quant à la qualité de la liaison à la terre de la laveuse, consulter un électricien qualifié.
- Ne pas installer un fusible dans le conducteur neutre ou le conducteur de liaison à la terre.

### **INSTRUCTIONS DE LIAISON À LA TERRE**

#### **Pour une laveuse reliée à la terre et connectée par un cordon :**

Cette laveuse doit être reliée à la terre. En cas d'anomalie de fonctionnement ou de panne, la liaison à la terre réduira le risque de choc électrique en offrant au courant électrique un itinéraire d'évacuation de moindre résistance. Cette laveuse est alimentée par un cordon électrique comportant un conducteur relié à la terre et une fiche de branchement munie d'une broche de liaison à la terre. La fiche doit être branchée sur une prise de courant appropriée qui est bien installée et reliée à la terre conformément à tous les codes et règlements locaux.

**AVERTISSEMENT :** Le raccordement incorrect de cet appareil au conducteur de liaison à la terre peut susciter un risque de choc électrique. En cas de doute quant à la qualité de la liaison à la terre de l'appareil, consulter un électricien ou technicien d'entretien qualifié.

Ne pas modifier la fiche de branchement fournie avec l'appareil – si la fiche ne correspond pas à la configuration de la prise de courant, demander à un électricien qualifié d'installer une prise de courant convenable.

#### **Pour une laveuse raccordée en permanence :**

Cette laveuse doit être raccordée à un système de câblage permanent en métal relié à la terre ou un conducteur relié à la terre doit être en fonction avec les conducteurs de circuit et raccordés à la borne de liaison à la terre ou la borne sur l'appareil ménager.

# INSTRUCTIONS D'INSTALLATION

## Élimination des accessoires de transport

### ⚠ AVERTISSEMENT

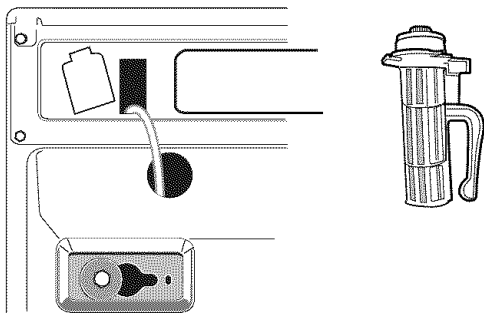
#### Risque du poids excessif

Utiliser deux ou plus de personnes pour déplacer et installer la laveuse.

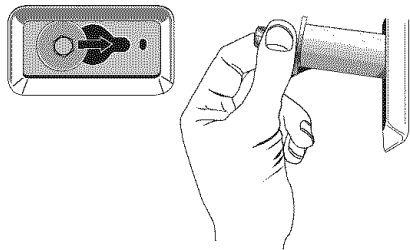
Le non-respect de cette instruction peut causer une blessure au dos ou d'autre blessure.

**IMPORTANT :** Positionner la laveuse de sorte que l'arrière de la laveuse soit à environ 3 pi (90 cm) de son emplacement final.

On trouve sur le panneau arrière de la laveuse 4 boulons bleus qui supportent le système de suspension durant le transport. Ces boulons retiennent aussi le cordon d'alimentation à l'intérieur de la laveuse jusqu'à ce que les boulons soient retirés.



1. Au moyen d'une clé de 13 mm, desserrer chacun des boulons.
2. Une fois le boulon desserré, le déplacer au centre du trou et retirer complètement le boulon, y compris la cale d'espacement en plastique couvrant le boulon.

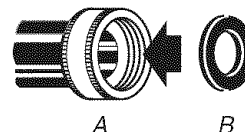


3. Une fois que les 4 boulons ont été retirés, jeter les boulons et les cales d'espacement. Puis tirer le cordon d'alimentation à travers l'ouverture du panneau arrière et obturer le trou avec le bouchon fourni.
4. Obturer les trous des boulons avec les 4 bouchons pour les trous des boulons de transport.

**REMARQUE :** Si la laveuse doit être transportée à une date ultérieure, appeler le centre de service local. Pour éviter des dommages concernant la suspension et la structure, votre appareil doit être correctement monté pour réinstallation ultérieure par un technicien certifié.

## Raccordement des tuyaux d'alimentation

Insérer les rondelles plates neuves (fournies) dans chaque extrémité des tuyaux d'arrivée d'eau. Insérer fermement les rondelles dans les raccords.

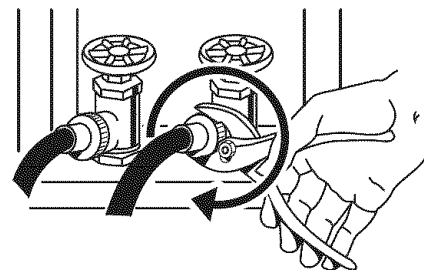


A. Raccord  
B. Rondelle

## Connecter les tuyaux d'alimentation aux robinets d'eau

S'assurer que le tambour de la laveuse est vide.

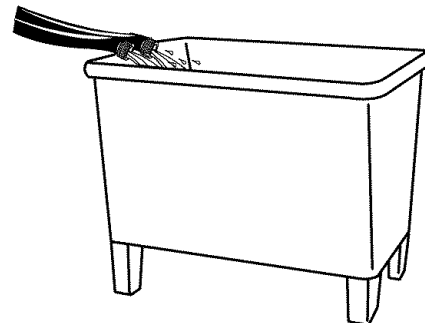
1. Fixer un tuyau au robinet d'eau chaude. Visser complètement le raccord à la main pour qu'il comprime le joint.
2. Fixer un tuyau au robinet d'eau froide. Visser complètement le raccord à la main pour qu'il comprime le joint.
3. À l'aide d'une pince, serrer les raccords en effectuant deux tiers de tour supplémentaires.



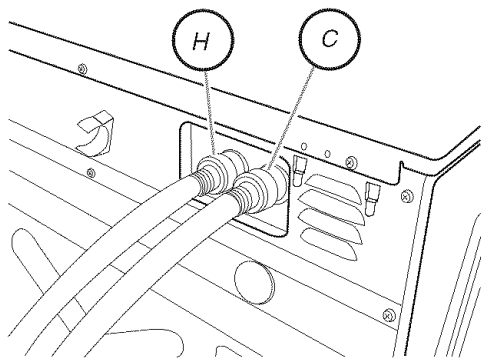
**REMARQUE :** Ne pas serrer excessivement ou utiliser du ruban adhésif ou un calfeutrant sur la valve. Les valves risquent d'être endommagées.

## Purger les canalisations d'eau

- Laisser s'écouler l'eau des deux robinets et des tuyaux d'alimentation, dans un évier de buanderie, un tuyau de rejet à l'égout ou un seau, pour éliminer les particules se trouvant dans les canalisations d'eau qui pourraient obstruer les tamis de la valve d'arrivée d'eau.
- Vérifier la température de l'eau pour s'assurer que le tuyau d'eau chaude est connecté au robinet d'eau chaude et que le tuyau d'eau froide est connecté au robinet d'eau froide.



## Connecter les tuyaux d'alimentation à la laveuse



H. Tuyau d'eau chaude  
C. Tuyau d'eau froide

1. Fixer le tuyau d'eau chaude à la valve du tuyau d'alimentation d'eau chaude (H) de la laveuse. Visser complètement le raccord à la main pour qu'il comprime le joint.
2. Fixer le tuyau d'eau froide au robinet d'eau froide (C) de la laveuse. Visser complètement le raccord à la main pour qu'il comprime le joint.
3. À l'aide d'une pince, serrer les raccords en effectuant  $\frac{2}{3}$  de tour supplémentaires.

**REMARQUE :** Ne pas serrer excessivement. Le raccord risque d'être endommagé.

4. Ouvrir les robinets d'eau complètement et vérifier s'il y a des fuites.

**REMARQUE :** Remplacer les tuyaux d'arrivée d'eau après 5 ans d'utilisation pour réduire le risque de défaillance intempestive. Prendre note de la date d'installation ou de remplacement des tuyaux d'arrivée d'eau, pour référence ultérieure.

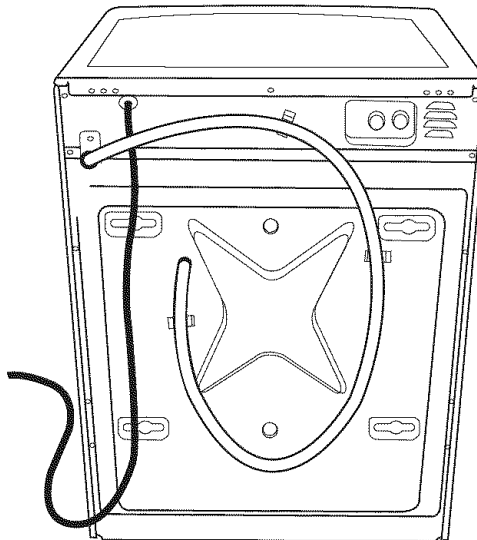
Inspecter périodiquement les tuyaux; les remplacer en cas de renflement, de déformation, de coupure, d'usure ou si une fuite se manifeste.

## Acheminement du tuyau de vidange

Le bon acheminement du tuyau de vidange protège vos planchers contre les dommages imputables à une fuite d'eau. Lire et suivre ces instructions.

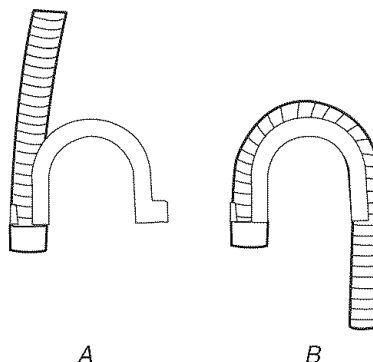
### Retirer le tuyau de vidange de la laveuse

Tirer doucement pour dégager le tuyau d'évacuation (matériau ondulé) des agrafes d'arrimage.



### Décharge de l'eau de lavage dans un évier de buanderie ou tuyau de rejet à l'égout

Connecter la bride de retenue pour tuyau de vidange sur le tuyau de vidange ondulé.



A. Emboîter une extrémité ou l'autre de la bride de retenue pour tuyau de vidange sur le tuyau de vidange, au point de commencement des ondulations.

B. Plier le tuyau de vidange pour le mettre au contact de la bride de retenue du tuyau de vidange, et emboîter l'autre extrémité de la bride sur le tuyau.

### Pour empêcher l'eau de vidange de refluer dans la laveuse :

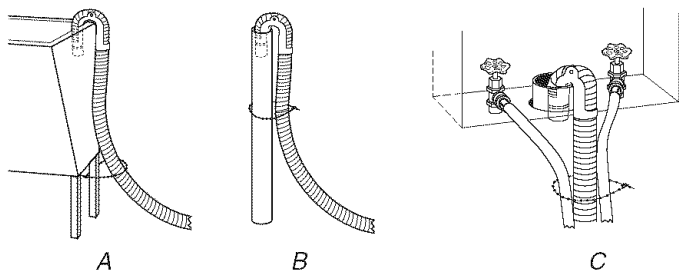
- Ne pas redresser le tuyau de vidange ni forcer l'excédent de tuyau dans le tuyau de rejet à l'égout. Le tuyau doit être bien immobilisé, tout en permettant le passage d'air.
- Ne pas mettre l'excédent du tuyau de vidange dans l'évier de buanderie.

### Égout au plancher

Il vous faudra peut-être des pièces supplémentaires. Voir Égout au plancher dans "Outils et pièces".

## Immobilisation du tuyau de vidange

1. Faire passer le cordon d'alimentation par-dessus la laveuse.
2. Déplacer la laveuse à son emplacement final.
3. Placer le tuyau de vidange dans l'évier de buanderie ou le tuyau de rejet à l'égout - voir l'illustration. Voir les illustrations A et B.



4. Si les robinets d'eau et le tuyau rigide de rejet à l'égout sont placés en retrait, introduire l'extrémité en crochet du tuyau de vidange dans le tuyau rigide de rejet à l'égout. Voir l'illustration C.

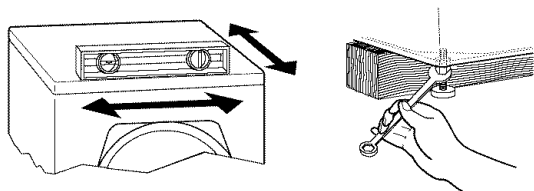
### REMARQUES :

- Ne pas forcer l'excédent de tuyau de vidange dans l'arrière de la laveuse.
- Pour éviter un effet de siphon, ne pas assurer l'étanchéité à la jonction entre le tuyau de vidange et le tuyau de rejet à l'égout.

## Réglage de l'aplomb de la laveuse

Un bon réglage de l'aplomb et l'immobilisation des pieds de la laveuse éviteront les bruits excessifs et les vibrations.

1. Vérifier que les quatre écrous de blocage sur les pieds de la laveuse sont serrés contre la caisse de la laveuse, en utilisant une clé plate de 14 mm.
2. Placer la laveuse à son emplacement final et vérifier l'aplomb de la laveuse. La laveuse ne doit pas bouger d'avant en arrière, latéralement ou transversalement lorsqu'on appuie sur les bords supérieurs. Vérifier que les quatre pieds sont stables et reposent sur le sol.



3. Si la laveuse n'est pas d'aplomb, la tirer légèrement vers l'extérieur avant de l'incliner vers l'arrière. Soulever d'abord l'avant avec un bloc de bois, desserrer les écrous de blocage et ajuster les pieds au besoin; soulever ensuite l'arrière et ajuster les pieds au besoin. Répéter les étapes 1 à 3 jusqu'à ce que la laveuse soit d'aplomb.

**IMPORTANT :** Les quatre pieds doivent être bien serrés. Si les écrous de blocage ne sont pas serrés contre la caisse de la laveuse, celle-ci risque de vibrer.

## Achever l'installation

1. Consulter les spécifications électriques. Vérifier que la tension électrique disponible est correcte et que la prise de courant est convenablement reliée à la terre. Voir "Spécifications électriques".
2. Vérifier que toutes les pièces sont maintenant installées. S'il reste une pièce, passer en revue les différentes étapes pour découvrir laquelle aurait été oubliée.
3. S'assurer d'avoir récupéré tous vos outils.
4. Jeter ou recycler tous les matériaux d'emballage.
5. Vérifier que chaque robinet d'arrivée d'eau est ouvert.
6. Vérifier s'il y a des fuites autour des robinets et des tuyaux d'arrivée d'eau.

## ⚠ AVERTISSEMENT



### Risque de choc électrique

- Brancher sur une prise à 3 alvéoles reliée à la terre.**
- Ne pas enlever la broche de liaison à la terre.**
- Ne pas utiliser un adaptateur.**
- Ne pas utiliser un câble de rallonge.**
- Le non-respect de ces instructions peut causer un décès, un incendie ou un choc électrique.**

7. Brancher sur une prise à 3 alvéoles reliée à la terre.
8. Lire "Utilisation de la laveuse".
9. Pour tester et nettoyer la laveuse, mesurer la moitié de la quantité de détergent HE Haute efficacité recommandée par le fabricant pour une charge de taille moyenne. Verser le détergent dans le distributeur de détergent. Sélectionner NORMAL/CASUAL (normal/tout-aller), puis START. Laisser la machine exécuter le programme complet.



Utiliser uniquement un détergent HE Haute efficacité.

# CARACTÉRISTIQUES ET AVANTAGES

Votre nouvelle laveuse haute efficacité à chargement frontal a été conçue pour préserver les ressources et diminuer vos factures d'eau et d'énergie. La laveuse est conçue pour déterminer puis fournir la quantité d'eau nécessaire à une performance optimale. Avec ce nouveau système, la durée de fonctionnement peut être supérieure à celle d'une laveuse conventionnelle.

## Commandes électroniques

Les commandes électroniques flexibles sont faciles à utiliser, que vous soyez un débutant ou un expert.

## Niveau d'eau automatique

En s'ajustant au volume de la charge, cette caractéristique permet à la laveuse d'utiliser la quantité d'eau minimum nécessaire au nettoyage et au rinçage des vêtements. Un faible niveau d'eau vous permet d'obtenir les mêmes résultats avec de plus petites quantités de produits. Étant donné que seule la quantité nécessaire d'eau est utilisée, la laveuse vous fait aussi économiser de l'énergie. Vous pouvez obtenir les mêmes résultats de lavage pour les petites charges et les charges dont le volume est plus important.

## Volume de charge plus important

L'absence d'agitateur permet de laver des articles plus grands et plus encombrants tels qu'un sac de couchage de taille moyenne. Vous pouvez aussi laver davantage de vêtements à la fois, ce qui signifie moins de charges. Vous pouvez laver un oreiller ou un gros ours en peluche.

## Système de suspension

Pour réduire le "déplacement" ou le "déséquilibre" de la laveuse, celle-ci combine :

- 2 ressorts pour isoler les vibrations
- 4 amortisseurs à la base de la laveuse pour minimiser le mouvement

## Tambour en acier inoxydable

Le tambour en acier inoxydable élimine la corrosion et permet des vitesses d'essorage plus élevées pour une meilleure extraction de l'eau et une réduction de la durée de séchage.

## Moteur adaptatif à vitesse variable

Le moteur s'adapte au volume de la charge et au programme sélectionné pour délivrer les meilleures conditions de nettoyage, de rinçage et d'essorage. Le moteur peut gérer les vitesses lentes nécessaires pour les articles délicats et est assez puissant pour amener une charge moyenne de vêtements à une vitesse d'essorage élevée.

## Vitesses d'essorage

Cette laveuse sélectionne automatiquement la vitesse d'essorage en fonction du programme sélectionné. Ce réglage effectué à l'usine peut toutefois être modifié. Cette laveuse offre jusqu'à trois choix de vitesses d'essorage différentes.

## Optimiseur thermique

Le système de chauffage garantit que l'eau de lavage est chauffée à la température préréglée pour les programmes Heavy Duty (service intense), Whitest Whites (blancs les plus blancs) et Sanitary (sanitaire). Il procure également un nettoyage par étapes avec le programme Sanitary (sanitaire). Le nettoyage par étapes débute le programme de lavage avec de l'eau tiède pour éliminer les taches (de sang ou d'herbe par exemple). L'eau continue d'être chauffée afin d'éliminer les taches telles que l'huile mécanique usagée. Le programme Sanitary aide également à éliminer à 99,999 % les trois bactéries infectieuses les plus communes (K. pneumonia, P. aureginosa et S. aureus).

## Add A Garment (ajouter un vêtement)

Cette option est disponible avec tous les programmes de lavage sauf Rinse/Spin (rinçage/essorage) et Drain/Spin (vidange/essorage). Lorsque cette option est disponible au début du programme, le témoin lumineux de l'état de l'élément "Ajouter un vêtement" s'allume pendant les 7 premières minutes. Cette laveuse octroie une période de 7 minutes pendant laquelle d'autres vêtements peuvent être ajoutés à la charge.

## Équilibre dynamique

Un système d'équilibrage de précision qui permet à la laveuse d'atteindre des vitesses d'essorage élevées. La laveuse essore plus vite pour que les vêtements sortant de la laveuse soient moins humides qu'avec les machines traditionnelles à chargement par le dessus. De plus, si le système d'équilibre dynamique détecte des charges déséquilibrées durant l'essorage, il redistribue les vêtements de façon à ce qu'ils soient répartis uniformément.

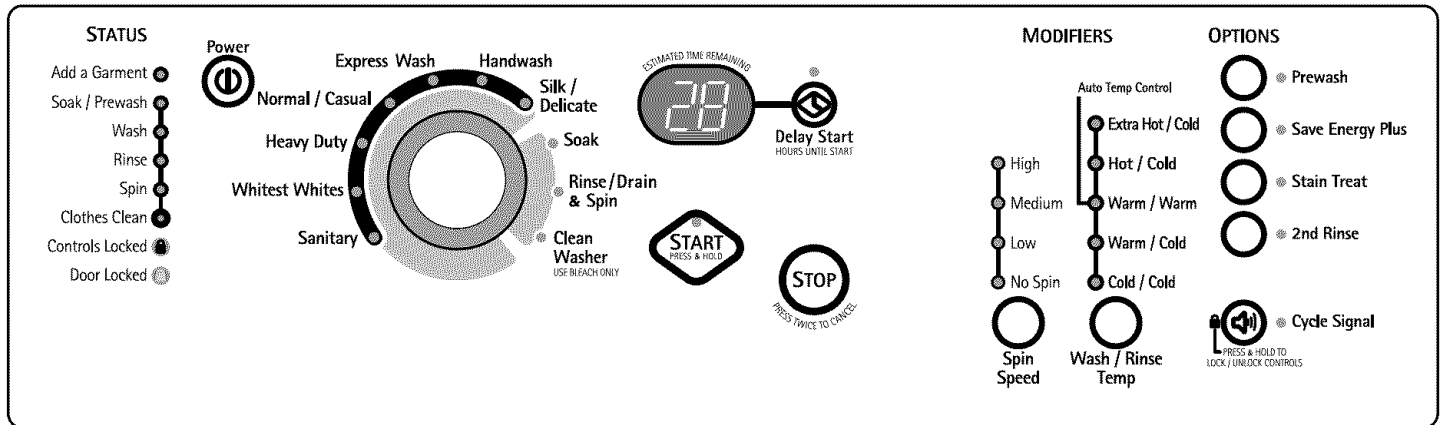
## Système supérieur de distribution de détergent

Les trois compartiments du distributeur permettent le chargement de tous les produits de lessive avant la mise en marche de la laveuse. Les produits seront distribués dans la laveuse au moment opportun pour un nettoyage performant. Le système de libération de l'agent de blanchiment est inclus dans le système supérieur de distribution de détergent. Le détergent est ajouté au début du programme et l'agent de blanchiment est ajouté une fois que les enzymes ont pu effectuer leur nettoyage. L'assouplissant de tissu sera distribué lors du programme de rinçage ou du deuxième rinçage, le cas échéant. Le plateau du système supérieur de distribution de détergent peut être retiré facilement pour le nettoyage.



Utiliser uniquement un détergent HE Haute efficacité.

# UTILISATION DE LA LAVEUSE



## Mise en marche de la laveuse

### ⚠ AVERTISSEMENT

**Risque d'incendie**

**Ne jamais mettre des articles humectés d'essence ou d'autres fluides inflammables dans la laveuse.**

**Aucune laveuse ne peut complètement enlever l'huile.**

**Ne pas faire sécher des articles qui ont été salis par tout genre d'huile (y compris les huiles de cuisson).**

**Le non-respect de ces instructions peut causer un décès, une explosion ou un incendie.**

**AVERTISSEMENT :** Pour réduire le risque d'incendie, de choc électrique ou de blessures corporelles, lire les INSTRUCTIONS IMPORTANTES DE SÉCURITÉ avant de faire fonctionner cet appareil.

Le texte suivant est un guide pour l'utilisation de la laveuse. Se référer aux sections spécifiques de ce manuel pour obtenir des renseignements plus détaillés.

Ne pas remiser des produits de lessive sur le dessus de cette laveuse. La vibration est normale durant le fonctionnement.

## Utilisation du détergent approprié

Utiliser uniquement des détergents Haute efficacité. Pour ce type de détergent, "HE" ou "Haute efficacité" sera mentionné sur l'emballage. Ce système de lavage, utilisant moins d'eau, provoquera trop de mousse avec un détergent ordinaire non-HE. L'utilisation d'un détergent ordinaire est susceptible d'occasionner des erreurs de la part de la laveuse, des durées de programmes plus longues et une performance de rinçage réduite. Ceci peut aussi entraîner des défaillances des composants et une moisissure perceptible. Les détergents HE sont conçus pour produire la quantité de mousse adéquate pour le meilleur rendement. Suivre les recommandations du fabricant pour déterminer la quantité de détergent à utiliser.



*Utiliser uniquement un détergent HE Haute efficacité.*

## Premier programme de lavage sans linge à laver

Avant de laver les vêtements pour la première fois, choisir un programme Normal/Casual (normal/tout-aller) et l'exécuter sans linge (si cela n'a pas déjà été fait au cours de l'étape d'installation finale). Utiliser uniquement un détergent HE Haute efficacité. Utiliser la moitié de la quantité recommandée par le fabricant pour une charge de taille moyenne. Ce programme préalable sert à garantir que l'intérieur est propre avant de laver des vêtements.

---

## Pour tous les programmes de lavage

---

### 1. Pour charger la laveuse

Ouvrir la porte de la laveuse en tirant sur la poignée. Trier le linge d'après la couleur et le type de tissu. Placer une charge de linge trié dans la laveuse. Ne pas surcharger la laveuse. Une surcharge peut causer un nettoyage médiocre.

- La laveuse peut être bien remplie mais le linge ne doit pas être tassé. La porte de la laveuse doit fermer facilement.
- Mélanger les gros et les petits articles. Éviter de laver un article seul. Charger la laveuse uniformément.
- Laver les petits articles tels que les chaussettes d'enfants dans un sac en filet pour le linge. Il est recommandé d'utiliser plus d'un sac pour le linge et de remplir chaque sac avec des quantités similaires.
- Lorsqu'on retire le linge, vérifier de temps en temps sous le joint/soufflet de couleur grise à l'avant de la cuve qu'il n'y ait pas de petits articles coincés.

2. Fermer la porte de la laveuse en la poussant fermement jusqu'à ce que le verrou s'enclenche. La porte de la laveuse demeurera verrouillée durant le programme de lavage.

**REMARQUE :** Lorsqu'un programme de lavage est terminé, la porte doit être ouverte puis refermée avant qu'un nouveau programme puisse commencer. La porte peut être ouverte seulement si STOP (arrêt) a été sélectionné alors que le témoin ADD A GARMENT (ajouter un vêtement) était allumé ou si le programme a été annulé. Voir "Pour annuler un programme" dans la section "Changement des programmes, options et modificateurs".

3. Ouvrir le tiroir distributeur et verser les produits de lessive dans les compartiments de détergent, d'agent de blanchiment ou d'assouplissant de tissu. Fermer le tiroir lentement pour éviter les renversements. Voir "Utilisation du distributeur".

**REMARQUE :** Utiliser uniquement des détergents HE Haute efficacité.

4. Mettre la laveuse en marche en sélectionnant POWER (alimentation). Sélectionner un des programmes en tournant le sélecteur de programme. Le témoin lumineux correspondant au programme sélectionné s'allumera. Lors de la sélection d'un programme de lavage, les pré-réglages des modificateurs, options, température de l'eau et vitesse d'essorage pour le programme sélectionné seront allumés. Les pré-réglages procurent les soins aux tissus recommandés pour le programme sélectionné. Voir "Programmes".
5. Sélectionner les OPTIONS désirées. Toutes les options ne sont pas disponibles avec tous les programmes. Voir "Options".
6. Sélectionner les MODIFICATEURS désirés. Tous les modificateurs ne sont pas disponibles avec tous les programmes et toutes les options. Voir "Modificateurs".
7. Si désiré, sélectionner le CYCLE SIGNAL (signal de programme). Le signal est utile lorsque vous lavez des articles qui doivent être enlevés de la laveuse aussitôt qu'elle s'arrête. Appuyer une fois sur CYCLE SIGNAL (signal de programme) pour l'activer. Le témoin lumineux s'allumera. Appuyer à nouveau pour le désactiver.

### 8. Pour commencer le programme de lavage immédiatement

Sélectionner START (pendant 1 seconde environ).

- Si vous n'appuyez pas sur START (mise en marche) dans les 5 minutes qui suivent le choix d'un programme, la laveuse s'éteint automatiquement.
- Lorsque le programme de lavage est terminé, le témoin de l'état d'avancement CLOTHES CLEAN (linge propre) s'allume, la porte se déverrouille et la charge peut être retirée de la laveuse. La laveuse s'éteint automatiquement 5 minutes après la fin du programme et le témoin CLOTHES CLEAN (linge propre) s'éteint. Pour éteindre manuellement la laveuse après la fin d'un programme de lavage, sélectionner STOP (arrêt) une fois.

### 9. Pour commencer le programme de lavage ultérieurement

Sélectionner DELAY START (mise en marche différée) jusqu'à ce que la durée souhaitée (en heures) apparaisse sur l'afficheur de la durée résiduelle estimée. Sélectionner START (mise en marche). La fenêtre d'affichage indique le compte à rebours jusqu'au programme de lavage.

**IMPORTANT :** En cas de mise en marche différée d'un programme, utiliser seulement des détergents en poudre dans le compartiment de lavage principal car les détergents liquides risquent de suinter hors du compartiment avant le début du programme de lavage.

---

## Utilisation du distributeur

Notre nouvelle laveuse comporte un tiroir distributeur avec trois compartiments séparés pour les produits de lessive - un pour le détergent, un pour l'agent de blanchiment liquide et un pour l'assouplissant de tissu liquide. Les produits de lessive sont dilués et distribués automatiquement au moment approprié durant le programme de lavage, ce qui évite à l'utilisateur de retourner à la laveuse durant le programme pour ajouter ces produits.

Il est normal que de petites quantités d'eau demeurent dans les distributeurs lorsque le programme de lavage est achevé.

Ne pas placer les produits de lessive directement dans la cuve de lavage. Toujours utiliser les distributeurs appropriés lors de l'ajout des produits de lessive.

---

## Choix du détergent approprié

---

Utiliser uniquement des détergents Haute efficacité. Pour ce type de détergent, "HE" ou "Haute efficacité" sera mentionné sur l'emballage. Ce système de lavage, utilisant moins d'eau, provoquera trop de mousse avec un détergent ordinaire non-HE. L'utilisation d'un détergent ordinaire est susceptible d'occasionner des erreurs de la part de la laveuse, des durées de programmes plus longues et une performance de rinçage réduite. Ceci peut aussi entraîner des défaillances des composants et une moisissure perceptible. Les détergents HE sont conçus pour produire la quantité de mousse adéquate pour le meilleur rendement. Suivre les recommandations du fabricant pour déterminer la quantité de détergent à utiliser.



Utiliser uniquement un détergent HE Haute efficacité.

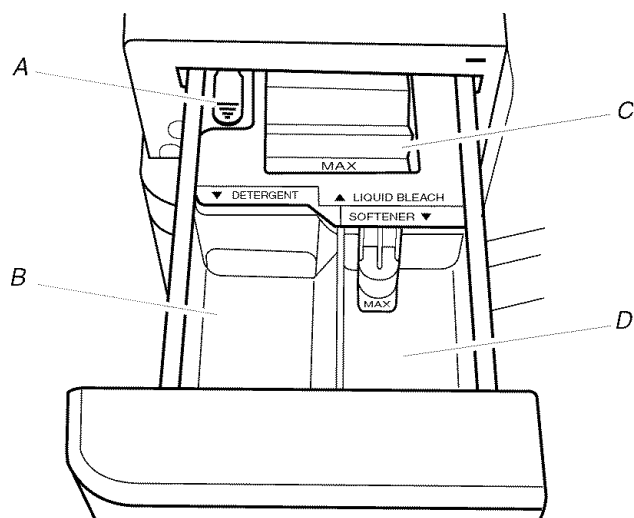
---

## Pour remplir les compartiments du distributeur

---

1. Tirer le tiroir distributeur.
2. Ajouter le produit de lessive désiré dans le compartiment approprié.

3. Enfoncer le tiroir distributeur lentement et complètement (pour éviter les renversements).



**Distributeur**

- A. Levier de dégagement du distributeur  
 B. Compartiment pour détergent du lavage principal  
 C. Compartiment pour agent de blanchiment liquide  
 D. Compartiment pour assouplissant de tissu

### Compartiment pour détergent du lavage principal

(Lettre B dans l'illustration du distributeur)

Verser le détergent HE liquide ou en poudre dans ce compartiment pour le programme de lavage principal.

- L'agent de blanchiment en poudre sans danger pour les couleurs peut être ajouté au compartiment du lavage principal avec le détergent en poudre.
- Utiliser le dispositif de mesure fourni avec le détergent. Ne pas verser davantage que la quantité recommandée par le fabricant.

**REMARQUE :** Un remplissage excessif pourrait causer un excès de mousse.

### Compartiment de l'agent de blanchiment

(Lettre C dans l'illustration du distributeur)

Ne pas verser PLUS de  $\frac{2}{3}$  de tasse (160 mL) d'agent de blanchiment liquide dans ce compartiment. L'agent de blanchiment sera automatiquement dilué et distribué au moment approprié au cours du premier rinçage après le programme de lavage. Ce compartiment ne peut diluer un agent de blanchiment en poudre.

- Utiliser seulement un agent de blanchiment liquide dans ce distributeur. Ne pas utiliser ce distributeur pour ajouter un agent de blanchiment en poudre ou tout agent de blanchiment sans danger pour les couleurs à votre charge de lavage.
- Toujours mesurer l'agent de blanchiment liquide. Utiliser une tasse à mesurer avec un bec verseur; ne pas utiliser une quantité approximative. Suivre les instructions du fabricant pour une utilisation en toute sécurité.
- Ne pas remplir au-delà du niveau "MAX".

**REMARQUE :** Un remplissage excessif pourrait causer des dommages aux vêtements.

### Compartiment pour assouplissant de tissu

(Lettre D dans l'illustration du distributeur)

- Ajouter  $\frac{1}{4}$  de tasse (60 mL) d'assouplissant de tissu liquide dans ce compartiment. L'assouplissant de tissu sera automatiquement distribué lors du rinçage final ou du deuxième rinçage, le cas échéant.
- Ne pas remplir au-delà du niveau "MAX".

### Pause et remise en marche

1. Pour faire faire une pause à la laveuse à tout moment, sélectionner STOP (arrêt).
2. Pour poursuivre le programme, sélectionner START (pendant environ 1 seconde).

### Changement des programmes, options et modificateurs

Toutes les options et tous les modificateurs ne sont pas disponibles avec tous les programmes.

Les programmes, options et modificateurs peuvent être changés à tout moment tant que START (mise en marche) n'a pas été sélectionné.

#### Pour arrêter un programme et en sélectionner un autre

1. Sélectionner une fois STOP (arrêt).
2. Sélectionner le programme désiré.
3. Sélectionner les MODIFICATEURS et OPTIONS désirés.
4. Sélectionner START (pendant environ 1 seconde) pour remettre la laveuse en marche au début du nouveau programme.

#### Pour annuler un programme

1. Sélectionner deux fois STOP (arrêt).
2. La laveuse s'éteint, la porte se déverrouille et les vêtements peuvent être retirés.

**REMARQUE :** Si le niveau d'eau ou la température est trop élevé(e), la laveuse effectuera automatiquement une vidange avant le déverrouillage de la porte.

#### Pour changer les options ou les modificateurs lorsque le programme a commencé

1. Sélectionner STOP (arrêt).
2. Sélectionner le MODIFICATEUR ou l'OPTION désiré(e). Si le modificateur ou l'option n'est pas disponible, la machine émet un bip.
3. Appuyer sur la touche START (pendant environ 1 seconde) pour poursuivre le programme.

#### Pour vidanger la laveuse manuellement

1. Sélectionner STOP (arrêt).
2. Sélectionner RINSE/DRAIN & SPIN.
3. Appuyer sur le bouton 2ND RINSE (2nd rinçage) pour désactiver l'option de second rinçage.
4. Sélectionner START (pendant environ 1 seconde) pour commencer la vidange.
5. Lorsque l'essorage est terminé, la porte se déverrouille. Les articles peuvent être retirés de la laveuse.

## Témoins lumineux

Ces témoins lumineux indiquent quelle portion du programme la laveuse est en train d'effectuer. Ils peuvent aussi indiquer à quel moment vous pouvez ajouter un article additionnel et à quel moment les commandes sont verrouillées.



### Ajout d'articles

Vous pouvez ajouter des articles dans la laveuse lorsque le programme de lavage a commencé si le témoin lumineux ADD A GARMENT (ajouter un vêtement) est allumé. Tous les programmes comportent cette caractéristique sauf Rinse/Spin (rinçage/essorage), Drain/Spin (vidange/essorage) et Clean Washer (nettoyage de la laveuse).

#### Pour ajouter des articles

1. Sélectionner STOP (arrêt). La porte de la laveuse se déverrouille et les articles peuvent être ajoutés.
2. Pour poursuivre le programme, fermer la porte et sélectionner START (pendant environ 1 seconde).

**REMARQUE :** Pour ajouter des articles une fois que la période ADD A GARMENT est terminée, il est nécessaire d'annuler le programme de lavage, d'ajouter les articles et de commencer un nouveau programme de lavage.

### Clothes Clean (linge propre)

Le témoin Clothes Clean (linge propre) s'allume lorsque le programme est terminé. Le témoin reste allumé jusqu'à ce que la porte soit ouverte.

### Verrouillage des commandes

La fonction Control Lock (verrouillage des commandes) empêche l'utilisation involontaire de la laveuse. Vous pouvez aussi utiliser la caractéristique de verrouillage des commandes pour empêcher des changements involontaires de programme ou d'option durant un programme. Lorsque CONTROLS LOCKED (commandes verrouillées) est allumé, tous les boutons sont désactivés à l'exception de STOP (arrêt) et POWER (alimentation). Vous pouvez verrouiller les commandes alors que la laveuse est en marche.

#### Pour verrouiller les commandes

Sélectionner CYCLE SIGNAL (signal de programme) pendant 3 secondes.



Le témoin lumineux CONTROLS LOCKED (commandes verrouillées) s'allume.

#### Pour déverrouiller les commandes

Sélectionner CYCLE SIGNAL (signal de programme) pendant 3 secondes jusqu'à ce que le témoin lumineux CONTROLS LOCKED (commandes verrouillées) s'éteigne.

### Durée résiduelle estimée

Les durées de programme varient automatiquement en fonction de la pression et de la température de l'eau, du détergent et de la charge de linge. La durée du programme sera prolongée en cas d'excès de mousse ou si la charge est déséquilibrée. La procédure contre la mousse élimine l'excès de mousse et permet un rinçage correct de vos vêtements. Les options sélectionnées affectent aussi les durées de programme qui sont mentionnées dans le tableau des pré réglages de programme. La durée résiduelle estimée peut changer jusqu'à 30 minutes dans des conditions extrêmes. Pendant la procédure de rééquilibrage, l'affichage du temps se mettra en pause jusqu'à ce que cette activité soit terminée, puis se réactivera pour le reste du programme.

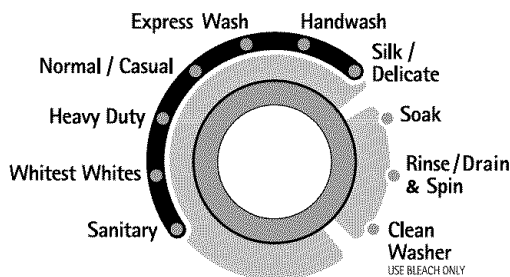
### Door Locked (porte verrouillée)

Lorsque le témoin lumineux s'allume, la porte est verrouillée.

## Programmes

### Programmes de lavage

Choisir le programme de lavage en tournant le bouton de sélection de programme au programme désiré. Le témoin lumineux correspondant au programme sélectionné s'allumera. Chaque programme est conçu pour différents types de tissu et niveaux de saleté.



- Chaque programme comporte une durée de programme, une température de lavage/rinçage et une vitesse d'essorage pré réglées et peut comporter des options et modificateurs pré établis. Les pré réglages procurent les soins aux tissus recommandés pour le programme sélectionné.
- Les pré réglages peuvent être modifiés à tout moment tant que START (mise en marche) n'a pas été sélectionné. Toutes les options et tous les modificateurs ne sont pas disponibles avec tous les programmes. Pour modifier les réglages après le début d'un programme, sélectionner STOP (arrêt) puis sélectionner les réglages désirés. Appuyer sur la touche START [pendant environ 1 seconde] pour poursuivre le programme.

## Préréglages de programme

Chaque programme comporte une durée de programme, une température de l'eau et une vitesse d'essorage pré-réglées. Les pré-réglages procurent les soins aux tissus recommandés pour le programme sélectionné. Voir le tableau.

Programme	Durée estimée* (hr:min)	Température de lavage/ rinçage	Vitesse d'essorage
<b>Sanitary (sanitaire)</b>	3H	Extra Hot (très chaude)	High (élevée)
<b>Whitest Whites (blancs les plus blancs)</b>	2H	Hot (chaude)	High (élevée)
<b>Heavy Duty (service intense)</b>	2H	Hot (chaude)	High (élevée)
<b>Normal/Casual (normal/tout-aller)</b>	:56	Warm (tiède)	High (élevée)
<b>Express Wash (lavage rapide)</b> (2-3 articles)	:30	Warm (tiède)	High (élevée)
<b>Handwash (lavage à la main)</b>	:37	Cold (froide)	Low (basse)
<b>Silk/Delicate (soie/articles délicats)</b>	:34	Cold (froide)	Low (basse)
<b>Soak (trempage)</b>	:30	Warm (tiède)	N/A
<b>Rinse/Drain &amp; Spin (rinçage/vidange et essorage)</b>	:26	Cold (froide)	High (élevée)
<b>Drain &amp; Spin (vidange et essorage)</b>	:14	N/A	High (élevée)
<b>Clean Washer (nettoyage de la laveuse)</b>	:56	N/A	High (élevée)

\*Les durées de programme varient automatiquement en fonction de la pression et de la température de l'eau, du détergent et de la charge de linge. La durée du programme sera prolongée en cas d'excès de mousse ou si la charge est déséquilibrée.

## Sanitary (sanitaire)

Utiliser ce programme pour nettoyer les tissus grand teint très sales. Ce programme combine une température d'eau très chaude et un culbutage à vitesse rapide pour aider à assurer l'élimination des saletés intenses et des taches. Il est recommandé de régler votre chauffe-eau à 120°F (49°C) pour assurer un rendement approprié durant ce programme.

## Whitest Whites (blancs les plus blancs)

Ce programme est spécialement conçu pour le nettoyage de charges de linge blanc sale avec ajout d'agent de blanchiment. Les températures de lavage élevées assurent un fonctionnement optimal de l'agent de blanchiment. Un rinçage additionnel fournit une performance de rinçage optimale pour éviter les résidus de chlore sur votre lessive. Ce programme combine un culbutage à vitesse rapide, une durée de lavage prolongée et un essorage à vitesse élevée pour réduire la durée de séchage.

## Heavy Duty (service intense)

Utiliser ce programme pour laver des charges de vêtements robustes, aux couleurs grand teint et très sales. Ce programme combine un culbutage à vitesse rapide, une durée de lavage prolongée et un essorage à vitesse élevée pour réduire les durées de séchage.

## Normal/Casual (normal/tout-aller)

Utiliser ce programme pour laver des charges de tissus qui ne se repassent pas tels que chemises de sport, chemisiers, vêtements de travail tout-aller, mélanges à pressage permanent, coton et linge de maison et tissus synthétiques. Ce programme combine un culbutage à vitesse moyenne, un essorage à vitesse élevée et un processus de refroidissement de la charge pour réduire le froissement.

## Express Wash (lavage rapide)

Utiliser ce programme pour laver des petites charges de 2-3 articles légèrement sales dont on a besoin rapidement. Ce programme combine un culbutage à vitesse rapide, une durée de lavage plus courte et un essorage à vitesse très élevée pour réduire la durée de séchage. Les grandes charges prolongent la durée de lavage.

## Handwash (lavage à la main)

Utiliser ce programme pour nettoyer les lainages et les vêtements nécessitant un soin spécial. (Consulter les consignes de l'étiquette pour s'assurer que le vêtement est lavable.) Comparable à la façon dont les vêtements sont lavés à la main dans un évier, l'action de lavage de ce programme combine des périodes de culbutage à vitesse extra basse et de trempage. Des vitesses d'essorage faibles réduisent les faux plis.

- Utiliser des sacs en filet pour laver les sous-vêtements tels que les soutiens-gorge à armature, les articles avec ficelles et les articles de petite taille tels que les chaussettes.

## Silk/Delicate (soie/articles délicats)

Utiliser ce programme pour nettoyer la soie et les vêtements ultra-déliés. (Consulter les consignes de l'étiquette pour s'assurer que le vêtement est lavable.) Ce programme culbute et vidange délicatement sans essorer afin de laver en douceur les vêtements et réduire les faux plis. Les vêtements conserveront une grande quantité d'eau à la fin de ce programme en raison de l'absence d'essorage.

- Utiliser des sacs en filet, au besoin.

## Soak (trempage)

Utiliser le programme de trempage pour enlever les petites taches fixées sur les tissus. Ce programme comporte une période de trempage dans l'eau tiède ou froide, suivie d'une vidange. Une courte phase de culbutage pour une distribution uniforme de la lessive [Extra water (eau excédentaire)], et une durée de trempage sans culbutage permettent un enlèvement plus efficace des taches tenaces. Vidanger sans essorer permet de prendre soin des articles, même les plus délicats.

### Utilisation du programme Soak (trempage) :

- Ajouter du détergent uniquement dans le compartiment de lavage principal du tiroir distributeur.
- Sélectionner SOAK (trempage).
- Choisir la température de trempage désirée.
- Appuyer sur la touche START (mise en marche) (1 seconde environ).
- Lorsque le programme de trempage est terminé, il est nécessaire de commencer un programme de lavage pour achever le nettoyage des vêtements.

## Rinse/Drain & Spin (rinçage/vidange et essorage)

Utiliser ce programme pour rincer, vidanger et essorer la charge de lavage. Ce programme combine un culbutage à vitesse élevée et un essorage à vitesse élevée. Si désiré, on peut réduire la vitesse d'essorage en sélectionnant la vitesse souhaitée à partir du modificateur SPIN SPEED (vitesse d'essorage).

### Le programme Rinse/Drain & Spin est utile pour

- Les charges qui nécessitent un rinçage uniquement.
- Ajouter de l'assouplissant de tissu à une charge en utilisant le distributeur d'assouplissant de tissu.

## Drain & Spin (vidange et essorage)

Utiliser ce programme pour vidanger la laveuse ou pour vidanger et essorer la charge de lavage. La vitesse d'essorage est préréglée à High (élevée). Si désiré, on peut réduire la vitesse d'essorage en sélectionnant la vitesse souhaitée à partir du modificateur SPIN SPEED (vitesse d'essorage).

**REMARQUE :** Les charges de vêtements synthétiques, tissus délicats, articles lavables à la main et lainages doivent être vidangés sans essorage ou avec essorage à basse vitesse pour ne pas déformer les tissus.

### Utilisation du réglage DRAIN & SPIN

- Sélectionner le programme RINSE/DRAIN & SPIN (rinçage/vidange et essorage).
- Appuyer sur le bouton 2ND RINSE (2nd rinçage) pour désactiver l'option de rinçage.
- Appuyer sur START (mise en marche).

## Clean Washer (nettoyage de la laveuse)

Utiliser le programme Clean Washer une fois par mois pour conserver l'intérieur de la laveuse frais et propre. Ce programme utilise un niveau d'eau plus élevé en combinaison avec l'agent de blanchiment liquide pour nettoyer à fond l'intérieur de la machine à laver. Voir "Nettoyage de la laveuse".

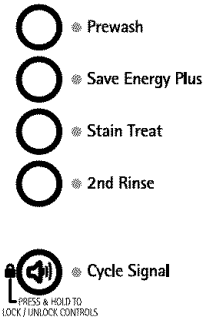
**IMPORTANT :** Ne pas placer de vêtements ou autres articles dans la laveuse pendant le programme Clean Washer. Utiliser ce programme avec un tambour de lavage vide.

## Sons normaux

Comme avec tout nouveau produit, vous entendrez des sons auxquels vous n'êtes pas habitués. Vous pouvez entendre différents sons lors du verrouillage/déverrouillage de la porte et durant le processus de lavage, rinçage ou essorage. Entre les changements dans les actions de lavage, la laveuse fera des pauses momentanées. Vous entendrez le bruit de la pulvérisation et de l'éclaboussement de l'eau pendant les programmes de lavage et de rinçage. Ces nouveaux sons et pauses font partie du fonctionnement normal de la laveuse. Voir "Dépannage".

## Options

Vous pouvez personnaliser votre lavage en ajoutant des options à vos sélections de programme. Vous pouvez ajouter ou modifier une option après le début d'un programme à tout moment avant la mise en marche de l'option sélectionnée. Toutes les options ne sont pas disponibles avec tous les programmes.



- Consulter la section "Guide de lessivage" pour un aperçu des options possibles pour chaque sélection de programme de lavage.
- Si une option est disponible avec un programme sélectionné, le témoin lumineux pour cette option s'allume au moment de la sélection.
- Si une option n'est pas disponible avec un programme sélectionné, un bref signal sonore est émis et le témoin lumineux pour cette option ne s'allume pas au moment de la sélection.

## Prewash (pré lavage)

Utiliser cette option pour des charges d'articles très sales qui nécessitent un prétraitement.

- Ajouter du détergent dans le compartiment de lavage principal du tiroir distributeur.

Cette option ajoute un temps de culbutage avant le programme principal sélectionné. La laveuse enchaîne automatiquement du programme de pré lavage au programme de lavage principal.

## Save Energy Plus (économie d'énergie Plus)

L'option Save Energy Plus vous permet d'augmenter les économies d'énergie sur les programmes à température plus élevée (Whites/Blancs les plus blancs et Heavy Duty/service intense) tout en préservant la performance de lavage grâce à une prolongation de la durée de lavage d'environ 16 minutes.

**REMARQUE :** Pour un meilleur rendement énergétique, utiliser le programme Normal/Casual (normal/tout-aller).

## Stain Treat (traitement des taches)

Utiliser cette option pour des charges de vêtements très sales qui nécessitent un traitement renforcé contre les taches. Lorsque l'option Stain Treat est sélectionnée, la température de l'eau du programme de lavage sélectionné est automatiquement réglée à Warm (tiède). L'eau sera ensuite chauffée pour atteindre une température élevée afin de favoriser l'élimination des taches. Cette option permettra l'élimination optimale des souillures organiques telles que le sang.

### REMARQUES :

- Si l'option Stain Treat est sélectionnée avec le programme Sanitary (sanitaire), l'eau sera chauffée pour atteindre une température très élevée.
- Les options Stain Treat (traitement des taches) et Energy Saver (économie d'énergie) ne peuvent pas être sélectionnées au cours du même programme.

## 2nd Rinse (2nd rinçage)

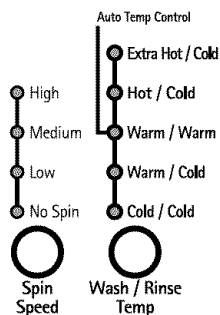
Un second rinçage peut être effectué pour favoriser l'élimination des résidus de détergent ou d'agent de blanchiment sur les vêtements. Cette option fournit un rinçage additionnel avec une eau à la même température que pour le rinçage normal.

## Signal de programme

Ce signal est utile lorsque vous retirez les articles de la laveuse aussitôt qu'elle s'arrête. Sélectionner ON (marche) ou OFF (arrêt).

## Modificateurs

Les pré-réglages de programme pour la température de l'eau de lavage/rinçage et la vitesse d'essorage peuvent être modifiés. Vous pouvez changer un modificateur après le début d'un programme à tout moment avant la mise en marche du modificateur sélectionné. Tous les modificateurs ne sont pas disponibles avec toutes les options et tous les programmes.



- Pour modifier la vitesse d'essorage, sélectionner le bouton SPIN SPEED (vitesse d'essorage) jusqu'à ce que le réglage désiré s'allume.
- Pour modifier la température de l'eau, sélectionner le bouton WASH/RINSE TEMP (température de lavage/rinçage), jusqu'à ce que le réglage désiré s'allume.

## Température de lavage/rinçage

Sélectionner une température de l'eau selon le type de charge à laver. Utiliser l'eau de lavage la plus chaude sans danger pour les tissus. Suivre les instructions sur l'étiquette des vêtements.

Les rinçages à l'eau tiède permettent un meilleur séchage que les rinçages à froid. Les rinçages à l'eau tiède augmentent le froissement. Dans les climats froids, un rinçage à l'eau tiède facilite la manipulation de la charge. Les rinçages à froid économisent de l'énergie.

## Guide de température

Température de l'eau de lavage	Tissus suggérés
<b>EXTRA HOT (très chaude)</b>	Tissus grand teint robustes Saleté intense
<b>HOT (chaude)</b>	Blancs et couleurs claires Saleté intense
<b>WARM (tiède)</b>	Couleurs vives Saletés modérées à légères
<b>COLD (froide)</b>	Couleurs qui déteignent ou s'atténuent Saletés légères

Dans les températures d'eau de lavage inférieures à 60°F (15,6°C), les détergents ne se dissolvent pas bien. Les saletés peuvent être difficiles à enlever.

## Commande automatique de la température

La Commande automatique de la température (CAT) détecte et maintient électroniquement une température uniforme de l'eau. La CAT régule l'arrivée d'eau chaude et d'eau froide. La fonction CAT est automatiquement activée lorsqu'un programme est sélectionné. Voir le tableau des pré-réglages de programmes dans "Programmes".

- La fonction CAT fonctionne pour la température de lavage avec les réglages Extra Hot/Cold (très chaude/froide), Hot/Cold (chaude/froide), Warm/Warm (tiède/tiède), Warm/Cold (tiède/froide) et Cold/Cold (froide/froide).
- La fonction CAT fonctionne pour la température de rinçage avec le réglage Warm/Warm (tiède/tiède).
- Les températures de rinçage à froid dépendent de la température de l'eau froide au robinet.

## Guide de lessivage

Consulter ce tableau pour les types de charges suggérés et le programme correspondant. Pour chacun des programmes de la laveuse, les options disponibles sont indiquées à droite.

PROGRAMME	TYPE DE CHARGE SUGGÉRÉ	OPTIONS DISPONIBLES					
		Delay Start (mise en marche différée)	Prewash (prélavage)	Save Energy Plus (économie d'énergie Plus)	Stain Treat (traitement des taches)	2nd Rinse (2nd rinçage)	Cycle signal (signal de programme)
<b>Sanitary (sanitaire)</b>	Articles très sales tels que sous-vêtements, serviettes, vêtements de travail, couches, etc.	✓				✓	✓
<b>Whitest Whites (blancs les plus blancs)</b>	Tissus blancs sales	✓	✓	✓	✓	✓	✓
<b>Heavy Duty (service intense)</b>	Articles très sales tels que sous-vêtements, serviettes, chemises, etc., en coton	✓	✓	✓	✓	✓	✓
<b>Normal/Casual (normal/tout-aller)</b>	Articles normalement sales tels que chemisiers, chemises, salopettes, etc. en polyester, nylon, coton, lin ou mélanges de coton	✓	✓		✓	✓	✓
<b>Express Wash (lavage rapide)</b>	Petites charges de 2-3 articles en coton, polyester, nylon, et mélanges de coton légèrement sales	✓				✓	✓
<b>Handwash (lavage à la main)</b>	Lainages avec un fini non feutré et articles nécessitant un soin particulier, lavables en machine.	✓					✓
<b>Silk/Delicate (soie/articles délicats)</b>	Articles en soie et délicats lavables en machine.	✓				✓	✓
<b>Soak (trempage)</b>	Toutes les charges	✓				✓	✓
<b>Rinse/Drain &amp; Spin (rinçage/vidange et essorage)</b>	Toutes les charges	✓					✓
<b>Clean Washer (nettoyage de la laveuse)</b>	Pas de vêtement	✓					✓

# CONSEILS DE LESSIVAGE

## Préparation des vêtements pour le lavage

Suivre les recommandations suivantes pour prolonger la vie de vos vêtements.

- Utiliser uniquement des détergents Haute efficacité. Pour ce type de détergent, "HE" ou "Haute efficacité" sera mentionné sur l'emballage. Ce système de lavage, utilisant moins d'eau, provoquera trop de mousse avec un détergent ordinaire non-HE. L'utilisation d'un détergent ordinaire est susceptible d'occasionner des erreurs de la part de la laveuse, des durées de programmes plus longues et une performance de rinçage réduite. Ceci peut aussi entraîner des défaillances des composants et une moisissure perceptible. Les détergents HE sont conçus pour produire la quantité de mousse adéquate pour le meilleur rendement. Suivre les recommandations du fabricant pour déterminer la quantité de détergent à utiliser.



*Utiliser uniquement un détergent HE Haute efficacité.*

- Fermer les fermetures à glissière, les boutons pression et les crochets pour éviter d'accrocher d'autres articles. Retirer les épingles, boucles et autres objets durs pour éviter d'égratigner l'intérieur de la laveuse. Ôter les garnitures et les ornements non lavables.
- Vider les poches et les retourner.
- Retourner les revers et enlever la charpie et la poussière avec une brosse.
- Retourner les tricots synthétiques pour éviter le boulochage.
- Attacher les cordons et les ceintures pour empêcher l'emmêlement.
- Raccorder les déchirures, les ourlets défaits et les coutures.
- Traiter les taches.
- Les vêtements tachés ou mouillés doivent être lavés sans délai pour obtenir les meilleurs résultats.
- Mélanger les petits articles avec les gros, éviter de laver un article seul et répartir la charge de façon égale dans la laveuse.
- Laver les petits articles tels que les chaussettes d'enfants dans un sac en filet pour le linge. Pour obtenir une charge équilibrée, on recommande d'utiliser plus d'un sac et de remplir chaque sac avec des quantités similaires.

**REMARQUE :** Si vous lavez uniquement des petits articles, il est recommandé d'utiliser plus d'un sac et de remplir chaque sac avec des quantités similaires.

## Tri

- Séparer les articles très sales des articles légèrement sales, même si on les lave normalement ensemble. Séparer les articles qui forment de la charpie (serviettes, chenille) des articles qui retiennent la charpie (velours côtelé, synthétiques, pressage permanent). Dans la mesure du possible, retourner les articles qui forment de la charpie.
- Séparer les couleurs foncées des couleurs claires et les articles grand teint des articles qui déteignent.
- Trier en fonction des tissus et de la confection (cotons solides, tricots, articles délicats).

## Déchargement

- Retirer les vêtements de la laveuse une fois que le programme est terminé. Des objets en métal comme les fermetures à glissière, les boutons-pression et les boucles peuvent rouiller si on les laisse longtemps dans le panier de la laveuse.
- Lorsqu'on retire le linge, vérifier de temps en temps sous le joint de couleur grise à l'avant de la cuve qu'il n'y ait pas de petits articles coincés.

## Chargement

### Suggestions de chargement

#### Vêtements de travail lourds

2 pantalons	3 jeans
3 chemises	1 salopette

#### Charge mixte

2 draps doubles ou 1 drap de très grande taille	6 shorts
4 taies d'oreiller	2 chemises
6 tee-shirts	2 chemisiers
	6 mouchoirs

#### Serviettes

8 serviettes de bain	10 débarbouillettes
8 serviettes à main	1 tapis de bain

#### Articles délicats

3 camisoles	2 soutiens-gorge
4 jupons	2 chemises de nuit
4 culottes	











#### Programme EXPRESS WASH

##### (lavage rapide)

(2-3 vêtements)

2 chemises habillées
1 pantalon habillé

## Guide pour l'élimination des taches

Tache	Utiliser un agent de blanchiment au chlore liquide ou sans danger pour les couleurs	Utiliser I2 programme de lavage suggéré	Tache	Utiliser un agent de blanchiment au chlore liquide ou sans danger pour les couleurs	Utiliser le programme de lavage suggéré
 Encre	✓	Whitest Whites (blancs les plus blancs)	 Herbe	✓	Whitest Whites (blancs les plus blancs)
 Sang	✓	Cold (froide) ou Warm (tiède) Prewash (prélavage) Normal/Casual (normal/tout-aller)	 Produits à base de tomate	✓	Whitest Whites (blancs les plus blancs)
 Café/ chocolat	✓	Warm/Soak (tiède/ trempage) Prewash (prélavage) Whitest Whites (blancs les plus blancs)	 Boue	✓	Warm/Soak (tiède/ trempage) Prewash (prélavage) Whitest Whites (blancs les plus blancs)
 Produits de beauté		Heavy Duty (service intense)	 Déodorants		Heavy Duty (service intense)
 Huile de moteur usagée		Warm/Soak (tiède/ trempage) Prewash (prélavage) Heavy Duty (service intense)	 Anneau autour du col	✓	Normal/Casual (normal/tout-aller)

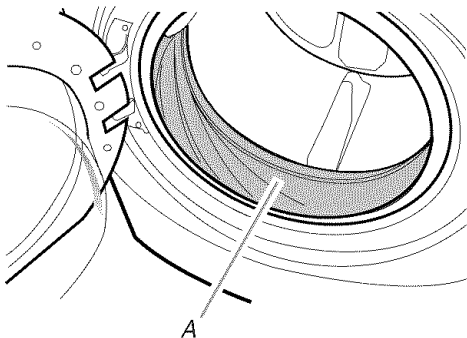
Ne pas faire culbuter des articles secs sales ou tachés. La chaleur risque de fixer les taches de façon permanente.

# ENTRETIEN DE LA LAVEUSE

## Nettoyage de la laveuse

### Nettoyage du joint/soufflet de la porte

1. Ouvrir la porte de la laveuse et retirer tout vêtement ou article de la laveuse.
2. Examiner le joint/soufflet de couleur grise entre l'ouverture de la porte et le panier pour déceler des zones tachées. Tirer sur le joint/soufflet pour examiner toutes les zones sous le joint/soufflet et voir s'il n'y a pas d'objets étrangers.



A. Joint/soufflet

3. Si des zones tachées sont décelées, essuyer ces zones en respectant la procédure indiquée ci-dessous.
  - a) Mélanger une solution diluée en utilisant  $\frac{3}{4}$  de tasse (177 mL) d'agent de blanchiment liquide et 1 gal. (3,8 L) d'eau tiède du robinet.
  - b) Essuyer la zone du joint/soufflet avec la solution diluée, en utilisant un chiffon humide.
  - c) Laisser agir pendant 5 minutes.
  - d) Essuyer la zone complètement avec un chiffon sec et laisser l'intérieur de la laveuse sécher avec la porte ouverte.

#### IMPORTANT :

- Porter des gants en caoutchouc en cas de nettoyage pendant une période prolongée.
- Consulter les instructions du fabricant de l'agent de blanchiment pour une utilisation correcte.

### Procédure d'entretien de la laveuse

Cette laveuse comporte un programme spécial qui utilise des volumes d'eau plus importants en combinaison avec l'agent de blanchiment liquide pour nettoyer à fond l'intérieur de la laveuse.

#### REMARQUES :

- Lire ces instructions complètement avant de débiter la procédure de nettoyage.
- Si nécessaire, le programme de nettoyage peut être interrompu en appuyant sur le bouton STOP (arrêt). Ceci arrêtera le programme. Un programme RINSE/DRAIN & SPIN (rinçage/vidange et essorage) doit alors être effectué afin d'éliminer complètement l'agent de blanchiment de la laveuse. Le non-respect de cette procédure peut causer des dommages à la laveuse et aux vêtements ajoutés lors du programme suivant.

### Début de la procédure

1. Ouvrir la porte de la laveuse et retirer tout vêtement ou article de la laveuse.
2. Vérifier que la porte est fermée.
3. Ouvrir le tiroir distributeur et ajouter immédiatement  $\frac{2}{3}$  de tasse (160 mL) d'agent de blanchiment au chlore liquide au compartiment d'agent de blanchiment.

**REMARQUE :** Ne pas verser de détergent pour ce programme. L'utilisation de plus de  $\frac{2}{3}$  de tasse (160 mL) d'agent de blanchiment occasionnera, avec le temps, des dommages au produit.

4. S'assurer que le tiroir distributeur est fermé.
5. Sélectionner le programme CLEAN WASHER (nettoyage de la laveuse).
6. Appuyer sur START (mise en marche).

**REMARQUE :** Le panier pivotera, la porte se déverrouillera, se verrouillera à nouveau et enfin le programme se poursuivra.

- La machine ne se remplira pas mais le panier pivotera alors que la laveuse effectuera un court programme de détection. Ceci prendra environ 3 minutes.

7. Le programme déterminera si des vêtements ou autres articles se trouvent dans la laveuse.
  - a) Si aucun article n'est détecté dans la laveuse, il passera à l'étape 8.
  - b) Si des articles sont détectés dans la laveuse, tous les témoins lumineux clignoteront, "rL" ou "F-34" s'affichera et les témoins WASH (lavage) et CONTROLS LOCKED (commandes verrouillées) resteront allumés. La porte se déverrouillera.
    - Appuyer sur STOP (arrêt) pour annuler le code d'échec. Puis répéter les étapes 1, 2 et 6 pour remettre le programme en marche.
8. Une fois que le programme a commencé, laisser le programme s'achever.
9. À la fin du programme, laisser la porte légèrement ouverte, pour permettre une meilleure ventilation et le séchage de l'intérieur de la laveuse.

### Toujours suivre la procédure qui suit pour préserver la fraîcheur de la laveuse

- Utiliser uniquement un détergent HE Haute efficacité.
- Laisser la porte légèrement ouverte après chaque programme pour permettre une meilleure ventilation et le séchage de l'intérieur de la laveuse.
- Répéter la procédure d'entretien chaque mois, en utilisant  $\frac{2}{3}$  de tasse (160 mL) d'agent de blanchiment au chlore liquide.
- Si la procédure ne permet pas de remédier suffisamment aux problèmes de fraîcheur de la machine, veuillez examiner les conditions d'installation et d'utilisation pour déceler d'autres causes.

---

## Nettoyage de l'extérieur

---

Utiliser une éponge ou un linge doux humide pour essuyer les renversements. Essuyer occasionnellement les surfaces externes de la laveuse pour maintenir son apparence d'appareil neuf. Utiliser un savon doux et de l'eau. Ne pas utiliser des produits abrasifs.

---

## Nettoyage du tiroir distributeur

---

Le tiroir distributeur est amovible pour faciliter le nettoyage.

1. Déverrouiller le tiroir distributeur en appuyant sur le levier de dégagement. Voir "Utilisation du distributeur". Retirer le tiroir.
2. Ôter les inserts (le siphon des compartiments de l'assouplissant de tissu et de l'agent de blanchiment).
3. Laver les pièces sous l'eau du robinet.

**REMARQUE :** Ne pas laver les composants au lave-vaisselle.

4. Réinstaller les inserts et remettre le distributeur dans le tiroir.

---

## Robineaux d'arrivée d'eau

Remplacer les tuyaux d'arrivée d'eau après cinq ans d'utilisation pour réduire le risque de défaillance intempestive. Inspecter périodiquement les tuyaux; les remplacer en cas de renflement, de déformation, de coupure et d'usure ou si une fuite se manifeste.

Lors du remplacement des tuyaux d'arrivée d'eau, inscrire la date du remplacement.

---

## Précautions à prendre avant les vacances, un entreposage ou un déménagement

Installer et ranger la laveuse à l'abri du gel. L'eau qui peut rester dans les tuyaux risque d'abîmer la laveuse en temps de gel. Si la laveuse doit faire l'objet d'un déménagement ou de remisage au cours d'une période de gel, préparer l'appareil pour l'hiver.

### Entretien en cas de non-utilisation ou de période de vacances :

Faire fonctionner la laveuse seulement lorsqu'on est présent. Si vous devez partir en vacances ou ne pas utiliser la laveuse pendant une période prolongée, vous devez exécuter les opérations suivantes :

- Débrancher la laveuse ou déconnecter la source de courant électrique.
- Fermer l'alimentation d'eau de la laveuse. Ceci aide à éviter les inondations accidentelles (dus à une augmentation de la pression) quand vous êtes absent.
- Ouvrir légèrement la porte pour fournir une ventilation.

---

## Préparation de la laveuse pour l'hiver :

---

1. Verser 1 pinte (1 L) d'antigel pour véhicule récréatif dans le tambour.
2. Faire exécuter à la laveuse un programme Drain & Spin (vidange et essorage).
3. Débrancher la laveuse ou déconnecter la source de courant électrique.
4. Fermer les deux robinets d'eau.
5. Débrancher les tuyaux d'arrivée d'eau des robinets et les vider.

---

## Remise en marche de la laveuse :

---

1. Vidanger les canalisations d'eau.
2. Reconnecter les tuyaux d'arrivée d'eau aux robinets.
3. Ouvrir les deux robinets d'eau.

## ⚠ AVERTISSEMENT



### Risque de choc électrique

**Brancher sur une prise à 3 alvéoles reliée à la terre.**

**Ne pas enlever la broche de liaison à la terre.**

**Ne pas utiliser un adaptateur.**

**Ne pas utiliser un câble de rallonge.**

**Le non-respect de ces instructions peut causer un décès, un incendie ou un choc électrique.**

4. Brancher la laveuse ou reconnecter la source de courant électrique.
5. Faire exécuter à la laveuse un programme Normal/Casual (normal/tout-aller) avec la moitié de la quantité normale recommandée de détergent HE pour une charge moyenne, afin de nettoyer la laveuse et enlever l'antigel, le cas échéant.

---

## Transport de la laveuse :

---

1. Si la laveuse doit être déplacée en temps de gel, verser une pinte (1 L) d'antigel pour véhicule récréatif dans le tambour. Faire exécuter à la laveuse un programme Drain & Spin (vidange et essorage).
2. Débrancher le cordon d'alimentation.
3. Débrancher le tuyau de vidange du système de vidange et le fixer aux pinces du panneau arrière.
4. Fermer les deux robinets d'eau.
5. Déconnecter les tuyaux d'arrivée d'eau des robinets puis vidanger les tuyaux et les fixer au panneau arrière de la laveuse.
6. **IMPORTANT :** Faire un appel de service. Ne pas réutiliser les vis de calage. La laveuse doit être transportée en position verticale. Pour éviter des dommages concernant la suspension et la structure, votre appareil doit être correctement monté pour une réinstallation ultérieure par un technicien certifié.

---

## Réinstallation de la laveuse

---

1. Suivre les "Instructions d'installation" pour choisir l'emplacement, régler l'aplomb de la laveuse et la raccorder.
2. Faire exécuter à la laveuse un programme Normal/Casual (normal/tout-aller) avec la moitié de la quantité normale recommandée de détergent HE pour une charge moyenne, afin de nettoyer la laveuse et enlever l'antigel, le cas échéant.

# DÉPANNAGE

Essayer d'abord les solutions suggérées ici pour éviter possiblement le coût d'une visite de service....

## La laveuse et ses composants

### Codes d'erreur

Un code d'erreur peut apparaître sur l'afficheur de la durée résiduelle estimée. Consulter la liste ci-dessous pour identifier le problème éventuel et effectuer les vérifications nécessaires.

- **“F20” affiché (problème d'admission d'eau - absence d'eau ou alimentation insuffisante en eau)**  
Sélectionner deux fois STOP (arrêt) pour annuler le programme. Débrancher la laveuse ou déconnecter la source de courant électrique.

#### Vérifier ce qui suit :

Les robinets d'eau sont-ils complètement ouverts?

Les tamis au point de raccordement des tuyaux d'arrivée d'eau à la laveuse sont-ils obstrués? Les tuyaux d'arrivée d'eau sont-ils déformés?

Les tuyaux d'arrivée d'eau sont-ils gelés?

## ⚠ AVERTISSEMENT



### Risque de choc électrique

Brancher sur une prise à 3 alvéoles reliée à la terre.

Ne pas enlever la broche de liaison à la terre.

Ne pas utiliser un adaptateur.

Ne pas utiliser un câble de rallonge.

Le non-respect de ces instructions peut causer un décès, un incendie ou un choc électrique.

Brancher la laveuse ou reconnecter la source de courant électrique. Sélectionner à nouveau un programme et appuyer sur START (mise en marche). Si le problème persiste, faire un appel de service.

- **“F21” affiché (problème de vidange)**  
Sélectionner deux fois STOP (arrêt) pour annuler le programme. Débrancher la laveuse ou déconnecter la source de courant électrique.

#### Vérifier ce qui suit :

Le tuyau de vidange est-il déformé?

Le tuyau de vidange est-il gelé?

Le tuyau de vidange est-il obstrué?

Le tuyau de vidange est-il à plus de 96" (2,4 m) au-dessus du plancher?

- **“SD” (mousse savonneuse)**  
Lorsque de la mousse savonneuse excessive est détectée, cette fonction se met en marche automatiquement. Cette action enlève l'excès de mousse et assure le rinçage approprié de votre linge. “SD” est affiché durant le rinçage et à la fin du programme pour vous informer que l'action corrective pour la mousse a été activée. Utiliser seulement des détergents HE (haute efficacité).

- **Variables “F” [F01 - F34] (problème électrique)**  
Sélectionner deux fois STOP (arrêt) pour annuler le programme. Sélectionner RINSE/DRAIN & SPIN (rinçage/vidange et essorage) puis sélectionner 2ND RINSE (pour désactiver l'option de rinçage) en cas d'excès d'eau dans la laveuse.

Sélectionner à nouveau un programme et appuyer sur START (mise en marche). Si le problème persiste, faire un appel de service.

### Bruit, vibrations, déséquilibre

- **La laveuse est-elle d'aplomb?**  
La laveuse doit être d'aplomb. Les quatre pieds doivent être installés correctement et les écrous doivent être serrés contre la caisse de la laveuse.

Les quatre pieds de la laveuse doivent être bien en contact avec le plancher. Si la laveuse est sur un piédestal, elle doit être fixée au piédestal et les quatre pieds du piédestal doivent être bien en contact avec le plancher.

- **La laveuse fait-elle un bruit différent?**  
Comme avec tout nouveau produit, vous entendrez des sons auxquels vous n'êtes pas habitués. Vous pouvez entendre différents sons lors du verrouillage/déverrouillage de la porte et durant le processus de lavage, rinçage ou essorage. Entre les changements dans les actions de lavage, la laveuse fera des pauses momentanées. Vous entendrez le bruit de la pulvérisation et de l'éclaboussement de l'eau pendant les programmes de lavage et de rinçage. Ces nouveaux sons et pauses font partie du fonctionnement normal de la laveuse.

- **La laveuse est-elle installée sur un plancher robuste et solide?**  
Se référer aux “Instructions d'installation” pour les exigences relatives au plancher. Le bruit et les vibrations peuvent être réduits en plaçant une planche de contreplaqué de ¾" (19,1 mm) sous la laveuse. Le contreplaqué peut se prolonger en-dessous de la laveuse et de la sècheuse pour les maintenir à des hauteurs égales.

- **La laveuse fait-elle un bruit de gargouillement ou de bourdonnement?**  
Lorsque l'eau est vidangée de la laveuse, on peut entendre le bruit de la succion de l'air par la pompe. Ceci se produit à la fin de la vidange. Ceci est normal.

- **Lavez-vous des articles avec agrafes en métal, boucles ou fermetures à glissière?**  
Vous pouvez entendre le bruit des articles métalliques touchant le tambour de la laveuse. Ceci est normal.

- **Les 4 vis de calage à l'arrière de la machine ont-elles été retirées?**  
Voir “Élimination des accessoires de transport”.

## Fuites d'eau de la laveuse

- **La porte a-t-elle été ouverte pendant "Add a garment" (ajouter un vêtement)?**  
De l'eau peut suinter de l'intérieur de la porte si celle-ci a été ouverte après le début d'un programme.
- **Un détergent HE est-il utilisé?**  
Les détergents non identifiés Haute efficacité peuvent causer un excès de mousse qui peut créer des fuites à l'arrière de la laveuse.
- **Les tuyaux de remplissage sont-ils serrés?**
- **Les joints de tuyaux de remplissage d'eau sont-ils correctement installés?**  
Vérifier les deux extrémités de chaque tuyau. Voir "Raccordement des tuyaux d'alimentation".
- **Le tuyau de vidange est-il correctement installé?**  
Le tuyau de vidange doit être bien fixé au conduit d'évacuation ou à l'évier de buanderie. Voir "Immobilisation du tuyau de vidange".
- **L'évier ou le conduit d'évacuation est-il obstrué?**  
L'évier et le conduit d'évacuation doivent pouvoir drainer 17 gal. (64 L) d'eau par minute. Si le débit d'eau est obstrué ou ralenti, l'eau peut refouler du conduit d'évacuation ou de l'évier. Vérifier la plomberie du domicile (éviers de buanderie, robinets, conduit d'évacuation, conduites d'eau) pour voir s'il y a des fuites.

## Fonctionnement des distributeurs

- **Avez-vous suivi les directives du fabricant pour l'addition de détergent et d'assouplissant dans les distributeurs?**  
Mesurer la quantité de détergent et d'assouplissant de tissu. Verser lentement dans les distributeurs. Essuyer tout renversement. Diluer l'assouplissant dans le distributeur d'assouplissant.
- **Avez-vous placé un agent de blanchiment en poudre ou liquide sans danger pour les couleurs dans le distributeur d'agent de blanchiment au chlore liquide (sur certains modèles)?**  
Verser l'agent de blanchiment en poudre ou liquide sans danger pour les couleurs dans le compartiment du détergent principal. Ne pas utiliser le distributeur d'agent de blanchiment au chlore liquide pour l'agent de blanchiment sans danger pour les couleurs.
- **Le distributeur d'assouplissant de tissu est-il obstrué?**  
Nettoyer le distributeur d'assouplissant de tissu. Voir "Entretien de la laveuse" pour les détails.
- **Les produits de lessive sont-ils dans le bon compartiment du distributeur?**  
Verser les quantités appropriées de détergent, d'assouplissant de tissu ou d'agent de blanchiment au chlore liquide dans le compartiment approprié. Verser l'agent de blanchiment en poudre ou liquide sans danger pour les couleurs dans le compartiment du détergent principal.
- **Y a-t-il de l'eau dans le distributeur à la fin du programme?**  
Une petite quantité d'eau restera dans le compartiment du distributeur. Ceci est normal.

## Mauvaises odeurs de la laveuse

- **Voir "Nettoyage de la laveuse".**
- **Utilisez-vous un détergent HE?**  
L'utilisation d'un détergent non HE peut provoquer un film résiduel à l'origine d'odeurs.
- **Avez-vous laissé la porte ouverte après utilisation?**  
Cette laveuse dispose d'une fermeture étanche pour éviter les fuites d'eau. Pour éviter la formation d'odeurs, laisser la porte ouverte afin de permettre à la laveuse de sécher entre les utilisations.

## La porte ne se déverrouille pas

- **Toute l'eau s'est-elle écoulée de la laveuse durant l'essorage?**  
Sélectionner RINSE/DRAIN & SPIN (rinçage/vidange et essorage) puis sélectionner 2ND RINSE (pour désactiver l'option de rinçage) en cas d'excès d'eau dans la laveuse. La porte de la laveuse se déverrouillera à la fin de la vidange.
- **La porte est-elle verrouillée et le témoin "Add a garment" (ajouter un vêtement) est-il allumé?**  
Appuyer une fois sur STOP (arrêt). La porte se déverrouillera.

## Fonctionnement de la laveuse

**La laveuse ne fonctionne pas, ne se remplit pas, ne rince pas, ne culbute pas; la laveuse s'arrête**

### ⚠ AVERTISSEMENT



#### Risque de choc électrique

**Brancher sur une prise à 3 alvéoles reliée à la terre.**

**Ne pas enlever la broche de liaison à la terre.**

**Ne pas utiliser un adaptateur.**

**Ne pas utiliser un câble de rallonge.**

**Le non-respect de ces instructions peut causer un décès, un incendie ou un choc électrique.**

- **Le cordon d'alimentation est-il branché dans une prise à 3 alvéoles reliée à la terre?**  
Brancher le cordon d'alimentation dans une prise à 3 alvéoles reliée à la terre.
- **Utilisez-vous un câble de rallonge?**  
Ne pas utiliser un câble de rallonge.
- **Un fusible est-il grillé ou le disjoncteur s'est-il déclenché?**  
Remplacer le fusible ou réenclencher le disjoncteur. Si le problème persiste, appeler un électricien.
- **Les deux robinets d'eau (chaude et froide) sont-ils ouverts?**  
Ouvrir l'arrivée d'eau.
- **Le tuyau d'arrivée d'eau est-il déformé?**  
Redresser les tuyaux.

- **Les tamis de la valve d'arrivée d'eau sont-ils obstrués?**  
Couper l'arrivée d'eau et retirer les tuyaux d'arrivée d'eau de la laveuse. Ôter toute pellicule ou particules accumulées. Réinstaller les tuyaux, ouvrir l'arrivée d'eau et vérifier s'il y a des fuites.
- **La laveuse est-elle en pause normale du programme?**  
La laveuse fait une pause d'environ 2 minutes dans certains programmes. Laisser le programme se poursuivre. Certains programmes comprennent des périodes de culbutage et de trempage.
- **La laveuse est-elle surchargée?**  
Laver des charges plus petites.
- **La porte de la laveuse est-elle bien fermée?**  
La porte doit être fermée lorsque la laveuse est en marche.
- **Les vis de calage ont-elles été retirées?**  
Les quatre vis de calage doivent être retirées pour un fonctionnement correct de la laveuse.
- **Un programme a-t-il été sélectionné sans que START ait été sélectionné pendant 1 seconde?**  
Appuyer sur START (mise en marche) pendant 1 seconde.
- **La porte a-t-elle été ouverte après l'achèvement du dernier programme?**  
La porte doit être ouverte et fermée à nouveau pour mettre en marche un nouveau programme.

---

#### La laveuse continue de se remplir ou la vidange se poursuit, le programme semble bloqué

---

- **Le haut du tuyau de vidange est-il plus bas que 30" (76 cm) sur la laveuse?**  
Le dessus du tuyau de vidange doit être au moins à 30" (76 cm) au-dessus du plancher. Voir "Système de vidange".
- **Le tuyau de vidange est-il trop serré dans le conduit d'évacuation, ou est-il fixé au conduit d'évacuation avec du ruban adhésif?**  
Le tuyau de vidange doit être lâche mais bien fixé. Ne pas sceller le tuyau de vidange avec du ruban adhésif. Le tuyau a besoin d'une ouverture pour l'air. Voir "Immobilisation du tuyau de vidange".

---

#### La laveuse n'effectue pas de vidange ni d'essorage, l'eau reste dans la laveuse

---

- **Le tuyau de vidange est-il obstrué ou l'extrémité du tuyau de vidange se trouve-t-elle à plus de 96" (2,4 m) au-dessus du plancher?**
- **La tension est-elle basse?**  
Vérifier la source de courant électrique ou appeler un électricien.
- **Excès de mousse?**  
Lorsqu'un excès de mousse est détecté, une procédure spéciale contre la mousse se met en marche automatiquement. Le programme se terminera une fois que l'excès de mousse sera éliminé. Ceci survient plus fréquemment lorsqu'un détergent non-HE est utilisé.

- **La charge est-elle équilibrée?**  
Le lavage d'un seul article ou d'un article encombrant peut provoquer un déséquilibre. Ajouter des articles ou redistribuer la charge.

---

#### Pas assez d'eau/pas assez de mousse

---

- **Faible niveau d'eau?**  
Cette laveuse utilise un faible niveau d'eau afin de fournir des résultats de nettoyage satisfaisants. Vous verrez peu ou pas d'éclaboussures d'eau avec cette laveuse. Ceci est normal.
- **Utilisez-vous un détergent HE?**  
Le détergent HE est un détergent qui provoque peu de mousse. Ceci est normal et n'affecte pas la performance de nettoyage.

---

#### Température de lavage/rinçage

---

- **Les robinets d'arrivée d'eau chaude et froide ont-ils été inversés?**  
Voir "Raccordement des tuyaux d'alimentation".
- **Lavez-vous un nombre important de charges?**  
Lorsque la fréquence de charges lavées augmente, la température de l'eau peut baisser lorsqu'on choisit une température chaude ou tiède. Ceci est normal.

---

#### Changements dans la durée du programme/programme trop long

---

- **Durée de programme estimée?**  
Les durées de programme varient automatiquement en fonction de la pression et de la température de l'eau, du détergent et de la charge de linge. La durée du programme sera prolongée en cas d'excès de mousse ou si la charge est déséquilibrée. La procédure contre la mousse élimine l'excès de mousse et permet un rinçage correct de vos vêtements. Les options sélectionnées affectent aussi les durées de programme qui sont mentionnées dans le tableau des pré-réglages de programme.
- **Excès de mousse?**  
Lorsqu'un excès de mousse est détecté, une procédure spéciale contre la mousse se met en marche automatiquement. Cette procédure prolongera la durée initiale du programme.
- **La charge a-t-elle causé un déséquilibre?**  
Lorsqu'il y a un trop grand déséquilibre, une procédure de rééquilibrage se met en marche pour redistribuer la charge. L'affichage de la durée se mettra en pause jusqu'à ce que cette activité soit terminée, puis se réactivera pour le reste du programme.
- **Lavez-vous un article seul ou une charge encombrante?**  
La durée d'essorage est ajoutée si une charge déséquilibrée est détectée. La laveuse tentera de redistribuer la charge avec un culbutage supplémentaire.
- **Avez-vous lavé une grande charge avec le programme Express Wash (lavage rapide)?**  
Le programme Express Wash (lavage rapide) est conçu pour les plus petites charges (2-3 articles) de vêtements légèrement sales. Si des charges plus grandes sont lavées avec ce programme, la durée de lavage augmentera.
- **Avez-vous lavé une grande charge en utilisant un programme doux ou le programme articles délicats?**  
Avec les programmes de lavage Express Wash (lavage rapide) ou Silk/Delicate (soie/articles délicats), vous devez laver des petites charges. Ceci assure un lavage délicat de vos vêtements sans augmenter les durées de programme.

## Entretien des vêtements

### Charge trop mouillée

- **Avez-vous utilisé le bon programme pour la charge à laver?**  
Choisir un programme avec une vitesse d'essorage plus élevée.
- **Avez-vous lavé un article seul, des articles encombrants ou avez-vous surchargé la laveuse?**  
Le lavage d'un seul article ou d'un article encombrant, ou une charge excessive peuvent provoquer un déséquilibre. Ajouter des articles ou essayer de distribuer uniformément votre lessive mouillée dans le tambour. Sélectionner RINSE/DRAIN & SPIN (rinçage/vidange et essorage) puis sélectionner 2ND RINSE (pour désactiver l'option de rinçage) pour vidanger la laveuse. Si la lessive est encore mouillée, retirer la moitié de la charge de la laveuse et essayer de nouveau.
- **Avez-vous utilisé un détergent HE?**  
La présence de mousse durant les programmes de rinçage et d'essorage peut réduire la vitesse d'essorage. Utiliser un détergent HE.

### Résidus, charpie, taches sur la charge; blancs grisâtres, couleurs défraîchies

- **Avez-vous ajouté du détergent au distributeur?**  
Pour des résultats optimaux, ajouter du détergent au compartiment de détergent. Ne pas verser le détergent dans le tambour de la laveuse.
- **Avez-vous effectué le tri correctement?**  
Trier les articles causant la charpie (serviettes, chenille) des articles qui retiennent la charpie (velours côtelé, synthétiques). Le transfert de teinture peut se produire lors du mélange d'articles blancs et de couleur dans une même charge. Séparer les articles de teinte foncée des articles blancs ou clairs.
- **Avez-vous surchargé la laveuse?**  
Ne pas surcharger la laveuse. La laveuse peut être bien remplie mais le linge ne doit pas être tassé. La charge de lavage doit être équilibrée. De la charpie peut être coincée dans la charge s'il y a surcharge.
- **Vérifier ce qui suit :**  
Avez-vous laissé du papier ou des mouchoirs en papier dans les poches?
- **Avez-vous utilisé suffisamment de détergent HE?**  
Suivre les recommandations du fabricant pour le type de charge à laver. Pour des résultats optimaux, utiliser uniquement un détergent Haute efficacité. Utiliser suffisamment de détergent pour enlever la saleté et la maintenir en suspension.
- **Avez-vous une eau dure?**  
Utiliser plus de détergent pour laver la saleté intense à l'eau froide ou dure.
- **La température de l'eau est-elle inférieure à 60°F (15,6°C)?**  
Une eau de lavage plus froide que 60°F (15,6°C) peut ne pas dissoudre complètement le détergent. Utiliser les lavages à l'eau chaude ou tiède si celles-ci sont sans danger pour les tissus de la charge. S'assurer que le système d'eau chaude est adéquat pour fournir un lavage à l'eau chaude.

- **Utilisez-vous un programme de lavage à basse vitesse?**  
Les détergents en poudre peuvent ne pas se dissoudre correctement durant un programme à basse vitesse. Pour des résultats optimaux, utiliser un détergent liquide pour les programmes à basse vitesse tels que Delicates (articles délicats).
- **Avez-vous déchargé la laveuse immédiatement?**  
Pour éviter le transfert de teinture, décharger la laveuse dès qu'elle s'arrête.
- **Avez-vous utilisé une boule distributrice d'assouplissant de tissu?**  
Les boules distributrices ne fonctionnent pas correctement avec cette laveuse. Verser un assouplissant de tissu liquide dans le compartiment d'assouplissant de tissu.
- **Avez-vous utilisé un détergent en poudre pour un programme à vitesse faible?**  
Envisager l'utilisation d'un détergent liquide.
- **Avez-vous utilisé le programme Express Wash (lavage rapide) pour une grande charge?**  
Pour des résultats optimaux, utiliser le programme Express Wash (lavage rapide) pour les petites charges de linge légèrement sale.

### La charge est froissée, entortillée, enchevêtrée

- **Avez-vous déchargé la laveuse immédiatement?**  
Décharger la laveuse dès qu'elle s'arrête.
- **Avez-vous utilisé le bon programme pour la charge à laver?**  
Utiliser le programme Delicates (articles délicats) ou un autre programme avec basse vitesse d'essorage pour réduire le froissement.
- **Avez-vous surchargé la laveuse?**  
La charge de lavage doit être équilibrée et pas surchargée. Les charges doivent pouvoir se déplacer librement durant le lavage.
- **L'eau de lavage était-elle suffisamment chaude pour réduire le froissement?**  
Si c'est sans danger pour la charge, utiliser une eau de lavage tiède ou chaude.
- **Les robinets d'eau chaude et froide ont-ils été inversés?**  
Vérifier que les tuyaux d'eau chaude et d'eau froide sont connectés aux bons robinets. Un rinçage à l'eau chaude suivi d'un essorage provoquera un froissement. Voir "Raccordement des tuyaux d'alimentation".

# Get it fixed, at your home or ours!

## Your Home

For repair – **in your home** – of **all** major brand appliances, lawn and garden equipment, or heating and cooling systems, **no matter who made it, no matter who sold it!**

For the replacement parts, accessories and owner's manuals that you need to do-it-yourself.

For Sears professional installation of home appliances and items like garage door openers and water heaters.

**1-800-4-MY-HOME® (1-800-469-4663)**

Call anytime, day or night (U.S.A. and Canada)

[www.sears.com](http://www.sears.com)      [www.sears.ca](http://www.sears.ca)

*For expert home solutions advice: [www.managemyhome.com](http://www.managemyhome.com)*

---

## Our Home

For repair of carry-in items like vacuums, lawn equipment, and electronics, call or go on-line for the location of your nearest

### Sears Parts & Repair Service Center

**1-800-488-1222 (U.S.A.)      1-800-469-4663 (Canada)**

Call anytime, day or night

[www.sears.com](http://www.sears.com)      [www.sears.ca](http://www.sears.ca)

---

To purchase a protection agreement on a product serviced by Sears:

**1-800-827-6655 (U.S.A.)**

**1-800-361-6665 (Canada)**

---

Para pedir servicio de reparación a domicilio, y para ordenar piezas:

**1-888-SU-HOGAR®**

(1-888-784-6427)

Au Canada pour service en français:

**1-800-LE-FOYER<sup>MC</sup>**

(1-800-533-6937)

[www.sears.ca](http://www.sears.ca)

