

ELBA

BY FISHER & PAYKEL

Slideout rangehood
HS60CSEX3 model

**Installation instructions
and User guide**

NZ AU

Contents

Safety and warnings	1
Installation instructions	2
Getting started quickly	5
Cleaning and maintenance	6
Manufacturer's Warranty	8
Customer Care	9

Important!

SAVE THESE INSTRUCTIONS

The models shown in this user guide may not be available in all markets and are subject to change at any time. For current details about model and specification availability in your country, please visit our local website listed on the back cover or contact your local ELBA by Fisher & Paykel dealer.

Important!

- Please read the entire set of instructions before installing the rangehood.
- This appliance can be used by children aged from 8 years and above and persons with reduced physical, sensory or mental capabilities or lack of experience and knowledge if they have been given supervision or instruction concerning use of the appliance in a safe way and understand the hazards involved.
- Children shall not play with the appliance. Cleaning and user maintenance shall not be made by children without supervision.
- The installation of Fisher & Paykel rangehoods must comply with the information in this guide. Failure to install the rangehood in accordance with these installation instructions may result in electrical hazards, injury, and damage to your appliance and loss of warranty. Failure by the installer to install the screws or fixing devices in accordance with these installation instructions may result in electrical hazards. Please install the appliance as detailed in these instructions.
- There must be adequate ventilation of the room when the rangehood is used at the same time as appliances burning gas or other fuels. (A partial vacuum in the room could result in too high a concentration of gas in the air).
- You must read the details concerning the method and frequency of cleaning.
- There is a fire risk if cleaning is not carried out in accordance with the instructions.
- Do not flambé under the rangehood.
- Exhaust air must not be discharged into an existing flue that is used for exhausting fumes from appliances burning gas or other fuels.
- The minimum distance between the cooktop surface and the filters of the rangehood shall be 600 mm, or 650 mm if installed over a gas cooktop.
- Attention should be given to ensure that any applicable regulations concerning the discharge of exhaust air is fulfilled.
- If the supply cord of this equipment is damaged it must only be replaced by the manufacturer, its service agent or similarly qualified person in order to avoid a hazard.
- Always switch the power off prior to installation, servicing or cleaning the rangehood.
- Never use the rangehood without the filters in place.
- Stainless steel or powdercoat is very easily damaged during installation if abraded or knocked by tools. It is recommended to protect the top of the rangehood with cardboard or plastic bag during the installation to minimise the risk of damage occurring.
- A power outlet should be within 750 mm of the motor assembly and can be either on the wall, behind the chimney or in the ceiling.
- To comply with electrical safety regulations, this rangehood must be plugged into a socket near the appliance. The socket must be accessible, or have an accessible isolating switch, to enable the end user to isolate the rangehood from the power for the purpose of internal cleaning or maintenance.
- Ducting accessories are not supplied. All ducting must comply with local requirements and building codes.

⚠ WARNING!



Electrical Shock Hazard

All electrical work must be done in accordance with local and/or national electrical codes as applicable. For safety, this product must be earthed. If you are unfamiliar with methods of installing electrical wiring, employ the services of a qualified electrician. Turn off power at service entrance before installing wiring or servicing this product.

⚠ WARNING!



Weight Hazard

The rangehood is heavy. Please ensure adequate care is taken when installing the rangehood to prevent personal injury. The rangehood must be installed onto a solid wall, stud, beam or truss. Weight of the product is 8.9 kg.

2 Installation instructions

Thank you for purchasing a quality Fisher & Paykel rangehood. Each rangehood is tested and approved before it leaves the factory, ensuring our high standard of quality control is met.

Contents of packaging

- 1 x rangehood
- 1 x installation instructions
- 1 x Installation kit - "TOP FIXING"
- 4 x Screw M6 x 40 mm (incl. washer)
- 6 x Screw 3 x 12 mm
- 2 x Spacer Rear
- 2 x Spacer Lateral
- 1 x Vent Duct (Dia. 120 mm) – top extraction
- 1 x Vent Duct (Dia. 100 mm) – rear extraction
- 2 x covers for extraction hole (Dia. 120 mm, Dia. 100 mm)

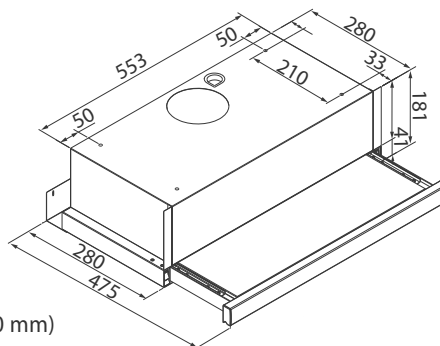


Fig.1 Slideout rangehood

Typical equipment required:

- Electric drill
- Screwdriver
- Duct tape (if ducting)
- Jig saw (if ducting)
- Ladder (if ducting)
- Ducting
- Tape measure
- Drill bits
- Spirit level

Accessories

Accessory	Part Number
Replacement aluminium filter	792391
Charcoal filter	792390
Light bulb	792393

Warning!

Failure to install the screws or fixing device in accordance with these instructions may result in electrical hazards.

Height of rangehood

Please read the entire instructions BEFORE installing the rangehood.

- Ascertain the desired installation height of the rangehood.
- When installing the rangehood, the lower edge of the unit must be a minimum of 600 mm (650 mm for gas cooker) above the cooking surface.
- The recommended position for the hood is 650 mm above the cooktop.
- Any installation above 750 mm will compromise the extraction performance.

A = 600 min (electric cook top)

A = 650 min (gas cook top)

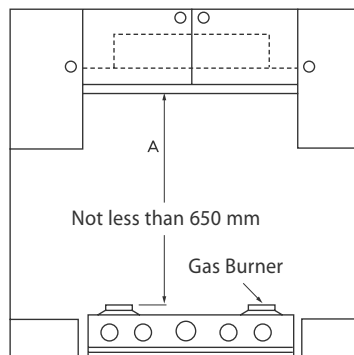
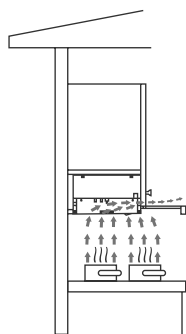


Fig.2 Positioning

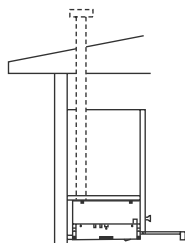
Ducting options

Some authorities require rangehoods to be vented outside. Attention should be given to ensure that any applicable regulations concerning the discharge of exhaust air is fulfilled.

Front Ducting / Recirculating *
(Optional)



Ducting
through roof



Ducting through
cavity to side

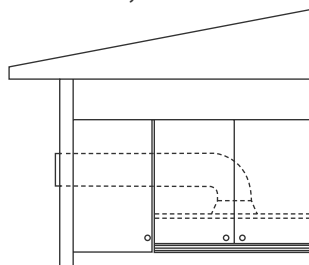


Fig.3 Ducting options

* In recirculating mode you must use charcoal filters to eliminate cooking smells. (Part No.792390)

120 mm (top extraction) or 100 mm (rear extraction) diameter round ducting can be used in conjunction with this model.

For optimal efficiency, use smooth-walled ducting for reduced noise and increased airflow. Flexible ducting should only be used as a last resort.

Note: we recommend an Easy Fit by Fisher & Paykel or a UNIDUCT ducting system, products that have been designed to expel air efficiently.

Preparing the rangehood for installation

Ensure the overhead cabinets are built according to Fig.7 (below).

Before drilling any holes, check that the area behind the surface to be drilled is clear of any electrical cables or pipes etc.

Ducted installation

If the rangehood is to be installed as a ducted hood:

- 1 Remove the appropriate knockout to suit top venting, as shown in Fig.4
- 2 Do not remove Cover Tape "A". See Fig.4. This is removed for recirculating only.

Mounting the rangehood

Warning!

Failure to install the screws or fixing device in accordance with these instructions may result in electrical hazards.

The rangehood can be mounted from the top. Before commencement, unpack the rangehood and check that it functions correctly.

Mounting to underside of cupboard

Fix the rangehood to a shelf mounted at the right height in your wall units, by drilling 4 holes, 6 mm in diameter, (see Fig.6) and fixing with the 4 screws supplied (found in the bag labelled "TOP FIXING"). When installing the rangehood the space between the product and the wall shall be covered with the adjustable lateral and rear spacer supplied (Fig.5 and Fig. 6).

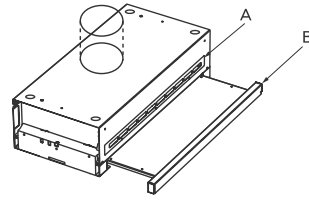


Fig.4 Preparing for install

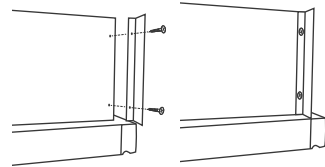
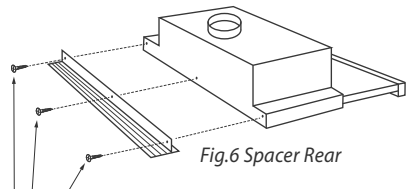


Fig.5 Spacer Lateral



Screw shall be fixed into lower face of the hood

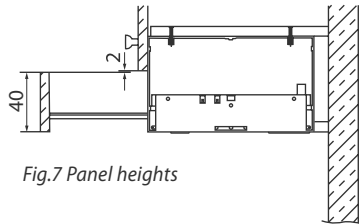


Fig.7 Panel heights

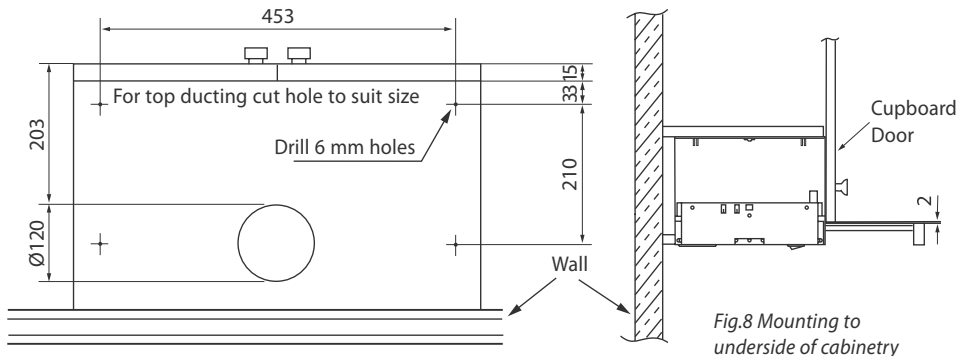
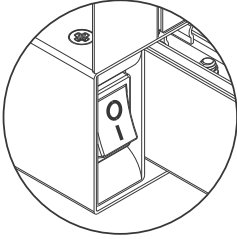


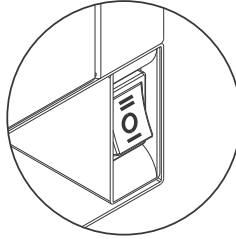
Fig.8 Mounting to underside of cabinetry

Control panel features



Light switch: the light can be operated independently from the fan.

Fig.9 Light switch



Fan switch: the fan can be run at different speeds depending on the cooking requirements.

Fig.10 Fan switch

Operating instructions

- 1 Pull out the grill (A) more than 50 mm.
- 2 Switch on the lamps (Fig.9).
- 3 Air intake speed (Fig.10).
- 4 The front panel has to be pulled to its maximum extension so as to optimise the extraction capacity.
- 5 The three setting switches (Fig.10) have the following functions:
 - Stops
 - I Low speed
 - II High speed

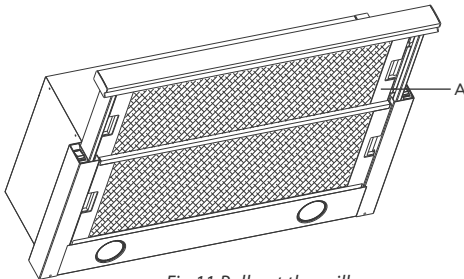


Fig.11 Pull out the grill

6 Cleaning and maintenance

Caution!

Never use abrasive or oil based liquid cleaners.

General maintenance

The manufacturer is not liable for any damage caused by not following these instructions.

The rangehood should be cleaned regularly using warm water with soap or mild liquid detergents. This ensures that no build-up of grease occurs as these deposits are corrosive. Do not use abrasives or harsh detergents/cleaning fluids.

Note: in areas of high humidity and coastal environments cleaning should be carried out frequently.

Aluminium filter

The grease filter must be periodically cleaned (at least every two months).

Remove the grease filter and wash either by hand using hot soapy water or place in the dishwasher using mild detergent. A badly smoked filter may be cleaned with "cookware cleaners".

Note: some discolouration of the frame may occur.

When installing or replacing a filter, remove the protective plastic covering from the filter.

Charcoal filter (optional)

Charcoal filters are designed to remove grease and odours from cooking vapours, prior to the cleansed air re-entering the kitchen (when the rangehood is in recirculating mode). Charcoal filters are disposable items and it is recommended that these should be replaced every two months depending on use.

Note:

- Fully saturated charcoal filters can become a barrier to air movement, impeding the rangehood's performance.
- In the event of fire, fully grease laden filters could be flammable and therefore regular replacement is recommended.
- In ducted installations, conventional aluminium filters are recommended.

Replacement

To replace charcoal filters (C), proceed as follows:

- 1 Remove Aluminium filter (A).
- 2 To remove charcoal filter undo and remove the screw (B).
- 3 To install follow above steps in reversed order.

For replacement charcoal filters, ducting accessories, spare parts and service, please contact your local supplier or Fisher & Paykel Customer Care Centre.

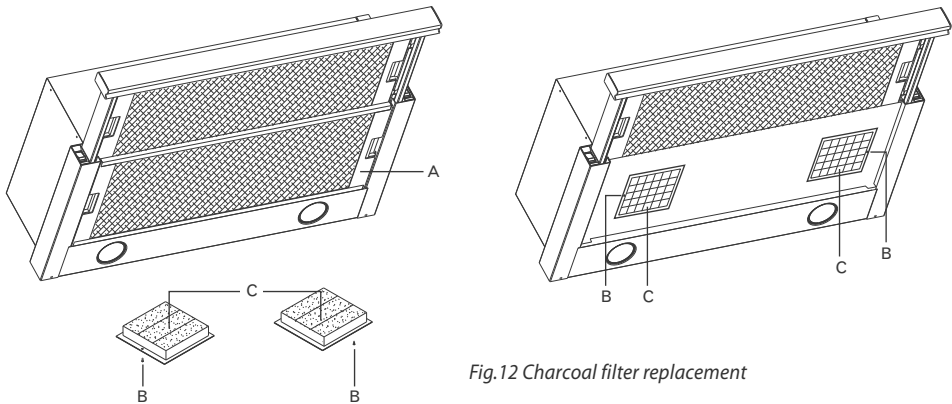


Fig.12 Charcoal filter replacement

Light bulb replacement

(230 Volt / 50 Watt light bulb)

- 1 To replace a light bulb, first disconnect rangehood from power supply.
- 2 Apply finger pressure to the face of the light bulb and twist one quarter turn anti-clockwise, the light bulb will now be free to drop out.
- 3 Remove the faulty bulb and fit replacement bulb into the lamp holder.
- 4 Refit the light bulb, applying finger pressure and twist one quarter turn clockwise.

Note: replacement bulbs are not covered by warranty.

8 Manufacturer's Warranty

You automatically receive a 2 year Manufacturer's Warranty with the purchase of this Product covering parts and labour for servicing within the country of purchase.

Fisher & Paykel undertakes to:

Repair or, at its option, replace without cost to the owner either for material or labour any part of the Product, the serial number of which appears on the Product, which is found to be defective within TWO YEARS of the date of purchase.

Note: this Warranty is an extra benefit and does not affect your legal rights.

This Warranty DOES NOT cover

- A** Service calls which are not related to any defect in the Product. The cost of a service call will be charged if the problem is not found to be a Product fault. For example:
 1. Correcting the installation of the Product.
 2. Instructing you how to use the Product.
 3. Replacing house fuses or correcting house wiring or plumbing.
 4. Correcting fault(s) caused by the user.
 5. Noise or vibration that is considered normal, eg drain/fan sounds, refrigeration noises or user warning beeps.
 6. Correcting damage caused by pests, eg rats, cockroaches, etc.
 7. Replacement light bulbs.
- B** Defects caused by factors other than:
 1. Normal domestic use or
 2. Use in accordance with the Product's User Guide.
- C** Defects to the Product caused by accident, neglect, misuse or Act of God.
- D** The cost of repairs carried out by non-authorised repairers or the cost of correcting such unauthorised repairs.
- E** Normal recommended maintenance as set out in the Product's User Guide.
- F** Repairs when the appliance has been dismantled, repaired or serviced by other than a Fisher & Paykel Authorised Repairer or the selling dealer.
- G** Pick-up and delivery.
- H** Transportation or travelling costs involved in the repair when the Product is installed outside the Fisher & Paykel Authorised Repairer's normal service area.

This Product has been designed for use in a normal domestic (residential) environment. This Product is not designed for commercial use (whatsoever). Any commercial use by a Customer will affect this Product's Warranty.

Service under this Manufacturer's Warranty must be provided by a Fisher & Paykel Authorised Repairer (refer to the 'Customer Care' section at the back of this book). Such service shall be provided during normal business hours. This Warranty certificate should be shown when making any claim.

For Australian Customers

This Warranty is an extra benefit and does not affect your legal rights. Our goods come with guarantees that cannot be excluded under the Australian Consumer Law. You are entitled to a replacement or refund for a major failure and for compensation for any other reasonably foreseeable loss or damage. You are also entitled to have the goods repaired or replaced if the goods fail to be of acceptable quality and the failure does not amount to a major failure.

Please keep this User Guide in a safe place.

Before you call for service or assistance...

Check the things you can do yourself.
Refer to your User Guide and check:

- 1 Your appliance is correctly installed
- 2 You are familiar with its normal operation

If after checking these points you still need assistance, please refer to your nearest Fisher & Paykel Authorised Repairer, or contact us through our local website listed on the back cover.

**In New Zealand if you need assistance...***

Call your Fisher & Paykel retailer who is trained to provide information on your appliance, or if we can be of any further help, please contact our Customer Care Centre,

Toll Free: 0800 FP CARE or 0800 37 2273 **Fax:** (09) 273 0656

Email: customer.care@fp.co.nz

Postal address: PO Box 58732, Botany, Manukau 2163

If you need service...*

Fisher & Paykel has a network of independent Fisher & Paykel Authorised Repairers whose fully trained technicians can carry out any service necessary on your appliance. Your dealer or our Customer Care Centre can recommend a Fisher & Paykel Authorised Repairer in your area.

In Australia if you need assistance...*

Call the Fisher & Paykel Customer Care Centre and talk to one of our Customer Care Consultants.

Toll Free: 1 300 650 590

Fax: (07) 3826 9298

Email: customer.care@fp.com.au

Postal Address: PO Box 798, Cleveland QLD 4163

If you need service...*

Fisher & Paykel has a network of qualified Fisher & Paykel Authorised Repairers responsible for servicing only Fisher & Paykel branded appliances. Our Customer Care Centre can recommend a qualified Fisher & Paykel Authorised Repairer in your area.

*If you call, write or contact our website please provide: your name and address, model number, serial number, date of purchase and a complete description of the problem. This information is needed in order to better respond to your request for assistance.

Product details

Fisher & Paykel Appliances, Ltd

Model/Serial No.

Date of Purchase _____ **Purchaser** _____

Dealer _____ **Suburb** _____

Town _____ **Country** _____

www.elba.co.nz
www.elba.com.au

ELBA

BY FISHER & PAYKEL

Copyright © Fisher & Paykel 2012. All rights reserved.

The product specifications in this booklet apply to the specific products and models described at the date of issue. Under our policy of continuous product improvement, these specifications may change at any time. You should therefore check with your Dealer to ensure this booklet correctly describes the product currently available.

NZ AU

F&P PN - 590493 B CATA PN - 60812125

10.2012