

Etank 25 / 40 / 80

Electric Mini-Tank Water Heater

Model: FDES-ET25 / FDES-ET40 / FDES-ET80

Use this manual for installations in the United States of America:
Installation Manual and Operating Instructions

Utiliser ce manuel d'installation aux Etats-Unis :
Manuel de l'Installation et Instructions de l'Opération.

☎ 877-216-1818 (8:30am-5:00pm EST Monday-Friday)
✉ service@fogattiliving.com


TABLE OF CONTENTS

1 Explanation of symbols and safety information	4
1.1 Key to symbols	4
1.2 Safety information	4
2 Information about the product	5
2.1 Models overview	5
2.2 Dimensions	6
2.3 Technical data	6
3 Installation instructions	7
3.1 Mounting the heater	7
3.2 Pipe connections	7
3.3 Closed system thermal expansion	7
4 Use	8
4.1 Starting and testing	8
4.2 Temperature setting	8
5 Maintenance	9
5.1 Removing the cover	9
5.2 Draining the heater	9
5.3 Inspecting the anode rod	9
5.4 Removing the heating element	9
5.5 Descaling the heating element	10
6 Replacement of parts	10
6.1 Changing the anode rod	10
6.2 Changing the heating element	10
6.3 Changing the thermostat	10
7 Troubleshooting	11
7.1 Resetting High Limit Switch	11
8 FOGATTI interior components diagram	12


1. Explanation of symbols and safety information


1.1 Key to symbols


Warnings

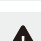
 Warnings in this document are identified by a warning triangle printed against a grey background. Keywords at the start of a warning indicate the type and seriousness of the ensuing risk if measures to prevent the risk are not taken.

The following keywords are defined and can be used in this document:


 **NOTICE**
indicates that damage to property may occur.

 **CAUTION**
indicates that personal injury may occur.

 **WARNING**
indicates that severe personal injury may occur.

 **DANGER**
indicates that severe personal injury or death may occur.


Important information

 This symbol indicates important information where there is no risk to people or property.

Additional symbols


Symbol	Explanation
■	Step in an action sequence
→	Cross-reference to another part of the document
•	List entry


1.2 Safety information


 **CAUTION**
When using electrical appliances, safety precautions to reduce the risk of fire, electric shock or injury to persons should be followed, including:

- READ ALL INSTRUCTIONS BEFORE USING THIS WATER HEATER.
- This water heater must be grounded. Connect only to properly grounded outlet. See "GROUNDING INSTRUCTIONS" found on "INSTALLATION INSTRUCTIONS".
- Install or locate this water heater only in accordance with the provided installation instructions.
- Use this water heater only for its intended use as described in this manual.
- The models FDES-ET25 and FDES-ET40 come equipped with a power cord. Do not use an extension cord. If no outlet is available adjacent to the water heater, contact a qualified electrician to have one properly installed near the heater. The model FDES-ET80 must be hard-wired. See installation instructions.

- As with any appliance, close supervision is necessary when used by children.
- Do not operate this water heater if it has a damaged cord or plug, if it is not working properly, or if it has been damaged or dropped.
- This water heater should be serviced only by qualified service personnel. Contact a service person for examination, repair or adjustment.
- Failure to inspect the anode rod at least once a year could cause the tank to fail and leak. This condition is not covered under the manufacturer's warranty.
- Any water heater should be installed in such a manner that if it should leak, the resulting flow of water will not cause damage to the area in which it is installed. National Plumbing codes require a drain pan for any water heater installation. Failure to install one is the sole responsibility of owner and/or installer. Reference UPC 2006 (Uniform Plumbing Code) Section 508.1, or IPC 2006 (International Plumbing Code) Section 504.7.

 **NOTICE**
The installer should review the contents of this manual with the owner upon completion of installation, and the manual should be left with the owner and placed in a location close to the installation.

 **NOTICE**
The manufacturer cannot be responsible for the damages caused by improper installation or by failure to follow instructions in this manual. Comply with the installation instructions before completing electric connection.

 **NOTICE**
The thermostat has been pre-set at the factory at a temperature equal or below 51.7 °C (125 °F) (→Fig. 1).

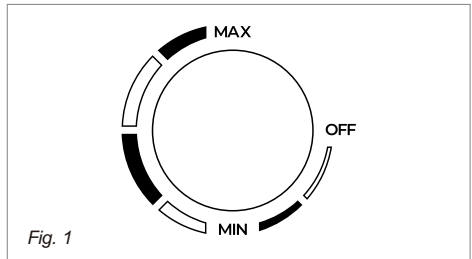


Fig. 1

**DANGER**

Hydrogen gas is produced in a hot water system served by this heater that has not been used for a long period of time (2 weeks or more). Hydrogen gas is extremely flammable. To reduce the risk of injury under these conditions, it is recommended that the hot water faucet be opened for several minutes at the kitchen sink before using any electrical appliance connected to the hot water system. When hydrogen is present, there will probably be an unusual sound such as air escaping through the pipe as the water begins to flow. There should be no smoking or open flame near the faucet at the time it is open.

**CAUTION**

Any water heater should be installed in such a manner that if it should leak, the resulting flow of water will not cause damage to the area in which it is installed. National Plumbing codes require a drain pan for any water heater installation. Failure to install one is the sole responsibility of owner and/or installer. Reference UPC 2006 (Uniform Plumbing Code) Section 508.1, or IPC 2006 (International Plumbing Code) Section 504.7.

**CAUTION**

Prior to connecting the power supply, ensure tank is full of water and system is purged of air.

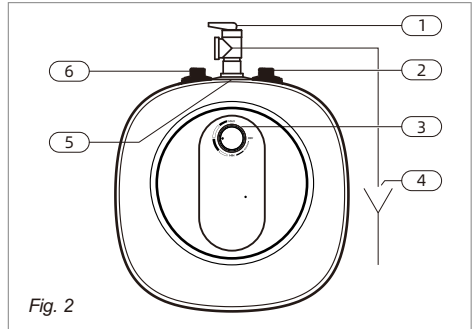
**NOTICE**

Tank failure due to neglecting to maintain the anode rod is not covered under warranty (see Section 5 Maintenance).

2. Information about the product

2.1 Models overview

Models FDES-ET25, FDES-ET40 and FDES-ET80



1. Temperature & pressure relief valve, $\frac{3}{4}$ NPT male
2. Cold water inlet(BLUE) $\frac{1}{2}$ NPT male (FDES-ET25 and FDES-ET40)
Cold water inlet(BLUE) $\frac{3}{4}$ NPT male (FDES-ET80 should equip with converter)
3. Temperature Adjustment Knob
4. Temperature & pressure relief valve discharge line to drain
5. $\frac{3}{4}$ NPT female tapping for relief valve
6. Hot water outlet(RED) $\frac{1}{2}$ NPT male (FDES-ET25 and FDES-ET40)
Hot water outlet(RED) $\frac{3}{4}$ NPT male (FDES-ET80 should equip with converter)

2.2 Dimensions

Models FDES-ET25, FDES-ET40 and FDES-ET80 (Vertically installation only)

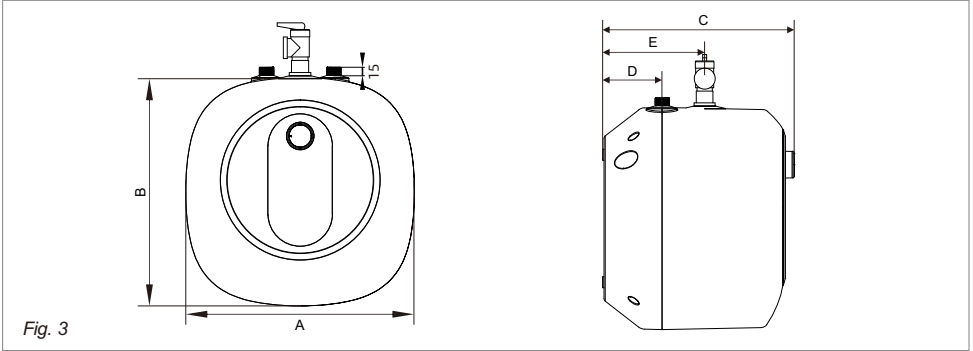


Fig. 3

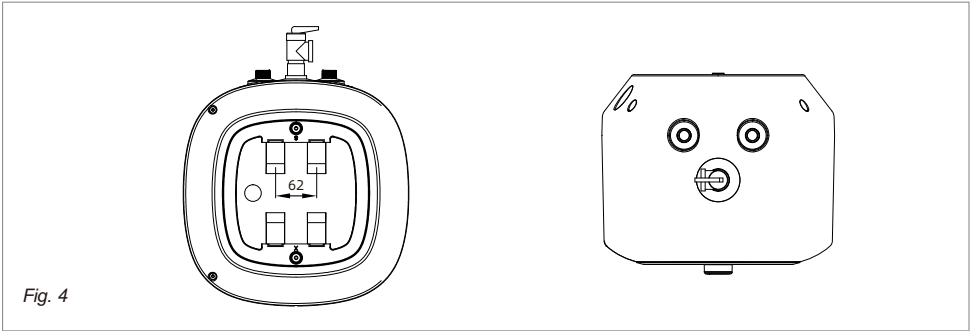


Fig. 4

Models FDES-ET25, FDES-ET40 and FDES-ET80 (Vertically installation only)

Capacity	Dimensions(inch)				
	A	B	C	D	E
2.5gal	13.39	13.39	11.42	3.58	6.14
4.0gal	14.96	14.96	12.80	4.13	6.69
8.0gal	17.32	17.32	15.35	5.20	8.38

2.3 Technical data

Technical data	Etank 25	Etank 40	Etank 80
Model (Units)	FDES-ET25	FDES-ET40	FDES-ET80
Capacity (Gallons)	2.5	4.0	8.0
Voltage (VAC)	120 for each model		
Power at 120 VAC (Watts)	1440		
Maximum water pressure (Psi)	150		
Weight Unpacked (Lbs)	17	20	27
Amperage (Amps)	12.0 for each model		
Phases	1		
Temperature range (°F)	55-145°F		

3. Installation instructions

3.1 Mounting the heater

Wall mounting

- Fasten the supplied mounting bracket to the wall.



NOTICE : Material damages!
Use screws that are suitable for the wall material and the weight of the heater.

- Hang the water heater on the bracket.
- Tug down wards on the heater to ensure that both “fingers” of the bracket are seated in the mounting slots.

Floor mounting

- Heater can sit on floor.

3.2 Pipe connections

- Connect the cold water inlet pipe to the inlet tapping (marked with a blue ring).
- Ensure a isolation valve is installed on the cold water supply to the water heater.
- Connect the hot water outlet pipe to the outlet tapping (marked with a red ring).



CAUTION

To reduce the risk of excessive pressures and temperatures in this water heater:

- Install the supplied temperature and pressure protective equipment required by local codes but not less than a combination temperature and pressure relief valve certified by a nationally recognized testing laboratory that maintains periodic inspection of production of listed equipment or materials, as meeting the requirements for Relief Valves and Automatic Gas Shut-off Devices for Hot Water Supply Systems, ANSIZ21.22.

The supplied temperature and pressure relief valve is marked with a maximum set pressure (150 psi) that does not exceed the marked maximum working pressure of the water heater.

- Install the valve in the opening provided and marked for this purpose in the water heater.
- Orient it or provide tubing so that any discharge from the valve will exit within 6 inches above, or at any distance below, the structural floor, and cannot contact any live electrical part. The discharge opening must not be blocked or reduced in size under any circumstances.

National Plumbing codes may require a drain pan for the water heater installation. Failure to install one is the sole responsibility of owner and/or installer. Reference UPC (Uniform Plumbing Code), or IPC (International Plumbing Code).

3.3 Closed system thermal expansion

Periodic discharge of the temperature and pressure relief valve or failure of the element gasket may be due to thermal expansion in a closed water supply system. The water utility supply meter may contain a checkvalve, backflow preventer or waterpressure reducing valve which will create a closed water system.

During the heating cycle of the water heater, the water expands causing pressure inside the water heater to increase.

The temperature and pressure relief valve may discharge hot water under these conditions which results in a loss of energy and a build-up of lime on the relief valve seat.

The temperature and pressure relief valve may discharge hot water under these conditions which results in a loss of energy and a build-up of lime on the relief valve seat.

To prevent this from happening, there are two recommendations:

- Install a diaphragm-type expansion tank that is suitable for potable water on the cold water supply line. A minimum 0.5 gallon expansion tank should be used.

Contact the local water supplier or plumbing inspector for information on how to control this situation. Do not plug the temperature and pressure relief valve.

4. Use

4.1 Starting and testing



CAUTION

DO NOT supply power to water heater until filled with water.

To fill the heater:

- Open supply valve for water heater to fill with water.
- Open hot water tap(s) supplied by the water heater to purge air out of the system. Once air is purged, close hot water tap.
- Visually check for any leaks.

Turning heater on

For models which are not fitted with a switch:

- Supply power to the water heater by plugging in the power cord (models FDES-ET25, FDES-ET40) or turning on the circuit breaker (model FDES-ET80).

If the light does not come on, turn the control knob in a clockwise direction.

The light will come on until water temperature has reached the thermostat temperature setting. The light will come back on any time the water temperature inside the tank drops below the thermostat setting.

4.2 Temperature setting

To fill the heater:

The temperature of the hot water is adjusted by rotating the knob M (Fig. 5) located on the front cover. Temperature range is 55-145 °F.

- Turn the knob clockwise to increase temperature.
- Turn the knob counter-clockwise to decrease temperature.

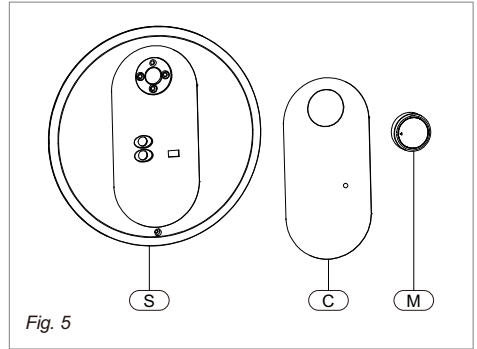


Fig. 5

5. Maintenance



CAUTION

Do not attempt to repair this water heater yourself. Call a service person for assistance. Always turn off the power supply to the heater prior to servicing or draining the heater.



For most of these operations, the water will have to be drained from the heater. For all of these operations the cord should be disconnected (FDES-ET25, FDES-ET40 and FDES-ET80) and the front cover removed.

5.1 Removing the cover

- Remove rubber seal which covers the Phillips screw(Fig. 5 [S]), and unscrew the Phillips screw.
- The cover (Fig. 5, [C]) can now be removed by slightly rotate. When reassembling, work in the opposite way being careful to insert the tongue of the cover into the slot.

5.2 Draining the heater

If the heater has been installed with flexible hoses:

- Shut off the power supply.
- Turn the heater upside down over a sink to drain the water out of it.

5.3 Inspecting the anode rod

If the heater has been installed with flexible hoses:

The purpose of the anode rod (Fig. 8, [N]) is to protect the tank against corrosion. It is critical that the anode rod be inspected once a year to determine whether it requires replacement. To access the anode rod, the heating element must be removed (see Section 5.4 Removing the heating element). Upon inspection, the anode rod surface should appear smooth. If the rod surface appears pitted, bumpy, rusty, or if the rod is missing completely, then it must be replaced.

To access the anode rod:

- Remove the heating element (see Section 5.4 Removing the heating element).

Original anode rod sizes

- FDES-ET25, FDES-ET40 and FDES-ET80: length 4.72" diameter 0.787"

Certain installations may require more frequent replacement of the anode rod:

- recirculation applications;
- poor water quality;
- galvanic/electrolytic corrosion
- high flow applications

In the event of poor water quality, we recommends consulting a local water treatment professional for water treatment options. Always ensure the water heater is grounded. **Damage resulting from poor water quality or failure to replace the anode rod is not covered under the manufacturer's warranty.** For additional questions, please call Fogatti Technical Service.

5.4 Removing the heating element

- Take out the power cord L from the plastic part. (Fig. 6)
- Use a cross screwdriver to unscrew the 3-in-1 cross screw J on the heating element terminals of red wire J and blue wire C. (Fig. 6)
- Remove the wire nail I and press the thermostat capillary G and the thermal cut-out capillary H, and take it out of the blind tube opening.(Fig. 6)
- Loosen the 5 nuts and spring washer on the heating element pressing plate A with the sleeve, and take out the heating element pressing plate A.(Fig. 6)
- Remove heating element B.(Fig. 6)

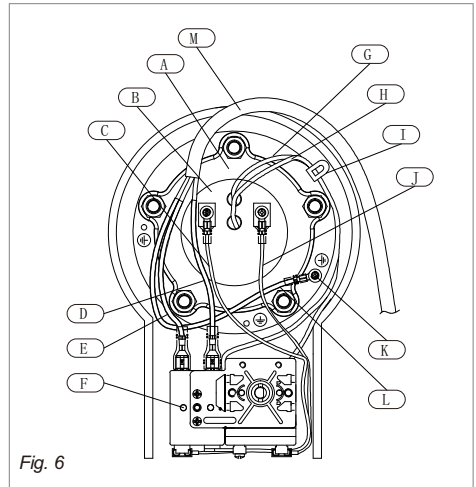


Fig. 6

- A. Heating Element Pressing Plate
- B. Heating Element
- C. Wire
- D. Live Wire
- E. Null Wire
- F. Return Pin
- G. Thermostat Capillary
- H. Thermal cut-out Capillary
- I. Wire Nail
- J. Red Wire
- K. 3-in-1 Cross Screw
- L. Ground Wire
- M. Power Cord

6. Replacement of parts

6.1 Changing the anode rod

- Turn off the power supply and drain the heater (see Draining the Heater).
- Remove heating element (see previous section).
- Unscrew anode rod from threaded connection.
- Remove and replace the anode rod (Fig. 8, [N]).
- Reinstall heating element.
- Refill tank with water before restoring power.

6.2 Changing the heating element

- Turn off power supply and drain the heater (see Draining the Heater).
- Remove the heating element (see section on Removing the Heating Element).
- Install new element with gasket, making sure the gasket and element are positioned correctly. Tighten the retaining nuts and make the wire connections.
- Ensure that the thermostat temperature sensor is inserted into the well located on the element assembly and secured with black rubber grommet.
- Refill tank with water before restoring power.

6.3 Changing the thermostat

- Turn off power supply.
- Disconnect the 2 wire connectors on thermostat.
- Loosen the two brass screws at right side of thermostat and pull wires out.
- Remove thermostat temperature sensor from well located in element assembly.
- Unscrew and remove the two Phillips screws holding the thermostat onto the tank.
- Install new thermostat and re-attach wiring and screws.
- Ensure that the thermostat temperature sensor is inserted into the well located on the element assembly and secured with black rubber grommet.

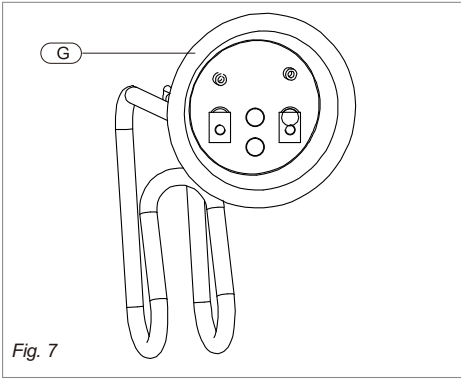


Fig. 7

5.5 Descaling the heating element

Scale deposits can affect the heating capability of the element. Heavy scale can even cause damage to the element. The element can be descaled either chemically or manually:

- Soak the element in white vinegar or other descaling solution.
- Once descaled, rinse well with fresh water, to which you should add some baking soda.
- or-
- Once the element has dried, use a soft brush (non metallic to prevent damaging the stainless steel sheath) on element.
- Brush the dried mineral off.
- Reinstall the element with gasket and make the wire connections.

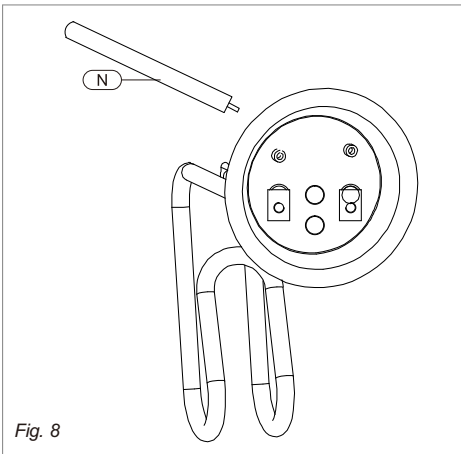


Fig. 8



NOTICE

Make sure the tank has been refilled with water before restoring power.

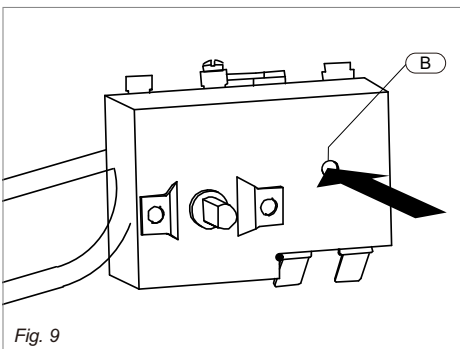
7. Troubleshooting

Problem	Solution
Water does not get hot.	Make sure the power supply is on and working.
	If light does not come on, check that the high limit reset button is pushed in; follow steps in section 7.1.
	If the indicator light works properly but temperature does not get hot at the tap, test for a plumbing crossover; shut off cold supply to heater and open hot water tap. There should be no water flowing. Any continued flow indicates a crossover which will effect the temperature and will need to be corrected.
	Call a qualified service technician to test the resistance of the heating element (8-10 ohms). Heating element should be replaced if readings are outside these values.
Light not on.	If the light does not come on, but water gets hot, check for faulty bulb.
	Check high limit reset button; follow steps in section 7.1;
Brown water.	Brown or rusty water indicates a "spent" anode rod and possible deterioration of the tank body. Inspect the tank for leaks. Check anode rod (see section on changing the anode rod).
Leaking.	Check water fittings and T & P fitting on top of tank.
	Remove front cover and inspect heating element gasket.
	If tank is leaking call Fogatti Water Heating for warranty claim if still within warranty period.
	Check anode rod (see section on changing the anode rod).

7.1 Resetting High Limit Switch

Occasionally, the high temperature limit shut off device may trip the reset. This occurs when water temperature exceeds 203 °F. The shut off device may also trigger from a power outage or electrical storm. To reach the thermostat:

- Disconnect power cord (or shut off circuit breaker - model FDES-ET80) and remove installation cover.
- Firmly press reset button (Fig. 9, [B]) with the tip of a ball point pen or similar object.



A click indicates the reset was tripped.

- Reconnect power

IMPORTANT: Check the operation of the thermostat:

- Turn temperature dial from high to low.

If the red light does not go off on low setting:

- Turn off power supply and call a service person to replace the thermostat.
If the red light does go off the thermostat is working well:
- Place dial setting to desired setting.



A lower setting is more economical and reduces the risk of scalding.

- Replace cover plate.



CAUTION

Call a technician if the high limit needs to be reset frequently.

8. FOGATTI interior components diagram

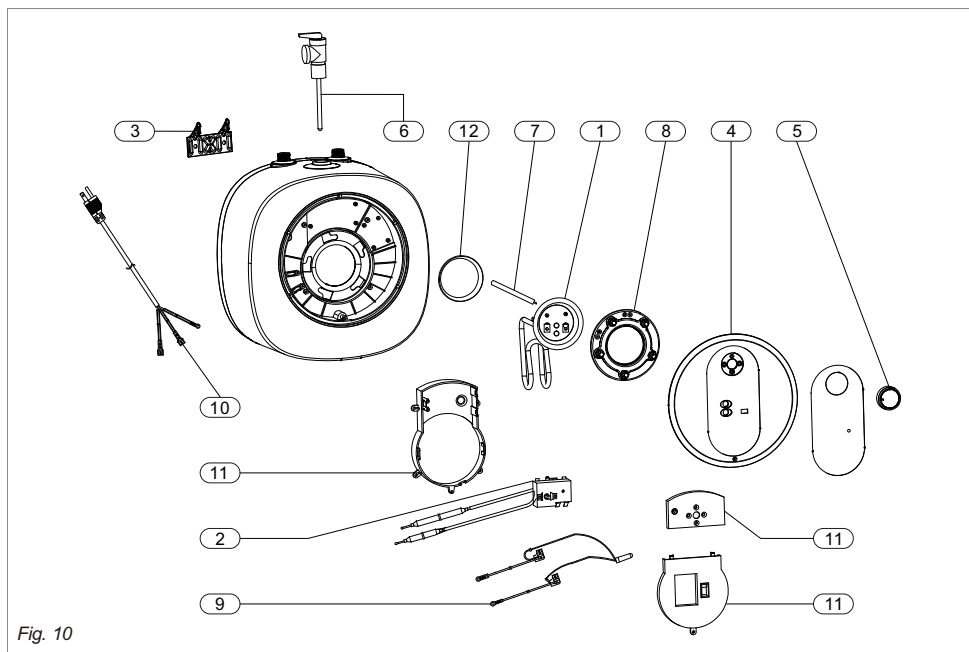


Fig. 10

Part	Description	Model
1	HEATING ELEMENT 1440W	FDES-ET25 / FDES-ET40/ FDES-ET80
2	THERMOSTAT	FDES-ET25 / FDES-ET40/ FDES-ET80
3	HEATER WALL HANGING BRACKET	FDES-ET25 / FDES-ET40/ FDES-ET80
4	PLASTIC COVER	FDES-ET25 / FDES-ET40/ FDES-ET80
5	KNOB	FDES-ET25 / FDES-ET40/ FDES-ET80
6	VALVE T&P 3/4 (Attached in the product package.)	FDES-ET25 / FDES-ET40/ FDES-ET80
7	MAGNESIUM ANODE D:20 L:120 MM	FDES-ET25 / FDES-ET40/ FDES-ET80
8	GASKET WITH 5 BOLTS	FDES-ET25 / FDES-ET40/ FDES-ET80
9	LAMP	FDES-ET25 / FDES-ET40/ FDES-ET80
10	POWER CABLE	FDES-ET25 / FDES-ET40
11	FIREPROOF COMPONENT	FDES-ET25 / FDES-ET40/ FDES-ET80
12	GASKET	FDES-ET25 / FDES-ET40/ FDES-ET80

TABLE DE MATIÈRE

1 Explication des symboles et informations de sécurité	14
1.1 Clé des symboles	14
1.2 Information de sécurité	14
2 Informations sur le produit	15
2.1 Aperçu des modèles	15
2.2 Dimensions	16
2.3 Données techniques	16
3 Instructions d'installation	17
3.1 Montage du chauffe-eau	17
3.2 Raccordement des tuyaux	17
3.3 Expansion thermique du système fermé	17
4 Utilisation	18
4.1 Démarrage et test	18
4.2 Réglage de température	18
5 Entretien	19
5.1 Retrait du couvercle	19
5.2 Vidange du chauffe-eau	19
5.3 Inspection de la tige d'anode	19
5.4 Démontage de l'élément chauffant	19
5.5 Détartrage de l'élément chauffant	20
6 Remplacement des pièces	20
6.1 Remplacement de la tige d'anode	20
6.2 Changement de l'élément chauffant	20
6.3 Changement du thermostat	20
7 Dépannage	21
7.1 Réinitialisation de l'interrupteur de haute température	21
8 Schéma des composants intérieurs de la FOGATTI	22

1. Explication des symboles et informations de sécurité

1.1 Clé des symboles

Avertissements



Les avertissements figurant dans ce document sont identifiés par un triangle d'avertissement imprimé sur un fond gris. Les mots-clés au début d'un avertissement indiquent le type et la gravité du risque qui en découle si des mesures de prévention du risque ne sont pas prises.

Les mots-clés suivants sont définis et peuvent être utilisés dans ce document :



AVIS
indique que des dommages matériels peuvent survenir.



ATTENTION :
indique qu'il y a un risque de blessures.



AVERTISSEMENT
indique que des blessures graves peuvent se produire.



DANGER
indique que des blessures graves ou la mort peuvent survenir.

Informations importantes



Ce symbole indique une information importante pour laquelle il n'y a aucun risque pour les personnes ou les biens.

Symboles supplémentaires

Symbole	Explication
■	Étape d'une séquence d'actions
→	Renvoi à une autre partie du document
•	Entrée de liste

1.2 Informations de sécurité



ATTENTION :
Lors de l'utilisation d'appareils électriques, il convient de respecter les consignes de sécurité visant à réduire les risques d'incendie, d'électrocution ou de blessure, notamment :

- LISEZ TOUTES LES INSTRUCTIONS AVANT D'UTILISER CE CHAUFFE-EAU.
- Ce chauffe-eau doit être mis à la terre. Ne le raccordez qu'à une prise de courant correctement mise à la terre. Voir "INSTRUCTIONS DE MISE À LA TERRE" dans les "INSTRUCTIONS D'INSTALLATION".
- Installez ou localisez ce chauffe-eau uniquement en suivant les instructions d'installation fournies.
- Utilisez ce chauffe-eau uniquement pour l'usage auquel il est destiné comme ce que décrit ce manuel.
- Les modèles FDES-ET25 et FDES-ET40 sont équipés d'un cordon d'alimentation. N'utilisez pas de rallonge électrique.

Si aucune prise n'est disponible à côté du chauffe-eau, contactez un électricien qualifié pour en faire installer une correctement près du chauffe-eau. Le modèle FDES-ET80 doit être câblé. Voir les instructions d'installation.

- Comme pour tout appareil, une surveillance étroite est nécessaire lorsqu'il est utilisé par des enfants.
- Ne faites pas fonctionner ce chauffe-eau si le cordon ou la fiche est endommagé, s'il ne fonctionne pas correctement, s'il est endommagé ou s'il est tombé.
- Ce chauffe-eau ne doit être entretenu que par un personnel de service qualifié. Contactez un technicien pour tout examen, réparation ou ajustement.
- Le fait de ne pas inspecter la tige d'anode au moins une fois par an peut entraîner une défaillance et une fuite du réservoir. Cette situation n'est pas couverte par la garantie du fabricant.
- Tout chauffe-eau doit être installé de manière à ce que, en cas de fuite, l'écoulement d'eau qui en résultera ne cause pas de dommages à l'endroit où il est installé. Les codes nationaux de plomberie exigent un bac de vidange pour toute installation de chauffe-eau. L'absence d'un tel bac est la seule responsable du propriétaire et/ou de l'installateur. Référez-vous à la Section 508.1 du UPC 2006 (Code de plomberie uniforme) ou à la Section 504.7 du IPC 2006 (Code international de plomberie).



AVIS :
L'installateur doit revoir le contenu de ce manuel avec le propriétaire à la fin de l'installation, et le manuel doit être laissé au propriétaire et placé dans un endroit proche de l'installation.



AVIS :
Le fabricant ne peut pas être tenu responsable des dommages causés par une installation incorrecte ou par le non-respect des instructions de ce manuel. Respectez les instructions d'installation avant de procéder au raccordement électrique.



AVIS :
Le thermostat a été pré-réglé en usine à une température égale ou inférieure à 51,7 °C (125 °F) (→Fig. 1).

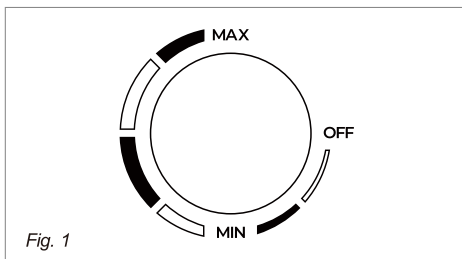


Fig. 1

**DANGER**

Du gaz hydrogène peut être produit dans un système d'eau chaude desservi par ce chauffe-eau qui n'a pas été utilisé pendant une longue période (2 semaines ou plus). Le gaz d'hydrogène est extrêmement inflammable. Pour réduire le risque de blessure dans ces conditions, il est recommandé d'ouvrir le robinet d'eau chaude pendant plusieurs minutes à l'évier de la cuisine avant d'utiliser tout appareil électrique connecté au système d'eau chaude. En présence d'hydrogène, il y aura probablement un bruit inhabituel, comme de l'air s'échappant par le tuyau lorsque l'eau commence à couler. Il ne doit pas y avoir de cigarette ou de flamme nue près du robinet lorsqu'il est ouvert.

**ATTENTION**

Tout chauffe-eau doit être installé de manière à ce que, en cas de fuite, l'écoulement d'eau qui en résultera ne cause pas de dommages à l'endroit où il est installé. Les codes nationaux de plomberie exigent un bac de vidange pour toute installation de chauffe-eau. Le fait de ne pas en installer un relève de la seule responsabilité du propriétaire et/ou de l'installateur. Référez-vous à la Section 508.1 du code UPC 2006 (Code de plomberie uniforme) ou à la Section 504.7 du IPC 2006 (Code international de plomberie).

**ATTENTION**

Avant de brancher l'alimentation électrique, assurez-vous que le réservoir est plein d'eau et que le système est purgé d'air.

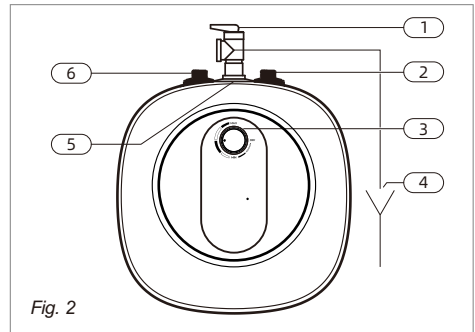
**AVIS**

La défaillance du réservoir due à la négligence de l'entretien de la tige d'anode n'est pas couverte par la garantie (voir Section 5 Entretien).

2. Informations sur le produit

2.1 Aperçu des modèles

Modèles FDES-ET25, FDES-ET40 et FDES-ET80



1. Soupape de sécurité température et pression, ¼ NPT mâle
2. Entrée d'eau froide (BLEU) ½ NPT mâle (FDES-ET25 et FDES-ET40)
Entrée d'eau froide(BLEU) ¾ NPT mâle (FDES-ET80 doit être équipé d'un convertisseur)
3. Bouton de réglage de la température
4. Soupape de sécurité température et pression, conduite d'évacuation vers le drain
5. Raccordement femelle NPT ¾ pour la soupape de sécurité
6. Sortie d'eau chaude (ROUGE) ½ NPT mâle (FDES-ET25 et FDES-ET40)
Sortie d'eau chaude(ROUGE) ¾ NPT mâle (FDES-ET80 doit être équipé d'un convertisseur)

2.2 Dimensions

Modèles FDES-ET25, FDES-ET40 et FDES-ET80 (installation verticale uniquement)

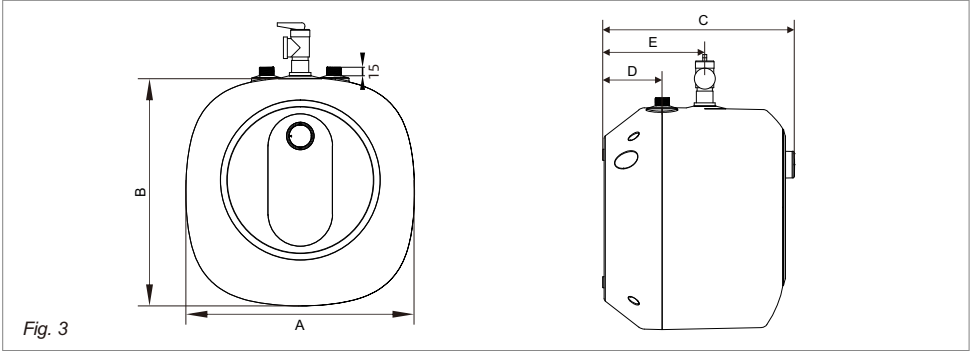


Fig. 3

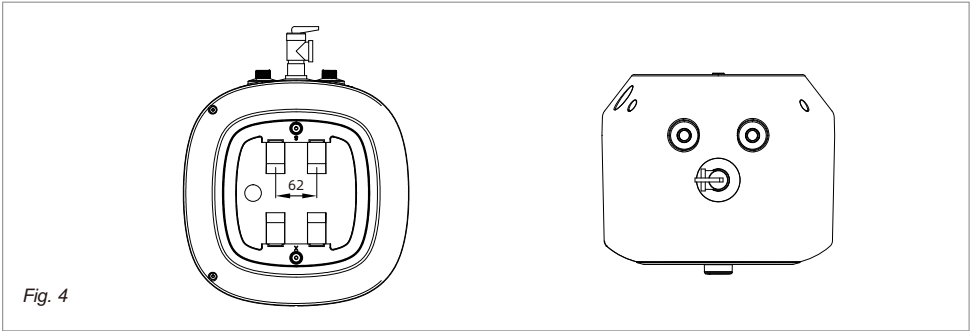


Fig. 4

Modèles FDES-ET25, FDES-ET40 et FDES-ET80 (installation verticale uniquement)

Capacité	Dimensions(inch)				
	A	B	C	D	E
2.5gal	13.39	13.39	11.42	3.58	6.14
4.0gal	14.96	14.96	12.80	4.13	6.69
8.0gal	17.32	17.32	15.35	5.20	8.38

2.3 Données techniques

Données techniques	Etank 25	Etank 40	Etank 80
Modèle(Unités)	FDES-ET25	FDES-ET40	FDES-ET80
Capacité (Gallons)	2.5	4.0	8.0
Tension (VAC)	120 pour chaque modèle		
Puissance à 120 VAC(Watts)	1440		
Pression d'eau maximale(Psi)	150		
Poids non emballé (Lbs)	17	20	27
Ampérage(Amps)	12.0 pour chaque modèle		
Phases	1		
Plage de température(°F)	55-145°F		

3. Instructions d'installation

3.1 Montage du chauffe-eau

Montage mural

- Fixez le support de montage fourni au mur.



AVIS : Dommages matériels !

Utilisez des vis adaptées au matériau du mur et au poids du chauffe-eau.

- Accrochez le chauffe-eau sur le support.
- Tirez vers le bas sur le chauffe-eau pour vous assurer que les deux "doigts" du support sont bien placés dans les fentes de montage.

Montage au sol

- Le chauffe-eau peut être posé sur le sol.

3.2 Raccordements des tuyaux

- Raccordez le tuyau d'arrivée d'eau froide au robinet d'arrivée (marqué d'un anneau bleu).
- Assurez-vous qu'une vanne d'isolement est installée sur l'alimentation en eau froide du chauffe-eau.
- Raccordez le tuyau de sortie d'eau chaude au robinet de sortie (marqué d'un anneau rouge).



ATTENTION

Pour réduire le risque de pressions et de températures excessives dans ce chauffe-eau :

- Installez l'équipement de protection de température et de pression requis par les codes locaux, mais pas moins qu'une soupape de sûreté combinée de température et de pression certifiée par un laboratoire d'essai reconnu à l'échelle nationale qui effectue des contrôles périodiques de la production des équipements ou des matériaux répertoriés, comme étant conforme aux exigences des Soupapes de sûreté et des dispositifs d'arrêt automatique du gaz pour l'alimentation en eau chaude. L'arrêt de l'alimentation en gaz pour systèmes à eau chaude, ANSI Z21.22.

La soupape de sûreté de température et pression fournie est marquée d'une pression de réglage maximale (150 psi) qui ne dépasse pas la pression de service maximale marquée du chauffe-eau.

- Installez la soupape dans l'ouverture prévue et marquée à cet effet dans le chauffe-eau.
- Orientez-la ou fournissez un tuyau de façon à ce que toute décharge de la valve sorte à moins de 6 pouces au-dessus, ou à n'importe quelle distance en dessous, du plancher structural, et ne puisse pas entrer en contact avec une partie électrique sous tension. L'ouverture de décharge ne doit en aucun cas être bloquée ou réduite en taille.

Les codes nationaux de plomberie peuvent exiger un bac de vidange pour l'installation du chauffe-eau. Le fait de ne pas en installer un relève de la seule responsabilité du propriétaire et/ou de l'installateur. Référence UPC (Code de plomberie uniforme), ou IPC (Code international de plomberie).

3.3 Closed system thermal expansion

La décharge périodique de la soupape de sûreté température et pression ou la défaillance du joint d'étanchéité de l'élément peut être due à la dilatation thermique dans un système d'alimentation en eau fermé. Le compteur d'eau du service public peut contenir un clapet de retenue, un dispositif anti-refoulement ou un réducteur de pression d'eau qui crée un système d'eau fermé.

Pendant le cycle de chauffage du chauffe-eau, l'eau se dilate, provoquant une augmentation de la pression à l'intérieur du chauffe-eau.

Dans ces conditions, la soupape de sûreté température et pression peut évacuer de l'eau chaude, ce qui entraîne une perte d'énergie et une accumulation de calcaire sur le siège de la soupape de sûreté.

Pour éviter que cela ne se produise, il existe deux recommandations :

- Installez un réservoir d'expansion à diaphragme adapté à l'eau potable sur la ligne d'alimentation en eau froide. Un réservoir d'expansion d'au moins 0,5 gallon devrait être utilisé.

Contactez le fournisseur d'eau local ou l'inspecteur en plomberie pour obtenir des informations sur la façon de contrôler cette situation. Ne pas boucher la soupape de sûreté de température et pression.

4. Utilisation

4.1 Démarrage et test



ATTENTION

NE PAS alimenter le chauffe-eau avant qu'il ne soit rempli d'eau.

Pour remplir le chauffe-eau:

- Ouvrir le robinet d'alimentation du chauffe-eau pour le remplir d'eau.
- Ouvrez le(s) robinet(s) d'eau chaude alimenté(s) par le chauffe-eau pour purger l'air du système.
Une fois l'air purgé, fermez le robinet d'eau chaude.
- Vérifiez visuellement qu'il n'y a pas de fuites.

Mise en marche du chauffe-eau

Pour les modèles qui ne sont pas équipés d'un interrupteur :

- Alimentez le chauffe-eau en branchant le cordon d'alimentation (modèles FDES-ET25, FDES-ET40) ou en ouvrant le disjoncteur (FDES-ET80).

Si le voyant ne s'allume pas, tournez le bouton de commande dans le sens des aiguilles d'une montre.

Le voyant s'allume jusqu'à ce que la température de l'eau atteigne le réglage du thermostat. Le voyant s'allumera à nouveau chaque fois que la température de l'eau à l'intérieur du réservoir descendra en dessous du réglage du thermostat.

4.2 Réglage de la température

Pour remplir le chauffe-eau :

La température de l'eau chaude est réglée en tournant le bouton M (Fig. 5) situé sur le couvercle avant. La plage de température est comprise entre 55 et 145°F.

- Tournez le bouton dans le sens des aiguilles d'une montre pour augmenter la température.
- Tournez le bouton dans le sens inverse des aiguilles d'une montre pour diminuer la température.

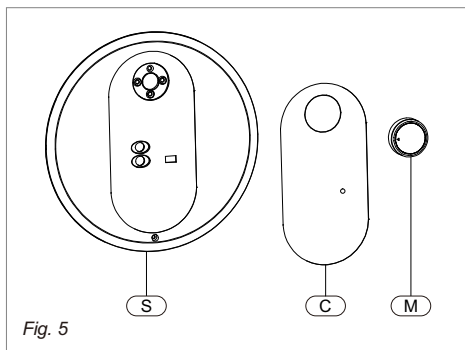


Fig. 5

5. Entretien



ATTENTION

N'essayez pas de réparer ce chauffe-eau vous-même. Appelez un technicien pour obtenir de l'aide. Coupez toujours l'alimentation électrique du chauffe-eau avant de procéder à son entretien ou à sa vidange.



Pour la plupart de ces opérations, l'eau devra être vidée du chauffe-eau. Pour toutes ces opérations, le cordon d'alimentation doit être débranché (FDES-ET25, FDES-ET40 et FDES-ET80) et le couvercle avant retiré.

5.1 Retrait du couvercle

- Retirez le joint en caoutchouc qui recouvre la vis Phillips (Fig. 5, [S]), et dévissez la vis Phillips.
- Le couvercle (Fig. 5, [C]) peut maintenant être retiré en le faisant légèrement pivoter. Lors du remontage, procédez dans le sens inverse en veillant à insérer la languette du couvercle dans la fente.

5.2 Vidange du chauffe-eau

Si le chauffe-eau est installé avec des tuyaux flexibles :

- Coupez l'alimentation électrique.
- Retournez le chauffe-eau au-dessus d'un évier pour vider l'eau qu'il contient.

5.3 Inspection de la tige d'anode

Si le chauffe-eau est installé avec des tuyaux flexibles :

Le but de la tige d'anode (Fig. 8, [N]) est de protéger le réservoir contre la corrosion. Il est essentiel que la tige d'anode soit inspectée une fois par an pour déterminer si elle doit être remplacée. Pour accéder à la tige d'anode, l'élément chauffant doit être retiré (voir Section 5.4 Retrait de l'élément chauffant). Lors de l'inspection, la surface de la tige d'anode doit être lisse. Si la surface de la tige semble piquée, bosselée, rouillée, ou si la tige est complètement absente, elle doit être remplacée.

Pour accéder à la tige d'anode :

- Retirez l'élément chauffant (voir la Section 5.4 Retirer l'élément chauffant).

Tailles originales des tiges d'anode

- FDES-ET25, FDES-ET40 et FDES-ET80 : longueur 4.72" diamètre 0.787".

Certaines installations peuvent nécessiter un remplacement plus fréquent de la tige d'anode :

- applications de recirculation ;
- mauvaise qualité de l'eau ;
- corrosion galvanique/électrolytique
- applications à haut débit

En cas de mauvaise qualité de l'eau, nous vous recommandons de consulter un professionnel local du traitement de l'eau pour connaître les options de traitement de l'eau. Assurez-vous toujours que le chauffe-eau est mis à la

terre. Les dommages résultant d'une mauvaise qualité de l'eau ou du non remplacement de la tige d'anode ne sont pas couverts par la garantie du fabricant. Pour toute question supplémentaire, veuillez appeler le service technique de Fogatti.

5.4 Removing the heating element

- Retirez le cordon d'alimentation L de la partie en plastique. (Fig.6)
- À l'aide d'un tournevis cruciforme, dévissez la vis cruciforme 3 en 1 J sur les bornes de l'élément chauffant du fil rouge J et du fil bleu C. (Fig.6)
- Retirer le clou de fil I et appuyer sur le capillaire du thermostat G et le capillaire de la coupure thermique H, et le sortir de l'ouverture du tube borgne. (Fig.6)
- Desserrer les 5 écrous et la rondelle élastique de la plaque de pression de l'élément chauffant A avec le manchon, et sortir la plaque de pression de l'élément chauffant A. (Fig.6)
- Retirer l'élément chauffant B. (Fig.6)

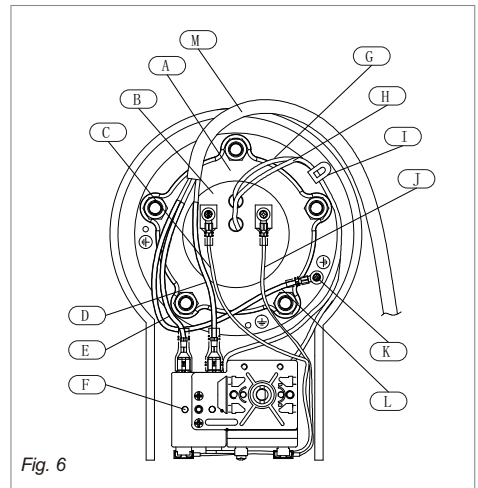


Fig. 6

- A. Plaque de pression de l'élément chauffant
- B. Élément chauffant
- C. Fil
- D. Fil sous tension
- E. Fil nul
- F. Broche de retour
- G. Capillaire du thermostat
- H. Coupure thermique Capillaire
- I. Clou métallique
- J. Fil rouge
- K. Vis transversale 3 en 1
- L. Fil de terre
- M. Cordon d'alimentation

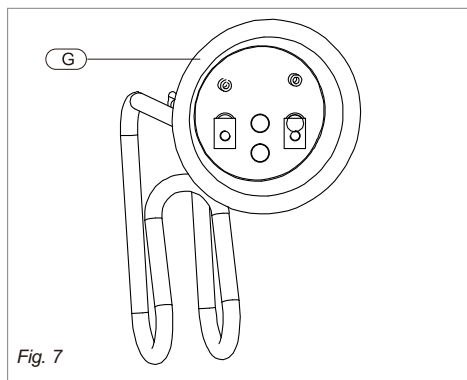


Fig. 7

5.5 Détartrage de l'élément chauffant

Les dépôts de calcaire peuvent affecter la capacité de chauffage de l'élément.

Un dépôt important peut même endommager l'élément. L'élément peut être détartré chimiquement ou manuellement :

- Faites tremper l'élément dans du vinaigre blanc ou une autre solution de détartrage.
- Une fois détartré, rincez-le bien à l'eau fraîche, à laquelle vous ajouterez du bicarbonate de soude.
- ou-
- Une fois que l'élément a séché, utilisez une brosse douce (non métallique pour ne pas endommager la gaine en acier inoxydable) sur l'élément.
- Brossez le minéral séché.
- Réinstallez l'élément avec le joint et effectuez les connexions des fils.

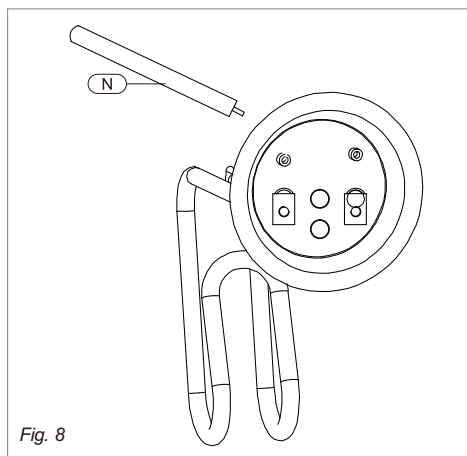


Fig. 8



AVIS

Assurez-vous que le réservoir est rempli d'eau avant de rétablir le courant.

6. Remplacement des pièces

6.1 Remplacement de la tige d'anode

- Couper l'alimentation électrique et vidanger le chauffe-eau (voir Vidange du chauffe-eau).
- Retirez l'élément chauffant (voir la section précédente).
- Dévissez la tige d'anode du raccord fileté.
- Retirez et remplacez la tige d'anode (Fig. 8, [N]).
- Réinstallez l'élément chauffant.
- Remplissez le réservoir d'eau avant de rétablir le courant.

6.2 Changement de l'élément chauffant

- Coupez l'alimentation électrique et vidangez le chauffe-eau (voir la section Vidange du Chauffe-eau).
- Retirez l'élément chauffant (voir la section Retirer l'Élément Chauffant).
- Installez le nouvel élément avec le joint, en vous assurant que le joint et l'élément sont correctement positionnés. Serrez les écrous de retenue et effectuez les connexions des fils.
- Veillez à ce que la sonde de température du thermostat soit insérée dans le puits situé sur l'ensemble de l'élément et fixée à l'aide du passe-fil en caoutchouc noir.
- Remplissez le réservoir d'eau avant de rétablir le courant.

6.3 Changement du thermostat

- Coupez l'alimentation électrique.
- Débranchez les deux connecteurs de fils du thermostat.
- Desserrez les deux vis en laiton sur la droite du thermostat et retirez les fils.
- Retirez le capteur de température du thermostat du puits situé dans l'assemblage de l'élément.
- Dévissez et retirez les deux vis Phillips qui maintiennent le thermostat sur le réservoir.
- Installez le nouveau thermostat et refixez le câblage et les vis.
- Assurez-vous que le capteur de température du thermostat est inséré dans le puits situé sur l'assemblage de l'élément et fixé avec le joint en caoutchouc noir.

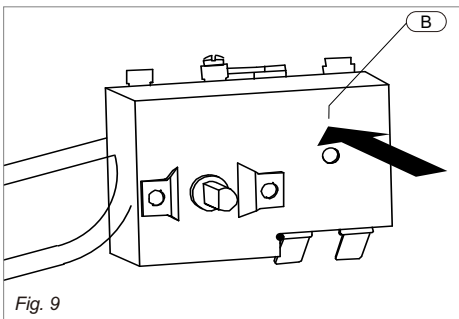
7. Dépannage

Problème	Solution
L'eau ne devient pas chaude.	Assurez-vous que l'alimentation électrique est sous tension et fonctionne.
	Si le voyant ne s'allume pas, vérifiez que le bouton de réinitialisation de l'interrupteur de haute température est appuyé; suivez les étapes de la section 7.1.
	Si le témoin lumineux fonctionne correctement mais que la température ne devient pas chaude au robinet, vérifiez s'il y a un croisement de plomberie ; coupez l'alimentation en eau froide du chauffe-eau et ouvrez le robinet d'eau chaude. Il ne devrait pas y avoir d'écoulement d'eau. Si l'eau continue de couler, cela signifie qu'il y a un croisement qui affecte la température et qui doit être corrigé.
	Appelez un technicien de service qualifié pour tester la résistance de l'élément chauffant (8-10 ohms). L'élément chauffant doit être remplacé si les lectures sont en dehors de ces valeurs.
La lumière ne s'allume pas.	Si le voyant ne s'allume pas, mais que l'eau devient chaude, vérifiez si l'ampoule est défectueuse.
	Vérifiez le bouton de réinitialisation de l'interrupteur de haute température; suivez les étapes de la section 7.1 ;
Eau brune.	Une eau brune ou rouillée indique une tige d'anode "usée" et une possible détérioration du corps du réservoir. Inspectez le réservoir pour détecter les fuites. Vérifiez la tige d'anode (voir la section sur le remplacement de la tige d'anode).
Fuite.	Vérifiez les raccords d'eau et le raccord T & P sur le dessus du réservoir.
	Retirez le couvercle avant et inspectez le joint de l'élément chauffant.
	Si le réservoir fuit, appelez Fogatti Water Heating pour une demande de garantie si la période de garantie n'est pas terminée.
	Vérifiez la tige d'anode (voir la section sur le remplacement de la tige d'anode).

7.1 Réinitialisation de l'interrupteur de haute température

De temps en temps, le dispositif d'arrêt de la limite de température élevée peut déclencher la réinitialisation. Cela se produit lorsque la température de l'eau dépasse 203 °F. Le dispositif d'arrêt peut également se déclencher à la suite d'une panne de courant ou d'un orage électrique. Pour atteindre le thermostat :

- Débranchez le cordon d'alimentation (ou coupez le disjoncteur - modèle FDES-ET80) et retirez le couvercle d'installation.
- Appuyez fermement sur le bouton de réinitialisation (Fig. 9, [B]) avec la pointe d'un stylo à bille ou un objet similaire.



Un clic indique que la réinitialisation a été déclenchée.

- Rebranchez l'alimentation

IMPORTANT : Vérifiez le fonctionnement du thermostat :

- Tournez le cadran de température de haut en bas.
Si le voyant rouge ne s'éteint pas sur le réglage bas :
- Couper l'alimentation électrique et appeler un technicien pour remplacer le thermostat.
Si le voyant rouge s'éteint, le thermostat fonctionne bien :
- Placez le cadran au réglage désiré.



Un réglage plus bas est plus économique et réduit le risque de brûlure.

- Remettez la plaque de recouvrement en place.



ATTENTION

Appelez un technicien si l'interrupteur de haute température doit être réinitialisé fréquemment.

8. Schéma des composants intérieurs du FOGATTI

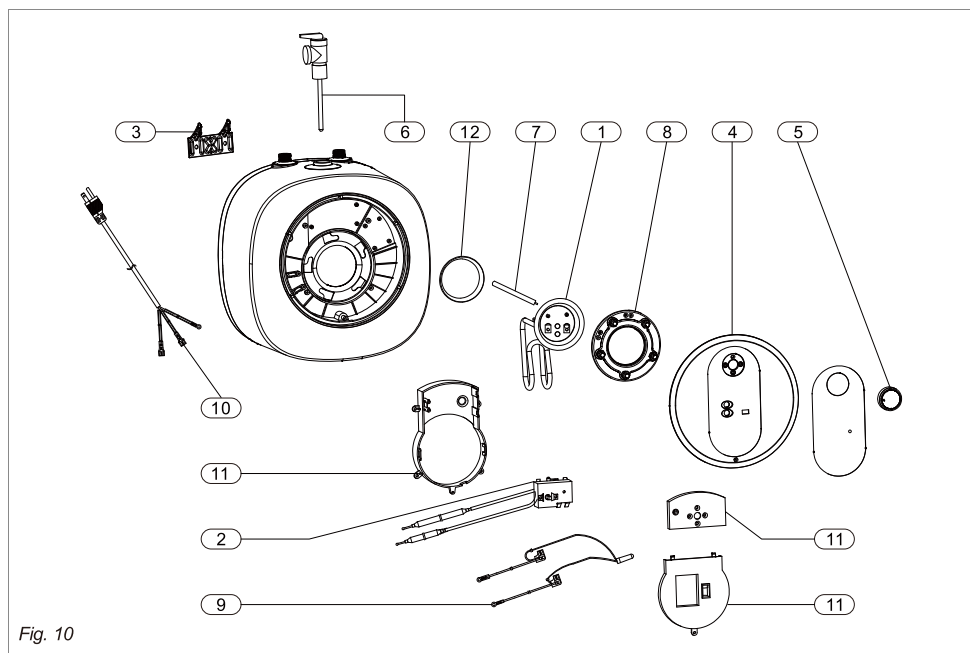



Fig. 10

Partie	Description	Modèle
1	ELEMENT CHAUFFANT 1440W	FDES-ET25 / FDES-ET40/ FDES-ET80
2	THERMOSTAT	FDES-ET25 / FDES-ET40/ FDES-ET80
3	SUPPORT DE SUSPENSION DU SUPPORT DU CHAUFFE-EAU	FDES-ET25 / FDES-ET40/ FDES-ET80
4	COUVERCLE EN PLASTIQUE	FDES-ET25 / FDES-ET40/ FDES-ET80
5	BOUTON	FDES-ET25 / FDES-ET40/ FDES-ET80
6	VANNE T&P ¾(Jointe dans l'emballage du produit.)	FDES-ET25 / FDES-ET40/ FDES-ET80
7	ANODE DE MAGNÉSIUM D:20 L:120 MM	FDES-ET25 / FDES-ET40/ FDES-ET80
8	JOINT AVEC 5 BOULONS	FDES-ET25 / FDES-ET40/ FDES-ET80
9	LAMPE	FDES-ET25 / FDES-ET40/ FDES-ET80
10	CÂBLE D'ALIMENTATION	FDES-ET25 / FDES-ET40
11	COMPOSANT IGNIFUGE	FDES-ET25 / FDES-ET40/ FDES-ET80
12	JOINT D'ÉTANCHÉITÉ	FDES-ET25 / FDES-ET40/ FDES-ET80

FOGATTI

WATER HEATING EXPERT

 877-216-1818 (8:30am-5:00pm EST Monday-Friday)

 service@fogattiliving.com