

VEVOR[®]

TOUGH TOOLS, HALF PRICE

Technical Support and E-Warranty Certificate www.vevor.com/support

AIR HOSE REEL

We continue to be committed to provide you tools with competitive price.

"Save Half", "Half Price" or any other similar expressions used by us only represents an estimate of savings you might benefit from buying certain tools with us compared to the major top brands and does not necessarily mean to cover all categories of tools offered by us. You are kindly reminded to verify carefully when you are placing an order with us if you are actually Saving Half in comparison with the top major brands.

VEVOR[®]

TOUGH TOOLS, HALF PRICE

AIR HOSE REEL

MODEL: NT-A30



NEED HELP? CONTACT US!




Have product questions? Need technical support? Please feel free to contact us:

Technical Support and E-Warranty Certificate
www.vevor.com/support

This is the original instruction, please read all manual instructions carefully before operating. VEVOR reserves a clear interpretation of our user manual. The appearance of the product shall be subject to the product you received. Please forgive us that we won't inform you again if there are any technology or software updates on our product.

PARAMETER

Model	Hose Length	Hose Diameter	Fitting	Product Max pressure	Type of Hose
NT-A30	100ft/30.48m	3/8"	1/4"NPT	150psi/10.34bar	RUBBER HOSE
NT-A30	50ft/15.24m	1/2"	1/2"NPT	150psi/10.34bar	HYBRID HOSE

	<p>WARNING</p> <ul style="list-style-type: none"> ● Read the manual carefully before use ● Not intended for use by children
	<p>Please retain instructions for future reference</p> <p>Protect yourself and others by observing all safety information, warnings and cautions. Failure to comply with instructions could result in personal injury and/or damage to product property.</p>
SAFETY	<p>WARNING! Read and understand all instructions before using this tool. The operator must follow basic precautions to reduce the risk of personal injury and/or damage to the equipment.</p> <p>Keep this manual for safety warnings, precautions, operating or inspection and maintenance instructions.</p> <p>Please familiarize yourself with the hazard notices found in this manual. A notice is an alert that there is a possibility of property damage, injury or death if certain instructions are not followed.</p> <p>DANGER! This notice indicates an immediate and specific hazard that will result in severe personal injury or death if the proper precautions are not taken.</p> <p>WARNING! This notice indicates a specific hazard or unsafe practice that could result in severe personal injury or death if the proper precautions are not taken.</p> <p>CAUTION! This notice indicates a potentially hazardous situation that may result in minor or moderate injury if proper practices are not taken.</p> <p>NOTICE! This notice indicates that a specific hazard or unsafe practice will result in equipment or property damage, but not personal injury.</p>
	<p>WEEE symbol. Waste electrical products should not be disposed of with household waste. Please recycle where facilities exist.</p> <p>Check with your Local Authority or local store for recycling advice.</p>

WORK AREA

1. Operate in a safe work environment. Keep your work area clean, well-lit and free of distractions.
2. Keep anyone not wearing the appropriate safety equipment away from the work area.
3. Store unused tools properly in a safe and dry location to prevent rust or damage. Lock tools away and keep out of the reach of children.

PERSONAL SAFETY

WARNING! Wear personal protective equipment approved by the Canadian Standards Association (CSA) or American National Standards Institute (ANSI).

PERSONAL PROTECTIVE EQUIPMENT

1. Always wear impact safety goggles that provide front and side protection for the eyes. Eye protection equipment should comply with CSA Z94.3-07 or ANSI Z87.1 standards based on the type of work performed.
2. Wear gloves that provide protection based on the work materials or to reduce the effects of tool vibration.
3. Wear protective clothing designed for the work environment and tool.
4. Non-skid footwear is recommended to maintain footing and balance in the work environment.

PERSONAL PRECAUTIONS

Control the tool, personal movement and the work environment to avoid personal injury or damage to tool.

1. Do not operate any tool when tired or under the influence of drugs, alcohol or medications.
2. Avoid wearing clothes or jewelry that can become entangled with the moving parts of a tool. Keep long hair covered or bound.

SPECIFIC SAFETY PRECAUTIONS

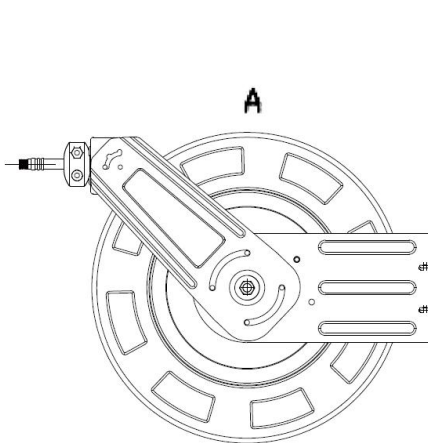
1. Use the correct tool for the job. This tool was designed for a specific function. Do not modify or alter this tool or use it for an unintended purpose.
2. Ensure that the reel is properly installed before connecting the input and output air hoses.
3. Remove system pressure immediately if a leak occurs in the hose or reel, or if the reel ceases to wind and unwind.
4. Release the hose slowly and control it as it retracts.

WARNING! DO NOT let comfort or familiarity with product (gained from repeated use) replace strict adherence to the tool safety rules. If you use this tool unsafely or incorrectly, you can suffer serious personal injury.

WARNING! Direct exposure of pressurized air or fluids to skin could result in severe bodily injury.

INSTALLATION

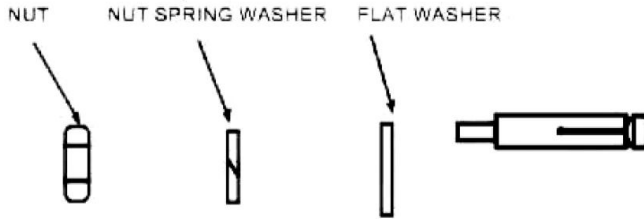
1. Take out all the spare parts from the box. (The picture is only for reference, Please make the object as the standard.)



$\phi 10 * 80$

EXPANSION BOLT

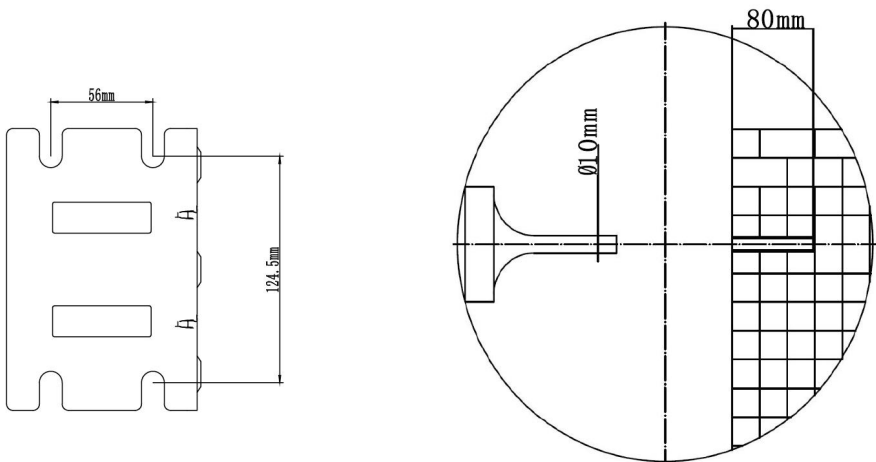
B

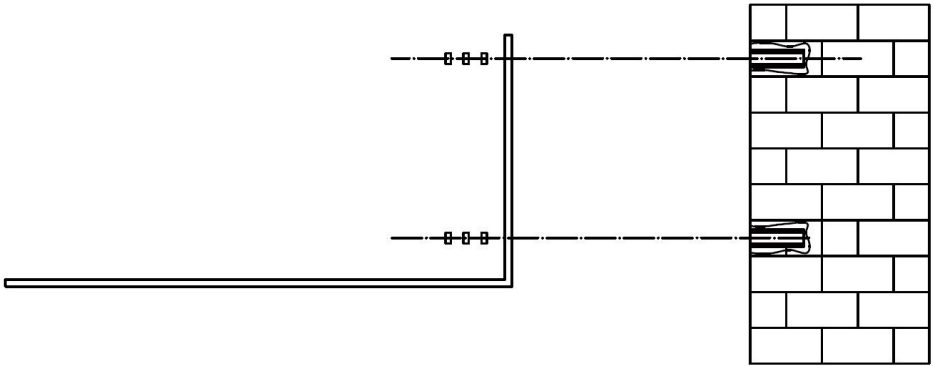


Ø10*80
EXPANSION BOLT

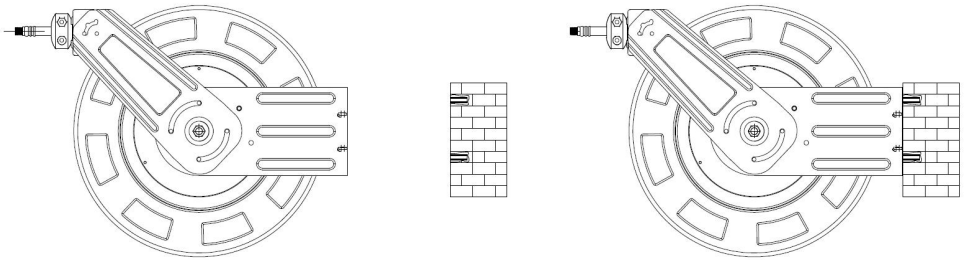
EXPANSION BOLT INSTALLATION ORDER

2. Choose a mounting location that is free of electrical wiring or other obstructions, and is sturdy enough to support the weight of the Reel and hose as well as the force used to extend and retract it. Make a paper template from the Mounting Plate of the Reel. Mark the center of the bolt holes in the desired mounting location.

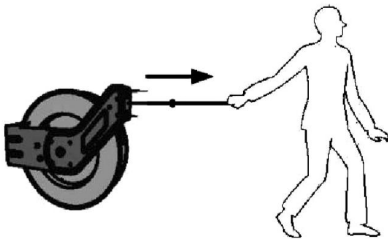




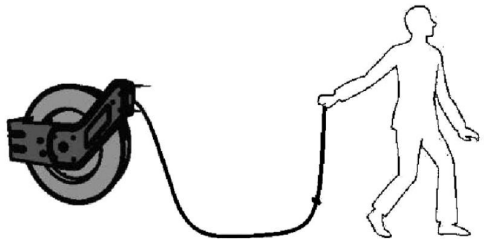
3. Mount the Reel with the Mounting Plate's holes to the back and secure in place with four bolts.



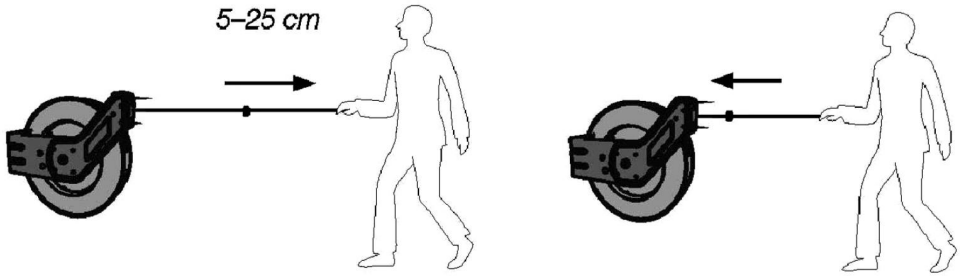
OPERATING INSTRUCTIONS



1. Pull the hose straight outward from the reel. A clicking noise will be heard.



2. Extend the hose whilst the clicking noise can be heard and stop at the desired length



4. To unlock the hose and allow it to rewind, extend it further until the clicking stops and then let it retract. Keep hold of the hose all the time. If you let go of the hose it will rewind in an uncontrolled manner at high speed and could cause an injury or damage surrounding objects. Note: It is easier for the hose to retract if it is not under pressure. Turning off the air compressor makes this easier.

CARE AND MAINTENANCE

1. Clean the air hose reel using a light moistened cloth. Only use mild cleaning agents, never solvents or corrosive chemicals.
2. Never immerse the air hose reel in water for cleaning
3. If the hose is dirty, wipe it clean before rewinding it on to the reel.
4. Do not use the air hose reel in extremely high or low temperatures since it may become difficult to handle.

DISPOSAL

This products should be disposed of in accordance with local regulations. If you are unsure how to proceed, contact your local authority.



Lock / to tighten or secure.



Lock / to tighten or secure.



Note / Remark.



Caution / Warning.



Read the instruction manual.



Wear hearing protection.



Wear eye protection.



Wear a dust mask.



Wear protective gloves.
footwear.



Wear protective, slip-resistant
footwear.

Manufacturer: Shanghaimuxinmuyeyouxiangongsi

Address: Shuangchenglu 803nong11hao1602A-1609shi, baoshanqu, shanghai 200000 CN.

Imported to AUS: SIHAO PTY LTD. 1 ROKEVA STREETEASTWOOD NSW 2122 Australia

Imported to USA: Sanven Technology Ltd. Suite 250, 9166 Anaheim Place, Rancho Cucamonga, CA 91730

EC	REP
-----------	------------

E-CrossStu GmbH
Mainzer Landstr.69, 60329 Frankfurt am Main.

UK	REP
-----------	------------

YH CONSULTING LIMITED.
C/O YH Consulting Limited Office 147, Centurion House,
London Road, Staines-upon-Thames, Surrey, TW18 4AX

VEVOR[®]

TOUGH TOOLS, HALF PRICE

Technical Support and E-Warranty Certificate

www.vevor.com/support