



Edgewood, New York 11717-8380

9/2012



Installation Instructions for TT Series Tables



**CHECK FOR CONCEALED DAMAGE
FILE CLAIM WITH DELIVERING FREIGHT CARRIER**

Tables manufactured by **ADVANCE TABCO** are designed and constructed for applications including Food Preparation, Cooking, Manufacturing, Material Handling, Laboratory Service and the like. **ADVANCE TABCO** does not recommend product use for activities employing harsh and active chemicals. Consult factory regarding unusual applications.

TABLES with Undershelf

This package contains Table Top, Undershelf, Legs & Set Screws

Step 1:

Lay the table top flat on the box to protect the finish during assembly. (Figure 1)

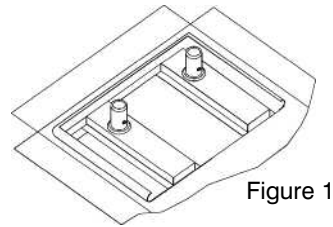


Figure 1

NSF Installations require all set screws filled with an approved silicone sealer.

Step 2:

Insert set screws into undershelf leg collar. Position leg into leg collar to desired height and tighten set screw to secure legs

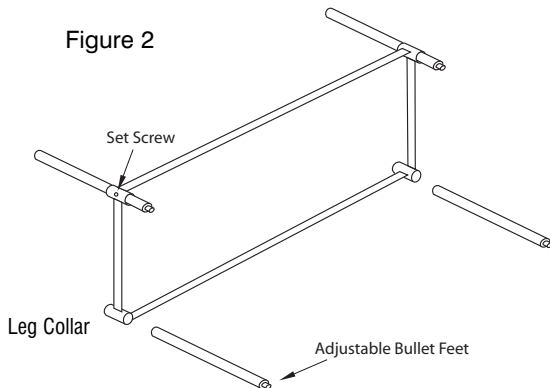


Figure 2

Set Screw

Leg Collar

Adjustable Bullet Feet

Step 3:

Insert legs and undershelf assembly into gussets of the table top as indicated in Figure 3. Tighten set screws.

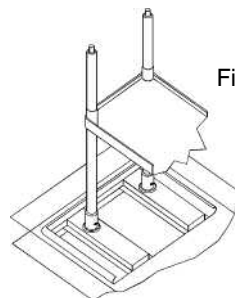
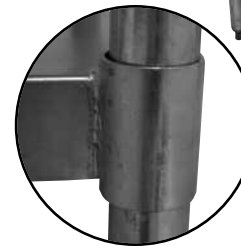


Figure 3

FINAL STEP

Turn table upright and level by adjusting bullet feet.



Leg Collar

NSF Installations require all set screws filled with an approved silicone sealer.

INSTALLATION OF ADVANCE TABCO DRAWERS:

if you are installing Advance Tabco Drawers, you will need to order a **TA-90 Drawer Adapter**. This will allow the drawers to attach to a TT Series Table.

Please see the Drawer Instruction Guide for Installation on the Advance Tabco website: <http://www.advancetabco.com>.

