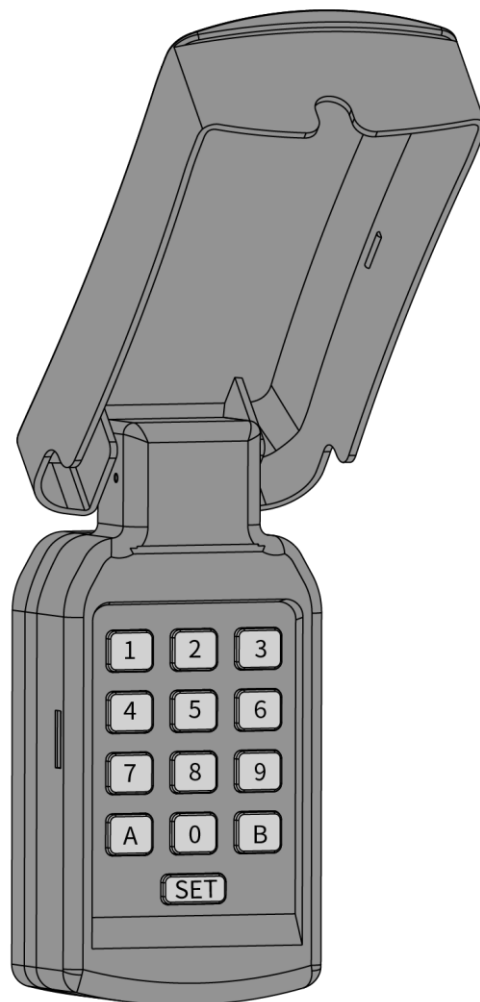


## Dual-Mode Universal Keypad (Wireless or Wired) User Manual



**Secure Access, Keyless Operation !**

## Product Description

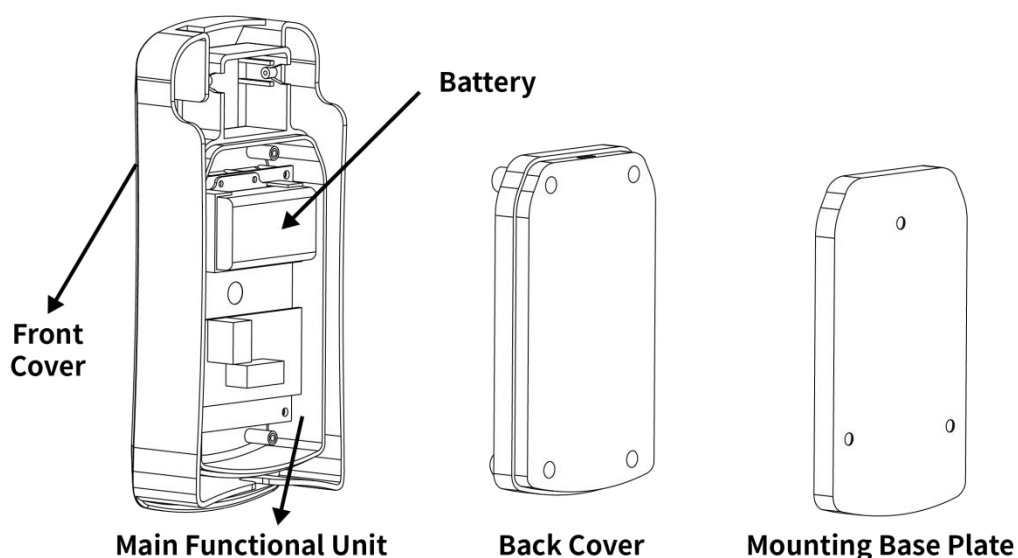
The universal keypad is a smart access control device that enables secure, keyless gate operation using user-defined passwords. It supports both wired and wireless installations, allowing flexible setup in various environments, and can be powered by a 9VDC carbon-zinc battery, the gate opener's control board, or an external 9-30VAC / DC power source.



### 1 SPECIFICATIONS

Wired Mode	Wireless Mode
<b>Power Input:</b> 9-30VAC / DC	<b>Power Input:</b> 9VDC Carbon-zinc Battery
<b>Operating Current:</b> < 50 mA	<b>Frequency:</b> 433.92MHz, TOPENS Rolling Code
<b>Relay Output:</b> SPST, 1A 120VAC / 24VDC	<b>Transmit Power:</b> Approx. 1mW
<b>Relay Unlock Output Time:</b> 0.5s	<b>Control Range:</b> Max. 10m (35 feet)
<b>Dimension:</b> 115 x 70 x 40 mm (4.5 x 2.8 x 1.6")	
<b>Protection Class:</b> IP55	
<b>Working Temperature:</b> -20°C ~ +50°C (0°F to 120°F)	

### 2 KEYPAD ILLUSTRATION



### 3 KEYPAD SETUP

The universal keypad offers both wired and wireless installation options for versatile setup in various environments. Each method involves a straightforward configuration process.

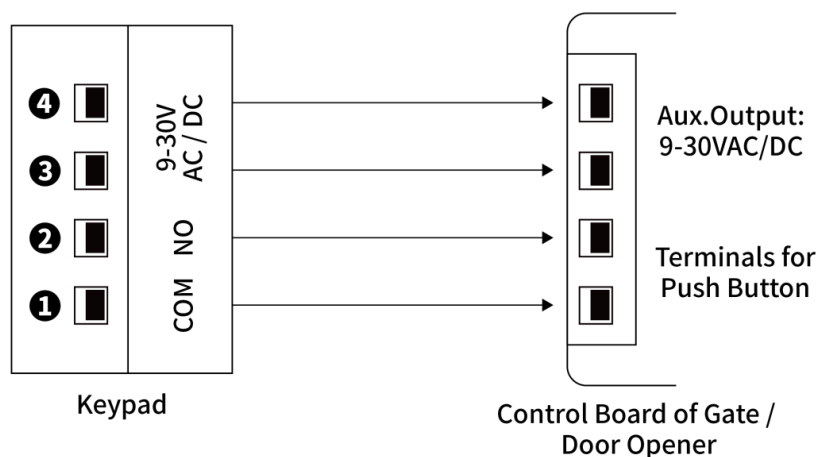
#### Wired Installation

##### STEP 1 Remove the Battery

- ◆ Disassemble the keypad by separating the mounting base plate, back cover, and main functional unit to access and remove the pre-installed battery.

##### STEP 2 Wire Connection

- ◆ Route a low-voltage connection wire (not included) through the hole at the bottom of the keypad.
- ◆ Connect the keypad's "COM" and "NO" terminals to the push button terminals on the gate opener's control board.
- ◆ Connect the "9-30V AC / DC" terminals to either the auxiliary power output on the control board or an external power source.
- ◆ Polarity does not need to be observed.
- ◆ For detailed wiring instructions with a TOPENS gate opener, refer to the *Connection of Accessories* section in the corresponding gate opener's installation manual.



##### STEP 3 Set the Codes

- ◆ Program a new Master Code and add a new Entry Code by following the instructions provided in the *Programming the Keypad* section of this user manual.

##### Notes:

- *Wired installation is recommended in areas with frequency interference or weak wireless signals.*
- *Be sure to remove the battery from the keypad before performing a wired installation, as leaving it in place may cause the keypad to malfunction.*
- *Use a 4C x 0.3 mm<sup>2</sup> (22 AWG) cable for wired installations (not included). The maximum recommended distance between the keypad and the control board is 15 meters (50 feet).*
- *Each keypad can be connected to only one gate opener. For optimal performance, it is recommended to connect no more than two keypads to a single gate opener at the same time.*

## Wireless Installation

### STEP 1 Install or Replace the Battery

- ◆ Remove the screw at the bottom of the mounting base plate and detach it from the back cover.
- ◆ Unscrew and remove the back cover from the main functional unit.
- ◆ Insert or replace a 9VDC carbon-zinc battery.

#### Notes:

- A 9VDC carbon-zinc battery is pre-installed at the factory.
- Replace the battery if the wireless signal weakens. A backup battery is included in the package.
- The keypad is powered by the 9VDC carbon-zinc battery unless connected to an external power source (e.g., the gate opener's power supply).

### STEP 2 Set the Codes

- ◆ Program a new Master Code and add a new Permanent Entry Code by following the instructions provided in the *Programming the Keypad* section of this user manual.

**IMPORTANT: A new Permanent Entry Code must be added before programming the keypad with the gate opener.**

### STEP 3 Program the Keypad with a TOPENS Gate Opener

- ◆ Enter the Permanent Entry Code while the keypad is in standby. The LED backlight will flash slowly.
- ◆ Press and release the remote control programming button (such as CODE SW, LNSW, LEARN, etc.) on the control board of your gate or door opener. The CODE LED (or REM LED, LEARN LED, etc.) will turn on, or the LCD will display the programming mode.
- ◆ Press button A (or B) once. The LED backlight will flash quickly. Press the same button again once the backlight changes from a rapid to a slow flash.
- ◆ The CODE LED (or REM LED, LEARN LED, etc.) on the control board will flash for approximately 3 seconds and then turn off, or the LCD will return to standby mode, indicating successful programming.

#### Notes:

- For independent control, one keypad can operate up to two swing gate openers or one sliding gate opener.
- Most TOPENS gate openers can pair directly with up to 8 TC188 keypads, while certain models support up to 120. When used with the TOPENS ERM12 External Receiver (sold separately), all models can support up to 250 keypads.
- For models with multiple Remote Control Working Modes, when set to Separate Mode, the keypad in wireless mode can only open the gate. Gate closure must be performed using a remote control or the TOPENS APP.

## 4 PROGRAMMING THE KEYPAD

- ◆ There are two types of codes used with the keypad: **Master Code** – used to add, delete, or modify Entry Codes, and **Entry Code** – used to operate the gate opener.
- ◆ The factory default Master Code is “9999”. For security purposes, it is strongly recommended to change this default code.
- ◆ The Entry Code includes two types: **Permanent Entry Code** – valid indefinitely until manually deleted, and **Temporary Entry Code** – valid for a specified number of uses. You can program either type according to your access requirements.
- ◆ The keypad can store up to 32 Permanent Entry Codes and 32 Temporary Entry Codes.
- ◆ All codes must be exactly 4 digits in length.

### Program a New Master Code

SET Old Master Code SET 01 SET New Master Code SET New Master Code SET

### Add a New Permanent Entry Code

SET Master Code SET 02 SET Entry Code SET Entry Code SET

**Note:** A new Permanent Entry Code must be added before programming the keypad with the gate opener in wireless mode.

### Change a Permanent Entry Code

SET Master Code SET 03 SET Old Entry Code SET New Entry Code SET New Entry Code SET

### Add a New Temporary Entry Code

SET Master Code SET 04 SET Entry Code SET Number of Uses SET

**Note:** The number of uses must be entered as two digits (e.g., for 2 uses, input “02” ).

### Delete a Single Entry Code (Permanent or Temporary)

SET Master Code SET 05 SET Entry Code SET

### Delete All Temporary Entry Codes

SET Master Code SET 66 SET

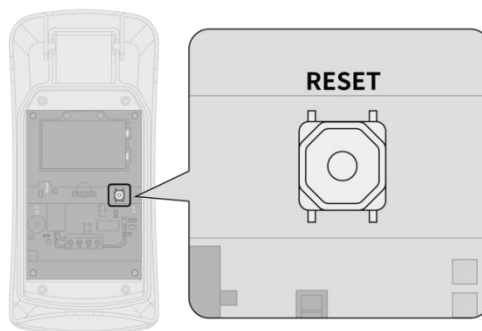
### Delete All Entry Codes (Permanent + Temporary)

SET Master Code SET 77 SET

### Reset the Master Code

To reset the Master Code to its factory default:

Press and hold the reset button on the back of the keypad’s control board for 4 seconds, until the blue backlight flashes rapidly and the buzzer emits two long beeps. The Master Code will then be reset to the default value: “9999” .



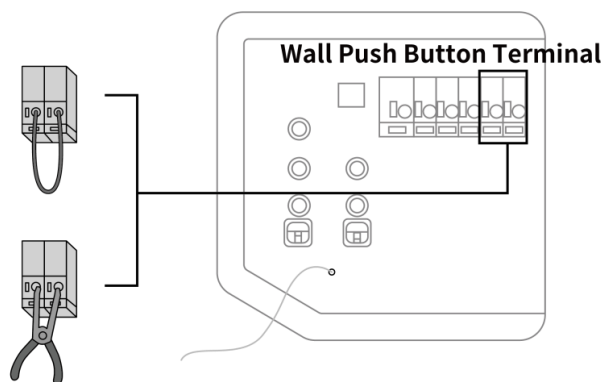
## 5 OPERATION TESTING

---

Enter the Entry Code, then press the programmed button A or B (or either button in wired mode) to operate the gate. Within 3 seconds of pressing button A or B, you can press the button again without re-entering the code to operate the gate.

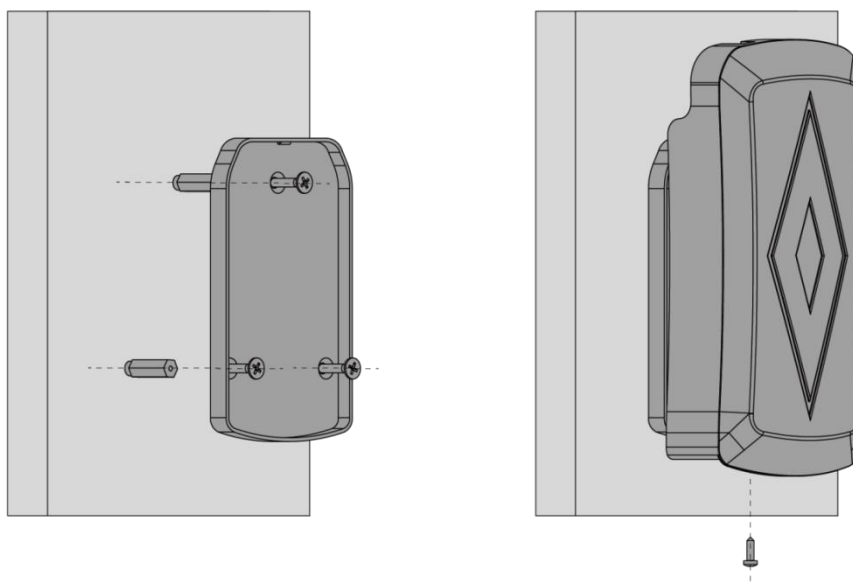
## 6 COMPATIBILITY WITH THIRD-PARTY OPENERS

- ◆ The keypad is compatible with all TOPENS swing and sliding gate openers, as well as the CASAR800 garage door opener.
- ◆ It also works with most third-party swing / sliding gate openers or garage door openers whose control boards accept a “Normally Open Dry Contact” signal.
- ◆ To check compatibility, use pliers or a piece of electric wire to short the wall button terminals of your opener. If the gate opens or closes, your opener is compatible with the TC188 universal keypad.
- ◆ For wireless mode with a third-party opener, connect the TOPENS ERM12 External Receiver (sold separately) to the control board, then program the keypad with the ERM12.
- ◆ For wired mode with a third-party opener, connect the keypad as instructed in the wire connection section above.
- ◆ The keypad is intended exclusively for gate and garage door openers and is not compatible with other types of door access control systems.



## 7 MOUNTING THE KEYPAD

- ◆ Remove the screw at the bottom of the mounting base plate and detach it from the back cover.
- ◆ Position the base plate on the wall or post and drill three mounting holes in accordance with the holes on the base plate.
- ◆ Insert the included plastic anchors into the drilled holes. Secure the base plate with the included screws.
- ◆ Attach the keypad to the base plate and fasten it securely.



**Notes:**

- *Keep the keypad out of the reach of children. Do not allow children to operate or play with the device.*
- *When using wireless mode, avoid installing the keypad near metal structures, as these may interfere with the wireless signal. For optimal performance, install the keypad within 10 meters (35 feet) of the gate opener and test the wireless range before final installation.*

## **Feedback & Review**

Your comments and suggestions are important to us  
as they help us provide the best possible service.

Should you have any need to contact us, the info below will help you get in touch:



TOPENS Website

**[www.topens.com](http://www.topens.com)**

Contact Us:

E-mail: [support@topens.com](mailto:support@topens.com)

*Kindly include your purchase channel, order #, gate information, issue description  
and your contact information. All your concerns will be replied within 24 hours.*

Tel: +1 (888) 750 9899 (Toll Free USA & Canada)