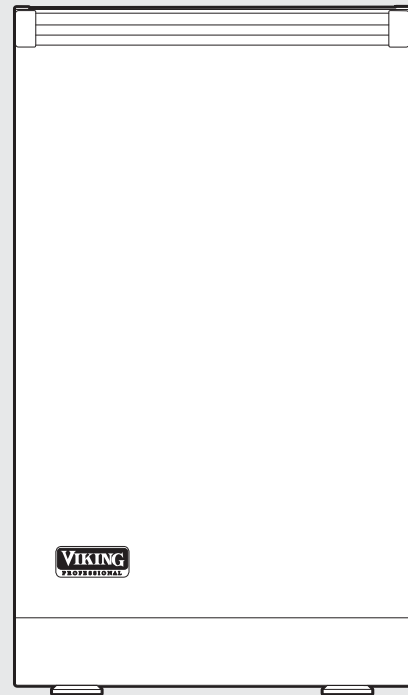


# Viking Installation Guide & Use & Care Manual



Trash Compactor

# Table of Contents

Warnings & Important Information _____	3
Dimensions _____	5
Specifications _____	6
Cutout Dimensions _____	7
Electrical Requirements _____	8
General Information _____	9
Installation _____	10
Panel Installation and Dimensions _____	11
Accessory Door Panel (PTDP15) _____	11
Accessory Door Panel (PDTP18) _____	12
Custom Door Panel _____	13
How the Compactor Works _____	14
Operation _____	15
Key Lock Switch _____	15
Clock/Auto Delay _____	15
Battery Backup _____	15
Preparing Odor Control Disk _____	16
Installing Odor Control Disk _____	16
Installing Bag _____	17
Compacting _____	17
Compacting Tips _____	17
Bag Removal _____	18
Cleaning _____	19
Troubleshooting _____	20
Service & Registration _____	21
Warranty _____	22



# IMPORTANT—Please Read and Follow!

- Before beginning—please read these instructions completely and carefully.
- **DO NOT** remove permanently affixed labels, warnings, or rating plates from the trash compactor. This may void warranty or create an unsafe product.
- Please observe all national and local codes.
- Please ensure that this product is properly grounded.
- The installer should leave these instructions with the consumer who should retain for local inspector's use and for future reference.

## **WARNING**

Make sure that incoming voltage is the same as unit rating. An electric rating plate specifying voltage, hertz, and amps is attached to the product. Wiring the compactor with more voltage than it is rated for may cause severe damage. To reduce the risk of fire, electric shock, or injury to persons, installation work and electrical wiring must be done by qualified technician in accordance with all applicable codes and standards, including fire-rated conditions.

## **Site Preparation**

It is recommended that a thorough site inspection be conducted PRIOR to unpacking and moving this appliance.

## **CAUTION**

The odor control disk contains material that may cause moderate eye irritation. Avoid contact with eyes. Harmful if swallowed. Wash skin or clothing thoroughly with soap and water after handling. **DO NOT** reuse empty foil pouch.

## **WARNING**

**DO NOT** compact aerosol cans or any other containers still holding or which held toxic chemicals, insecticides, or combustible contents. Fumes may be rereleased that are hazardous to health or may result in fire or explosion.

## **CAUTION**

Glass fragments and other sharp trash pieces may be on or around the surfaces to be cleaned. Carefully remove these objects before wiping down any surfaces.

## **WARNING**

**DO NOT** put paint, oily rags, lighter fluid cans, paint thinner cans, etc., in your compactor. Doing so could result in spontaneous combustion causing a fire and/or explosion.

## **CAUTION**

**NEVER** push trash into the bucket with hands or feet. Trash might contain broken glass, sharp pieces of metal, etc., which could cause injury.

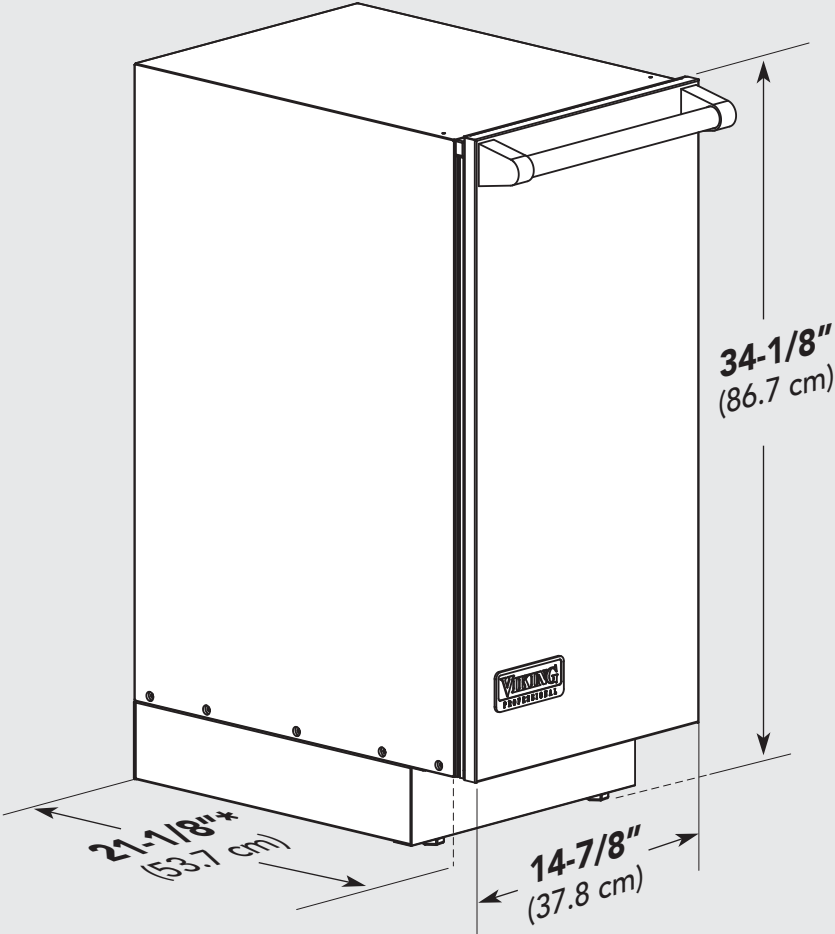
# IMPORTANT—Please Read and Follow!

## READ ALL INSTRUCTIONS CAREFULLY BEFORE OPERATING COMPACTOR.

Basic precautions should always be taken when using an electrical appliance – including the following:

- Close supervision is necessary when any appliance is operated near children. **DO NOT** allow the appliance to be used as a toy, or to run unattended at any time. Turn key to “OFF” and remove it to lock the compactor. Store the key out of reach to prevent children or others from operating or tampering with the compactor.
- **DO NOT** push trash into compactor drawer with hands or feet. Trash might contain broken glass, sharp pieces of metal, etc., which would cause injury.
- **DO NOT** compact volatile material. Paint, oily rags, lighter fluid cans, and paint thinner cans could combust spontaneously and cause an explosion and/or fire.
- **DO NOT** compact aerosol cans or any other containers still holding toxic chemicals, insecticides, or combustible contents. Fumes may be released which are hazardous to health.
- **DO NOT** compact lighted cigarettes, cigars, or other hot or burning items.
- **DO NOT** overload the compactor.
- Be careful when removing and carrying bag. Broken glass or other sharp objects may pierce bag. **DO NOT** overload trash bag with heavy material such as glass.
- **DO NOT** operate this unit with an extension cord.
- Use only Viking approved accessories.
- **DO NOT** touch moving parts.
- **DO NOT** take this appliance apart. Incorrect reassembly can cause electrical shock when operated.
- **DO NOT** operate with a damaged power cord, plug, motor, or after damage of any kind. Have the compactor examined, and all repairs made, by an authorized serviceman.
- This compactor is FOR HOUSEHOLD USE **ONLY**. Use it only as described in this manual.
- Unplug the appliance from outlet before servicing.

# Dimensions



**\*NOTE:** Not including handle.

# Specifications

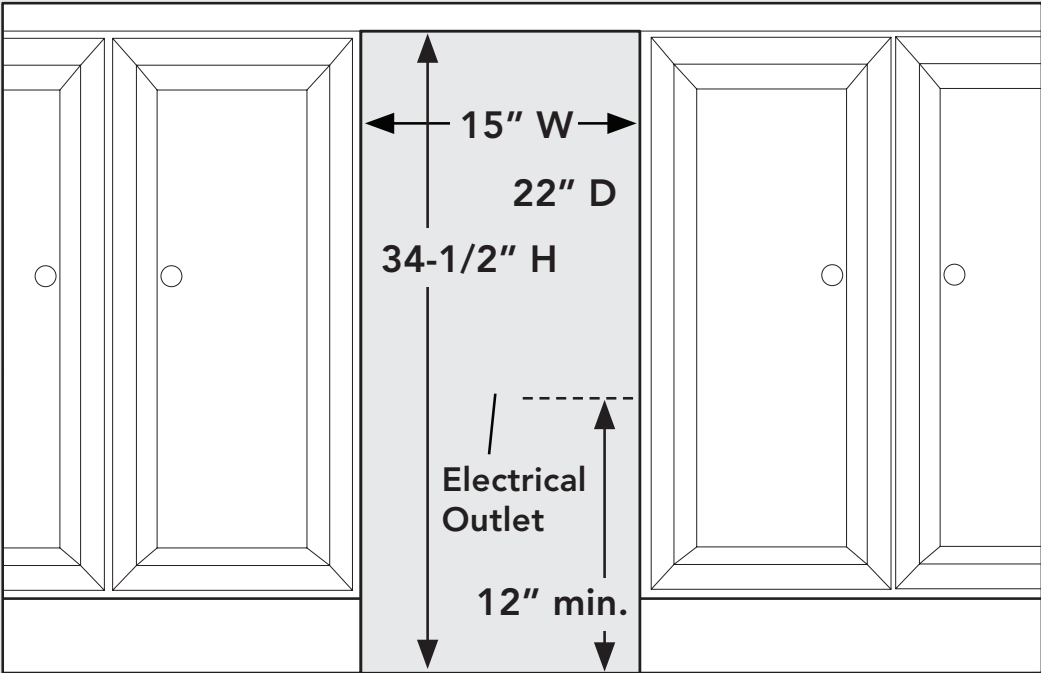
<b>Trash Compactor</b>	
<b>Description</b>	<b>FCU150</b>
Overall width	14-7/8" (37.8 cm)
Overall height from floor	34 1/8" min. to 35 1/8" max.
Overall depth from rear	21-1/8" (53.7 cm) Does not include accessory door panel
Cutout width	15" (38.1 cm)
Cutout height	34-1/2" (87.6 cm) min.
Cutout depth	22" (55.9 cm)
Electrical requirements	5.0 amps, 120VAC/60 Hz; 6' (1.82 m) electrical cord 3 prong plug supplied with unit
Approximate shipping weight	165lbs. (75kg)



# Cutout Dimensions

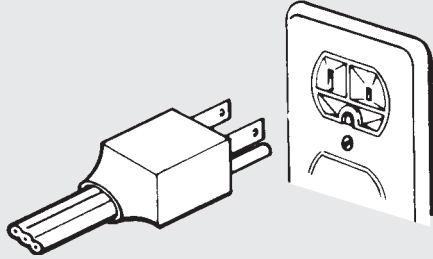
The compactor requires a minimum under-counter cutout opening 15" wide, 34½" high, and 22" deep.

Plan to provide an electrical outlet in the opening that meets all applicable electrical codes and requirements. See "Electrical Requirements" section on Page 8 for specific information.



# Electrical Requirements

## GROUNDING INSTRUCTIONS



**Important: TO REDUCE THE RISK OF ELECTRIC SHOCK - Please read carefully.**

**FOR PERSONAL SAFETY, THIS APPLIANCE MUST BE PROPERLY GROUNDED.** The power cord on this appliance is equipped with a three-prong (grounding) plug which mates with a standard three-prong (grounded) receptacle as illustrated above.

If there is a two-prong outlet located where you will install the compactor, it is your responsibility to have it replaced with a properly grounded three-prong wall receptacle. No adapter shall be used with this product.

**DO NOT, UNDER ANY CIRCUMSTANCES, CUT OR REMOVE THE THIRD (GROUND) PRONG FROM THE POWER CORD PLUG.**

The GREEN (or GREEN & YELLOW) conductor in the cord is the grounding wire. Never connect the GREEN (or GREEN & YELLOW) wire to a live terminal.

A 120 volt, 60 Hz., A.C., 15 amp fused and grounded electrical supply is required (time-delay fuse or circuit breaker is recommended). It is recommended that a SEPARATE CIRCUIT serving only this appliance be provided.

**DO NOT USE AN EXTENSION CORD WITH THIS APPLIANCE.**

# General Information

## **UNPACKING THE COMPACTOR**

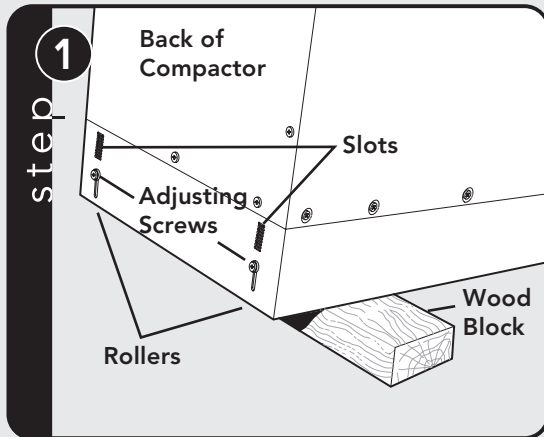
The trash compactor is shipped from the factory with packing material in the trash bucket and the ram in the down position.

The ram will return to the up position once the cord is plugged into an electrical outlet. Open the trash bucket and remove the packing material.

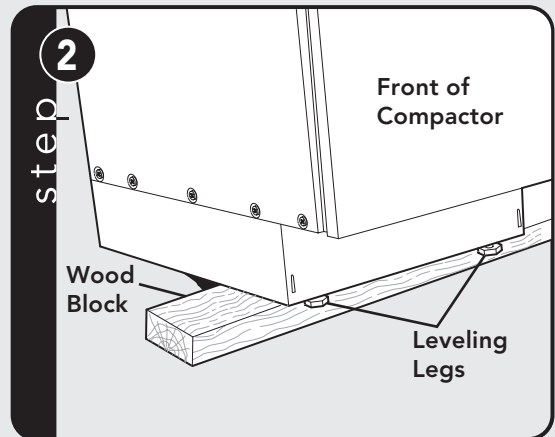
The compactor is only configured for built-in installations.

Your compactor has four adjustable levelers; (2) rollers in the rear and (2) legs in the front. They allow you to adjust for uneven floors and also trim the unit up to fit an under-counter installation.

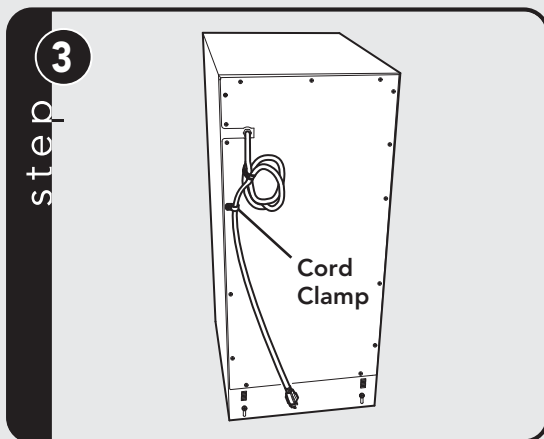
# Installation



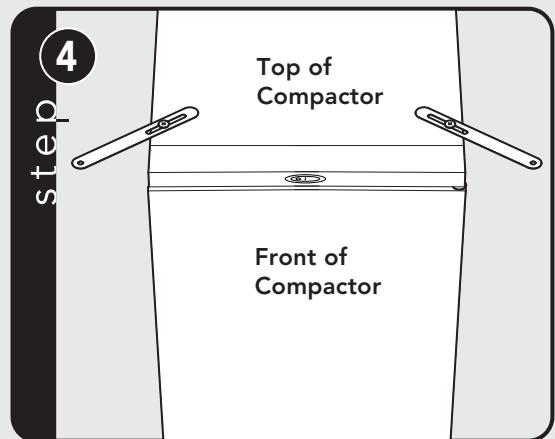
Tip the back of compactor up and onto a wood block. Loosen the adjusting screws only far enough to move the rollers to a higher or lower slot. Retighten the adjusting screws and remove the wood block.



Tip the front of compactor up and onto a wood block. Turn the leveling legs in or out to the desired position. Remove the wood block.



Use the cord clamp to prevent excess power cord from being pinched beneath the cabinet during installation or service.



Fasten the slotted end of the straps to the compactor using the holes in the top of the compactor cabinet as shown.

**NOTE:** When installing compactor under granite or solid-surface countertops, bend the mounting straps so they can be secured to the adjacent cabinetry.

# Panel Installation and Dimensions

## ACCESSORY DOOR PANEL (PTDP15)

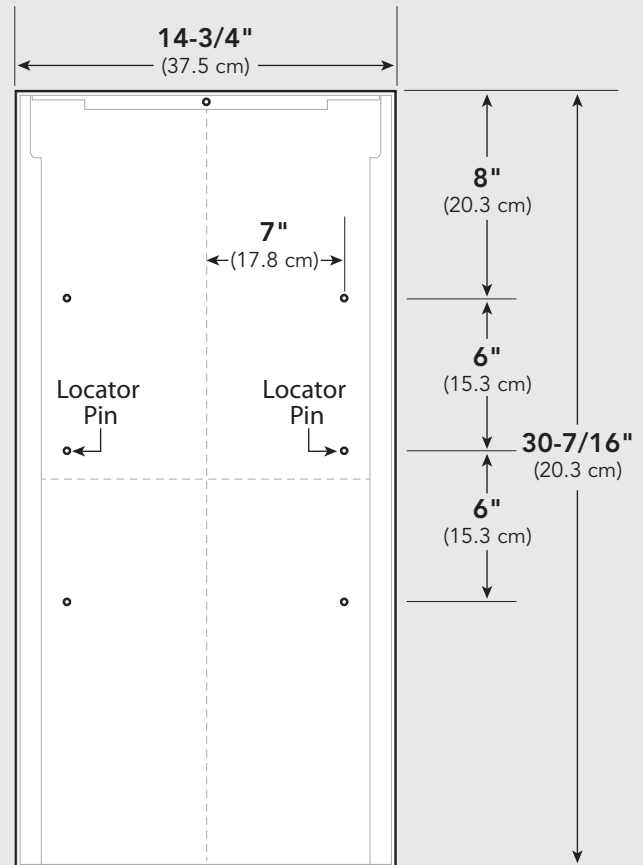
The following installation parts are supplied with PTDP15 door panels:

- Accessory door panel with foam insert (finish designates color)
- Foam insert
- 5 – #8 sheet metal screws

## Accessory Door Panel Installation (PTDP15)

The PTDP15 panel will be held on by five screws (supplied in door panel packaging) and two screws with locator pins pre-attached (supplied on panels).

1. Remove all plastic covering on the stainless steel panel.
2. Place the panel onto the outside of the door, aligning it with the pre-drilled holes on the trash compactor door facing.
3. Insert the panel into the door by inserting the pre-attached locator pins into the middle screw hole (second hole from top on left and right-hand sides).
4. Install the five screws provided with packaging into their designated locations (two on left, two on right, and one at the top).



# Panel Installation and Dimensions

## ACCESSORY DOOR PANEL (PTDP18)

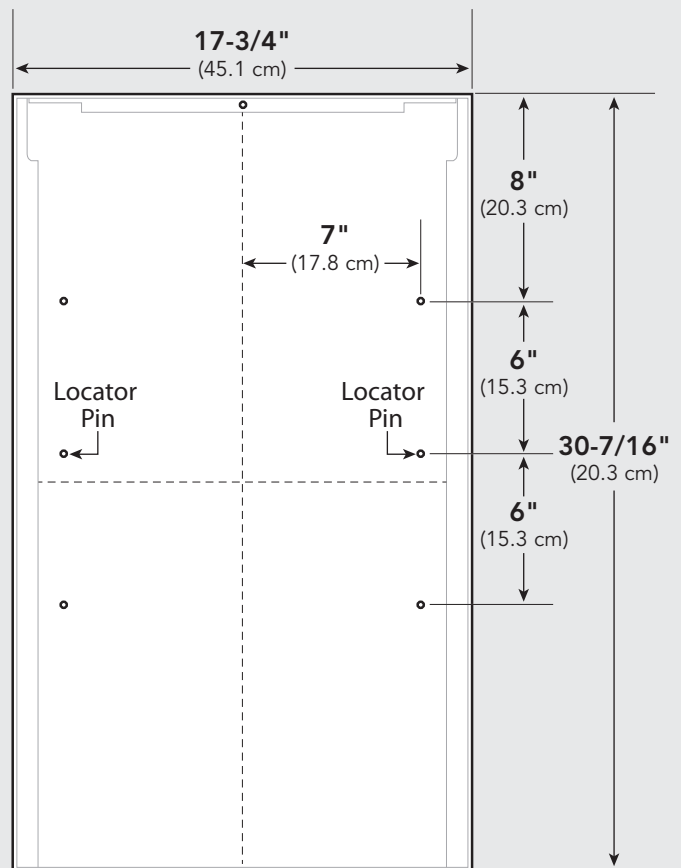
The following installation parts are supplied with PTDP18 door panels:

- Accessory door panel with foam insert (finish designates color)
- 2 – Accessory side trim pieces
- 13 – #8 Sheet metal screws

## Accessory Door Panel Installation (PTDP18)

The PTDP18 panel will be held on by five screws (supplied in door panel packaging) and two screws with locator pins pre-attached (supplied on panels).

1. Remove all plastic covering on the stainless steel panel.
2. Place the panel onto the outside of the door, aligning it with the pre-drilled holes on the trash compactor door facing.
3. Insert the panel into the door by inserting the pre-attached locator pins into the middle screw hole (second hole from top on left and right-hand sides).
4. Install the five screws provided with packaging into their designated locations (two on left, two on right, and one at the top).
5. Before installing the trash compactor into its cutout, the side trim pieces must be attached to the unit on each side. Please refer to the template included in your packaging and insert four screws in the designated locations on the left and right sides of the unit. You will be drilling directly into the unit to attach the trim pieces.



# Panel Installation and Dimensions

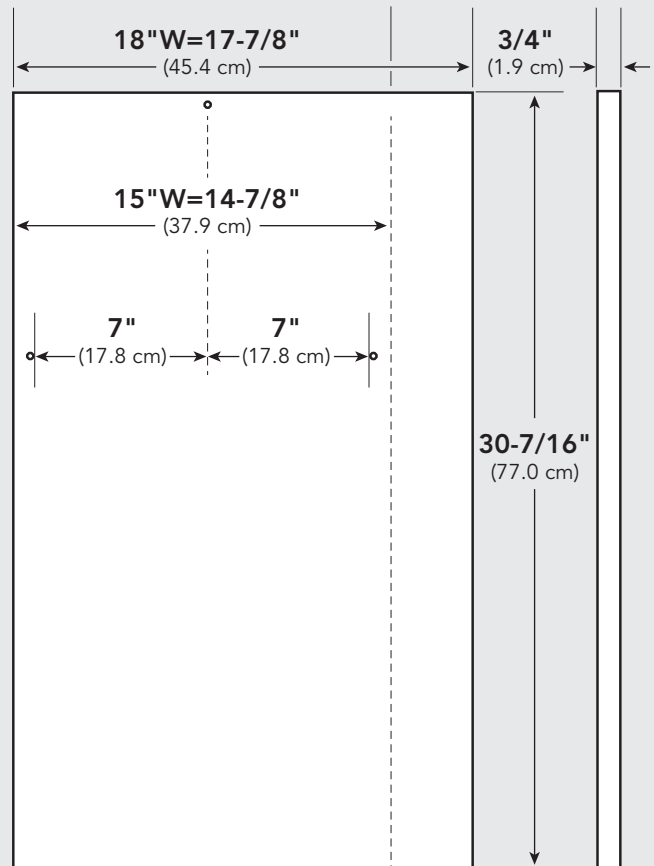
## CUSTOM DOOR PANEL

A custom panel of wood or other material not exceeding 15 lbs. can be attached to the door.

### To create and attach a custom panel:

- Panel width: 15"W. = 14-7/8" (37.9 cm); 18"W. = 17-7/8" (45.4 cm)
- Panel height: 30-5/16" (77.0 cm)
- Panel thickness: 3/4" (1.9 cm)

1. Purchase an accessory handle kit to match your cabinet hardware and install per handle instructions. Or you may purchase a Viking handle kit: For a 15"W. panel use Viking PHK14SS and for an 18"W. panel use PHK17SS. Drill pilot holes for wood screws. Use drill stop to prevent drilling through the panel.
3. Mount panel to door by using wood screws or supplied panel mounting screws.
4. Make sure the door opens and closes smoothly with the actuator entering and exiting the door interlock switch on the compactor.



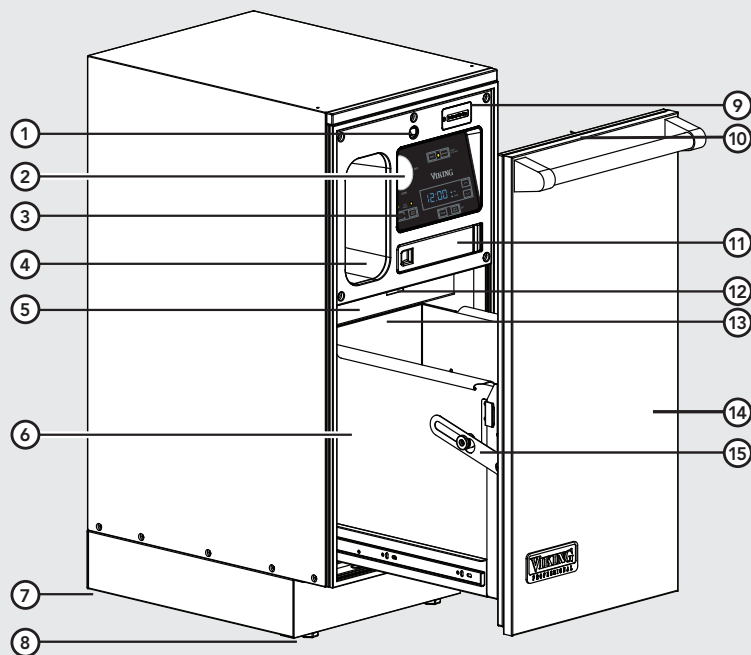
# How the Compactor Works

The Viking compactor compresses household trash up to 1/6 of its original volume. It will compact normal household trash including milk cartons, glass and plastic bottles, containers and jars, tin cans, wrappings, boxes, food wastes, etc.

When you start the compactor, an electrically powered ram moves down into the trash

bucket, compresses the trash and then returns to the UP position and shuts off automatically.

**Note:** *The ram travels about 2/3 of the way down into the trash bucket. Because of this, the trash bucket must be at least 1/3 full before you will notice any compression.*



1. Door interlock
2. Key lock
3. Electronic control panel
4. Bag storage area
5. Ram
6. Sliding trash bucket
7. Leveling rollers
8. Leveling legs

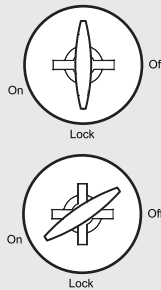
9. Battery back-up
10. Interlock actuator
11. Odor disk tray
12. Compaction plate release tab
13. Compaction plate
14. Decorative door panel with handle (order separately)
15. Door release (for trash bag removal)

# Operation

## Key Lock Switch

The key lock switch on your compactor is provided for your protection as a safety measure.

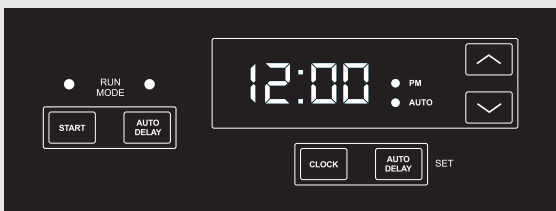
When the key lock switch is in the "OFF" and "LOCK" positions, the compactor will not operate. Remove the key to keep children from operating the unit or to prevent anyone from tampering with it.



When the key lock switch is in the "ON" position, the compactor is ready for operation. The key cannot be removed when in the "ON" position.

## Clock/Auto Delay

The compactor is equipped with a delay start /clock feature that allows you to compact and hold your trash at a time of your choice (such as every evening).



### 1. To set clock time:

Press and hold "Clock" button until display flashes. Use the "Up Arrow" and "Down Arrow" buttons to set current time.

### 2. To set Auto Delay start time:

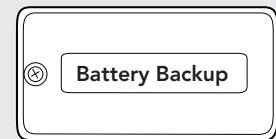
Press and hold "Auto Delay" Set button until clock display flashes. Use "Up Arrow" and "Down Arrow" buttons to set delay time. Press "Auto Delay" Set button again, until clock display shows current time.

### 3. To activate "Auto Delay" Start:

Press "Auto Delay" Start button. LED above button will light and clock display will show delay start time. Once clock reaches delay start time, ram will compact and hold trash for 2 hours, then return to previous position.

## Battery Backup

The compactor is equipped with a battery backup, to maintain clock settings in the event of a loss of power to the unit.



Remove the battery cover and install a 9-volt battery (not included).

**NOTE:** The battery backup will not provide power to operate ram.

# Operation

## Preparing Odor Control Disk

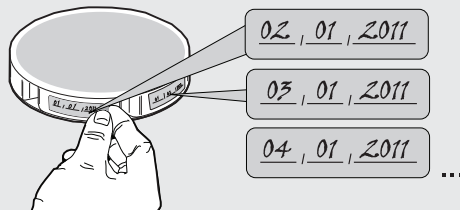
Your compactor is equipped with an odor control disk that will last up to six months when installed in the trash compactor. The odor disk comes packaged in a foil pouch and is activated once the pouch is opened. The compactor has an electronic control that automatically advances the odor disk every 30 days until six months have expired.

It is recommended you complete the following steps to determine when the disk is scheduled for replacement.

### CAUTION

The odor control disk contains material that may cause moderate eye irritation. Avoid contact with eyes. Harmful if swallowed. Wash skin or clothing thoroughly with soap and water after handling. **DO NOT** reuse empty foil pouch.

- Open the pouch and remove the odor control disk and month indicator labels. Write the "Activation Date" on top of disk in space provided.
- Starting one month from activation date, write 5 consecutive dates on the green labels, each 1 month apart. On the red label write the date that is 6 months from the activation date.
- Orient the odor control disk so the instruction label faces up. Apply the five green and one red month indicator labels to

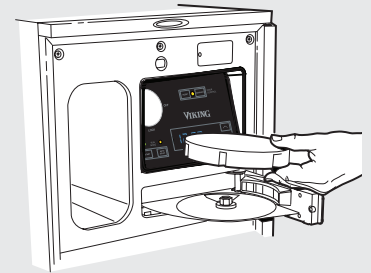


the disk as shown.

In this example, 01/01/2011 is the disk activation date and the first label is dated 02/01/2011.

## Installing Odor Control Disk

1. Swing open the odor disk tray located on the control panel. Install the disk face down on the tray so the month one label faces the tray door. Close the odor disk tray.



2. Press the odor control "Reset" button on the control panel to start the 6 month timer. The odor status LED will be GREEN.
3. The disk will automatically advance every 30 days or it can be manually advanced by pressing the odor control "Advance" button on the control panel. Once the disk advances, the next 30 day period begins.
4. At the conclusion of the 5th month the odor status LED will FLASH GREEN to signal the disk is on its last month.
5. At the conclusion of the 6th month the odor status LED will turn RED to signal the disk must be replaced.
6. Discard the used disk in the trash, insert a new disk and press "Reset". Odor disk, Model ODFCU, is available from your Viking Distributor.



# Operation

## Installing Bag

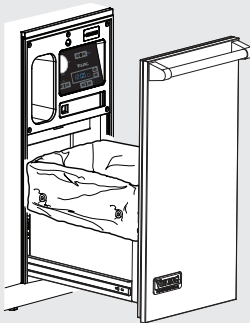
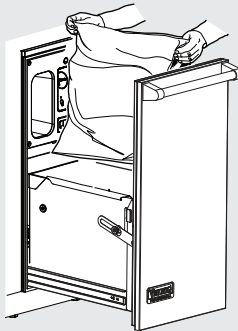
With the door open and the trash bucket extended to the furthest position, place a bag into the bucket. Fold the bag over the top rim of the bucket, on all sides.

Press the bag into all corners of the bucket and smooth the bottom.

Smooth and shape the bag carefully. This will prevent the bag from being torn by the ram during compaction.

Secure the bag in place over the two buttons on each side of the bucket. The bag has prepunched slots for this purpose.

The compactor is now ready to use.

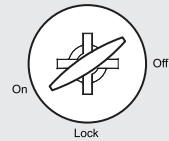


## Compacting

**FOR BEST RESULTS, ALWAYS FILL EACH NEW BAG COMPLETELY BEFORE OPERATING THE COMPACTOR. DOING SO WILL MINIMIZE BAG PULL-UP AND TEARING.**

1. Turn Key Lock Switch to "ON" position.

2. Press "Start" button and close door - ram will travel downward into trash bucket and compact trash. At bottom of ram stroke, ram automatically reverses and moves upward out of trash bucket. Total cycle time will be 45 seconds or less. At top of stroke, compactor automatically shuts itself off and is ready to receive more trash.



## Compacting Tips

- Although it is not necessary to compact until the bucket is full or nearly so, it is suggested that for maximum compaction, you start the compactor each time a significant amount of trash is added.
- At full stroke, the ram does not travel all the way to the bottom of the trash bucket. Trash in the bottom 1/3 of the bucket will be crushed during subsequent compacting.
- Glass bottles can make a loud noise when they break during compaction. This is normal. Bottles do not always break during the first cycle. Breaking glass and associated noise may occur several cycles later depending on type and volume of trash.
- Bottles and large cans compact best when laid flat near the center of the trash bucket.

# Operation

## Compacting Tips (cont.)

- Place a couple of folded sheets of newspaper, or a large paper grocery bag on top of the load to be compacted when:
  - Compacting large or several glass bottles or jars (or any items that might shatter). This will help prevent glass fragments and particles from flying out of bucket into mechanism.
  - Compacting unwrapped messy food waste. This will help keep the power ram clean.
- Compacting extreme uneven loads may cause the trash bucket to shift forward which may cause the door to open and interrupt the compaction cycle. Gently push and hold door closed to activate the ram until it returns to the up position. Open the trash bucket and reposition any objects that may be causing the uneven load. Re-activate the compaction cycle by pressing the "START" button and closing the door.
- There are certain types of trash that create exceptionally strong odors such as raw meat, fish, grapefruit rinds, personal hygiene items, and disposable diapers. You may wish to not put such items into your compactor.
- If the compactor will not be used for an extended period of time, such as during vacation, remove the bag to prevent a build-up of undesirable odors.

## ⚠ WARNING

**DO NOT** compact aerosol cans or any other containers still holding or which held toxic chemicals, insecticides, or combustible contents. Fumes may be rereleased that are hazardous to health or may result in fire or explosion.

## ⚠ WARNING

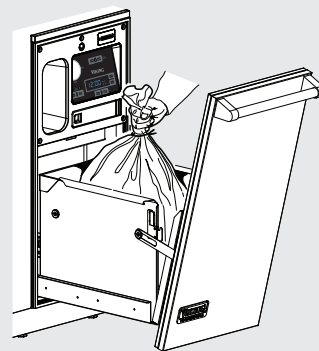
**DO NOT** put paint, oily rags, lighter fluid cans, paint thinner cans, etc., in your compactor. Doing so could result in spontaneous combustion causing a fire and/or explosion.

## ⚠ CAUTION

**NEVER** push trash into the bucket with hands or feet. Trash might contain broken glass, sharp pieces of metal, etc., which could cause injury.

## Bag Removal

1. Slide out trash bucket.
2. Unbutton bag from bucket and close by twisting bag top. Fasten with twist-tie provided.
3. Lift door up and pull forward to unlatch trash bucket.
4. Lift bag from bucket.
5. Lift door and push toward compactor. Once door is vertical, lower it into position to latch door.



# Cleaning

**EXCEPT FOR CLEANING DESCRIBED IN THE FOLLOWING SECTION, ALL SERVICE SHALL BE PERFORMED BY AN AUTHORIZED SERVICE REPRESENTATIVE.**

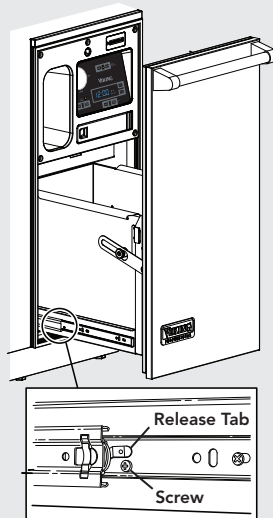
Your compactor has been designed with easy access for cleaning when required. The interior and exterior of the cabinet are finished with a durable baked-on enamel finish. **DO NOT** use harsh or gritty cleanser or scouring pads which may mar the finish of the compactor. Use a mild detergent solution on these surfaces.

## ⚠ CAUTION

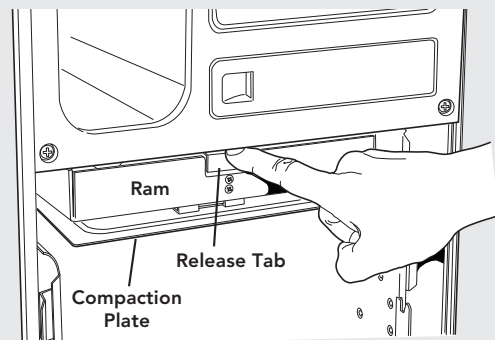
Glass fragments and other sharp trash pieces may be on or around the surfaces to be cleaned. Carefully remove these objects before wiping down any surfaces.

### Removing Trash Bucket and Cleaning Interior

1. Pull out trash bucket until it stops.
2. Remove (1) screw from each of the bucket slides.
3. Press down on left and right bucket slide release tabs while pulling the bucket out of the unit.
4. Vacuum and clean cabinet base, track channels, and bucket, particularly in corners.



5. Press the compaction plate release tab on the front of the ram to disengage the plate. The plate can be removed by pulling down and away from the ram.



6. Once removed the compactor plate can be washed in a mild detergent solution or placed in a dishwasher.
7. Re-install the compactor plate by inserting the tab (on the rear of the plate) into the slot (at in the rear of the ram). Press up on the front of the plate until it securely latches in place.
8. Wash the cabinet interior with a mild detergent solution.
9. When finished cleaning the cabinet, install the trash bucket by reversing steps 2 and 3.

# Troubleshooting

Before you call for service, check these handy hints which may save you the cost of a service call:

1. Is electric cord plugged in securely?
2. Has a house fuse blown or a circuit breaker tripped?
3. Is the door pushed firmly shut?
4. Is the key switch in the "ON" position?
5. Did you press the "START" button long enough to start the compaction cycle?
6. If trash bucket is difficult to close, check to see if any trash has fallen behind the bucket, preventing it from closing completely.
7. The motor has an automatic thermal cutout. If you have compacted repeatedly, this protector may have opened the circuit. Wait a few minutes and the cutout will reset automatically.
8. The trash bucket must be at least 1/2 full of trash before any appreciable amount of compacting will be apparent, as the ram does not travel all the way to the bottom of the bucket. Trash in the bottom 1/3 of the bucket will be crushed during subsequent compacting.
9. In the unlikely event that the interlock actuator (on the inside of the door) breaks off, the compactor will not operate. **DO NOT ATTEMPT TO OPERATE COMPACTOR IN ANY OTHER MANNER.** A replacement actuator can be ordered from your Viking Distributor.
10. To obtain service, provide the unit model number, serial number and nature of any defect in the product or part. The model number, serial number and all other data is shown on the model plate, which is located on the wall of the bag storage compartment. When requesting warranty service, evidence of the original purchase date must be presented. To obtain the name of the warranty service center serving your location, contact your Viking Distributor.

# Service & Registration

Only authorized replacement parts may be used in performing service on the appliance. Do not repair or replace any part of the appliance unless specifically recommended in the manual. All servicing should be referred to a qualified technician.

Contact Viking Range Corporation, 1-888-VIKING1 (845-4641), for the nearest service parts distributor in your area or write to:

**VIKING RANGE CORPORATION  
PREFERRED SERVICE  
1803 Hwy 82W  
Greenwood, Mississippi 38930 USA**

The serial number and model number for your compactor are located on the identification plate mounted on the bottom left side of the compactor door opening.

Record the following information indicated below. You will need it if service is ever required.

Model number \_\_\_\_\_

Serial number \_\_\_\_\_

Date of purchase \_\_\_\_\_

Date installed \_\_\_\_\_

Dealer's name \_\_\_\_\_

Address \_\_\_\_\_

**These installation instructions should remain with the unit  
for future reference.**

# Warranty

## TRASH COMPACTORS WARRANTY THREE YEAR FULL WARRANTY

Trash compactors and all of their component parts, **except as detailed below**\*†, are warranted to be free from defective materials or workmanship in normal residential use for a period of three (3) years from the date of original retail purchase or closing date for new construction, whichever period is longer. Viking Range Corporation, warrantor, agrees to repair or replace, at its option, any part which fails or is found to be defective during the warranty period.

**\*FULL NINETY (90) DAY COSMETIC WARRANTY:** Product is warranted to be free from cosmetic defects in materials or workmanship (such as scratches on stainless steel, paint/porcelain blemishes, etc.) for a period of ninety (90) days from the date of original retail purchase or closing date for new construction, whichever period is longer. Any defects must be reported to the selling dealer within ninety (90) days from date of original retail purchase. Viking Range Corporation uses high quality processes and materials available to produce all color finishes. However, slight color variation may be noticed because of the inherent differences in painted parts and porcelain parts as well as differences in kitchen lighting, product locations, and other factors. Therefore, this warranty does not apply to color variation attributable to such factors.

**†FULL NINETY (90) DAY WARRANTY IN "RESIDENTIAL PLUS" APPLICATIONS:** This full warranty applies to applications where use of the product extends beyond normal residential use, but the warranty period for products used in such applications is ninety (90) days. Examples of applications covered by this warranty are bed and breakfasts, fire stations, private clubs, churches, yachts, etc. Under this "Residential Plus" warranty, the product, its components and accessories are warranted to be free from defective material or workmanship for a period of ninety (90) days from the date of original retail purchase. This warranty excludes use of the product in all commercial locations such as restaurants, food service locations and institutional food service locations.

## TERMS AND CONDITIONS

This warranty extends to the original purchaser of the product warranted hereunder and to each transferee owner of the product during the term of the warranty and applies to products purchased and located in the United States and Canada. Products must be purchased in the country where service is requested. If the product or one of its component parts contains a defect or malfunction during the full warranty period after a reasonable number of attempts by the warrantor to remedy the defect or malfunction, the owner is entitled to either a refund or replacement of the product or its component part or parts. Replacement of a component part includes its free installation, except as specified under the limited warranty. Under the terms of this warranty, service must be performed by a factory authorized Viking Range Corporation service agent or representative. Service will be provided during normal business hours, and labor performed at overtime or premium rates shall not be covered by this warranty.

Owner shall be responsible for proper installation, providing reasonable and necessary maintenance, providing proof of purchase upon request, and making the appliance reasonably accessible for service. The return of the Owner Registration Card is not a condition of warranty coverage. You should, however, return the Owner Registration Card so that Viking Range Corporation can contact you should any question of safety arise which could affect you.

This warranty gives you specific legal rights, and you may also have other rights which may vary from jurisdiction to jurisdiction.

**WHAT IS NOT COVERED BY THIS WARRANTY:** This warranty shall not apply to damage resulting from abuse, failure to provide reasonable and necessary maintenance, accident, delivery, negligence, natural disaster, loss of electrical power to the product for any reason, alteration, outdoor use, improper installation, improper operation, or repair or service of the product by anyone other than an authorized Viking Range Corporation service agency or representative. This warranty does not apply to commercial usage.

## LIMITATION OF REMEDIES AND DURATION OF IMPLIED WARRANTY

**OWNER'S SOLE AND EXCLUSIVE REMEDY FOR A CLAIM OF ANY KIND WITH RESPECT TO THIS PRODUCT SHALL BE THE REMEDIES SET FORTH ABOVE. VIKING IS NOT RESPONSIBLE FOR CONSEQUENTIAL OR INCIDENTAL DAMAGE, INCLUDING BUT NOT LIMITED TO FOOD OR MEDICINE LOSS, DUE TO PRODUCT FAILURE, WHETHER ARISING OUT OF BREACH OF WARRANTY, BREACH OF CONTRACT OR OTHERWISE.** Some jurisdictions do not allow the exclusion or limitation of incidental or consequential damages, so the above limitation or exclusions may not apply to you. **ANY IMPLIED WARRANTIES OF MERCHANTABILITY OR FITNESS FOR A PARTICULAR PURPOSE APPLICABLE TO THIS PRODUCT ARE LIMITED IN DURATION TO THE PERIOD OF COVERAGE OF THE APPLICABLE EXPRESS WRITTEN LIMITED WARRANTIES SET FORTH ABOVE.** Some states do not allow limitations on how long an implied warranty lasts, so the above limitation may not apply to you.

## WARRANTY SERVICE

To obtain warranty service, contact an authorized Viking Range Corporation service agent, or Viking Range Corporation, 111 Front Street, Greenwood, Mississippi 38930, (888) 845-4641. Provide model and serial number and date of original purchase or closing date for a new construction. For the name of your nearest authorized Viking Range Corporation service agency, call Viking Range Corporation.

**IMPORTANT:** Retain proof of original purchase to establish warranty period.

Specifications subject to change without notice.





Viking Range Corporation

111 Front Street

Greenwood, Mississippi 38930 USA

(662) 455-1200

For product information,

call 1-888-VIKING1 (845-4641)

or visit the Viking Web site at

[vikingrange.com](http://vikingrange.com)



F20832 EN

