

## Operating and installation instructions Fridge-freezer





















To avoid the risk of accidents or damage to the appliance it is **essential** to read these instructions before it is installed and used for the first time.

# Contents

---

<b>Warning and Safety instructions</b> .....	5
<b>Caring for the environment</b> .....	14
<b>Saving energy</b> .....	15
<b>Guide to the appliance</b> .....	17
Ice cube maker with integrated ice cube tray .....	18
<b>Accessories</b> .....	20
Accessories supplied .....	20
Optional accessories .....	21
<b>Before using for the first time</b> .....	23
Before using for the first time .....	23
Water container .....	23
Connecting the appliance .....	24
<b>Switching on and off</b> .....	25
Touch display .....	25
Switching on .....	25
Start screen .....	25
Switching off the refrigeration appliance .....	26
Switching off for longer periods of time .....	28
<b>The correct temperature</b> .....	29
... in the refrigerator section .....	29
... in the freezer section .....	29
Temperature display .....	30
Setting the temperature .....	30
Temperature range .....	31
<b>Using Super cool and Super freeze</b> .....	32
Super cool function ❄ .....	32
Super freeze function ❄ .....	32
Switching a function on or off .....	33
Displaying a selected function .....	33
<b>Temperature and door alarm</b> .....	34
Temperature alarm .....	34
Door alarm .....	35
<b>Selecting further settings</b> .....	37
Settings overview .....	37

Explanation of the different Settings .....	40
Switching Party mode  on or off.....	40
Switching Holiday mode  on/off .....	41
Using the minute minder  (QuickCool timer) .....	42
Switching the ice cube maker  on and off.....	43
Activating  or deactivating  the safety lock .....	44
Switching the refrigeration appliance off  .....	44
Switching Sabbath mode  on/off .....	45
Setting the time before the door alarm  is triggered .....	46
Switching the sensor tone  on / off  .....	46
Setting the volume/Switching alarms and audible tones  on/off .....	46
Setting the display brightness  .....	47
Setting the temperature unit °C/°F .....	47
Switching Demo mode  off.....	47
Resetting to the factory default settings  .....	47
Accessing information  .....	47
Replace charcoal filter  reminder.....	48
Clean ventilation grille  reminder .....	48
<b>Storing food in the refrigerator section</b> .....	49
Different storage zones .....	49
Food which is not suitable for storage in the refrigerator section .....	50
Notes on buying food.....	51
Storing food correctly.....	51
Protein-rich food.....	51
<b>Storing food in the DailyFresh drawer</b> .....	52
<b>Adjusting the interior fittings (refrigerator section)</b> .....	54
Adjusting the door/bottle shelf .....	54
Moving the adjustable shelf/adjustable shelf with lighting.....	54
Adjusting the bottle rack .....	54
Removing the DailyFresh drawer and rollers.....	55
Moving the storage drawer (CompactCase).....	55
Moving and fitting the bottle holder .....	56
Moving the charcoal filters .....	56
<b>Freezing and storing food</b> .....	57
Maximum freezing capacity .....	57
Freezing fresh food.....	57
Storing frozen food.....	57
Home freezing .....	58
Storage time for frozen food.....	59
Defrosting frozen goods .....	59

# Contents

---

Making ice cubes .....	60
Switching the ice cube maker on and off.....	60
Adjusting the interior fittings.....	61
Using accessories .....	61
<b>Defrosting</b> .....	62
<b>Cleaning and care</b> .....	63
Cleaning agents.....	63
Cleaning the ice cube tray.....	64
Preparing the refrigeration appliance for cleaning .....	65
Cleaning the interior and accessories .....	69
Cleaning the front of the appliance and the side panels.....	70
Cleaning the ventilation grille .....	70
Cleaning the door seal .....	71
Replacing the charcoal filters.....	71
After cleaning .....	72
<b>Problem solving guide</b> .....	73
<b>Noises</b> .....	87
<b>Service</b> .....	88
Contact in the event of a fault .....	88
– Displaying licence agreements.....	88
EPREL database .....	88
Warranty .....	88
<b>Installation</b> .....	89
Installation .....	89
Side-by-side installation.....	89
Location.....	89
Ventilation.....	91
Fitting supplied wall spacers.....	91
Limiting the opening angle of the appliance door.....	92
Installing the refrigeration appliance .....	94
Aligning the appliance .....	95
Installing the refrigeration appliance in a run of kitchen units.....	95
Appliance dimensions .....	97
Changing the door hinging.....	98
Aligning the appliance doors.....	111
Electrical connection.....	112

## Warning and Safety instructions

This refrigeration appliance complies with current safety requirements. Inappropriate use can, however, lead to personal injury and material damage.

Please read the operating and installation instructions carefully before using the refrigeration appliance for the first time. They contain important information on safety, installation, use and maintenance. This is to protect yourself from injury, and from damaging your refrigeration appliance.

In accordance with standard IEC 60335-1, Miele expressly and strongly advises that you read and follow all information provided on installing the refrigeration appliance, as well as the safety notes and warnings.

Miele cannot be held liable for injury or damage caused by non-compliance with these instructions.

Keep these operating and installation instructions in a safe place and pass them on to any future owner.

### Correct application

- ▶ This refrigeration appliance is intended for use in the home and in similar environments, for example
  - in shops, offices and similar work settings
  - by the guests in hotels, motels, bed & breakfasts and other typical home settings.

This refrigeration appliance is not intended for outdoor use.

- ▶ This appliance is intended for domestic use only for cooling and storing food and drink as well as for storing deep frozen food, freezing fresh food and for making ice.

Any other usage is not supported by the manufacturer and could be dangerous.

## Warning and Safety instructions

---

▶ This refrigeration appliance is not suitable for storing and keeping cool medicines, blood plasma, laboratory preparations or similar substances or products that are subject to the Medical Device Directive. Incorrect use of the refrigeration appliance for such purposes may cause deterioration of the items stored. The refrigeration appliance is also not suitable for use in areas where there is a risk of explosion.

Miele cannot be held liable for damage caused by improper or incorrect use or operation of the appliance.

▶ The appliance can only be used by people with reduced physical, sensory or mental capabilities, or lack of experience and knowledge, if they are supervised whilst using it, or have been shown how to use it in a safe way and recognise and understand the consequences of incorrect operation.

### Safety with children

▶ Children under 8 years of age must be kept away from the refrigeration appliance unless they are constantly supervised.

▶ Children 8 years and older may only use the appliance unsupervised if they have been shown how to use it in a safe way and recognise and understand the consequences of incorrect operation.

▶ Children must not be allowed to clean or maintain the appliance unsupervised.

▶ Please supervise children in the vicinity of the appliance and do not let them play with it.

▶ Danger of suffocation! Whilst playing, children could become entangled in packaging (such as plastic wrapping) or pull it over their head and suffocate. Keep packaging material away from children.

## Technical safety

▶ The coolant circuit has been checked for leaks. The refrigeration appliance complies with statutory safety requirements and the appropriate EU directives.



▶ This refrigeration appliance contains the refrigerant isobutane (R600a), a natural gas which is environmentally friendly but flammable. The refrigerant does not damage the ozone layer and does not contribute to the greenhouse effect.

The use of this refrigerant has, however, led to a slight increase in the noise level of the appliance. In addition to the noise of the compressor, you might be able to hear the refrigerant flowing around the cooling circuit. Unfortunately, this cannot be avoided, but it does not affect the performance of the refrigeration appliance.

When transporting and installing the refrigeration appliance, ensure that no parts of the cooling circuit are damaged. Splashes of refrigerant can damage the eyes.

In the event of damage:

- Avoid naked flames or anything which creates a spark.
  - Disconnect the refrigeration appliance from the mains electricity supply.
  - Ventilate the room where the refrigeration appliance is located for several minutes.
  - Contact the Miele Customer Service Department.
- ▶ The more coolant there is in a refrigeration appliance, the larger the room it should be installed in. In the event of a leakage, if the appliance is in a small room, there is the danger of a combustible gas/air mixture building up. For every 11 g of coolant at least 1 m<sup>3</sup> of room space is required. The amount of coolant in the refrigeration appliance is stated on the data plate inside the appliance.

## Warning and Safety instructions

---

- ▶ To avoid the risk of damage to the appliance, make sure that the connection data (fuse rating, frequency and voltage) on the data plate corresponds to the household supply. Check that this is the case before connecting the appliance. Consult a qualified electrician if in any doubt.
- ▶ The electrical safety of this appliance can only be guaranteed when correctly earthed. It is essential that this standard safety requirement is met. If in any doubt please have the electrical installation tested by a qualified electrician.
- ▶ Reliable and safe operation of this appliance can only be assured if it has been connected to the mains electricity supply.
- ▶ If the electrical connection cable is faulty it must only be replaced by a Miele authorised service technician to protect the user from danger.
- ▶ Do not connect the appliance to the mains electrical supply by a multi-socket adapter or extension lead. These are a fire hazard and do not guarantee the required safety of the appliance.
- ▶ If moisture gets into electrical components or into the mains connection cable, it could cause a short circuit. Therefore, do not operate this refrigeration appliance in areas which are exposed to moisture (e.g in a garage or utility room).
- ▶ This appliance must not be used in a non-stationary location (e.g. on a ship).
- ▶ Do not use a damaged appliance. It could be dangerous. Check the appliance for visible signs of damage.
- ▶ The appliance must be isolated from the electricity supply during installation, maintenance and repair work.
- ▶ Unauthorised installation, maintenance and repairs can cause considerable danger for the user. Installation, maintenance and repairs must only be carried out by a Miele authorised technician.

## Warning and Safety instructions

---

- ▶ While the appliance is under warranty, repairs should only be undertaken by a Miele authorised service technician. Otherwise the warranty is invalidated.
- ▶ Please note the following advice for ice cube production:
  - Only use cold, fresh tap water to fill the water container. Hot water and other liquids could damage the water container or the ice cube maker.
  - Change the water in the water container regularly (if not used for more than 24 h) and always empty and refill it before switching on the ice cube maker to ensure that the ice cubes are made with fresh water. This will prevent bacteria from building up.
  - Do not use water from a reverse osmosis unit in this appliance. This could damage the refrigeration appliance.
- ▶ Faulty components must only be replaced with genuine Miele original spare parts. Miele can only guarantee the safety standards of the appliance when Miele replacement parts are used.
- ▶ This refrigeration appliance is supplied with a special lamp to cope with particular conditions (e.g. temperature, moisture, chemical resistance, abrasion resistance and vibration). This lamp must only be used for the purpose for which it is intended. The lamp is not suitable for room lighting. Replacement lamps may only be fitted by a Miele authorised technician or by the Miele Customer Service Department. This refrigeration appliance contains several light sources with at least energy efficiency class G.

# Warning and Safety instructions

---

## Correct use

- ▶ This refrigeration appliance is designed for use within specific ambient temperatures (climate range). Do not use in ambient temperatures for which it is not designed. The climate range is stated on the data plate in the interior cabinet of the refrigeration appliance. A lower ambient temperature will cause the compressor to switch off for longer periods, meaning that the refrigeration appliance is unable to maintain the required temperature.
- ▶ Do not cover or block the air vents as this could impair the efficiency of the appliance, increase the electricity consumption and could cause damage to the components.
- ▶ If storing food which contains a lot of fat or oil in the appliance or the door, make sure that it does not come into contact with plastic components as this could cause stress cracks or break the plastic.
- ▶ Risk of fire and explosion. Do not store explosive materials in the refrigeration appliance or any products containing propellants (e.g. spray cans). Electrical components can cause flammable mixes of gases to ignite.
- ▶ Danger of explosion. Do not operate any electrical equipment (e.g. an electric ice-cream maker) inside the refrigeration appliance. Danger of sparking and explosion.
- ▶ Danger of injury and damage to the appliance. Do not store cans or bottles containing carbonated drinks or liquids which could freeze in the freezer zone. Otherwise they could burst.
- ▶ Danger of injury and damage to the appliance. When cooling drinks quickly in the freezer zone, make sure bottles are not left in for more than one hour. Otherwise they could burst.
- ▶ Danger of injury. Never handle frozen food or the metal parts of the appliance with wet hands. Your hands may freeze to the frozen food or to the metal.

## Warning and Safety instructions

---

- ▶ Danger of injury. Do not take ice cubes out with your bare hands and never place ice cubes or ice lollies in your mouth straight from the freezer zone. The very low temperature of the frozen food can cause frost burn to the lips and tongue.
- ▶ Do not refreeze partially or fully defrosted food. Consume defrosted food as soon as possible, as it will lose its nutritional value and spoil if left for too long. Defrosted food may only be re-frozen after it has been cooked.
- ▶ Observe the manufacturer's "use-by" dates and storage instructions given on food to avoid the risk of food poisoning. Storage times will depend on several factors, including the freshness and quality of the food, as well as the temperature at which it is stored.

### **Stainless steel appliances**

- ▶ Adhesives will damage the stainless steel surface and cause it to lose its dirt-repellent protective coating. Do not use sticky notes, transparent adhesive tape, masking tape or other types of adhesive on the stainless steel surface.
- ▶ The surface is susceptible to scratching. Even magnets can cause scratching.

### **Accessories and spare parts**

- ▶ Only use genuine original Miele accessories and spare parts with this appliance. Using accessories or spare parts from other manufacturers will invalidate the warranty, and Miele cannot accept liability.
- ▶ Miele will guarantee to supply functional spare parts for a minimum of 10 years and up to 15 years following the discontinuation of your refrigeration appliance.

# Warning and Safety instructions

---

## Cleaning and care

- ▶ Do not use any oils or grease on the door seals, as these will cause the seals to deteriorate and become porous with time.
- ▶ Do not use a steam cleaning appliance to clean or defrost this appliance.  
Steam could reach electrical components and cause a short circuit.
- ▶ Sharp edged or pointed objects will damage the evaporator, causing irreversible damage to the appliance. Do not use sharp edged or pointed objects to
  - remove frost and ice,
  - separate frozen food or remove ice trays.
- ▶ Do not place electric heaters or candles in the appliance to defrost it. These can damage the plastic parts.
- ▶ Do not use defrosting sprays or de-icers, as they could contain substances which could damage the plastic parts or which might cause the build-up of gases and pose a danger to health.

## Transport

- ▶ Always transport the appliance in an upright position and in its original transport packaging to avoid damage in transit.
- ▶ Danger of injury and damage to the appliance. The refrigeration appliance is very heavy and must be transported by two people.

### Disposal of your old appliance

- ▶ If your old refrigeration appliance has a door lock, destroy it. This will prevent the risk of children playing accidentally locking themselves in and endangering their lives.
- ▶ Splashes of coolant can damage the eyes. Be careful not to damage any part of the pipework whilst awaiting disposal, e.g. by
  - puncturing the coolant channels in the condenser,
  - bending any pipework, or
  - scratching the surface coating.

# Caring for the environment

---

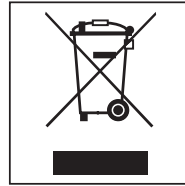
## Disposal of the packing material

The packaging is designed to protect the appliance from damage during transportation. The packaging materials used are selected from materials which are environmentally friendly for disposal and should be recycled.

Recycling the packaging reduces the use of raw materials in the manufacturing process and also reduces the amount of waste in landfill sites.

## Disposing of your old appliance

Electronic and electrical appliances contain many valuable materials. They also contain certain materials, compounds and components which were essential for their correct functioning and safety. These could be hazardous to your health and to the environment if disposed of with general waste or if handled incorrectly. Please do not, therefore, dispose of your old appliance with general waste.



Instead, please make use of officially designated collection and disposal points to dispose of and recycle electrical and electronic appliances in your local community, with your dealer or with Miele. By law, you are solely responsible for deleting any personal data from the appliance prior to disposal.

Take care not to damage your refrigeration appliance's pipework before or during transportation to an authorised collection depot.

This is to ensure that coolant in the cooling circuit and oil in the compressor is contained, and will not leak into the environment.

Please ensure that your old appliance poses no risk to children while being stored prior to disposal. For further information, see "Warning and Safety instructions" in these operating and installation instructions.

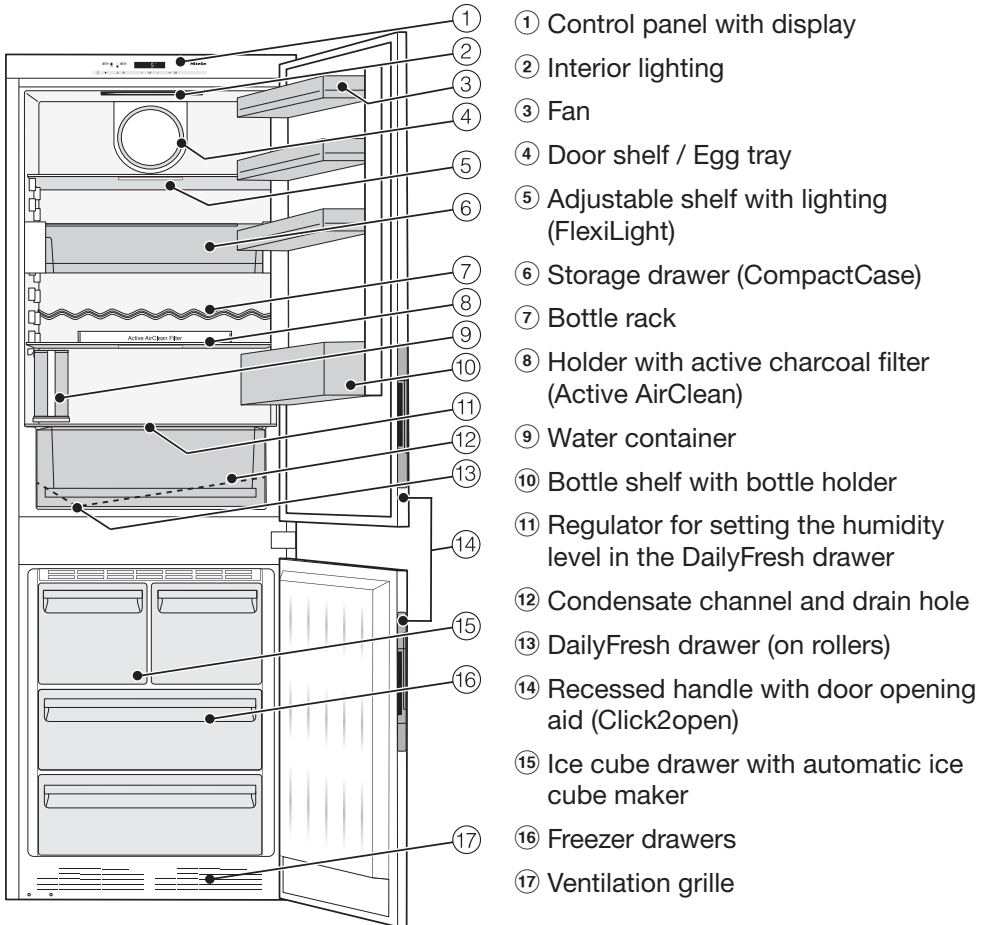
## Saving energy

	<b>Normal energy consumption</b>	<b>Increased energy consumption</b>
<b>Installation / Maintenance</b>	In a ventilated room.	In an enclosed, unventilated room.
	Protected from direct sunlight.	In direct sunlight.
	Not near to a heat source (radiator, oven).	Near to a heat source (radiator, oven).
	Where the ideal ambient room temperature is approx. 20 °C.	Where the ambient room temperature is above 25 °C.
	Ventilation gaps uncovered and dusted regularly.	Ventilation gaps covered or dusty.
<b>Temperature setting</b>	Refrigerator section 4 to 5 °C	The lower the temperature, the higher the energy consumption.
	PerfectFresh Pro zone just above 0 °C	
	Freezer section -18 °C	

# Saving energy

	<b>Normal energy consumption</b>	<b>Increased energy consumption</b>
<b>Use</b>	Drawers and shelves arranged as they were when the appliance was delivered.	
	Only open the door when necessary and for as short a time as possible. Store food in an organised way.	Frequent opening of doors for long periods will cause a loss of coldness. The appliance will try to cool down and the compressor will run for longer periods.
	Take an insulated cool bag when shopping, and load food in the appliance as soon as possible. Replace any food removed as quickly as possible, before it warms up too much. Allow hot food and drinks to cool down before placing them in the appliance.	Hot food or food at room temperature raises the temperature inside the appliance. The appliance will try to cool down and the compressor will run for longer periods.
	Store food well packaged or covered.	The evaporation or condensation of liquids in the refrigerator section will cause a loss of coldness.
	Place frozen food in the refrigerator to defrost.	
	Do not over-fill the appliance to allow air to circulate.	Poor air circulation will cause a loss of coldness.

# Guide to the appliance



This drawing is for illustration purposes only.

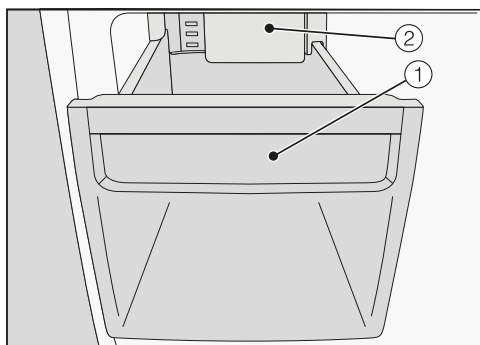
For easier installation there are transport handles on the back at the top and transport wheels underneath the appliance.

## Guide to the appliance

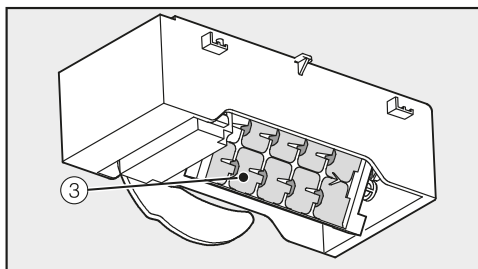
### Ice cube maker with integrated ice cube tray

The automatic ice cube maker is supplied with water from the water container (see chapter “Before using for the first time”, section “Water container”).

The ice cube maker can be turned off independently of the refrigeration appliance if you do not want to make any ice cubes.




The automatic ice cube maker (2) is located in the ice cube drawer (1).





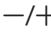



An ice cube tray (3), in which the ice cubes are produced, is integrated in the ice cube maker (2). This ice cube tray cannot be removed.

The ice cube tray automatically empties into the drawer as soon as ice cubes are produced.






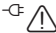
The ice cube maker is switched on via Settings mode '≡' (see “Selecting further settings”, section “Switching the ice cube maker  on and off”).

## Symbols on the display

### Controls

Symbol		Meaning
	Standby	For switching on the whole refrigeration appliance, for switching on the refrigerator section separately
	Settings mode	For selecting settings (see “Selecting further settings”)
	Minus/plus	For altering a setting (e.g. temperature)
		For confirming a setting
	Left/right navigation arrow	For scrolling in Settings mode to select a setting
	Back	For exiting a menu

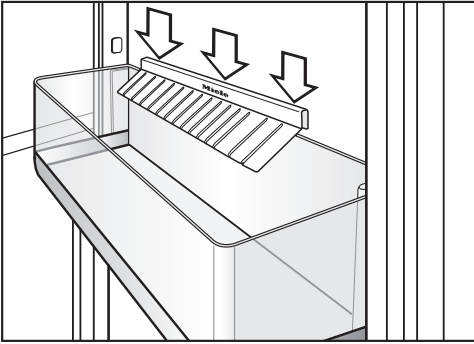
### Information

Symbol		Meaning
	Standby	The appliance is connected to the electrical supply but is not switched on. The refrigerator section is switched off separately.
	Freezer section	Identifies the freezer section temperature display.
	Super cool (refrigerator section) / Super freeze (freezer section)	Function can be selected depending on section (see “Using Super cool and Super freeze”).
	Temperature alarm	Warning (see “Problem solving guide - Display warnings”).
	Door alarm	Warning (see “Problem solving guide - Display warnings”).
	Power failure	Warning (see “Problem solving guide - Display warnings”).

# Accessories

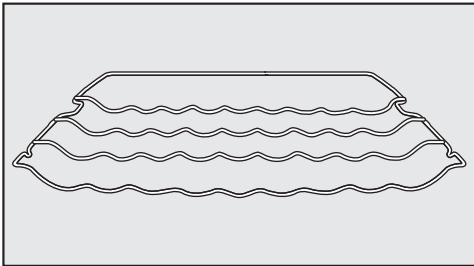
## Accessories supplied

### Bottle holder



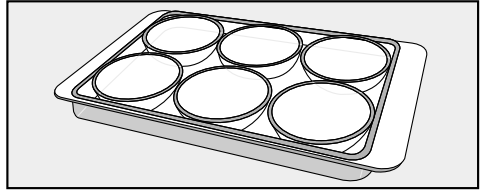
The flexible ribs grip the bottles securely when the door is opened and closed.

### Bottle rack

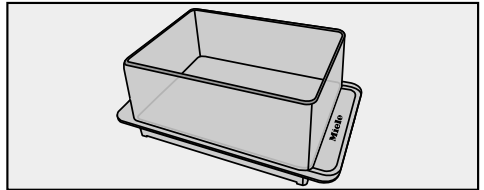


Bottles can be stored horizontally using the bottle rack to save space. The bottle rack can be placed at different positions in the appliance.

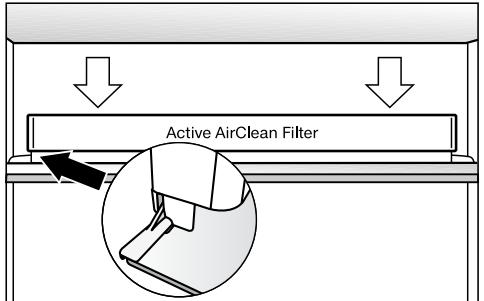
### Egg tray



### Butter dish

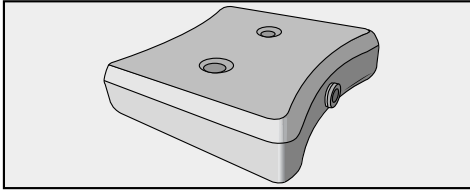


### KKF-FF Active AirClean charcoal filters with holder



The charcoal filters neutralise unpleasant odours in the refrigerator section for improved air quality.

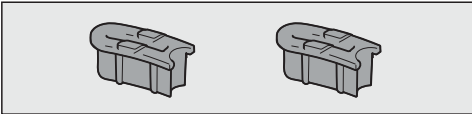
## Cool pack



The cool pack prevents the temperature in the freezer section from rising too quickly in the event of a power cut. This can help prolong the storage life.

The cool pack will be at its most effective after it has been in the freezer for approx. 24 hours.

## Door opening angle limiter



The door hinges are set ex works to enable the door to be opened up to 115°. If the appliance door hits an adjacent wall when opened, for example, the opening angle can be limited to approx. 90°.

## Optional accessories

A range of useful Miele accessories and care products are available for your appliance.

Accessories are available to order via the Miele Webshop, from Miele directly (see back cover for contact details) or from your Miele dealer.

## Bottle rack

The appliance is supplied with a bottle rack for the refrigerator section. Additional bottle racks can be fitted if required.

## KKF-FF Active AirClean charcoal filters with holder

The appliance is supplied with a charcoal filter holder. Additional holders can be fitted in the refrigerator section, if required.

## KKF-RF replacement filters (Active AirClean)

Replacement filters to fit the holder are available. We recommend replacing the charcoal filters every 6 months.

## Multi-purpose microfibre cloth

The microfibre cloth is suitable for removing fingerprints and light soiling from surfaces such as stainless steel, glass, plastic and chrome without the use of chemicals.

# Accessories

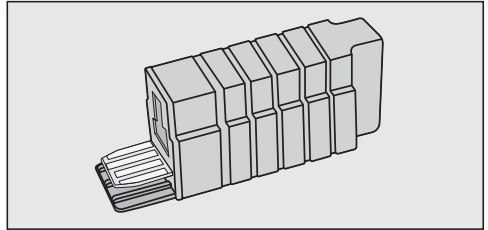
---

## MicroCloth Kit

The MicroCloth Kit contains a universal cloth, a glass cloth and a polishing cloth.

These cloths are extremely resistant to tearing and very robust. Thanks to very fine microfibres these cloths achieve an excellent cleaning performance.

## XKS 3100 W WiFi stick (Miele@home)



The WiFi stick enables your refrigeration appliance to communicate, so that you can access appliance data at any time with a smartphone or tablet (iOS® or Android™ operating systems).

To use the Miele@mobile app or Miele@home features, such as the option to switch on SuperCool/SuperFreeze, you must insert the WiFi stick into your Miele refrigeration appliance and connect it to your WiFi network.

Fitting and installation instructions for the stick are supplied with it and describe how to install the WiFi stick and connect to a WiFi network.

# Before using for the first time

## Before using for the first time

### Packaging material

- Remove all packaging material from the inside of the appliance.

### Protective foil

The stainless steel trim to the interior shelves and the door shelves has a layer of protective foil to prevent damage during transportation. The appliance doors, and side panels where applicable, have a protective foil.

- Do not remove the foil until the appliance has been positioned in its final location.

### Cleaning and care

Please refer to the relevant instructions in "Cleaning and care".


- Clean the inside of the appliance and the accessories.

Throw away the first 3 batches of ice cubes made after the ice cube maker is started up, as the water will have been used for the initial rinsing of the water supply line.

- Clean the ice cube maker.

### Water container


The water quality must conform to the requirements for drinking water in the country in which the refrigeration appliance is being installed (e.g. 98/83/EU).

 Risk of damage due to incorrect operation.

Liquids containing sugar, such as soft drinks, fruit juice and syrup or concentrate diluted with water, can damage the pump and the ice cube maker.

Hot or boiling water can damage the water container.

Only use cold, fresh tap water to fill the water container.

 Risk to health due to contaminated water.

Bacteria can develop in water which has been sitting in the water container or the water supply lines for several days. This poses a risk to your health.

Change the water in the water container **every day**.

You should also always empty and refill it before switching on the ice cube maker to ensure that the ice cubes are made with fresh water.

Clean the water container if it is not used for more than 24 h and dry it carefully.

Throw away the first 3 batches of ice cubes made after the ice cube maker is started up, as the water will have been used for the initial rinsing of the water supply line.

This applies to the initial commissioning as well as when using the appliance again after it has been turned off for a long time.

The ice cube maker in the freezer section is supplied with water from the water container in the refrigerator section.

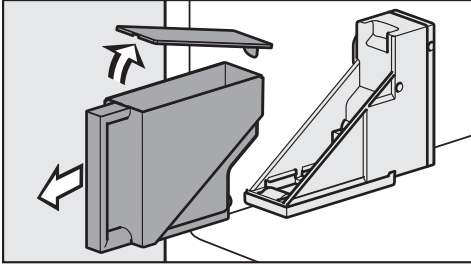
## Before using for the first time

---

However, you can also use the cooled water in the water container at any time.

The water container holds approx. 1 litre of water.

- Switch the appliance on.



- Pull the water container forwards to remove it.
- Clean it thoroughly with water to remove any dust etc.
- Fill the container up to the marker with fresh, cold drinking water.
- Place the filled water container back into its holder and push it all the way in.  
Make sure that the water container has locked into position and is sitting correctly in its niche.

## Connecting the appliance

- Connect the appliance to the electricity supply as described in “Electrical connection”.



Standby

⏻ will appear in the display.

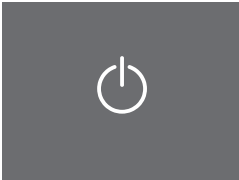
## Touch display

Using pointed or sharp objects on the touch display can damage it. Only touch the display with your fingers.

If your fingers are cold, the touch display may not react.

## Switching on

To enable the temperature to get sufficiently cold inside the appliance, allow the appliance to run for approx. 2 hours before placing food in it. Do not place food in the freezer section until the temperature is at least  $-18\text{ }^{\circ}\text{C}$ .




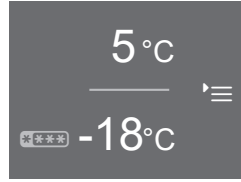
Standby

■ Touch  briefly.

The welcome message

Miele - Willkommen will appear in the display for approx. 3 seconds.

If this does not happen and  appears in the display, the safety lock is still activated (see “Selecting further settings - Activating or deactivating the safety lock - Deactivating the safety lock temporarily”).



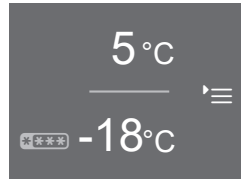
Start screen

The display changes to the start screen.

The interior lighting will come on and become brighter until the maximum brightness is reached. The appliance is switched on and begins to cool down to the following pre-set temperatures:

- Temperature in the refrigerator section =  $5\text{ }^{\circ}\text{C}$
- Temperature in the freezer section =  $-18\text{ }^{\circ}\text{C}$

## Start screen



The start screen is the screen from which all settings can be selected.

## Switching on and off

The display is divided into several fields for this purpose:

### The temperature display for the refrigerator section is in the upper field.

Touch the temperature display to access the refrigerator section display. Here you can set or change the temperature (see “The correct temperature” - “Setting the temperature”) as well as select the Super cool ❄️ function (see “Using Super cool and Super freeze”).

### The temperature display for the freezer section is in the lower field.

This is also identified by ❄️❄️❄️.

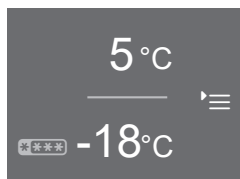
Touch the temperature display to access the freezer section display. Here you can set or change the temperature as well as select the Super freeze ❄️ function (see “Using Super cool and Super freeze”).

### Settings mode '≡' is on the right-hand side.

Touch the '≡' symbol to access Settings mode. Here further settings can be selected (see “Selecting further settings”).

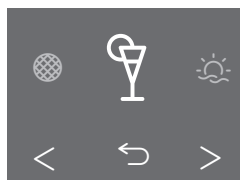
## Switching off the refrigeration appliance

You can switch the appliance off in Settings mode (see “Selecting further settings”).



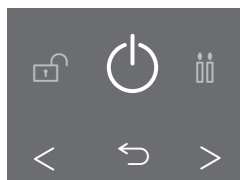
Start screen

- Touch '≡'.



Settings mode

- Use the < or > arrow buttons until ⏻ is displayed.



Switching off the refrigeration appliance

- Touch ⏻.

The temperature display goes out and ⏻ lights up.


The interior lighting of the refrigerator section will go out and cooling will be switched off.



⏻ will go out after approx. 10 minutes. The display goes dark and switches to energy-saving mode.

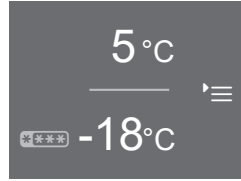
## Switching off the refrigerator section separately

The refrigerator section can be switched off without having to switch off the freezer section.

As the refrigerator section is not being cooled, the water in the water container will go stale. Switch off the ice cube maker and drain the water container.

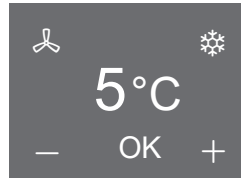
**Tip:** We recommend using the Holiday mode function if you are away on holiday (see “Selecting further settings” – “Switching Holiday mode  on/off”), so that the appliance operates at lower power rather than being switched off completely.

If the Party mode  or Super cool  functions have been previously selected, these will be switched off automatically.





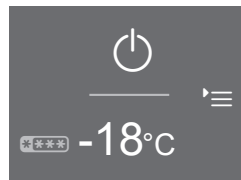
Standby

- Touch the temperature display in the field for the refrigerator section.




Refrigerator section display

- Touch – or + until  is displayed.
- Touch .
- Touch OK to confirm your entry.



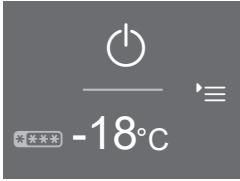
Start screen – refrigerator section switched off

The temperature display for the refrigerator section goes out and  lights up.


The refrigerator section is switched off. The temperature in the freezer section will still be shown in the display. The refrigerator section interior lighting will go out.

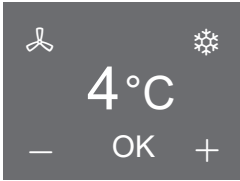
# Switching on and off

## Switching the refrigerator section on separately (if previously switched off)



Start screen - refrigerator section switched off

- Touch  in the field for the refrigerator section.



Refrigerator section display

- Touch — or + until 4 °C is displayed.
- Touch OK to confirm your entry.

The refrigerator section will be switched on and the interior lighting will come on. It will start to cool and gradually reach the set temperature.

## Switching off for longer periods of time

If, during a long absence, the refrigeration appliance is switched off but not cleaned and the door(s) left shut, there is a risk of mould forming inside the appliance.

It is essential to clean the refrigeration appliance.

If the refrigeration appliance is not going to be used for a longer period of time, observe the following:

- Switch the refrigeration appliance off.
- Switch the appliance off at the wall socket and pull the plug out of the socket, or disconnect the fuse.
- Empty the ice cube drawer.
- Take the water container out of the appliance, empty it, then clean and dry it.
- Clean the refrigeration appliance and leave the door ajar to air the appliance and avoid odours building up inside.

It is also advisable to carry out the last two instructions if you are switching the refrigerator section off for a longer period of time.

## The correct temperature

---

It is very important to set the correct temperature for storing food in the appliance. Bacteria will cause food which is not stored at the correct temperature to deteriorate rapidly. Temperature influences the growth rate of these bacteria. Reducing the temperature reduces their growth rate.

The temperature in the refrigeration appliance will rise:

- The more often the appliance door is opened and the longer it is kept open
- The more food that is stored in it
- The warmer the food is which is being put into it
- The higher the ambient temperature surrounding the refrigeration appliance. This refrigeration appliance is designed for use within specific ambient temperatures (climate range). Do not use in ambient temperatures for which it is not designed.

### ... in the refrigerator section

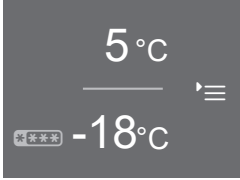
We recommend a temperature of **4 °C** in the refrigerator section.

### ... in the freezer section

To freeze fresh food and to store frozen food for long periods, a temperature of **-18 °C** is required. At this temperature the growth of bacteria is generally halted. As soon as the temperature rises above -10 °C, the bacteria become active in the food again so it cannot be kept as long. For this reason, partially defrosted or defrosted food must not be re-frozen. Food may be re-frozen once it has been cooked, as the high temperatures achieved when cooking destroy most bacteria.

# The correct temperature

## Temperature display



Start screen

In normal operation the upper temperature display shows the **average, current temperature in the refrigerator section** and the lower temperature display **the lowest temperature in the freezer section.**

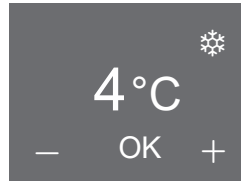
Depending on the ambient temperature and the temperature setting, it can take the appliance a few hours to reach the temperature required and for this temperature to then be shown as a constant temperature in the display.

## Setting the temperature

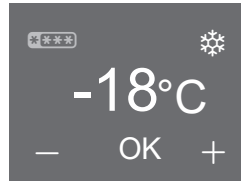
The temperatures for the refrigerator and freezer sections can be set independently of one another.

- Touch the temperature display for the section you want to change.

The previously set temperature will appear.



Refrigerator section display



Freezer section display

- Use — and + to set the temperature higher or lower.

## The correct temperature

---

- Touch **OK** immediately after setting the temperature to confirm your entry.
- Or wait approx. 8 seconds after the sensors were last touched. The temperature will then be adopted automatically.

**Tip:** The newly set temperature can also be confirmed and adopted by closing the appliance door.

The temperature display will then change to the current temperature in the appliance.

### Temperature range

- The temperature in the refrigerator section can be adjusted from 1 to 9 °C.
- The temperature in the freezer section can be adjusted from -16 °C to -26 °C.

**Tip:** If you have adjusted the temperature, **wait for approx. 6 hours if the appliance is not very full and for approx. 24 hours if the appliance is full** before checking the temperature display, as it will take this long for the appliance to give an accurate reading.

- If, after this time, the temperature is still too high or too low, you will need to adjust it again.

# Using Super cool and Super freeze

---

The following functions can be selected, depending on section.

- **Refrigerator section**

Super cool ❄️

- **Freezer section**

Super freeze ❄️

## Super cool function ❄️

The Super cool function can be used to rapidly reduce the temperature in the refrigerator section to its lowest setting (depending on the room temperature).

**Tip:** Super cool is particularly recommended for the rapid chilling of large amounts of fresh food or drink.

When Super cool is switched on, the appliance will work at full power to lower the temperature in the appliance.

It switches itself off automatically after approx. 12 hours.

**Tip:** To save energy, you can switch the Super cool function off yourself once food and drinks are sufficiently chilled.

After switching Super cool off the appliance reverts to working at normal power.

## Super freeze function ❄️

For optimum results switch on the Super freeze function before putting fresh food into the freezer section. This helps food to freeze quickly and retain its nutrients, vitamins, flavours and appearance.

### Exceptions:

- When placing food in the freezer that is already frozen
- When freezing up to 1 kg of fresh food daily

The SuperFreeze function should be switched on **6 hours before placing food in the freezer section.**

When freezing the **maximum amount of food** the SuperFreeze function should be switched on **24 hours beforehand.**

When SuperFreeze is switched on, the appliance will work at full power to lower the temperature in the freezer.

The SuperFreeze function will switch itself off automatically after approx. 65 hours. The quantity of fresh food placed in the freezer will determine the time before the SuperFreeze function turns off.

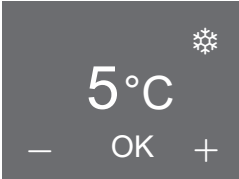
**Tip:** To save energy, you can manually switch off SuperFreeze once the freezer reaches a **constant** temperature of -18 °C or colder. Monitor the temperature in the freezer section.

When SuperFreeze is switched off, the appliance will run at normal power again.

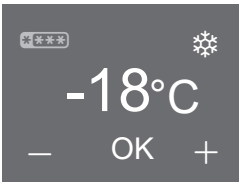
# Using Super cool and Super freeze

## Switching a function on or off

- Touch the temperature display for the section you want.



Refrigerator section display – SuperCool



Freezer section display – SuperFreeze

The current temperature and ❄ appear in the display.

- Touch ❄.
- If the symbol is lit up orange, the function is selected.
- If the symbol is white, the function is deselected.
- Touch OK to confirm your entry.
- Or wait approximately 8 seconds after the last touch of a button. The setting will then be automatically adopted.

The SuperCool or SuperFreeze function is switched on or off.

Functions that are switched on are **not** displayed on the start screen.

After an interruption to the power supply any function that was previously switched on will be switched off.

## Displaying a selected function

- Touch the temperature display for the relevant section.


The current temperature appears on the display. The symbol for the selected function lights up orange.

# Temperature and door alarm

---


The appliance has a warning system which ensures that the temperature in the freezer cannot rise unnoticed and to avoid energy being wasted if a door is left open.

## Temperature alarm

 Health risk caused by decomposing food.

If the temperature in the freezer section remains above  $-18\text{ }^{\circ}\text{C}$  for a long time, the frozen goods can start to defrost. This will reduce the storage life of the food.

Check whether the frozen goods have started to defrost. If they have, check that the food is safe to use and if it is, then use it as soon as possible or cook it before freezing it again.

If the temperature in the freezer section becomes too warm,  will light up red in the freezer section temperature display.

An alarm will also sound until the cause of the alarm is rectified or the alarm is switched off.


The temperature the appliance is set at determines the temperature the appliance recognises as being too warm.

The temperature alarm is only displayed on the start screen and not when selecting a setting.

A temperature alarm is displayed before an existing door alarm.

The audible and visual signals will be activated if:

- You switch on the refrigeration appliance and the temperature in a temperature zone differs greatly from the set temperature.
- A lot of warm room air enters the freezer when you are rearranging or taking out frozen goods.
- You are freezing large amounts of food at once.
- You are freezing warm food.
- There was a mains outage.
- The refrigeration appliance has a fault.

The alarm will stop and  will go out as soon as the temperature has dropped down to the correct level again.

## Switching the temperature alarm off early and checking the warmest temperature

If the alarm disturbs you, you can switch it off early. You can also find out what the warmest temperature was in the freezer section.

- Touch  .

The fault message is confirmed and the alarm will stop. The start screen appears in the display: the warmest temperature recorded in the freezer section so far will flash in the temperature display for approx. 1 minute. The temperature display will then change to show the current temperature in the freezer section.



You can exit from the flashing temperature display early:

- Touch the temperature display for the freezer section.



The flashing warmest temperature display will go out. The display will then revert to showing the current temperature in the freezer section.

## Door alarm

The appliance has a warning system to prevent energy being wasted and food becoming warm if the doors are left open.

If an appliance door is left open for a longer period of time,   will light up yellow on the relevant temperature display. An alarm tone will also sound.

The amount of time until the door alarm is triggered depends on the setting selected (factory default setting = 1 minute) and can be changed (see “Selecting further settings – Changing the time until the door alarm is triggered”). However, the door alarm can also be turned off (see “Selecting further settings – Setting the volume/ Switching alarms and audible tones on/off”).

The alarm will stop and   will go out on the display as soon as the door is closed.

# Temperature and door alarm

---

The door alarm is only displayed on the start screen.

The door alarm is automatically suppressed when you are in Settings mode. No symbol will be displayed and no alarm will sound.

If an audible tone does not sound in the event of a door alarm, the alarm has been switched off in Settings mode (see “Selecting further settings – Setting the volume/Switching alarms and audible tones on/off”).

## Switching the door alarm off early








If the noise disturbs you, you can switch the alarm off if you wish.

■ Touch .


The current temperature is shown in the display. The alarm will stop.



## Selecting further settings

	Demo mode (only visible when switched on)	<b>Off</b>
	Reset default settings	
	Access information about your refrigeration appliance	Display (important when reporting a fault to Miele Service)
	Replace charcoal filter reminder	On (orange symbol)/ <b>off</b>
	Clean ventilation grille reminder	On (orange symbol)/ <b>off</b>
	Cleaning (only appears when the ice maker is switched on)	On (symbol orange) / <b>Off</b>

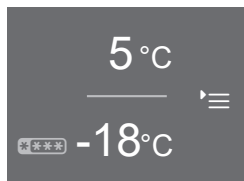
### Selecting further settings

In Settings mode , certain settings can be adjusted and functions selected, allowing you to adjust the refrigeration appliance to suit your requirements.

See the following pages for more information on these settings.

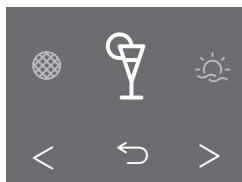
The door alarm and other warnings are automatically suppressed when you are in Settings mode. No symbol will be displayed and no alarm will sound. Exception: If there is an appliance fault (F+numbers), Settings mode will be exited automatically. The fault code will be shown on the display and an alarm will sound (see “Problem solving guide – Display messages”).

### Selecting the setting you want



Start screen

- Touch .



Settings mode

- Scroll left or right using the < or > arrow buttons.

The symbol for the selectable setting appears in the middle of the display.

The symbols for the next available settings appear in the background to the right and left, but are not selectable.

- Touch the symbol for the setting you want (see “Settings overview”).

Depending on the setting selected, there are two options:

1. You go into a sub-menu with further options or where values can be entered.
2. You select the setting directly. The symbol turns orange and this confirms your selection. If the symbol is white, the function has not been activated.

# Selecting further settings

---

## Entering values

All values entered must be confirmed with **OK**. If the value is not confirmed the display will revert to the start screen after approx. 15 seconds and the set or altered values will not be adopted.

## Exiting a menu (“Back” ↵)

You can return to the previous screen by touching ↵.

Entries made before this which have not been confirmed with **OK** will not be saved.

## Explanation of the different Settings

### Switching Party mode 🍷 on or off

This function is particularly useful if you need to cool or freeze large quantities of food and drink quickly and make ice cubes, for example, if you are expecting a large number of guests.

Super cool and Super freeze are switched on automatically:

The refrigerator section as well as the freezer section cool down very rapidly to their lowest temperature (depending on the ambient temperature).

**Tip:** Switch the function on approx. 4 hours before placing food in the appliance.

If Party mode cannot be switched on, the refrigerator section has been switched off separately or Holiday mode is switched on.

Party mode will switch off automatically after approx. 20 hours. You can switch it off earlier at any time.

If previously switched on, Party mode will switch off if there is an interruption to the power supply.

## Selecting further settings

### Switching Holiday mode on/off

This function is useful when you go on holiday if you do not wish to switch the refrigerator section off completely and do not need a high degree of cooling.

The refrigerator section is regulated at a temperature of 15 °C, remaining in operation whilst also saving energy.

As a result of the higher temperature during Holiday mode, the storage life of the food is reduced.

Do not store any temperature-sensitive food which goes off easily such as fruit, vegetables, fish, meat and dairy products during this time.

Empty the water container and switch the ice cube maker off.

Food which does not go off quickly can be stored in the appliance for some time at this moderate refrigerator section temperature and energy consumption is lower than in normal operation. This also prevents the build-up of odours and mould which can occur if the refrigerator section is switched off and the door is closed.

When the Holiday mode is switched on, it is indicated on the start screen:



Holiday mode start screen

If the Super cool function is switched on, this will be switched off when Holiday mode is selected.


## Selecting further settings

### Using the minute minder (Quick-Cool timer)

The minute minder can be used to time other activities in the kitchen, e.g. chilling pastry. The audible tone will sound at the set time.

A maximum minute minder duration of 9 h 59 min can be set.

#### – Setting the minute minder

- Touch .
- Use + or – to set the hours.
- Confirm with OK.

The hours are now set. You can now set the minutes.


- Use + or – to set the minutes.
- Confirm with OK.

The minutes are now set. The set minute minder time starts counting down. If the appliance door is opened again, the minute minder duration will appear counting down in the display. After approx. 3 s, the display changes to the start screen.

If the minute minder duration is displayed or altered, the minute minder duration countdown will be halted.

In the event of an interruption to the power supply or when power is restored, any previously set minute minder duration will be deleted.

#### – When the minute minder duration has elapsed


An audible signal will sound and  will flash.


- Touch the display.

The start screen appears.

#### – Altering a minute minder entry


- Open the appliance door.


 and the minute minder duration countdown appear for approx. 3 s in the display.

- During this time, touch the minute minder duration countdown in the display.
- Touch  to alter a minute minder duration. Proceed exactly as for setting the minute minder duration (see “Setting the minute minder”).

#### – Cancelling a minute minder duration

- Open the appliance door.


 and the minute minder duration countdown appear for approx. 3 s in the display.

- During this time, touch the minute minder duration countdown in the display.
- Touch  to delete a minute minder duration.

The start screen appears.

You can also alter or cancel a set minute minder duration in Settings mode.

### Switching the ice cube maker on and off

 Risk to health due to contaminated water.

Bacteria can develop in water which has been sitting in the water supply lines for too long. This poses a risk to your health.


Throw away the first 3 batches of ice cubes made after the ice cube maker is started up, as the water will have been used for the initial rinsing of the water supply line.

This applies to the initial commissioning as well as when using the appliance again after it has been turned off for a long time.

Only make normal domestic quantities of ice cubes with the ice cube maker.

Please note:

- When using the appliance for the first time, it can take up to 24 hours for the first ice cubes to drop out of the ice cube maker and collect in the drawer.
- After the ice cube maker has been turned off and on again, this process lasts max. 6 hours.
- Make sure that the ice cube drawer is empty before switching on the ice cube maker.
- Ice cubes can only be made when the ice cube drawer is completely closed.

If  lights up in the display, the ice cube maker is not being supplied with sufficient water.

Check whether there is water in the water container.

The ice cube maker can be turned off independently of the refrigeration appliance if:



- You do not want to make any ice cubes.
- You switch Holiday mode on.
- You switch the refrigerator section off separately.

**Tip:** If the ice cube maker is switched off, the ice cube drawer can be used as an extra drawer for freezing fresh food and storing frozen food.

You cannot switch Super freeze or the ice cube maker off when Party mode is switched on.

After a mains outage, the ice cube maker will, if it was previously switched on, be deactivated after power is restored.

### – Additional functions

After switching the ice cube maker on, the function “Ice cube tray: set to cleaning position ” will appear in the display in Settings mode .

For further information on the function go to “Cleaning and care”, “Cleaning the ice cube tray”.

# Selecting further settings

## Activating or deactivating the safety lock

The safety lock can be activated to prevent:

- the appliance being switched off by mistake,
- the temperature being changed by mistake,
- the Super cool or Super freeze functions being selected by mistake,
- settings being adjusted by mistake (it is only possible to deactivate the lock).

This prevents the appliance being switched off or settings adjusted without your knowledge, by children, for example.

The safety lock will remain activated following an interruption to the power supply, if previously switched on.

## – Deactivating the safety lock temporarily

- Touch the display.

 appears.

- Touch  for approx. 6 seconds.

You can now select other settings. If the appliance door is closed again, the safety lock is activated again.

## – Deactivating the safety lock

- Touch the display.

 appears.

- Touch  for approx. 6 seconds.


The start screen will appear.

- Touch .

- Select .


 lights up orange.

- Touch .


 appears in the display. The safety lock is deactivated.

## Switching the refrigeration appliance off

The whole refrigeration appliance can be switched off with this function.

The temperature display goes out and  lights up.

The interior lighting goes out and cooling is turned off.

 will go out after approx. 10 minutes and the display will turn dark (Energy-saving mode).


## Selecting further settings

### Switching Sabbath mode on/off

The refrigeration appliance has a Sabbath mode to support the observance of religious customs.


The following functions are deactivated with Sabbath mode:

- interior lighting when the door is opened
- all acoustic and visual signals
- temperature display
- SuperCool, SuperFreeze, Party mode or Holiday mode functions (if previously switched on)
- minute minder (if previously switched on)

In addition, you cannot make any settings in Settings mode .

The Sabbath mode function will switch itself off automatically after approx. 120 hours.

Ensure that the doors are properly closed, as visual and audible alarms are switched off.

 Health risk caused by decomposing food.


As any mains outage during Sabbath mode is not indicated, the frozen goods may thaw or defrost. This will reduce the shelf life of the food.

Check whether the frozen goods have started to defrost. If they have, check that the food is safe to use and if it is, then use it as soon as possible or cook it before freezing it again.

### – Switching Sabbath mode on


- Touch .

 lights up orange.

Then  lights up white in the display.



Sabbath mode display

 will go out after approx. 3 seconds and the display will go dark.

### – Switching Sabbath mode off prematurely


- Touch the display.

 appears.

- Touch .

 lights up orange.


- Touch .


 lights up white. The function is switched off.

## Selecting further settings



---

### Setting the time before the door alarm is triggered

The refrigeration appliance has a door alarm. If a door is open for a longer period of time an alarm will sound (if this has not been switched off: see “Setting the volume/Switching alarms and audible tones on/off”) and  will light up in the display (see “Temperature and door alarm – Door alarm”).


You can set the time before the door alarm  sounds with the segment bar: The time can be set in 30-second increments, starting with 30 seconds (level 1 = 1 filled-in segment) up to a maximum of 3 minutes 30 seconds (level 7 = 7 filled-in segments).

### Switching the sensor tone on / off

Every time a selectable field is touched a sensor tone sounds. You can switch this on  or off .

### Setting the volume/Switching alarms and audible tones on/off

You can set the volume of the alarms and audible tones in the segment bar: If all segments are filled in, the maximum volume is set.

If no segments are filled in, the alarm and audible tones are switched off.  appears.

You will hear the volume change as it is adjusted.

Alarms and audible tones for temperature alarms, error messages, interruptions to the power supply or a set minute minder cannot be switched off.

### Setting the display brightness

You can set the display brightness in the segment bar:

If all segments are filled in, the maximum brightness is selected.


You will see the brightness change as it is being adjusted.


### Setting the temperature unit °C/°F

You can choose between degrees Celsius °C and degrees Fahrenheit °F for the temperature display.

### Switching Demo mode off

Demo mode allows the refrigeration appliance to be presented in the showroom without the cooling system being switched on. Do not activate this setting for domestic use.

If Demo mode has been switched on as a default setting,  will show on the display. You can switch the function off here.

If Demo mode has been switched off it cannot be switched on again via Settings mode .


### Resetting to the factory default settings

All appliance settings are reset to the factory default and the appliance is switched off.


### Accessing information

Appliance data (model number and serial number) is shown in the display.

**Tip:** This data is important when reporting an appliance fault to Miele Service.

Confirm with  to leave the information screen.

### – Displaying licence agreements

Licences used can be displayed via .


## Selecting further settings

---

### Replace charcoal filter reminder

The appliance is fitted with charcoal filters (Active AirClean) in a holder.


If the charcoal filter indicator has been activated, you will be reminded to replace the filters after approx. 6 months (see “Cleaning and Care” - “Replacing the charcoal filters”).

The  symbol will then appear in the start screen in the temperature display and an audible tone will sound (if switched on).

Touch the symbol to confirm the message. This resets the counter and the display changes back to the start screen.

### Clean ventilation grille reminder

The appliance has a ventilation grille in the plinth.


If the Clean ventilation grille reminder is activated, you will be reminded to dust the ventilation grille after approx. 12 months (see “Cleaning and care - Cleaning the ventilation grille”).  will then appear in the display and an audible tone will sound (if switched on).

**Tip:** The ventilation grille should be cleaned on a regular basis with a brush or vacuum cleaner (e.g. use the dusting brush for Miele vacuum cleaners).

A build-up of dust will increase the energy consumption of the appliance.


Touch the symbol to confirm the message. This resets the counter and the display changes back to the start screen.

## Storing food in the refrigerator section

 Risk of explosion due to flammable mixes of gases.

Electrical components can cause flammable mixes of gases to ignite.

Do not store explosive materials in the refrigeration appliance or any products containing propellants (e.g. spray cans).

 Risk of damage due to greasy or oily food.

If storing food which contains a lot of fat or oil in the refrigeration appliance or the appliance door, make sure that it does not come into contact with plastic components as this could cause stress cracks or break the plastic.

Make sure that no fat or oil leaks onto the plastic parts of the refrigeration appliance.

### Different storage zones

Due to natural air circulation, there are different temperature zones in the refrigerator section.

Cold, heavy air sinks to the lowest section of the refrigeration section. Make use of the different zones when placing food in the appliance.

**Tip:** To allow air to circulate efficiently, do not pack food too closely together in the appliance.

If there is insufficient air circulation, the cooling performance will decrease and energy consumption will increase.

Do not cover the fan in the rear wall of the appliance.

**Tip:** Do not store food in such a way that it touches the rear wall of the refrigerator section as it may freeze to the rear wall.

This appliance has automatic Dynamic cooling, which helps to keep an even temperature when the fan is running, making the difference between the various zones is less pronounced.

# Storing food in the refrigerator section

---

## Warmest area

The warmest area in the refrigerator section is at the top in the front area and in the door. Use this for storing butter and cheese.

## Coldest area

The coldest area in the fridge zone is directly above the DailyFresh drawer and at the back of the appliance.

Use these areas to store all delicate and highly perishable food such as:

- Fish, meat, poultry
- Cold cuts, ready meals
- Dishes or baked goods containing eggs or cream
- Fresh dough, cake mixtures, pizza or quiche dough
- Raw milk cheese and other raw milk products
- Pre-packed vegetables
- Other fresh food (with a label stating it should be kept at a temperature of approx. 4 °C)

**Tip:** Store food in such a way that it does not touch the rear wall of the fridge zone. Otherwise it could freeze to the rear wall.

## Food which is not suitable for storage in the refrigerator section

Not all food is suitable for refrigeration at temperatures below 5 °C, because it may be sensitive to cold. Depending on the type of food, the appearance, consistency, flavour and/or vitamin content may be altered if stored at too cold a temperature.

Food which is sensitive to cold includes:

- Pineapples, avocados, bananas, pomegranates, mangoes, melons, papayas, passionfruit, citrus fruit such as lemons, oranges, mandarins, grapefruit
- Fruit (which is not yet ripe)
- Aubergines, cucumbers, potatoes, peppers, tomatoes, courgettes
- Hard cheeses (e.g. Parmesan, mountain cheese)

# Storing food in the refrigerator section

---

## Notes on buying food

The freshness of the food when it is first placed in the appliance is the most important factor for how long it stays fresh.

Take into account the use-by date and the correct storage temperature.

Time out of the refrigerator, e.g. transporting food in a warm car, should be kept to a minimum.

## Storing food correctly

Ensure that food stored in the fridge zone is in packaging or covered properly (some exceptions apply in the DailyFresh drawer). This will prevent food odours from affecting other food, stop food from drying out and also prevent any cross-contamination of bacteria. This is particularly important when storing meat products. Make sure that food such as raw meat and fish in particular does not come into contact with other food.

By ensuring that the temperature settings are correct and by taking appropriate hygiene measures, you can prolong the storage life of your food considerably. This prevents food waste.

## Protein-rich food

Please note that food rich in protein deteriorates faster than other types of food. Shellfish, for example, deteriorates faster than fish, and fish deteriorates faster than meat.

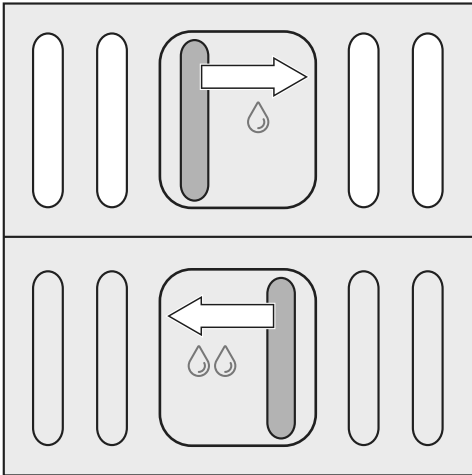
# Storing food in the DailyFresh drawer

The DailyFresh drawer provides good storage conditions for fruit and vegetables.

The humidity level in the DailyFresh drawer can also be regulated to suit the food being stored. Food retains its own moisture if stored at a higher humidity and so does not dry out as quickly. The temperature is approximately equivalent to the temperature in the refrigerator section.

Remember that the fresher the food when placed in the appliance, the longer it will stay fresh.

## Regulating the humidity level in the DailyFresh drawer



A slide control is used to regulate the amount of moisture present.

### Slide control at $\delta$ = moisture not increased

For hygiene reasons always keep these foods **covered or wrapped**.

### Slide control at $\delta\delta$ = moisture increased

This setting is suitable for storing fruit and vegetables.

The slide control closes the vents in the drawer so the moisture cannot escape.

The moisture level greatly depends on the type and quantity of food being stored, if stored unwrapped.

If the quantity of food being stored in this compartment is small, the humidity level may be too low.

**Tip:** If you are only storing a small amount of food, wrap it in airtight packaging.

Increased moisture in the drawer can, in some circumstances, cause a build-up of condensate. Wipe off any condensate with a cloth.

## Storage results for food stored in the DailyFresh drawer

**Observe the following tips if you find that food you have stored does not keep well (e.g. food becomes limp or wilts after only being stored for a short time):**

- Only place fresh food in the appliance. The initial condition of the food is crucial to maintaining freshness.
- Clean the drawer before storing food in it.
- Very wet food should be dried off before storing it.
- Do not store food which is sensitive to cold in the drawer (see “Food which is not suitable for storing in the refrigerator section”).
- Set the slide control to the correct position for the food being stored (humidity not increased or humidity increased).
- An increased humidity level  $\Delta\Delta$  in the humidity controlled compartment is achieved by the moisture present in the food being stored, i.e. the more food stored in the compartment, the higher the humidity.  
If too much moisture collects in the compartment at the  $\Delta\Delta$  setting and the food is affected, dry the floor with a cloth, and place a rack or similar item in the compartment so that excess moisture can drip down.  
If the humidity level becomes too low, wrap the food in airtight packaging.

# Adjusting the interior fittings (refrigerator section)

## Adjusting the door/bottle shelf

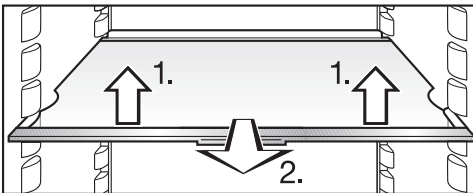
Only move door/bottle shelves when they are empty.

- Push the door/bottle shelf upwards, then remove it by pulling it forwards.
- Replace the shelf at the required height. Ensure that it is securely pushed back into position.

## Moving the adjustable shelf/ adjustable shelf with lighting

By adjusting the position of the adjustable shelf with lighting in the refrigerator section, you can change the illumination in this section according to your needs.

Stoppers prevent the shelves from being dislodged by mistake.



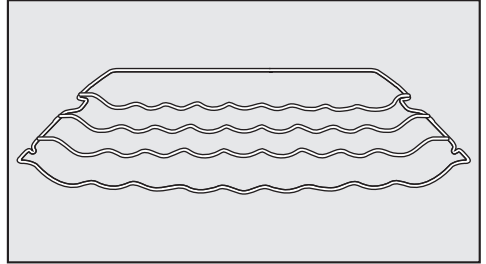
- The shelves can be adjusted according to the height of the refrigerated goods:

1. Lift it upwards slightly at the front.
2. Pull it forwards a little and lift it until the notch at the side is in line with the shelf support. It can then be raised or lowered to the required level.

- Push the shelf in until it clicks into position.

The raised edge on the protective strip at the back must face upwards to prevent food from touching the back of the appliance and freezing to it.

## Adjusting the bottle rack



The bottle rack can be placed at different positions in the appliance.

- Raise the bottle rack slightly at the front, and pull it forwards a little until the notch at the side is in line with the shelf support. It can then be raised or lowered to the required level.

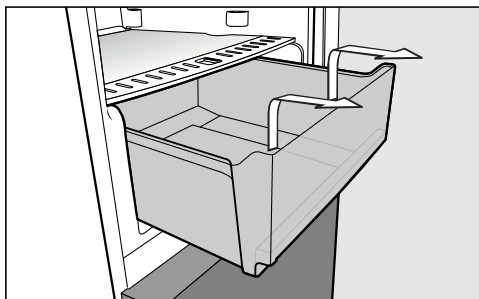
The rear rail must face upwards to prevent bottles from touching the back of the appliance.

Stoppers prevent the bottle rack from being dislodged by mistake.

# Adjusting the interior fittings (refrigerator section)

## Removing the DailyFresh drawer and rollers

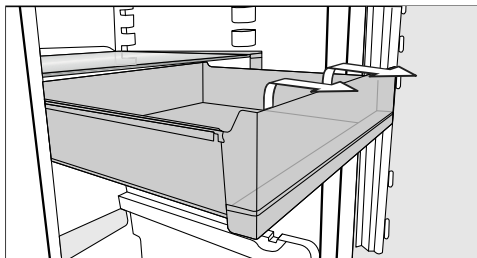
The DailyFresh drawer is on rollers and can be removed for filling, emptying or cleaning purposes.




- Pull out the drawer as far as it will go, and then lift it up and out.
- Remove the roller runners from the appliance floor.

## Moving the storage drawer (CompactCase)

You can move the drawer to a position of your choice:

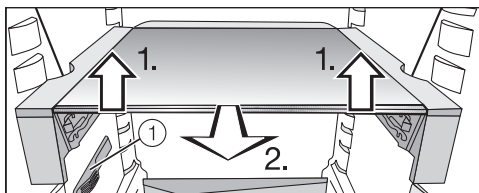


- Pull out the drawer as far as it will go, and then remove it.

 Risk of damage due to incorrect insertion of the shelf with the CompactCase holder.

This could damage the temperature sensor and the holder, or the temperature sensor may not function correctly.

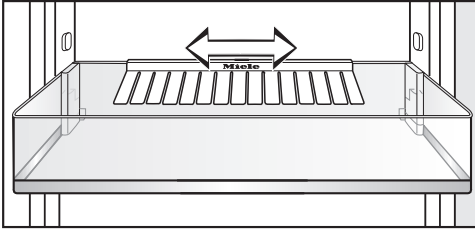
Do not place the shelf with the CompactCase holder on the temperature sensor ①.



- Raise the shelf slightly at the front and pull it forwards a little. Lift it until the notches at the side are in line with the shelf supports. It can then be raised or lowered to the required level.
- Replace the drawer.

# Adjusting the interior fittings (refrigerator section)

## Moving and fitting the bottle holder



The bottle holder can be moved left or right to create more room for drink cartons.

The bottle holder can be removed completely (e.g. for cleaning):

- Pull the bottle holder upwards to remove it from the rear edge of the bottle shelf.

The bottle holder can be replaced after cleaning.

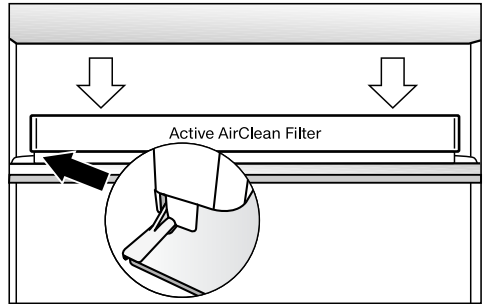
## Moving the charcoal filters

**When storing very strong smelling food (e.g. very ripe cheese):**

- Place the holder with the charcoal filters on the shelf where this food is kept.
- Change the filters sooner if necessary.
- Use more charcoal filters (with holders) in the appliance (see “Accessories - Optional accessories”).

The holder for the charcoal filters sits on the protective strip at the back of the shelf.

- Pull the charcoal filter holder upwards to remove it from the protective strip.



- Refit it on the protective strip of the shelf you wish to use it on.

## Maximum freezing capacity

To ensure that fresh food placed in the freezer freezes through to the core as quickly as possible, the maximum freezing capacity must not be exceeded. The maximum freezing capacity for freezing within a 24-hour period is given on the data plate: "Freezing capacity ... kg/24 hrs".

## Freezing fresh food

Fresh food should be frozen as quickly as possible. This way the nutritional value of the food, its vitamin content, appearance and taste are not impaired.

Food which takes a long time to freeze will lose more water from its cells, which then shrink. During the defrosting process, only some of this water is reabsorbed by the cells. What this means in practice is that the food loses more moisture. You can see this in the large amount of water that collects around the food when it defrosts.

If food is frozen quickly, the cells have less time to lose moisture, so they shrink less. As there is not so much moisture loss, it is easier for the food to reabsorb it during the defrosting process, and very little water collects around the defrosted food.

## Storing frozen food

Never re-freeze partially or fully defrosted food. Defrosted food may only be re-frozen after it has been cooked.

When buying frozen food to store in your freezer, check:

- That the packaging is not damaged
- The use-by date
- The temperature at which the frozen food is being stored in the shop.

The length of time food can be kept is reduced if it has been stored at a temperature warmer than  $-18^{\circ}\text{C}$ .

- Buy frozen food once you have finished the rest of your shopping and wrap it in newspaper or use a cool bag or cool box to transport it.
- Put it into the freezer as soon as possible.

# Freezing and storing food

## Home freezing


Only freeze fresh food which is in a good condition.

### Before placing food in the appliance

- When freezing more than 1 kg of fresh food, switch on the SuperFreeze function for some time before placing the food in the freezer (see “Using SuperCool and SuperFreeze – SuperFreeze function”).

This helps food which is already stored in the freezer to stay frozen.

### Placing frozen food in the freezer

 Risk of damage caused by loading too much food.

Loading food which is too heavy can cause damage to the freezer drawers/glass shelves.

Do not exceed the relevant maximum load size:

Freezer drawer = 25 kg

Glass shelf = 35 kg

Unfrozen food should not touch frozen food as this will cause the frozen food to begin to thaw.

- To prevent food sticking together when frozen, make sure that the packaging and containers are dry.

### – Freezing small amounts of food

Place the food in the upper freezer drawers.

- Place the frozen food flat in the bottom of the freezer drawers so that it freezes through to the core as quickly as possible.

### – Freezing the maximum amount of food (see data plate)

If the ventilation slots are blocked the cooling performance will decrease and energy consumption will increase.

When placing food in the freezer, make sure that the ventilation slots are not blocked.

- Remove the upper freezer drawers.
- Place the food flat on the upper glass shelves so that it freezes through to the core as quickly as possible.

### Once frozen:

- Place the frozen food in the freezer drawer and push it back in.

# Freezing and storing food

## Storage time for frozen food

The storage life of food is very variable, even at a constant temperature of  $-18\text{ }^{\circ}\text{C}$ . Decomposition processes also take place in frozen food, albeit at a very reduced speed. For example, fat can become rancid from contact with oxygen in the air. This is why lean meat can be stored approx. twice as long as fatty meat.

The storage times quoted are guide values for the storage life of different food groups in the freezer zone.

Food group	Storage time (Months)
Ice cream	2 to 6
Bread, baked goods	2 to 6
Cheese	2 to 4
Fish, oily	1 to 2
Fish, lean	1 to 5
Sausage, ham	1 to 3
Game, pork	1 to 12
Poultry, beef	2 to 10
Vegetables, fruit	6 to 18
Herbs	6 to 10

For standard freezing results, follow the advice on packaging.

By keeping the freezer zone at a constant temperature of  $-18\text{ }^{\circ}\text{C}$  and taking appropriate hygiene measures you can maximise the storage life of your food and avoid food waste.

## Defrosting frozen goods

Never re-freeze partially or fully defrosted food. Defrosted food may only be re-frozen after it has been cooked.

Frozen goods can be defrosted in different ways:

- In a microwave oven
- In an oven using “Fan heat” or the “Defrost” setting
- At room temperature
- In the refrigerator zone (the cold given off by the frozen food helps to keep the other food cold)
- In a steam oven

**Flat pieces of partially thawed meat or fish** can be placed directly into a hot frying pan.

**Meat and poultry** (e.g. mince, chicken, fish fillets) should not come into contact with other foods while defrosting. Catch the liquid from defrosting and dispose of it carefully.

**Fruit** should be defrosted at room temperature in its packaging, or in a covered bowl.


**Most vegetables** can be cooked while still frozen. Just put straight into boiling water or hot fat. The cooking time is slightly less than that of fresh vegetables due to changes in the cell structure.

## Cooling drinks quickly


To cool drinks quickly in the refrigerator section, switch on the SuperCool function.

# Freezing and storing food

---


If you want to cool a large amount of drinks, or if you want to cool drinks in the freezer section, select Party mode '≡ in Settings mode .

When cooling drinks quickly in the freezer, make sure bottles are not left in for **more than one hour**. Otherwise they could burst.

**Tip:** To avoid forgetting about bottles placed in the freezer you can set the minute minder (QuickCool timer)  in Settings mode.

## Making ice cubes

### Switching the ice cube maker on and off

For instructions on how to switch the ice cube maker on and off see “Selecting further settings” - “Switching the ice cube maker  on and off”.

### Making a large amount of ice cubes

The amount of ice cubes produced depends on the temperature in the freezer. The lower the temperature, the more ice cubes are produced within a given time. At a temperature of -18 °C, approx. 1 kg of ice cubes will be produced within 24 hours.

**Tip:** If you require a large amount of ice cubes, replace the full ice cube drawer with the drawer beside it on the right.

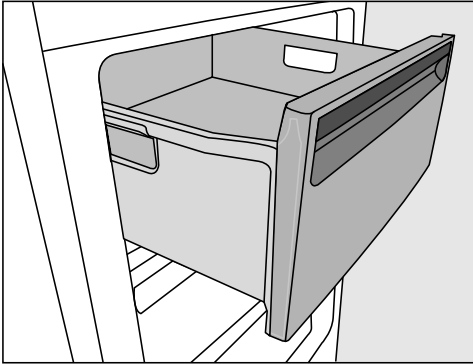
The ice maker will begin to produce ice cubes again as soon as this drawer has been placed in position and closed properly.

## Adjusting the interior fittings

### Removing the drawers and glass shelves

The drawers can be removed for filling, emptying or cleaning purposes.

You can also expand the space available in the freezer section. If you wish to freeze large items such as a turkey or game, the glass shelves between the drawers can be removed.

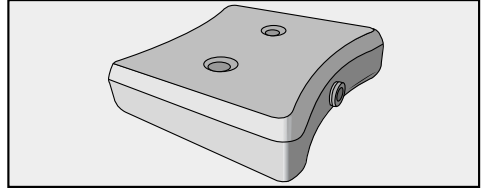


- Pull out the drawer as far as it will go, and then lift it up and out.
- Lift the glass shelf slightly, then pull it forward and out.

## Using accessories

### Using the cool pack

The cool pack prevents the temperature in the freezer zone from rising too quickly in the event of a power cut. This can help prolong the storage life.



- Place the cool pack in the top drawer of the freezer zone.

The cool pack will be at its most effective after it has been in the freezer for approx. 24 hours.

#### – In the event of a power cut

- Place the frozen cool pack directly on top of the frozen food in the front of the top drawer.

**Tip:** When placing fresh food in the freezer, use the cool pack to separate the fresh food from the food which is already frozen so that the frozen food does not begin to thaw.

# Defrosting

---

## Fridge zone and DailyFresh drawer

The fridge zone and the DailyFresh drawer defrost automatically.

Condensate and frost can build up on the back wall of the fridge zone and the DailyFresh drawer whilst the compressor is running. You do not need to remove this.

The condensate drains through a channel and drain hole into an evaporation system at the back of the refrigeration appliance. The warmth generated by the compressor causes the condensate to evaporate automatically.

Keep the condensate channel and drain hole clean to enable this. Condensate must be able to drain away unhindered at all times.


## Freezer section

The appliance is equipped with a “NoFrost” system. The freezer defrosts automatically.

The moisture generated in the appliance collects on the condenser and is automatically defrosted and dissipated from time to time.

This automatic defrosting system enables the freezer to remain permanently ice-free. Food stored in the freezer will not defrost with this system.

Do not let water get into the electronic module or the lighting.

 Risk of damage due to moisture ingress.

The steam from a steam cleaner can damage plastic and electrical components.

Do not use a steam cleaner to clean the refrigeration appliance.

Cleaning water must not get into the drain hole.

The data plate located inside the interior cabinet of the refrigeration appliance must not be removed. It contains information which is required in the event of a fault.

## Cleaning agents

Cleaning and conditioning agents used inside the appliance must be food safe.

To avoid damaging all the surfaces of your appliance, **do not use:**


- cleaning agents containing soda, ammonia, acids or chlorides
- cleaning agents containing descaling agents
- abrasive cleaning agents, e.g. powder cleaners and cream cleaners
- solvent-based cleaning agents
- stainless steel cleaning agents
- dishwasher cleaner
- oven sprays
- glass cleaning agents
- hard, abrasive sponges and brushes, e.g. pot scourers
- melamine eraser blocks
- sharp metal scrapers

We recommend using a clean sponge, lukewarm water with a little washing-up liquid to clean surfaces of the appliance.

The following pages contain important information on cleaning.


# Cleaning and care

## Cleaning the ice cube tray



-  Clean the ice cube tray
- before switching off the ice cube maker for a long time.
  - regularly, to remove ice and water residues.

The ice cube tray **cannot be removed** and must be cleaned in situ. For this reason the ice cube tray must be set to the cleaning position.

## Selecting the cleaning position


The ice cube maker has to be switched on before the “Select cleaning position ” function can be selected.

The ice cube drawer must also be in position.

- Empty the ice cube drawer and place it in the appliance.
- Select the  symbol in Settings mode .


The selected setting is applied. You will hear the ice cube tray turn so that it is at an angle.

- Wait until the ice cube tray has completed this rotation before continuing.

The  symbol will appear in the display.

- Remove the ice cube drawer.
- Clean the ice cube tray and the ice cube drawer with lukewarm water and a little washing up liquid. Wipe thoroughly with clean water and dry with a cloth.

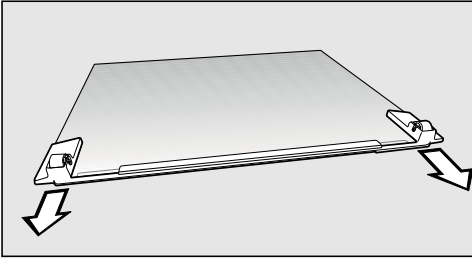
- Insert the ice cube drawer back into the appliance.

- After cleaning, confirm  with OK.

You will hear the ice cube tray return to its original position.

## Preparing the refrigeration appliance for cleaning

- Switch the refrigeration appliance off.
- ⏻ appears in the display and cooling is switched off.
- Take any food out of the refrigeration appliance and store it in a cool place.
- Remove the shelves and bottle shelf from the door.
- Take out the freezer drawers and glass plates.



- Pull off the front strip with the rollers.
- Take out all other removable parts for cleaning.

## Removing the water container

⚠ Risk to health due to contaminated water.

Bacteria can develop in water which has been sitting in the water container or the water supply lines for several days. This poses a risk to your health.

Change the water in the water container **every day**.

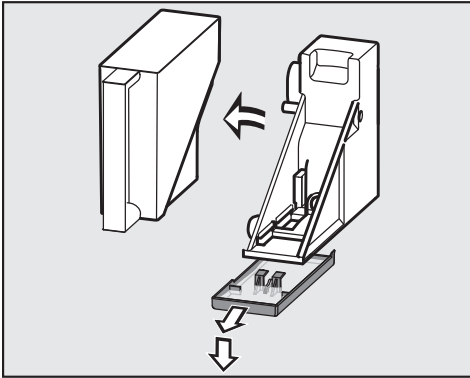
You should also always empty and refill it before switching on the ice cube maker to ensure that the ice cubes are made with fresh water.

If the water container has not been used for more than 24 h, empty it and clean it thoroughly before re-filling.

You should also clean the water container before switching off the appliance or the ice cube maker for a long time. Dry the water container carefully.

When cleaning the water container, also ensure that the valve, the underside of the water container and the surface the water container sits on in the refrigerator are clean. Otherwise the water container will not sit correctly.

## Cleaning and care



- Remove the water container.
- Pull the drip tray forwards and then downwards to remove it.

### Dismantling the adjustable shelf/adjustable shelf with lighting

**⚠** Risk of damage as a result of incorrect cleaning.

The stainless steel trim with LED lighting will be damaged if you place it in water for cleaning.

Clean the stainless steel trim with LED lighting with a damp cloth.

Remove the stainless steel trims or stainless steel trim with LED lighting before cleaning the adjustable shelves in the dishwasher.

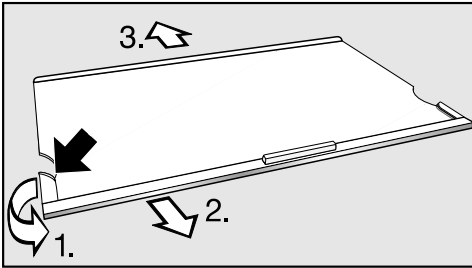
To remove the stainless steel trim and the rear protective strips, proceed as follows:

- Place the adjustable shelf on a soft surface (e.g. a tea towel) with the top side facing downward.

**⚠** Risk of damage as a result of incorrect handling.

When you remove the stainless steel trim with LED lighting, the contacts (metal disc) can be damaged.

These contacts in the front left corner supply power to the LED lighting. Ensure that you always loosen the side on which the contacts are not located first.



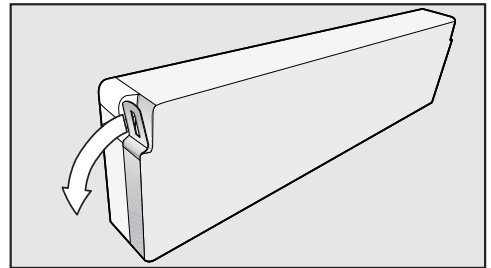
- Grasp the plastic surround on the left-hand side of the stainless steel trim at its rearmost point.
- 1. Pull the plastic surround from the adjustable shelf and
- 2. pull the trim off at the same time. The opposite side will also be released.
- 3. Then pull the protective strip off.
- After cleaning, reattach the stainless steel trim or protective strip by following the same procedure in reverse.

## Dismantling the bottle and door shelves

Remove the stainless steel trim before cleaning the door shelves in a dishwasher.

To remove the stainless steel trim, proceed as follows:

- Place the door/bottle shelf with the front side on the work surface.



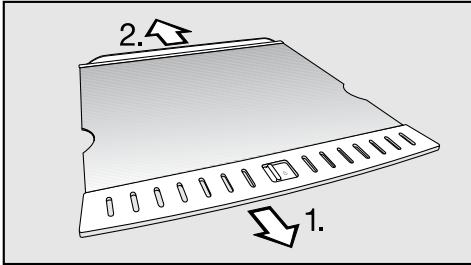
- Take hold of one end of the trim and pull it off the shelf. The entire section of stainless steel trim will now come off the shelf.
- After cleaning, reattach the stainless steel trim to the shelf by following the same procedure in reverse.

# Cleaning and care

## Removing the DailyFresh slide control

Remove the DailyFresh slide control before cleaning. Proceed as follows:

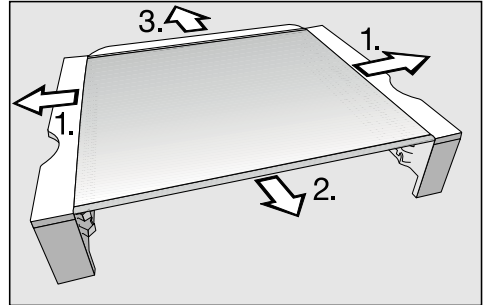
- Place the shelf on a worktop covered with a soft material (e.g. a tea towel).



- Pull the slide control panel (1) and the plastic trim (2) off, starting from one side.
- After cleaning the shelf reattach the plastic trim and the slide control panel.

## Dismantling the storage drawer (CompactCase)

- Place the storage drawer on a worktop covered with a soft material (e.g. a tea towel).



- Pull off the supports (1) from the sides of the shelf.
- Pull the stainless steel trim (2) off the shelf.
- Pull the protective strip (3) off the shelf.
- After cleaning the shelf reattach the stainless steel trim, the protective strip and the supports.

## Cleaning the interior and accessories

The refrigeration appliance should be cleaned regularly (at least once a month).


Remove soiling immediately to prevent it from drying on.

- Clean the **interior** with a clean sponge, lukewarm water and a little washing-up liquid.
- After cleaning, wipe with clean water and dry with a soft cloth.

Remove the stainless steel trims before cleaning the adjustable shelves and door shelves in a dishwasher.

The following parts **cannot be cleaned in a dishwasher**:

- the stainless steel trim or strips
- the protective strips at the back of the adjustable shelves
- the drip tray (underneath the water container)
- all drawers and the compartment lid (depending on model)
- the bottle rack
- the cool pack
- These accessories should all be hand washed.

 Risk of damage as a result of excessively high dishwasher temperatures.

Parts of the refrigeration appliance may become unusable, e.g. deform, if they are washed in the dishwasher at more than 55 °C.

For dishwasher-safe parts, only use dishwasher programmes with a maximum temperature of 55 °C.

Contact with natural dyes from carrots, tomatoes and ketchup, etc., may discolour the plastic parts in the dishwasher. This discolouration does not affect the stability of the parts.

The following parts **can be cleaned in the dishwasher**:

- bottle holder, butter dish, egg tray (depending on model)
- the water container and its lid
- the bottle shelf and shelves in the door (with stainless steel trim removed)
- the adjustable shelves (with the trim/strips removed and without the printing)
- the roller runners
- the holder for the charcoal filters
- Clean the condensate channel and drain hole frequently so that condensate can drain away unhindered. Use a straw or similar to clear the drain if necessary.
- Take the DailyFresh drawer out to do this.

## Cleaning and care

- Leave the door open to air the appliance for a short while and to prevent odours building up.

### Cleaning the front of the appliance and the side panels

If soiling is left on for any length of time, it may become impossible to remove. Surfaces may suffer discoloration or damage.


Therefore, it is best to remove soiling from the appliance front and side panels immediately.

All surfaces are susceptible to scratching. Contact with unsuitable cleaning agents can alter or discolour the surfaces.

See the information on “Cleaning agents” at the beginning of this section.

- Clean the surfaces with a clean sponge and a solution of warm water and washing-up liquid. A clean, damp microfibre cloth without cleaning agent can also be used.
- After cleaning, wipe with clean water and dry with a soft cloth.

### Appliance front

 Risk of damage as a result of incorrect cleaning.

The front finish (CleanSteel) will be damaged.


**Do not use a stainless steel cleaning agent** on this surface.

The appliance front has a high quality, special finish (CleanSteel). It is resistant to soiling and is very easy to clean.

### Cleaning the ventilation grille

A build-up of dust will increase the energy consumption of the appliance.

- The ventilation grille should be cleaned on a regular basis with a brush or vacuum cleaner (e.g. use the dusting brush for Miele vacuum cleaners).

**Tip:** If you want to be reminded automatically every 12 months, switch the “Clean ventilation grille” reminder on (see “Selecting further settings – Clean ventilation grille  reminder”).

## Cleaning the door seal

If the door seal is damaged or has slipped out of its groove, the appliance door may not close properly and cooling performance will be reduced. As a result, condensate will build up in the interior cabinet and this can cause a build-up of ice.

Do not damage the door seal and ensure it does not slip out of its groove.



Risk of damage as a result of incorrect cleaning.

If you treat the door seal with oils or grease, it can become porous.

Do not use any oils or grease on the door seal.

- The door seal should be cleaned regularly with clean water and then wiped dry with a cloth.

## Replacing the charcoal filters

Replace the charcoal filters in the holder every 6 months.

If you would like to be reminded automatically every 6 months, switch on the “Replace charcoal filter” reminder (see “Selecting further settings – Replace charcoal filter reminder”).

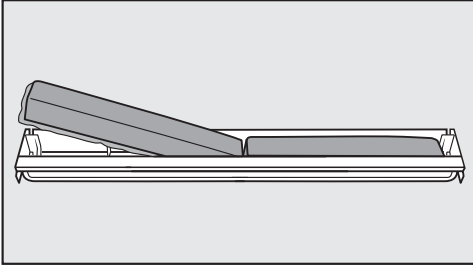
Replacement KKF-RF charcoal filters can be obtained from the Miele Customer Service Department, from your dealer or from Miele's website.

**Tip:** The charcoal filter holder is dishwasher-safe.

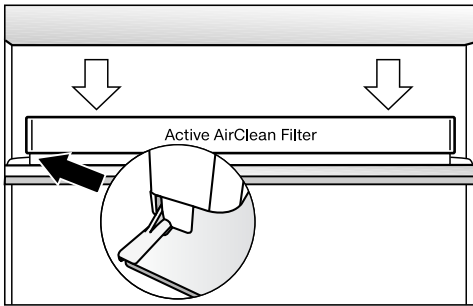
- Pull the charcoal filter holder upwards to remove it from the adjustable shelf.


When in position, the charcoal filters must not touch the rear wall of the refrigeration appliance as the moisture could cause them to stick to it. Insert the new charcoal filters deep enough in the holder to ensure that they do not protrude over the edge of the holder.

## Cleaning and care



- Remove both charcoal filters and place the new filters with the surrounding edge pointing downwards in the holder.



- Place the holder in the middle of the raised edge at the back of the adjustable shelf, so that it clicks into position.
- Touch  to confirm that the filters have been replaced.

The “Replace charcoal filter” reminder will go out on the display and the counter will be reset.

### After cleaning

- Replace all shelves and accessories in the appliance.
- Switch the refrigeration appliance on.
- Switch on the Super freeze function for a while so that the freezer section can cool down quickly.
- Switch on the Super cool function for a while so that the refrigerator section can cool down quickly.
- Place food in the refrigerator section and close the door.
- Place the freezer drawers with the frozen food back in the freezer section and close the door.
- When the temperature in the freezer section is a constant  $-18\text{ }^{\circ}\text{C}$  or colder press the Super freeze button to switch the Super freeze function off.

# Problem solving guide

Many malfunctions and faults that can occur in daily operation can be easily remedied. Time and money will be saved because a service call will not be needed.

The following guide may help you to find the reason for a malfunction or a fault, and to correct it.

To prevent unnecessary loss of temperature it is advisable not to open the door while waiting for the appliance to be serviced.

Problem	Cause and remedy
<p><b>The appliance is not getting cold and the interior lighting does not come on when the door is opened.</b></p>	<p>The appliance has not been switched on.</p> <ul style="list-style-type: none"> <li>■ Switch the appliance on.</li> </ul> <p>The mains plug is not inserted in the socket correctly or the plug connector is not inserted into the socket at the back of the appliance correctly.</p> <ul style="list-style-type: none"> <li>■ Insert the mains plug into the mains socket and the plug connector into the appliance socket correctly and switch on.</li> </ul> <p>Check whether the mains fuse has tripped. There could be a fault with the appliance, the household electrical wiring or another electrical appliance.</p> <ul style="list-style-type: none"> <li>■ Contact a qualified electrician or Miele.</li> </ul>
<p><b>The compressor runs continuously.</b></p>	<p>This is not a fault. To save energy, the compressor runs at a lower speed, but for longer, when less cooling is required.</p>
<p><b>The compressor is switching on more frequently and for longer periods of time. The temperature in the refrigeration appliance is too low.</b></p>	<p>The ventilation gaps have been covered or become too dusty.</p> <ul style="list-style-type: none"> <li>■ Do not block the ventilation gaps.</li> <li>■ Dust the ventilation gaps regularly.</li> </ul> <p>The appliance doors have been opened too frequently, or a large amount of fresh food has been placed inside and/or frozen at the same time.</p> <ul style="list-style-type: none"> <li>■ Only open the appliance doors when necessary and for as short a time as possible.</li> </ul> <p>After a while, the temperature will return to normal by itself.</p> <p>The appliance doors are not closed properly. A thick layer of ice may have formed in the freezer.</p> <ul style="list-style-type: none"> <li>■ Close the appliance doors.</li> </ul>

## Problem solving guide








Problem	Cause and remedy
	<p>After a while, the temperature will return to normal by itself.</p> <p>If a thick layer of ice has already formed, this will affect cooling and increase energy consumption.</p> <ul style="list-style-type: none"> <li>■ Defrost the refrigeration appliance and clean it.</li> </ul> <p>The ambient room temperature is too high. The higher the ambient temperature, the longer the compressor has to run.</p> <ul style="list-style-type: none"> <li>■ See “Installation – Location”.</li> </ul> <p>The temperature setting in the refrigeration appliance is too low.</p> <ul style="list-style-type: none"> <li>■ Correct the temperature setting.</li> </ul> <p>A large amount of food is being frozen at once.</p> <ul style="list-style-type: none"> <li>■ See “Freezing and storing food”.</li> </ul> <p>The SuperCool function is still switched on.</p> <ul style="list-style-type: none"> <li>■ You can switch off the SuperCool function earlier to save energy.</li> </ul> <p>The SuperFreeze function is still switched on.</p> <ul style="list-style-type: none"> <li>■ You can switch off the SuperFreeze function earlier to save energy.</li> </ul>
<p><b>The compressor comes on less and less often and for shorter periods of time. The temperature in the refrigeration appliance rises.</b></p>	<p>This is not a fault. The temperature setting is too high.</p> <ul style="list-style-type: none"> <li>■ Correct the temperature setting.</li> <li>■ Check the temperature again after 24 hours.</li> </ul> <p>The frozen food begins to defrost.</p> <p>The ambient temperature is too low for this refrigeration appliance.</p> <p>If the ambient temperature is too low, the compressor will run less frequently. This may cause the freezer section to become too warm.</p> <ul style="list-style-type: none"> <li>■ See the information in “Installation – Installation site”.</li> <li>■ Increase the ambient temperature.</li> </ul>

## Problem solving guide






Problem	Cause and remedy
<b>Ice or condensation has built up inside the refrigeration appliance. The appliance door may not close correctly.</b>	The door seal has come out of its groove. ■ Check that the door seal is correctly positioned in the groove.
	The door seal is damaged. ■ Check whether the door seal is damaged.
<b>The door seal is damaged or needs to be replaced.</b>	No tools are required to change the door seal. ■ Change the door seal. A replacement is available from Miele or from specialist retailers.

# Problem solving guide






## Display warnings




Message	Cause and remedy
<p> lights up on the display, the appliance does not get cold even though the controls and the interior lighting are working.</p>	<p><b>Demo mode</b> is switched on.</p> <ul style="list-style-type: none"> <li>Switch Demo mode off (see “Selecting further settings – Switching Demo mode off”).</li> </ul>
<p>Nothing is visible on the display. The display is completely blank.</p>	<p><b>Energy-saving mode</b> is switched on. If the appliance has not been operated for a while (approx. 10 minutes), the display is switched off.</p> <ul style="list-style-type: none"> <li>Touch the display.</li> </ul> <p>The display shows the most recent indication.</p>
	<p><b>Sabbath mode</b> is switched on. The interior lighting is switched off and the appliance is cooling down.</p> <ul style="list-style-type: none"> <li>Touch the display.</li> </ul> <p> will then light up white in the display (see “Selecting further settings – Switching Sabbath mode on/off”).</p>
<p> is lit up in the display and the appliance cannot be used.</p>	<p>The <b>safety lock</b> has been activated.</p> <ul style="list-style-type: none"> <li>Deactivate the safety lock temporarily or switch it off completely (see “Selecting further settings - Activating or deactivating the safety lock”).</li> </ul>
<p> lights up in the refrigerator section temperature display and an audible tone sounds.</p>	<p>The <b>Replace charcoal filter reminder</b> setting has been activated. This is the reminder to change the Active AirClean charcoal filters.</p> <ul style="list-style-type: none"> <li>Confirm that the filters have been replaced by touching  in the display, and replace the charcoal filters in the holder (see (“Cleaning and care” - “Replacing the charcoal filters”).</li> </ul>
<p> lights up in the display and an audible tone also sounds.</p>	<p>The <b>Clean ventilation grille reminder</b> setting has been activated. This is the prompt to clean the ventilation grille.</p> <ul style="list-style-type: none"> <li>Confirm the message by touching  in the display and clean the ventilation grille (see “Cleaning and care - Cleaning the ventilation grille”).</li> </ul>

## Problem solving guide








Message	Cause and remedy
 <b>lights up yellow in the display and a buzzer sounds.</b>	<p>There is not enough water in the water container.</p> <ul style="list-style-type: none"> <li>■ Fill the water container with fresh drinking water.</li> </ul> <p>The drawer of the ice cube maker is not closed properly.</p> <ul style="list-style-type: none"> <li>■ Push the drawer all the way in.</li> </ul> <p>The water container is not fitted correctly.</p> <ul style="list-style-type: none"> <li>■ Push the water container into the appliance, making sure it clicks into position correctly.</li> </ul>
 <b>lights up yellow in the display and a buzzer sounds.</b>	<p>The drawer for the ice cube maker is full.</p> <ul style="list-style-type: none"> <li>■ Remove the drawer and empty it.</li> </ul>
 <b>lights up yellow in the temperature display for the refrigerator section and/or the freezer section and an alarm also sounds.</b>	<p>The door alarm has been activated.</p> <ul style="list-style-type: none"> <li>■ Touch and hold  for a few seconds.</li> </ul> <p>The alarm will stop and the  symbol will go out.</p> <ul style="list-style-type: none"> <li>■ Close the relevant appliance door.</li> </ul>

# Problem solving guide



Message	Cause and remedy
<p> <b>lights up red in the freezer section temperature display and an alarm also sounds.</b></p>	<p>The temperature alarm has been activated; the temperature in the freezer section has risen higher or fallen lower than the temperature set.</p> <p>Possible reasons for this include:</p> <ul style="list-style-type: none"><li>- The appliance door has been opened too frequently.</li><li>- A large quantity of fresh food has been placed in the freezer without switching on the Super-Freeze function.</li><li>- A prolonged power cut (mains outage) has occurred.</li><li>- The refrigeration appliance has a fault.</li></ul> <p>■ Tap  .</p> <p>The alarm message is confirmed:   goes out and the alarm stops.</p> <p>The warmest temperature recorded in the freezer section will flash for about 1 minute in the display. Then the temperature display will change to the current temperature in the freezer section.</p> <p>You can exit from the flashing temperature display early:</p> <p>■ Touch the temperature display for the freezer section.</p> <p>The warmest temperature displayed will disappear. The display will then revert to showing the current temperature in the freezer.</p> <p>■ Rectify the cause of the alarm.</p> <p>■ Depending on the temperature displayed, you should check whether food in the freezer has started to thaw or has defrosted. If it has, it should be used as soon as possible. Defrosted food may only be re-frozen after it has been cooked.</p>

Message	Cause and remedy
<p> <b>lights up red in the display and an alarm also sounds.</b></p>	<p>Indication of an interruption to the power supply: the temperature in the freezer section over the last few days or hours has risen too high because of a power cut or interruption to the power supply.</p> <ul style="list-style-type: none"> <li>■ Tap .</li> </ul> <p>The fault message is confirmed:   goes out and the alarm will stop.</p> <p>The warmest temperature recorded in the freezer section will flash for about 1 minute in the temperature display for the freezer section. Then the temperature display will change to the current temperature in the freezer section.</p> <p>You can exit from the flashing temperature display early:</p> <ul style="list-style-type: none"> <li>■ Touch the temperature display for the freezer section.</li> </ul> <p>The warmest temperature displayed will disappear. The display will then revert to showing the current temperature in the freezer. The appliance will go back to the last temperature setting when the power is back on.</p> <ul style="list-style-type: none"> <li>■ Rectify the cause of the alarm.</li> <li>■ Depending on the temperature displayed, you should check whether food in the freezer has started to thaw or has defrosted. If it has, it should be used as soon as possible. Defrosted food may only be re-frozen after it has been cooked.</li> </ul>

## Problem solving guide

Message	Cause and remedy
<p> <b>lights up red in the display and a fault code F with numbers may appear. An alarm will also sound.</b></p>	<p>There is a fault.</p> <ul style="list-style-type: none"> <li>■ Tap  on the display to switch the alarm off.</li> <li>■ Call the Miele Customer Service Department.</li> </ul> <p>To report the fault, you need the fault code and also the model number and serial number of your refrigeration appliance. You can access this information on the display.</p> <ul style="list-style-type: none"> <li>■ To do this, touch  on the display.</li> </ul> <p>The appliance data required will be shown on the display.</p> <p>Confirm with <i>OK</i> to exit the information display and the fault code will be shown again on the display.</p> <p>The refrigeration appliance can be switched off directly from the fault message display.</p> <hr/> <p>There is an appliance fault: this display always has priority over any settings which have just been selected.</p> <p>An appliance fault has priority over any current door and/or temperature alarms displayed.</p>
<p> <b>lights up red in the display and an alarm also sounds.</b></p>	<p>There is a fault with the ice cube maker.</p> <ul style="list-style-type: none"> <li>■ Tap   on the display to switch the alarm off.</li> <li>■ Call the Miele Customer Service Department.</li> </ul> <p>The ice cube maker can also be switched off in Settings mode .</p>



## Problems with the ice cube maker

Problem	Cause and remedy
<b>The ice cube maker will not switch on.</b>	<p>The appliance is not connected to the power supply or is not switched on.</p> <ul style="list-style-type: none"> <li>■ Reconnect to the mains and switch the appliance back on.</li> </ul>
<b>The ice-cube maker is not producing any ice cubes.</b>	<p>The appliance and/or the ice-cube maker is not turned on.</p> <ul style="list-style-type: none"> <li>■ Switch on the appliance and the ice-cube maker.</li> </ul>
	<p>The  symbol lights up in the display and the ice cube maker drawer is not closed properly.</p> <ul style="list-style-type: none"> <li>■ Push the drawer all the way in.</li> </ul>
	<p>The  symbol lights up in the display and there is not enough water in the water container.</p> <ul style="list-style-type: none"> <li>■ Fill the water container with fresh tap water.</li> </ul>
	<p>The water container is not fitted correctly.</p> <ul style="list-style-type: none"> <li>■ Push the water container into the appliance, making sure it clicks into position correctly.</li> </ul>
	<p>The ice cube tray is not positioned correctly.</p> <ul style="list-style-type: none"> <li>■ Adjust the position of the ice cube tray.</li> </ul>
	<p>The temperature in the freezer section is too high.</p> <ul style="list-style-type: none"> <li>■ Select a lower temperature.</li> </ul>



# Problem solving guide

Problem	Cause and remedy
<b>The ice cubes taste or smell odd.</b>	<p>The ice cube maker is in continuous use and should be cleaned regularly.</p> <ul style="list-style-type: none"><li>■ Rinse the ice cube maker and inlet pipe regularly. The 1st three batches of ice should be thrown away and not consumed.</li></ul>
	<p>The ice cube maker is rarely used. Ice cubes that are stored for a long time can absorb the taste and smell of other items.</p> <ul style="list-style-type: none"><li>■ Empty the ice cube drawer if you are not going to use the ice cube maker for a long period of time.</li><li>■ Rinse the ice cube maker and inlet pipe regularly. The 1st three batches of ice should be thrown away and not consumed.</li></ul>
	<p>Unwrapped food is stored in the freezer. Ice can absorb the taste and smell of unwrapped food.</p> <ul style="list-style-type: none"><li>■ Only store food which is packaged in the freezer section.</li></ul>
	<p>The ice cube drawer is dirty.</p> <ul style="list-style-type: none"><li>■ Clean the ice cube drawer.</li></ul>

## The interior lighting is not working.

Problem	Cause and remedy
<p><b>The interior lighting is not working.</b></p>	<p>The refrigeration appliance has not been switched on.</p> <ul style="list-style-type: none"> <li>■ Switch the refrigeration appliance on.</li> </ul>
	<p><b>Sabbath mode</b> is switched on: the display is dark and the refrigeration appliance is cooling.</p> <ul style="list-style-type: none"> <li>■ Touch the display.</li> </ul> <p>☺☺ will then light up white in the display (see “Selecting further settings – Sabbath mode ☺☺”).</p>
	<p>To avoid overheating, the lighting switches itself off automatically after approx. 15 minutes if the appliance door is left open. If this is not the case, then there is a fault.</p>
	<div style="border: 1px solid gray; padding: 5px; margin-bottom: 10px;"> <p> Risk of electric shock due to exposed, live electrical components.</p> <p>When removing the lighting cover, there is a risk of coming into contact with live electrical components.</p> <p>Do not remove the lighting cover. The LED lighting may only be repaired or replaced by the Miele Customer Service Department.</p> </div> <div style="border: 1px solid gray; padding: 5px;"> <p> Danger of injury from LED lighting.</p> <p>This lighting corresponds to risk group RG 2. If the cover is defective, there is a danger of eye injury.</p> <p>If the lighting cover is defective, do not look from a close range directly into the lighting with optical instruments (e.g. magnifying glass or similar).</p> </div> <ul style="list-style-type: none"> <li>■ Call the Miele Customer Service Department.</li> </ul>

## Problem solving guide

Problem	Cause and remedy
<b>The LED lighting on one of the adjustable shelves is not working.</b>	<p>The shelf has not been positioned correctly on the shelf supports.</p> <ul style="list-style-type: none"><li>■ Check that the shelf is positioned correctly on the shelf supports. The shelf has a metal disc (contacts) at the front left corner which supply power to the LED lighting.</li><li>■ Push the shelf in until it clicks into position.</li></ul>
	<p>The metal disc is not clean and dry.</p> <ul style="list-style-type: none"><li>■ Clean it with a damp cloth and then dry with a lint-free cloth.</li></ul>
	<p>The LED lighting on the stainless steel trim is faulty.</p> <div data-bbox="404 584 1039 783" style="border: 1px solid gray; padding: 5px;"><p> Risk of electric shock. There are live electrical components under the lighting cover. The LED lighting may only be repaired or replaced by Miele Service.</p></div> <div data-bbox="404 794 1039 1082" style="border: 1px solid gray; padding: 5px;"><p> Risk of injury from LED lighting. The light intensity corresponds to laser beam class 1/1M. The lighting covers must not be removed or damaged, or be removed due to damage. This could cause injury to your eyes. Do not look into the LED lighting (laser beam class 1/1M) with optical instruments (e.g. magnifying glass or similar).</p></div> <ul style="list-style-type: none"><li>■ Replace the adjustable shelf with LED lighting. A replacement is available from Miele Service.</li></ul>

## Problem solving guide

Problem	Cause and remedy
<b>The LED lighting is not working on any of the shelves.</b>	<p>Liquid has been spilt onto the LED lighting on one of the shelves or the metal discs (contacts) in the left-hand shelf supports.</p> <p>The safety switch-off mechanism has switched off the LED lighting on all the shelves.</p> <ul style="list-style-type: none"><li>■ Wipe the stainless steel trim with LED lighting with a damp cloth and dry it or leave it outside the appliance to dry. Clean the metal discs (contacts) in the shelf supports in the same way.</li><li>■ Make sure that the contacts are clean and dry before replacing the shelves with LED lighting.</li><li>■ Push the shelf in until it clicks into position.</li><li>■ Close the appliance door.</li></ul> <p>The interior lighting will come on when the door is opened again.</p> <hr/> <p>If this is not the case, then there is a fault.</p> <ul style="list-style-type: none"><li>■ Call Miele.</li></ul>

# Problem solving guide

---

## Other problems

Problem	Cause and remedy
<b>Food has frozen together.</b>	The food packaging was not dry when placed in the freezer. ■ Use a blunt instrument, e.g. a spoon handle or plastic scraper, to prise it apart carefully.
<b>The external walls of the appliance feel warm.</b>	This is not a fault. The heat created by the evaporator is used to prevent condensation.
<b>There is no audible alarm even though the door has been open for a long time.</b>	Not a fault! The alarm has been switched off in Settings mode (see “Selecting further settings – Setting the volume/Switching alarms and audible tones 🔊 on/off”).

Normal noises	What causes them
<b>Brrrrr ...</b>	A humming noise is made by the motor (compressor). This noise can get louder for brief periods when the motor switches on.
<b>Blubb, blubb ...</b>	A gurgling noise can be heard when coolant is circulating through the pipes.
<b>Click ...</b>	Clicking sounds are made when the thermostat switches the motor on and off.
<b>Sssrrrrr ...</b>	You can sometimes just hear the sound of the fan inside the appliance.
<b>Crack ...</b>	A cracking sound can be heard when materials expand inside the appliance.
Remember that the noise of the compressor and the coolant circulating in the system is unavoidable.	

Noises	Cause and remedy
<b>Rattling, vibrating</b>	The refrigeration appliance is uneven. Realign the appliance using a spirit level by raising or lowering the adjustable feet underneath the refrigeration appliance.
	The refrigeration appliance is touching another appliance or piece of furniture. Move it away.
	Drawers, baskets or shelves are jiggling or are stuck. Check all removable items and refit them correctly.
	Bottles or containers are touching. Separate them.

# Service

## Contact in the event of a fault

In the event of any faults which you cannot remedy yourself, please contact your Miele dealer or the Miele Customer Service Department.

You can book a Miele Customer Service Department call-out online at [www.miele.com/service](http://www.miele.com/service).

Contact information for the Miele Customer Service Department can be found at the end of this document.

Please quote the model identifier and serial number of your appliance (Fabr./SN/Nr.) when contacting the Miele Customer Service Department. This information can be found on the data plate.

Please note that telephone calls may be monitored and recorded for training purposes and that a call-out charge will be applied to service visits where the problem could have been resolved as described in this booklet.

The data plate can be found inside the appliance.

## Displaying appliance information

This can be found in Settings mode under Information **i** (see “Selecting further settings”) or on the data plate inside the refrigeration appliance.

### – Displaying licence agreements

Licences used can be displayed via ©.

## EPREL database

From 1 March 2021, information on energy labelling and ecodesign requirements will be available in the European

Product Database (EPREL). You can find the product database at the following link <https://eprel.ec.europa.eu/>. You will be asked to enter the model identifier.

The model identifier can be found on the data plate.


<b>Miele</b>			
XXXXXX		Nr. XX/XXXXXXXXXX.	
WINEINFREIERSCHRANK-UNTERTISCHMODELL MULTITEMPERATURE WINE STORAGE CABINET-UNDERWORKTOP ARMOIRE DE MISE EN TEMP. DES VINS/BO. ENCASTRABLE SOUS PLAN ARMOIRE PLACONDEGHIAMITO. VINOCAVODENPOTTRBAJO ENCIEMERA ВИННИЙ ТЕМПЕРАТУРНИЙ ШКАФ			
Klasse/Class Classe/Clase SN-ST	Ap-Type/AP-Type AP-Type/AP-Tipo	Bruttinhalt/Gross Capacity Volume Brui/Capacità Bruta XXXX l	Gefriervermögen/Freezing Capacity Pouvoir de Congel/Capac. Congeladora
Nutzinhalt Net Capacity Volume Utile Capac. Util	Geo / K / K Tot / R / F To / R / C Tot / F / C	/G / WEN / KALT /WINE / CHILL /C / WIND / CHILL	<b>R600a: XXg</b>

## Warranty

The appliance warranty is valid for 2 years from date of purchase. In the UK, you must activate your cover by calling 0330 160 6640 or registering online at [www.miele.co.uk](http://www.miele.co.uk).


For more information on country-specific warranty terms and conditions, please contact Miele Customer Service.

## Installation

 Fire risk and risk of damage from appliances which give off heat.

Appliances which give off heat can catch fire and set fire to the refrigeration appliance.


Do not place appliances which give off heat, such as mini-ovens, double burner hobs or toasters on the refrigeration appliance.

 Fire risk and danger of damage from open flames.

Open flames can set fire to the refrigeration appliance.

Keep open flames (e.g. a candle) away from the refrigeration appliance.

## Side-by-side installation

 Risk of damage due to condensation on external appliance panels.

In environments with high humidity, condensation can build up on external appliance panels, which can cause corrosion.

Do not place different refrigeration appliance models directly next to or on top of one other.

Your refrigeration appliance must not be installed “side-by-side” because it is not equipped with built-in heating units in the side panels.

If you want to place several refrigeration appliances next to each other, a distance of 100 mm must be maintained between them.

Please contact your dealer for specific information about which combinations will work with your appliance.

## Location

This appliance should be installed in a dry, well-ventilated room.

When deciding where to install your refrigeration appliance please bear in mind that it will use more energy if installed near to a heater, a cooker or other appliance that gives off heat. Direct sunlight should also be avoided. The higher the room temperature, the longer the compressor runs and the higher the energy consumption is.

When installing the appliance, please note:

- The socket must be easily accessible in an emergency, not concealed behind the appliance.
- The plug and cable must not touch the rear of the appliance as they could be damaged by vibrations from the appliance.
- Do not plug in other appliances behind this appliance.

# Installation

 Risk of damage due to corrosion. In environments with high humidity, condensation can build up on external refrigeration appliance panels. This condensate can cause corrosion on external appliance panels. Install the refrigeration appliance in a dry and/or air-conditioned room with sufficient ventilation. After installation, make sure that the appliance doors close properly, the ventilation gaps are not covered and that the refrigeration appliance has been installed in accordance with these installation instructions.


## Climate range

This refrigeration appliance is designed for use within specific ambient temperatures (climate range). Do not use in ambient temperatures for which it is not designed. The climate range is stated on the data plate in the interior cabinet of the refrigeration appliance.

Climate range	Ambient temperature
SN	+10 to +32 °C
N	+16 to +32 °C
ST	+16 to +38 °C
T	+16 to +43 °C

A lower ambient temperature leads to the compressor switching off for longer periods. This can cause the internal temperature in the refrigeration appliance to rise with the risk of food deteriorating and going off.

## Ventilation

 Risk of fire and damage due to insufficient ventilation.

If the refrigeration appliance is not ventilated sufficiently, the compressor will run more frequently and for longer periods. This will result in increased energy consumption and a higher operating temperature for the compressor. This may, in turn, cause damage to the compressor.

Please ensure that there is adequate ventilation around the refrigeration appliance.

It is essential to observe the required ventilation gaps.

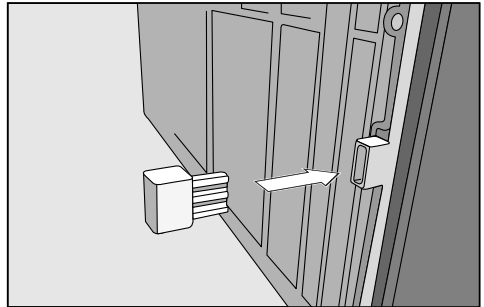
The ventilation gaps must not be covered or blocked in any way.

They must also be regularly dusted.

Air at the back of the refrigeration appliance gets warm.

## Fitting supplied wall spacers

The wall spacers supplied must be used in order to achieve declared energy consumption values and to prevent the build-up of condensation at high ambient temperatures. The appliance depth is increased by approx. 15 mm with the wall spacers fitted. If the wall spacers are not used, the functionality of the appliance is not affected. Energy consumption is only slightly increased with less distance between the appliance and the wall.



- Fit the wall spacers onto the back of the refrigeration appliance on the bottom left and right.

# Installation

## Limiting the opening angle of the appliance door

The door hinges are set ex works to enable the door to be opened up to 115°. If the appliance door hits an adjacent wall when opened, for example, the opening angle can be limited to approx. 90°:

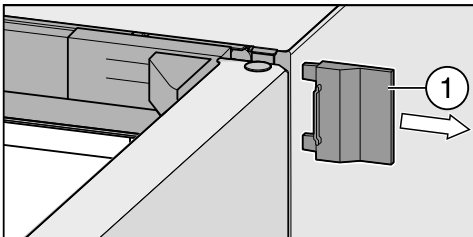
The door opening angle limiter should be fitted before the refrigeration appliance is installed.

## Fitting the door opening angle limiter

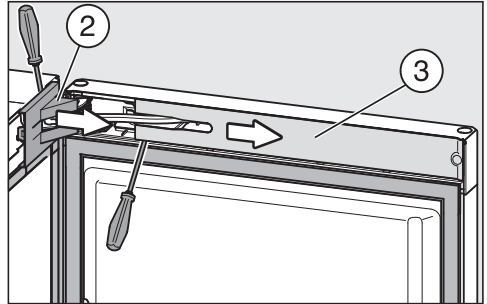
- Switch off at the wall and remove the plug from the socket, or disconnect the fuse.

### - Removing the soft-close mechanism

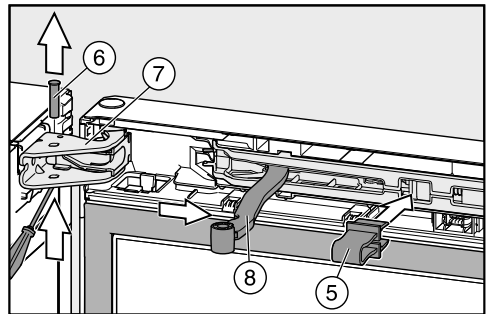
- Open the appliance door.



- Push off the right outer cover ①.



- Remove the cover ② from the door hinge and the cover ③ from the soft-close mechanism.

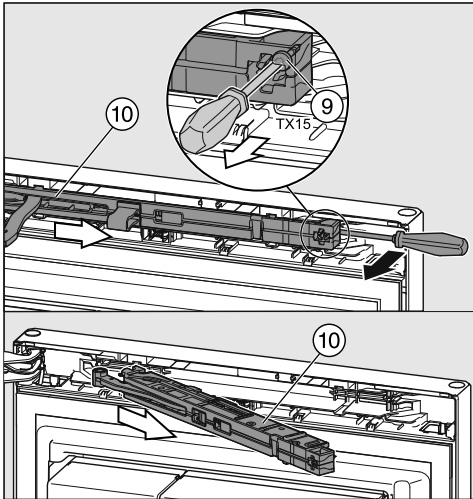


- Click the red safety device ⑤ (supplied with the refrigeration appliance) into place in the opening.

The safety device prevents the soft-close mechanism and the hinge plate from snapping shut.

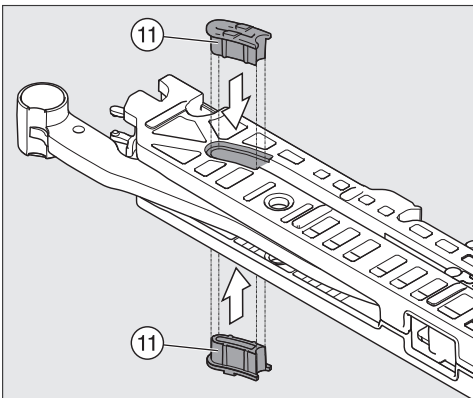
Do not remove the red safety device until instructed to do so.

- Push the pin ⑥ out of the door hinge ⑦ and remove it.
- Move the hinged arm ⑧ of the soft-close mechanism away from the door hinge.



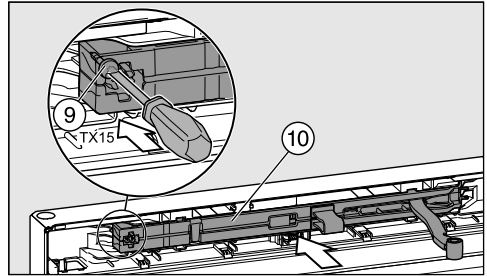
- Undo and remove the screw ⑨ on the soft-close mechanism ⑩ and insert a screwdriver behind the soft-close mechanism.
- Remove the soft-close mechanism ⑩.

## - Fitting the door opening angle limiter

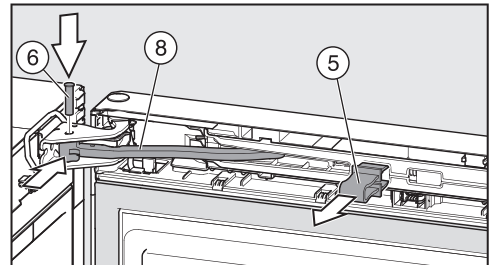


- Press a door opening angle limiter ⑪ in from above and below as shown.

## - Fitting the soft-close mechanism



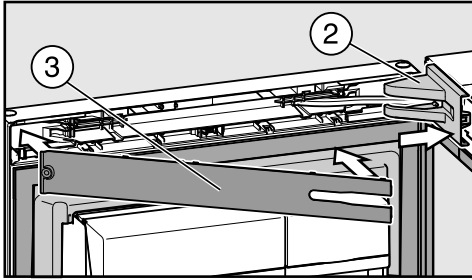
- Insert the soft-close mechanism ⑩ on the door hinge side (at an angle initially) so that it clicks into position.
- Then press the other end of the soft-close mechanism into the opening.
- Secure the soft-close mechanism with the screw ⑨.



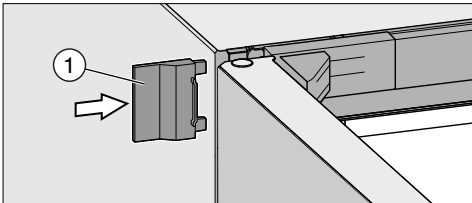
- Push the hinged arm ⑧ into the opening on the door hinge.
- Insert the pin ⑥ into the door hinge from above. Turn this with a screwdriver (by approx. ¼ turn) until both lugs on the pin click into position correctly in the grooves.
- Pull out the red safety device ⑤.

**Tip:** Keep the red safety device in case you want to change the door hinging again at a later date.

# Installation



- Fit the cover ② on the door hinge.
- Fit the panel ③ so that it clicks into position.



- Push on the outer cover ①.
- Close the appliance door.

## Installing the refrigeration appliance

⚠ Danger of injury and damage due to the refrigeration appliance tipping over.

There is an increased danger of injury and damage if the refrigeration appliance is installed by a single person.

Two people are required for installing the refrigeration appliance.

⚠ Risk of damaging the floor.

Moving the refrigeration appliance can cause damage to the floor.

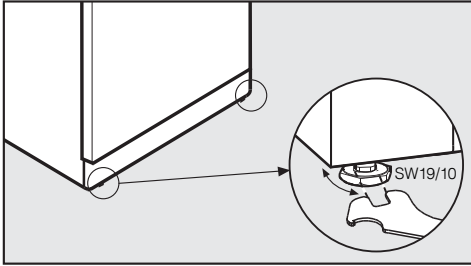
Move the refrigeration appliance carefully on floors that are sensitive to scratching.

For easier installation, there are transport handles on the back at the top and transport wheels underneath the refrigeration appliance.

**Tip:** The refrigeration appliance must be empty when it is installed.

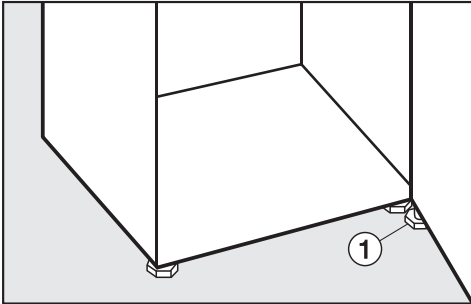
- Prepare the refrigeration appliance for installation as close as possible to its intended installation site.
- Connect the refrigeration appliance to the electricity supply as described in “Electrical connection”.
- Move the refrigeration appliance carefully to its intended installation site.
- Position the refrigeration appliance with the wall spacers (if used) or the back close to the wall.

## Aligning the appliance



- To align the appliance, adjust the front feet using the spanner supplied.

## Levelling the appliance door



- **Ensure** that you unscrew the adjustable foot ① from the lower hinge plate with the enclosed spanner until it sits on the floor. Then unscrew the foot by a further ¼ turn.

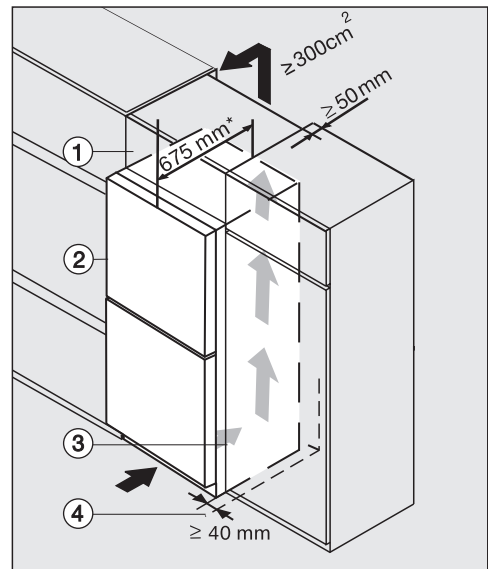
## Installing the refrigeration appliance in a run of kitchen units

⚠ Risk of fire and damage due to insufficient ventilation.

If the refrigeration appliance is not ventilated sufficiently, the compressor will run more frequently and for longer periods. This will result in increased energy consumption and a higher operating temperature for the compressor. This may, in turn, cause damage to the compressor.

Please ensure that there is adequate ventilation around the refrigeration appliance.

It is essential to observe the required ventilation gaps. The ventilation gaps must not be covered or blocked in any way.



- ① Top box
- ② Refrigeration appliance
- ③ Housing unit
- ④ Wall

# Installation

---

\* The appliance depth is increased by approx. 15 mm for refrigeration appliances with wall spacers fitted.

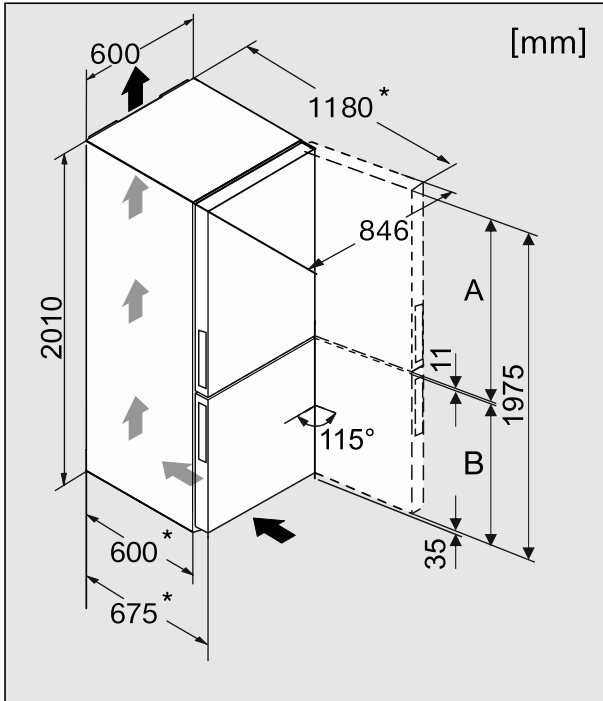
The refrigeration appliance can be built into any run of kitchen units and installed directly next to a kitchen furniture housing unit. The appliance front must protrude in front of furniture fronts by at least 65 mm. This enables the appliance door to be opened and shut without being obstructed. To match the height of the rest of the kitchen units, the refrigeration appliance can be fitted with a suitable top box ①.

When installed next to a wall ④, a distance of at least 40 mm must be maintained on the hinge side between the wall ④ and the refrigeration appliance ②.

The larger the ventilation gap, the more economically the compressor will work.

- A ventilation gap of at least 50 mm depth must be provided at the back of the refrigeration appliance behind the whole width of the top box for air to circulate.
- The ventilation gap under the ceiling must be at least 300 cm<sup>2</sup> to ensure that warm air can escape without obstruction.

## Appliance dimensions



\* Dimensions without wall spacers. Appliance depth is increased by 15 mm with the wall spacers supplied fitted.

	<b>A</b> [mm]	<b>B</b> [mm]
<b>KFN 29493 DE edt/cs</b>	1177	787

# Installation

## Changing the door hinging

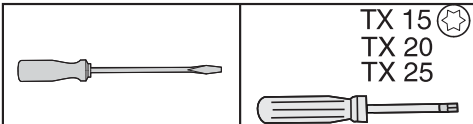
The refrigeration appliance is supplied with hinges on the right. If left-hand hinging is required, the hinges must be changed.

**⚠** Always change the door hinging with the assistance of another person.

If the door seal is damaged or has slipped out of its groove, the door will not close properly and cooling performance will be reduced. Condensate will build up in the interior and this can cause a build-up of ice. Do not damage the door seal and ensure it does not slip out of its groove.

## Preparing to change the door hinging

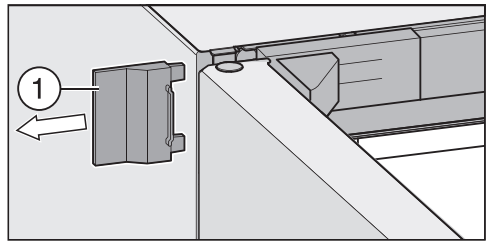
To change the door hinging, you will need the following tools:



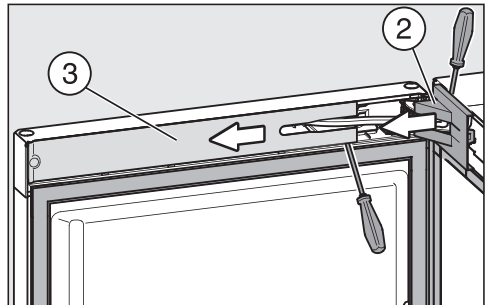
- Place a suitable cover on the floor in front of the appliance to protect the appliance doors and your floor from damage.
- Remove the shelves/bottle shelf from the appliance door.

## Removing the top covers

- Open the appliance door.

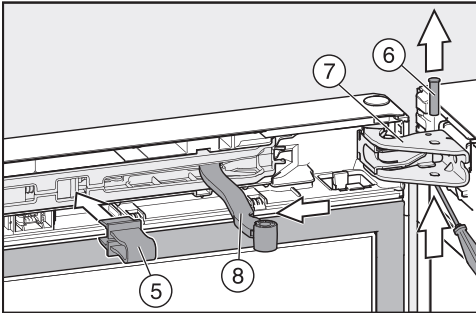


- Push off the right outer cover ①.



- Remove the cover ② from the door hinge and the cover ③ from the soft-close mechanism.

## Removing the soft-close mechanism

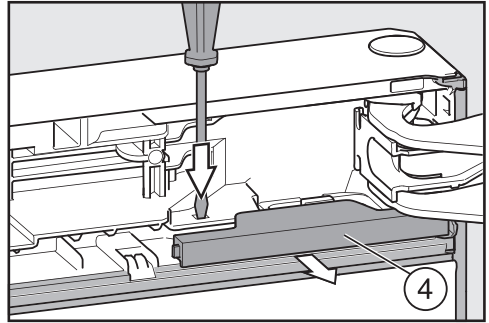


- Click the red safety device ⑤ (supplied with the refrigeration appliance) into place in the opening.

The safety device prevents the soft-close mechanism and the hinge plate from snapping shut.

Do not remove the red safety device until instructed to do so.

- Push the pin ⑥ out of the door hinge ⑦ and remove it.
- Move the hinged arm ⑧ of the soft-close mechanism away from the door hinge.



- Use a flat-head screwdriver to push the tab down and pull the cover ④ out of the coupling.

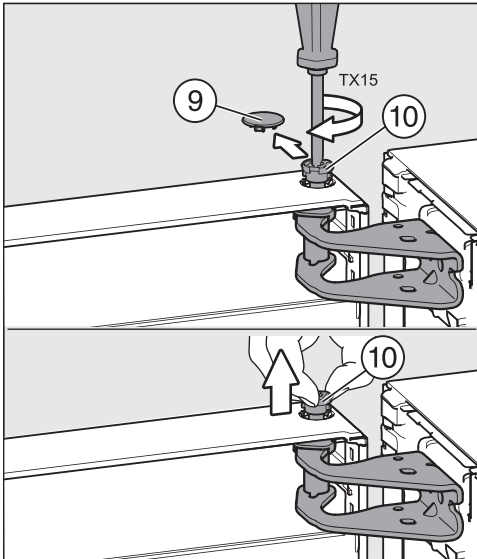
# Installation

## Removing the upper appliance door

**⚠** Danger of injury when removing the upper appliance door.

The upper appliance door is not secure as soon as the pin has been removed from the door hinge. Hold the upper appliance door firmly.

- Lift the upper appliance door off and place it carefully to one side.



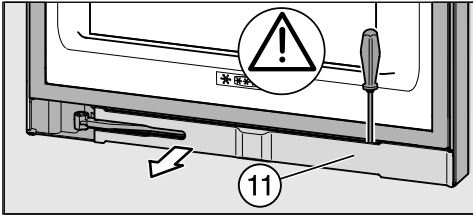
- Carefully pull off the safety cover ⑨.
- Loosen the pin ⑩ slightly (approx. ¼ turn) until it clicks.
- Now use your fingers to pull the pin ⑩ right out.

**⚠** Danger of injury when removing the upper appliance door.

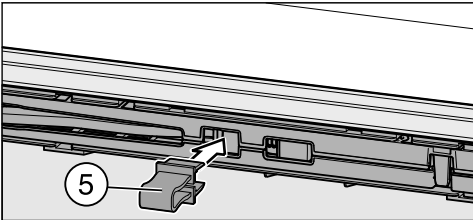
As soon as the hinge pin is located in the upper appliance door rather than in the middle hinge plate, the lower door is not secured and could fall off. Ensure that the hinge pin remains located in the middle hinge plate and in the lower appliance door.

## Removing the lower soft-close mechanism

- Open the lower appliance door.



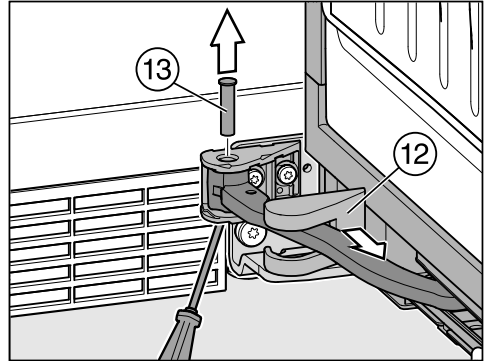
- Remove the panel (11).



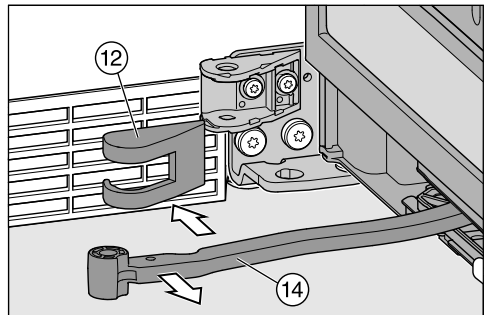
- Click the red safety device (5) (supplied with the refrigeration appliance) into place in the opening.

The safety device prevents the soft-close mechanism and the hinge plate from snapping shut.

Do not remove the red safety device until instructed to do so.




- Pull off the cover (12) and push the soft-close mechanism along until the hinge plate is accessible.
- Push out the pin (13) on the hinge plate from below and remove it.



- Move the hinged arm (14) of the soft-close mechanism away from the hinge plate and remove cover (12).

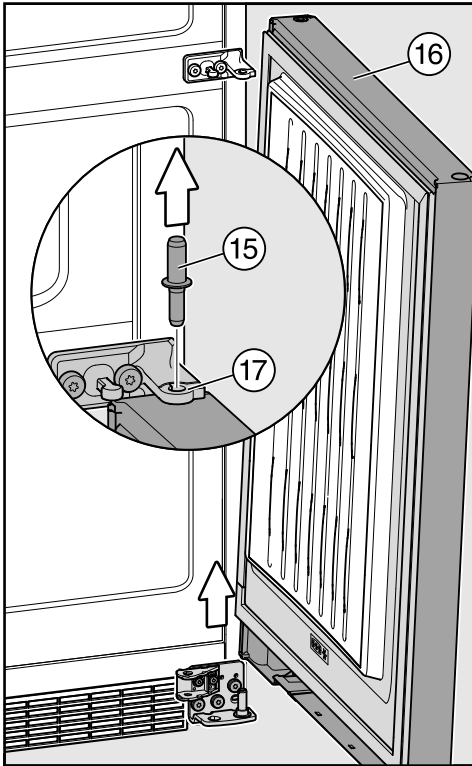
## Removing the lower door

 Danger of injury when removing the lower door.

As soon as the hinge pin is removed from the lower door in the following instructions, the door is no longer secured.

Hold the lower door firmly.

# Installation

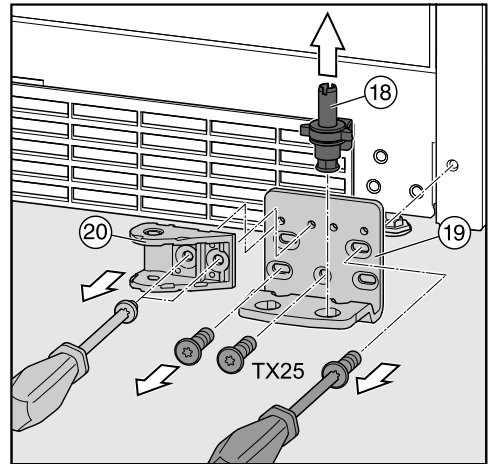


- Remove hinge pin ⑮ from the bearing bush in lower door ⑯.

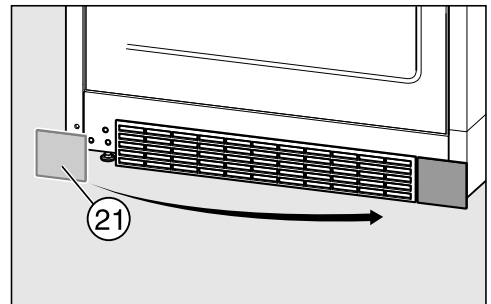
**Tip:** Please note that the grey plastic cover ⑰ on the middle hinge plate can fall off when the door is being removed.

- Lift lower door ⑯ off and put it down carefully.

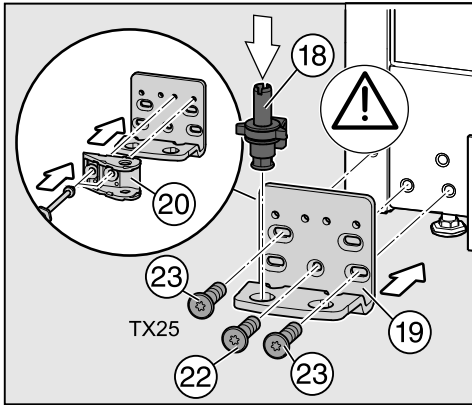
## Changing the lower hinge plate over



- Pull hinge pin ⑱ complete with washer and adjusting foot upwards to remove.
- Unscrew hinge plate ⑲.
- Unscrew holder ⑳ for the soft-close mechanism.



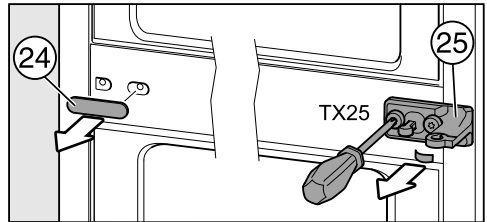
- Remove cover ㉑ and refit on the opposite side.



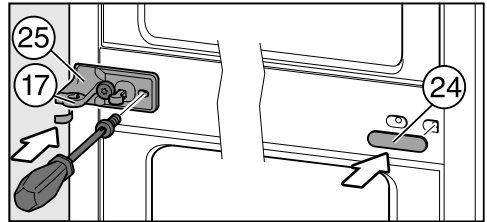
- Turn holder ⑳ through 180°, and screw it into position in the two opposite slots in the hinge plate.
- Secure hinge plate ⑲ on the opposite side, starting with screw ㉒ in the middle at the bottom.
- Then screw in the other two screws ㉓.
- Reinsert hinge pin ⑱ complete with washer and adjustable foot.

The lug on the hinge pin must point to the back again.

## Changing the middle hinge plate over



- Pull off cover ⑳.
- Unscrew hinge plate ㉕ with the protective film underneath.



- Turn hinge plate ㉕ through 180° and screw it with the protective film into position on the opposite side.

The protective film protects the appliance housing from damage.

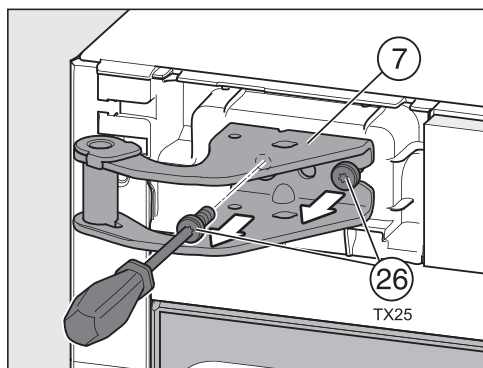
- Turn grey plastic cover ㉗ through 180° and refit it in the hinge plate.

**Tip:** Plastic cover ㉗ fits over the protruding bearing bush so that this is covered from underneath and from the side.

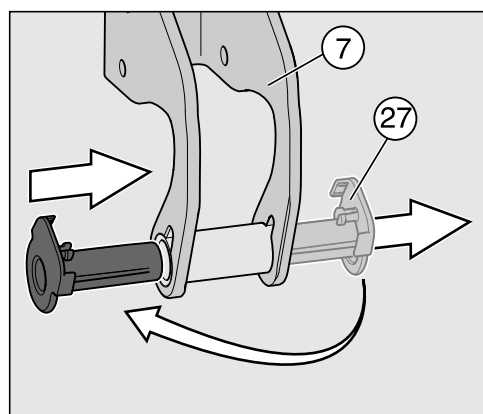
- Turn cover ㉔ through 180° and refit it on the opposite side.

# Installation

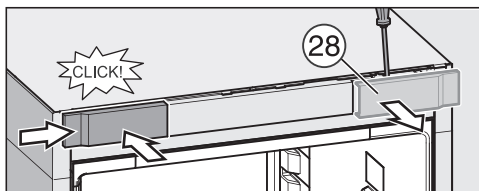
## Changing the upper door hinge over



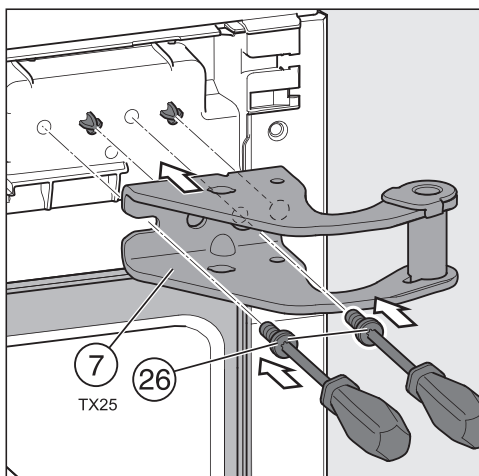
- Unscrew the screws 26 on the door hinge 7 and remove it.



- Pull the bearing bush 27 out of the guide on the door hinge 7 and refit it on the opposite side.



- Slide the cover 28 off to the side.
- Turn the cover 180° and refit it on the opposite side. Push on the cover from the side and click it into position.

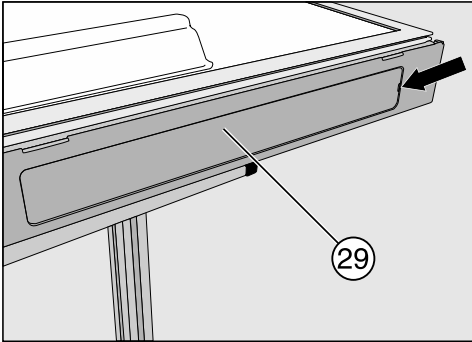


- Fit the upper door hinge 7 onto the pins on the refrigeration appliance.
- Secure the door hinge 7 with the screws 26.

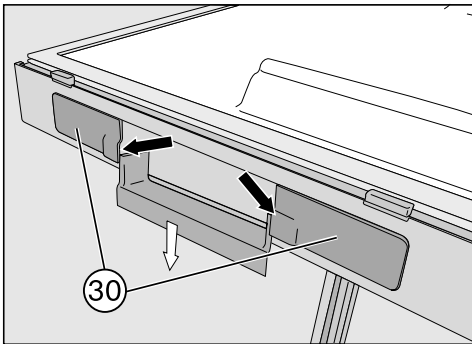
## Preparing the appliance door

**Tip:** Spread a suitable cover over a stable surface to protect the appliance door from damage. Place the appliance door on it with the outside facing down.

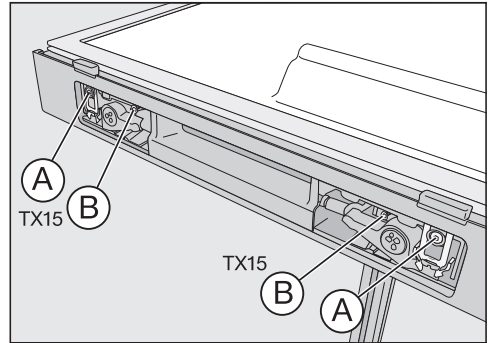
## Change the door opening aid over



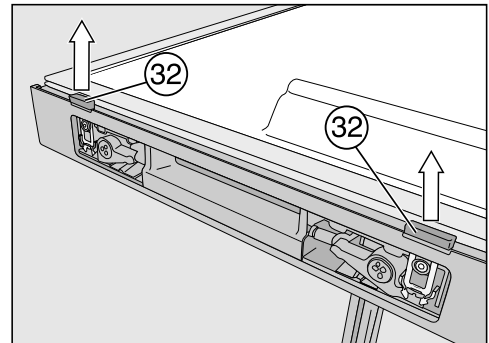
- Remove cover 29 from the opening for the recessed handle.



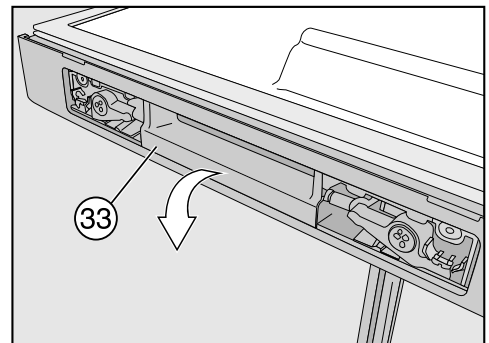
- Remove the covers 30 on the right and left of the recessed handle.



- Fully unscrew the screw with the grey plastic collar A and the screw without the collar B.

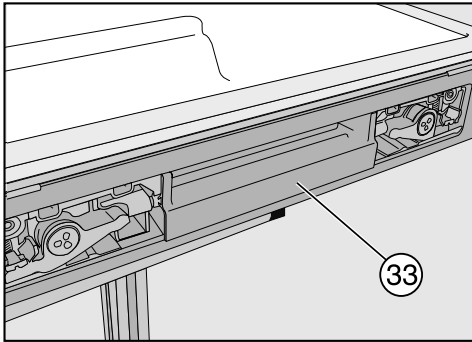


- Pull the door opening sliders 32 firmly upwards to remove them.

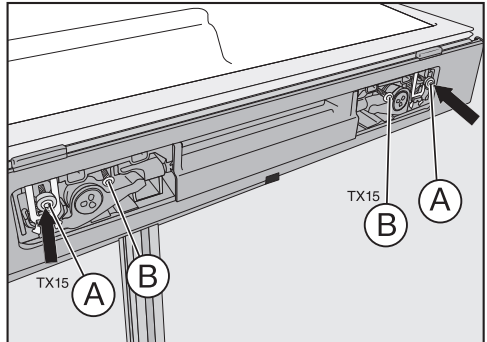


- Remove the door opening aid 33.

# Installation



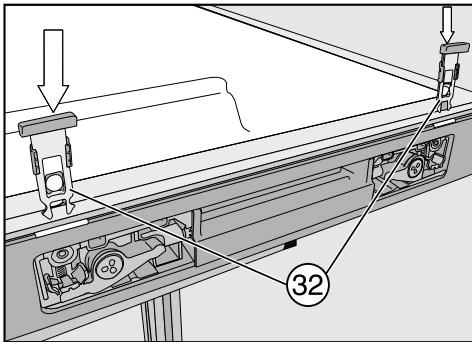
- Refit door opening aid (33) on the opposite side.



- Secure the door opening aid using the screw with the plastic collar (A) and the screw without a plastic collar (B). Do not overtighten the screws!

**Tip:** Check whether the door opening aid moves easily by pressing it. If it does not move freely, the screws should be loosened slightly.

- Fit covers (29) and (30).

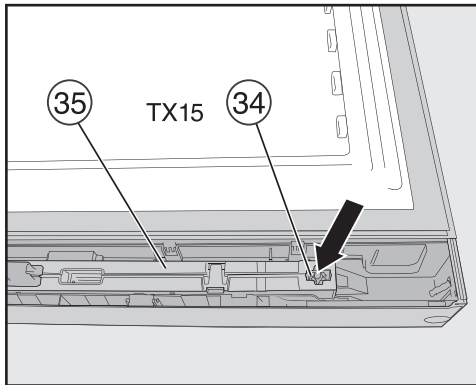


- Push door opening slider (32) through the slots until it clicks into position.

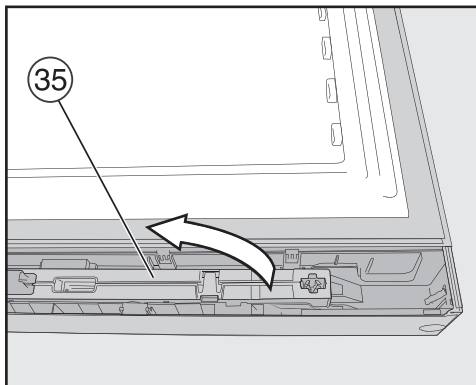
The flush side of the door opening slider must face the door seal. The plastic lug on the slider must not abut the door seal but must point towards the outer edge of the door.

## Changing the soft-close mechanism over

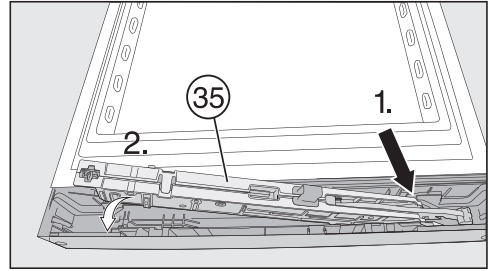
If you want to limit the door opening angle to approx. 90° you need to fit the door opening angle limiter supplied before refitting the soft-close mechanism (see “Installation – Fitting the appliance door opening angle limiter”).



- Undo and remove the screw (34) on the soft-close mechanism (35) and insert a screwdriver behind the soft-close mechanism.

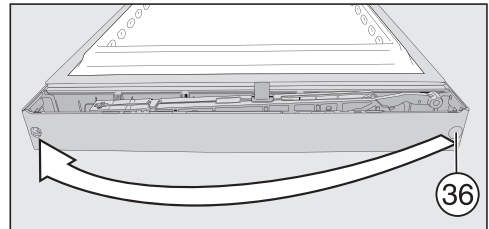


- Remove the soft-close mechanism (35) and turn it 180°.



- Insert the soft-close mechanism (35) on the door hinge side (at an angle initially) so that it clicks into position.
- Then press the other end of the soft-close mechanism into the opening.
- Secure the soft-close mechanism with the screw (34).

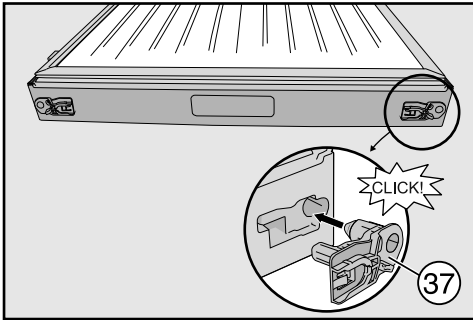
## Changing over the bearing bush stopper



- Pull the stopper out of the door bearing bush (36) and replace it on the opposite side.

# Installation

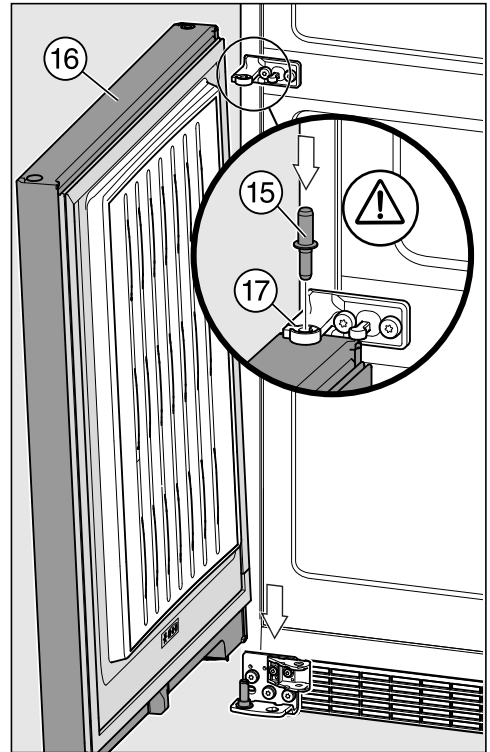
## Fit the bearing bush supplied into the upper appliance door



- Fit the bearing bush ③⑦ (supplied with the appliance) in the opening on the lower edge of the appliance door.
- Remove the bearing bush from the opposite side.

**Tip:** Keep the bearing bush in case you want to change over the door hinging again at a later date.

## Refitting the lower door

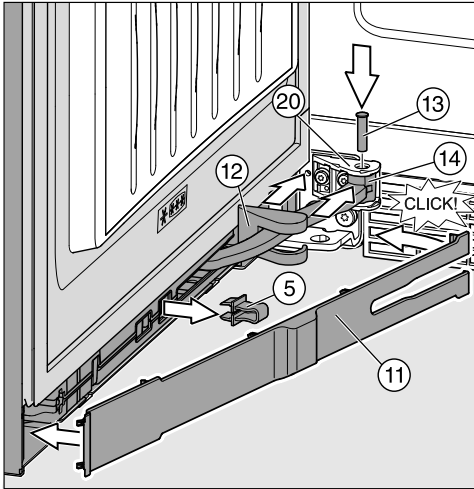


- Place door ①⑥ onto the hinge pin from above.
- Insert middle hinge pin ①⑤ through middle hinge plate ①⑦ into the bearing bush of the lower appliance door.

**Important.** The lug on the hinge pin must point to the back again.

## Securing the lower soft-close mechanism

- Open the lower door.



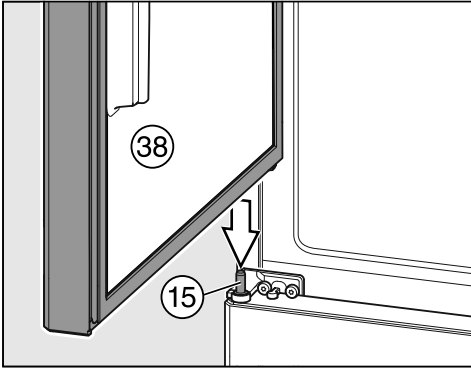
- Pull cover (12) along hinged arm (14) on the soft-close mechanism.
- Open the door 90°.
- Push hinged arm (14) into the opening on holder (20).
- Insert pin (13) into the hinge plate from above. Turn this with a screwdriver (approx. 1/4 turn) until both lugs on the pin click into position correctly in the grooves.
- Push cover (12) further along hinged arm (14) on the soft-close mechanism until it locks into position on the holder for the soft-close mechanism.
- Pull out red safety aid (5).

**Tip:** Keep the red safety aid in case you want to change over the door hinging again at a later date.

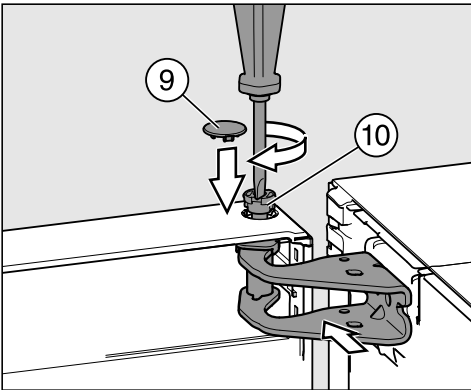
- Insert panel (11) on the opposite side from the door hinge (at an angle initially) and then click it into position.
- Close the appliance door.

# Installation

## Refitting the upper door



- Place upper door ③⑧ onto middle hinge pin ①⑤ and guide the upper opening on the hinge side of the door onto the door hinge with the bearing bush.

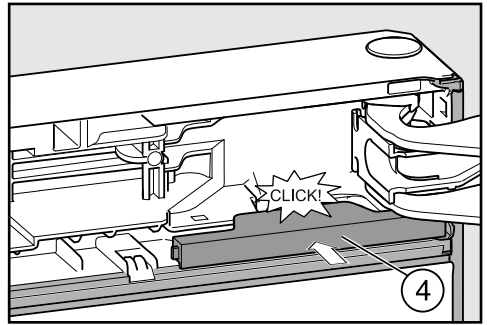


- Use your fingers to insert pin ⑩ into the door bearing bush.
- Screw in pin ⑩ (by approx. ¼ turn) until it clicks into position.
- Fit safety cover ⑨ on to the pin.

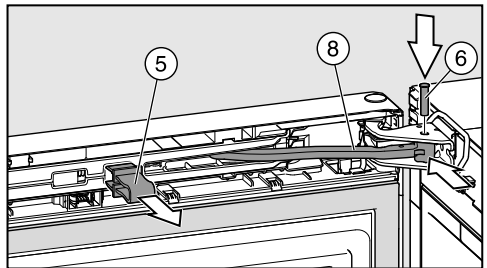
The appliance door is not secure until safety cover ⑨ has been correctly fitted.

## Securing the soft-close mechanism

- Open the appliance door 90°.



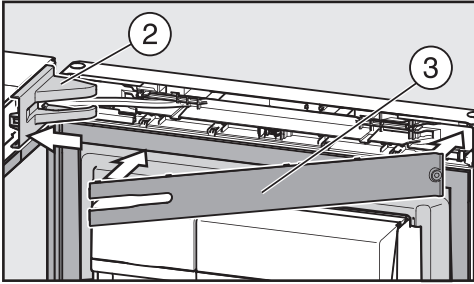
- Push on the cover ④ until it clicks into position.



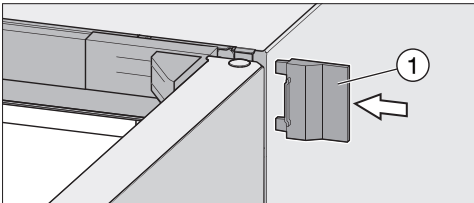
- Push the hinged arm ⑧ into the opening on the door hinge.
- Insert the pin ⑥ into the door hinge from above. Turn this with a screwdriver (by approx. ¼ turn) until both latches on the pin click into position correctly in the grooves.
- Pull out the red safety device ⑤.

**Tip:** Keep the red safety device in case you want to change the door hinging again at a later date.

## Fitting the upper covers



- Fit the cover ② on the door hinge.
- Fit the panel ③ so that it clicks into position.



- Push on the outer cover ①.
- Close the appliance door.

## Aligning the appliance doors

The appliance doors can be aligned with the appliance housing after they have been fitted.

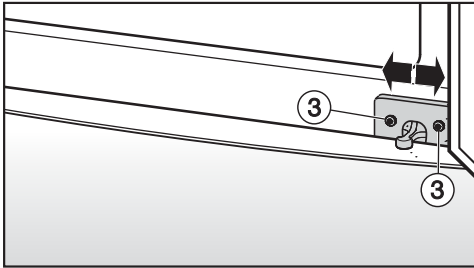
In the following illustration the door is not shown in the closed position to make it easier to see what you have to do.

To align the lower door use the long outer slots in the lower hinge plate:

- Remove centre screw ① from the hinge plate.
- Slightly loosen both outer screws ②.
- Align the door by sliding the hinge plate to the left or right.
- Then tighten screws ② again. Screw ① does not need to be refitted.

# Installation

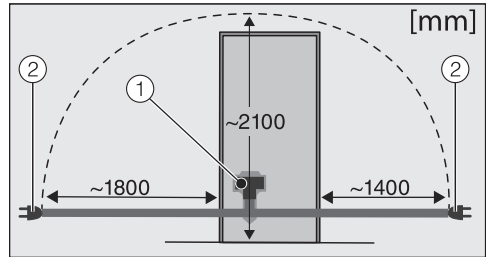
Align the upper door using the long outer slots in the middle hinge plate:



- Slightly loosen both screws ③.
- Align the door by sliding the hinge plate to the left or right.
- Then tighten screws ③.

## Electrical connection

The refrigeration appliance must only be connected to an earthed socket using the connection cable supplied.




- ① Appliance plug connector
- ② Mains plug

A longer connection cable is available to order from the Miele Customer Service Department.

The socket must be easily accessible after the refrigeration appliance has been installed. If the socket is not easily accessible, ensure that a suitable means of disconnection is provided on the installation side for each pole.

**⚠ Risk of fire from overheating.**  
Connecting the refrigeration appliance to a multi-socket plug adapter or to an extension lead can overload the cable.  
For safety reasons, do not use an extension lead or multi-socket adapter.

The electrical installation must comply with VDE 0100 requirements.

For safety reasons, we recommend using a type A  residual current device (RCD) in the assigned electrical installation for connecting the refrigeration appliance.

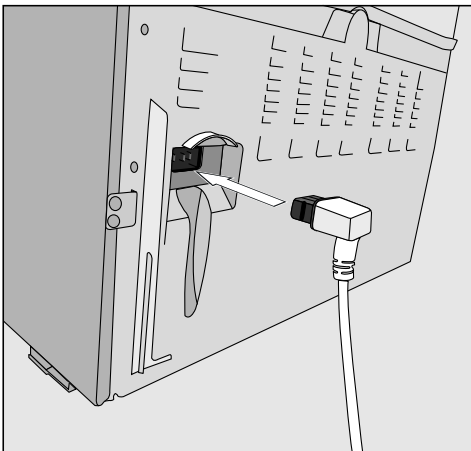
If the mains connection cable is damaged, it must only be replaced with a specific mains connection cable of the same type (available from the Miele Customer Service Department). For safety reasons, such replacement may only be carried out by a qualified specialist or the Miele Customer Service Department.

These operating instructions and the data plate indicate the nominal power consumption and the appropriate fuse rating. Compare this information with the data of the on-site electrical connection.

If in any doubt, consult a qualified electrician.

Do not connect the refrigeration appliance to a stand-alone inverter such as those used with an autonomous energy source, e.g. solar power. When the refrigeration appliance is switched on, power surges could result in an auto switch-off. This could damage the electronic module.

## Connecting the appliance



- Insert the plug connector into the socket at the back of the refrigeration appliance.

Make sure that the plug connector has clicked into position correctly.

- Insert the mains plug into the mains socket and switch on.

The appliance is now connected to the electricity supply:

⏻ will appear on the display. Follow the steps described in “Switching on and off – Switching on”.



## United Kingdom

Miele Co. Ltd., Fairacres, Marcham Road, Abingdon, Oxon, OX14 1TW

Tel: 0330 160 6600, Internet: [www.miele.co.uk/service](http://www.miele.co.uk/service), E-mail: [info@miele.co.uk](mailto:info@miele.co.uk)

### Australia

Miele Australia Pty. Ltd.

ACN 005 635 398

ABN 96 005 635 398

1 Gilbert Park Drive

Knoxfield, VIC 3180

Tel: 1300 464 353

Internet: [www.miele.com.au](http://www.miele.com.au)

### China Mainland

Miele Electrical Appliances Co., Ltd.

1-3 Floor, No. 82 Shi Men Yi Road  
Jing' an District

200040 Shanghai, PRC

Tel: +86 21 6157 3500

Fax: +86 21 6157 3511

E-mail: [info@miele.cn](mailto:info@miele.cn),

Internet: [www.miele.cn](http://www.miele.cn)

### Hong Kong, China

Miele (Hong Kong) Ltd.

41/F - 4101, Manhattan Place

23 Wang Tai Road

Kowloon Bay, Hong Kong

Tel: (852) 2610 1025

Fax: (852) 3579 1404

Email:

[customerservices@miele.com.hk](mailto:customerservices@miele.com.hk)

Website: [www.miele.hk](http://www.miele.hk)

### India

Miele India Pvt. Ltd.

1st Floor, Copia Corporate Suites,  
Commercial Plot 9,

Mathura Road, Jasola,

New Delhi - 110025

E-mail: [customercare@miele.in](mailto:customercare@miele.in)

Website: [www.miele.in](http://www.miele.in)

### Ireland

Miele Ireland Ltd.

2024 Bianconi Avenue

Citywest Business Campus

Dublin 24

Tel: (01) 461 07 10

Fax: (01) 461 07 97

E-Mail: [info@miele.ie](mailto:info@miele.ie)

Internet: [www.miele.ie](http://www.miele.ie)

### Malaysia

Miele Sdn Bhd

Suite 12-2, Level 12

Menara Sapura Kencana

Petroleum

Solaris Dutamas No. 1

Jalan Dutamas 1

50480 Kuala Lumpur, Malaysia

Phone: +603-6209-0288

Fax: +603-6205-3768

### New Zealand

Miele New Zealand Limited

IRD 98 463 631

8 College Hill

Freemans Bay, Auckland 1011

New Zealand

Tel: 0800 464 353

Internet: [www.miele.co.nz](http://www.miele.co.nz)

### Singapore

Miele Pte. Ltd.

29 Media Circle

#11-04 ALICE@Mediapolis

Singapore 138565

sTel: +65 6735 1191

Fax: +65 6735 1161

E-Mail: [info@miele.com.sg](mailto:info@miele.com.sg)

Internet: [www.miele.sg](http://www.miele.sg)

### South Africa

Miele (Pty) Ltd.

63 Peter Place

Bryanston 2194

P.O. Box 69434

Bryanston 2021

Tel: (011) 875 9000

Fax: (011) 875 9035

E-mail: [info@miele.co.za](mailto:info@miele.co.za)

Internet: [www.miele.co.za](http://www.miele.co.za)

### Thailand

Miele Appliances Ltd.

BHIRAJ TOWER at EmQuartier

43rd Floor Unit 4301-4303

689 Sukhumvit Road

North Klongton Sub-District

Vadhana District

Bangkok 10110, Thailand

### United Arab Emirates

Miele Appliances Ltd.

Showroom 1

Eiffel 1 Building

Sheikh Zayed Road, Umm Al Sheif

P.O. Box 114782 - Dubai

Tel. +971 4 3044 999

Fax. +971 4 3418 852

800-MIELE (64353)

E-Mail: [info@miele.ae](mailto:info@miele.ae)

Website: [www.miele.ae](http://www.miele.ae)

**Manufacturer:** Miele & Cie. KG, Carl-Miele-Straße 29, 33332 Gütersloh, Germany

KFN 29493 DE edt/cs

en-GB

M.-Nr. 11 000 000 / 03