



Installation Instructions

Full Size Tumble Action Washers

Instrucciones para la instalación

Lavadora de acción giratoria de tamaño grande

Before beginning installation, carefully read these instructions. This will simplify the installation and ensure the washer is installed correctly and safely. Leave these instructions near the washer after installation for future reference.

NOTE: The electrical service to the washer must conform with local codes and ordinances and the latest edition of the National Electrical Code, ANSI/NFPA 70.

Antes de comenzar la instalación, lea estas instrucciones con atención. Le facilitarán la instalación y asegurarán que la lavadora sea instalada correctamente y de manera segura. Guarde estas instrucciones cerca de la lavadora una vez terminada la instalación para referirse a ellas en el futuro.

NOTA: el suministro eléctrico de su lavadora debe estar conforme con los códigos y ordenanzas locales y la edición más reciente del National Electrical Code (Código Eléctrico Nacional), ANSI/NFPA 70.

Contents

<u>SUBJECT</u>	<u>PAGE</u>
Product Registration.....	2
Important Safety Instructions.....	2
Pre-Installation Requirements.....	3
Electrical Requirements.....	3
Grounding Requirements.....	3
Water Supply Requirements.....	3
Drain Requirements.....	3
Rough-In Dimensions.....	4
Location Of Your Washer.....	5
Unpacking.....	5
Installation.....	6
Replacement Parts.....	6
Registro del producto.....	7
Instrucciones importantes de seguridad.....	7-8
Requisitos antes de la instalación.....	9
Requisitos eléctricos.....	9
Requisitos para la toma de tierra.....	9
Requisitos para el suministro de agua.....	9
Requisitos para el drenaje.....	9
Dimensiones para la instalación.....	10
Ubicación de su lavadora.....	11
Desempaque.....	11
Instalación.....	12
Piezas de repuesto.....	12

⚠ WARNING For your safety the information in this manual must be followed to minimize the risk of

fire or explosion or to prevent property damage, personal injury or loss of life.

- Do not store or use gasoline or other flammable vapors and liquid in the vicinity of this or any other appliance.
- **WHAT TO DO IF YOU SMELL GAS**
 - Do not try to light any appliance.
 - Do not touch any electrical switch; do not use any phone in your building.
 - Clear the room, building or area of all occupants.
 - Immediately call your gas supplier from a neighbor's phone. Follow the gas suppliers instructions.
 - If you cannot reach your gas supplier, call the fire department.

Installation and service must be performed by a qualified installer, service agency or the gas supplier.

⚠ ADVERTENCIA Para su seguridad, siga la información contenida en este manual para minimizar el riesgo de incendio o explosión o para evitar daños materiales, lesiones personales o la muerte.

- No guarde ni utilice gasolina u otros vapores y líquidos inflamables en las cercanías de este ni cualquier otro electrodoméstico.

- **QUE HACER SI NOTA UN OLOR A GAS:**
 - No trate de encender ningún electrodoméstico.
 - No toque ningún interruptor eléctrico; no use ningún teléfono de su edificio.
 - Haga que todo el mundo salga del cuarto, edificio o área.
 - Llame inmediatamente al proveedor del gas desde el teléfono de un vecino. Siga las instrucciones del proveedor del gas.
 - Si no puede ponerse en contacto con el proveedor del gas, llame a los bomberos.

La instalación y el servicio deben ser hechos por un instalador capacitado, una agencia de servicios o el proveedor del gas.

**Sears, Roebuck and Co.,
Hoffman Estates, IL 60179 U.S.A.**



Your washer is equipped with a door safety interlock. Verify proper operation of interlock system daily, using the following procedure:

1. With the washer door open, insert the required number of coins (or the appropriate card, on machines equipped with a card-start system) and press the START button. **THE WASHER MUST NOT START!**
2. Close the washer door. Press the START button again to start the machine. Attempt to open the door, without exerting excessive force. **THE DOOR MUST NOT OPEN!**

IF THE WASHER STARTS WITH THE DOOR OPEN, OR THE DOOR CAN BE OPENED WHILE THE WASHER IS OPERATING, THE MACHINE MUST IMMEDIATELY BE TAKEN OUT OF SERVICE. DISCONNECT THE POWER CORD, AND MARK THE MACHINE "OUT OF ORDER", UNTIL THE INTERLOCK SYSTEM IS REPAIRED, AND OPERATES AS DESCRIBED ABOVE.



As an ENERGY STAR® Partner, Electrolux Home Products has determined that this product meets the ENERGY STAR® guidelines for energy efficiency.

Note: The instructions appearing in this INSTALLATION AND SAFETY INSTRUCTIONS manual are not meant to cover every possible condition and situation that may occur. Common sense and caution must be practiced when installing, operating and maintaining any appliance.

FOR YOUR SAFETY
Do not store or use gasoline or other flammable vapors or liquids in the vicinity of this or any other appliance.

Product Registration

Thank you for choosing this washer. Record Your Model and Serial Numbers

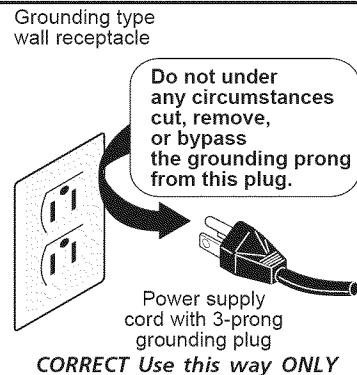
Record below the model and serial numbers found on the washer serial plate located on the underside of the washer lid. Keep these numbers for future reference.

Model _____
Number _____
Serial _____
Number _____
Date _____
of Purchase _____

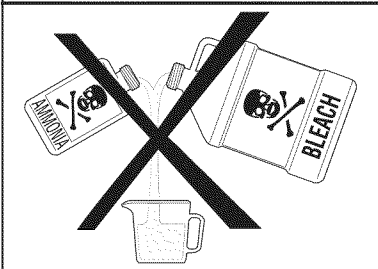
Register Your Product

The self-addressed **PRODUCT REGISTRATION CARD** should be filled in completely, signed and returned.

⚠ WARNING Avoid fire hazard or electrical shock. Do not use an adaptor plug or extension cord or remove grounding prong from electrical power cord. Failure to follow this warning can cause serious injury, fire or death.



⚠ WARNING Do not use or mix liquid chlorine bleach with other household chemicals such as toilet cleaners, rust removers, acid or products containing ammonia. These mixtures can produce dangerous fumes which can cause serious injury or death.



Important Safety Instructions

Read all instructions before using this washer.

SAVE THESE INSTRUCTIONS

⚠ WARNING To reduce the risk of fire, electrical shock, or injury to persons when using this washer, comply with the basic warnings listed below.

⚠ WARNING Failure to comply with these warnings could result in serious personal injuries.
Prevent Fire

⚠ WARNING Do not wash items that have been previously cleaned in, soaked in, or spotted with gasoline, cleaning solvents, kerosene, cooking oils, waxes, etc. Do not store these items on or near the washer. These substances give off vapors or chemical reactions that could ignite or explode.

⚠ WARNING Do not put oily or greasy rags or clothing on top of the washer. These substances give off vapors that could ignite the materials.

⚠ WARNING Do not add gasoline, cleaning solvents, or other flammable or explosive substances to the wash water. These substances give off vapors that could ignite or explode.

⚠ WARNING Under certain conditions, hydrogen gas may be produced in a hot water system that has not been used for 2 weeks or more. **HYDROGEN GAS IS EXPLOSIVE.** If the hot water system has not been used for such a period, before using the washer, turn on all hot water faucets and let the water flow from each for several minutes. This will release any accumulated hydrogen gas. Hydrogen gas is flammable; do not smoke or use an open flame during this time.

⚠ WARNING Failure to comply with these warnings could result in fire, explosion, serious bodily injury and/or damage to the rubber or plastic parts of the washer.

Protect Children

⚠ WARNING Do not allow children to play on or in the washer. Close supervision of children is necessary when the washer is used near children. As children grow, teach them the proper, safe use of all appliances.

⚠ WARNING Destroy the carton, plastic bag and other packing materials after the washer is unpacked. Children might use them for play. Cartons covered with rugs, bedspreads or plastic sheets can become airtight chambers.

⚠ WARNING Keep laundry products out of children's reach. To prevent personal injury, observe all warnings on product labels.

⚠ WARNING Before the washer is removed from service or discarded, remove the washer lid to prevent accidental entrapment.

⚠ WARNING Failure to comply with these warnings could result in serious personal injuries.

Prevent Injury

⚠ WARNING Test door interlock system daily. Follow instructions on previous page.

⚠ WARNING To prevent shock hazard and assure stability during operation, the washer must be installed and electrically grounded by a qualified service person in accordance with local codes. Refer to INSTALLATION AND SAFETY INSTRUCTIONS for detailed grounding procedures. If the washer is moved to a new location, have it checked and reinstalled by a qualified service person.

⚠ WARNING To prevent personal injury or damage to the washer, the electrical power cord of the washer must be plugged into a properly grounded and polarized 3-prong outlet. **The third grounding prong must never be removed. Never ground the washer to a gas pipe. Do not use an extension cord or an adaptor plug.**

⚠ WARNING Follow package directions when using laundry products. Incorrect usage can produce poisonous gas—resulting in serious injury or death.

- Do not combine laundry products for use in 1 load unless specified on the label.
- Do not mix chlorine bleach with ammonia or acids such as vinegar.

⚠ WARNING To prevent serious personal injury and damage to the washer:

- All repairs and servicing must be performed by an authorized servicer unless specifically recommended in this INSTALLATION AND SAFETY INSTRUCTIONS manual. Use only authorized factory parts.
- Do not tamper with controls.
- Do not install or store the washer where it will be exposed to the weather.

⚠ WARNING To reduce the risk of electric shock, disconnect this appliance from the power supply before attempting any user maintenance. Turning the controls to the OFF position does not disconnect this appliance from the power supply.

⚠ WARNING To prevent injury, do not reach into the washer while parts are moving. Before loading, unloading or adding items, push in the cycle selector knob and allow the tub to coast to a complete stop before reaching inside.

⚠ WARNING Failure to comply with these warnings could result in serious personal injuries.

⚠ WARNING This washer is equipped with an electrical overload protector. The motor will stop if it becomes overheated. The washer will automatically restart after a cool down period of up to 30 minutes, if the washer has not been manually turned off during this time.



PRE-INSTALLATION REQUIREMENTS

Tools Required for Installation:

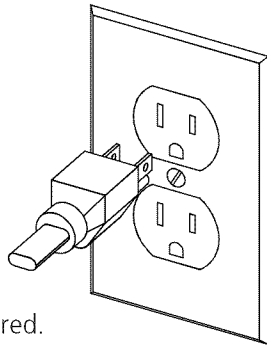
1. 1/4 in. nut driver
2. 3/8 in. socket with ratchet.
3. 3/8 in. open end wrench.
4. 7/16 in. socket with ratchet.
5. 9/16 in. open end wrench.
6. Channel-lock adjustable pliers.
7. Carpenter's level.

ELECTRICAL REQUIREMENTS

CIRCUIT - Individual, properly polarized and grounded 15 amp. branch circuit fused with 15 amp. time delay fuse or circuit breaker.

POWER SUPPLY - 2 wire, with ground, 120 volt, single phase, 60 Hz, Alternating Current. NOTE: The use of this washer with power created by gas powered generators, solar powered generators, wind powered generators or any other generator other than the local utility company is not recommended.

OUTLET RECEPTACLE - Properly grounded 3-prong receptacle to be located so the power supply cord is accessible when the washer is in an installed position. NOTE: GFI (Ground Fault Interrupter)



receptacle is not required.

GROUNDING REQUIREMENTS

⚠ WARNING Improper connection of the equipment grounding conductor can result in a risk of electrical shock. Check with a licensed electrician if you are in doubt as to whether the appliance is properly grounded.

1. The washer **MUST** be grounded. In the event of malfunction or breakdown, grounding will reduce the risk of electrical shock by a path of least resistance for electrical current.
2. Since your washer is equipped with a power supply cord having an equipment-grounding conductor and a grounding plug, the plug **MUST** be plugged into an appropriate, copper wired receptacle that is properly installed and grounded in accordance with all local codes and ordinances

or in the absence of local codes, with the National Electrical Codes, ANSI/NFPA 70 (latest edition). If in doubt, call a licensed electrician. **DO NOT** cut off or alter the grounding prong on the power supply cord. In situations where a two-slot receptacle is present, it is the owner's responsibility to have a licensed electrician replace it with a **properly grounded** three prong grounding type receptacle.

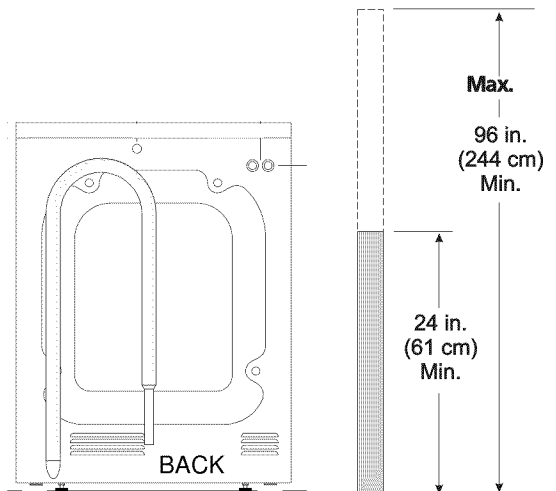
WATER SUPPLY REQUIREMENTS

Hot and cold water faucets **MUST** be installed within 42 inches (107 cm) of your washer's water inlet. The faucets **MUST** be 3/4 inch (1.9 cm) garden hose type so inlet hoses can be connected. Water pressure **MUST** be between 10 and 120 pounds per square inch (maximum unbalance pressure, hot vs. cold, 10 psi.) Your water department can advise you of your water pressure. The hot water temperature should be about 140 degrees F (60 degrees C).

DRAIN REQUIREMENTS

Models equipped with drain pump:

1. Drain **MUST** be capable of eliminating 17 gals (64.3 L) per minute.
2. A standpipe diameter of 1-1/4 in. (3.18 cm) minimum.
3. The standpipe height above the floor should be:
Minimum height: 24 in. (61 cm)

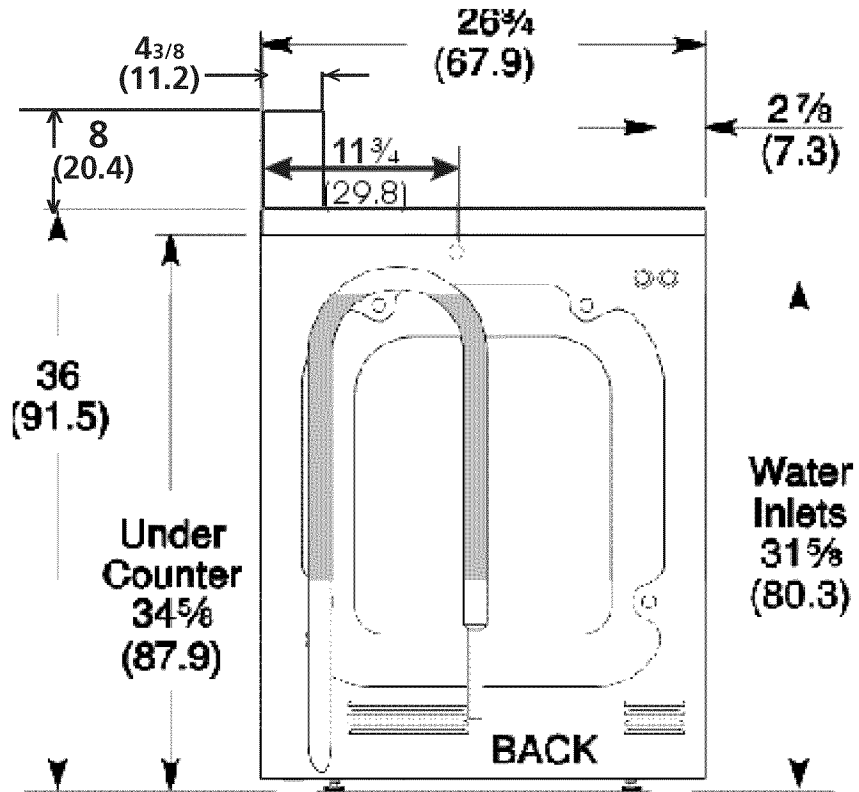
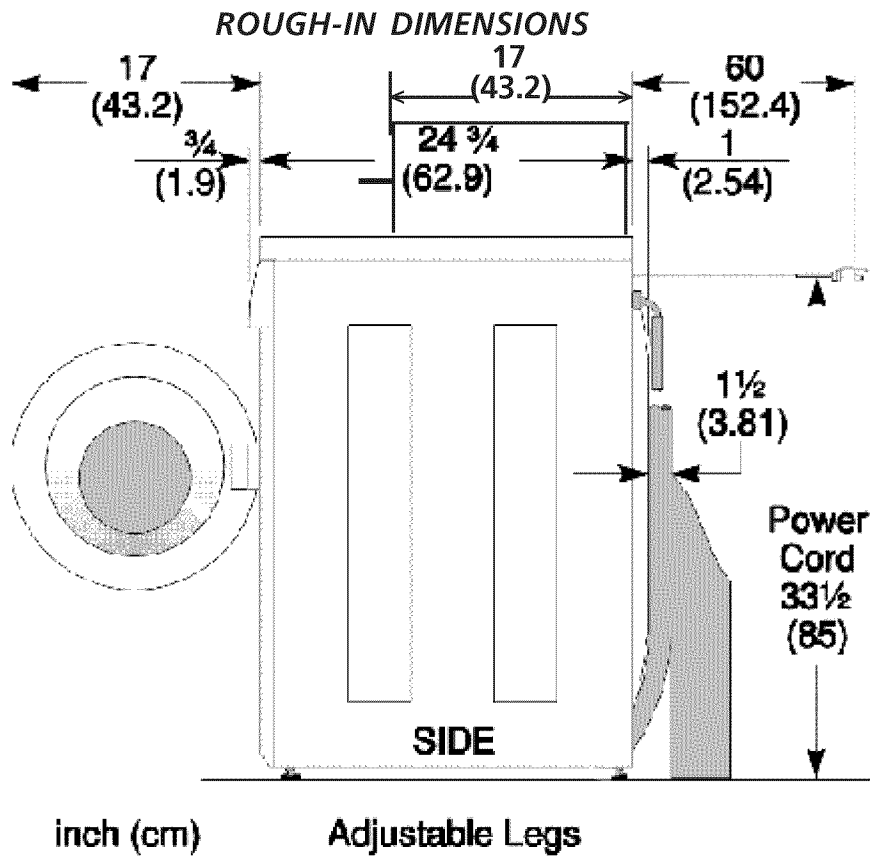


NOTE:

Drain hose attached to the washer can reach a 58 in. (147 cm) high standpipe. For higher standpipe use hose P/N 134049201, available from an authorized parts distributor. If drain is less than 24 in. (61 cm), install a siphon break kit, available at your local hardware store.

Models equipped with gravity drain:

1. Floor drain **MUST** be capable of eliminating 17 gals (64.3 L) per minute.
2. Floor drain diameter must be at least 1/2 inch larger than drain hose.



LOCATION OF YOUR WASHER

DO NOT INSTALL YOUR WASHER:

1. In an area exposed to dripping water or outside weather conditions. The ambient temperature should never be below 60 degrees F (15.6 degrees C) for proper washer operation.
2. In an area where it will come in contact with curtains or drapes.
3. In an area (garage or garage-type building) where gasoline or other flammables are kept or stored (including automobiles).
4. On carpet. Floor **MUST** be solid with a maximum slope of 1/2 in. per foot (1.27 cm per 30.5 cm). To ensure vibration or movement does not occur, reinforcement of the floor may be necessary.

IMPORTANT

MINIMUM INSTALLATION CLEARANCES

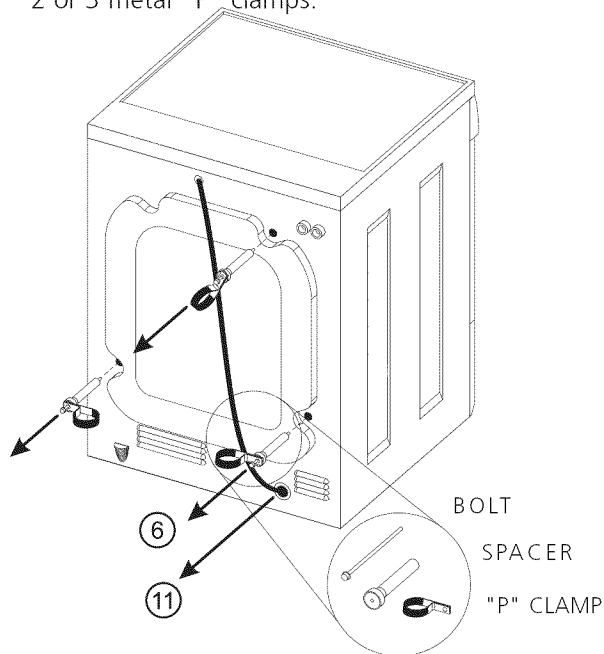
When installed in alcove: Sides, Rear, Top = 0 in (0 cm).

When installed in closet: Sides, Rear, Top = 0 in (0 cm), Front = 1 in (2.54 cm).

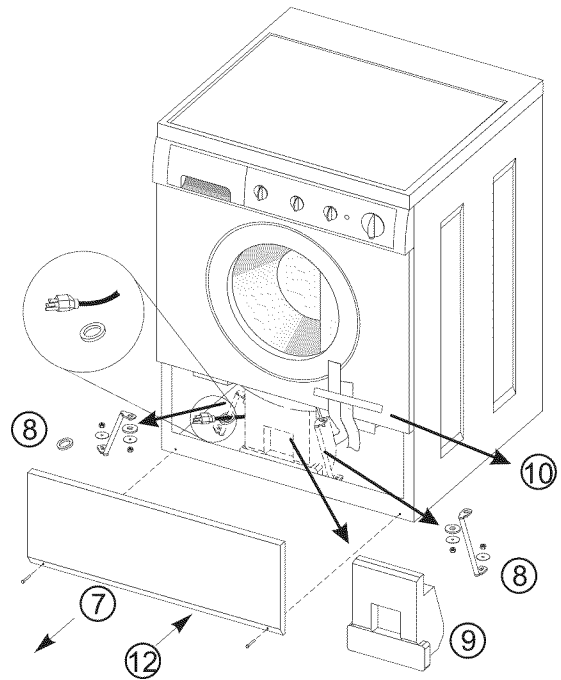
Closet door ventilation openings required: 2 louvers each 60 in² (387 cm²) - 3 in (7.6 cm) from top and bottom of door.

UNPACKING

1. Cut the shipping carton along the dotted line along the base of the unit.
2. While in the carton carefully lay the washer on its back side.
3. Remove the styrofoam base.
4. Carefully return the washer to an upright position and remove the carton.
5. Carefully move the washer to within 4 feet (122cm) of the final location.
6. Remove the following from the back side of the washer:
 - 3 bolts,
 - 3 yellow plastic spacers,
 - 2 or 3 metal "P" clamps.



7. Remove the service panel from the front of the washer.
8. Remove the 4 nuts and 6 large washers that attach the 2 yellow shipping braces to the drum and the base. Lift up on the drum and remove the braces (a yellow ribbon surrounds the items to be removed). These braces must be removed to allow the power supply cord to be released from the shipping ring.
9. Remove the large styrofoam block located under the drum. Lift up on the drum, tilt the base of the foam block inwards toward the rear of the washer until free, then pull it out.
10. Remove and discard the yellow ribbon and label from the front of the washer.

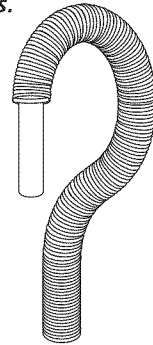
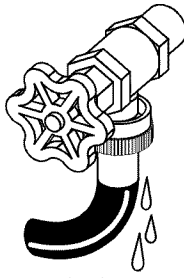


11. From the rear of the washer, carefully pull out the power supply cord through the hole in the backsheet.
12. Replace the service panel and screws.

NOTE: If the washer is to be transported at a later date, the shipping support hardware must be reinstalled to prevent shipping damage.

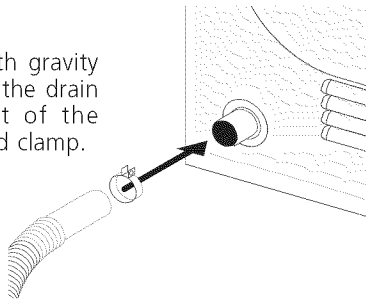
INSTALLATION

1. Run some water from the hot and cold faucets to flush the water lines and remove particles that might clog up the water valve screens.
2. Remove the inlet hoses and rubber washers from the plastic bag and install the rubber washers in each end of the inlet hoses.
3. (90° elbow end) Carefully connect the inlet hose marked "HOT" to the outside "H" outlet of the water valve. Tighten by hand, then tighten another 2/3 turn with pliers. Carefully connect the other inlet hose to the inside "C" outlet of the water valve. Tighten by hand, then tighten another 2/3 turn with pliers. **Do not crossthread or over-tighten these connections.**
4. Connect the inlet hose ends to the HOT and COLD water faucets tightly by hand, then tighten another 2/3 turn with pliers. Turn the water on and check for leaks.
5. On machines equipped with drain pump, form a U shape on the end of the drain hose, with the hose pointed toward the drain.



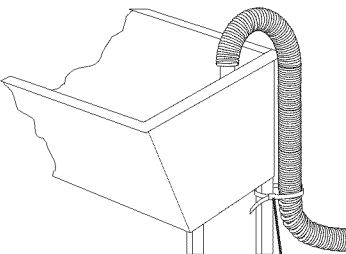
NOTE: If the drain hose is placed in a standpipe without forming a U shape, a siphoning action could occur. There must be an air gap around the drain hose. A snug hose fit can also cause a siphoning action.

6. On machines equipped with gravity drain, connect one end of the drain hose to the drain outlet of the machine, using the provided clamp.
7. Carefully move the washer to its final location.



NOTE: Do not use the dispenser drawer or door to lift washer.

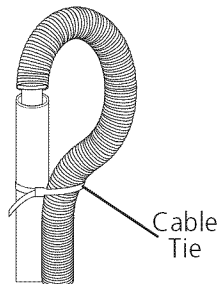
8. With the washer in its final position, place a level on top of the washer. Adjust the front leveling legs up or down to ensure the washer is resting solid. Turn the lock nuts on each leg up towards the base of the washer and snug with a wrench.



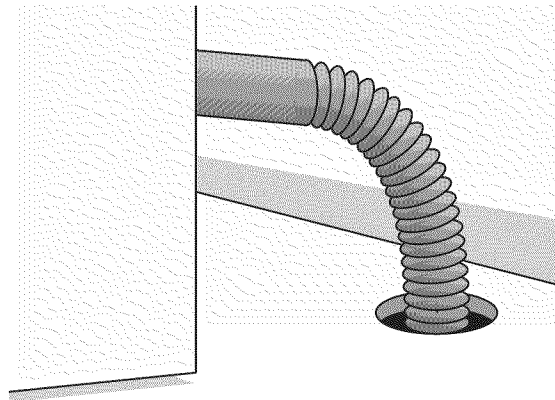
NOTE: Keep the leg extension at a minimum to prevent excessive vibration. The farther out the legs are extended the more the washer will vibrate.

Rear leg adjustments are also accessible through the front service panel.

9. **Models equipped with drain pump:** Place the formed end of the drain hose in a laundry tub or a standpipe and secure with the cable tie provided in the enclosure package.



Models equipped with gravity drain: Run the machine's drain hose into an oversized floor drain or drain trough. The entire length of the drain hose must be below the drain outlet on the machine.



NOTE: The drain pipe or floor drain, into which the drain hose is placed, **MUST** be at least 1/2 inch larger in diameter than the drain hose. This will insure that the sewer line cannot back up into the washing machine.

8. Plug the power cord into a grounded outlet.
- NOTE:** Check to ensure the power is off at the circuit breaker/fuse box before plugging the power cord into an outlet.
9. Turn on the power at the circuit breaker/fuse box.
10. Be sure you have read the "Important Safety Instructions" on pages 2-3 before operating this washer.
11. Run the washer through a complete cycle. Check for water leaks and proper operation.
12. Keep these instructions for future reference.

NOTE: A wiring diagram is located inside the washer on the service panel.

REPLACEMENT PARTS

If replacements parts are needed for your washer, call Sears Parts and Service Toll Free Number 1-800-4-MY-HOME (1-800-469-4663)

WARNING Destroy the carton and plastic bags after the washer is unpacked. Children might use them for play. Cartons covered with rugs, bedspreads, or plastic sheets can become airtight chambers causing suffocation. Place all materials in a garbage container or make materials inaccessible to children.

WARNING The instructions in this manual and all other literature included with this washer are not meant to cover every possible condition and situation that may occur. Good safe practice and caution **MUST** be applied when installing, operating and maintaining any appliance.

Maximum benefits and enjoyment are achieved when all the Safety and Operating instructions are understood and practiced as a routine with your laundering tasks.

Instrucciones importantes para la seguridad

Lea todas instrucciones antes usar esta lavadora.

Su lavadora está equipada con un dispositivo de seguridad para cierre. Compruebe diariamente la operación correcta del sistema de seguridad usando el siguiente procedimiento:

1. Con la puerta de la lavadora abierta, inserte el número de monedas requerido (o la tarjeta necesaria en máquinas equipadas con sistema de arranque por tarjeta), y presione el botón START. **¡LA LAVADORA NO DEBE ARRANCAR!**
2. Cierre la puerta de la lavadora. Presione START otra vez para arrancar la lavadora. Trate de abrir la puerta, sin mucha fuerza. **¡LA PUERTA NO DEBE ABRIR!**

SI LA LAVADORA ARRANCA CON LA PUERTA ABIERTA, O SI LA PUERTA SE PUEDE ABRIR MIENTRAS LA LAVADORA ESTA FUNCIONANDO, ESTA DEBE RETIRARSE DE FUNCIONAMIENTO INMEDIATAMENTE. DESCONECTE EL CORDON DE ENERGIA Y PONGA UN AVISO DE "FUERA DE SERVICIO" EN LA MAQUINA, HASTA QUE EL SISTEMA DE CIERRA DE SEGURIDAD SEA REPARADO Y OPERE EN LA FORMA ARRIBA DESCRITA.

Registro del producto

Gracias por haber elegido esta lavadora.

Anote sus números de modelo y de serie

Anote en los espacios siguientes los números de modelo y de serie de la lavadora, inscribidos sobre la placa de serie ubicada en la parte superior de la puerta abierta. Guarde estos números y su boleta de compra para futuras referencias.

Número de modelo: _____

Número de serie: _____

Fecha de compra: _____

Registre su producto

Deberá llenar completamente, firmar y enviarnos la **TARJETA DE REGISTRO DEL PRODUCTO** que lleva nuestra dirección.

PARA SU SEGURIDAD

No almacene ni use gasolina u otros vapores o líquidos inflamables cerca de este o cualquier otro electrodoméstico.

⚠ ADVERTENCIA Para reducir el riesgo de incendio, descargas eléctricas o lesiones a las personas durante el uso de esta lavadora, cumpla con las advertencias básicas que se enumeran a continuación.

⚠ ADVERTENCIA El incumplimiento de estas advertencias puede resultar en serias lesiones personales.

Prevenga incendio

⚠ ADVERTENCIA No lave ninguna prenda que haya sido limpiada, remojada o manchada con gasolina, solventes de limpieza, keroseno, aceites de cocina, ceras, etc. No guarde estos productos sobre ni cerca de la lavadora. Estas sustancias emiten vapores o reacciones químicas que pueden encenderse o explotar.

⚠ ADVERTENCIA No coloque trapos ni ropa aceitosa o grasosa sobre la lavadora. Estas sustancias emiten vapores que pueden quemar los materiales.

⚠ ADVERTENCIA No añada gasolina, solventes de limpieza ni otros productos inflamables o explosivos al agua de lavado. Estas sustancias emiten vapores que pueden encenderse o explotar.

⚠ ADVERTENCIA Bajo ciertas condiciones, puede producirse gas de hidrógeno en un sistema de agua caliente que no ha sido usado por 2 semanas o más. **EL GAS DE HIDROGENO ES EXPLOSIVO.** Si el sistema de agua caliente no ha sido usado por este periodo, antes de usar la lavadora abra todas las llaves del agua caliente y deje correr el agua durante varios minutos. Esto dejará salir el gas de hidrógeno acumulado. El gas de hidrógeno es inflamable; no fume ni use llamas expuestas en este momento.

⚠ ADVERTENCIA El incumplimiento de estas advertencias puede traer como consecuencia un incendio, una explosión, lesiones corporales graves y/o daños a las piezas de caucho o de plástico de la lavadora.

Proteja a los niños

⚠ ADVERTENCIA No permita que los niños jueguen encima de o con la lavadora. Debe vigilar de cerca a los niños cuando la lavadora esté siendo usada en presencia de niños. Cuando estos crezcan, enséñeles el uso correcto y seguro de todos los electrodomésticos.

⚠ ADVERTENCIA Deseche la caja de cartón, la bolsa de plástico y los demás materiales de envío una vez que haya desembalado la lavadora. Los niños podrían usarlos para jugar. Las cajas de cartón tapadas con alfombras, colchas u hojas de plástico pueden convertirse en cámaras herméticas.

⚠ ADVERTENCIA Mantenga todos los productos de lavado fuera del alcance de los niños. Para evitar las lesiones personales, siga todas las advertencias de las etiquetas de los productos.

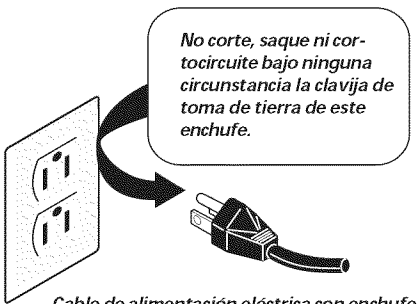
⚠ ADVERTENCIA Antes de retirar la lavadora de servicio o desecharla, saque la puerta de la lavadora para evitar que alguien quede atrapado.

⚠ ADVERTENCIA El incumplimiento de estas advertencias puede resultar en serias lesiones personales.

Instrucciones importantes para la seguridad (continuación)

⚠ ADVERTENCIA Evite los riesgos de incendio o las descargas eléctricas. No use un adaptador o un cable de extensión ni saque la clavija de toma de tierra del cable eléctrico. El no seguir esta advertencia puede causar lesiones graves, incendio o la muerte.

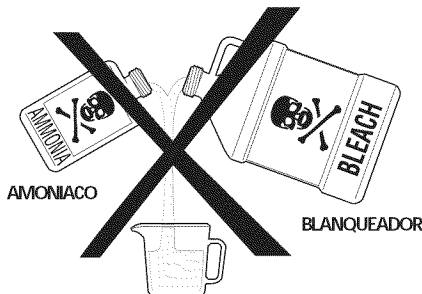
Receptáculo mural con toma de tierra



Cable de alimentación eléctrica con enchufe de toma de tierra con 3 clavijas

MANERA CORRECTA
Usese así SOLAMENTE

⚠ ADVERTENCIA No use ni mezcle lejía líquida con ningún producto químico doméstico como limpiadores para el inodoro, eliminadores de óxido, ácidos o productos que contengan amoníaco. Estas mezclas pueden producir humos peligrosos que pueden causar lesiones graves o la muerte.



Nota: Las instrucciones que aparecen en este Manual del Usuario no pretenden cubrir todas las condiciones y situaciones posibles que pueden ocurrir. Debe tenerse sentido común y cuidado al instalar, operar y mantener cualquier electrodoméstico.

Evite lesiones

⚠ ADVERTENCIA Para evitar el riesgo de descargas eléctricas y garantizar la estabilidad durante el funcionamiento, la lavadora debe ser instalada y conectada a una toma de tierra por un técnico de servicio capacitado de conformidad con los códigos eléctricos locales. Las instrucciones de instalación vienen empaquetadas en la lavadora para servir como referencia al instalador. Vea las INSTRUCCIONES PARA LA INSTALACION para los procedimientos detallados sobre la conexión a la toma de tierra. Si se mueve la lavadora a otra ubicación, haga que un técnico de servicio capacitado examine y vuelva a instalar la lavadora.

⚠ ADVERTENCIA Para evitar lesiones personales o daños a la lavadora, el cable eléctrico de la lavadora debe estar enchufado en un tomacorrientes de 3 clavijas, polarizado y con toma de tierra adecuada. **No debe sacarse nunca la clavija de tierra. No conecte nunca la toma de tierra a una tubería de gas. No use un cable de extensión ni un adaptador.**

⚠ ADVERTENCIA Siga las instrucciones del envase al usar los productos de lavado. El uso incorrecto puede producir gases venenosos— causando lesiones graves o la muerte.

- **No** mezcle productos de lavado para usarlos en 1 carga a menos que lo especifique la etiqueta.
- **No** mezcle lejía con amoníaco ni ácidos como el vinagre.

⚠ ADVERTENCIA Para evitar lesiones personales graves y daños a la lavadora:

- **Todas las reparaciones y el servicio deben ser llevados a cabo por un técnico autorizado** a menos que se recomiende lo contrario en este Manual del Usuario. Use solamente piezas de repuesto autorizadas por la fábrica.
- **No** modifique los controles.
- **No** instale ni guarde la lavadora en un lugar a la intemperie.
- **No** instale la lavadora sobre una alfombra. Instale la lavadora sobre un suelo sólido. Puede ser necesario reforzar el suelo para impedir vibraciones y el desplazamiento de la lavadora.

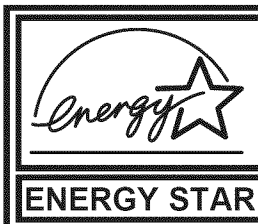
⚠ ADVERTENCIA Para evitar el riesgo de descargas eléctricas, desconecte este aparato del tomacorrientes antes de tratar de hacer cualquier mantenimiento por parte del usuario. Mover los controles a la posición de "OFF" (apagado) no desconectará el aparato de la red eléctrica.

⚠ ADVERTENCIA Para evitar lesiones, no meta la mano en la lavadora mientras haya partes en movimiento. Antes de vaciar, llenar o añadir prendas, empuje la perilla de control y deje que el tambor se detenga completamente antes de meter la mano.

⚠ ADVERTENCIA El incumplimiento de estas advertencias puede causar lesiones personales graves.

⚠ ADVERTENCIA Esta lavadora está equipada con un protector contra sobrecargas eléctricas. El motor se detendrá si se calienta demasiado. La lavadora comenzará a funcionar de nuevo automáticamente después del periodo de enfriamiento de hasta 30 minutos, si esta no ha sido apagada durante este tiempo.

GUARDE ESTAS INSTRUCCIONES



As an ENERGY STAR® Partner, Electrolux Home Products has determined that this product meets the ENERGY STAR® guidelines for energy efficiency.

REQUISITOS ANTES DE LA INSTALACION

Herramientas necesarias para la instalación:

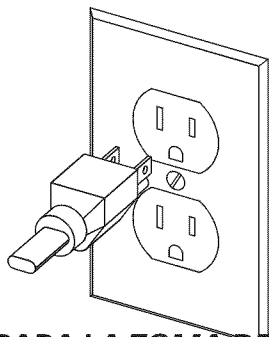
1. Llave para tuercas de 1/4"
2. Casquillo con trinquete de 3/8"
3. Llave de boca de 3/8"
4. Casquillo con trinquete de 7/16"
5. Llave de boca de 9/16"
6. Alicates ajustables Channel-lock
7. Nivel de carpintero

REQUISITOS ELECTRICOS

CIRCUITO - Circuito derivado individual, correctamente polarizado y con toma de tierra, de 15 amperios con fusible de 15 amperios con retardo o disyuntor.

ALIMENTACION ELECTRICA - Corriente alterna monofásica, 60 Hz, 120 voltios, bifilar, con toma de tierra. NOTA: El uso del lavadora con energía de generador de gas, generador de solar, generador de viento, o cualquier otros generador con excepción de la central eléctrica no es recomendar.

TOMACORRIENTES - El tomacorrientes con 3 orificios y toma de tierra correcta, debe estar ubicado de manera que el cable eléctrico sea accesible cuando la lavadora esté instalada. NOTA: GFI(Ground Fault Interrupter) receptáculo no es requerido.



REQUISITOS PARA LA TOMA DE TIERRA

⚠ ADVERTENCIA La conexión incorrecta del conductor de toma de tierra de este equipo puede causar un riesgo de descargas eléctricas. Consulte a un electricista licenciado si no está seguro si el electrodoméstico está bien conectado a tierra.

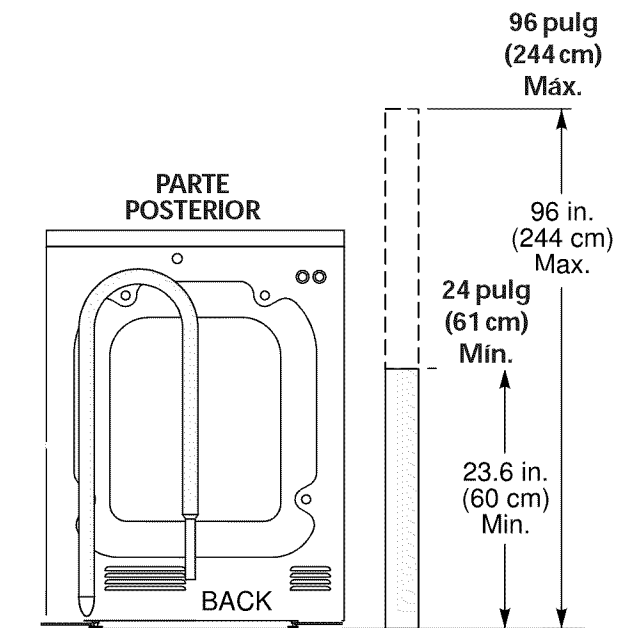
1. La lavadora **DEBE** ser conectada a una toma de tierra. En caso de un mal funcionamiento o una falla, la toma de tierra reduce el riesgo de descargas eléctricas proporcionando a la corriente eléctrica una vía con menos resistencia.
2. Ya que su lavadora está equipada con un cable eléctrico que lleva un conductor para toma de tierra y un enchufe para toma de tierra, el enchufe **DEBE** ser insertado en un tomacorrientes adecuado, con hilos de cobre, que esté instalado y conectado a tierra según todos los códigos y ordenanzas locales, o si no existen códigos locales, con los National Electrical Codes (Códigos Eléctricos Nacionales), ANSI/NFPA 70 (la edición más reciente). Si no está seguro, llame a un electricista licenciado. **NO** corte ni modifique la clavija de toma de tierra del cable eléctrico. En casos en que sólo haya un tomacorrientes de dos orificios, será responsabilidad del propietario hacer que un electricista licenciado lo cambie por un tomacorrientes de 3 orificios **con la toma de tierra adecuada**.

REQUISITOS PARA EL SUMINISTRO DE AGUA

Las llaves de agua caliente y fría **DEBEN** estar instaladas a menos de 42 pulgadas (107 cm) de la toma de agua de la lavadora. Las llaves **DEBEN** ser del tipo manguera de jardín de 3/4 de pulgada (1,9 cm) para que se les puedan conectar los tubos de entrada de agua. La presión del agua **DEBE** estar entre 10 y 120 libras por pulgada cuadrada (presión máxima de desequilibrio, caliente contra fría, 10 libras por pulgada cuadrada). Su compañía de suministro de agua puede decirle cuál es la presión del agua. La temperatura del agua caliente debe ser de unos 120 grados F (49 grados C).

REQUISITOS PARA EL DRENAJE

1. Drenaje que pueda eliminar 17 galones (64,3 L) por minuto.
2. Diámetro de la tubería vertical de 1-1/4 pulgadas (3,18 cm) como mínimo.
3. La altura de la tubería vertical por encima del piso debe ser:
Altura mínima: 24 pulgadas (61 cm)
Altura máxima: 96 pulgadas (244 cm)



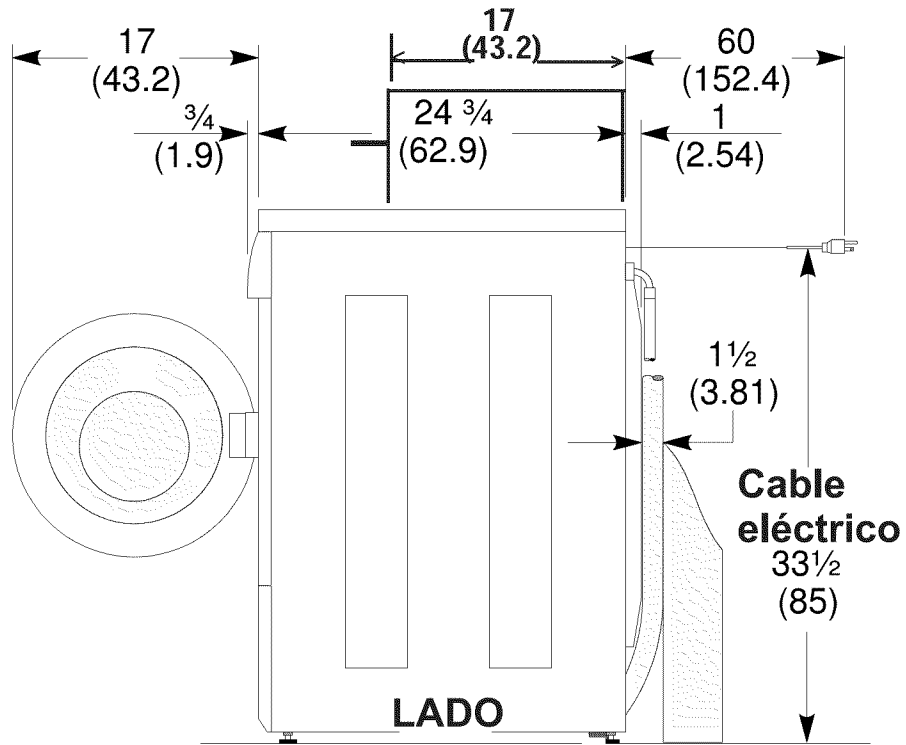
NOTA:

El tubo de drenaje conectado a la lavadora puede llegar a una tubería vertical de 58 pulgadas (147 cm). Para una tubería vertical más alta, use el tubo con N° de pieza 131461201, disponible en distribuidores autorizados de piezas. Si el drenaje tiene menos de 24 pulgadas (61 cm), instale un juego para detener la acción del sifón, disponible de una ferretería local.

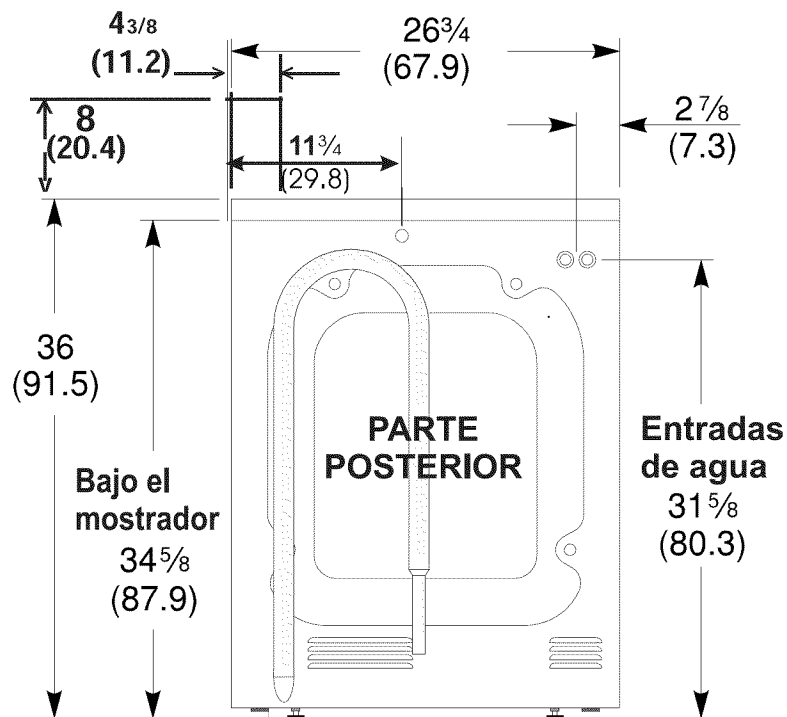
Modelos equipados con drenaje por gravedad:

1. El drenaje del piso debe ser capaz de eliminar 17 galones (64.3 litros) por minuto.
2. El diámetro del drenaje del piso debe ser por lo menos 1/2 pulgada más grande que la manguera de drenaje.

**DIMENSIONES PARA LA INSTALACION
UBICACION DE SU LAVADORA**



pulgadas (cm) Patas ajustables



UBACACION DE SU LAVADORA

NO INSTALE SU LAVADORA:

1. En un área expuesta a goteos de agua o a la intemperie. La temperatura ambiente nunca deberá estar por debajo de los 60 grados F (15,6 C) para que su lavadora funcione correctamente.
2. En un área donde estará en contacto con persianas o cortinas.
3. En un área (garaje o construcción similar) donde haya o se almacene gasolina u otros productos inflamables (inclusive automóviles).
4. Sobre una alfombra. El piso **DEBE** ser duro con una inclinación máxima de 1/2 pulgada por pie (1,27 cm por cada 30,5 cm). Para asegurarse de que no existan vibraciones ni ruidos, puede ser necesario reforzar el piso.

IMPORTANTE

DESPEJES MINIMOS DE INSTALACION

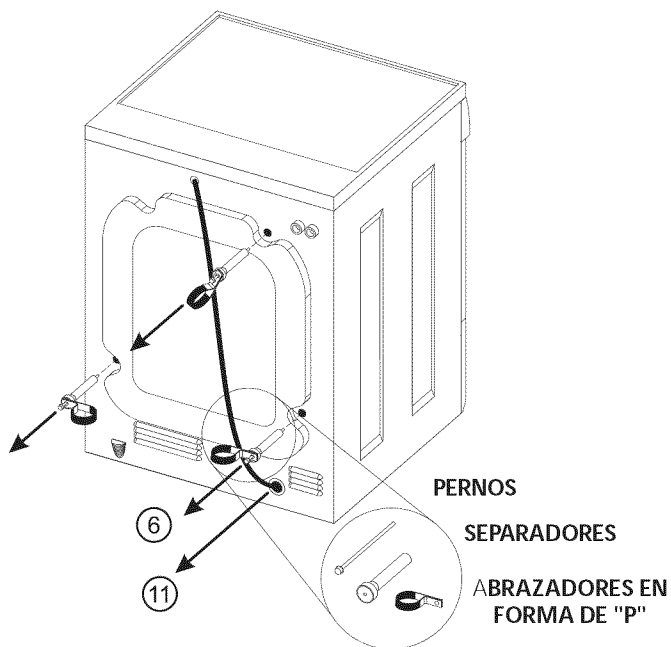
Instalación en una alcoba: Lados, Parte Trasera, Parte Superior = 0 cm (0 pulg.)

Instalación en un armario: Lados, Parte Trasera, Parte Superior = 0 cm (0 pulg.), Parte Delantera = 2.54 cm (1 pulg.)

Aberturas de ventilación requeridas en la puerta del armario: Dos rejillas de ventilación cada 387 cm² (60 pulg.²) - 7.6 cm (3 pulg.) desde la parte inferior y superior de la puerta.

DESEMPAQUE

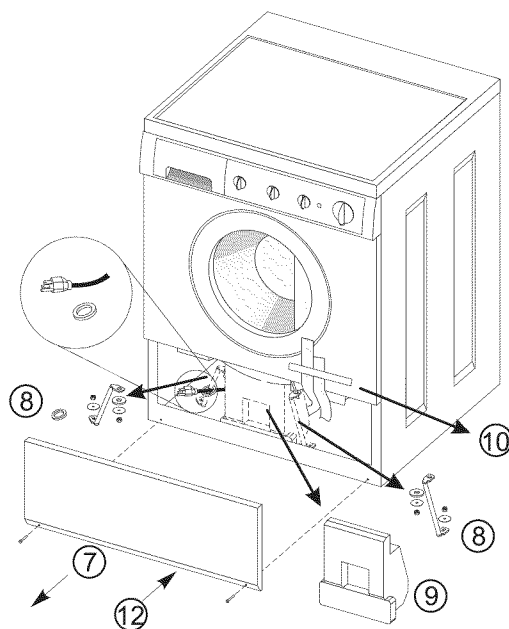
1. Corte la caja de envío a lo largo de la línea punteada en la base del aparato.
2. Con la lavadora todavía en la caja, colóquela con cuidado sobre su parte posterior.
3. Saque la base de espuma.
4. Con cuidado, vuelva a colocar la lavadora en posición vertical y saque la caja.
5. Con cuidado, mueva la lavadora a unos 4 pies (122cm) de su ubicación definitiva.



6. Saque lo siguiente de la parte posterior de la lavadora:

3 pernos,
3 separadores amarillos de plástico,
2 o 3 abrazaderas metálicas en forma de "P".

7. Saque el panel de servicio de la parte delantera de la lavadora.
8. Saque las 4 tuercas y las 6 arandelas grandes que sujetan los 2 pernos de expedición amarillos al tambor y al base. Levante el tambor y saque los pernos (una cinta amarilla se encuentre alrededor de las piezas que deben estar sacadas). Se debe retirar estos pernos para soltar el cable de alimentación del aro de expedición.
9. Saque el bloque grande de espuma que se encuentra debajo del tambor. Levante el tambor, incline la base del bloque de espuma hacia la parte posterior de la lavadora hasta que se salga, y jálalo.
10. Saque y deseche la cinta amarilla y la etiqueta de la parte delantera de la lavadora.



11. De la parte posterior de la lavadora, saque con cuidado el cable de alimentación a través del agujero en el panel posterior.
12. Vuelva a colocar el panel de servicio y los tornillos.

NOTA: En caso de que la lavadora tiene que estar transportada en el futuro, es necesario que vuelva a instalar la quincalla de la fijación de expedición para impedir daños a la lavadora durante la expedición.

INSTALACION

1. Deje correr un poco agua de las llaves de agua caliente y fría para vaciar las líneas y eliminar las partículas que pueden obstruir las rejillas de las válvulas de agua.

2. Examine los tubos de entrada de agua para asegurarse de que las arandelas de caucho estén instaladas en cada extremo.

3. Conecte con cuidado los tubos de entrada (Noventa grados de codo) a la válvula de agua (en la lavadora) CALIENTE con de salida "H", apriete a mano y luego apriete 2/3 de vuelta con unos alicates. Conecte con cuidado los tubos de entrada a la válvula de agua (en la lavadora) FRÍA con de salida "C", apriete a mano y luego apriete 2/3 de vuelta con unos alicates.

⚠ ATENCION NO ESTROPEE LAS ROSCAS NI APRIETE ESTAS CONEXIONES EXCESIVAMENTE.

4. Conecte los extremos del tubo de entrada a las llaves de agua CALIENTE y FRÍA apretando bien a mano, y apriete otros 2/3 de vuelta con los alicates. Abra el agua y compruebe que no haya fugas.

5. Haga la forma de U con el fin de la manguera de desagüe, con la manguera hacia el desagüe.

NOTA: Si la manguera de desagüe se pone en una manguera aserguada sin hacer la forma de U, puede ocurrir una acción de sifón. Hay que existir una brecha de aire alrededor de la manguera de desagüe. Un ajuste demasiado apretado de la manguera de desagüe puede causar una acción de sifón también.

6. En máquinas equipadas con drenaje por gravedad, conecte un extremo de la manguera de drenaje a la salida de drenaje de la máquina, usando la abrazadera que se proporciona.

7. Cuidadosamente coloque la lavadora en su ubicación permanente.

NOTA: No levante la lavadora por la puerta ni por el cajón dispensador.

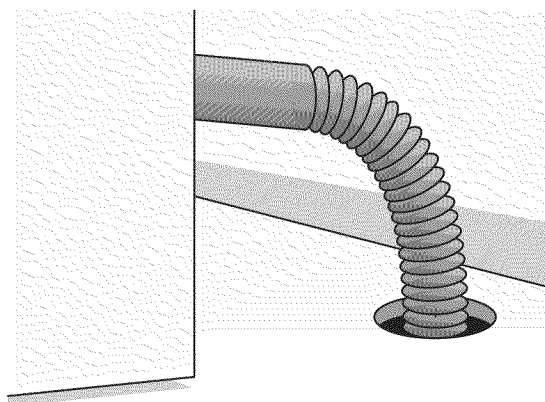
8. Con la lavadora en su ubicación permanente, ponga un nivel encima de la lavadora, la lavadora no debe mecer. Ajuste las piernas niveladoras frontales para arriba o para abajo, para asegurar que la lavadora se quede firmemente en el suelo. Tuerza las tuercas de cada pierna para arriba hacia la base de la lavadora y apriételas utilizando una llave

NOTA: No extienda las piernas niveladoras excesivamente, para evitar la vibración excesiva de la lavadora. Lo más que las piernas se extienden, lo más que la lavadora vibrará.

9. **En modelos equipados con bomba de drenaje:** Coloque el extremo formado de la manguera de drenaje en una tina de lavandería o en un depósito regulador y asegúrelo con el cable de amarre que se proporciona en el paquete que se acompaña.



En modelos equipados con drenaje por gravedad: Conecte la manguera de drenaje de la máquina a un drenaje de piso de tamaño más grande o a una bandeja de drenaje. La extensión total de la manguera de drenaje debe estar por debajo de la salida de drenaje de la máquina.



NOTA: La tubería de drenaje o drenaje de piso, en la cual se coloca la manguera, DEBE ser, por lo menos, 1/2 pulgada de diámetro más grande que la manguera de drenaje. Esto asegurará que el agua en la línea de drenaje no regrese hacia la máquina lavadora.

8. Enchufe el cable en un tomacorrientes con toma de tierra.
NOTA: Asegúrese de que la corriente esté cortada en el disyuntor/caja de fusibles antes de enchufar el cable en el tomacorrientes.

9. Encienda la corriente en el disyuntor/caja de fusibles.
10. Asegurarse de leer Instrucciones Importantes de Seguridad, páginas 2-3, antes de usar esta lavadora.

11. Haga funcionar la lavadora durante un ciclo completo. Compruebe que no haya fugas de agua y que funcione correctamente.

12. Guarde estas instrucciones en un lugar cercano a la lavadora para poder referirse a ellas en el futuro.

NOTA: Dentro de la lavadora, en el panel de servicio, se encuentra un diagrama de cableado.

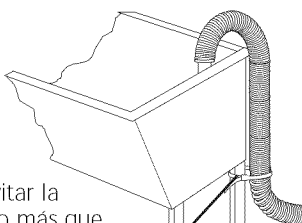
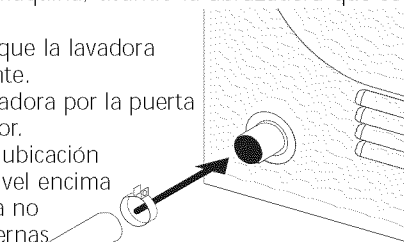
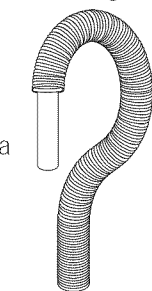
PIEZAS DE REPUESTO

Si necesita piezas de repuesto para su lavadora, llame al número gratis de Sears Piezas y Servicio 1-800-4-MY-HOME (1-800-469-4663).

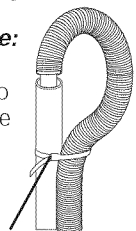
⚠ ADVERTENCIA Deseche la caja de cartón y las bolsas de plástico una vez haya desembalado la lavadora. Los niños podrían usarlas para jugar. Las cajas de cartón tapadas con alfombras, colchas u hojas de plástico pueden convertirse en cámaras herméticas, causando asfixia. Coloque todos los materiales en el basurero o evite que los materiales en el basurero o evite que los niños tengan acceso a ellos.

⚠ ADVERTENCIA Las instrucciones que aparecen en este manual y las demás guías incluidas con esta lavadora no pretenden cubrir todas las condiciones y situaciones posibles que pueden ocurrir. **DEBE** tenerse sentido común y cuidado al instalar, operar y mantener cualquier electrodoméstico.

Se obtiene el máximo de beneficios y resultados cuando todas las instrucciones de seguridad y de funcionamiento son comprendidas y puestas en práctica de forma rutinaria cada vez que se lava la ropa.



Sujetacables



Sujetacables