

# LIMITED LIFETIME WARRANTY

*To obtain Service, please contact or call Patriot Lighting Service Department:  
1-800-267-4427, 8am to 5pm Eastern Time.*

Model No.: # 355-0740

The limited lifetime warranty covers this ceiling fan, for residential use by the original purchaser, against defects in material or workmanship as follows:

If your Patriot Lighting Ceiling Fan motor fails at any time during the lifetime of the original purchaser due to defects in material or workmanship, we will provide a replacement part free of charge.

If your Fan motor fails at any time within one year after the original date of sale to the original purchaser due to defects in material or workmanship, we will provide labor to repair the defect, with the exception of take down/reinstallation, free of charge. The original purchaser will be responsible for all labor costs after this one year period.

If no replacement parts are provided for any part of your Fan motor that fails at any time during your lifetime due to defects in material or workmanship, we will refund the original purchase price of your Fan.

If your Fan blades, remote controller / pull chain switch, reverse switch, or any accessory, except glass globes and light bulbs, fails at any time within one year after the original date of purchase due to a defect in material and workmanship, we will repair or, if we choose, replace the defective blades, switch, or accessory free of charge, with the exception of take down/reinstallation services.

If the original purchaser ceases to own the Fan, this warranty and any implied warranty, including but not limited to any implied warranty of merchantability or fitness for a particular purpose, become void. This warranty and any implied warranty, including but not limited to any implied warranty of merchantability or fitness for a particular purpose, do not cover glass globes, light bulbs, or finish on any metal portions of the Fan.

This warranty is in lieu of express warranties. The duration of any implied warranty of merchantability or fitness for a particular purpose, with respect to any Patriot Lighting Ceiling Fan motor, blades, switch, or accessories, is expressly limited to the period of the express warranty set forth above for such motor, blades, switch, or accessories.

This warranty excludes defects, malfunctions, or failures of any Patriot Lighting Fan that are caused by repairs by persons not authorized by us, use of parts or accessories not authorized by us, mishandling, improper installation, modifications or damage to the Fan while in your possession, or unreasonable use, including failure to provide necessary maintenance.

To obtain service, contact Patriot Lighting Service Department at 1-800-887-6326, 9AM-5PM CST. You will be responsible for all insurance and freight or other transportation charges to our factory or service center. A copy of sales receipt is required in order to obtain service. We will return your Fan freight prepaid. Your Fan should be properly packed to avoid damage in transit, for we will not be responsible for any such damages.

In no event shall Patriot Lighting Fan be liable for consequential or incidental damages.

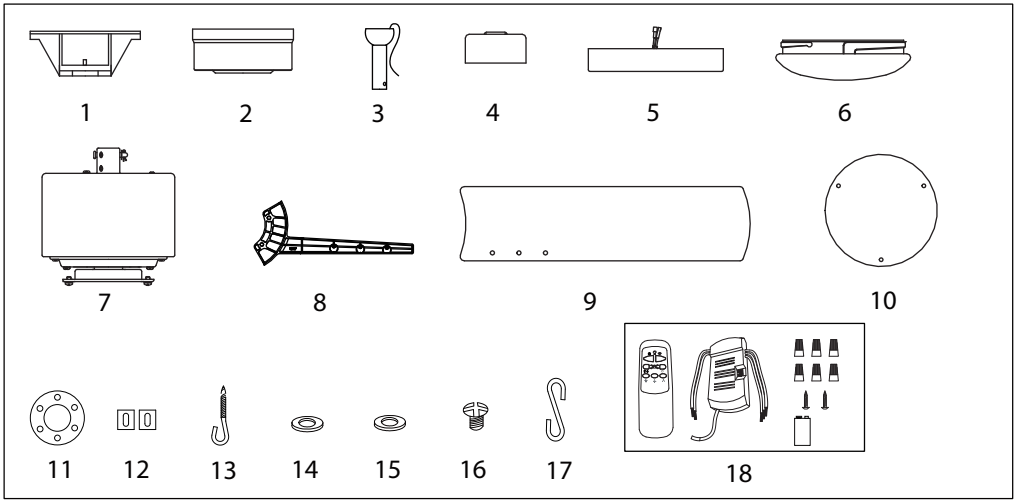
Some states do not allow the exclusion or limitation of consequential or incidental damages, in which case the above limitation or exclusion may not apply.

This warranty gives you specific legal rights and you may also have other rights which vary from state to state.

Patriot  
LIGHTING

09-21

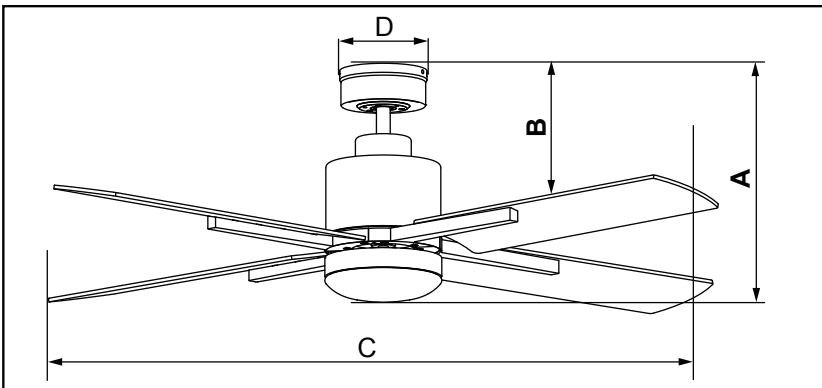
## Package Contents:



Unpack your fan and check the contents. You should have the following items.

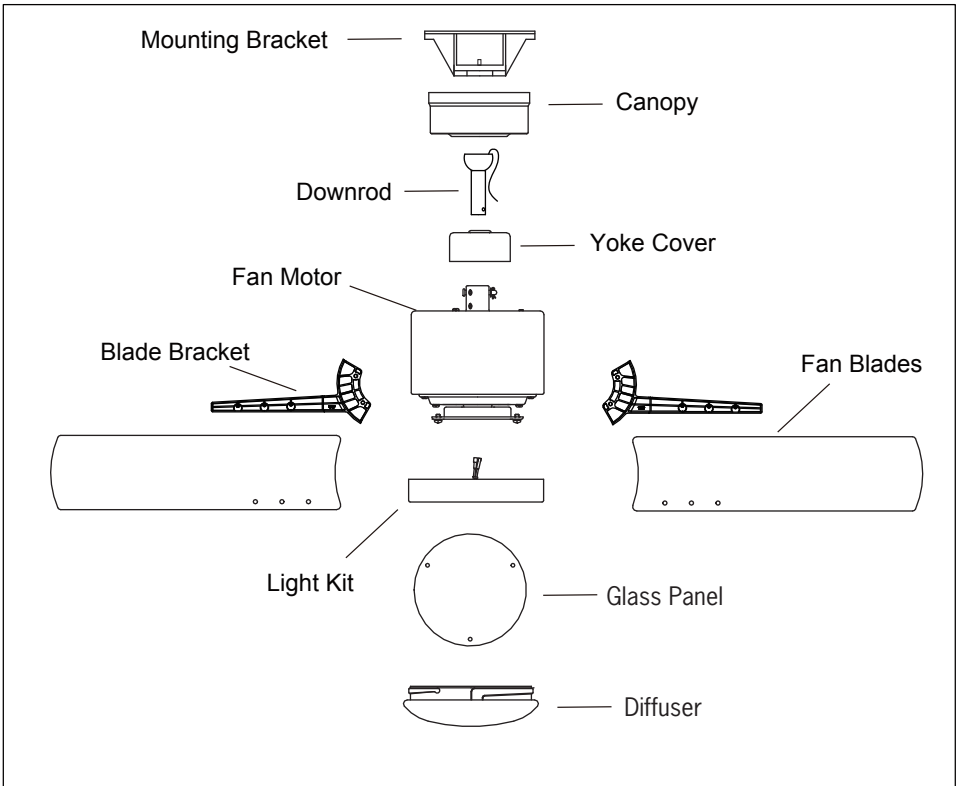
- |  |  |
|--|--|
| 1.) Mounting Bracket   | 11.) Rubber Bushing  |
| 2.) Canopy   | 12.) Rubber Gasket   |
| 3.) Downrod Assembly (Included Hanger Ball, 4" Downrod, Hanger Pin & Lock Pin) | 13.) J-Hook  |
| 4.) Yoke Cover   | 14.) Fiber Washer  |
| 5.) Light Kit  | 15.) Metal Washer  |
| 6.) Diffuser   | 16.) Blade Bracket Screw   |
| 7.) Fan Motor Assembly   | 17.) Temporary Hook  |
| 8.) Blade Bracket (5PCS)   | 18.) Remote Control (Includes Remote, Receiver, Wire Nuts, Screws and Battery) |
| 9.) Fan Blades (5PCS)  |  |
| 10.) Glass Panel   |  |

## Dimension Reference (Installed with 4" Downrod):



A. 14 in. B. 10 3/4 in. C. 52 in. D. 5 1/4 in.

# Exploded View Detail



INSTRUCTIONS PERTAINING TO RISK OF FIRE OR INJURY TO PERSONS  
READ ALL INSTRUCTIONS



## IMPORTANT SAFETY INSTRUCTIONS

**SAVE THESE INSTRUCTIONS**  
INSTALLATION AND WIRING TO BE IN ACCORDANCE WITH CEC,  
NEC, LOCAL ELECTRICAL CODES and ANSI/NFPA 70.  
Consult a qualified electrician if you are not familiar with wiring.

### **TOOLS AND MATERIALS REQUIRED**

- Philips Screwdriver
- Blade Screwdriver
- Wiring supplies as required by electrical code.
- Step Ladder
- Wire Cutters



NOTE: FOR OPTIMUM QUIETNESS, FULLY ASSEMBLE FAN AND RUN 24 HOURS



## IMPORTANT SAFETY INSTRUCTIONS

1. Turn off power at main electrical service box before starting installation.
2. Electrical connections must comply with local code ordinances, national electrical codes, CEC, NEC and ANSI/NFPA 70.
3. Make sure the installation site you choose allows the fan blades to rotate freely without any obstructions.
4. When mounting the fan on a ceiling outlet box, Use an approved (CSA for Canada and UL for U.S.) ceiling fan box marked "FOR FAN SUPPORT". Ensure the outlet box is securely installed in place such that it is able to support at least the fan weight.
5. Total Fan Weight For Reference: 52" approximate 7.1 kgs (15.66lbs).



## WARNING

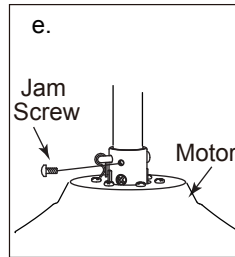
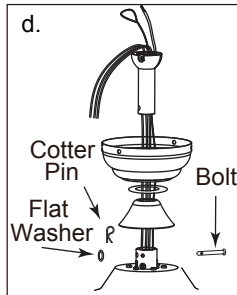
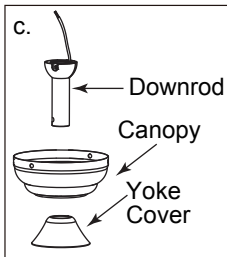
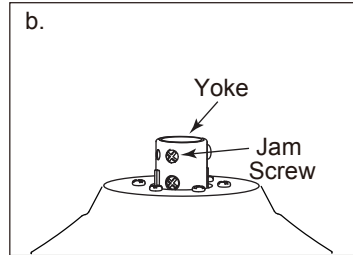
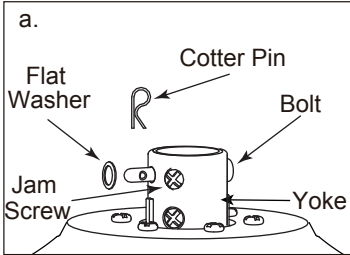
1. To reduce the risk of fire or electrical shock, use only CQ007 remote control (supplied) for replacement if required.
2. **WARNING: RISK OF FIRE, ELECTRIC SHOCK, OR PERSONAL INJURY. THE FAN IN THIS BOX MAY BE EITHER DIRECTLY SUPPORTED FROM A STRUCTURAL FRAMING MEMBER OF A BUILDING AND/OR MAY BE MOUNTED TO AN OUTLET BOX MARKED ACCEPTABLE FOR FAN SUPPORT OF 35 LBS (15.9 KG) OR LESS.** Most outlet boxes commonly used for the support of luminaires may not be acceptable for fan support and may need to be replaced. Consult a qualified electrician if in doubt.
3. Mount with the lowest moving parts at least 2.10 Meters (7 Feet) above floor or grade level.
4. Fan must be turned off and rotating blades stopped before changing blades direction.

# ASSEMBLY INSTRUCTIONS

## 1. MOUNTING

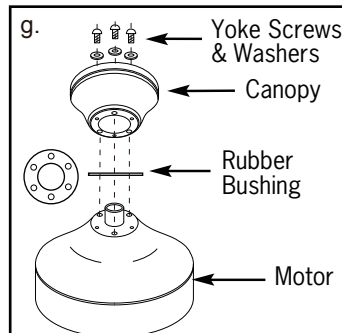
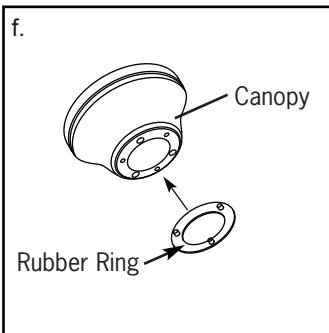
### A DOWNROD MOUNT

- Loosen jam screws in yoke until it is flush with the inside surface.
- Obtain downrod, canopy and yoke cover.
- Place downrod inside canopy and yoke cover.
- Route wires exiting motor through yoke cover, canopy and downrod.
- Insert bolt through hole in yoke and downrod. Be careful not to damage or cut the fan wires.
- Place flat washer over end of bolt and insert cotter pin through hole in the end of the bolt.
- Secure downrod in position by tightening jam screws. Slide yoke cover down so it is flush with the motor housing.



### B FLUSH MOUNT

- Remove rubber ring from canopy
- Remove the Motor cover housing by aligning 3 screws
- Place rubber bushing on Motor housing aligning the 3 smaller holes.
- Place canopy on Motor housing, align the 3 smaller holes on canopy to holes on Motor housing.
- Remove the 3 screws and washers from the top of the motor. Secure Canopy to the motor housing by replacing 3 screws and washers in the 3 smaller holes in canopy.



# ASSEMBLY INSTRUCTIONS (continued)

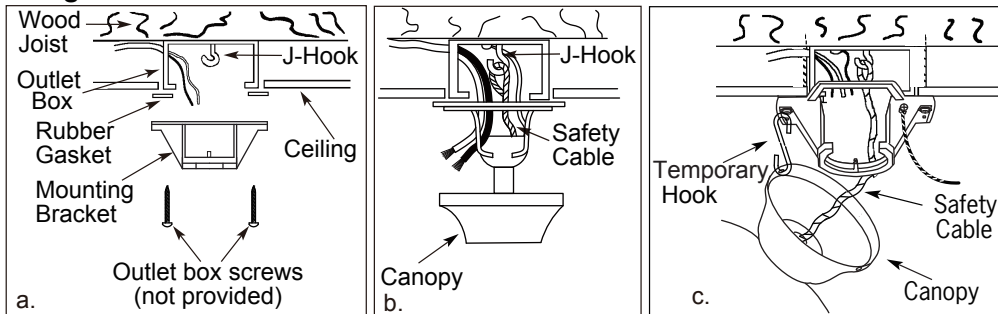
## 2. INSTALL MOUNTING BRACKET

**WARNING: To Reduce The Risk Of Fire, Electric Shock, Or Personal Injury, Mount To UL/CSA Listed Outlet Box Marked Acceptable For Fan Support And Use Mounting Screws Provided With The Outlet Box.**

- Install J-Hook through center of outlet box into the wooden joist.
- Secure mounting bracket and rubber gaskets to outlet box.
- Hang fan on mounting bracket and install safety cable onto the J-Hook.

**Diagram b is for Downrod Mount.**

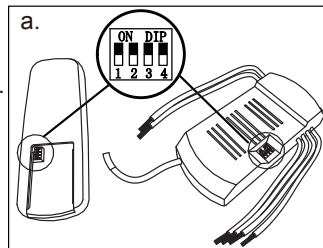
**Diagram c is for Flush Mount.**



## 3. ELECTRICAL HOOK-UP

**A** - This fan is equipped with a remote control unit for controlling the fan speeds and light kit.

- To set the code on the hand-held remote and the receiver:  
#1- Remove the battery cover on the hand-held remote (Press firmly below the arrow and slide the battery cover off).
- #2- Set code switches to desired position on the receiver and on the remote.
- #3- Replace the battery cover on the hand-held remote.

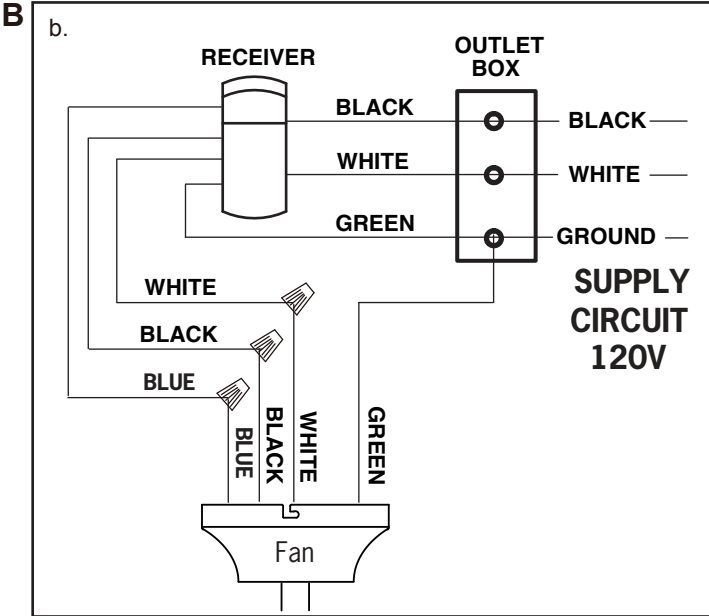


**B** - Make the following wire connections to the receiver unit using the wire nuts supplied.

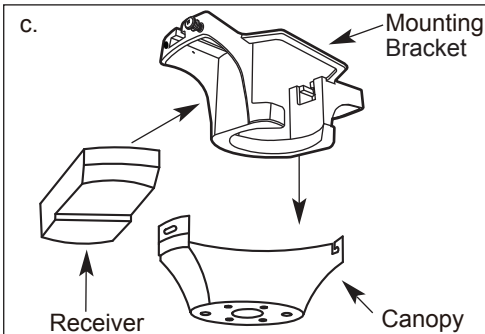
- Connect GREEN wire (Fan & Receiver) to BARE (ground) wire.
- Connect BLACK receiver unit wire to BLACK supply wire.
- Connect WHITE receiver unit wire to WHITE supply wire.
- Connect WHITE receiver unit wire (MOTOR N) to WHITE fan wire.
- Connect BLACK receiver unit wire (MOTOR L) to BLACK fan wire.
- Connect BLUE receiver unit wire (FOR LIGHT) to BLUE light wire.
- After making wire the connections, push wires neatly back into the outlet box ensuring wire splices (wire nuts) are turned upward.

# ASSEMBLY INSTRUCTIONS (continued)

## 3. ELECTRICAL HOOK-UP



- C** - Push all connected wires up into ceiling box.  
- Slide the receiver into the mounting bracket as shown below.



**NOTE:** Once ground wires are connected, carefully tuck all wires and marrettes into the metal outlet box making sure that the wires are clear of the hemisphere and downrod when positioned in mounting bracket.

# ASSEMBLY INSTRUCTIONS (continued)

## D FUNCTION INSTRUCTION OF TRANSMITTER

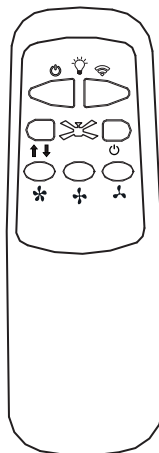
- In cold weather: Set to reverse rotation (clockwise). Airflow will be directed upward, circulating warm air.
- In warm weather: Set to forward rotation (counter-clockwise). Airflow will be directed downward, circulating cold air.

### REMOTE CONTROL

Install 9 V battery. Operation buttons on the remote:

- ☰ - ON/OFF the light
- 📶 - Setting color temperature and dimming  
Short press: color temperature (3000k,4000k or 5000k options);  
Long press: dimming
- ↕ - Direction of the fan (reverse button)
- ⏻ - ON/OFF the fan
- ✳️ - High speed
- ✚ - Medium speed
- ✚ - Low speed

\*Hold down dimming button to increase or decrease the lighting.  
The light has a memory function so the light will stay at the same brightness as the last time it was turned off.



## 4. MOUNTING FAN ASSEMBLY

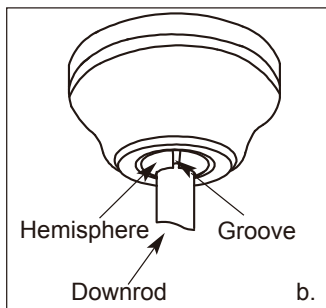
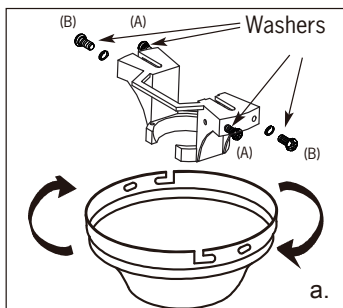
- Place two screws and washers on mounting plate (marked B on diagram) which correspond with slots in canopy. Screw in two turns.
- Position canopy to mounting plate aligning slots to screws (marked B on diagram) then turn to lock.
- Position and tighten the two screws and washers (marked A on diagram) then tighten the two screws (marked B on diagram).

## 5. ENGAGE HEMISPHERE (Downrod Mount Only)

- The hemisphere needs to be engaged before receiver will fit into mounting bracket.
- Carefully rotate fan assembly until groove in hemisphere locks over tab of canopy assembly.

**WARNING: Failure to seat tab in groove could cause damage to electrical wires and possible shock or fire hazard.**

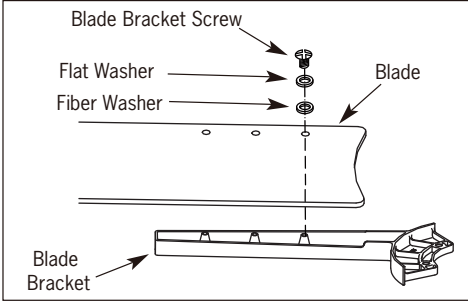
NOTE: When installing fan on sloped ceiling, make sure tab on hanger bracket faces towards the top of the slope. Depending on the slope, a longer downrod may be required to prevent fan blades from hitting the ceiling.



# ASSEMBLY INSTRUCTIONS

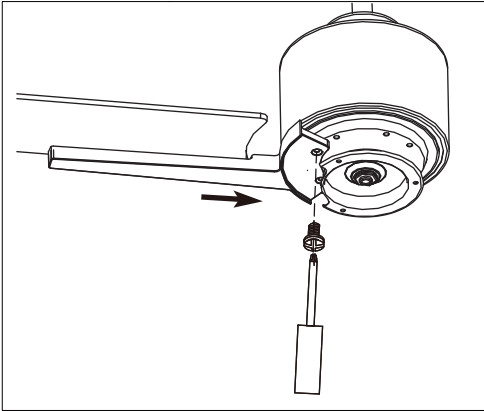
## 6. MOUNT BLADE BRACKETS TO BLADES

- Place blade bracket screw through flat washer, fiber washer and blade.
- Align with corresponding hole in blade bracket.
- Repeat with (2) remaining screws and tighten.



## 7. MOUNTING BLADES TO MOTOR

- Insert the blade arm into the fan as shown.
- Tighten the blade arm to motor with the screw and lock washer as shown.
- Slightly turn the blade after installation and repeat the same step for the other blades.



# ASSEMBLY INSTRUCTIONS (continued)

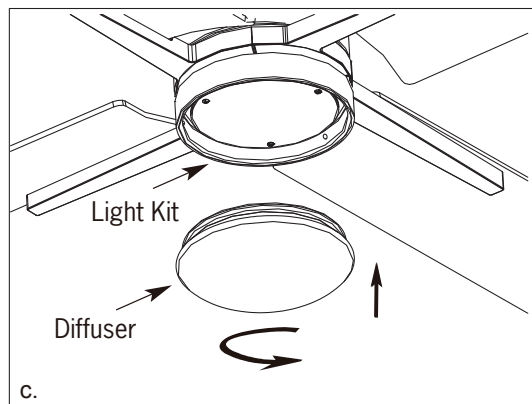
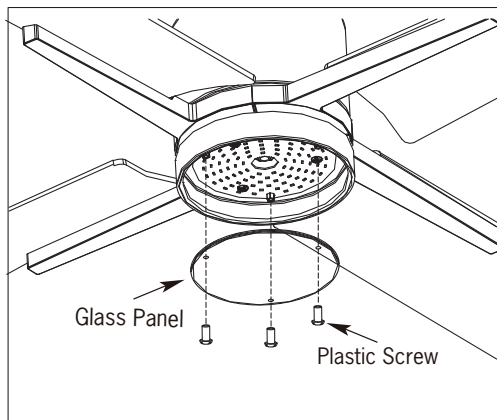
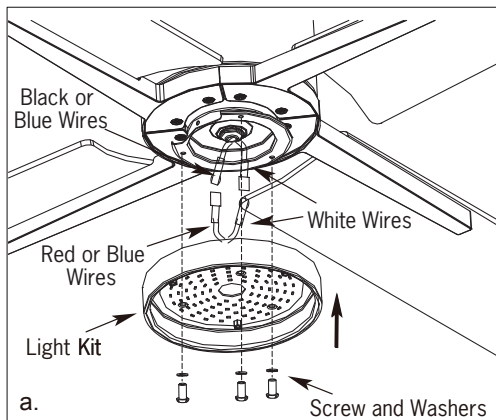
## 8. LIGHT KITS

**DETACHABLE LIGHT KITS** (Refer to one of the following light kits for your model)

- Remove light kit screws and washers.
- Connect polarized connectors of light kit to corresponding connectors found in switch housing.

**WARNING: BE SURE TO TURN OFF POWER BEFORE INSTALLING**

- Install the light kit to the fan motor assembly by tightening 3 screws and washers.
- Remove the 3 plastic screw from light kit.
- Install the glass panel on the light kit by tightening the 3 plastic screws.
- Screw the diffuser to the Light kit.



**WARNING:** Ensure that all connections, set screws and screws are securely tightened before the next step.

# CARE AND MAINTENANCE

To clean the fixture, turn off the power, wait for it to cool, and wipe the fixture with a clean, soft cloth.

## TROUBLESHOOTING

### TROUBLE

### SUGGESTIONS

- |                                       |  |
|---------------------------------------|--|
| 1. Fan will not start                 | <ul style="list-style-type: none"><li>- Check wiring connections to fan.</li><li>- Check fuses and circuit breakers.</li><li>- Check wiring connections in switch housing.</li></ul> <p>CAUTION: Turn power off for last two items.</p>  |
| 2. Fan sounds noisy                   | <ul style="list-style-type: none"><li>- Check to make sure that all screws in motor housing are snug.</li><li>- Check to make sure that blade bracket screws are tight.</li><li>- Check to make sure that wire nuts in switch housing are not rattling against wall of switch housing.</li><li>- If fan has a light kit make sure switch housing screws and set screws are tight.</li><li>- Some fan motors are sensitive to signals from solid state variable controls. If solid state controller is used, change to an alternative control. (See a representative for a list of available controls.)</li><li>- Allow a 24 hour break in period to eliminate most noises.</li></ul>   |
| 3. Fan wobbles or shakes excessively. | <ul style="list-style-type: none"><li>- Check that all blades are screwed firmly into blade brackets.</li><li>- Check that blade brackets are secured firmly to motor.</li><li>- Check distance from tip of blades to ceiling.</li><li>- Check distance between blade tip to blade tip. All measurements should be equal. Loosen blade screws and position blade until even then re-tighten.</li><li>- Check that the downrod hemisphere notch is engaged in canopy.</li><li>- Check to make sure that jam screws in downrod are tightened.</li><li>- Make sure canopy and mounting bracket are tightened securely to wooden joist.</li><li>- Make sure warpage has not occurred in wooden blades. If so, contact the customer service department for replacement parts.</li></ul> |

**Supplier's Declaration of Conformity**  
**47 CFR § 2.1077 Compliance Information**

Unique Identifier: PATRIOT

Responsible Party

CanarmInc.

709 East Main Street, Teutopolis, Illinois, USA 62467

1.800.267.4427

This equipment has been tested and found to comply with the limits for a Class B digital device, pursuant to Part 15 of the FCC Rules. These limits are designed to provide reasonable protection against harmful interference in a residential installation. This equipment generates, uses and can radiate radio frequency energy and, if not installed and used in accordance with the instructions, may cause harmful interference to radio communications. However, there is no guarantee that interference will not occur in a particular installation. If this equipment does cause harmful interference to radio or television reception, which can be determined by turning the equipment off and on, the user is encouraged to try to correct the interference by one or more of the following measures:

- Reorient or relocate the receiving antenna.
- Increase the separation between the equipment and receiver.
- Connect the equipment into an outlet on a circuit different from that to which the receiver is connected.
- Consult the dealer or an experienced radio/TV technician for help.

**CAUTION:**

Any changes or modifications not expressly approved by the grantee of this device could void the user's authority to operate the equipment. This device complies with Part 15 of the FCC Rules. Operation is subject to the following two conditions: (1) This device may not cause harmful interference, and (2) this device must accept any interference received, including interference that may cause undesired operation.

---

This device contains licence-exempt transmitter(s)/receiver(s) that comply with Innovation, Science and Economic Development Canada's licence-exempt RSS(s). Operation is subject to the following two conditions:

1. This device may not cause interference.
2. This device must accept any interference, including interference that may cause undesired operation of the device.