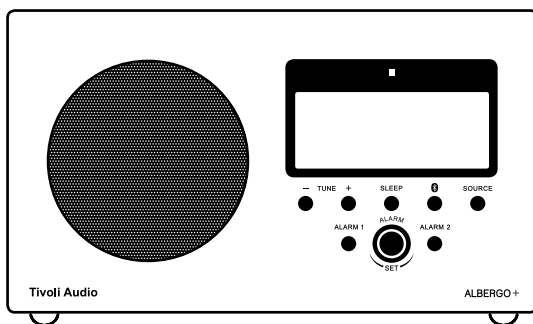


ALBERGO™ +

DAB/DAB+/DMB/FM Clock Radio



OWNER'S MANUAL



Tivoli Audio™

ALBERGO™ +

DAB/DAB+/DMB/FM Clock Radio

MULTI-LANGUAGE MANUAL

English	4
Dansk	20
Deutsch	35
Français	53
Italiano	69
Nederlands	86
Norsk	103

ALBERGO™ +

DAB/DAB+/DMB/FM Clock Radio

TABLE OF CONTENTS

Safety Instructions.....	5
Introduction; About Tivoli Audio.....	8
Front panel controls	8
Rear panel controls	10
Remote control.....	11
Digital Radio / FM / Auxiliary Menus	12
How to set alarm	14
Alarm options	15
<i>Bluetooth</i> Operation	15
Digital Radio/FM Reception; RDS; Placement; Cleaning.....	16
Warranty	17
Specifications	19




This symbol is intended to alert the user to the presence of uninsulated “dangerous voltage” within the product’s enclosure that may be of sufficient magnitude to constitute a risk of electric shock to persons.



This symbol is intended to alert the user to the presence of important operating and maintenance (servicing) instructions in the literature accompanying the appliance.

Important Safety Instructions

1. Read these instructions.
2. Keep these instructions.
3. Heed all warnings.
4. Follow all instructions.
5. CAUTION – Danger of explosion if battery is incorrectly replaced. Replace only with the same or equivalent type.
6. Warning: Batteries shall not be exposed to excessive heat such as sunshine, fire, or the like.
7. WARNING: DO NOT INGEST BATTERY, CHEMICAL BURN HAZARD. The remote control supplied with this product contains a coin/button cell battery. If the coin/button cell battery is swallowed, it can cause severe internal burns in just 2 hours and can lead to death. Keep new and used batteries away from children. If the battery compartment does not close securely, stop using the product and keep it away from children. If you think batteries might have been swallowed or placed inside any part of the body, seek immediate medical attention.
8. WARNING – To reduce the risk of fire or electric shock, do not expose this apparatus to rain or moisture.
9. Clean only with a dry cloth.
10. Do not block any ventilation openings. Install in accordance with the manufacturer’s instructions.
11. Do not install near any heat sources such as radiators, heat registers, stoves, or other apparatus (including amplifiers) that produce heat.
12. Do not defeat the safety purpose of the polarized or grounding-type plug. A polarized plug has two blades with one wider than the other. A grounding type plug has two blades and a third grounding prong. The wide blade or the third prong are provided for your safety. If the provided plug does not fit into your outlet, consult an electrician for replacement of the obsolete outlet.
13. Protect the power cord from being walked on or pinched particularly at plugs, convenience receptacles, and the point where they exit from the apparatus.

14. Only use attachments/accessories specified by the manufacturer.
15. Use only with the cart, stand, tripod, bracket, or table specified by the manufacturer, or sold with the apparatus. When a cart is used, use caution when moving the cart/apparatus combination to avoid injury from tip-over. 
16. Unplug this apparatus during lightning storms or when unused for long periods of time.
17. Operate this product only from the type of power source indicated on the rear panel. For products using an external power supply, use an exact replacement if lost or damaged. For products operating from battery power, refer to the user manual.
18. Unplug this product from the wall outlet and refer servicing to qualified service personnel under the following conditions:
 - a. When the power supply cord or plug is damaged.
 - b. If liquid has been spilled or objects have fallen into the product.
 - c. If the product has been exposed to water or rain.
 - d. If the product does not operate normally by following the operating instructions.
 - e. If the product has been dropped or damaged in any way.
 - f. When the product exhibits a distinctive change in performance.
19. When replacement parts are required, be sure your service technician has used replacement parts specified by the manufacturer or have the same characteristics as the original part. Unauthorized substitutions may result in fire, electric shock, or other hazards.
20. Upon completion of any service, ask the service technician to perform safety checks to confirm the product is in proper operating condition.
21. If the LCD becomes cracked and damaged, do not touch the liquid.
22. Keep this product a safe distance away from naked flame, such as a lit candle.
23. Do not expose this product to splashing or dripping. Objects containing liquid, such as vases or drinking glasses, should not be placed on top of this product.
24. The recommended operating temperature range is 5° C to 40° C (41° F to 104° F).
25. WARNING – The mains are not disconnected in the off position, but the circuits are de-powered.
26. The external power supply serves as the disconnect device and should remain readily accessible.

 **WARNING: THE ALBERGO+ EXTERNAL ANTENNA IS NOT INTENDED TO BE DETACHED.**



This product can be recycled. Products bearing this symbol must NOT be thrown away with normal household waste. At the end of the product's life, take it to a collection point designated for recycling of electrical and electronic devices. Find out more about return and collection points through your local authority.

The European Waste Electrical and Electronic Equipment (WEEE) Directive was implemented to dramatically reduce the amount of waste going to landfills, thereby reducing the environmental impact on the planet and on human health. Please act responsibly by recycling used products. If this product is still useable, consider giving it away or selling it.

Albergo+ Instructions

Congratulations on your purchase. We believe the Albergo+ to be one of the finest DAB/DAB+/DMB/FM table radios on the market today. We know you are eager to begin listening to your new radio, but in order to take full advantage of what your radio is capable of, please take a moment to read this owner's manual and the safety instructions. If you have any questions, please do not hesitate to contact your dealer or Tivoli Audio.

Please save the carton and original packing should you ever need to ship your radio, as shipping damage is not covered by the factory warranty.

On behalf of all of us, thank you for choosing Tivoli Audio, and enjoy your Albergo+!

About Tivoli Audio

Tivoli Audio was founded by Tom DeVesto with the mission of bringing simple to use, elegantly designed, high quality audio products to consumers. As CEO and head of research and development at his former company, Cambridge SoundWorks, Tom was responsible for the development of many of the best selling home entertainment and multi-media products on the market. He also held senior management positions in product development at both Advent and Kloss Video.

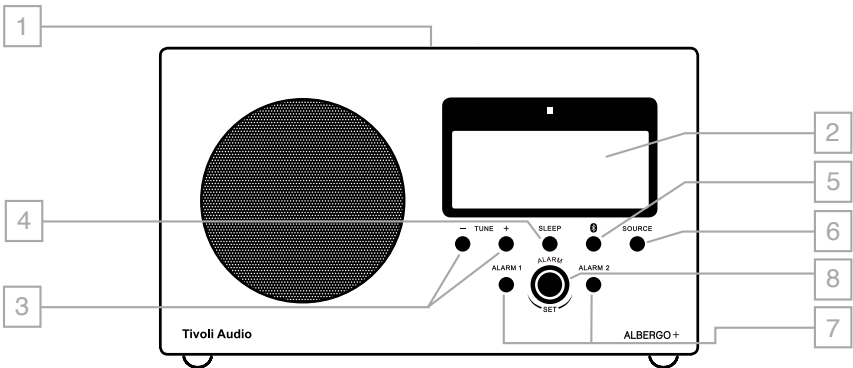
*Cambridge SoundWorks is a registered trademark of Creative Labs, Singapore.

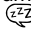
Packed with your Albergo+ you should find one each:

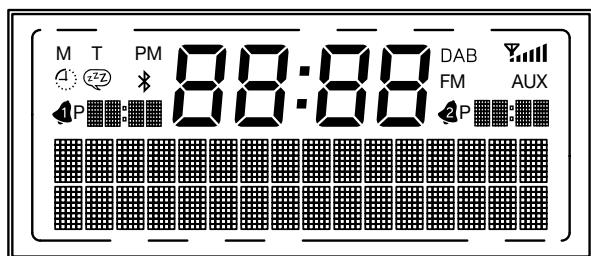
- 1 External Power Supply
- 1 Remote Control (battery installed)

Please contact your dealer or Tivoli Audio if any of these items are missing.

Guide to Features (Front Panel)



1. **MULTI-FUNCTION CONTROL WHEEL (TOP):** The control wheel conveniently serves many functions:
 - a. **Power:** When the Albergo+ is off, press to power the unit on. When the Albergo+ is on in any source, press to power the unit off.
 - b. **Volume:** When the Albergo+ is on in any source, rotate clockwise to increase the volume level and counter-clockwise to decrease the volume level.
 - c. **Snooze:** Press to engage Snooze when the alarm sounds. An  icon will show on the display when Snooze is active. The Snooze time is fixed at 10 minutes. Pressing the Snooze button again while still in Snooze mode will re-set the Snooze timer back to 10 minutes. While the alarm is sounding, press and hold down the Snooze button to turn off the alarm and the unit, or press the respective alarm button.
2. **LCD:**



88:88 : (center digits): Time

AUX: Auxiliary

FM: FM band

 : Sleep timer

 : Reception level

 : *Bluetooth* mode

 : Snooze timer

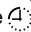



DAB: DAB/DAB+ band

M: Mono

  : Alarms 1 and 2

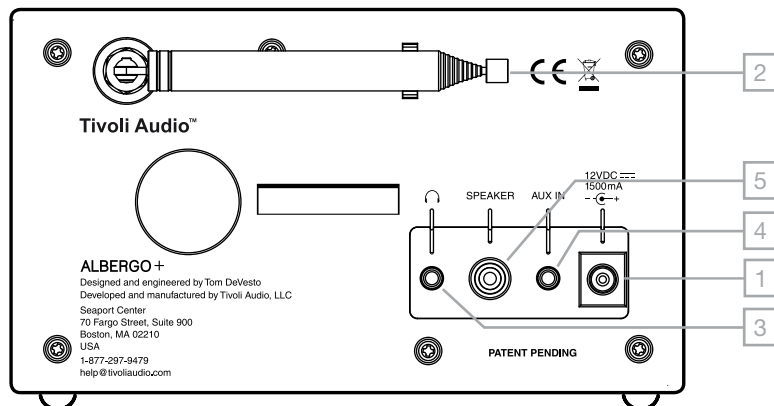
PM: When 12 hour clock is selected

T: Manual tuning mode

3. **TUNE +/-:** In DAB mode, use these buttons to show all available DAB/DAB+ stations. Use the +/- buttons to highlight specific stations and the highlighted DAB station will tune automatically after 3 seconds, or press the Enter button on the remote control. FM: Press the Tune +/- buttons briefly to Auto Scan to the next station detected. See “Auto Scan” under “FM Menu” on how to disable Auto Scan and tune stations manually.
4. **SLEEP:** Press repeatedly to activate the amount of time the radio will play before it turns off automatically, and or press the Select button on the remote control to select that time. A small clock face  will show on the display when the Sleep timer is active. To cancel Sleep, press the Sleep button until the display shows “Off”.
5. ** BLUETOOTH:** Press to enter *Bluetooth* mode. See “*Bluetooth* Operation” for more information. Press and hold the *Bluetooth* button to clear the memory of all paired devices. The display will show “Memory Cleared”.
6. **SOURCE:** Press repeatedly to change sources.
7. **  ALARM 1 AND 2:** Press to set the desired wake time for either alarm and automatically set the alarm to wake.
8. **ALARM KNOB:** After pressing either Alarm button, rotate this knob to set the hour and push the knob in to Enter, then do the same for the minutes and press the knob in when done, or the alarm time will set automatically after 3 seconds. The alarm will be set to




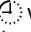


wake. Each alarm's wake time will be shown in the display. Press the respective Alarm button again to cancel the alarm. **Please also see “How to Change Alarm Settings and Set the Alarm Via the Main Menu” for additional very important Alarm settings.**

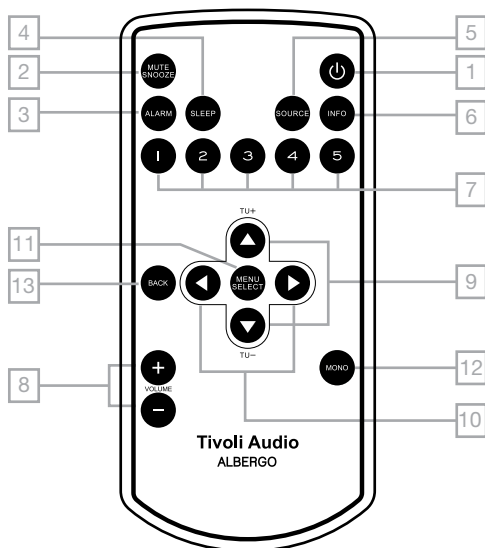
Guide to Features (Rear Panel)



1. **12VDC/1500mA:** Use this input to operate the Albergop+ using its included external power supply. **Use only the power supply provided with this product.** Should the power supply become damaged or misplaced, use only a like replacement. Any DC adapter used must meet the requirements of EN/IEC 60065 and be rated at 12VDC 1500mA and 230V 50Hz (depending on your region's power requirements). Use of any DC adapter not recommended by the manufacturer/not meeting this specification may cause a safety hazard. The connector is 5.5 mm/2.1 mm center positive. It is normal for the power supply to become warm during use.
2. **EXTERNAL ANTENNA:** An external telescoping antenna is affixed to this input and is not intended to be detached. Adjust for best reception. For more, see the section marked “Digital Radio/FM Reception”.
3. **HEADPHONE OUT:** Connect a headset (not included) to this variable stereo output for private listening. The headset will mute the primary speaker. The headset's volume is adjusted using the control wheel or the remote control. The remote's “Mono” button also affects this output. This stereo output accepts a 3.5 mm stereo male mini connector. Avoid using headphones at high volume levels to prevent possible hearing damage.
4. **AUX IN:** To hear audio from another device, such as Tivoli Audio's Model CD, a MP3 player, or TV, connect said device's audio output to this stereo input and change the source to Auxiliary. This stereo input accepts a 3.5 mm stereo male mini connector. **Note: you may need to adjust the volume level differently for an auxiliary device than the level used for radio listening.**
5. **Speaker:** Connect the male RCA cable from the optional Tivoli Audio Albergop+ Speaker to this female RCA output. Make sure the Stereo/Mono setting is set to Stereo by pressing the Mono button on the remote control and be sure the display doesn't show “M” for mono.

Guide to Features (Remote Control)

- POWER:** Press briefly to power the Albergo+ off or on. The radio will power on to the last source used.
- MUTE/SNOOZE:** Press to mute the audio while the unit is playing; press again or adjust the volume to restore sound. Press to mute the alarm for 10 minutes after the alarm sounds. A  icon will show on the display when Snooze is active. The Snooze time is not adjustable. Pressing the Snooze button again while still in Snooze mode will re-set the Snooze timer back to 10 minutes.
- ALARM:** With the Albergo+ powered on, use the  and  Select buttons to adjust and set the alarms. **Please also see “How to Change Alarm Settings and Set the Alarm Via the Main Menu” for additional very important Alarm settings.**
- SLEEP:** Press repeatedly to activate the amount of time the radio will play before it turns off automatically, and or press the Select button on the remote control to select that time. A small clock face  will show on the display when the Sleep timer is active. To cancel Sleep, press the Sleep button until the display shows “Off”.
- SOURCE:** Press repeatedly to change sources.
- INFO:** Press repeatedly to cycle through the information available depending on the source mode you are in.
- PRESETS 1-5:** Press and hold to store the currently tuned station. Press briefly to recall the station associated with that specific preset. In FM mode, the preset number will be indicated on the display. There are 5 presets for each band.
- VOLUME +/-:** Press the Volume + button to raise the volume level or the Volume – button to lower the volume level. If the audio ever sounds distorted, lower the volume level to avoid damaging the speaker. Adjusting the volume while the Albergo+ is muted will cancel the muting.
- ▲▼/TUNE +/-:** Press to adjust menu items when in the Menu. In DAB mode, use these buttons to show all available DAB/DAB+ stations. Use the   buttons to highlight specific stations and the highlighted DAB station will tune automatically after 3 seconds, or press the Enter button on the remote control. FM: Press the Tune +/- buttons briefly to Auto Scan to the next station detected. See “Auto Scan” under “FM Menu” on how to disable Auto Scan and tune stations manually.
- ▶▶:** The right arrow button duplicates the Select button. The left arrow button moves you to the previous page in certain menu items.



11. **MENU/SELECT:** Press and hold to enter the main menu within each source mode and press briefly to select items within the menu. For more, see the sections below marked “Menu” for DAB, FM, and Auxiliary Menus.
12. **MONO:** Press to change the Stereo/Mono setting. The display will show “M” for mono. This setting also affects the headphone output. For more, see the section marked “Digital Radio/FM Reception”.
13. **BACK:** Press to go back to the previous menu page.

Note: With the Albergo+ in standby, you can control the display's backlight without having to turn the Albergo+ on and accessing the menu. Press the remote's ▲ button twice to turn the backlight off. Press the remote's ▲ button to turn the backlight on for 10 seconds. Press the remote's ▲ button two more times to restore the backlight.

Digital Radio (DAB/DAB+) Menu

In DAB mode, press and hold the Menu button on the remote to enter the main menu. Use the ▲▼ buttons and the Select button to change the items within the menu. Use the Back button to navigate back.

An asterisk (*) indicates the shown menu item is currently set.

Note: Upon entering Digital radio mode, if the Station List is empty, an auto scan will initiate.

Note: The Main Menu will time out if no action is taken after nine seconds.

1. **AUTO SCAN:** Searches the entire frequency range. If you move the Albergo+ to another location, you must perform a new scan so the radio will find stations in the new location. To cancel the auto scan, press the Back button on the remote.
2. **TIVOLI EQ:** Press the Select button and use ▲▼ and Select buttons to adjust the Bass and Treble. The adjusted values will be shown in “User EQ”. Press the Select button to turn Loudness On or Off. Turning Loudness on when listening at low volume levels is recommended since it boosts high and low frequencies resulting in a more natural sound. Use the ▲▼ and Select buttons to activate any one of the pre-set EQ settings. Selecting a preset EQ will over-ride any adjustment made to the Bass and Treble settings, but Loudness will be unaffected. The “Flat” EQ restores the audio settings to the factory defaults, meaning Bass and Treble will be re-set to zero. The “Flat” EQ also restores Loudness Off. However, if the Bass and Treble had been adjusted, those settings will still be shown in “User EQ”. Simply selecting “User EQ” will reactivate the Bass and Treble settings. In the EQ menu page, the numbers to the right hand side indicate the bass and treble settings.
3. **MANUAL TUNE:** Press the ▲▼ buttons to manually tune specific DAB/DAB+ frequencies. The highlighted DAB station will tune automatically after 3 seconds, or press the Enter button on the remote control.
4. **DRC:** Dynamic Range Control allows you change the sound level of stations to make quiet passages louder to compensate for a noisy environment, or when listening at a low volume level.
5. **SETTINGS (A-F):**
 - A. **ALARM:** See “How to Change Alarm Settings and Set the Alarm Via the Main Menu.”
 - B. **TIME:**

Set Time/Date: Press the Select button and use ▲▼ and Select buttons to adjust the hour and then minutes. You must also set the Auto update to “No update”. For more, refer to “Auto update” below.

Auto Update: Press the Select button and use ▲▼ and Select buttons to choose between “Update from any”, “Update from DAB”, or “Update from FM” (RDS). For any of the auto updates to work, you must have consistent reception of DAB or FM RDS with a time/date signal provided. It could take up to a minute or more for the clock to update. Tivoli Audio is not responsible for inaccurate time/date information provided by the auto update signal. To set the clock manually, select “No Update”, and then select “Set Time/Date” under the “Time” menu using the ▲▼ buttons and the Select button to set the hour. Repeat to set the minutes and press Select to save.

Set 12/24 Hour: Press the Select button and use the ▲▼ and Select buttons to choose 12 or 24 hour clock format.

Set Date Format: Press the Select button and use the ▲▼ and Select buttons to choose the date format you prefer.

C. BACKLIGHT:

Timeout: The backlight level can be constant regardless of whether you are using any controls on the Alberg+ or not (this is the way the Alberg+ is configured from the factory), or you can customize the backlight to automatically change to a “Dim level” setting after a fixed period of time for as long as no controls are being used. Once a control on the unit or the remote is pressed, the normal backlight level is restored. Press Select and use the ▲▼ and the Select buttons to set the amount of time it will take for the backlight to change to the dim level from 10, 20, 30, 45, 60, 90, 120, or 180 seconds, or to keep the timeout feature Off.

On Level: Press Select and use the ▲▼ and Select buttons to choose the intensity of the backlight.

Dim Level: If you selected a time for the backlight to change to a dim setting under “Timeout”, then press Select and use the ▲▼ and Select buttons to choose the intensity of the backlight when it changes to this dim setting.

- D. **LANGUAGE:** Press Select and use the ▲▼ and Select buttons to set your language.
- E. **FACTORY RESET:** Press Select and use the ▲▼ and Select buttons to confirm (Yes) or reject (No) the factory reset. A factory reset will restore factory defaults and cancel all your personal settings such as presets and language. Also see the section marked “Digital Radio/FM Reception”.
- F. **ID:** Press Select to view the ID. If you contact your dealer or Tivoli Audio with a question, you may be asked to provide the number shown in this field.

FM Menu

In FM mode, press and hold the Menu/Select button on the remote to enter the main menu. Use the ▲▼ buttons and the Select button to change the items within the menu. Use the Back button to navigate back. An asterisk (*) indicates the shown menu item is currently set.

Note: The Main Menu will time out if no action is taken after nine seconds.

- 1. **SCAN SETTING:** Press the Select button and use ▲▼ and Select button to choose between “Strong stations only” or “All stations” when performing an auto scan (see #9 (▲▼/Tune +/-) under “Remote Control”). Selecting “All stations” increases the sensitivity of the scan, possibly resulting in the auto seek stopping on noise.

2. **AUTO SCAN (NOT IN AUX MENU):** Press the Select button and use ▲▼ and Select buttons to enable or disable Auto Scan. When enabled, Auto Scan will automatically tune the next station received each time the Tune +/- buttons are pressed. When disabled, the Tune +/- buttons can be used to manually navigate the frequencies.
3. **RDS:** Press the Select button and use the ▲▼ and Select buttons to choose between Enabling or Disabling FM RDS text. For more, see “RDS”.
4. **TIVOLI EQ:** See the description under “Digital Radio Menu”.
5. **SETTINGS:** See the description under “Digital Radio Menu”.

Auxiliary Menu

In Auxiliary mode, press and hold the Menu/Select button on the remote to enter the main menu. Use the ▲▼ buttons and the Select button to change the items within the menu. Use the Back button to navigate back. An asterisk (*) indicates the shown menu item is currently set.

Note: The Main Menu will time out if no action is taken after nine seconds.

1. **TIVOLI EQ:** See the description under “Digital Radio Menu”.
2. **ALARM 2:** If you do not expect to use Alarm 2 or are afraid Alarm 2 may be set in error, press the Select button and use the ▲▼ and Select buttons to Disable Alarm 2.
3. **SETTINGS:** See the description under “Digital Radio Menu”.
4. **VOLUME LIMIT:** If you wish to reduce the maximum volume level so as not to disturb others, press the Select button and use the ▲▼ and Select buttons to choose between Volume limit 26 or 22. Selecting “Off” keeps the maximum volume at the factory default setting of 30. Note reducing the overall volume level will also reduce the level of the alarm’s volume when the alarm sounds.
5. **BLUETOOTH LEVEL:** Use the ▲▼ and Select buttons to select “Low” should you wish to reduce the range of the *Bluetooth* signal. This may be desirable if the *Bluetooth* feature will only be used when you are in very close proximity to the radio. We recommend this setting remain in the “Normal” position.

How to Change Alarm Settings and Set the Alarm Via the Main Menu

1. With the Alberg+ powered on, access the alarm setting through the main menu in DAB, FM, or Aux modes by pressing and holding the Menu button on the remote. Once in the Menu, select “Settings” and “Alarm”.
2. Alarm 1 is shown first. Use the ▲▼ and Select buttons to choose between Alarm 1 and Alarm 2. Note: At any point you can navigate through the alarm menu by using the back or left arrow buttons, and the Select or right arrow buttons.
3. Use the ▲▼ and Select buttons to set the alarm on or off.
4. Use the ▲▼ buttons to set/change the hour, then press Select. Repeat this process to set/change the minutes, followed by AM/PM (if time is set to 12 hour format), then press Select.
5. Use the ▲▼ buttons to select the source you wish to wake to, then press Select. If you set the source to DAB (includes DAB+) or FM, use the ▲▼ buttons to select the station preset (if presets have been stored) or last listened, then press Select.

6. Use the ▲▼ buttons to set how often the alarm should be set to wake, then press Select.
7. Lastly, use the ▲▼ buttons to set the volume level of the alarm, then press Select. To ensure there is sound when the alarm activates, the alarm's volume level cannot be set below a minimum level. Also, if enabled, the "Volume Limit" feature under the Auxiliary Menu will affect the alarm volume.
8. Repeat this process for Alarm 2 if desired.

If you make a mistake at any point in the process, press the Back button on the remote and begin again.

Note: Your settings will not be saved unless you complete the entire process and the display shows "Alarm Saved".

Note: If you set the alarm source to DAB and the last listened or preset station is unavailable at the time the alarm sounds, the alarm will default to the tone.

Power Loss: Should power be lost, or the Albergo+ becomes disconnected, the alarm time will be saved but the Albergo+ alarm cannot sound if there is no power.

Alarm Options

The alarm sounds with a gradual volume increase. When the alarm sounds you can activate the Snooze feature or shut the alarm off.

Snooze: To activate Snooze while the alarm is sounding, press the Snooze button on the remote, or briefly press the Multi-Function Control Wheel on top of the unit. The Snooze time is not adjustable. Pressing the Snooze button again while still in Snooze mode will re-set the Snooze timer back to 10 minutes. While the alarm is sounding, press and hold down the Snooze top wheel to turn off the alarm and the unit, or press the respective alarm button.

Alarm off: To stop the alarm while it is sounding, press the Alarm button on the unit or remote, or press and hold the Multi-Function Control Wheel on top of the unit. You can also press the Power button on the remote.

Alarm Quick Set: With the Albergo+ in Standby, repeatedly press the alarm button on the remote briefly to toggle each alarm on or off.

Bluetooth Operation

Prior to pairing, verify your device supports *Bluetooth* 2.1+EDR A2DP and your device is not connected to any other *Bluetooth* product. Devices may pair differently. Below is a general guide.

1. Press the Albergo+'s front panel *Bluetooth* button or change the source to *Bluetooth*. This will power on the *Bluetooth*. Turn the volume up about ¼ to start. Also turn up the volume on the source device (the device you are streaming from).
2. Turn on the *Bluetooth* wireless technology on your enabled device.
3. Select "Tivoli *Bluetooth* (Not Paired)" when it appears on your device's screen to initiate searching. Some devices may prompt you for a PIN. If so, enter "0000". "Tivoli *Bluetooth*" will change from "Not Paired" to "Connected".
4. You will hear a ring tone from the Albergo+ confirming connection and you can begin playing your music files wirelessly. Adjust the volume level on your device. You should not have to pair your device again. **Depending on your device, you may need to make multiple attempts at Pairing and/or Connecting to the Albergo+, but please give your device adequate time to Pair or Connect before repeating the process.**

Pairing A Bluetooth Wireless Technology Enabled iPhone/iPod Touch/iPad

1. Press the Albergo+'s front panel *Bluetooth* button or change the source to *Bluetooth*. This will power on the *Bluetooth*. Turn the volume up about $\frac{1}{4}$ to start. Also turn up the volume on the source device (the device you are streaming from).
2. Select "Settings" (depending on software version).
3. Select "General".
4. Select "*Bluetooth*".
5. Switch *Bluetooth* "On" to initiate searching.
6. Select "Tivoli *Bluetooth* (Not Paired)" when it appears on the display. If you are prompted to enter a PIN, enter "0000". "Tivoli *Bluetooth*" will change from "Not Paired" to "Connected".
7. You will hear a ring tone from the Albergo+ and you can begin playing your music files wirelessly. Adjust the volume level on your device. You should not have to pair your iPhone/iPod/iPad again.

The volume output level of music files varies. If you prefer an even higher output level, check the settings in your iPhone/iPod touch/iPad: Set the EQ Off, the SoundCheck Off, and the Volume limit Off.

If you encounter a problem Pairing, press the small arrow to the right of "Tivoli *Bluetooth*" on your iPhone/iPod touch/iPad display and select "Forget this Device", then repeat the Pairing process. **Depending on your device, you may need to make multiple attempts at Pairing and/or Connecting to the Albergo+, but please give your device adequate time to Pair or Connect before repeating the process.**

When streaming music, you can press the blue arrow to the right of the next track button >>/ on the iPhone/iPod touch/iPad display to alternate between the iPhone/iPod/iPad and *Bluetooth*.

NOTE:

- The Albergo+ will remember pairing information for up to 8 devices. Additional devices can be paired, but the least-recently used device will be replaced by the newly paired device.
- If the audio drops out or stops during playback, move your device closer to the Albergo+, or check to be sure another wireless device is not interfering with the signal.
- When switching from *Bluetooth* to DAB or FM, you may need to re-adjust (lower) the radio's volume level.

Digital Radio/FM Reception

The included external antenna will provide good reception. In strong FM signal locations, reducing the antenna's length may provide better reception.

If you are using the Albergo+ together with the optional Albergo Speaker for stereo sound and you are listening to a noisy FM station, press the Mono button on the remote control, as this might make the FM station more listenable. The display will show an "M" when in mono

Buildings made with concrete, steel, or aluminum siding will hinder reception. Household appliances, electric blankets, computers, CD players, and other electronic devices can also

adversely affect reception or inject noise. If you experience this, move the Albergo+ further from the offending device or plug it into an electrical outlet not shared by another device.

Note: When moving the Albergo+ to another location where there may be different DAB stations from the previous location, it is recommended to perform a factory reset to initiate a new scan to refresh the DAB station list.

DAB Display Messages

Secondary Services: Secondary stations will be indicated by a >> symbol next to the station name. Secondary services may not be available in your area.

“?”: If this symbol appears next to the station name, it means the station is invalid or inactive.

“Not Available”: Shown when tuning a DAB station with an insufficient signal.

RDS (FM Band only)

The Radio Data System (RDS) transmits text data along with the audio broadcast. Not all FM stations utilize this service, thus text may not be present with some stations. For stations broadcasting RDS, the text still might not appear, or might appear scrambled if the signal is too weak. In such cases, experiment with the position of the FM antenna. If RDS is being received, repeatedly press the Info button to see the information available. Note RDS content is determined by each individual FM station.

Placement

Place the Albergo+ on a flat, stable surface. For proper bass and ventilation, do not obstruct the rear bass port. The Albergo+ is not video shielded and should be kept at minimum of 127 mm away from a computer monitor or television set. Placement in a bookcase, cabinet, or close to walls or corners may inflate the bass, creating an unnatural sound.

Cleaning

Never use any harsh cleansers or solvents on your radio.

Limited Warranty

Tivoli Audio manufactures its products to very high standards and we are confident our products will perform well. Accordingly, we provide a limited warranty on this product against manufacturing defects in material and workmanship to the original owner. This warranty is non-transferable.

Products purchased in the European Union and Norway have a minimum warranty term of two years. For countries where minimum warranty terms are determined by statute, the warranty term is the statutory period required. In all other locations, the warranty term is one year.

This Limited Warranty covers the functionality of the product for its normal, intended use as specified in this Owner's Manual. It does not cover a malfunction or damage that has resulted from improper or unreasonable use or installation, using the charger to charge alkaline batteries, faulty ancillary equipment, modifications, unauthorized repair, shipping damage or loss, abuse, accidents, use on improper voltage/current, power surges, lightning or other acts of God, excess moisture, normal wear and tear, commercial use, or purchase from unauthorized dealers. Proof of purchase as evidence the unit was purchased from an authorized dealer may be required for warranty service.

Please contact the dealer of purchase or local distributor for warranty service or repair.

Please refrain from opening this product or taking it apart as doing so will void this Limited Warranty. There are no user serviceable parts inside. Tivoli Audio will not pay for costs incurred due to correction of reception problems, elimination of externally generated static/noise, loss of time, inconvenience, loss of use of product, or damage caused by improper use of this product.

In the event the product is returned during the warranty term and is eligible for service under this Limited Warranty, we will repair or replace any defective parts within a reasonable period of time and free of charge.

THIS LIMITED WARRANTY GIVES YOU SPECIFIC LEGAL RIGHTS SUBJECT TO SPECIFIED CONDITIONS. YOU MAY ALSO HAVE OTHER LEGAL RIGHTS WHICH APPLY TO THE PRODUCT YOU HAVE ACQUIRED. THESE LEGAL RIGHTS VARY FROM COUNTRY TO COUNTRY. SOME PLACES DO NOT ALLOW THE EXCLUSION, RESTRICTION, OR MODIFICATION OF CERTAIN IMPLIED RIGHTS OR THEIR EFFECT. IN THOSE SITUATIONS THIS LIMITED WARRANTY WILL ONLY APPLY TO THE EXTENT THAT THE APPLICABLE LAW ALLOWS.

The laws of your country may provide you with legal claims against the seller or manufacturer of this product. This Limited Warranty does not affect those rights.

The provisions of the Limited Warranty are in lieu of any other warranties or conditions, except those provided by law. This Limited Warranty does not affect any legal rights provided to you by law and does not preclude any remedy you may have under law.

In countries where liability limits are not precluded by statute, the maximum liability of Tivoli Audio shall not exceed the purchase price paid by you for the product. In countries where limitations of liability are precluded by law, Tivoli Audio shall be liable for no more than the direct damages for bodily injury, and/or real or personal property arising from the negligence of Tivoli Audio.

Where not prohibited by law, Tivoli Audio shall not be liable for special, incidental, consequential, or indirect damages. Some places do not allow limitations on the exclusion or limitation of relief, special, incidental, consequential or indirect damages, or the limitation of liability to specified amounts, so the above limitations or exclusions may not apply to you.

This Limited Warranty is void if the label bearing the serial number has been removed or defaced.

If you purchased an extended service contract from your dealer and service is required after the term of this Limited Warranty has expired, please contact your extended service contract provider to obtain service.

For your convenience, you may register your product for warranty service online at our website www.tivoliaudio.com. There is no legal obligation for you to provide personal information. However, such information allows us to maintain a record of the Tivoli Audio products acquired by you and better understand the purchasers of our products. The information collected will be used for marketing purposes by Tivoli Audio and, where permitted, to contact you in relation to the products you have acquired or other products which might be of interest to you from Tivoli Audio or other companies. The information that you provide may be processed in another country.

Specifications

Model:	Tivoli Audio Albergo+
Type:	DAB/DAB+/DMB/FM clock radio with <i>Bluetooth</i> wireless technology
Drivers:	76.2 mm (3") full range driver
Receiving bands:	FM:87.5-108MHz DAB (Band III)/DAB+: 174-240MHz (Receiving ranges vary by region)
Power:	12VDC nominal - 15 VDC maximum, 1500 mA
Power Supply:	Tivoli Audio 1.5A- CE
FM De-Emphasis:	50uSec or 75uSec (depending upon region)
Dimensions:	110 mm H x 186 mm W x 129 mm D (4.34"H x 7.32"W x 5.22"D)
Weight:	1.0 kg (2.2 lbs.)

All specifications subject to change without notice. Tivoli Audio reserves the right to make product changes without notice. Tivoli Audio, the Tivoli Audio logo, Albergo, Albergo+, and the Albergo Speaker are trademarks of Tivoli Audio, LLC. The *Bluetooth* word mark and logos are registered trademarks owned by Bluetooth SIG, Inc. and any use of such marks by Tivoli Audio is under license. iPod, iPod touch, iPhone, and iPad are trademarks of Apple Inc., registered in the U.S. and other countries. Other trademarks and trade names are those of their respective owners.



ALBERGO™ +

DAB/DAB+/DMB/FM Clock Radio

INDHOLDSFORTEGNELSE

Sikkerhedsinstruktioner	21
Introduktion; Om Tivoli Audio	23
Guide til funktioner på frontpanel	23
Guide til funktioner på bagpanel	25
Fjernbetjening	26
Menuerne Digital radio/FM/Auxilliary	27
Sådan indstilles alarm	30
Alarm muligheder	30
<i>Bluetooth</i> Brug	31
Digital Radio / FM Modtagelse; RDS; Placering; Rengøring	32
Garanti	33
Specifikationer	34



Dette symbol har til formål at gøre opmærksom på, at der inde i dette produkt forekommer steder med uisoleret strøm, og som følge deraf kan forårsage alvorlig elektrisk stød ved berøring.



Dette symbol har til formål at gøre opmærksom på, at der i brugervejledning til dette produkt er nøje specificeret, hvordan produktet skal anvendes og serviceres såfremt der opstår fejl.

Vigtige Sikkerhedsinstrukser

1. Læs disse instrukser.
2. Gem disse instrukser.
3. Lyt til alle advarsler.
4. Følg alle instrukser.
5. **FORSIGTIG** – Der er eksplosionsfare, hvis batteriet udskiftes forkert. Udskift kun et batteri med et andet af samme eller tilsvarende type.
6. **ADVARSEL:** Undlad at udsætte batterier for stærk varme som f.eks. direkte sol, ild eller lignende.
7. **ADVARSEL: SLUG IKKE BATTERIET – FARE FOR KEMISKE FORBRÆNDINGER.** Fjernbetjeningen, der følger med dette produkt, indeholder et mønt-/knapcellebatteri. Hvis mønt-/knapcellebatteriet sluges, kan det forårsage alvorlige indre forbrændinger på blot 2 timer, hvilket kan være livsfarligt. Opbevar nye og brugte batterier utilgængeligt for børn. Hvis batterirummet ikke lukker ordentligt, skal du ophøre med at bruge produktet og opbevare det utilgængeligt for børn. Hvis du har mistanke om, at batteriet kan være blevet slugt eller er kommet ind et andet sted i kroppen, skal du straks søge læge.
8. **ADVARSEL** – For at nedsætte risikoen for brand eller elektrisk chok, må dette apparat ikke udsættes for regn eller fugt.
9. Rengøres kun med en tør klud.
10. Bloker ikke ventilationsåbninger. Installer i overensstemmelse med fabrikantens instrukser.
11. Må ikke installeres nær andre varmekilder så som radiatorer, varmeriste, ovne eller andre apparater (inklusive forstærkere) som producerer varme.
12. Omgå ikke sikkerhedsformålet med et polariseret eller jordforbindelsesstik. Et polariseret stik har to blade og det ene blad er bredere end det andet. Et jordforbindelsesstik har to blade og et tredje jordforbindelsesben. Det brede blad på det tredje ben er der for din sikkerhedsskyld. Hvis det medførende stik ikke passer ind i din stikkontakt, bedes du kontakte en elektriker for at udskifte den forældede stikkontakt.
13. Beskyt strømkablet så man ikke kan træde på det eller klemme det især ved stik, stikdåser og der hvor de er tilsluttet apparatet.
14. Brug kun de vedhæftelser/tilbehør som fabrikanten har specificeret.

15. Må kun bruges sammen med det rullebord, den stand, det stativ, det beslag eller bord som fabrikanten har specificeret, eller som blev solgt sammen med apparatet. Når man bruger et rullebord skal man være forsigtig, når man flytter apparatet på rullebordet, så man undgår skade hvis det tipper.



16. Træk stikket ud på apparatet i tordenvejr eller hvis det ikke bruges i længere tid.

17. Brug kun dette produkt fra den type strømkilde, som er indikeret på bagpanelet. For produkter som bruger en ekstern strømforsyning skal man erstatte den med en identisk strømforsyning, hvis den forsvinder eller beskadiges. For produkter som bruger batteristrøm henvises til brugermanualen.

18. Træk produktet ud af stikkontakten og kontakt en kvalificeret servicetekniker for service i følgende tilfælde:

- Hvis strømkablet eller stikket er beskadiget.
- Hvis der er spildt væske eller hvis der er kommet noget i produktet.
- Hvis produktet er blevet udsat for vand eller regn.
- Hvis produktet ikke fungerer normalt, når man følger brugsanvisningerne.
- Hvis man har tabt produktet, eller det på nogen måde er blevet beskadiget.
- Når produktets performance ændrer sig i betydelig grad.

19. Når det er nødvendigt at bruge reservedele, skal du sørge for at serviceteknikeren bruger de reservedele, som fabrikanten specificerer eller at de har samme karakteristika som den originale del. Uautoriserede erstatninger kan forårsage brand, elektrisk chok eller andre farer.

20. Når der er blevet udført service, skal du bede serviceteknikeren om at udføre sikkerhedstjek for at bekræfte at produktet fungerer korrekt.

21. Hvis LCD displayet revner eller bliver beskadiget, må væsken ikke berøres.

22. Hold sikker afstand mellem dette produkt og åben ild så som et tændt stearinlys.

23. Apparatet må ikke udsættes for dryp eller stænk og ting der er fyldt med væske, så som en vase, må ikke stilles på apparatet.

24. Den anbefalede temperatur for brug er mellem 5 °C og 40 °C (41°F - 104°F).

25. ADVARSEL – Forsyningsnettet er ikke frasluttet, når det står på "off", men der er ingen strøm i kredsløbene.

26. Den eksterne strømforsyning fungerer som afbryder og skal være let tilgængelig.

 **ADVARSEL: DEN EKSTERNE ANTENNE PÅ ALBERGO+ BØR IKKE AFMONTERES.**



Dette produkt kan genbruges. Produkter med dette symbol må IKKE smides væk sammen med almindeligt husholdningsaffald. Når du vil smide produktet ud, bedes du tage det til et indsamlingssted for genbrug af elektriske og elektroniske anordninger. Få mere information om steder for returnering og indsamling hos din lokale myndighed.

Det europæiske direktiv om affald af elektrisk og elektronisk udstyr (WEEE) blev implementeret for at stærkt nedsætte mængden af affald som ender på i lodsepladsen og derved nedsætte den miljømæssige påvirkning på jorden og på menneskers helbred. Udvis venligst ansvarlighed ved at genbruge brugte produkter. Hvis dette produkt stadig kan bruges, bedes du overveje at forære det væk eller sælge det.

Albergo+ - Instruktioner

Tillykke med din nye Tivoli Audio Albergo+. Vi tror på, at Albergo+ er en af de fineste DAB / DAB + / DMB / FM bordsradioer på markedet i dag. Vi ved, at du sikkert er ivrig efter at begynde at lytte til din nye radio, men tag dig tid til at læse denne sikkerheds- og brugervejledning for at få det fulde udbytte af dit nye produkt. Hvis du har spørgsmål, kan du kontakte din lokale forhandler eller distributør.

Vi anbefaler, at den originale emballage gemmes, således at produktet kan pakkes korrekt ned ved forsendelse til og fra service-værksted, da garantien ikke dækker skader påført produktet under forsendelse, hvor årsagen skyldes dårlig eller forkert indpakning.

Tak fordi du valgte Tivoli Audio og god fornøjelse med Albergo+!

Om Tivoli Audio

Tivoli Audio blev startet af Tom DeVesto som havde en mission om at bringe brugervenlige og elegant designede audioprodukter af høj kvalitet til forbrugerne. Som administrerende direktør og chef for forskning og udvikling på hans tidligere arbejdsplads, Cambridge SoundWorks*, var Tom ansvarlig for at udvikle mange af de home entertainment og multimedie produkter, der sælger bedst på markedet. Han arbejdede også i topledelsesstillinger indenfor produktudvikling hos både Advent og Kloss Video.

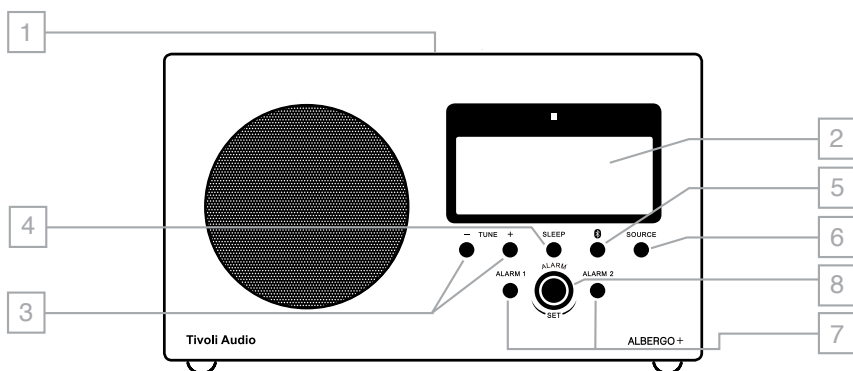
*Cambridge SoundWorks er et registreret varemærke tilhørende Creative Labs, Singapore.


I æsken med Albergo+ skal følgende være inkluderet:

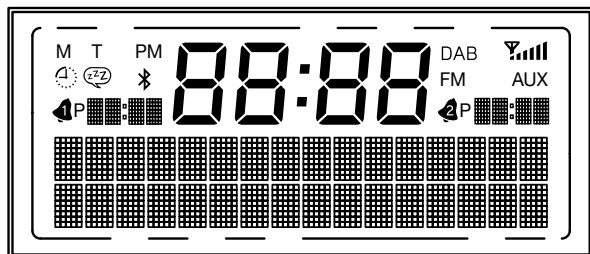
- 1 ekstern strømforsyning
- 1 Fjernbetjening (batteri inkl.)

Kontakt venligst din forhandler, hvis nogen af disse genstande mangler.

Guide Til Funktioner (Front)



1. **MULTI-FUNKTION KONTROLHJUL (TOP):** Kontrolhjulet gør det muligt for dig at benytte dig af mange funktioner:
 - a. **Power:** Enheden tændes og slukkes her.
 - b. **Volume:** Når Albergo+ er tændt, roteres med uret for at øge lydstyrken og mod uret for at sænke lydstyrken.
 - c. **Snooze:** Tryk for at snooze, når alarmen er sat til. Et  ikon vises på displayet, når snooze er aktiveret. Snooze time er sat til 7 minutter. Tryk igen for at annullere snooze.
2. **LCD:**



88:88 : (center digits): Klokkeslæt

 : Snooze-timer

AUX: Auxiliary


DAB: DAB/DAB+ band

FM: FM-båndet

M: Mono

 : Sleep-timer


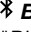

  : Alarm 1 og 2

 : Niveau for modtagelse

PM: Når 12-timers uret er valgt

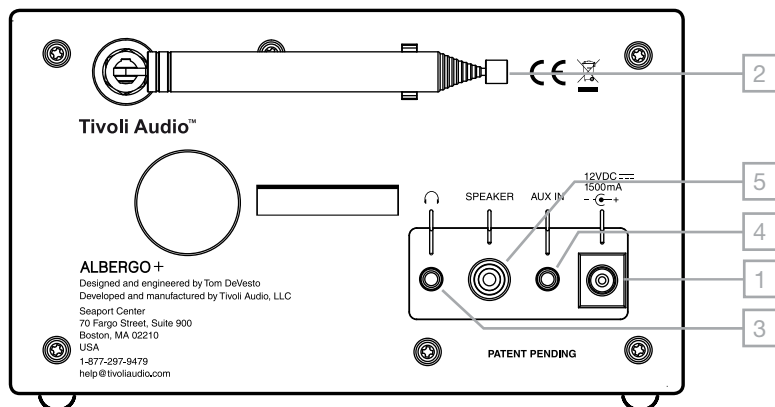
 : *Bluetooth*-tilstand

T: Manuel tuning-tilstan

3. **TUNE +/-:** I DAB-tilstand skal du bruge disse knapper til at vise alle tilgængelige DAB/DAB+ stationer. Brug knapperne +/- til at fremhæve bestemte stationer, hvorefter den fremhævede DAB-station tunes automatisk efter 3 sekunder, eller tryk på Enter-knappen på fjernbetjeningen. FM: Tryk kort på Tune +/- knapperne for at bruge Auto Scan til at gå til den næste station, der registreres. Se "Auto Scan" under "FM menu" for hvordan du deaktiverer Auto Scan og stiller ind på stationer manuelt.
4. **SLEEP:** Tryk gentagne gange for at få vist mængden af tid radioen vil spille, før den slukker automatisk, og tryk på Select knappen for at vælge det pågældende tidspunkt. En lille urskive vil blive vist på skærmen  når Sleep timeren er aktiv. For at annullere sleep, skal du trykke på Sleep-knappen, indtil displayet viser "Off".
5.  **BLUETOOTH:** Tryk på knappen *Bluetooth* for at aktivere *Bluetooth*-tilstand. Se "*Bluetooth Brug*" for yderligere oplysninger. Tryk og hold *Bluetooth*-knappen nede for at rydde al hukommelse om parrede anordninger. Displayet vil vise "Memory Cleared".
6. **SOURCE:** Tryk gentagne gange for at ændre lydkilde.
7.  **ALARM 1 OG 2:** Tryk på denne knap for at indstille det ønskede klokkeslæt for hvert af de to vækkeurer og automatisk indstille vækkeuret til at ringe.
8. **ALARM-KNAP:** Tryk på en vilkårlig alarm-knap og drej knappen for at indstille klokkeslættet. Tryk på knappen igen for at bekræfte. Gentag for at indstille minutter, og tryk på knappen igen, når du er færdig. Vækkeurets klokkeslæt bekræftes automatisk efter 3 sekunder. Vækkeuret er nu indstillet til at vække. Klokkelslættet for hvert vækkeur vises

på displayet. Tryk på den respektive Alarm-knap igen for at annullere vækkeuret. **Se også afsnittet: "Ændring af vækkeurets indstillinger og klokkeslæt via hovedmenuen" for yderligere meget vigtige indstillinger af vækkeuret.**


Guide Til Funktioner (Bagpanel)




- 12VDC/1500mA:** Benyt denne indgang til at betjene Albergo+ med den medfølgende strømforsyning. **Benyt kun den medfølgende strømforsyning.** Hvis strømforsyningen bliver beskadiget eller bortkommer, benyt udelukkende en eksakt erstatning. Den benyttede DC-adapter skal være kompatibel med EN/IEC 60065 krav og nomineret 12VDC 1500mA og 230V 50HZ (afhængigt af regionens krav). Brug af DC-adapter, der ikke er rekommanderet af producenten/ der ikke lever op til kravene kan være en sikkerhedsrisiko. Stikket er 5,5 mm/ 2,1 mm center positive. Det er normalt at strømforsyningen bliver varm ved brug.
- EKSTERN ANTENNE:** En ekstern teleskop-antenne er fastgjort til denne indgang og er ikke beregnet til at blive afmonteret. Justeres for bedste modtagelse. For mere se afsnittet mærket "Digital Radio / FM modtagelse".
- HØRETELEFONER UD GANG:** Tilslut høretelefoner (medfølger ikke) til denne stereo-udgang til mere diskret lytning. Høretelefonerne vil mute den primære højttaler. Volumen på høretelefonerne justeres via kontrolhjulet eller fjernbetjeningen. Fjernbetjeningen's "Mono" knap påvirker også denne udgang. Denne stereo udgang passer til et 3.5mm mini stereo jack stik. Undgå brug af hovedtelefoner ved høj lydstyrke for at undgå eventuelle høreskader.
- AUX IN:** Hvis du vil høre lyd fra en anden audio-enhed, såsom Tivoli Audio's Model CD, en MP3-afspiller eller dit TV, skal du tilslutte enhedens lydudgang til denne stereo indgang og ændre til AUX. Denne stereo indgang passer til et 3.5mm mini stereo jack stik. **Bemærk: at det kan være nødvendigt at justere lydstyrken på audio-enheden, da den kan afvige i forhold til lydstyrken på Albergo+ ved normal radio lytning.**
- Speaker:** Tilslut RCA-kablet fra Tivoli Audio Albergo Stereo Speaker til denne RCA udgang. Sørg for at Stereo/Mono er sat til stereo ved at trykke på Mono-knappen på fjernbetjeningen og vær sikker på, at displayet viser "ST" for stereo og ikke "M" for mono.

Guide Til Funktioner (Fjernbetjening)

1. **POWER:** Tryk kort for at tænde eller slukke din Albergo+. Når radioen tændes vises den sidst anvendte kilde.

2. **MUTE/SNOOZE:** Tryk for at slå lyden fra og tryk igen for at genoptage foregående lydstyrke. Tryk for at snooze i 10 minutter efter alarmen lyder. Et  ikon vil blive vist på skærmen, når snooze er aktiv. Snooze-tiden er ikke justerbar. Når du trykker på Snooze-knappen igen, mens du stadig i Snooze-tilstand, nulstilles Snooze-timeren til 10 minutter.

3. **ALARM:** Tænd for Albergo+ og brug ▲▼ og Select-knappen til at justere og indstille vækkeuret. **Se også "Ændring af vækkeurets indstillinger og klokkeslæt via hovedmenuen" for yderligere meget vigtige indstillinger af vækkeuret.**

4. **SLEEP:** Tryk gentagne gange for at få vist mængden af tid radioen vil spille, før den slukker automatisk, og tryk på Select knappen for at vælge det pågældende tidspunkt. En lille urskive  vil blive vist på skærmen, når Sleep timeren er aktiv. For at annullere sleep, skal du trykke på Sleep-knappen, indtil displayet viser "Off".

5. **SOURCE:** Tryk gentagne gange for at ændre lydkilde.

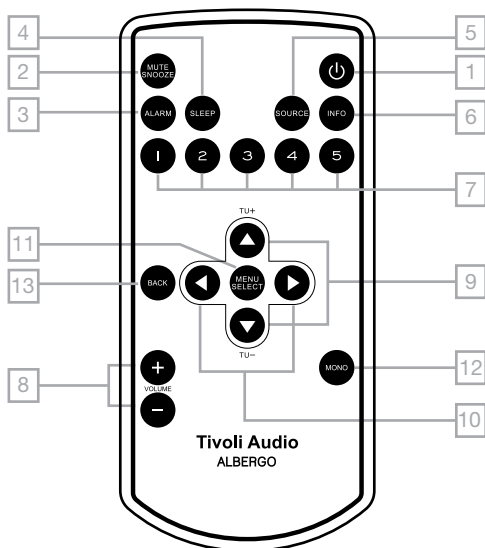
6. **INFO:** Tryk gentagne gange for at bladre gennem de tilgængelige oplysninger afhængig af den kilde, du befinder dig i.

7. **PRESETS 1-5:** Tryk og hold for at gemme den indstillede station. Tryk kort for at indstille til den ønskede station. I FM-tilstand vil det forudindstillede nummer være angivet på displayet. Der er mulighed for at gemme 5 stationer på hvert bånd.

8. **VOLUME +/-:** Tryk på Volume + knappen for at hæve lydstyrken eller Volume - knappen for at sænke lydstyrken. Hvis lyden forvrænges bør lydstyrken sænkes for at undgå at beskadige højttaleren. Hvis lydstyrken justeres, mens Albergo+ er på Mute, vil dette annullere Mute.

9. **▲▼/TUNE +/-:** Tryk her for at navigere i menupunkterne. I DAB-tilstand skal du bruge disse knapper til at vise alle tilgængelige DAB/DAB+ stationer. Brug knapperne ▲▼ til at fremhæve bestemte stationer, hvorefter den fremhævede DAB-station tunes automatisk efter 3 sekunder, eller tryk på Enter-knappen på fjernbetjeningen. FM: Tryk kort på Tune +/- knapperne for at bruge Auto Scan til at gå til den næste station, der registreres. Se "Auto Scan" under "FM menu" for hvordan du deaktiverer Auto Scan og stiller ind på stationer manuelt.

10. **◀▶:** På højre pileknop dublikeres Select knappen. Den venstre pileknop flytter dig til den forrige side i visse menuer.



- 11. MENU/SELECT:** Tryk for at åbne hovedmenuen, og tryk kort for at vælge punkter i menuen. Se afsnittet "Menu" for menuerne AM, FM, *Bluetooth*, and Auxiliary nedenfor for yderligere oplysninger.
- 12. MONO:** Tryk for at ændre Stereo/Mono-indstilling. Displayet viser "M" for Mono og "ST" for Stereo. Denne indstilling påvirker også hovedtelefonudgangen. For mere, se afsnittet "Digital Radio / FM Modtagelse".
- 13. BACK:** Tryk for at gå tilbage til den forrige menu side.

Bemærk: Når Alberg+ er på standby, kan du kontrollere displayets baggrundslys uden at skulle tænde for Alberg+ og gå ind på menuen. Tryk på ▲ knappen på fjernbetjeningen to gange for at slukke for baggrundslyset. Tryk på ▲ knappen på fjernbetjeningen for at tænde for lyset i 10 sekunder. Tryk på ▲ knappen på fjernbetjeningen to gange til for at tænde for baggrundslyset igen.

Digital Radio (DAB/DAB+) Menuen

I DAB-tilstand skal du trykke på og holde Menu-knappen på fjernbetjeningen nede for at åbne hovedmenuen. Tryk på ▲▼ og Select for at skifte imellem punkterne i menuen. Brug knappen Tilbage for at navigere tilbage.

En stjerne (*) indikerer, at det viste menupunkt er indstillet.

Bemærk: Hvis funktionen Digital radio aktiveres og Station List er tom startes en automatisk scanning.

Bemærk: Hovedmenuen forsvinder automatisk efter ni sekunder, hvis der ikke trykkes på nogen knapper.

- 1. AUTO SCAN:** Søger hele frekvensområdet. Hvis du flytter din Alberg+ til en anden lokation, bør du udføre en ny scanning, så radioen kan finde stationer på den nye placering. Hvis du vil annullere den automatiske scanning, skal du trykke på knappen Tilbage på fjernbetjeningen.
- 2. TIVOLI EQ:** Tryk på Select knappen og brug ▲▼ og Select til at regulere bas og diskant. De justerede værdier vil blive vist i "Bruger EQ". Tryk på Select knappen for at slå Loudness til eller fra. Loudness anbefales når du lytter ved lav lydstyrke, da den optimerer de høje og lave frekvenser, hvilket resulterer i en mere naturlig lyd. Brug ▲▼ og Select til at aktivere en hvilken som helst af de foruddefinerede EQ indstillinger. Valg af en foruddefineret EQ vil tilsidesætte enhver justering af bas og diskant-indstillinger, men Loudness vil ikke blive påvirket. Ved at vælge "Flat" EQ gendannes fabriksindstillingerne, hvilket betyder, at bas og diskant vil blive sat til nul. "Flat" EQ slår også automatisk Loudness fra. Hvis bas og diskant var blevet justeret, vil disse indstillinger stadigvæk vises i "Bruger EQ". Ved blot at vælge "Bruger EQ" genaktiveres bas og diskant-indstillingerne. I EQ menuen, viser tallene i højre side bas og diskant.
- 3. MANUAL TUNE:** Tryk på ▲▼ for manuelt at søge efter DAB/DAB+/DMB frekvenser. Den fremhævede DAB-station tunes automatisk efter 3 sekunder. Alternativt kan du trykke på Enter-knappen på fjernbetjeningen
- 4. DRC:** Dynamic Range Control giver dig mulighed for at ændre lydniveauet, så stille passager gøres kraftigere for at kompensere for evt støjende omgivelser, eller hvis du lytter ved lav lydstyrke.

5. SETTINGS (A-F):

A. **ALARM:** Se "Ændring af vækkeurets indstillinger og klokkeslæt via hovedmenuen."

B. TIME:

Indstil tid/dato: Tryk på knappen Select og brug ▲▼ og Select for at indstille timer og minutter. Du bør også indstille Auto Opdatering til "Ingen opdatering". For mere information om dette se "Auto Opdatering" nedenfor.

Auto Opdatering: Tryk på knappen Select og brug ▲▼ og Select til at vælge imellem "Opdatering fra alle", "Opdatering fra DAB" (også DMB), eller "Opdatering fra FM" (RDS). For at disse opdateringer skal virke er det nødvendigt med en ensartet modtagelse af DAB eller FM, og derudover forudsættes det, at der er tid/dato til rådighed. Det kan tage op til et minut eller mere for uret at opdatere. Tivoli Audio er ikke ansvarlig for ukorrekt tid / dato i forbindelse med automatisk opdatering. For manuelt at indstille uret vælges "Ingen opdatering", og derefter vælges "Indstil Tid/Dato" i menuen "Tid" ved hjælp af ▲▼ eller tu knapperne. Select bruges til indstilling af time, og dette gentages til indstilling af minutter, hvorefter der trykkes på Select for at gemme indstillingen.

Indstil 12/24 timer: Tryk på knappen Select og brug ▲▼ og Select for at vælge 12 eller 24 timers ur.

Indstilling af dato format: Tryk på knappen Select og brug ▲▼ og Select til at vælge det ønskede dato format.

C. BACKLIGHT:

Timeout: Baggrundsbelysningen kan være konstant, uanset om du trykker på knapperne på din Alberg+ eller ej (det er den måde, hvorpå Alberg+ er konfigureret fra fabrikken), eller du kan tilpasse baggrundslyset, så det automatisk skifter til et dæmpet niveau efter en bestemt periode, hvor der ikke er blevet trykket på nogen af knapperne. Når der trykkes på en knap på apparatet eller fjernbetjeningen, bliver det normale niveau på baggrundslyset genoprettet. Tryk på knappen Select og brug ▲▼ og Select for at indstille hvor lang tid, der skal gå, før baggrundslyset dæmpes. Der kan vælges imellem 10, 20, 30, 45, 60, 90, 120 eller 180 sekunder, eller timeout funktionen kan slås fra.

On Level: Tryk på knappen Select og brug ▲▼ og Select til at vælge intensiteten af baggrundslyset.

Dæmpning: Hvis du har valgt et tidspunkt for dæmpning af baggrundslyset under "Timeout" trykkes herefter på Vælg og brug ▲▼ og Select til at vælge intensiteten af baggrundsbelysningen, når det ændres til dæmpet styrke.

D. **SPROG:** Tryk på knappen Select og brug ▲▼ og Select til at vælge indstilling af sprog.

E. **RESET TIL FABRIKSINDSTILLINGER:** Tryk på knappen Select og brug ▲▼ og Select for at bekræfte (Yes) eller afvise (No) reset til fabriksindstillinger. Et reset vil genoprette fabriksindstillingerne og annullere alle dine personlige indstillinger, som f.eks valgte kanaler og sprog. Se også afsnittet "Digital radio/FM-modtagelse".

F. **ID:** Tryk på Select for at se produktets ID. Hvis du kontakter din forhandler eller serviceværksted med et spørgsmål, kan du blive bedt om at opgive dette nummer.

FM-menuen

I FM-tilstand skal du trykke på og holde Menu/Select-knappen på fjernbetjeningen nede for at åbne hovedmenuen. Tryk på ▲▼ og Select for at skifte imellem punkterne i menuen. Brug knappen Tilbage for at navigere tilbage. En stjerne (*) indikerer, at det viste menupunkt er indstillet.

Bemærk: Hovedmenuen forsvinder automatisk efter ni sekunder, hvis der ikke trykkes på nogen knapper.

1. **SCAN SETTING:** Tryk på Select knappen og brug ▲▼ og Select til at vælge imellem "Kun stærke stationer" eller "Alle stationer" når der laves en autoscanning. (se #9 (▲▼/ Tune +/-) i afsnittet "Remote Control". Vælges "Alle stationer" øges følsomheden af scanningen, og dette kan resultere i, at autoscan stopper på en kanal med støj.
2. **AUTO SCAN (IKKE PÅ AUX MENU):** Tryk på Select knappen og brug ▲▼ knapperne for at vælge mellem "Strong stations only", "All stations", eller "Off" når du udfører et auto scan (se punkt 9 (Tune +/-) under "Remote Control"). Hvis man vælger "All stations" forøges sensitiviteten af scanningen og det kan muligvis resultere i at auto scan stopper ved støj. Hvis man vælger "Off" bliver Auto Scan slukket og man kan stille ind på stationer manuelt.
3. **RDS:** Tryk på Select-knappen, og brug ▲▼ og Select- knapperne til at vælge mellem "Enabling" eller "Disabling" FM RDS-tekst. Se afsnittet "RDS" for yderligere oplysninger.
4. **TIVOLI EQ:** Se beskrivelsen under "Digital radio-menu".
5. **SETTINGS:** Se beskrivelsen under "Digital radio-menu".

Auxiliary-menuen

I Auxiliary-tilstand skal du trykke på og holde Menu/Select-knappen på fjernbetjeningen nede for at åbne hovedmenuen. Tryk på ▲▼ og Select for at skifte imellem punkterne i menuen. Brug knappen Tilbage for at navigere tilbage. En stjerne (*) indikerer, at det viste menupunkt er indstillet.

Bemærk: Hovedmenuen forsvinder automatisk efter ni sekunder, hvis der ikke trykkes på nogen knapper.

1. **TIVOLI EQ:** Se beskrivelsen under "Digital radio-menu".
2. **ALARM 2:** Hvis du ikke regner med, at du vil bruge Alarm 2 eller er bange for, at Alarm 2 utilsigtet indstilles, skal du trykke på Select-knappen og bruge ▲▼ og Select-knapperne til at deaktivere Alarm 2.
3. **SETTINGS:** Se beskrivelsen under "Digital radio-menu".
4. **VOLUME LIMIT:** Hvis du vil skrue ned for den maksimale lydstyrke for ikke at forstyrre andre, skal du trykke på Select-knappen og bruge ▲▼ og Select-knapperne for at vælge mellem lydstyrkegrænse 26 eller 22. Hvis du vælger "Off" vil den maksimale lydstyrke være standardindstillingen på 30. Bemærk: Hvis du skruer ned for den samlede lydstyrke, skrues der også automatisk ned for vækkeurets lydstyrke, når det ringer.
5. **BLUETOOTH NIVEAU:** Brug ▲▼ og Select-knapperne til at vælge "Low" hvis du ønsker at nedsætte *Bluetooth* signalets rækkevidde. Det kan være ønskværdigt hvis du kun bruger *Bluetooth* featuren når du er meget tæt på radioen. Vi anbefaler at denne indstilling forbliver i "Normal" positionen.

Ændring Af Vækkeurets Indstillinger Og Klokkeslæt Via Hovedmenuen

1. Tænd for Albergo+ og tryk på og hold Menu-knappen på fjernbetjeningen nede for at komme ind i indstillingen af vækkeuret gennem hovedmenuen i DAB, FM eller Aux-tilstand. Når du er inde i menuen, skal du vælge "Settings" og "Alarm".
2. Alarm 1 er vist først. Brug ▲▼ og Select-knappen til at vælge mellem Alarm 1 og Alarm 2. Bemærk: På ethvert tidspunkt kan du navigere gennem alarm menuen ved hjælp af Tilbage eller venstre piletast, og Select eller højre piletast.
3. Tryk på ▲▼ og Select for at slå alarmerne til eller fra.
4. Tryk på ▲▼ for at justere timetallet og tryk på Select for at gemme og gentage processen for minuttallet, efterfulgt af AM/PM (hvis tiden er sat til 12 timers format), tryk derefter på Select.
5. Tryk på ▲▼ for at vælge den lydkilde, du vil vågne op til, og tryk herefter på Select. Hvis du indstiller DAB (omfatter også DAB+/DMB) eller FM, skal du bruge ▲▼ for at vælge den ønskede faste station (hvis presets er lagret) eller den station du sidst lyttede til, og tryk derefter på Select.
6. Tryk på ▲▼ for at indstille hvor ofte alarmerne skal vække dig, og tryk derefter på Select.
7. Sidst men ikke mindst tryk på ▲▼ for at indstille lydstyrken for alarmerne, og tryk derefter på Select. For at være sikker på at lyden virker når alarmerne aktiveres, kan alarmens lydniveau ikke sættes under et minimumsniveau. Hvis man aktiverer "Volume Limit" featuren under AUX menuen vil det også påvirke alarmens lydstyrke.
8. Gentag denne proces for Alarm 2, hvis det ønskes.

Hvis du laver en fejl på noget tidspunkt i processen, kan du altid trykke på Tilbage-knappen på fjernbetjeningen og begynde igen.

Bemærk: Dine indstillinger gemmes ikke med mindre du har fuldført hele processen, og displayet viser "Alarm Saved" (Alarm gemt).

Bemærk: Hvis du vil indstille alarmerne til DAB, og den sidst lyttede eller forudindstillede station er ikke tilgængelig på det tidspunkt alarmerne lyder, vil alarmerne i stedet lyde i form af en standard tone.

Strøm svigt: Skulle strømmen forsvinde, eller skulle din Albergo+ blive afbrudt, vil den indstillede alarm forblive gemt, men alarm kan ikke aktiveres, hvis der ikke er strøm.

Alarm Muligheder

Alarmerne lyder med en gradvis øget volumen. Når alarmerne lyder, kan du aktivere Snooze funktionen eller slå alarmerne fra.

Snooze: Snooze: For at aktivere Snooze, skal du trykke på Snooze-knappen på fjernbetjeningen eller trykke kortvarigt på kontrolhjulet på toppen af enheden. Det er ikke muligt at indstille Snooze tiden. Når du trykker på Snooze-knappen igen, mens du stadig i Snooze-tilstand nulstilles Snooze-timeren til 10 minutter. Når vækkeuret ringer, skal du trykke på og holde tophjulet Snooze nede for at slå vækkeuret fra og slukke enheden, eller trykke på den pågældende alarm-knap.

Alarm fra: Du kan stoppe alarmen ved at trykke på Alarm eller Power-knappen på fjernbetjeningen, eller tryk og hold kontrolhjulet på toppen af enheden.

Alarm Quick Indstilling: Når Albergo+ er i standby, trykkes gentagne gange kort på alarmknappen for at slå alarmerne til eller fra.

Bluetooth Brug

Før parring skal du tjekke at din anordning understøtter *Bluetooth* 2.1+EDR A2DP, og at din anordning ikke er tilsluttet et andet *Bluetooth* produkt. Forskellige anordninger kan parre forskelligt. Nedenstående er en general guide.

1. Tryk på knappen *Bluetooth* på frontpanelet på Albergo+ eller skift kilde til *Bluetooth*. Dette vil tænde for din *Bluetooth*. Start med at skru ¼ op for lyden. Skru også op for lyden på kildeenheden (den enhed du streamer fra).
2. Tænd den *Bluetooth* trådløse teknologi på din aktiverede anordning.
3. Vælg "Tivoli *Bluetooth* (Ikke parret)" når den kommer op på din anordnings skærm for at begynde søgningen. Nogle anordninger beder dig om et PIN nummer. I så tilfælde indtaster du "0000". "Tivoli *Bluetooth*" vil skifte fra "Ikke parret" til "Forbundet".
4. Du vil høre en ringetone fra din Albergo+ som bekræfter forbindelsen, og du kan nu begynde at spille dine musikfiler trådløst. Juster lydstyrken på din anordning. Det skulle ikke være nødvendigt at parre din anordning igen. **Afhængigt af hvilken enhed du bruger kan det være nødvendigt at prøve parring og/eller forbindelse til Albergo+ flere gange, men giv venligst enheden tid nok til at parre eller forbinde før du gentager processen.**

Parre En *Bluetooth* Trådløs Teknologi Aktiveret iPhone/iPod Touch/iPad

1. Tryk på knappen *Bluetooth* på frontpanelet på Albergo+ eller skift kilde til *Bluetooth*. Dette vil tænde for din *Bluetooth*. Start med at skru ¼ op for lyden. Skru også op for lyden på kildeenheden (den enhed du streamer fra).
2. Vælg "Indstillinger" (afhænger af anordningens softwareversion).
3. Vælg "Almindelig".
4. Vælg "*Bluetooth*".
5. Sæt *Bluetooth* til "On" for at begynde søgningen.
6. Vælg "Tivoli *Bluetooth* (Ikke parret)" når det vises på displayet. Hvis du bliver bedt om at indtaste et PIN nummer, indtaster du "0000". "Tivoli *Bluetooth*" vil skifte fra "Ikke parret" til "Forbundet".
7. Du vil høre en ringetone fra din Albergo+, og du kan nu begynde at spille dine musikfiler trådløst. Juster lydstyrken på din anordning. Det skulle ikke være nødvendigt at parre din iPhone/iPod/iPad igen.

Output niveauet af lydstyrken på musikfiler varierer. Hvis du foretrækker et endnu højere output niveau kan du tjekke indstillingerne på din iPhone/iPod touch/iPad: Sæt EQ til Off, SoundCheck til Off, og lydstyrkegrænsen til Off.

Hvis du har problemer med at parre, trykker du på den lille pil til højre for "Tivoli *Bluetooth*" på dit iPhone/iPod touch/iPad display og vælg "Glem denne anordning", og gentag så parringsprocessen. **Afhængigt af hvilken enhed du bruger kan det være nødvendigt at prøve parring og/eller forbindelse til Albergo+ flere gange, men giv venligst enheden tid nok til at parre eller forbinde før du gentager processen.**

Når du streamer musik kan du trykke på den blå pil til højre for knappen for det næste spor >>/ på dit iPhone/iPod touch/iPad display for at skifte mellem iPhone/iPod/iPad og *Bluetooth*.

VIGTIGT:

- Albergo+ vil huske parringsoplysninger for op til 8 anordninger. Yderligere anordninger kan parres, men den anordning, som det er længst siden den blev brugt, vil blive erstattet af den nyeste parrede anordning.
- Hvis lyden forsvinder eller stopper mens der spilles, skal du flytte din anordning tættere på din Albergo+, eller tjek for at sikre at der ikke er en anden trådløs anordning som forstyrrer signalet.
- Når du skifter fra *Bluetooth* til AM eller FM, kan det være nødvendigt at genjustere (sænke) radioens lydniveau.

Digital Radio / FM Modtagelse

Den medfølgende eksterne antenne vil give en god modtagelse. I områder med stærkt FM signal, kan reducere af antennens længde give bedre modtagelse.

Hvis du bruger Albergo+ sammen med Albergo Stereo Speaker, og du lytter til en støjende FM station, kan du med fordel trykke på Mono-knappen på fjernbetjeningen, da dette kan gøre FM stationen mere støjfri og lyttevenlig. Displayet vil vise et "M", når Albergo+ er i mono og et "ST", når den er i stereo. Denne information vil også blive vist i FM-tilstand, når du bruger knappen Info på fjernbetjeningen.

Bygninger der indeholder beton, stål eller aluminium vil hindre modtagelse. Husholdningsapparater, elektriske tæpper, computere, cd-afspillere og andre elektroniske enheder kan også have en negativ indflydelse på modtagelsen eller give anledning til støj. If you experience this, move the Albergo+ further from the offending device or plug it into an electrical outlet not shared by another device.

Bemærk: Når du flytter Albergo+ til et andet sted, hvor der kan være forskellige DAB-stationer fra den tidligere placering, anbefales det at udføre en fabriksnulstilling, således at der indledes en ny scanning for at opdatere DAB-stationslisten.

Dab Beskeder På Display

Sekundære Tjenester: Sekundære stationer vil fremgå i form af et >> symbol ved siden af stationens navn. Sekundære tjenester er muligvis ikke tilgængelig i dit område.

"?": Hvis dette symbol vises ved siden af navnet på stationen, betyder det, at stationen er ugyldig eller inaktiv.

"Not Available": Viser når der stilles ind på en DAB-station med et utilstrækkeligt signal.

RDS (kun ved FM)

Radio Data System (RDS) sender tekst data sammen med lyden. Ikke alle FM-stationer bruge denne service, og teksten er således ikke tilgængelig ved alle stationer. Hvis det opleves, at RDS teksten ikke vises, eller teksten ser rystet ud, kan det skyldes, at signalet er for svagt. I sådanne tilfælde kan man eksperimentere med placeringen af FM-antennen. Hvis det er muligt at modtage RDS, trykkes gentagne gange på Info-knappen for at se de tilgængelige oplysninger. **Bemærk:** RDS indholdet bestemmes af den enkelte FM-station.

Placering

Placer Albergo+ på en flad, stabil overflade. For fuld udnyttelse af bas og ventilation, må den bageste baspart ikke dækkes til. Albergo+ er ikke video afskærmet og bør holdes mindst 127 mm (5 ") væk fra en computer skærm eller et fjernsyn. Placering i en reol, et skab eller tæt på vægge eller hjørner kan indvirke på bassen og dermed skabe en unaturlig lyd.

Rengøring

Benyt aldrig skrappe rensedmidler eller opløsningsmidler på Albergo+.

Begrænset Garanti

Tivoli Audio laver produkter af meget høj standard, og vi er sikre på, at vore produkter fungerer godt. Derfor yder vi en begrænset garanti på dette produkt mod fabriktionsfejl ved materialer og håndværk til den oprindelige ejer. Denne garanti kan ikke overføres.

Produkter som er købt i EU og Norge har en minimumsgaranti på to år. I lande hvor varigheden af minimumsgarantien er vedtægtsbestemt, er garantiperioden den påkrævede vedtægtsperiode. Alle andre steder er garantiperioden et år.

Denne begrænsede garanti dækker dette produkts funktionalitet for normal, tilsigtet brug som specificeret i denne manual. Den dækker ikke fejlfunktion eller skade, der er opstået ved upassende eller urimelig brug eller installering, ved at bruge opladeren til at oplade alkaline batterier, fejl ved tilknyttet udstyr, modifikationer, uautoriseret reparation, skade eller tab under forsendelse, mishandling, uheld, brug af forkert spænding/strøm, strømstød, lynnedslag eller andre naturfænomener, for megen fugt, normal slidtage, kommercielt brug eller køb fra uautoriserede forhandlere. Det kan være nødvendigt at vise dit købsbevis ved garantiservice for at bevise at enheden blev købt hos en autoriseret forhandler.

Kontakt venligst din forhandler eller en lokal distributør for garantiservice eller -reparation.

Hvis du åbner eller skiller dette produkt ad, vil den begrænsede garanti være ugyldig. Der er ingen dele inden i, som brugeren kan servicere. Tivoli Audio betaler ikke for omkostninger ved korrigerende af problemer med modtagelsen, eliminering af eksternt genereret statisk støj/støj, tidstab, ubekvemmelighed, tab af brugen af produktet, eller skade forårsaget ved upassende brug af dette produkt.

Hvis produktet returneres i garantiperioden og service er berettiget i følge denne begrænsede garanti, vil vi reparere eller erstatte alle defekte dele gratis og indenfor en rimelig tidsfrist.

DENNE BEGRÆNSEDE GARANTI GIVER DIG SPECIFIKKE LOVMÆSSIGE RETTIGHEDER UNDERLAGT DE SPECIFICEREDE FORHOLD. DER KAN OGSÅ VÆRE ANDRE GÆLDENDE LOVMÆSSIGE RETTIGHEDER FOR DET KØBTE PRODUKT. DISSE LOVMÆSSIGE RETTIGHEDER VARIERER FRA LAND TIL LAND. NOGLE STEDER ER EKSKLUDERING, RESTRIKTION ELLER MODIFICERING AF VISSE UNDERFORSTÅEDE RETTIGHEDER ELLER DERES EFFEKT IKKE TILLADT. I EN SÅDAN SITUATION VIL DENNE BEGRÆNSEDE GARANTI KUN GÆLDE I DEN UDSTRÆKNING SOM GÆLDENDE LOV TILLADER.

Dit lands love kan give dig retten til lovmæssige krav mod sælgeren eller producenten af dette produkt. Denne begrænsede garanti påvirker ikke disse rettigheder.

Bestemmelserne i den begrænsede garanti træder i stedet for alle andre garantier eller forhold, bortset fra dem der er lovbestemt. Denne begrænsede garanti påvirker ikke dine lovgivne rettigheder og udelukker ikke noget retsmiddel, som du har lovmæssigt ret til.

I lande hvor ansvarlighedsgrænsen ikke udelukkes af vedtægter skal Tivoli Audio højeste ansvarlighed ikke overstige den pris du betalte for produktet. I lande hvor ansvarlighedsgrænsen

er udelukket af loven, skal Tivoli Audio ikke være ansvarlig for mere end direkte kropsskade, og/eller skade på ejendom eller personlige ejendele som følge af Tivoli Audios uagtsomhed.

Hvis det ikke er forbudt i følge loven, skal Tivoli Audio ikke være ansvarlig for specielle, uhelds-, konsekvens- eller indirekte skader. Nogle steder tillader ikke begrænsninger af eksklusion eller begrænsninger af afhjælpning, specielle, uhelds-, konsekvens- eller indirekte skader eller ansvarsbegrænsning til særlige beløb, så ovenstående begrænsninger eller eksklusioner gælder måske ikke dig.

Denne begrænsede garanti er ugyldig, hvis mærkatet med serienummeret er blevet fjernet eller ødelagt.

Hvis du har købt en forlænget servicekontrakt fra din forhandler og service er nødvendig efter den begrænsede garanti er udløbet, bedes du kontakte vores udbyder af den forlængede kontrakt for at blive servicert.

For nemheds skyld kan du registrere dit produkt for garantiservice online på vores hjemmeside www.tivoliaudio.com. Du er ikke lovmæssigt forpligtet til at give personlige oplysninger. Men sådanne oplysninger lader os registrere hvilke Tivoli Audio produkter du køber, så vi bedre kan forstå dem der køber vores produkter. Tivoli Audio vil bruge de indsamlede oplysninger til markedsføring, og hvor det er tilladt vil vi kontakte dig om de produkter du har købt eller andre produkter du kunne være interesseret i fra Tivoli Audio eller andre firmaer. De oplysninger du giver os kan blive bearbejdet i et andet land.

Specifikationer

Model:	Tivoli Audio Albergo+
Type:	DAB/DAB+/DMB/FM bordsradioer med <i>Bluetooth</i> trådløs teknologi
Højtalere:	76,2 mm (3") driver med fuld rækkevidde
Frekvensbånd:	FM:87.5-108MHz DAB (Band III)/DAB+: 174-240MHz (Kan variere fra land til land)
Strømforsyning:	12VDC nominal - 15 VDC maximum, 1500 mA
DC Adaptor:	Tivoli Audio 1.5A- CE
FM De-Emphasis:	50uSec or 75uSec (Kan variere fra land til land)
Dimensioner:	110 mm H x 186 mm W x 129 mm D (4,34"H x 7,32"W x 5,22"D)
Vægt:	1,0 kg (2,2 lbs)

Der forbeholdes ret til at ændre specifikationer uden forudgående informationer herom. Tivoli Audio forbeholder sig retten til at udføre produktændringer uden forudgående informationer herom. Tivoli Audio, Tivoli Audio's logo, Albergo, Albergo+ og Albergo Speaker er registrerede varemærker som tilhører Tivoli Audio, LLC. *Bluetooth* ordmærket og logoer er registrerede varemærker som ejes af Bluetooth SIG, Inc. og enhver form for brug af Tivoli Audio er under licens. iPod, iPod touch, iPhone, og iPad er varemærker tilhørende Apple Inc., som er registreret i USA og andre lande. Andre varemærker og varenavne tilhører deres respektive ejere.



ALBERGO™ +

DAB/DAB+/DMB/FM Clock Radio

INHALT

Sicherheitshinweise.....	36
Einführung; Über Tivoli Audio.....	39
Bedienelemente an der Vorderseite	39
Bedienelemente an der Rückseite.....	41
Fernbedienung	42
Digitalradio / FM / Auxiliary-Menüs.....	43
Alarmeinrichtung	46
Alarmpoptionen	47
<i>Bluetooth</i> Betrieb	48
Empfang; RDS; Aufstellung; Reinigung.....	49
Garantie.....	50
Spezifikationen	52



Dieses Symbol warnt den Bediener vor nicht isolierter, „gefährlicher“ elektrischer Spannung im Gerätegehäuse, die hoch genug sein kann, um zu elektrischen Schlägen zu führen.



Dieses Symbol weist den Bediener auf wichtige Anweisungen zur Bedienung und Wartung des Geräts in der begleitenden Literatur hin.

Wichtige Sicherheitsanweisungen

1. Lesen Sie diese Anweisungen sorgfältig durch.
2. Bewahren Sie diese Anweisungen auf.
3. Beachten Sie alle Warnhinweise.
4. Befolgen Sie alle Anweisungen.
5. **ACHTUNG** – Explosionsgefahr, wenn Batterie falsch eingesetzt wird. Nur mit derselben Batterie oder einem gleichwertigen Typ ersetzen.
6. **WARNUNG:** Batterien dürfen nicht starker Hitze wie Sonnenschein, Feuer oder dergleichen ausgesetzt werden.
7. **WARNUNG: NICHT VERSCHLUCKEN, ES BESTEHT DIE GEFAHR VON VERÄTZUNGEN.** Die mit diesem Produkt gelieferte Fernbedienung enthält eine Knopfzellenbatterie. Wenn die Knopfzellebatterie verschluckt wird, kann diese in nur 2 Stunden zu schweren inneren Verätzungen und sogar zum Tod führen. Bewahren Sie neue und gebrauchte Batterien für Kinder unzugänglich auf. Wenn sich das Batteriefach nicht sicher schließen lässt, verwenden Sie das Produkt nicht länger und halten Sie es von Kindern fern. Sollte der Verdacht bestehen, dass Batterien möglicherweise verschluckt oder im Körper platziert wurden, ziehen Sie sofort einen Arzt hinzu.
8. Halten Sie dieses Gerät von Wasser fern. Verwenden Sie dieses Gerät beispielsweise nicht in der Nähe einer Badewanne, in einem feuchten Keller, in der Nähe eines Swimmingpools und dergleichen. **ACHTUNG!** Setzen Sie das Gerät nicht Regen oder Feuchtigkeit aus.
9. Reinigen Sie das Gerät nur mit einem trockenen Tuch.
10. Stellen Sie sicher, dass die Belüftungsöffnungen nicht versperrt sind. Schließen Sie das Gerät gemäß den Anweisungen des Herstellers an.
11. Schließen Sie das Gerät nicht in der Nähe von Wärmequellen wie z. B. Heizkörpern, Heizausslässen, Öfen oder anderen wärmeerzeugenden Geräten (inklusive Verstärkern) an.
12. Setzen Sie nicht die Sicherheitsfunktion des verpolungssichereren oder geerdeten Steckers außer Kraft. Ein verpolungssicherer Stecker ist mit zwei unterschiedlich breiten Kontakten ausgestattet. Ein geerdeter Stecker ist neben den zwei Kontakten außerdem mit einem Massekontakt ausgestattet. Der breite Kontakt bzw. der Massekontakt dienen zu Ihrer Sicherheit. Falls der gelieferte Stecker nicht in Ihre Steckdose passt, wenden Sie sich zum Austausch der entsprechenden Steckdose bitte an einen Elektriker.

13. Stellen Sie sicher, dass nicht auf das Stromkabel getreten oder das Kabel geknickt wird, insbesondere an Steckern, Steckdosen und der Stelle, wo das Kabel am Gerät austritt.
14. Benutzen Sie ausschließlich die vom Hersteller angegebenen Anbau -und Zubehör Geräte.
15. Verwenden Sie nur Wagen, Ständer, Stativ, Halter oder Tische, die vom Hersteller benannt oder im Lieferumfang des Geräts. Wenn Sie einen Wagen benutzen, seien Sie vorsichtig beim Bewegen der Wagen / Gerät, um Verletzungen durch Umkippen zu vermeiden.
16. Zur zusätzlichen Sicherheit dieses Produkts, stecken Sie das Gerät während eines Gewitters, wenn es unbeaufsichtigt ist oder längere Zeit nicht verwendet wird, aus. Dadurch vermeiden Sie Schäden am Gerät durch Blitzschlag oder Überspannung.
17. Betreiben Sie das Gerät nur mit den auf der Rückseite angegebenen Stromquellen. Verwenden Sie bei Geräten mit einer externen Stromversorgung im Fall von Verlust oder Beschädigung nur ein identisches Ersatzteil. Entnehmen Sie bei Geräten mit einer Batteriestromversorgung dem Benutzerhandbuch die notwendigen Informationen.
18. Ziehen Sie das Gerät von der Steckdose ab und lassen Sie die Wartungsarbeiten von qualifiziertem Fachpersonal durchführen, wenn Folgendes passiert ist:
 - a. Das Stromversorgungskabel oder der Stecker ist beschädigt.
 - b. Flüssigkeit wurde auf das Gerät verschüttet oder Gegenstände sind hineingefallen.
 - c. Das Gerät wurde Wasser oder Regen ausgesetzt.
 - d. Das Gerät funktioniert nicht ordnungsgemäß, obwohl die Bedienungsanleitung befolgt wird.
 - e. Das Gerät wurde fallen gelassen oder auf andere Weise beschädigt.
 - f. Das Gerät weist eine deutliche Veränderung der Leistung auf.
19. Wenn Ersatzteile benötigt werden, stellen Sie sicher, dass Servicetechniker Original-Ersatzteile vom Hersteller angegeben werden oder die die gleichen Eigenschaften wie die Originalteile. Falsche Ersatzteile können zu Feuer, Stromschlag oder andere Gefahren entstehen.
20. Nach Beendigung einer Dienstleistung, bitten Sie den Techniker, einen Sicherheitscheck durchzuführen, um zu bestätigen das Produkt ist in einem einwandfreien Betriebszustand.
21. Berühren Sie nicht die Flüssigkeit, wenn die LCD einen Riss bekommt oder beschädigt wird.
22. Halten Sie das Gerät in sicherer Entfernung zu offenen Flammen wie z. B. brennenden Kerzen.
23. Halten Sie das Gerät von spritzender oder tropfender Flüssigkeit fern. Stellen Sie keine Gegenstände auf das Gerät, die Flüssigkeit enthalten, wie beispielsweise Vasen oder Trinkgläser.
24. Der empfohlene Betriebstemperaturbereich liegt zwischen 5 °C und 40 °C (41 °F und 104 °F).
25. WARNUNG – Das Netz ist in der Aus-Position nicht getrennt, aber die Schaltungen werden vom Strom getrennt.
26. Das externe Netzteil dient als Trennvorrichtung und sollte stets erreichbar sein.



⚠️ WARNUNG: DIE ANGEBRACHTE ALBERGO+ EXTERNE TELESKOP-ANTENNE SOLL NICHT GELÖST WERDEN.



Entsorgung von Elektrogeräten durch Benutzer in privaten Haushalten in der EU Dieses Symbol auf dem Produkt oder dessen Verpackung gibt an, dass das Produkt nicht zusammen mit dem Restmüll entsorgt werden darf. Es obliegt daher Ihnen, das Gerät an einer entsprechenden Stelle für die Entsorgung oder Wiederaufbereitung von Elektrogeräten aller Art abzugeben (Bsp. Wertstoffhandel).

Die separate Sammlung und das Recyceln Ihrer alten Elektrogeräte zum Zeitpunkt Ihrer Entsorgung trägt zum Schutz der Umwelt bei und gewährleistet, dass Sie auf eine Art & Weise recycelt werden, die keine Gefährdung für die Gesundheit des Menschen und der Umwelt darstellt. Weitere Informationen darüber, wo Sie alte Elektrogeräte zum Recyceln abgeben können, erhalten Sie bei den örtlichen Behörden, Wertstoffhöfen und dort, wo Sie das Gerät erworben haben.

Anleitung und Hinweise zu Albergo+

Herzlichen Glückwunsch zum Erwerb des Geräts. Wir glauben, dass Albergo+ eines der besten DAB/DAB+/DMB/FM-Tisch-Uhrenradios ist, die derzeit im Handel erhältlich sind. Wir wissen, dass Sie mit Ihrem neuen Radio Musik hören möchten. Nehmen Sie sich jedoch bitte einen Augenblick Zeit, um diese Bedienungsanleitung sowie die Sicherheitsanweisungen durchzulesen, damit Sie sämtliche Funktionen des Radios nutzen können. Zögern Sie nicht, sich bei Fragen an Ihren Händler oder direkt an Tivoli Audio zu wenden.

Heben Sie bitte den Versandkarton und die Originalverpackung für den Fall auf, Ihren Lautsprecher möglicherweise einmal verschicken zu müssen, da Versandschäden nicht von der Werksgarantie gedeckt sind.

Im Namen aller Beschäftigten möchten wir uns dafür bedanken, dass Sie sich für Tivoli Audio entschieden haben, und wünschen Ihnen viel Vergnügen mit Ihrem Albergo+!

Über Tivoli Audio

Tivoli Audio wurde von Tom DeVesto mit der Vision gegründet, den Kunden Audioproducte anzubieten, die über eine einfache Bedienung, ein elegantes Design und eine hohe Qualität verfügen. Als Geschäftsführer und Leiter der Forschungs- und Entwicklungsabteilung bei seiner vorherigen Firma, Cambridge SoundWorks*, war Tom verantwortlich für die Entwicklung einer Vielzahl der am meisten verkauften Homeentertainment- und Multimediaproducte auf dem Markt. Des Weiteren bekleidete er Positionen im gehobenen Management der Produktentwicklung bei Advent und Kloss Video.

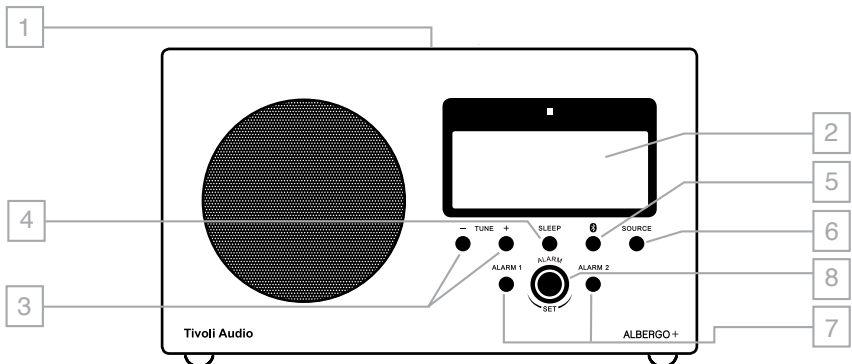
*Cambridge ist ein eingetragenes Warenzeichen von Creative Labs, Singapore.

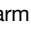
Im Lieferumfang Ihres Albergo+ sollte Folgendes enthalten sein:

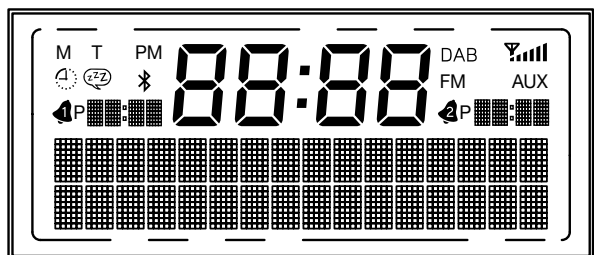
- Ein (1) Netzteil
- 1 Fernbedienung (inklusive Batterie)

Wenden Sie sich bitte an Ihren Händler oder Tivoli Audio, wenn einer dieser Artikel fehlen sollte.

Erläuterung der Bedienelemente (Vorderseite)



1. **MEHRZWECK-DREHREGLER (OBEN):** Der Drehregler dient zur bequemen Ausführung mehrerer Funktionen:
 - a. **Ein-/Ausschalten:** Wenn Albergo+ ausgeschaltet ist, den Drehregler drücken, um das Gerät einzuschalten. Wenn Albergo+ über eine der Quellen eingeschaltet ist, den Drehregler gedrückt halten, um das Gerät auszuschalten.
 - b. **Lautstärke:** Wenn Albergo+ über eine der Quellen eingeschaltet ist, den Drehregler im Uhrzeigersinn drehen, um die Lautstärke zu erhöhen, und gegen den Uhrzeigersinn, um die Lautstärke zu verringern.
 - c. **Schlummerfunktion:** Den Drehregler drücken, um die Schlummerfunktion zu aktivieren, wenn der Alarm ertönt. An der Anzeige wird  das Symbol angezeigt, wenn die Schlummerfunktion aktiviert ist. Die Schlummerzeit ist auf 10 Minuten eingestellt. Wenn die Schlummertaste im Schlummermodus erneut gedrückt wird, wird der Schlummer-Timer auf 10 Minuten zurückgesetzt. Wenn der Weckalarm ertönt, die Schlummertaste gedrückt halten, bis der Alarm und das Gerät ausgeschaltet sind oder die entsprechende Alarmtaste drücken.
2. **LCD:**



88:88 : (mittlere Ziffern): Zeit

AUX: Auxiliary

FM: FM-band

 : Abschaltfunktion

 : Empfangsniveau

 : Bluetooth-Modus

 : Schlummerfunktion


DAB: DAB/DAB+ band

M: Mono

  : Alarmer 1 und 2

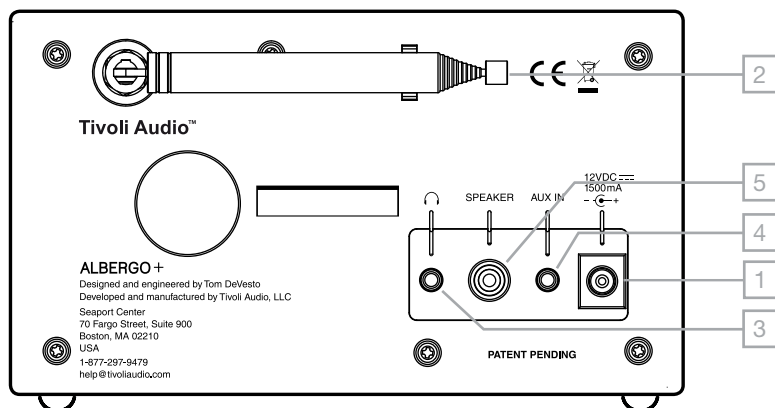
PM: Bei Auswahl des 12-Stunden-Formats

T: Manueller Einstellungsmodus

3. **TUNE +/-:** Verwenden Sie diese Tasten im DAB-Modus, um alle verfügbaren DAB/DAB+-Sender anzuzeigen. Verwenden Sie die (+/-)-Tasten, um bestimmte Sender zu markieren. Der markierte DAB-Sender schaltet sich automatisch nach 3 Sekunden ein. Sie können auch die Eingabetaste auf der Fernbedienung drücken. FM: Drücken Sie kurz die Tune (+/-) Tasten, um mit der automatischen Sendersuche zum nächsten erkannten Sender zu wechseln. Siehe "Auto Scan" (automatische Sendersuche) unter „FM-Menü“, um herauszufinden, wie Sie die automatische Sendersuche deaktivieren und Sender manuell einstellen können.
4. **SLEEP:** Drücken Sie diese Taste wiederholt, um die Zeitspanne, die das Radio spielt, zu aktivieren, bevor das Radio automatisch ausgeschaltet wird. Oder wählen Sie diese Zeitspanne auf der Fernbedienung mit der „Select“-Taste aus. Eine kleine Uhrenansicht  wird auf dem Display angezeigt, wenn die Abschaltfunktion (Sleep) aktiv ist. Zum Löschen der Abschaltfunktion drücken Sie die "Sleep"-Taste, bis das Display "Off" anzeigt.

5. **BLUETOOTH-SIGNALSTÄRKE:** Drücken Sie diese Taste, um den *Bluetooth*-Modus aufzurufen. Drücken und halten Sie die *Bluetooth*-Taste, um den Speicher für alle gekoppelten Geräte zu löschen. Das Display zeigt "Memory Cleared" (Speicher gelöscht) an.
6. **SOURCE (QUELLE):** Mehrmals hintereinander drücken, um die Quellen zu ändern.
7. **ALARM 1 UND ALARM 2:** Drücken Sie diese Tasten, um die gewünschte Alarmzeit automatisch für eine der beiden Alarmfunktionen einzustellen.
8. **ALARM-DERHKNOPF:** Nachdem Sie eine der beiden Alarmtasten gedrückt haben, drehen Sie diesen Knopf, um die Stunde einzustellen, und drücken ihn ein, um die Einstellung zu fixieren. Gehen Sie gleichermaßen für die Einstellung der Minuten vor und drücken Sie den Knopf ein, um die Einstellung zu fixieren, oder die Alarmzeit wird automatisch nach 3 Sekunden eingestellt. Der Weckalarm ist jetzt eingestellt. Die Weckzeit für jeden Alarm wird auf dem Display angezeigt. Drücken Sie die entsprechende Alarmtaste erneut, um den Alarm zu deaktivieren. Weitere wichtige Alarmeinstellungen finden Sie unter „Einstellung des Alarms über das Hauptmenü“.

Erläuterung der Bedienelemente (Rückseite)



1. **12 VDC/1500 mA:** Über diesen Eingang können Sie Ihr Albergo+ über das Netzteil betreiben. **Verwenden Sie ausschließlich das mit diesem Produkt gelieferte Netzteil.** Bei Beschädigung oder Verlust des Netzteils darf nur ein identisches Ersatzteil verwendet werden. Jedes benutzte DC-Netzteil muss der EN/IEC 60065 entsprechen und für 12VDC 1500mA und 230V 50Hz ausgelegt sein (abhängig von den örtlichen Gegebenheiten). Die Verwendung eines vom Hersteller nicht empfohlenen bzw. nicht normgerechten Netzteils ist eine potentielle Gefahrenquelle. Der Steckverbinder ist 5,5 mm/2,1 mm., Mitte positiv. Eine Erwärmung des Netzteils während des Betriebs ist völlig normal.
2. **EXTERNE ANTENNE:** An diesem Eingang ist eine externe, ausziehbare Antenne installiert, die nicht abnehmbar ist. Für besten Empfang ausrichten. Für weitere Informationen lesen Sie den Abschnitt "Digitalradio/FM-Empfang".
3. **KOPFHÖRERAUSGANG:** An diesen Stereoanschluss können Sie einen Kopfhörer (nicht im Lieferumfang enthalten) anschließen. Bei angeschlossenem Kopfhörer wird der Gerätelautsprecher deaktiviert. Die Kopfhörerlautstärke wird über den Drehregler oder die Fernbedienung geregelt. Der Ausgang kann auch über die Taste "Mono" der Fernbedienung gesteuert werden. Der Stereoausgang ist für 3,5-mm-Klinkenstecker ausgelegt. Vermeiden Sie beim Tragen von Kopfhörern zu hohe Lautstärke, um Gehörschaden zu verhindern.


- AUX IN:** Um ein externes Gerät wie beispielsweise Model CD von Tivoli Audio, einen MP3-Spieler oder ein Fernsehgerät anzuschließen, verbinden Sie den Audioausgang des externen Geräts mit diesem Stereoeingang und stellen die Quelle auf "Auxiliary". Der Stereoeingang ist für 3,5-mm-Klinkenstecker ausgelegt. **Beachten Sie: Sie die Lautstärke für die Wiedergabe eines externen Geräts anders einstellen müssen als im Radiobetrieb.**
- Speaker:** Schließen Sie den RCA-Kabelstecker des optionalen Tivoli Audio Albergo+ Speaker an diese RCA-Ausgangsbuchse an. Achten Sie darauf, dass für Stereo/Mono „Stereo“ eingestellt ist, indem Sie die Mono-Taste auf der Fernbedienung drücken. Das Display darf nicht „M“ für Mono anzeigen.

Funktionsbeschreibung (Fernbedienung)

1. Power (Ein-/Ausschalter):

Drücken Sie kurz diese Taste, um Albergo+ einzuschalten. Das Radio wird eingeschaltet, und die zuletzt verwendete Quelle wird aktiviert.

2. MUTE/SNOOZE: Drücken Sie diese Taste während der Tonwiedergabe des Geräts, um den Audioausgang zu deaktivieren (die Balken zur Anzeige der Lautstärke verschwinden vom Symbol) Drücken Sie die Taste erneut oder stellen Sie die Lautstärke ein, um die Wiedergabe wiederherzustellen. Drücken Sie diese Taste, um den Alarm 10 Minuten lang zu deaktivieren, nachdem dieser ertönt. An der Anzeige wird Symbol angezeigt, wenn die Schlummerfunktion aktiviert ist. Die Zeit der Schlummerfunktion ist nicht einstellbar. Wenn die Schlummertaste im Schlummermodus erneut gedrückt wird, wird der Schlummer-Timer auf 10 Minuten zurückgesetzt.

Drücken Sie diese Taste während der Tonwiedergabe des Geräts, um den Audioausgang zu deaktivieren (die Balken zur Anzeige der Lautstärke verschwinden vom Symbol) Drücken Sie die Taste erneut oder stellen Sie die Lautstärke ein, um die Wiedergabe wiederherzustellen. Drücken Sie diese Taste, um den Alarm 10 Minuten lang zu deaktivieren, nachdem dieser ertönt. An der Anzeige wird  Symbol angezeigt, wenn die Schlummerfunktion aktiviert ist.

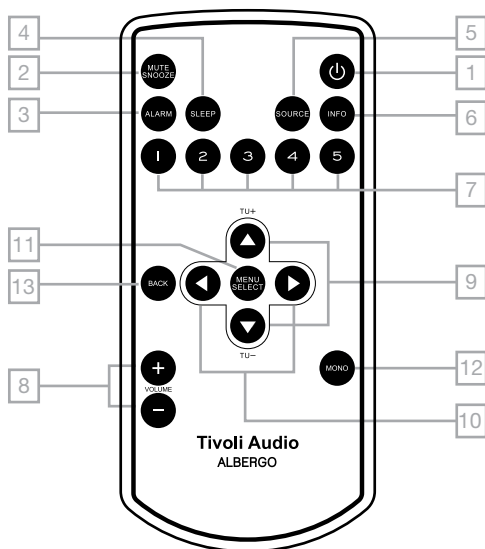
Die Zeit der Schlummerfunktion ist nicht einstellbar. Wenn die Schlummertaste im Schlummermodus erneut gedrückt wird, wird der Schlummer-Timer auf 10 Minuten zurückgesetzt.

3. ALARM: Verwenden Sie die Pfeiltasten ▲▼ und die Taste "Select" (Auswählen), um Einstellungen vorzunehmen und die Alarme einzustellen. Weitere wichtige Alarmeinstellungen finden Sie unter „Einstellung des Alarms über das Hauptmenü“.

4. SLEEP: Drücken Sie diese Taste wiederholt, um die Zeitspanne, die das Radio spielt, zu aktivieren, bevor das Radio automatisch ausgeschaltet wird. Oder wählen Sie diese Zeitspanne auf der Fernbedienung mit der „Select“-Taste aus. Eine kleine Uhrenansicht wird auf dem Display angezeigt, wenn die Abschaltfunktion (Sleep) aktiv ist. Zum Löschen der Abschaltfunktion drücken Sie die "Sleep"-Taste, bis das Display "Off" anzeigt.

5. SOURCE (QUELLE): Mehrmals hintereinander drücken, um die Quellen zu ändern.

6. INFO: Drücken Sie mehrmals, um durch die Informationen, die je nach gewähltem Modus vorhanden sind, zu schalten.



7. **VOREINSTELLUNGEN 1-5:** Halten Sie die Taste gedrückt, um den gerade eingestellten Sender zu speichern. Drücken Sie die Taste kurz, um den Sender aufzurufen, der über die Voreinstellung gespeichert ist. Die Nummer des voreingestellten Senders wird an der Anzeige angezeigt. Es gibt 5 Voreinstellungen pro Band.
8. **VOLUME +/-:** Drücken Sie die Plus-taste (+), um die Lautstärke zu erhöhen, oder die Minus-taste (-), um die Lautstärke zu verringern. Sollte der Klang verzerrt sein, verringern Sie die Lautstärke, um eine Beschädigung des Lautsprechers zu vermeiden. Wenn die Lautstärke verstellt wird, während Albergo+ deaktiviert ist, wird die Deaktivierung aufgehoben.
9. **▲▼/TUNE +/-:** Drücken Sie die Taste, um die Menüpunkte einzustellen, wenn Sie im Menü sind. Verwenden Sie diese Tasten im DAB-Modus, um alle verfügbaren DAB/DAB+-Sender anzuzeigen. Verwenden Sie die ▲▼-Tasten, um bestimmte Sender zu markieren. Der markierte DAB-Sender schaltet sich automatisch nach 3 Sekunden ein. Sie können auch die Eingabetaste auf der Fernbedienung drücken. FM: Drücken Sie kurz die Tune +/- Tasten, um mit der automatischen Sendersuche zum nächsten erkannten Sender zu wechseln. Siehe "Auto Scan" (automatische Sendersuche) unter „FM-Menü“, um herauszufinden, wie Sie die automatische Sendersuche deaktivieren und Sender manuell einstellen können.
10. **◀▶:** Die rechte Pfeiltaste dupliziert die Wahltaste. Die linke Pfeiltaste führt Sie unter bestimmten Menü-Objekten auf die vorherige Seite zurück.
11. **MENU/SELECT (MENÜ/AUSWAHL):** Drücken und halten Sie die Taste, um das Hauptmenü auszuwählen. Drücken Sie kurz, um einzelne Punkte innerhalb des Menüs auszuwählen. Weitere Informationen finden Sie im Abschnitt "Menü". Weitere Hinweise finden Sie in den Abschnitten unten: „Menü für DAB, FM und Auxiliary-Menüs.“
12. **MONO:** Drücken Sie diese Taste, um die Stereo/Mono-Einstellung zu ändern. An der Anzeige wird "M" für Mono oder "ST" für Stereo angezeigt. Diese Einstellung beeinflusst auch den Kopfhörerausgang. Weitere Informationen finden Sie im Abschnitt "Digital Radio/FM- Empfang".
13. **BACK (ZURÜCK):** Drücken Sie die Taste, um zur vorhergehenden Menüseite zurückzugelangen.

Hinweis: Mit dem Albergo+ im Standby-Modus können Sie die Hintergrundbeleuchtung des Displays regulieren, ohne das Albergo+ einzuschalten und das Menü aufzurufen. Drücken Sie zweimal auf die ▲-Taste auf der Fernbedienung, um die Hintergrundbeleuchtung auszuschalten. Drücken Sie auf die ▲-Taste auf der Fernbedienung, um die Hintergrundbeleuchtung für 10 Sekunden einzuschalten. Drücken Sie zwei weitere Male auf die ▲-Taste auf der Fernbedienung, um die Hintergrundbeleuchtung wiederherzustellen.

Digitalradio (DAB/DAB+/DMB) Modus

Halten Sie die „Menu“-Taste im DAB-Modus auf der Fernbedienung gedrückt, um das Hauptmenü aufzurufen. Benutzen Sie die ▲▼ Tasten und die Select-Taste für Einstellungsänderungen im Menü. Verwenden Sie die Back-Taste, um zurück zu navigieren.

Ein Sternchen (*) zeigt an, dass das angezeigte Menü aktuell eingestellt ist.

Hinweis: Wenn Sie den Digitalradio-Modus aufrufen und die Senderliste leer ist, wird ein automatischer Scan gestartet.

Hinweis: Das Hauptmenü wird nicht mehr angezeigt, wenn nach neun Sekunden keine Handlung erfolgt.

1. **AUTO SCAN:** Durchsucht den gesamten Frequenzbereich. Wenn Sie das Albergo+ an einem anderen Standort aufstellen, müssen Sie eine neue Sendersuche durchführen,

damit das Radio am neuen Standort Sender finden kann. Zum Löschen der automatischen Sendersuche drücken Sie die "Back"-Taste auf der Fernbedienung.

2. **TIVOLI EQ:** Drücken Sie die Select-Taste und verwenden Sie ▲▼ und die Select-Taste, um Bass und Treble (Bass und Höhen) einzustellen. Die eingestellten Werte werden unter "User EQ" angezeigt. Drücken Sie die Select-Taste zum Ein- oder Ausschalten der Lautstärke. Es wird empfohlen, die Lautstärke beim Hören auf niedriger Lautstärke einzuschalten, da dies die hohen und niedrigen Frequenzen erhöht und zu einem natürlicheren Klang führt. Verwenden Sie die ▲▼ Tasten und die Select-Taste zur Aktivierung einer der drei voreingestellten EQ-Einstellungen. Die Wahl eines voreingestellten EQ hebt alle Einstellungen auf, die zuvor für Bass und Treble vorgenommen wurden; die Lautstärke wird hiervon jedoch nicht betroffen. Der "Flat" EQ setzt die Klangeinstellungen auf die Werkseinstellungen zurück. Das bedeutet, dass Bass und Treble auf null zurückgesetzt werden. Der "Flat" EQ setzt auch die Einstellung "Loudness Off" (Lautstärke aus) zurück. Wenn Bass und Treble jedoch eingestellt wurden, werden diese Anzeigen weiterhin unter "User EQ" angezeigt. Das einfache Anwählen von "User EQ" reaktiviert die Bass- und Treble-Einstellungen wieder. Auf der EQ-Menüseite zeigen die Zahlen rechts die Bass- und Höheneinstellungen an.
3. **MANUELLE EINSTELLUNG:** Drücken Sie die ▲▼ Tasten zur manuellen Einstellung spezifischer DAB/DAB+/DMB-Frequenzen. Der markierte DAB-Sender schaltet sich automatisch nach 3 Sekunden ein oder wenn die Eingabetaste auf der Fernbedienung gedrückt wird.
4. **DRC:** Die Dynamic Range Control ermöglicht die Änderung der Klangebenen der Sender, so dass leise Passagen lauter werden, um damit laute Umgebungen auszugleichen, oder wenn die Lautstärke niedrig eingestellt ist.
5. **EINSTELLUNGEN (A-F):**

A. **ALARM:** Siehe „Alarm-Einstellung über das Hauptmenü.“

B. TIME

Zeit/Datum einstellen: Drücken Sie die Select-Taste und verwenden Sie die ▲▼ Tasten und die Select-Taste, um die Stunden und Minuten und direkt danach das Datum einzustellen. Weiters müssen Sie das Auto Update auf "No Update" (kein Update) einstellen. Für weitere Informationen siehe "Auto Update" unten.

Auto Update: Drücken Sie die Select-Taste und verwenden Sie die ▲▼ Tasten und die Select-Taste, um unter "Update from any" (Update von beliebig), "Update from DAB" (Update von DAB oder DMB) oder "Update from FM" (Update von FM RDS) zu wählen. Damit die automatischen Aktualisierungen funktionieren, benötigen Sie einen durchgängigen DAB- oder FM RDS-Empfang mit Zeit-/Datumsignal. Die Uhr kann eine Minute oder länger für die Aktualisierung benötigen. Tivoli Audio ist nicht für falsche Zeit-/Datumsangaben durch das automatische Update-Signal verantwortlich. Zum manuellen Einstellen der Uhr wählen Sie "No Update" und danach "Set Time/Date" unter dem "Time"-Menü mittels der ▲▼ oder ◀▶ Tasten und der Select-Taste zum Einstellen der Stunden. Wiederholen Sie den Vorgang zum Einstellen der Minuten und drücken Sie auf "Select" zum Speichern.

12/24 Std.-Anzeige: Drücken Sie die Select-Taste und verwenden Sie die Aufwärts-/Abwärtspeile und die Select-Taste, um das 12- oder 24-Std.-Format einzustellen.

Datumsformat Einstellen: Drücken Sie die Select-Taste und verwenden Sie die ▲▼ Tasten und die Select-Taste, um das von Ihnen bevorzugte Datumsformat zu wählen.

C. BACKLIGHT:

Timeout (Zeitbeschränkung): Die Hintergrundbeleuchtung kann konstant sein, unabhängig davon, ob Sie Schalter am Albergo+ bedienen oder nicht (das ist die Werkseinstellung des Albergo+) oder Sie können die Hintergrundbeleuchtung so einstellen, dass sie automatisch nach einer festgelegten Zeitdauer, in der keine Schalter bedient werden, abdunkelt. Sobald ein Schalter am Gerät oder an der Fernbedienung gedrückt wurde, wird die normale Helligkeit der Hintergrundbeleuchtung wieder hergestellt. Drücken Sie Select und verwenden Sie die ▲▼ Tasten und die Select Taste, um die Zeitspanne von 10, 20, 30, 45, 60, 90, 120 oder 180 Sekunden einzustellen, nach der die Hintergrundbeleuchtung abdunkelt oder um die Zeitbeschränkungsfunktion auszuschalten.

Einschalten: Drücken Sie Select und verwenden Sie die ▲▼ Tasten und die Select-Taste, um die Helligkeit der Hintergrundbeleuchtung zu wählen.

Abdunkeln: Wenn Sie unter "Timeout" eine Zeitspanne gewählt haben, nach der die Hintergrundbeleuchtung abdunkelt, drücken Sie Select und verwenden Sie die ▲▼ Tasten und die Select-Taste, um die Helligkeit der Hintergrundbeleuchtung beim Wechsel in den abgedunkelten Modus zu wählen.

- D. **SPRACHE:** Drücken Sie Select und verwenden Sie die Aufwärts-/Abwärts-Tasten, um Ihre Sprache einzustellen.
- E. **ZURÜCKSTELLEN AUF WERKSEINSTELLUNG:** Drücken Sie Select und verwenden Sie ▲▼ oder ◀▶ und die Select-Taste, um die Zurücksetzung auf die Werkseinstellung zu bestätigen (Ja) oder abzulehnen (Nein). Ein Zurücksetzen auf die Werkseinstellungen stellt die Grundeinstellungen wieder her und löscht Ihre persönlichen Einstellungen, wie z.B. alle Voreinstellungen und die Sprachauswahl.
- F. **ID:** Drücken Sie Select zum Ansehen der ID. Wenn Sie Ihren Händler oder Tivoli Audio mit einer Frage kontaktieren, wird man Sie nach der Nummer fragen, die in diesem Feld angezeigt wird

FM-Menü

Halten Sie die Menu/Select-Taste im FM-Modus auf der Fernbedienung gedrückt, um das Hauptmenü aufzurufen. Benutzen Sie die ▲▼ Tasten und die Select-Taste für Einstellungsänderungen im Menü. Verwenden Sie die Back-Taste, um zurück zu navigieren. Ein Sternchen (*) zeigt an, dass das angezeigte Menü aktuell eingestellt ist.

Hinweis: Das Hauptmenü wird nicht mehr angezeigt, wenn nach neun Sekunden keine Handlung erfolgt.

1. **SUCHEINSTELLUNG:** Drücken Sie die Select-Taste und verwenden Sie ▲▼ und die Select-Taste, um zwischen "Strong Stations Only" (nur Sender mit gutem Empfang) oder "All Stations" (alle Sender) zu wählen, wenn Sie eine automatische Sendersuche ausführen (siehe Punkt 9 (▲▼/Tune +/-) unter "Fernbedienung"). Die Wahl von "All Stations" erhöht die Suchempfindlichkeit, so dass die automatische Suche eventuell auf einem Rauschen stehenbleibt.
2. **AUTOMATISCHER SCAN (NICHT IN DEN AUX-MENÜS):** Drücken Sie auf die Select-Taste und verwenden Sie ▲▼ und die Select-Tasten, um zwischen „Strong Stations only“ (Nur starke Sender), „All Stations“ (Alle Sender) oder „Off“ (Aus) auszuwählen, wenn Sie einen Auto Scan(siehe Punkt 9 (Tune +/-) unter „Remote Control“ (Fernbedienung) durchführen. Bei Auswahl von „All Stations“ (Alle Sender) wird die Empfindlichkeit des Scans erhöht, was möglicherweise dazu führt, dass Auto Scan bei Geräuschen anhält. Bei Auswahl von „Off“ wird Auto Scan deaktiviert und die Sender können manuell eingestellt werden.

3. **RDS:** Halten Sie die Select-Taste gedrückt und verwenden Sie die \leftarrow und Select-Tasten, um den FM RDS-Text zu aktivieren oder zu deaktivieren. Weitere Hinweise finden Sie unter „RDS“.
4. **TIVOLI EQ:** Siehe Beschreibung unter „Digitalradio-Menü“.
5. **EINSTELLUNGEN:** Siehe Beschreibung unter „Digitalradio-Menü“.

Auxiliary-Menü

Halten Sie die Menu/Select-Taste im Auxiliary-Modus auf der Fernbedienung gedrückt, um das Hauptmenü aufzurufen. Benutzen Sie die \blacktriangle / \blacktriangledown Tasten und die Select-Taste für Einstellungsänderungen im Menü. Verwenden Sie die Back-Taste, um zurück zu navigieren. Ein Sternchen (*) zeigt an, dass das angezeigte Menü aktuell eingestellt ist.

Hinweis: Das Hauptmenü wird nicht mehr angezeigt, wenn nach neun Sekunden keine Handlung erfolgt.

1. **TIVOLI EQ:** Siehe Beschreibung unter „Digitalradio-Menü“.
2. **ALARM 2:** Wenn Sie den Alarm 2 wahrscheinlich nicht benutzen oder befürchten, dass der Alarm 2 möglicherweise falsch eingestellt ist, drücken Sie die Select-Taste und deaktivieren Sie den Alarm mit den \blacktriangle / \blacktriangledown - und Select-Tasten.
3. **EINSTELLUNGEN:** Siehe Beschreibung unter „Digitalradio-Menü“.
4. **LAUTSTÄRKENEINSCHRÄNKUNG:** Wenn Sie die maximale Lautstärke reduzieren möchten, um die anderen nicht zu stören, halten Sie die Select-Taste gedrückt und wählen mit den \blacktriangle / \blacktriangledown -Tasten den Lautstärkengrenzwert 26 oder 22 aus. Bei Auswahl von „Off“ verbleibt die maximale Lautstärke auf der Werkseinstellung 30. Beachten Sie bitte, dass beim Reduzieren der Gesamtlautstärke auch die Lautstärke des Weckalarms reduziert wird.
5. **BLUETOOTH-SIGNALSTÄRKE:** Verwenden Sie \blacktriangle / \blacktriangledown und die Select-Taste, und wählen Sie „Low“, wenn Sie die Reichweite des *Bluetooth*-Signals verringern möchten. Dies kann erwünscht sein, wenn die *Bluetooth*-Funktion nur dann verwendet wird, wenn Sie sich in unmittelbarer Nähe zum Radio aufhalten. Wir empfehlen, dass diese Einstellung in „Normal“-Stellung bleibt.

Ändern der Alarmeinstellungen und Einstellen des Alarms über das Hauptmenü

1. Wenn Sie sich im DAB-, FM- oder Aux-Modus befinden und wenn Alberg+ eingeschaltet ist, können Sie die Alarmeinstellung aufrufen, indem Sie die Menu-Taste auf der Fernbedienung gedrückt halten. Wählen Sie im Menü die Optionen „Settings“ und „Alarm“ aus.
2. Alarm 1 wird zuerst angezeigt. Drücken Sie die Taste „Alarm“ oder verwenden Sie die Tasten \blacktriangle / \blacktriangledown und die Taste „Select“, um Alarm 1 oder Alarm 2 zu wählen. Hinweis: Sie können jederzeit durch das Alarmmenü navigieren, indem Sie die Tasten „Back“ oder Pfeil links betätigen und die Tasten „Select“ oder right Pfeil rechts.
3. Verwenden Sie die Tasten \blacktriangle / \blacktriangledown und die Taste „Select“, um den Alarm ein- oder auszuschalten.
4. Verwenden Sie die Tasten \blacktriangle / \blacktriangledown , um die Stunde(n) einzustellen oder zu ändern, und drücken Sie dann „Select“. Wiederholen Sie diesen Ablauf zum Einstellen/Ändern der Minuten, gefolgt von AM/PM (wenn die Zeit auf das 12-Std. Format eingestellt wurde) und drücken Sie dann Select.

- Benutzen Sie die ▲▼ Tasten, um die Quelle für das Aufwecken zu wählen und drücken Sie dann Select. Wenn Sie als Quelle DAB (umfasst DAB+/DMB) oder FM wählen, verwenden Sie die Aufwärts-/Abwärts-Tasten zur Auswahl des Senders, der voreingestellt war (falls Voreinstellungen gespeichert wurden) oder zuletzt gehört wurde und drücken Sie dann auf Select.
- Benutzen Sie die ▲▼ Tasten, um festzulegen, wie oft der Alarm auf Wecken eingestellt werden soll und drücken Sie dann Select.
- Verwenden Sie als Letztes die Tasten ▲▼, um die Lautstärke des Alarms einzustellen, dann drücken Sie "Select". Um sicherzustellen, dass der Alarmton hörbar ist, wenn der Weckruf beginnt, kann die Lautstärke nicht unter einen bestimmten Minimalwert eingestellt werden. Auch die "Volume Limit"-Funktion (Lautstärkebegrenzung) im Auxiliary-Menü beeinflusst die Lautstärke des Alarms.
- Wiederholen Sie diesen Vorgang wenn nötig für Alarm 2.

Wenn Sie in diesem Ablauf einen Fehler machen, drücken Sie die "Back" (Zurück) Taste auf der Fernbedienung und beginnen Sie erneut.

Hinweis: Ihre Einstellungen werden erst gespeichert, wenn Sie den gesamten Ablauf abgeschlossen haben und das Display "Alarm Saved" (Alarm gespeichert) anzeigt.

Hinweis: Wenn Sie die Alarmquelle auf DAB einstellen und der zuletzt gehörte oder voreingestellte Sender zum Zeitpunkt des Alarms nicht verfügbar ist, wird der Alarm auf den Standardton zurückgesetzt.

Stromverlust: Sollte ein Stromverlust auftreten oder Albergo+ vom Netz getrennt werden, wird die Alarmzeit gespeichert – allerdings kann Albergo+ keinen Alarm geben, wenn die Stromversorgung unterbrochen ist.

Alarmoptionen

Der Alarm erklingt mit einer stufenweise ansteigenden Lautstärke. Wenn der Alarm erklingt, können Sie die Schlummerfunktion aktivieren oder den Alarm abschalten.

Snooze (Schlummerfunktion): Um die Schlummerfunktion zu aktivieren, während der Alarm ertönt, drücken Sie an der Fernbedienung die Taste "Snooze", oder drücken Sie kurz den Mehrzweck-Drehregler, der sich an der Oberseite des Geräts befindet. Die Schlummerzeit lässt sich nicht einstellen. Wenn die Schlummertaste im Schlummermodus erneut gedrückt wird, wird der Schlummer-Timer auf 10 Minuten zurückgesetzt. Wenn der Weckalarm ertönt, den oberen Schlummer-Drehregler gedrückt halten, bis der Alarm und das Gerät ausgeschaltet ist oder die entsprechende Alarmtaste drücken.

Alarm Aus: Um den Alarm zu stoppen, drücken Sie an der Fernbedienung die Taste "Alarm" oder die Taste "Power", oder halten Sie den Mehrzweck-Drehregler gedrückt, der sich an der Oberseite des Geräts befindet.

Alarm-Schnelleinstellung: Drücken Sie mehrmals kurz auf die Alarmtaste, während das Albergo+ im Standby-Modus ist, um den jeweiligen Alarm ein- oder auszuschalten.

Bluetooth Betrieb

Vor dem Koppeln überprüfen Sie ob Ihr Gerät *Bluetooth* 2.1+EDR A2DP unterstützt und ob es nicht schon an einem anderen *Bluetooth*-Gerät angeschlossen ist. Geräte können unterschiedlich koppeln. Unten ist eine allgemeine Anleitung.

1. Drücken Sie die *Bluetooth*-Taste auf der Vorderseite des Albergo+ oder ändern Sie die Quelle zu *Bluetooth*. Dies schaltet *Bluetooth* ein. Erhöhen Sie die Lautstärke zu Beginn um etwa ein Viertel. Drehen Sie außerdem die Lautstärke des Quellgeräts auf (das Gerät, von dem Sie streamen möchten).
2. Schalten Sie die *Bluetooth* Funktechnik an Ihrem *Bluetooth*-fähigen Gerät ein.
3. Wählen Sie auf Ihrem Gerät "Tivoli *Bluetooth* (Not Paired)" wenn es angezeigt wird, um die Suche zu initiieren. Einige Geräte werden Sie nach einer PIN fragen. In diesem Fall geben Sie „0000“ ein. "Tivoli *Bluetooth*" wird von "Not Paired" auf "Connected" umschalten.
4. Das Albergo+ wird einen Klingelton abgeben der die Verbindung bestätigt. Sie können nun anfangen Ihre Musik-Dateien drahtlos abzuspielen. Stellen Sie die Lautstärke auf Ihrem Gerät ein. Es sollte nicht nötig sein Ihr Gerät erneut zu koppeln. **Je nach Gerät ist es möglich, dass Sie mehrere Versuche benötigen, um eine Kopplung und/oder Verbindung mit dem Albergo+ herzustellen, aber lassen Sie Ihrem Gerät zum Koppeln oder Verbinden bitte genügend Zeit, bevor Sie den Vorgang wiederholen.**

Verbinden Eines *Bluetooth*-fähigen iPhone/iPod touch/iPad

1. Drücken Sie die *Bluetooth*-Taste auf der Vorderseite des Albergo+ oder ändern Sie die Quelle zu *Bluetooth*. Dies schaltet *Bluetooth* ein. Erhöhen Sie die Lautstärke zu Beginn um etwa ein Viertel. Drehen Sie außerdem die Lautstärke des Quellgeräts auf (das Gerät, von dem Sie streamen möchten).
2. Wählen Sie "Settings" (abhängig von der Software-Version Ihres Gerätes).
3. Wählen Sie "General".
4. Wählen Sie "*Bluetooth*".
5. Schalten Sie *Bluetooth* auf "On", um die Suche zu initiieren.
6. Wählen Sie "Tivoli *Bluetooth* (Not Paired)", sobald es auf dem Display erscheint. Wenn Sie aufgefordert werden, eine PIN einzugeben, geben Sie „0000“ ein. "Tivoli *Bluetooth*" wird von "Not Paired" auf "Connected" umschalten.
7. Das Albergo+ wird einen Klingelton abgeben der die Verbindung bestätigt. Sie können nun anfangen Ihre Musik-Dateien drahtlos abzuspielen. Stellen Sie die Lautstärke auf Ihrem Gerät ein. Es sollte nicht nötig sein Ihr iPhone / iPod / iPad erneut zu koppeln.

Der Lautstärkepegel von Musik-Dateien variiert. Wenn Sie einen noch höheren Ausgangspegel bevorzugen, überprüfen Sie die Einstellungen in Ihrem iPhone / iPod touch / iPad: Stellen Sie den EQ aus, den Soundcheck ab, und die Lautstärkebegrenzung aus.

Wenn Sie beim Koppeln jemals auf Probleme stoßen, drücken Sie auf Ihrem iPhone / iPod touch / iPad Display auf den kleinen Pfeil rechts neben "Tivoli *Bluetooth*" und wählen Sie "Forget this Device". Dannach können Sie die Kopplung erneut versuchen. **Je nach Gerät ist es möglich, dass Sie mehrere Versuche benötigen, um eine Kopplung und/oder Verbindung mit dem Albergo+ herzustellen, aber lassen Sie Ihrem Gerät zum Koppeln oder Verbinden bitte genügend Zeit, bevor Sie den Vorgang wiederholen.**

Beim Streamen von Musik können Sie auf dem iPhone / iPod touch / iPad-Display auf den blauen Pfeil auf der rechten Seite des nächsten Titels Taste >>/ drücken, um zwischen dem iPhone / iPod / iPad und *Bluetooth* abzuwechseln.

WICHTIGER HINWEIS:

- Das Albergo+ wird die Kopplungs-Informationen von bis zu 8 Geräten behalten. Zusätzliche Geräte können gekoppelt werden, aber das am längsten nicht verwendete Gerät wird von dem neu gekoppelten Gerät ersetzt werden.
- Wenn während der Wiedergabe die Audio ausfällt oder aufhört, bewegen Sie das Gerät näher an das Albergo+, oder prüfen Sie, ob nicht andere drahtlose Geräte das Signal stören.
- Beim Umschalten von *Bluetooth* auf AM oder FM, müssen Sie eventuell die Lautstärke des Radios anpassen.

Digital Radio/FM- Empfang

Die mitgelieferte externe FM-Antenne sorgt für einen guten Empfang. An Orten mit einem starken FM-Signal kann die Länge der Antenne verringert werden, um den Empfang zu verbessern.

Wenn Sie Albergo+ zusammen mit dem optionalen Albergo+ Speaker für Stereoklang verwenden und einen FM-Sender hören, der durch Geräusche gestört wird, drücken Sie an der Fernbedienung die Taste "Mono", um die Hörqualität zu verbessern. Das Display zeigt ein "M" für Mono und ein "ST" für Stereo an.

Gebäude aus Beton-, Stahl- oder Aluminiumfassaden behindert den Empfang. Haushaltsgeräte, Heizdecken, Computer, CD-Player und andere elektronische Geräte können den Empfang beeinträchtigen oder zu einem Rauschen führen. Wenn dies der Fall sein sollte, stellen Sie das Albergo+ weiter von der Störquelle entfernt auf oder stecken es in eine andere Steckdose ein, die nicht von einem anderen Gerät belegt wird.

Hinweis: Wenn Albergo+ an einen anderen Ort mit möglicherweise anderen DAB-Sendern verlagert wird, wird die Rücksetzung auf die werkseitige Einstellung empfohlen, um einen neuen Scan zur Aktualisierung der DAB-Senderliste zu initiieren.

DAB DISPLAY-NACHRICHTEN

Untergeordnete Dienste: Untergeordnete Sender werden durch ein >> Symbol neben dem Sendernamen gekennzeichnet. Untergeordnete Dienste sind in Ihrer Gegend möglicherweise nicht verfügbar.

"?": Wenn dieses Symbol neben dem Sendernamen erscheint, bedeutet dies, dass der Sender ungültig oder nicht aktiv ist.

"Not Available": Wird angezeigt, wenn ein DAB-Sender mit zu schwachem Signal eingestellt wird.

RDS/RBDS (nur FM-Frequenzbereich)

Das Funkdatensystem überträgt Textdaten zusammen mit der Tonübertragung. Da dieser Dienst nicht von allen FM-Sendern genutzt wird, wird bei manchen Sendern kein Text angezeigt. Auch bei Sendern, die RDS senden, ist es möglich, dass kein Text oder unleserlicher Text angezeigt wird, wenn das Signal zu schwach ist. In solch einem Fall sollten Sie versuchen, die Position der FM-Antenne zu verändern. Beachten Sie, dass der RDS-Inhalt der einzelnen FM-Sender unterschiedlich ist.

Aufstellung

Stellen Sie Albergo+ auf einer ebenen, stabilen Fläche auf. Um den Bassbereich nicht zu beeinträchtigen und ausreichende Belüftung zu gewährleisten, nicht den hinteren Bassport verstellen. Albergo+ ist nicht gegen Bildsignale abgeschirmt und sollte daher in einem Abstand von mindestens 127 mm von Computern und Fernsehgeräten entfernt aufgestellt werden. Durch Aufstellen der Lautsprecher in Bücherregalen, Schränken oder nahe an Wänden oder Raumecken kann es zur Verstärkung des Basses kommen und hierdurch ein unnatürlicher Klang entstehen.

Reinigung

Verwenden Sie an Ihrem Radio nie aggressive Reinigungs- oder Lösungsmittel.

Garantie

Tivoli Audio Produkte erfüllen einen hohen qualitativen Standard. Wir sind sicher, dass wir auch Sie mit dem Produkt überzeugen können. Sollten Sie trotzdem einen Sachmangel feststellen, ist dieser durch die 24monatige Gewährleistungsfrist ab Kaufdatum abgedeckt. Bitte heben Sie daher Ihren Kaufbeleg auf. Die Garantie ist bei Weiterverkauf nicht übertragbar.

Für Produkte, die in der Europäischen Union und in Norwegen erworben wurden, besteht eine Mindestgarantiedauer von zwei Jahren. In Ländern, in denen eine Mindestgewährleistungsfrist per Gesetz festgelegt ist, besteht die Garantie über den gesetzlich vorgeschriebenen Zeitraum. In allen anderen Ländern beträgt die Garantiedauer ein Jahr.

Diese beschränkte Garantie umfasst die Funktionsfähigkeit des Produkts im Rahmen seiner normalen, bestimmungsgemäßen Verwendung, wie in dieser Betriebsanleitung beschrieben. Sie umfasst keine Funktionsstörungen oder Schäden, die durch unsachgemäße und unangemessene Verwendung oder Montage, durch Verwendung des Ladegeräts zum Aufladen von Alkalibatterien, durch defekte Zusatzgeräte, Veränderungen, unberechtigte Reparaturen, Beschädigung oder Verlust beim Transport, missbräuchliche Verwendung, Unfälle, Betrieb mit unzulässiger Spannung/Stromstärke, Stromschwankungen, Blitzeinschlag oder andere Risiken höherer Gewalt, übermäßige Feuchtigkeit, normalen Verschleiß, gewerbliche Nutzung oder durch den Erwerb von nicht autorisierten Händlern verursacht wurden. Für den Garantieservice ist ein Kaufbeleg als Nachweis, dass der Artikel bei einem autorisierten Händler gekauft wurde, erforderlich.

Für Reparaturen oder den Garantieservice kontaktieren Sie bitte den Händler, bei dem Sie den Artikel gekauft haben oder Ihren Händler vor Ort.

Bitte schrauben Sie das Gerät niemals auf. Es befinden sich keine Serviceteile im Inneren, die durch Sie ausgetauscht werden müssten. Tivoli Audio kommt nicht für Kosten auf, die durch die Korrektur von Empfangsstörungen, Beseitigung von Störungen/Geräuschen, durch Zeitverlust, Unannehmlichkeiten, Nutzungsausfall des Produkts oder durch Schäden, die durch den unsachgemäßen Gebrauch dieses Produkts verursacht wurden, entstanden sind.

Für den Fall, dass das Produkt während der Garantiedauer zurückgegeben wird und es unter diese beschränkte Garantie fällt, werden defekte Teile von uns innerhalb eines angemessenen Zeitraums kostenlos repariert oder ersetzt.

DIESE BESCHRÄNKTE GARANTIE ERTEILT IHNEN BESTIMMTE RECHTE, DIE FESTGELEGTE BEDINGUNGEN UNTERLIEGEN. SIE VERFÜGEN MÖGLICHERWEISE AUCH ÜBER WEITERE RECHTSANSPRÜCHE, DIE FÜR DAS PRODUKT, DAS SIE ERWORBEN

HABEN, GELTEN. DIESE RECHTE SIND VON LAND ZU LAND VERSCHIEDEN. IN MANCHEN LÄNDERN IST DER AUSSCHLUSS, DIE BESCHRÄNKUNG ODER VERÄNDERUNG BESTIMMTER STILLSCHWEIGENDER RECHTE ODER IHRER GÜLTIGKEIT NICHT GESTATTET. IN DIESEN FÄLLEN GILT DIESE BESCHRÄNKTE GARANTIE NUR INSOWEIT, ALS DAS GELTENDE GESETZ DIES ERLAUBT.

Durch die Gesetze Ihres Landes verfügen Sie über Rechtsansprüche gegenüber dem Verkäufer oder Hersteller dieses Produkts. Diese beschränkte Garantie hat keine Auswirkungen auf diese Rechte.

Die Bestimmungen der beschränkten Garantie bestehen an Stelle von anderen Garantien oder Bestimmungen, mit Ausnahme der vom Gesetz vorgegebenen. Diese beschränkte Garantie wirkt sich nicht auf Rechte aus, die Ihnen gesetzlich zustehen und schließt keine Rechtsmittel aus, die Ihnen laut Gesetz zur Verfügung stehen.

In Ländern, in denen Haftungsbeschränkungen nicht gesetzlich ausgeschlossen sind, darf die Haftungshöchstgrenze von Tivoli Audio den Kaufpreis, den Sie für das Produkt bezahlt haben, nicht überschreiten. In Ländern, in denen Haftungsbeschränkungen von Gesetzes wegen ausgeschlossen sind, haftet Tivoli Audio nur für den direkten Schaden bei Körperverletzungen und/oder an beweglichem und unbeweglichem Eigentum, der durch die Nachlässigkeit von Tivoli Audio entstanden ist.

Wenn dies nicht gesetzlich untersagt ist, haftet Tivoli Audio nicht für besondere, indirekte, Neben- oder Folgeschäden. In einigen Ländern sind Haftungsbeschränkungen sowie der Ausschluss und die Beschränkung von Rechtsmitteln bei besonderen, indirekten, Neben- oder Folgeschäden sowie die Beschränkung der Haftungssumme nicht gestattet, so dass die oben aufgeführten Beschränkungen oder Ausschlüsse möglicherweise nicht für Sie gelten.

Diese Garantie ist ungültig, wenn das Etikett mit der Seriennummer entfernt oder beschädigt wurde.

Wenn Sie bei Ihrem Händler einen erweiterten Servicevertrag abgeschlossen haben und nach Ablauf der Frist dieser beschränkten Garantie ein Service erforderlich ist, wenden Sie sich bitte an den Anbieter Ihres erweiterten Servicevertrags, um die Serviceleistung zu erhalten.

Sie können Ihr Produkt ganz bequem online auf unserer Website, www.tivoliaudio.com, für den Garantieservice registrieren. Sie sind gesetzlich nicht verpflichtet, persönliche Daten zur Verfügung zu stellen. Diese Daten gestatten es uns jedoch, einen Nachweis über die von Ihnen erworbenen Produkte von Tivoli Audio zu führen und die Käufer unserer Produkte besser zu verstehen. Die erfassten Daten werden von Tivoli Audio zu Marketingzwecken verwendet und, wenn es zulässig ist, werden wir Sie anhand der Daten in Bezug auf die Produkte, die Sie erworben haben und andere Produkte, die für Sie interessant sein könnten, kontaktieren. Die Daten, die Sie zur Verfügung stellen, dürfen in einem anderen Land weiterverarbeitet werden.

Spezifikationen

Modell:	Tivoli Audio Albergo+
Typ:	DAB/DAB+/DMB/FM Radiowecker mit <i>Bluetooth</i> -Wireless-Technologie
Treiber:	76,2 mm (3") Treiber für gesamten Bereich
Empfangsbänder:	FM:87.5-108MHz DAB (Band III)/DAB+: 174-240MHz (Empfangsbänder variieren je nach Region)
Stromversorgung:	112VDC nominal – 15VDC maximal, 1500 mA
Netzteil:	Tivoli Audio 1.5A- CE
FM De-Emphasis:	50 uSek oder 75 uSek (regionsabhängig)
Abmessungen:	110 mm H x 186 mm W x 129 mm D (4,34"H x 7,32"W x 5,22"D)
Gewicht:	1,0 kg (2.2 lbs.)

Änderungen an technischen Daten vorbehalten. Tivoli Audio behält sich das Recht vor, ohne vorherige Ankündigung Änderungen am Produkt vorzunehmen. Tivoli Audio, das Tivoli Audio-Logo, Albergo, Albergo+ und Albergo Speaker sind Warenzeichen von Tivoli Audio, LLC. Die *Bluetooth* Wortmarke und-Logos sind eingetragene Warenzeichen der Bluetooth SIG, Inc. und jede Verwendung dieser Marken durch die Tivoli Audio erfolgt unter Lizenz. iPod, iPod touch, iPhone, und iPad sind Marken der Apple Inc., die in den USA und weiteren Ländern eingetragen sind.



ALBERGO™ +

DAB/DAB+/DMB/FM Clock Radio

TABLE DES MATIÈRES

Précautions d'emploi	54
Introduction. A propos de Tivoli Audio.....	57
Réglages sur le dessus. Afficheur	57
Réglages à l'arrière.....	59
Télécommande.....	60
Menus en mode radio numérique, FM et auxiliaire	61
Comment régler le réveil	64
Options de réveil	64
Utilisation De <i>Bluetooth</i>	65
Réception FM RDS Placement. Entretien	66
Garantie.....	67
Caractéristiques	68




Ce symbole vous averti du risque de choc électrique pour l'utilisateur du fait de la présence à l'intérieur de l'appareil de courant électrique non isolé.



Ce symbole vous averti de l'existence d'importantes instructions d'utilisation et de maintenance dans le mode d'emploi joint à l'appareil.

Précautions D'emploi

1. Lisez ce mode d'emploi.
2. Conservez ce mode d'emploi.
3. Respectez toutes les mises en garde.
4. Suivez toutes les instructions.
5. **ATTENTION** - Danger d'explosion si les piles ne sont pas remplacées correctement. Ne remplacer qu'avec des piles identiques ou de type équivalent.
6. **AVERTISSEMENT:** Les piles ne doivent pas être exposées à une chaleur excessive comme par exemple aux rayons du soleil, au feu, ou autres éléments de ce genre.
7. **AVERTISSEMENT: NE PAS PORTER LA PILE À LA BOUCHE, DANGER DE BRÛLURE CHIMIQUE.** La télécommande fournie avec ce produit contient une pile bouton. Le fait d'avaler une pile bouton peut provoquer de sérieuses brûlures internes en seulement 2 heures et peut présenter un danger de mort. Ne pas laisser les piles neuves ou usagées à la portée des enfants. Si le compartiment batterie ne ferme pas de façon sûre, arrêtez d'utiliser le produit et gardez-le hors de portée des enfants. Si vous suspectez que des piles ont été avalées ou placées dans une quelconque cavité du corps, consultez un médecin immédiatement.
8. N'utilisez pas cet appareil près d'une source d'eau, telle qu'une baignoire, un sous-sol humide, ou une piscine. Attention: ne pas exposer cet appareil à la pluie ou au risque de moisissure.
9. Nettoyez votre appareil avec un chiffon doux, n'utilisez ni savon, ni produit aérosol.
10. Ne bloquez pas les ouvertures de ventilation. Suivez les recommandations d'installation.
11. Ne pas installer à proximité de sources de chaleur telles que des radiateurs, des bouches d'air chaud, des poêles, ou d'autres appareils qui dégagent de la chaleur (y compris des amplificateurs).
12. Ne pas compromettre la sécurité en modifiant la polarité ou la mise à la terre de la fiche. Une fiche polarisée comporte deux broches plates dont l'une est plus large que l'autre. Une fiche avec terre comporte deux broches plates avec une troisième broche pour la terre. La broche plate large ou la troisième broche est prévue pour votre sécurité. Si la fiche livrée avec votre appareil ne correspond pas à votre prise, consulter un électricien pour remplacer toute prise obsolète.

13. Éviter de marcher sur le câble d'alimentation ou de le pincer tout particulièrement au niveau des fiches, des prises de courant, et à l'endroit où il émerge de l'appareil.
14. N'utiliser que des équipements/accessoires spécifiés par le fabricant.
15. N'utiliser qu'avec le chariot, la station d'accueil, le trépied, le support ou la table spécifiée par le fabricant, ou vendu avec l'appareil. En cas d'utilisation d'un chariot, il y a lieu de faire preuve de prudence au moment de déplacer l'ensemble chariot/appareil pour éviter tout risque de blessure qui pourrait être occasionné par le renversement de celui-ci. 
16. Débranchez votre appareil en cas de risque de foudre ou pendant une absence prolongée de votre domicile.
17. Ne faire fonctionner ce produit qu'avec le type de source électrique spécifiée sur le panneau arrière. Pour les produits faisant appel à une alimentation externe, utiliser un équivalent exact pour le remplacement en cas de perte ou de dommage. Pour les produits fonctionnant avec des piles, consulter le manuel d'utilisation.
18. Débrancher ce produit du secteur et confier les interventions de service à un technicien qualifié dans les cas suivants:
 - a. Lorsque le cordon d'alimentation ou la fiche est endommagé.
 - b. Lorsque du liquide ou des objets ont pénétré dans le produit.
 - c. Si le produit ne fonctionne pas normalement lorsque toutes les instructions d'utilisation ont été observées.
 - d. En cas de chute ou si le produit à été endomagé d'une quelconque façon.
 - e. En cas de changement perceptible des perforations du produit.
19. Lorsque des pièces de rechange sont nécessaires, assurez-vous de votre technicien a utilisé des pièces de rechange spécifiées par le fabricant ou ayant les mêmes caractéristiques que la pièce d'origine. Des substitutions non autorisées peuvent causer un incendie, de choc électrique, ou d'autres dangers.
20. À la fin de tout service, demandez au technicien d'effectuer des contrôles de sécurité pour confirmer que le produit est en bon état de fonctionnement.
21. Si l'afficheur se brise et si du liquide en sort, évitez tout contact avec ce liquide.
22. Evitez la proximité d'une flamme nue telle qu'une bougie par exemple.
23. N'exposez pas cet appareil à des projections d'eau. Les objets contenant du liquide ne doivent pas être placés à proximité de votre appareil ou au dessus.
24. La température de fonctionnement de votre appareil est de 5 à 40° C.
25. **AVERTISSEMENT** - Les conduites ne sont pas déconnectés de la position d'arrêt, mais les circuits ne sont pas alimentés.
26. Le bloc d'alimentation externe permet de mettre l'appareil hors tension et doit donc rester facilement accessible



ATTENTION: L'ANTENNE DU ALBERGO+ NE DOIT PAS ÊTRE DÉTACHÉE



Cet appareil peut être recyclé. Les produits portant ce symbole ne doivent pas être jetés avec les ordures ménagères. En fin de vie, vous devez déposer votre appareil dans un point de collecte de produits électriques et électroniques. Pour plus d'informations, vous pouvez contacter votre revendeur ou l'agence locale de l'environnement.

La Directive européenne pour l'élimination des déchets d'équipements électriques et électroniques (DEEE) a été mise en application pour réduire de manière importante la quantité de déchets, et en diminuer l'impact écologique sur la planète et la santé. Agissez de manière responsable en recyclant les produits usagers. Si ce produit est toujours en état de fonctionnement, pensez à le vendre ou à le donner.

Albergo+: Instructions D'utilisation

Toutes nos félicitations pour avoir choisi le radio réveil Albergo+ de Tivoli Audio. Vous avez entre les mains le meilleur réveil radio numérique/ FM du marché, d'une qualité exceptionnelle de réception et de restitution sonore, et d'une simplicité d'utilisation remarquable. Nous comprenons votre impatience à utiliser votre nouvelle radio, mais afin de tirer le meilleur parti de votre nouvelle radio, prenez quelques minutes pour lire le mode d'emploi et les précautions d'emploi. Familiarisez-vous avec votre appareil. Si vous avez la moindre question, n'hésitez pas à contacter votre revendeur agréé Tivoli Audio ou à nous contacter directement.

Conserver votre emballage, il pourrait vous être utile si vous deviez retourner votre réveil radio au service technique.

Encore une fois « Merci d'avoir choisi Tivoli Audio », consommez sans modération votre radio Albergo+!

A Propos De Tivoli Audio

La marque Tivoli Audio a été créée par Tom DeVesto, avec la mission de mettre à la disposition des consommateurs des appareils de grande qualité audio, d'une utilisation simple et d'un design élégant. En qualité de Directeur Exécutif (CEO) et Directeur du département Recherche et Développement de sa précédente entreprise Cambridge SoundWorks*, Tom DeVesto a mis au point de très performants produits destinés aux marchés de la Haute Fidélité ou du Multimédia. Tom a également fait partie du comité de direction d'entreprises telles qu'Advent et Kloss Video.

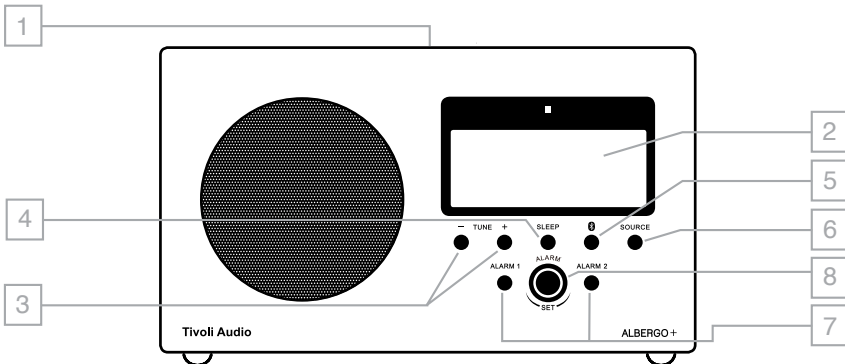
*Cambridge SoundWorks est une marque déposée de Creative Labs, Singapour.

Dans votre emballage de Albergo+ vous trouverez:


- Une alimentation externe
- Une télécommande (pile installée)

Si l'un quelconque de ces accessoires venait à manquer, contactez votre revendeur ou le distributeur Tivoli Audio.

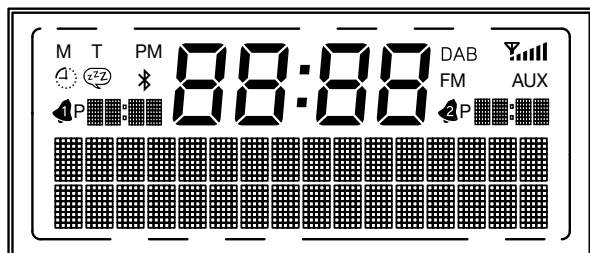
Reglages Du Dessus - Afficheur



1. **MOLETTE MULTI-FONCTION (Dessus):** De manière pratique, cette molette fait service de plusieurs fonctions:

- a. **Mise en route:** Appuyez au centre de la molette située au dessus de votre Al-bergo+, pour l'allumer. Procédez de la même manière pour l'éteindre lorsqu'il est allumé, quelle que soit la source sélectionnée.
- b. **Volume:** Tournez le bouton dans le sens des aiguilles de la montre pour augmenter le volume et dans le sens inverse pour le diminuer.
- c. **Snooze (rappel):** Lors du déclenchement du réveil, une pression enclenchera le rappel. L'icône  apparaît dans l'afficheur lorsque la fonction rappel est enclenchée. La temporisation du rappel est fixée à 10 minutes. Si la fonction rappel est toujours enclenchée, une nouvelle pression sur ce bouton réinitialisera le temporisateur, et une nouvelle pause de 10 minutes s'ensuivra. Pour arrêter le réveil lorsqu'il sonne et éteindre l'appareil, appuyez de manière prolongée au centre de la molette, ou appuyez sur le bouton de réveil correspondant.


2. AFFICHEUR:




88:88 : (Chiffres): Heure


AUX: Entrée auxiliaire

FM: FM (Modulation fréquences)

 : Durée avant extinction (Sleep)

 : Niveau du signal

 : Mode *Bluetooth*

 : Temps avant rappel (Snooze)



DAB: DAB/DAB+/DMB

M: Mono

 : Réveils 1 & 2

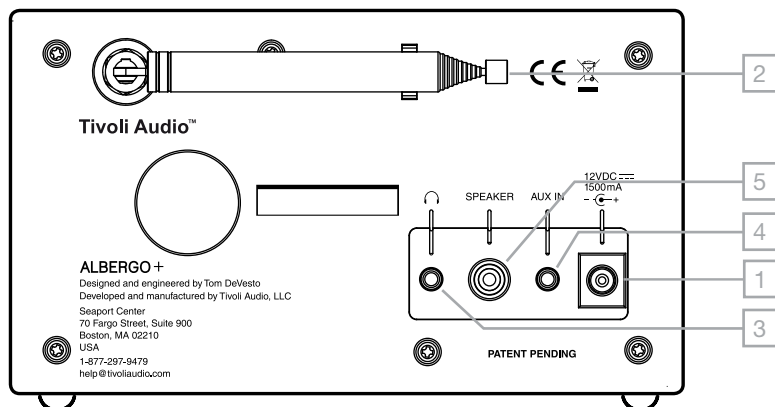
PM: lorsque le format 12 heures est sélectionné

T: Réglage manuel fréquences

3. **TUNE +/-:** En mode DAB, utilisez ces boutons pour faire apparaître toutes les stations DAB/DAB+ disponibles. Appuyez sur les boutons +/- pour sélectionner la station de votre choix. Attendez 3 secondes et la diffusion commencera automatiquement, ou alors appuyez sur le bouton « Enter » de la télécommande. FM: Appuyez brièvement sur les boutons de syntonisation Tune +/- pour avancer jusqu'à la station suivante détectée par la recherche automatique Auto Scan. Voir « Auto Scan » (recherche automatique) sous le menu FM « FM Menu » pour la procédure de désactivation du dispositif Auto Scan et procéder à la syntonisation manuelle des stations.
4. **SLEEP:** Appuyez de façon répétée sur ce bouton pour définir la durée durant laquelle le radio restera allumée avant son extinction automatique. Sinon, appuyez sur le bouton « Select » de la télécommande pour sélectionner cette durée. Lorsque la fonction Tempo est active, une icône de montre  s'affiche. Pour annuler cette fonction appuyez plusieurs fois sur la touche "Sleep" jusqu'à afficher <Sleep off> et validez avec "Select".
5.  **BLUETOOTH:** Appuyez sur cette touche pour activer le mode *Bluetooth*. Reportez-vous à la section « Utilisation de *Bluetooth* » pour en savoir plus. Appuyez le bouton *Bluetooth* et maintenez-le enfoncé pour effacer de la mémoire tous les périphériques appariés. « Memory cleared » (mémoire effacée) s'inscrit sur l'affichage.

6. **SOURCE:** Pressez pour choisir la source.
7. **1 2 ALARM 1 AND 2 (RÉVEILS 1 ET 2):** Appuyez sur l'une de ces deux touches pour régler les réveils qui leur sont associés. Ils seront automatiquement activés.
8. **MOLETTE DE RÉGLAGE DU RÉVEIL :** Après avoir pressé l'une des deux touches de réveil, faites tourner cette molette pour régler l'heure, puis appuyez dessus pour confirmer. Procédez de même pour les minutes et appuyez sur la molette quand vous avez terminé (sans cela, l'heure du réveil sera automatiquement validée après 3 secondes). Votre réveil sera alors activé. L'heure de chaque réveil sera indiquée sur l'afficheur. Appuyez à nouveau sur le bouton de réveil pour annuler le réveil qui lui est associé. **Veillez également consulter la section « Comment régler le réveil à partir du menu principal » pour d'autres réglages très importants concernant le réveil.**

Description Des Contrôles (Situés À L'arrière)




1. **12VDC/1500mA:** Utilisez ce connecteur pour brancher l'alimentation fournie avec votre Albergo+, soit pour le faire fonctionner sur secteur. **N'utilisez aucune autre alimentation que celle fournie avec votre appareil.** En cas de perte ou de dommage, vous devez impérativement remplacer votre alimentation par une alimentation originale à l'identique de marque Tivoli Audio. Vous devez respecter les normes de sécurité de votre pays et en Europe une alimentation conforme à la EN/IEC 60065 (12V CC 1500mA et 230V 50Hz). L'utilisation d'une alimentation autre que celle d'origine est dangereuse. Le contact doit être positif au centre 5,5 mm / 2,1 mm. Il est normal que l'alimentation chauffe pendant l'utilisation.
2. **ANTENNE EXTERNE 75 OHM « F » :** Une antenne télescopique FM est raccordée à cette entrée. Pour plus d'information reportez vous à la rubrique "Digital Radio/FM Réception".
3. **Casque:** Raccordez un casque (non fourni) sur cette sortie stéréo contrôlée. Le raccordement du casque coupe automatiquement le haut parleur principal. Le niveau d'écoute se règle par le bouton Volume du poste ou de la télécommande. La commande "Mono" de la télécommande affecte également cette sortie. La connexion se fait par l'intermédiaire d'un mini jack stéréo 3,5 mm. Ecoutez à un niveau raisonnable.
4. **AUX IN:** Pour écouter une source audio externe, telle qu'un lecteur CD ou MP3, un ordinateur, un iPod ou un iPhone, raccordez la sortie casque de la source sur cette entrée par l'intermédiaire d'un câble équipé d'un mini jack stéréo 3,5 mm. **Remarque: Les niveaux de cette entrée auxiliaire et de la radio peuvent être tout à fait différents.**

- Speaker:** Raccordez la prise RCA mâle du câble de l'enceinte complémentaire Alberg Stereo Speaker. Grâce au contrôle sur la télécommande, assurez vous d'avoir sélectionné la fonction "stéréo". Contrôlez sur l'afficheur la présence du sigle "ST" indiquant stéréo et non "M" pour mono.

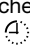
Description Des Fonctions De La Télécommande

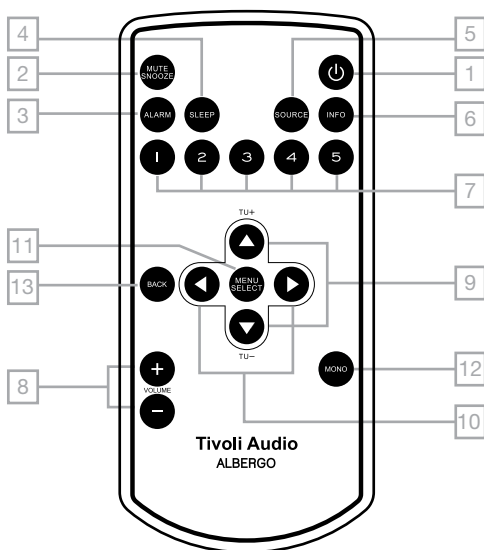
1. MISE SOUS TENSION:

Appuyez sur cette touche pour allumer votre Alberg+. La radio s'allumera sur la dernière source écoutée. Appuyez à nouveau pour éteindre.

- MUTE/SNOOZE:** Appuyez pour passer en mode silence (Mute) pendant l'écoute, les barres après l'icône disparaîtront. En appuyant sur cette touche ou en ajustant le volume, vous sortirez du mode silence. Lorsque le réveil se déclenche, appuyez sur cette touche pour déclencher une pause de 10 minutes. Le réveil se re-déclenchera après. Un  icône apparait dans l'afficheur lorsque la fonction rappel est enclenchée. La

durée de rappel n'est pas réglable. Si la fonction rappel est toujours enclenchée, une nouvelle pression sur ce bouton réinitialisera le temporisateur, et une nouvelle pause de 10 minutes s'ensuivra.

- ALARM (Réveil):** Utilisez les touches ▲▼ et Select pour régler les réveils. **Veillez également consulter la section « Comment régler le réveil à partir du menu principal » pour d'autres réglages très importants concernant le réveil.**
- SLEEP (Tempo):** Appuyez plusieurs fois sur cette touche pour visualiser le temps d'écoute avant extinction de votre radio et utilisez la touche "Select" pour valider. Lorsque la fonction Tempo est active, une icône de montre  s'affiche. Pour annuler cette fonction appuyez plusieurs fois sur la touche "Sleep" jusqu'à afficher <Sleep off> et validez avec "Select".
- SOURCE:** Pressez pour choisir la source.
- INFO:** Appuyez plusieurs fois pour afficher les différentes informations disponibles.
- MEMOIRES 1-5:** Appuyez sur un bouton et maintenez pour enregistrer la station en écoute. Un appui bref sur une de ces touches rappelle la mémoire correspondante. En FM, la fréquence et le numéro de la mémoire s'affichent sur l'écran. Vous disposez de 5 mémoires en FM et 5 en RNT.
- VOLUME +/-:** Appuyez sur + pour augmenter le volume et sur - pour le baisser. Si le son est entaché de distorsion, diminuez le volume pour éviter d'endommager le haut-parleur. En réglant le volume pendant que le Alberg+ est en mode silence, celui-ci sera annulé.



9. **▲▼/TUNE +/-**: Utilisez ces touches pour sélectionner une option lorsque vous êtes dans le menu. En mode DAB, utilisez ces boutons pour faire apparaître toutes les stations DAB/DAB+ disponibles. Appuyez sur les boutons **▲▼** pour sélectionner la station de votre choix. Attendez 3 secondes et la diffusion commencera automatiquement, ou alors appuyez sur le bouton « Enter » de la télécommande. FM: Appuyez brièvement sur les boutons de syntonisation Tune +/- pour avancer jusqu'à la station suivante détectée par la recherche automatique Auto Scan. Voir « Auto Scan » (recherche automatique) sous le menu FM « FM Menu » pour la procédure de désactivation du dispositif Auto Scan et procéder à la syntonisation manuelle des stations.
10. **◀▶**: Utilisez pour naviguer dans le menu. La flèche droite duplique la touche "Menu/Select". Dans certains menus la flèche gauche permet de revenir à la rubrique précédente.
11. **MENU/SELECT**: Appuyez pour rentrer dans le menu et faire les sélections. Pour plus d'information, consultez les sections « Menu DAB », « Menu FM » et « Menu auxiliaire ».
12. **MONO**: Appuyez sur cette touche pour sélectionner Mono ou Stéréo. L'indication "M" ou "ST" apparaît. Ce réglage affecte également la sortie casque. Pour plus d'information, reportez vous à la rubrique "Digital Radio/FM Réception".
13. **BACK**: Cette touche vous permet de revenir en arrière.

Remarque: Lorsque l'Albergo est en mode veille, vous pouvez contrôler le rétro-éclairage de l'affichage sans avoir à mettre en marche l'Albergo+ et accéder au menu. Appuyez deux fois sur le bouton **▲** de la télécommande pour éteindre le rétro-éclairage. Appuyez sur le bouton **▲** de la télécommande pour allumer le rétro-éclairage pendant 10 secondes. Appuyez encore deux fois sur le bouton **▲** de la télécommande pour rétablir le rétro-éclairage.

Menu du mode radio numérique (DAB/DAB+)

En mode DAB, appuyez de façon prolongée sur la touche « Menu » de la télécommande pour entrer dans le menu principal. Utilisez les touches **▲▼** et Select pour changer de rubrique. Utilisez la touche Back pour revenir.

Un astérisque (*) indique que l'option affichée a été sélectionnée.

Remarque: Si la liste de stations est vide lorsque vous activez le mode radio numérique, un balayage automatique des stations démarrera.

Remarque: Sans action de votre part, le menu principal se fermera automatiquement après 9 secondes.

1. **RECHERCHE AUTOMATIQUE:** Recherche toutes les stations disponibles. Si vous déplacez le Albergo+, vous devrez relancer une recherche automatique pour mettre à jour la liste des stations disponibles. Pour annuler la recherche automatique, appuyez sur Back.
2. **TIVOLI EQ:** Ceci vous permet de régler la tonalité de votre appareil. Avec les flèches **▲▼** et la touche Select, vous pouvez régler comme vous le souhaitez les basses et les aiguës. Ces réglages se trouvent sous <User EQ>. Sur le menu approprié, avec la touche "Select" vous pourrez mettre en fonction <On> ou supprimer <Off> l'accentuation <Contour> (Loudness). L'accentuation <Contour> est recommandée afin d'avoir un équilibre tonal plus naturel en écoute à faible niveau. Utilisez **▲▼** et Select pour utiliser les courbes d'égalisation pré-enregistrées, ces réglages se substituent aux réglages Graves et Aiguës personnalisés, par contre le réglage <Contour> n'est pas affecté. Le choix <Plat> rétablit les réglages d'usine, c'est-à-dire les Graves et Aiguës à 0 et Contour désactivé (Off). En sélectionnant <User EQ> vous retrouverez vos réglages personnels. Dans le menu EQ Tivoli, le chiffre de gauche indique le réglage des Graves et le chiffre de droite celui des Aiguës.

3. **RECHERCHE MANUELLE:** Utilisez les touches ▲▼ pour afficher la fréquence station spécifique et utilisez la touche Select pour l'écouter. Attendez 3 secondes et la diffusion commencera automatiquement, ou alors appuyez sur le bouton « Enter » de la télécommande.
4. **DRC:** Contrôle de la dynamique vous permet de compresser le signal de certaines stations afin de pouvoir les écouter à faible niveau ou pour limiter le bruit de fond dans les passages faibles.
5. **REGLAGES (A-F):**
 - A. **RÉVEIL:** Consultez la section « Comment régler le réveil à partir du menu principal ».
 - B. **HEURE**

Heure/Date: Appuyez sur Select et utilisez les flèches ▲▼ pour régler l'heure puis les minutes. Vous devez également désactiver la mise à jour automatique en sélectionnant « No update ». Pour en savoir plus, reportez-vous à la section « MAJ Auto » ci-dessous.

MAJ Auto: Mise à jour automatique. Appuyez sur Select et utilisez les flèches ▲▼ pour choisir le mode de mise à jour "Update from any", "Update from DAB", ou "Update from FM" (RDS). Pour que cette mise à jour ait lieu, il faut disposer de la réception d'un signal FM RDS ou RNT porteur de l'information d'heure et de date. Cette mise à jour peut prendre plusieurs minutes avant d'être effective. Tivoli Audio ne saurait être tenu responsable d'une mise à jour non exacte due à l'information reçue d'une station. Pour régler l'heure manuellement, choisissez "No Update", puis sélectionnez "Set Time/Date" dans le menu "Time" et en utilisant les touches ▲▼ ou ◀▶ pour régler l'heure et la date.

12h/24h: Appuyez sur Select et utilisez les flèches ▲▼ pour choisir le format 12h ou 24h.

Format Date: Appuyez sur Select et utilisez les flèches ▲▼ et la touche Select pour choisir le format souhaité.
 - C. **BACKLIGHT (ECLAIRAGE):**

Timeout: L'éclairage de l'afficheur peut être constant que vous effectuez ou non des commandes (tel est le réglage d'usine). Vous pouvez programmer une atténuation de l'éclairage après une temporisation choisie. Toute commande sur l'appareil ou la télécommande réactive l'éclairage. Appuyez sur Select et utilisez les flèches ▲▼ et la touche Select pour régler la temporisation 10, 20, 30, 45, 60, 90, 120 ou 180 secondes, ou Off pour désactiver l'atténuation de l'éclairage.

Eclairage Fort: Appuyez sur Select et utilisez les flèches ▲▼ et la touche Select pour régler l'éclairage fort.

Eclairage Faible: Si vous avez choisi une temporisation pour l'atténuation de l'éclairage, appuyez sur Select et utilisez les flèches ▲▼ pour régler l'éclairage atténué.
 - D. **LANGUE:** Appuyez sur Select et utilisez les flèches ▲▼ et la touche Select pour choisir la langue.
 - E. **RÉGLAGE USINE:** Appuyez sur Select et utilisez les flèches ▲▼ ou ◀▶ et la touche Select pour confirmer par <Oui> ou <Non> le retour aux réglages d'origine. Un retour au réglage usine efface tous les réglages personnels tels que le choix de langue ou les mémoires. Voir aussi la section "Radio Numérique/ Réception FM".
 - F. **ID:** Appuyez sur Select pour afficher les informations concernant la version logiciel de votre radio. Cette information peut vous être demandée en cas d'appel au service technique.

Menu du mode FM

En mode FM, appuyez de façon prolongée sur la touche « Menu/Select » de la télécommande pour entrer dans le menu principal. Utilisez les touches ▲▼ et Select pour changer de rubrique. Utilisez la touche Back pour revenir. Un astérisque (*) indique que l'option affichée a été sélectionnée.

Remarque: Sans action de votre part, le menu principal se fermera automatiquement après 9 secondes.

1. **RÉGLAGE SCAN:** Appuyez sur « Menu » et utilisez ▲▼ et Select pour choisir entre « Strong stations only » et « All stations » lors de la recherche automatique (Consultez le paragraphe 9 (▲▼/Tune +/-) de la section « Télécommande »). Le choix « All stations » accroît la sensibilité et peut générer l'arrêt en recherche sur un bruit inter-station.
2. **RECHERCHE AUTOMATIQUE (PAS DANS LE MENU AUX):** Appuyez sur le bouton de sélection « Select » et à l'aide de ▲▼ et des boutons « Select » choisissez entre les station à signal fort seulement « Strong stations only », toutes les stations « All stations », ou arrêt « Off » lorsque vous invoquez la recherche automatique auto-scan (voir le Point #9 - Syntonisation (Tune +/-) sous « Télécommande »). Choisir toutes les stations « All stations » augmente la sensibilité de la détection, ce qui peut avoir pour conséquence que le dispositif de recherche automatique s'arrête sur une source de bruit. Choisir « Off » désactive la recherche automatique « Auto Scan » et permet de rechercher les stations manuellement.
3. **RDS:** Appuyez sur la touche « Select » puis, à l'aide des touches , choisissez l'une des options : « Enabling » (activer le texte RDS FM) ou « Disabling » (le désactiver). Validez votre choix en appuyant sur « Select ». Pour en savoir plus, consultez la section « RDS ».
4. **TIVOLI EQ:** Reportez-vous à la description correspondante dans la section « Menu du mode radio numérique ».
5. **RÉGLAGES:** Reportez-vous à la description correspondante dans la section « Menu du mode radio numérique ».

Menu du mode auxiliaire

En mode auxiliaire, appuyez de façon prolongée sur la touche « Menu/Select » de la télécommande pour entrer dans le menu principal. Utilisez les touches ▲▼ et Select pour changer de rubrique. Utilisez la touche Back pour revenir. Un astérisque (*) indique que l'option affichée a été sélectionnée.

Remarque: Sans action de votre part, le menu principal se fermera automatiquement après 9 secondes.

1. **TIVOLI EQ:** Reportez-vous à la description correspondante dans la section « Menu du mode radio numérique ».
2. **ALARM 2:** Si vous n'avez pas l'intention d'utiliser cette fonction, ou si vous craignez de la mettre en route par erreur, vous pouvez la désactiver en appuyant sur la touche « Select » puis en utilisant les touches ▲▼ . Validez en appuyant à nouveau sur « Select ».
3. **REGLAGES:** Reportez-vous à la description correspondante dans la section « Menu du mode radio numérique ».
4. **LIMITE DU VOLUME :** Si vous désirez diminuer le niveau de volume maximal afin de ne pas déranger les personnes autour de vous, appuyez sur la touche « Select ». Sélectionnez ensuite la limite de volume de votre choix (26 ou 22) à l'aide des touches ▲▼ . Validez en appuyant à nouveau sur « Select ». Si l'option « off » est sélectionnée, le volume maximal est réglé par défaut sur 30. Remarque : lorsque l'on diminue le niveau de volume général, le niveau de volume de la sonnerie du réveil diminue aussi.

5. **NIVEAU BLUETOOTH:** Niveau *Bluetooth* : À l'aide de la flèche ▲▼ et des boutons Select sélectionnez « Low » si vous souhaitez réduire la portée du signal *Bluetooth*. Cela peut être souhaitable si la fonction *Bluetooth* ne sera utilisée que lorsque vous vous trouvez dans la proximité immédiate de la radio. Nous recommandons de garder ce paramètre sur la position « Normal ».

Comment régler le réveil à partir du menu principal

1. Lorsque votre Albergo+ est allumé, vous pouvez accéder aux réglages du réveil depuis le menu principal, quel que soit le mode sélectionné (DAB, FM ou Aux). Commencez par presser la touche « Menu » de votre télécommande en la maintenant enfoncée. Une fois le menu affiché, sélectionnez « Settings » (réglages) puis « Alarm » (réveil).
2. <Alarm 1> est le 1er réglage qui apparaît. Appuyez à nouveau sur Alarm ou utilisez les touches ▲▼ et Select pour choisir Réveil 1 ou Réveil 2. Remarque: vous naviguez dans le menu Réveil avec les touches Back ou et Select ou ◀▶.
3. Utilisez les touches ▲▼ pour mettre en fonction le réveil.
4. Utilisez les touches ▲▼ pour régler l'heure, puis pressez Select. Répétez la même opération pour les minutes, ainsi que la mention AM/PM si vous utilisez le format 12h.
5. Utilisez les touches ▲▼ pour choisir la source que vous souhaitez utiliser, puis pressez Select. Si vous choisissez la RNT ou la FM, utilisez Tune +/- pour choisir une station en mémoire ou la dernière station écoutée, puis pressez Select.
6. Utilisez les touches ▲▼ pour régler le type de réveil que vous souhaitez et pressez Select.
7. Enfin utilisez les touches ▲▼ pour régler le volume et pressez Select. Pour assurer la présence de son lorsque l'alarme se déclenche, le niveau du volume de l'alarme ne peut pas être réglé en-dessous d'un niveau minimum. Aussi, si elle est activée, la fonction « Volume Limit » (limite de volume) dans le menu auxiliaire « Auxiliary Menu » aura une incidence sur le volume de l'alarme.
8. Répétez cette procédure pour le Réveil 2, si vous le désirez.

Si vous vous êtes trompés à une quelconque étape, utilisez la flèche gauche ◀ pour revenir en arrière et recommencer.

Remarque: Vos réglages ne seront sauvegardés que si vous avez été au bout du processus de réglage du réveil et qu'est apparue sur l'afficheur l'inscription <Réveil réglé>.

Remarque: Si vous avez choisi la source DAB pour le réveil et que la dernière station écoutée ou programmée n'est pas disponible au moment où le réveil doit sonner, la sonnerie par défaut retentira à sa place.

Coupage de Courant: Si le courant est coupé les réglages de réveil seront sauvegardés mais le réveil ne fonctionnera pas.

Options Reveil

Au moment d'un réveil, le volume augmentera progressivement. Quand un réveil s'active, vous pouvez soit enclencher la répétition, soit arrêter le réveil.

Snooze (Répétition): Pour activer la répétition du réveil, appuyez sur le bouton Snooze de la télécommande lorsque le réveil se déclenche ou brièvement au centre de la molette multi-fonctions. Le délai de la fonction Répétition n'est pas ajustable. Si la fonction rappel est toujours enclenchée, une nouvelle pression sur ce bouton réinitialisera le temporisateur, et une nouvelle pause de 10 minutes s'ensuivra. Pour arrêter le réveil lorsqu'il sonne et éteindre l'appareil, appuyez de manière prolongée au centre de la molette, ou appuyez sur le bouton de réveil correspondant.

Couper le Réveil: Pour couper le réveil lorsqu'il se met en fonction: appuyez sur Alarm ou Power de la télécommande ou de manière prolongée au centre de la molette au dessus du Albergo+.

Activation rapide: La radio étant en veille, un appui bref répété sur Alarm vous permettra d'activer ou de désactiver l'un ou l'autre des réveils ou les deux.

Utilisation De Bluetooth

Avant de chercher à vous connecter, vérifiez la compatibilité de votre appareil avec la technique *Bluetooth 2.1+EDR A2DP*. Assurez-vous que votre appareil n'est pas déjà couplé à un autre accessoire *Bluetooth*. Selon les appareils, le mode d'appairage peut varier.

1. Appuyez sur le bouton « *Bluetooth* » situé sur le panneau avant de votre Albergo+, ou sélectionnez *Bluetooth* en tant que source Ceci activera le *Bluetooth*. Réglez le volume à ¼ au début. Veillez également à augmenter le volume de votre périphérique source (le périphérique à partir duquel vous transmettez).
2. Activez le *Bluetooth* sur votre appareil.
3. Sélectionnez « *Tivoli Bluetooth (non connecté)* » lorsqu'il apparaît sur l'écran de votre appareil afin de démarrer la recherche. Si votre appareil vous demande une clé de connexion, tapez « 0000 ». L'indication devant *Tivoli Bluetooth* passera de « Non connecté » à « Connecté ».
4. La connexion sera confirmée par l'émission d'un bip sonore au niveau du Albergo+. Vous pouvez maintenant envoyer « sans fil » vos fichiers musicaux. Ajustez le niveau sonore de votre appareil. Vous ne devriez pas avoir à effectuer de nouveau cette procédure pour retrouver la connexion. **Selon le modèle de votre périphérique, il se peut qu'il soit nécessaire de faire plusieurs tentatives d'Appairage et/ou de Connexion au Albergo+ ; veillez cependant à laisser suffisamment de temps à votre périphérique pour l'Appairage ou la Connexion avant de répéter l'opération.**

Couplage D'un iPhone, iPad Ou iPod Touch En Bluetooth

1. Appuyez sur le bouton « *Bluetooth* » situé sur le panneau avant de votre Albergo+, ou sélectionnez *Bluetooth* en tant que source Ceci activera le *Bluetooth*. Ceci activera le *Bluetooth*. Réglez le volume à ¼ au début. Veillez également à augmenter le volume de votre périphérique source (le périphérique à partir duquel vous transmettez).
2. Sélectionnez « Réglages » (selon la version du logiciel de votre appareil).
3. Sélectionnez « Général ».
4. Sélectionnez « *Bluetooth* ».
5. Commutez le réglage sur « Activé » pour démarrer la recherche.
6. Choisissez « *Tivoli Bluetooth (non connecté)* » sur l'écran. Si l'entrée d'un PIN est requis, entrez « 0000 ». « Connecté » s'affichera en face de « *Tivoli Bluetooth* ».
7. La connexion sera confirmée par l'émission d'un bip sonore au niveau du Albergo+. Vous pouvez maintenant envoyer « sans fil » vos fichiers musicaux. Ajustez le niveau sonore de votre appareil. Vous ne devriez pas avoir à effectuer de nouveau cette procédure pour retrouver la connexion iPhone, iPod ou iPad.

Le niveau sonore des fichiers musicaux peuvent être très différents. En fonction de vos préférences, modifiez les réglages de votre iPhone, iPod ou iPad : Réglez Egaliseur de volume « off », Egaliseur « désactivé » et Volume maximum « non ».

Si vous rencontrez des difficultés de connexion, dans le menu *Bluetooth*, utilisez la flèche à droite de « *Tivoli Bluetooth* » pour accéder à l'écran suivant et « Oublier cet appareil »,

puis recommencez la procédure de couplage. **Selon le modèle de votre périphérique, il se peut qu'il soit nécessaire de faire plusieurs tentatives d'Appairage et/ou de Connexion au Albergo+; veuillez cependant à laisser suffisamment de temps à votre périphérique pour l'Appairage ou la Connexion avant de répéter l'opération.**

Pendant l'écoute de musique sur votre iPhone, iPod ou iPad, vous pouvez utiliser la flèche à droite de la touche « next » de votre écran pour alterner l'écoute entre votre appareil et le *Bluetooth*.

REMARQUE:

- Le Albergo+ garde en mémoire le couplage de 8 appareils. Si vous tentez de coupler un appareil complémentaire, il viendra remplacer l'appareil le moins utilisé.
- En cas de problème de connexion, par exemple des drop-outs ou arrêts, rapprochez votre appareil source du Albergo+ et assurez vous qu'aucun autre appareil sans fil n'est présent à proximité et pourrait générer des interférences.
- Lorsque vous basculez de l'écoute de la radio au signal *Bluetooth*, il vous faudra peut-être ajuster le niveau.

Radio Numérique/Réception FM

L'antenne FM télescopique livrée avec le Albergo+ offre une très bonne réception. Dans le cas où le signal FM serait très fort, le fait de replier l'antenne peut améliorer la qualité de réception.

Si vous utilisez le Albergo+ en stéréo avec l'enceinte optionnelle Albergo+, et que l'écoute de la station est entachée de bruit de fond, le passage en Mono peut rendre l'écoute plus silencieuse et audible. Lorsque vous êtes en Mono, un M s'inscrit dans l'afficheur et un ST en stéréo. Cette information est également donnée lorsque l'on active la fonction Info à partir de la télécommande.

Les bâtiments en béton, en acier ou en aluminium perturbent la propagation des ondes. Les appareils électroménagers, les ordinateurs, les lecteurs CD, les routeurs Wifi et de nombreux autres appareils électroniques peuvent affecter la réception et/ou générer des parasites. Si vous rencontrez ce type de problèmes, essayez de déplacer votre radio et de changer de prise électrique pour l'alimentation.

Remarque: Si vous emportez votre Albergo+ dans un nouvel endroit, il est possible que les stations DAB disponibles ne soient plus les mêmes. Il est alors recommandé de réinitialiser l'appareil afin de démarrer un nouveau balayage qui mettra à jour la liste des stations.

Messages en RNT

Service Associés: La disponibilité de services associés est signalée par le symbole >> affiché après le nom de la station. Les services associés ne sont pas forcément disponibles dans toutes les régions.

<?>: Ce symbole indique que la station n'émet pas.

“Not Available”: Indique que le signal de la station DAB est trop faible.

RDS (en FM Uniquement)

Le RDS (Radio Data System) transmet en même temps que le signal audio, du texte et des informations. Toutes les stations de radio FM ne transmettent pas nécessairement des informations RDS. Si le signal RDS est trop faible, le texte affiché peut être entaché d'erreurs. Vous pouvez essayer d'améliorer ceci en déplaçant l'antenne. La nature des informations RDS est déterminée par la station de radio.

Positionnement

Placez votre Albergo+ sur une surface plate et stable. Pour une ventilation correcte et une bonne reproduction des basses, évitez d'obstruer l'évent arrière. Le Albergo+ n'est pas magnétiquement blindé et doit en conséquence être positionné au minimum à 127 mm d'un ordinateur ou d'un téléviseur. Le positionnement dans une bibliothèque, un meuble ou près d'un mur peut augmenter les basses et rendre le son désagréable.

Entretien

N'utilisez jamais de produit ou de chiffon corrosif. Le revêtement est très sensible aux produits de nettoyage.

Garantie

Tivoli Audio fabrique des produits de très grande qualité et nous vous assurons que nos produits fonctionneront correctement. Si nécessaire, nous offrons à l'acquéreur initial une garantie limitée sur ce produit contre les défauts de fabrication au niveau des matériaux et de la main d'œuvre. Cette garantie est non transférable.

Les produits achetés dans l'Union européenne et en Norvège sont sous couvert d'une garantie minimale de deux ans. Pour les pays où la garantie minimale est déterminée par la loi, les termes de la garantie sont applicables selon la période légale requise. Pour tout autre emplacement géographique, la garantie dure un an.

Cette garantie limitée couvre le fonctionnement du produit dans le cadre d'une utilisation normale telle que celle prévue par le manuel de l'utilisateur. Elle ne couvre pas les dysfonctionnements ou les dommages provenant d'une mauvaise utilisation ou installation, de l'utilisation du chargeur pour recharger les piles alcalines, d'équipements auxiliaires défectueux, d'une réparation non autorisée, de dégâts ou d'une perte lors du transport du produit, d'une détérioration, d'une utilisation avec une tension/un courant non adapté, d'une surtension, de la foudre ou autre cas de force majeure, d'une humidité excessive, d'un degré d'usure normal, d'une utilisation commerciale ou d'un achat à des revendeurs non autorisés. Il peut être nécessaire de fournir une preuve d'achat indiquant que le produit a bien été acquis chez un revendeur certifié pour bénéficier de la garantie.

Veuillez contacter le point de vente ou le distributeur local pour tout service ou toute réparation couverte par la garantie.

Veuillez éviter d'ouvrir ce produit ou d'en détacher les composants sous peine d'annuler la garantie limitée. Les composants internes de produit ne sont pas réparables par l'utilisateur. Tivoli Audio ne prendra pas à sa charge les frais induits en cas de correction d'un problème de réception, pour l'élimination du bruit/bruit de fond, de retard, de gêne, de perte fonctionnelle du produit, ou de dommage causé par une mauvaise utilisation du produit.

Si le produit devait être renvoyé au cours de la période de garantie et que cette dernière couvre la maintenance nécessaire, nous réparerons ou remplacerons toute pièce défectueuse dans des délais raisonnables et sans frais.

CETTE GARANTIE LIMITÉE VOUS CONFÈRE DES DROITS LÉGAUX SPÉCIFIQUES SUJETS À DES CONDITIONS DÉFINIES. D'AUTRES DROITS LÉGAUX S'APPLIQUANT AU PRODUIT QUE VOUS AVEZ ACHETÉ PEUVENT ÉGALEMENT VOUS ÊTRE CONFÉRÉS. CES DROITS LÉGAUX VARIENT D'UN PAYS À L'AUTRE. CERTAINS PAYS INTERDISENT L'EXCLUSION, LA RESTRICTION OU LA MODIFICATION DE CERTAINS DROITS TACITES OU DE LEURS EFFETS. DANS CE CAS, CETTE GARANTIE LIMITÉE NE S'APPLIQUERA QUE DANS LA MESURE OÙ LA LOI APPLICABLE LE PERMET.

Les lois de votre pays peuvent vous permettre d'exercer une réclamation légale contre le vendeur ou le fabricant de ce produit. Cette garantie limitée n'affecte en rien ces droits.

Les dispositions légales de cette garantie limitée prévalent sur les autres garanties ou conditions, exception faite de celles prévues par la loi. Cette garantie limitée n'affecte aucun droit légal qui vous est conféré par la loi et ne constitue aucun obstacle aux actions légales auxquelles vous pouvez recourir.

Dans les pays où la limite de responsabilité n'est pas affectée par la loi, la responsabilité maximale de Tivoli Audio ne dépasse pas le prix de vente de ce produit. Dans les pays où la limite de responsabilité est affectée par la loi, Tivoli Audio ne peut être tenu responsable que dans les cas de dommages directs à la personne et/ou à la propriété personnelle réelle provenant d'une négligence de Tivoli Audio.

Si la loi ne l'interdit pas, Tivoli Audio ne saurait être reconnu responsable en cas de dommages spéciaux, accessoires, accidentels ou indirects. Certaines zones géographiques n'autorisent pas la limite sur l'exclusion ou la limitation des dommages spéciaux, accessoires, accidentels ou indirects, ou la limite de responsabilité relative aux quantités définies. Le cas échéant, les limites ou exclusions précédemment mentionnées ne s'appliquent pas à votre cas.

Cette garantie limitée est annulée si l'étiquette où figure de numéro de série a été retirée ou abîmée.

Si vous avez acquis auprès de votre point de vente un contrat de maintenance prolongé et qu'une maintenance est nécessaire une fois la période de garantie terminée, veuillez contacter le fournisseur de votre contrat de maintenance prolongé pour pouvoir en bénéficier.

Caractéristiques

Modèle:	Tivoli Audio Albergo+
Type:	Radio réveil RNT (DAB/DAB+/DMB) et FM avec technologie sans fil <i>Bluetooth</i>
Haut-parleur:	76,2mm (3") d'attaque pleine gamme
Gamme de réception:	FM: 87,5 – 108 MHz DAB (Bande III) DAB+/DMB: 174 – 240 MHz (Les plages de réception varient selon les régions)
Alimentation:	12VDC nominal – 15VDC maximum, 1500mA
Alimentation:	Tivoli Audio 1.5A- CE
Désaccentuation:	50uSec or 75uSec (selon votre région)
Dimensions (l x h x p):	110 mm H x 186 mm W x 129 mm D (4,34"H x 7,32"W x 5,22"D)
Poids:	1,0 kg (2,2 lbs.)

Tivoli Audio se réserve le droit de modifier ses produits sans préavis. Tivoli Audio, les logos Tivoli Audio, Albergo, Albergo+ et Albergo Speaker sont des marques déposées, propriétés de Tivoli Audio LLC. Produits et design protégés par des brevets. La marque *Bluetooth* et les logos sont des marques déposées appartenant à Bluetooth SIG, Inc et toute utilisation de ces marques par Tivoli Audio est sous licence. iPod, iPod touch, iPhone, et iPad sont des marques d'Apple Inc. déposées aux États-Unis et dans d'autres pays.

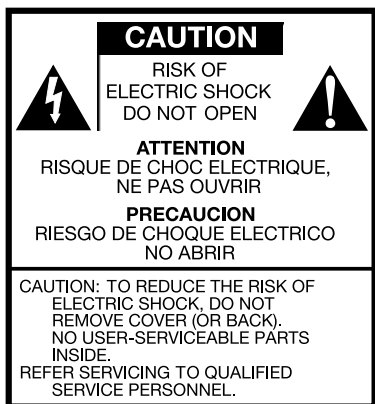


ALBERGO™ +

DAB/DAB+/DMB/FM Clock Radio

INDICE

Importanti Istruzioni Di Sicurezza.....	70
Istruzioni Albergo+; A Proposito Di Tivoli Audio.....	73
Guida Alle Caratteristiche (Pannello Anteriore)	73
Guida Alle Caratteristiche (Pannello Posteriore).....	75
Telecomando	76
Menu Digital Radio / FM / Auxiliary	77
Come impostare l'allarme	80
Opzioni dell'allarme	80
Operazioni <i>Bluetooth</i>	81
Digital Radio/FM Ricezione; RDS; Posizione; Pulizia.....	82
Garanzia Limitata.....	83
Specifiche Tecniche.....	85



Questo simbolo serve per segnalare all'utente la presenza di "tensioni pericolose" non isolate all'interno del guscio del prodotto che potrebbero essere sufficienti per rappresentare un pericolo di shock elettrico per le persone.



Questo simbolo serve per segnalare all'utente la presenza di importanti istruzioni di manutenzione (assistenza) e utilizzo nella documentazione che accompagna il dispositivo.

Importanti Istruzioni Di Sicurezza

1. Leggete queste istruzioni.
2. Conservare queste istruzioni.
3. Rispettare tutte le avvertenze.
4. Seguite tutte le istruzioni.
5. **ATTENZIONE** – Rischio di esplosione della batteria se sostituita in modo errato. Sostituire esclusivamente con una batteria di tipo uguale o equivalente.
6. **AVVERTENZA:** non esporre le batterie a un calore eccessivo, ad esempio al sole, al fuoco o simili.
7. **AVVERTENZA: NON INGERIRE LA BATTERIA, RISCHIO DI USTIONI CHIMICHE.** Il telecomando fornito con il prodotto contiene una pila a bottone. Se la pila a bottone viene ingoiata, potrebbe comportare gravi ustioni interne in sole 2 ore, causando la morte. Tenere le batterie, nuove e usate, lontano dai bambini. Se il vano batteria non si chiude saldamente, interrompere l'uso del prodotto e tenerlo lontano dalla portata dei bambini. Se si ritiene che le batterie siano state ingerite o introdotte in qualsiasi altra parte del corpo, consultare immediatamente un medico.
8. **ATTENZIONE** - Per ridurre il rischio di shock elettrici, non esponete questo prodotto alla pioggia o all'umidità.
9. Pulire solo con un panno asciutto.
10. Non bloccare le aperture di ventilazione. Installare secondo le istruzioni del produttore.
11. Non installare vicino a fonti di calore come radiatori, termosifoni, stufe o altri apparecchi (inclusi amplificatori) che producono calore.
12. Non annullare l'obiettivo di sicurezza della spina polarizzata o di terra spina. Una spina polarizzata ha due lame, una più larga dell'altra. Una spina con messa a terra ha due lame e un terzo polo di terra. La lama larga o le punte terzi sono forniti per la vostra sicurezza. Se la spina fornita non entra nella presa, consultare un elettricista per la sostituzione della presa obsoleta.
13. Proteggere il cavo elettrico da calpestamento o pieghe in particolare su spine, spazi di comodo, punto di uscita dall'apparecchio.
14. Utilizzare solo annessi/accessori specificati dal produttore.

15. Utilizzate solo il carrello, l'appoggio, il treppiede, o il tavolo specificato dal produttore, o venduto con il dispositivo. Quando si usa un carrello, fate prudenza nel movimentare la combinazione di dispositivo e carrello per evitare infortuni dovuti al rovesciamento.
16. Per maggiore sicurezza, scollegare l'apparecchio dalla presa a muro in caso di temporali o di non utilizzo per lunghi periodi.
17. Utilizzate il prodotto solo con il tipo di alimentazione indicato sul pannello posteriore. Per prodotti che usano un alimentatore esterno, utilizzate un alimentatore sostitutivo esattamente uguale in caso di perdita o danneggiamento dell'originale. Per prodotti che utilizzano batterie, fate riferimento alle istruzioni nel manuale utente.
18. Scollegate questo prodotto dalla presa a muro e portatelo in riparazione a personale qualificato se si verifica una delle seguenti condizioni:
 - a. Quando il cavo di alimentazione o la presa sono danneggiati.
 - b. Se del liquido è colato o degli oggetti sono caduti sul prodotto.
 - c. Se il prodotto è stato esposto a acqua o pioggia.
 - d. Se il prodotto non funziona normalmente seguendo le istruzioni di utilizzo.
 - e. Se il prodotto è stato fatto cadere o danneggiato in altro modo.
 - f. Quando il prodotto mostra un importante degrado delle prestazioni.
19. Quando parti di ricambio sono necessari, assicurarsi che il tecnico abbia utilizzato parti di ricambio specificate dal produttore o aventi le stesse caratteristiche di quelli originali. Sostituzioni non autorizzate possono causare incendi, scosse elettriche o altri pericoli.
20. Al termine di qualsiasi servizio, chiedere al tecnico di eseguire controlli di sicurezza per confermare il prodotto è in perfette condizioni operative.
21. In caso di rottura dello schermo LCD non toccare il liquido.
22. Tenere il prodotto lontano da fiamme libere come ad esempio candele accese.
23. Non esporre il dispositivo a spruzzi o liquidi colanti. Oggetti contenenti liquidi come vasi o bicchieri non devono essere collocati sopra il prodotto.
24. La temperatura di utilizzo raccomandata va da 5 °C a 40 °C (41° F a 104° F).
25. **ATTENZIONE** - La rete non venga interrotta in posizione off, ma i circuiti sono de-alimentati.
26. L'alimentazione esterna funge da dispositivo di scollegamento e deve essere facilmente accessibile.



⚠ ATTENZIONE: IL APPOSTO ALBERGO+ ANTENNA TELESCOPICA ESTERNA NON DEVE ESSERE STACCATO.



Questo prodotto può essere riciclato. I prodotti che mostrano questo simbolo NON devono essere buttati via con i normali rifiuti domestici. Alla fine della vita utile del prodotto, portatelo in un punto di conferimento designato al riciclo di dispositivi elettrici ed elettronici. Chiedete al servizio pubblico più vicino a voi informazioni sui punti di riconsegna e di raccolta.

La Direttiva Europea sui rifiuti di apparecchiature elettriche ed elettroniche (RAEE) è stata realizzata per ridurre drasticamente il volume di rifiuti interrati riducendo di conseguenza l'impatto ambientale sul pianeta e sulla salute umana. Agite responsabilmente riciclando i prodotti usati. Se questo prodotto è ancora utilizzabile, prendete in considerazione la possibilità di consegnarlo ad altri o venderlo.

Istruzioni Albergo+

Congratulazioni per il tuo acquisto. Siamo convinti che Albergo+ sia una delle migliori radio sveglie DAB/DAB+/DMB/FM da tavolo oggi sul mercato. Sappiamo che sei ansioso di poter ascoltare al meglio la tua nuova radio ma per poter sfruttare appieno le capacità di questo dispositivo prenditi un po' di tempo per leggere questo manuale d'uso e le istruzioni di sicurezza. Non esitare a contattare il tuo rivenditore o Tivoli Audio per qualsiasi dubbio.

Conserva la scatola e l'imballo originale nel caso in cui fosse necessario rispedire indietro la radio dato che i danni di trasporto non sono coperti dalla garanzia di fabbrica.

A nome di tutti noi ti ringraziamo per aver scelto Tivoli Audio e ci auguriamo di goderti al meglio il tuo Albergo+!

A Proposito Di Tivoli Audio

Tivoli Audio è stata fondata da Tom DeVesto con l'intenzione di dare al consumatore prodotti di facile utilizzo, dal design elegante e con elevata qualità audio. Come CEO e capo del dipartimento di ricerca e sviluppo della sua precedente azienda, Cambridge Soundworks, Tom si è occupato dello sviluppo di molti dei prodotti di home entertainment e multimediali più venduti sul mercato. Ha inoltre occupato posizioni chiave per lo sviluppo prodotto in Advent e Kloss Video.

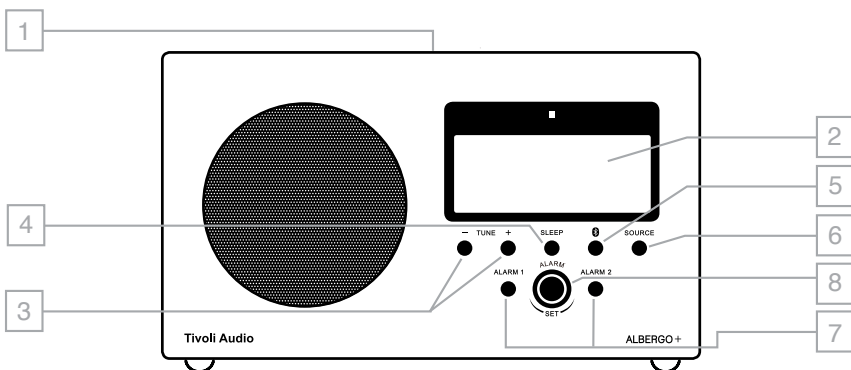
*Cambridge SoundWorks è un marchio registrato di Creative Labs, Singapore.

Nella confezione del tuo Albergo+ sono inclusi:

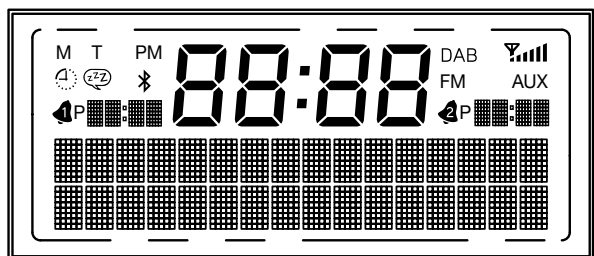
- 1 cavo di alimentazione da 9'
- 1 telecomando (batteria installata)

Contatta il tuo rivenditore o Tivoli Audio in caso di mancanza di uno di questi componenti.

Guida Alle Caratteristiche (Pannello Anteriore)



1. **GHIERA DI CONTROLLO MULTIFUNZIONE (ALTO):** La ghiera di controllo ha diverse funzioni:
 - a. **Alimentazione:** Quando Albergop+ è spento, premerla per accendere l'unità. Quando Albergop+ è impostato su qualsiasi sorgente, premerla e tenerla premuta per spegnere l'unità
 - b. **Volume:** Quando Albergop+ è impostato su una qualsiasi fonte, ruotare in senso orario per aumentare il volume ed in senso antiorario per diminuirlo.
 - c. **Snooze:** Premere per attivare la funzione Snooze quando si attiva l'allarme. Sul display comparirà l'icona (ZZ) quando è attiva la funzione Snooze. La durata della funzione Snooze è impostata su 10 minuti. Premendo nuovamente il pulsante Snooze durante la modalità Snooze, il timer della funzione sarà posticipato di 10 minuti. Mentre l'allarme suona, tenere premuto il pulsante Snooze per spegnere l'allarme e l'unità, oppure premere il rispettivo pulsante di allarmen.
2. **LCD:**



88:88 : (Carattere centrale): ora

AUX: Auxiliary

FM: Banda FM

: Timer funzione Sleep

: Livello segnale

: Modalità *Bluetooth*

: Timer funzione Snooze

DAB: Banda DAB/DAB+

M: Mono

: Sveglia 1 e 2

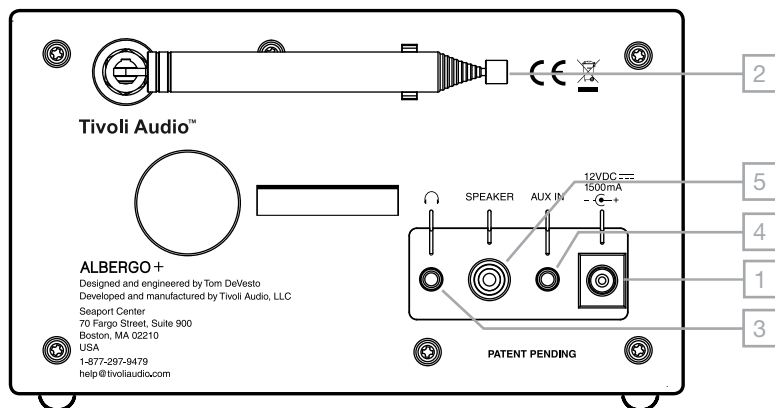
PM: Se l'orologio a 12 ore è selezionato

T: Modalità di regolazione manuale

3. **TUNE +/-:** In modalità DAB, servirsi di questi pulsanti per visualizzare tutte le stazioni DAB/DAB+ disponibili. Utilizzare i pulsanti +/- per evidenziare le stazioni specifiche. La stazione DAB evidenziata si sintonizzerà automaticamente dopo 3 secondi, altrimenti premere il pulsante Enter sul telecomando. FM: Premere brevemente i pulsanti Tune +/- per eseguire una Scansione automatica fino alla successiva stazione rilevata. Fare riferimento a "Scansione automatica" nella sezione "Menu FM" per scoprire come disabilitare la Scansione Automatica e sintonizzare manualmente le stazioni.
4. **SLEEP:** Premere ripetutamente per impostare il tempo di riproduzione della radio prima dello spegnimento automatico, oppure premere il pulsante Select sul telecomando per selezionare tale durata. Una piccola icona a orologio indicherà sul display che la funzione Sleep è attiva. Per annullare la funzione Sleep, premere il pulsante Sleep fino a quando il display mostra la scritta "Off".
5. **BLUETOOTH:** Premere per entrare nella modalità *Bluetooth*. Per ulteriori informazioni, si veda la sezione "Operazioni *Bluetooth*". Tenere premuto il pulsante *Bluetooth* per cancellare la memoria di tutti i dispositivi associati. Il display visualizzerà "Memoria cancellata".

6. **SOURCE:** Premere per modificare le sorgenti.
7. **1 2 ALARM 1 AND 2 (ALARM 1 E 2):** Premere per regolare l'orario di sveglia desiderato relativo a ciascun allarme e impostare automaticamente l'allarme di sveglia.
8. **MANOPOLA DELL'ALLARME:** Dopo aver premuto il pulsante Alarm, ruotare la manopola per regolare l'ora e spingere per confermare. Successivamente, eseguire la stessa operazione con i minuti e premere la manopola al termine, altrimenti l'orario dell'allarme sarà automaticamente impostato dopo 3 secondi. L'allarme sarà impostato sulla sveglia. L'orario di sveglia di ciascun allarme è mostrato sul display. Premere nuovamente il rispettivo pulsante Alarm per annullare l'allarme. **Consultare anche la sezione "Impostare l'allarme mediante il Menu principale" per altre importanti informazioni relative alle impostazioni dell'allarme.**

Guida Alle Caratteristiche (Pannello Posteriore)




1. **12VDC/1500mA:** Questa alimentazione deve essere impiegata per far funzionare Albergo+ utilizzando l'alimentatore esterno incluso. **Utilizzare solo l'alimentatore fornito con il presente prodotto.** Qualora l'alimentatore fosse danneggiato o non appropriato, utilizzare esclusivamente ricambi simili. Qualsiasi adattatore DC utilizzato deve soddisfare i requisiti EN/IEC 60065 e deve essere alimentato a 12VDC 1500mA e 230V 50Hz (a seconda dei requisiti di alimentazione della propria regione). L'utilizzo di un adattatore DC non raccomandato dal produttore o che non rispetta le presenti specifiche potrebbe costituire un rischio per la sicurezza. Il connettore è da 5,5 mm/2,1 mm con il centro positivo. Il surriscaldamento dell'alimentatore durante l'uso è normale.
2. **ANTENNA ESTERNA:** Un'antenna telescopica esterna è montata all'ingresso e non deve essere rimossa. Regolare per ottenere una migliore ricezione. Per ulteriori informazioni, consultare la sezione "Digital Radio/FM Ricezione".
3. **USCITA CUFFIE:** Collegare le cuffie (non incluse) a questa uscita variabile stereo per ascolto privato. L'utilizzo di cuffie blocca la riproduzione degli altoparlanti primari. Il volume delle cuffie si regola utilizzando la ghiera di controllo col telecomando. Questa uscita stereo è adatta ad un connettore stereo mini da 3.5 mm. Evita di utilizzare le cuffie a volume troppo alto per evitare danni all'udito.
4. **AUX IN:** Per ascoltare l'audio proveniente da un altro dispositivo come ad esempio Model CD di Tivoli Audio, un lettore MP3 o una tv collegare l'uscita del suddetto dispositivo audio a questo ingresso e modificare la sorgente per la funzione Auxiliary.

Questo ingresso stereo accetta un connettore stereo mini da 3.5mm. **Si noti: che potrebbe essere necessario regolare diversamente il volume per un dispositivo ausiliario rispetto al volume utilizzato per l'ascolto della radio.**

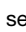
- 5. Speaker:** Collegare il cavo RCA dall'altoparlante opzionale Tivoli Audio Albergo Stereo Speaker alla presa di uscita RCA. Assicurarsi che l'impostazione Stereo/Mono sia impostata su Stereo utilizzando il tasto Mono sul telecomando. Verificare che sul display non sia visualizzata la "M" di mono.

Guida Alle Caratteristiche (Telecomando)

- 1. POWER:** Premere brevemente per accendere Albergo+. La radio si accenderà sull'ultima sorgente utilizzata. Premere nuovamente per spegnere Albergo+.

- 2. MUTE/SNOOZE:** Premere questo tasto per eliminare l'audio (l'icona lampeggia) mentre l'unità è riproduzione; premere nuovamente i tasti di regolazione del volume per ripristinare la riproduzione audio. Premere per interrompere un allarme per 10 minuti dopo che questo si è attivato. Sul display comparirà  l'icona quando la funzione Snooze è attiva. La durata dello Snooze non è regolabile. Premendo nuovamente il pulsante Snooze durante la modalità Snooze, il timer della funzione sarà posticipato di 10 minuti.

- 3. ALARM:** Utilizzare i tasti ▲▼ e Select per regolare ed impostare gli allarmi. Please also see "How to Change Alarm Settings and Set the Alarm Via the Main Menu" for additional very important Alarm settings.

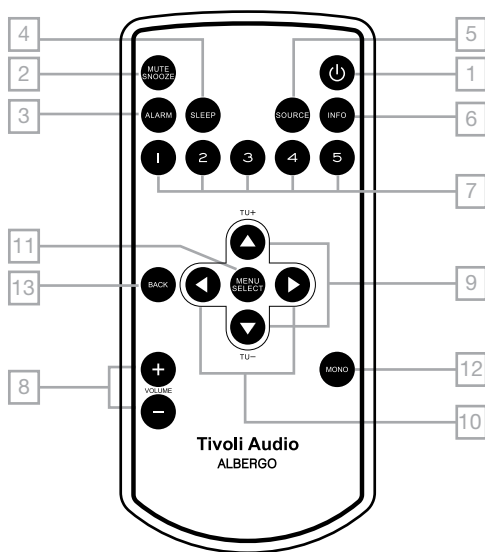
- 4. SLEEP:** Premere ripetutamente per impostare il tempo di riproduzione della radio prima dello spegnimento automatico, oppure premere il pulsante Select sul telecomando per selezionare tale durata. Una piccola icona a orologio  indicherà sul display che la funzione Sleep è attiva. Premere di nuovo per cancellare la funzione sleep.

- 5. SOURCE:** Premere per modificare le sorgenti.

- 6. INFO:** Premere ripetutamente per visualizzare le informazioni dell'impostazione di base.

- 7. PRESETS 1-5:** Premere e tenere premuto per salvare la stazione al momento in riproduzione. Premere brevemente per richiamare la stazione associata alla memoria specifica. Il numero di preselezione viene indicato sul display. Sono presenti 5 preselezioni per ogni banda.

- 8. VOLUME +/-:** Premere il tasto + per aumentare il volume o il tasto - per abbassarlo. Se la riproduzione audio risulta distorta abbassare il volume per evitare di danneggiare gli altoparlanti. Regolare il volume quando Albergo+ è in modalità mute deselecta questa opzione.



9. **▲▼/TUNE +/-**: Premere per regolare gli elementi del menu all'interno del Menu. In modalità DAB, servirsi di questi pulsanti per visualizzare tutte le stazioni DAB/DAB+ disponibili. Utilizzare i pulsanti ▲▼ per evidenziare le stazioni specifiche. La stazione DAB evidenziata si sintonizzerà automaticamente dopo 3 secondi, altrimenti premere il pulsante Enter sul telecomando. FM: Premere brevemente i pulsanti Tune +/- per eseguire una Scansione automatica fino alla successiva stazione rilevata. Fare riferimento a "Scansione automatica" nella sezione "Menu FM" per scoprire come disabilitare la Scansione Automatica e sintonizzare manualmente le stazioni.
10. **◀▶**: Premere questi tasti per navigare avanti e indietro nel menù.
11. **MENU/SELECT**: Premere per accedere al menù principale e per selezionare le voci all'interno del menù. Per ulteriori informazioni, consultare le seguenti sezioni contrassegnate con "Menu" relative ai menu DAB, FM, e Auxiliary.
12. **MONO**: Premere per modificare le impostazioni Stereo/Mono. Sul display sarà visualizzata la "M" di mono. Questa impostazione interessa anche l'uscita delle cuffie. Per ulteriori informazioni, consultare la sezione "Digital Radio/FM Ricezione".
13. **BACK**: Premere per tornare alla pagina precedente del menu.

Nota: Con Albergo+ in standby, è possibile regolare la retroilluminazione del display senza accendere Albergo+ e accedere al menu. Premere due volte il pulsante ▲ sul telecomando per disattivare la retroilluminazione. Premere il pulsante ▲ sul telecomando per attivare la retroilluminazione per 10 secondi. Premere altre due volte il pulsante ▲ sul telecomando per ripristinare la retroilluminazione.

Menu Digital Radio (DAB/DAB+)

In modo DAB, tenere premuto tenere premuto il pulsante Menu del telecomando per accedere al menu principale. Usare i tasti ▲▼ e il pulsante Select del telecomando, per aggiornare gli elementi del menu. Utilizzare il pulsante Back per tornare indietro.

L'asterisco (*) indica che l'elemento visualizzato nel menu è attualmente impostato.

Note: Dopo essere entrati in modalità Digital radio, se l'Elenco delle stazioni risulta vuoto si avvia la scansione automatica.

Note: Se non viene intrapresa alcuna azione per nove secondi, il Menu principale si disconnetterà.

1. **RICERCA AUTOMATICA:** Ricerca sull'intera gamma di frequenze. Se spostate il Albergo+ in un'altra località, allora dovete realizzare una nuova ricerca in modo che la radio trovi le stazioni nella nuova zona. TPer annullare la scansione automatica, premere il pulsante Back sul telecomando.
2. **TIVOLI EQ:** Premere il pulsante Select e utilizzare i pulsanti ▲▼ e Select per regolare i Bassi e gli Alti. I valori regolati saranno mostrati in "User EQ". Premere il pulsante Select per attivare o disattivare il Loudness. L'attivazione del Loudness è consigliata quando l'ascolto avviene a bassi livelli di volume, poiché aumenta le frequenze alte e basse favorendo un suono più naturale. Utilizzare i pulsanti ▲▼ e Select per attivare una delle impostazioni della preselezione EQ. La scelta di una preselezione EQ sostituirà qualsiasi modifica effettuata alle impostazioni dei Bassi e degli Alti, mentre non interesserà il Loudness. "Flat" EQ ripristina le impostazioni audio ai valori di fabbrica, quindi i Bassi e gli Alti saranno reimpostati a zero. Inoltre, "Flat" EQ ripristina l'opzione Loudness Off. Tuttavia, se i Bassi e gli Alti sono stati regolati, le impostazioni saranno ancora visualizzate in "User EQ". Selezionando "User EQ", le impostazioni di Bassi e Alti saranno riattivate. Nella pagina del menu EQ, i numeri sul lato destro indicano le impostazioni di bassi e alti.

3. **SINTONIZZAZIONE MANUALE:** Premere i pulsanti per sintonizzare manualmente le frequenze specifiche DAB/DAB+. La stazione DAB evidenziata si sintonizzerà automaticamente dopo 3 secondi, altrimenti premere il pulsante Enter sul telecomando.
4. **DRC:** Il Dynamic Range Control permette di cambiare il livello sonoro per alzare il volume durante passaggi quieti, oppure quando si ascolta a basso volume.
5. **IMPOSTAZIONI (A-F):**

A. **ALLARME:** Consultare la sezione "Impostare l'allarme mediante il Menu principale".

B. ORA

Impostazione data/ora: Premere il pulsante Select e utilizzare i pulsanti ▲▼ e Select per regolare l'ora e i minuti. Impostare la funzione Auto update su "No update". Per ulteriori informazioni, fare riferimento alla sezione "Auto update" seguente.

Auto Update: Premere il pulsante Select e utilizzare i pulsanti ▲▼ e Select per scegliere tra le opzioni "Update from any", "Update from DAB", o "Update from FM" (RDS). Affinché tutti gli aggiornamenti automatici funzionino, è necessaria una ricezione DAB o FM RDS costante con un segnale ora/data. L'aggiornamento dell'orologio potrebbe richiedere un minuto o più. Tivoli Audio non è responsabile delle informazioni inesatte di ora/data fornite dal segnale di aggiornamento automatico. Per impostare manualmente l'orologio, selezionare "No Update", e poi "Set Time/Date" nel menu "Time" utilizzando i pulsanti ▲▼, e poi il pulsante Select per regolare l'ora. Ripetere l'operazione per regolare i minuti e premere Select per salvare.

Impostazione formato 12/24: Premere il pulsante Select e utilizzare i pulsanti ▲▼ e Select per scegliere il formato dell'orologio a 12 o 24 ore.

Impostazione formato data: Premere il pulsante Select e utilizzare i pulsanti ▲▼ e Select per scegliere il formato data preferito.

C. RETROILLUMINAZIONE:

Timeout: Il livello di retroilluminazione può essere costante indipendentemente dall'utilizzo dei comandi di Albergo+ (configurazione di fabbrica di Albergo+), oppure è possibile personalizzare la retroilluminazione affinché passi automaticamente all'impostazione "Dim level" dopo un certo periodo di tempo durante il quale i comandi non sono stati utilizzati. Quando il comando sull'unità o sul telecomando è premuto, il normale livello di retroilluminazione è ripristinato. Premere Select e utilizzare i pulsanti ▲▼ e Select per impostare la quantità di tempo che impiegherà la retroilluminazione per passare al livello meno intenso tra 10, 20, 30, 45, 60, 90, 120, o 180 secondi, o per disattivare la funzione timeout.

On Level: Premere Select e utilizzare i pulsanti ▲▼ e Select per scegliere l'intensità della retroilluminazione.

Dim Level: Se in "Timeout" è stato selezionato un tempo di passaggio all'impostazione più debole della retroilluminazione, premere Select e utilizzare i pulsanti ▲▼ e Select per determinare l'intensità della retroilluminazione quando si passa a tale impostazione.

D. **LINGUA:** Premere Select e utilizzare i pulsanti ▲▼ e Select per impostare la lingua.

E. **REIMPOSTAZIONE DEI VALORI DI FABBRICA:** Premere Select e usare i pulsanti ▲▼ o ◀▶ sul telecomando per confermare (Si) o rifiutare (No) la reimpostazione dei valori di fabbrica. Questa operazione cancellerà tutte le vostre impostazioni personalizzate come i Preset. Consultare anche la sezione "Digital Radio/FM Ricezione".

- F. **ID:** Premere Select per visualizzare l'ID. Qualora si contattasse il distributore o Tivoli Audio per porre una domanda, potrebbe essere richiesto il numero che compare in questo campo.

Menu FM

In modalità FM, tenere premuto il pulsante Menu/Select sul telecomando per entrare nel menu principale. Utilizzare i pulsanti ▲▼ e Select per cambiare gli elementi all'interno del menu. Utilizzare il pulsante Back per tornare indietro. L'asterisco (*) indica che l'elemento visualizzato nel menu è attualmente impostato.

Nota: Se non viene intrapresa alcuna azione per nove secondi, il Menu principale si disconnetterà.

1. **IMPOSTAZIONI SCANSIONE:** Premere Select e utilizzare ▲▼ e il pulsante Select per scegliere tra “Strong stations only” o “All stations” durante la scansione automatica (fare riferimento a 9 (▲▼/Tune +/-) nella sezione “Telecomando”. La selezione di “All stations” aumenta la sensibilità della scansione, che potrebbe causare interruzioni della ricerca automatica in caso di interferenze.
2. **SCANSIONE AUTOMATICA (NON NEI MENU AUX):** Premere Select e utilizzare ▲▼ e il pulsante Select per scegliere tra “Strong stations only”, “All stations” oppure “Off” durante la scansione automatica (fare riferimento al punto 9 (Tune +/-) nella sezione “Telecomando”). La selezione di “All stations” aumenta la sensibilità della scansione, che potrebbe causare interruzioni della ricerca automatica in caso di interferenze. Selezionando “Off”, la Scansione automatica sarà interrotta e sarà possibile sintonizzare manualmente le stazioni.
3. **RDS:** Premere il pulsante Select e utilizzare i pulsanti ▲▼ e Select per scegliere se abilitare o disabilitare il testo FM RDS. Per ulteriori informazioni, fare riferimento alla sezione “RDS”.
4. **TIVOLI EQ:** Fare riferimento alla descrizione nel “Menu Digital Radio”.
5. **IMPOSTAZIONI:** Fare riferimento alla descrizione nel “Menu Digital Radio”.

Menu Auxiliary

In modalità Auxiliary, tenere premuto il pulsante Menu/Select sul telecomando per entrare nel menu principale. Utilizzare i pulsanti ▲▼ e Select per cambiare gli elementi all'interno del menu. Utilizzare il pulsante Back per tornare indietro. L'asterisco (*) indica che l'elemento visualizzato nel menu è attualmente impostato.

Nota: Se non viene intrapresa alcuna azione per nove secondi, il Menu principale si disconnetterà.

1. **TIVOLI EQ:** Fare riferimento alla descrizione nel “Menu Digital Radio”.
2. **ALARM 2:** Se non è previsto l'utilizzo della seconda sveglia Alarm 2 o se si teme che Alarm 2 possa essere impostata in modo errato, premere il pulsante Select e utilizzare i pulsanti ▲▼ e Select per disattivare la seconda sveglia Alarm 2.
3. **IMPOSTAZIONI:** Fare riferimento alla descrizione nel “Menu Digital Radio”.
4. **LIMITE VOLUME:** Se si desidera ridurre il livello massimo di volume in modo da non disturbare gli altri, premere il pulsante Select e utilizzare i pulsanti ▲▼ e Select per scegliere tra il limite di Volume 26 o 22. La selezione di “Off” mantiene il livello massimo a 30, il valore di fabbrica. Si noti che la riduzione del volume generale ridurrà anche il volume di riproduzione dell'allarme.

5. **LIVELLO BLUETOOTH:** Utilizzare i pulsanti ▲▼ e Select per selezionare “Basso” se si desidera ridurre la portata del segnale *Bluetooth*. Quest’operazione è opportuna se la funzione *Bluetooth* è utilizzata solamente quando ci si trova nelle immediate vicinanze della radio. Consigliamo di lasciare questa impostazione sulla posizione “Normale”.

Modificare le impostazioni dell'allarme e impostare l'allarme mediante il Menu principale

1. Con Albergo+ alimentato, accedere alle impostazioni dell'allarme mediante il menu principale in modalità DAB, FM, o Aux tenendo premuto il pulsante Menu del telecomando. Nel Menu, selezionare “Settings” e “Alarm”
2. Il primo viene visualizzato l'allarme 1. Utilizzare ▲▼ e Select per scegliere tra Alarm1 e Alarm2. Nota: è sempre possibile navigare all'interno del menù della sveglia utilizzando i tasti ◀▶.
3. Utilizzare ▲▼ e il tasto Select per attivare/disattivare la sveglia.
4. Utilizzare ▲▼ e impostare/modificare l'ora puoi premere Select. ripetere questa procedura per impostare/modificare i minuti, fseguito da AM/PM (se l'ora è impostata nel formato 12 ore), poi premere Select.
5. Utilizzare i tasti ▲▼ e Select per impostare la sorgente con la quale si desidera essere svegliati. Se si imposta la sorgente DAB (incluso DAB+) o FM, utilizzare i pulsanti per selezionare le preselezioni delle stazioni (se memorizzate) o le stazioni ascoltate recentemente e premere Select.
6. Utilizzare ▲▼ e Select per impostare la programmazione dell'allarme (la frequenza con cui si vuole essere svegliati).
7. Infine utilizzare i tasti ▲▼ per impostare il volume della sveglia. Per garantire la presenza del suono quando si attiva l'allarme, il livello di volume dell'allarme non può essere impostato al di sotto del livello minimo. Inoltre, se attivata, la funzione “Limite di volume” del Menu Auxiliary inciderà sul volume dell'allarme.
8. Ripetere questa procedura per impostare la seconda sveglia Alarm 2.

Se si compie un errore in qualsiasi momento del processo, premere il pulsante Back sul telecomando e ricominciare

Nota: Le impostazioni saranno salvate quando tutto il processo sarà completato e se il display mostrerà la scritta “Alarm Saved”.

Nota: Se si imposta la sorgente dell'allarme su DAB e le stazioni preselezionate o ascoltate recentemente non sono disponibili quando l'allarme suona, l'allarme passerà automaticamente al segnale acustico.

Mancanza di corrente: in caso di mancanza di alimentazione o se Albergo+ viene scollegato l'orario della sveglia viene salvato ma Albergo+ non potrà attivare la sveglia se non viene ripristinata l'alimentazione.

Le Opzioni Della Sveglia

Il volume dell'allarme aumenta gradualmente. Quando l'allarme suona, è possibile attivare la funzione Snooze o spegnere l'allarme.

Snooze: Per attivare la funzione Snooze quando la sveglia suona premere il tasto Snooze o premere brevemente la ghiera di controllo multifunzione in alto sull'unità. La durata dello Snooze non è regolabile. Premendo nuovamente il pulsante Snooze durante la modalità Snooze, il timer della funzione sarà posticipato di 10 minuti. Quando l'allarme suona,

tenere premuta la rotella superiore della funzione Snooze per spegnere l'allarme e l'unità, oppure premere il rispettivo pulsante di allarme.

Alarm Off: Per spegnere la sveglia premere il tasto Alarm o Power sul telecomando o premere e tenere premuta la ghiera multifunzione in alto sull'unità.

Attivazione rapida dell'allarme: Con Albergo+ in Standby, premere ripetutamente e brevemente il pulsante di allarme sul telecomando per attivare o disattivare ciascun allarme.

Operazioni Bluetooth

Accendere la Albergo+ nella posizione di ingresso ausiliario. Questa operazione attiva il *Bluetooth*. Alzare il volume di circa $\frac{1}{4}$ per iniziare. Aumentare il volume sul dispositivo sorgente (il dispositivo da cui si sta effettuando lo streaming).

1. Premere il pulsante *Bluetooth* del pannello frontale di Albergo+ oppure cambiare la sorgente su *Bluetooth*. Alzare il volume di circa $\frac{1}{4}$ per iniziare. Aumentare il volume sul dispositivo sorgente (il dispositivo da cui si sta effettuando lo streaming).
2. Attivare la tecnologia wireless *Bluetooth* sul dispositivo abilitato.
3. Iniziare la ricerca e selezionare "Tivoli *Bluetooth* (Not Accoppiato)" quando questo messaggio appare sullo schermo del tuo dispositivo. Alcuni dispositivi possono richiedere un PIN. In tal caso, inserire "0000". "Tivoli *Bluetooth*" cambierà da "Non Accoppiato" a "Connesso".
4. Sentirete un tono dalla Albergo+ a conferma del collegamento e si potrà iniziare a riprodurre i vostri file musicali in modalità senza fili. Regolare il livello del volume del dispositivo. Non dovrebbe essere necessario accoppiare lo stesso dispositivo un'altra volta. **In base al dispositivo utilizzato, potrebbe essere necessario effettuare più tentativi di Accoppiamento e/o Connessione del Albergo+. Concedere al dispositivo il tempo necessario per l'Accoppiamento o la Connessione prima di ripetere il procedimento.**

Abbinamento Di Un iPhone/iPod Touch/iPad, Abilitato Alla Tecnologia Wireless Bluetooth

1. Premere il pulsante *Bluetooth* del pannello frontale di Albergo+ oppure cambiare la sorgente su *Bluetooth*. Alzare il volume di circa $\frac{1}{4}$ per iniziare. Aumentare il volume sul dispositivo sorgente (il dispositivo da cui si sta effettuando lo streaming).
2. Selezionare "Impostazioni" (secondo la versione software installata sul proprio dispositivo).
3. Selezionare "Generali".
4. Selezionare "*Bluetooth*".
5. Attivare *Bluetooth* per avviare la ricerca.
6. Selezionare "Tivoli *Bluetooth* (Non Abbinato)" quando appare sul display. Se viene richiesto di immettere un PIN, immettere "0000". "Tivoli *Bluetooth*" cambierà da "Not Connesso" a "Connesso".
7. Sentirete un tono dalla Albergo+ a conferma del collegamento e si potrà iniziare a riprodurre i vostri file musicali in modalità senza fili. Regolare il livello del volume del dispositivo. Non dovrebbe essere necessario accoppiare l'iPhone / iPod / iPad un'altra volta.

Il livello di uscita del volume dei file musicali varia. Se si preferisce un livello di uscita più elevato, controllare le impostazioni del vostro iPhone / iPod touch / iPad: Impostare EQ Off, SoundCheck Off, e il limite di volume Off.

Se dovesse incontrare un problema, premere la piccola freccia a destra di "Tivoli *Bluetooth*" sul suo iPhone / iPod touch / iPad display e selezionare "Ignora questo dispositivo", quindi ripetere la procedura di abbinamento. **In base al dispositivo utilizzato, potrebbe essere necessario effettuare più tentativi di Accoppiamento e/o Connessione del Albergop+. Concedere al dispositivo il tempo necessario per l'Accoppiamento o la Connessione prima di ripetere il procedimento.**

Durante lo streaming musicale, è possibile premere la freccia blu a destra del pulsante >>/ prossima traccia / su iPhone / iPod touch / iPad display per alternare tra l'iPhone / iPod / iPad e *Bluetooth*.

NOTA:

- La Albergop+ ricorderà le informazioni di associazione per un massimo di 8 dispositivi. Dispositivi aggiuntivi possono essere accoppiati, ma il dispositivo utilizzato meno di recente sarà sostituito dall'ultimo dispositivo abbinato.
- Se l'audio si sente a tratti o si arresta durante la riproduzione, spostare il dispositivo in una posizione più vicina alla Albergop+, o controllare per essere sicuri che un altro dispositivo senza fili non interferisca con il segnale.
- Quando si passa dal *Bluetooth* al AM o FM, potrebbe essere necessario regolare di nuovo il volume della radio.

Digital Radio/FM Ricezione

L'antenna insieme esterna consente una buona ricezione. Nelle località in cui il segnale FM è forte, la riduzione della lunghezza dell'antenna potrebbe consentire una migliore ricezione.

Se si utilizza Albergop+ insieme all'altoparlante opzionale Albergop Stereo Speaker della modalità stereo e nel caso in cui la riproduzione di stazioni F.M. sia disturbata, premere il tasto Mono sul telecomando, questo potrebbe rendere l'ascolto della stazione più piacevole. Sul display è visualizzata la "M" quando l'unità si trova in modalità mono.

Gli edifici in cemento, acciaio o alluminio in ibisco dalla ricezione. Le apparecchiature domestiche, coperte elettriche, computer, lettori CD o altri apparecchi elettronici possono avere un'influenza negativa sulla ricezione o causare interferenze. In questo caso allontanare Albergop+ dal dispositivo fonte di disturbo o collegarlo ad un'uscita elettrica non condivisa da altri dispositivi.

Nota: Spostando Albergop+ in un'altra posizione con stazioni DAB differenti da quelle precedenti, è consigliabile reimpostare i valori di fabbrica e avviare una nuova scansione per aggiornare l'elenco delle stazioni DAB.

Messaggi DAB Sul Display

Stazioni Secondarie: Le stazioni secondarie saranno indicate con il simbolo >> accanto al nome della stazione. I servizi secondari potrebbero non essere disponibili nella propria area.

"?": Se appare questo simbolo vicino al nome della stazione, allora significa che la stazione non è disponibile o attiva.

"Not disponibile": Visibile quando si sintonizza una stazione con un livello di segnale insufficiente.

RDS/RBDS (Solo Banda FM)

Il Radio Data System trasmette dati testuali insieme alla trasmissione audio. Non tutte le stazioni FM utilizzano questo servizio, quindi il testo può non essere presente in alcune stazioni. Per le stazioni che trasmettono in modalità RDS il testo potrebbe non comparire o apparire disturbato se il segnale troppo debole. In questi casi provare a modificare la posizione dell'antenna FM. Se si riceve in RDS, premere ripetutamente il pulsante Info per visualizzare le informazioni disponibili. Si noti: Contenuto RDS è determinato da ogni singola stazione FM.

Posizione

Collocare Alberg+ su una superficie piana e stabile. Per un'adeguata diffusione dei passi e per favorire la ventilazione non ostruire la porta dei bassi posteriore. Alberg+ non è schermato dalle interferenze video e deve essere tenuto almeno a 127mm (5") di distanza da monitor di computer e televisori. Collocare l'apparecchio in librerie, armadietti o vicino a pareti o angoli potrebbe influire sui bassi creando un suono innaturale.

Pulizia

Non utilizzare mai detersivi o solventi aggressivi sulla propria radio.

Garanzia Limitata

Tivoli Audio produce i propri prodotti in conformità con i massimi standard qualitativi, riuscendo in tal modo a garantire prestazioni ottimali per i propri prodotti. Di conseguenza, Tivoli Audio offre una garanzia limitata per questo prodotto a copertura di eventuali difetti di fabbricazione dovuti a materiali o esecuzione al proprietario originale. Questa garanzia non è trasferibile.

I prodotti acquistati all'interno dell'Unione Europea e in Norvegia hanno una garanzia minima della durata di due anni. Per i paesi all'interno dei quali i termini di garanzia minimi sono determinati dalla legge, il termine di garanzia corrisponde al periodo richiesto dalla legge. In tutti gli altri paesi, la durata della garanzia corrisponde a un anno.

Questa garanzia limitata copre le funzioni del prodotto nel corso del normale utilizzo previsto ed illustrato all'interno di questo manuale dell'utente. La garanzia non offre alcuna copertura in merito a malfunzionamenti o danni risultanti dall'uso o dall'installazione impropri o irragionevoli, l'utilizzo di un caricatore per caricare batterie alcaline, accessori difettosi, modifiche, riparazioni non autorizzate, perdita o danneggiamento durante la spedizione, maneggiamento negligente, incidenti, utilizzo con tensione/corrente inappropriati, sovratensioni, fulmini o altre cause di forza maggiore, eccessiva umidità, normale usura e logoramento, utilizzo a fini commerciali, o acquisto da rivenditori non autorizzati. Il centro assistenza potrebbe richiedere la presentazione di una ricevuta al fine di verificare che l'unità sia stata acquistata da un rivenditore autorizzato. **Contattare il punto vendita o il proprio distributore locale per manutenzioni coperte dalla garanzia o riparazioni.**

Evitare di aprire o smontare questo prodotto, dal momento che tale operazione invaliderebbe questa garanzia limitata. L'interno dell'unità non contiene alcun componente che richiede la manutenzione da parte dell'utente. Tivoli Audio non coprirà alcun costo sostenuto risultante dalla correzione di problemi di ricezione, dall'eliminazione di rumore/cariche statiche generati esternamente o dal danneggiamento di questo prodotto provocato da un uso improprio.

In caso di restituzione del prodotto durante il periodo di validità della garanzia e di copertura ai sensi di questa garanzia limitata, provvederemo a riparare o sostituire i componenti difettosi entro un periodo di tempo ragionevole, senza costi aggiuntivi.

QUESTA GARANZIA LIMITATA CONCEDE ALL'UTENTE SPECIFICI DIRITTI LEGALI SOGGETTI A DETERMINATE CONDIZIONI. L'UTENTE POTREBBE INOLTRE USUFRUIRE DI ALTRI DIRITTI LEGALI APPLICABILI AL PRODOTTO ACQUISITO. QUESTI DIRITTI LEGALI VARIANO DA UN PAESE ALL'ALTRO. ALCUNI PAESI NON CONSENTONO L'ESCLUSIONE, LA RESTRIZIONE O LA MODIFICA DI CERTI DIRITTI IMPLICITI O DEI LORO EFFETTI. IN QUESTE SITUAZIONI, QUESTA GARANZIA LIMITATA SARÀ APPLICABILE SOLO NELLA MISURA CONSENTITA DALLE LEGGI APPLICABILI.

Le leggi di un paese potrebbero fornire all'utente rivendicazioni legali nei confronti del rivenditore o del produttore di questo prodotto. Questa garanzia limitata non ha alcun effetto su questi diritti.

Le clausole della garanzia limitata vanno a sostituire eventuali garanzie o condizioni di diversa natura, con l'eccezione di garanzie e condizioni di natura legale. Questa garanzia limitata non ha alcun effetto su eventuali diritti legali previsti dalla legge e non preclude alcun ricorso garantito dalla legge.

Nei paesi all'interno dei quali i limiti di responsabilità non sono preclusi dalla legge, la responsabilità massima di Tivoli Audio non potrà eccedere il prezzo di acquisto corrisposto dall'utente per il prodotto. Nei paesi all'interno dei quali le limitazioni di responsabilità sono precluse dalla legge, Tivoli Audio sarà responsabile per un valore complessivo non superiore ai danni diretti risultanti da lesioni fisiche e/o a proprietà reali o personali provocati dalla negligenza di Tivoli Audio.

Laddove ciò non è proibito dalla legge, Tivoli Audio non sarà responsabile di danni incidentali, consequenziali o indiretti. Alcuni paesi non consentono limitazioni di esclusione o limitazione di riparazione, danni speciali, incidentali, consequenziali o indiretti, o limitazione di responsabilità a somme specificate, pertanto le limitazioni ed esclusioni sopracitate potrebbero non essere applicabili all'utente.

Questa garanzia limitata perde validità in caso di rimozione o illeggibilità dell'etichetta riportante il numero seriale.

In caso di acquisto di un contratto di assistenza estesa dal proprio rivenditore, se il dispositivo richiede un intervento di manutenzione successivamente al termine del periodo di validità di questa garanzia limitata, contattare il proprio provider del servizio esteso per ottenere assistenza.

Per comodità, è possibile registrare il proprio prodotto sul sito del servizio di garanzia online sul nostro sito Web, www.tivoliaudio.com. Non sussiste alcun obbligo legale a fornire i propri dati personali. Tuttavia, queste informazioni ci permettono di conservare un record dei prodotti Tivoli Audio acquistati dall'utente e di comprendere meglio gli acquirenti dei nostri prodotti. Le informazioni raccolte verranno utilizzate a scopo di marketing da Tivoli Audio e, ove consentito, per contattare gli utenti in merito ai prodotti acquistati o ad altri prodotti di possibile interesse distribuiti da Tivoli Audio o da altre aziende. Le informazioni fornite potrebbero essere elaborate in un altro paese.

Specifiche Tecniche

Modello:	Tivoli Audio Albergo+
Tipo:	DAB/DAB+/DMB/FM radiosveglia con tecnologia wireless <i>Bluetooth</i>
Drivers:	76,2 mm (3") gamma completa
Bande di ricezione:	FM:87.5-108MHz DAB (Band III)/DAB+: 174-240MHz (La ricezione varia in base alla regione)
Corrente:	12VDC nominal - 15 VDC maximum, 1500 mA
Alimentazione:	Tivoli Audio 1.5A- CE
Riduzione enfasi FM:	50uSec o 75uSec (in base alla regione)
Dimensioni:	110 mm H x 186 mm W x 129 mm D (4,34"H x 7,32"W x 5,22"D)
Peso:	1,0 kg (2,2 lbs.)

Tutte le specifiche sono soggette a modifiche senza obbligo di preavviso. Tivoli Audio si riserva il diritto di modificare il prodotto senza preavviso. Tivoli Audio, il logo Tivoli Audio, Albergo, Albergo+ e Albergo Speaker sono marchi registrati di Tivoli Audio, LLC. Il marchio e il logo *Bluetooth* sono marchi registrati di proprietà di Bluetooth SIG, Inc. e qualsiasi utilizzo di tali marchi da Tivoli Audio è sotto licenza. iPod, iPod touch, iPhone, e iPad sono marchi di Apple Inc., registrati negli Stati Uniti e in altri paesi.




ALBERGO™ +

DAB/DAB+/DMB/FM Clock Radio

TABLE OF CONTENTS

Veiligheidsinstructies.....	87
Instructies; A Proposito Di Tivoli Audio.....	90
Bediening (boven- en voorzijde).....	90
Bediening (achterzijde).....	92
Afstandsbediening.....	93
Menu Digitale radio / FM / Aux.....	94
De wekker instellen.....	97
Wekkeropties.....	98
<i>Bluetooth Gebruiken</i>	98
Digitale radio/FM Ontvangst; RDS; Plaatsing; Reinigen.....	99
Garantie.....	100
Specificaties.....	102

CAUTION	
	RISK OF ELECTRIC SHOCK DO NOT OPEN
ATTENTION RISQUE DE CHOC ELECTRIQUE, NE PAS OUVRIIR	
PRECAUCION RIESGO DE CHOQUE ELECTRICO NO ABRIR	
CAUTION: TO REDUCE THE RISK OF ELECTRIC SHOCK, DO NOT REMOVE COVER (OR BACK). NO USER-SERVICEABLE PARTS INSIDE. REFER SERVICING TO QUALIFIED SERVICE PERSONNEL.	



Dit symbool waarschuwt u voor de aanwezigheid van niet-geïsoleerde spanning in het toestel, waardoor de kans op ook voor mensen gevaarlijke elektrische schokken bestaat.



Dit symbool wijst u op belangrijke bedienings-, onderhouds- en service-instructies in de bij het toestel behorende literatuur.

Belangrijke Veiligheidsinstructies

1. Volg deze instructies op.
2. Bewaar deze instructies.
3. Neem alle waarschuwingen in acht.
4. Volg alle instructies op.
5. LET OP - Gevaar voor explosie wanneer de batterij niet correct is geplaatst. Vervang batterijen uitsluitend met dezelfde of gelijkwaardige batterijen.
6. WAARSCHUWING: Batterijen mogen niet worden blootgesteld aan bovenmatige hitte, zoals zonneschijn, brand of soortgelijke omstandigheden.
7. WAARSCHUWING: DE BATTERIJ NIET INSLIKKEN, RISICO OP CHEMISCHE BRANDWONDEN. De bijgeleverde afstandsbediening bij dit product bevat een munt-/knoopcelbatterij. Als de munt-/knoopcelbatterij wordt ingeslikt, kunnen er na slechts 2 uur ernstige interne brandwonden worden veroorzaakt en dit kan leiden tot de dood. Bewaar nieuwe en gebruikte batterijen uit het zicht en bereik van kinderen. Als het batterijvakje niet correct kan worden gesloten, gebruik het product dan niet langer en bewaar het uit het zicht en bereik van kinderen. Als u denkt dat de batterijen werden ingeslikt of zich in het lichaam bevinden, raadpleeg dan onmiddellijk een arts.
8. WAARSCHUWING - Stel dit apparaat niet bloot aan regen of vocht om het risico van brand of elektrische schokken te verminderen.
9. Alleen reinigen met een droge doek.
10. De ventilatiegaten niet blokkeren. Installeer het apparaat volgens de instructies van de fabrikant.
11. Niet installeren in de buurt van hittebronnen, zoals radiatoren, verwarmingsroosters, ovens of ander apparaten (waaronder versterkers) die warmte afgeven.
12. De veiligheidskenmerken van de gepolariseerde of gearde stekker niet beschadigen. Een gepolariseerde stekker heeft twee bladen, waarbij er een breder is dan de ander. Een gearde stekker heeft twee pinnen en een derde aardepin. Het brede blad of de derde pen zijn bedoeld voor uw veiligheid. Als de geleverde stekker niet in uw stopcontact past, moet u een elektricien raadplegen om het stopcontact te vervangen.

13. Bescherm de netkabel, zodat men er niet over kan lopen en hij niet bekneld raakt. Let vooral op de nabijheid van stekkers, stopcontacten en het punt waar de kabel op het apparaat is aangesloten.
 14. Gebruik alleen aanhangsels/accessoires die worden aangegeven door de fabrikant.
 15. Gebruik alleen met de wagen, standaard, driepoot, beugel of tafel die worden aangegeven door de fabrikant of die bij het apparaat wordt verkocht. Bij het gebruik van een wagen moet de wagen/apparaat-combinatie voorzichtig worden verplaatst om letsel door vallen te voorkomen.
- 
16. Verwijder de stekker van dit apparaat uit het apparaat tijdens onweer of wanneer het gedurende een langere periode niet wordt gebruikt.
 17. Gebruik dit product uitsluitend in combinatie met het type voeding dat op de achterkant is aangegeven. Gebruik bij producten met een externe voeding een exacte vervanging als deze verloren of beschadigd is. Zie de handleiding voor producten met batterijen.
 18. Trek de stekker uit het stopcontact en laat het apparaat door vakkundig personeel onderhouden onder de volgende omstandigheden:
 - a. Als het netsnoer of de stekker beschadigd is.
 - b. Als vloeistof is gemorst of voorwerpen in het apparaat zijn gevallen.
 - c. Als het apparaat is blootgesteld aan water of regen.
 - d. Als het product niet normaal werkt volgens de gebruiksaanwijzing.
 - e. Als het apparaat is gevallen of op andere wijze beschadigd is.
 - f. Als het apparaat duidelijk anders presteert.
 19. Als vervangende onderdelen nodig zijn, moet u controleren of de onderhoudsmonteur onderdelen heeft gebruikt die door de fabrikant zijn opgegeven of die dezelfde kenmerken hebben als de oorspronkelijke onderdelen. Ongeautoriseerde vervanging kan brand, schokken of andere gevaren opleveren.
 20. Na uitvoeren van onderhoud moet u de onderhoudsmonteur vragen om een veiligheidscontrole uit te voeren ter bevestiging dat het product goed werkt.
 21. Zou het display breken, vermijdt dan elk contact met het daarbij mogelijk vrijkomende vocht.
 22. Houd dit apparaat op een veilige afstand van open vuur zoals een aangestoken kaars.
 23. Het apparaat mag niet worden blootgesteld aan druppels of spetters en er mogen geen objecten gevuld met water, zoals vazen, op het apparaat worden geplaatst.
 24. De aanbevolen werktemperatuur ligt tussen 5°C en 40°C.
 25. **WAARSCHUWING** - de hoofdvoeding is niet afgesloten in de uit-stand maar de bedrading is stroomloos.
 26. De externe voedingsadapter is bedoeld om het apparaat te ontkoppelen en moet gemakkelijk bereikbaar zijn.



WAARSCHUWING: DE GEMONTEERDE ALBERGO+-ANTENNE IS NIET BEDOELD OM TE WORDEN LOSGEMAAKT.



Dit product kan gerecycled worden. Producten met dit symbool mogen NIET worden weggeworpen met het normale huisvuil. Aan het eind van de levensduur van het product moet u het naar een aangewezen verzamelpunt voor elektrische apparatuur brengen. De gemeente kan u meer informatie verstrekken over deze verzamelpunten.

De Europese richtlijn voor afval van elektrische en elektronische apparaten (WEEE) is geïmplementeerd om de hoeveelheid afval drastisch te beperken die naar afvalhopen gaat, waardoor ook de invloed op het milieu en op de gezondheid beperkt wordt. Ga verantwoordelijk te werk bij het recyclen van gebruikte producten. Als dit product nog bruikbaar is, overweeg dan het weg te geven of te verkopen.

Albergo+ Instructies

Hartelijk gefeliciteerd met deze aanschaf. Wij zijn ervan overtuigd dat de Albergo+ een van de beste DAB/DAB+/DMB/FM-wekkerradio's van dit moment is. Het liefst neemt u uw nieuwe radio waarschijnlijk direct in gebruik. Toch raden we u beslist aan om eerst deze handleiding in z'n geheel door te lezen. Heeft u daarna nog vragen, aarzelt u dan niet om contact met uw dealer op te nemen. Hij is u graag van dienst.

Wij adviseren u om de originele verpakking te bewaren voor het geval u het apparaat ooit zou moeten versturen. Transportschade valt niet onder de garantie.

Namens alle medewerkers van Tivoli Audio bedanken we u voor uw keuze voor dit product, we wensen u bijzonder veel plezier met uw Albergo+!

Over Tivoli Audio

Tivoli Audio is opgericht door Tom DeVesto met als doel het leveren van eenvoudig te gebruiken, elegant ontworpen audio-producten van een hoge kwaliteit aan consumenten. Als CEO en hoofd onderzoek en ontwikkeling bij zijn vorige bedrijf, Cambridge SoundWorks*, was Tom verantwoordelijk voor de ontwikkeling van een groot aantal van de best verkopen de home entertainment- en multimediacproducten op de markt. Hij bezette ook senior management functies voor productontwikkeling bij zowel Advent als Kloss Video.

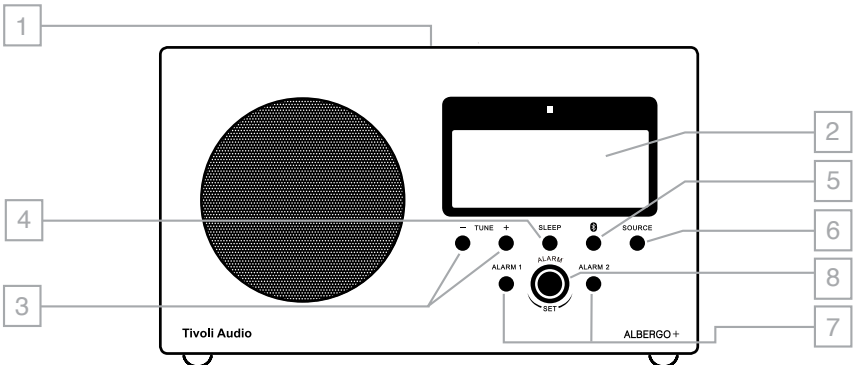
*Cambridge SoundWorks is een geregistreerd handelsmerk van Creative Labs, Singapore.

Naast de Albergo+ treft u in de verpakking het volgende aan:

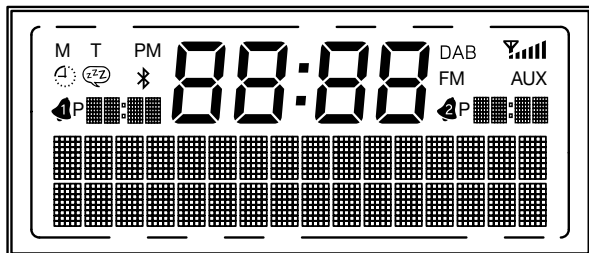
- 1 netsnoer (2,74 meter)
- 1 afstandsbediening met geïnstalleerde batterij

Neem contact op met uw leverancier als een of meer van bovengenoemde zaken zou ontbreken.

Bediening (Boven- En Voorzijde)



1. **MULTIFUNCTIONEEL BEDIENINGSWIEL:** Met het multifunctionele bedieningswiel aan de bovenzijde van de Albergo+ heeft u direct toegang tot een aantal belangrijke functies:
 - a. **Aan/uit:** Als de Albergo+ uitstaat, drukt u eenmaal op de knop om het toestel aan te zetten. Om het toestel uit te zetten, houdt u de knop even ingedrukt.
 - b. **Volume:** Ongeacht de gekozen klankbron kunt u het volume verhogen door de knop met de klok mee te draaien. Draait u de knop tegen de klok in, dan verlaagt u het volume.
 - c. **Suimerknop:** Als de wekker gaat, drukt u de knop eenmaal in om de sluimerfunctie te activeren. Een icoon (ZZ) op het display geeft aan dat deze functie actief is. De sluimertijd bedraagt 10 minuten. Als u nogmaals op de sluimerknop drukt terwijl het apparaat nog in de sluimermodus is, wordt de sluimertimer weer op 10 minuten ingesteld. Terwijl de wekker afgaat, houdt u de sluimerknop ingedrukt om de wekker en het apparaat uit te zetten, of drukt u op de knop van de respectieve wekker.
2. **LCD:**



88:88 : Tijd

AUX: Auxiliary

FM: FM-band

: Slaaptimer

: Signaalniveau

: Bluetooth-modus

: Sluimertimer

DAB: DAB/DAB+ band

M: Mono

: Wekker 1 en 2

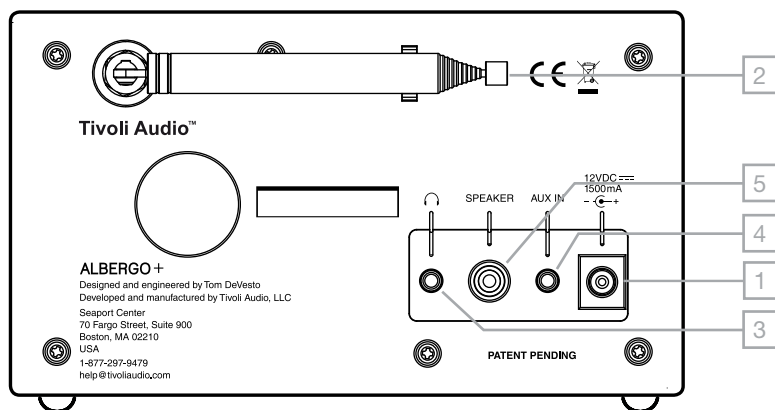
PM: Wanneer de 12-uurs klok is geselecteerd

T: Handmatige zenderkeuze

3. **TUNE +/-:** In de DAB-modus kunt u met deze knoppen alle beschikbare DAB/DAB+ stations aangeven. Gebruik de knoppen +/- om specifieke stations te markeren; het gemarkeerde DAB-station wordt na 3 seconden automatisch ingeschakeld, of druk op de knop Enter op de afstandsbediening. FM: Druk kort op de afstemknoppen (Tune +/-) om automatisch naar de volgende gevonden zender over te schakelen (Auto Scan). Zie "Auto Scan" onder "FM Menu" als u Auto Scan wilt uitschakelen en handmatig op zenders wilt afstemmen.
4. **SLEEP:** Druk herhaaldelijk op deze knop om in te stellen hoe lang de radio zal spelen voordat hij automatisch wordt uitgeschakeld, en/of druk op de knop Select op de afstandsbediening om die tijd te selecteren. Er verschijnt een klokje op het display als de slaaptimer actief is. Om Slaap te annuleren, drukt u op de knop Sleep totdat er "Off" op het display staat.
5. **BLUETOOTH-BEREIK:** Druk op deze knop om naar de Bluetooth-modus te gaan. Zie "Bluetooth gebruiken" voor verdere informatie. Druk op de knop Bluetooth en houd deze ingedrukt om alle gekoppelde apparaten uit het geheugen te wissen. Op het scherm wordt "Memory Cleared" (geheugen gewist) weergegeven.

6. **SOURCE:** Druk op deze knop om een andere klankbron te kiezen.
7. **1 2 ALARM 1 AND 2:** Druk op deze knop(pen) om de gewenste wektijd(en) in te stellen zodat de wekker automatisch zal afgaan.
8. **KNOP ALARM:** Druk op een van beide knoppen en draai deze knop om het uur in te stellen, druk op de knop om dit in te voeren, en doe dan hetzelfde voor de minuten en druk op de knop als u klaar bent, anders wordt de wektijd na 3 seconden automatisch ingesteld. De wekker is nu ingesteld om af te gaan. Beide wektijden worden op het display weergegeven. Druk opnieuw op de respectieve knop Alarm om het wekken te annuleren. **Zie ook "De wekker via het hoofdmenu instellen" voor verdere zeer belangrijke wekkerinstellingen.**

Bediening (Achterzijde)




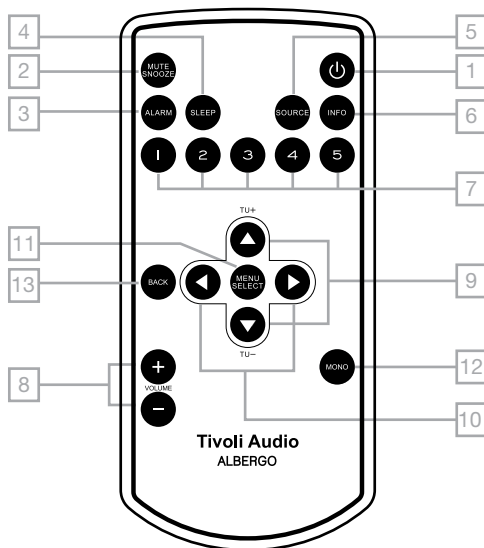
1. **12VDC/1500mA:** Gebruik deze ingang om de Albergo+ te bedienen via de bijgeleverde externe voedingsadapter. **Gebruik uitsluitend de voeding die met dit product is meegeleverd.** Als de voeding beschadigd of verloren is, gebruik dan uitsluitend een gelijkwaardige vervanging. Iedere gebruikte gelijkstroomadapter moet voldoen aan de eisen van EN/IEC 60065 en een nominale waarde van 12 VDC 1500 mA en 230 V 50 Hz hebben (afhankelijk van de lokale stroomvereisten). Het gebruik van een gelijkstroomadapter die niet door de fabrikant is aanbevolen of niet aan deze specificatie voldoet, kan gevaar opleveren. De adapter moet een 5,5/2,1mm-plug met een positieve kern hebben. Het is normaal dat de voedingsadapter tijdens het gebruik warm wordt.
2. **EXTERNE ANTENNE:** Er is een externe telescoopantenne aan deze ingang bevestigd; het is niet de bedoeling dat deze wordt verwijderd. Stel hem bij voor de beste ontvangst. Zie ook de paragraaf "Digitale radio/FM-ontvangst".
3. **HOOFDTELEFOON UIT:** Sluit op deze instelbare stereo-uitgang een hoofdtelefoon aan (niet meegeleverd) voor ongestoord luisteren. De hoofdtelefoon schakelt de luidspreker uit. Gebruik het bedieningswiel of de volumeknoppen van de afstandsbediening om het volume te regelen. Deze uitgang wordt ook beïnvloed door de knop "Mono" op de afstandsbediening. Deze stereo-uitgang is bedoeld voor een standaard 3.5mm stereominiplug. Voorkom gehoorschade door het volume bij gebruik van de hoofdtelefoon te matigen.
4. **AUX IN:** Om audio van een ander apparaat, zoals Tivoli Audio's Model CD, een MP3-speler

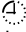
of tv te kunnen horen, sluit u de audio-uitgang van het betreffende apparaat aan op deze stereo-ingang en zet u de bron op Aux. Deze stereo-ingang is bedoeld voor een 3,5 mm stereo mini connector. Mogelijk moet u het volumeniveau afwijkend instellen voor een extra apparaat van het niveau voor het luisteren naar de radio.

- 5. Speaker:** Sluit het mannetje van het bij de optionele Tivoli Audio Albergo Stereo Speaker meegeleverde RCA-snoer aan op deze vrouwelijke uitgang. Zorg dat de instelling Stereo/Mono op Stereo staat door op de knop Mono op de afstandsbediening te drukken en controleer of er geen "M" voor mono op het display staat.

Afstandsbediening

- 1. POWER:** Druk deze knop in om de Albergo+ aan te zetten. De laatst gekozen klankbron zal actief zijn.
- 2. MUTE/SNOOZE:** Druk eenmaal om de luidspreker(s) tijdelijk uit te schakelen als de Model 10 speelt. Druk nogmaals of wijzig de volume-instelling om de weergave te hervatten. Als de wekker gaat, gebruikt u deze knop om de sluimerfunctie te activeren. De wekker zal 10 minuten later opnieuw afgaan. Een  icoon op het display geeft aan dat de sluimerfunctie actief is. De sluimertijd is niet instelbaar. Als u nogmaals op de sluimerknop drukt terwijl het apparaat nog in de sluimermodus is, wordt de sluimertimer weer op 10 minuten ingesteld.



- 3. ALARM:** Terwijl de Albergo+ is ingeschakeld, kunt u met de knoppen ▲▼ en Select de wekkers afstellen en instellen. **Zie ook "De wekker via het hoofdmenu instellen" voor verdere zeer belangrijke wekkerinstellingen.**
- 4. SLEEP:** Druk herhaaldelijk op deze knop om  in te stellen hoe lang de radio zal spelen voordat hij automatisch wordt uitgeschakeld, en/of druk op de knop Select op de afstandsbediening om die tijd te selecteren. Er verschijnt een klokje op het display als de slaaptimer actief is. Om Slaap te annuleren, drukt u op de knop Sleep totdat er "Off" op het display staat.
- 5. SOURCE:** Druk op deze knop om een andere klankbron te kiezen.
- 6. INFO:** Druk herhaaldelijk op deze knop om de beschikbare informatie te doorlopen, afhankelijk van de bronmodus waarin u bent.
- 7. PRESETS 1-5 (Voorkeuzeknoppen):** Even ingedrukt houden om het nu spelende radiostation op te slaan. Kort indrukken om het onder een knop opgeslagen station weer op te roepen. Bij FM-stations wordt het voorkeuzennummer in het display weergegeven. Per band zijn vijf voorkeuzes mogelijk.

8. **VOLUME +/-:** Druk op de knop Volume + om het volumeniveau te verhogen en op Volume – om het volume te verlagen. Verlaag het volume als muziek of stemmen vervormd weergegeven worden. Zo voorkomt u dat de speaker beschadigd raakt. Bij gebruik van de volumeknoppen wordt de mute-functie opgeheven: de luidspreker wordt weer geactiveerd.
9. **▲▼/TUNE +/-:** Druk hierop om menu-items bij te stellen als u in het Menu bent. In de DAB-modus kunt u met deze knoppen alle beschikbare DAB/DAB+ stations aangeven. Gebruik de knoppen ▲▼ om specifieke stations te markeren; het gemarkeerde DAB-station wordt na 3 seconden automatisch ingeschakeld, of druk op de knop Enter op de afstandsbediening. FM: Druk kort op de afstemknoppen (Tune +/-) om automatisch naar de volgende gevonden zender over te schakelen (Auto Scan). Zie "Auto Scan" onder "FM Menu" als u Auto Scan wilt uitschakelen en handmatig op zenders wilt afstemmen.
10. **◀▶:** Het pijltje naar rechts (▶) heeft dezelfde functie als de knop Select. In bepaalde menu's heeft het pijltje naar links (◀) dezelfde functie als de knop "Back" (terug).
11. **MENU/SELECT:** Houd deze knop ingedrukt om in elke bronmodus naar het hoofdmenu te gaan en druk er kort op om items in het menu te selecteren. Zie ook de paragrafen hieronder met "Menu" voor de menu's DAB, FM en Aux.
12. **MONO:** Druk op deze knop om voor mono of stereo te kiezen. Op het display staat "M" voor mono. Deze instelling beïnvloedt ook de hoofdtelefoonuitgang. Zie ook de paragraaf "Digitale radio/FM-ontvangst".
13. **BACK (Terug):** Druk deze knop in om naar de vorige pagina in het menu te gaan.

N.B. Terwijl de Albergo+ in stand-by staat, kunt u de achtergrondverlichting van het display regelen zonder dat u de Albergo+ hoeft aan te zetten of het menu hoeft te openen. Druk tweemaal op de knop ▲ op de afstandsbediening om de achtergrondverlichting uit te zetten. Druk op de knop ▲ op de afstandsbediening om de achtergrondverlichting gedurende 10 seconden aan te zetten. Druk nogmaals tweemaal op de knop ▲ om de achtergrondverlichting te herstellen.

Menu Digitale radio (DAB/DAB+)

Houd in de DAB-modus de knop Menu op de afstandsbediening ingedrukt om naar het hoofdmenu te gaan. Gebruik de knoppen ▲▼ op de afstandsbediening en de knop Select om keuzes in het menu te maken en te bevestigen. Met de knop Back gaat u een stap terug. Gekozen instellingen worden aangegeven met een sterretje (*).

NB: Als u naar de modus Digitale radio gaat, en de stationslijst leeg is, begint een automatische scan.

NB: Het hoofdmenu wordt na negen seconden uitgeschakeld als er geen actie wordt ondernomen.

1. **AUTO SCAN:** Zoekt het frequentiebereik af. Wanneer u de Albergo+ verplaatst naar een andere locatie dient u een nieuwe scan uit te voeren opdat de radio de zenders op die locatie kan vinden. Om het automatische scannen te annuleren, drukt u op de knop Back op de afstandsbediening.
2. **TIVOLI EQ (Klankregeling):** Druk op de knop Select en gebruik de knoppen ▲▼ en Select om de lage- en hogetonenweergave in te stellen (resp. Bass en Treble). De gekozen waarden worden weergegeven onder de "User EQ". Gebruik dezelfde knoppen om de Loudness aan of uit te zetten. Gebruik Loudness bij lage volumeniveaus om de hoge en lage frequenties iets te versterken. Dit zorgt voor een natuurlijker weergave. Met de knoppen ▲▼ en Select kunt u een van de vooringestelde EQ-instellingen

activeren. Bij selectie van een vooringestelde EQ worden alle veranderingen aan de instellingen van Bass en Treble (lage en hoge tonen) opgeheven, maar dit heeft geen invloed op Loudness (luidheid). Bij keuze voor "Flat" EQ worden de fabrieksinstellingen geactiveerd, wat betekent dat Bass en Treble beide op 0 (neutraal) gezet worden. Hierbij wordt de Loudness uitgeschakeld. Had u andere instellingen voor Bass en Treble gekozen, dan zijn deze instellingen via "User EQ" weer op te roepen. De getallen aan de rechterzijde van EQ menu-pagina geven de bass- en treble-instellingen weer.

3. **MANUAL TUNE (Handmatig Zenders Zoeken):** Gebruik de knoppen ▲▼ om handmatig bepaalde DAB/DAB+/DMB-frequenties op te zoeken. Het gemarkeerde DAB-station wordt na 3 seconden automatisch ingeschakeld, of u kunt op de knop Enter op de afstandsbediening drukken.
4. **DRC:** Met deze Dynamic Range Control kunt u zachte passages luider laten klinken, bijvoorbeeld als u in een lawaaige omgeving bent of op een heel laag volumenniveau luistert.
5. **SETTINGS (A-F):**

A. **ALARM:** Zie "De wekker via het hoofdmenu instellen".

B. TIME

Tijd Instellen: Druk op de knop Select en gebruik de knoppen ▲▼ en Select om eerst het uur en daarna de minuten in te stellen. Om de tijd handmatig in te stellen, moet u bij Auto update voor "No update" kiezen. Meer informatie over "Auto update" vindt u in de volgende alinea.

Auto Update: Druk op de knop Select en gebruik de knoppen ▲▼ en Select om te kiezen tussen "Update from any", "Update from DAB" (ook DMB), or "Update from FM" (RDS). Om deze automatische updates te laten werken, moet er sprake zijn van een goede DAB of FM RDS-ontvangst met een tijd- en datum-signaal. Het updaten van de klok, waarbij de correcte tijd en datum automatisch ingesteld worden, kan een minuut of langer duren. Tivoli Audio is niet verantwoordelijk voor het automatisch doorgeven van onjuiste tijd- en datumsignalen. Om de klok met de hand in te stellen, kiest u voor "No Update". Selecteer dan "Set Time/Date" in het "Time" menu. Gebruik de knoppen ▲▼ of ◀▶ en Select om het uur in te stellen. Herhaal dit om de minuten in te stellen en druk op Select om de ingestelde tijd te bevestigen.

Set 12/24 Hour (12- of 24-uurs klok): Druk op de knop Select en gebruik de knop ▲▼ en Select om voor een 12- of 24-uurs klok te kiezen.

Set Date Format (Datumweergave): Druk op de knop Select en gebruik de knoppen ▲▼ en Select om de gewenste datumweergave te kiezen.

C. BACKLIGHT:

Timeout: De displayverlichting kan een constant niveau hebben, ongeacht of u knoppen op de Albergo+ gebruikt (zo is de Albergo+ op de fabriek geconfigureerd), of u kunt de displayverlichting zo aanpassen dat deze na een vaste tijdsduur automatisch wordt "gedimd" zolang er geen knoppen worden gebruikt. Zodra u een knop op de radio of de afstandsbediening gebruikt, licht het display weer op de normale sterkte op. Druk op de knop Select en gebruik de knoppen ▲▼ en Select om de gewenste tijdsduur in te stellen. Daarbij kunt u kiezen voor 10, 20, 30, 45, 60, 90, 120 of 180 seconden. Als u voor "Off" kiest, wordt de displayverlichting nooit gedimd.

On Level: Druk op de knop Select en gebruik de knoppen ▲▼ en Select om de intensiteit van de displayverlichting te kiezen.

Dim Level: Als u onder "Timeout" een tijdsduur heeft geselecteerd waarna de displayverlichting wordt gedimd, drukt u op Select en gebruikt u de knoppen ▲▼ en Select om de intensiteit van de displayverlichting te kiezen wanneer deze wordt gedimd.

- D. **LANGUAGE:** Druk op de knop Select en gebruik de knoppen ▲▼ en kies uw voorkeurstaal.
- E. **FACTORY RESET:** Druk op de knop Select en gebruik de knoppen ▲▼ en Select om de fabrieksinstellingen te herstellen. Kies "Yes" om deze instellingen te herstellen of "No" om de huidige instellingen te behouden. Bij een reset (Yes) gaan al uw persoonlijke instellingen verloren, zoals de ingestelde voorkeuzestations en uw voorkeurstaal. Zie ook de paragraaf "Digitale radio/FM-ontvangst".
- F. **ID:** Druk op Select om de identiteitscode (ID) van uw Albergo+. Als u met uw dealer of Tivoli Audio contact opneemt met een vraag, kan men u verzoeken om het nummer in dit veld op te geven.

FM-menu

Houd in de FM-modus de knop Menu/Select op de afstandsbediening ingedrukt om naar het hoofdmenu te gaan. Gebruik de knoppen ▲▼ op de afstandsbediening en de knop Select om keuzes in het menu te maken en te bevestigen. Met de knop Back gaat u een stap terug. Gekozen instellingen worden aangegeven met een sterretje (*).

NB: Het hoofdmenu wordt na negen seconden uitgeschakeld als er geen actie wordt ondernomen.

1. **SCAN SETTING (Scannen):** Druk bij een auto-scan op de knop Select en gebruik de knoppen ▲▼ en Select om te kiezen tussen "Strong stations only" (uitsluitend afstemmen op sterke stations) of "All stations" (alle stations). Zie punt 9 (▲▼/Tune +/-) onder het kopje "Afstandsbediening" voor meer informatie. Bij keuze voor "All stations" wordt ook op zwakke stations afgestemd, waarbij in bepaalde gevallen alleen maar ruis te horen zal zijn.
2. **AUTO SCAN (NIET IN DE MENU'S AUX OF BLUETOOTH):** Druk op de knop Select en gebruik ▲▼ en de knop Select om te kiezen tussen zoeken naar alleen sterke zenders ("Strong stations only") of alle zenders ("All stations") tijdens Auto Scan of zet Auto Scan uit ("Off"). (Zie punt 9 [Tune +/-] onder "Afstandsbediening".) Als u "All stations" selecteert, neemt de gevoeligheid van de scan toe. Het kan zijn dat Auto Scan dan soms stopt op ruis. Als u "Off" selecteert, wordt Auto Scan uitgeschakeld. U kunt de radio dan handmatig afstemmen.
3. **RDS:** Druk op de knop Select en gebruik de knoppen ▲▼ en Select om te kiezen tussen het in- en uitschakelen van FM RDS-tekst. Zie ook "RDS".
4. **TIVOLI EQ:** Zie de beschrijving onder "Menu Digitale radio".
5. **SETTINGS:** Zie de beschrijving onder "Menu Digitale radio"..

Auxiliary Aux

Houd in de Aux-modus de knop Menu/Select op de afstandsbediening ingedrukt om naar het hoofdmenu te gaan. Gebruik de knoppen ▲▼ op de afstandsbediening en de knop Select om keuzes in het menu te maken en te bevestigen. Met de knop Back gaat u een stap terug. Gekozen instellingen worden aangegeven met een sterretje (*).

NB: Het hoofdmenu wordt na negen seconden uitgeschakeld als er geen actie wordt ondernomen.

1. **TIVOLI EQ:** Zie de beschrijving onder "Menu Digitale radio".
2. **ALARM 2:** Als u niet verwacht Alarm 2 (wektijd 2) te gebruiken of als u bang bent dat Alarm 2 misschien verkeerd is ingesteld, kunt u op de knop Select drukken en de knoppen ▲▼ en Select gebruiken om Alarm 2 uit te schakelen.
3. **SETTINGS:** Zie de beschrijving onder "Menu Digitale radio".
4. **VOLUME LIMIT:** Als u het maximale volumeniveau wilt verlagen om anderen niet te storen, kunt u op de knop Select drukken en met de knoppen ▲▼ en Select kiezen tussen Volumelimiet 26 en 22. Als u "Off" selecteert, blijft het maximumvolume op de fabrieksinstelling van 30. N.B.: als u het totale volumeniveau vermindert, wordt ook het volumeniveau van de wekker vermindert wanneer de wekker afgaat.
5. **BLUETOOTH-BEREIK:** Gebruik ▲▼ en de knop Select om het bereik van het Bluetooth-sigitaal desgewenst te verlagen (kies "Low"). Dit kan wenselijk zijn als de Bluetooth-functie alleen wordt gebruikt als u zich zeer dicht bij de radio bevindt. Aanbevolen wordt deze instelling op de normale stand ("Normal") te houden.

Wekkerinstellingen veranderen en de wekker via het hoofdmenu instellen

1. Met de Albergo+ ingeschakeld, gaat u naar de alarm instellingen via het hoofdmenu in DAB, FM of Aux modus door de knop Menu op de afstandsbediening in te drukken. Eenmaal in het menu selecteert u "Settings" en "Alarm".
2. Werktijd 1 (Alarm 1) wordt altijd als eerste getoond. Gebruik de knoppen ▲▼ en Select om tussen Alarm 1 en Alarm 2 te kiezen. NB: U kunt vanaf elk punt door het alarmmenu navigeren met de knoppen Back of ◀ en met knoppen Select of ▶.
3. Gebruik de knoppen ▲▼ en Select om de wekker aan of uit te zetten.
4. Gebruik de knoppen ▲▼ om het uur in te stellen. Druk dan op Select. Herhaal dit proces om de minuten in te stellen en (als u voor een 12-uurs weergave hebt gekozen) AM of PM te kiezen. Bevestig ook deze instellingen met Select.
5. Gebruik de knoppen ▲▼ om te kiezen door welke klankbron u gewekt wilt worden, en bevestig met Select. Als u de bron op DAB (omvat ook DAB+/DMB) of FM zet, gebruik dan de knoppen ▲▼ om het gewenste voorkeursstation of het laatst beluisterde station te kiezen, en bevestig met Select.
6. Met de knoppen ▲▼ kunt u instellen hoe vaak de wekker moet worden ingesteld om af te gaan, waarna u op Select drukt.
7. Gebruik tot slot de knoppen ▲▼ om het volumeniveau van de wekker in te stellen, en bevestig met Select. Om er zeker van te zijn dat er geluid is wanneer de wekker afgaat, kan het wekkervolume niet onder een minimaal niveau worden ingesteld. Het wekkervolume wordt ook beïnvloed door de volumelimiet als "Volume Limit" onder het menu Auxiliary is ingeschakeld.
8. Doorloop dezelfde procedure voor een tweede wektijd (Alarm 2), als u daar gebruik van wilt maken.

Vergist u zich tijdens het instellen van de wekker, dan brengt de knop Back op de afstandsbediening u terug naar het begin.

NB: Uw instellingen worden uitsluitend bewaard als u alle bovengenoemde stappen doorloopt en het display de tekst "Alarm Saved" toont.

NB: Als u hierbij voor DAB kiest en het laatste beluisterde station of het voorkeursstation op de ingestelde wektijd niet beschikbaar is, dan kiest de Albergo+ automatisch voor de standaard wektoon.

Stroomuitval: Als de stroom uitvalt blijft de ingestelde wektijd bewaard, maar de wekker gaat niet af.

Wekkeropties

Terwijl de wekker afgaat, wordt het volume geleidelijk hoger. Als de wekker afgaat, kunt u de sluimerfunctie activeren of de wekker uitzetten.

Snooze (sluimeren): Om de sluimerfunctie te activeren drukt u op de knop Snooze op de afstandsbediening, of u drukt het bedieningswiel aan de bovenzijde van de Albergo+ kort in. De sluimertijd is niet instelbaar. Als u nogmaals op de sluimerknop drukt terwijl het apparaat nog in de sluimermodus is, wordt de sluimertimer weer op 10 minuten ingesteld. Terwijl de wekker afgaat, houdt u het sluimerwiel boven op het apparaat ingedrukt om de wekker en het apparaat uit te zetten, of drukt u op de respectieve knop Alarm.

Alarm off: Om de wekker te stoppen terwijl hij afgaat, drukt u op de knop Alarm op het apparaat of de afstandsbediening, of houdt u het multifunctionele bedieningswiel boven op het apparaat ingedrukt. U kunt ook op de aan/uit-knop op de afstandsbediening drukken.

Alarm Quick Set: Als de Albergo+ op stand-by staat, kunt u de knop Alarm op de afstandsbediening gebruiken om elk van beide wekkers aan of uit te zetten.

Bluetooth Gebruiken

Controleer voor het koppelen of uw apparaat *Bluetooth 2.1+EDR A2DP* ondersteund en of het niet is gekoppeld aan een ander *Bluetooth*-apparaat. Apparaten kunnen op verschillende manieren koppelen. Hieronder volgt een algemene gids.

1. Druk op de knop *Bluetooth* op het voorpaneel van de Albergo+ of verander de bron in *Bluetooth*. Hierdoor wordt *Bluetooth* ingeschakeld. Draai het volume tot ongeveer $\frac{1}{4}$ om te beginnen. Verhoog ook het volume op het bronapparaat (het apparaat van waaraf u streamt).
2. Schakel *Bluetooth* in op de ingeschakelde apparaten.
3. Selecteer "Tivoli *Bluetooth* (Not Paired (niet gekoppeld))" als dit op het scherm van uw apparaat verschijnt om het zoeken te starten. Sommige apparaten kunnen om een PIN-code vragen. Typ in dat geval "0000". "Tivoli *Bluetooth*" verandert van "Not Paired" (Niet gekoppeld) in "Connected" (Verbonden.)
4. U hoort een beltoon van de Albergo+ als bevestiging van de verbinding en u kunt uw muziekbestanden draadloos afspelen. Pas het volume op het apparaat aan. U hoeft het apparaat niet opnieuw te koppelen. **Afhankelijk van uw apparaat moet u mogelijk meerdere pogingen ondernemen voor paren en/of verbinden met de Albergo+, maar geef het apparaat voldoende tijd om te Paren of Verbinden voordat u het proces herhaalt.**

Een iPhone/iPod Touch/iPad Met *Bluetooth* Koppelen

1. Druk op de knop *Bluetooth* op het voorpaneel van de Albergo+ of verander de bron In *Bluetooth*. Hierdoor wordt *Bluetooth* ingeschakeld. Draai het volume tot ongeveer $\frac{1}{4}$ om te beginnen. Verhoog ook het volume op het bronapparaat (het apparaat van waaraf u streamt).
2. Selecteer "Settings" (Instellingen) (afhankelijk van uw softwareversie).
3. Selecteer "General" (Algemeen).
4. Selecteer "*Bluetooth*".
5. Schakel *Bluetooth* in om het zoeken te starten.
6. Selecteer "Tivoli *Bluetooth* (Not Paired (Niet gekoppeld))" als dit op het scherm verschijnt. Als u gevraagd wordt om een PIN-code in te voeren, typt u "0000". "Tivoli *Bluetooth*" verandert van "Not Paired" (Niet gekoppeld) in "Connected" (Verbonden).
7. U hoort een beltoon van de Albergo+ en u kunt uw muziekbestanden draadloos afspelen. Pas het volume op het apparaat aan. U hoeft uw iPhone/iPod/iPad niet opnieuw te koppelen.

Het volumeniveau van de muziekbestanden kan verschillen. Als u voorkeur hebt voor een hoger uitvoerniveau, controleer dan de instellingen van de iPhone/iPod touch/iPad: Schakel de EQ uit, de SoundCheck uit en de Volume limit (Volumebegrenzing) uit.

Als u bij het koppelen een probleem ondervindt, drukt u op het pijltje rechts van "Tivoli *Bluetooth*" op het scherm van uw iPhone/iPod touch/iPad en selecteert u "Dit apparaat vergeten", waarna u het koppelingsproces herhaalt. **Afhankelijk van uw apparaat moet u mogelijk meerdere pogingen ondernemen voor paren en/of verbinden met de Albergo+, maar geef het apparaat voldoende tijd om te Paren of Verbinden voordat u het proces herhaalt.**

Bij het streamen van muziek kunt u op het blauwe pijltje rechts van de knop voor het volgende nummer >>/ op het scherm van de iPhone/iPod touch/iPad om te schakelen tussen de iPhone/iPod touch/iPad en *Bluetooth*.

OPMERKING:

- De Albergo+ onthoudt koppelgegevens voor maximaal 8 apparaten. Er kunnen meer apparaten gekoppeld worden, maar het minst recent gebruikte apparaat wordt dan vervangen door het nieuw gekoppelde apparaat.
- Als het geluid wegvalt of stopt tijdens het afspelen, plaatst u het apparaat dichterbij de Albergo+ of controleert u of een ander draadloos apparaat het signaal niet stoort.
- Bij het omschakelen van *Bluetooth* naar AM of FM moet u mogelijk het volumeniveau van de radio aanpassen.

Digital Radio/FM Ontvangst

De telescopische FM-antenne zorgt voor een goede ontvangst. Erg sterke FM-stations worden soms beter ontvangen als de antenne niet helemaal uitgeschoven is.

Als u de Albergo+ samen met de optionele Albergo Speaker in stereo gebruikt en een FM-radiostation in die opstelling veel ruis geeft, kunt u de ontvangst verbeteren door met de knop Mono op de afstandsbediening voor monoweergave kiezen. Op het display staat een "M" in mono.

Gebouwen met beton-, staal- of aluminiumconstructies kunnen een goede ontvangst verhinderen. De ontvangst kan ook negatief beïnvloed worden door elektrische dekens, computers, cd-spelers, magnetrons en andere elektrische apparaten, die tevens ruis en brom kunnen genereren. Deze verschijnselen zijn vaak met succes tegen te gaan door de Albergo+ verder uit de buurt van het betreffende apparaat te plaatsen of door het toestel op een wandcontactdoos van een andere elektrische groep aan te sluiten.

NB: Als u de Albergo+ meeneemt naar een locatie met een ander aanbod van DAB-stations, doet u er goed aan om een Update List uit te voeren. Tijdens de bijbehorende scan wordt de lijst met beschikbare DAB-stations ververs.

DAB Berichten Weergave

Secundaire Diensten: Secundaire zenders worden weergegeven met een >> symbool naast de zendernaam. Secundaire diensten worden niet in alle gebieden weergegeven.

"?": Wanneer naast de zendernaam dit symbool verschijnt, is de zender ongeldig of inactief.

"Not Available": Dit bericht verschijnt wanneer u op een DAB zender met onvoldoende signaal ingechakeld bent.

RDS (Uitsluitend FM)

Het RDS (Radio Data System) stuurt teksten met de radio-uitzending mee. Niet alle FM-stations bieden deze service; bij deze stations zal het display dergelijke teksten dus niet weergeven. Als het ontvangen signaal zwak is, kan dit ook voorkomen bij stations die wel RDS bieden. In zulke gevallen is het ook mogelijk dat de tekst niet optimaal weergegeven wordt. Herpositioneren van de FM-antenne kan verbetering brengen. NB: de inhoud van de meegezonden tekst wordt door elke FM-station zelf bepaald.

Plaatsing

Plaats de Albergo+ op een vlakke, stabiele ondergrond. Voor een goede laagweergave en voldoende ventilatie mag de baspoort aan de achterzijde niet geblokkeerd worden. De Albergo+ heeft geen videoafscherming en moet minimaal op 127 mm van computermonitors of televisies geplaatst worden. Plaatsing in een (boeken)kast of te dicht bij een muur of in een hoek kan de basweergave zodanig versterken dat de weergave onnatuurlijk wordt.

Reinigen

Gebruik geen agressieve schoonmaakmiddelen of oplosmiddelen om de Albergo+ schoon te maken.

Beperkte Garantie

Tivoli Audio maakt zijn producten volgens zeer hoge standaarden en we hebben er alle vertrouwen in dat onze producten goed presteren. Daarom geven we een beperkte garantie op dit product voor fabricagefouten in materiaal en vakmanschap voor de eerste eigenaar. Deze garantie kan niet worden overgedragen.

De minimum garantieperiode voor producten aangeschaft in de Europese Unie en Noorwegen is twee jaar. Voor landen waar de voorwaarden voor de minimale garantie wettelijk zijn vastgelegd, is de garantieperiode de wettelijk vereiste periode. Overal elders is de garantieperiode één jaar.

Deze Beperkte Garantie dekt de werking van het product voor het normale bedoelde gebruik zoals beschreven in deze handleiding. Het dekt geen slecht functioneren of schade als gevolg van onjuist of onredelijk gebruik of installatie, het gebruik van de lader voor alkaline-batterijen, defecte extra apparatuur, modificaties, ongeautoriseerde reparaties, schade of verlies bij transport, misbruik, ongelukken, gebruik bij onjuiste spanning/stroom, spanningspieken, blikseminslag of andere handelingen van God, overdadig vocht, normale slijtage, commercieel gebruik of aanschaf bij niet-geautoriseerde verkopers. Voor reparaties onder garantie kan als bewijs een aankoopbewijs van een geautoriseerde verkoper worden verlangd.

Neem contact op met de verkoper of de plaatselijke distributeur voor onderhoud of reparatie onder garantie.

Open dit product niet en haal het niet uit elkaar, omdat dit deze Beperkte Garantie ongeldig maakt. Binnenin bevinden zich geen onderdelen die u zelf kunt repareren. Tivoli Audio vergoedt geen kosten die ontstaan als gevolg van correctie van ontvangst, eliminatie van extern gegenereerde statische/ruis, tijdverlies, ongemak, verlies van gebruik van het product, of schade als gevolg van onjuist gebruik van dit product.

In het geval dat het product geretourneerd wordt tijdens de garantieperiode en in aanmerking komt voor onderhoud onder deze Beperkte Garantie, zullen we alle defecte onderdelen herstellen of vervangen binnen een redelijke tijdsperiode en zonder kosten.

DEZE BEPERKTE GARANTIE VERLEENT U SPECIFIEKE RECHTEN AFHANKELIJK VAN DE OPgegeven CONDITIES. MOGELIJK HEBT U OOK ANDERE WETTELIJKE RECHTEN DIE VAN TOEPASSING ZIJN OP HET DOOR U AANGESCHAFTE PRODUCT. DEZE WETTELIJKE RECHTEN VERSCHILLEN VAN LAND TOT LAND. SOMMIGE PLAATSEN STAAN HET UITSLUITEN, BEPERKEN OF MODIFICEREN VAN BEPAALDE IMPLICIETE RECHTEN OF HUN EFFECT NIET TOE. IN DIE GEVALLEN IS DEZE BEPERKTE GARANTIE UITSLUITEND VAN TOEPASSING VOOR ZOVER DE BETREFFENDE WET DIT TOESTAAT.

De wetten van uw land kunnen u voorzien van wettelijke aanspraken jegens de verkoper of fabrikant van dit product. Deze Beperkte Garantie beïnvloedt die rechten niet.

De voorzieningen van de Beperkte Garantie komen in plaats van andere garanties of voorwaarden, behalve welke door de wet geleverd zijn. Deze Beperkte Garantie heeft geen invloed op enige juridische rechten die u geboden worden door de wet en sluit geen remedie uit die u onder de wet hebt.

In landen waar beperkingen op de aansprakelijkheid niet wettelijk zijn uitgesloten, zal de maximale aansprakelijkheid van Tivoli Audio niet uitgaan boven de aankoopprijs die u voor het product hebt betaald. In landen waar beperkingen van aansprakelijkheid door de wet zijn uitgesloten, zal Tivoli Audio voor niet meer aansprakelijk zijn dan de rechtstreekse kosten voor lichamelijk letsel, en/of vastgoed of persoonlijke eigendommen voortvloeiend uit nalatigheid van Tivoli Audio.

Waar dit niet wettelijk is verboden, zal Tivoli Audio niet aansprakelijk zijn voor speciale, incidentele, consequentiële of indirecte schade. Op sommige plaatsen zijn beperkingen niet toegestaan op de uitsluiting of beperking van hulp, speciale, incidentele, consequentiële of indirecte schade, of de beperking van aansprakelijkheid tot opgegeven bedragen, zodat de bovenstaande beperkingen of uitsluitingen mogelijk niet op u van toepassing zijn.

Deze Beperkte Garantie is ongeldig als het etiket met het serienummer verwijderd of beschadigd is. Als u een uitgebreid onderhoudscontract hebt afgesloten bij uw verkoper en onderhoud nodig is na het verlopen van deze Beperkte Garantie, moet u contact opnemen met de aanbieder van het uitgebreide onderhoudscontract om deze dienstverlening te verkrijgen.

Voor uw gemak kunt u u w product voor garantie online registreren op onze website www.tivoliaudio.com. U bent niet wettelijk verplicht om persoonlijke informatie te geven. Deze informatie stelt ons echter in staat om bij te houden, welke producten van Tivoli Audio u bij ons hebt aangeschaft, zodat we een beter begrip krijgen van de kopers van onze producten. De verzamelde informatie zal worden gebruikt voor marketingdoeleinden door Tivoli Audio en, waar dit is toegestaan, om contact met u op te nemen in verband met de producten die u hebt aangeschaft of andere producten van Tivoli Audio of andere bedrijven die mogelijk voor u van belang zijn. De informatie die u aanbiedt, kan in andere landen worden verwerkt.

Specificaties

Model:	Tivoli Audio Albergo+
Type:	DAB/DAB+/DMB/FM wekkerradio met draadloze <i>Bluetooth</i> technologie
Luidspreker:	76,2 mm (3") luidspreker voor alle frequenties
Ontvangst:	FM:87.5-108MHz DAB (Band III)/DAB+: 174-240MHz (het exacte ontvangstbereik kan per regio verschillen)
Voeding:	12VDC nominaal - 15 VDC maximaal, 1500 mA
Netvoedingsadapter:	Tivoli Audio 1.5A- CE
FM De-emphasis:	50uSec or 75uSec (depending upon region)
Afmetingen:	110 mm H x 186 mm W x 129 mm D (4.34"H x 7.32"W x 5.22"D)
Gewicht:	1.0 kg (2.2 lbs.)

Tivoli Audio behoudt zich het recht voor om wijzigingen aan het product aan te brengen zonder bericht vooraf. Tivoli Audio, het Tivoli Audio-logo, Albergo, Albergo+ en Albergo Speaker zijn handelsmerken van Tivoli Audio, LLC. Het *Bluetooth* woordmerk en logo's zijn geregistreerde handelsmerken van Bluetooth SIG, Inc. en elk gebruik van deze merken door Tivoli Audio is onder licentie. iPod, iPod touch, iPhone, en iPad zijn handelsmerken van Apple Inc., geregistreerd in de V.S. en andere landen. Andere handelsmerken en handelsnamen zijn die van hun respectievelijke eigenaren



ALBERGO™ +

DAB/DAB+/DMB/FM Clock Radio

INNHOLDSFORTEGNELSE

Sikkerhetsinstruksjoner	104
Introduksjon; Om Tivoli Audio	107
Funksjoner front	107
Funksjoner bak	109
Fjernkontroll.....	110
Digitalradio-/ FM-/tilleggsmenyer.....	111
Slik stiller du alarmen	113
Alernalternativer	114
<i>Bluetooth</i> Drift	114
Digital Radio/FM Mottak; RDS; Plassering; Rengjøring	115
Garanti	116
Spesifikasjoner	118



Dette varselssymboler advarer mot høyspente komponenter i produktet som kan føre til elektrisk støt ved uforsiktig bruk.



Dette symbolet indikerer problemer relatert til drift og service, og henviser til viktig informasjon i medfølgende bruksanvisning.

Viktige Sikkerhetsinstruksjoner

1. Les disse instruksjonene.
2. Oppbevar disse instruksjonene.
3. Vær oppmerksom på alle advarsler.
4. Følg alle instruksjoner.
5. **FORSIKTIG** - Fare for eksplosjon hvis batteriet blir satt inn feil. Bytt bare ut med samme eller tilsvarende type.
6. **ADVARSEL:** Batterier må ikke utsettes for ekstrem varme, som sollys, ild eller lignende.
7. **ADVARSEL: BATTERI MÅ IKKE SVELGES. FARE FOR KJEMISK FORBRENNING.** Fjernkontrollen som følger med dette produktet inneholder en knapp celledbatteri. Dersom knapp celledbatteriet svelges kan det forårsake alvorlige indre brannskader i løpet av to timer og føre til dødsfall. Oppbevar nye og brukte batterier slik at barn ikke har tilgang. Bruk ikke produktet hvis batterilokket ikke kan lukkes skikkelig, og holde det unna barn. Hvis du tror batterier kan ha blitt svelget eller befinner seg inne i kroppen, oppsøk lege umiddelbart.
8. **ADVARSEL** - For å redusere risikoen for brann eller elektrisk støt, ikke utsett dette apparatet for regn eller fukt.
9. Rens kun med tørr klut.
10. Ikke blokker noen av åpningene for ventilering. Installerer i samsvar med produsentens instruksjoner.
11. Ikke installer i nærheten av noen varmekilder som for eksempel radiatorer, varmegulv, ovner, eller andre apparater (inkludert forsterkere) som produserer varme.
12. Ikke overse sikkerhetshensikten til den polariserte eller jordførende stikkontakten. En polarisert stikkontakt har to utstikkere, den ene videre enn den andre. En jordførende stikkontakt har to utstikkere, og en tredje spiss som er jordførende. Den brede utstikkeren eller den tredje spissen er tilgjort for din sikkerhet. Dersom den leverte stikkontakten ikke passer til ditt støpsel, konsulter med en elektriker om å skifte ut det foreldete støpselet.
13. Beskytt strømledningen fra å bli tråkket på eller klemt, spesielt ved stikkontakter og tilkoblingspunktene.
14. Benytt kun vedlegg/tilbehør spesifisert av produsenten.

15. Brukes kun med den tralle, støtten, tripod, braketten, eller bordet spe-sifisert av produsenten, eller som solgt sammen med apparatet. Når en vogn benyttes, utøv forsiktighet når man flytter kombinasjonen tralle/apparatet. Dette for å unngå skade ved eventuelt velt.
16. For ekstra beskyttelse av dette produktet under tordenvær, eller når det etterlates uten tilsyn og ubrukt over lengre perioder, ta ut stikkkontakten fra veggstøpselet.
17. Benytt dette produktet kun med den type strømkilde som indikert på baksidepanelet. For de produktene som bruker en ekstern strømkilde, bruk en erstatning som er lik den opprinnelige dersom tapt eller skadet. Henviser til brukermanualen for de produktene som drives av batteri.
18. Koble produktet fra veggstøpselet, og få utført reoperasjon av kvalifisert personell ved følgende tilstander:
 - a. Når ledningen eller stikkkontakten for strømtilførsel er skadet.
 - b. Når væske er sølt eller gjenstander har falt inn i produktet.
 - c. Dersom produktet har vært utsatt for vann eller regn.
 - d. Dersom produktet ikke fungerer normalt ved å følge driftsinstruksjonene.
 - e. Dersom produktet på noen måte har blitt sluppet eller skadet.
 - f. Når produktet fremviser en særegen endring i ytelse.
19. Når det er behov for erstatningsdeler, forsikre deg om at din vedlikeholdstekniker brukte erstatningsdeler som spesifisert av produsenten, eller deler som har samme egenskaper som originaldelene. Uautoriserte erstatninger kan resultere i brann, elektrisk støt eller andre farer.
20. Ved ferdigstilling av ethvert vedlikehold, be vedlikeholdsteknikeren utføre sikkerhetskontroller for å bekrefte at produktet er i riktig driftstilstand.
21. Ikke berør væsken i LCD displayet dersom dette skulle bli ødelagt.
22. Hold dette produktet i sikker avstand fra åpen flamme, som for eksempel et tent lys.
23. Apparatet skal ikke utsettes for drypping, skvetting eller produkter fylt med væske, for eksempel vaser skal ikke plasseres på apparatet.
24. Den anbefalte driftstemperaturen spenner fra 5°C to 40°C (41°F -104°F).
25. ADVARSEL – Hovedtilførselen av strøm er ikke frakoblet i stillingen av, men kretsene er uten strøm.
26. Den eksterne strømforsyningen fungerer som frakoblingsenhet og skal alltid være lett tilgjengelig.



⚠ ADVARSEL: ALBERGO+ KOMMER MED EN EKSTERN ANTENNE SOM IKKE MÅ TAS AV.



Dette produktet kan resirkuleres. Produktet som bærer dette symbolet må IKKE kastes sammen vanlig husholdningsavfall. På slutten av dets levetid, bring produktet til et oppsamlingspunkt beregnet for resirkulering av elektriske og elektroniske enheter. Finn ut mer om avhendings-og oppsamlingspunkter hos dine lokale myndigheter.

“The European Waste Electrical and Electronic Equip-ment” (WEEE) direktivet ble implementert for å dramatisk redusere mengde avfall lagt igjen på deponier, og herved redusere den miljømessige innvirkningen på jorda og den menneskelige helse. Vennligst opptre ansvarlig ved å resirkulere brukte produkter. Dersom dette produktet fremdeles kan brukes, vurder å gi det bort eller å selge det.

Albergo+ Veiledning

Gratulerer med din nye Albergo+. Vi mener at nettopp dette produktet er en av de aller beste DAB/DAB+/DMB/FM bord-radioene som tilbys på markedet i dag. Vi vet du er ivrig etter å komme i gang med lytteropplevelsen, men ta deg tid til å lese denne sikkerhets- og bruksanvisningen for å få fullt utbytte av Albergo+'s mange muligheter. Hvis du har spørsmål, kan du kontakte din lokale forhandler eller distributør.

Vi anbefaler å ta vare på emballasjen, slik at produktet kan pakkes korrekt ved eventuell forsendelse til og fra service-verksted, da garantien ikke dekker skader ved slike forsendelser.

Takk for at du valgte dette produktet fra Tivoli Audio. Vi håper at du vil få glede av Albergo+!

Om Tivoli Audio

Tivoli Audio ble grunnlagt av Tom Devesto med det formål å designe elegante produkter som kjennetegnes av kvalitet og brukervennlighet. Som administrerende direktør og leder for forskning og utvikling i sitt tidligere selskap Cambridge SoundWorks, har Tom Devesto vært ansvarlig for mangfoldige produktsuksesser på hjemmeunderholdning og -multimediamarkedet. DeVesto har også vært ansvarlig for produktutvikling i firmaene Advent og Kloss Video.

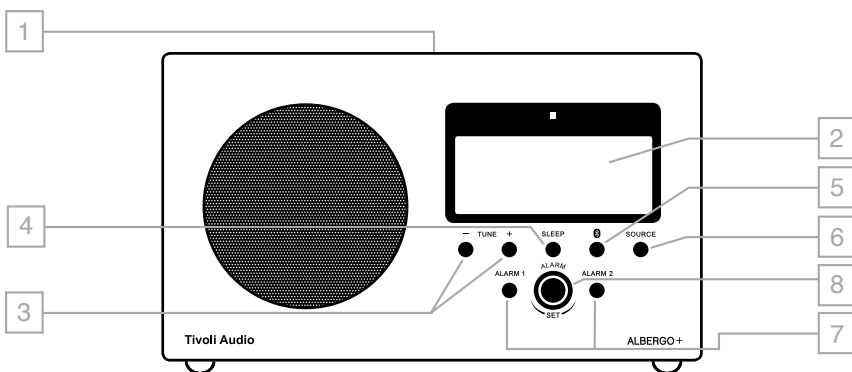
*Cambridge SoundWorks er et registrert varemerke hos Creative Labs, Singapore.

Sammen med din Albergo+ finner du:

- 1 Ekstern strømledning
- 1 Fjernkontroll (batteri installert)

Vennligst ta kontakt med forhandler eller Tivoli Audio dersom noen av delene mangler.

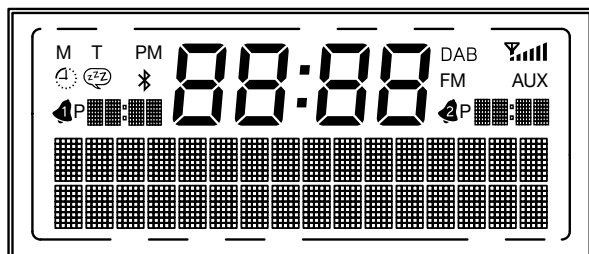
Funksjoner Front



- 1. MULTI-FUNKSJON KONTROLL HJUL (TOPP):** Dette hjulet har flere funksjoner:
 - a. Power/Av-på:** Trykk for å skru av eller på.
 - b. Volume/Lydstyrke:** Vri til høyre for økt lydstyrke. Til venstre for mindre lydstyrke.

- c. **Snooze:** Trykk to ganger når alarmen er på for å aktivere Snooze funksjonen. Et symbol (ZZ) vil vises på displayet når Snooze er aktivert. Snooze tiden er forhåndsprogrammert til 10 minutter. Hvis du trykker Snooze-knappen (slumre) en gang til mens du er i slumremodus, tilbakestilles tidtakeren for slumrefunksjonen tilbake til 10 minutter. Når alarmen lyder, trykker du og holder Snooze-knappen inne for å slå av alarmen og enheten, eller trykk den aktuelle alarmknappen.

2. LCD:



88:88: (tegn i midten): Time/Klokkeslett

AUX: Tillegg

FM: FM bånd

: Sleep timer/Innsøvningsur

: Reception level/Mottakerstyrke

: Bluetooth-modus

: Snooze timer/Snoozeur

DAB : DAB/DAB+/DMB bånd

M: Mono

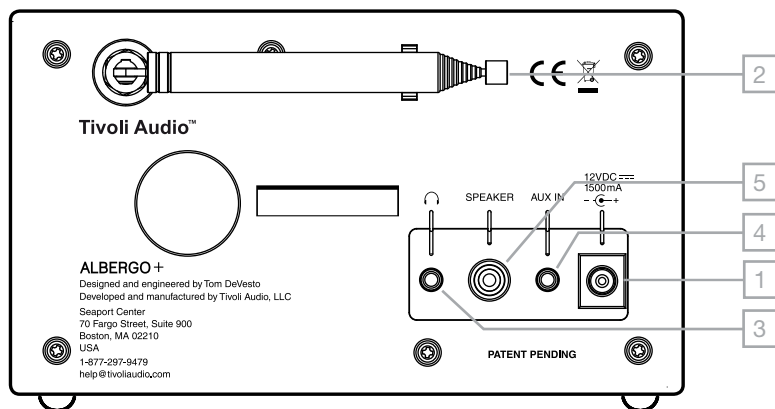
: Alarm 1 og 2

PM (kveld): Når 12-timersklokke er valgt

T: Manuell søkefunksjon

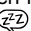



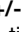
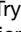
- TUNE +/-:** I DAB-modus brukes disse knappene til å vise alle tilgjengelige stasjoner for DAB/DAB+. Bruk knappene +/- til å merke bestemte stasjoner, så innstilles den merkede DAB-stasjonen automatisk etter 3 sekunder. Du kan også trykke Enter på fjernkontrollen. FM: Trykk kort på +/- knappene for å autosøke til den neste stasjonen. Se "Automatisk søk" under "FM menyen" for å se hvordan man skrur av automatisk søk og bruker manuelt søk.
- SLEEP (INNSOVNING):** Trykk flere ganger for å velge hvor lenge radioen skal spille før den slås av automatisk, og/eller trykk Select (velg) på fjernkontrollen for å velge dette. En liten klokke vil vises på displayet når denne funksjonen er aktiv. For å kansellere, trykk Sleep knappen til displayet viser "Off".
- BLUETOOTH:** Trykk for å gå til Bluetooth-modus. Les mer under «Bruke Bluetooth». Trykk og hold Bluetooth-knappen for å slette minnet av alle tilkoblede enheter. Displayet vil vise "Memory Cleared".
- SOURCE (KILDE):** Trykk gjentatte ganger for å bytte lydkilder.
- ALARM 1 OG 2:** Trykk for å angi vekketid for en av alarmene, slik at alarmen vekker deg automatisk.
- ALARBRYTER:** Når du har trykket en av alarmknappene, vrir du denne bryteren for å stille inn timen og trykker inn knappen for å velge. Deretter gjør du det samme med minuttene og trykker knappen inn når du er ferdig. Hvis ikke, innstilles alarmtidspunktet automatisk etter 3 sekunder. Alarmen er nå stilt på vekking. Vekketiden for hver alarm vises på displayet. Trykk den aktuelle alarmknappen igjen for å oppheve alarmen. **Les også «Slik stiller du alarmen via hovedmenyen» for å finne flere, svært viktige alarminnstillinger.**

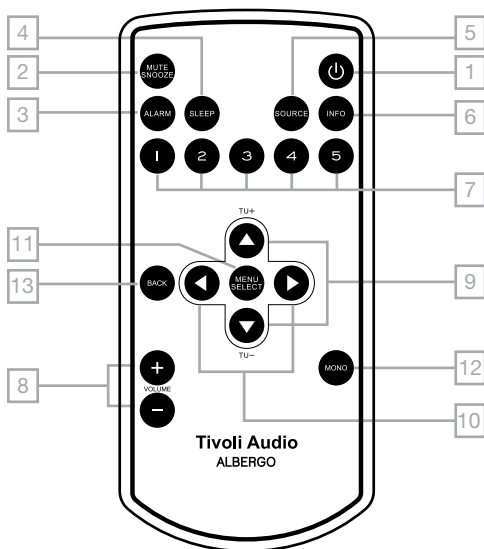
Funksjoner Bak



- 12VDC/1500mA:** Bruk denne inngangen for strømtilkobling. **Benytt kun adapter med strømkabel som medfølger.** Dersom delen skades eller ødelegges, må den erstattes med original del. Annet utstyr kan medføre sikkerhetsrisiko. En eventuell likestrømsadapter som brukes, må oppfylle kravene i EN/IEC 60065 og være klassifisert som 12 V likestrøm, 1500 mA og 230 V 50 Hz (avhengig av lokale strømkrav). Bruk av en likestrømsadapter som ikke er anbefalt av produsenten eller som ikke oppfyller denne spesifikasjonen, kan utgjøre en sikkerhetsrisiko. Adapteren må være 5.5mm/2.1mm center positive. Det er normalt at strømforsyningen blir varm under bruk.
- EKSTERN ANTENNE:** Den eksterne teleskop antennen er fastmontert, og skal ikke tas av. Juster for bedre mottak. Se for øvrig "Digital radio/FM mottak".
- HEADPHONE OUT/UTGANG HODETELEFONER:** Kobl til hodetelefoner til denne stereo utgangen. Hodetelefonene vil dempe hovedhøytaleren. Volumet justeres med kontrollhjulet eller fjernkontrollen. Mono knappen på fjernkontrollen kan også brukes hvis ønskelig. Denne utgangen tar vanlig jack-plugg. Høyt volum i hodetelefonene kan skade hørselen.
- AUX IN:** Til bruk av annen lydkilde, som f.eks. Tivoli Audio's Model CD, a MP3 spiller eller TV, kobl mini hann-plugg til denne stereo inngangen og bytt lydkilde knappen til Auxiliary. Merk at lydnivået kan variere.
- R-SPR:** Kobl hann-plugg på R-SPR kabel fra Tivoli Audio Albergo Stereo Speaker (ekstrautstyr) til inngang (hunn-plugg). Pass på at stereo-innstillingen er på ved å trykke på Mono-knappen på fjernkontrollen til displayet viser "ST" og ikke "M" for mono.

Funksjoner Fjernkontroll

- POWER (AV/PÅ):** Trykk lett for å skru av eller på.
- MUTE/SNOOZE (STILLE SLUMRE):** Trykk for å dempe lyden helt (lydstrekene på displayet forsvinner). Trykk igjen for å gjenopprette lyd eller justere lydstyrke. Trykk for å stille alarmen ytterligere 10 minutter etter at den har slått seg på. Et Snooze  tegn vil vise seg når denne funksjonen er aktiv. Det er ikke mulig å justere Snooze tiden. Hvis du trykker Snooze-knappen (slumre) en gang til mens du er i slumremodus, tilbakestilles tidtakeren for slumrefunksjonen tilbake til 10 minutter.
- ALARM:** Bruk   og velg knappene for å justere og stille alarmen. **Les også «Slik stiller du alarmen via hovedmenyen» for å finne flere, svært viktige alarminnstillinger.**
- SLEEP (INNSOVNING):** Trykk flere ganger for å velge hvor lenge radioen skal spille for den slås av automatisk, og/eller trykk Select (velg) på fjernkontrollen for å velge dette. En liten klokke  vil vises på displayet når denne funksjonen er aktiv. For å kansellere, trykk Sleep knappen til displayet viser "Off".
- SOURCE (KILDE):** Trykk gjentatte ganger for å bytte lydilder.
- INFO:** Trykk gjentatte ganger for å bla igjennom informasjonen som er tilgjengelig avhengig av hvilken kilde du har valgt.
- PRESETS 1-5 (FORHÅNDSINNSTILLING 1-5):** Trykk og hold for å lagre kanalen som spilles. Trykk lett for å hente opp kanalen lagret under dette nummeret. Når FM-båndet er i bruk, vil forhåndsinnstillingene vises på displayet. Det finnes muligheter for fem forhåndsinnstillinger på hvert bånd.
- VOLUME +/-:** Trykk knappen Volume + for å øke lydstyrken, eller Volume – for å redusere lydstyrken. Hvis lyden noen gang høres forvrengt ut, skal du redusere lydstyrken for å unngå å skade høyttaleren. Dersom Mute-funksjonen er på, vil bruk av volumknappene oppheve denne.
- ▲▼/TUNE +/-:** Trykk for å justere menyvalgene. I DAB-modus brukes disse knappene til å vise alle tilgjengelige stasjoner for DAB/DAB+. Bruk knappene   til å merke bestemte stasjoner, så innstilles den merkede DAB-stasjonen automatisk etter 3 sekunder. Du kan også trykke Enter på fjernkontrollen. FM: Trykk kort på +/- knappene for å autosøke til den neste stasjonen. Se "Automatisk søk" under "FM menyen" for å se hvordan man skrur av automatisk søk og bruker manuelt søk.
- ◀▶:** Høyre pil dupliserer Select knappen. Venstre pil tar deg til forrige side i visse menyer.
- MENU/SELECT (MENY/VALG):** Trykk og hold for å komme inn på hovedmenyen. Trykk lett igjen for å valg på menyen. Les mer om DAB-, FM- og tilleggsmenyen nedenfor under «Meny».



12. **MONO:** Trykk for å endre Stereo/Mono innstilling. Displayet vil vise "M" for mono eller "ST" for stereo. Denne innstillingen påvirker også hodetelefonutgangen. Se for øvrig "Digital radio/FM mottak"

13. **BACK (TILBAKE):** Trykk for å gå tilbake til forrige meny-side.

Merk: Med Albergo+ i standby kan du kontrollere skjermens bakgrunnsbelysning uten å måtte slå på Albergo+ og gå inn på menyen. Trykk ▲ på fjernkontrollen to ganger for å slå av bakgrunnslyset. Trykk ▲ på fjernkontrollen to ganger for å slå på bakgrunnslyset i 10 sekunder. Trykk ▲ på fjernkontrollen to ganger til for å gjenopprette bakgrunnsbelysningen.

Meny for digitalradio (DAB/DAB+)

I DAB-modus: Trykk og hold Menu-knappen (meny) inne på fjernkontrollen for å gå til hovedmenyen. Bruk ▲▼ knappene og Select knappen for å bytte emnene på menyen. Bruk Back knappen for å bla tilbake.

En stjerne (*) indikerer at det viste menyvalget er i bruk.

Merk: Hvis stasjonslisten er tom når du går til digitalradiomodus, startes en automatisk skanning.

Merk: Hovedmenyen får tidsavbrudd hvis du ikke gjør noe innen ni sekunder.

1. **AUTO SCAN/AUTOMATISK SØK:** Søker på hele frekvensen. Dersom du flytter på Albergo+, må du utføre et nytt søk for at radioen skal finne kanaler tilpasses plasseringen. For å kansellere autosøket, trykk Back knappen på fjernkontrollen.
2. **TIVOLI EQ:** Trykk og velg Select knappen og bruk ▲▼ og Select knappen for å justere bass og diskant. De justerte verdiene vil vises i "User EQ". Trykk på Select knappen for å skru på eller av Loudness. Det anbefales å bruke denne funksjonen når lydvolument er lavt da det kan forekomme forvrengninger ved høyt volum. Bruk ▲▼ og Select knappen for å aktivere EQ forhåndsinnstillinger. En forhåndsinnstilt EQ vil overstyre alle bass og diskant innstillinger, mens Loudness ikke berøres. "Flat" EQ gjenoppretter fabrikkinnstillingene som innebærer at bass og diskant vil tilbakestilles til null. "Flat" EQ slår også av Loudness. Dersom bass og diskant nivået har blitt justert, vil disse innstillingene fremdeles vises i "User EQ". Ved bare å velge "User EQ", vil bass og diskant innstillingene bli aktivert. På EQ meny-siden, indikerer tallene på høyre side bass og diskant nivået.
3. **MANUELT SØK:** Trykk ▲▼ knappene for manuelt søk. Trykk deretter Select knappen for å stille inn frekvensen. Den merkede DAB-stasjonen innstilles automatisk etter 3 sekunder, eller du kan trykke Enter på fjernkontrollen.
4. **DRC:** Dynamic Range Control gir deg muligheten til å justere lyden slik at lav lyd kan avspilles høyere for å kompensere for bakgrunnsstøy eller ved lytting på lavt volum.
5. **SETTINGS (A-F):**

A. **ALARM:** Se «Slik stiller du alarmen via hovedmenyen».

B. TIME

Innstilling Tid/Dato: Trykk Select knappen og bruk ▲▼ og Select knappene for å stille inn time og minutter. Du må også sette Auto update på "No update". Se for øvrig "Auto update".

Auto Update (Automatisk oppdatering): Trykk Select knappen og bruk ▲▼ og Select knappene for å velge mellom "Update from DAB" (også DMB), eller "Update from FM" (RDS). For at noen av de automatiske oppdateringene skal virke, må du ha et vedvarende godt mottak av DAB eller FM RDS med klokke/dato signal. Det kan ta opptil ett minutt eller mer for at klokken oppdateres. Tivoli Audio er ikke ansvarlig dersom det forekommer unøyaktig tids/dato-informasjon under den automatiske op-

pdateringen. For å stille klokken manuelt, velg "No Update", og deretter "Set Time/Date" under "Time" menyen ved å bruke ▲▼ eller ◀▶ knappene og Select knappen for å stille inn timer. Repeter for minutter og trykk Select for å lagre.

Innstilling 12/24 klokkeslett: Trykk Select knappen og bruk ▲▼ for å vise klokkeslett i 12 eller 24 timers format.

Dato format: Trykk Select knappen og bruk ▲▼ og Select knappen for å velge foretrukket dato format.

C. BACKGROUNDLIGHT/BAKGRUNNSLYS:

Timeout: Du kan velge om bakgrunnslyset skal være konstant (i henhold til fabrikkinnstilling) uansett bruk av fjernkontroll og knapper, eller om du vil dempe det etter eget behov. Bakgrunnslyset kan dempes automatisk etter en tidsinnstilling så lenge ingen kontrollenheter benyttes. Trykk Select og bruk ▲▼ og Select knappen for å velge tid for skifte mellom vanlig bakgrunnsbelysning og dempet belysning. Du kan velge 10, 20, 30, 45, 60, 90, 120, eller 180 sekunder, eller velge å slå av Timeout knappen.

On Level(Lysintensitet i På-Modus): Trykk Select og bruk ▲▼ og Select knappene for å velge lysintensitet.

Dim Level(Lysintensitet i dempet modus): Dersom du har valgt egen innstilling for demping av bakgrunnsbelysningen, kan du også velge lysintensiteten på denne. Trykk Select og bruk ▲▼ og Select knappene for å velge intensitet.

- D. **LANGUAGE/SPRÅK:** Trykk Select og bruk ▲▼ og Select knappen for å velge språk.
- E. **FACTORY RESET /FABRIKKINNSTILLING:** Trykk Select og bruk ▲▼ eller ◀▶ og Select knappene for å bekrefte (Yes) eller avvise (No) fabrikkinnstillingen. En gjenoppretting av fabrikkinnstillingene vil slette alle personlige data som eksempelvis forhåndsinnstillinger og språk. Also see the section marked "Digital Radio/FM Reception".
- F. **ID:** Trykk Select for å se ID. Dette nummeret kan være nyttig dersom du for eksempel kontakter en forhandler eller Tivoli Audio med forespørsel om produktet.

FM-meny

I FM-modus: Trykk og hold Menu/Select-knappen (meny/velg) inne på fjernkontrollen for å gå til hovedmenyen. Bruk ▲▼ knappene og Select knappen for å bytte emnene på menyen. Bruk Back knappen for å bla tilbake. En stjerne (*) indikerer at det viste menyvalget er i bruk.

Merk: Hovedmenyen får tidsavbrudd hvis du ikke gjør noe innen ni sekunder.

1. **SCAN SETTING/ BLA IGJENNOM:** Trykk og hold Select knappen og bruk ▲▼ and Select knappen for å velge mellom "Strong stations only"(bare sterke signaler) eller "All stations"(alle kanaler) ved autosøk. (se #9 (▲▼/Tune +/-) under "Fjernkontroll". Hvis du velger alle stasjoner, øker sensitiviteten ved skanning, slik at den automatiske skanningen kan stoppe ved støy.
2. **AUTO SCAN/AUTOSØKING (IKKE PÅ AUX MENY):** Trykk på Select-knappen og bruk ▲▼ and Select knappene for å velge mellom "Strong stations only" (kun sterke stasjoner), "All stations (alle stasjoner)", eller "Off" (av) når du utfører et autosøk (se punkt 9 (Tune + / -) under "Fjernkontroll "). Ved å velge "Alle stasjoner" økes følsomheten for skanning som kan resultere i at autosøkingen stopper på lyd. Valg av "Off" (av) slår autosøkningen av og tillater manuell innstilling av stasjonene.
3. **RDS:** Trykk Select (velg) og bruk knappene ▲▼ og Select til å aktivere eller deaktivere RDS-tekst for FM. Les mer under «RDS».
4. **TIVOLI EQ:** Les beskrivelsen under «Meny for digitalradio».
5. **INNSTILLINGER:** Les beskrivelsen under «Meny for digitalradio».

Tilleggsmeny

I tilleggsmodus: Trykk og hold Menu/Select-knappen (meny/velg) inne på fjernkontrollen for å gå til hovedmenyen. Bruk ▲▼ knappene og Select knappen for å bytte emnene på menyen. Bruk Back knappen for å bla tilbake. En stjerne (*) indikerer at det viste menyvalget er i bruk.

Merk: Hovedmenyen får tidsavbrudd hvis du ikke gjør noe innen ni sekunder.

1. **TIVOLI EQ:** Les beskrivelsen under «Meny for digitalradio».
2. **ALARM 2:** Hvis du ikke regner med å bruke alarm 2 eller er redd for å stille den ved en tiltakelse, kan du trykke knappen Select (velg) og bruke knappene ▲▼ og Select til å deaktivere alarm 2.
3. **INNSTILLINGER:** Les beskrivelsen under «Meny for digitalradio»..
4. **GRENSE FOR LYDSTYRKE:** Hvis du vil redusere maksimal lydstyrke for å unngå å forstyrre andre, kan du trykke knappen Select (velg) og bruke knappene ▲▼ og Select til å velge lydstyrkegrense 26 eller 22. Hvis du velger «Off» (av), vil maksimal lydstyrke være fabrikkens standardinnstilling, som er 30. Hvis du reduserer den generelle lydstyrken, reduseres også lydstyrken på alarmer når den lyder.
5. **BLUETOOTH NIVÅ:** Hvis du ønsker å minske rekkevidden av *Bluetooth*-signalet, bruk ▲▼ og Select-knappene for å velge "Low". Dette er ønskelig hvis *Bluetooth* funksjonen bare brukes når du befinner deg i nærheten av radioen. Vi anbefaler at denne innstillingen står i "Normal" posisjon.

Slik kan du endre alarminnstillingene og stille alarmer via hovedmenyen

1. Når Alberg+ er slått på, går du til alarminnstillingen via hovedmenyen i DAB-, FM- eller tilleggsmodus ved å trykke og holde inne knappen Menu (meny) på fjernkontrollen. Velg «Settings» (innstillinger) og «Alarm» når du kommer inn i menyen.
2. Alarm 1 vises først. Bruk ▲▼ og Select knappen for å velge mellom Alarm 1 og Alarm 2. Merk: Du kan når som helst navigere deg gjennom alarmmenyen ved å bruke Back eller venstre pilene og Select og høyre pilene.
3. Bruk ▲▼ og Select knappene for å sette alarmer på eller av.
4. Bruk ▲▼ knappene til å velge/endre time. Trykk deretter Select. Gjenta dette for å velge/endre minutter, fulgt av AM/PM dersom du bruker 12 timers format. Trykk Select.
5. Bruk ▲▼ knappene for å velge kilde, trykk Select. Dersom du velger DAB (inkludert DAB+/DMB) eller FM, bruk ▲▼ knappene for å velge kanal. Trykk Select.
6. Bruk ▲▼ knappene for å velge hvor mange ganger du vil at alarmer skal virke. Trykk Select.
7. Til slutt, bruk ▲▼ knappene for å stille inn lydnivå på alarmer. Trykk Select. For å være sikker på at det er lyd når alarmer aktiveres kan volumnivået ikke innstilles under et minimalt nivå. Hvis aktivert vil funksjonen "Volume Limit" (volumbegrensning) under Auxiliary-menyen også påvirke volumnivået på alarmer.
8. Gjenta denne prosessen for Alarm 2 hvis du ønsker det.

Dersom du gjør feil på ett eller annet tidspunkt, kan du når som helst trykke på Back knappen på fjernkontrollen for å begynne på nytt igjen.

Merk: Dine innstillinger vil ikke bli lagret dersom du ikke fullfører hele prosessen og displayet viser "Alarm Saved".

Merk: Dersom du velger DAB som kilde og den kanalen du sist lyttet til ikke gir signal, vil du bli vekket av vanlig alarmlyd.

Strøbrudd: Hvis det inntreffer strøbrudd eller Albergo+ frakobles, lagres alarmtidspunktet, men alarmen i Albergo+ kan ikke avgi lyd uten strøm.

Alarm Valg

Alarmen slår seg på med en gradvis høyere lyd. Når alarmen går av, kan du aktivere Snooze knappen eller slå den av.

Snooze: For å aktivere Snooze mens alarmen går, trykk Snooze knappen på fjernkontrollen eller trykk lett på multifunksjonshjulet på toppen av radioen. Du kan ikke endre Snooze tiden.

Alarm Av: For å deaktivere alarmen mens den går, trykk Alarm eller Power knappen på fjernkontrollen. Eller trykk og hold multifunksjonshjulet på toppen av radioen.

Alarm Quick Set: Med Albergo+ i dvale, trykk alarmknappen gjentatte ganger for å skru av eller på hver enkelt alarminnstilling.

Bluetooth Drift

Før synkronisering, bekreft at din enhet støtter *Bluetooth* versjonen 2.1+EDR A2DP, og at din enhet ikke er tilkoblet noe annet *Bluetooth* produkt. Enheter kan synkronisere forskjellig. Nedenfor finner du en generell guide.

1. Trykk *Bluetooth*-knappen på frontpanelet på Albergo+, eller bytt kilde til *Bluetooth*. Dette vil skru på *Bluetooth*. Skru volumet til omtrent ¼ ved oppstart. I tillegg, skru opp volumet på kildeenheten (enheden som du streamer fra).
2. Skru på *Bluetooth* trådløs teknologi på din aktiverte enhet.
3. Velg "Tivoli *Bluetooth* (Not Paired)" når det fremkommer på skjermen på din enhet. Dette for å starte søk. Noen enheter vil be deg føre inn et PIN-nummer. Dersom så er tilfelle, før inn "0000". "Tivoli *Bluetooth*" kommer til å endre status fra "Not Paired" (ikke synkronisert) til "Connected" (synkronisert).
4. Du kommer til å høre en ringetone fra Albergo+ som bekrefter tilkobling, og du kan nå begynne trådløs avspilling av dine musikkfiler. Juster volumet på din enhet. Du skal ikke behøve å synkronisere din enhet på ny. **Du må kanskje foreta flere forsøk på synkronisering med, og/eller oppkobling til, Albergo+.** Dette avhenger av din enhet. Men vennligst gi enheten din adekvat tid til å synkronisere eller koble til før du gjentar prosessen.

Synkronisering Av En iPhone/iPod Touch/iPad Som Er Aktivisert Med *Bluetooth* Trådløs Teknologi

1. Trykk *Bluetooth*-knappen på frontpanelet på Albergo+, eller bytt kilde til *Bluetooth*. Dette vil skru på *Bluetooth*. Skru volumet til omtrent ¼ ved oppstart. I tillegg, skru opp volumet på kildeenheten (enheden som du streamer fra).
2. Velg "Settings" (Innstillinger) (avhengig av enhetens programvareversjon).
3. Velg "General" (Generelt).
4. Velg "*Bluetooth*".
5. Skru *Bluetooth* "On" (på) for å starte søk.
6. Velg "Tivoli *Bluetooth* (Not Paired)" når det fremkommer på skjermen. Dersom du blir bedt om å føre inn et PIN-nummer, før inn "0000". "Tivoli *Bluetooth*" kommer til å endre status fra "Not Paired" (ikke synkronisert) til "Connected" (synkronisert).

7. Du kommer til å høre en ringetone fra Albergo+ og du kan nå begynne trådløs avspilling av dine musikkfiler. Juster volumet på din enhet. Du skal ikke behøve å synkronisere din iPhone/iPod/iPad på ny.

Volumets utgangsnivå varierer for de forskjellige musikkfiler. Dersom du foretrekker et høyere utgangsnivå på volumet, kontroller innstillingene på din iPhone/iPod touch/iPad: Still EQ til av, lydtest til av og volumnivået til av.

Dersom det oppstår et problem med synkroniseringen, på skjermen til din iPhone/iPod touch/iPad, trykk på den lille pilen på høyre side på "Tivoli *Bluetooth*", og velg "Forget this device" (glem denne enheten). Deretter gjenta synkroniseringsprosessen. **Du må kanskje foreta flere forsøk på synkronisering med, og/eller oppkobling til, Albergo+. Dette avhenger av din enhet. Men vennligst gi enheten din adekvat tid til å synkronisere eller koble til før du gjentar prosessen.**

Ved streaming av musikk, så kan du på skjermen til iPhone/iPod touch/iPad trykke på den blå pilen på høyre side av knappen for neste musikkfil >>. Dette for å alternere mellom iPhone/iPod/iPad og *Bluetooth*.

VIKTIG INFORMASJON:

- Albergo+ husker synkroniseringsinformasjon for inntil 8 enheter. Flere enheter kan synkroniseres, men den enheten som ble benyttet for lengst tid siden, vil erstattes av den nylig synkroniserte enheten.
- Dersom lyden faller ut eller stanser under avspilling, flytt enheten nærmere Albergo+ eller kontroller at ingen annen trådløs enhet forstyrrer signalet.
- Når du bytter fra *Bluetooth* til AM eller FM, så må du muligens justere (senke) radioens volumnivå.

Digital Radio/FM Mottak

Den medfølgende eksterne antennen sørger for godt mottak. I områder hvor FM signalet er sterkt, kan det lønne seg å redusere antennelengden for bedre mottak.

Dersom du bruker Albergo+ sammen med Albergo Stereo Speaker for stereolyd og FM mottaket er støyende, trykk Mono knappen på fjernkontrollen for å forbedre mottaket. Displayet viser en "M" i mono og "ST" i stereo. Denne informasjonen vises også i FM innstilling når man trykker på Info knappen på fjernkontrollen.

Bygninger av betong, stål eller aluminium, forringer mottak. Bygninger av betong, stål eller aluminium, forringer mottak. Elektriske husholdings apparater likeså. Flytt Albergo+ vekk fra den forstyrrende kilden eller bytt stikkontakt som eventuelt deles med den.

Merk: Hvis du skal flytte Albergo+ til et annet sted der DAB-stasjonene kanskje er annerledes enn på forrige sted, bør du tilbake stille til fabrikkinnstillingene for å starte en ny skanning og oppdatere listen over DAB-stasjoner.

Dab Display Beskjeder

Secondary Services: Sekundære kanaler vil vises med et >> symbol ved siden av kanalen. Sekundær tjenesten er ikke tilgjengelig i alle områder.

"?": Spørsmålsteget indikerer at kanalen ikke er tilgjengelig eller ikke i bruk.

"Not Available": Viser når en DAB-kanal ikke har kraftig nok signal.

Rds (Bare For FM)

Radio Data System (RDS) sender tekstinformasjon sammen med sendingen. Ikke alle FM kanaler har denne funksjonen. For kanaler som benytter seg av RDS, er det mulig at teksten ikke vises eller vises bare delvis. Forsøk å flytte på FM antennen. Dersom RDS mottas, trykk på Info knappen gjentatte ganger for å den tilgjengelige informasjonen. RDS innholdet blir fastsatt av hver enkelt FM kanal.

Plassering

Sett Albergo+ på et flatt og stødig underlag. Pass på at bassporten bak ikke blir sperret. Albergo+ er ikke magnetisk skjermet og bør holdes på minst 127 mm avstand fra slike kilder. Plassering i bokhyller, skap eller nær vegger eller hjørner kan forsterke bassen og skape en unaturlig lyd.

Rengjøring

Bruk aldri sterke rengjøringsmidler på din radio.

Begrenset Garanti

Tivoli Audio produserer sine produkter etter veldig høye standarder, og vi er sikre på at de fungerer bra. Derfor gir vi en begrenset garanti til eieren av dette produktet. Produktgarantien gjelder eventuelle produksjonsfeil vedrørende materiale og bearbeidelse. Denne garantien er ikke overførbar.

Produkter kjøpt innen EU og Norge har en minimum garanti pålydende to år. For land hvor regler for minimumsgaranti er fastsatt ved lov, etterfølger garantiperioden det som loven krever. Alle andre steder, er garantiperioden pålydende ett år.

Denne begrensede garantien dekker funksjonaliteten til produktet for dets normale, beregnet bruk som spesifisert i denne eiermanualen. Den dekker ikke en funksjonsfeil eller skade som har oppstått fra uriktig eller urimelig bruk eller installasjon, bruk av laderen til å lade alkaliske batterier, feil på hjelpeutstyr, modifikasjoner, uautorisert reparasjon, skade eller tap under frakt, misbruk, ulykker, bruk av uriktig strømspenning, overspenninger, lynnedslag eller andre hendelser fra naturens side, for mye fuktighet, normal slitasje ved daglig bruk, kommersiell bruk eller kjøp fra uautoriserte for- handleere. Bevis på kjøp som viser at enheten ble kjøpt fra en autorisert forhandler, vil sannsynlig kreves fremlagt ved vedlikehold ifølge garanti.

Vedrørende vedlikehold eller reparasjon ifølge garanti, vennligst kontakt forhandleren som du kjøper enheten fra eller en lokal distributør.

Vennligst avstå fra og åpne dette produktet eller ta det fra hverandre, da dette vil ugyldiggjøre denne begrensede garantien. Det finnes ingen deler på innsiden som kan repareres av bruker. Tivoli Audio betaler ikke for kostnader som har oppstått grunnet korreksjon av problemer med mottak, elimine- ring av eksternt oppstått stasisitet/støy, tap av tid, uleiligheter, tap av benyttelse av produkt eller skade forårsaket av uriktig bruk av produktet.

Dersom produktet er returnert under garantiperioden og har krav på vedlikehold ifølge den begren- sede garantien, vil vi reparere eller erstatte enhver defekt del innen en rimelig tidsperiode og uten kostnad.

DENNE BEGRENSEDE GARANTIEN GIR DEG SPESIFIKKE LOVPÅLAGTE RETTIGHETER IFØLGE ANGITTE BETINGELSER. DET KAN VÆRE AT DU HAR ANDRE LOVPÅLAGTE RETTIGHETER OGSÅ SOM GJELDER DET PRODUKTET DU HAR ANSKAFFET DEG. DISSE LOVPÅLAGTE RETTIGHETENE VARIERER FRA LAND TIL LAND. NOEN STEDER TILLATER

IKKE UTELATELSE, RESTRIKSJON ELLER MODIFISERING AV BESTEMTE UNDERFORSTÅTTE RETTIGHETER ELLER DERES EFFEKT. I SLIKE SITUASJONER VIL DENNE BEGRENSEDE GARANTIE IKKE GJELDE TIL DEN GRADEN SOM DEN GJELDENDE LOVEN TILLATER.

Lovene i ditt land kan gi deg lovpålagte krav mot selgeren eller produsenten av dette produktet. Denne begrensede garantien påvirker ikke disse rettighetene.

Den begrensede garantiens avsetninger er i stedet for alle andre garantier eller forhold, bortsett fra de som er nedskrevet i lov. Denne begrensede garantien påvirker ikke noen lovpålagte rettigheter som er gitt deg, og hindrer ikke noe rettsmiddel du måtte ha ifølge lov.

I land hvor regler vedrørende erstatningsansvar ikke er fastsatt ved lov, skal erstatningssummen fra Tivoli Audio aldri overskride kundens innkjøpspris. I land hvor regler vedrørende ansvar hindres av lov, er Tivoli Audio kun ansvarlig for det som har med direkte fysisk skade å gjøre, og/eller ekte eller personlig eiendom oppstått grunnet uaktsomhet fra Tivoli Audio.

Hvor det ikke er forbudt ifølge lov, skal Tivoli Audio ikke være erstatningsansvarlig for spesielle, tilfeldige eller indirekte skader. I noen land tillates ikke begrensninger av forbrukerrettigheter eller regler for lindring, spesiell, tilfeldig, følge- eller indirekte skader, eller begrensningen av ansvar for spesifiserte beløp, så begrensningene eller utelatelsetene ovenfor gjelder kanskje ikke for deg.

Denne begrensede garantien ugyldiggjøres dersom etiketten som bærer serienummeret er fjernet eller er uleselig.

Dersom du kjøpte en utvidet vedlikeholdskontrakt fra din forhandler og vedlikehold behøves etter utløpet av denne begrensede garantien, vennligst kontakt forhandleren som du kjøpte kontrakten fra for å be om vedlikehold.

For din bekvemmelighet, kan du registrere ditt produkt for vedlikehold ifølge garanti. Dette gjør du på vår hjemmeside www.tivoliaudio.com. Det er ingen lovpålagt plikt som sier at du må oppgi personlig informasjon. Likevel, slik informasjon tillater oss å opprettholde dokumentasjon på produktene ervervet av deg fra Tivoli Audio, og gjør at vi kan bedre forstå kjøperne av våre produkter. Informasjonen som innhentes vil benyttes til markedsføringsformål av Tivoli Audio og, hvor tillatt, kontakte deg vedrørende produktene du har ervervet, eller vedrørende andre produkter fra Tivoli Audio eller andre firmaer som kan ha interesse for deg. Informasjonen som du oppgir kan muligens bli behandlet i et annet land.

Spesifikasjoner

Modell:	Tivoli Audio Albergo+
Type:	DAB/DAB+/DMB/FM klokke radio med <i>Bluetooth</i> trådløs teknologi
Drivere:	En 76.2 mm (3") full tone prosessor
Båndbredde:	FM:87.5-108MHz DAB (Band III)/DAB+: 174-240MHz (stedsavhengig)
Styrke:	12VDC nominal – 15VDC maksimum, 1500mA
Strømforsyning:	Tivoli Audio 1.5A- CE
FM De-Emphasis:	50uSec or 75uSec (stedsavhengig)
Dimensjoner:	110 mm H x 186 mm W x 129 mm D (4.34"H x 7.32"W x 5.22"D)
Vekt:	1.0 kg (2.2 lbs.)

Tivoli Audio forbeholder seg retten til å endre alle spesifikasjoner uten forhåndsinformasjon. Tivoli Audio forbeholder seg likeledes retten til produktendringer på samme premisser. Tivoli Audio, Tivoli Audio logoen, Albergo, Albergo+, og Albergo Speaker er registrerte varemerker som tilhører Tivoli Audio, LLC. *Bluetooth* ordmerke og logoer er registrerte varemerker eiet av Bluetooth SIG, Inc. og enhver bruk av sådane merker av Tivoli Audio er gitt med lisens. iPod, iPod touch, iPhone, og iPad er varemerker for Apple Inc., registrert i USA og andre land. Andre varemerker og handelsnavn er tilhørende andre respektive eiere.



This manual was written by Peter Skiera and cannot be reproduced in whole or in part without the permission of Tivoli Audio. The information included within this owner's manual was accurate at the time of printing. Tivoli Audio shall not be held liable for operational, technical, or editorial errors/omissions.

For more information about other exciting products from Tivoli Audio, please visit our website or contact us directly (in English):

Tivoli Audio, LLC
Seaport Center
70 Fargo Street, Suite 900
Boston, MA 02210 USA
1.877.297.9479 (US only)
1.617.345.0066
www.tivoliaudio.com
help@tivoliaudio.com

A+CE081313

Tivoli Audio™