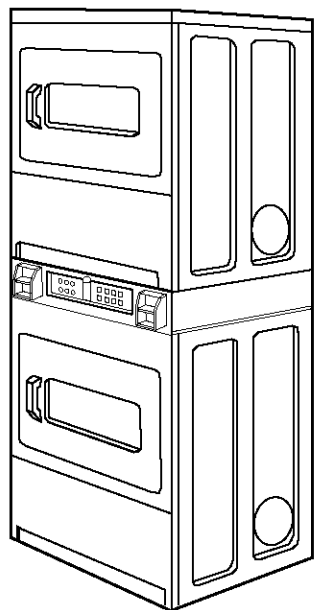


SEARS



OWNER'S MANUAL and INSTALLATION INSTRUCTIONS for Electric and Gas Commercial Stacked Dryer



SEARS, ROEBUCK AND CO.
Hoffman Estates, IL 60179

www.sears.com

TABLE OF CONTENTS

Dryer Safety	2
Installation Instructions	3
Electrical requirements	4
Gas requirements	10
Exhaust requirements	12
Recessed area/closet installation	14
Other Installation	15
Operating the dryer	18
Troubleshooting	19
Service and Assistance	24

For Sears warranty information or to contact a Sears Service Center, call 1-800-4-MY HOMESM (1-800-469-4663).

IMPORTANT: Read and follow all safety, installation, and operating instructions before first use of this product.

If you need SERVICE or PARTS for your Kenmore coin-operated dryer:

When requesting service, be ready to give the model number, serial number (located on a tag in the door well behind the door) and date of purchase. Record below.

Model No. _____

Serial No. _____

Date of Purchase _____

Record Coin Box

Key Number _____

Key number is on key and/or coin box.

Before you start...

Your safety and the safety of others are very important.

We have provided many important safety messages in this manual and on your appliance. Always read and obey all safety messages.



This is the safety alert symbol.

This symbol alerts you to potential hazards that can kill or hurt you and others.

All safety messages will follow the safety alert symbol and either the word "DANGER" or "WARNING". These words mean:

⚠ DANGER

You can be killed or seriously injured if you don't immediately follow instructions.

⚠ WARNING

You can be killed or seriously injured if you don't follow instructions.

All safety messages will tell you what the potential hazard is, tell you how to reduce the chance of injury, and tell you what can happen if the instructions are not followed.

Dryer Safety

WARNING: For your safety the information in this manual must be followed to minimize the risk of fire or explosion or to prevent property damage, personal injury or death.

- **Do not store or use gasoline, or other flammable vapors and liquids in the vicinity of this or any other appliance.**
- **WHAT TO DO IF YOU SMELL GAS:**
 - **Do not try to light any appliance.**
 - **Do not touch any electrical switch; do not use any phone in your building.**
 - **Clear the room, building or area of all occupants.**
 - **Immediately call your gas supplier from a neighbor's phone. Follow the gas supplier's instructions.**
 - **If you cannot reach your gas supplier, call the fire department.**
- **Installation and service must be done by a qualified installer, service agency or the gas supplier.**

⚠ WARNING



Explosion Hazard

Keep flammable materials and vapors, such as gasoline, away from dryer.

Place dryer at least 18 inches (45.8 cm) above the floor for a garage installation.

Failure to do so can result in death, explosion, or fire.

If installing a GAS dryer:

the purchaser must post, in a prominent location, instructions for the customer's use in the event the customer smells gas. This information should be obtained from your local gas supplier.

FOR YOUR SAFETY

Do not store or use gasoline or other flammable vapors and liquids in the vicinity of this or any other appliances.

It is your responsibility to:

Observe all governing codes and ordinances.

Check code requirements: Some codes limit or do not permit installation of clothes dryers in garages, closets, bathrooms or sleeping quarters. Contact your local building inspector.

Comply with the installation specifications and dimensions.

Consider spacing requirements for companion appliances.

Make sure you have everything necessary for proper installation.

Properly install dryer.

Contact a qualified installer to insure that the electrical and gas installations meet all national and local codes and ordinances.

Exhaust to outdoors: Dryer must be exhausted outdoors.

Note: The dryer must not be installed in an area where it will be exposed to water and/or weather.

Make sure that lower edges of the cabinet, plus the back and bottom sides of the dryer are free of obstructions to permit adequate clearance of air openings for combustion air. See "Recessed area and closet installation instructions," page 14, for minimum spacing requirements.

IMPORTANT SAFETY INSTRUCTIONS

WARNING: To reduce the risk of fire, electric shock, or injury to persons when using the dryer, follow basic precautions, including the following:

- Read all instructions before using the dryer.
- Do not dry articles that have been previously cleaned in, washed in, soaked in, or spotted with gasoline, dry-cleaning solvents, or other flammable or explosive substances, as they give off vapors that could ignite or explode.
- Do not allow children to play on or in the dryer. Close supervision of children is necessary when the dryer is used near children.
- Before the dryer is removed from service or discarded, remove the doors to the drying compartments.
- Do not reach into the dryer if the drum is moving.
- Do not install or store the dryer where it will be exposed to the weather.
- Do not tamper with controls.
- Do not repair or replace any part of the dryer or attempt any servicing unless specifically recommended in the user-maintenance instructions or in published user-repair instructions that you understand and have the skills to carry out.
- Do not use fabric softeners or products to eliminate static unless recommended by the manufacturer of the fabric softener or product.
- Do not use heat to dry articles containing foam rubber or similarly textured rubber-like materials.
- Clean lint screen before or after each load.
- Keep area around the exhaust opening and adjacent surrounding areas free from the accumulation of lint, dust, and dirt.
- The interior of the dryer and exhaust vent should be cleaned periodically by qualified service personnel.
- Do not place items exposed to cooking oils in your dryer. Items contaminated with cooking oils may contribute to a chemical reaction that could cause a load to catch fire.
- See Installation Instructions for grounding requirements.

SAVE THESE INSTRUCTIONS

Read the "Dryer Safety" section (page 2) of this Owner's Manual and completely read these Installation Instructions before beginning installation.

IMPORTANT: Observe all governing codes and ordinances.

Parts included with dryer:

- 2 slide protectors
- 2 slide extensions
- 4 slide protector mounting screws
- 2 30-minute cams (red)
- 2 45-minute cams (yellow)
- 4 3/8-inch tether mounting screws
- 4 rubber foot boots
- 2 vertical coin chutes
- 2 coin slide mounting rods
- 1 control panel key (No. 888)

Tools needed for installation:

- Knife
- Adjustable wrench or pliers
- 1/4-inch nut driver
- 5/16-inch open-end wrench
- Wire stripper
- Duct tape
- Phillips screwdriver
- Flat-head screwdriver
- Small flat-head screwdriver
- Carpenter's level
- Pipe wrench
- Pipe joint compound compatible with L.P. gas

ELECTRIC DRYER

Electrical requirements

A three-wire or four-wire, single phase 120/240-volt, 60-Hz., AC-only, electrical supply is required on a separate 30-ampere circuit, fused on both sides of the line. A time-delay fuse or circuit breaker is recommended.

This dryer is manufactured with the three-wire, frame-grounding conductor connected to the NEUTRAL (center) of the wiring harness of the terminal block. Do not have a fuse in the neutral or grounding circuit.

Use a four-conductor cord when the dryer is installed in an area where local codes do not permit grounding through the neutral.

It is your responsibility

- To contact a qualified electrical installer.
- To be sure that the electrical connection is adequate and in conformance with the National Electrical Code, ANSI/NFPA 70-latest edition and all local codes and ordinances.
- A copy of the above code standards can be obtained from: National Fire Protection Association, Batterymarch Park, Quincy, MA 02269.
- To supply the required 3- or 4-wire, single phase, 120/240-volt, 60-Hz., AC-only electrical supply, (or 3- or 4-wire, 120/208-volt electrical supply, if specified on the serial/rating plate) on a separate 30-ampere circuit, fused on both sides of the line. A time-delay fuse or circuit breaker is recommended. Connect to an individual branch circuit.
- Do not use an extension cord.
- If codes permit and a separate ground wire is used, it is recommended that a qualified electrician determine that the ground path is adequate.

Electrical connection

- To properly install your dryer, you must determine the type of electrical connection you will be using and follow the instructions provided for it here.
- This dryer is manufactured with a 3-wire, cabinet-ground conductor connected to the NEUTRAL (white or center wire) of the wiring harness at the terminal block. Do not have a fuse in the neutral or grounding circuit.
- Use a 4-wire conductor cord when the dryer is installed in an area where local codes do not permit grounding through the neutral.

If using a power supply cord:

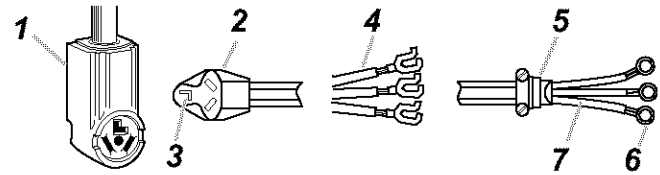
Dryer power supply cord must be:

- U.L.-listed or CSA certified
- 120/240 volt minimum
- 30 amp
- Type SRD or SRDT
- At least 4 feet (122 cm) long

The wires that connect to the dryer must end in ring terminals or spade terminals with upturned ends.

Three-Wire Power Supply Cord Connection

Use where local codes permit connecting cabinet-ground conductor to neutral wire.



1. 3-wire receptacle (NEMA type 10-30R)

2. 3-wire plug

3. Neutral prong

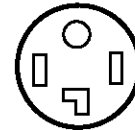
4. Spade terminals with upturned ends

5. 3/4 in. (1.9 cm) UL approved strain relief

6. Ring terminals

7. Neutral (white or center wire)

If your outlet looks like this:



4-wire receptacle (14-30R)

Choose a four-wire power supply cord with ring or spade terminals and UL-approved strain relief. The four-wire power supply cord must have 4, 10-gauge solid copper wires and match a four-wire receptacle of NEMA Type 14-30R. The fourth wire (ground conductor) must be identified with a green cover and the neutral conductor by a white cover.

If your outlet looks like this:



3-wire receptacle (10-30R)

Choose a three-wire power supply cord with ring or spade terminals and UL-approved strain relief. The three-wire power supply cord, must have 3, 10-gauge copper wires, and match a three-wire receptacle of NEMA Type 10-30R.

If connecting by direct wire:

Power supply cable must match power supply (4-wire or 3-wire) and be:

- Flexible armored or non-metallic sheathed copper cable (with ground wire). All current-carrying wires must be insulated.
- 10-gauge solid copper wire (Do not use aluminum.)
- At least 4 feet (122 cm) long

Four-Wire Power Supply Cord Connection

⚠ WARNING



Fire Hazard

Use a new UL approved 30 ampere power supply cord.

Use a UL approved strain relief.

Disconnect power before making electrical connections.

Connect neutral wire (white or center wire) to center terminal (silver).

Ground wire (green or bare wire) must be connected to green ground connector.

Connect remaining 2 supply wires to remaining 2 terminals (gold).

Securely tighten all electrical connections.

Failure to do so can result in death, fire, or electrical shock.

GROUNDING INSTRUCTIONS

This appliance must be grounded. In the event of malfunction or breakdown, grounding will reduce the risk of electric shock by providing a path of least resistance for electric current. The power supply cord must be plugged into an appropriate outlet that is properly installed and grounded in accordance with all local codes and ordinances.

WARNING: Improper connection of the equipment-grounding conductor can result in a risk of electric shock. Check with a qualified electrician or serviceman if you are in doubt as to whether the appliance is properly grounded.

Do not modify the plug on the power supply cord. If it will not fit the outlet, have a proper outlet installed by a qualified electrician.

SAVE THESE INSTRUCTIONS

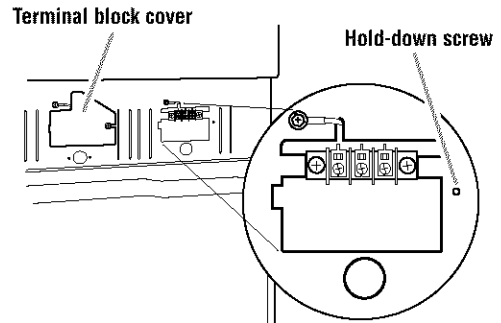
IMPORTANT: A four-wire connection is required where local codes do not permit the use of three-wire connections.

Four-wire Power Supply Cord

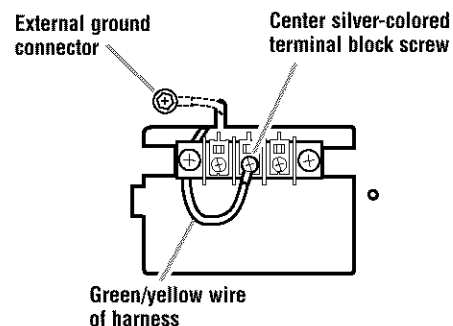
For four-wire installations, the power supply cord must have four, No.-10 copper wires and match a four-wire receptacle of NEMA Type 14-30R.

The fourth wire (grounding conductor) must be identified with a green cover or bare copper wire and the neutral conductor by a white cover.

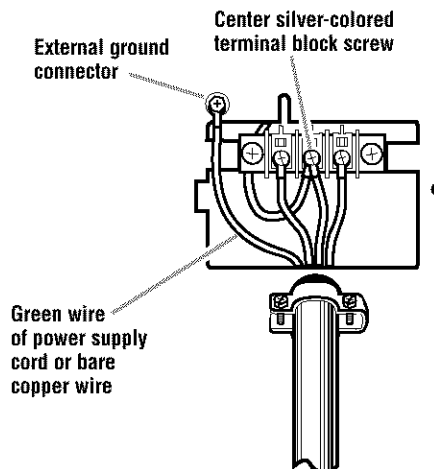
1. Disconnect power.
2. Remove hold-down screw and terminal block cover.
3. Attach a 3/4-inch U.L.-listed, strain relief to the hole below terminal block opening. Strain relief should have a tight fit with dryer cabinet and be in a horizontal position. Put the power supply cord through the strain relief.



4. Remove the center terminal block screw. Remove the neutral grounding wire (green/yellow wire) from external grounding screw.



5. Connect neutral grounding wire from machine and the neutral wire (white) of power supply cord under the center screw of terminal block.
6. Connect the other two insulated wires to outer terminal block screws.
7. Connect the green or bare, grounding wire from the power supply cord to the external grounding conductor screw. Tighten all terminal block screws firmly.
8. Tighten the strain relief screws.
9. Insert tab of terminal block cover into slot of the dryer rear panel. Secure cover with hold-down screw.



Four-Wire Direct Wire Connection

⚠ WARNING



Fire Hazard

Use 10 gauge solid copper wire.

Use a UL approved strain relief.

Disconnect power before making electrical connections.

Connect neutral wire (white or center wire) to center terminal (silver).

Ground wire (green or bare wire) must be connected to green ground connector.

Connect remaining 2 supply wires to remaining 2 terminals (gold).

Securely tighten all electrical connections.

Failure to follow these instructions can result in death, fire, or electrical shock.

GROUNDING INSTRUCTIONS

This appliance must be connected to a grounded metal, permanent wiring system; or an equipment-grounding conductor must be run with the circuit conductors, and connected to the equipment-grounding terminal or lead on the appliance.

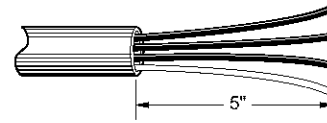
SAVE THESE INSTRUCTIONS

The dryer can be connected directly to fused disconnect or circuit breaker box with four-wire, flexible armored or non-metallic sheathed copper cable (with grounding wire). All current-carrying wires must be insulated. The grounding wire may be bare.

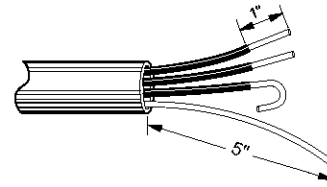
A conduit connector must be installed at junction box. Allow four feet of slack in the line so dryer can be moved if servicing is ever necessary.

1. Disconnect power.

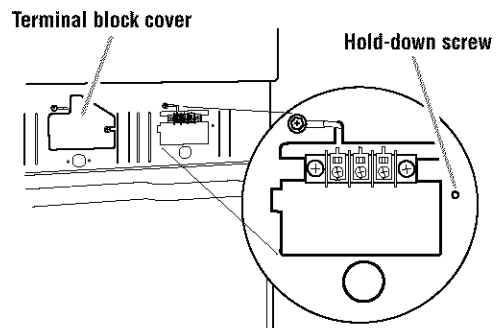
- Strip 5 inches of outer covering from end of cable. Leave bare grounding wire at 5 inches.



- Cut 1 inch from 3 remaining insulated wires. Strip insulation back 1 inch. Shape the end of each wire into a "U" shaped hook.

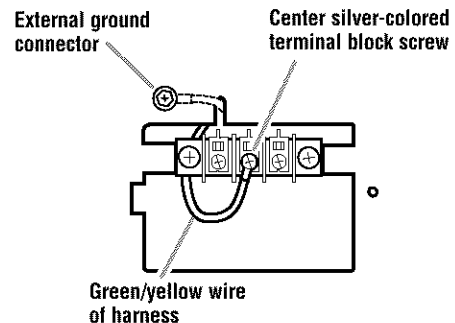


2. Remove hold-down screw and terminal block cover.

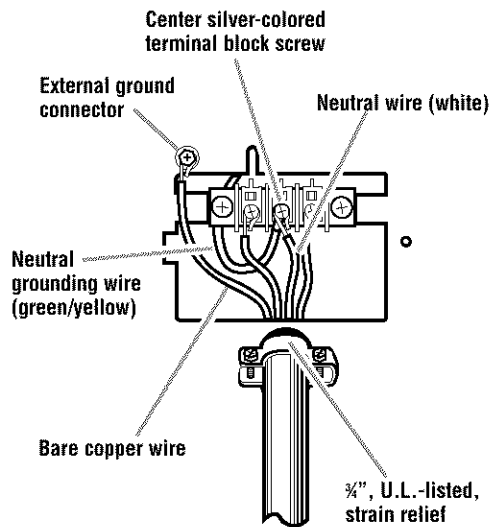


3. Attach a 3/4-inch, U.L.-listed, strain relief to the hole below terminal block opening. Strain relief should have a tight fit with dryer cabinet and be in a horizontal position. Put the direct wire cable through the strain relief.

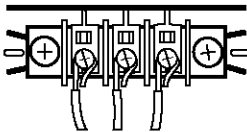
4. Remove the center terminal block screw. Remove the neutral grounding wire (green/yellow wire) from external grounding screw.



5. Connect neutral grounding wire and the neutral wire (white or center) of direct wire cable under the center screw of terminal block.



6. Place the hook-shaped end of the wire over the terminal block screw. The open side of the hook should face to the right. Squeeze hook end of wire together to form a loop.



7. Connect the other two wires to outer terminal block screws. Use the same method described in Step 6.
8. Connect the direct wire cable (bare) grounding wire to the external-grounding conductor screw. Tighten all terminal block screws firmly.
9. Tighten the strain relief screws.
10. Insert tab of terminal block cover into slot of the dryer rear panel. Secure cover with hold-down screw.

Grounding Instructions

- For a grounded, cord-connected dryer:
This dryer must be grounded. In the event of malfunction or breakdown, grounding will reduce the risk of electric shock or breakdown; grounding will reduce the risk of electric shock by providing a path of least resistance for electric current. This dryer uses a cord having an equipment-grounding conductor and a grounding plug. The plug must be plugged into an appropriate outlet that is properly installed and grounded in accordance with all local codes and ordinances.
- For a permanently connected dryer:
This dryer must be connected to a grounded metal, permanent-wiring system, or an equipment-grounding conductor must be run with the circuit conductors and connected to the equipment-grounding terminal or lead on the dryer.

WARNING: Improper connection of the equipment-grounding conductor can result in a risk of electric shock. Check with a qualified electrician or service representative or personnel if you are in doubt as to whether the dryer is properly grounded. Do not modify the plug on the power supply cord: if it will not fit the outlet, have a proper outlet installed by a qualified electrician.

SAVE THESE INSTRUCTIONS

Three-Wire Power Supply Cord Connection

!WARNING



Fire Hazard

Use a new UL approved 30 ampere power supply cord.

Use a UL approved strain relief.

Disconnect power before making electrical connections.

Connect neutral wire (white or center wire) to center terminal (silver).

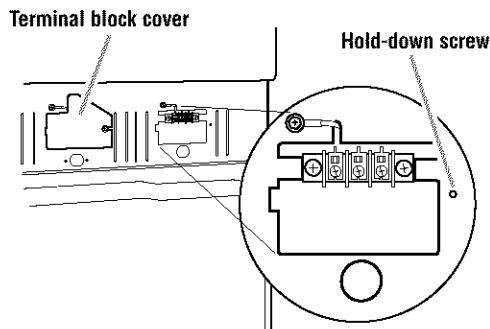
Ground wire (green or bare wire) must be connected to green ground connector.

Connect remaining 2 supply wires to remaining 2 terminals (gold).

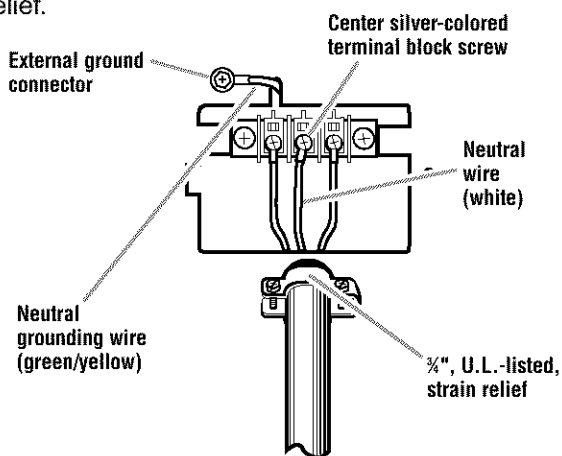
Securely tighten all electrical connections.

Failure to do so can result in death, fire, or electrical shock.

1. Disconnect power.
2. Remove hold-down screw and terminal block cover.



3. Attach a 3/8-inch, U.L.-listed, strain relief to the hole below terminal block opening. Strain relief should have a tight fit with dryer cabinet and be in a horizontal position. Put the power supply cord through the strain relief.



4. Loosen or remove terminal block screws. Connect the neutral wire (white or center) of power supply cord under the center screw of the terminal block.
5. Connect the other two wires to outer terminal block screws. Tighten all terminal block screws firmly.
6. Tighten the strain relief screws.
7. Insert tab of terminal block cover into slot of the dryer rear panel. Secure cover with hold-down screw.

NOTE: If local codes do not permit the connection of a frame-grounding conductor to the neutral wire, see the instructions for "Alternate Connection," page 9.

Three-Wire Direct Wire Connection

⚠ WARNING



Fire Hazard

Use 10 gauge solid copper wire.

Use a UL approved strain relief.

Disconnect power before making electrical connections.

Connect neutral wire (white or center wire) to center terminal (silver).

Ground wire (green or bare wire) must be connected to green ground connector.

Connect remaining 2 supply wires to remaining 2 terminals (gold).

Securely tighten all electrical connections.

Failure to follow these instructions can result in death, fire, or electrical shock.

GROUNDING INSTRUCTIONS

This appliance must be connected to a grounded metal, permanent wiring system; or an equipment-grounding conductor must be run with the circuit conductors and connected to the equipment-grounding terminal or lead on the appliance.

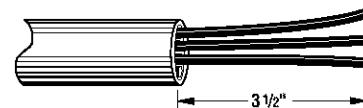
SAVE THESE INSTRUCTIONS

The dryer can be connected directly to fused disconnect or circuit breaker box with three-wire, flexible armored or non-metallic sheathed copper cable (with grounding wire). All current-carrying wires must be insulated.

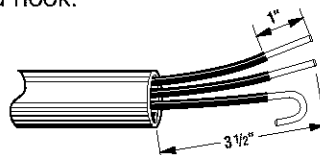
A conduit connector must be installed at junction box. Allow four feet of slack in the line so dryer can be moved if servicing is ever necessary.

1. Disconnect power.

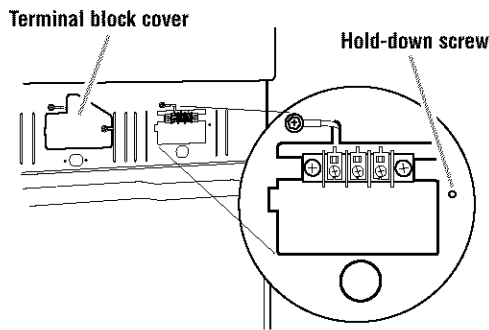
- Strip 3 1/2 inches of outer covering from end of cable.



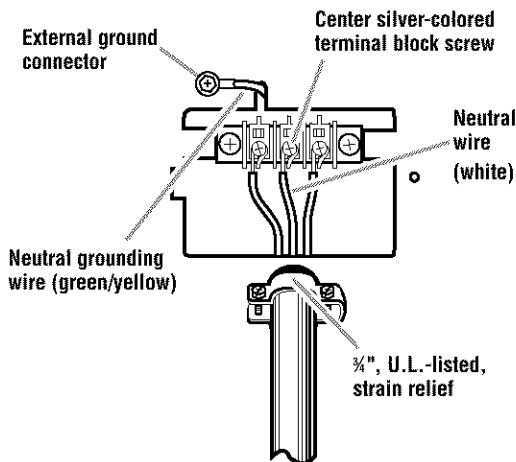
- Cut 1 inch of insulation from the end of each insulated wire. Shape the end of each wire into a "U" shaped hook.



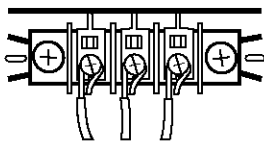
- Remove hold-down screw and terminal block cover.



- Attach a 3/8-inch, U.L.-listed, strain relief to the hole below terminal block opening. Strain relief should have a tight fit with dryer cabinet and be in a horizontal position. Put the direct wire cable through the strain relief.



- Loosen or remove terminal block screws. Connect the neutral wire (white or center) of direct wire cable under the center screw of the terminal block.
 - Place the hook-shaped end of the wire over the terminal block screw. The open side of the hook should face to the right. Squeeze hook end of wire together to form a loop.



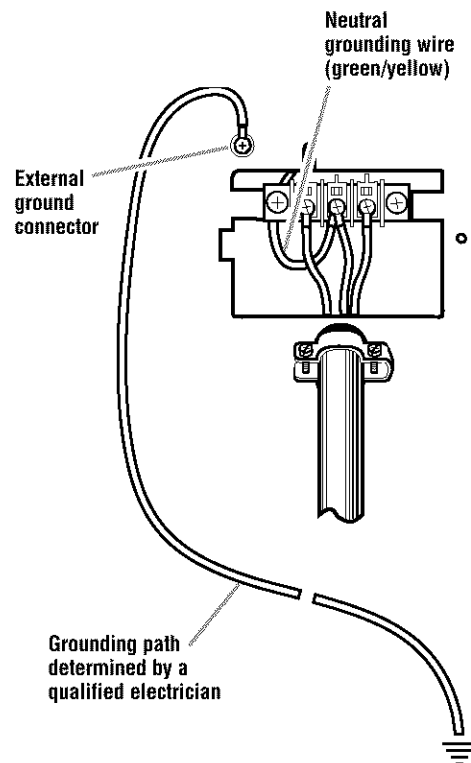
- Connect the other two wires to outer terminal block screws using the same method(s) described in step 4. Tighten all terminal block screws firmly.
- Tighten the strain relief screws.
- Insert tab of terminal block cover into slot of the dryer rear panel. Secure cover with hold-down screw.

NOTE: If local codes do not permit the connection of a frame-grounding conductor to the neutral wire, see the instructions for "Alternate Connection," page 9.

Alternate Connection:

If local codes do not permit the connection of a frame-grounding conductor to the neutral wire:

- Disconnect power.
- Make sure the power supply cord or direct wire cable is in place.
- Remove the neutral grounding wire (green/yellow wire) from external grounding connector screw. Loosen or remove terminal block screws. Connect neutral grounding wire and the neutral wire (white or center) of power supply cord or direct wire cable under the center screw of the terminal block.
- Connect the other two wires to outer terminal block screws. Tighten all terminal block screws firmly.
- Tighten the strain relief screws.
- Insert tab of terminal block cover into slot of the dryer rear panel. Secure cover with hold-down screw.
- Connect separate copper grounding wire from external ground connector to an adequate ground. If codes permit and a separate grounding wire is used, it is recommended that a qualified electrician determine that the grounding path is adequate.



GAS DRYER

Gas requirements

⚠ WARNING



Explosion Hazard

Use a new AGA or CSA approved flexible gas supply line.

Install a shut-off valve.

Securely tighten all gas connections.

If connected to LP, have a qualified person make sure gas pressure does not exceed 13" (33 cm) water column. Examples of a qualified person include licensed heating personnel, authorized gas company personnel, and authorized service personnel.

Failure to do so can result in death, explosion, or fire.

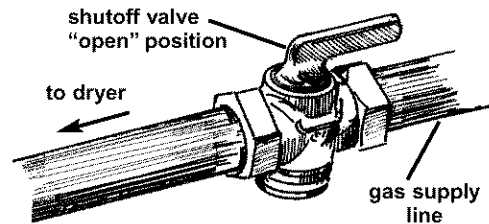
OBSERVE ALL GOVERNING CODES AND ORDINANCES.

- This installation must conform with local codes, or in absence of local codes with the National Fuel Gas Code ANSI Z223.1/NFPA 54.
- The design of this dryer has been certified by the CSA International for use at altitudes up to 10,000 feet (3048 m) above sea level at the B.T.U. rating indicated on the model/serial plate. Burner input adjustments are not required when the dryer is operated up to this elevation.

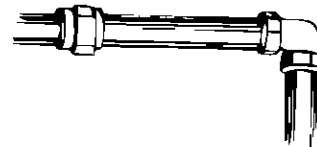
When installed above 10,000 feet (3048 m), a four percent (4%) reduction of the burner B.T.U. rating shown on the model/serial plate is required for each 1,000 foot (305 m) increase in elevation. For assistance when converting to other gas types and/or installing above 10,000 feet (3048 m) elevation, contact your local service company.

- Check that dryer is equipped with the correct burner for the particular type of gas used. Burner information can be found on the serial/rating plate in the door well of the appliance. If this information does not agree with the type of gas available, see your dealer.

- This dryer is equipped for use with NATURAL GAS. It is certified by CSA International for L.P. (propane and butane) gases with appropriate conversion. No attempt shall be made to convert the appliance from the gas specified on the serial/rating plate for use with a different gas without consulting the serving gas supplier. **Conversion must be done by a qualified service technician. Gas conversion kit part numbers are listed on the gas valve burner base.**
- Provide a **rigid gas supply line** of 1/2-inch IPS pipe or 1/2-inch approved tubing to the dryer location. If the total length of the tubing is more than 20 feet (6.1 m), larger tubing will be needed. Pipe-joint compounds suitable for use with L.P. gas should be used.



- The supply line shall be equipped with a shutoff valve installed within 6 ft. (1.8 m) of dryer in accordance with the National Fuel Gas Code, ANSI Z223.1 — latest edition*. This valve should be located in the same room as the dryer and should be in a location that allows ease of opening and closing. Do Not block access to the shutoff valve.
- If the dryer is installed in a confined area such as a bathroom or closet, provision must be made for enough air for combustion and ventilation. (Check governing codes and ordinances, or refer to the section of this instruction covering recessed and closet installations.)
- If local codes and ordinances permit, it is recommended that a new flexible gas connector, design-certified by AGA or CSA, be used for connecting the dryer to the gas supply line. (The gas pipes which extend through the rear of the dryer are 3/8-inch pipe thread.)



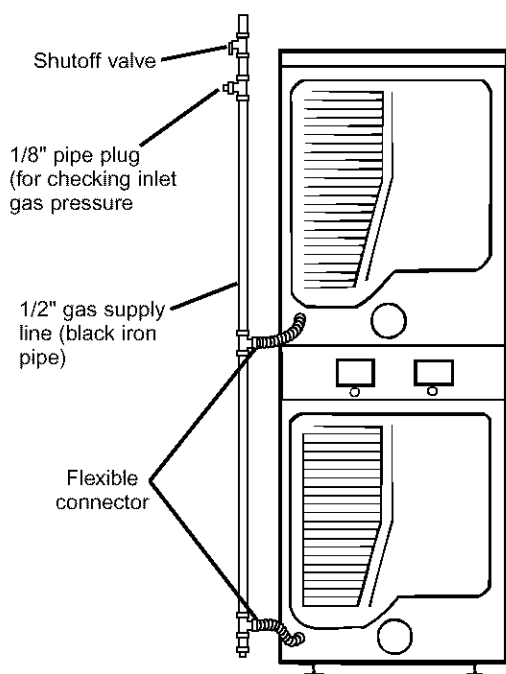
- If rigid pipe is used as a gas supply line, a combination of pipe fittings must be used to obtain an in-line connection to the dryer.

- For ease of installation, operation, and servicing adequate space should be provided around the dryer.
- A 1/8-inch NPT plugged tapping, accessible for test gauge connection, must be installed immediately upstream of the gas supply connection to the dryer.

The dryer must be disconnected from the gas supply piping system during any pressure testing of the system at test pressures in excess of 1/2 psig.

The dryer must be isolated from the gas supply piping system by closing the equipment shut-off valve during any pressure testing of the gas supply piping system at test pressures equal to or less than 1/2 psi (3,45 kPa).

Test all connections by brushing on an approved non-corrosive leak-detection solution. Bubbles will show a leak. Correct any leak found.



- Pipe joint compounds that resist the action of L.P. gas must be used. Do not use Teflon tape.

Gas Dryer Electrical requirements

⚠ WARNING



Electrical Shock Hazard

Plug into a grounded 3-prong outlet.
Do not remove ground prong.
Do not use an adapter.
Do not use an extension cord.
Failure to follow these instructions can result in death, fire, or electrical shock.

Important: Observe all governing codes and ordinances.

A 120-volt, 60-Hz, AC-only, 15- or 20-ampere fused electrical supply is required. A time-delay fuse or circuit breaker is recommended.

It is recommended that a separate circuit serving only this appliance be provided.

If codes permit and a separate ground wire is used, it is recommended that a qualified electrician determine that the ground path is adequate.

Recommended ground method

The dryer, when installed, must be electrically grounded in accordance with local codes, or in the absence of local codes, with the National Electrical Code, ANSI/NFPA 70*.

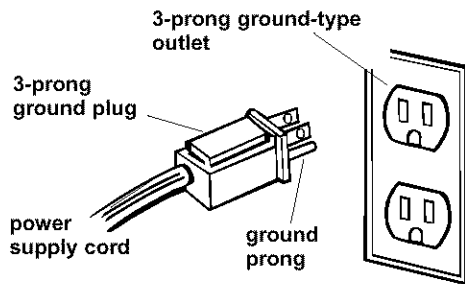
GROUNDING INSTRUCTIONS: This appliance must be grounded. In the event of malfunction or breakdown, grounding will reduce the risk of electric shock by providing a path of least resistance for electric current.

The power supply cord plug must be plugged into an appropriate outlet that is properly installed and grounded in accordance with all local codes and ordinances.

Copies of the standards listed above may be obtained from:

* National Fire Protection Association
 One Batterymarch Park
 Quincey, Massachusetts 02269

WARNING - Improper connection of the equipment-grounding conductor can result in a risk of electric shock. Check with a qualified electrician or serviceman if you are in doubt as to whether the appliance is properly grounded. Do not modify the plug provided with the appliance - if it will not fit the outlet, have a proper outlet installed by a qualified electrician.



Exhaust requirements

The dryer must be properly installed and vented to achieve maximum drying efficiency. Install the dryer in a well-ventilated room where the temperature is always above 45°F. If the dryer is not properly installed and vented, it will not be covered under the warranty.

NOTE: Service calls caused by improper venting will be paid for by the customer, whether it was a paid installation or self-installed. For paid installation, call the company that installed the vent for adjustment.

⚠ **WARNING**



Fire Hazard

Use a heavy metal vent.

Do not use a plastic vent.

Do not use a metal foil vent.

Failure to follow these instructions can result in death or fire.

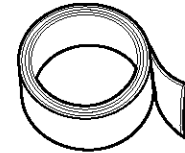
The dryer must be exhausted outdoors.

- Do not exhaust dryer into any gas vent, a chimney, a wall, a ceiling, or a concealed space of a building.
- The diameter of the heavy metal vent must be 4 inches.
- Do not use an exhausted hood with a magnetic latch.

If using an existing exhaust system, remove lint. Make sure exhaust hood is not plugged with lint.

- Disconnect vent from the dryer and clean one section at a time until you reach the exhaust hood.
- Use the hose attachment on your vacuum, or a pole with a feather duster or rag attached, to clean out lint.
- Be sure the flapper on the outside end of vent moves freely.
- When cleaning is complete, be sure to follow these Installation Instructions for final product check.

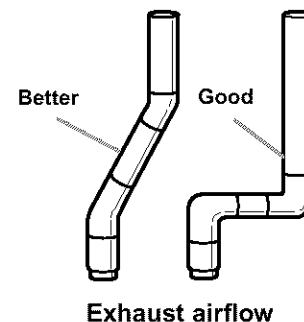
Use duct tape to seal all joints. Do not use screws to secure vent. Lint may catch on screws.



Use 4-inch diameter heavy metal or flexible metal vent. Do not kink or crush flexible metal vent. It must be fully extended to allow adequate exhaust air to flow. Check vent after installation.

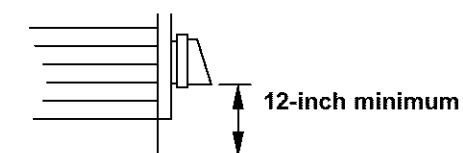
The exhaust vent can be routed up, down, left, right, or straight out the back of the dryer. Space requirements are listed later in this section, page 13.

Use the straightest path possible when routing the exhaust vent. Use the fewest number of elbows and turns. Allow as much room as possible when using elbows or making turns. Bend vent gradually to avoid kinking. Remove excess flexible vent to avoid sagging and kinking that may result in reduced airflow.



Side or bottom exhaust

A clean-out cover should be located on the main exhaust vent for periodically cleaning the exhaust system. An exhaust hood should cap the exhaust vent to prevent exhausted air from returning into dryer. The outlet of the hood must be at least 12 inches from the ground or any object that may be in the path of the exhaust.



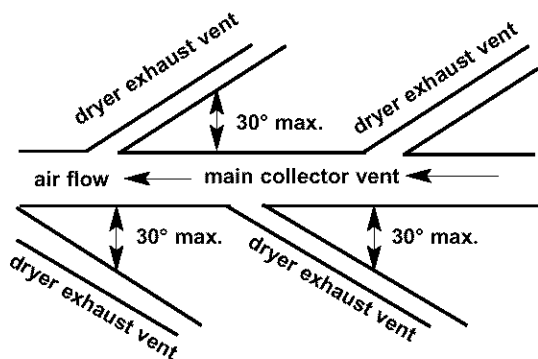
A 4-inch outlet exhaust hood is preferred. However, a 2½ inch outlet exhaust hood may be used. A 2½ inch outlet creates a greater back pressure than other hood types. Smaller hoods increase drying time. For

permanent installation, a stationary exhaust system is required.

Exhausting the dryer through the side or bottom of the dryer requires the use of Exhaust Kit Part No. 279818 (white), available from your Sears Service Center. Follow kit installation instructions for proper exhaust installation.

If an exhaust hood cannot be used, the outside end of the main vent should have a sweep elbow directed downward. If the main vent travels vertically through the roof, rather than through the wall, install 180° sweep elbow on the end of vent at least 2 feet above the highest part of the building. The opening in the wall or roof shall have a diameter ½ inch larger than the exhaust vent diameter. The exhaust vent should be centered in the opening.

A main exhaust vent can be used for exhausting a group of dryers. Main exhaust vent should be sized to remove 200 CFM of air per dryer. Large-capacity lint screens of proper design may be used in the main exhaust vent if checked and cleaned frequently. The room where the dryers are located should have make-up air equal to or greater than the CFM of all the dryers in the room.



Back-draft Damper Kits, Part No. 3391910, are available from your Whirlpool dealer and should be installed in each dryer's exhaust vent to prevent exhausted air from returning into the dryers and to keep the exhaust in balance within the main exhaust vent. Unobstructed air openings are required.

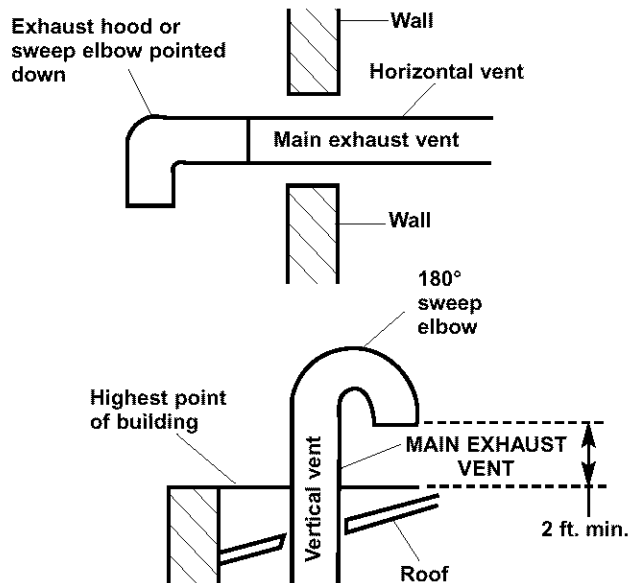
Each exhaust vent should enter the main vent at an angle pointing in the direction of the airflow. Vents entering from the opposite side should be staggered to reduce the exhausted air from interfering with the other vents.

The **maximum angle** of each vent entering the main vent should be no more than 30°.

Keep air openings free of dry cleaning fluid fumes. Fumes create acids which, when drawn through the dryer heating units, can damage dryers and loads being dried.

A **clean-out cover** should be located on the main exhaust vent for periodically cleaning of the exhaust system.

An **exhaust hood** should cap the outside end of the main vent to prevent exhausted air from returning to the dryers. If an exhaust hood cannot be used, the outside end of the main vent should have a sweep elbow directed downward. If the main vent travels vertically through the roof, rather than through the wall, install 180° sweep elbow on the end of vent at least 2 feet (61 cm) above the highest part of the building. The opening in the wall or roof shall have a diameter 1/2 inch (1.3 cm) larger than the exhaust vent diameter. The exhaust vent should be centered in the opening.



NOTE: Do not install screening or cap over end of vent.

Determining vent length

The maximum length of the exhaust system depends upon:

- The type of vent (heavy or flexible metal).
- The number of elbows (90° turns) used.
- Hood type.

To determine maximum vent length:

1. See the Exhaust Hood Type chart that matches your type hood for the maximum vent lengths you can use.

Do not use vent runs longer than specified in exhaust vent length chart.

Exhaust systems longer than specified will:

- Shorten the life of the dryer.
- Reduce performance, resulting in longer drying times and increased energy usage.

2. Determine the number of elbows you will need.
3. In the column listing the type of metal vent you are using (heavy or flexible), find the maximum length of metal vent on the same line as the number of elbows.

EXHAUST HOOD TYPE		
Number of 90° Turns		
Maximum length of 4-inch diameter heavy metal vent.		
0	64 ft.	58 ft.
1	54 ft.	48 ft.
2	44 ft.	38 ft.
3	35 ft.	29 ft.
4	27 ft.	21 ft.
Maximum length of 4-inch diameter flexible metal vent.		
0	36 ft.	28 ft.
1	31 ft.	23 ft.
2	27 ft.	19 ft.
3	25 ft.	17 ft.
4	23 ft.	15 ft.

NOTE: Check periodically to ensure that the outside exhaust hood is not blocked.

Multiple dryer exhausting guide

Many multiple-family dwellings are furnished with provisions in the building for washing and drying laundry with automatic washers and dryers. The exhausting of the individual clothes dryers can be accomplished with a central exhaust vent system. The following is a list of factors for possible consideration in the design of a central vent system for this type of installation.

Each room where dryers are located should have make-up air equal to or greater than the CFM of all dryers in the room. This dryer requires makeup air of at least 400 CFM.

This information is intended for general guide purposes only and does not necessarily include all factors which may be required for consideration in a given situation. If specific information on multiple exhausting is required, contact a local sheet metal contractor.

1. Exhaust individual dryers to the central exhaust vent system with proper sized venting to assure adequate performance of each dryer. (Dryer has 4-inch exhaust vent connection.)
2. Install backdraft dampers on each individual dryer exhaust vent. These dampers may be used for balancing out the overall vent system. Dampers may be secured or built locally from a sheet metal fabricator.

Recessed area/closet installation instructions

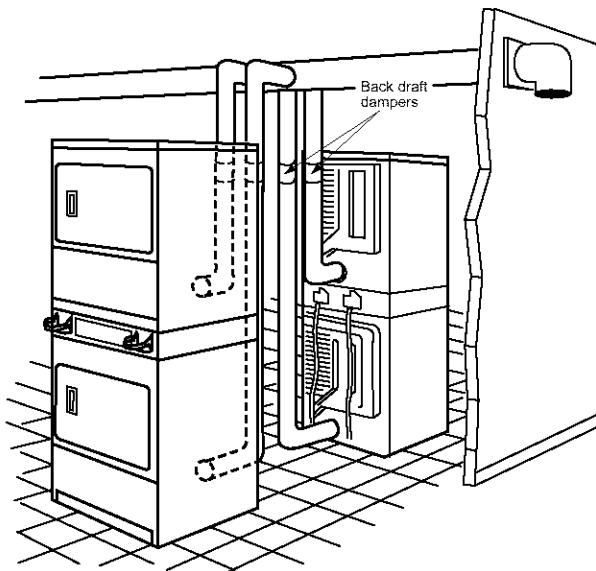
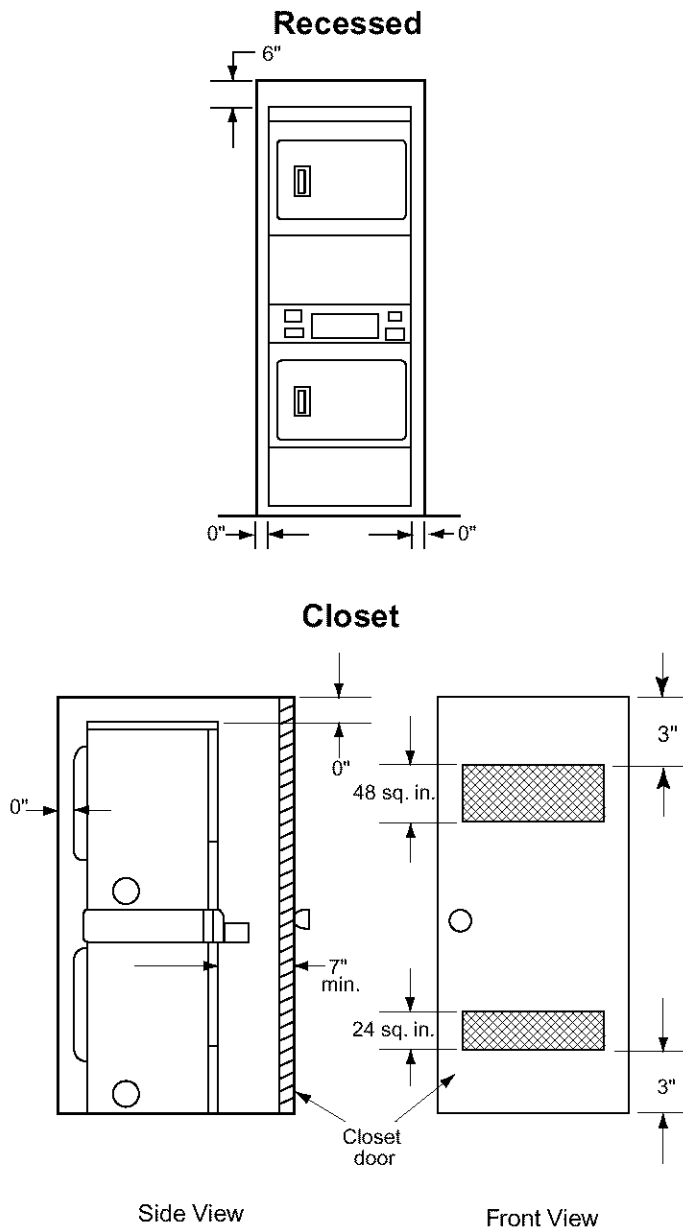
NOTE: Check code requirements. Some codes limit or do not permit installation of clothes dryers in garages, closets, mobile homes, or sleeping quarters. Contact your local building inspector.

- Refer to the chart below for recommended installation requirements. This will ensure you have an adequate clearance for service and proper operation including flow of combustion and ventilation air, and that you have a sufficient distance from combustible construction.
 - Be sure your location allows for a proper exhaust installation. See "Exhaust requirements."
 - Unobstructed air openings are required for coin-operated stacked dryers when door is installed. Door **must** have two centered openings as illustrated. Both openings must provide a minimum of 72 square inches of unobstructed airflow.
- NOTE:** No other fuel-burning appliances may be installed in the same closet as a dryer.

Installation Clearances

Use recommended clearance for easier installation				
Recommended/Minimum				
	Back	Sides	Top	Front
Recessed	5 in/0 in	1 in/0 in	18 in/6 in	-----
Closet	5 in/0 in	1 in/0 in	18 in/0 in	7 in/ 7 in

Recessed area and closet installation requirements



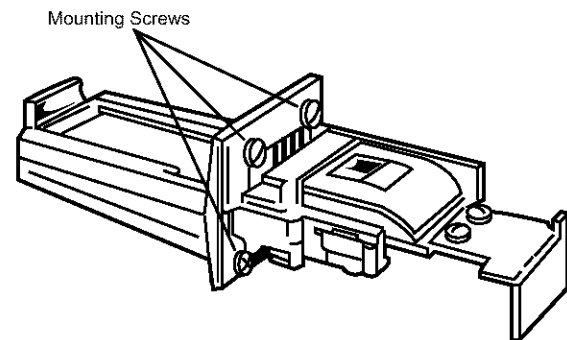
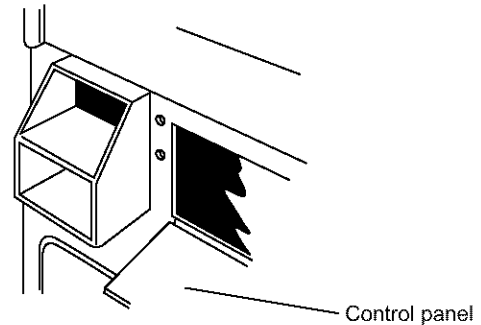
Other Installation

Installing coin-slide mechanism

1. Your dryers are set for 60 minutes of drying. If you wish, you may change to 30 to 45 minutes drying with the cams provided. See "Replacing nylon timing cams on accumulator mechanism."

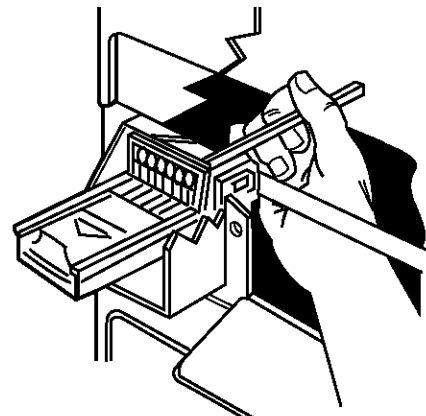
2. Open dryer control panel. Let it rest on the bottom edge of the opening.

The coin slide is set for \$1. To change vend price, follow instructions included with coin chute.



3. Insert the coin slide mechanism through the opening to the left of the control panel. You may have to loosen four mounting screws for proper fit.

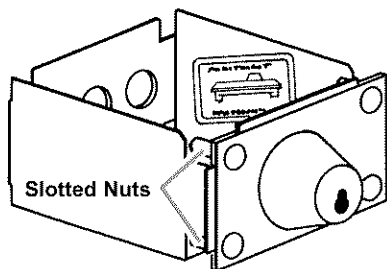
4. Secure coin slide mechanism from inside control panel with $\frac{3}{16}$ -inch coin slide mounting rod included with slide mechanism. Use $\frac{3}{16}$ " open-end wrench to tighten rod.



5. Repeat steps 3 and 4 for inserting coin slide mechanism for right side. Close the control panel.

Coin box adjustment

The tight fit of the money box is set at the factory. Customer may loosen fit as desired by loosening the slotted nuts.



Keep a record of all coin-box key numbers. A lost key can only be replaced if ordered by key number from Sears Parts. The key number is located both on the key and behind the end panel of the coin box. If the key number is not available, the lock must be drilled out to remove the coin box.

Final installation connection

1. Connect exhaust vent to exhaust outlet of the dryer.
2. Carefully move dryer into permanent location. Provide at least the minimum installation clearances between dryer and rear wall. See the chart. This will ensure you have an adequate clearance for service and proper operation including flow of combustion and ventilation air, and that you have sufficient distance from combustible construction.
3. When dryer is in final position, place level on top of the dryers or collar, first side to side; then front to back. If the dryer is not level, adjust the legs of the dryer up or down until the dryer is level.
4. Plug in dryer or connect power.
5. Double check your installation, reviewing each step. Be sure all packing materials have been removed and properly disposed of, and that all tools have been put away.
6. Wipe each dryer drum thoroughly with a damp cloth.

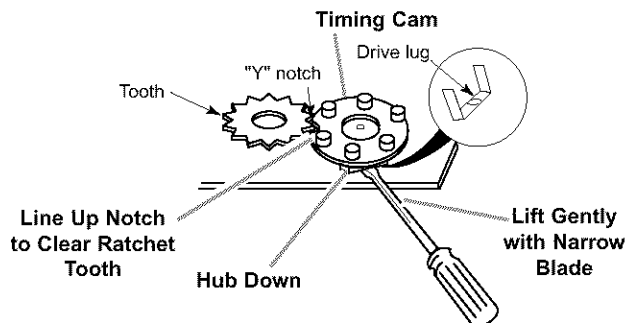
Replacing nylon timing cams on accumulator mechanism

⚠ WARNING



Electrical Shock Hazard
Disconnect power before servicing.
Replace all parts and panels before operating.
Failure to do so can result in death or electrical shock.

1. Unplug dryer or disconnect power.
2. Unlock control panel using a Phillips screwdriver.
 - Loosen two screws securing timer bracket and lift timer assembly out, but do not remove.
3. Remove nylon timing cam:
 - Rotate cam by hand until "V" notch lines up underneath the ratchet tooth.



- Insert narrow screwdriver under nylon cam close to the timer shaft. Lift cam gently off shaft. Make sure that pressure is directed upward and the "V" notch clears the ratchet tooth.
4. Replace new timing cam:
 - Be sure drive lug is in place. Place cam (hub down) over timer shaft, lining up flat on shaft with flat of drive lug hole.
 - Rotate cam until "V" notch lines up with ratchet tooth.
 - Press down to seat cam on timer shaft. Make sure that "V" notch freely clears ratchet tooth.

NUMBER OF PINS	TIME PER COIN INSERTED
6 Light Red	30
4 Light Yellow	45
3 Light Green	60 (Installed)


5. Reattach the timer bracket assembly; then tighten the screws.
6. Repeat steps for other timer.
7. Close and lock the control panel.
8. Plug in dryer or reconnect power.

Changing Vend Price

Follow all instructions carefully.

NOTE: Place all screws and other items removed from coin slide assembly on a cloth so they will not get lost.

⚠ WARNING



Electrical Shock Hazard

Disconnect power before servicing.
Replace all parts and panels before operating.
Failure to do so can result in death or electrical shock.

1. Unplug dryer or disconnect power.
2. Remove slide mechanism from collar assembly.
3. Remove slide return spring.
4. Place coin(s) in coin slot(s) and push forward all the way.
5. Remove buffer.
6. Set new vend price by adding or removing the appropriate block-out keys and/or dime inserts according to Table of Vend Prices.

7. Reassemble buffer.
8. Pull slide back to original position and reassemble slide return spring.

NOTES:

- Block slots are closed off by block-out key. To remove block-out keys, pull straight up.
- Be sure block-out keys and/or dime inserts are seated properly and ratchet dog is in place with its spring connected. Be sure the proper coin sizing block is in place.
Part # 20-3007 for up to 7 quarters and 1 dime
Part # 20-3006 for up to 8 quarters and 0 dimes
- Unless otherwise ordered, all coin chutes are supplied with Part 20-3006 in place.

9. Plug in dryer or reconnect power.

NOTE: Refer to the product information sheet provided with the coin box for additional information.

TABLE OF VEND PRICE


VEND PRICE	COIN SLOTS							
	1	2	3	4	5	6	7	8
0	█	█	█	█	█	█	█	█
10¢	□	█	█	█	█	█	█	█
25¢	█	█	█	█	█	█	█	█
35¢	□	█	█	█	█	█	█	█
50¢	█	█	█	█	█	█	█	█
60¢	□	█	█	█	█	█	█	█
75¢	█	█	█	█	█	█	█	█
85¢	□	█	█	█	█	█	█	█
\$1.00	█	█	█	█	█	█	█	█
\$1.10	□	█	█	█	█	█	█	█
\$1.25	█	█	█	█	█	█	█	█
\$1.35	□	█	█	█	█	█	█	█
\$1.50	█	█	█	█	█	█	█	█
\$1.60	□	█	█	█	█	█	█	█
\$1.75	█	█	█	█	█	█	█	█
\$1.85	□	█	█	█	█	█	█	█
\$2.00	█	█	█	█	█	█	█	█



OPERATING THE DRYER

Read operating instructions before operating the dryer.
(Located on console.)


⚠ WARNING



Explosion Hazard

Keep flammable materials and vapors, such as gasoline, away from dryer.
Do not dry anything that has ever had anything flammable on it (even after washing).
Failure to follow these instructions can result in death, explosion, or fire.

⚠ WARNING



Fire Hazard

No washer can completely remove oil.
Do not dry anything that has ever had any type of oil on it (including cooking oils).
Items containing foam, rubber, or plastic must be dried on a clothesline or by using an Air Cycle.
Failure to follow these instructions can result in death or fire.

1. The lint screen must be cleaned before or after each load. A blocked screen or exhaust will cause slow drying and other problems.
2. If the dryer will not operate, check the following to be sure:
 - Electrical supply is not connected
 - Fuse is good and fits tightly
 - Door is closed, dryer will not operate with the door open.
 - Proper coins are inserted. Push slide in and slowly pull out.
 - Push-to-start button is pushed in firmly

Removing accumulated lint

From Inside the Dryer Cabinet.

Lint should be removed every 2 years or more often, depending on dryer usage. Cleaning should be done by a qualified person.

From the Exhaust Vent.

Clean exhaust vent periodically, depending on use, but at least every 2 years, or when installing your dryer in a new location.

Drying Time

The following charts are provided to give a general guideline on typical full loads and suggested times for these loads.

TYPICAL FULL LOAD			
The following chart gives examples of typical full loads:			
LOAD TYPE INCLUDES		LOAD TYPE INCLUDES	
Mixed Load	2 sheets 4 pillow cases 2 shirts 6 shorts 2 blouses 8 handkerchiefs	Heavy Work Clothes	4 pairs jeans 4 pairs work pants 1 denim jacket 1 coverall

TYPE OF LOAD	SUGGESTED DRY TIME*
Mixed Cottons	40-55 minutes
Towels	50-65 minutes
Denims – Work Clothes	50-70 minutes
Permanent Press	30-45 minutes
Synthetic Knits – Delicates	20-35 minutes

*Times are approximate based on average-size loads.

NOTE: When drying Permanent Press loads, make sure the clothes are left in the dryer until the FINISHING light goes off.

Lubrication Instructions

Every Kenmore automatic dryer is thoroughly lubricated at the time of assembly with lubricants designed to last the normal life of the product. Under normal operating conditions further lubrication should not be required.

In those instances where dryer operating time accumulates rapidly, noise level may be reduced and bearing life extended by proper lubrication. If repairs are performed on the machine, then complete lubrication of the repaired assemblies is desirable.

Effective, long-lasting lubrication of a dryer requires lubricants designed for the particular application. The following chart lists the recommended lubricant. This lubricant is available from any Sears Parts Department.

Application	Recommended Lubricant
Drum Support Rollers Idler Assembly	Turbine Oil

TROUBLESHOOTING

Before servicing the dryer, always check out the machine to substantiate the complaint for which the service call was created. In many cases, it may just be a customer-instruct problem.

Will not run

- **Power supply**
Check line fuses and line switches.
- **Main wiring harness**
Check for loose or broken terminal.
- **Door switch**
Make continuity check on switch contacts.
- **Main motor**
Check motor.
- **Timer**
Make continuity check on timer contacts Y to BG.
- **PUSH TO START button**
Check start switch for continuity.
- **Broken belt protector switch**
Check belt protector for continuity.

- **Broken belt**
Replace broken belt.

Clothes not drying

- **Operating thermostat**
Check for open switch contacts.
- **Main motor**
Check motor centrifugal switch M2 to M3 for open contact.
- **Timer**
Check timer switch contacts Y to R for continuity. Also Y to BR, if used on timer.
- **Main wiring harness**
Check for voltage at 1V, 2V, and 3V. Check harness for shorted or broken wire.
- **Drum belt**
Check belt. May be worn, broken, or off pulley. Faulty idler assembly.
- **Drum seals**
Check front and rear drum seals. Must be properly positioned on the drum and flange surface.
- **Exhaust fan**
Check fan for proper RPM, lint.
- **Lint screen**
Check lint screen for lint.
- **Exhaust vent**
Check exhaust vent for lint blockage.
- **Power supply**
Check line fuses and switches.

- **Heat element**
Check for broken element wire.

- **Gas burner**
Check for function.

- **Load**
Check for size and type of load.

- **Improperly grounded**
Check for control panel being grounded.

Drum will not rotate

- **Drum belt**
Check for broken belt. Be sure it is properly positioned on motor pulley.

- **Broken belt protector switch**
Check broken protector for continuity.

Will not shut off

- **Timer**
Check timer motor for function and timer for welded contacts.

- **Operating thermostat**
Check for correct thermostat in dryer. Check for failed thermostat.

Blowing fuses

- **Electrical ground**
Check motor, electrical components, and harness for ground.

- **Fuse box**
Defective fuse-box assembly. Improperly fused.

Moisture retention unsatisfactory

- **Blocked exhaust**
Inspect exhaust system for lint.

- **Thermostats**
Check reason for improper cycling.

Will not heat

- **Main wiring harness**
Check main harness at element terminals.

- **Operating and high limit thermostats**
Install jumper across terminals and test dryer, or make continuity test on switch contact.

- **Main motor**
Check motor centrifugal switch 2M to 3M for continuity.

- **Timer**
Check continuity of timer contacts Y to R. Also Y to BR if used on timer.

- **Power supply**
Check line fuses and switches.

- **Heat element**
Check for broken element wire.

- **No gas flow**
Check for closed gas supply valves.

Troubleshooting (cont.)

Drying temperature too high

- **Operating thermostat**
Check for lint that may insulate thermostat from exhaust air. Check thermostat for function.

Motor runs with door open

- **Door switch**
Check door switch for function and switch clip actuating arm for proper switch plunger actuation.

Noise

- **Loose component**
Secure component.
- **Idler assembly**
Check alignment and bearing assembly.
- **Belt**
Replace belt.
- **Motor**
Check motor.
- **Lint**
Remove lint from rear drum groove.
- **Front drum bearings**
Lubricate or replace bearings. If loose, fasten Delrin bearing ring to drum flange with silastic or, if needed, replace Delrin ring.
- **Support roller assemblies**
Replace roller and/or shaft.
- **Baffle**
Tighten assembled baffle.
- **Blower**
Foreign matter in blower housing.

Clothes "balling" complaints

- **Large garments (sheets, spreads) "balling" instead of tumbling**
Check to see if dryer is being overloaded. Check drum speed (48 ± 3 RPM).

Odors

- **Have you recently been painting, staining or varnishing in the area where your dryer is located?**
If so, ventilate the area. When the odors or fumes are gone from the area, re-wash and dry the clothing.
- **Is there a gas leak?**
Turn off the gas supply line, leave your house and then call your local gas company.

If you need an additional parts list, contact your nearest **Sears Service Center or Parts Department**. Make sure to order by complete **Model Number** when ordering.

CHANGING VEND PRICE?

To change vend price, detach and mail the lower portion to: Customer Service Department
Greenwald Industries Inc.
212 Middlesex Ave.
Chester, CT 06412

THE COIN CHUTE HAS BEEN PRE-SET AT THE FACTORY

WHEN INCREASING IN \$.25 PRICING

Follow product information instructions—no extra parts required.

WHEN DECREASING IN \$.25 PRICING

or

CHANGING TO \$.10 PRICING

(coin sizing block required)

Order required parts using this tear-off. Block-out keys will be shipped to you at no charge. Follow product information instructions.

QUANTITY: _____

EXISTING VEND PRICE \$ _____

NEW VEND PRICE \$ _____

NAME _____

COMPANY _____

ADDRESS _____

CITY _____

DAYTIME PHONE _____

PURCHASE _____

DATE _____

Notes

Notes

Notes



For major brand repair service:

Call 24 hours a day, 7 days a week

1-800-4-MY-HOMESM (1-800-469-4663) www.sears.com

Para pedir servicio de reparación a domicilio – 1-800-676-5811

For the repair or replacement parts you need:

Call 6 a.m. – 11 p.m. CST, 7 days a week

PartsDirectSM

1-800-366-PART (1-800-366-7278) www.sears.com/partsdirect

Para ordenar piezas con entrega a domicilio – 1-800-659-7084

For the location of a Sears Service Center in your area:

Call 24 hours a day, 7 days a week

1-800-488-1222 www.sears.com

To purchase or inquire about a Sears Maintenance Agreement:

Call 7 a.m. — 5 p.m. CST, Monday — Saturday

1-800-827-6655

