



## COMPACT FREEZER

Model No. FS20L



### *Instruction Manual*

**BEFORE USE, PLEASE READ AND FOLLOW ALL SAFETY RULES  
AND OPERATING INSTRUCTIONS. KEEP THIS MANUAL IN A SECURE LOCATION.**

Write Serial Number (on back of unit) here:

\_\_\_\_\_

**Felix Storch, Inc.  
770 Garrison Avenue  
Bronx, New York 10474  
[www.summitappliance.com](http://www.summitappliance.com)**

## TABLE OF CONTENTS

<b>Technical Information</b> .....	<b>1</b>
<b>Important Safeguards</b> .....	<b>2 - 3</b>
<b>Location of Parts</b> .....	<b>4</b>
<b>Installation</b> .....	<b>4</b>
<i>Installation of Your Unit</i>	
<i>Electrical Connection</i>	
<b>Operation</b> .....	<b>5 - 6</b>
<i>Setting the Temperature Control</i> .....	<b>5</b>
<i>Using the Freezer</i> .....	<b>5</b>
<i>Defrosting Your Unit</i> .....	<b>5</b>
<i>Storage</i> .....	<b>6</b>
<i>Normal Phenomena</i> .....	<b>6</b>
<b>Cleaning and Maintenance</b> .....	<b>7 - 8</b>
<i>Cleaning Your Unit</i> .....	<b>7</b>
<i>Power Failure</i> .....	<b>7</b>
<i>Vacation Time</i> .....	<b>7</b>
<i>Moving Your Unit</i> .....	<b>7</b>
<i>Energy-Saving Tips</i> .....	<b>7</b>
<i>Reversing the Door Swing of the Freezer</i> .....	<b>8</b>
<i>Locking the Freezer</i> .....	<b>8</b>
<b>Troubleshooting</b> .....	<b>9</b>
<b>Limited Warranty</b> .....	<b>11</b>

## TECHNICAL INFORMATION

Model Number:	FS20L
Capacity:	1.6 cubic feet
Electrical Rating:	115V AC / 60Hz / 1.43A
Temperature Capability:	-20°C
Energy Consumption:	277 kWh/year
Refrigerant:	R134a, 3.17 oz
Shipping Weight:	55 lbs
Unit Dimensions:	19.75"W x 19.38"D x 19.75"H

# IMPORTANT SAFEGUARDS



Before the freezer is used, it must be properly positioned and installed as described in this manual, so read the manual carefully. To reduce the risk of fire, electrical shock or injury when using the freezer, follow basic precautions, including the following:



- Plug into a grounded 3-prong outlet, do not remove grounding prong, do not use an adapter, and do not use an extension cord.
- It is recommended that a separate circuit, serving only your freezer be provided. Use receptacles that cannot be turned off by a switch or pull chain.
- If the power cord is damaged, it must be replaced by the manufacturer, its service agent or a similarly-qualified person in order to avoid an electrical hazard.
- The power supply to the freezer must match the indicated power supply on the nameplate. Otherwise the freezer will be damaged and the manufacturer's warranty will be invalidated.
- Do not place or use anything flammable, such as gasoline, gas cylinders, solvent-based cleaning fluids, near the freezer due to the risk of fire. Substances with a high percentage of alcohol must be stored in tightly sealed bottles or other containers and should always be placed in an upright position.
- Do not locate the freezer in a damp or wet environment or in a position where it is likely to get splashed. Such an environment would weaken the electrical insulation or expose live wires, possibly causing an electric shock or fire.
- The freezer must be disconnected from its power source if it stops working or when it is being cleaned or repaired.
- To remove the plug from the socket, grasp the plug firmly and pull it out. Do not pull on the cable. Do not connect the machine to electrical outlets while your hands are wet or damp.
- If a gas leak is discovered in the same room as the freezer, turn off the gas supply. Do not open the freezer door and do not remove the plug from the main electrical supply. A small spark resulting from such actions could cause a gas explosion. Open all of the doors and windows in the room to disperse the gas.
- *Risk of child entrapment!*  
Child entrapment and suffocation are not problems of the past. Junked or abandoned refrigerators and freezers are still dangerous, even if they will "just sit for a few days."
  - √ **Before you throw away your old appliance:** Take off the doors. Leave the shelves in place so that children may not easily climb inside.
  - √ Never allow children to operate, play with, or crawl inside the freezer.



## WARNING

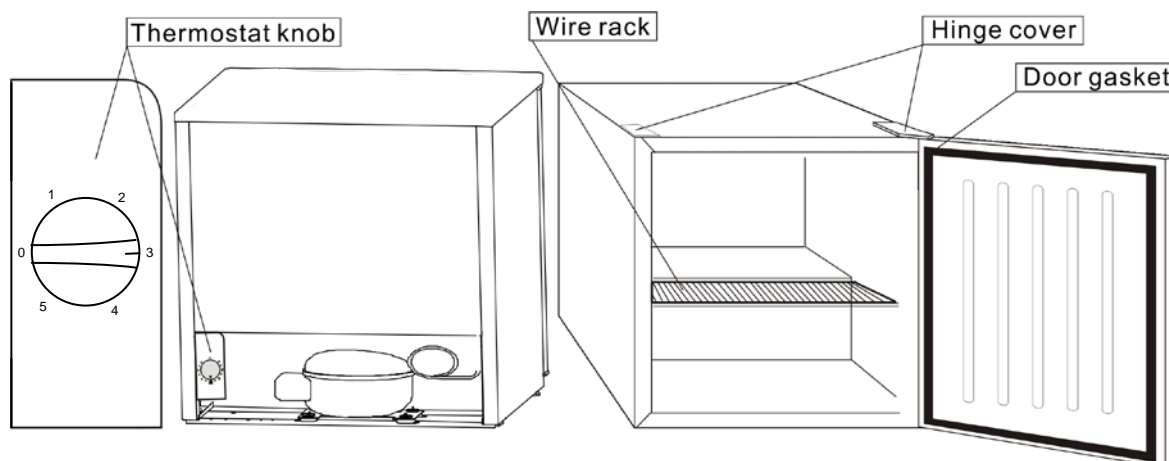
- **This unit is not designed to operate in enclosed spaces. When placing your unit, make sure you allow at least 4" of clearance on both sides, at the back and on the top. Be sure that airflow under the appliance is not obstructed.**
- Use two or more people to move and install the freezer. Failure to do so can result in back or other injury.
- To ensure proper ventilation for the freezer, the front of the unit must be completely unobstructed. Choose a well-ventilated area with temperatures above 60°F (16°C) and below 90°F (32°C). This unit must be installed in an area protected from the elements, such as wind, rain, water spray or drips, and away from direct sunlight.
- The freezer should not be located next to ovens, grills or other sources of high heat.
- The freezer must be installed with its electrical connection in accordance with state and local codes. A standard electrical supply (115 V AC only, 60 Hz), properly grounded in accordance with the National Electrical Code and local codes and ordinances is required.
- Do not kink or pinch the power supply cord of the freezer.
- The fuse (or circuit breaker) size should be 15 amperes.
- It is important for the freezer to be leveled in order to work properly. You may need to make several adjustments to level it.
- In order to ensure normal operation of the freezer, after moving it a considerable distance, you must wait for ½ to 1 hour before turning the unit on.
- After an electrical failure, wait at least 5 minutes before turning on the freezer again or the compressor may be damaged.
- This appliance is not intended for use by persons (including children) with reduced physical, sensory or mental capabilities, or lack of experience and knowledge, unless they have been given supervision or instruction concerning use of the appliance by a person responsible for their safety.
- **IMPORTANT:** Do not use mechanical devices or other means to accelerate the defrosting process, other than those recommended by the manufacturer.
- **IMPORTANT:** Do not damage the refrigerant circuit.
- **IMPORTANT:** Do not use electrical appliances inside the appliance, unless they are of the type recommended by the manufacturer.
- Do not use solvent-based cleaning agents or abrasives on the interior. These cleaners may damage or discolor the interior.
- This freezer is best suited for medical and laboratory use. Do not use this apparatus for other than its intended purpose.

### **If your electricity goes off, follow this procedure:**

- Call your power company to see how long the power will be out.
- If service is to be interrupted for less than 24 hours, keep freezer closed. This will help items inside to stay frozen.
- If service is to be interrupted for more than 24 hours, remove contents and store in another freezer.

***SAVE THESE INSTRUCTIONS***

## LOCATION OF PARTS



## INSTALLATION

### ➤ Installation of Your Unit

- Place your unit on a floor that is strong enough to support it when it is fully loaded. To level your unit, rotate the adjustable leg at the bottom.
- Allow 4 inches of clearance at the back, top and sides of the unit to allow for proper air circulation to cool the compressor and condenser. Be sure that airflow at the bottom of the unit is not blocked.
- Locate the unit away from direct sunlight and sources of heat (stove, heater, radiator, etc.). Direct sunlight may affect the acrylic coating and heat sources may increase electrical consumption. Extremely cold ambient temperatures may also cause the unit to perform improperly.
- Avoid locating the unit in moist areas. Too much moisture in the air will cause frost to form quickly on the interior surface requiring more frequent defrosting of the unit.
- Plug the unit into an exclusive, properly installed, grounded wall outlet. Do not under any circumstances cut or remove the third (ground) prong from the power cord. Any questions concerning power and/or grounding should be directed toward a certified electrician or an authorized service center.

### ➤ Electrical Connection

Improper use of the grounded plug can result in the risk of electrical shock. If the power cord is damaged, have it replaced by an authorized service center.

This unit should be properly grounded for your safety. The power cord of this unit is equipped with a three-prong plug which mates with standard three prong wall outlets to minimize the possibility of electrical shock.

Do not under any circumstances cut or remove the third ground prong from the power cord supplied.

Never use an extension cord to connect power to the unit.

Never use a two-prong grounding adapter.

Where a two-prong wall receptacle is encountered, contact a qualified electrician to have it replaced with a 3-prong receptacle in accordance with applicable electrical codes.

This unit requires a standard 115-volt AC, 60 Hz electrical outlet with three-prong ground.

To prevent accidental injury, the cord should be secured behind the unit and not left exposed or dangling. Keep cord away from the compressor at the back of the unit since the high surface temperature of the compressor could deactivate the cord's insulation and cause electrical leakage.

# OPERATION

## ➤ Setting the Temperature Control

- The cabinet temperature is controlled by the thermostat located at the back of the unit. Rotate the dial to adjust the cabinet temperature.
- To turn the freezer off, turn the temperature control to **0**.
- Turning the temperature control clockwise from this setting turns the device on automatically.
- The settings **1** through **5** regulate the inside temperature. Setting **1** (minimum) results in the warmest inside temperature, while setting **5** (maximum) results in the coldest inside temperature.
- During initial operation, turn the temperature control to the highest setting (**5**) first, and leave it there for about 20 minutes. Afterwards, turn the control back to the medium position of **3**. This setting should be correct for most uses.
- The optimum position of the temperature control depends on the temperature you prefer. Cabinet temperature is affected by the ambient temperature, frequency of door opening, the amount of stored items and the placement of the freezer. You should adjust the control according to current conditions.
- Although the temperature control is generally set at the midpoint of the dial, when room temperature is lower than usual, you should place the dial at a lower setting. Conversely, if room temperature is higher than normal, adjust the thermostat to a higher setting.

### **NOTES:**

- Turning the temperature control to the **0** position stops the cooling cycle but does not shut off the power to the unit.
- If the unit is unplugged, has lost power, or was turned off; you must wait 3 to 5 minutes before restarting the unit. If you attempt to restart before this time delay, the unit will not start.

## ➤ Using the Freezer

- This compartment is designed for the long term storage of frozen items.
- Recommended storage times should not be exceeded. Instructions regarding the care of frozen items should be followed when defrosting the freezer.
- Place frozen items into the freezer as quickly as possible. If there are instructions on the packet, carefully follow these instructions regarding storage times.

## ➤ Defrosting Your Unit

When? For the most efficient operation and minimum energy consumption, defrost the unit when the frost on the evaporator wall is excessive or ¼ inch thick.

How? Remove all frozen items from the unit and place in another freezer. To start defrosting, turn the temperature control to **0**, unplug the unit and remove the frozen items and shelf. After the frost or ice has melted, use a clean sponge or towel to remove the melt water, then thoroughly dry the interior of the unit. The unit can be restarted by turning the thermostat to the desired setting.

### **CAUTION**

**Although you can place a bowl of warm water (about 125°F) into the freezer to speed defrosting, do not use boiling water because it could damage plastic parts. In addition, never use a sharp or metallic instrument to remove frost as it may damage the cooling system and will void the warranty. We recommend using a plastic scraper.**

➤ **Storage**

- Stored items must be properly packaged.
- Never store any inflammable, volatile or explosive substances.
- Stored items should not touch the rear wall of the freezer.
- An unpleasant odor inside the freezer is a sign that something is wrong with the stored items or that the freezer needs cleaning. Odors may be eliminated or reduced by washing the interior of the freezer with a mild solution of water and vinegar. (Turn off and unplug the appliance first!) We also recommend using activated carbon filters to clean the air or to neutralize odors.

➤ **Normal Phenomena**

- It is normal that both side panels and the top of the freezer be warm because of the built-in condenser.
- There may be condensation on the surface of the appliance when it is placed in an area of high humidity or when the weather is hot. It resembles the moisture that condenses on a glass of cold liquid during summer. Dry it with a clean, soft cloth.
- Occasionally the sound of a gurgling liquid can be heard. This is the refrigerant flowing through the condensing tubes. The sound can also be heard when the freezer stops working.

# CARE AND MAINTENANCE

## ➤ Cleaning Your Unit

*The freezer should be cleaned and maintained at least once a month. When performing cleaning and maintenance, make absolutely sure that the power plug is first disconnected from the power outlet.*

- Turn the temperature control to **0**, unplug the unit and remove frozen items and shelf.
- Wash the inside with a solution of warm water and baking soda. The solution should consist of about 2 tablespoons of baking soda per quart of water. Never use harsh cleansers, solvents or hot water.
- Wash the shelf and door gasket with a mild detergent solution.
- The outside of the unit should be cleaned with mild detergent and warm water.

### **CAUTION**

**Failure to unplug the unit before cleaning could result in electrical shock or personal injury.**

## ➤ Power Failure

Most power failures are corrected within a few hours and should not affect the temperature of your unit if you minimize the number of times the door is opened. If the power is going to be off for a longer period of time, you need to take the proper steps to protect the contents.

## ➤ Vacation Time

- **Short vacations:** Leave the unit operating during vacations of less than three weeks.
- **Long vacations:** If the appliance will not be used for several months, remove all items and unplug the power cord. Clean and dry the interior thoroughly. To prevent odor and mold growth, leave the door open slightly, blocking it open if necessary.

## ➤ Moving Your Unit

- Remove the contents.
- Securely tape down the shelf inside your unit.
- Turn the leveling screws up to the base to avoid damage.
- Tape the door shut.
- Be sure the unit stays in the upright position during transportation.

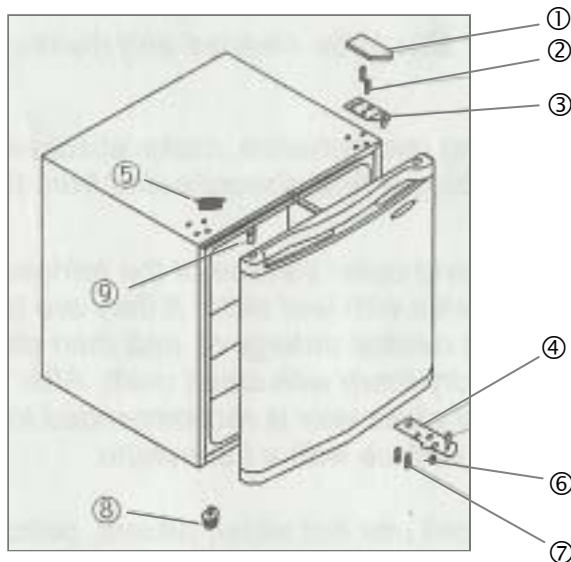
## ➤ Energy-Saving Tips

- The unit should be located in the coolest area of the room, away from heat-producing appliances or heating ducts, and out of direct sunlight.
- Let hot items cool to room temperature before placing them in the unit.
- Overloading the unit forces the compressor to run longer. Items that freeze too slowly may lose quality or spoil.
- Be sure to wrap stored items properly and wipe containers dry before placing them in the unit. This cuts down on frost build-up inside the unit.
- The shelf should not be lined with aluminum foil, wax paper or paper toweling. Liners interfere with cold air circulation, making the unit less efficient.
- Organize and label items to reduce door openings and extended searches. Remove as many items as needed at one time, and close the door as soon as possible.

### ➤ **Reversing the Door Swing of the Freezer**

This appliance has the capability of the door opening from either the left or the right side. The unit is delivered to you with the door opening from the left side. Should you desire to reverse the opening direction, follow the directions below. If you have a problem, call SUMMIT Customer Service at **1-800-932-4267**.

- 1) *Door hinge cap*
- 2) *Door hinge screws*
- 3) *Upper door hinge*
- 4) *Lower door hinge*
- 5) *Plug*
- 6) *Short leg*
- 7) *Door hinge bolts*
- 8) *Front leveling leg*
- 9) *Hinge plug (door frame)*



- a) Remove the upper hinge cap (1).
- b) Carefully pry out the plug buttons (5).
- c) Remove the two Phillips screws (2) that connect the upper hinge (3) on the right side of the cabinet top.
- d) Carefully lift off the door and place it on a padded surface to keep it from being scratched.
- e) Remove the hinge plug (9) and transfer it to the uncovered hole at the right edge. Be sure to press the button firmly into the hole.
- f) Remove the two bolts (7) that hold the lower hinge (4) on the right side.
- g) Remove the screw-type leveling front leg (8) and transfer it to the right side, switching it with the short leg (6).
- h) Set the door into its new place making sure the pin enters the bushing at the lower frame section (hole).
- i) Secure the upper hinge (3) previously removed in step (c) on the left side. Make sure the pin enters the bushing at the upper frame section (hole).
- j) Loosely secure the lower door hinge (4) on the left side and do not tighten the bolts until the door is in the closed position and leveled.
- k) Insert the plug buttons (5) into the uncovered holes (right side).
- l) Replace the upper hinge cap (1).

### ➤ **Locking the Freezer**

The freezer comes with two keys and a lock at the bottom center of the door. Turn the key a quarter-turn to the left to lock the door, and a quarter-turn to the right to unlock it. Keep keys in a secure place.

## TROUBLESHOOTING

You can solve many common freezer problems easily, saving you the cost of a possible service call. Try the suggestions below to see if you can solve the problem before calling a service technician.

PROBLEM	POSSIBLE CAUSE
Unit does not operate.	Not plugged in. The circuit breaker has tripped or fuse has blown. The temperature control is set at <b>0</b> .
Freezer is not cooling sufficiently.	Items may be packed too close together, which will block the flow of cool air. A large number of items may have been put into the freezer at the same time. Items may have been warm or hot when put into freezer. Door may not be closed properly, or door gasket may be damaged. There may be insufficient clearances around freezer. Temperature dial may be set improperly.
Unit seems to be noisy.	A rattling noise may come from the flow of the refrigerant, which is normal. As each cycle ends, you may hear gurgling sounds caused by the flow of refrigerant in the unit. Contraction and expansion of the inside walls may cause popping and crackling noises. The unit is not level.
Cabinet's top and side panels become warm.	The top and side panels of the unit will heat up when the door is opened frequently, when the unit is first started and when the unit operates in summer with high ambient temperatures. In such cases, do not touch the top and sides of the unit. The warming results from the dissipation of the heat from inside the cabinet and does not mean that something is wrong with the freezer.
Condensation forms on the outside of the freezer.	Condensation may form when the surrounding humidity is high. This does not indicate a malfunction. Wipe dry with a clean, soft cloth.
The door will not close properly.	The unit is not level. The door is reversed and not properly installed. The gasket is dirty. The shelf is out of position.

If your freezer shows other symptoms than those described above, or if you have checked all items listed as the cause and the problem still exists, then call SUMMIT® Customer Service at

**1-800-932-4267**

# NOTES



# LIMITED WARRANTY

## ONE-YEAR LIMITED WARRANTY

Within the 48 contiguous United States, for one year from the date of purchase, when this appliance is operated and maintained according to instructions attached to or furnished with the product, warrantor will pay for factory-specified parts and repair labor to correct defects in materials or workmanship. Service must be provided by a designated service company. Outside the 48 states, all parts are warranted for one year from manufacturing defects. Plastic parts, shelves and cabinets are warranted to be manufactured to commercially acceptable standards, and are not covered from damage during handling or breakage.

## 5-YEAR COMPRESSOR WARRANTY

1. The compressor is covered for 5 years.
2. Replacement does not include labor.

### **ITEMS WARRANTOR WILL NOT PAY FOR:**

1. Service calls to correct the installation of your appliance, to instruct you how to use your appliance, to replace or repair fuses or to correct wiring or plumbing.
2. Service calls to repair or replace appliance light bulbs or broken shelves. Consumable parts (such as filters) are excluded from warranty coverage.
3. Damage resulting from accident, alteration, misuse, abuse, fire, flood, acts of God, improper installation, installation not in accordance with electrical or plumbing codes, or use of products not approved by warrantor.
4. Replacement parts or repair labor costs for units operated outside the United States.
5. Repairs to parts or systems resulting from unauthorized modifications made to the appliance.
6. Expenses for travel and transportation for product service in remote locations.
7. The removal and reinstallation of your appliance if it is installed in an inaccessible location or is not installed in accordance with published installation instructions.

## DISCLAIMER OF IMPLIED WARRANTIES – LIMITATION OF REMEDIES

CUSTOMER'S SOLE AND EXCLUSIVE REMEDY UNDER THIS LIMITED WARRANTY SHALL BE PRODUCT REPAIR AS PROVIDED HEREIN. IMPLIED WARRANTIES, INCLUDING WARRANTIES OF MERCHANTABILITY OR FITNESS FOR A PARTICULAR PURPOSE, ARE LIMITED TO ONE YEAR. WARRANTOR SHALL NOT BE LIABLE FOR INCIDENTAL OR CONSEQUENTIAL DAMAGES. SOME STATES DO NOT ALLOW THE EXCLUSION OR LIMITATION OF INCIDENTAL OR CONSEQUENTIAL DAMAGES, OR LIMITATIONS ON THE DURATION OF IMPLIED WARRANTIES OF MERCHANTABILITY OR FITNESS, SO THESE EXCLUSIONS OR LIMITATIONS MAY NOT APPLY TO YOU. THIS WARRANTY GIVES YOU SPECIFIC LEGAL RIGHTS AND YOU MAY ALSO HAVE OTHER RIGHTS, WHICH VARY FROM STATE TO STATE.

**WARNING!** This product may contain chemicals known to the state of California to cause cancer or birth defects or other reproductive harm. For more information, visit: [www.summitappliance.com/prop65](http://www.summitappliance.com/prop65)

Chemicals known by the manufacturer to be present in this product in concentrations higher than threshold limits: NONE.

**FELIX STORCH, INC.**  
**770 Garrison Avenue**  
**Bronx, NY 10474**  
**Phone: (718) 893-3900**  
**Fax: (718) 842-3093**  
**[www.summitappliance.com](http://www.summitappliance.com)**

The logo for Summit Appliance, featuring the word "SUMMIT" in a bold, black, sans-serif font. The letters are slightly shadowed, giving it a three-dimensional appearance.

For parts and accessory ordering,  
troubleshooting and helpful hints, visit:  
**[www.summitappliance.com/support](http://www.summitappliance.com/support)**