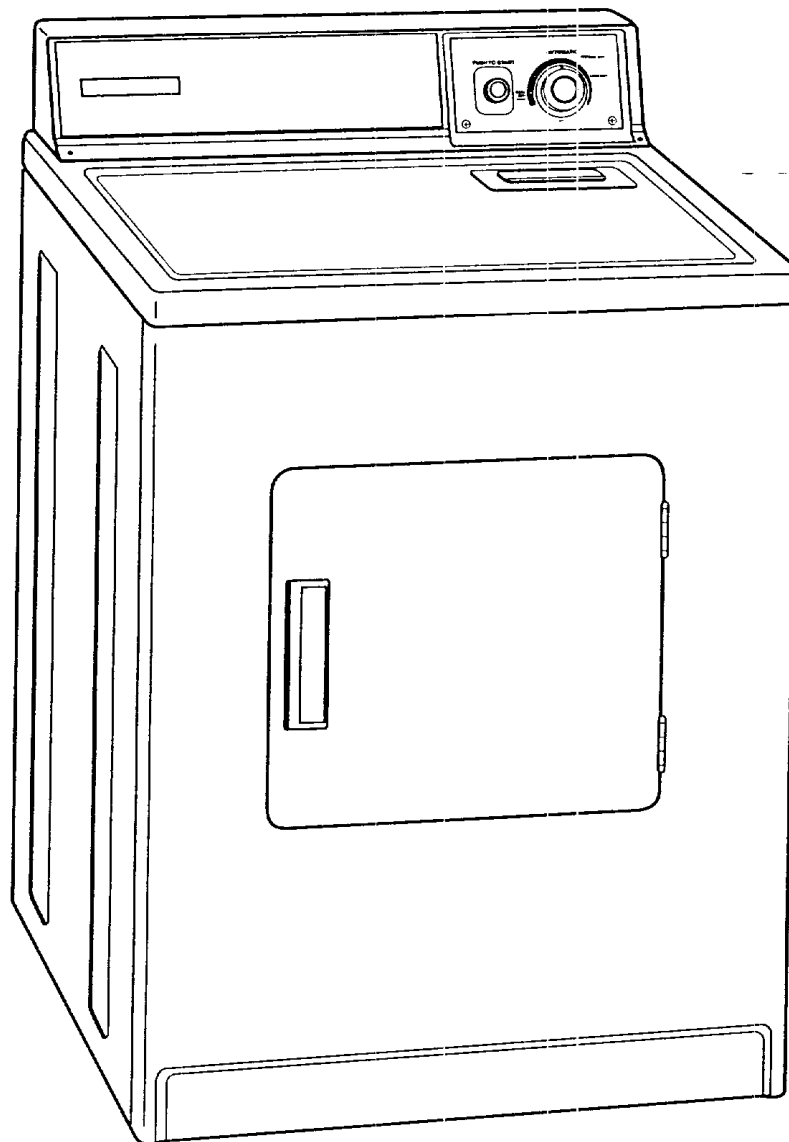


SEARS Owner's Manual

29-Inch Wide ELECTRIC DRYERS



IMPORTANT:

Read and follow all safety instructions and operating instructions before first use of this product.

Sears, Roebuck and Co., Hoffman Estates, IL 60179 U.S.A.

PART NO. 3405585 PRINTED IN U.S.A.

SAFETY

INSTALLATION

OPERATION

MAINTENANCE

TROUBLESHOOTING

SERVICE

ESPAÑOL

TABLE OF CONTENTS

BEFORE USING YOUR NEW DRYER	2
SEARS ELECTRIC DRYER WARRANTY	3
IMPORTANT SAFETY INSTRUCTIONS	3
INSTALLATION INSTRUCTIONS	4
OPERATING YOUR DRYER	20
CARING FOR YOUR DRYER	22
TROUBLESHOOTING	25
SEARS MAINTENANCE AGREEMENT	27
REQUESTING ASSISTANCE OR SERVICE:	28

BEFORE USING YOUR NEW DRYER

Please read this manual. It will help you install and operate your new electric dryer in the safest and most economical way.

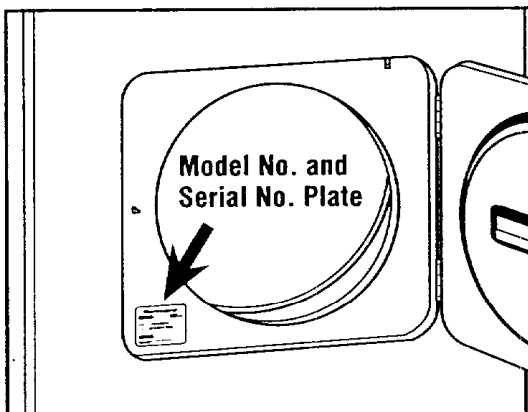
For information about the care and operation of Sears appliances call your nearest Sears store. You will need the complete model and serial numbers when requesting information. Your dryer's model and serial numbers are located on the Model and Serial Number Plate.

Use the space below to record the model number and serial number of your new electric dryer.

Model No. _____

Serial No. _____

Date of Purchase _____



Keep this book and your sales check (receipt) in a safe place for future reference.

SEARS ELECTRIC DRYER WARRANTY

SAFETY

90-DAY WARRANTY ON MECHANICAL AND ELECTRICAL PARTS

For ninety days from the date of purchase, when the dryer is installed and operated according to the instructions in the Owner's Manual, Sears will repair or replace any mechanical or electrical parts in this dryer, if defective in material or workmanship.

WARRANTY SERVICE IS AVAILABLE BY CONTACTING THE NEAREST SEARS SERVICE CENTER IN THE UNITED STATES.

This warranty applies only while this product is in use in the United States. This warranty gives you specific legal rights, and you may also have other rights which vary from state to state.

Sears Roebuck and Co., Dept. 817WA, Hoffman Estates, IL 60179.

NOTE: Exhausting your dryer with plastic duct may not be covered by your manufacturer's warranty. Pages 16-19 of this Owner's Manual describe the complete exhaust requirements for this dryer.

IMPORTANT SAFETY INSTRUCTIONS

YOUR SAFETY IS IMPORTANT TO US.

WARNING: To reduce the risk of fire, electric shock, or injury to persons when using your dryer, follow basic precautions, including the following:

- Read all instructions before using the dryer.
- Do not dry articles that have been previously cleaned in, washed in, soaked in, or spotted with gasoline, dry-cleaning solvents, other flammable or explosive substances as they give off vapors that could ignite or explode.
- Do not allow children to play on or in the dryer. Close supervision of children is necessary when the dryer is used near children.
- Before the dryer is removed from service or discarded, remove the door to the drying compartment.
- Do not reach into the dryer if the drum is moving.
- Do not install or store this dryer where it will be exposed to the weather.
- Do not tamper with controls.
- Do not repair or replace any part of the dryer or attempt any servicing unless specifically recommended in the user-maintenance instructions or in published user-repair instructions that you understand and have the skills to carry out.

- Do not use fabric softeners or products to eliminate static unless recommended by the manufacturer of the fabric softener or product.
- Do not use heat to dry articles containing foam rubber or similarly textured rubber-like materials.
- Clean lint screen before or after each load.
- Keep area around the exhaust opening and adjacent surrounding areas free from the accumulation of lint, dust, and dirt.
- The interior of the machine and exhaust duct should be cleaned periodically by qualified service personnel.

This guide contains safety statements under warning symbols. Please pay special attention to the warning boxes similar to the one below and follow any instructions given.

WARNING

The information in this box will alert you to such dangers as fire, electrical shock, burns and personal injury.

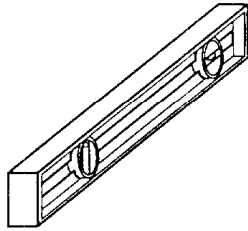
SAVE THESE INSTRUCTIONS

INSTALLATION INSTRUCTIONS

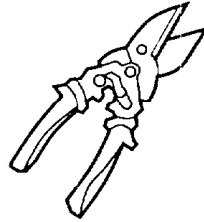
IMPORTANT:

Observe all governing codes and ordinances.

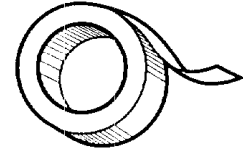
TOOLS NEEDED FOR INSTALLATION



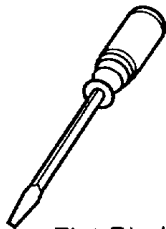
Level



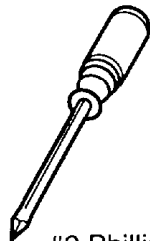
Tin Snips



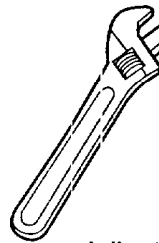
Duct Tape



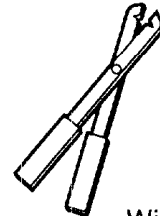
Flat-Bladed Screwdriver



#2 Phillips Head Screwdriver



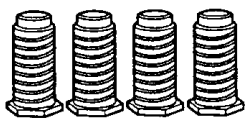
Adjustable Wrench



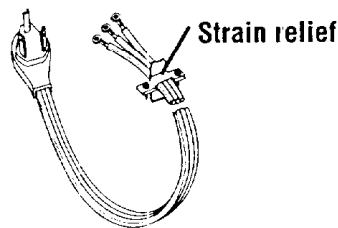
Wire Stripper

PARTS NEEDED FOR INSTALLATION

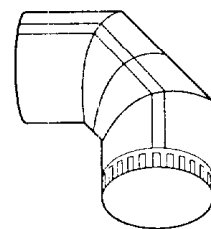
Remove leveling legs from package.



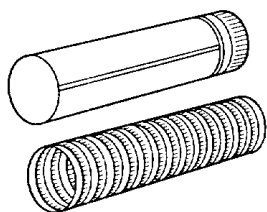
4 Leveling Legs
(supplied with dryer)



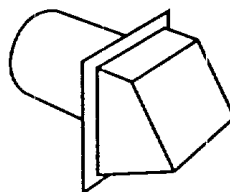
New 3- or 4-Wire, 30-Amp.
U.L.-listed Power Supply Cord
Kit (includes strain relief)



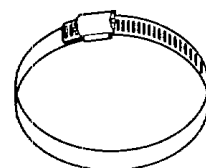
4-Inch Metal Elbow
(optional depending
on installation)



4-Inch Rigid or
Flexible Metal Duct



4-Inch Outlet
Exhaust Hood



(2) 4-Inch Diameter
Clamps


LOCATING YOUR DRYER – STANDARD INSTALLATION

for your **Benefit**

Selecting the proper location for your dryer makes installation easier and gives you the best drying performance.

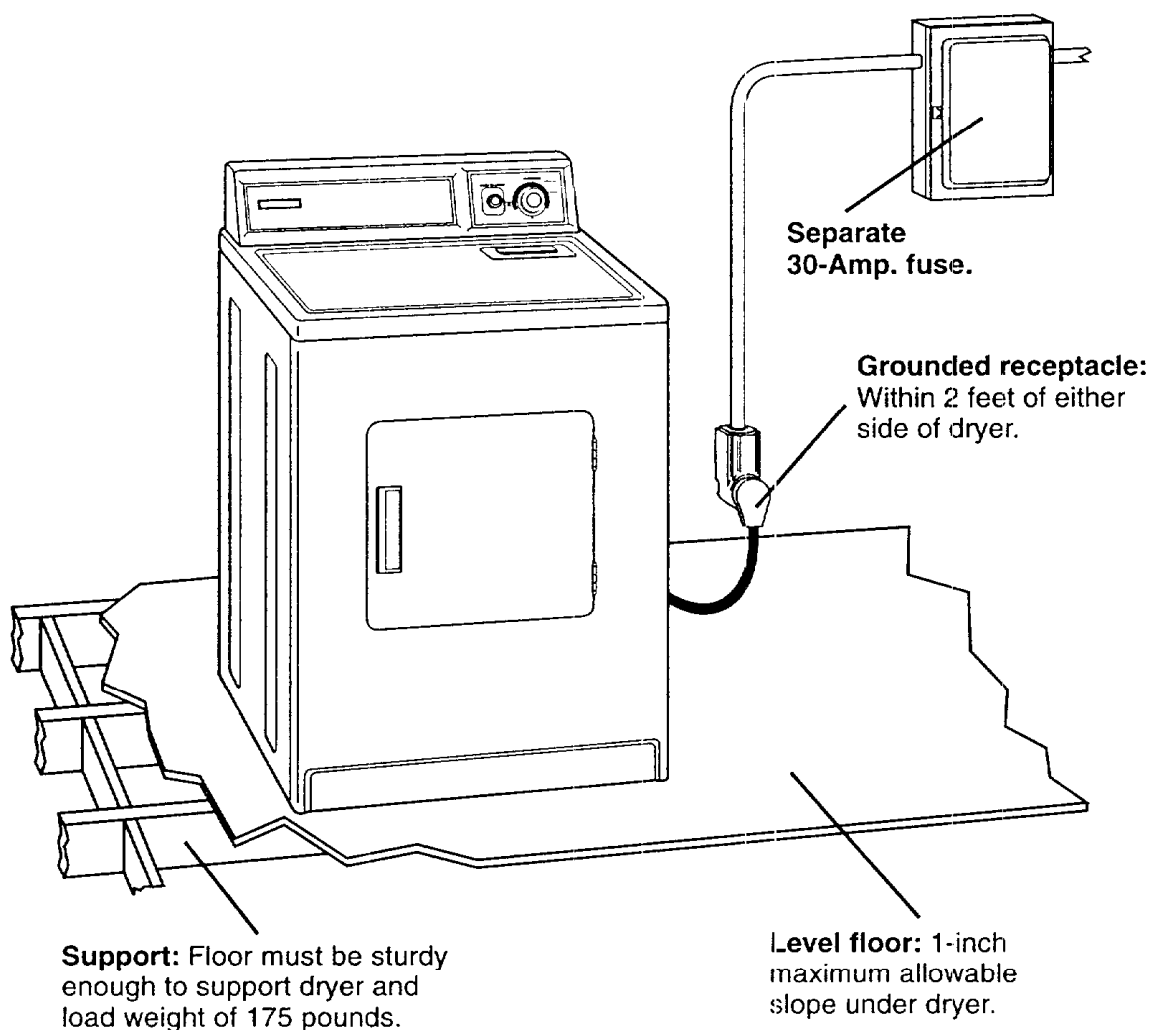
Protect from the weather. Proper operation of dryer cycles requires temperatures above 45°F. At lower temperatures, the dryer may not shut off at the end of automatic cycles. Drying times will be extended.

Check code requirements. Some codes limit or do not permit installation of clothes dryers in garages, closets, mobile homes or sleeping quarters. Contact your local building inspector.

⚠ WARNING

Explosion Hazard Keep flammable materials and vapors away from dryer. Place dryer at least 18 inches above the floor for a garage installation. Failure to do so can result in death, explosion, fire, or burns.

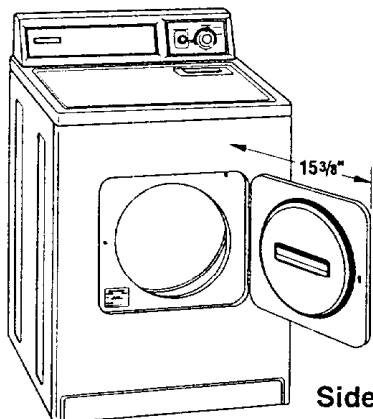
INSTALLATION

Check location where dryer will be installed. Proper installation is your responsibility. Make sure you have everything necessary for correct installation including support, a level floor and a separate 30-Amp. fuse.



DOOR CLEARANCE/RECESSED AREA INSTRUCTIONS

Location must be large enough to fully open dryer door.



Side-Swing Door

This dryer may be installed in a recessed area or closet.

Exhausting your dryer indoors is Not recommended. The moisture and lint indoors may cause:

- Lint to gather inside and around the dryer and be a fuel for a fire.
- Moisture damage to woodwork, furniture, paint, wallpaper, carpet, etc.
- Housecleaning problems and possible health problems.

⚠ **WARNING**

Fire Hazard

Exhaust dryer outside if installed in a closet.

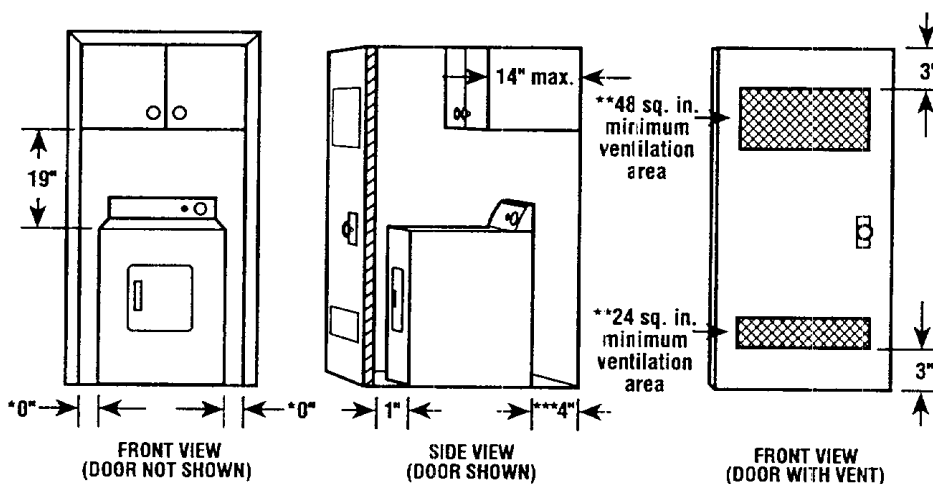
Use Exhaust Deflector Kit #3391278 if installed in a recessed area.

Failure to do so can result in death or fire.

NOTE: No fuel burning appliances may be installed in the same closet as a dryer.

Exhausting the dryer outside is recommended. A closet installation must be exhausted outside. Recessed installation that is not exhausted outside must use Exhaust Deflector Kit Part No. 3391278 available from your dealer.

If the dryer is installed in a confined area such as a bedroom, bathroom, or closet, it must be exhausted to the outside. Check governing codes and ordinances.



MINIMUM INSTALLATION SPACING. CLOSET INSTALLATION MUST BE EXHAUSTED.
 * ADDITIONAL CLEARANCES FOR WALL, DOOR AND FLOOR MOLDINGS MAY BE REQUIRED.
 ** OPENING IS MINIMUM FOR CLOSET DOOR. LOUVERED DOOR WITH EQUIVALENT AIR OPENINGS IS ACCEPTABLE.
 *** ADDITIONAL SPACE IS NEEDED WHEN EXTERNAL EXHAUST ELBOW IS USED.

- The installation spacing is in inches and is the minimum allowable.
- Additional spacing should be considered for ease of installation and servicing.
- If closet door is installed, the minimum air openings in top and bottom are required.
- Louvered doors with equivalent air openings in top and bottom are acceptable. Closet installation must be exhausted. Other installations must use at least the minimum dimensions indicated.
- Additional space for other appliances to be installed in the area should be considered.

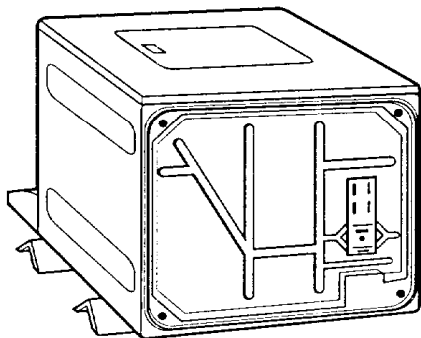
INSTALL LEVELING LEGS

for your **Benefit**

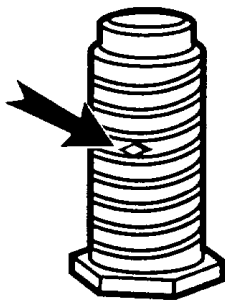
Leveling your dryer correctly will reduce operating noise and provide improved drying performance.

STEP 1. Take two of the cardboard corners from the carton. Place them on the floor in back of the dryer.

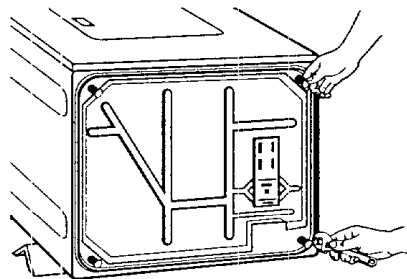
STEP 2. Firmly grasp the body of the dryer (not the top or console panel). Gently lay it on its back on the cardboard corners.



STEP 3. With one of the legs in hand, check the ridges for a diamond marking.

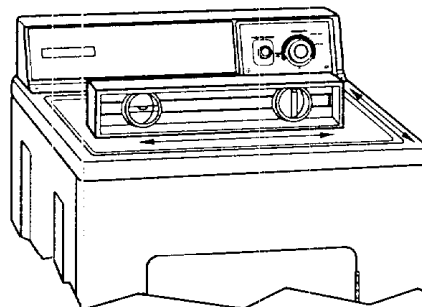


STEP 4. Start to screw the legs into the holes by hand. Use an adjustable wrench or other type wrench to finish turning the legs until you reach the diamond marking. Later adjustment may be needed.



STEP 5. Now stand the dryer up. Slide dryer onto cardboard and move dryer close to its final location. Leave enough room to connect the exhaust duct.

STEP 6. Remove cardboard from under dryer. Check levelness of dryer by placing level on top of the dryer, first side-to-side, then front-to-back. If dryer is not level, adjust the legs up or down. It may be necessary to level the dryer after it is moved into its final position.



MAKE ELECTRICAL CONNECTION

It is your responsibility:

- To contact a qualified electrical installer.
- To assure that the electrical installation is adequate and in conformance with National Electrical Code, ANSI/NFPA 70 – latest edition,* and all local codes and ordinances.

*Copies of the standards listed above may be obtained from:

**National Fire Protection Association
Battery March Park
Quincy, Massachusetts 02269**

ELECTRICAL REQUIREMENTS

for your **Benefit**

The proper electrical connection ensures a safe installation that meets local code requirements.

WARNING: This appliance must be grounded. In the event of malfunction or breakdown, grounding will reduce the risk of electric shock by providing a path of least resistance for electric current.





This dryer is manufactured with the 3-wire frame-grounding conductor connected to the NEUTRAL (center) of the wiring harness of the terminal block. Do Not have a fuse in the neutral or grounding circuit. A fuse in the neutral or grounding circuit could result in an electrical shock.

If local codes do not permit this type of connection, we recommend a "Four-Wire Connection."

A three-wire or four-wire, single phase 120/240-volt, 60-Hz, AC-only, electrical supply (or three-wire or four-wire, 120/208-volt if specified on serial/rating plate) is required on a separate 30-ampere circuit, fused on both sides of the line. A time-delay fuse or circuit breaker is recommended.

A wiring diagram is located inside the console.

ELECTRICAL CONNECTION OPTIONS


If Your Home Has:		And You Will Be Connecting To:	Go To This Page
A 3-wire electrical receptacle (NEMA Type 10-30R)		A U.L.-listed 120/240-volt minimum, 30-amp., dryer power supply cord.*	9 – A
3-wire direct (NEMA Type 10-30R)		A fused disconnect or circuit breaker box.*	10 – B
A 4-wire electrical receptacle (NEMA Type 14-30R)		A U.L.-listed 120/240-volt minimum, 30-amp., dryer power supply cord.	12 – C
4-wire direct (NEMA Type 14-30R)		A fused disconnect or circuit breaker box.	14 – D

*If local codes do not permit the connection of a frame-grounding conductor to the neutral wire, see the instructions on page 12.

A. MAKE THREE-WIRE ELECTRICAL CONNECTION TO RECEPTACLE

If using a 3-wire power cord:

⚠ WARNING



Electrical Shock Hazard

Turn power supply off before connecting cord.

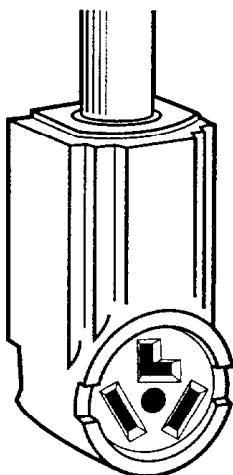
Use a new 30-ampere power supply cord.

Plug into a grounded outlet.

Failure to follow these instructions can result in death, fire, or electrical shock.

Local codes may permit the use of a U.L.-listed, 120/240-volt minimum, 30-ampere, dryer power supply cord kit (pigtail). Power supply cord should be type SRD or SRDT and be at least four feet long. The wires that connect to the dryer must end with ring terminals or spade terminals with upturned ends. A $\frac{3}{4}$ " U.L.-listed strain relief must be installed where the power supply cord connects to the dryer. Do Not modify the power supply cord plug. If it does not fit the outlet, have a proper outlet installed by a qualified electrician.

The power supply cord must have three, No.-10 copper wires to match a three-wire receptacle of NEMA Type 10-30R.



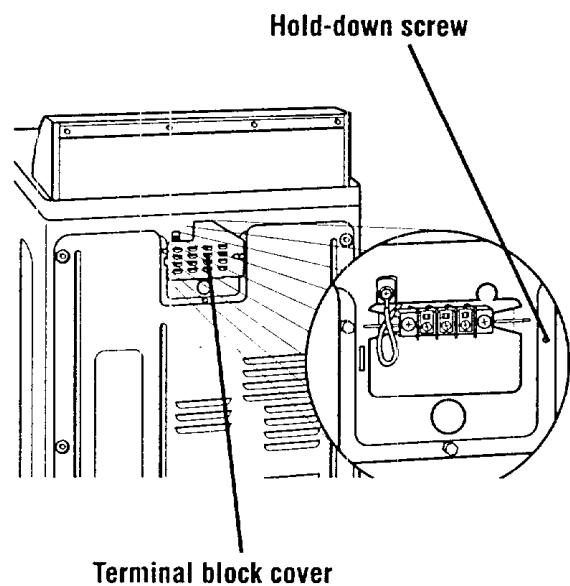
Three-wire receptacle (10-30R)

Do Not use an extension cord with this dryer.

Do Not connect plug end of power supply cord into a live receptacle before connecting power supply cord to dryer terminal block.

STEP 1. Turn power supply off.

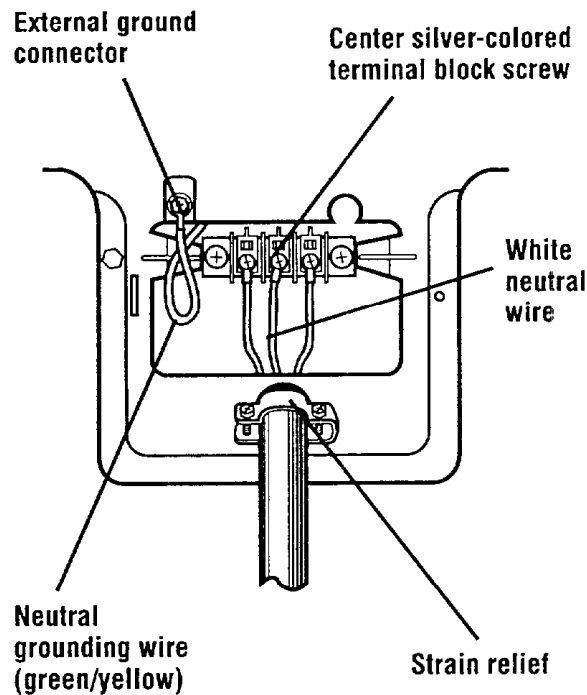
STEP 2. Remove hold-down screw and terminal block cover.



STEP 3. Attach $\frac{3}{4}$ " U.L.-listed strain relief (U.L. marking on strain relief) to the hole below terminal block opening. Put the power supply cord through the strain relief.

STEP 4. Loosen or remove terminal block screws. Connect the neutral wire (white or center) of power supply cord under the center screw of the terminal block.

STEP 5. Connect the other two wires to outer terminal block screws using the same method(s) described in STEP 4. Tighten all terminal block screws firmly.



3-Wire Connection with Frame-Grounding Conductor

STEP 6. Tighten the strain relief screws.


STEP 7. Insert tab of terminal block into slot of the dryer rear panel. Secure cover with hold-down screw.

Continue Installation on Page 16.

B. MAKE THREE-WIRE ELECTRICAL CONNECTION TO DIRECT WIRE

If making a direct wire connection:

⚠ WARNING



Electrical Shock Hazard

Turn power supply off before connecting wires.

Use 10 gauge solid copper wire.

Electrically ground dryer.

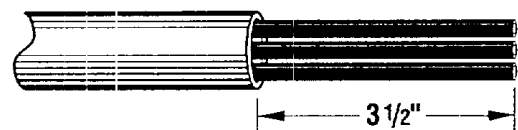
Failure to follow these instructions can result in death, fire, or electrical shock.

The dryer can be connected directly to fused disconnect or circuit breaker box with three-wire flexible armored or non-metallic sheathed copper cable (with grounding wire). All current-carrying wires must be insulated.

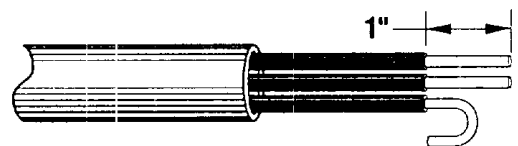
A conduit connector must be installed at junction box. Allow four feet of slack in the line so dryer can be moved if servicing is ever necessary.

STEP 1. Turn power supply off.

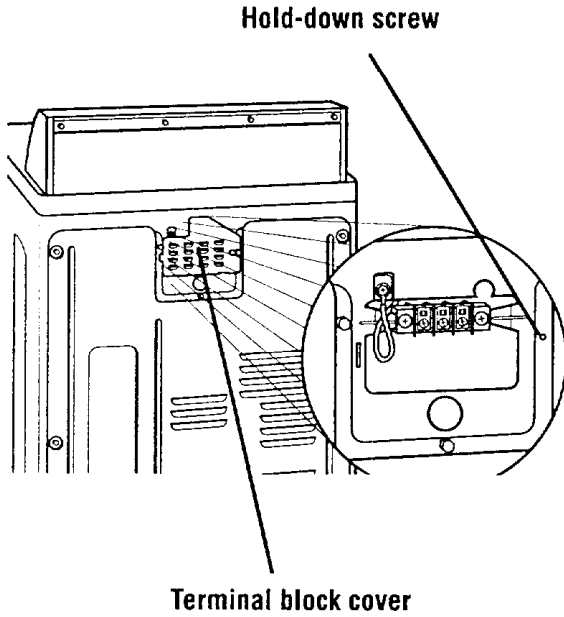
STEP 1a. Strip 3½ inches of outer covering from end of cable. If using 3-wire cable with grounding wire, cut the bare wire even with outer covering.



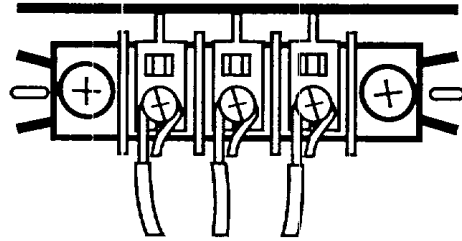
STEP 1b. Strip 1 inch of insulation from the end of each insulated wire. Shape the end of each wire into a "U" shaped hook.



STEP 2. Remove hold-down screw and terminal block cover.



STEP 4a. Place the hook-shaped end of the wire over the terminal block screw. The open side of the hook should face to the right. Squeeze hook end of wire together to form a loop.



INSTALLATION

STEP 3. Attach $\frac{3}{4}$ " U.L.-listed strain relief (U.L. marking on strain relief) to the hole below terminal block opening. Put the direct wire cable through the strain relief.

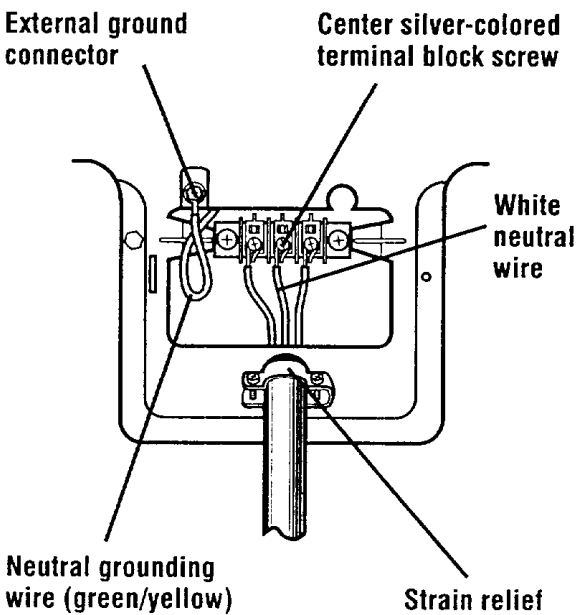
STEP 4. Loosen or remove terminal block screws. Connect the neutral wire (white or center) of direct wire cable under the center screw of the terminal block.

STEP 5. Connect the other two wires to outer terminal block screws using the same method(s) described in STEP 4a. Tighten all terminal block screws firmly.

STEP 6. Tighten the strain relief screws.

STEP 7. Insert tab of terminal block cover into slot of the dryer rear panel. Secure cover with hold-down screw.

Continue Installation on Page 16.

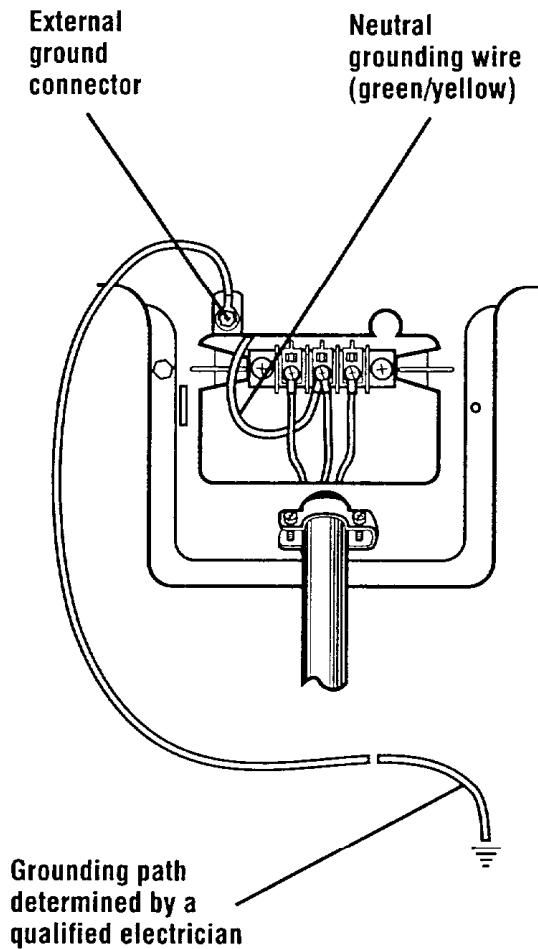


3-Wire Connection with Direct Wire

ALTERNATE CONNECTION:
If local codes do NOT permit the connection of a frame-grounding conductor to the neutral wire:

Follow STEPS 1-7 for either Section A or Section B with these required additions:

STEP 4. Remove the neutral grounding wire (green/yellow wire) from external grounding connector screw. Continue with STEP 4.




Alternate 3-Wire Connection with External-Grounding Conductor

STEP 8. Connect separate copper grounding wire from external ground connector to an adequate ground. If codes permit and a separate grounding wire is used, it is recommended that a qualified electrician determine that the grounding path is adequate.

Continue Installation on Page 16.

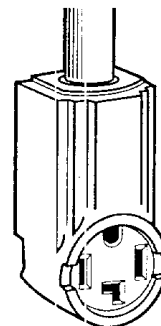
C. MAKE FOUR-WIRE ELECTRICAL CONNECTION TO RECEPTACLE

If using a 4-wire power cord:

⚠ WARNING

Electrical Shock Hazard Turn power supply off before connecting cord. Use a new 30-ampere power supply cord. Plug into a grounded outlet. Failure to follow these instructions can result in death, fire, or electrical shock.

Local codes may permit the use of a U.L.-listed, 120/240-volt minimum, 30-ampere, dryer power supply cord kit (pigtail). Power supply cord should be type SRD or SRDT and be at least four feet long. The wires that connect to the dryer must end with ring terminals or spade terminals with upturned ends. A 3/4" U.L.-listed strain relief must be installed where the power supply cord connects to the dryer. Do Not modify the power supply cord plug. If it does not fit the outlet, have a proper outlet installed by a qualified electrician.

For mobile homes or other four-wire installations, the power supply cord must have four, No.-10 copper wires and match a four-wire receptacle of NEMA Type 14-30R. The fourth wire (grounding conductor) must be identified with a green cover and the neutral conductor by a white cover.



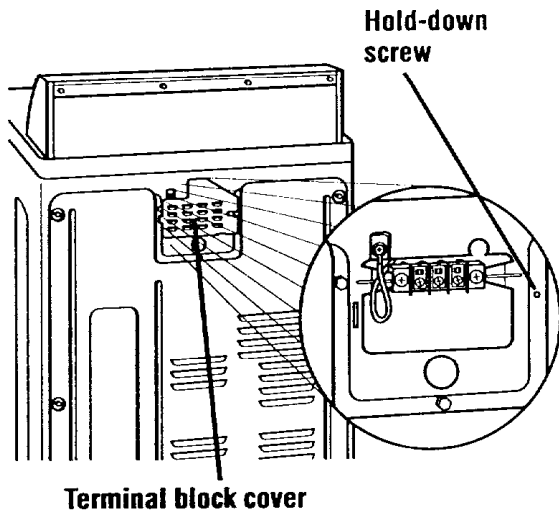
Four-wire receptacle (14-30R)

Do Not use an extension cord with this dryer.

Do Not connect plug end of power supply cord into a live receptacle before connecting power supply cord to dryer terminal block.

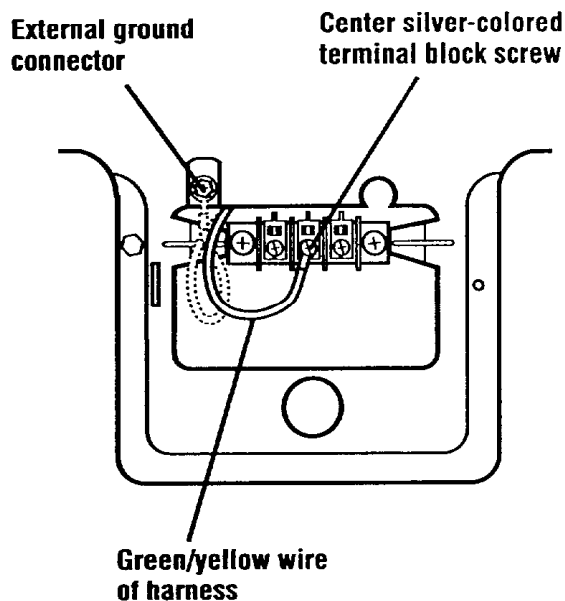
STEP 1. Turn power supply off.

STEP 2. Remove hold-down screw and terminal block cover.



STEP 3. Attach $\frac{3}{4}$ " U.L.-listed strain relief (U.L. marking on strain relief) to the hole below terminal block opening. Put the power supply cord through the strain relief.

STEP 4. Remove the center terminal block screw. Remove the neutral grounding wire (green/yellow wire) from external grounding screw.



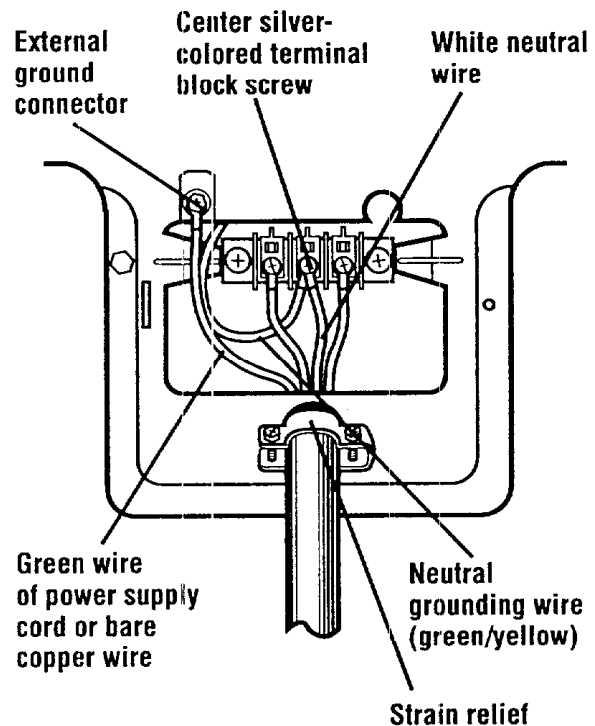
STEP 5. Connect neutral grounding wire and the neutral wire (white) of power supply cord under the center screw of terminal block.

STEP 6. Connect the other two insulated wires to outer terminal block screws. Use the same method described in STEP 4.

STEP 7. Connect the green, grounding wire from the power supply cord to the external grounding conductor screw. Tighten all terminal block screws firmly.

STEP 8. Tighten the strain relief screws.

STEP 9. Insert tab of terminal block cover into slot of the dryer rear panel. Secure cover with hold-down screw.



4-Wire Connection with Frame-Grounding Conductor

Continue Installation on Page 16.

D. MAKE FOUR-WIRE ELECTRICAL CONNECTION TO DIRECT WIRE

If making a direct wire connection:

⚠ WARNING



Electrical Shock Hazard

Turn power supply off before connecting wires.

Use 10 gauge solid copper wire.

Electrically ground dryer.

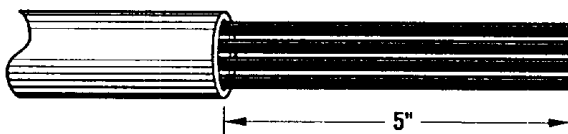
Failure to follow these instructions can result in death, fire, or electrical shock.

The dryer can be connected directly to fused disconnect or circuit breaker box with four-wire flexible armored or non-metallic sheathed copper cable (with grounding wire). All current-carrying wires must be insulated.

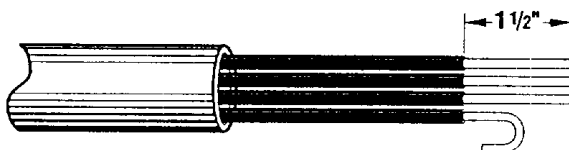
A conduit connector must be installed at junction box. Allow four feet of slack in the line so dryer can be moved if servicing is ever necessary.

STEP 1. Turn power supply off.

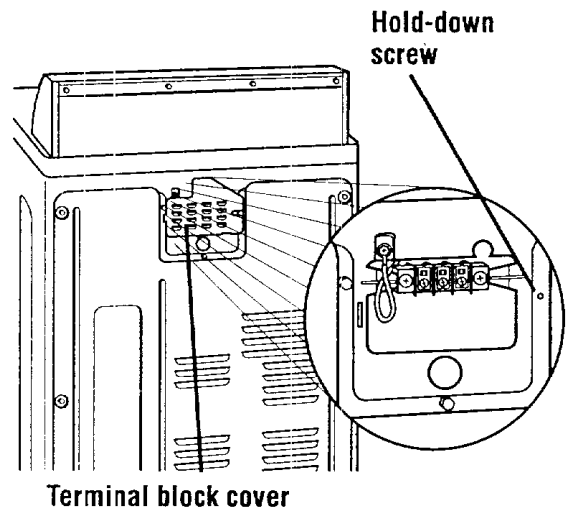
STEP 1a. Strip 5 inches of outer covering from end of cable. Leave bare grounding wire at 5 inches.



STEP 1b. Strip 1½ inches from 3 remaining insulated wires. Strip insulation back 1 inch. Shape the end of each wire into a “U” shaped hook.

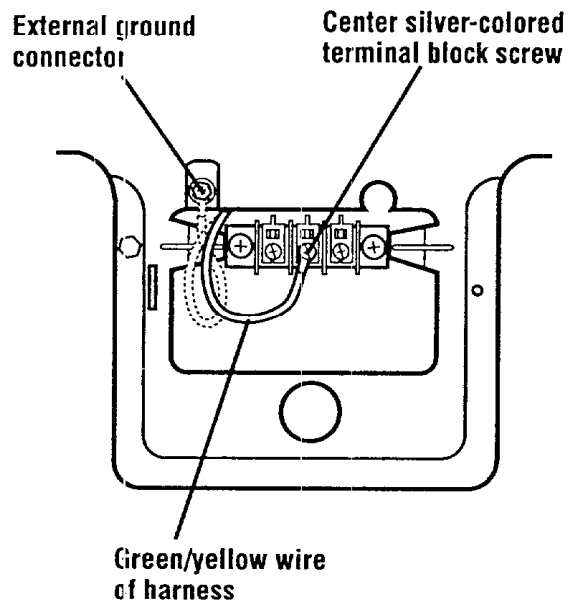


STEP 2. Remove hold-down screw and terminal block cover.

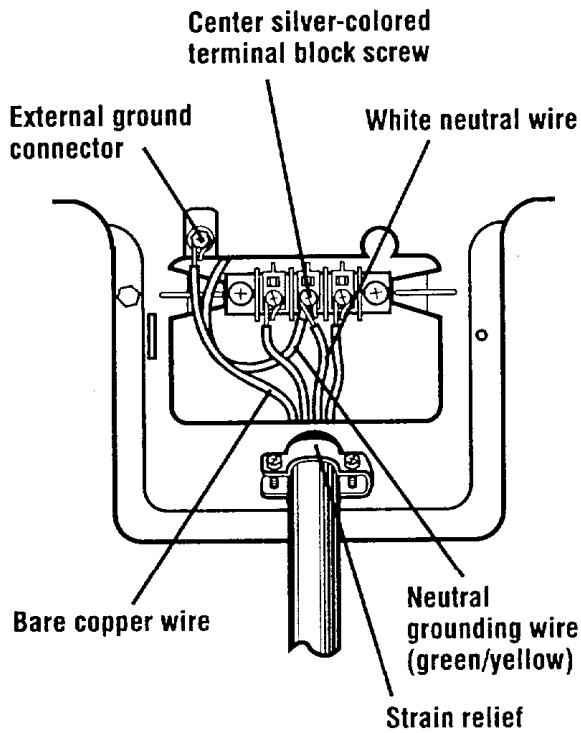


STEP 3. Attach ¾" U.L.-listed strain relief (U.L. marking on strain relief) to the hole below terminal block opening. Put the direct wire cable through the strain relief.

STEP 4. Remove the center terminal block screw. Remove the neutral grounding wire (green/yellow wire) from external grounding screw.

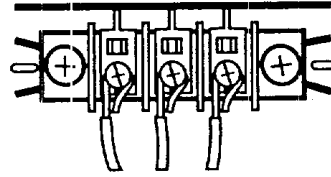


STEP 5. Connect neutral grounding wire and the neutral wire (white or center) of direct wire cable under the center screw of terminal block.



4-Wire Connection with Direct Wire

STEP 6. Place the hook-shaped end of the wire over the terminal block screw. The open side of the hook should face to the right. Squeeze hook end of wire together to form a loop.



STEP 7. Connect the other two wires to outer terminal block screws. Use the same method described in STEP 6.

STEP 8. Connect the direct wire cable (bare) grounding wire to the external-grounding conductor screw. Tighten all terminal block screws firmly.

STEP 9. Tighten the strain relief screws.

STEP 10. Insert tab of terminal block cover into slot of the dryer rear panel. Secure cover with hold-down screw.

Continue Installation on Page 16.

CONNECT EXHAUST

- Replace plastic exhaust duct with rigid metal or flexible metal duct.
- If using an existing exhaust system, clean lint from entire length of exhaust system. Make sure exhaust hood is not plugged with lint.

for your Benefit

A properly exhausted dryer will give you the shortest drying time, lower your utility bill and extend the life of the dryer.

⚠ WARNING



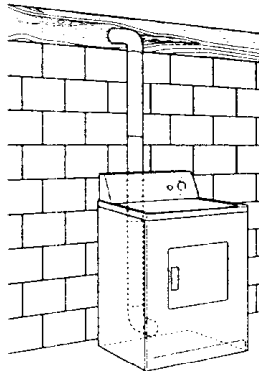
Fire Hazard

Use a heavy metal vent.
Do not use a plastic vent.
Do not use a metal foil vent.
Failure to do so can result in death or fire.

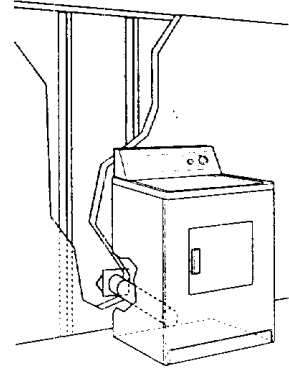
- Do Not use non-metal flexible duct, metal duct that is smaller than four inches in diameter or exhaust hoods with magnetic latches.
- Do Not exhaust dryer into a chimney, furnace cold air duct, attic or crawl space, or any other duct used for venting.
- Do Not install flexible duct in enclosed walls, ceilings or floors.

Typical installations exhaust from the rear of the dryer.

Typical installations for rear exhausting – offset (see pgs. 16-18)



Typical installations for rear exhausting – straight (see pgs. 18-19)



Avoid pushing the dryer tightly against a wall. This can crush or kink the duct. Use the straightest path you can, where possible, to avoid 90° turns.

OFFSET CONNECTIONS

Maximum Exhaust Lengths:

- The maximum length of the rear exhaust system depends on the type of duct, the number of elbows and the type of exhaust hood. Refer to the chart below.

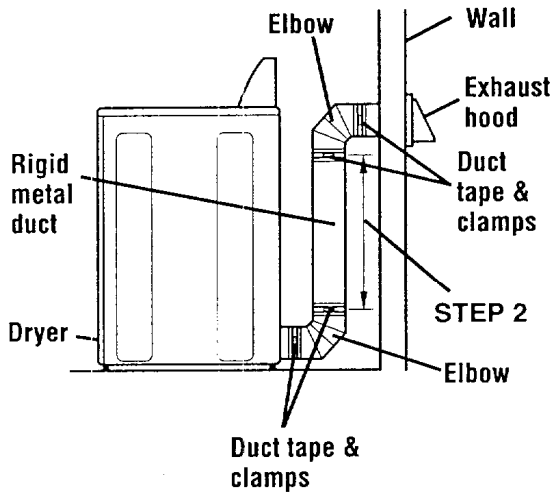
EXHAUST HOOD TYPE		
Number of 90° Turns		
Maximum length of 4-inch diameter rigid metal duct.		
0	64 ft.	58 ft.
1	54 ft.	48 ft.
2	44 ft.	38 ft.
3	35 ft.	29 ft.
4	27 ft.	21 ft.
Maximum length of 4-inch diameter flexible metal duct.		
0	36 ft.	28 ft.
1	31 ft.	23 ft.
2	27 ft.	19 ft.
3	25 ft.	17 ft.
4	23 ft.	15 ft.

Using 4-inch rigid metal duct:

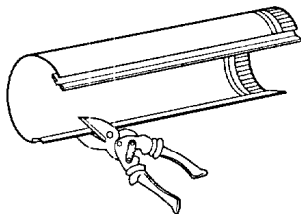
NOTE: Do NOT secure exhaust duct joints with screws. Screws can catch lint and slow the drying process.

STEP 1. Install a 4-inch metal elbow on the hood and on the dryer exhaust outlet.

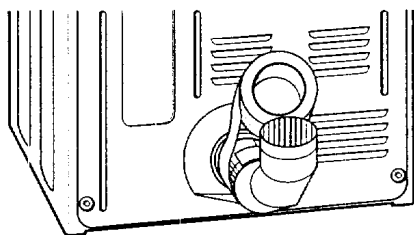
STEP 2. Measure the length of 4-inch metal duct needed to connect the two elbows.



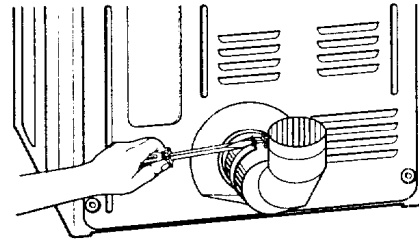
The duct usually comes in 2-foot lengths. Cut 2 inches longer than measurement for connection.



STEP 3. Connect elbow to dryer outlet. Tape the joint with duct tape. Tighten clamp.



Tape



Clamp

STEP 4. Connect rigid metal duct to elbow. Tape the joint with duct tape. Tighten clamp.

STEP 5. Install one end of elbow on rigid metal duct, the other end to the exhaust hood. Tape joints and tighten clamps.

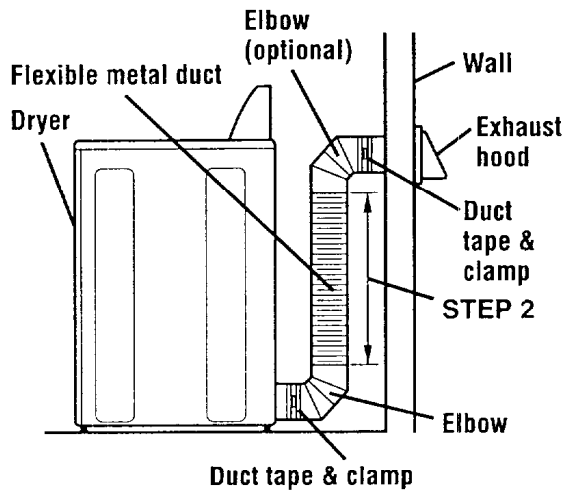
Continue Installation on Page 19, "FINISH INSTALLATION/CHECKPOINTS:"

Using 4-inch flexible metal duct:

NOTE: Do NOT secure exhaust duct joints with screws. Screws can catch lint and slow the drying process.

STEP 1. Install a 4-inch metal elbow on the hood and on the dryer exhaust outlet if necessary (optional).

STEP 2. Measure the length of 4-inch flexible metal duct needed from the dryer to the hood.



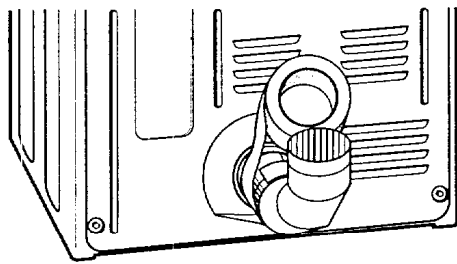
STEP 3. Add 10 inches to the measurement for each bend in the duct.

STEP 4. Add 2 more inches to the measurement for connection over the dryer outlet and hood.

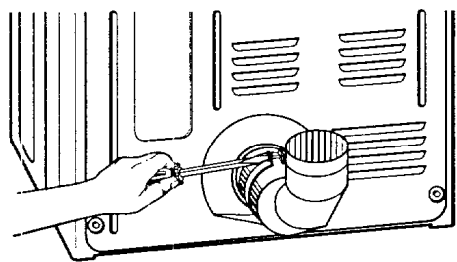
INSTALLATION



STEP 5. Install one end of elbow on flexible metal duct, the other end to the exhaust hood. Tape joints and tighten clamps.



Tape

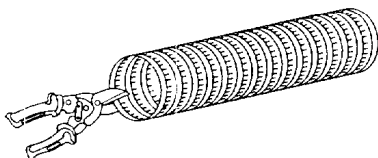


Clamp

STEP 6. Stretch the duct only as needed by pulling out from the center in each direction. Do not stretch duct sections over 6 feet. If distance is more than 6 feet, use 2 or more sections of rigid metal duct with flexible metal duct attached at ends.

STEP 7. Connect the duct to the dryer outlet and to the hood or to the elbows. Tape the joint with duct tape. Secure with clamps.

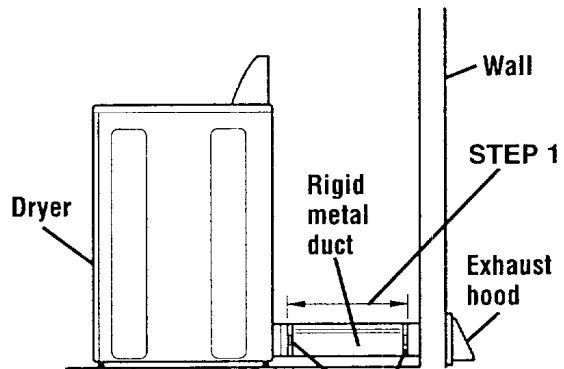
STEP 8. To fit the flexible metal duct over the duct on the hood it may be necessary to make two 1/2-inch cuts in the end of the flexible duct to allow it to expand.



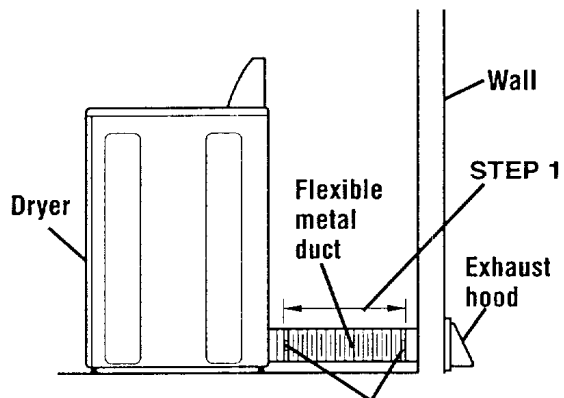
STRAIGHT CONNECTIONS

NOTE: Do NOT secure exhaust duct joints with screws. Screws can catch lint and slow the drying process.

STEP 1. Measure the length of 4-inch straight duct needed. The duct usually comes in 2-foot lengths.

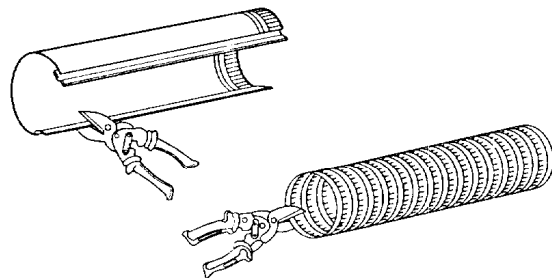


Duct tape & clamps



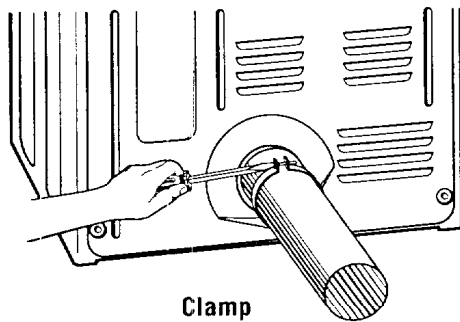
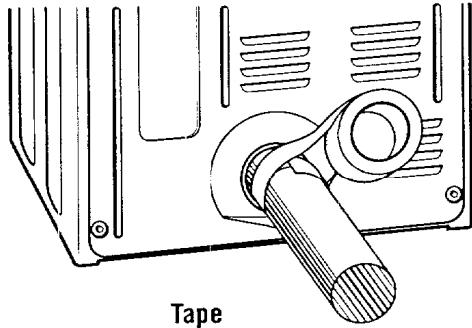
Duct tape & clamps

Cut 2 inches longer than measurement to fit over dryer and hood connections.



Continue Installation on Page 19,
"FINISH INSTALLATION/CHECKPOINTS."

STEP 2. Slide large end of the duct on the dryer connection and the small end on the hood connection. To prevent air leakage, tape the joint with duct tape. Clamp all joints.



Continue Installation on This Page.

FINISH INSTALLATION/ CHECKPOINTS

for your **Benefit**

Taking a few minutes to complete this checklist will help ensure a proper installation and increase your satisfaction with your electric dryer.

- Check that all parts you removed from the parts packages are now installed.
- Carefully slide dryer into its final location.
- Check to be sure dryer is level by placing level on top of the dryer, first side-to-side then front-to-back. If dryer is not level, adjust the legs up or down.
- Check to make sure you have all the tools you started with.
- Plug the power supply cord into the grounded outlet or connect direct wire to power supply. Turn power supply on.
- Wipe the interior of the drum thoroughly with a damp cloth to remove any dust.
- Read the rest of this manual to fully understand your new dryer. Start the dryer and allow it to complete a full heat cycle. You may notice a burning odor. This smell is common when the heating element is first used. The smell will go away. After five minutes, open dryer door. You should feel heat inside the dryer. If you do not feel heat, see Troubleshooting information on pages 25-26.

OPERATING YOUR DRYER

STARTING YOUR DRYER

WARNING



Explosion Hazard

Never place items in the dryer that are dampened with gasoline or other flammable fluids.

Do not wash or dry items soiled with vegetable or cooking oils because they may contain some oil after laundering.

Doing so can result in death, explosion, or fire.

To get the best drying results, you must operate your dryer properly. This section gives you this important information. Page references are included for more information. You can also refer to the "Feature Sheet" supplied with your dryer.

STEP 1. Check lint screen. Clean if needed.

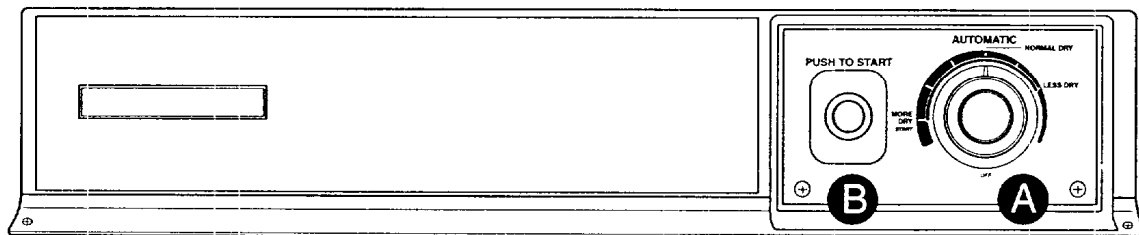
STEP 2. Put laundry into dryer and shut door.

STEP 3. Set Cycle Selector Control (Timer) **(A)**; (see page 21).

STEP 4. Press PUSH TO START Button **(B)** – be sure door is closed.


STOPPING/RESTARTING YOUR DRYER

- To stop the dryer at any time, open dryer door.
- Press the PUSH TO START Button to restart.
- If you wish to end your drying cycle, turn timer to OFF.



CYCLE DESCRIPTION

⚠ WARNING



Fire Hazard

Line dry heat-sensitive fabrics such as rubber and plastic.

Do not use heat to dry these items.

Failure to follow these instructions can result in death or fire.

- At the end of the cycle, feel the dried clothes. If they are damp, move dial towards MORE DRY the next time you do a similar load. If they are overdried, move dial towards LESS DRY the next time you do a similar load.
- Dryness is determined by thermostats that react to the amount of moisture in the air exhausted from the dryer. Moist air indicates clothes are still damp, dry air indicates that moisture has been removed.

for your **Benefit**

The **AUTOMATIC** Cycle saves you time by providing the best drying results in the shortest time. This can help you save money on utility bills and reduce the risk of fabric damage.

AUTOMATIC CYCLE

Use this cycle for sturdy clothes or synthetic, permanent press items. Clothes are dried at high heat. When the dryness selected is reached, the dryer goes into a 5-minute (approx.) cool down period.

- Set the Cycle Selector Control to **NORMAL DRY(*)** which is good for most fabrics.

COOL DOWN

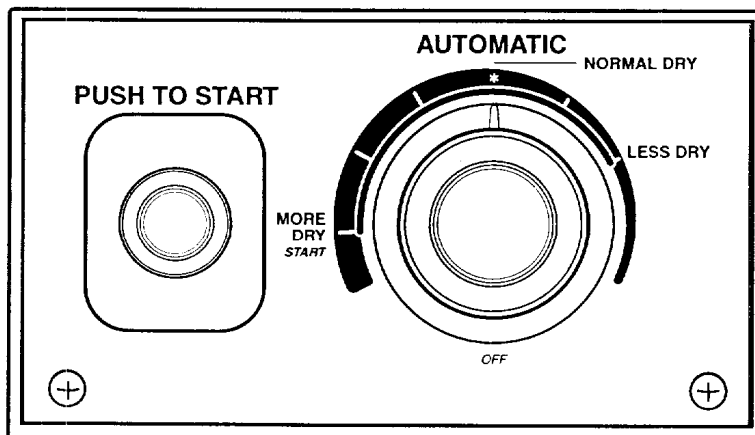
Approximately five minutes before the end of the **AUTOMATIC** Cycle, clothes are tumbled without heat to help reduce wrinkles and make clothes more comfortable to handle.

PUSH TO START BUTTON

Use this control to start the dryer. Be sure the dryer door is closed.

Opening the door stops the dryer. It will not start again until you close the door and press the **PUSH TO START** Button. Be sure the Cycle Selector Control is still on a dry setting.

OPERATION



CARING FOR YOUR DRYER

This section explains how to care for your dryer properly and safely.

for your **Benefit**

Proper care of your dryer can extend its life and help you avoid costly service calls.

EXTERIOR

Use a soft, damp cloth to clean the cabinet. Avoid using harsh abrasives. Do not put sharp metal objects on or in your dryer. They can damage the finish.

INTERIOR

⚠ WARNING



Explosion Hazard
Use nonflammable cleaners.
Failure to do so can result in death, explosion, fire, or burns.

CLEANING YOUR DRYER

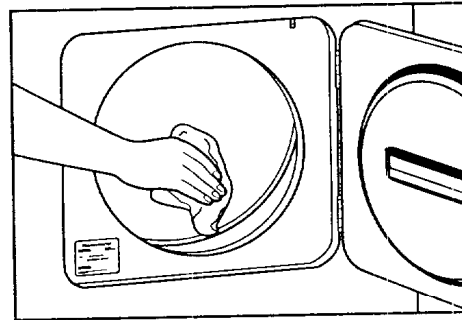
Garments that contain unstable dyes, such as denim blue jeans or brightly colored cotton items, may discolor the drum interior.

To clean dryer drum:

STEP 1. Make a paste with detergent and very warm water and apply to a soft cloth. Continue with STEPS 2-4.

or

STEP 1a. Spray non-flammable liquid household cleaner on the stained area. Continue with STEPS 2-4.



STEP 2. Scrub area until all excess dye is removed.

STEP 3. Wipe thoroughly with a damp cloth.

STEP 4. Tumble a load of clean towels for 20 minutes to dry.

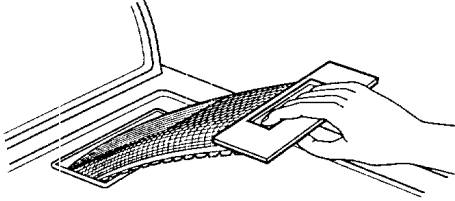
CLEANING THE LINT SCREEN

Remove Lint Before Every Load

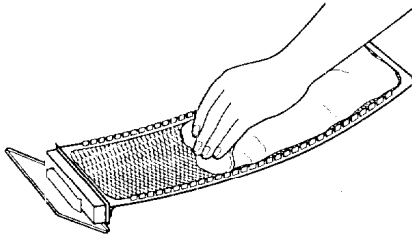
The lint screen is located on top of your dryer. Clean it before every load. A screen blocked by lint can increase drying time.

To clean:

STEP 1. Pull the lint screen up and out of your dryer.



STEP 2. Roll lint off the screen with your fingers. Do not rinse or wash screen to remove lint. Wet lint is hard to remove.



STEP 3. Push the lint screen firmly back into place.

IMPORTANT:

- Do not run the dryer with the lint screen loose, damaged, blocked, or missing. Doing so can cause overheating and damage to both the dryer and fabrics.
- Some towels made of synthetic fibers and natural fibers (polyester and cotton blends) may shed more lint than other towels, causing your dryer's lint screen to fill up faster. Be sure to remove lint from the lint screen before and after drying new towels.

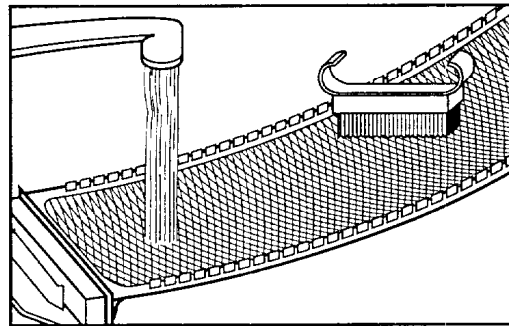
Clean Lint Screen As Needed

Laundry detergents and fabric softeners can cause a residue buildup on the lint screen. Clean the lint screen with a nylon brush if it becomes clogged due to a residue buildup.

To clean:

STEP 1. Wet both sides of lint screen with hot water.

STEP 2. Wet a nylon brush with hot water and liquid detergent; scrub lint screen with the brush to remove residue buildup.




STEP 3. Rinse screen with hot water.

STEP 4. Thoroughly dry lint screen with a clean towel; replace in dryer.

REMOVING ACCUMULATED LINT

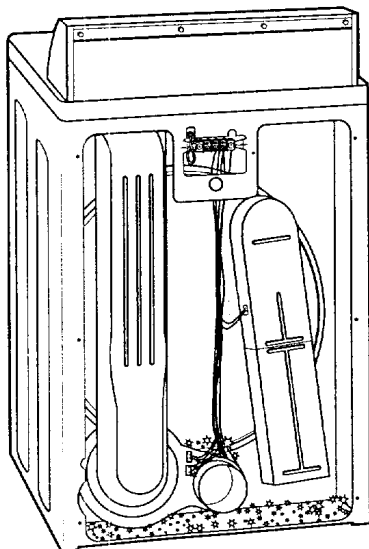
Lint can gather inside the dryer and be a fuel for fire. Lint should be removed every 2 to 3 years, or more often, depending on dryer usage. Cleaning should be done by a qualified person.

Remove the back panel of your dryer as follows:

! WARNING

Electrical Shock Hazard Disconnect dryer from electric power supply before proceeding. Replace all panels before operating. Failure to do so can result in death or electrical shock.

STEP 1. Unplug the power supply cord or turn off the electrical power.

STEP 2. Remove back panel by removing the screws along the frame.



STEP 3. Remove lint from the dryer base with a soft brush or vacuum cleaner. Avoid damaging wires or electric thermostats.

STEP 4. Replace back panel; reconnect and level dryer again, if necessary.

MOVING CARE

- Unplug dryer or disconnect electricity leading to the dryer.
- Make sure leveling legs are secure in dryer base.
- Apply heavy-duty tape from inside drum, out the door opening to the front.
- Use masking tape to secure dryer door.

VACATION CARE

- Unplug power supply cord or turn off electrical power supply.
- Clean lint screen.

TROUBLESHOOTING

for your **Benefit**

Most laundering problems are easily solved if you understand the cause. Using the charts below will save you time and money by helping you avoid unnecessary service calls.

Problem	Possible Cause	Solution
Not Drying Satisfactorily	Lint screen is clogged with lint.	Clean lint screen.
	Restricted air movement. Exhaust vent/duct or outside exhaust hood is clogged with lint.	Run dryer for 5-10 minutes. Hold hand under outside exhaust hood to check air movement. If you do not feel air moving, clean exhaust system of lint or replace exhaust vent/duct with rigid metal or flexible metal vent/duct.
	Exhaust vent/duct is crushed or kinked.	Replace with heavy metal or flexible metal vent/duct.
	One fuse is blown or circuit breaker is tripped. The dryer will appear to operate, but you will not get any heat.	Replace fuse or reset breaker.
	Fabric softener sheets blocking outlet grill.	Use only one softener sheet per load and only use it once.
	Dryer located in room with temperature below 45°F.	Move dryer where it can operate in ambient air temperatures above 45°F.
	Large amount of moisture in the load.	Expect longer dry times with items that hold more moisture (cottons).
	Cold rinse water used.	Expect longer dry times, but you are saving energy and reducing wrinkles.
Dryer Will Not Run	Load too large and bulky to dry quickly.	Separate load to tumble freely.
	Power cord not firmly plugged into a live circuit with proper voltage.	Plug power cord into a live circuit.
	Fuses blown or circuit breakers tripped.	Replace fuses or reset breakers.
	Using a time-delay fuse.	Replace with a regular fuse.
	Dryer door not firmly closed.	Close dryer door tightly.
	PUSH TO START button not firmly pressed.	Press PUSH TO START button again.
Controls not set in an ON position.	Reset controls in an ON position.	

TROUBLESHOOTING

Problem	Possible Cause	Solution
Lint in Load	Lint screen is clogged.	Clean lint screen.
	Improper sorting.	Sort lint givers from lint takers and by color.
	Load is too big or heavy.	Dry smaller loads so lint can be carried to the lint screen.
	Load is overdried.	Use correct dryer settings for fabric. Overdrying can cause lint-attracting static.
	Paper or tissue in pockets.	Clean out pockets before drying.
	Pilling being mistaken for lint.	Pilling (surface fuzz) is caused by normal wear and laundering.
Stains on Load	Improper use of fabric softener in washer.	Use fabric softener sheets in dryer. Add at beginning of cycle when load is cold.
	Drying soiled items.	Items need to be clean before being dried.
Items Shrinking	Overdrying.	Match dryer settings to fabric type.
	Poor garment quality.	Check quality of garment before purchasing.
	Manufacturer's care label instructions not followed.	Follow fabric care label instructions carefully.
Loads are Wrinkled	Overloading.	Dry smaller loads that can tumble freely.
	Overdrying.	Match dryer settings to fabric type.
	Load left in dryer at the end of cycle.	Remove load as soon as tumbling stops.
Odors	Household chemicals being drawn into dryer.	Proper ventilation needs to be used if painting or staining near the dryer.
	First use of dryer element (electric only).	Will be gone after the first cycle.
Unusual Sounds	Thumping of rollers when dryer has set.	Thump will go away after 5 minutes of drying.

SEARS MAINTENANCE AGREEMENT

ELECTRIC DRYERS

We Service What We Sell

"We Service What We Sell" is our assurance you can depend on Sears for service. Your Electric Dryer has added value when you consider that Sears has service units nationwide, staffed with professional technicians specifically trained on Sears appliances and having the parts, tools, and equipment to ensure that we meet our pledge to you... "We Service What We Sell!"

Sears Maintenance Agreement

Maintain the value of your Electric Dryer with a Sears Maintenance Agreement. Sears Electric Dryers are designed, manufactured, and tested for years of dependable operation. Yet, any modern appliance may require service from time to time.

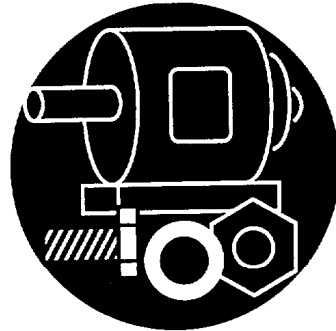
The Sears Maintenance Agreement

- Is your way to buy tomorrow's service at today's prices.
- Eliminates repair bills resulting from normal use.
- Allows for as many service calls as required.
- Provides for service by professional Sears Trained Technicians.
- Even if you don't need repairs, the Maintenance Agreement offers an annual preventative maintenance check-up at your request!

This maintenance agreement does not cover original installation, reinstallation, or damage resulting from external causes such as acts of abuse, theft, fire, flood, wind, lightning, freezing, power failure, power reduction, etc.

REQUESTING ASSISTANCE OR SERVICE

For the repair or replacement parts you need delivered directly to your home
Call 7 am - 7 pm, 7 days a week
1-800-366-PART
(1-800-366-7278)



For in-home major brand repair service
Call 24 hours a day, 7 days a week
1-800-4-REPAIR
(1-800-473-7247)



For the location of a Sears Parts and Repair Center in your area
Call 24 hours a day, 7 days a week
1-800-448-1222



For information on purchasing a Sears Maintenance Agreement or to inquire about an existing Agreement
Call 9 am - 5 pm, Monday - Saturday
1-800-827-6655



When requesting service or ordering parts, always give the following information:

- Product Type
- Part Number
- Model Number
- Part Description

