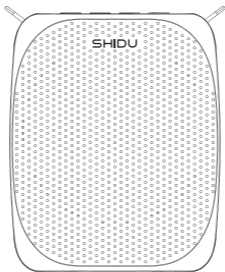




Voice Amplifier User Manual



S258/S615/S30

Please read the instructions carefully before using it.

Note:

Before turn on the amplifier, ensure that the MIC don't point at the amplifier, this will eliminate any annoyance associated with howling. For ensure better amplification, aim at the headset MIC capsule when speaking, and keep the distance between the voice amplifier and the MIC more than 60 cm to avoid howling.

Simply tucking the speaker around waist, and mounting headphone over head can help achieve the required distance.

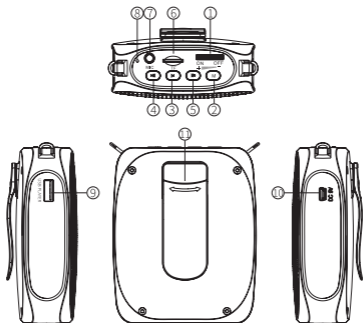
Main features:

- 1.SHIDU patented appearance;
- 2.Stylish, ergonomic and comfortable design;
- 3.10W power output, sound coverage up to 800m²;
- 4.Equipped with SHIDU special acoustic microphone -- original sound amplification;
- 5.Support TF card & USB flash drive music play.
- 6.UHF wireless technology, long wireless distance clear-sound.

Technical Parameters:

Power output:	10W	Frequency response:	90Hz-18KHz
Output Impedance:	4Ω	Working temperature:	-10°C-45°C
Recharging voltage:	DC5V, 500mA+	Amplify time:	8-12 hours
Music-play time:	6-10hours	Charging time:	3-5 hours

Function Illustration:



- 1.Power switch & volume control:** Rotate the knob to “ON” to turn on the amplifier when the power indicator is blue. Rotate to “+” continuously to increase the volume, rotate to “-” continuously to decrease the volume till turn off.
- 2.Mode:** A) Short press to switch to TF card play / USB flash drive play / UHF mode.(only for UHF version)
B) In UHF mode, long press to enter into UHF waiting for pairing status.
- 3.Play/Pause:** Short press it to pause, and press again to play the music under default mode. Long press “▶|” till the blue light flash quickly to enter single music repeat mode. Long press the “▶|” till the blue light flash normally to repeat all the music in storage.

4.Previous: Short press to play previous song; long press to fast rewind.

5.Next: Short press to play next song; long press to fast forward.

6.TF card slot: Insert the TF card to play mp3. It is compatible with most brands, the maximum capacity is 32GB.

Note: It may be unreadable when the file is large or complex.

7.Ø3.5mm Microphone Jack: Insert the wired microphone in any mode to amplify with current mode simultaneously. To avoid howling please do not point the microphone toward the speaker. (There is no wired MIC in wireless version.)

8.Indicator: Blue light: Will on all the time in the state of power-on;

Red light: Will flash when charging; and it will on all the time after fully charged;

Notes: We suggest that you fully charge the amplifier before using it the first time.

9.USB flash drive slot: Insert the USB flash drive to play mp3. It is compatible with most brands, the max capacity is 32GB.

10.Mini-USB Charging Port: Use the charger with DC 5V output connect with Mini-USB cable to charge the PA system.

Unplug the charger as soon as it is fully charged.

11.Detachable clip

TF card / USB flash drive:

Insert the TF card/USB flash drive as showed on the amplifier correctly, then press "M" key to switch to TF card/USB flash drive mode, and you can play the audio files in the TF card/USB flash drive.

Loop:

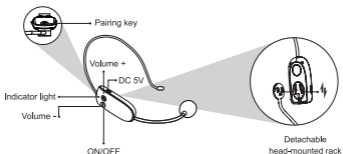
When play music on TF card/USB flash drive, long press "▶||" key for 3 seconds to switch to single song repeat, the Blue light will quickly flash. Press it again to switch back to all repeat, then the Blue light will normally flash; (Notes: speaker will be "all repeat" by default after powered on next time.)

Charge the amplifier:

The red indicator light flashes means low power. Please charge through Mini-USB cable with DC 5V output adaptor. The red indicator light will flash when charging; and it will on all the time after fully charged. Unplug the charger as soon as it is fully charged.

Notes: We suggest fully recharge the amplifier before you using it at the first time.

UHF Wireless Microphone: (only for UHF version)



1.The wireless microphone factory Setting have been paired successfully, you can use it directly. If the microphone has no sound or the microphone is disconnected, you need to manually pair it.

2.Pair the UHF manually:

Step1.Turn on the voice amplifier, long press "M" key for 5 seconds, the blue light indicator will flash.

Step2.Turn on the wireless microphone and long press "📶" key for 5 seconds. The blue light indicator stop flash means paired successfully.

Volume Control:

A.If amplifier howling or in a small volume, adjust the volume by press "+" or "-" on the wireless microphone.

B.You can also adjust the volume on the voice amplifier by rotate the volume control.

How to charge the wireless microphone:

When the microphone blue indicator light flashes means low battery. Please turn it off and charging through Micro USB with DC 5V adapter. The red indicator light will be on all the time when charging, and it will go out after fully charged.

Notes:

1.The normal charge time is 3~5 hours. Unplug the charger as soon as it is fully charged.

2.When you first use wireless microphone, the battery is in low power.To ensure the best sound amplification, please fully charge it.

3.Turn off the UHF wireless microphone when you are not using it.

Trouble shooting:

1. Turn on the power switch, but the amplifier has no sound.

- A. The indicator is not light: it means low power and you should charge the amplifier.
- B. Turn the volume up on the voice amplifier, and also on the microphone.

2. Talk to the wireless microphone, but the amplifier has no sound.

- A. Please confirm both voice amplifier and microphone is power on.
- B. Please confirm whether the wireless microphone has been paired with the amplifier successfully or not. Pair the UHF manually again if necessary.

3. The voice amplifier has distinct howling.

- A. Wear the microphones correctly: put the microphone in front of the mouth;
- B. In a small room, please turn down the volume properly to avoid howling.

SHIDU Guarantee:

100% SHIDU Guaranteed Product Satisfaction.

We promise 1 year warranty.

If you have any questions, please feel free to contact us, we will try our best to provide you the best service.

www.10shidu.com Email: *info@10shidu.com*