

**7085 335-02**

WT



## Priority of warnings




<b>⚠ DANGER</b>	identifies a situation involving direct danger which, if not obviated, may result in death or severe bodily injury.
<b>⚠ WARNING</b>	identifies a dangerous situation which, if not obviated, may result in death or severe bodily injury.
<b>⚠ CAUTION</b>	identifies a dangerous situation which, if not obviated, may result in minor or medium bodily injury.
<b>NOTICE</b>	identifies a dangerous situation which, if not obviated, may result in damage to property.
<b>Note</b>	identifies useful information and tips.

### Safety instructions and warnings

- **WARNING:** do not seal ventilation openings on the appliance housing or enclosure.
- **WARNING:** only use the mechanical devices or other aids recommended by the manufacturer to help speed up the defrosting process.
- **WARNING:** do not damage the refrigerant circuit.
- **WARNING:** do not use any electrical devices in the refrigerator compartment which do not comply with the design recommended by the manufacturer.
- **WARNING:** the mains cable must not be damaged while installing the appliance.
- **WARNING:** multi-sockets or distributor strips and other electronic devices (such as halogen transformers) must not be positioned and operated at the rear of appliances.
- **WARNING:** danger of injury through electric shock. There are live parts under the cover. Only have the interior LED light replaced or repaired by customer service staff or trained personnel.
- **WARNING:** risk of injury from the LED lamp. The light intensity of the LED light complies with laser class RG 2. If the cover is defective, do not look directly at the light through optical lenses from close distance. This may damage your eyes.
- **WARNING:** this appliance must be secured as described in the operating instructions (Installation instructions) to rule out any potential risks due to its instability.
- Do not stand on the plinth, drawers or doors or use them to support anything else.
- This appliance may be used by children aged 8 and over and by people with reduced physical, sensory or mental abilities or a lack of experience and expertise if they are supervised or have been instructed on the safe use of the appliance and have understood the risks associated with it. Children must not be allowed to play with the appliance. Cleaning and user maintenance must not be carried out by children without supervision. Children aged 3 or over and 8 or younger may load and unload the refrigerator/freezer.
- Do not store any explosive substances, such as aerosol containers with flammable propellant gas, inside the appliance.
- To prevent injury and damage to property, the appliance should only be installed by two people.
- After unpacking it, check the appliance for signs of damage. Contact the supplier if it is damaged. Do not connect the appliance to the mains power supply.
- Avoid prolonged skin contact with cold surfaces (e.g. chilled/frozen products). If necessary, take safety action (e.g. gloves).
- Do not eat ice cream, particularly ice lollies or ice cubes, immediately after taking them from the freezer compartment as there is a risk of "burning" because of the very cold temperatures.
- Do not consume food which has been stored for too long, as it could cause food poisoning.
- All repairs and work on the appliance may only be carried out by customer service personnel or other trained personnel. The same applies to changing the mains power cable.
- Only carry out repair and other work on the appliance when the mains plug has visibly been disconnected.
- Only install, connect and dispose of the appliance as described in these operating instructions.
- In the event of a fault, pull out the plug or switch off the fuse.
- When disconnecting the appliance from the mains, pull on the plug. Do not pull on the cable.
- If you have a lockable appliance, do not keep the key near the appliance or within reach of children.
- The appliance is designed for use in enclosed areas. Do not operate the appliance outdoors or in areas where it is exposed to splash water or damp conditions.

- Do not use the interior LED light to light the room. The interior LED light is only designed to illuminate the interior of the appliance.
- Do not allow naked flames or ignition sources to enter the appliance.
- Alcoholic drinks or other vessels containing alcohol should be sealed tightly for storage.
- When transporting or operating the appliance at an altitude of more than 1500 m above sea level, the glass pane in the door can break due to the reduction in air pressure. Broken fragments are sharp-edged and can cause serious injury.

### Symbols on the appliance

	The symbol can be located on the compressor. It refers to the oil in the compressor and indicates the following danger: swallowing or inhaling can be fatal. This is only relevant for recycling. There is no danger in normal operation.
	Warning about inflammable substances.
	A sticker to this effect may be applied to the rear of the appliance. It refers to the foampadded panels in the door and/or the housing. This is only relevant for recycling. Do not remove the sticker.

### EPREL database

As from 1 March 2021, information about energy labelling and ecodesign requirements will be available in the European product database (EPREL). You can access the product database using the following link: <https://eprel.ec.europa.eu/>. You will be asked to enter the model identifier. You will find the model identifier on the type plate.

### Disposal notes

The appliance contains reusable materials and should be disposed of properly - not simply with unsorted household refuse. Appliances which are no longer needed must be disposed of in a professional and appropriate way, in accordance with the current local regulations and laws.



When disposing of the appliance, ensure that the refrigerant circuit is not damaged to prevent uncontrolled escape of the refrigerant it contains (data on type plate) and oil.

- Disable the appliance.
- Pull out the mains plug.
- Cut through the connection cable.

### **WARNING**

**Danger of suffocation due to packing material and plastic film!**

**Do not allow children to play with packaging material.**

**Take the packaging material to an official collection point.**

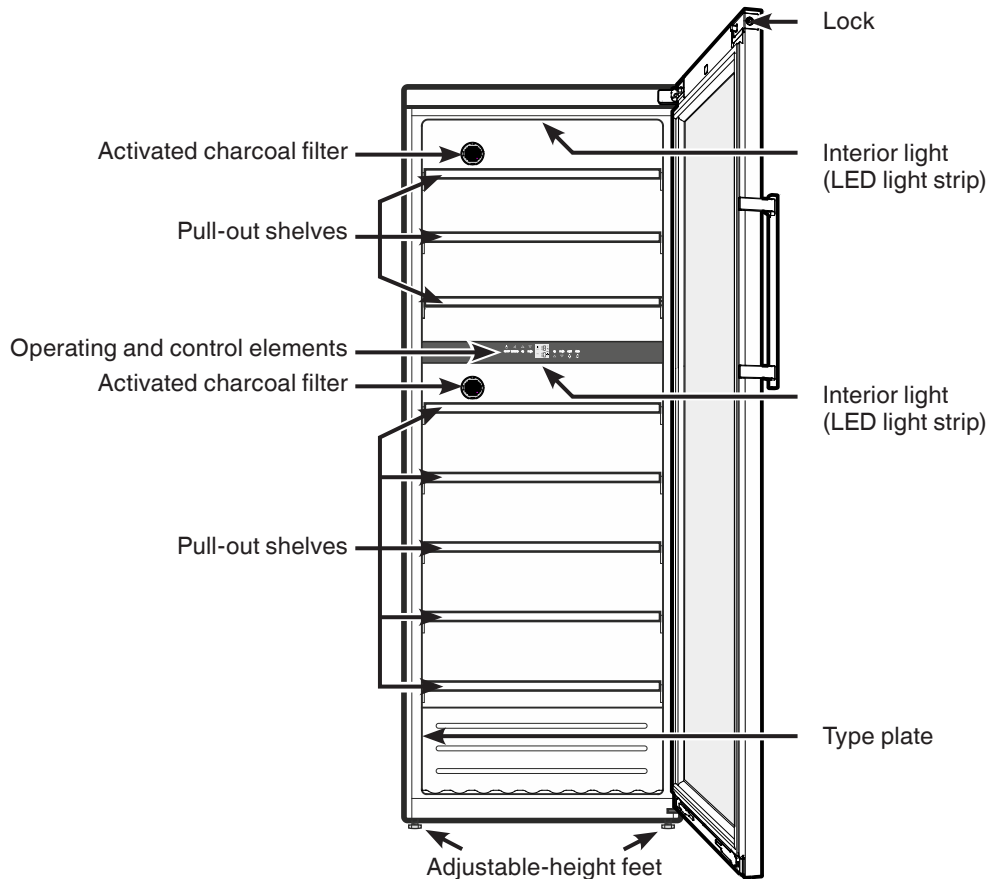
### Range of appliance use

The appliance is suitable solely for storing wine in a domestic environment or similar. This includes, for example, use

- in staff kitchenettes, bed and breakfast establishments,
- by guests in cottages, hotels, motels and other forms of accommodation,
- in catering and similar services in the wholesale trade.

Use the appliance solely as is customary within a domestic environment. All other types of use are inadmissible. The appliance is not suitable for storing and cooling medicines, blood plasma, laboratory preparations or similar substances and products covered by the 2007/47/EC Medical Devices Directive. Any misuse of the appliance may result in damage to or spoilage of stored goods. Furthermore, the appliance is not suitable for operation in potentially explosive atmospheres.

## Description of the appliance



## Saving energy

- Always ensure good ventilation. Do not cover ventilation openings or grille.
- Always keep fan slits clear.
- Avoid positioning the appliance in direct sunlight or near cookers, radiators or similar sources of heat.
- The energy consumption depends on the installation conditions, e.g. the ambient temperature.
- Keep the time the appliance is open to a minimum.

Accumulated dust increases the energy consumption:

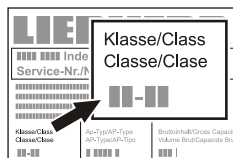
- Once a year, dust the refrigerating unit together with the metal grid of the heat exchanger at the back of the appliance.

## Climate rating

The climate rating indicates the room temperature at which the appliance may be operated in order to achieve full refrigeration performance.

The climate rating is indicated on the type plate.

The position of the type plate is shown in the section entitled **Description of the appliance**.



Climate rating	Room temperature
SN	+10°C to +32°C
N	+16°C to +32°C
ST	+16°C to +38°C
T	+16°C to +43°C
SN-ST	+10°C to +38°C
SN-T	+10°C to +43°C

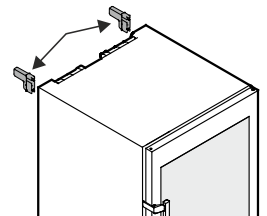
**Do not operate the appliance outside the specified room temperature range.**

## Setting up

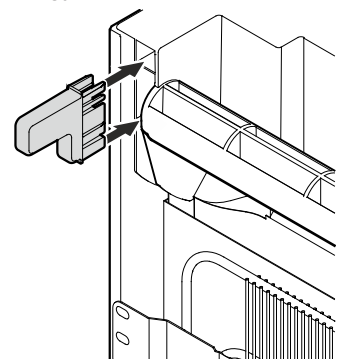
- Avoid positioning the appliance in direct sunlight or near cookers, radiators and similar sources of heat.
- The floor on which the appliance stands should be horizontal and level. Compensate for uneven floors with the adjustable feet.
- Standard EN 378 specifies that the room in which you install your appliance must have a volume of 1 m<sup>3</sup> per 8 g of R 600a refrigerant used in the appliance, so as to avoid the formation of inflammable gas/air mixtures in the room where the appliance is located in the event of a leak in the refrigerant circuit. The quantity of refrigerant used in your appliance is indicated on the type plate on the inside of the appliance.
- Always install the appliance directly against the wall.

- To ensure that the stated energy consumption is achieved, the wall spacers supplied with the appliance must be used. This increases the depth of the appliance by approx. 35 mm.

The appliance is fully operational even if the spacers are not used. It does, however, have a slightly higher energy consumption.



Fit the spacers to the back of the appliance on the left and right at the top.



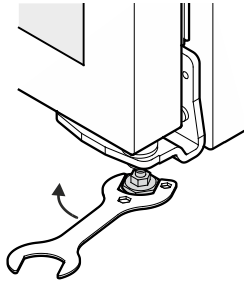
- Place the appliance in its final position at the place of installation.

### ⚠ CAUTION

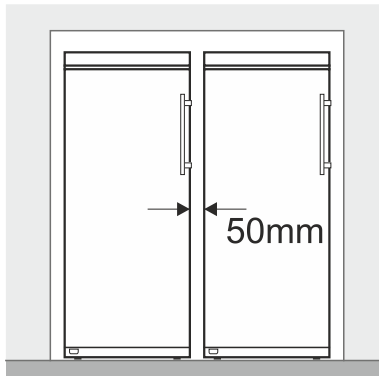
Risk of injury or damage from the appliance tipping or the door falling open!

If the additional adjustable foot on the base support is not correctly positioned on the floor, there is a risk of the door falling open or the appliance tipping. This can lead to injury or property damage.

- ▶ Unscrew the additional adjustable foot on the support until it reaches the floor.
- ▶ Then turn it another 90°.

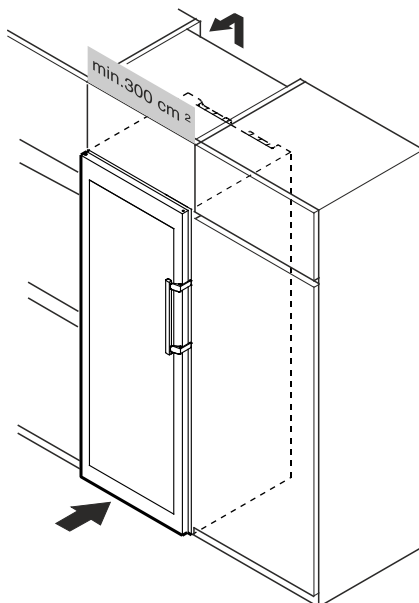


- If several appliances are installed next to each other, leave a gap of 50 mm between them. If this gap is too narrow, condensation forms between the side walls.

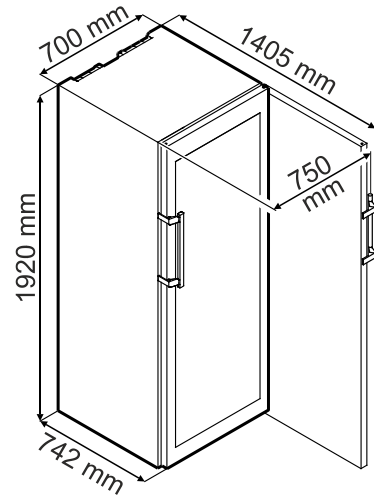


- To adapt the height of the appliance to the surrounding furniture a top unit can be added.

A gap of at least 50 mm depth must be provided behind and along the entire width of this unit so as to ensure sufficient ventilation. The area of ventilation underneath the ceiling should be at least 300 cm<sup>2</sup>.



## Appliance dimensions



## Electrical connection

Only operate the appliance with **alternating current (AC)**.

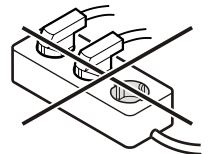
The permissible voltage and frequency are indicated on the type plate. The position of the type plate is shown in the section entitled **Description of the appliance**.

The socket must be properly earthed and protected by a fuse. The tripping current of the fuse must be between 10 A and 16 A.

The socket must not be situated behind the appliance and must be easily accessible.


Do not connect the appliance using an extension cable or extension socket.

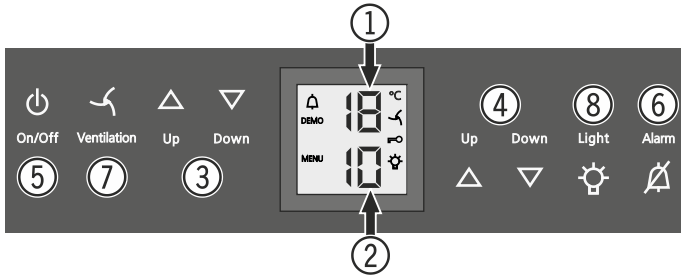
Do not use stand-alone inverters (conversion of direct current to alternating/three-phase current) or energy-saving plugs. Risk of damage to the electronic control system!



## Operating and control elements


The electronic control panel has the "touch capacitance technology". Any function can be activated by touching the corresponding icon.

The exact contact point is between the symbol and its label  On/Off



- (1) Upper compartment temperature display
- (2) Lower compartment temperature display
- (3) Upper compartment temperature setting buttons
- (4) Lower compartment temperature setting buttons
- (5) On/Off button (switching the appliance on and off)
- (6) Audible warning On/Off button
- (7) Fan switch
- (8) Interior light On/Off button

### Symbols in the display


 Alarm (symbol flashes if the temperature inside the appliance is too high or too low)

**DEMO** Demo mode is activated

**MENU** Setup mode is activated (activating the child lock and adjusting the display brightness)


 The interior fan runs constantly

 Child lock is activated

 The interior light is switched on constantly

## Switching the appliance on and off

### Switching the appliance on

Press the **On/Off** button until the temperature display lights up. 


On/Off

### Switching the appliance off

Keep the **On/Off** button pressed for approx. 3 seconds so that the temperature display goes out.

## Fan

The interior fan ensures a constant and even interior temperature and a suitable climate for wine storage.

The humidity in the appliance can be increased even further by activating the **Ventilation** button. This has a particularly positive effect for long-term storage. 

Ventilation

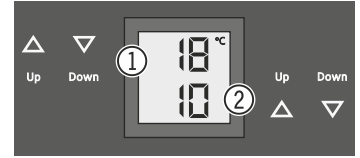
The increased level of humidity prevents the corks from drying out.

### Note

If the appliance is operated in a low ambient temperature, the fan may also run when the fan function is deactivated.

## Setting the temperature

The temperature of both compartments can be set separately.



- (1) Upper compartment
- (2) Lower compartment

**Reducing the temperature** Press the **Down** button.

### Increasing the temperature

Press the **Up** button.

- When pressing one of the buttons for the first time, the display will start to flash.
- Pressing this button again enables you to change the temperature setting.
- The electronic control system will switch over automatically about 5 seconds after the last time you pressed the button, and the actual temperature will be displayed.

The temperature can be set at between +5°C and +20°C.

The following drinking temperatures are recommended for the various types of wine.

Red wines: **+14°C to +20°C**

Rosé wines: **+10°C to +12°C**

White wines: **+8°C to +12°C**


Sparkling wines, Prosecco: **+7°C to +9°C**

Champagne: **+5°C to +7°C**

If you are storing wine for long periods of time, it should be stored at a temperature of between +10°C and +12°C.

## Door open alarm

If the door is left open for more than 60 seconds, the audible warning signal will sound.

If the door must be opened for a lengthy period to place items into the appliance, cancel the audible warning signal by pressing the **Alarm** button. 

Alarm

The alarm switches back to standby when the door is shut.

## Temperature alarm

If the temperatures in the interior are out of the permitted range, the audible warning signal will sound and the temperature display will flash.

- Cancel the audible warning signal by pressing the **Alarm** button.

The temperature display will stop flashing as soon as the temperature in the interior has reached the set value.

### Temperature alarm after a fault in the appliance

If the appliance develops a fault, the temperature in the interior may rise too high or fall too low. The audible warning signal will sound and the temperature display will flash.

If the temperature displayed is too high (warm), first check whether the door is closed correctly.

If the temperature display continues to show a value that is too high or too low after one hour, contact the customer service department.



- Cancel the audible warning signal by pressing the **Alarm** button.



If **F1**, **F8**, **E1**, **E2**, **E7**, or **E8** appears in the display, the appliance has suffered a fault. In this case, contact the customer service department.




## Setup mode

In set-up mode you can set the child lock and adjust the brightness of the display. The child lock is designed to protect the appliance from being switched off and the temperature setting from being changed accidentally.

### Activating the child lock




Press  for 5 seconds. Display = 



 Display =  |

 Display =  

Exit setup mode by pressing the **On/Off** button.

### Deactivating the child lock



Press  for 5 seconds. Display =  



 Display =  0



 Display = 

Exit setup mode by pressing the **On/Off** button.

### Adjusting the display brightness

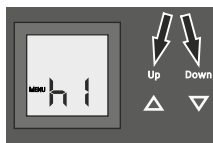
Press  for 5 seconds. Display = 

 Display = 

 Display =  |

Use buttons **Up** and **Down** to select the desired setting.

- h0 = display lighting off
- h1 = minimum brightness
- h5 = maximum brightness



 Display = 

Exit setup mode by pressing the **On/Off** button.

The adjusted brightness will be activated after one minute.

#### Note

If a button is pressed, the display lights up for one minute at maximum brightness.

When commissioning the appliance, the adjusted brightness will only be active once the set interior temperature of the appliance has been reached.

## Interior light

The interior of the appliance is lit by an LED light strip at the top of each compartment.

The interior light will always switch on when the appliance door is opened.

The interior light will go out approx. 5 seconds after the door is closed.

### Light

Press the **Light** button if you want the interior light to be on even when the door is closed.

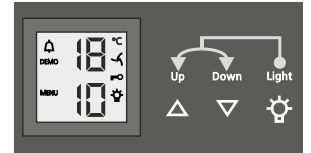


#### Note

This function applies to the lighting of both compartments.

Furthermore, the brightness of the lighting can be adjusted.

- Press the **Light** button.
- Press and hold the **Light** button and at the same time press the temperature setting buttons to increase or decrease the brightness.



**Note:** The brightness will change in all compartments.

Lighting	
<b>Class<sup>1</sup></b>	<b>Light source</b>
This product contains a light source that meets energy efficiency rating G	LED
<sup>1</sup> The appliance may contain light sources with different energy efficiency classes. The lowest energy efficiency class is indicated.	

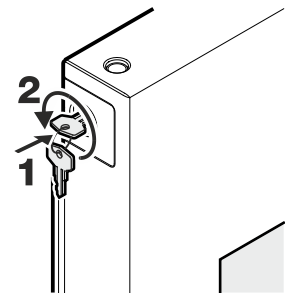
## Safety lock

The lock in the appliance door is equipped with a safety mechanism.

#### Locking the appliance:

- Insert the key as shown by arrow 1.
- Turn the key 180°.

To unlock the appliance, the same procedure must be repeated in the same order.



## Air exchange with activated charcoal filter

The way in which wines continue to mature depends on the ambient conditions. The quality of the air is therefore decisive for preserving the wine.

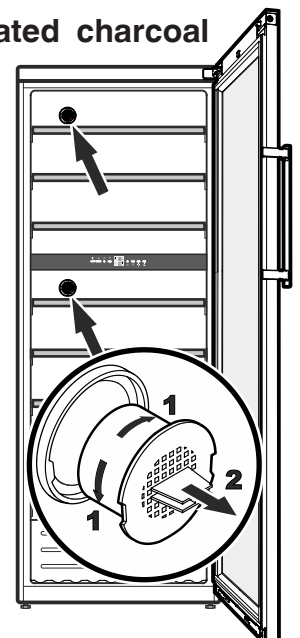
We recommend that you replace the illustrated filter once a year. Filters can be obtained from your dealer.

#### Changing the filter:

Take the filter by the handle. Turn it 90° to the left or right and remove.

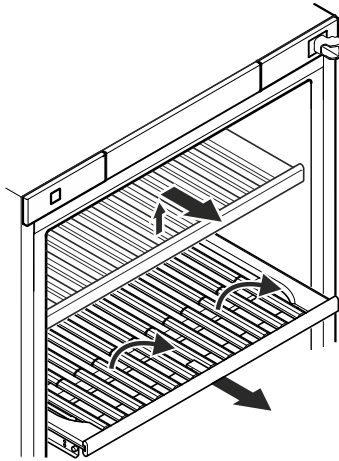
#### Inserting the filter:

Insert with the handle in a vertical position. Turn it 90° to the left or right until it clicks into place.



## Presentation shelf

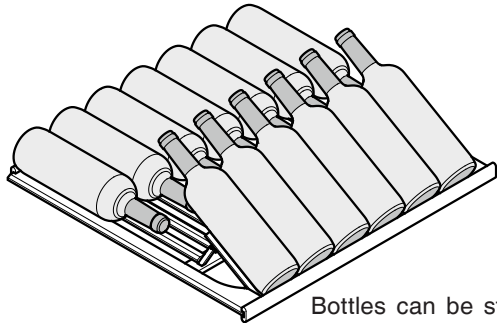
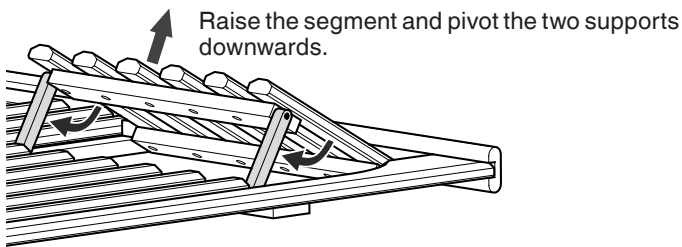
The middle pull-out shelf in the top compartment can be used for the presentation of wine bottles or to keep opened bottles at the perfect temperature. The presentation shelf can be used in both zones.



The wooden shelf above it must be removed so that the presentation shelf can be used. Raise and remove the shelf.

Pull the presentation shelf forwards as far as it will go.

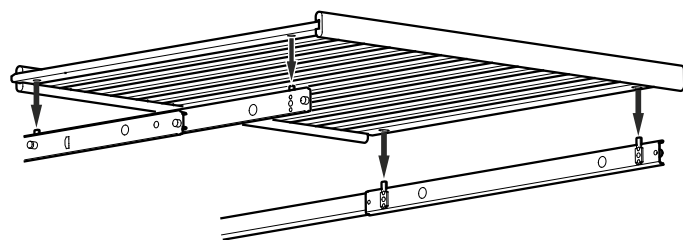
The front section of the presentation shelf consists of two segments which can be raised separately.



Bottles can be stored behind the raised segment.

## Inserting the wooden shelf

Fit the upper wooden shelf again for using the presentation shelf for storing bottles normally (with the segments not raised).



Extend the pull-out rails as far as they will go.

Place the wooden shelf with its bore holes face down on the pins on the pull-out rails.

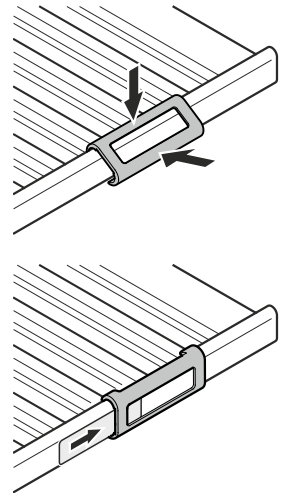
## Labels

The appliance is supplied with one label for each wooden shelf.

Use these to label the type of wine stored on each shelf.

Additional labels can be obtained from your dealer.

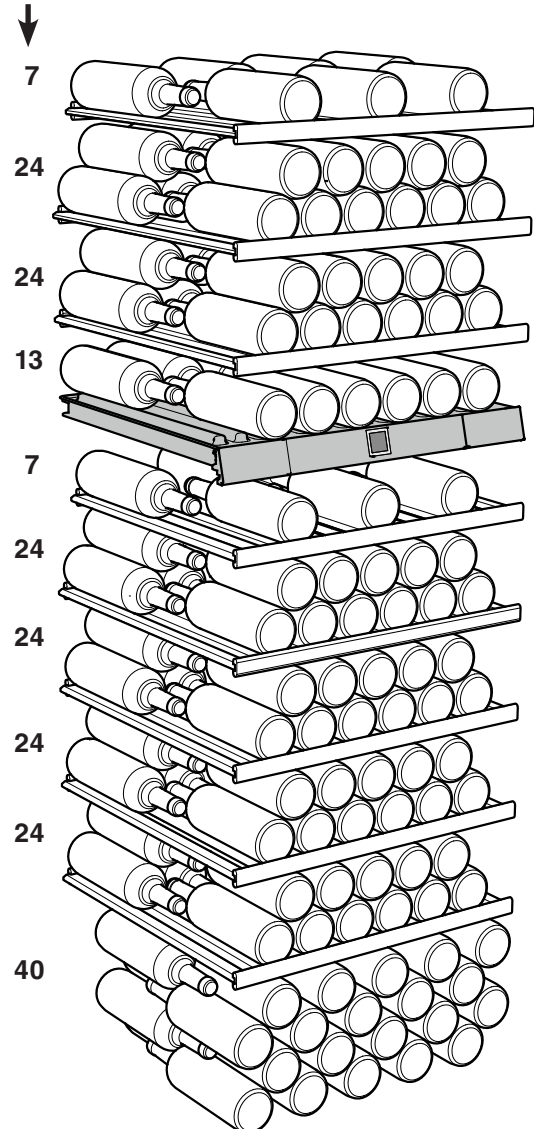
Click the label holder into place and slide the label in from the side.



## Storage diagram

for 0.75 l Bordeaux bottles to standard NF H 35-124

Number of bottles



**Total 211 bottles**



**Important**

The maximum load per wooden shelf is 35 kg.

## Cleaning

A failure to follow these instructions may result in the food being spoilt.

Before cleaning, always disconnect the appliance from the mains. Pull out the plug or switch off the fuse.

Surfaces which may come into contact with food and accessible drain systems must be cleaned at regular intervals.

If the door is left open for a lengthy period, the temperature in the appliance's compartments may rise dramatically.

- Clean the inside, equipment parts and outer walls with lukewarm water and a little detergent. Do not use chemical solvents or any cleaning agents containing sand or acid.
- Use a glass cleaner to clean the glass surfaces and a commercially available stainless-steel cleaning agent for the stainless-steel surfaces.

## ⚠ CAUTION

Risk of damage to the appliance components and risk of injury due to hot steam.

Do not use steam cleaning equipment to clean the appliance.

- Ensure that no cleaning water penetrates into the electrical components or ventilation grille.
- Dry all parts well with a cloth.
- Do not damage or remove the type plate on the inside of the appliance. It is very important for servicing purposes.

If the appliance is left empty for a lengthy period, it must be switched off, defrosted, cleaned and dried and the door is to be left open to prevent mould formation.

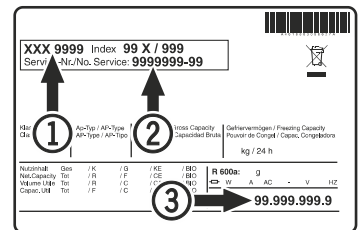
## Malfunctions

- **F1, F8, E1, E2, E7, or E8 appears in the display.**
  - The appliance has suffered a fault. Contact the customer service department.

**You may be able to rectify the following faults by checking the possible causes yourself.**

- **Appliance does not function:**
  - Is the appliance switched on?
  - Is the plug correctly fitted in the mains socket?
  - Is the fuse intact?
- **When inserting the mains plug, the refrigeration unit does not switch on, but a value is shown in the temperature display.**
  - Demo mode is activated. Contact the customer service department.
- **Loud running noise:**
  - Is the appliance set up firmly on the floor?
  - Does the appliance cause nearby items of furniture or objects to vibrate? Please note that noises caused by the refrigerant circuit cannot be avoided.
- **The temperature is not low enough:**
  - Is the temperature setting correct (see "Setting the temperature")?
  - Does the separately installed thermometer show the correct reading?
  - Is the ventilation system working properly?
  - Is the appliance set up too close to a heat source?

If none of the above causes apply and you cannot rectify the fault yourself, contact the nearest customer service department stating the type designation (1), service number (2) and appliance number (3) as indicated on the type plate.



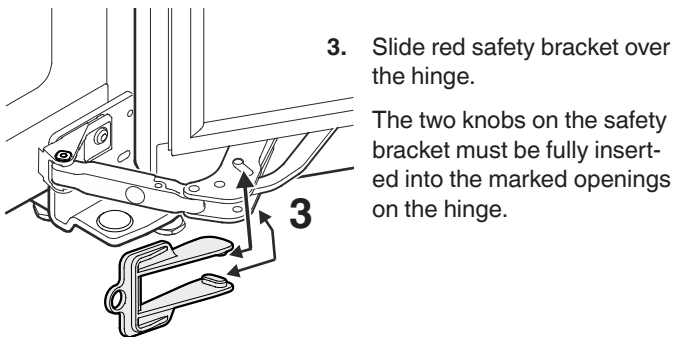
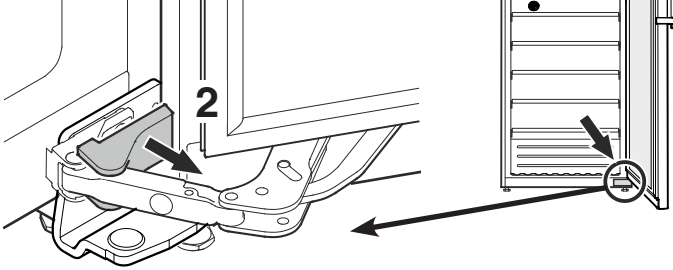
The position of the type plate is shown in the section entitled **Description of the appliance.**

## Changing over door hinges

Door hinges should only be changed by a trained expert.

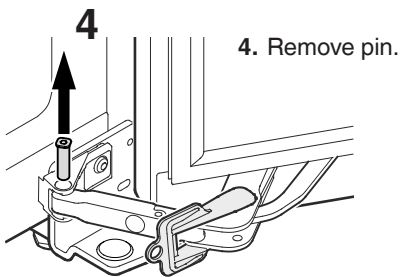
Changing the door hinges must be done by two people.

1. Open door as far as possible.
2. Remove cover.

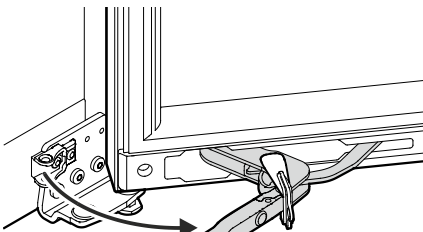


3. Slide red safety bracket over the hinge.

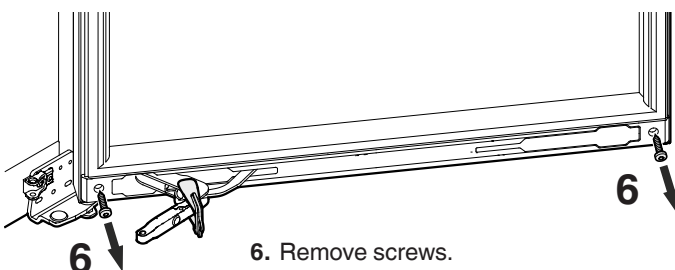
The two knobs on the safety bracket must be fully inserted into the marked openings on the hinge.



4. Remove pin.



5. Pivot soft stop mechanism to the right.

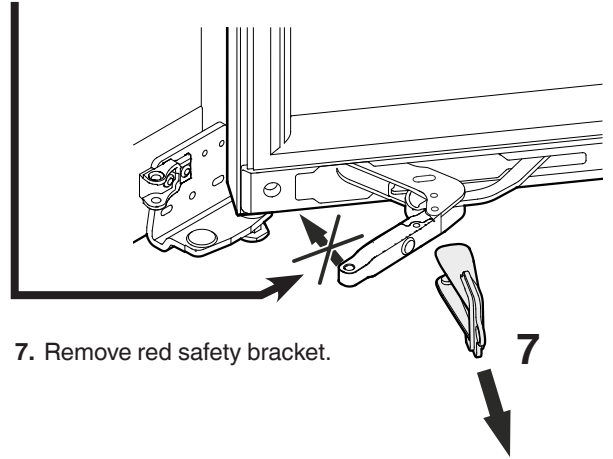


6. Remove screws.

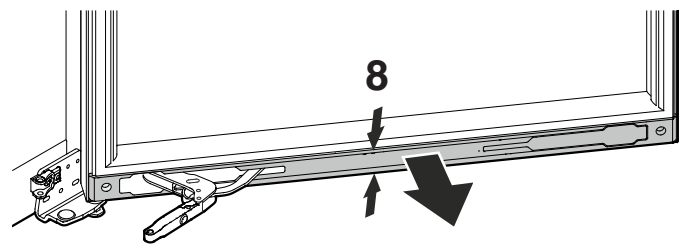


**WARNING!**

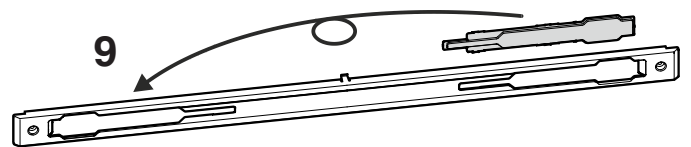
Do not move the front section of the soft stop mechanism in the direction indicated when the safety bracket has been removed. The hinge may be closed suddenly by the strong integrated spring mechanism. This can cause serious hand or finger injuries.



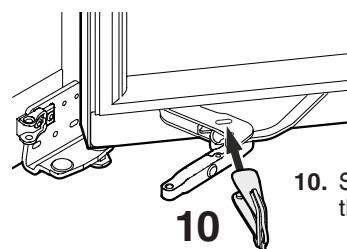
7. Remove red safety bracket.



8. Compress the cover in centre and release. Remove cover.

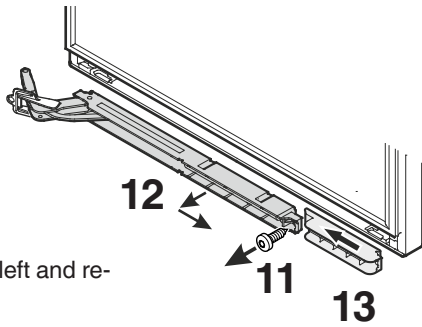


9. Transfer plate to other side of cover.

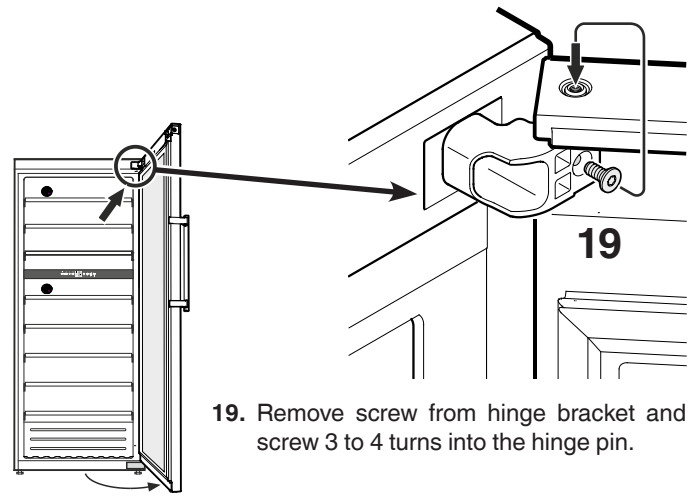
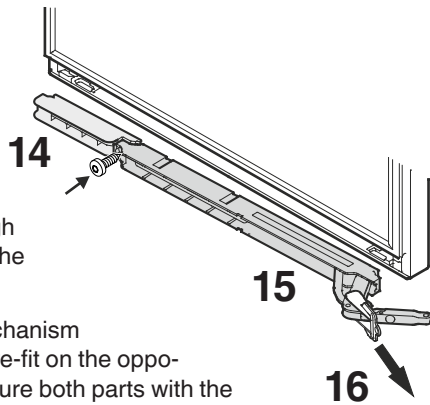


10. Slide red safety bracket over the hinge.

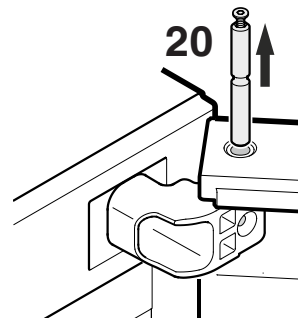
- 11. Remove screw.
- 12. Pivot soft stop mechanism outwards on the right, pull to the right and remove.
- 13. Slide spacer to the left and remove.



- 14. Turn spacer through 180° and re-fit on the opposite side.
- 15. Turn soft stop mechanism through 180° and re-fit on the opposite side. Then secure both parts with the screw.
- 16. Remove red safety bracket. Refer to warning in point 7.



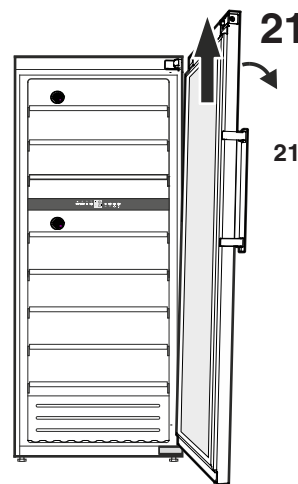
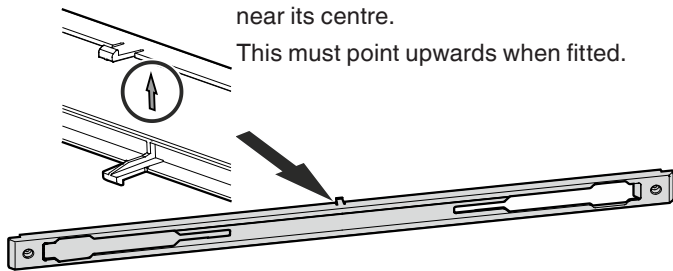
- 19. Remove screw from hinge bracket and screw 3 to 4 turns into the hinge pin.



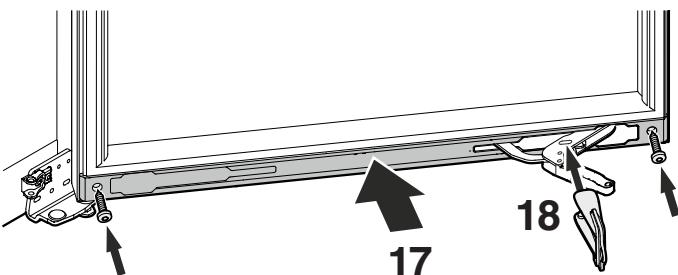
- Important**  
The door weighs 30 kg.  
The door must now be held secure by somebody.
- 20. Pull out hinge pin.

**Note for fitting bottom door cover**

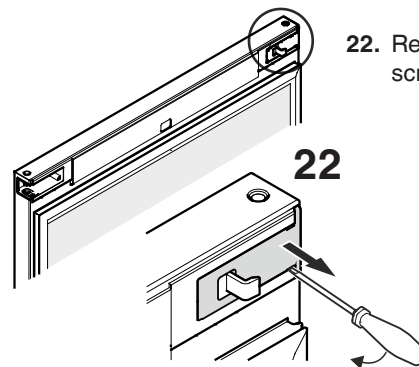
An arrow is visible on the inside of the cover near its centre.  
This must point upwards when fitted.



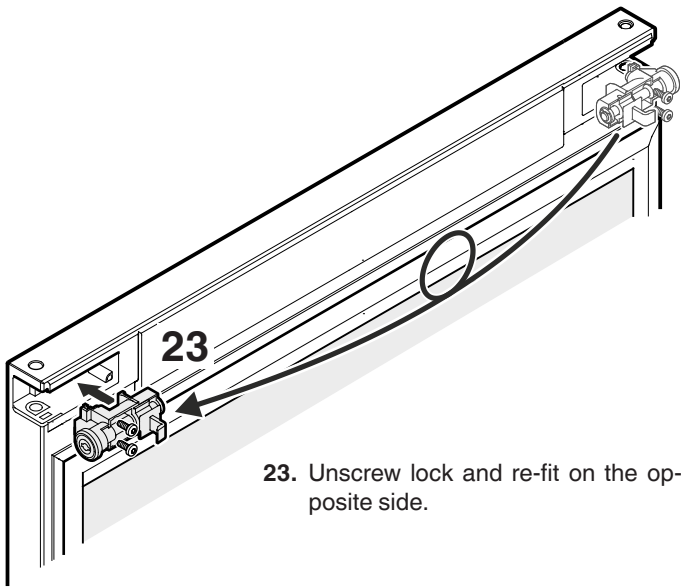
- 21. Tilt door slightly to the side and remove by lifting upwards.



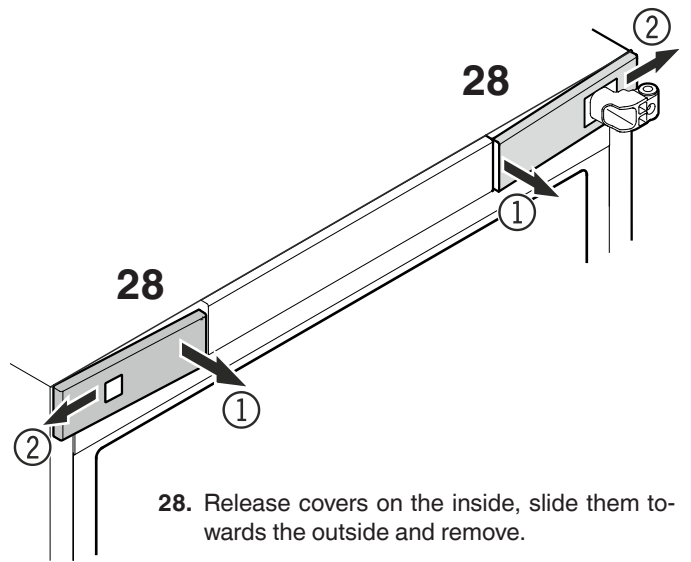
- 17. Position cover and screw into place.
- 18. Slide red safety bracket over the hinge.



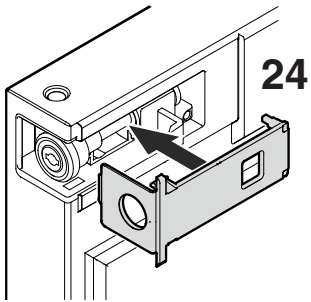
- 22. Release cover with a small screwdriver and remove.



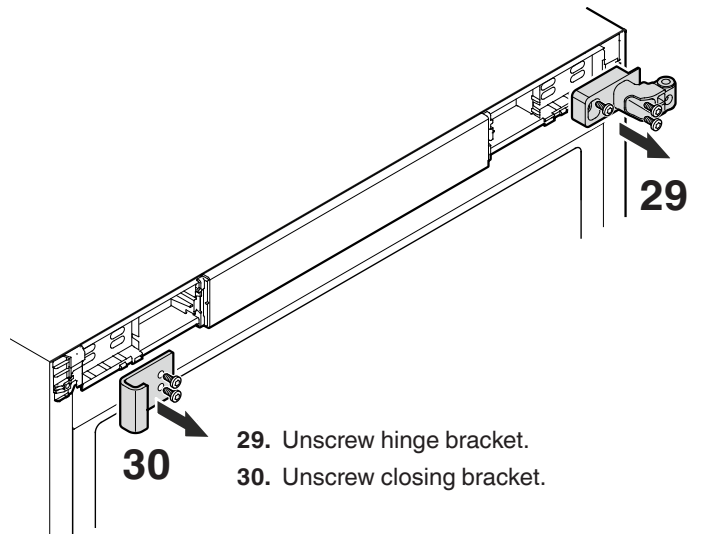
23. Unscrew lock and re-fit on the opposite side.



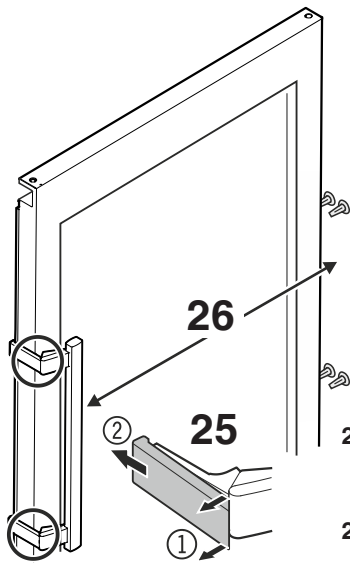
28. Release covers on the inside, slide them towards the outside and remove.



24. Click cover into place.

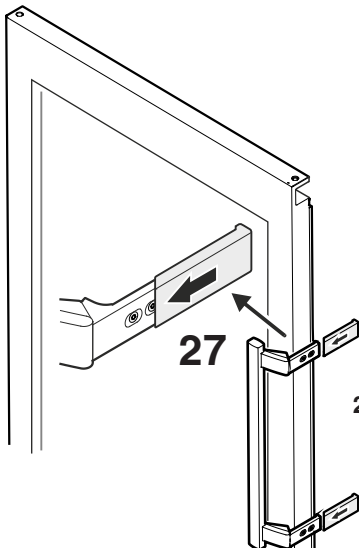


29. Unscrew hinge bracket.  
30. Unscrew closing bracket.

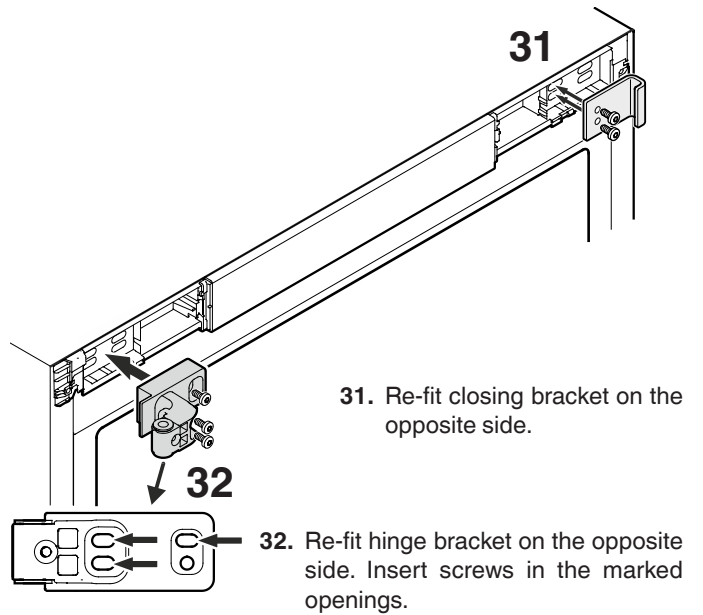


25. Release pressure plates at the front (1) and pull them backwards to remove (2).

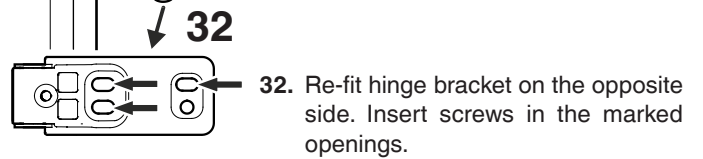
26. Transfer door handle and plugs to the opposite side.



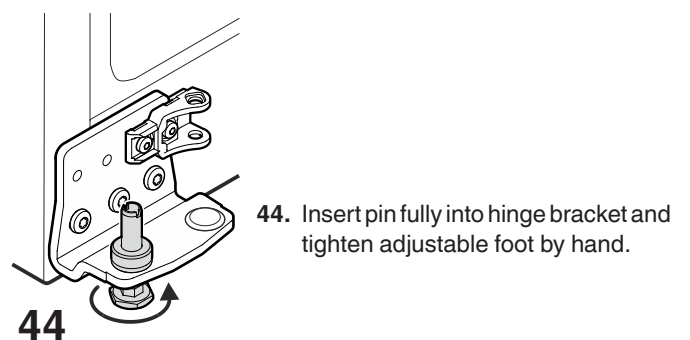
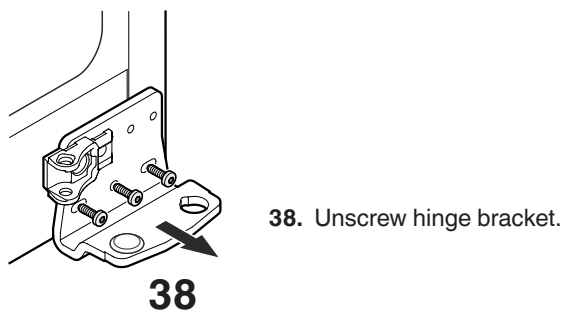
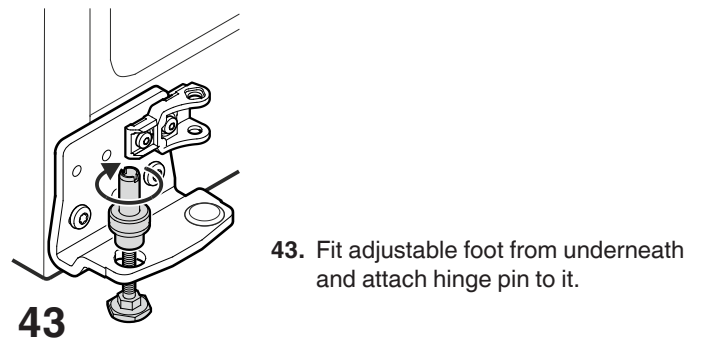
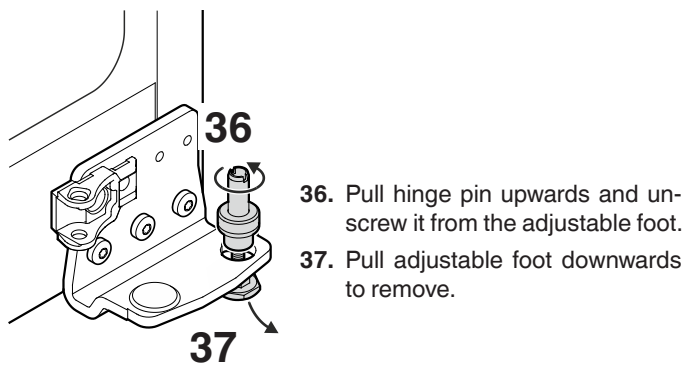
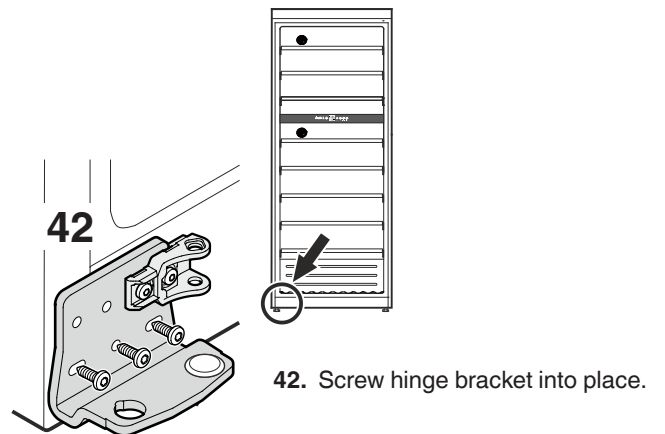
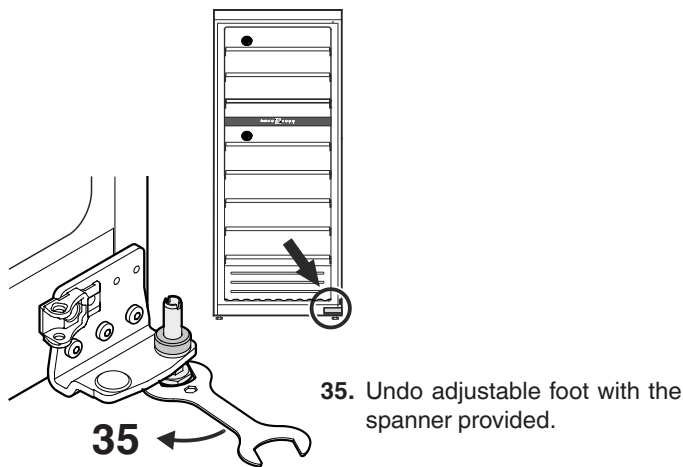
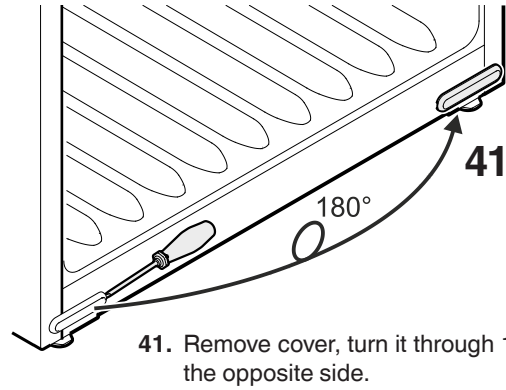
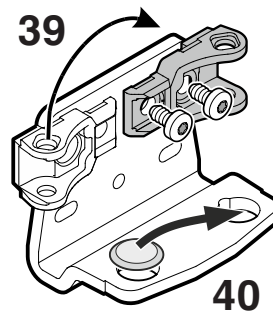
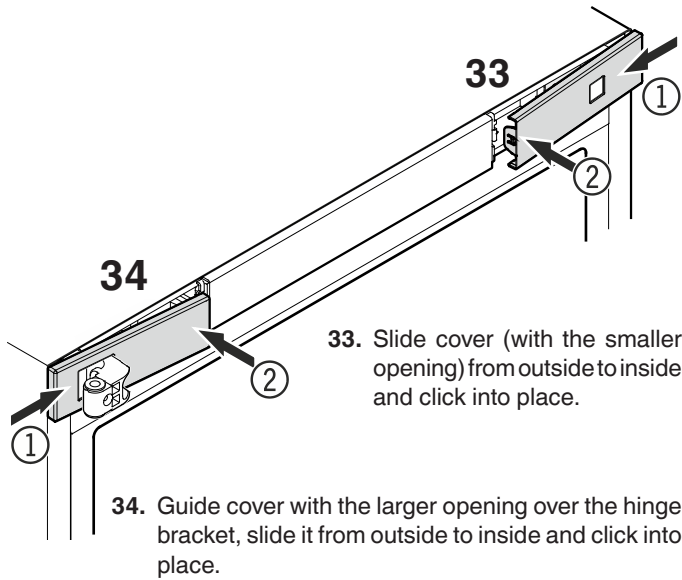
27. Push on pressure plates until they engage.

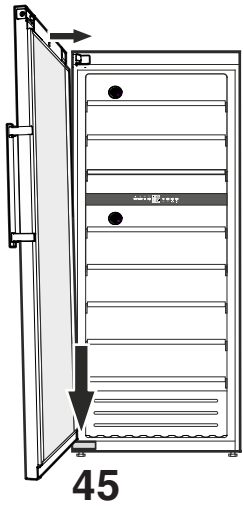


31. Re-fit closing bracket on the opposite side.



32. Re-fit hinge bracket on the opposite side. Insert screws in the marked openings.



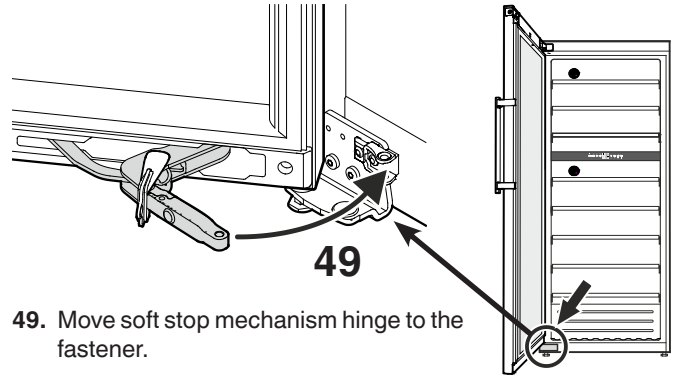


45. Place door on pin and move the top of it to the hinge bracket.

**Important**

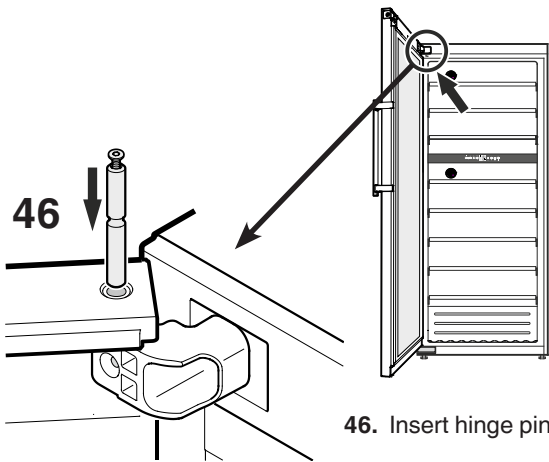
The door must now be held secure by somebody.

45



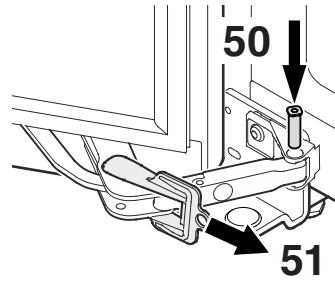
49. Move soft stop mechanism hinge to the fastener.

49



46. Insert hinge pin.

46

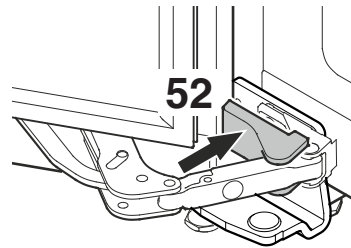


50. Insert pin.

51. Remove red safety bracket.

50

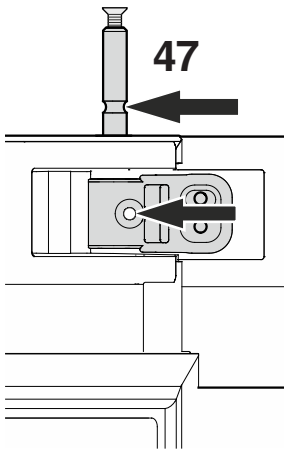
51



52. Click cover into place.

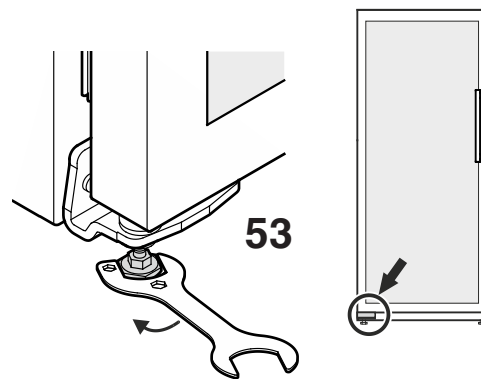
52

**Front view of top hinge bracket**



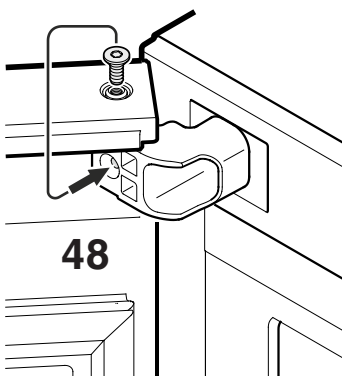
47. Push in hinge pin until groove in the pin lines up with bore hole in the hinge bracket.

47



53. Place the appliance in its final position at the place of installation.

53



48. Undo screw in hinge pin and screw into bore hole in hinge bracket.

48

**⚠ CAUTION**

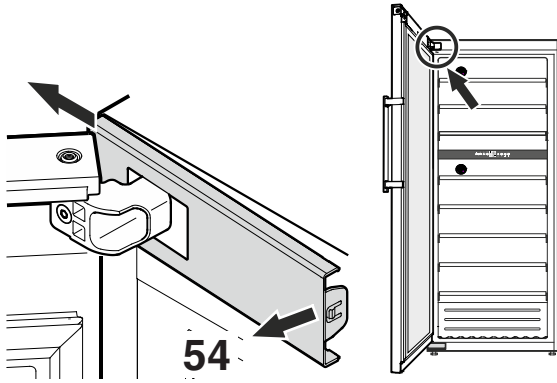
Risk of injury or damage from the appliance tipping or the door falling open!

If the additional adjustable foot on the base support is not correctly positioned on the floor, there is a risk of the door falling open or the appliance tipping. This can lead to injury or property damage.

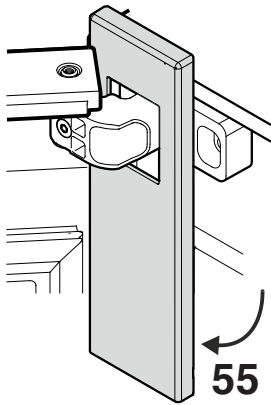
- ▶ Unscrew the additional adjustable foot on the support until it reaches the floor.
- ▶ Then turn it another 90°.

### Adjusting the lateral tilt of the door

If the door is at an angle, adjust the angle.

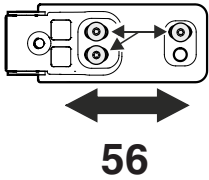


54. Release cover on the inside and slide to the outside.



55. Turn cover downwards.

Front view of top hinge bracket



56. Undo screws and slide hinge bracket to the right or left.

Tighten screws.

Re-fit cover following the instructions above in reverse order.

Close door and check that it is aligned with the side walls of the appliance.

### Shutting your appliance down

If your appliance is to be shut down for any length of time, switch it off and disconnect the plug or switch off or remove the fuse. Clean the appliance and leave the door open in order to prevent unpleasant smells.

The appliance complies with the relevant safety regulations and EU Directives 2014/35/EU, 2014/30/EU, 2009/125/EG and 2011/65/EU.



**Liebherr Hausgeräte Lienz GmbH**  
Dr.-Hans-Liebherr-Strasse 1  
A-9900 Lienz  
Österreich  
[www.liebherr.com](http://www.liebherr.com)

