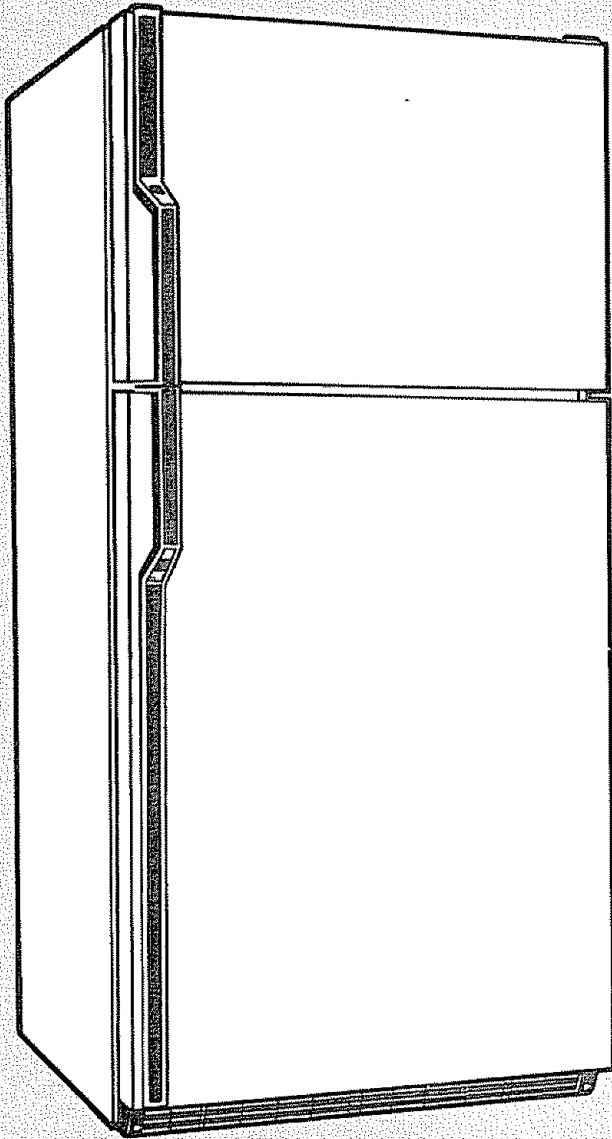


SEARS

Kenmore Refrigerator Owner's Manual



Contents

• English Version	2
• Version française	19
• Versión en español	39
• Safety Instructions	2
• Grounding Requirements	2, 3
• Starting the Refrigerator	3, 4
• Adjusting the Controls	4
• Food Storage Suggestions	4, 5
• Features	8
• Ice Service	9, 10
• Care and Cleaning	11, 12
• Vacation and Moving Precautions	13
• Energy-Saving Tips	14
• Before You Call for Service	14, 15
• Reversing Door Swing	16-18
• Warranty	Back Cover

Your old refrigerator has a cooling system that used CFCs (chlorofluorocarbons). CFCs are believed to harm stratospheric ozone.

If you are throwing away your old refrigerator, make sure the CFC refrigerant is removed for proper disposal by a qualified servicer. If you intentionally release this CFC refrigerant you can be subject to fines and imprisonment under provisions of the federal Clean Air Act.

Please record the model number, serial number and date you purchased your Kenmore refrigerator in the space below. See page 8 for model and serial number location.

Model Number

Serial Number

Date of Purchase

SEARS, ROEBUCK AND CO., Hoffman Estates, IL 60179 USA

Top Freezer, No-Frost 18-25 cu. ft. Models
Some models include an Automatic Icemaker.
Other models are ready for future Automatic Icemaker installation.

IMPORTANT SAFETY INSTRUCTIONS

Read all instructions before using this appliance.

WARNING—When using this appliance, always exercise basic safety precautions, including the following:

- **Use this appliance only for its intended purpose** as described in this Owner's Manual.
- **This refrigerator must be properly installed in accordance with the Attention Installer Instructions before it is used.** See grounding requirements below and on page 3.
- **Never unplug your refrigerator by pulling on the power cord.** Always grip plug firmly and pull straight out from the outlet.
- **Repair or replace immediately all electric service cords that have become frayed or otherwise damaged.** Do not use a cord that shows cracks or abrasion damage along its length or at either the plug or connector end.
- **When moving your refrigerator away from the wall, be careful not to roll over or damage the power cord.**
- **After your refrigerator is in operation, do not touch the cold surfaces in the freezer compartment, particularly when hands are damp or wet.** Skin may adhere to the extremely cold surfaces.
- **If your refrigerator has an icemaker, do not place fingers or hands on the automatic icemaking mechanism while the refrigerator is plugged in.** This will help protect you from possible injury. It will also prevent interference with the moving parts of the ejector mechanism, or with the heating element that releases the cubes.
- **Do not store or use gasoline or other flammable vapors and liquids in the vicinity of this or any other appliance.**

• **Don't refreeze frozen foods which have thawed completely.** The United States Department of Agriculture in Home and Garden Bulletin No. 69 says:

"...You may safely refreeze frozen foods that have thawed if they still contain ice crystals or if they are still cold—below 40°F. (4°C.).

"...Thawed ground meats, poultry or fish that have any off-odor or off-color should not be refrozen and should not be eaten. Thawed ice cream should be discarded. If the odor or color of any food is poor or questionable, get rid of it. The food may be dangerous to eat.

"Even partial thawing and refreezing reduce the eating quality of foods, particularly fruits, vegetables and prepared foods. The eating quality of red meats is affected less than that of many other foods. Use refrozen foods as soon as possible to save as much of their eating quality as you can."

- **If your old refrigerator is still around the house but not in use, be sure to remove the doors.** This will reduce the possibility of danger to children.
- **Do not allow children to climb, stand or hang on the shelves in the refrigerator.** They could damage the refrigerator and seriously injure themselves.
- **Unplug your refrigerator before making any repairs.** **NOTE:** We strongly recommend that any servicing be performed by a qualified individual.
- **Before replacing a burned-out light bulb,** unplug the refrigerator or turn off power at the circuit breaker or fuse box in order to avoid contact with a live wire filament. (A burned-out light bulb may break when being replaced.) **NOTE:** Moving control to OFF position does not remove power to the light circuit.

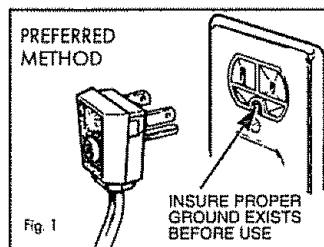
SAVE THESE INSTRUCTIONS

Grounding Requirements Important—Please read carefully.

To connect electricity

For personal safety, this appliance must be properly grounded.

The power cord of this appliance is equipped with a three-prong (grounding) plug which mates with a standard three-prong (grounding) wall outlet (Fig. 1) to minimize the possibility of electric shock hazard from this appliance.



Have wall outlet and circuit checked by a qualified electrician to make sure outlet is properly grounded.

Where a standard two-prong wall outlet is encountered, it is your personal responsibility and obligation to have it replaced with a properly grounded three-prong wall outlet.

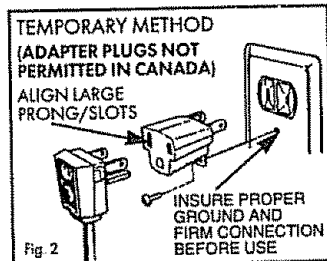
DO NOT, UNDER ANY CIRCUMSTANCES, CUT OR REMOVE THE THIRD (GROUND) PRONG FROM THE POWER CORD.

Starting the Refrigerator

Use of Adapter Plug

Because of potential safety hazards under certain conditions, we strongly recommend against use of an adapter plug. However, if you still elect to use an adapter, where local codes permit, a **TEMPORARY CONNECTION** may be made to a properly grounded two-prong wall outlet by use of a UL listed adapter (Fig. 2) available at most local hardware stores.

The larger slot in the adapter must be aligned with the larger slot in the wall outlet to provide proper polarity in the connection of the power cord.



CAUTION: Attaching an adapter ground terminal to the wall outlet cover screw does not ground the appliance unless the cover screw is metal, and not insulated, and the wall outlet is grounded through the house wiring. You should have circuit checked by a qualified electrician to make sure the outlet is properly grounded.

When disconnecting the power cord from the adapter, always hold the adapter with one hand. If this is not done, the adapter ground terminal is very likely to break with repeated use.

Should the adapter ground terminal break, DO NOT USE the appliance until a proper ground has again been established.

Use of Extension Cords

Because of potential safety hazards under certain conditions, we strongly recommend against the use of an extension cord. However, if you still elect to use an extension cord, it is absolutely necessary that it be a UL listed 3-wire grounding type appliance extension cord having a grounding type plug and outlet and that the electrical rating of the cord be 15 amperes (minimum) and 120 volts.

Electrical Requirements

The refrigerator should always be plugged into its own individual electrical outlet which has a voltage rating that matches the rating plate.

This provides the best performance and also prevents overloading house wiring circuits which could cause a fire hazard from overheated wires.

Location

- Install the refrigerator on a floor strong enough to support it when it is fully loaded.
- Do not install it where the temperature will go below 60°F. (16°C.) because it will not run often enough to maintain proper temperatures.
- Do not install it next to your range, a heating vent or where the sun will shine directly on it.

Clearances

Allow the following clearances for ease of installation, proper air circulation, and plumbing and electrical connections:

Sides	3/4" (19 mm)
Top	1" (25 mm)
Back	1" (25 mm)

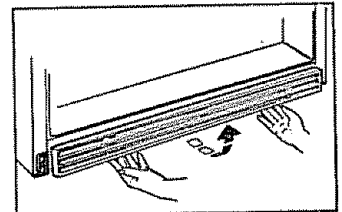
For deep door models, leave 1 1/2" (44 mm) door clearance on the hinge side if the refrigerator is installed against the wall.

Leveling

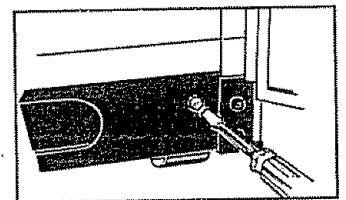
Adjustable rollers behind the base grille enable you to move the refrigerator away from the wall for cleaning. These rollers should be set so the refrigerator rests firmly on the floor with the front raised just enough that the doors close easily when opened about halfway.

To adjust the rollers:

- Remove the base grille. Grasp it at the bottom and pull it out.



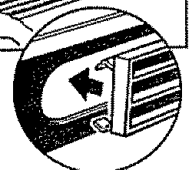
- Turn the roller adjusting screws **clockwise to raise** the refrigerator, **counter-clockwise to lower** it. Use a blade-type screwdriver. Both doors should close properly when bottom front edge of refrigerator cabinet is about 3/4" (19 mm) from the floor.



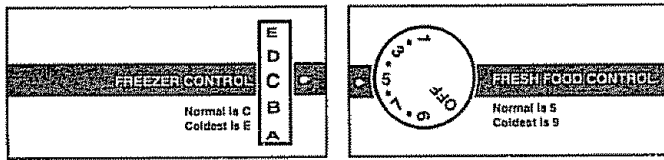
- **To replace the base grille,** line up the prongs on the grille with the clamps on the refrigerator and push forward until the grille snaps into place.



(continued next page)



Starting the Refrigerator (continued)



Temperature Controls

Your refrigerator has two controls that let you regulate the temperature in the fresh food and freezer compartments.

At first, set the Fresh Food control at "5" and the Freezer control at "C".

Allow 24 hours for the temperature to stabilize, whether you are setting the controls for the first time or adjusting them later. Then, if you want colder or warmer temperatures in either compartment, adjust the controls one letter or number at a time.

NOTE: Turning the Fresh Food control to OFF turns off cooling in both compartments—fresh food and freezer—but does not shut off power to the refrigerator.

How to test temperatures:

Use milk test for fresh food compartment. Place a container of milk on the top shelf in the fresh food compartment. Check it a day later. If the milk is too warm or too cold, adjust the temperature controls.

Use ice cream test for freezer compartment. Place a container of ice cream in the center of the freezer compartment. Check it after a day. If it's too hard or too soft, adjust the temperature controls.

Turning your household thermostat below 60°F. (16°C.) at night? You may want to move the Freezer control one step colder, as from "C" to "D". Cooler temperatures in the house may cause the compressor to operate less frequently, thus allowing the freezer compartment to warm somewhat.

To protect your frozen food supply, leave your Freezer control at this new, colder setting for the entire winter or for as long as you keep your thermostat turned down.

Moving the Freezer control to a colder setting should have no effect on your fresh food compartment. However, if freezing occurs, turn the numbered control one step warmer, as from "5" to "4".

When you stop turning the household thermostat down at night, turn the refrigerator temperature controls back to their regular settings.

Power Miser Switch

This switch is on the temperature control panel.



To reduce the amount of electricity required to operate your refrigerator, be sure the switch is pushed to the left position. This turns off the heater in your refrigerator that prevents moisture from forming on the outside.

If moisture forms on the outside of the refrigerator, push the Power Miser Switch to the right. The low-wattage heater will warm the outside of the cabinet and, under most conditions, prevent the forming of moisture or water droplets.

Food Storage Suggestions

Fresh Food Storage Tips

To store unfrozen meats, fish and poultry:

- Always remove store wrappings.
- Rewrap in foil, film or wax paper and refrigerate immediately.

To store cheese, wrap well with wax paper or aluminum foil, or put in a plastic bag.

- Carefully wrap to expel air and help prevent mold.
- Store pre-packaged cheese in its own wrapping if you wish.

To store vegetables, use the vegetable drawers—they've been designed to preserve the natural moisture and freshness of produce.

- Covering vegetables with a moist towel helps maintain crispness.
- As a further aid to freshness, pre-packaged vegetables can be stored in their original wrapping.

Suggested Storage Times

Eating quality drops after time shown	DAYS IN REFRIGERATOR AT 35° to 40°F. (2° to 4°C.)	MONTHS IN FREEZER AT 0°F. (-18°C.)
	Fresh Meats	
Roasts (Beef & Lamb)	3 to 5	6 to 12
Roasts (Pork & Veal)	3 to 5	4 to 8
Steaks (Beef)	3 to 5	6 to 12
Chops (Lamb)	3 to 5	6 to 9
Chops (Pork)	3 to 5	3 to 4
Ground & Stew Meats	1 to 2	3 to 4
Variety Meats	1 to 2	3 to 4
Sausage (Pork)	1 to 2	1 to 2
Processed Meats		
Bacon	7	1
Frankfurters	7	1/2
Ham (Whole)	7	1 to 2
Ham (Half)	3 to 5	1 to 2
Ham (Slices)	3	1 to 2
Luncheon Meats	3 to 5	Freezing not recom- mended.
Sausage (Smoked)	7	
Sausage (Dry & Semi-Dry)	14 to 21	
Cooked Meats		
Cooked Meats and Meat Dishes	3 to 4	2 to 3
Gravy & Meat Broth	1 to 2	2 to 3
Fresh Poultry		
Chicken & Turkey (Whole)	1 to 2	12
Chicken (Pieces)	1 to 2	9
Turkey (Pieces)	1 to 2	6
Duck & Goose (Whole)	1 to 2	6
Giblets	1 to 2	3
Cooked Poultry		
Pieces (Covered with Broth)	1 to 2	6
Pieces (Not Covered)	3 to 4	1
Cooked Poultry Dishes	3 to 4	4 to 6
Fried Chicken	3 to 4	4
(Other than for meats & poultry)		FREEZER
Most fruits and vegetables		8-12 months
Lean fish		6-8 months
Fatty fish, rolls and breads, soups, stew, casseroles		2-3 months
Cakes, pies, sandwiches, leftovers (cooked), Ice cream (original carton)		1 month max.

Meats, fish and poultry purchased from the store vary in quality and age; consequently, safe storage times in your refrigerator will vary. For meat and poultry information, call the U.S. Dept. of Agriculture at 800-535-4555.

New techniques are constantly being developed. Consult the College or County Extension Service or your local Utility Company for the latest information on freezing and storing foods.

Tips on freezing foods

1. Freeze only top-quality foods. Freezing retains quality and flavor; it cannot improve quality.

2. Freeze fruits and vegetables quickly after picking. The sooner you do, the better the frozen product will be, with less culling and sorting to do.

3. Use food wraps designed especially for freezing.

To store ice cream—Fine-quality ice cream, with high cream content, will normally require slightly lower temperatures than more "airy" already-packaged brands with low cream content.

- It will be necessary to experiment to determine the freezer compartment location and temperature control setting to keep your ice cream at the right serving temperature.

- The rear of the freezer compartment is slightly colder than the front.

To freeze meat, fish and poultry, wrap well in freezer-weight foil (or other heavy-duty wrapping material) forming it carefully to the shape of the contents. This expels air. Fold and crimp ends of the package to provide a good, lasting seal.

Don't refreeze meat that has completely thawed; meat, whether raw or cooked, can be frozen successfully only once.

For convenience...

- Store like things together. This saves both time and electricity because you can find foods faster.
- Place the oldest items up front so they can be used up promptly.
- Use door shelves or bins for most often used items.

To save money in energy and food costs...

- Cover moist foods with tight lids, plastic film or foil.
- Leaf vegetables and fruits placed in drawers will last longer when stored in closed plastic containers or wrapped in plastic film.
- Do not overload your fresh food or freezer compartment with a lot of warm food at once.
- Open the doors the fewest times possible to save electrical energy.
- When going out of town for several days, leave as few perishables as possible in the refrigerator. If your refrigerator has an icemaker, move the icemaker feeler arm to the STOP (up) position and shut off water to the refrigerator.

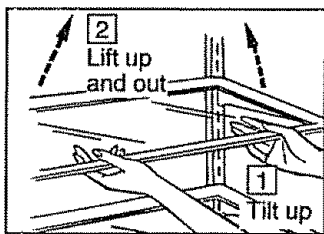
Shelves and Storage Drawers

Adjustable Shelves

Shelves in the fresh food and freezer compartments are adjustable, enabling you to make efficient shelf arrangements.

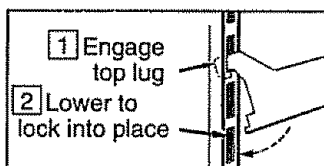
To remove a shelf:

Tilt the shelf up at front, then lift it up and out of the tracks on the rear wall of the refrigerator.



To replace a shelf:

Select desired shelf height. With the shelf front raised slightly, engage the top lugs in the tracks at the rear of the cabinet. Then lower the front of the shelf until it locks into position.



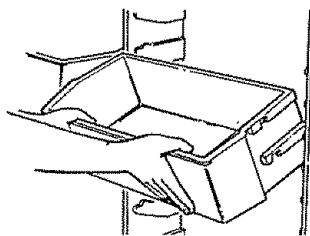
Wire shelves (on some models) are adjustable in the same manner.

Door Shelves (on some models)

Shelves on both doors keep frequently-used items within easy reach.

Removable Door Bins (on some models)

Adjustable bins on fresh food and freezer compartment doors can easily be carried from the refrigerator to the work area.

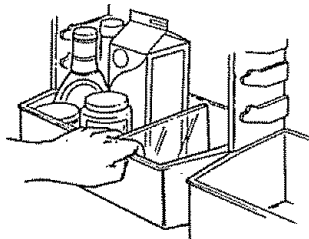


To remove: Slide bin forward on molded supports until it comes completely out of the door.

To relocate: Select desired shelf height, engage bins in the molded supports of the door, and slide in. Bin will hook in place.

Dividers (on some models)

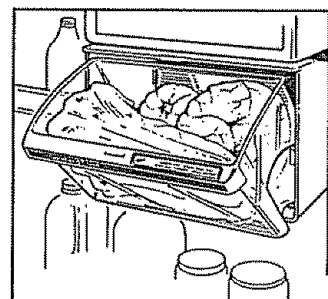
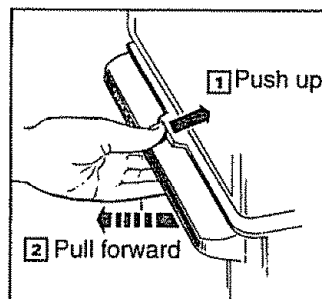
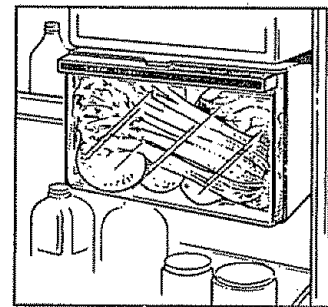
Dividers are designed to give you storage flexibility in removable bins and on your fresh food door shelves. Items such as salad dressings, steak sauces and other condiments can now be kept securely against the door liner to help prevent tipping, spilling or sliding.



Place index finger and middle finger on either side of the divider near the front and simply move it back and forth to fit your needs.

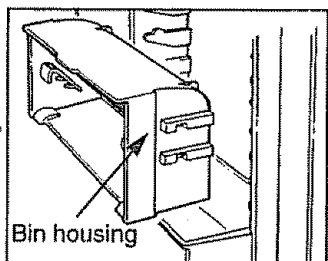
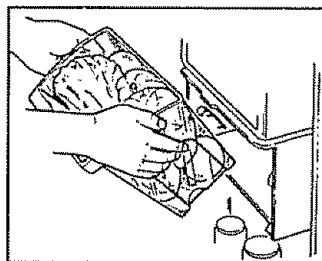
Storage Bin (on some models)

This removable tilt-out bin can be located on the fresh food or freezer compartment door. It has been designed for convenient storage of those frequently-used items that do not fit easily into a door bin or soon-to-be-used items that require covered storage to keep from drying out.



To open, push the latch up and pull the bin handle forward.

To avoid damaging the refrigerator, make sure the bin is closed and latched before closing the refrigerator door.

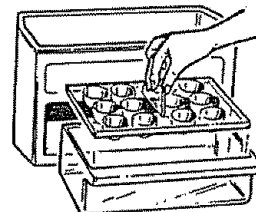


To remove the bin, lift up and out of the bin housing.

To relocate the Storage Bin unit, lift the bin housing up and out of the molded supports on the door, move it to the desired new location, and lower it onto the molded supports on the door. You do not have to remove the bin from the housing when relocating the Storage Bin unit.

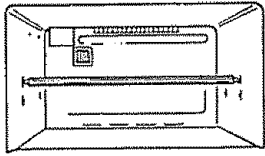
Eggs/Deli Drawer (on some models)

This drawer is a convenient place to store eggs or deli foods.

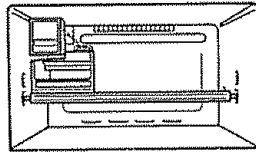


Two-Position Freezer Shelf (on some models)

To relocate the two-position freezer shelf, lift slightly and move it sideways to free the ends of the shelf from the holes in the walls. Then tilt the shelf and take it out. To reinstall the shelf, first insert one end and then the other.



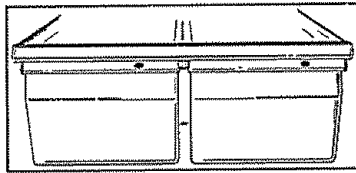
For models without an icemaker, the shelf can be placed in either position.



For models with an icemaker, the shelf must be placed in the lower position.

Sealed Crisper Drawer (on some models)

This drawer is designed to keep unwrapped foods fresh by retaining the natural moisture content of foods such as:



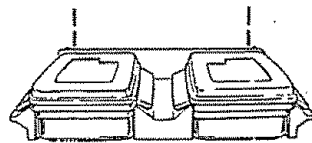
- Artichokes
- Asparagus
- Beets, topped
- Blueberries
- Carrots
- Celery
- Cherries
- Corn
- Currants
- Greens, leafy
- Lettuce
- Parsley
- Peas, green
- Plums
- Radishes
- Rhubarb
- Spinach
- Tomatoes, ripe

As in any refrigerated storage area, foods with strong odors should be stored wrapped—foods such as:

- Brussels Sprouts
- Broccoli
- Cauliflower
- Turnips
- Cabbage
- Green Onions
- Parsnips

Handi Dishes (on some models)

Cooking-serving-storage dishes with durable see-through lids fit into a rack that hangs on the fresh food or freezer compartment door.



Dishes can be removed from and returned to the rack as needed, and the rack can be removed and relocated on either door in the same manner as the door bins above.

Dishes and lids are safe for use in microwave ovens, refrigerators, freezers, and are dishwasher-safe. The dishes should not be used for cooking high-fat foods such as bacon and high-sugar foods such as candy and syrup. The high temperatures of the fat and sugar can cause bubbles to form on the inside of the dish.

CAUTION: Dishes and lids are not designed for use in the regular oven, on the range-top or in the broiler. Such use can be hazardous.

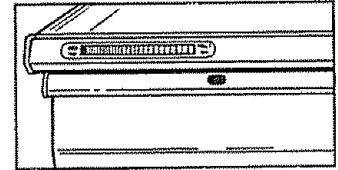
Crisper Drawer (on some models)

This drawer is designed to provide lower humidity storage for items such as:

- Apples
- Apricots
- Grapes
- Mushrooms
- Nectarines
- Oranges
- Peaches
- Pears
- Raspberries
- Squash, Summer
- Strawberries
- Tangerines

Adjustable Humidity Drawers (on some models)

These drawers have individual, adjustable humidity controls that let you regulate the amount of cold air entering the drawers.



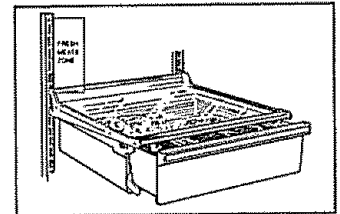
Slide the controls all the way to VEG setting and the drawer provides **higher humidity levels** recommended for most vegetables.

Slide the controls all the way to FRUITS setting and the drawer provides **lower humidity levels** recommended for most fruits.

Adjustable-Temperature Meat Keeper (on some models)

This drawer is designed for lunch meats, snacks, cheese, bacon and spreads as well as for temporary storage of fresh meats you do not want to freeze. It can be removed and taken to the food preparation area. And the drawer and shelf to which it attaches can be relocated at any level to suit your food storage needs.

When this drawer is placed in the top 6 slots on the left side and the lever is set at COLDEST, air from the freezer is forced around the drawer to keep it very cold.



The variable temperature control lever lets you regulate the amount of cold air surrounding the drawer.

When the lever is all the way up, the damper over the opening in the drawer is fully open to provide the coldest storage area.

When the lever is all the way down, the damper is fully closed. Normal refrigerator temperatures will be maintained.

Various in-between settings may be selected.

Features

AUTOMATIC ICEMAKER OR PROVISION FOR ONE

If your refrigerator has an automatic icemaker see operating instructions. If not, you may add one. An automatic icemaker accessory kit is available from your Sears store or Sears Service Center.

USE AND CARE LABEL

Information you'll want to know is right on the refrigerator, including everyday care.

TEMPERATURE CONTROLS

Set Freezer control at "C" and Fresh Food control at "5." They may need adjusting later.

MEAT KEEPER

Drawer provides convenient storage for temporary meats you do not want to freeze as well as snacks, lunch meats, bacon, cheese and spreads. An adjustable temperature control on some models lets you regulate the amount of cold air surrounding the drawer.

MODEL AND SERIAL NUMBER LOCATION

You'll find these numbers here. To order repair parts, see the parts list that came with your refrigerator, or take these numbers to your nearest Sears Service Center and they will help you.

FLEXIBLE ICE CUBE TRAYS

Twist both ends of these trays and ice cubes empty into a container or cubes can be lifted out one by one.

NO DEFROSTING

It is not necessary to defrost the freezer or fresh food compartments. Your refrigerator is designed and equipped to defrost itself automatically.

ADJUSTABLE FREEZER SHELVES

Support ice storage bin at proper level in icemaker-equipped models, adjust up or down for extra storage flexibility in models with ice trays. Some models have half-width multi-position shelves, others have a full-width two-position shelf.

POWER MISER SWITCH

Reduces amount of electricity required to operate the refrigerator when pushed to the left position. Reduces or eliminates moisture on outside of refrigerator when pushed to the right.

UTILITY BIN

Dual-usage bin holds two dozen eggs in their cartons, or stores an extra supply of ice cubes in the freezer for special occasions.

DAIRY BIN

Door stays open while bin is in use, provides easy access to dairy products.

DOOR BINS

(on some models) Removable bins on the doors keep frequently used food items within easy reach.

DOOR SHELVES

(on some models) Shelves on both doors keep frequently-used items within easy reach.

DIVIDER (on some models)

Move it where needed on door bins to keep small items such as small bottles and jars so they won't tip, spill or slide.

EGGS/DELI DRAWER

(on some models) This drawer is a convenient place to store eggs or deli foods.

CRISPER DRAWER

(on some models) This sealed drawer has been designed to allow higher air flow to provide lower humidity levels for most fruits. An adjustable humidity control, on models that have one, lets you regulate the amount of cold air entering the drawer.

SEALED CRISPER DRAWER

(on some models) The left drawer is sealed to maintain higher humidity levels for unwrapped foods and most vegetables. An adjustable humidity control on some models lets you regulate the amount of cold air entering the drawer.

ADJUSTABLE SHELVES IN REFRIGERATOR

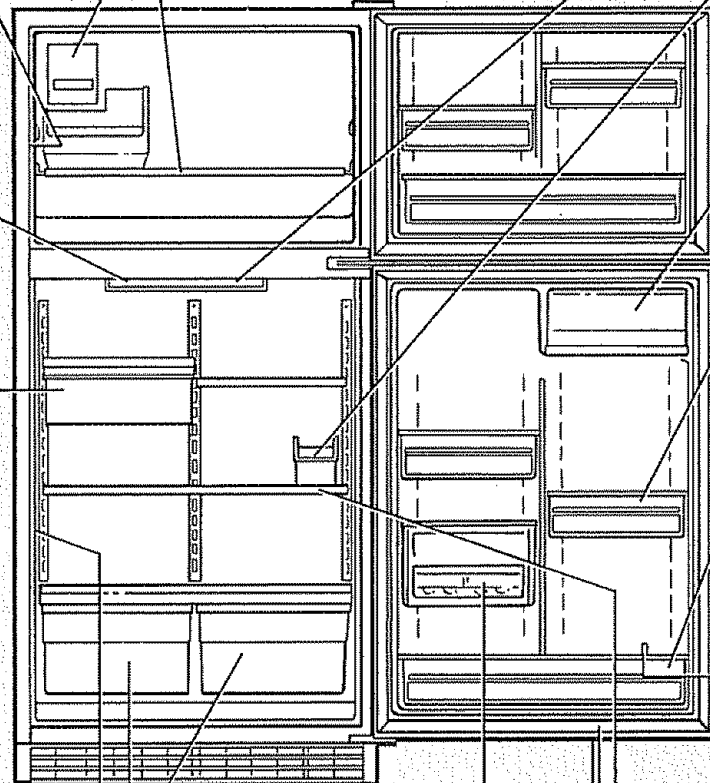
Shelves let you arrange—and rearrange—the interior of your refrigerator to meet your ever-changing food storage needs.

MAGNETIC DOOR GASKETS

Doors close quietly, and gaskets seal tightly when the refrigerator is level—see "Starting the Refrigerator."

TEXTURED STEEL DOORS

Touch the textured doors; they won't show fingerprints.



Ice Service

Automatic Icemaker (on icemaker-equipped models)

A newly-installed refrigerator may take 8 to 12 hours to begin making ice.

Your icemaker will produce eight cubes per cycle—approximately 100 cubes in a 24-hour period, depending on freezer compartment temperature, room temperature, number of door openings and other use conditions.

If your refrigerator is operated before the water connection is made to the icemaker, keep the feeler arm in the STOP (up) position.

When the refrigerator has been connected to the water supply, move the feeler arm to the ON (down) position.

The icemaker will fill with water when it cools to freezing. A newly-installed refrigerator may take 8 to 12 hours to begin making ice cubes.

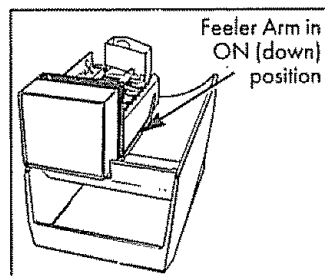
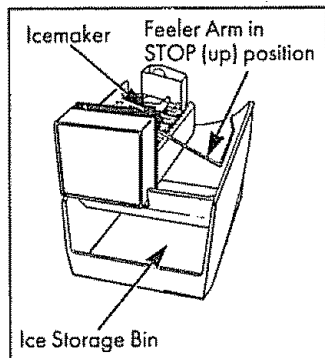
Throw away the first few batches of ice. This flushes away impurities in the water line.

Icemaking will continue until the feeler arm senses a sufficient accumulation of ice cubes in the storage bin and halts the operation temporarily. For maximum ice storage, level the stored cubes with your hand occasionally. Be sure nothing interferes with the swing of the feeler arm.

The icemaker ejects cubes in groups of eight and it is normal for several cubes to be joined together.

Move the icemaker feeler arm to the STOP (up) position when:

- home water supply is to be off for several hours.
- ice storage bin is to be removed for a period of time.
- going away on vacation, at which time you should also turn off the valve in the water supply line to your refrigerator.
- turning the fresh food control to the OFF position.



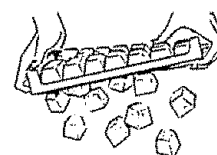
If ice is not used frequently, old ice cubes will become cloudy and taste stale. Empty the ice storage bin periodically and wash it in lukewarm water. Be sure to allow the storage bin to dry before replacing it—otherwise ice cubes may stick to other parts of the icemaker.

If this is your first icemaker, you'll hear occasional sounds that may be unfamiliar. They are normal icemaking sounds and are not a cause for concern.

Ice Trays (on models without automatic icemaker)

To release ice cubes, turn the tray upside down, hold it over a container, and twist both ends.

For only one or two ice cubes, leave the tray right-side up, twist both ends slightly, and remove as many cubes as you want.



Wash ice trays in lukewarm water only. Do not put them in an automatic dishwasher.

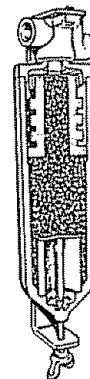
Automatic Icemaker Accessory Kit (optional at extra cost)

If your refrigerator did not come already equipped with an automatic icemaker, you may add one—contact your Sears store or Sears Service Center.

Water Filter Accessory (optional at extra cost)

Your ice cubes can only be as fresh-tasting as the water that produces them. That's why it's a good idea to purify the water with a water filter.

The water filter is an optional part at extra cost and is available from your Sears Service Center. Order Filter No. 978488 and it may be installed in minutes when attached to the inlet water tube connection.



Water Supply Accessory Kit (optional at extra cost)

A water supply kit containing copper tubing, shut-off valve, fittings and instructions needed to connect the icemaker to your cold water line is also available from your Sears store or Sears Service Center.

(continued next page)

Ice Service (continued)

Icemaker Water Line Installation Requirements

You will need a shutoff valve, two 1/4" O.D. compression nuts, two compression sleeves and enough 1/4" O.D. copper tubing to connect refrigerator to water source. (Your Sears Store or Catalog Sales Office has a kit available with a saddle-type shutoff valve and copper tubing. Before purchasing, make sure a saddle-type valve complies with your local plumbing codes.)

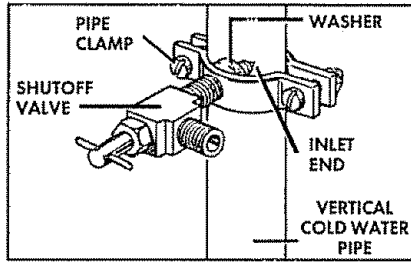
CAUTION: Do not install icemaker tubing in areas where temperatures fall below freezing.

1. Find a 3/8" (10 mm) to 1" (25 mm) vertical COLD water pipe near the refrigerator. When it is necessary to connect into a horizontal water pipe, make the connection to the top or side, rather than at the bottom to avoid drawing off any sediment from the water pipe.
2. Measure from INLET on rear of refrigerator to water pipe. Add 7' (2 m) to allow for moving refrigerator for cleaning. This is the length of 1/4" O.D. copper tubing you will need for the job (length from water valve to water pipe PLUS 7' [2 m]). Be sure both ends of copper tubing are cut square.

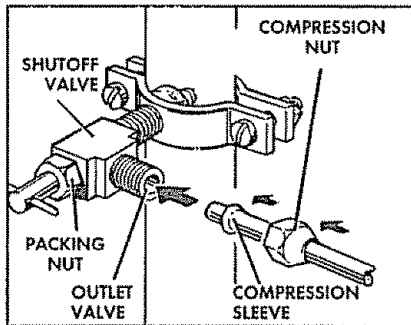
3. Turn OFF main water supply. Turn on nearest faucet long enough to clear line of water.

CAUTION: When using any electrical device (such as a power drill) to facilitate installation, be sure the device is insulated or wired in a manner to prevent the hazard of electrical shock.

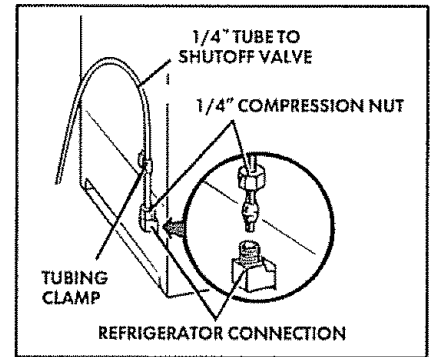
4. Using a grounded drill, drill a 3/16" hole in the vertical cold water pipe you have selected.



5. Fasten shutoff valve to cold water pipe with pipe clamp. Be sure inlet end is solidly in 3/16" drilled hole in water pipe and washer is under pipe clamp. Tighten packing nut. Tighten pipe clamp screws carefully and evenly so washer makes a watertight connection. Do not overtighten or you may crush copper tubing, especially if soft copper tubing is used. Now you are ready to connect the copper piping.



6. Slip compression sleeve and compression nut on copper tubing as shown above. Insert end of tubing into outlet end squarely as far as it will go. Screw compression nut to outlet end with adjustable wrench. Do not overtighten. Turn ON main water supply and flush out tubing until water is clear. Turn OFF shutoff valve on water pipe. You are now ready to connect other end of 1/4" copper tubing to water valve on back of refrigerator.



7. The water valve (supplied in the icemaker kit, if not already on your model) has a compression fitting protruding through the compressor compartment cover at the rear of the refrigerator. Assemble compression nut on compression fitting as shown above. Insert end of tubing into connector and tighten compression nut. Be sure end of tubing is square in connector and is inserted as far as it will go. Do not overtighten. Be sure there is enough extra tubing (coiled into three turns of about 10" (25 cm) diameter) to allow refrigerator to move out from wall after installation. Secure tubing in metal clamp at top right corner of compressor compartment cover.

8. Turn shutoff valve ON. TIGHTEN ANY CONNECTIONS OR NUTS THAT LEAK.

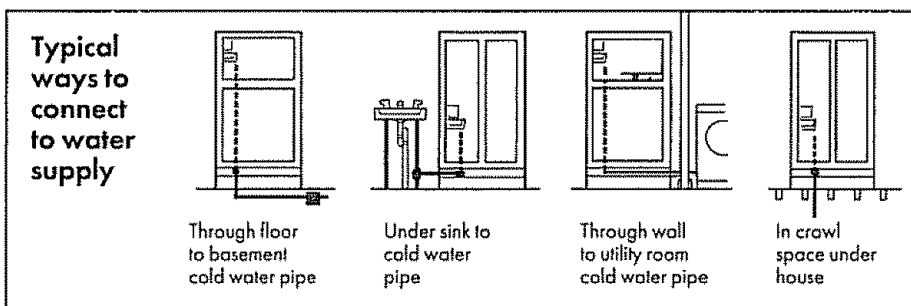
9. Copper tubing may now be fastened to baseboard.

10. Your ice cubes can only be as fresh-tasting as the water that produces them. That's why it is a good idea to purify the water with a water filter. The water filter is an optional part at extra cost and is available from the Sears Service Center. Order Filter No. 978488 and install at the inlet water tube connection.

11. Water Pressure Limitations: Not below (15 P.S.I.) or above (125 P.S.I.). If a problem occurs, call your Utility Company.

IMPORTANT: It may take up to 24 hours for your icemaker to begin producing ice.

The first few batches of ice cubes should be thrown away, so that remaining impurities in the water line will be flushed out.



Care and Cleaning

Outside

The door handles and trim can be cleaned with a cloth dampened with a solution of mild liquid dishwashing detergent and water. Dry with a soft cloth. Don't wax handles or trim.

Keep the finish clean. Wipe with a clean cloth lightly dampened with kitchen appliance wax or mild liquid dishwashing detergent. Dry and polish with a clean, soft cloth. Do not wipe the refrigerator with a soiled dishwashing cloth or wet towel. They may leave a residue that can harm the paint. Do not use scouring pads, powdered cleaners, bleach or cleaners containing bleach because these products can scratch and weaken the paint finish.

Protect the paint finish. The outside of the refrigerator has a high quality, baked-on paint finish. With proper care, it will stay new-looking and rust-free for years. Apply a coat of kitchen appliance wax when the refrigerator is new and then at least twice a year.

Inside

Clean the inside of the fresh food and freezer compartments at least once a year. Unplug the refrigerator before cleaning. If this is not practical, wring excess moisture out of sponge or cloth when cleaning around switches, lights or controls.

Use warm water and baking soda solution—about a tablespoon (15 ml) of baking soda to a quart (1 L) of water. This both cleans and neutralizes odors. Rinse thoroughly with water and wipe dry.

Other parts of the refrigerator—including door gaskets, vegetable drawers, ice trays and all plastic parts—can be cleaned the same way. Do not use cleansing powders or other abrasive cleaners. After cleaning door gaskets, apply a thin layer of petroleum jelly to the door gaskets at the hinge side. This helps keep the gaskets from sticking and bending out of shape.

Avoid cleaning cold glass shelves and cold glass storage drawer cover with hot water because the extreme temperature difference may cause them to break.

To help prevent odors, leave an open box of baking soda in the rear of the refrigerator, on the top shelf. Change the box every three months. An open box of baking soda in the freezer will absorb stale odors.

Do not wash any plastic parts from your refrigerator in your automatic dishwasher.

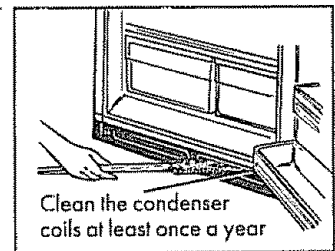
Behind Refrigerator

Care should be taken in moving your refrigerator away from the wall. All types of floor coverings can be damaged, particularly cushioned coverings and those with embossed surfaces. Pull the refrigerator straight out and return it to position by pushing it straight in. Moving your refrigerator in a side direction may result in damage to your floor covering or refrigerator.

When pushing the refrigerator back, make sure you don't roll over the power cord or icemaker supply line.

Under Refrigerator

The condenser is located behind the base grille. For most efficient operation, you need to keep the condenser clean. Turn temperature control to OFF. Remove the base grille. Sweep away or vacuum dust that is readily accessible on condenser coils, then turn the control back on. For best results, use a brush specially designed for this purpose. It is available at your Sears store or service center. This easy cleaning operation should be done at least once a year.



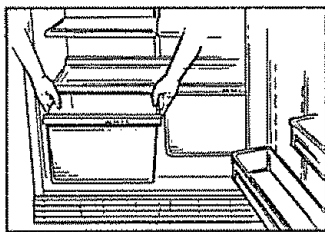
(continued next page)

Care and Cleaning (continued)

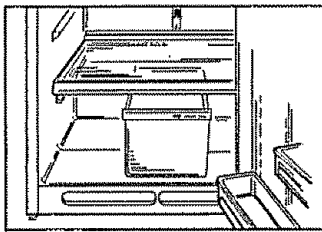
Storage Drawers

Drawers at the bottom of the fresh food compartment will stop before coming all the way out of the refrigerator to help prevent contents from spilling onto the floor. The drawers can be removed easily by lifting the sides up slightly while pulling the drawers past the "stop" location.

To remove the drawers and their cover when the fresh food compartment door cannot be opened fully:

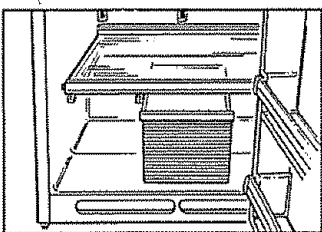


1. Remove the drawer farthest from the door.

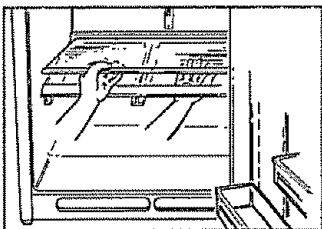


2. Remove the other drawer.

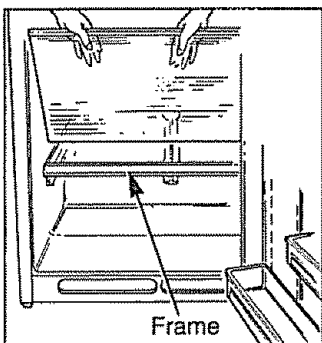
On models with a bottom door shelf that blocks the other drawer, slide the other drawer toward the middle and remove it.



3. Remove the glass cover. Reach in, push the front of the glass cover up and, at the same time, pull it forward as far as it will come. Tilt it and take it out.



4. Remove the drawer frame. (Always remove the glass cover before you take out the drawer frame.) Lift the frame off the supports at each side and back, pull it forward, tilt it and take it out.



To replace:

1. Lower the frame until it rests on the supports at each side and back.

2. Replace the drawers.

If you removed the drawer slide, replace it with the sloped end at the front.

a. Slide one side of the drawer onto the drawer slide.

b. Move the slide and drawer all the way to the hinge side until the other side of the drawer rests on the frame.

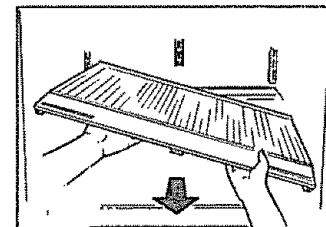
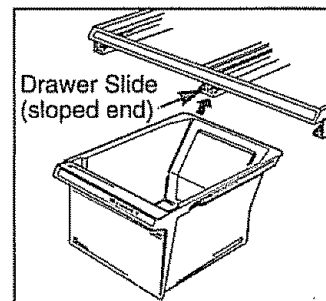
c. Slide the other drawer into place.

3. Replace the glass cover, pushing its rear edge firmly into the rear frame channel and gently lowering the front into place.

Drawers with plastic cover

To remove drawers, lift front up slightly and pull drawer straight out.

To remove cover, support it with one hand, tilt it and take it out.



Light Bulb Replacement

Unplug refrigerator before replacing a light bulb.

Fresh food compartment. An easily-accessible appliance bulb is located at the top of the fresh food compartment at front, center. Replace with same-size, same-type bulb.

Freezer compartment. On some models, an appliance bulb is located at the top right, rear of the freezer compartment, behind a snap-out light shield. Replace with same-size, same-type bulb.

When You Go On Vacation

For extended vacations or absences, shut off power to the refrigerator, turn the control to the OFF position and clean the interior with a baking soda solution of one tablespoon (15 ml) of baking soda to one quart (1 L) of water. Wipe dry. To prevent odors, leave an open box of baking soda in the refrigerator. Leave the doors open.

For shorter vacations, remove perishable foods and leave controls at their regular settings. However, if room temperature is expected to drop below 55°F. (13°C.), follow the same instructions as for extended vacations.

If your refrigerator has an icemaker, move the icemaker feeler arm to the STOP (up) position and be sure to shut off the water supply to the refrigerator.

When You Move

Disconnect the power cord from the wall outlet, remove all food, and clean and dry the interior.

Secure all loose items such as shelves and drawers by taping them securely in place to prevent damage.

Be sure the refrigerator stays *in an upright position* during actual moving and in the van. It must be secured in the van to prevent movement. Protect outside of refrigerator with a blanket.

Energy-Saving Tips

- Don't open the doors more often than necessary.
- Close the doors as soon as possible, particularly in hot, humid weather.
- Keep the Power Miser Switch in the left position unless moisture forms on the cabinet in hot, humid weather.
- Be sure the doors are closed tightly. Before leaving the house or retiring for the night, check to be sure the doors haven't been left open accidentally.
- Store only those foods requiring refrigeration in your refrigerator.
- Wipe moisture from bottles and cartons before putting them in the refrigerator.
- Keep foods covered to reduce moisture buildup inside the refrigerator.
- If you turn the controls to the coldest position for quick chilling or freezing, be sure to turn them back to regular settings.
- Don't overcrowd your refrigerator. Overcrowding can require extra electrical energy to keep everything cool.

Before You Call for Service

Save time and money. Check this list of causes of minor operating problems you can correct yourself.

Refrigerator does not operate

- May be in defrost cycle when motor does not operate for about 35 minutes.
- Temperature control in OFF position.
- If interior light is not on, refrigerator may not be plugged in at wall outlet.
- If plug is secure and refrigerator fails to operate, plug lamp or small appliance into same outlet to determine if there is tripped circuit breaker or burned out fuse.

Motor operates for long periods

- Modern refrigerators with more storage space and a larger freezer compartment require more operating time.
- Normal when refrigerator is first delivered to your home—usually requires 24 hours to completely cool down.
- Large amounts of food placed in refrigerator to be cooled or frozen.
- Hot weather—frequent door openings.
- Door left open.
- Temperature controls are set too cold.
- Condenser needs cleaning.
- Check ENERGY-SAVING TIPS

Motor starts & stops frequently

- Temperature control starts and stops motor to maintain even temperatures. This is normal.

Vibration or rattling

- If refrigerator vibrates, more than likely it is not resting solidly on the floor. The front roller screws need adjusting, or floor is weak or uneven.
- If dishes vibrate on shelves, try moving them. Slight vibration is normal.

Operating sounds

- The high speed compressor motor required to maintain near zero temperatures in the large freezer compartment may produce higher sound levels than your old refrigerator.
- Normal fan air flow—one fan blows cold air through the refrigerator and freezer compartments—another fan cools the compressor motor.
- These NORMAL sounds will also be heard from time to time:
 - Defrost timer switch clicks at defrost.
 - Defrost water dripping.
 - Temperature control clicks ON or OFF.
 - Refrigerant boiling or gurgling.
 - Cracking or popping of cooling coils caused by expansion and contraction during defrost and refrigeration following defrost.
 - Ice cubes dropping into the bin and water running in pipes as icemaker refills.

Hot air from bottom of refrigerator

- Normal air flow cooling motor. In the refrigeration process, it is normal that heat be expelled in the area under the refrigerator. Some floor coverings will discolor at these normal and safe operating temperatures. Your floor covering supplier should be consulted if you object to this discoloration.

Foods dry out

- Foods not covered, wrapped or sealed properly.

Fresh food or freezer compartment temperature too warm

- Temperature control not set cold enough.
- Warm weather—frequent door openings.
- Door left open for long time.
- Package may be holding door open or blocking air duct in freezer compartment.

Frost or ice crystals on frozen food

- Door may have been left ajar or package holding door open.
- Too frequent or too long door openings.
- Frost within package is normal.

Slow ice cube freezing

- Door may have been left ajar.
- Turn temperature of freezer compartment colder.

Ice cubes have odor/taste

- Old cubes need to be discarded. Empty ice bin every 30 days.
- Ice storage bin needs to be washed.
- Unsealed packages in refrigerator and/or freezer compartments may be transmitting odor/taste to ice cubes.
- Interior of refrigerator needs cleaning.

Automatic icemaker does not work

- Icemaker feeler arm in STOP (up) position.
- Water supply turned off or not connected.
- Freezer compartment too warm.
- Cubes too small—water shutoff valve connecting refrigerator to home water line may be clogged.
- Sometimes cubes fuse to the side of the ice mold and hold the feeler arm in the STOP (up) position. Remove this ice to restart the icemaker.
- Piled up cubes in storage bin may cause icemaker to shut off prematurely. With icemaker feeler arm in STOP (up) position, level cubes in bin by hand.
- When reaching for cubes by hand, you may have pushed the feeler arm into the STOP (up) position by mistake.

Moisture forms on outside of refrigerator

- Not unusual during periods of high humidity.
- Move Power Miser Switch to the right.

Moisture collects inside

- Too frequent or too long door openings.
- In humid weather, air carries moisture into refrigerator when doors are opened.

Refrigerator has odor

- Food with strong odors should be tightly covered.
- Check for spoiled food.
- Interior needs cleaning.
- Keep open box of baking soda in refrigerator; replace every three months.

Interior light does not work

- No power at outlet.
- Light bulb needs replacing.

Reversing Door Swing

Your refrigerator has reversible doors so the door opening can be changed to suit your particular needs. These instructions tell you how to change the hinges from the right side to the left side. If you ever want to change the hinges back to the right side, follow these same instructions—merely reverse all references to left and right.

- Read these instructions all the way through before you start.
- Handle parts carefully to avoid scratching paint.
- Set screws down by their related parts to avoid using them in the wrong places.
- Provide a non-scratching work surface for the doors.
- **CAUTION:** Do not let either door drop to the floor. To do so could damage the door stop.

Tools required

- T20 or T25 Torxdriver
- 3/8" socket and ratchet (a 6-point socket is recommended)
- Masking tape
- Phillips screwdriver
- Putty knife or thin-bladed screwdriver (end of tool should be covered with tape to help prevent scratching paint).

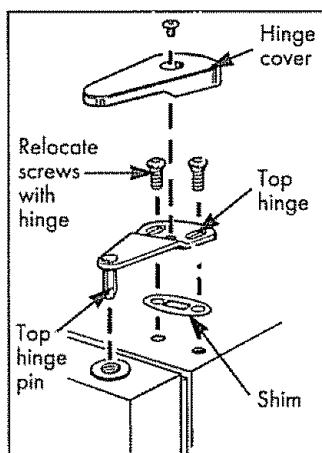
Removing the doors

Step 1—General

- Unplug refrigerator from its electrical outlet.
- Empty all door shelves, including handi-bin and butter bin.

Step 2—Removing the freezer door

- Tape door shut with masking tape.
- With Phillips screwdriver, remove hinge cover. With Torxdriver, remove 2 Torx screws that hold the top hinge to the cabinet.
- Lift hinge straight up to free the hinge pin from the socket in the top of the door.

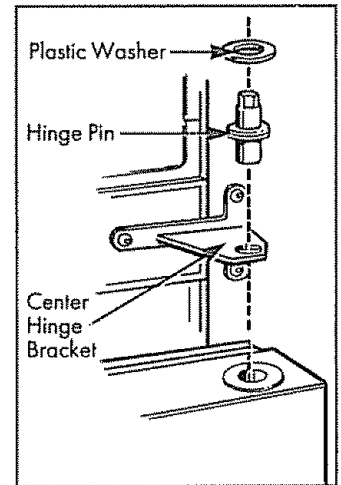


- Remove tape, tilt door away from cabinet and lift it to free its bottom socket from the hinge pin on the center hinge bracket.

- Set door outside up on a non-scratching surface.

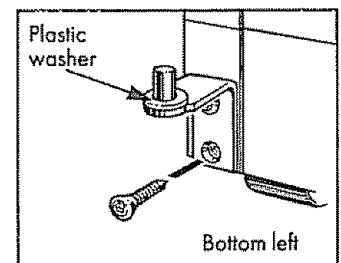
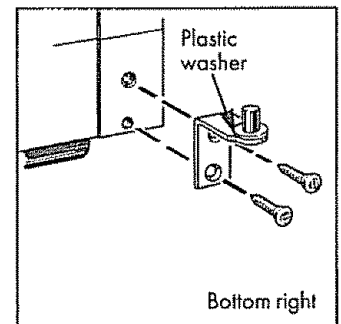
Step 3—Removing the fresh food door

- Tape door shut with masking tape.
- Remove the hinge pin with a 3/8" socket and ratchet.
- Remove tape and tilt the door away from the cabinet. Remove and save the washer on the hinge pin.
- Lift the door straight up to free its bottom socket from the pin in the bottom hinge bracket.

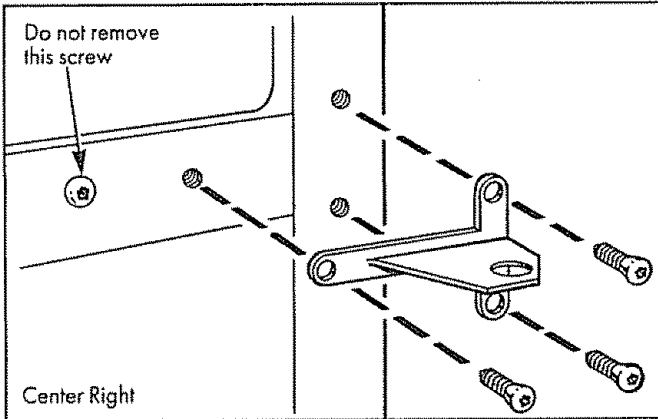


Transferring the bottom hinge

- Remove the base grille (see page 3). Grasp it at the bottom and pull it straight out.
- Using a Torxdriver, remove the hinge and plastic washer from the bottom right side of the cabinet.
- Reinstall the hinge and plastic washer to the bottom left side of the cabinet.

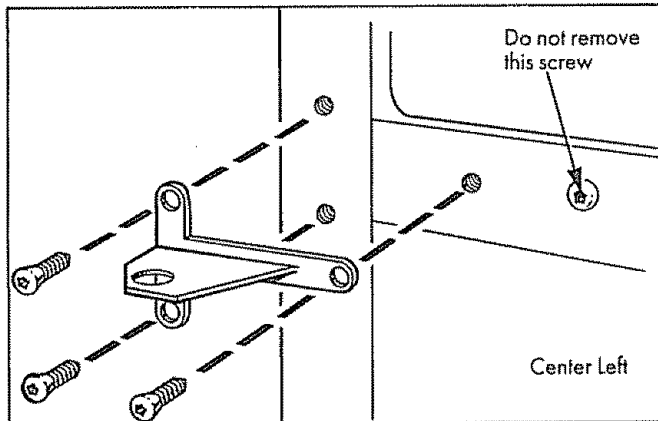


Transferring the center hinge bracket



(a) Remove the center hinge bracket by removing the three Torx screws. **NOTE:** Keep these screws with the hinge bracket. They are longer screws and will be used when installing the hinge on the other side.

(b) Remove the three Torx screws from the **center left** side of the cabinet. Screw them into the holes on the right side, which were uncovered in step (a) above.



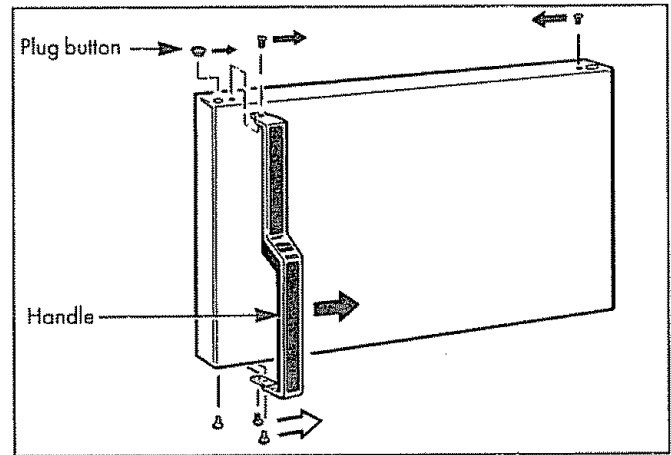
(c) Place the center hinge bracket over the holes at the center left side of the cabinet, insert the three screws that were removed with the center hinge bracket in step (a) and tighten them.

Transferring the top hinge

Interchange hinge and screws at top right with screws at top left of the cabinet. Do not tighten the screws on the hinge side at this time.

Transferring door handles

Freezer door



(a) Remove screw holding handle to top of door.

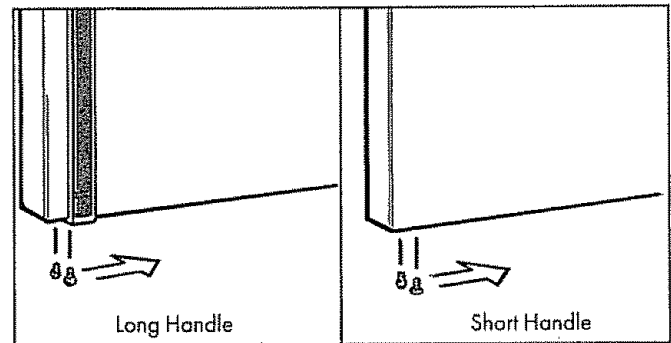
(b) Remove three screws holding handle to bottom of door.

(c) Transfer screw from handle hole in top right of door to opposite side.

(d) Transfer plug button in top left of door to opposite side.

(e) In reverse order, reassemble handle to right side of door using screws removed in Steps (a) and (b).

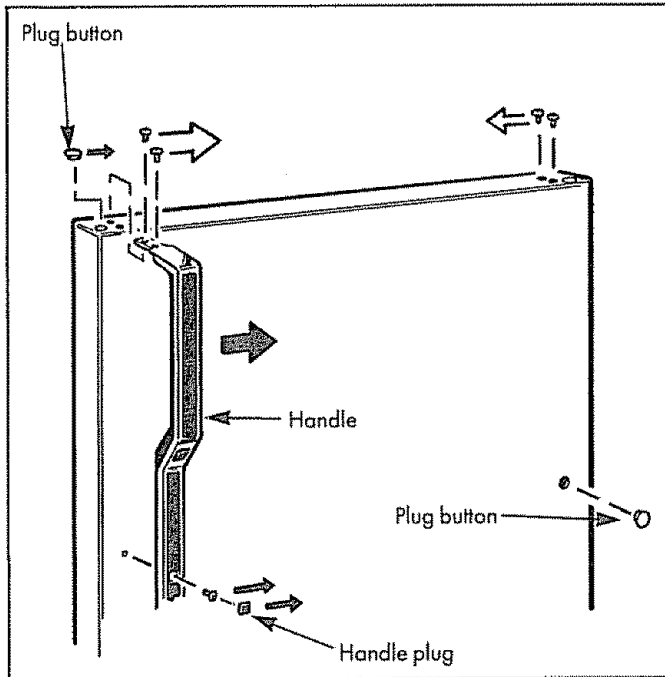
Fresh food door



(a) Transfer two screws in bottom left of door to opposite side. (Wait until handle is moved before reinstalling front screw.)

(continued next page)

Reversing Door Swing (continued)



(b) Remove two screws holding handle to top of door.

(c) Remove handle plug, using a taped putty knife, and remove screw underneath.

(d) Remove handle.

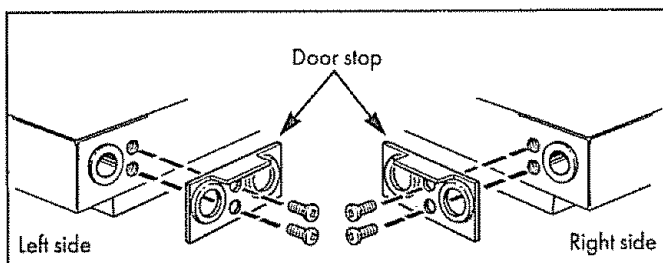
(e) Transfer two screws from handle holes in top right of door to opposite side.

(f) Transfer plug button in top left of door to opposite side.

(g) Transfer plug button on right front of door to handle hole vacated by removal of screw under handle plug.

(h) Reassemble handle to right side of door. Use front screw removed in Step (a) to attach handle to bottom of door.

Transferring doorstops



(a) Remove metal doorstop on bottom right of each door.

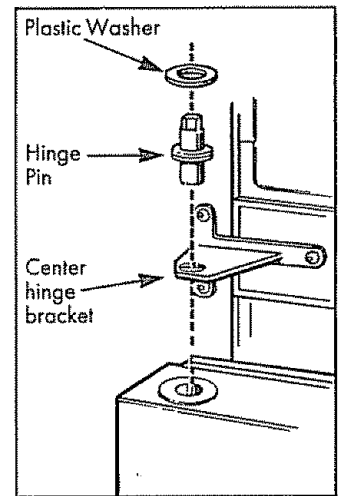
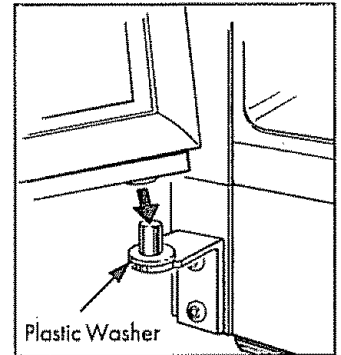
(b) Replace door stops on left side after handles have been moved.

Rehanging the fresh food door

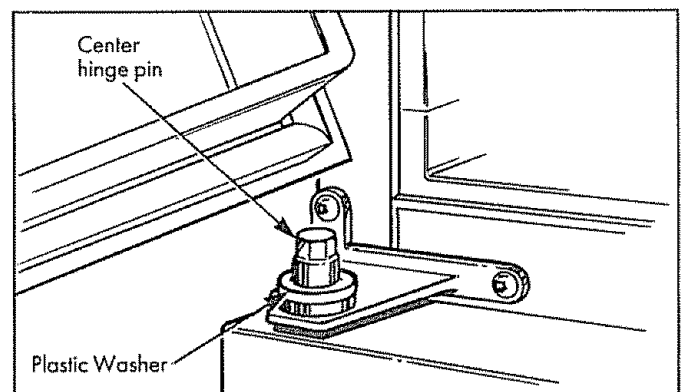
(a) Lower the bottom socket of the fresh food door onto the pin on the bottom hinge. Be sure the washer is in place on the pin.

(b) Tilt the door towards the cabinet and gently push the door under the center hinge bracket and align with the hole in the center hinge bracket.

(c) Reinstall the hinge pin with a 3/8" socket and ratchet so it extends through the hole in the center hinge bracket and into the socket on top of the fresh food door.



Rehanging the freezer door



(a) Lower the bottom socket of the freezer door onto the center hinge pin. Be sure the washer is in place.

(b) Tilt the door towards the cabinet, lifting the top hinge so the pin fits into the socket on top of the door.

(c) Tighten the top hinge screws after supporting the door on the handle side and aligning so the gap between the doors is even all across the front.

(d) Replace the hinge cover.

SEARS

Manuel d'utilisation des réfrigérateurs Kenmore

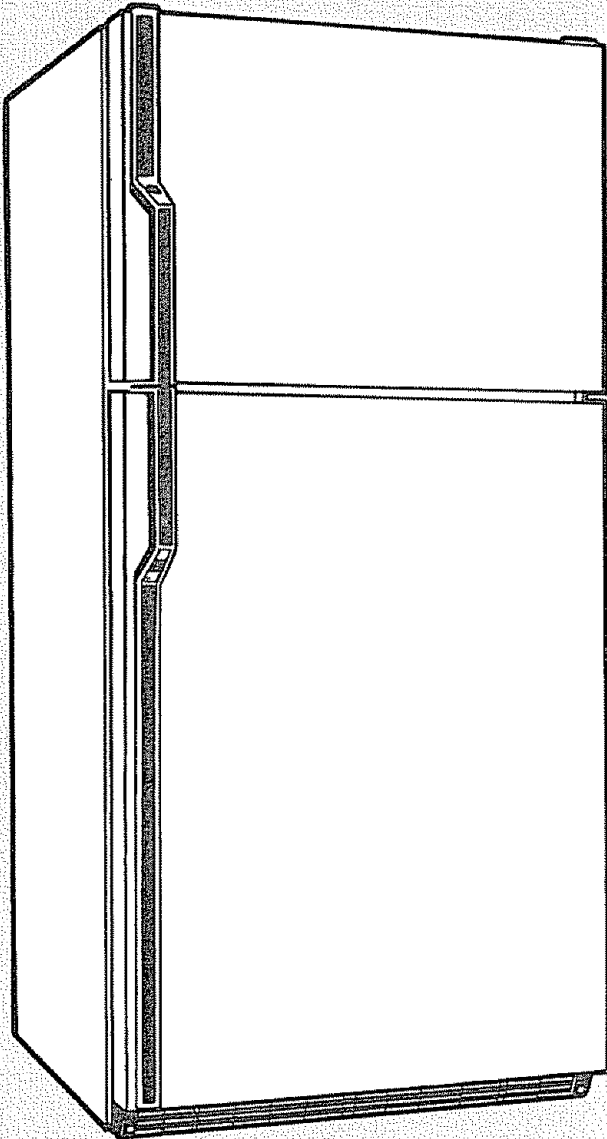


Table des matières

- Avant d'appeler le service de réparation32, 33
- Caractéristiques26
- Commandes de température22
- Conseils de sécurité importants.....20
- Conservation des aliments.....22, 23
- Entretien et nettoyage29, 30
- Fonctionnement du réfrigérateur21, 22
- Inversion de l'ouverture des portes.....34-36
- Service de glaçons.....27, 28
- Mise à la terre20, 21
- Précautions à prendre lors du déménagement
et pendant les vacances31
- Quelques conseils pour économiser l'énergie.....32

Votre ancien réfrigérateur a un système de refroidissement qui a utilisé les CFC (chlorofluorocarbones). Les CFC sont jugés nocifs pour l'ozone stratosphérique.

Si vous vous débarrassez de votre ancien réfrigérateur, assurez-vous que le frigorigène avec CFC soit enlevé correctement par un technicien qualifié. Si vous libérez intentionnellement ce frigorigène avec CFC vous pouvez être soumis aux contraventions et à l'emprisonnement sous provisions du Clean Air Act fédéral.

Veillez inscrire les numéros de modèle et de série et la date d'achat de votre réfrigérateur Kenmore ci-dessous. Voyez la page 26 pour l'emplacement des numéros de modèle et de série.

Numéro de modèle

Numéro de série

Date d'achat

SEARS, ROEBUCK AND CO., Hoffman Estates, IL 60179 USA

Modèles sans givre à congélateur supérieur, de 18-25 pi³
Quelques modèles sont dotés d'une Machine à glaçons
automatique. D'autres modèles sont équipés pour l'installation
ultérieure d'une Machine à glaçons automatique.

CONSEILS DE SÉCURITÉ IMPORTANTS

Veillez lire toutes les instructions avant d'utiliser cet appareil.

AVERTISSEMENT—Lorsque vous utilisez le réfrigérateur, observez toujours certaines précautions de base, notamment:

- **N'utilisez le réfrigérateur que pour son usage prévu**, comme décrit dans le Manuel d'utilisation.
- **Ce réfrigérateur doit être installé conformément aux instructions de note à l'installateur avant de l'utiliser.** Voyez la mise à la terre ci-dessous et à la page 21.
- **Ne débranchez jamais le réfrigérateur en tirant sur le cordon d'alimentation.** Saisissez fermement la fiche du cordon et tirez droit pour la retirer de la prise.
- **Réparez ou remplacez immédiatement tout cordon effiloché ou endommagé.** N'utilisez pas un cordon fendillé ou présentant des signes d'usure sur la longueur ou aux extrémités.
- **Lorsque vous éloignez le réfrigérateur du mur, prenez garde de ne pas le faire rouler sur le cordon d'alimentation:** vous pourriez l'endommager.
- **Une fois le réfrigérateur en marche, ne touchez pas les surfaces froides du congélateur, surtout si vous avez les mains humides:** la peau risque d'adhérer à ces surfaces très froides.
- **Si votre réfrigérateur a une machine automatique à glaçons, ne mettez pas vos doigts ou vos mains sur le mécanisme automatique de la machine à glaçons pendant que le réfrigérateur est branché.** Ceci aidera à vous protéger des blessures. Aussi ceci empêchera l'obstruction des pièces mobiles du mécanisme éjecteur, ou avec l'élément de chauffage qui libère les glaçons.
- **N'entrez pas et n'utilisez pas d'essence ou autres vapeurs et liquides inflammables à proximité de cet appareil ou de tout autre appareil électroménager.**
- **Ne laissez pas les enfants grimper, s'asseoir, se tenir debout ou se pendre aux clayettes du réfrigérateur.** Ils pourraient endommager le réfrigérateur et se blesser gravement.

• **Ne recongelez pas les aliments surgelés qui ont complètement dégelé.** Selon les experts en alimentation:

"...Il n'y a pas de danger à recongeler les aliments partiellement décongelés s'ils renferment encore des cristaux de glace ou si leur température n'a pas encore dépassé 4 °C. (40 °F.)

"...Les viandes hachées, la volaille ou le poisson dégelés dont l'odeur ou la couleur sont suspectes ne doivent être ni recongelés ni consommés. Les crèmes glacées décongelées doivent être jetées. Si l'odeur ou l'aspect d'un aliment vous semble anormal, jetez-le: sa consommation pourrait être dangereuse.

"Même une décongélation partielle suivie d'une recongélation peut altérer la qualité des aliments, surtout celle des fruits, légumes et plats cuisinés. Les viandes rouges sont moins susceptibles d'être altérées que la plupart des autres aliments. Consommez les aliments recongelés dans les plus brefs délais pour préserver au maximum leur qualité alimentaire."

• **Si vous avez gardé votre ancien réfrigérateur mais que vous ne vous en servez pas, ayez soin de démonter les portes** pour réduire la possibilité de danger aux enfants.

• **Débranchez votre réfrigérateur avant de le nettoyer et de le réparer. REMARQUE:** nous vous recommandons vivement de confier toute réparation à un technicien qualifié.

• **Avant de remplacer une ampoule grillée,** le réfrigérateur doit être débranché ou l'alimentation électrique doit être coupée au disjoncteur ou à la boîte à fusibles pour éviter tout contact avec un fil sous tension. (Une ampoule grillée peut se briser pendant l'opération.) **REMARQUE:** quand vous placez la commande sur "OFF" (éteint), l'alimentation électrique de l'ampoule n'est pas coupée.

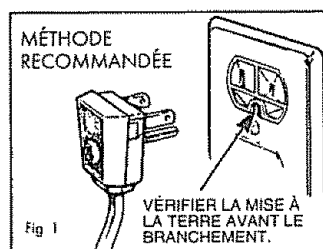
CONSERVEZ CES INSTRUCTIONS

Mise à la terre Important—Veillez lire attentivement.

Pour brancher l'électricité

Pour votre propre sécurité, cet appareil doit être correctement mis à la terre.

Le cordon d'alimentation de cet appareil est équipé d'une fiche à 3 broches (mise à la terre) qui se branche dans une prise murale ordinaire à 3 trous (Fig. 1) pour limiter les risques de décharges électriques.



Faites examiner la prise murale et le circuit par un électricien qualifié pour vérifier que la prise est correctement mise à la terre.

Si la prise murale est du type bipolaire standard, vous êtes personnellement responsable de son remplacement par une prise à 3 trous correctement mise à la terre

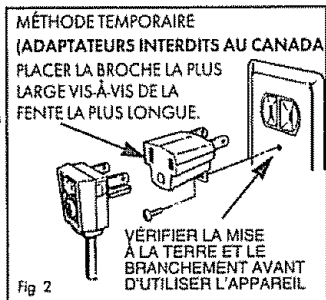
NE COUPEZ NI RETIREZ EN AUCUN CAS LA TROISIÈME BROCHE (MISE À LA TERRE) DE LA FICHE DU CORDON D'ALIMENTATION.

Fonctionnement du réfrigérateur

Utilisation d'un adaptateur

En raison des risques qu'elle présente dans certaines conditions, nous déconseillons fortement l'utilisation d'un adaptateur. Toutefois, si vous décidez d'utiliser un adaptateur, et que les codes locaux le permettent, vous pouvez effectuer un RACCORDEMENT TEMPORAIRE à l'aide d'un adaptateur homologué UL, branché dans une prise murale à deux trous mise à la terre (Fig. 2). Vous pouvez vous procurer cet adaptateur chez votre quincaillier.

La fente la plus longue de l'adaptateur doit être placée vis-à-vis de la fente la plus longue de la prise afin d'assurer la polarité adéquate pour le branchement du cordon d'alimentation.



ATTENTION: Le fait de fixer la cosse de terre de l'adaptateur à la vis de la prise n'assure pas la mise à la terre de l'électroménager, à moins que cette vis soit en métal, qu'elle ne soit pas isolée, et que la prise de courant soit adéquatement mise à la terre. Faites vérifier la prise par un électricien qualifié pour vous assurer que la prise est adéquatement mise à la terre.

Lorsque vous débranchez le cordon d'alimentation de l'adaptateur, tenez toujours l'adaptateur en place d'une main en tirant le cordon d'alimentation avec l'autre, sinon, la cosse de terre de l'adaptateur risque de se casser à la longue.

Si la cosse de terre de l'adaptateur casse, **N'UTILISEZ PAS l'appareil tant qu'il n'aura pas été adéquatement mis à la terre.**

Utilisation de cordons prolongateurs

Nous recommandons instamment de ne pas utiliser de cordons prolongateurs à cause des risques potentiels qu'ils présentent dans certaines conditions. Si toutefois vous décidez d'utiliser un cordon prolongateur, il est absolument nécessaire qu'il soit à 3 fils avec mise à la terre pour appareils électroménagers certifié par l'ACNOR, équipé d'une fiche et d'une prise mise à la terre de 15 ampères (au minimum) et 120 volts.

Spécifications électriques

Le réfrigérateur doit toujours être branché dans sa propre prise de courant, dont la tension nominale correspond à celle indiquée sur la plaque signalétique.

Cette précaution est recommandée pour garantir un rendement optimum et éviter de surcharger les circuits électriques de l'habitation, ce qui pourrait créer un risque d'incendie par surchauffe des fils.

Emplacement du réfrigérateur

- N'installez pas le réfrigérateur à un endroit où la température ambiante descendra au-dessous de 16 °C (60 °F) parce qu'il ne se mettra pas en marche suffisamment souvent pour maintenir les températures convenables.
- Installez le réfrigérateur sur un sol suffisamment solide pour le soutenir lorsqu'il est plein.
- Pour abaisser les frais d'électricité, évitez de placer le réfrigérateur près de votre cuisinière ou d'une bouche de chauffage.

Dégagements

Pour faciliter l'installation, assurer une bonne ventilation et permettre l'accès aux prises d'eau et d'électricité, dégagez les espaces suivants:

Côtés	3/4" (19 mm)
Dessus	1" (25 mm)
Arrière	1" (25 mm)

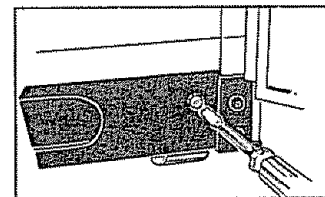
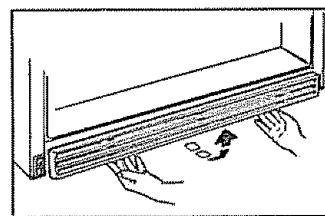
Pour les modèles avec portes de profondeur, laissez 1 1/2" (44 mm) de jeu pour l'ouverture de la porte si le modèle doit être installé contre un mur sur le côté de la charnière.

Mise de niveau

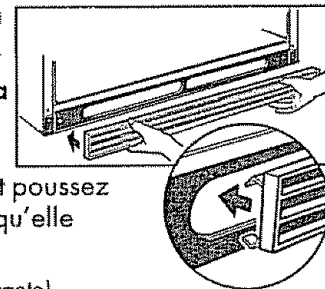
Les roulettes réglables derrière la grille inférieure vous permettent d'écarter le réfrigérateur du mur pour le nettoyer. Les roulettes doivent être réglées pour que le réfrigérateur soit fermement positionné sur le sol et que l'avant soit levé juste assez pour que les portes ferment facilement lorsqu'elles sont à demi-ouvertes.

Pour régler les roulettes:

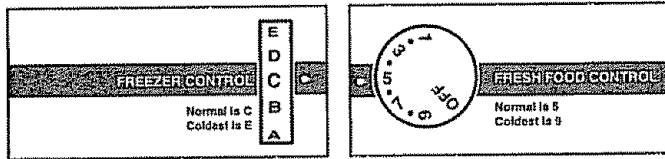
- Retirez la grille inférieure en tenant le bas de la grille et en la tirant.
- Tournez les deux vis de réglage de roulette avant dans le **sens des aiguilles** d'une montre pour lever le réfrigérateur, dans le **sens inverse pour l'abaisser**. Utilisez un tournevis à lame. Les deux portes doivent se fermer correctement quand l'extérieur du fond avant du cabinet du réfrigérateur est à peu près 3/4" (19 mm) du sol.



- **Pour remettre en place la grille inférieure**, alignez les ergots sur la grille avec les ouvertures du réfrigérateur et poussez la grille en avant jusqu'à ce qu'elle s'emboîte en place.



Fonctionnement du réfrigérateur (suite)



Commandes de température

Votre réfrigérateur comporte deux commandes qui permettent de régler la température des compartiments réfrigérateur et congélateur.

Le réglage initial recommandé de la commande du compartiment congélateur est "C" et celui du réfrigérateur est "5."

Lorsque vous réglez ces commandes pour la première fois, ou lorsque vous modifiez les réglages par la suite, laissez la température se stabiliser pendant 24 heures. Par la suite, si vous désirez que la température soit plus ou moins froide dans l'un ou l'autre des compartiments, réglez les commandes d'une lettre ou d'un numéro à la fois.

REMARQUE: Si vous tournez la commande du compartiment réfrigérateur à OFF (éteint), la réfrigération s'arrête dans les deux compartiments—réfrigérateur et congélateur—mais l'alimentation électrique du réfrigérateur n'est pas coupée.

Comment vérifier la température:

Pour le compartiment réfrigérateur, placez un récipient de lait sur la clayette supérieure. Le lendemain, goûtez au lait: s'il est trop chaud ou trop froid, corrigez la température en conséquence.

Pour le compartiment congélateur, placez un récipient de crème glacée au centre du compartiment. Le lendemain, vérifiez la crème glacée: si elle est trop dure ou trop molle, corrigez le réglage en conséquence.

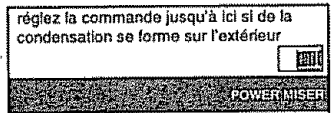
Abaissez-vous le thermostat de votre maison à 60 °F. (16 °C.) la nuit? Abaissez d'une position le réglage de la commande du compartiment congélateur, par exemple de "C" à "D" car la température plus basse de la maison aura pour effet de faire fonctionner moins fréquemment le compresseur, entraînant du même coup un "réchauffement" du compartiment congélateur.

Pour protéger vos aliments congelés, laissez la commande de votre compartiment congélateur à ce nouveau réglage, plus bas, pendant tout l'hiver ou tant que vous abaissez la température de votre maison.

Le fait d'abaisser le réglage de la commande du compartiment congélateur n'affecte aucunement la température du compartiment réfrigérateur. Toutefois, si les aliments gèlent, augmentez d'un cran la commande du compartiment réfrigérateur par exemple de "5" à "4." Lorsque vous cesserez de régler le thermostat de la maison à une température plus basse la nuit, ramenez les commandes de température du réfrigérateur à leurs réglages habituels.

Interrupteur Power Miser

Il est situé sur le panneau de la commande de température.



Pour réaliser des économies d'énergie,

poussez cet interrupteur à gauche. Ce réglage arrête le fonctionnement des éléments chauffants qui empêchent la formation de condensation sur l'extérieur du réfrigérateur.

Si de la condensation se forme sur l'extérieur du réfrigérateur, basculez l'interrupteur Power Miser à droite. Le courant alimente les éléments chauffants de faible puissance qui réchauffent l'extérieur du réfrigérateur et qui, dans la plupart des conditions, empêchent la formation d'humidité ou de gouttelettes de condensation.

Conservation des aliments

Conseils sur la réfrigération

Pour réfrigérer de la viande, du poisson et de la volaille non congelés :

- Enlevez toujours l'emballage d'origine.
- Enveloppez de papier aluminium, de papier ciré ou de pellicule plastique et réfrigérez immédiatement.

Pour réfrigérer le fromage, enveloppez-le bien dans du papier ciré ou du papier aluminium, ou mettez-le dans un sac de plastique.

- Enveloppez serré afin de chasser le plus possible l'air et de prévenir la moisissure.
- Vous pouvez conserver le fromage préemballé dans son emballage d'origine.

Pour réfrigérer les légumes, placez-les dans les bacs à légumes—ceux-ci sont conçus spécialement pour retenir l'humidité et la fraîcheur naturelle des légumes

- Couvrez les légumes avec un essuie-tout humide afin qu'ils demeurent croquants.
- Les légumes préemballés se conservent mieux dans leur emballage d'origine.

Périodes de conservation suggérées

La qualité des aliments diminue après la période indiquée	RÉFRIGÉRATION	CONGÉLATION
	35 à 40 °F. (2 à 4 °C.) Nbre de jours	0 °F. (-18 °C.) Nbre de mois
Viande fraîche		
Rôtis (boeuf et agneau)	3 à 5	6 à 12
Rôtis (porc et veau)	3 à 5	4 à 8
Biftecks (boeuf)	3 à 5	6 à 12
Côtelettes (agneau)	3 à 5	6 à 9
Côtelettes (porc)	3 à 5	3 à 4
Viande hachée et à ragoût	1 à 2	3 à 4
Abats comestibles	1 à 2	3 à 4
Saucisses (porc)	1 à 2	1 à 2
Viande préparée		
Bacon	7	1
Saucisses fumées	7	1/2
Jambon (entier)	7	1 à 2
Jambon (demi)	3 à 5	1 à 2
Jambon (tranches)	3	1 à 2
Pain de viande préparé	3 à 5	Congélation
Saucisson (fumé)	7	non
Saucisson (sec et demi-sec)	14 à 21	recommandée
Viande cuite		
Viande cuite et plats à		
base de viande	3 à 4	2 à 3
Sauces et bouillons	1 à 2	2 à 3
Volaille fraîche		
Poulet et dinde (entiers)	1 à 2	12
Poulet (morceaux)	1 à 2	9
Dinde (morceaux)	1 à 2	6
Canard et oie (entiers)	1 à 2	6
Abattis	1 à 2	3
Volaille cuite		
Morceaux (dans du bouillon)	1 à 2	6
Morceaux (sans bouillon)	3 à 4	1
Plats à base de		
volaille cuite	3 à 4	4 à 6
Poulet frit	3 à 4	4
(Autres aliments)		
		CONGÉLATION
La plupart des fruits et légumes		8-12 mois
Poisson maigre		6-8 mois
Poisson gras, pains et brioches, soupes, ragoûts, casseroles		2-3 mois
Gâteaux, tartes, sandwiches, restes (cuits), crème glacée (emballage d'origine)		1 mois max.

La qualité et la fraîcheur de la viande, du poisson ou de la volaille achetés à l'épicerie varient; le délai de conservation dans votre réfrigérateur varie donc en conséquence. Pour d'autres renseignements sur la conservation de la viande et de la volaille, veuillez appeler le Ministère de l'Agriculture des États-Unis au 800-535-4555.

De nouvelles techniques sont constamment mises au point. Renseignez-vous auprès des services d'appoint de votre région ou de votre fournisseur d'électricité pour recevoir l'information la plus récente sur la conservation et la congélation des aliments.

Conseils pour la congélation

1. Ne congelez que des aliments de première qualité. La congélation permet de conserver la qualité et la saveur, mais elle ne les améliore pas.

2. Congelez rapidement les fruits et les légumes après leur cueillette. Plus ils sont congelés rapidement, plus leur qualité est élevée, sans compter que vous n'aurez pas à faire un deuxième tri.

3. Utilisez des produits d'emballage conçus spécialement pour la congélation.

Pour conserver la crème glacée—La crème glacée de qualité, à forte teneur en crème, exige habituellement une température plus froide que les crèmes glacées légères qui renferment moins de crème.

Seule l'expérience vous permettra de connaître avec précision le réglage de température et l'emplacement dans le compartiment congélateur appropriés pour conserver la crème glacée à la température de service désirée. La température est légèrement plus basse à l'arrière du compartiment congélateur qu'à l'avant.

Pour congeler de la viande, du poisson et de la volaille, emballez-les dans du papier d'aluminium pour la congélation (ou tout autre matériau d'emballage résistant) de façon que le papier épouse soigneusement la forme de l'aliment pour chasser le plus d'air possible. Repliez et scellez les extrémités de l'emballage pour obtenir un joint hermétique durable. Ne recongelez jamais de la viande crue qui a complètement dégelé. Quelle soit crue ou cuite, la viande ne peut être congelée qu'une seule fois.

Pour plus de commodité...

- Rangez les aliments similaires ensemble. Vous gagnerez ainsi du temps et économiserez de l'électricité car vous pourrez trouver plus facilement les aliments que vous cherchez.

- Placez les aliments les plus « anciens » à l'avant, de façon à les consommer en premier. Rangez dans les balconnets de porte les aliments les plus souvent utilisés.

Pour économiser de l'argent et de l'énergie...

- Couvrez les aliments à forte teneur en humidité au moyen d'un couvercle étanche, d'une pellicule de plastique ou de papier d'aluminium.

- Les légumes à feuilles et les fruits se conserveront plus longtemps dans les bacs lorsqu'ils sont dans des contenants de plastique étanches ou enveloppés dans une pellicule de plastique.

- Ne rangez pas d'un seul coup dans votre compartiment réfrigérateur ou congélateur une grande quantité d'aliments non réfrigérés.

- Ouvrez les portes le moins souvent possible afin d'économiser de l'électricité.

- Si vous devez vous absenter pendant plusieurs jours, laissez le moins d'aliments périssables possible dans le réfrigérateur. Si votre appareil est doté d'une machine à glaçons automatique, relevez le bras régulateur de la machine à glaçons à la position STOP (ARRÊT—relevé) et fermez le robinet d'alimentation en eau du réfrigérateur.

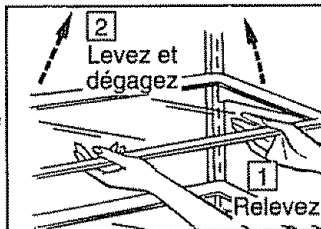
Clayettes et bacs

Clayettes réglables

Les clayettes des compartiments réfrigérateur et congélateur sont réglables, et vous permettent de les disposer de façon à profiter au maximum de l'espace de rangement.

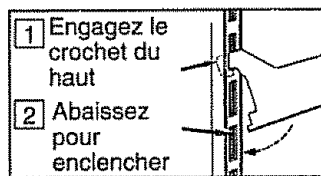
Pour enlever une clayette:

Basculez-la vers le haut par l'avant, puis soulevez l'arrière et tirez sur la clayette pour la dégager des crémaillères de la paroi arrière du compartiment.



Pour réinstaller une clayette:

Après avoir choisi la hauteur voulue, inclinez légèrement la clayette vers l'arrière, introduisez les crochets du dessus dans les crémaillères situées à l'arrière du compartiment, puis abaissez l'avant de la clayette jusqu'à ce que celle-ci s'enclenche. Les clayettes métalliques (sur certains modèles) se règlent de la même manière.



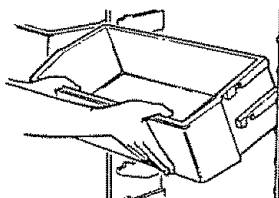
Clayettes de la porte (sur certains modèles)

Les clayettes de la porte permettent de garder à portée de la main les articles fréquemment utilisés.

Balconnets réglables

(sur certains modèles)

Les balconnets réglables sur les portes du réfrigérateur et du congélateur peuvent facilement être transportés du réfrigérateur à votre plan de travail.



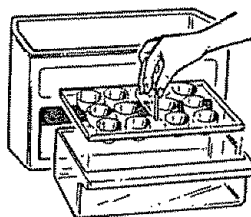
Pour les retirer: Glissez les balconnets en avant sur les supports moulés jusqu'à ce qu'ils sortent complètement de la porte.

Pour les repositionner ou les déplacer: Sélectionnez la hauteur désirée, engagez les balconnets dans les supports moulés de la porte et glissez-les. Les balconnets se bloquent en place.

Balconnet à oeufs/charcuterie

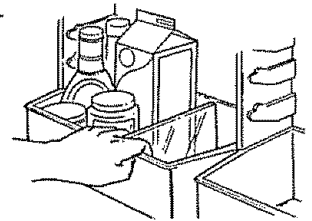
(sur certains modèles)

Ce balconnet est bon pour garder les oeufs ou la charcuterie.



Séparateurs (sur certains modèles)

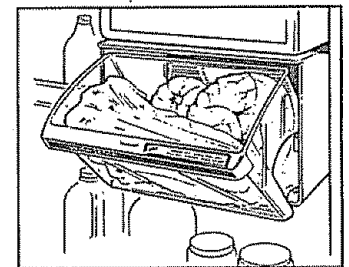
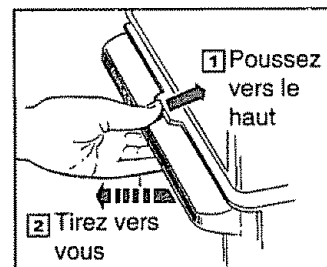
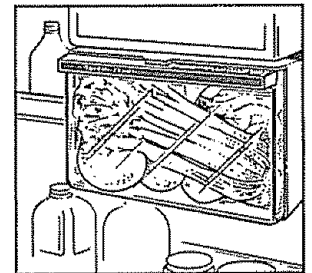
Des séparateurs sont prévus pour vous donner de la souplesse de stockage dans votre balconnet et sur les clayettes de la porte du réfrigérateur. Les articles comme les assaisonnements de salade, les sauces de viande et autres condiments peuvent désormais être bien gardés dans la porte pour éviter qu'ils ne basculent, ne se renversent ou ne glissent.



Placez l'index et le majeur de chaque côté du séparateur près de l'avant et déplacez-le simplement en fonction de vos besoins.

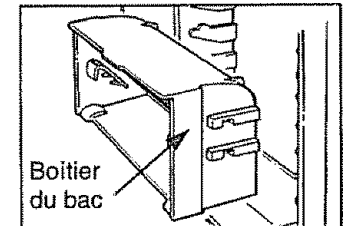
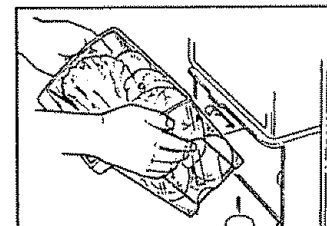
Bac de rangement (sur certains modèles)

Ce bac basculant amovible peut être placé soit sur la porte du compartiment réfrigérateur, soit sur celle du compartiment congélateur. Il peut servir au rangement d'articles fréquemment utilisés, difficiles à placer dans un balconnet, ou de produits à utiliser dans un court délai et qui ont besoin d'être protégés pour ne pas sécher.



Pour ouvrir, poussez le loquet et tirez la poignée.

Pour éviter d'endommager le réfrigérateur, assurez-vous que ce bac est bien fermé et enclenché avant de refermer la porte.

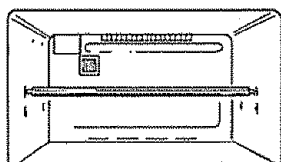


Pour retirer le bac, soulevez-le et sortez-le de son boîtier.

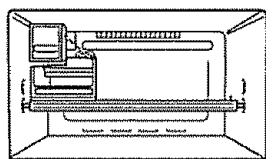
Pour remettre le casier en place, soulevez le boîtier du bac et dégagez-le des supports moulés, déplacez-le à l'endroit voulu et déposez-le sur les supports moulés. Pour déplacer le boîtier, il n'est pas nécessaire de retirer le bac.

Clayette de congélateur à deux hauteurs (sur certains modèles)

Pour repositionner la clayette de congélateur à deux hauteurs, soulevez-la légèrement et tirez-la de côté pour dégager les extrémités de la clayette des trous dans les parois. Inclinez légèrement la clayette et sortez-la. Pour remettre la clayette en place, insérez d'abord une extrémité, et ensuite l'autre.



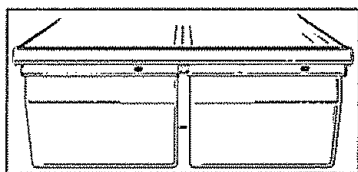
Dans les modèles sans machine à glaçons, la clayette peut être installée à n'importe quelle hauteur.



Dans les modèles dotés d'une machine à glaçons, la clayette doit être installée à la hauteur la plus basse.

Bac hermétique (sur certains modèles)

Ce bac a été conçu pour préserver la fraîcheur des aliments déballés; il retiendra toute l'eau que contiennent naturellement des légumes, comme les :



- | | | | |
|--------------------------|-------------------------------|--------------|-----------------|
| · Artichauts | · Céleri | · Maïs | · Épinards |
| · Asperges | · Cerises | · Persil | · Tomates mûres |
| · Betteraves, sans queue | · Groseilles | · Petit-pois | |
| · Bleuets | · Légumes verts avec feuilles | · Prunes | |
| · Carottes | · Laitue | · Radis | |
| | | · Rhubarbe | |

Normalement, on recommande d'envelopper les aliments ayant une odeur forte, tels que :

- | | | | |
|----------------------|-----------|-----------------|----------|
| · Choux de Bruxelles | · Brocoli | · Choux-fleurs | · Panais |
| | · Choux | · Oignons verts | · Navets |

Plats pratiques (sur certains modèles)

Ces récipients pratiques de cuisson-service-conservation à couvercles durables et transparents se rangent sur un support sous la clayette.

On peut les retirer et les remettre en place selon les besoins, et le support et la clayette à laquelle il est fixé peuvent être placés n'importe où dans le réfrigérateur.

Les récipients et leurs couvercles peuvent être utilisés dans le four à micro-ondes, le réfrigérateur, le congélateur et le lave-vaisselle. Ne les utilisez pas pour cuire des aliments à haute teneur en graisse, comme le bacon, ou ceux qui contiennent beaucoup de sucre, comme les bonbons et les sirops. Les hautes températures des graisses et des sucres risquent de provoquer la formation de bulles à l'intérieur du récipient.

ATTENTION : Ces récipients et leurs couvercles ne sont pas conçus pour être utilisés dans un four standard, sur une cuisinière ou dans une rôtissoire. Une telle utilisation peut être dangereuse.

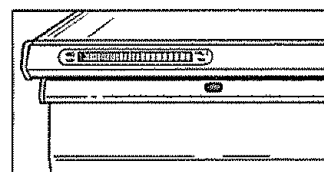
Bac frais (sur certains modèles)

Ce bac a été conçu pour la conservation d'aliments dont le milieu ambiant doit être moins humide :

- | | | | |
|---------------|--------------|-----------------|--------------|
| · Pommes | · Nectarines | · Framboises | · Fraises |
| · Abricots | · Oranges | · Courges d'été | · Mandarines |
| · Raisins | · Pêches | | |
| · Champignons | · Poires | | |

Bacs à humidité (sur certains modèles)

Ces bacs sont munis de commandes individuelles permettant de régler leur taux d'humidité en régularisant la quantité d'air froid qui y entre.



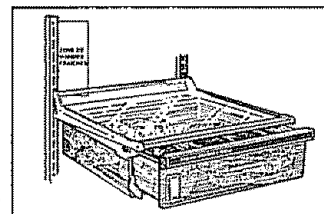
Glissez le curseur jusqu'au réglage **VEG** et le bac fournira un **taux d'humidité élevé**, recommandé pour la plupart des légumes.

Glissez le curseur jusqu'au réglage **FRUITS** et le bac fournira un **taux d'humidité faible**, recommandé pour la plupart des fruits.

Bac à viande à température réglable (sur certains modèles)

Ce bac est conçu pour la charcuterie, les collations, le fromage, le bacon et les tartinades, de même que pour entreposer temporairement les viandes fraîches que vous ne voulez pas congeler. Vous pouvez le sortir et l'amener sur la surface de préparation des aliments. Par la suite, le bac et sa tablette peuvent être reposés à n'importe quelle hauteur dans le réfrigérateur, en fonction de vos besoins.

Lorsque les crochets du bac à viande sont insérés dans l'une des six fentes du haut de la crémaillère gauche et que le levier est réglé en position **COLDEST** (le plus froid), l'air du congélateur circule autour du bac pour le garder très froid.



Le levier de commande de température vous permet de régulariser le débit de l'air froid qui circule autour du bac. Lorsque ce levier est déplacé tout à fait vers le haut, le registre qui recouvre une ouverture pratiquée dans le bac est ouvert, ce qui maintient la température au plus froid. Lorsque ce levier est déplacé tout à fait vers le bas, le registre est fermé. La température du bac est alors maintenue au même niveau que celle du réfrigérateur.

On peut choisir n'importe quel réglage entre ces deux extrêmes.

Caractéristiques

MACHINE À GLAÇONS AUTOMATIQUE OU EMPLACEMENT PRÉVU POUR UNE

Si votre réfrigérateur comporte une machine à glaçons automatique, reportez-vous à la section machine à glaçons pour les instructions de fonctionnement. Sinon, vous pourrez en ajouter une. Un ensemble de machine à glaçons automatique est disponible auprès du magasin Sears ou du Centre de service Sears.

ÉTIQUETTE

Des renseignements importants sont juste sur le réfrigérateur, y compris l'entretien quotidien.

COMMANDES DE TEMPÉRATURE

Réglez la commande du compartiment congélateur sur "C" et la commande du compartiment réfrigérateur sur "5." Il pourrait être nécessaire de les régler plus tard.

BAC À VIANDE

Permet de ranger temporairement les aliments que l'on ne veut pas congeler, telles que les collations, les hors-d'oeuvres, la charcuterie, le fromage et les tartinades. Une commande de température réglable sur certains modèles vous permet de régler la quantité d'air froid environnant le bac.

NUMÉROS DE SÉRIE ET MODÈLE

Ces numéros sont indiqués ici. Pour commander des pièces de rechange, voyez la liste des pièces qui est venue avec votre réfrigérateur ou indiquez ces numéros au centre de réparation Sears le plus proche.

MOULES À GLAÇONS SOUPLES

Exercez une légère torsion aux deux extrémités des moules et les glaçons tomberont dans le contenant, ou bien vous pouvez démouler les glaçons un à un.

SANS GIVRE

Il n'est pas nécessaire de dégivrer le compartiment congélateur, votre réfrigérateur est équipé d'une commande de dégivrage automatique.

CLAYETTES DE CONGÉLATEUR RÉGLABLES

Supportez le bac à glaçons au niveau correct sur les modèles équipés d'une machine à glaçons, réglez en position inférieure ou supérieure pour une plus grande souplesse de rangement sur les modèles équipés des moules à glaçons. Quelques modèles ont des demi-clayettes à position multiples, les autres ont une clayette pleine largeur à deux hauteurs.

INTERRUPTEUR POWER MISE

Ceci réduit la quantité d'électricité nécessaire pour faire fonctionner le réfrigérateur quand poussé à gauche. Ceci réduit ou élimine la formation de condensation sur l'extérieur du réfrigérateur quand poussé à droite.

BAC PRATIQUE

Peut contenir deux douzaines d'oeufs dans leur carton d'origine ou bien on peut le mettre dans le congélateur pour conserver les glaçons.

CASIER À PRODUITS LAITIERS

La porte reste ouverte pendant que l'on utilise le casier de façon à accéder facilement aux produits laitiers.

BALCONNETS

(sur certains modèles) Ces balconnets réglables sur la porte facilitent l'accès aux produits fréquemment utilisés.

CLAYETTES DE LA PORTE

(sur certains modèles) Les clayettes de la porte permettent de garder à portée de la main les articles fréquemment utilisés.

BALCONNET À OEUFS/CHARCUTERIE

(sur certains modèles) Ce balconnet est bon pour garder les oeufs ou la charcuterie.

BACS FRAIS

(sur certains modèles) Ce bac a été conçu pour permettre une plus grande circulation d'air et un degré d'humidité moins élevé pour la conservation de la plupart des fruits. Sur certains modèles, une commande d'humidité variable permet de régler la quantité d'air froid qui y entre.

BAC À ALIMENTS

(sur certains modèles) Le bac sellé de gauche est hermétique pour maintenir un niveau d'humidité élevé pour les aliments non enveloppés et de la plupart des légumes. Sur certains modèles, une commande d'humidité variable permet de régler la quantité d'air froid qui y entre.

SÉPARATEUR

(sur certains modèles) Déplacez-le selon les besoins le long des balconnets pour maintenir en place les articles qui pourraient basculer, se renverser ou glisser, tels petites bouteilles et bocaux.

CLAYETTES RÉGLABLES

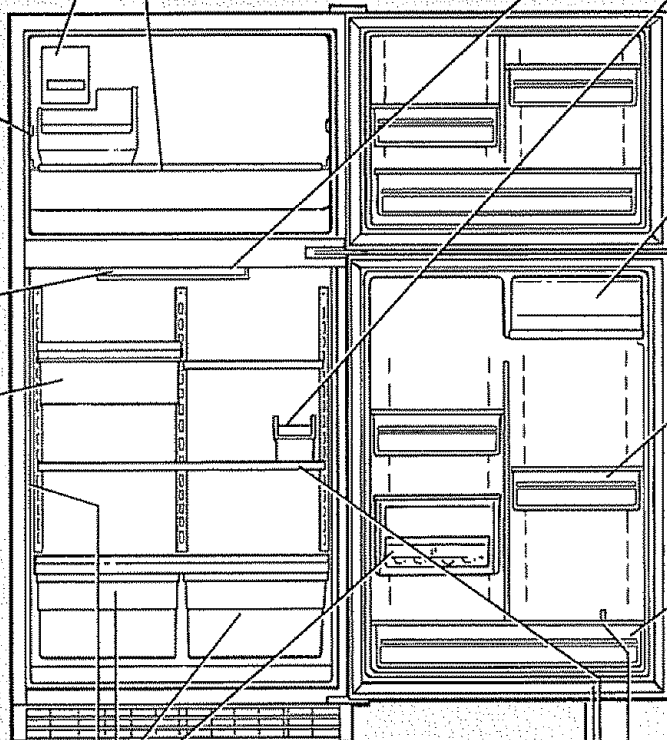
Ces clayettes vous permettent de ranger—et réarranger l'intérieur de votre réfrigérateur selon vos besoins de rangement changeants.

JOINTS DES PORTES AIMANTÉS

Les portes se ferment en douceur et le joint assure l'étanchéité lorsque le réfrigérateur est de niveau—voyez la section Fonctionnement du réfrigérateur.

PORTES EN ACIER TEXTURÉES

Touchez les portes texturées; les marques de doigts n'y resteront pas.



Service de glaçons

Machine à glaçons

(sur les modèles équipés d'une machine à glaçons)

Il faut prévoir de 8 à 12 heures pour qu'un réfrigérateur nouvellement installé commence à fabriquer des glaçons.

Votre machine à glaçons produit huit glaçons par cycle—environ 100 glaçons dans une période de 24 heures, selon la température du congélateur, la température ambiante, la fréquence d'ouverture de la porte et d'autres conditions d'utilisation.

Si votre réfrigérateur est utilisé avant que la connexion d'eau ne soit faite sur la machine à glaçons, gardez le bras régulateur en position STOP (ARRÊT—relevée).

Lorsque le réfrigérateur a été connecté à l'alimentation d'eau, amenez le bras régulateur sur la position ON (MARCHE—abaissée).

La machine à glaçons se remplit d'eau lorsqu'elle atteint le point de congélation. Il faut prévoir de 8 à 12 heures pour qu'un réfrigérateur nouvellement installé commence à fabriquer des glaçons.

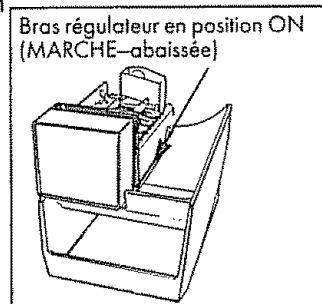
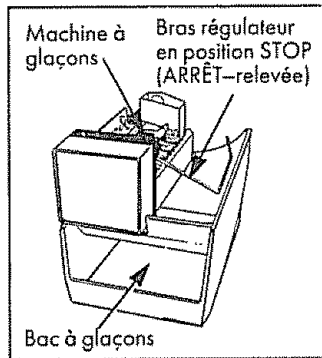
Jetez les premières séries de glaçons. Cela permet d'éliminer les impuretés dans le circuit d'eau.

La fabrication de glaçons continue jusqu'à ce que le bras régulateur détecte une accumulation suffisante de glaçons dans le bac de stockage et arrête temporairement le fonctionnement. Pour un stockage maximum de glaçons, égalisez à la main le niveau de glaçons de temps en temps. Assurez-vous que rien n'interfère avec le balancement du bras régulateur.

La machine à glaçons éjecte les glaçons en groupes de huit et il peut arriver que plusieurs glaçons soient collés.

Amenez le bras régulateur de la machine à glaçons en position STOP (ARRÊT—relevée) quand :

- L'alimentation en eau de la maison doit être coupée pendant plusieurs heures.
- Le bac de stockage des glaçons doit être retiré pendant un certain temps.
- Vous partez en vacances. Dans ce cas, fermez également le robinet d'arrêt de la conduite d'eau de votre réfrigérateur.
- Vous positionnez la commande de température du réfrigérateur sur OFF (éteint).



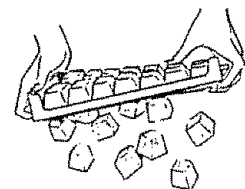
Si les glaçons ne sont pas utilisés souvent, les vieux glaçons apparaîtront opaques et auront un goût fade. Videz régulièrement le bac à glaçons et lavez-le à l'eau tiède. Assurez-vous de laisser le bac sécher avant de le remettre en place—sinon les glaçons risquent de coller aux autres pièces de la machine à glaçons.

Si c'est votre première machine à glaçons, vous entendrez parfois des bruits qui vous sembleront inhabituels. Ce sont les bruits normaux de fabrication des glaçons et il n'y a pas lieu de s'inquiéter.

Moules à glaçons

(sur les modèles sans machine à glaçons automatique)

Pour libérer les glaçons, tenez le moule à l'envers, au-dessus d'un récipient et exercez une torsion aux deux extrémités.



Si vous n'avez besoin que d'un ou deux glaçons, laissez le moule à l'endroit, exercez une légère torsion aux deux extrémités et prenez le nombre de glaçons qu'il vous faut.

Les moules et le bac à glaçons doivent être lavés seulement à l'eau tiède. Ne les mettez jamais au lave-vaisselle.

Ensemble de machine à glaçons automatique

(offert en option moyennant supplément)

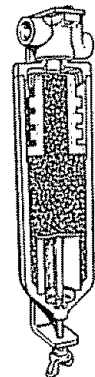
Si votre réfrigérateur n'est pas équipé d'une machine à glaçons, vous pouvez en faire installer une en vous adressant à votre magasin Sears ou au Centre de service Sears.

Filtre d'eau

(offert en option moyennant supplément)

Vos glaçons ne peuvent qu'avoir le goût de l'eau qui les produit. C'est pourquoi nous vous conseillons de purifier votre eau avec un filtre d'eau.

Le filtre d'eau est offert en option moyennant supplément et est disponible chez votre Centre de Service Sears. Commandez Filtre No. 978488 et vous pouvez l'installer dans quelques minutes quand il est relié à la connexion de tuyau d'eau d'admission.



Kit d'alimentation en eau

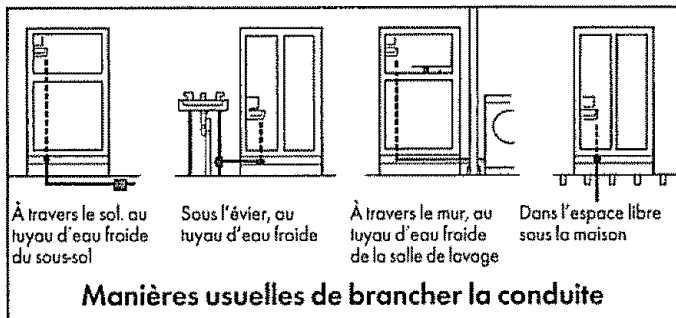
(offert en option moyennant supplément)

Un kit d'alimentation en eau contenant des conduites en cuivre, des raccords de robinet d'arrêt et les instructions nécessaires pour brancher la machine à glaçons à votre conduite d'eau froide est aussi disponible chez votre magasin Sears ou au Centre de Service Sears.

(suite à la page suivante)

Service de glaçons (suite)

L'installation de la conduite d'eau de la machine à glaçons



Vous aurez besoin d'un robinet d'arrêt, de deux écrous de compression de 1/4" (diam. ext.), deux manchons de compression et une longueur suffisante de tuyau en cuivre de 1/4" (diam. ext.) pour relier votre réfrigérateur à la conduite d'eau. (Votre magasin Sears ou Bureau de ventes des catalogues a un ensemble disponible avec un robinet d'arrêt à brides et tuyau en cuivre. Avant de l'acheter, assurez-vous qu'un robinet d'arrêt à brides est conforme au code de plomberie local.)

ATTENTION: Ne pas installer de tuyaux pour votre machine à glaçons dans un endroit où les températures risquent de tomber en-dessous de 0 °C.

1. Trouvez un tuyau d'eau FROIDE vertical mesurant entre 3/8" (10 mm) et 1" (25 mm) à proximité du réfrigérateur. Si vous êtes obligé de raccorder à un tuyau horizontal, faites le raccordement sur le dessus ou le côté de la tuyauterie, au lieu de sur le dessous pour éviter les chutes de sédiments de la tuyauterie.

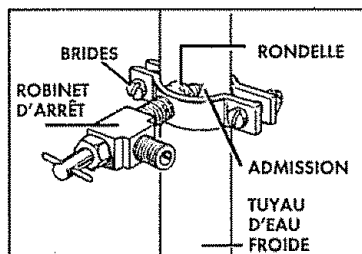
2. Mesurez à partir de l'ENTRÉE d'eau du réfrigérateur jusqu'au tuyau. Ajoutez 7' (2 m) pour permettre le déplacement de votre réfrigérateur lors du nettoyage. C'est cette longueur de tuyau en cuivre de 1/4" (diam. ext.) que vous aurez besoin d'acheter (longueur à compter du robinet jusqu'à la tuyauterie PLUS 7' [2 m]). Assurez-vous que les deux bouts des tubulures en cuivre sont coupés carrés.

3. COUPEZ l'alimentation en eau. Ouvrez le robinet le plus proche pour permettre à l'eau de s'écouler des tuyaux.

ATTENTION: Lors de l'utilisation de tout appareil électrique (comme une perceuse électrique) pour l'installation, assurez-vous que l'appareil est correctement isolé, ou branché de façon à éviter tout risque d'électrocution.

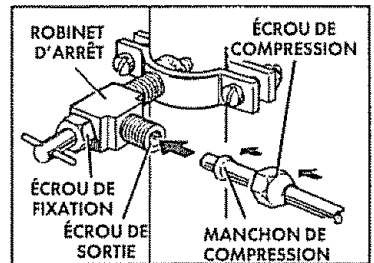
4. Au moyen d'une perceuse mise à la terre, percez un trou de 3/16" dans le tuyau vertical que vous aurez choisi.

5. Accrochez le robinet d'arrêt au tuyau d'eau froide au moyen de brides. Assurez-vous que l'admission est solidement ancrée dans le trou de 3/16" du tuyau et qu'une rondelle est placée sous la bride. Serrez l'écrou de fixation.



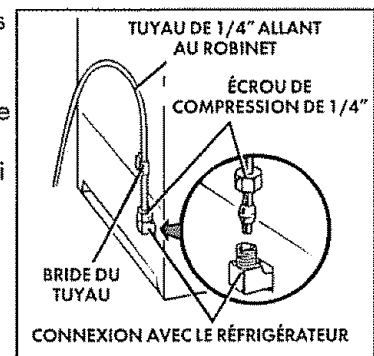
Serrez les vis de la bride soigneusement et régulièrement afin que la rondelle crée un joint étanche. Évitez de serrer trop fort, car vous pourriez écraser les tuyaux en cuivre, particulièrement s'il s'agit de tuyaux de cuivre mou. Vous êtes maintenant prêt à joindre les tuyaux en cuivre.

6. Glissez le manchon de compression et l'écrou de compression sur le tuyau en cuivre comme indiqué. Insérez fermement le bout du tuyau dans le bout de sortie en enfonçant aussi loin que possible. Serrez les écrous de compression



à l'orifice de sortie avec une clé à molette. Ne serrez pas trop fort. OUVREZ l'arrivée d'eau et laissez l'eau couler à travers le tuyau jusqu'à ce que l'eau soit claire. FERMEZ le robinet situé sur le tuyau. Vous pouvez maintenant relier l'autre bout du tuyau en cuivre de 1/4" à l'électrovanne située à l'arrière du réfrigérateur.

7. Le robinet d'eau (inclus dans l'ensemble de machine à glaçons, s'il n'existe déjà pas sur votre modèle) est muni d'un joint de compression qui dépasse le panneau du compartiment compresseur à l'arrière du réfrigérateur. Installez l'écrou de compression sur le joint



de compression, comme indiqué. Insérez le bout du tuyau dans le connecteur et serrez l'écrou de compression. Assurez-vous que le bout du tuyau est bien inséré dans le connecteur en enfonçant aussi loin que possible. Ne serrez pas trop fort. Assurez-vous qu'il reste suffisamment de tuyau (enroulé trois fois en un diamètre d'environ 10" [25 cm]) pour permettre le déplacement du réfrigérateur après l'installation. Fixez la tubulure à l'aide d'une bride métallique dans le coin supérieur droit du panneau du compartiment compresseur.

8. OUVREZ le robinet. SERREZ TOUTES LES CONNEXIONS ET TOUS LES ÉCROUS QUI FUIENT.

9. Le tuyau en cuivre peut maintenant être fixé.

10. Vos glaçons ne peuvent qu'avoir le goût de l'eau qui les produit. C'est pourquoi nous vous conseillons de purifier votre eau avec un filtre d'eau. Le filtre d'eau est offert en option moyennant supplément et est disponible chez votre Centre de Service Sears. Commandez Filtre No. 978488 et vous pouvez l'installer dans quelques minutes quand il est relié à la connexion de tuyau d'eau d'admission.

11. Limites de pression d'eau: La pression ne peut descendre sous 100 kPa (15 lb/po²) ni monter au-dessus de 860 kPa (125 lb/po²). En cas de problème, appelez les services publics.

IMPORTANT: Votre machine à glaçons peut mettre jusqu'à 24 heures avant de produire des glaçons. Les premiers lots de glaçons sont à jeter; après cela, l'eau aura été débarrassée de ses impuretés.

Entretien et nettoyage

Extérieur

Les poignées de porte et leur garniture peuvent être nettoyées au moyen d'un linge humide et d'une solution d'eau et de détergent liquide pour la vaisselle. Essuyez avec un linge doux. N'appliquez pas de cire sur les poignées et les garnitures de porte

Pour maintenir le fini propre, frottez avec un chiffon propre légèrement humecté de cire pour appareils électroménagers ou d'un détergent liquide doux pour la vaisselle. Séchez et polissez avec un chiffon doux propre. N'essuyez pas le réfrigérateur avec un chiffon à vaisselle ou une serviette mouillée: ils pourraient laisser un résidu qui attaquera la peinture. N'utilisez pas de tampons à récurer, de produits en poudre, d'eau de Javel ou autres produits similaires, car vous risqueriez de rayer la peinture et de la rendre moins résistante.

Protégez les surfaces peintes. La surface extérieure du réfrigérateur est recouverte d'une peinture émaillée de haute qualité. Moyennant certaines précautions, cette peinture gardera son éclat et résistera à la rouille pendant de longues années. Appliquez une cire pour appareils électroménagers quand le réfrigérateur est neuf, puis au moins 2 fois par an par la suite.

Intérieur

Nettoyez au moins une fois par an le réfrigérateur et le congélateur. Débranchez le réfrigérateur avant de le nettoyer. Si cela n'est pas pratique, essorez bien votre éponge ou chiffon pour nettoyer autour des interrupteurs, voyants ou boutons.

Utilisez une solution d'eau (15 ml) environ de bicarbonate de soude par litre (1 L) d'eau—pour nettoyer et éliminer les odeurs. Rincez bien et essuyez.

Les autres éléments du réfrigérateur—y compris les joints de porte, les bacs à viande et à légumes, le bac à glaçons et toutes les pièces en plastique—peuvent être nettoyés de la même manière. Après avoir nettoyé les joints de porte, appliquez une fine couche de gelée de pétrole du côté des charnières. Ceci empêche les charnières de "coller" et de se déformer.

Évitez de nettoyer les clayettes en verre encore froides dans de l'eau chaude car elles risquent de se casser à cause de l'écart excessif de température.

Pour éviter les mauvaises odeurs, laissez une boîte de bicarbonate de soude ouverte au fond du réfrigérateur, sur la clayette du haut. Remplacez-la tous les 3 mois. Une boîte ouverte de bicarbonate de soude dans le congélateur absorbera les odeurs de renfermé.

Ne lavez aucun élément en plastique du réfrigérateur dans votre lave-vaisselle.

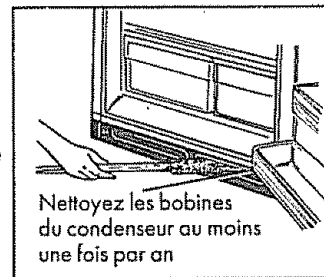
Derrière le réfrigérateur

Prenez un soin particulier lorsque vous déplacez le réfrigérateur. Tous les types de revêtements de sol peuvent être endommagés, particulièrement ceux qui sont coussinés ou dont les surfaces sont gaufrées. Tirez le réfrigérateur droit vers l'avant et remettez-le en place en le poussant droit. Si vous le déplacez latéralement, vous risquez de l'endommager, ou d'abîmer le revêtement de sol.

Quand vous remettez le réfrigérateur en place en le poussant, veillez à ne pas le faire rouler sur le cordon d'alimentation ou sur la conduite d'eau de la machine à glaçons.

Sous le réfrigérateur

Le condenseur se trouve derrière la grille inférieure. Pour un fonctionnement plus efficace, vous devez garder le condenseur propre. Réglez la commande de température sur OFF (éteint). Retirez la grille inférieure et balayez ou aspirez la poussière immédiatement accessible sur le condenseur, ensuite réglez la commande pour faire fonctionner de nouveau le réfrigérateur. Pour de meilleurs résultats, utilisez une brosse conçue spécialement à cet effet, que vous pouvez obtenir à la plupart des magasins Sears ou des centres de pièces Sears. Ce nettoyage simple doit être fait au moins une fois par an.



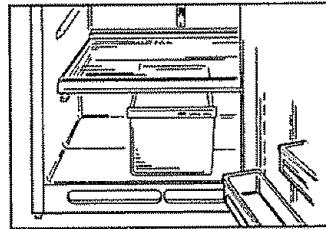
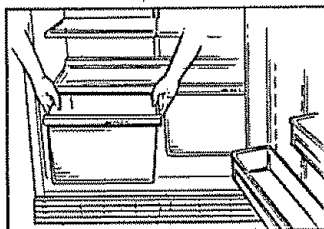
(suite à la page suivante)

Entretien et nettoyage (suite)

Bacs

Les bacs en bas du réfrigérateur s'arrêtent avant de sortir complètement du réfrigérateur, pour éviter de renverser leur contenu sur le sol. Ces bacs peuvent être retirés facilement en soulevant légèrement les côtés tout en les tirant au-delà de la butée.

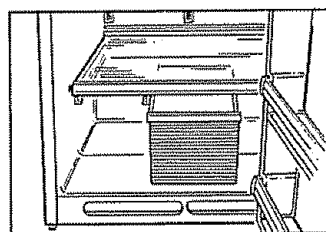
Pour retirer les bacs et leurs couvercles lorsque la porte du réfrigérateur ne peut pas s'ouvrir complètement:



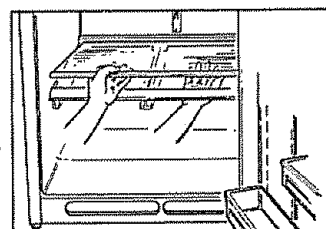
1. Déposez le bac le plus loin de la porte.

2. Déposez l'autre bac.

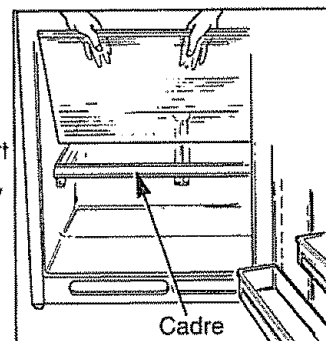
Sur modèles avec une clayette de porte inférieure qui bloque l'autre bac, glissez l'autre bac vers le centre et retirez-le.



3. Déposez le couvercle en verre. Penchez-vous, soulevez l'avant du couvercle en verre et en même temps tirez-le en avant aussi loin que possible. Basculez-le et sortez-le.



4. Déposez le cadre du bac. (Déposez toujours le couvercle en verre avant de sortir le cadre du bac.) Soulevez le cadre du support de chaque côté et à l'arrière, tirez-le en avant, basculez-le et sortez-le.



Pour remettre en place:

1. Abaissez le cadre jusqu'à ce qu'il repose sur les supports de chaque côté et à l'arrière.

2. Remettez en place les bacs.

Si vous avez déposé la glissière du bac, remettez-la en place avec l'extrémité en pente à l'avant.

a. Glissez un côté du bac sur la glissière du bac.

b. Amenez la glissière et le bac jusqu'à la charnière jusqu'à ce que l'autre côté du bac repose sur le cadre

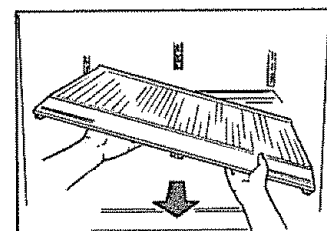
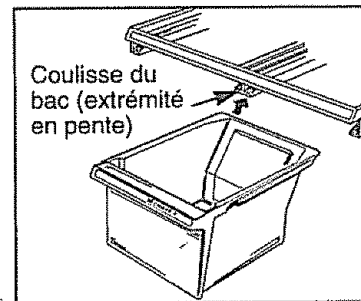
c. Glissez l'autre bac en place.

3. Remettez en place le couvercle en verre, en poussant son bord arrière fermement en place dans le guide du cadre arrière et en abaissant doucement l'avant en place.

Bacs avec couvercle en plastique

Pour retirer les bacs, soulevez légèrement l'avant et tirez le tiroir bien droit.

Pour retirer le couvercle, supportez-le avec une main, basculez-le et sortez-le.



Remplacement des ampoules

Pour remplacer l'une ou l'autre de ces ampoules, débranchez le réfrigérateur.

Compartiment réfrigérateur. Une ampoule facilement accessible se trouve en haut et à l'avant du compartiment réfrigérateur. Remplacez-la par une ampoule de même intensité.

Compartiment congélateur. Sur certains modèles, une ampoule se trouve en haut à droite et à l'arrière du compartiment congélateur, derrière un écran protecteur. Remplacez-la par une ampoule de même intensité.

Si vous partez en vacances

Si vous vous absentez pendant une longue période, débranchez le réfrigérateur, mettez le bouton numérique de la commande de température sur OFF (éteint), nettoyez l'intérieur du réfrigérateur avec une solution faite de bicarbonate du soude (une cuillerée à soupe [15 ml] dans une pinte [1 L] d'eau). Essuyez. Pour empêcher les odeurs, mettez une boîte de bicarbonate du soude dans le réfrigérateur et laissez les portes ouvertes.

Si votre absence est moins longue, retirez les aliments périssables du réfrigérateur et laissez-le réglé aux températures habituelles. Toutefois, si vous prévoyez que la température de la pièce descendra en dessous de 55 °F (13 °C), procédez de la même façon qu'en cas d'absence prolongée.

Si votre réfrigérateur est muni d'une machine à glaçons, déplacez le bras régulateur de la machine à glaçons en position STOP (ARRÊT—relevée) et fermez le robinet de la conduite d'eau.

Si vous déménagez

Débranchez le cordon d'alimentation, retirez tous les aliments du réfrigérateur; nettoyez et séchez l'intérieur du réfrigérateur.

Immobilisez tous les éléments qui ne sont pas fixes (clayettes et bacs) avec du ruban adhésif.

Assurez-vous que le réfrigérateur sera maintenu en *position verticale* pendant les déplacements de même que dans le camion de déménagement. Le réfrigérateur doit être bien attaché dans le camion de déménagement pour ne pas bouger. Protégez l'extérieur du réfrigérateur avec une couverture.

Conseils pour économiser l'énergie

- N'ouvrez pas les portes plus souvent que nécessaire.
- Refermez les portes dès que possible, surtout par temps chaud et humide.
- Gardez l'Interrupteur Power Miser dans la position à gauche à moins que de l'humidité se forme sur le cabinet par temps chaud et humide.
- Assurez-vous que les portes sont bien fermées. Avant de quitter la maison ou de vous mettre au lit, vérifiez si une porte n'a pas été laissée entrouverte par inadvertance.
- Ne mettez au réfrigérateur que les aliments qui exigent d'être gardés au frais.
- Essuyez la condensation qui se forme sur les bouteilles et les contenants de carton avant de les mettre au réfrigérateur.
- Couvrez bien tous les aliments afin d'éviter l'accumulation d'humidité dans le réfrigérateur.
- Si vous réglez la commande de température au plus froid pour refroidir ou congeler rapidement des aliments, n'oubliez pas de la ramener au réglage normal par la suite.
- Ne remplissez pas votre réfrigérateur à l'excès, car il consomme alors beaucoup d'énergie pour garder tous les aliments frais.

Avant d'appeler le service de réparation

Économisez du temps et de l'argent. Vérifiez cette liste de causes de problèmes mineurs de fonctionnement auxquels vous pourrez remédier vous-même.

Le réfrigérateur ne fonctionne pas

- Le cycle de dégivrage est peut-être en marche: le moteur cesse alors de fonctionner pendant environ 35 minutes.
- La commande de température du réfrigérateur est sur OFF (éteint).
- Si l'ampoule ne s'allume pas, il se peut que le cordon d'alimentation du réfrigérateur ne soit pas branché dans la prise murale.
- Si la fiche est bien branchée et que les commandes ne fonctionnent toujours pas, branchez une lampe ou un petit appareil électroménager dans la prise murale pour vérifier s'il y a du courant (le disjoncteur ou le fusible peut avoir sauté).

Le moteur fonctionne longtemps

- C'est normal: les réfrigérateurs modernes étant plus grands et ayant un congélateur plus grand, leur moteur doit fonctionner plus longtemps.
- Si le réfrigérateur vient d'être installé, il est normal que le moteur fonctionne beaucoup pendant les 24 premières heures afin de refroidir les compartiments.
- Vous avez mis une grande quantité d'aliments à réfrigérer ou à congeler.
- Vous ouvrez souvent les portes par temps chaud.
- Une des portes est restée entrouverte.
- Les commandes de température sont à un réglage trop froid.
- Le condenseur doit être nettoyé.
- Consultez la section CONSEILS POUR ÉCONOMISER L'ÉNERGIE.

Le moteur démarre et s'arrête fréquemment

- C'est la commande de température qui fait démarrer et arrêter le moteur pour maintenir une température uniforme. Ceci est normal.

La carrosserie vibre

- Si le réfrigérateur vibre, il y a de fortes chances qu'il ne soit pas de niveau. Les vis des roulettes avant doivent être réglées, ou alors le plancher est inégal ou n'est pas assez solide.
- Si les plats ou les contenants vibrent sur les clayettes, déplacez-les. Une légère vibration est normale.

Bruits divers

- Le compresseur doit maintenir une température très basse dans le gros compartiment congélateur; son moteur tourne très vite et peut produire un bruit plus audible que celui de votre ancien réfrigérateur.
- Fonctionnement normal des ventilateurs: l'un fait circuler l'air froid à l'intérieur des compartiments, l'autre refroidit le moteur du compresseur.
- Les bruits suivants peuvent aussi se produire à l'occasion; ils sont NORMAUX:
 - Déclat de la minuterie de dégivrage.
 - Écoulement de l'eau de dégivrage.
 - Déclat de la commande de température qui DÉMARRE et ARRÊTE le moteur.
 - Gargouillis du liquide frigorigène dans le circuit frigorifique.
 - Craquements ou bruits secs dans les serpentins de refroidissement, causés par la dilatation et la contraction du métal pendant le dégivrage, puis à la reprise de la réfrigération.
 - Glaçons qui tombent dans le bac et l'eau qui coule dans les tuyaux lorsque la machine à glaçons se remplit.

Air chaud à la base

- Courant d'air normal provenant du moteur. Pendant le processus de réfrigération, il est normal que de la chaleur soit expulsée à la base du réfrigérateur. Certains revêtements de plancher peuvent se décolorer sous l'effet de cette température de fonctionnement normale et ne présente aucun danger. Si vous voulez éviter cette décoloration, consultez votre fournisseur de revêtements de sol.

Aliments desséchés

- Aliments non couverts ou emballés de façon appropriée; leurs contenants ne sont pas hermétiques.

Température trop élevée dans le compartiment congélateur ou réfrigérateur

- La commande de température n'a pas été réglée à un niveau assez bas.
- Temps chaud—ouverture fréquente des portes.
- Porte ouverte trop longtemps.
- Obstruction de la porte par un paquet ou un paquet bloque la conduite d'air dans le congélateur.

Les aliments surgelés sont givrés

- La porte peut avoir été laissée entrouverte, ou quelque chose l'empêche de bien fermer.
- Les portes sont ouvertes trop souvent ou restent ouvertes trop longtemps.
- Il est normal que du givre se forme à l'intérieur de l'emballage.

Les glaçons prennent du temps à geler

- La porte du congélateur peut avoir été laissée entrouverte.
- Réglez la commande du congélateur à une température plus froide.

Les glaçons ont une couleur ou un goût anormal

- Jetez les vieux glaçons. Videz le bac à glaçons tous les 30 jours.
- Videz et lavez le bac à glaçons.
- Dans les compartiments réfrigérateur ou congélateur, des aliments non emballés hermétiquement peuvent avoir transmis leur odeur aux glaçons.
- Il est temps de nettoyer l'intérieur du réfrigérateur.

La machine à glaçons automatique ne fonctionne pas

- Le bras régulateur de la machine à glaçons est à la position STOP (ARRÊT—relevée).
- Conduite d'alimentation en eau fermée ou non raccordée.
- Température trop élevée dans le compartiment congélateur.
- Quelquefois, les glaçons se collent sur le côté du bac à glaçons et maintiennent le bras régulateur en position STOP (ARRÊT—relevée). Enlevez ces glaçons et remettez la machine à glaçons en marche.
- La machine à glaçons peut s'arrêter prématurément s'il y a accumulation de glaçons dans le bac. Le bras régulateur étant sur STOP (ARRÊT—relevée), étalez les glaçons à la main.
- En prenant les glaçons à la main, vous avez peut-être par inadvertance positionné le bras régulateur sur STOP (ARRÊT—relevée).

De la condensation se forme à l'extérieur du réfrigérateur

- Ce problème n'est pas inhabituel pendant les fortes périodes d'humidité.
- Réglez l'Interrupteur Power Miser à droite.

La condensation s'accumule à l'intérieur

- Les portes sont ouvertes trop fréquemment et trop longtemps.
- Par temps humide, l'ouverture des portes entraîne de l'humidité dans le réfrigérateur.

Odeur dans le réfrigérateur

- Les aliments à odeur forte doivent être bien emballés.
- Les aliments sont peut-être gâtés.
- L'intérieur doit être nettoyé.
- Gardez une boîte de bicarbonate de soude ouverte dans le réfrigérateur. Remplacez-la tous les trois mois.

L'éclairage intérieur ne fonctionne pas

- Le courant ne parvient pas à la prise électrique.
- L'ampoule doit être remplacée.

Inversion de l'ouverture des portes

Votre réfrigérateur est doté de portes dont l'ouverture peut être inversée en fonction de vos besoins. Ces instructions vous indiquent comment changer les charnières de droite à gauche. Si, plus tard, vous voulez remettre les charnières à droite, suivez simplement ces instructions en procédant à l'inverse.

- Lisez attentivement toutes ces instructions avant de commencer.
- Faites bien attention de ne pas rayer la peinture avec les pièces.
- Placez les vis par rapport à leur pièce correspondante de façon à ne pas les utiliser à la mauvaise place.
- Prévoyez une surface de travail qui ne risque pas de rayer les portes.
- **ATTENTION:** Ne laissez aucune porte tomber sur le plancher, sinon vous risquerez d'endommager la butée de porte.

Outils requis

- Un tournevis Torx T20 ou Torx T25
- Une clé à cliquet et une douille de 3/8" (une douille à 6 pans est préférable)
- Du ruban-cache
- Un tournevis Phillips
- Un couteau à mastic ou un tournevis à lame très mince (l'extrémité de l'outil doit être recouverte de ruban pour ne pas rayer la peinture).

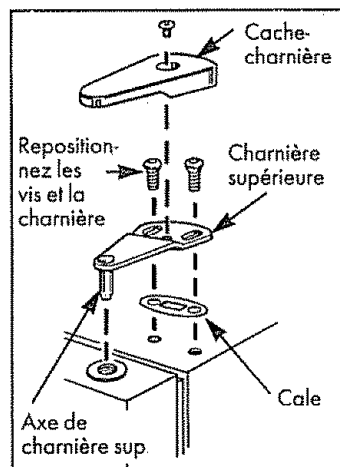
Pour enlever les portes

Étape 1—Généralités

- Débranchez le réfrigérateur de la prise de courant.
- Videz les balconnets des portes, y compris les casiers à beurre et à produits laitiers.

Étape 2—Enlèvement de la porte du congélateur

- Gardez la porte fermée avec du ruban-cache.
- À l'aide d'un tournevis Phillips, dégager le cache-charnière. Avec un tournevis Torx, enlevez les 2 vis Torx qui retiennent la charnière supérieure sur la carrosserie.
- Soulevez la charnière pour dégager l'axe de charnière de la douille qui se trouve dans la partie supérieure de la porte.

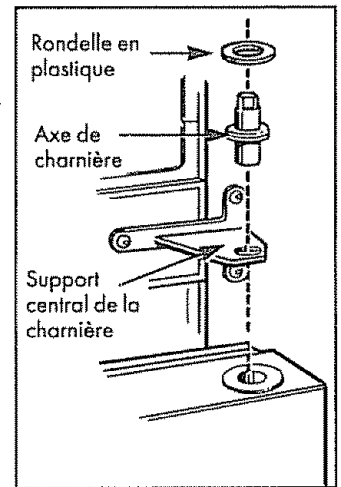


(d) Enlevez le ruban et basculez la porte en l'éloignant de la carrosserie; soulevez-la de façon à dégager sa douille inférieure de l'axe de charnière du support central de la charnière.

(e) Posez la porte sur une surface qui ne risquera pas de la rayer.

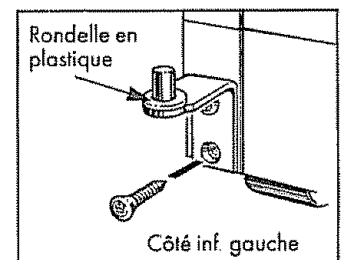
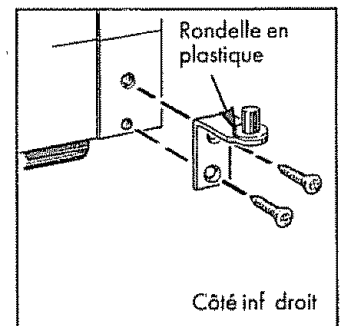
Étape 3—Enlèvement de la porte du compartiment réfrigérateur

- Gardez la porte fermée avec du ruban-cache.
- Enlevez l'axe de charnière à l'aide d'une clé à cliquet et d'une douille de 3/8".
- Enlevez le ruban, basculez la porte en l'éloignant de la carrosserie. Enlevez la rondelle de l'axe de charnière et conservez-la.
- Soulevez la porte bien droit pour dégager sa douille inférieure de l'axe de charnière du support inférieur de la charnière.

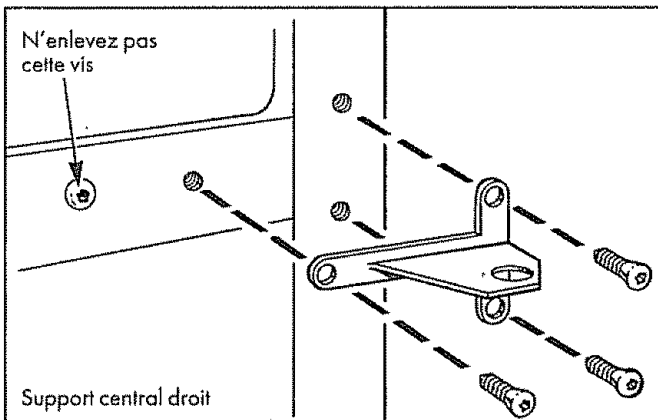


Transfert de la charnière inférieure

- Enlevez la grille (reportez-vous à la page 21). Saisissez-la en bas et tirez droit dessus.
- À l'aide d'un tournevis Torx, enlevez la charnière ainsi que la rondelle de plastique qui se trouve en bas et à droite de la carrosserie.
- Réinstallez la charnière ainsi que la rondelle de plastique en bas et à gauche de la carrosserie.

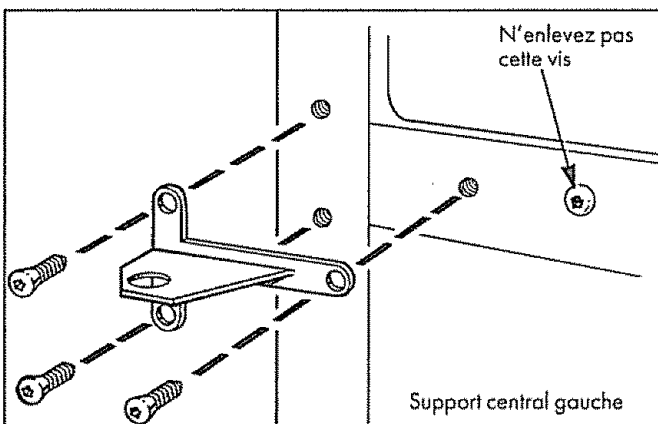


Transfert du support central de la charnière



(a) Enlevez le support central de la charnière de droite de la carrosserie en enlevant les trois vis Torx les plus à droite. **NOTE:** Gardez ces vis avec le support de charnière. Les vis sont plus longues et elles seront utilisées pour installer la charnière à l'autre côté.

(b) Enlevez les trois vis Torx les plus à gauche, au centre de la carrosserie, et vissez-les dans les trous de droite dégagés lors de l'opération (a) précédente.



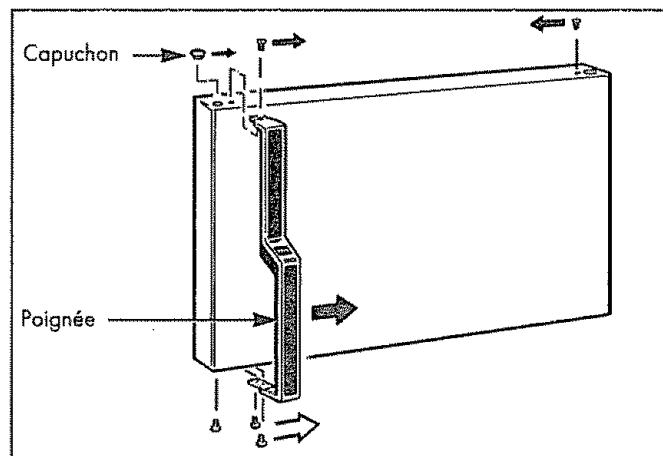
(c) Mettez le support central de la charnière sur les trous du centre à gauche de la carrosserie, introduisez les trois vis que vous avez enlevées avec le support central de la charnière lors de l'opération (a), puis serrez-les.

Transfert de la charnière supérieure

Interchangez la charnière et les vis du côté supérieur droit avec les vis du côté supérieur gauche de la carrosserie. Ne serrez pas les vis du côté charnières pour le moment.

Transfert des poignées de porte

Porte du congélateur



(a) Enlevez la vis de fixation de la poignée en haut de la porte.

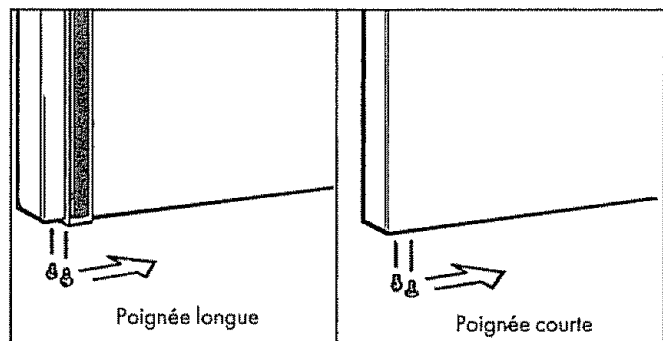
(b) Enlevez les trois vis de fixation de la poignée en bas de la porte.

(c) Transférez la vis du trou de poignée, en haut à droite de la porte, du côté opposé.

(d) Transférez le capuchon, en haut à gauche de la porte, du côté opposé.

(e) En procédant à l'inverse, réinstallez la poignée à droite de la porte à l'aide des vis enlevées lors des opérations (a) et (b).

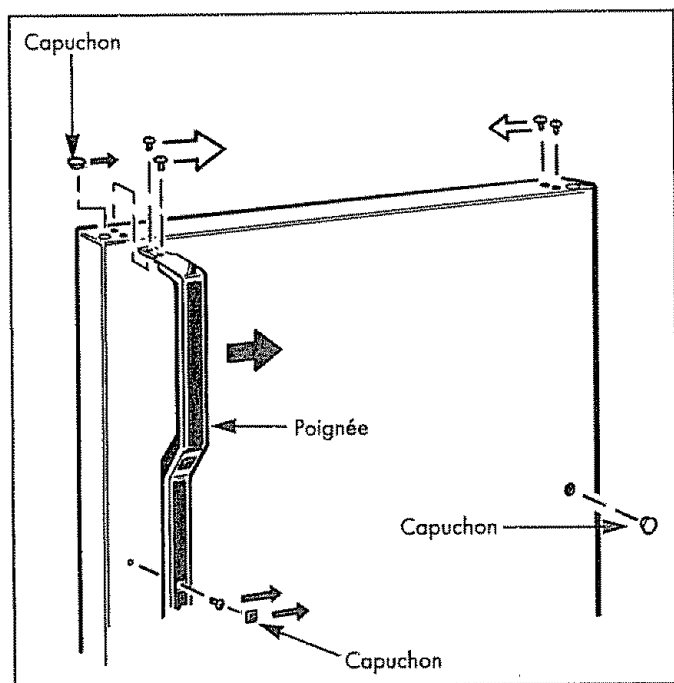
Porte du réfrigérateur



(a) Transférez les deux vis, en bas à gauche de la porte, du côté opposé. (Attendez d'avoir déplacé la poignée avant de reposer la vis avant.)

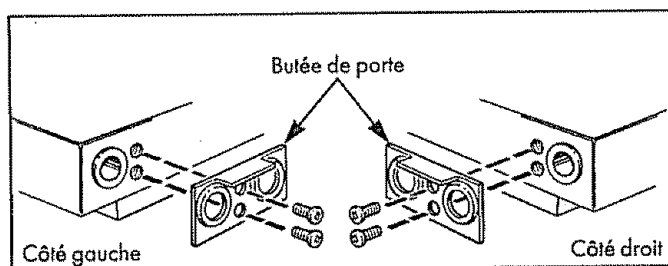
(suite à la page suivante)

Inversion de l'ouverture des portes (suite)



- (b) Enlevez les deux vis de fixation de la poignée, en haut de la porte.
- (c) À l'aide d'un couteau à mastic, enlevez le capuchon et la vis qui se trouve dessous.
- (d) Enlevez la poignée
- (e) Transférez les deux vis des trous de la poignée, en haut à droite de la porte, du côté opposé.
- (f) Transférez le capuchon, en haut à gauche de la porte, du côté opposé.
- (g) Transférez le capuchon, à l'avant à droite de la porte, dans le trou de la poignée laissé vide par l'enlèvement de la vis qui se trouvait sous le capuchon de la poignée.
- (h) Réinstallez la poignée à droite de la porte. Utilisez la vis avant enlevée lors de l'opération (a) précédente pour fixer la poignée en bas de la porte.

Transfert des butées de porte



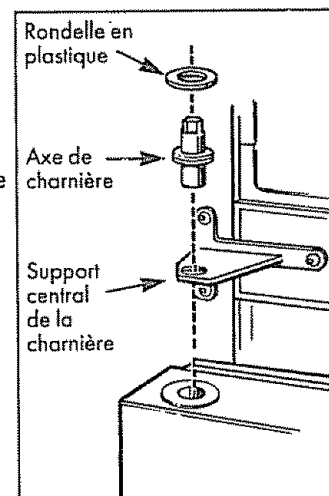
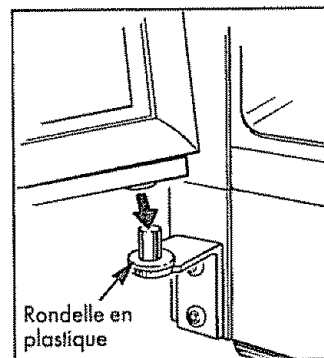
- (a) Enlevez les butées de porte en métal qui se trouvent à la partie inférieure droite de chaque porte.
- (b) Réinstallez les butées de porte sur le côté gauche après avoir déplacé les poignées.

Réinstallation de la porte du réfrigérateur

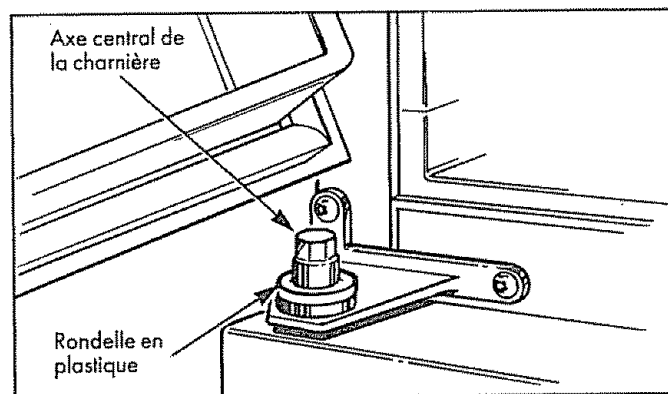
(a) Abaissez la douille qui se trouve en bas de la porte du compartiment réfrigérateur sur l'axe de charnière inférieure. Assurez-vous que la rondelle est bien en place.

(b) Basculez la porte vers la carrosserie et, doucement, poussez la porte sous le support central de la charnière et alignez-la avec le trou qui se trouve dans le support central de la charnière.

(c) Avec une douille de 3/8" et une clé à cliquet, réinstallez l'axe de charnière de façon qu'il dépasse du trou du support central de la charnière et dans la douille qui se trouve en haut de la porte du compartiment réfrigérateur.



Réinstallation de la porte du congélateur



(a) Abaissez la douille inférieure de la porte du congélateur sur l'axe central de la charnière. Assurez-vous que la rondelle est bien en place.

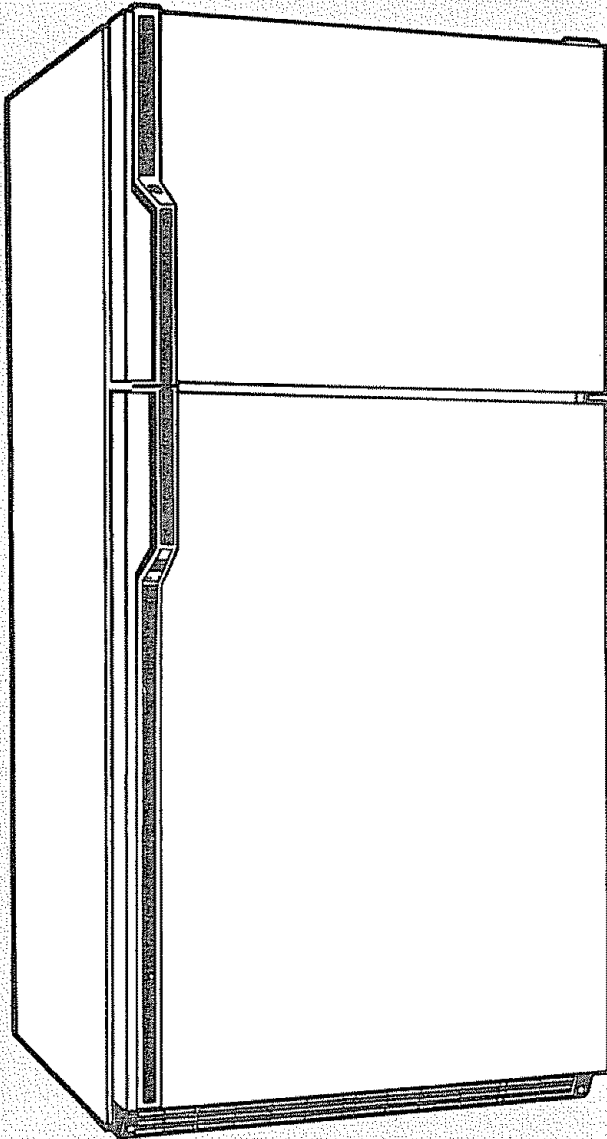
(b) Basculez la porte vers la carrosserie, en soulevant la charnière supérieure de façon que l'axe pénètre dans la douille qui se trouve en bas de la porte.

(c) Serrez les vis de la charnière supérieure après avoir supporté la porte sur le côté poignée et l'avoir alignée de façon que l'espace entre les deux portes soit le même sur toute la longueur.

(d) Réinstallez le cache-charnière.

SEARS

Manual del usuario de los refrigeradores Kenmore



Contenido

- Instrucciones de seguridad.....40
- Requerimientos para conexión a tierra40, 41
- Funcionamiento del refrigerador41, 42
- Controles de temperatura42
- Sugerencias para guardar alimentos42, 43
- Características46
- Servicio de hielo.....47, 48
- Cuidado y limpieza49, 50
- Vacaciones y mudanza51
- Consejos para ahorrar energía52
- Antes de llamar el servicio52, 53
- Para cambiar el modo de
apertura de la puerta.....54-56
- Garantía57

Su antiguo refrigerador tiene un sistema de refrigeración que usó CFC (clorofluorocarbonos). Se cree que los CFC son nocivos para el ozono estratosférico.

Si se desperdicia del antiguo refrigerador, asegúrese de que se deshaga del refrigerante con CFC correctamente por un técnico calificado. Si se libera a propósito el refrigerante con CFC puede estar sujeto a las multas y al encarcelamiento bajo las estipulaciones del Clean Air Act federal.

Favor de anotar abajo el número de modelo, el número de serie y la fecha que compró su refrigerador Kenmore. Vea la página 46 para el lugar de los números de modelo y de serie.

Número de modelo

Número de serie

Fecha de compra

SEARS, ROEBUCK AND CO., Hoffman Estates, IL 60179 USA

Modelos de compartimiento congelador superior sin escarcha 18-25 pies cúbicos
Algunos modelos están equipados con una Máquina de hacer hielo automática.
Otros modelos están equipados para la instalación en el futuro de la Máquina de hacer hielo automática.

INSTRUCCIONES IMPORTANTES DE SEGURIDAD

Lea todas las instrucciones antes de usar el aparato.

ATENCIÓN—Al usar este aparato tome siempre las precauciones básicas de seguridad incluyendo las siguientes:

- Use este aparato sólo para los fines que se describen en este Manual del usuario.
- Antes de usarse, este refrigerador deberá estar instalado con las instrucciones de atención instalador. Vea los requerimientos para conexión a tierra abajo y en la página 41.
- Nunca desconecte el refrigerador jalando el cable. Tome siempre firmemente la clavija y sáquela del contacto sin doblarla.
- Repare o reemplace inmediatamente todos los cables eléctricos de servicio que se hayan desgastado o dañado en alguna otra forma. No utilice cables que muestren roturas o daños por abrasión a lo largo de éste ni en la clavija o en alguno de sus extremos.
- Al alejar su refrigerador de la pared, cuide que no pase sobre el cable o lo dañe.
- Después de que su refrigerador esté en operación, no toque las superficies frías del congelador, sobre todo cuando tenga las manos húmedas o mojadas. La piel se podría adherir a las superficies extremadamente frías.
- Si su refrigerador tiene una máquina para hacer hielo, no ponga los dedos ni las manos en el mecanismo automático para hacer hielo mientras el refrigerador esté conectado. Esto ayudará a protegerle de daños posibles. Evitará también la intermisión con las partes móviles del mecanismo de expulsión, o con el elemento calefactor que desprende los cubos.
- No guarde ni use gasolina u otros vapores o líquidos inflamables cerca de este o cualquier otro aparato.

• No vuelva a congelar los alimentos congelados una vez que se hayan descongelados. El Departamento de Agricultura, en su Boletín Casa y Jardín No. 69, dice:

"...Ud. puede volver a congelar alimentos congelados que se han descongelado sin correr peligro si éstos todavía tienen cristales de hielo o si todavía están fríos—debajo de 40 °F (4 °C).

"...Las carnes molidas descongeladas, las aves y el pescado que tenga un color o un olor raro no debe de volver a congelarse ni comerse. El helado derretido debe tirarse. Si el olor o el color de cualquier alimento es malo o dudoso, deséchelo. Podría ser peligroso comerlo.

"Inclusive el descongelamiento parcial y el volver a congelar los alimentos reduce la calidad del alimento, especialmente de las frutas, verduras y comidas preparadas. La calidad del alimento de las carnes rojas se ve menos afectada que la de muchos otros alimentos. Use los alimentos que volvió a congelar tan pronto como sea posible para conservar al máximo la calidad del alimento."

- Si aún tuviera en casa su antiguo refrigerador, pero no se estuviera usando, quite las puertas. Esto reducirá la posibilidad de accidentes de los niños.
- No permita que los niños se suban, se paren o se cuelguen de las charolas en el refrigerador. Podría dañarse el refrigerador y causarles serias lesiones.
- Desconecte el refrigerador antes de limpiarlo o efectuar reparaciones. **NOTA:** Recomendamos enfáticamente encargar cualquier servicio a personal calificado.
- Antes de reponer un foco fundido desconecte el refrigerador o apague la electricidad al interruptor de circuitos o al tablero de fusibles para evitar el contacto con algún filamento vivo. (El foco fundido puede quebrarse al reemplazarlo). **NOTA:** El colocar el control en posición OFF (apagado) no quita la corriente del circuito de la luz.

SIGA ESTAS INSTRUCCIONES

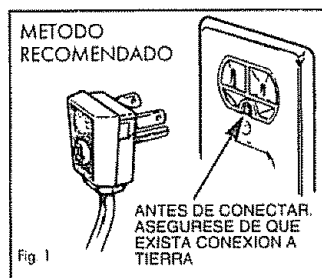
Conexión a tierra Importante—Por favor lea cuidadosamente.

Cómo conectar la electricidad

Para su seguridad personal, este aparato deberá conectarse debidamente a tierra.

El cable eléctrico de este aparato está equipado con una clavija de tres puntas (tierra) que enchufa en un contacto estándar de pared de tres salidas (tierra)

(Fig. 1) para reducir al mínimo la posibilidad de daños por un choque eléctrico con este aparato.



Haga que un electricista calificado verifique el enchufe de la pared y el circuito para asegurarse que la salida esté conectada debidamente a tierra

Donde se disponga sólo de un contacto de pared con salida para dos puntas, es su responsabilidad personal y su obligación reemplazarlo por un contacto adecuado para tres puntas con conexión a tierra.

BAJO NINGUNA CIRCUNSTANCIA DEBE CORTAR O QUITAR LA TERCERA PUNTA (TIERRA) DE LA CLAVIJA.

Funcionamiento del refrigerador

Uso de un adaptador

Debido a los accidentes potenciales relacionados con la seguridad que se pueden dar bajo determinadas circunstancias, recomendamos estrictamente no utilizar una clavija de adaptación. Sin embargo, si se decidiera usar un adaptador donde los códigos locales lo permitan, es necesario hacer una CONEXION TEMPORAL a un contacto de pared para dos puntas debidamente conectado a tierra utilizando un adaptador UL (Fig. 2), mismo que puede adquirirse en comercios locales especializados.

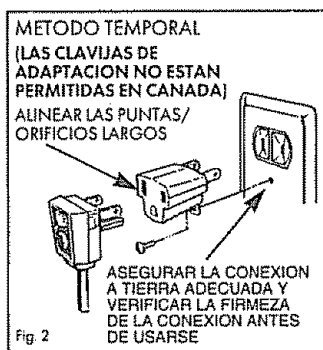
La punta más larga del adaptador se deberá alinear con la entrada larga del contacto con el fin de tener la polaridad adecuada en la conexión de la clavija.

PRECAUCION: La conexión de la terminal de tierra del adaptador a la salida del contacto de pared no

conecta el aparato a tierra, a no ser que el tornillo de la tapa sea de metal y no esté aislado y que el contacto de la pared esté conectado a tierra a través del cableado de la casa. Un electricista calificado deberá revisar el circuito para asegurarse de que el contacto esté debidamente conectado a tierra.

Al desconectar el cable del adaptador, deténgalo siempre con una mano tirando a la vez el cable eléctrico con la otra mano. Si no se hace, la terminal a tierra del adaptador se puede romper con uso repetido.

Si se rompiera la terminal a tierra del adaptador, NO USE el aparato hasta que se haya reestablecido la conexión a tierra de manera adecuada.



Uso de cables de extensión

Debido a los accidentes potenciales que pudieran ocurrir bajo determinadas condiciones, se recomienda estrictamente no usar cables de extensión. Sin embargo, si decidiera usarlos, es absolutamente necesario que sea del tipo UL trifilar para aparatos y cuente con una clavija con conexión a tierra y que el cable eléctrico sea de 15 amperios (mínimo) y 120 voltios.

Requerimientos eléctricos

El refrigerador deberá conectarse siempre en su propio contacto eléctrico individual que tenga un voltaje que vaya de acuerdo con tabla de clasificación.

Esto garantiza la mejor ejecución y evita la sobrecarga del circuito eléctrico de la casa y los daños a causa del sobrecalentamiento de los cables.

Ubicación

- Instale sobre un piso suficientemente firme para soportar un refrigerador completamente lleno.
- No instale el refrigerador donde las temperaturas rebasen los 60 °F (16 °C), ya que no podrá mantener las temperaturas adecuadas.
- Para bajar los gastos de electricidad, evite colocar el refrigerador cerca de la estufa o de algún radiador de calor, o dónde se brilla el sol directamente sobre el refrigerador.

Espacio libre

Se recomienda dejar suficiente espacio libre a fin de facilitar la instalación, permitir la adecuada circulación de aire y poder efectuar las conexiones eléctricas y de fontanería:

Laterales	3/4" (19 mm)
Parte superior	1" (25 mm)
Parte trasera	1" (25 mm)

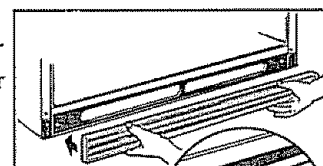
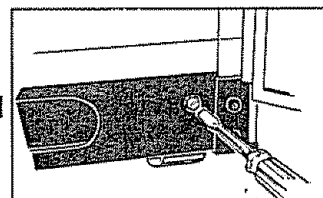
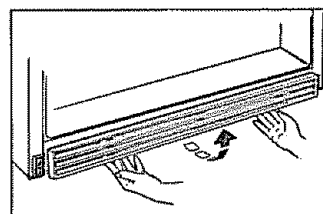
Para modelos con puertas profundas, deje un espacio de 1 1/2" (44 mm) por el lado de la bisagra si el refrigerador va a instalarse en contra de la pared

Nivelación

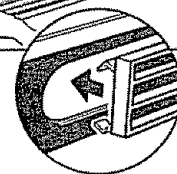
Algunos modelos tienen ruedas ajustables que le permiten mover el refrigerador de la pared para poder limpiar. Las ruedas deberían ser puestas de tal forma que el refrigerador esté colocado firmemente en el suelo y la parte de delante esté levantada lo suficiente para que las puertas puedan cerrarse fácilmente cuando esté medio abierto.

Para ajustar las ruedas:

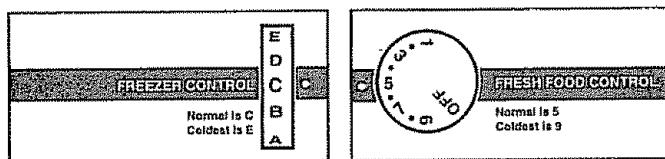
- Saque la rejilla de la base cogiendo la parte del fondo de la rejilla y estirándola hacia fuera.
- Gire las dos ruedas de delante ajustando los tornillos en **dirección a las manillas** del reloj para levantar el refrigerador, y en **dirección contraria a las manillas** del reloj para bajarlo. Use un destornillado de hoja. Las dos puertas deben cerrarse correctamente cuando la extremidad delantera inferior del compartimiento refrigerador esté aproximadamente 3/4" (19 mm) del suelo.



- **Para reemplazar la rejilla de la base,** alinee los clips de la rejilla con las aberturas del refrigerador y empuje la rejilla hacia delante hasta que encaje en su lugar.



Funcionamiento del refrigerador (pase)



Controles de temperatura

Dos controles le permiten controlar la temperatura en el compartimiento de alimentos frescos y el congelador.

Primero, ponga el control del congelador a "C" y el control de los alimentos frescos a "5."

Si se están ajustando los controles por primera vez o se está haciendo un ajuste posterior, deje transcurrir 24 horas para que se establezca la temperatura. Después, si desea temperaturas más frías o más altas en cualquiera de los dos compartimientos, ajuste los controles paso por paso.

NOTA: La colocación del control del compartimiento de alimentos frescos en OFF (apagado) interrumpe el enfriamiento en ambos compartimientos—el de alimentos frescos y el congelador—pero no apaga el refrigerador.

Cómo verificar las temperaturas:

Haga la prueba de la leche para el compartimiento de alimentos frescos. Para ello, coloque un recipiente con leche en el estante superior del compartimiento de alimentos frescos. Verifique al día siguiente. Si la leche está demasiado tibia o demasiado fría, ajuste los controles de la temperatura.

Haga la prueba del helado para el congelador.

Coloque un recipiente con helado en el centro del congelador. Verifique al día siguiente. Si está demasiado duro o demasiado suave, ajuste los controles de la temperatura.

¿Desea bajar en la noche el termostato por debajo de 60 °F (16 °C)? Usted puede ajustar el control del congelador un grado más frío, por ejemplo de "C" a "D." Las temperaturas más frías en la casa pueden hacer que el compresor trabaje con menor frecuencia y el congelador enfríe ligeramente menos.

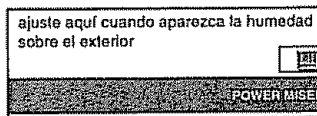
Para proteger sus alimentos congelados, deje el congelador en este grado más frío durante todo el invierno o durante el tiempo que mantenga el termostato ajustado en este grado más bajo.

El mover el control del congelador hacia un grado más frío no debería influir en el compartimiento de alimentos frescos. Sin embargo, si se congelara, ajuste el control de este compartimiento a un grado menos frío, por ejemplo de "5" a "4."

Al dejar de bajar el termostato, vuelva a ajustar los controles del refrigerador a sus posiciones habituales.

Interruptor para ahorrar electricidad

El interruptor para ahorrar electricidad está localizado en el panel de control de temperaturas.



Para reducir la cantidad de electricidad requerida para el funcionamiento del refrigerador, asegúrese de poner el interruptor para ahorrar electricidad a la izquierda. Esto apaga la unidad que previene la formación de humedad en el exterior del refrigerador o las superficies al exterior y al interior.

Si la humedad se forme sobre el exterior, ponga el Interruptor para ahorrar electricidad a la derecha. El calentador de vatiage bajo calentará el exterior del compartimiento y bajo la mayoría de circunstancias evitará la formación de humedad o gotas de agua.

Sugerencias para guardar alimentos

Consejos para guardar alimentos frescos

Para guardar carne, pescado y aves sin congelar:

- Quite siempre la envoltura original.
- Vuelva a empacar con aluminio, plástico o papel encerado y refrigere inmediatamente.

Para guardar queso, envuelva bien con papel encerado u hoja de aluminio o ponga en una bolsa de plástico.

- Envuelva bien para que salga el aire y así ayudar a evitar los hongos.
- Si lo desea, guarde el queso previamente empacado en su propia envoltura.

Para guardar vegetales, usar las gavetas para vegetales—han sido diseñadas para conservar la humedad natural y la frescura de los productos.

- Cubrir los vegetales con una toalla húmeda, ya que ayuda a conservarlos frescos y crujientes.
- Para contribuir más a la frescura, los vegetales previamente empacados se pueden almacenar en su envoltura original.

Tiempos propuestos para guardar alimentos

La calidad del alimento disminuye después de este tiempo	DIAS EN EL REFRIGERADOR	MESES EN EL CONGELADOR
	A 35-40 °F. (2-4 °C.)	A 0 °F. (-18 °C.)
Carnes frescas		
Asados (res y cordero)	3 a 5	6 a 12
Asados (puerco y ternera)	3 a 5	4 a 8
Filete (res)	3 a 5	6 a 12
Chuletas (cordero)	3 a 5	6 a 9
Chuletas (puerco)	3 a 5	3 a 4
Molida y estofado	1 a 2	3 a 4
Visceras	1 a 2	3 a 4
Salchicha (puerco)	1 a 2	1 a 2
Carnes procesadas		
Tocino	7	1
Salchichas vienas	7	1/2
Jamón (entero)	7	1 a 2
Jamón (mitad)	3 a 5	1 a 2
Jamón (rebanadas)	3	1 a 2
Carnes frías	3 a 5	no se
Salchicha (ahumada)	7	recomienda
Salchicha (seca o semiseca)	14 a 21	congelar
Carnes cocinadas		
Carnes cocinadas y		
plátanos de carne	3 a 4	2 a 3
Salsas y caldo de carne	1 a 2	2 a 3
Carne fresca de ave		
Pollo y pavo (entero)	1 a 2	12
Pollo (piezas)	1 a 2	9
Pavo (piezas)	1 a 2	6
Pollo y ganso (enteros)	1 a 2	6
Menudo de aves	1 a 2	3
Aves cocinadas		
Piezas (cubiertas con caldo)	1 a 2	6
Piezas (sin cubrir)	3 a 4	1
Plátanos con ave cocida	3 a 4	4 a 6
Pollo frito	3 a 4	4
(Otros que no sean carne o aves) CONGELADOR		
La mayoría de las frutas y vegetales		8-12 meses
Carne magra de pescado		6-8 meses
Carne grasosa de pescado, pan dulce y otros, sopas, guisados		2-3 meses
Pasteles, tartas, emparedados, restos (cocinados), helado (empaquete original)		máx 1 mes

Las carnes, los pescados y las aves comprados varían en cuanto a su calidad y su antigüedad, por lo que el almacenamiento adecuado en el refrigerador también varía. Para información sobre carne y aves llame al Departamento de Agricultura de los Estados Unidos a 800-535-4555.

Continuamente se desarrollan nuevas técnicas. Consulte el Servicio de Extensión del Condado (County Extension Service) o la Compañía de Luz y Fuerza local en relación a la información más reciente sobre cómo congelar y almacenar alimentos.

Consejos para congelar alimentos

1. Congele exclusivamente alimentos de la mejor calidad. Congelar conserva la calidad y el sabor, no puede mejorar la calidad.

2. Cuanto más pronto se congelen la fruta y la verdura después de cosecharse, mejor será el producto congelado. Ahorra tiempo también si tiene que seleccionar y desechar menos.

3. Use material de envoltura diseñado especialmente para congelar.

Para congelar helado—helado de calidad fina con alto contenido de crema normalmente requiere de temperaturas ligeramente más bajas que los tipos ya empacados más "oreados" con bajo contenido de crema.

- Será necesario experimentar para determinar la ubicación dentro del congelador y la temperatura necesaria para mantener el helado a la temperatura correcta para servirse.

- La parte trasera del congelador es ligeramente más fría que el frente.

Para congelar carne, pescado y pollo envuelva bien en papel aluminio especial para congelar (u otro material de envoltura de calidad pesada) moldeando con cuidado para seguir la forma del contenido. Esto expulsa el aire. Doble y meta los extremos del empaque para que selle bien.

No vuelva a congelar carne que ya haya sido descongelada completamente; la carne ya sea cocida o cruda sólo se puede congelar adecuadamente una vez.

Como comodidad...

- Guarde los artículos semejantes juntos. Esto ahorra tiempo y electricidad porque se pueden encontrar los alimentos más rápidamente.

- Coloque los artículos más viejos al frente para que se puedan usar con rapidez.

- Use los entrepaños o recipientes de la puerta para los artículos usados con más frecuencia.

Para ahorrar dinero en cuanto a los gastos de energía y de alimentos...

- Cubra los alimentos húmedos con tapaderas selladas, papel de plástico o aluminio.

- Los vegetales con hojas y las frutas colocados en las gavetas se quedarán frescos más tiempo cuando guardados en los contenedores de plástico o envueltos de papel de plástico.

- No sobrecargue los compartimientos de alimentos frescos o congelador con muchos alimentos calientes a la vez.

- Abra las puertas lo mínimo posible para ahorrar energía eléctrica.

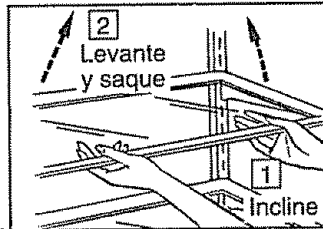
- Al salir por varios días, deje una cantidad mínima de alimentos perecederos dentro del refrigerador. Si su refrigerador viene equipado con una máquina de hacer hielo, ponga la varilla de contacto en la posición STOP' (PARADA—hacia arriba) y cierre el agua.

Entrepaños y gavetas para guardar

Entrepaños ajustables

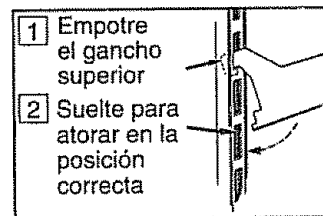
Los entrepaños de los compartimientos de alimentos frescos y congelador son ajustables y permiten acomodarlos eficientemente.

Para sacar los entrepaños: Ladee el entrepaño en la parte del frente, levántela y sáquela de las guías en la pared trasera del refrigerador.



Para volver a colocar los entrepaños:

Elija la altura adecuada para el entrepaño. Con el frente del entrepaño ligeramente elevado, introduzca los ganchos en las guías en la pared posterior del refrigerador. Suelte el frente del entrepaño hasta que quede en la posición correcta.



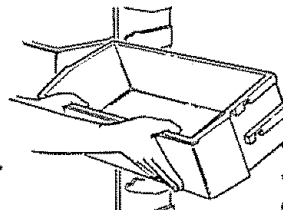
Los entrepaños de alambre (en algunos modelos) se ajustan de la misma forma.

Entrepaños de la puerta (en algunos modelos)

Los entrepaños en ambas puertas guardan a la mano los artículos usados con frecuencia.

Recipientes portátiles en las puertas (en algunos modelos)

Los recipientes portátiles ajustables situados en las puertas de los alimentos frescos y en las del congelador se pueden sacar del refrigerador y llevar al lugar donde vaya a preparar la comida.

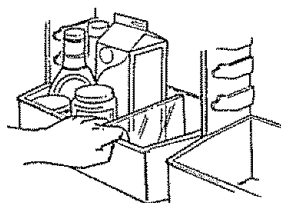


Para sacar: Saque los recipientes portátiles de los soportes tirando hacia delante hasta que salgan completamente de la puerta.

Para volver a poner: Elija la altura deseada del estante, enganche los recipientes en los soportes de la puerta, y deslícelos hacia dentro. Los recipientes portátiles encajarán en su lugar.

Separadores (en algunos modelos)

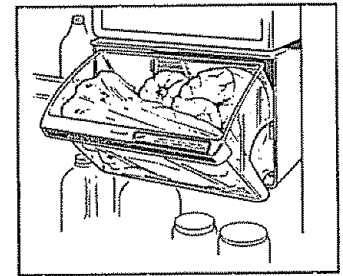
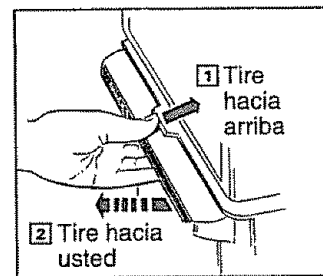
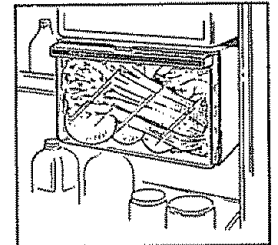
Los separadores ajustables han sido diseñados para darle flexibilidad de almacenaje en los recipientes portátiles y en los estantes de la puerta de los alimentos frescos. Artículos como por ejemplo, salsas para aliñar ensaladas, salsas para carne y otros condimentos, pueden mantenerse ahora seguros en la puerta, previniendo que se vuelquen, derramen o deslicen.



Coloque el dedo índice y el dedo medio en cualquier lado del separador por el frente, y simplemente muévalo hacia delante y hacia atrás para que se acomode a sus necesidades.

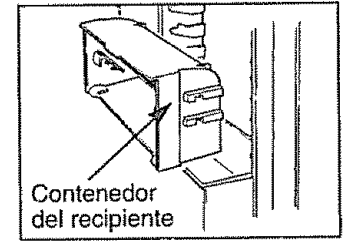
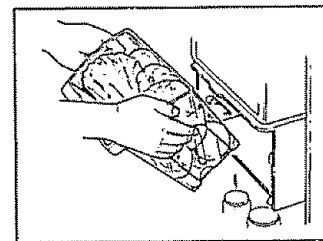
Recipiente removible (en algunos modelos)

Este recipiente removible puede colocarse en la puerta de los alimentos frescos o en la del congelador. Ha sido diseñado para que usted pueda almacenar de manera conveniente aquellos artículos que se usan habitualmente pero que no encajan en los recipientes portátiles, o para aquellos artículos que va a utilizar en seguida pero que requieren ser cubiertos para evitar que se sequen.



Para abrir, empuje el picaporte hacia arriba y tire la manilla del recipiente hacia usted.

Para evitar dañar el refrigerador, asegúrese que el recipiente esté cerrado y ajustado antes de cerrar la puerta del refrigerador.

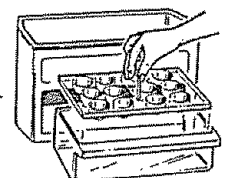


Para sacar el recipiente, tire hacia arriba y sáquelo de su lugar.

Para colocar la unidad del recipiente en otro lugar, levante el contenedor del recipiente hacia arriba y fuera de los soportes de la puerta, póngalo en el nuevo lugar deseado, situándolo en los soportes de la puerta. No tiene que sacar el recipiente del contenedor cuando coloque la unidad del recipiente en otro lugar.

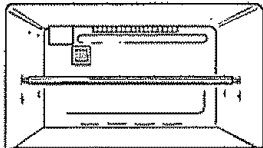
Recipiente para huevos/rotisería (en algunos modelos)

Este recipiente es bueno para guardar huevos o artículos de rotisería.

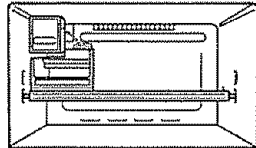


Entrepaño de posición doble para el congelador (en algunos modelos)

Para volver a colocar el entrepaño de posición doble dentro del congelador, levántelo un poco y muévalo hacia los lados para separar los bordes del entrepaño de los agujeros en la pared. Luego incline el entrepaño y muévalo. Para volver a instalar el entrepaño, primero introduzca una punta y luego la otra.



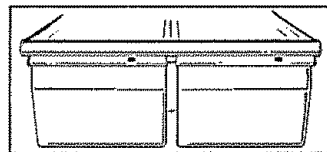
Para los modelos sin máquina de hacer hielo, el entrepaño se puede instalar en cualquiera de las dos posiciones.



Para los modelos con máquina de hacer hielo, el entrepaño se deberá instalar en la parte inferior.

Gaveta sellada (en algunos modelos)

Esta gaveta ha sido diseñada para mantener la frescura natural de alimentos sin envolver tales como:



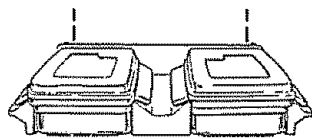
- Alcachofas
- Apio
- Arándanos
- Ciruelas
- Espárragos
- Espinacas
- Grosellas
- Guisantes
- Lechuga
- Maíz
- Moras
- Perejil
- Rábanos
- Remolacha sin tallos
- Ruibarbo
- Tomate maduro
- Verdura
- Zanahorias

Como en todas las áreas de almacenamiento refrigeradas, se recomienda conservar en envoltorio aquellos alimentos que despidan olor. Entre ellos:

- Brécol
- Cebolletas
- Coles de bruselas
- Col
- Coliflor
- Chirivías
- Nabos

Fuentes prácticas (en algunos modelos)

Se trata de las fuentes para cocinar, servir y almacenar con tapaderas durables transparentes que entran en una rejilla de la puerta del compartimiento de alimentos frescos o del compartimiento del congelador. Las fuentes se pueden sacar y volver a poner en la rejilla según las necesidades y la rejilla se puede colocar en cualquier puerta de la misma manera como los recipientes de arriba.



Las fuentes y sus tapaderas se pueden usar en hornos de microondas, refrigeradores, congeladores y lavaplatos. No se deben usar para cocinar alimentos con alto contenido de grasa como tocino ni con alto contenido de azúcar como caramelos y jarabes. Las altas temperaturas de la grasa y el azúcar pueden causar burbujas y deformaciones en el interior de las fuentes.

PRECAUCION: Las fuentes y sus tapaderas no han sido diseñadas para usarse sobre la estufa, en el asador o en hornos convencionales. Tal uso podría resultar peligroso.

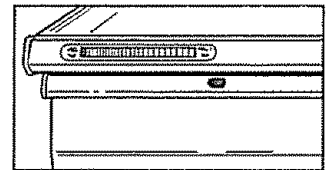
Gaveta (en algunos modelos)

Esta gaveta de refrigeración ha sido diseñada para proveer almacenamiento de baja humedad para alimentos tales como:

- Albaricoques
- Calabaza
- Champiñones
- Fresas
- Mandarinas
- Manzanas
- Melocotones
- Nectarinas
- Moras
- Peras
- Naranjas
- Uvas

Gavetas ajustables a la humedad (en algunos modelos)

Estas gavetas tienen controles para ajustar la humedad que le permiten regular la cantidad de aire frío que entra en las gavetas.



Ponga el control completamente en la posición VEG, y la gaveta proveerá la **alta humedad** recomendada para la mayoría de los vegetales.

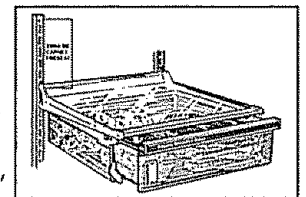
Ponga el control completamente en la posición FRUITS (frutas) para proveer los **niveles bajos** de humedad recomendados para la mayoría de las frutas.

Gaveta de carne con temperatura ajustable (en algunos modelos)

Esta gaveta ha sido diseñada para carnes frías, snacks, queso, tocino y aderezos para untar tan bien como para guardar carnes frescas que no quiere congelar. La gaveta es removible y puede sacarse y llevarse al fregadero o al lugar de preparación de la comida. Puede volver a colocarla, junto al entrepaño al cual se adjunta, en el compartimiento de alimentos frescos según sea conveniente para sus necesidades de almacenamiento.

Cuando la gaveta se coloca en uno de los 6 primeros espacios—empezando por el de arriba—del lado izquierdo,

y la palanca se pone en la posición COLDEST (frío máximo), aire proveniente del congelador es forzado a moverse alrededor de la gaveta para mantenerla muy fría.



La palanca de control del regulador de temperatura variable le permite regular la cantidad de aire frío alrededor de la gaveta.

Cuando la palanca está en la posición superior, el regulador que está encima de la apertura de la gaveta está totalmente abierto para proveer el máximo frío para guardar alimentos.

Cuando la palanca está en la posición inferior, el regulador está totalmente cerrado. Las temperaturas normales del refrigerador se mantendrán.

Puede seleccionar posiciones variables entre estos dos extremos.

Características

MAQUINA DE HACER HIELO O PROVISION PARA UNA

Si su refrigerador tiene una máquina de hacer hielo vea las instrucciones de operación. Si no la tiene, se puede añadir una. Un juego de accesorios para la máquina de hacer hielo automática se puede adquirir de su tienda de Sears o el Centro de servicio Sears.

ETIQUETA

La información que le gustaría saber está directamente sobre el refrigerador, incluso el cuidado cotidiano.

CONTROLES DE TEMPERATURA

Ponga el control del congelador en "C" y el control del compartimiento de alimentos frescos en "5." Se pueden necesitar ajustes después.

GAVETA PARA CARNE

La gaveta provee almacenamiento conveniente para carne que no quiere congelar tanto como snacks, carnes frías, tocino, queso y aderezos para untar. Un control de temperatura ajustable en algunos modelos le permite regular la cantidad de aire frío que rodea la gaveta.

NUMEROS DE MODELO Y SERIE

Se encontrarán los números aquí. Para mandar partes de reparación, vea la lista de partes que vino con su refrigerador, o lleve estos números a su Centro de servicio Sears el más cercano y le ayudará.

CHAROLAS DE HIELO FLEXIBLES

Tuerza ambos extremos de estas charolas y los cubos de hielo se vacían en un recipiente o los cubos se pueden sacar uno a la vez.

NO ES NECESARIO DESCONGELAR

No es necesario descongelar los compartimientos del congelador o de alimentos frescos. Su refrigerador está diseñado y equipado para descongelarse automáticamente.

ENTREPAÑOS AJUSTABLES DEL CONGELADOR

Soporte la cubitera al nivel correcto en los modelos equipados con máquina de hacer hielo, ponga en posición superior o inferior para más flexibilidad de almacenaje en modelos con charolas de hielo. Algunos modelos tienen entrepaños ajustables de anchura media, otros tienen un entrepaño de máxima anchura de dos posiciones.

INTERRUPTOR PARA AHORRAR ELECTRICIDAD

Reduce la cantidad de electricidad requerida para operar el refrigerador cuando empujado en la posición izquierda. Reduce o elimina la humedad en el exterior del refrigerador cuando empujado a la derecha.

RECIPIENTE

El recipiente de dos usos puede soportar dos docenas de huevos en sus envases de cartón, o almacena un surtido adicional de cubos de hielo en el congelador para ocasiones especiales.

RECIPIENTE PARA PRODUCTOS LACTEOS

La puerta se queda abierta mientras se usa el recipiente. Provee acceso fácil a los productos lácteos.

RECIPIENTES DE LA PUERTA

(en algunos modelos) Los recipientes removibles de la puerta guardan los artículos usados con frecuencia al alcance.

ENTREPAÑOS DE LA PUERTA

(en algunos modelos) Los entrepaños de ambas puertas guardan los artículos usados con frecuencia al alcance.

SEPARADOR

(en algunos modelos) Múevalo dónde necesario sobre los recipientes de la puerta para guardar los artículos pequeños tales como botellas y tarros para que no se vuelquen, se derramen o se deslicen.

ENTREPAÑOS AJUSTABLES DEL REFRIGERADOR

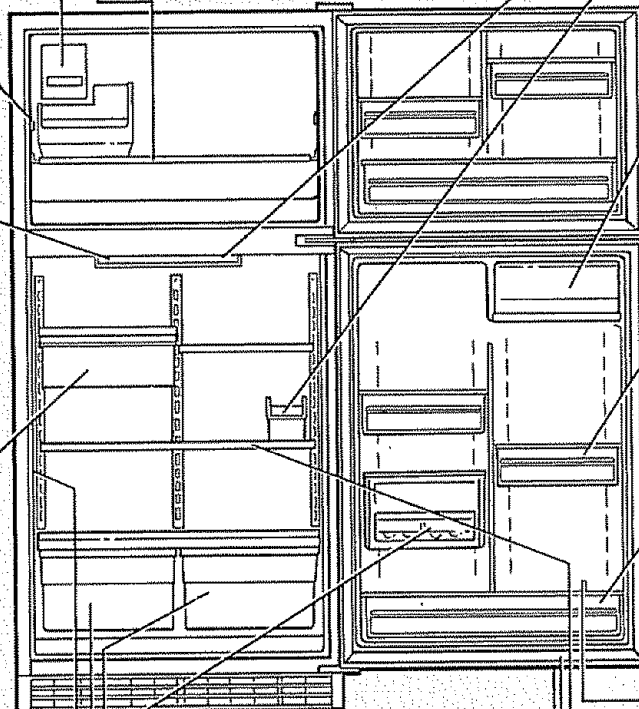
Los entrepaños le permiten regular y reorganizar el interior de su refrigerador para convenir a sus necesidades cambiantes de almacenamiento.

JUNTAS MAGNÉTICAS DE LA PUERTA

Las puertas se cierran silenciosamente, y las juntas sellan herméticamente cuando el refrigerador está nivelado—vea la sección "Funcionamiento del refrigerador."

PUERTAS TEXTURADAS DE ACERO

Toque las puertas texturadas; no se mostrarán las huellas digitales.



RECIPIENTE PARA HUEVOS/ ROTISERIA

(en algunos modelos) Este recipiente es bueno para guardar huevos o artículos de rotisería.

GAVETA

(en algunos modelos) Esta gaveta sellada ha sido diseñada para permitir un flujo de aire más frío para proveer niveles de humedad bajas para la mayoría de las frutas. Un control de humedad ajustable, en modelos que tienen uno, le permite regular la cantidad de aire frío que entra en la gaveta.

GAVETA SELLADA

(en algunos modelos) La gaveta izquierda está sellada para mantener niveles de humedad más altas para alimentos sin envase y la mayoría de vegetales. Un control de humedad ajustable en algunos modelos le permite regular la cantidad de aire frío que entra en la gaveta.

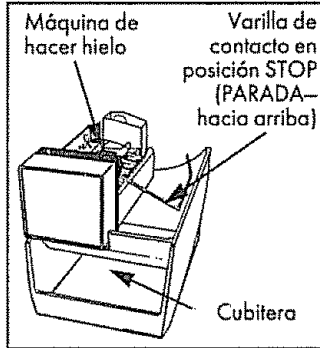
Servicio de hielo

Máquina automática de hacer hielo (en algunos modelos)

Un refrigerador recién instalado puede tardar entre 8 y 12 horas antes de empezar a hacer hielo.

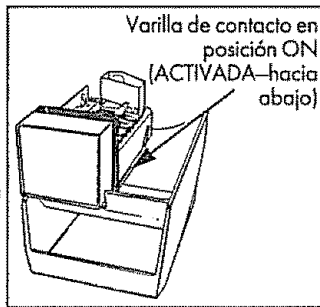
La máquina de hacer hielo producirá

ocho cubos por ciclo—aproximadamente 100 cubos en un período de 24 horas, dependiendo de la temperatura del compartimiento del congelador, de la temperatura ambiente, del número de veces que abra la puerta y otras condiciones de uso.



Si su refrigerador se hace funcionar antes que se le haya hecho la conexión del agua a la máquina de hacer hielo, mantenga la varilla de contacto en la posición STOP (PARADA—hacia arriba).

Cuando el refrigerador haya sido conectado al suministro de agua, ponga la varilla de contacto en la posición ON (ACTIVADA—hacia abajo).



Cuando la máquina de hacer hielo se está enfriando antes de la congelación, se llenará de agua. Un refrigerador recién instalado puede tardar entre 8 y 12 horas antes de empezar a hacer cubos de hielo.

Tire los primeros trozos de hielo. Esto permitirá que se limpien las impurezas en la corriente de agua.

La fabricación de cubos de hielo continuará hasta que la varilla de contacto note que hay una acumulación suficiente de cubos en el recipiente de almacenamiento, parando entonces la operación temporalmente. Para utilizar al máximo el almacenamiento de hielo, nivele los cubos almacenados con la mano ocasionalmente. Asegúrese de que nada interfiera con el vaivén de la varilla de contacto.

La máquina de hacer hielo saca cubos en grupos de a ocho y es normal que a veces varios cubos se adhieran entre sí.

Ponga la varilla de contacto en la posición STOP (PARADA—hacia arriba) cuando:

- el suministro de agua de su casa va a estar parado durante unas horas.
- el recipiente de almacenamiento de hielo va a ser sacado durante un período de tiempo.
- cuando se vaya de vacaciones—entonces también debe apagar la válvula de suministro de agua del refrigerador.

· cuando se sitúa el control de temperatura del compartimiento de los alimentos frescos en la posición OFF (apagado).

Si los cubos de hielo no se usan frecuentemente, los cubos viejos se volverán oscuros y tendrán un gusto rancio. Vacíe el recipiente de almacenamiento de hielo periódicamente y límpielo en agua tibia. Asegúrese que el recipiente de almacenamiento se seque antes de volver a ponerlo—sino los cubos podrían pegarse a otras partes de la máquina de hielo.

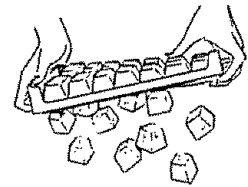
Si ésta es su primera máquina de hacer hielo, oírá ruidos ocasionales que le pueden resultar poco familiares. Son ruidos normales de la máquina de hacer hielo y no lo deberían preocupar.

Charolas de hielo

(en modelos sin máquina de hacer hielo automática)

Para soltar los cubos de hielo, invierta la charola, sosténgala sobre un recipiente, y tuérzala en ambos extremos.

Para sacar solamente uno o dos cubos de hielo, deje la charola hacia arriba, tuerza ligeramente ambos extremos y saque el número deseado de cubos.



Lave las charolas de hielo sólo con agua tibia. No las coloque en una máquina lavaplatos.

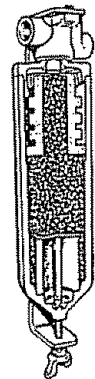
Juego de accesorios para la máquina de hacer hielo (opcional a un costo adicional)

Si su refrigerador no venía ya equipado con una máquina de hacer hielo automática, se puede añadir una—contacte su tienda de Sears o su Centro de servicio Sears.

Accesorio para el filtro de agua (opcional a un costo adicional)

Sus cubos de hielo sólo pueden tener un sabor tan fresco como el agua que los produce. Esa es la razón por la que es una buena idea purificar el agua con un filtro.

Su filtro de agua es opcional a un costo adicional y se puede obtener en el Centro de servicio Sears. Pida el Filtro No. 978488 y se puede instalar en pocos minutos conectándolo a la conexión del tubo de admisión de agua.



Juego de suministro de agua (opcional a un costo adicional)

Un juego que contiene tubería de cobre, las conexiones para la válvula de cierre y las instrucciones necesarias para conectar la máquina de hacer hielo con una línea de agua fría se puede adquirir en su tienda de Sears o su Centro de servicio Sears.

Servicio de hielo (pase)

Requerimientos para la instalación de la tubería de agua



Se necesitarán una llave de paso, dos tuercas de compresión con diámetro exterior de 1/4", dos férulas de compresión y bastante tubo de cobre de 1/4" (diám. ext.) para conectar el refrigerador al suministro de agua. (Su tienda de Sears o su Oficina de venta de catálogos tiene un juego disponible con una llave de paso de tipo campana y tubo de cobre. Antes de comprarlo, asegúrese de que la llave de paso de tipo campana se ajuste a las normas vigentes en materia de plomería.)

PRECAUCION: No instale el tubo de la máquina de hacer hielo en sitios en donde la temperatura pudiera descender por debajo del punto de congelación.

1. Encuentre un tubo de agua FRIA vertical de 3/8" (10 mm) a 1" (25 mm) cerca del refrigerador. Si fuera necesario colocarla en un tubo horizontal, haga la conexión en la parte superior o lateral, en vez de la inferior, para evitar la extracción de sedimentos presentes en el tubo.

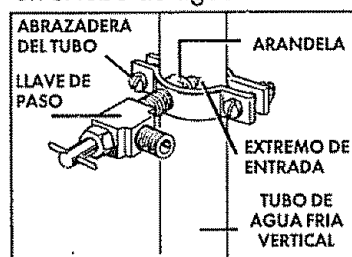
2. Mida de la ENTRADA de detrás de refrigerador al tubo de agua. Añada 7' (2 m) para permitir distanciar el refrigerador de la pared para la limpieza. Este es el largo de tubo de cobre de 1/4" (diám. ext.) que se necesitará (largo de la válvula de agua al tubo de agua MAS 7' [2 m]). Asegúrese de que ambos extremos del tubo estén cortados a precisión.

3. Cierre el suministro de agua principal. Abra el grifo más cercano durante el tiempo suficiente para despejar la tubería de agua.

PRECAUCION: Cuando utilice un aparato eléctrico (como, por ejemplo, un taladro mecánico) durante la instalación, asegúrese de que dicho aparato esté eléctricamente aislado o que sus componentes estén dispuestos de tal manera que no exista peligro de que se produzcan descargas eléctricas.

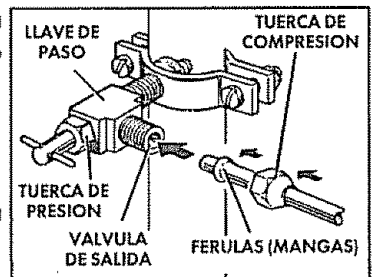
4. Usando un taladro mecánico con conexión a tierra, haga un agujero de 3/16" en el tubo de agua fría vertical que seleccionó.

5. Una la llave de paso al tubo de agua fría con la abrazadera del tubo. Asegúrese de que el extremo de la entrada se quede sólidamente en el agujero de 3/16" hecho con un taladro en el tubo de agua y que la arandela esté debajo de la abrazadera del tubo.



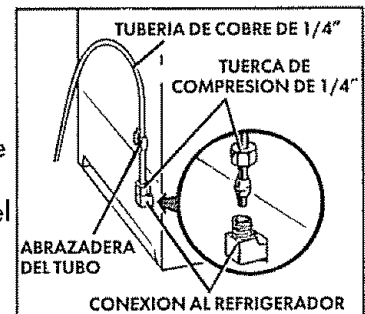
Apriete bien la tuerca de presión. Apriete bien e igualmente los tornillos de la abrazadera del tubo para que la arandela haga una conexión hermética. No apriete demasiado pues podría quebrar el tubo de cobre, especialmente si se usa el tubo de cobre blando. Ahora se puede conectar el tubo de cobre.

6. Deslice la férula y tuerca de compresión sobre el tubo de cobre como ilustrado. Introduzca precisamente el extremo del tubo de cobre en el extremo de salida tan lejos que posible. Atornille la tuerca de compresión a la salida con una llave inglesa



ajutable. No apriete demasiado. ABRA el suministro de agua principal durante el tiempo suficiente para despejar la tubería del agua. CIERRE la llave de paso del tubo de agua. Ahora se puede conectar el otro extremo del tubo de cobre de 1/4" a la llave de paso de detrás del refrigerador.

7. La válvula de agua (incluso en el juego de máquina de hacer hielo, si ya no viene equipada en su modelo) tiene un empalme de compresión saliendo por el panel del compartimiento del compresor detrás del refrigerador. Reúna la tuerca de compresión como ilustrado. Introduzca el extremo del tubo en el conector y apriete la tuerca de compresión.



Asegúrese de que el extremo del tubo esté precisamente en el conector y esté introducido tan lejos que posible. No apriete demasiado. Asegúrese de que haya suficiente tubo adicional (doblado en forma de una gran espiral en 3 vueltas de eso de 10" [25 cm] de diámetro) para permitir distanciar el refrigerador de la pared después de instalación. Sujete el tubo en la abrazadera de metal en la esquina derecha superior del panel del compartimiento del compresor.

8. ABRA la llave de paso. APRIETE TODAS LAS CONEXIONES O TUERCAS QUE TENGAN FUGAS DE AGUA.

9. El tubo de cobre se puede sujetarse ahora al tablero de pared.

10. Sus cubos de hielo sólo pueden tener un sabor tan fresco como el agua que los produce. Esa es la razón por la que es una buena idea purificar su agua con un filtro. Su filtro de agua es opcional a costo adicional y se puede obtener del Centro de servicio Sears. Pida el Filtro No. 978488 y instálelo en la conexión de entrada del tubo de agua.

11. Limitaciones de presión de agua: No menos de (15 P.S.I.) o más de (125 P.S.I.). Si ocurre un problema, llame a su Servicio público.

IMPORTANTE: Se puede tomar hasta 24 antes de que la máquina de hacer hielo empiece a producir hielo. Se debe tirar los primeros trozos de hielo, para que se limpien las impurezas en la corriente de agua.

Cuidado y limpieza

Exterior

Las manijas de la puerta y los ornamentos se pueden limpiar con un paño empapado con una solución de detergente suave y agua. Seque con un trapo limpio. No use cera en las manijas de la puerta ni en los ornamentos.

Mantenga limpio el terminado. Limpie con un paño limpio ligeramente humedecido con cera para aparatos de cocina o un detergente suave y agua. Seque y pule con un paño limpio y suave. No limpie el refrigerador con un trapo sucio para trastes ni con una toalla húmeda. Estos podrían dejar residuos que afecten a la pintura. No use fibra, limpiadores en polvo, blanqueadores ni limpiadores que contengan blanqueador, ya que estos productos podrían rayar y desprender el terminado de pintura.

Proteja el terminado de pintura. El terminado del exterior del refrigerador es un terminado de pintura horneada de alta calidad. Con el cuidado adecuado conservará su apariencia nueva y libre de óxido durante muchos años. Aplique una capa de cera de cocina/aparatos mientras el aparato sea nuevo y posteriormente por lo menos 2 veces al año.

Interior

El interior del compartimiento de alimentos frescos y del congelador se deberá de limpiar por lo menos una vez al año. Desconecte el refrigerador antes de limpiarlo. Si no fuera posible, exprima el exceso de humedad de la esponja o del trapo cuando se limpie alrededor de interruptores, focos o controles.

Use agua caliente y una solución de bicarbonato de sodio—aproximadamente una cucharada (15 ml) de bicarbonato de sodio por cada cuarto (1 l) de agua. Esta solución limpia y neutraliza olores. Enjuague completamente con agua y seque.

Otras partes del refrigerador, incluyendo los empaques de la puerta, los cajones para vegetales y carne, el recipiente para el almacenamiento de hielo y todas las partes de plástico, se pueden limpiar de la misma manera. Después de limpiar los empaques de la puerta, aplique una capa delgada de petrolato del lado de la bisagra. Esto ayuda a evitar que los empaques se doblen o se peguen.

Evite limpiar los entrepaños de vidrio fríos con agua caliente, ya que la extrema diferencia de temperatura puede hacer que se quiebren.

Para evitar olores, deje una caja abierta de bicarbonato en la parte posterior del refrigerador en el entrepaño superior. Cambie la caja cada 3 meses. Una caja abierta de bicarbonato de sodio en el congelador absorbe los olores rancios del congelador.

No lave partes plásticas del refrigerador en el lavaplatos.

Atrás del refrigerador

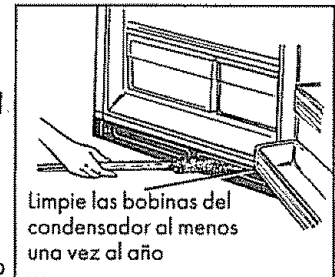
Se deberá tener cuidado al retirar el refrigerador de la pared. Todos los tipos de recubrimiento de pisos se pueden dañar, sobre todo los recubrimientos acojinados y los que tienen superficies repujadas. Jale el refrigerador en forma recta y empuje nuevamente para devolverlo a su posición. El mover el refrigerador en dirección lateral puede causar daños al recubrimiento del piso o al refrigerador.

Al empujar el refrigerador a su lugar, asegúrese de no pasar sobre el cable eléctrico ni sobre la línea de alimentación de la máquina de hacer hielo.

Debajo del refrigerador

El condensador se encuentra detrás de la rejilla de la base. Para la operación más eficiente, usted necesita mantener limpio el condensador. Ponga el control de temperatura en OFF (apagado). Quite la rejilla de la base. Barra o pase el aspirador sobre el polvo inmediatamente accesible

sobre las bobinas del condensador, entonces vuelva a encender el control. Para obtener los mejores resultados, use un cepillo para este propósito. Puede adquirir uno en la tienda de Sears o el Centro de servicio Sears. Esta manera fácil de limpiar deberá hacerse una vez al año.

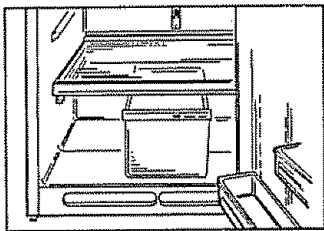
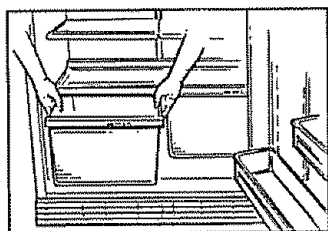


Cuidado y limpieza (pase)

Gavetas para guardar

Las gavetas al fondo del compartimiento de alimentos frescos se detendrán antes de salir por completo del refrigerador para evitar que su contenido se derrame en el piso. Las gavetas pueden ser sacadas con facilidad inclinando los lados ligeramente mientras jalándolas hasta pasar el "tope."

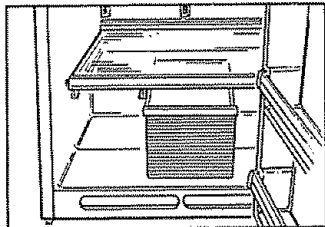
Para sacar las gavetas cuando la puerta del compartimiento de alimentos frescos no puede ser abierta por completo:



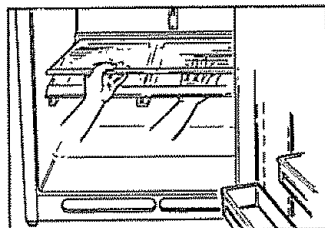
1. Saque la gaveta que está más alejada de la puerta.

2. Saque la otra gaveta.

En modelos con un **entrepaño inferior** que bloquea la otra gaveta, deslice la otra gaveta hacia el centro y retírela.

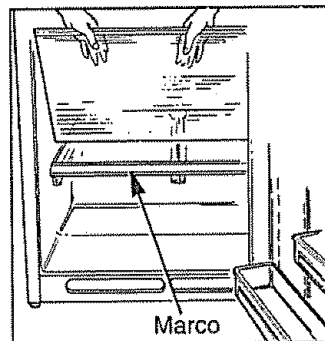


3. Saque la cubierta de cristal. Ponga la mano por dentro, empuje la parte de delante de la cubierta de cristal hacia arriba y, al mismo tiempo, estírela hacia delante tanto como pueda. Inclínela y sáquela.



4. Saque el marco de la gaveta. (Siempre saque la cubierta de cristal antes de sacar el marco de la gaveta.)

Saque el marco de los soportes levantándolo por cada lado y por detrás, estire hacia delante, inclínelo y sáquelo.



Para volver a colocar:

1. Baje el marco hasta que éste descance en los soportes a cada lado y atrás.

2. Vuelva a colocar las gavetas.

Si usted sacó el deslizador por donde se pone la gaveta, vuelva a colocarla con el extremo inclinado en el frente.

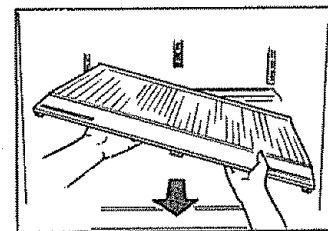
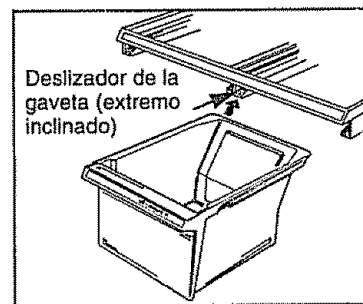
- a. Deslice un lado de la gaveta por el deslizador.
- b. Coloque el deslizador y la gaveta completamente hacia el lado de la bisagra hasta que el otro lado de la gaveta descance sobre el marco.
- c. Deslice la otra gaveta hasta colocarla en su lugar.

3. Vuelva a colocar la cubierta de cristal, empujando el extremo trasero firmemente hacia la ranura del marco trasero y suavemente bajando el frente hasta colocarlo en su lugar.

Gavetas con cubierta de plástico

Para sacar las gavetas, levante la parte de delante ligeramente y tire la gaveta hacia delante.

Para sacar la cubierta, sopórtela con una mano, inclínela y sáquela.



Cambio de foco

Desenchufe el refrigerador antes de cambiar un foco.

Compartimiento de alimentos frescos. Un foco de fácil acceso está en la parte superior del compartimiento de alimentos frescos en la parte delantera, al centro. Reemplácelo con un foco del mismo tamaño y del mismo tipo.

Compartimiento del congelador. Algunos modelos también tienen un foco en la esquina derecha de arriba del compartimiento del congelador, detrás de una pantalla flexible de luz. Reemplácelo con un foco del mismo tamaño y del mismo tipo.

Preparación para vacaciones

En el caso de vacaciones o ausencias prolongadas, desconecte el refrigerador, mueva el control del compartimiento de alimentos frescos a la posición "OFF" (apagado) y limpie el interior con solución de bicarbonato de una cucharada (15 ml) de bicarbonato por un cuarto (1 L) de agua. Séquelo. Para evitar olores, deje abierta la caja de bicarbonato dentro del refrigerador. Deje abiertas las puertas.

Para las vacaciones más cortas, saque los alimentos perecederos y deje los controles en los ajustes habituales. Sin embargo, si se espera que la temperatura ambiente baje a menos de 55 °F (13 °C), siga las mismas instrucciones que se ofrecen para períodos largos de vacaciones.

Si su refrigerador tiene una máquina de hacer hielo, mueva la varilla de contacto a la posición STOP (PARADA—hacia arriba). Asegúrese de desconectar el suministro de agua al refrigerador.

En caso de mudanza

Desconecte el cable de la corriente del contacto en la pared. Saque todos los alimentos y limpie y seque el interior.

Asegure todos los elementos sueltos como entrepaños y gavetas pegándolos con cinta adhesiva en su lugar para evitar daños.

Asegúrese de que el refrigerador se coloque en *posición vertical* durante la mudanza y en el camión. En el camión es necesario asegurarlo para evitar movimiento. Proteja su exterior con una sábana.

Consejos para ahorrar energía

- No abra las puertas más que lo necesario.
- Cierre las puertas lo más pronto posible, sobre todo en climas calurosos y húmedos.
- Guarde el Interruptor para ahorrar energía en la posición izquierda al menos que la humedad se forme sobre el compartimiento durante los períodos calientes con alto grado de humedad.
- Asegúrese de cerrar las puertas con cuidado. Antes de salir de la casa o de retirarse por la noche verifique que las puertas no se hayan quedado abiertas por descuido.
- Almacene sólo los alimentos que se necesitan refrigerar en su refrigerador.
- Limpie la humedad de las botellas y envases de cartón antes de ponerlos en el refrigerador.
- Mantenga la comida cubierta para reducir la formación de humedad dentro del refrigerador.
- Si ponga los controles en la posición más fría para un enfriamiento o congelación rápida, asegúrese de volver a ponerlos en el ajuste normal.
- No sobrecargue su refrigerador. El sobrecargo puede requerir energía eléctrica adicional para guardar fríos los alimentos.

Antes de llamar el servicio

Ahorre tiempo y dinero. Revise esta lista de problemas de operación menores que usted mismo puede corregir.

El refrigerador no funciona

- Puede estar en el ciclo de descongelar cuando el motor no opera durante 35 minutos.
- El control de la temperatura está en posición OFF (apagado).
- Si no se enciende la luz interior, posiblemente el refrigerador no esté conectado al contacto de la pared.
- Si la clavija está conectada y el refrigerador sigue sin operar, conecte una lámpara o algún otro aparato pequeño en el mismo contacto para determinar si hay un falso contacto o algún fusible fundido.

El motor opera durante períodos prolongados

- Los refrigeradores modernos con gran espacio de almacenamiento y un congelador más grande requieren de más tiempo de operación.
- Es normal si el refrigerador es recién instalado—normalmente requiere de 24 horas para enfriarse.
- Hay grandes cantidades de alimentos en el refrigerador que requieren ser enfriados o congelados.
- Clima caluroso—aperturas frecuente de la puerta del refrigerador.
- Se dejó la puerta abierta.
- Los controles de temperatura están ajustados a demasiado frío.
- El condensador requiere de limpieza.
- Revise la sección sobre Consejos para ahorrar energía.

El motor arranca y para con frecuencia

- El control de temperatura arranca y para el motor para mantener temperaturas uniformes. Esto es normal.

Vibración o ruido

- Si el refrigerador produce vibraciones, es más que probable que no descansa firmemente en el suelo. Será necesario ajustar los tornillos de las ruedas delanteras o el suelo es débil o desigual.
- Si los platos o cazuelas vibran en los entrepaños, intente moverlos. Es normal una ligera vibración.

Sonidos de la operación

- El motor del compresor de alta velocidad necesario para mantener las temperaturas cerca de 0 °F (-18 °C) en el compartimiento grande del congelador puede producir niveles de sonido más altos que los de su refrigerador anciano.
- Flujo de aire normal—un ventilador mueve el aire frío por los compartimientos del refrigerador y del congelador—otro ventilador enfría el motor del compresor.
- Estos sonidos NORMALES se oirán de vez en cuando.
 - El control de tiempo de descongelamiento produce un ligero sonido durante el descongelamiento.
 - El goteo de agua de descongelamiento.
 - El control de temperatura produce un ligero sonido al encenderse o apagarse.
 - El flujo de refrigerante hirviendo o burbujeando.
 - Las espirales de refrigeración crujen o truenan a causa de la expansión o la contracción durante el descongelamiento y la refrigeración después del descongelamiento.
 - El sonido de los cubos de hielo cayendo a la cubitera y el flujo del agua en las tuberías para llenar la máquina de hacer hielo.

Sale aire caliente de la base del refrigerador

- La circulación de aire normal está enfriando el motor. En el proceso de refrigeración es normal que el calor sea expulsado por debajo del refrigerador. Algunos suelos se decoloran a estas temperaturas normales y seguras. Consulte con el vendedor de suelo si le preocupa la decoloración.

Antes de llamar el servicio (pase)

Los alimentos se resecan

- Los alimentos no están bien tapados, envueltos o en recipientes herméticos.

La temperatura del compartimiento de alimentos frescos o del congelador es demasiado elevada

- El control de la temperatura no está puesto a una temperatura suficientemente fría.
- El tiempo es caluroso; se abre la puerta con frecuencia.
- Se ha dejado la puerta abierta largo rato, o quizás algún paquete impide que se cierre bien la puerta o bloquea el conducto de aire en el congelador.

Escarcha de hielo en los alimentos congelados

- La puerta está entreabierta o algún paquete impide que se cierre bien la puerta.
- La puerta se abre con demasiada frecuencia o durante ratos demasiado largos.
- Es normal que haya escarcha en el interior del paquete.

Los cubos son demasiado pequeños

- Quizás se haya dejado la puerta abierta.
- Baje la temperatura del congelador.

Los cubos saben o huelen mal

- Es necesario desechar los cubos viejos. Vacíe la cubitera cada 30 días.
- Necesita vaciar y limpiar la cubitera.
- Los paquetes no herméticos en el compartimiento del refrigerador o del congelador pueden transmitir el mal sabor u olor a los cubos.
- Limpie el interior del refrigerador.

La máquina automática de hacer hielo no funciona

- La varilla de contacto está en la posición STOP (PARADA—hacia arriba).
- Se ha cortado o desconectado el suministro de agua.
- El compartimiento del congelador está demasiado caliente.
- Los cubos son demasiado pequeños—la válvula de cierre del agua que conecta el refrigerador con el suministro de agua de la casa puede estar atascada.
- A veces los cubos se adhieren al lado de la charola de hielo y mantienen la varilla de contacto en posición STOP (PARADA—hacia arriba). Quite este hielo para volver a poner la máquina de hacer hielo en funcionamiento.
- Los cubos amontonados en la cubitera han hecho que la máquina de hacer hielo se detenga antes de tiempo. Con la varilla de contacto en posición STOP (PARADA—hacia arriba) ponga los cubos a nivel con la mano.
- Al tomar los cubos con la mano, podría ser que se haya puesto la varilla de contacto en posición STOP (PARADA—hacia arriba) como error.

Formación de humedad en el exterior del refrigerador

- No es extraño en períodos de alta humedad.
- Mueva el Interruptor para ahorrar energía a la derecha.

El interior está húmedo

- La puerta se abre con demasiada frecuencia o durante ratos demasiado largos.
- Cuando hay mucha humedad ambiental, el aire hace penetrar la humedad en el refrigerador al abrirse la puerta.

El refrigerador huele

- Los alimentos que despiden un fuerte olor deben estar bien tapados.
- Compruebe si algún alimento está en mal estado.
- Necesita limpiar el interior.
- Mantenga una caja abierta de bicarbonato sódico en el refrigerador. Cámbiela cada tres meses.

No funciona la luz interior

- No hay corriente en el contacto.
- Hay que cambiar el foco.

Para cambiar el modo de apertura de la puerta

Su refrigerador tiene puertas reversibles para que el modo de apertura de la puerta se pueda cambiar según sus necesidades. Estas instrucciones son para cambiar las bisagras del lado derecho al lado izquierdo. Si usted quiere volver a poner las bisagras de nuevo en el lado derecho, siga las mismas instrucciones (simplemente cambie todas las referencias a izquierda y derecha).

- Lea las instrucciones por completo antes de empezar.
- Maneje las partes con cuidado para evitar rasgar la pintura.
- Sitúe los tornillos cerca de las partes que correspondan para evitar utilizarlos en un lugar incorrecto.
- Provea un lugar de trabajo apropiado para que las puertas no se rasquen.
- **PRECAUCION:** No deje que ninguna de las puertas se caiga al suelo. Si esto ocurriera el freno de la puerta podría dañarse.

Herramientas necesarias

- Destornillador T20 o T25
- Enchufe y trinquete de 3/8" (se recomienda un enchufe de 6 salidas)
- Cinta para cubrir (aislante)
- Destornillador Phillips
- Cuchillo de enmasillar o destornillador de hoja delgada (la extremidad de la herramienta debe estar cubierta con cinta para evitar rasgar la pintura).

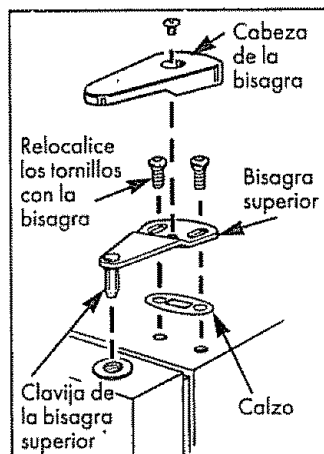
Saque las puertas

Paso 1—General

- (a) Desenchufe el refrigerador de su toma de corriente.
- (b) Vacíe los entrepaños de las puertas, incluyendo la gaveta práctica y la mantequera.

Paso 2—Saque la puerta del congelador

- (a) Ponga cinta aislante alrededor de donde se cierra la puerta.
- (b) Con un destornillador Phillips, saque la cabeza de la bisagra. Con un destornillador, saque los dos tornillos que aguantan la bisagra superior del compartimiento.
- (c) Levante la bisagra hacia arriba para liberar la clavija de la bisagra del encaje en la parte superior de la puerta.

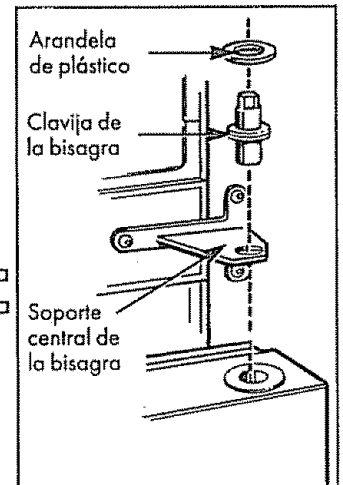


(d) Saque la cinta aislante, incline la puerta hacia usted y levántela para liberar el encaje inferior de la clavija de la bisagra en el soporte central de la bisagra.

(e) Sitúe la puerta en una superficie adecuada para que no se rasque, con la parte exterior hacia arriba.

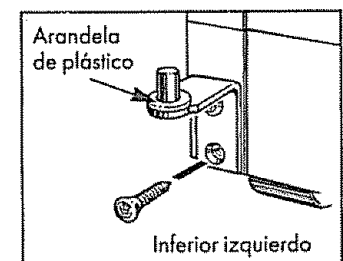
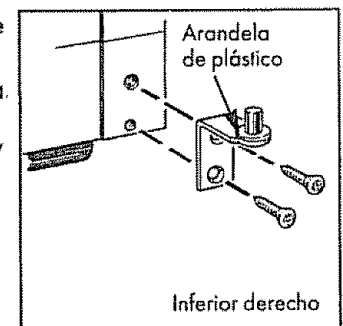
Paso 3—Saque la puerta de los alimentos frescos

- (a) Ponga cinta aislante alrededor de donde se cierra la puerta.
- (b) Saque la clavija de la bisagra con un enchufe y trinquete de 3/8".
- (c) Saque la cinta aislante e incline la puerta para sacarla del compartimiento. Saque la arandela de la clavija de la bisagra y guárdela.
- (d) Levante la puerta hacia arriba para liberar el encaje inferior de la clavija de la bisagra en el soporte inferior de la bisagra.

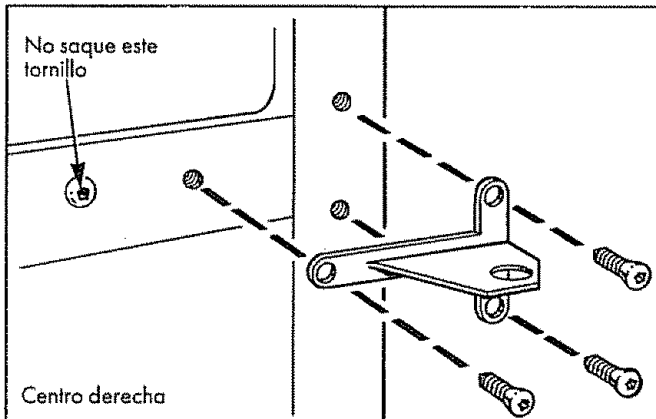


Transfiera el soporte de la bisagra inferior

- (a) Saque la rejilla de la base (vea la página 41). Agárrela por el fondo y tire hacia fuera.
- (b) Usando un destornillador, saque el soporte de la bisagra y la arandela de plástico del lado inferior derecho del compartimiento.
- (c) Vuelva a instalar el soporte de la bisagra y la arandela de plástico en el lado inferior izquierdo del compartimiento.

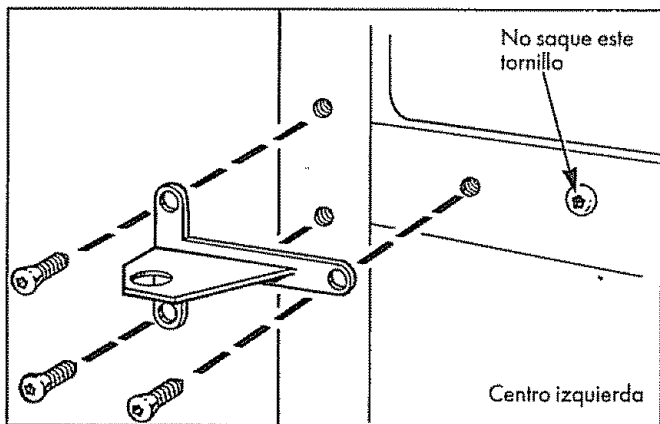


Transfiera el soporte central de la bisagra



(a) Saque el soporte de la bisagra de la parte central del compartimiento sacando los tres tornillos más exteriores. **NOTA:** Guarde estos tornillos con el soporte de la bisagra. Estos tornillos son más largos y se usarán al instalar la bisagra del otro lado.

(b) Saque los tres tornillos más exteriores de la parte **central izquierda** del compartimiento. Atorníllelos en los orificios del lado derecho descubiertos en el Paso (a) arriba.

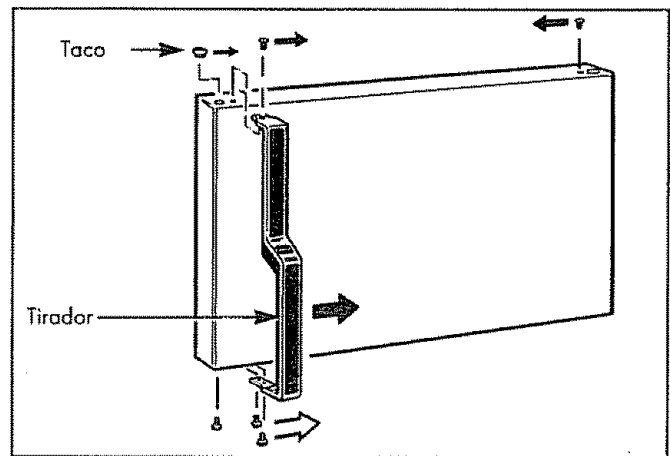


(c) Ponga la cabeza del soporte central de la bisagra en los orificios en la parte central izquierda del compartimiento, inserte los tres tornillos que sacó con el soporte central de la bisagra en el Paso (a) y apriételes.

Transfiera la parte superior de la bisagra

Intercambie la bisagra y tornillos de la parte superior derecha con los tornillos de la parte superior izquierda del compartimiento. No apriete los tornillos a la bisagra en este momento.

Cambie los tiradores de la puerta Puerta del congelador



(a) Saque el tornillo aguantando el tirador en la parte superior de la puerta.

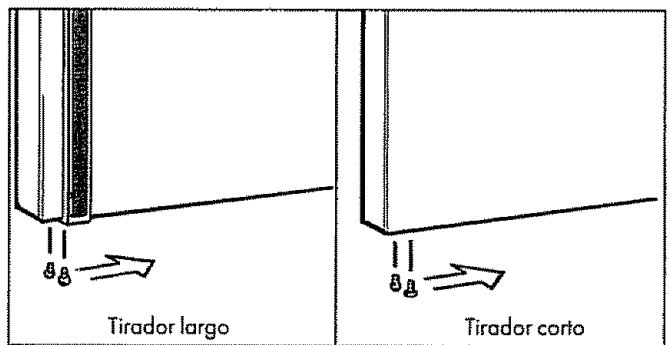
(b) Saque los tres tornillos aguantando el tirador en la parte inferior de la puerta.

(c) Transfiera el tornillo del orificio del tirador del extremo derecho de la parte superior de la puerta a la parte opuesta.

(d) Transfiera el taco del extremo izquierdo de la parte superior a la parte opuesta.

(e) En orden inverso, monte de nuevo el tirador al lado derecho de la puerta usando los tornillos sacados en los Pasos (a) y (b).

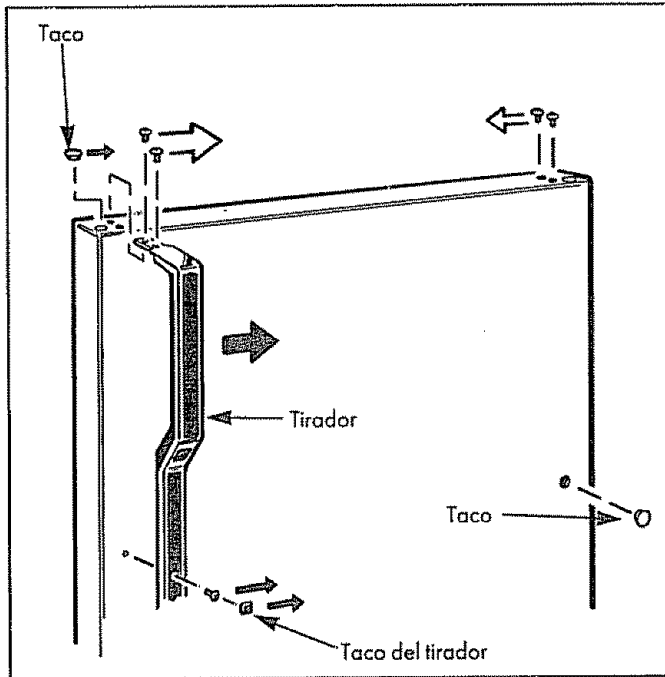
Puerta de los alimentos frescos



(a) Transfiera los dos tornillos del extremo izquierdo de la parte inferior de la puerta a la parte opuesta. (Espere hasta que el tirador se mueva antes de volver a instalar el tornillo delantero.)

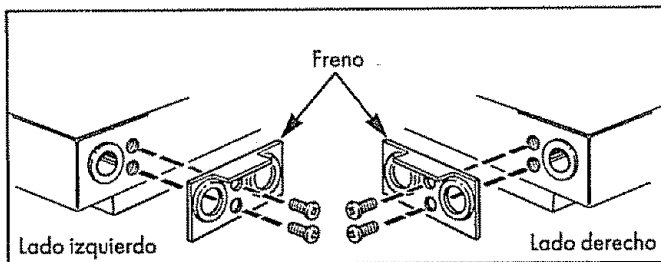
(pase a la página siguiente)

Para cambiar el modo de apertura de la puerta (pase)



- (b) Saque los dos tornillos aguantando el tirador en la parte superior de la puerta.
- (c) Saque el taco del tirador, usando un cuchillo cubierta de cinta, y saque el tornillo de abajo.
- (d) Saque el tirador.
- (e) Transfiera los dos tornillos de los orificios del tirador del extremo derecho de la parte superior de la puerta a la parte opuesta.
- (f) Transfiera el taco del extremo izquierdo de la parte superior a la parte opuesta.
- (g) Transfiera el taco del extremo derecho de la puerta al orificio del tirador dejado libre por haber sacado el tornillo debajo del taco del tirador.
- (h) Monte de nuevo el tirador al lado derecho de la puerta. Use el tornillo delantero sacado en el Paso (a) para sujetar el tirador a la parte inferior de la puerta.

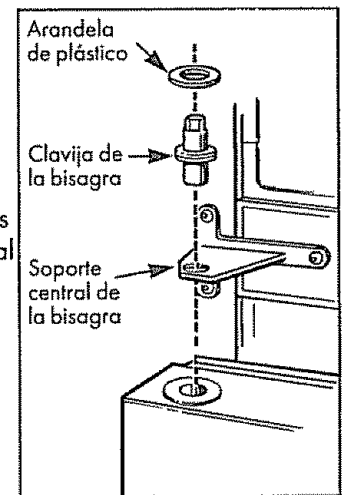
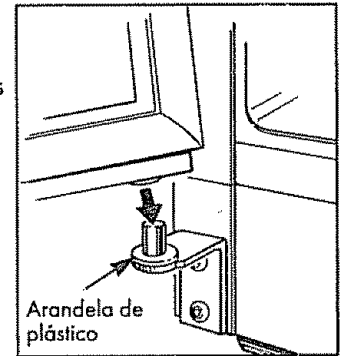
Transfiera los frenos de la puerta



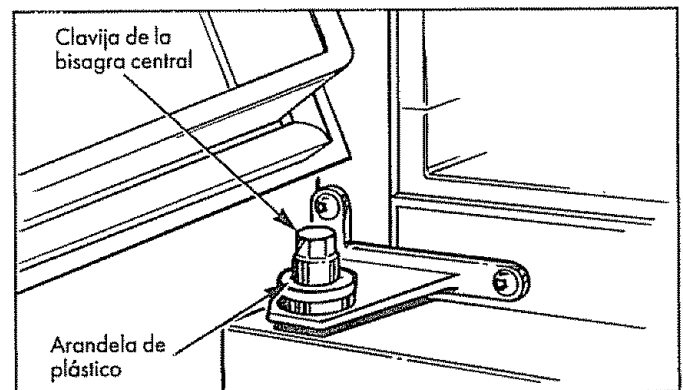
- (a) Saque los frenos de metal de la parte inferior derecha de cada puerta.
- (b) Reemplace los frenos de la puerta en el lado izquierdo después de que se hayan movido los tiradores.

Vuelva a colocar la puerta de los alimentos frescos

- (a) Sitúe el encaje inferior de la puerta de los alimentos frescos en la clavija del soporte inferior de la bisagra. Asegúrese de que la arandela esté en su lugar.
- (b) Incline la puerta hacia el compartimento y empuje suavemente la puerta por debajo del soporte central de la bisagra, y alinee con el orificio en el soporte central de la bisagra.
- (c) Vuelva a instalar la clavija de la bisagra con un encaje y un trinquete de 3/8" para que pase a través del orificio de la parte central del soporte de la bisagra y por el encaje de la parte superior de la puerta de los alimentos frescos.



Vuelva a colocar la puerta del congelador



- (a) Coloque el encaje de la puerta del congelador en la clavija de la bisagra central. Asegúrese que la arandela esté en su lugar.
- (b) Incline la puerta hacia el compartimento, levantando la bisagra superior para que la clavija encaje en el encaje de la parte superior de la puerta.
- (c) Apriete los tornillos de la bisagra superior después de haber aguantado la puerta por el lado del tirador y haberla alineado, para que el espacio entre las puertas sea el mismo en toda la parte del frente.
- (d) Vuelva a colocar la cabeza de la bisagra.

SEARS

ESTA GARANTIA SE APLICA SOLO EN LOS ESTADOS UNIDOS.

GARANTIA COMPLETA POR UN AÑO DEL REFRIGERADOR

Durante un año a partir de la fecha de la compra original, cuando se opera y se mantiene este refrigerador de acuerdo con las instrucciones adheridas o distribuidas con el producto, Sears reparará este refrigerador, sin cargo alguno, si haya defecto en el material o en la mano de obra.

GARANTIA COMPLETA POR CINCO AÑOS DEL SISTEMA DE REFRIGERACION SELLADO

Durante cinco años a partir de la fecha de la compra original, cuando se opera y se mantiene este refrigerador de acuerdo con las instrucciones del usuario adheridas o distribuidas con el producto, Sears reparará el sistema sellado (constando del refrigerante, de las tuberías de conexión y del motor del compresor), sin cargo alguno, si haya defecto en el material o en la mano de obra.

La cubierta de la garantía de arriba se aplica sólo a los refrigeradores que se usen para el almacenamiento de alimentos o los propósitos domésticos particulares.

EL SERVICIO DE GARANTIA ESTA DISPONIBLE CON SOLO PONERSE EN CONTACTO CON EL CENTRO O DEPARTAMENTO DE SERVICIO SEARS MAS CERCANO EN LOS ESTADOS UNIDOS.

Esta garantía se aplica sólo cuando este producto se use en los Estados Unidos.

Esta garantía le brinda derechos legales específicos, y también puede tener otros derechos que varían de un estado a otro.

SEARS, ROEBUCK AND CO., Dept. 817WA, 3333 Beverly Rd., Hoffman Estates, IL 60179

SERVICIO DE SEARS A SU DISPOSICION

Su Kenmore tiene un valor agregado cuando usted considera que Sears posee una unidad de servicio cerca de usted, que cuenta con un equipo Sears de técnicos capacitados...técnicos profesionales específicamente entrenados para manejar los aparatos SEARS, y que tiene acceso a las partes, herramientas y equipo para asegurar que cumplamos nuestro compromiso con usted...

"Le damos servicio a lo que vendemos."

PARA SERVICIO LLAME A: 1-800-4-REPAIR

AMPLIE EL VALOR DE SU KENMORE, COMPRE UN CONTRATO DE MANTENIMIENTO SEARS

Los refrigeradores Sears Kenmore están diseñados, fabricados y probados para brindarle años de operación confiable. Sin embargo, cualquier aparato moderno puede requerir de algún servicio de vez en cuando. La garantía Sears, además del contrato de mantenimiento Sears le brindan protección contra cuentas de reparaciones inesperadas. Contacte su vendedor o su centro de servicio más cercano para los detalles.

SEARS, ROEBUCK AND CO., Dept. 702PS0, 3333 Beverly Rd., Hoffman Estates, IL 60179

Este folleto está impreso en papel reciclado.

Impreso en los E.U.

Modelos de compartimiento congelador superior sin escarcha 18-25 pies cúbicos

Notas

Notas



SEARS

THIS WARRANTY IS VALID ONLY IN THE UNITED STATES.

FULL ONE YEAR WARRANTY ON REFRIGERATOR

For one year from date of purchase, when this refrigerator is operated and maintained according to instructions attached to or furnished with the product, Sears will repair this refrigerator, free of charge, if defective in material or workmanship.

FULL FIVE-YEAR WARRANTY ON SEALED REFRIGERATION SYSTEM

For five years from date of purchase, when this refrigerator is operated and maintained according to owner's instructions attached to or furnished with the product, Sears will repair the sealed system (consisting of refrigerant, connecting tubing and compressor motor), free of charge, if defective in material or workmanship.

The above warranty coverage applies only to refrigerators which are used for storage of food for private household purposes.

**WARRANTY SERVICE IS AVAILABLE BY CONTACTING THE
NEAREST SEARS SERVICE CENTER/DEPARTMENT IN THE UNITED STATES.**

This warranty applies only while this product is in use in the United States.
This warranty gives you specific legal rights,
and you may also have other rights which may vary from state to state.

SEARS, ROEBUCK AND CO., Dept. 817WA, 3333 Beverly Rd., Hoffman Estates, IL 60179

SEARS SERVICE IS AT YOUR SERVICE

Your Kenmore has added value when you consider that Sears has nationwide service units staffed by Sears-trained technicians...professional technicians specifically trained to service SEARS appliances, having the parts, tools and equipment to insure that we meet our pledge to you...*"We Service What We Sell."*
FOR SERVICE CALL: 1-800-4-REPAIR

ADD TO THE VALUE OF YOUR KENMORE, BUY A SEARS MAINTENANCE AGREEMENT

Sears Kenmore refrigerators are designed, built and tested for years of dependable use. Yet any modern appliance may need service from time to time. The Sears warranty plus the Sears maintenance agreement give protection from unexpected repair bills. Contact your salesperson or nearest service center for details.

SEARS, ROEBUCK AND CO., Dept. 702PS0, 3333 Beverly Rd., Hoffman Estates, IL 60179

This book is printed on recycled paper.

Part No. SR6160

Printed in U.S.A.
162D3827P003

Top Freezer, No-Frost
18-25 cu. ft. Models