



Electronic Residential WATER HEATERS

SAFETY INFORMATION 3

OPERATING INSTRUCTIONS 6
 Control Panel 7
 Operation Modes 8
 Hot Water Flexible Capacity (if equipped) . 8

**APPLIANCE
 COMMUNICATION** 9

CARE AND CLEANING 10

**INSTALLATION
 INSTRUCTIONS** 14

TROUBLESHOOTING TIPS 18
 Fault Codes 19
 Wiring Diagram 19

LIMITED WARRANTY 23

CONSUMER SUPPORT 24

OWNER'S MANUAL

GE Branded Electronic
Control Models

- GE30S**BLM
- GE30S**BMM
- GE30T**BLM
- GE40S**BLM
- GE40S**BMM
- GE40T**BLM
- GE50S**BLM
- GE50S**BMM
- GE50T**BLM

FRANÇAIS

Pour une version française de ce manuel d'utilisation, veuillez visiter notre site web à l'adresse GEAppliances.com.

ESPAÑOL

Para consultar una versión en español de este manual de instrucciones, visite nuestro sitio de internet GEAppliances.com.

Write the model and serial numbers here:

Model # _____

Serial # _____

You can find them on the rating label on the front side of your water heater.



Certified to
NSF/ANSI 372

See http://info.nsf.org/Certified/Lead_Content/ for specific model listing



THANK YOU FOR MAKING GE APPLIANCES A PART OF YOUR HOME.

Whether you grew up with GE Appliances, or this is your first, we're happy to have you in the family.

We take pride in the craftsmanship, innovation and design that goes into every GE Appliances product, and we think you will too. Among other things, registration of your appliance ensures that we can deliver important product information and warranty details when you need them.

Register your GE appliance now online. Helpful websites and phone numbers are available in the Consumer Support section of this Owner's Manual. You may also mail in the pre-printed registration card included in the packing material.



IMPORTANT SAFETY INFORMATION

READ ALL INSTRUCTIONS BEFORE USING THE APPLIANCE

⚠ WARNING

For your safety, the information in this manual must be followed to minimize the risk of fire or explosion, electric shock, or to prevent property damage, personal injury, or loss of life.

Be sure to read and understand the entire Owner's Manual before attempting to install or operate this water heater. It may save you time and cost. Pay particular attention to the Safety Instructions. Failure to follow these warnings could result in serious bodily injury or death. Should you have problems understanding the instructions in this manual, or have any questions, STOP and get help from a qualified service technician or the local electric utility.

⚠ WARNING

Risk of Fire - DO NOT store or use gasoline or other flammable vapors and liquids in the vicinity of this or any other appliance. Keep rags and other combustibles away.

⚠ WARNING

If the water heater has been subjected to flood, fire, or physical damage, turn off power and water to the water heater.

Do not operate the water heater again until it has been thoroughly checked by qualified service personnel.

Safety Precautions

- A. Do turn off power to water heater if it has been subjected to overheating, fire, flood or physical damage.
- B. Do Not turn on water heater unless it is filled with water.
- C. Do Not turn on water heater if cold water supply shut-off valve is closed.

NOTE: Flammable vapors may be drawn by air currents from surrounding areas to the water heater.

- D. If there is any difficulty in understanding or following the Operating Instructions or the Care and Cleaning section, it is recommended that a qualified person or serviceman perform the work.

⚠ CAUTION

Risk of Fire - Hydrogen gas can be produced in a hot water system served by this water heater that has not been used for a long period of time (generally two weeks or more). HYDROGEN GAS IS EXTREMELY FLAMMABLE!! To dissipate such gas and to reduce risk of injury, it is recommended that the hot water faucet be opened for several minutes at the kitchen sink before using any electrical appliance connected to the hot water system. If hydrogen is present, there will be an unusual sound such as air escaping through the pipe as the water begins to flow. Do not smoke or use an open flame near the faucet at the time it is open.

⚠ FOR INSTALLATIONS IN THE STATE OF CALIFORNIA

California Law requires that residential water heaters must be braced, anchored or strapped to resist falling or horizontal displacement due to earthquake motions. For residential water heaters up to 52 gallon (197 L) capacity, a brochure with generic earthquake bracing instructions can be obtained from: Office of the State Architect, 400 P Street, Sacramento, CA 95814 or you may call 916.324.5315 or ask a water heater dealer.

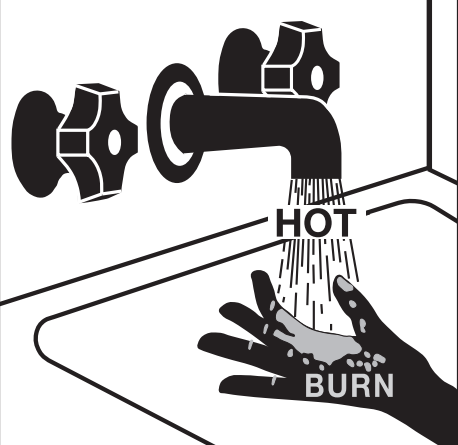
Applicable local codes shall always govern installation. For residential water heaters of a capacity greater than 52 gallons (197 L) consult the local building jurisdiction for acceptable bracing procedures.

READ AND SAVE THESE INSTRUCTIONS

IMPORTANT SAFETY INFORMATION

READ ALL INSTRUCTIONS BEFORE USING THE APPLIANCE

⚠ **DANGER**



Water temperature over 125°F can cause severe burns instantly or death from scalds.

Temperature control settings usually approximate tap water temperature. However, factors could cause water temperature to reach 160°F regardless of the control settings.

Children, disabled and elderly are at highest risk of being scalded.

See instruction manual before setting temperature at water heater.

Feel water before bathing or showering.

Temperature limiting valves are available; see manual.

WATER TEMPERATURE ADJUSTMENT

Safety, energy conservation, and hot water capacity are factors to be considered when selecting the water temperature setting of the water heater. Water temperatures above 125°F can cause severe burns or death from scalding. Be sure to read and follow the warnings outlined on the label pictured to the left. This label is also located on the water heater near the top of the tank.

Time/Temperature Relationship in Scalds

Temperature	Time to Produce a Serious Burn
120°F (49°C)	More than 5 minutes
125°F (52°C)	1-1/2 to 2 minutes
130°F (54°C)	About 30 seconds
135°F (57°C)	About 10 seconds
140°F (60°C)	Less than 5 seconds
145°F (63°C)	Less than 3 seconds
150°F (66°C)	About 1-1/2 seconds
155°F (68°C)	About 1 second

Table courtesy of Shriners Burn Institute

The chart shown above may be used as a guide in determining the proper water temperature for your home.

⚠ DANGER There is a Hot Water SCALD Potential if the water temperature thermostat is set too high. Households with small children, disabled or elderly persons may require a 120°F (49°C) or lower thermostat setting to prevent contact with “HOT” water.

Control has been set at the factory to 120°F (49°C) to reduce the risk of scald injury. This is the recommended starting temperature setting, but it can be adjusted to any temperature between 100°F and 140°F (38°C and 60°C).

To Adjust the Temperature

Follow these steps:

1. Press the + or - buttons on the control panel key pad to desired temperature.
2. Press ENTER to accept the new setting.

NOTE: To change between °F and °C, press and hold MODE.

READ AND SAVE THESE INSTRUCTIONS

IMPORTANT SAFETY INFORMATION

READ ALL INSTRUCTIONS BEFORE USING THE APPLIANCE

SAFETY CONTROLS

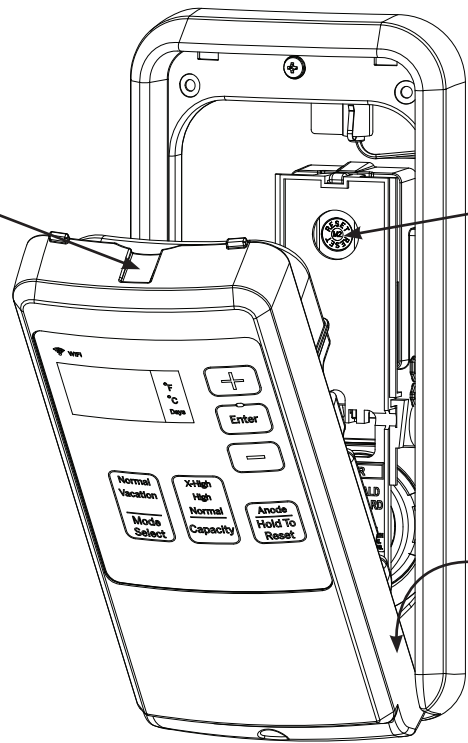
The water heater is equipped with a combination temperature sensor and high limit Energy-Cut-Off control (ECO) that is located above the upper heating element in contact with the tank surface. If for any reason the water temperature becomes excessively high, the high limit control (ECO) breaks the power circuit to the heating element. Once the control opens, it must be reset manually. Resetting of the high limit control should be done by a qualified service technician.

CAUTION The cause of the high temperature condition must be investigated by a qualified service technician and corrective action must be taken before placing the water heater in service again.

To reset the temperature-limiting control:

1. Turn off the power to the water heater.
2. Remove the electronic control display and insulation. Open the electronic control housing by removing the screw beneath the display using a phillips-head screwdriver. Push the control display down and rotate the panel from the top to open and remove the insulation. The thermostat protective cover should not be removed.
3. Press the red RESET button.
4. Replace the insulation, control housing, and screw before turning on the power to the water heater.
5. Ensure water heater is operating properly after resetting the ECO.

2. With a flat blade screw driver, lower control housing about 1/8" at top pry location, to allow rotation of control for opening.



ECO reset button location

3. Control can now be rotated downward to access ECO reset (beneath insulation insert).

1. Once the Power is turned off at breaker, remove screw at base on control housing with Phillips head screw driver.

READ AND SAVE THESE INSTRUCTIONS

Operating Instructions

Water Heater Capacity and Increasing Temperature Setpoint (For Water Heaters without an Integrated Mixing Valve):

The water heater temperature setting strongly impacts the amount of usable hot water available for showers and baths.

- Energy consumption/savings and efficiency testing of water heaters is performed according to Department of Energy (DOE) requirements specified at the date of manufacture.
- Safety regulations require a factory setting no greater than 125°F (52°C) for all new water heaters. Therefore, if your old water heater was set to a hotter temperature than your new water heater with a factory set setpoint of 120°F (49°C), the new water heater may seem to provide lower capacity than your old water heater. This can be corrected by increasing the temperature setpoint.
- If more hot water capacity is desired, increasing the temperature from 120°F to 135°F (49°C to 57°C) will enable the same tank of hot water to last about 25% longer because less hot water is mixed in at the shower or faucet.
- Increasing the water temperature setpoint may improve the cleaning performance of dishwashers and washing machines.
- The user can adjust the temperature setting to meet their needs. Always read and understand the safety instructions contained in the owner's manual before adjusting the temperature setpoint.

Mixing Valves

- For models with an integrated electronic mixing valve, hot water capacity can be increased by changing capacity selection from control, while maintaining outlet water temperature. See page 8 for instructions to increase hot water capacity.
- If your model does not include an integrated Electronic mixing valve: a supplemental mixing valve for reducing point-of-use water temperature by mixing hot and cold water in branch water lines are commercially available. Contact a licensed plumber or the local plumbing authority for further information.

Extended Shutdown Periods

If the water heater is to remain idle for an extended period of time, the power and water to the appliance should be turned off and the water heater drained to conserve energy and prevent a buildup of dangerous hydrogen gas. This unit has no power button, power can only be shut off at the circuit breaker or disconnect switch.

The water heater and piping should be drained if they might be subjected to freezing temperatures.

After a long shutdown period, the water heater's operation and controls should be checked by qualified service personnel. Make certain the water heater is completely filled again before placing it in operation.

NOTE: Refer to the Hydrogen Gas Caution in the Operating Instructions (see page 3).

About the Control Panel

Displaying Temperature Setpoint

The control will display the temperature setpoint anytime a button on the control is pressed. After 30 seconds of inactivity, the display will go blank. Note that the Mode and Capacity selection (if equipped) will remain illuminated in sleep mode. To wake the control at any time to see the temperature setpoint, press any button on the control.

Turning on the Water Heater

There is no power button for this unit. Once the water heater is wired and power is supplied, it will be on. The display will show the current water temperature setting.

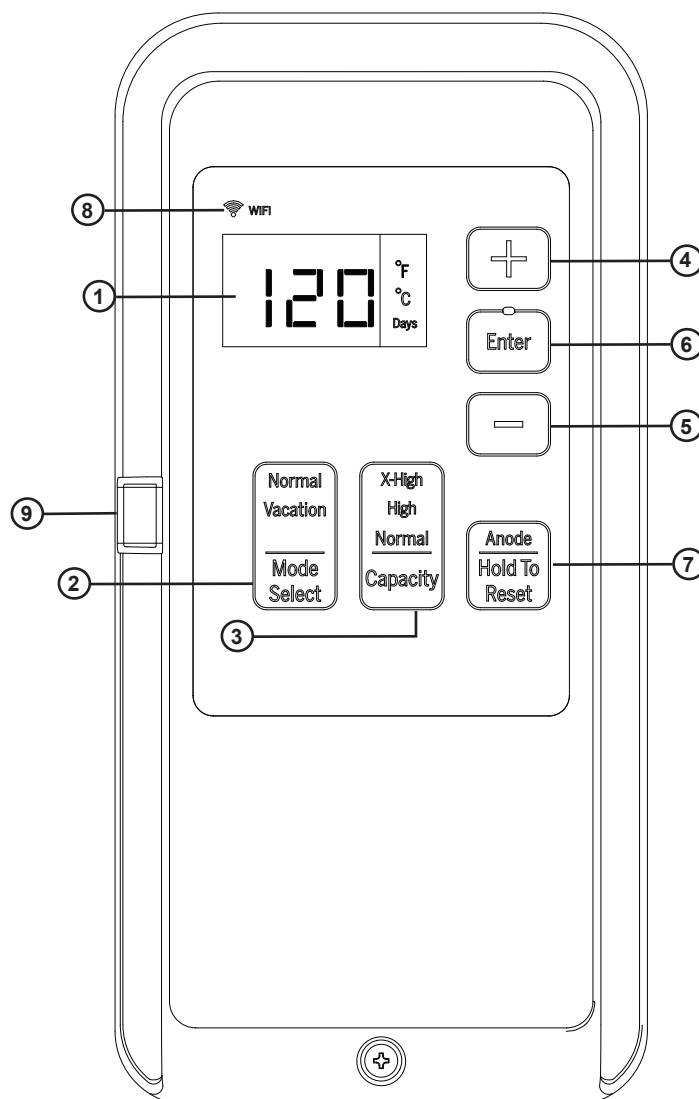
To comply with safety regulations, the controls are factory preset to 120°F (49°C).

To Adjust the Temperature

Follow these steps:

1. Press the + or - button on the control panel key pad to desired temperature.
2. Press ENTER to accept the new setting.

Note: To change between °F and °C, press and hold the Mode Select button.



Control Features

1. Display

2. Mode Select Button and Mode Indicator

Use this button to alternate between Normal and Vacation modes. Enter key must be depressed to confirm selection.

3. Tank Capacity Selection Button and Indicator Status (on some models)

Use this button to alternate between Normal, High and X-High tank capacities. Enter key must be depressed to confirm selection.

4. + Select Button

Use these buttons to increase the temperature setting or vacation days.

5. - Select Button

Use these buttons to decrease the temperature setting or vacation days.

6. Enter Key

Use this button to confirm temperature setting following adjustment.

7. Anode Reset and Replacement Indicator (if equipped)

When the Anode text is illuminated and F70 fault is displayed, the system has indicated that the anode rod is approaching end of life and it is recommended to replace it. Press button once to silence alarm. Press and hold for 5 seconds to reset the anode alarm after replacing. Call the Installer to replace the anode rod. The Servicer contact info is located next to the rating plate of the unit, or contact GE Appliances customer support at GEAppliances.com/waterheater. Failure to replace the anode rod will void warranty coverage and may result in a tank leak. (See page 12 for instructions to change the anode rod.)

8. Wifi Indicator Light

Lit when connected, flashing during configuration set up mode.

9. Appliance Communication Module Port

For use with Service and optional accessory modules. Visit GEAppliances.com/waterheaters for more information.

Operation Modes

This water heater defaults to the Normal operating mode.

To select Vacation Mode:

1. Press the MODE button until "Vacation" is illuminated.
2. Press Enter to confirm selection.
3. To return to "Normal" mode, repeat steps 1 and 2, once "Normal" text is illuminated.

Vacation Mode

This feature is recommended when you will be away from the home for an extended period of time and hot water is not needed. In this mode, the unit will reduce the water temperature setting to 50°F (10°C) and will use the most efficient heating mode to conserve energy while the heater is sitting idle. The unit will automatically resume heating one day before your return, so that hot water will be available.

To set Vacation Mode:

1. Select Vacation by pressing the MODE button.
2. Input the total number of days you will be gone by pressing the +/- select button. The default is 7 days, maximum 199, or remain in Vacation Mode indefinitely by selecting "---".
3. Press Enter to confirm selection

For example, if you will be gone 14 days, set Vacation mode for 14 days using the steps above. The temperature setting will automatically reduce to 50°F (10°C) for 13 days. At the end of the 13th day, unit will return to normal operating mode and temperature setting will reset to ensure hot water is available upon your return.

Hot Water Flexible Capacity Selection (on some models)

When activated this feature stores water at higher temperatures. As hot stored water leaves the tank, cold water is mixed in to maintain the desired set point. This mixing allows more usable hot water to be available. The water heater defaults to Normal hot water Capacity setting, which is used to calculate annual operating cost, (and a 125F outlet water setting).

To change tank Capacity setting:

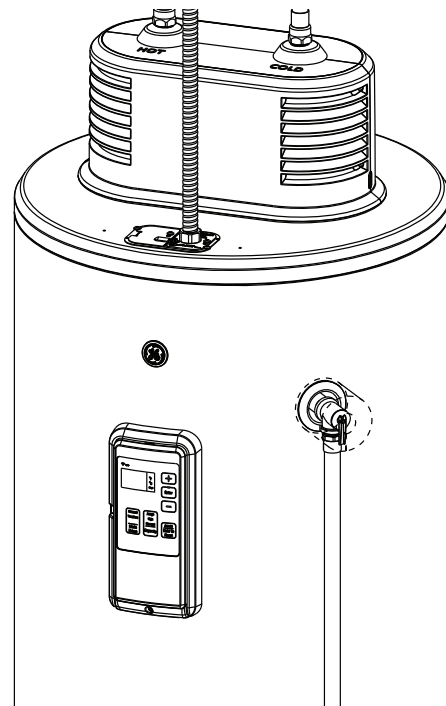
1. Press the "Capacity" button until High, X-High or Normal text is illuminated.
2. Confirm selection by pressing "Enter" key.

Capacity Options (based on 120°F default outlet water temperature setting and 58°F inlet water temperature):

Normal: No increase of hot water capacity from outlet water setting

High: Increases hot water capacity up to 40%

X-High: Increases hot water capacity up to 60%

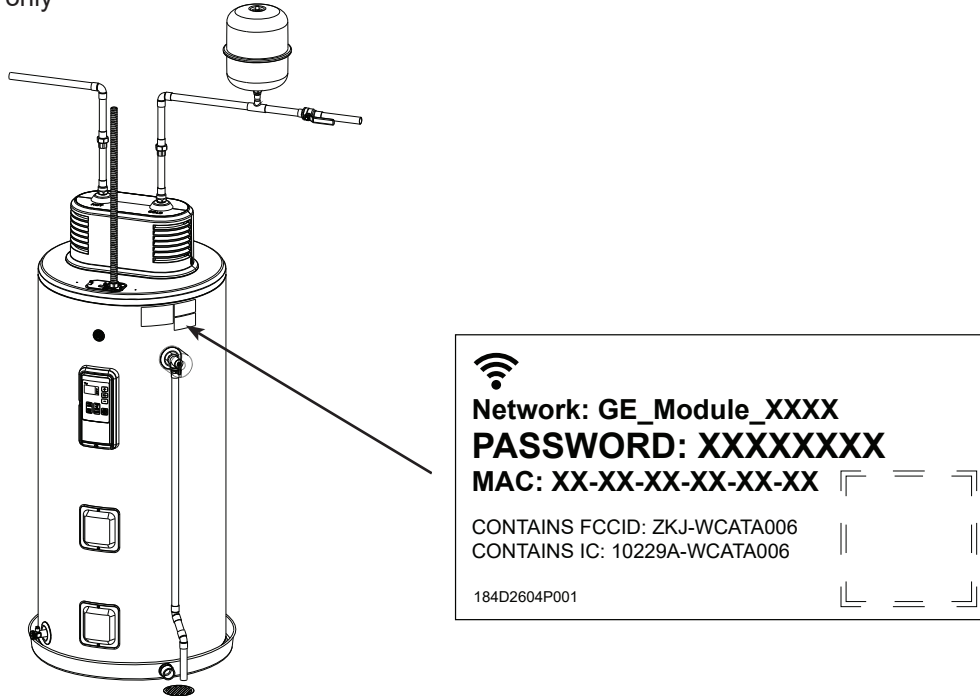


Appliance Communication

GE Appliances WiFi Connect (for customers in the United States)

GE Appliances WiFi Connect Enabled* If your water heater has a Connected Appliance Information label located on the outside as shown below, your model is **GE Appliances WiFi Connect Enabled**. A WiFi communication card is built into the product allowing it to communicate with your smart phone for remote monitoring, control and notifications. Please visit **GEAppliances.com/connect** to learn more about connected appliance features, and to learn what connected appliance apps will work with your smart phone.

*Select models only



WiFi Connectivity: For assistance with the appliance or the ConnectPlus network connectivity (for models that are WiFi enabled or WiFi optional), please call 1-800-220-6899.

REGULATORY INFORMATION

FCC/IC Compliance Statement:

This device complies with Part 15 of the FCC Rules. Operation is subject to the following two conditions:

1. This device may not cause harmful interference.
2. This device must accept any interference received, including interference that may cause undesired operation.

This equipment has been tested and found to comply with the limits for a Class B digital device, pursuant to Part 15 of the FCC Rules. These limits are designed to provide reasonable protection against harmful interference in a residential installation. This equipment generates uses and can radiate radio frequency energy and, if not installed and used in accordance with the instructions, may cause harmful interference to radio communications. However, there is no guarantee that interference will not occur in a particular installation. If this equipment does cause harmful interference to radio or television reception, which can be determined by turning the equipment off and on, the user is encouraged to try to correct the interference by one or more of the following measures:

- Reorient or relocate the receiving antenna.
- Increase the separation between the equipment and receiver.
- Connect the equipment into an outlet on a circuit different from that to which the receiver is connected.
- Consult the dealer or an experienced radio/television technician for help.

Labelling: Changes or modifications to this unit not expressly approved by the manufacturer could void the user's authority to operate the equipment.

This product has WiFi capability and requires Internet connectivity and a wireless router to enable interconnection with an Energy Management System, and/or with other external devices, systems, or applications.

Care and Cleaning

Exterior Surfaces

Hand wash with damp cloth, using only warm water. Wipe dry using a dry, clean cloth.

Routine Preventive Maintenance

⚠ DANGER Risk of Scald - Before manually operating the relief valve, make certain no one will be exposed to the danger of coming in contact with the hot water released by the valve. The water may be hot enough to create a scald hazard. The water should be released into a suitable drain to prevent injury or property damage.

NOTE: If the temperature and pressure-relief valve on the hot water heater discharges periodically, this may be due to thermal expansion in a closed water system. Contact the water supplier or your plumbing contractor on how to correct this. Do not plug the relief valve outlet.

Properly maintained, your water heater will provide years of dependable trouble-free service. It is suggested that the following annual preventive maintenance program be established.

1. Inspect Temperature & Pressure Relief Valve.
2. Inspect heating elements, ECO, and wiring to each.
3. Drain and Flush the water heater tank.
4. Anode rod must be removed and inspected.

Temperature and Pressure-Relief Valve:

Once a year, it is recommended to lift and release the lever handle on the temperature and pressure-relief valve, located on the front-right side of the water heater, to make certain the valve operates freely. Allow several gallons to flush through the discharge line to an open drain.

Heating Elements and ECO:

Once a year, it is recommended to inspect the heating elements, ECO, and wiring to each. Inspection should be completed by service personnel qualified in electrical appliance repair.

Most electrical appliances, even when new, make some sound when in operation. If the hissing or singing sound level increases excessively, the electric heating element may require cleaning. Contact a qualified installer or plumber for inspection.

Draining and Flushing the Water Heater

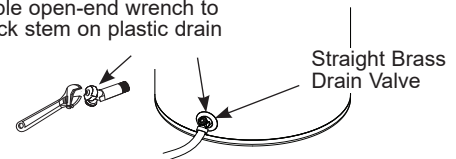
⚠ CAUTION Risk of Shock - Shut off power to the water heater before draining water.

⚠ DANGER Risk of Scald - Before manually operating the relief valve, make certain no one will be exposed to the hot water released by the valve. The water drained from the tank may be hot enough to present a scald hazard and should be directed to a suitable drain to prevent injury or damage.

A water heater's tank can act as a settling basin for solids suspended in the water. It is therefore not uncommon for hard water deposits to accumulate in the bottom of the tank. To clean the tank of these deposits, it is recommended to drain and flush the water heater tank once a year. To drain the water heater, follow these steps:

1. Turn off power to the unit. The electric heating elements will become damaged if operated without water.
2. Attach a garden hose to the drain valve located at the bottom of the unit and direct that hose to a drain.
3. Turn off the cold water supply.
4. Admit air to the tank by opening a hot water faucet or lifting the handle on the relief valve.
5. Open the drain valve.

Use a flat blade screwdriver to turn brass drain valve or an adjustable open-end wrench to turn black stem on plastic drain valve.



Flushing the Tank:

1. Follow steps above to drain the water heater.
2. Once the water heater is empty, with the drain valve open and garden hose attached to the drain valve, turn on the cold water supply.
3. Allow several gallons to flush through the drain valve and hose to an open drain.
4. Turn off the water supply and allow any water remaining in the tank to drain.
5. Repeat steps 3 and 4 until water runs clear.
6. Close the drain valve and fill the tank before returning power to the unit. The tank is full when water runs out of a nearby open hot water faucet.

Flushing should be done with an empty tank to promote additional removal of sediment.

Care and Cleaning

Routine Preventative Maintenance

Anode Rod

Anode rods are designed and installed to protect and extend the life of residential water storage tanks.

The anode rod must be removed from the water heater's tank and inspected annually, and replaced when more than 6" (15.2 cm) of core wire is exposed at either end of the rod.* **NOTE:** Artificially softened water will cause the anode rod to consume more rapidly.

Due to shock hazard and to prevent accidental water leaks, this inspection should be done by a qualified servicer or plumber, and requires that the electric power and cold water supply be turned off before servicing the anode rod.

NOTICE: Do not remove the anode rod from the water heater's tank except for inspection and/or replacement, as operation with the anode rod removed will shorten the life of the glass-lined tank and will void warranty coverage.

Some areas have water conditions that may cause an odor to develop in the water heater. Special alloy replacement rods are available to address this condition.

***NOTE:** Failure to replace the anode rod when consumed voids the warranty for the tank. Warranty coverage for all other components remains intact, and is unaffected by this maintenance requirement. The replacement anode rod, and the inspection for consumption are not covered by warranty.

Additional information for models with an anode depletion sensing feature (Anode button on the control, on equipped models):

When the depletion-sensing anode rod nears end of life, the ANODE text will illuminate and the control will beep and display F70. When this occurs, the anode rod must be inspected and replaced if the core wire at the top of the anode rod is exposed.* It is recommended to replace the anode rod as soon as possible to ensure that the tank will continue to be protected from corrosion. Call installer/servicer to order or to replace the anode rod. (See page 12 for instructions to change the anode rod.)

Press the ANODE button once to silence the alarm. Once replaced, reset the alarm by pressing and holding the ANODE button for 5 seconds until the control beeps and the Anode Light will turn off.

If special alloy anode rod is installed to address a water odor condition, the anode depletion sensing feature must be disabled. If disabled, annual inspections of the anode rod are required since the water heater will no longer be capable of alerting for a depleted anode rod.

To disable the feature:

1. Upon power-up following a special alloy anode rod installation, the control will sound an alarm and F41 will display. Press the ANODE button to quiet the alarm.
2. Press the ANODE button 3 times. "Off" or "On" will display confirming that the feature has been disabled/enabled.

To enable the feature if a new anode depletion sensing anode rod is installed, follow Step 2 above.

Note: If the display is blank, press any button to wake the control before entering a button combination.

NOTE: If the water heater has been installed with a device that periodically cuts power to the water heater, the accuracy of the anode rod depletion sensing feature may become compromised and anode rod inspection every 2-3 years is required.

If the water heater will be inactive for a long period of time and the water heater cannot be drained, it is recommended to leave the power turned on with the water heater in vacation mode to ensure that the feature will continue to operate properly while still conserving energy.

NOTE: Refer to the Hydrogen Gas Caution in the Operating Instructions (see page 3).

Anode Rod Maintenance and Service

⚠ CAUTION - IMPORTANT SAFETY NOTICE

This information is intended for use by individuals possessing adequate background of electrical, electronic and mechanical experience. Any attempt to repair a major appliance may result in personal injury and property damage. The manufacturer or seller cannot be responsible for the interpretation of this information, nor can it assume any liability in connection with its use.

Tools needed:

- Flat Head Screwdriver
 - Phillips head screwdriver
 - Socket/Torque Wrench
 - 1 1/16" Socket
 - Pipe Joint Compound or Pipe Thread Sealant Tape
 - Anode Rod, if needed
- * See page 22 for part ordering instructions

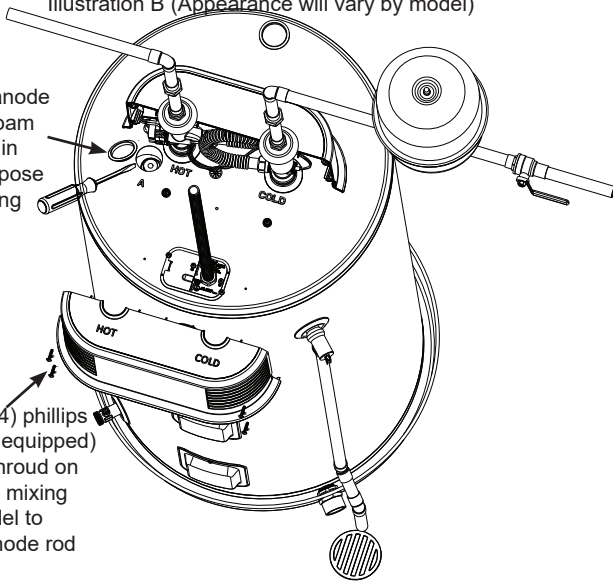
To Service Anode Rod:

1. Disconnect power, shut off the water supply, drain the water lines of the home. Drain 1 to 2 gallons of water from the water heater through the lower drain valve.
2. Skip to step 3, for models without Integrated Mixing Valve. For models with Integrated Mixing Valve, remove (4) screws and front section of shroud using Phillips screwdriver per Illustration B.

Illustration B (Appearance will vary by model)

Remove anode cap and foam insulation in hole to expose anode fitting

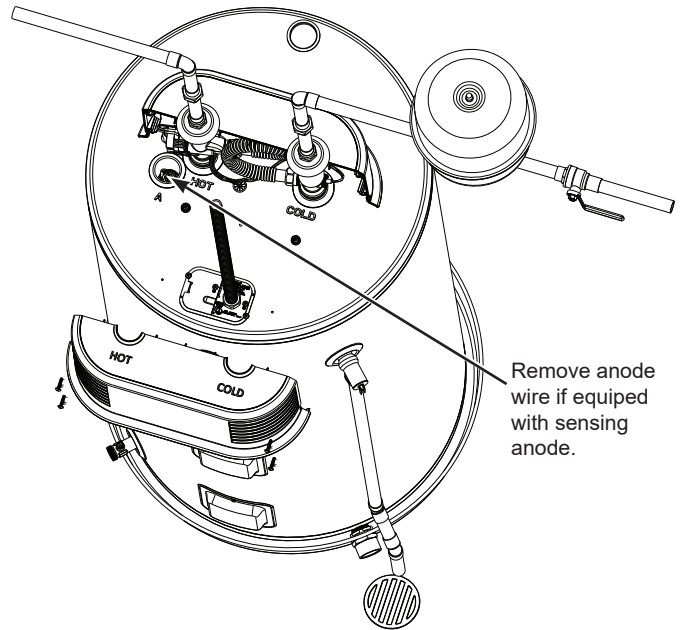
Remove (4) phillips screws (if equipped) on front shroud on integrated mixing valve model to expose anode rod access.



3. Remove anode cap and foam insulation in hole with flat head screwdriver to expose anode fitting as shown in illustration B.

NOTE: For models with sensing anode feature, anode fitting is already exposed (see illustration C). Wire attached to anode fitting must be detached prior to next step.

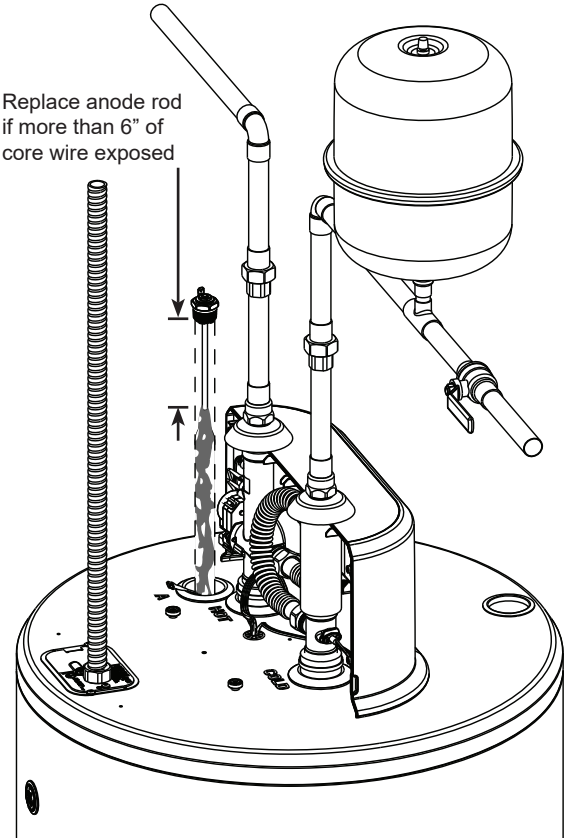
Illustration C (Appearance will vary by model)



4. Using a 1 1/16" socket/wrench, unscrew the anode rod, then lift out to inspect as shown in illustration D.

Illustration D (Appearance will vary by model)

Replace anode rod if more than 6" of core wire exposed



Anode Rod Maintenance and Service

5. Replace Anode Rod (with same anode type that was removed — sensing vs. standard), if more than 6" of core wire is exposed. Contact Installer/Service for correct replacement anode or GEA Customer Support at GEAppliances.com/waterheater.
6. To Install anode rod:
 - a. Seal the threads with pipe joint compound or pipe thread sealant tape.
 - b. Thread into the port and tighten with torque wrench to 50 +/- 5 ft-lbs of torque.
7. Turn water supply on, open a tap to remove any trapped air in water lines and inspect for leaks. Repair any leaks, prior to proceeding.
8. Reconnect wire to anode fitting (for anode depletion sensing models) or replace anode cap (for standard non-sensing anode)
9. Reassemble front shroud, previously removed in step 2, if equipped.
10. Turn power On. If sensing anode was replaced with a special alloy (non-sensing) anode rod, the anode depletion sensing feature must be disabled and the unattached wire end must be covered with electrical tape. See page 12 for instructions on enabling or disabling sensing anode.
11. Reset ANODE replacement indicator light (if equipped) by pressing and holding ANODE button for 10 seconds to indicate that a new anode depletion sensing anode rod is installed.



Installation Instructions

The location chosen for the water heater must take into consideration the following:

LOCAL INSTALLATION REGULATIONS

This water heater must be installed in accordance with these instructions, local codes, utility codes, utility company requirements or, in the absence of local codes, the latest edition of the National Electrical Code. It is available from some local libraries or can be purchased from the National Fire Prevention Association, Batterymarch park, Quincy, MA 02169 as booklet ANSI/NFPA 70.

POWER REQUIREMENTS

Check the markings on the rating plate of the water heater to be certain the power supply corresponds to the water heater requirements. **NOTE:** 208V installations may experience lower performance.

LOCATION

The water heater and water lines should be protected from freezing temperatures and *high-corrosive atmospheres*. Do not install the water heater in outdoor, unprotected areas.

Locate the water heater in a clean dry area as near as practical to the area of greatest heated water demand. Long uninsulated hot water lines can waste energy and water. Unit must be installed in a level location. If required, add shims under base of unit to level for proper operation.

NOTE: This unit is designed for any common indoor installation.

Servicing the water heater requires proper installation such that front panels can be removed to permit inspection and servicing. Reference installation instructions found in this manual.

Moving the water heater or other appliances to provide service to the water heater is not covered under warranty.

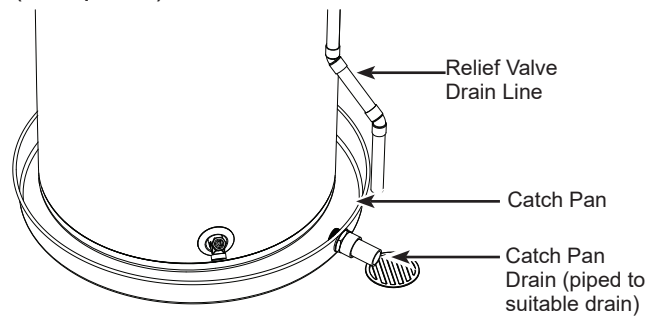
⚠ CAUTION Risk of Property Damage -
The water heater should not be located in an area where leakage of the tank or connections will result in damage to the area adjacent to it or to lower floors of the structure. Where such areas cannot be avoided, it is recommended that a suitable catch pan, adequately drained, be installed under the water heater.

LOCATION (Cont).

Required clearances:

There must be sufficient clearance between any object and the top, rear and sides of the water heater in the event service is needed. The controls and drain at front of unit must have clear access for operation and service. Installations that require minimal clearance on the sides or rear of the water heater for earthquake straps are also acceptable. **In these cases, additional clearance should be provided on the opposite side of the unit to allow for service access. Integrated electronic mixing valve models should not be installed with pre-heated water from solar or other heated sources (higher than intended user set point).**

CATCH PAN INSTALLATION (If required)



NOTE: Auxiliary catch pan **MUST** conform to local codes. Catch Pan Kits are available from the store where the water heater was purchased, a builder store or any water heater distributor. The catch pan should be 2" (5.1 cm) minimum larger than the Water Heater base diameter. To prevent corrosion and improve Drain Valve access it is recommended that the water heater be placed on spacers inside the catch pan.

THERMAL EXPANSION

If a check valve is present on the inlet water line, it will create a "closed system." Heating water in a closed system creates an increase in pressure within the water system because the pressure is not able to dissipate in the main supply line. Referred to as "thermal expansion", the rapid pressure increase can cause the relief valve to operate (releasing water) during each heating cycle, potentially causing premature failure to the valve or even the water heater. The suggested method of controlling thermal expansion is to install an expansion tank in the cold water line between the water heater and the check valve as shown in the following illustrations. Contact your installing contractor, water supplier, or plumbing inspector for additional information.

Installation Instructions

WATER SUPPLY CONNECTIONS

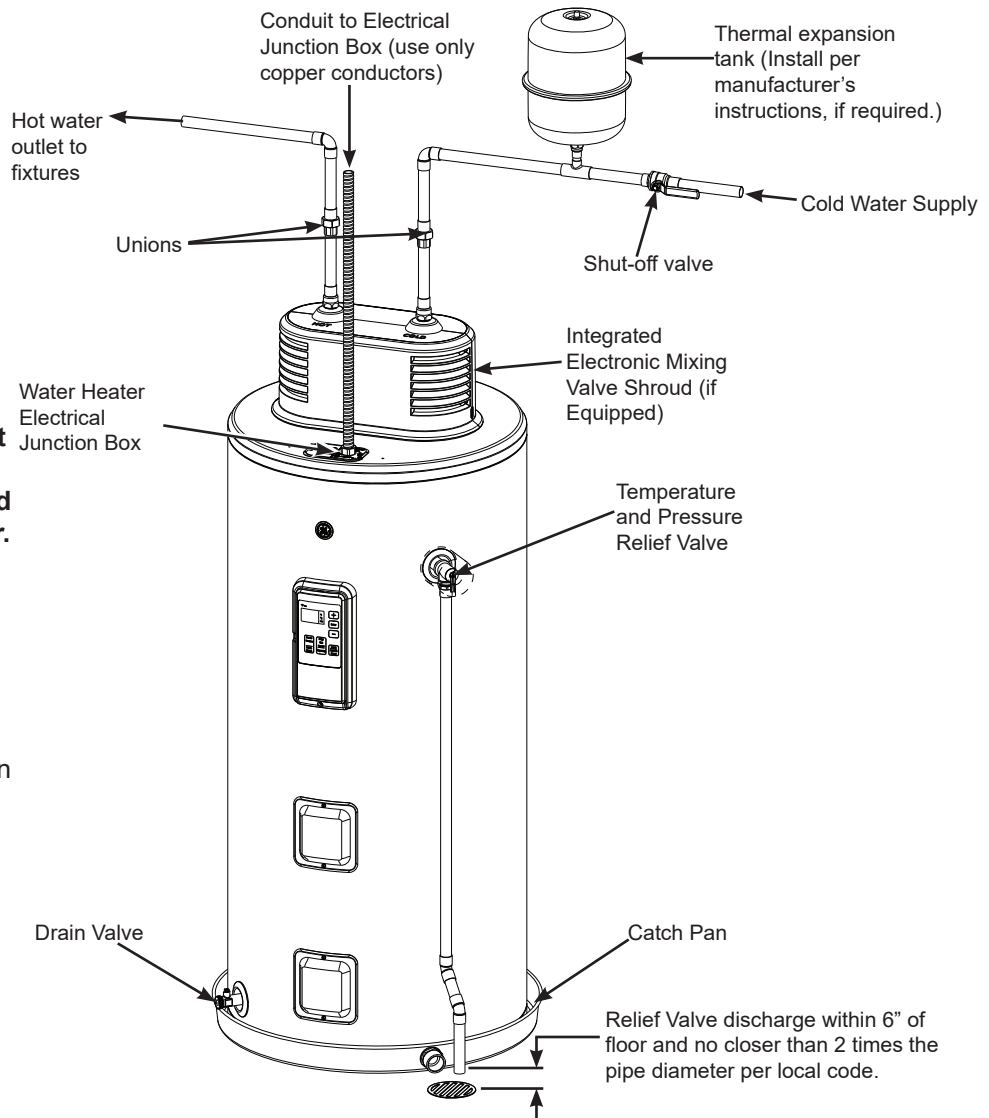
Refer to the illustration below for recommended installation. The HOT and COLD water connections are clearly marked and are $\frac{3}{4}$ " NPT on all models. When connecting to the inlet/outlet ports, the use of $\frac{3}{4}$ " female NPT tapered thread fittings with use of thread sealant is recommended. The installation of unions is recommended on the hot and cold water connections so that the water heater may be easily disconnected for servicing if necessary. Piping should be routed to allow anode rod removal.

NOTE: Install a shut-off valve in the cold water line near the water heater. This will enable easier service or maintenance of the unit later.

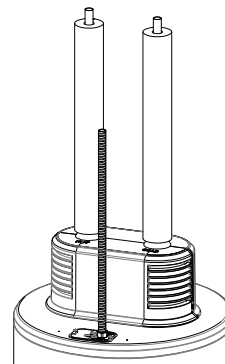
IMPORTANT: Do not apply heat to the HOT or COLD water connections. If sweat connections are used, sweat tubing to adapter before fitting the adapter to the cold water connections on heater. Any heat applied to the hot or cold water connection will permanently damage the internal plastic lining in these ports.

Install a vacuum relief valve and/or anti-siphon device when required by local jurisdictions.

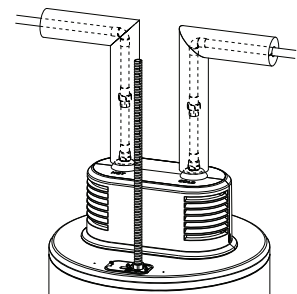
Illustration E (Appearance will vary by model)



Typical vertical piping arrangement



Typical horizontal piping arrangement



HOT AND COLD PIPE INSULATION INSTALLATION (if supplied with product)

For increased energy efficiency, some water heaters have been supplied with two 24" sections of pipe insulation.

Please install the insulation, according to the illustrations below, that best meets your requirements.

Installation Instructions

RELIEF VALVE

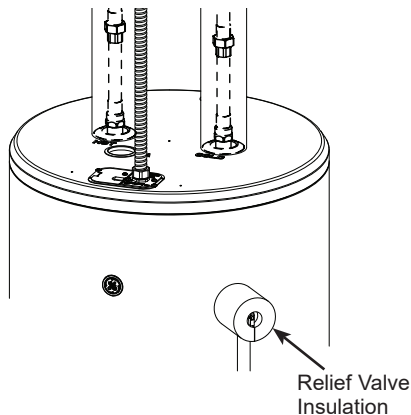
⚠ WARNING Risk of Unit Damage - The pressure rating of the relief valve must not exceed 150 PSI (1.03 MPa), the maximum working pressure of the water heater as marked on the rating plate.

A new combination temperature and pressure-relief valve, complying with the Standard for Relief Valves and Automatic Gas Shut-Off Devices for Hot Water Supply Systems, ANSI Z21.22, is supplied and must remain installed in the opening provided and marked for this purpose on the water heater. No valve of any type should be installed between the relief valve and the tank. Local codes shall govern the installation of relief valves.

The BTUH rating of the relief valve must not be less than the input rating of the water heater as indicated on the rating label located on the front of the heater (1 watt=3.412 BTUH).

Connect the outlet of the relief valve to a suitable open drain so that the discharge water cannot contact live electrical parts or persons and to eliminate potential water damage.

Piping used should be of a type approved for hot water distribution. The discharge line must be no smaller than the outlet of the valve and must pitch downward from the valve to allow complete drainage (by gravity) of the relief valve and discharge line. The end of the discharge line should not be threaded or concealed and should be protected from freezing. No valve of any type, restriction or reducer coupling should be installed in the discharge line.



(Model appearance may vary)

⚠ CAUTION

To reduce the risk of excessive pressures and temperatures in this water heater, install temperature and pressure protective equipment required by local codes and no less than a combination temperature and pressure relief valve certified by a nationally recognized testing laboratory that maintains periodic inspection of production of listed equipment or materials, as meeting the requirements for Relief Valves and Automatic Gas Shutoff Devices for Hot Water Supply Systems, ANSI Z21.22. This valve must be marked with a maximum set pressure not to exceed the marked maximum working pressure of the water heater. Install the valve into an opening provided and marked for this purpose in the water heater, and orient it or provide tubing so that any discharge from the valve exits only within 6 inches above, or at any distance below, the structural floor, and does not contact any live electrical part. The discharge opening must not be blocked or reduced in size under any circumstances.

TO FILL THE WATER HEATER

⚠ WARNING Risk of Unit Damage - The tank must be full of water before heater is turned on. The water heater warranty does not cover damage or failure resulting from operation with an empty or partially empty tank.

Make certain the drain valve is completely closed. Open the shut-off valve in the cold water supply line. Open each hot water faucet slowly to allow the air to vent from the water heater and piping.

A steady flow of water from the hot water faucet(s) indicates a full water heater.

Condensation can form on the tank and fittings when it is first filled with water. Condensation may also occur with a heavy water draw and very cold inlet water temperature.

This condition is not unusual and will disappear once water is heated. If condition persists, examine fittings for potential leaks and repair, as required.

⚠ NOTICE

Do not mis-wire electrical connections. 240VAC or 208VAC must be applied across L1 and L2 wires as shown in 'Water heater junction box' illustration.

If a 4-conductor wire is supplied to the water heater, cap the neutral, and connect the remaining wires as illustrated.

Installation Instructions

ELECTRICAL CONNECTIONS

A separate branch circuit with copper conductors, overcurrent protective device and suitable disconnecting means must be provided by a qualified electrician.

All wiring must conform to local codes or latest edition of National Electrical Code ANSI/NFPA 70.

The water heater is completely wired to the junction box at the top of the water heater. An opening for 1/2" electrical fitting is provided for field wiring connections.

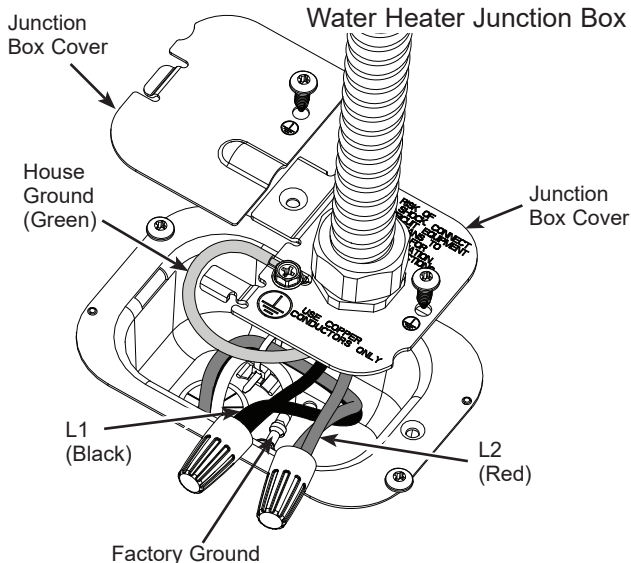
The voltage requirements and wattage load for the water heater are specified on the rating label on the front of the water heater.

The branch circuit wiring should include either:

1. Metallic conduit or metallic sheathed cable approved for use as a grounding conductor and installed with fittings approved for the purpose.
2. Nonmetallic sheathed cable, metallic conduit or metallic sheathed cable not approved for use as a ground conductor shall include a separate conductor for grounding. It should be attached to the ground terminals of the water heater and the electrical distribution box.

To connect power to the water heater:

1. Turn the power off.
2. Remove the screw/screws holding the junction box top cover.
3. Install L1 to L1, L2 to L2 and ground wire onto the fixed junction box cover, per illustration below.
4. Reconnect all screws attaching the junction box covers.



⚠ WARNING Risk of fire or electrical shock. Ensure both junction box covers and ground screws are securely fastened for proper grounding.

NOTE: Install electric connections according to local codes or latest edition of National Electrical Code ANSI/NFPA 70.

⚠ WARNING Proper ground connection is essential. The presence of water in the piping and water heater does not provide sufficient conduction for a ground. Nonmetallic piping, dielectric unions, flexible connectors, etc., can cause the water heater to be electrically isolated. Do not disconnect factory ground.

The manufacturer's warranty does not cover any damage or defect caused by installation, attachment or use of any type of energy-saving or other unapproved devices (other than those authorized by the manufacturer) into, onto or in conjunction with the water heater. The use of unauthorized energy-saving devices may shorten the life of the water heater and may endanger life and property.

The manufacturer disclaims any responsibility for such loss or injury resulting from the use of such unauthorized devices.

If local codes require external application of insulation blanket kits, the manufacturer's instructions included with the kit must be carefully followed.

Application of any external insulation, blankets or water pipe insulation to this water heater will require careful attention to the following:

- Do not cover the temperature and pressure-relief valve.
- Do not cover access panels to the heating elements.
- Do not cover the electrical junction box of the water heater.
- Do not cover the operating or warning labels attached to the water heater or attempt to relocate them on the exterior of the insulation blanket.

NOTE: This guide recommends minimum branch circuit sizing based on the National Electric Code. Refer to wiring diagrams in this manual for field wiring connections.

BRANCH CIRCUIT SIZING GUIDE

Total Water Heater Wattage	Recommended Over-Current Protection (fuse or circuit breaker amperage rating)	Copper Wire Size AWG Based on N.E.C. Table 310-16 (167°F/75°C.)
@240V	208-240V	208-240V
3,000	20	12
4,000	25	10
4,500	25	10
5,000	30	10
5,500	30	10
6,000	35	8
8,000	45	8
9,000	50	8
10,000	–	–
11,000	–	–
12,000	–	–

Troubleshooting

Before you call for service....

Save time and money! Review the chart below first and you may not need to call for service.

⚠ CAUTION For your safety, **DO NOT** attempt repair of electrical wiring, controls, heating elements or other safety devices. Refer repairs to qualified service personnel.

Problem	Possible Causes	What To do
OPERATION AND PERFORMANCE		
<i>Not enough or no hot water</i>	Water temperature may be set too low	<ul style="list-style-type: none"> See the <i>Water Temperature Adjustment</i> and <i>Water Heater Capacity</i> sections (see pages 4 and 6). If the product has an integrated mixing valve, turn capacity setting up to "High" or "X-High" to increase available hot water capacity.
	Cold water inlet temperature may be colder during the winter months	<ul style="list-style-type: none"> This is normal. The colder inlet water takes longer to heat. Consider increasing the set temperature as described in the <i>Water Temperature Adjustment</i> section or increase capacity setting on models equipped with electronic mixing valve.
	Leaking or open hot water faucets	<ul style="list-style-type: none"> Make sure all faucets are closed.
	Long runs of exposed pipe, or hot water piping on outside wall	<ul style="list-style-type: none"> Insulate piping.
	Dip tube damaged	<ul style="list-style-type: none"> Contact your local installer, plumbing contractor, or previously agreed upon service agency.
	A fuse is blown, circuit breaker tripped, or electric service to your home may be interrupted	<ul style="list-style-type: none"> Replace fuse or reset circuit breaker. Contact the local electric utility.
	Inadequate wiring	<ul style="list-style-type: none"> See the <i>Installation Instructions</i>.
	Manual reset high limit (ECO)	<ul style="list-style-type: none"> See the <i>Safety Controls</i> section, see page 5.
	Water Connections to unit reversed	<ul style="list-style-type: none"> Correct piping connections.
	Recirculating System Interference (if installed)	<ul style="list-style-type: none"> Check flow rate is not set too high. Insulate piping
<i>Water is too hot</i>	Water temperature is set too high	<ul style="list-style-type: none"> See the <i>Water Temperature Adjustment</i> section.
	Electronic Control has failed	<ul style="list-style-type: none"> Contact your local installer, plumbing contractor, or previously agreed upon service agency.
Control Panel		
<i>The heater is beeping, the anode light is on (on some models), and the display says F70</i>	The anode rod is approaching end of life and it is recommended to replace it in order to continue to offer protection from corrosion.	<ul style="list-style-type: none"> Call for service or follow the instructions on how to replace the anode rod on page 12. Ensure that the anode depletion sensing anode rod or other GE Appliances approved anode rod is installed. Installation of an unapproved anode rod will VOID the warranty.
<i>The heater is beeping and the display says F41</i>	The anode rod is not connected properly and the water heater may not be protected from corrosion.	<ul style="list-style-type: none"> Check that the tank is filled completely with water. If the tank is full of water and the F41 code persists, contact GE Appliances service. Press anode button to silence alarm.
<i>The heater is beeping and the screen flashes, F78.</i>	Unit is not receiving 240VAC as intended.	<ul style="list-style-type: none"> Turn off power to water heater (generally at the breaker panel). Then read Electrical Connections section of the installation Instructions, see page 17, then contact the installer to verify electrical input to the water heater.
OTHER		
<i>Rumbling noise</i>	Water conditions in your home caused a buildup of scale or mineral deposits on the heating elements	<ul style="list-style-type: none"> Remove and clean the heating elements. This should only be done by a qualified service person or plumbing contractor.
<i>Squealing/Chirping sound when drawing hot water</i>	In certain usage conditions, noise may transmit through plumbing from the integrated mixing valve.	<ul style="list-style-type: none"> Increasing user set point or lowering capacity setting may address this condition on integrated mixing valve models. Consult a plumbing professional to install a pressure limiting device, if due to high water pressure.
<i>Intermittent EMV motor noise on integrated mixing valve models</i>	A soft motor noise may be heard during normal operation due to movement of control valve.	<ul style="list-style-type: none"> This noise is normal and does not indicate any issue with product
<i>Water dripping down the outside of the heater</i>	Hot/Cold water connections or other parts have loosened	<ul style="list-style-type: none"> Tighten the loose connections. This should only be done by a qualified service person or plumbing contractor.
<i>Relief valve producing popping sound or draining</i>	Pressure buildup caused by thermal expansion to a closed system	<ul style="list-style-type: none"> This is an unacceptable condition and must be corrected. See <i>Thermal Expansion</i> section on page 14. Do not plug the relief valve outlet. Contact a plumbing contractor to correct this.
<i>Hot water has a rotten egg or sulfur smell</i>	Certain water supplies with high sulfate content will react with the anode rod that is present in all water heaters for corrosion protection of the tank	<ul style="list-style-type: none"> The odor can be reduced or eliminated in most water heaters by replacing the anode rod with less-active material rod. In some cases, an added step of chlorinating the water heater and all hot water lines may be necessary, contact your local water professional or plumber for options and instructions. Go to GEAppliances.com/waterheater for information on purchasing this replacement anode rod. A qualified servicer or plumber should do this replacement. Use of a non-GE Appliances approved anode rod, or operating the water heater without a GE Appliances approved anode rod will VOID the warranty. In certain cases, increasing the tank temperature to 140°F (60°C) can reduce this odor issue. Reference the Water Temperature Adjustment section of the Important Safety Information of this manual for procedure and dangers of scalding water. Installation of temperature limiting valves can be used to reduce risk of scalding.

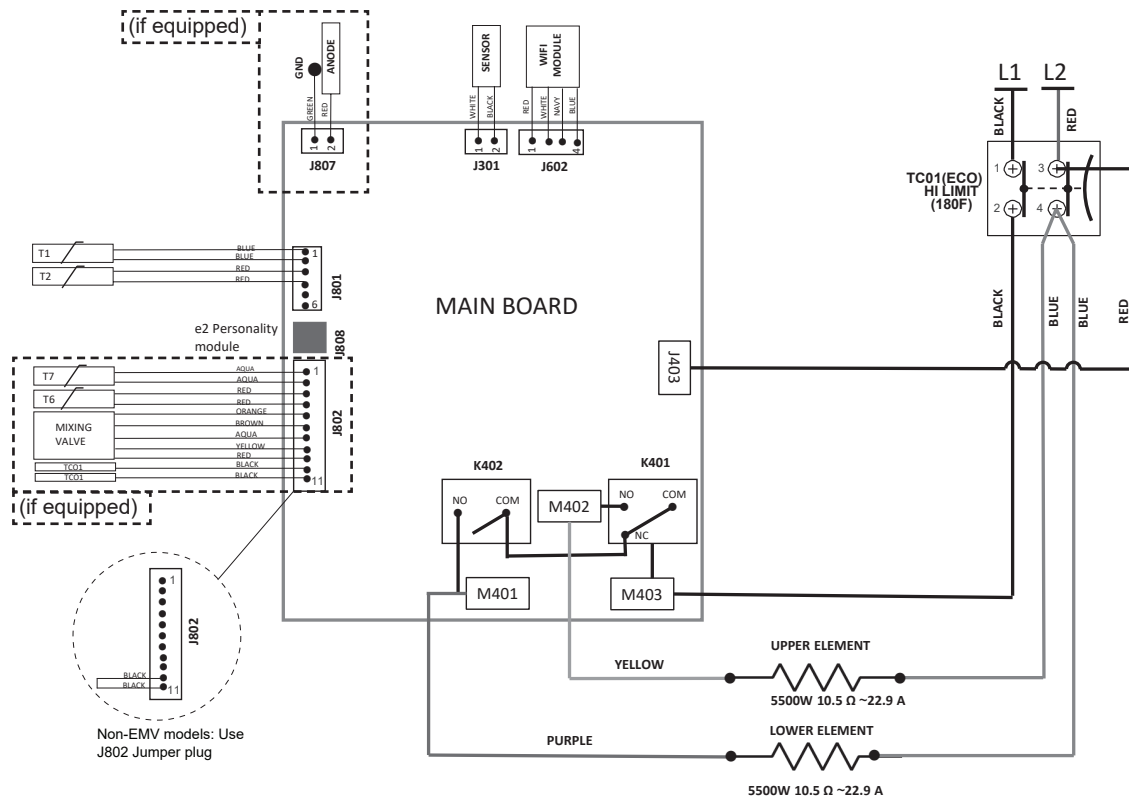
Fault Codes

Fault Code Displayed	Condition	Action
F10 or F12	Lower Heating Element Failure	Call Service to replace heating element
F11 or F13	Upper Heating Element Failure	Call Service to replace heating Element
F16*	Mixing Valve Outlet DC TCO Tripped	Call Service to correct issue causing fault and replace TCO.
F17	Missing jumper wire on non-EMV models	Call Service to confirm issue and install jumper wire plug.
F18*, F63* or F64*	Mixing Valve Failure	Call service to diagnose and repair
F19	Runaway Heat Source	Call Service to repair
F30	Tank Temperature (T1) Failure open/short	Call Service to replace sensor
F31	Tank Temperature (T2) Failure open/short	Call Service to replace sensor
F32 or F33	Tank Temperature, (T1 or T2) Failure	Call Service to replace required sensor
F38*	Mixing Valve Outlet Temperature (T6) Failure	Call Service to replace required sensor
F39*	Mixing Valve Cold Inlet Temperature (T7) Failure	Call Service to replace required sensor
F40	Current Sensor Failure	Call Service to diagnose and correct
F41#	Sensing Anode miswired	Confirm wire is connected to sensing anode terminal. Call Service otherwise.
F44 or F45	Micro Fault	Call Service to repair
F70#	Anode Depleted	Call Service to replace sensing anode (see anode replacement section in manual).
F71	AC Current Transformer Miswire	Call Service to diagnose and repair
F76	Voltage too low	Call Service for probable miswire
F77	Stuck Key Failure	Call Service to diagnose and repair
F90	E2 module unplugged or damaged	Call Service to diagnose and repair
F94	WiFi Board Failure (WiFi icon dark)	Call Service to diagnose and repair

* Applies to models with integrated mixing valve

Applies to models with sensing anode

Wiring Diagram





GE Appliances Electric Water Heater Limited Warranty

LIMITED WARRANTY

All warranty service is provided by our Factory Service Centers, or an authorized Customer Care® technician. To schedule service for your GE water heater call GE Water Heaters at 1-800-943-8186. Please have your serial number and your model number available when calling for service. Servicing your appliance may require the use of the onboard data port for diagnostics. This gives a GE Appliances factory service technician the ability to quickly diagnose any issues with your appliance and helps GE Appliances improve its products by providing GE Appliances with information on your appliance. If you do not want your appliance data to be sent to GE Appliances, please advise your technician not to submit the data to GE Appliances at the time of service

For The Period Of:	We Will Replace:
One Year From the date of the original purchase	Any factory specified part of the water heater which fails due to a defect in materials or workmanship. During this limited one-year warranty , we will also provide, free of charge, all labor and related service to replace the defective part.
Second through Tenth or Twelfth Year From the date of the original purchase	Any part of the Water Heater which fails due to a defect in materials or workmanship. During this limited second through the end of the warranty period , labor and related service to replace the defective part are not included. *Warranty is based on the 6th and 7th digit of model number located on rating plate (e.g.: GE50T 12 BLM has a part warranty of 12 years).

What Is Not Covered:

- Service trips to your home to teach you how to use the product.
- Improper installation, delivery or maintenance.
- Replacement parts shipping and handling and cost to remove defective part or tank after the first year limited warranty are NOT covered.
- Failure of the product if it is abused, misused, altered, or used for other than the intended purpose.
- Use of this product where water is microbiologically unsafe or of unknown quality, without adequate disinfection before or after the system.
- Replacement of house fuses or resetting of circuit breakers.
- Damage to the product caused by accident, lightning, fire, flood or acts of God.
- Incidental or consequential damage caused by possible defects with this appliance, its installation or repair.
- Product not accessible to provide required service in a safe manner. Attic installation must have flooring and accessible stairs.
- If product removed from original installation location.
- If product or other appliance must be moved for service access.
- Damage, malfunction or failure caused by the use of repair service not approved by GE Appliances.
- Damage, malfunction or failure caused by the use of unapproved parts or components.
- Damage, malfunction or failure caused by operating the water heater with the anode rod removed.
- Anode Rod inspection and replacement.
- Damage, malfunction or failure resulting from operating the water heater with an empty or partially empty tank.
- Damage, malfunction or failure caused by subjecting the tank to pressure greater than those shown on the rating label.
- Damage, malfunction or failure caused by operating the water heater with electrical voltage outside the voltage range listed on the rating label.
- Water heater failure due to the water heater being operated in a corrosive atmosphere.
- If this water heater is used for other than residential private family use, labor will not be covered under warranty, and the parts warranty is reduced to 1 year from the date of purchase.

EXCLUSION OF IMPLIED WARRANTIES—Your sole and exclusive remedy is product repair as provided in this Limited Warranty. Any implied warranties, including the implied warranties of merchantability or fitness for a particular purpose, are limited to one year or the shortest period allowed by law.

This limited warranty is extended to the original purchaser and any succeeding owner for products purchased for home use within the USA. If the product is located in an area where service by a GE Appliances Authorized Servicer is not available, you may be responsible for a trip charge or you may be required to bring the product to an Authorized GE Appliances Service location for service. In Alaska, the limited warranty excludes the cost of shipping or service calls to your home.

Some states do not allow the exclusion or limitation of incidental or consequential damages. This limited warranty gives you specific legal rights, and you may also have other rights which vary from state to state. To know what your legal rights are, consult your local or state consumer affairs office or your state's Attorney General.

For product purchased outside of the US, contact your dealer for Warranty and Service information.

Warrantor for Products Purchased in the United States:

GE Appliances, a Haier company

Louisville, KY 40225

Staple your receipt here. Proof of the original purchase date is needed to obtain service under the warranty.



Consumer Support

Register Your Appliance

Register your new appliance on-line at your convenience! Timely product registration will allow for enhanced communication and prompt service under the terms of your warranty, should the need arise.

- Scan QR Code on product registration card, or on product.



NOTE: This is just an example of what a QR code represents.

- Or go to **GEAppliances.com/register**
- Or mail in your pre-printed registration card included in the packing material

Consumer Service

If you have a question or need assistance with your new water heater on adjustments, repairs, or routine maintenance:

- Review the Troubleshooting Tips or Care and Cleaning sections of this Owner's Manual.
- Contact your local installer, plumbing contractor, or call GE Appliances Service and Support at 1-800-943-8186.

NOTE: Your installer phone number may be located on the product label.

If you still have issues, contact the GEA Customer Support at GEAppliances.com/waterheater

Parts and Accessories

Individuals qualified to service their own appliances can have parts or accessories sent directly to their homes. (VISA, MasterCard and Discover cards are accepted). Order on-line today 24 hours every day.

In the US, go to GEApplianceparts.com

Contact Us

If you are ultimately not satisfied with the service you receive, contact us on our Website with all the details including your phone number, or write to:

In the US: General Manager, Customer Relations |GE Appliances, Appliance Park |Louisville, KY 40225

GEAppliances.com/contact



Électrique à usage domestique CHAUFFES-EAU

INFORMATION SUR LA SÉCURITÉ3

CONSIGNES D'UTILISATION6
 Panneau de commande.....7
 Modes fonctionnement8
 Sélection de capacité flexible d'eau chaude (certains modèles).....8

COMMUNICATION AVEC LES ÉLECTROMÉNAGERS9

ENTRETIEN ET NETTOYAGE ...10

INSTRUCTIONS D'INSTALLATION14

CONSEILS DE DÉPANNAGE18
 Codes d'anomalie19
 Schéma de câblage19

GARANTIE LIMITÉE 21

SOUTIEN AU CONSOMMATEUR22

MANUEL D'UTILISATION

Modèles à commande électronique de marque GE

- GE30S**BLM
- GE30S**BMM
- GE30T**BLM
- GE40S**BLM
- GE40S**BMM
- GE40T**BLM
- GE50S**BLM
- GE50S**BMM
- GE50T**BLM

Inscrivez les numéros de modèle et de série ici :

No de modèle _____

No de série _____

Vous trouverez ces numéros sur l'étiquette apposée à l'avant de votre chauffe-eau.



Certified to NSF/ANSI 372

Voir http://info.nsf.org/Certified/Lead_Content/ for specific model listing



NOUS VOUS REMERCIONS D'ACCUEILLIR GE APPLIANCES CHEZ VOUS

Que vous ayez grandi avec GE Appliances ou qu'il s'agisse de votre première acquisition, nous sommes heureux de vous accueillir dans notre famille.

Nous sommes fiers du savoir-faire, de l'innovation et de l'esthétique qui composent chaque appareil GE Appliances, et nous pensons que vous le serez aussi. Dans cette optique, nous vous rappelons que l'enregistrement de votre électroménager vous assure la communication de renseignements importants sur le produit et la garantie lorsque vous en avez besoin.

Enregistrez votre électroménager GE en ligne dès maintenant. Des sites Web et des numéros de téléphone utiles figurent dans la section Soutien au consommateur de ce manuel d'utilisation. Vous pouvez aussi poster la fiche de garantie pré-imprimée incluse dans l'emballage.



GE APPLIANCES

INSTRUCTIONS IMPORTANTES DE SÉCURITÉ

LISEZ TOUTES LES INSTRUCTIONS AVANT UTILISANT LA APPAREIL

⚠ AVERTISSEMENT

Pour votre sécurité, vous devez suivre les instructions contenues dans ce manuel pour réduire les risques d'incendie ou d'explosion, d'électrocution ou pour prévenir les dommages matériels, les blessures ou la mort.

Assurez-vous de lire et de comprendre tout le manuel de l'utilisateur avant de tenter d'installer ou de faire fonctionner ce chauffe-eau. Vous sauverez du temps et de l'argent. Accordez une attention toute particulière aux directives de sécurité. Tout manquement à ces avertissements peut occasionner des blessures graves ou la mort. Si vous avez de la difficulté à comprendre les instructions contenues dans ce manuel ou si vous avez des questions, ARRÊTEZ et demandez de l'aide à un technicien qualifié ou à votre fournisseur d'électricité.

⚠ AVERTISSEMENT

Risque d'incendie - NE stockez PAS et N'utilisez PAS d'essence ou d'autres vapeurs et liquides inflammables à proximité de cet appareil ou de tout autre. Gardez les chiffons et combustibles à l'écart.

⚠ AVERTISSEMENT

Si le chauffe-eau a été soumis à une inondation, un incendie ou à des dommages matériels, coupez l'alimentation du chauffe-eau en électricité et en eau.

Ne pas utiliser le chauffe-eau tant qu'il n'a pas été complètement vérifié par un technicien de service qualifié.

Précautions de sécurité

A. Coupez l'alimentation au chauffe-eau si celui-ci a été soumis à une surchauffe, un incendie, une inondation ou des dommages physiques.

B. Ne rallumez pas le chauffe-eau s'il n'est pas rempli pas d'eau.

C. Ne rallumez pas le chauffe-eau si le robinet d'alimentation d'eau froide est fermé.

REMARQUE : Des vapeurs inflammables provenant des zones environnantes peuvent être amenées par des courants d'air jusqu'au chauffe-eau.

D. Si vous éprouvez des difficultés à comprendre les instructions d'utilisation suivantes ou la section d'entretien et nettoyage, nous vous suggérons de faire appel à une personne qualifiée pour accomplir le travail. the work.

⚠ ATTENTION

Risque d'incendie - L'essence ainsi que d'autres substances et liquides inflammables (adhésifs, solvants, etc.) et les émanations qu'ils produisant sont extrêmement dangereux. NE PAS manipuler, utiliser ou entreposer de l'essence ou d'autres substances inflammables ou combustibles près d'un chauffe-eau. L'arc électrique à l'intérieur de la commande du chauffe-eau peut allumer ces émanations. Le manquement à cette directive peut entraîner des dommages matériels, des blessures ou la mort.

⚠ POUR INSTALLATIONS DANS L'ÉTAT DE CALIFORNIE

Les lois de la Californie exigent que les chauffe-eau résidentiels soient fixés, ancrés ou attachés pour qu'ils ne tombent pas et qu'ils résistent aux mouvements horizontaux causés par les tremblements de terre. Pour les chauffe-eau résidentiels d'une capacité inférieure à 197 litres (52 gallons), vous pouvez vous procurer une brochure avec des instructions génériques de fixation pour les tremblements de terre en vous adressant à : Office of the State Architect, 400 P Street, Sacramento, CA 95814 ou vous pouvez téléphoner au 916.324.5315 ou demander à un distributeur de chauffe-eau.

Cependant, ce sont les codes municipaux applicables qui régissent l'installation. Pour les chauffe-eau résidentiels d'une capacité supérieure à 197 litres (52 gallons), adressez-vous aux autorités municipales pour connaître les procédures de fixation acceptables.

LIRE ET CONSERVER CES INSTRUCTIONS

INSTRUCTIONS IMPORTANTES DE SÉCURITÉ

LISEZ TOUTES LES INSTRUCTIONS AVANT UTILISANT LA APPAREIL

⚠ DANGER



L'eau à une température supérieure à 52 °C (125 °F) peut causer instantanément des brûlures graves ou la mort par ébouillantage.

Le réglage de la commande électronique de température est habituellement proche de la température de l'eau au robinet. Toutefois, certains facteurs peuvent causer une hausse de la température de l'eau pouvant aller jusqu'à 71 °C (160 °F), peu importe le réglage de la commande. Touchez toujours l'eau avant de vous baigner ou de prendre votre douche.

Les enfants et les personnes handicapées ou âgées sont plus à risque de s'ébouillanter.

Consultez les instructions contenues dans ce manuel avant de régler la température du chauffe-eau.

Touchez l'eau avant de vous baigner ou de prendre votre douche.

Des valves de limitation de la température sont vendues; consultez ce manuel.

RÉGLAGE DE LA TEMPÉRATURE DE L'EAU

La sécurité, la conservation d'énergie et la capacité d'eau chaude sont des facteurs à considérer lors du réglage de la température de l'eau du chauffe-eau. Une température de l'eau supérieure à 52 °C (125 °F) peut causer des brûlures graves ou la mort par ébouillantage. Assurez-vous de lire et de suivre les avertissements exposés sous l'image de l'étiquette ci-dessous. Cette étiquette est également sur le chauffe-eau près du dessus du réservoir.

Relation température/temps pour les brûlures

Température	Temps pour produire une brûlure grave
49°C (120°F)	Plus de 5 minutes
52°C (125°F)	1-1/2 à 2 minutes
44°C (130°F)	Environ 30 secondes
57°C (135°F)	Environ 10 secondes
60°C (140°F)	Moins de 5 secondes
63°C (145°F)	Moins de 3 secondes
66°C (150°F)	Environ 1-1/2 secondes
68°C (155°F)	Environ 1 seconde

Tableau courtoisie du Shriners Burn Institute

Le tableau ci-dessus peut servir de guide pour déterminer la température de l'eau de votre domicile.

⚠ DANGER Il existe une possibilité d'échaudure par eau très chaude si le réglage de la température de l'eau au thermostat est trop élevé. Les ménages avec enfants en bas âge, personnes âgées ou handicapées peuvent nécessiter un réglage de thermostat à 120 °F (49 °C) ou inférieur afin de prévenir le contact avec l'eau « TRÈS CHAUDE ».

La commande a été réglée à l'usine à 120 °F (49 °C) afin de réduire le risque de blessure par échaudure. Il s'agit du réglage de température initial recommandé mais on peut aussi régler la température entre 100 °F et 140 °F (38 °C et 60 °C).

Pour régler la température

Suivez ces étapes :

1. Appuyez sur le bouton + ou - sur le clavier du panneau de commande pour régler la température désirée.
2. Appuyez sur ENTER pour accepter le nouveau réglage.

REMARQUE : Pour basculer entre °F et °C, maintenez une pression sur MODE.

LIRE ET CONSERVER CES INSTRUCTIONS

INSTRUCTIONS IMPORTANTES DE SÉCURITÉ

LISEZ TOUTES LES INSTRUCTIONS AVANT UTILISANT LA APPAREIL

DISPOSITIFS DE SÉCURITÉ

Le chauffe-eau est équipé d'un thermostat combiné à un coupe-circuit thermique de limite haute (ECO) situé au-dessus de l'élément chauffant en contact avec la surface du réservoir. Si pour une raison quelconque la température de l'eau devient excessivement élevée, le coupe-circuit de limite haute (ECO) coupe le circuit de l'élément chauffant. Une fois le coupe-circuit ouvert, il doit être réinitialisé. La réinitialisation du coupe-circuit doit être effectuée pour un technicien qualifié.

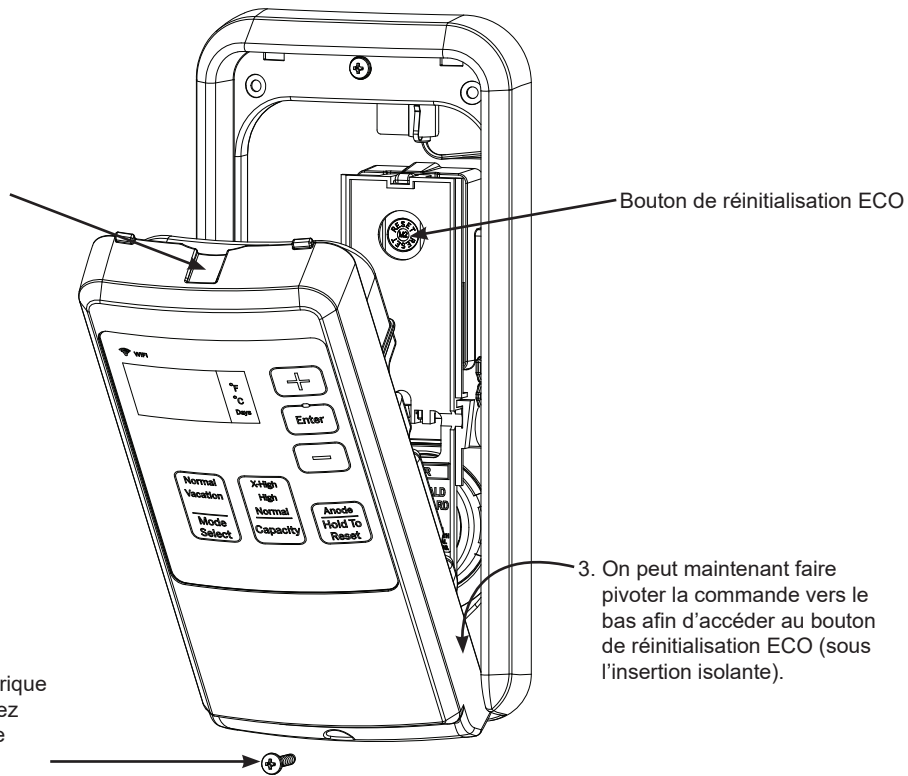
ATTENTION La cause de la température élevée doit être déterminée par un technicien qualifié et des mesures de correction doivent être prises avant la remise en service du chauffe-eau.

Pour réinitialiser la commande de limitation de température:

1. Coupez l'alimentation électrique du chauffe-eau.
2. Retirez le(s) panneau(x) d'accès et l'isolation. Le couvercle de protection du thermostat ne doit pas être retiré.
3. Appuyez sur le bouton rouge marqué RESET (réinitialiser).
4. Remplacez l'isolant et le/les panneau(x) d'accès avant de reconnecter le chauffe-eau à l'alimentation électrique.
5. Assurez-vous que le chauffe-eau fonctionne correctement une fois le dispositif ECO réinitialisé.

2. À l'aide d'un tournevis à lame plate, abaissez le boîtier de la commande d'environ 1/8 po (3 mm) à l'encoche du haut afin de permettre la rotation de la commande pour l'ouverture.

1. Une fois l'alimentation électrique coupée au disjoncteur, retirez la vis à la base du boîtier de la commande à l'aide d'un tournevis à tête cruciforme.



LIRE ET CONSERVER CES INSTRUCTIONS

Consignes d'utilisation

Capacité du chauffe-eau et augmentation du point de réglage de la température (pour chauffe-eau sans robinet mélangeur intégré) :

Le réglage de la température du chauffe-eau a un impact important sur la quantité d'eau chaude disponible pour la douche ou le bain.

- Les tests de consommation/d'économie d'énergie et d'efficacité des chauffe-eaux sont réalisés conformément aux exigences du Department of Energy (DOE) spécifiées à la date de fabrication.
- La réglementation de sécurité exige que le réglage d'usine de tous les nouveaux chauffe-eau soit inférieur ou égal à 125 °F (52 °C).

Par conséquent, si votre vieux chauffe-eau était réglé à une température plus chaude que le nouveau dont le point de réglage d'usine est de 120 °F (49 °C), le nouveau peut sembler fournir une capacité moindre que le vieux. Vous pouvez corriger cela en augmentant le point de réglage de la température.

- On peut prolonger la durée d'un contenu d'eau chaude de 25 % en passant de 120 °F à 135 °F (49 °C à 57 °C) car moins d'eau chaude sera mélangée au robinet ou au pommeau.
- Augmenter le réglage de température peut améliorer l'efficacité de lavage du lave-vaisselle ou de la machine à laver.
- L'utilisateur peut donc régler la température selon ses besoins. Lisez et assimilez toujours les instructions de sécurité du manuel d'utilisation avant de régler la température.

Robinets mélangeurs

- Avec les modèles à robinet mélangeur électronique intégré, on peut augmenter la capacité d'eau chaude en modifiant le réglage de capacité sur la commande, tout en conservant la température d'eau à la sortie. Voyez la page 8 pour des instructions sur l'augmentation de la capacité d'eau chaude.
- Si votre modèle n'est pas équipé d'un robinet mélangeur électronique intégré : on peut trouver dans le commerce un robinet mélangeur servant à réduire la température de l'eau au point d'utilisation par mélange de l'eau chaude et froide provenant des conduites secondaires. Contactez un plombier agréé ou l'autorité locale en matière de plomberie pour plus d'information.

Périodes d'arrêt prolongé

Si vous prévoyez ne pas utiliser le chauffe-eau durant une longue période, coupez l'alimentation électrique et de l'eau à l'appareil et vidangez le chauffe-eau afin de conserver l'énergie et prévenir l'accumulation dangereuse de l'hydrogène. Cet appareil n'étant pas muni d'un interrupteur, il faut couper l'alimentation électrique au disjoncteur ou au sectionneur.

Il faut vidanger le chauffe-eau et la tuyauterie s'ils risquent d'être exposés au gel.

Après une longue période d'arrêt, un technicien qualifié doit vérifier le fonctionnement et les commandes du chauffe-eau. Assurez-vous de remplir le chauffe-eau complètement avant de le faire fonctionner.

REMARQUE : Lisez la mise en garde relative à l'hydrogène dans les instructions de fonctionnement (voir la page 3).

Panneau de commande

Affichage du point de réglage de la température

La commande affichera le réglage de température sur pression de n'importe quel bouton de la commande. Après 30 secondes d'inactivité, l'afficheur redevient vierge. Notez que la sélection du mode et de la capacité (si présents) va demeurer illuminée en mode de veille. Pour activer la commande à tout moment pour voir le réglage de température, appuyez sur n'importe quel bouton de la commande.

Mise sous tension du chauffe-eau

Cet appareil ne comporte aucun bouton de mise sous tension. Il se mettra en marche une fois câblé et alimenté par le courant électrique. L'afficheur indiquera le réglage de température d'eau actuel.

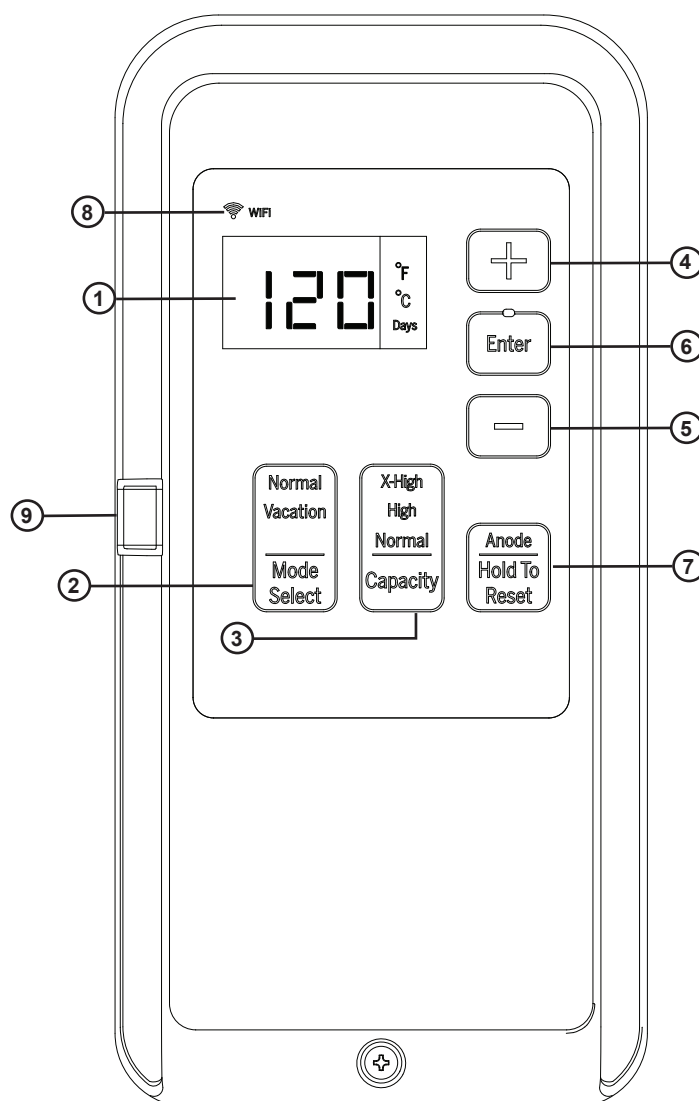
Pour satisfaire la réglementation de sécurité, la commande est pré-réglée en usine à 120 °F (49 °C).

Réglage de la température

Suivez ces étapes :

1. Appuyez sur le bouton + ou - sur le clavier du panneau de commande pour régler la température désirée.
2. Appuyez sur ENTER pour accepter le nouveau réglage.

REMARQUE : Pour basculer entre °F et °C, maintenez une pression sur le bouton de sélection du mode.



Fonctions de la commande

1. Afficheur

2. Bouton de sélection de mode et voyant de mode

Utilisez ce bouton pour alterner entre les modes Normal et Vacation (vacances). Il faut presser la touche Enter pour confirmer la sélection.

3. Bouton de sélection de la capacité du réservoir et voyant d'état (certains modèles)

Utilisez ce bouton pour alterner entre les capacités Normal (normale), High (élevée) et X-High (très élevée). Il faut presser la touche Enter pour confirmer la sélection.

4. Bouton de sélection +

Utilisez ce bouton pour augmenter le réglage de température ou le nombre de jours de vacances.

5. Bouton de sélection -

Utilisez ce bouton pour diminuer le réglage de température ou le nombre de jours de vacances.

6. Touche Enter (entrer)

Utilisez ce bouton pour confirmer le réglage de température après l'avoir saisi.

7. Réinitialisation de l'anode et voyant de remplacement (si équipé)

Lorsque le texte de l'anode est illuminé et l'anomalie F70 affichée, le système signale que la tige d'anode approche de sa fin de vie et qu'il est recommandé de la remplacer. Appuyez sur le bouton une fois pour faire taire l'alarme. Maintenez une pression durant 5 secondes pour réinitialiser l'alarme de l'anode après son remplacement. Appelez l'installateur/réparateur pour remplacer la tige d'anode. Les coordonnées de l'installateur/réparateur sont situées près de la plaque signalétique de l'appareil, ou contactez l'assistance à la clientèle GE Appliances sur GEAppliances.com/waterheater. L'omission de remplacer la tige d'anode annulera la garantie et peut occasionner une fuite du réservoir. (Voyez la page 12 pour des instructions sur le remplacement de la tige d'anode.)

8. Voyant Wi-Fi

S'allume lorsque la connexion est établie, clignote durant le mode de configuration.

9. Port du module de communication de l'électroménager

Pour utilisation avec les modules de service et d'accessoires en option. Visitez GEAppliances.com/waterheaters pour plus de renseignements.

Modes fonctionnement

Par défaut, ce chauffe-eau s'active dans le mode de fonctionnement Normal.

Pour sélectionner le mode Vacation :

1. Appuyez sur le bouton MODE jusqu'à voir Vacation (vacances) s'allumer.
2. Appuyez sur Enter pour confirmer la sélection.
3. Pour revenir en mode Normal, répétez les étapes 1 et 2 une fois le mot « Normal » illuminé.

Mode Vacation (vacances)

Cette fonction est recommandée lorsque vous êtes loin de votre domicile pendant longtemps, sans nécessité de maintenir l'eau chaude. Dans ce mode, l'appareil abaisse le réglage de la température de l'eau à 50 °F (10 °C) et utilise le mode de chauffage le plus efficace pour économiser l'énergie pendant que le chauffe-eau est inactif. L'appareil va redémarrer le chauffage normal une journée avant votre retour afin que de l'eau suffisamment chaude soit disponible.

Pour régler le mode Vacation :

1. Sélectionnez Vacation en appuyant sur le bouton MODE.

2. Entrez le nombre total de jours où vous serez absent en appuyant sur le bouton +/- . La valeur par défaut est 7 jours, la valeur maximale est 199, ou vous pouvez demeurer dans le mode Vacation indéfiniment en sélectionnant « --- ».

3. Appuyez sur Enter pour confirmer la sélection

Par exemple, si vous partez durant 14 jours, réglez le mode Vacation mode pour 14 jours en suivant les étapes ci-dessus. Le réglage de température sera automatiquement abaissé à 50°F (10°C) durant 13 jours. À la fin du 13e jour, l'appareil retournera dans le mode de fonctionnement normal et le réglage de température sera réinitialisé pour assurer la disponibilité d'eau chaude à votre retour.

Sélection de capacité flexible d'eau chaude (certains modèles)

Lorsqu'elle est activée, cette fonction stocke l'eau à des températures d'eau plus élevées. À mesure que l'eau très chaude stockée quitte le réservoir, de l'eau froide y est mélangée afin de maintenir le point de réglage désiré. Ce mélange augmente la disponibilité d'eau chaude. Par défaut, le chauffe-eau s'active avec le réglage de capacité d'eau chaude Normal, lequel est utilisé pour calculer le coût de fonctionnement annuel (avec un réglage de sortie d'eau à 125 °F).

Pour modifier le réglage de capacité du réservoir :

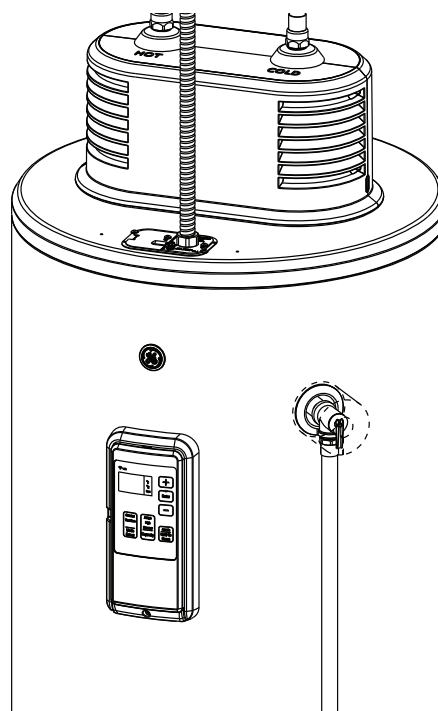
1. Appuyez sur le bouton Capacity jusqu'à voir High (élevée), X-High (très élevée) ou Normal s'allumer.
2. Confirmez la sélection en appuyant sur la touche Enter.

Options de capacité (basée sur un réglage de température à la sortie de 120 °F par défaut et une température de 58 °F à l'entrée) :

Normal : Aucune augmentation de capacité d'eau chaude au réglage de l'eau de sortie.

High : Augmente la capacité d'eau chaude de 40 %.

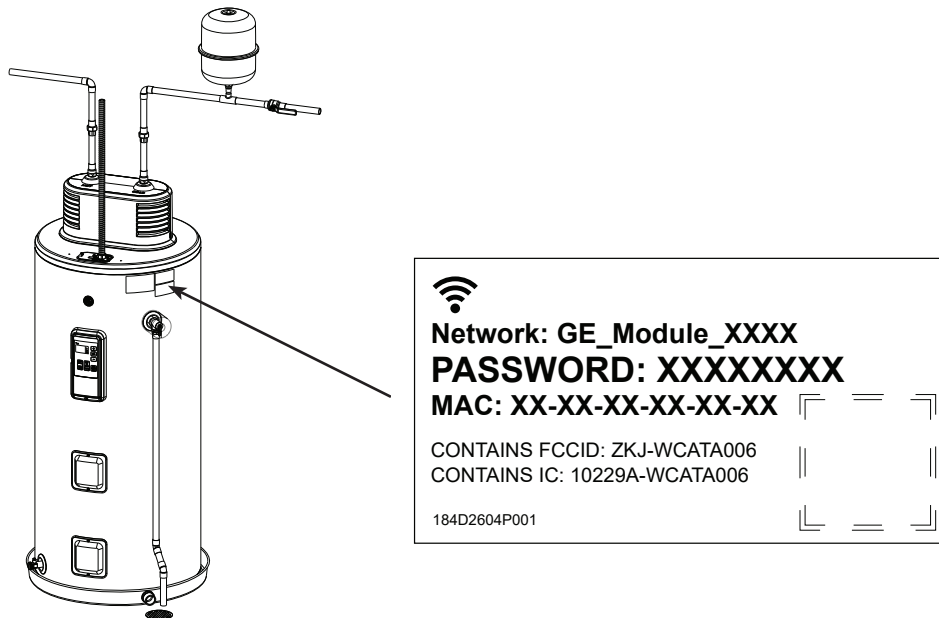
X-High : Augmente la capacité d'eau chaude de 60 %.



Communication avec les électroménagers

Connexion Wi-Fi GE Appliances (clients aux États-Unis)

Compatibilité de connexion Wi-Fi aux électroménagers GE* - Si votre chauffe-eau est muni d'une étiquette d'information sur la connexion d'électroménagers située sur l'extérieur comme illustré ci-dessous, alors votre modèle est compatible avec la connexion Wi-Fi GE. Une carte de communication WiFi est intégrée dans votre produit, lui permettant de communiquer avec votre téléphone intelligent pour surveillance, contrôle et notification à distance. Veuillez visiter [GEAppliances.com /connect](http://GEAppliances.com/connect) pour obtenir plus d'informations sur les fonctions de connexion pour électroménagers et les applications compatibles avec votre téléphone intelligent.
***Certains modèles seulement**



Connectivité WiFi : Pour obtenir de l'assistance concernant votre électroménager ou la connectivité en réseau ConnectPlus (pour modèles à fonctionnalité WiFi intégrée ou optionnelle), veuillez composer le 1-800-220-6899.

RENSEIGNEMENTS RÉGLEMENTAIRES

Déclaration de conformité de la FCC/IC :

Cet appareil est conforme aux prescriptions de la partie 15 des règles de la FCC. Le fonctionnement de cet équipement est assujéti aux deux conditions suivantes :

1. Cet appareil ne doit pas causer de brouillage préjudiciable.
2. Cet appareil doit accepter tout brouillage qu'il reçoit, y compris celui pouvant entraîner un fonctionnement indésirable.

Cet équipement a été testé et déclaré conforme aux limites imposées pour un appareil numérique de Classe B, conformément à la partie 15 de la réglementation FCC. Ces limites sont conçues pour assurer une protection raisonnable contre le brouillage nuisible dans une installation résidentielle. Cet équipement génère, utilise et émet des fréquences radio qui, en cas d'une installation erronée ou d'une utilisation non-conforme aux instructions de ce manuel d'utilisation peuvent causer un brouillage nuisible aux communications radio. Il n'y a cependant aucune garantie qu'un brouillage nuisible ne se produira pas dans une installation donnée. Si cet équipement cause un brouillage nuisible sur votre poste radio ou de télévision, ce que vous pouvez déterminer en éteignant et en rallumant votre équipement, il est conseillé à l'utilisateur d'essayer de pallier à ce brouillage nuisible en prenant l'une ou l'autre des mesures suivantes :

- Réorienter ou repositionner l'antenne de réception.
- Augmenter la distance entre l'équipement et le récepteur.
- Brancher l'équipement dans une prise d'un circuit qui diffère de celui auquel le récepteur est branché.
- Consulter le revendeur ou un technicien en radio-télévision expérimenté pour obtenir de l'aide.

Étiquetage : Les modifications non explicitement approuvées par le fabricant peuvent annuler le droit de l'utilisateur de se servir de cet équipement.

Ce produit est doté d'une capacité Wi-Fi et nécessite une connexion Internet et un routeur sans fil pour permettre l'interconnexion avec un système de gestion d'énergie et/ou d'autres périphériques, systèmes or applications extérieurs.

Entretien et nettoyage

Surfaces Extérieures

Nettoyez à la main à l'aide d'un linge humide imbibé d'eau tiède seulement. Séchez en essuyant avec un linge sec et propre.

Entretien préventif régulier

▲ DANGER Risque d'échaudure - Avant de manipuler la soupape de décharge, assurez-vous que personne n'est exposé à l'eau très chaude évacuée par le robinet. L'eau peut s'avérer suffisamment chaude pour poser un risque d'échaudure. L'eau doit être évacuée dans un drain approprié afin de prévenir les blessures et les dommages.

REMARQUE : Si la soupape de décharge et de sécurité thermique se décharge périodiquement, cela peut être causé par la dilatation thermique se produisant dans un système d'eau fermé. Contactez le fournisseur d'eau ou le plombier pour corriger la situation. Ne bouchez pas l'orifice de sortie de la soupape de décharge.

Correctement entretenu, votre chauffe-eau vous procurera de nombreuses années de service sans soucis. Nous vous suggérons d'établir le programme d'entretien préventif annuel suivant.

1. Inspection de la soupape de décharge et de sécurité thermique.
2. Inspection des éléments chauffants, du dispositif ECO et du câblage de chacun.
3. Vidange et rinçage du réservoir du chauffe-eau.
4. Retrait et inspection de la tige d'anode.

Température et soupape de décharge:

Une fois l'an, nous recommandons de lever et relâcher le levier de la soupape de décharge et de sécurité thermique située sur le côté avant droit du chauffe-eau afin de vérifier qu'elle fonctionne librement. Laissez plusieurs gallons s'écouler par le tuyau de vidange jusque dans un drain ouvert.

Éléments chauffants et dispositif ECO:

Une fois l'an, nous recommandons d'inspecter les éléments chauffants, le dispositif ECO et le câblage de chacun. L'inspection doit être réalisée par un technicien qualifié en réparation d'appareils électriques.

Même neufs, tous les appareils électriques émettent des sons lorsqu'ils fonctionnent. Un sifflement ou un bourdonnement excessif peut indiquer la nécessité de nettoyer l'élément chauffant. Contactez un installateur ou un plombier qualifié pour inspection.

Vidange et rinçage du chauffe-eau

▲ ATTENTION Risque de choc électrique – Coupez l'alimentation électrique au chauffe-eau avant de vidanger l'eau.

▲ DANGER Risque de brûlure – Avant d'utiliser la soupape de sécurité, assurez-vous que personne ne

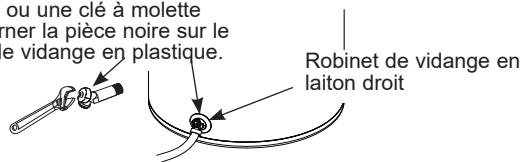
sera exposé à l'eau chaude évacuée par la soupape. L'eau évacuée du réservoir peut être suffisamment chaude pour poser un risque de brûlure et elle doit être dirigée vers un drain approprié afin de prévenir les blessures et les dommages.

Un réservoir de chauffe-eau peut agir comme un décanteur de solides en suspension dans l'eau. Il n'est donc pas rare de voir s'accumuler des dépôts d'eau dure dans le fond du réservoir.

Pour éliminer ces dépôts du réservoir, nous recommandons de vidanger et rincer le réservoir une fois l'an. Pour drainer le chauffe-eau, suivez ces étapes :

1. Coupez l'alimentation électrique à l'appareil. Les éléments chauffants seront endommagés s'ils fonctionnent sans eau.
2. Fixez un tuyau d'arrosage au robinet de vidange situé au bas de l'appareil et dirigez-le vers un drain.
3. Fermez l'alimentation en eau froide.
4. Introduisez de l'air dans le réservoir en ouvrant le robinet d'eau chaude ou en levant la poignée de la soupape de sécurité.
5. Ouvrez le robinet de vidange

Utiliser un tournevis à lame plate pour tourner le robinet de vidange en laiton ou une clé à molette pour tourner la pièce noire sur le robinet de vidange en plastique.



Rinçage du réservoir :

1. Suivez les étapes ci-dessus pour vidanger le chauffe-eau.
2. Une fois le chauffe-eau vidé, avec robinet de vidange ouvert et tuyau d'arrosage fixé au robinet de vidange, ouvrez l'alimentation en eau froide.
3. Laissez plusieurs litres couler par le robinet de vidange et le tuyau d'arrosage jusqu'à un drain ouvert.
4. Fermez l'alimentation en eau froide et attendez que l'eau qui reste dans le réservoir se vidange totalement.
5. Répétez les étapes 3 et 4 jusqu'à ce que l'eau de vidange devienne limpide.
6. Fermez le robinet de vidange et remplissez le réservoir avant de rétablir l'électricité à l'appareil. Le réservoir est plein lorsque de l'eau s'écoule d'un robinet d'eau chaude à proximité.

Entretien et nettoyage

Entretien préventif régulier

Tige d'anode

Les tiges d'anode sont conçues et installées de façon à protéger et augmenter la durée de vie des réservoir d'eau résidentiels.

La tige d'anode doit être retirée du réservoir du chauffe-eau et inspectée annuellement, et remplacée lorsque plus de 6 po (15,2 cm) de son fil central est exposé à l'une ou l'autre extrémité de la tige.* **REMARQUE** : L'eau adoucie artificiellement causera une consommation plus rapide de la tige d'anode.

Afin de prévenir les décharges électriques et les fuites d'eau accidentelles, cette inspection doit être réalisée par un réparateur ou un plombier qualifié, et nécessite de couper l'alimentation électrique et d'eau froide avant le travail sur la tige d'anode.

AVIS : Ne retirez pas la tige d'anode du réservoir du chauffe-eau sauf pour inspection et/ou remplacement, puisque le fonctionnement sans tige d'anode réduira la durée de vie du réservoir à revêtement en verre et annulera la garantie.

Certaines régions comportent des conditions d'eau susceptibles de développer une odeur dans le chauffe-eau. Des tiges composées d'un alliage spécial sont offertes pour solutionner cette condition.

***REMARQUE** : L'omission de remplacer l'anode lorsqu'elle est consommée annulera la garantie du réservoir. Pour tous les autres composants, la couverture sous garantie demeure intacte, sans être modifiée par cette exigence d'entretien. L'inspection d'usure et la tige d'anode de rechange ne sont pas couvertes par la garantie.

Information supplémentaire pour les modèles avec détection d'usure d'anode (bouton Anode sur la commande de ces modèles) :

Lorsque la tige d'anode avec détection d'usure approche de sa fin de vie, le mot ANODE s'illumine et la commande émet un bip et affiche F70. Lorsque cela se produit, il faut inspecter et remplacer la tige d'anode si le fil central dans le haut de l'anode est exposé.* On recommande de remplacer la tige d'anode dès que possible pour continuer d'assurer la protection du réservoir contre la corrosion. Appelez l'installateur ou un réparateur pour commander la tige d'anode et la re remplacer. (Voyez la page 12 pour des instructions sur le remplacement de la tige d'anode.)

Appuyez sur le bouton ANODE une fois pour faire taire l'alarme. Une fois remplacée, réinitialisez l'alarme en maintenant une pression sur le bouton ANODE durant 5 secondes jusqu'à ce que la commande émette des bips et le voyant Anode s'éteigne.

Si vous installez une tige d'anode en alliage spécial pour résoudre le problème d'odeur de l'eau, vous devez désactiver la fonction de détection d'usure de l'anode. Dans ce cas, une inspection annuelle est requise puisque le chauffe-eau n'est plus en mesure de détecter une tige d'anode consommée.

Pour désactiver cette fonction :

1. Lors de la mise sous tension suivant l'installation de la tige d'anode en alliage spécial, une alarme retentira et le code F41 s'affichera. Appuyez sur le bouton ANODE pour faire taire l'alarme.

2. Appuyez 3 fois sur le bouton ANODE. Le mot « Off » ou « On » s'affichera pour confirmer la désactivation ou l'activation de la fonction.

Pour activer la fonction après l'installation d'une nouvelle tige d'anode avec détection d'usure, suivez l'Étape 2 ci-dessus.

Remarque : Si l'afficheur est vierge, appuyez sur n'importe quel bouton pour activer la commande avant d'entrer une combinaison de boutons.

REMARQUE : L'installation d'un dispositif qui coupe périodiquement le courant au chauffe-eau peut avoir une incidence sur la précision de la fonction de détection d'usure de la tige d'anode de sorte qu'il faudra inspecter cette dernière tous les 2 à 3 ans.

Si le chauffe-eau restera inactif durant une longue période sans qu'il soit drainé, on recommande de le laisser sous tension en mode Vacation (vacances) pour s'assurer que la fonction continue de fonctionner correctement tout en économisant l'énergie.

REMARQUE : Lisez la mise en garde relative à l'hydrogène dans les instructions de fonctionnement (voir la page 3).

Entretien et réparation de la tige d'anode

⚠ ATTENTION-CONSIGNES DE SÉCURITÉ IMPORTANTES

Cette information est destinée aux personnes qui possèdent une compétence adéquate en électricité, électronique et mécanique. Toute tentative de réparer un gros appareil peut causer des blessures corporelles et des dommages aux biens. Le fabricant ou le vendeur ne peuvent être tenus responsables de l'interprétation ou de l'utilisation de cette information.

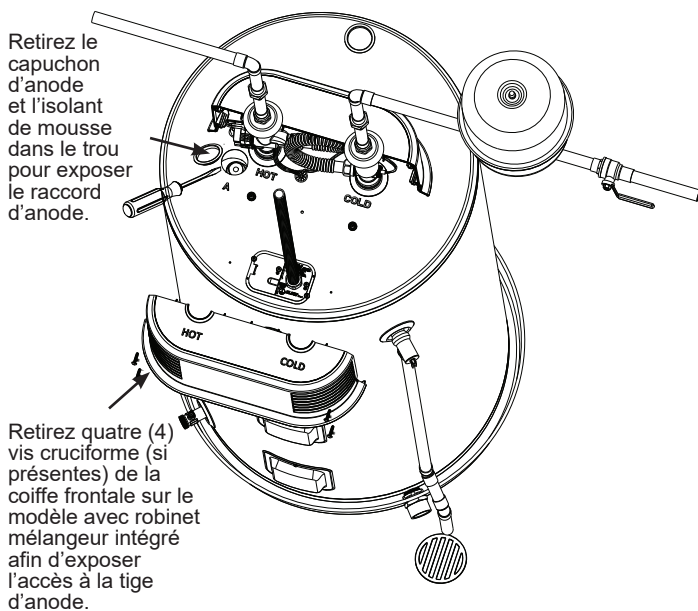
Outils requis :

- Tournevis à lame plate.
 - Clé à douille/dynamométrique
 - Douille 1 1/16 po (27 mm)
 - Pâte à joint ou ruban pour joint fileté
 - Tige d'anode si nécessaire.
- * Voir la page 8 pour la commande de pièces.

Pour réparer la tige d'anode:

1. Coupez l'alimentation électrique, fermez l'alimentation d'eau et vidangez un ou deux gallons du chauffe-eau par le robinet de drainage inférieur.
2. Retirez le capuchon d'anode et l'isolant en mousse dans le trou à l'aide d'un tournevis à lame plate afin d'exposer le raccord d'anode comme indiqué sur l'illustration A.

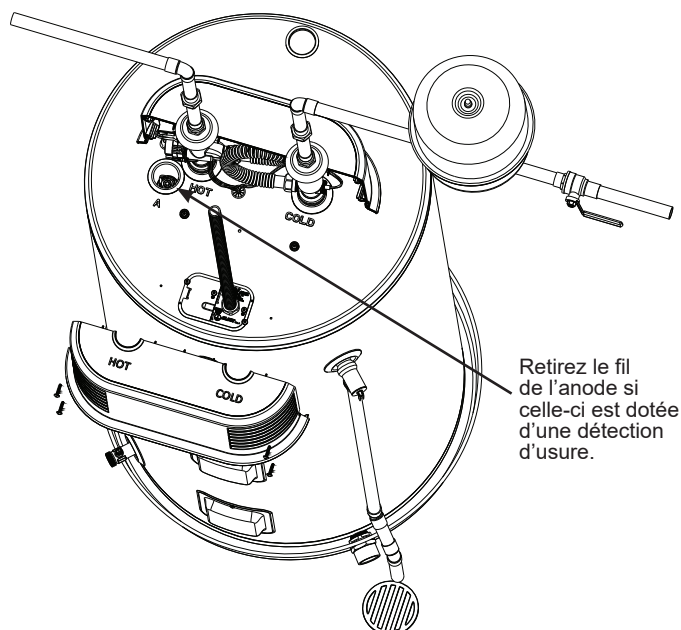
Illustration B (l'aspect varie selon le modèle)



3. À l'aide d'une douille 1 1/16 po (27 mm), dévissez la tige d'anode, puis soulevez-la pour inspection comme indiqué sur l'illustration B.

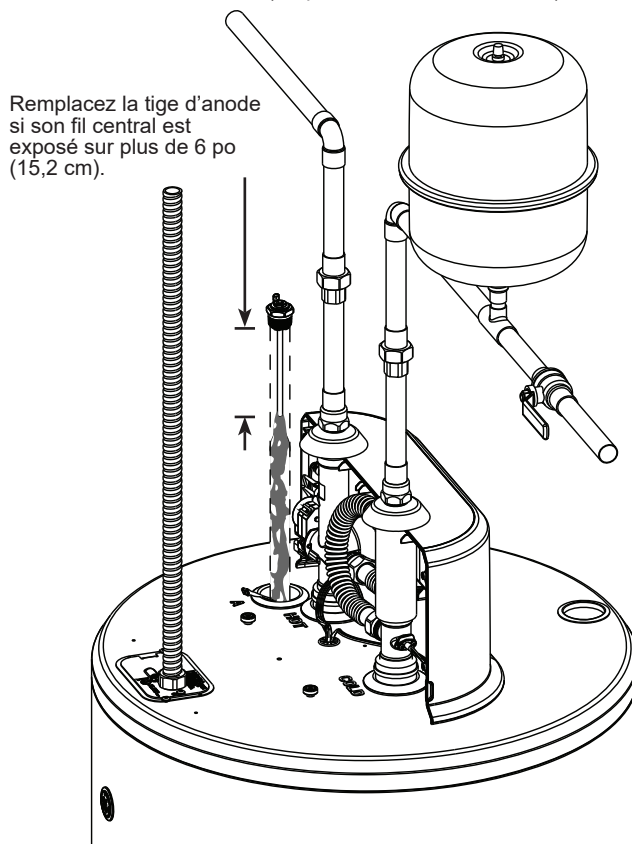
REMARQUE : Pour les modèles avec fonction d'anode de détection, le raccord d'anode est déjà exposé (voir illustration C). Le fil attaché au raccord d'anode doit être détaché avant l'étape suivante.

Illustration C (l'aspect varie selon le modèle)



4. À l'aide d'une douille ou clé 1 1/16 po (27 mm), dévissez la tige d'anode, puis soulevez-la pour inspection comme indiqué sur l'illustration D.

Illustration D (l'aspect varie selon le modèle)



Entretien et réparation de la tige d'anode

5. Remplacez la tige d'anode (avec une anode du même type que celle retirée — soit à détection d'usure ou standard) si plus de 6 po du fil central est exposé. Contactez l'installateur ou le réparateur pour remplacer correctement l'anode ou contactez l'assistance clientèle GEA sur GEAppliances.com/waterheater.
6. Pour installer la tige d'anode
 - a. Scellez le filetage à l'aide d'une pâte à joint ou de ruban scellant pour tuyaux.
 - b. Vissez la tige dans l'orifice et serrez avec une clé dynamométrique à 50 +/- 5 lb-pi (68 +/- 7 N-m).
7. Ouvrez l'alimentation d'eau, ouvrez un robinet pour expulser l'air emprisonné dans les conduites d'eau et vérifiez l'absence de fuites. Réparez toute fuite avant de continuer.
8. Reconnectez le fil sur le raccord d'anode (pour les modèles avec détection d'usure de l'anode) ou remplacez le capuchon d'anode (pour les modèles standard sans détection).
9. Remontez la coiffe frontale précédemment retirées à l'étape 2, si présente.
10. Mettez l'appareil sous tension. Si l'anode avec détection d'usure a été remplacée par une tige sans détection en alliage spécial, il faut désactiver la fonction de détection d'usure de l'anode et enrober l'extrémité non attaché du fil avec du ruban électrique. Voyez la page 12 pour des instructions sur l'activation ou la désactivation de l'anode à détection d'usure.
11. Réinitialisez le voyant de remplacement ANODE (si équipé) en maintenant une pression sur le bouton ANODE durant 10 secondes pour indiquer qu'une nouvelle tige d'anode à détection d'usure est installée.

Instructions d'installation

L'emplacement choisi pour le chauffe-eau doit prendre en considération les éléments suivants:

RÈGLEMENTS MUNICIPAUX RELATIFS AUX INSTALLATIONS

Ce chauffe-eau doit être installé conformément à ces instructions, aux codes municipaux, aux codes des services publics, selon les exigences de la compagnie ou, en l'absence de réglementation municipale, conformément au Code national de l'électricité. Il est disponible dans certaines librairies ou peut être acheté auprès de l'association nationale de la prévention d'incendie (Batterymarch park, Quincy, MA 02169, USA, comme feuillet ANSI/NFPA 70).

EXIGENCES EN MATIÈRE D'ALIMENTATION ÉLECTRIQUE

Vérifiez les inscriptions sur la plaque signalétique du chauffe-eau pour vous assurer que l'alimentation électrique correspond aux exigences du chauffe-eau.

REMARQUE : Les installations à 208V peuvent avoir des performances moindres.

EMPLACEMENT

Le chauffe-eau et les conduites d'eau doivent être protégés du gel et des atmosphères hautement corrosives. N'installez pas le chauffe-eau en extérieur ou dans des zones exposées.

Localisez le chauffe-eau dans un endroit propre et sec aussi proche que possible de la zone de plus forte demande en eau chaude. De longues conduites d'eau chaude non isolées vont gaspiller de l'énergie et l'eau. L'appareil doit être installé dans un endroit de niveau. Si nécessaire, mettez l'appareil de niveau en ajoutant des cales sous sa base afin qu'il fonctionne bien.

REMARQUE : Cet appareil est conçu pour une installation intérieure normale.

Une installation correcte fait en sorte que les panneaux frontaux sont accessibles pour entretenir ou réparer le chauffe-eau. Les instructions d'installation de référence se trouvent dans le présent manuel.

Le déplacement du chauffe-eau ou d'autres appareils afin de procurer un service de réparation du chauffe-eau n'est pas couvert par la garantie.

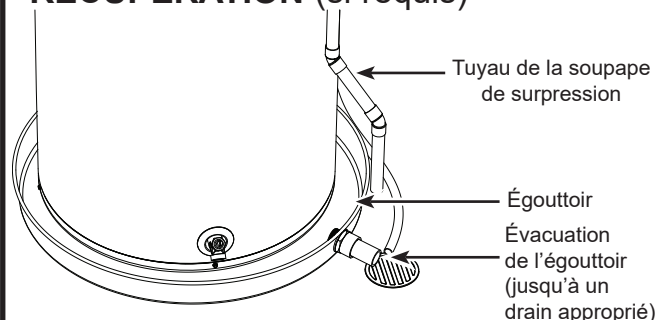
⚠ ATTENTION **Risque de dommage matériel**
- Le chauffe-eau doit être placé dans un endroit où les fuites d'eau provenant du réservoir ou des raccords n'endommageront pas la zone autour de l'appareil ou les étages inférieurs. Lorsque que de tels emplacements ne peuvent être évités, il est recommandé d'installer un bac de récupération d'eau avec un système d'évacuation approprié en dessous de l'appareil.

EMPLACEMENT (Suite)

Dégagements nécessaires:

Un dégagement suffisant doit se trouver entre tout objet et le dessus, l'arrière et les côtés du chauffe-eau dans l'éventualité d'une intervention. L'accès aux commandes et au drain devant l'appareil doit être libre pour le fonctionnement et l'entretien ou la réparation. Les installations qui exigent un dégagement minimal sur les côtés ou l'arrière du chauffe-eau pour les sangles antisismiques sont aussi acceptables. **Dans ces cas, il faut allouer un dégagement supplémentaire du côté opposé de l'appareil pour l'accès de service. Pour cette situation, un espace libre additionnel doit être pourvu sur le côté opposé de l'appareil pour offrir un accès lors des réparations.**

INSTALLATION DU BAC DE RÉCUPÉRATION (si requis)



REMARQUE : Le bac de récupération de l'eau doit être conforme aux codes municipaux. Des nécessaires d'installation de bac de récupération sont disponibles auprès du détaillant où le chauffe-eau a été acheté, un magasin de matériaux de construction ou un revendeur de chauffe-eau. L'égouttoir doit être d'une largeur supérieure de 5,1 cm (2 po), au minimum, par rapport au diamètre de la base du chauffe-eau. Pour prévenir la corrosion et améliorer l'accès à la soupape de surpression, il est recommandé de placer le chauffe-eau sur des espaceurs à l'intérieur de l'égouttoir.

EXPANSION THERMIQUE

La présence d'un clapet antiretour sur la conduite d'eau d'admission crée un « système fermé ». Chauffer de l'eau dans un système fermé augmente la pression car celle-ci ne peut se dissiper dans la conduite d'alimentation principale. Désignée « expansion thermique », l'accroissement rapide de pression peut déclencher la soupape de sécurité (évacuant de l'eau) pendant chaque cycle de chauffage, ce qui peut causer une défaillance prématurée de la soupape ou même du chauffe-eau. La méthode suggérée pour contrôler l'expansion thermique consiste à installer un réservoir d'expansion sur la conduite d'eau froide entre le chauffe-eau et le clapet antiretour, comme montré dans les illustrations suivantes. Communiquez avec votre installateur, votre fournisseur d'eau ou l'inspecteur en plomberie pour de plus amples renseignements.

RACCORDEMENT À L'ALIMENTATION EN EAU

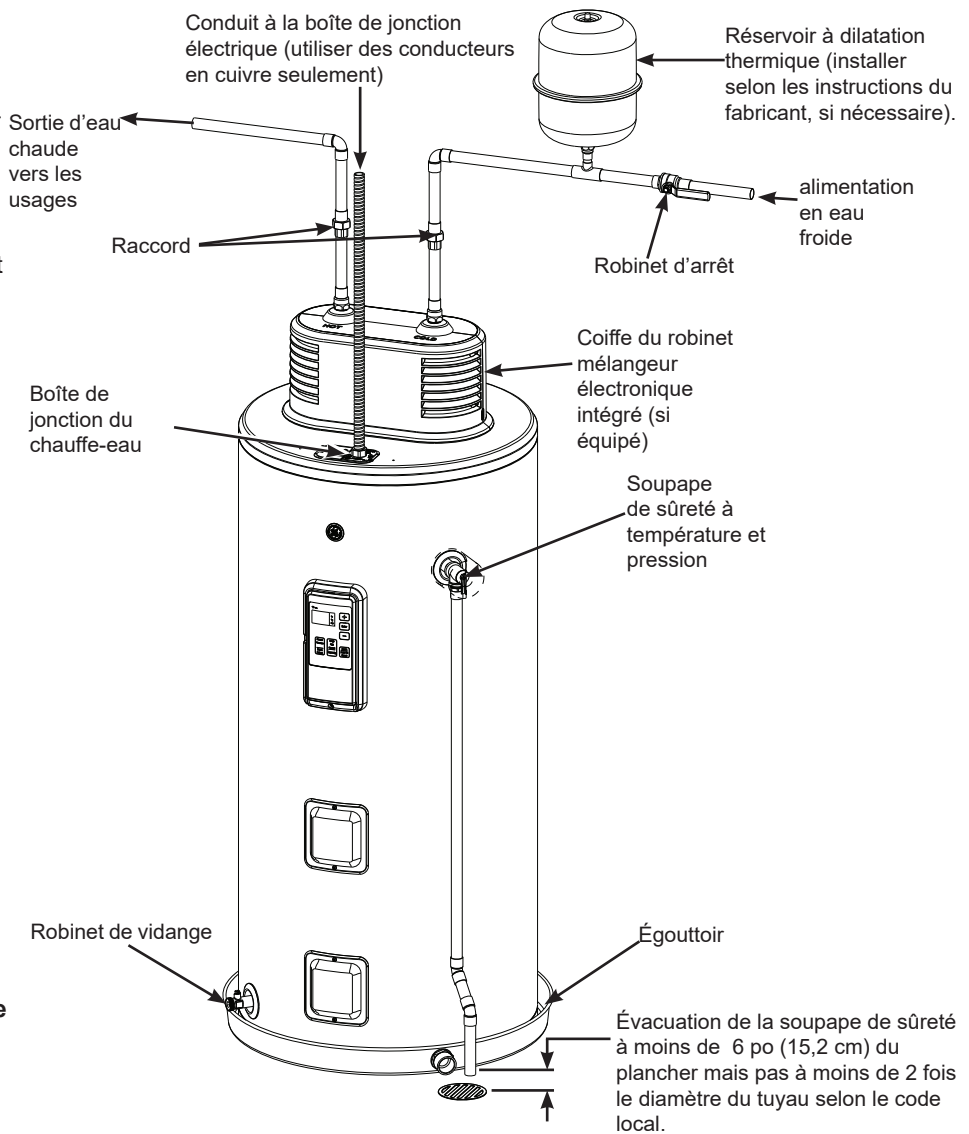
Reportez-vous à l'illustration ci-dessous pour une suggestion d'installation. Les raccords d'eau CHAUDE (Hot) et FROIDE (Cold) sont clairement identifiés et mesurent 3/4 po NPT sur tous les modèles. Lors du raccordement sur les orifices d'entrée ou de sortie, l'utilisation de raccords à filetage conique femelles 3/4 po NPT avec scellant à filetage est recommandé. L'installation de raccords-unions est recommandée pour le raccordement à l'eau chaude et froide de façon à pouvoir débrancher le chauffe-eau aisément dans l'éventualité d'une réparation. La tuyauterie doit être disposée de façon à permettre le retrait de la tige d'anode.

REMARQUE: Installez un robinet d'arrêt dans la conduite d'alimentation d'eau froide près du chauffe-eau. Ceci permettra plus tard de faciliter l'entretien ou la maintenance de l'appareil.

IMPORTANT: N'appliquez pas de chaleur aux raccords d'eau FROIDE ou CHAUDE. Si des raccords soudés à l'étain sont utilisés, soudez le tuyau à l'adaptateur avant de fixer l'adaptateur aux raccords d'eau froide sur le chauffe-eau. Toute application de chaleur sur les raccords d'eau froide ou chaude peut endommager de façon permanente le revêtement interne en plastique de ces orifices.

Installez une soupape casse-vide et/ou un dispositif antisiphon lorsque le code local l'exige.

Illustration E (l'aspect varie selon le modèle)



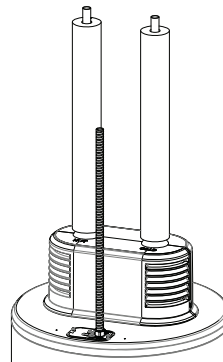
Évacuation de la soupape de sûreté à moins de 6 po (15,2 cm) du plancher mais pas à moins de 2 fois le diamètre du tuyau selon le code local.

INSTALLATION D'ISOLANT DE TUYAUX D'EAU CHAUDE ET FROIDE (si fournis avec le produit)

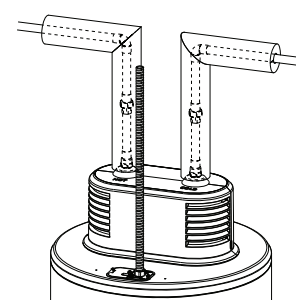
Pour améliorer l'efficacité énergétique, certains chauffe-eau sont livrés avec deux sections d'isolant de 61 cm (24 po) pour tuyaux.

Veuillez installer l'isolant selon l'illustration ci-dessus qui répond le mieux à vos besoins.

Disposition typique de tuyauterie verticale



Disposition typique de tuyauterie horizontale



Instructions d'installation

SOUPE DE SECURITE

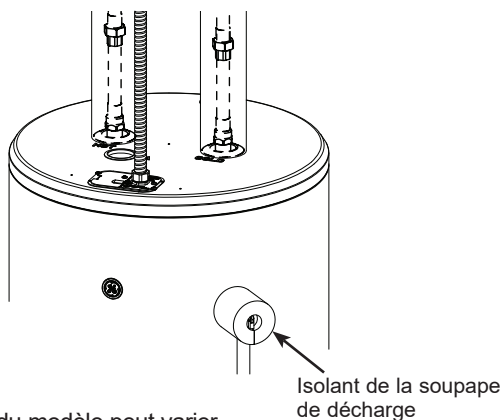
⚠ AVERTISSEMENT **Risque de dommage pour l'appareil - La pression nominale de la soupape de sécurité ne doit pas dépasser 150 lb/po² (1,03 MPa), la pression de fonctionnement maximale du chauffe-eau indiquée sur la plaque signalétique.**

Une nouvelle soupape de sécurité de pression et de température, conforme aux normes Relief Valves and Automatic Gas Shutoff Devices for Hot Water Supply Systems (ANSI Z21.22) est fournie. Elle doit être installée dans l'orifice prévue à cet effet sur le chauffe-eau. Aucune soupape de quelque nature que ce soit ne doit être installée entre la soupape de sécurité et le réservoir. Les codes municipaux doivent toujours régir l'installation de soupapes de sécurité.

La valeur Btu/h de la soupape de sécurité ne doit pas être inférieure à la valeur nominale d'entrée du chauffe-eau, comme ceci est inscrit sur l'étiquette à l'avant du chauffe-eau (1 watt = 3,412 Btu/h).

Branchez la sortie de la soupape de sécurité à une bonde ouverte de telle façon que l'eau évacuée ne puisse entrer en contact avec les parties électriques ou des personnes et de façon à éliminer tout dégât d'eau potentiel.

La tuyauterie utilisée doit être agréée pour la distribution d'eau chaude. Le tuyau de vidange ne doit pas être d'une dimension inférieure à la sortie de la soupape et doit être incliné vers la bonde pour assurer une vidange complète (par gravité) de la soupape et du tuyau de vidange. L'extrémité du tuyau de vidange ne doit pas être filetée ou dissimulée et doit être protégée contre le gel. Aucune soupape, restricteur ou réducteur ne doit jamais être installé sur le tuyau de vidange.



l'apparence du modèle peut varier

⚠ ATTENTION

Pour réduire les risques de pression et de température excessives dans ce chauffe-eau, installez l'équipement de protection de température et de pression exigé par les codes municipaux et, au moins, une soupape de sécurité (pression et température) certifiée par un laboratoire d'essai indépendant reconnu à l'échelle nationale et qui effectue des inspections périodiques de l'équipement ou des matériaux inscrits qui disent se conformer aux exigences relatives aux Relief Valves and Automatic Gas Shutoff Devices for Hot Water Supply Systems(ANSI Z21.22). Cette soupape doit être marquée avec une pression maximale qui ne doit pas dépasser la pression maximale de fonctionnement indiquée pour le chauffe-eau. Installez la soupape dans l'ouverture prévue à cet effet sur le chauffe-eau et orientez-la (ou ajoutez un tuyau) de manière à ce que tout liquide soit évacué par la soupape à une hauteur maximale de 6 po (15,2 cm) du plancher, et qu'il n'entre en contact avec aucune partie électrique. En aucune circonstance, l'ouverture pour l'évacuation ne doit pas être bouchée ou de taille réduite.

REPLISSAGE DU CHAUFFE-EAU

⚠ AVERTISSEMENT **Risque de dommage pour l'appareil - Le réservoir doit être plein d'eau avant de mettre le chauffe-eau en marche. La garantie de chauffe-eau ne couvre pas les dommages ou défaillances résultant d'un fonctionnement avec un réservoir vide ou partiellement vide.**

Assurez-vous que le robinet de vidange est complètement fermé.

Ouvrez le robinet sur la conduite d'alimentation en eau froide.

Ouvrez chaque robinet d'eau chaude doucement pour permettre à l'air de s'évacuer du chauffe-eau et des tuyauteries.

Un débit d'eau constant du/des robinet(s) d'eau chaude indique un chauffe-eau plein.

De la condensation peut se former sur le réservoir et les raccords lors du premier remplissage d'eau. De la condensation peut aussi se former lors d'un retrait d'eau important et d'une température d'eau d'admission très froide.

Cette condition n'est pas inhabituelle et disparaîtra une fois l'eau chauffée. Si la condition persiste, examinez les raccords pour de possibles fuites ou nécessité de réparation, au besoin.

⚠ AVIS

Ne faites pas d'erreur de raccordements électriques. Une tension de CA de 240V ou 208V doit être appliquée aux fils L1 et L2 comme indiqué sur diagramme « boîte de jonction du chauffe-eau ».

Si un câble à 4 fils est amené au chauffe-eau, isolez (capuchon) le neutre et branchez les autres fils comme illustré.

Instructions d'installation

RACCORDEMENTS ÉLECTRIQUES

Un circuit de dérivation distinct avec des conducteurs en cuivre, un dispositif de protection contre les surtensions et des moyens appropriés pour déconnecter le chauffe-eau doivent être fournis par un électricien qualifié.

Le câblage doit être conforme aux codes et règlements municipaux ou, en leur absence, à la dernière édition du Code national de l'électricité, ANSI/NFPA 70.

Le chauffe-eau est complètement raccordé à la boîte de jonction par le dessus du chauffe-eau. Une ouverture pour un raccord électrique d'1/2 po est fournie pour les connexions à faire sur place.

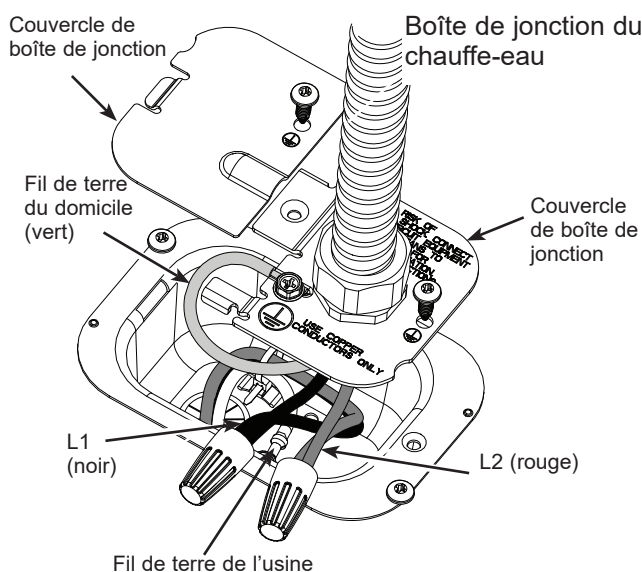
Les besoins en tension et puissance du chauffe-eau sont précisées sur l'étiquette signalétique apposée sur le devant du chauffe-eau.

Le câblage du circuit de dérivation doit inclure:

1. Un conduit métallique ou un câble métallique gainé approuvé pour une utilisation comme conducteur de mise à la masse et installé avec des raccords adaptés à cet usage.
2. Un câble gainé non métallique, un conduit métallique ou un câble gainé métallique non approuvé pour une utilisation comme conducteur de mise à la masse doit comprendre un conducteur distinct de mise à la masse. Il doit être raccordé aux bornes de mise à la masse du chauffe-eau et à la boîte de distribution électrique.

Branchement de l'alimentation électrique au chauffe-eau:

1. Coupez l'alimentation.
2. Retirez le(s) vis maintenant le couvercle de la boîte de jonction.
3. Connectez L1 à L1, L2 à L2 et le fil de terre sur le couvercle de la boîte de jonction posée, selon l'illustration ci-dessous.
4. Réinstallez toutes les vis qui fixent les couvercles de boîte de jonction.



⚠ AVERTISSEMENT Risque d'incendie ou de décharge électrique. Assurez-vous que les deux couvercles de boîte de jonction et les vis de terre sont fixés solidement pour une mise à la terre correcte.

REMARQUE : Faites les raccordements électriques conformément aux codes ou à la dernière édition du Code national de l'électricité, ANSI/NFPA 70.

⚠ AVERTISSEMENT

Un bon raccordement à la terre est essentiel. La présence d'eau dans les tuyauteries et le chauffe-eau ne fournit pas une conduction suffisante pour une masse adéquate. La tuyauterie non métallique, les raccords diélectriques ou flexibles, etc., peuvent isoler électriquement le chauffe-eau. Ne déconnectez pas la mise à la terre faite en usine.

La garantie du fabricant ne couvre pas les dommages ou défauts causés par l'installation, le branchement ou l'utilisation de tout dispositifs d'économie d'énergie ou d'autres dispositifs non autorisés (autres que ceux autorisés par le fabricant) avec le chauffe-eau. L'utilisation de dispositifs d'économie d'énergie non autorisés peut réduire la durée de vie du chauffe-eau et peut mettre en danger la vie et provoquer des dommages matériels.

Le fabricant décline toute responsabilité en cas de pertes ou blessures résultant de l'utilisation de ces dispositifs non autorisés.

Si les codes municipaux exigent la pose extérieure de couvertures isolantes, les instructions du fabricant fournies avec le nécessaire d'isolation doivent être suivies à la lettre.

La pose de tout isolant externe, de couverture ou d'isolant à tuyauterie avec ce chauffe-eau doit être effectuée en portant une attention particulière aux points suivants :

- Ne couvrez pas la soupape de sécurité (température et pression)
- Ne couvrez pas les panneaux d'accès aux éléments chauffants.
- Ne couvrez pas la boîte de jonction du chauffe-eau.
- Ne couvrez pas les étiquettes d'utilisation ou de mise en garde apposées au chauffe-eau. N'essayez pas de les déplacer sur l'extérieur de la couverture isolante.

REMARQUE : Ce guide recommande un circuit de dérivation minimal basé sur le Code national de l'électricité. Reportez-vous aux schémas de câblage dans ce manuel pour les raccordements à effectuer sur place.

GUIDE DE DIMENSIONNEMENT DE CIRCUIT DE DÉRIVATION

Puissance totale du chauffe-eau	Protection de surintensité recommandée (capacité du fusible ou du disjoncteur)	Calibre de fil de cuivre, basé sur tableau N.E.C. 310-16 (167°F/75°C)
@240V	208-240V	208-240V
3,000	20	12
4,000	25	10
4,500	25	10
5,000	30	10
5,500	30	10
6,000	35	8
8,000	45	8
9,000	50	8
10,000	–	–
11,000	–	–
12,000	–	–

Conseils de dépannage

Économisez temps et argent! Consultez d'abord les tableaux des pages suivantes et vous pourriez vous éviter un appel de service.

ATTENTION Pour votre propre sécurité, N'ESSAYEZ PAS de réparer le câblage électrique, les commandes, les éléments chauffants et autres dispositifs de sécurité. Faites effectuer les réparations par un technicien qualifié.

Problème	Causes Possibles	Solution
 FONCTIONNEMENT ET RENDEMENT		
<i>Quantité insuffisante d'eau ou pas d'eau chaude</i>	<p>La température de réglage de l'eau est peut-être trop basse.</p> <p>La température d'entrée de l'eau peut être plus froide pendant la saison hivernale.</p> <p>Robinets d'eau chaude qui fuient ou sont ouverts.</p> <p>Des parcours longs de tuyauterie d'eau chaude sont exposés ou sont à l'extérieur du mur.</p> <p>Tube plongeur endommagé</p>	<ul style="list-style-type: none"> Consultez les sections Réglage de la température de l'eau et Capacité du chauffe-eau (pages 4 et 6). Si le produit est doté d'un robinet mélangeur intégré, réglez la capacité jusqu'à « High » (élevée) ou « X-High » (très élevée) afin d'augmenter la capacité d'eau chaude disponible. Ceci est normal. Une eau très froide est plus longue à réchauffer. Envisagez un réglage de température plus élevé, tel que décrit dans la section Réglage de la température de l'eau. S'assurer que tous les robinets sont fermés. Isoler la tuyauterie.
	Un fusible est grillé, le disjoncteur est déclenché ou le service électrique du domicile est interrompu.	<ul style="list-style-type: none"> Remplacer le fusible ou enclencher le disjoncteur. Communiquer avec le fournisseur local d'électricité.
	Câblage inadéquat	<ul style="list-style-type: none"> Consultez les Instructions d'installation.
	Limite de réinitialisation manuelle.	<ul style="list-style-type: none"> Consultez la section Commandes de sécurité à la page 5.
	Raccords d'eau vers l'appareil inversés.	<ul style="list-style-type: none"> Corriger les raccords de tuyauterie.
	Perturbation causée par le système de recirculation (s'il est installé)	<ul style="list-style-type: none"> Vérifiez que le réglage du débit n'est pas trop élevé. Isoler la tuyauterie.
<i>L'eau est trop chaude</i>	<p>Le réglage de la température est trop élevé.</p> <p>Défaillance de la commande électronique.</p>	<ul style="list-style-type: none"> Consultez la section portant sur le réglage de la température de l'eau. Appelez un technicien.
Panneau de contrôle		
<i>Le chauffe-eau émet des bips, le témoin d'anode est allumé (certains modèles), et l'afficheur dit F70</i>	La tige d'anode approche sa fin de vie et on recommande de la remplacer afin de continuer à offrir une protection contre la corrosion.	<ul style="list-style-type: none"> Faites un appel de service ou suivez les instructions sur la façon de remplacer la tige d'anode à la page 12. Assurez-vous que la tige d'anode à détection d'usure ou une autre tige d'anode approuvée GE Appliances est installée. L'installation d'une tige d'anode non approuvée ANNULERA la garantie.
<i>Le chauffe-eau émet des bips et l'afficheur dit F41</i>	La tige d'anode n'est pas connectée correctement et le chauffe-eau peut ne pas être protégé contre la corrosion.	<ul style="list-style-type: none"> Vérifiez si le réservoir est complètement rempli d'eau. Si le réservoir est plein d'eau et que le code F41 persiste, contactez le service GE Appliances. Pressez le bouton de l'anode pour faire taire l'alarme.
<i>Le chauffe-eau émet des bips et l'écran clignote, F78.=</i>	L'appareil ne reçoit pas une alimentation de 240 VCC comme prévu.	<ul style="list-style-type: none"> Coupez l'alimentation au chauffe-eau (généralement au panneau du disjoncteur). Puis lisez la section sur les branchements électriques dans les instructions d'installation, voir la page 17, puis contactez l'installateur pour vérifier la tension d'entrée au chauffe-eau.
AUTRES		
<i>Bruit de gargouillement</i>	L'état de l'eau de votre domicile a causé une accumulation de tartre ou de dépôts minéraux sur les éléments chauffants	<ul style="list-style-type: none"> Retirez et nettoyez les éléments chauffants. Cela doit être effectué seulement par un technicien ou un plombier qualifiés.
<i>Crissement / gazouillis lors du tirage d'eau chaude</i>	Dans certaines conditions d'utilisation, du bruit peut être transmis par la plomberie à partir de la vanne mélangeuse intégrée.	<ul style="list-style-type: none"> L'augmentation du point de consigne utilisateur ou la diminution du réglage de la capacité peut résoudre ce problème sur les modèles de mitigeurs intégrés. Consulter un professionnel de la plomberie pour installer un limiteur de pression, si en raison d'une pression d'eau élevée.
<i>Bruit intermittent du moteur EMV sur les modèles de mitigeurs intégrés</i>	Un bruit doux du moteur peut être entendu pendant le fonctionnement normal en raison du mouvement de la soupape de commande.	<ul style="list-style-type: none"> Ce bruit est normal et n'indique aucun problème avec le produit
<i>De l'eau dégoutte sur l'extérieur du chauffe-eau</i>	Les raccords d'eau chaude/froide ou d'autres pièces sont desserrés	<ul style="list-style-type: none"> Tighten the loose connections. This should only be done by a qualified service person or plumbing contractor.
<i>Relief valve producing popping sound or draining</i>	Pressure buildup caused by thermal expansion to a closed system	<ul style="list-style-type: none"> Serrez les raccords desserrés. Cela doit être effectué seulement par un technicien ou un plombier qualifiés.

Conseils de dépannage

Problème	Causes Possibles	Solution
La soupape de décharge émet un bruit sec ou se décharge	Certaines alimentations d'eau à teneur élevée en sulfate vont réagir avec la tige d'anode qui se trouve dans tous les chauffe-eau et dont le rôle est de protéger le réservoir contre la corrosion	<ul style="list-style-type: none">• On peut réduire ou éliminer l'odeur dans la plupart des chauffe-eau en remplaçant la tige d'anode par un modèle moins réactif. Dans certains cas, il peut être nécessaire de chlorer le chauffe-eau et toutes les conduites d'eau chaude, contactez un spécialiste ou un plombier pour les solutions. Composez le 1.800-952-5039 pour guider votre achat d'une tige d'anode de rechange. Un réparateur ou un plombier qualifiés doivent effectuer le remplacement. L'utilisation d'une tige d'anode non approuvée par GE Appliances ou du chauffe-eau avec une telle tige d'anode ANNULERA la garantie.• Dans certains cas, augmenter la température jusqu'à 60 °C (140 °F) peut réduire ce problème. Voyez la section Réglage de la température de l'eau de ce manuel pour connaître la procédure et le risque d'échaudure. On peut installer des limiteurs de température pour réduire le risque d'échaudure.



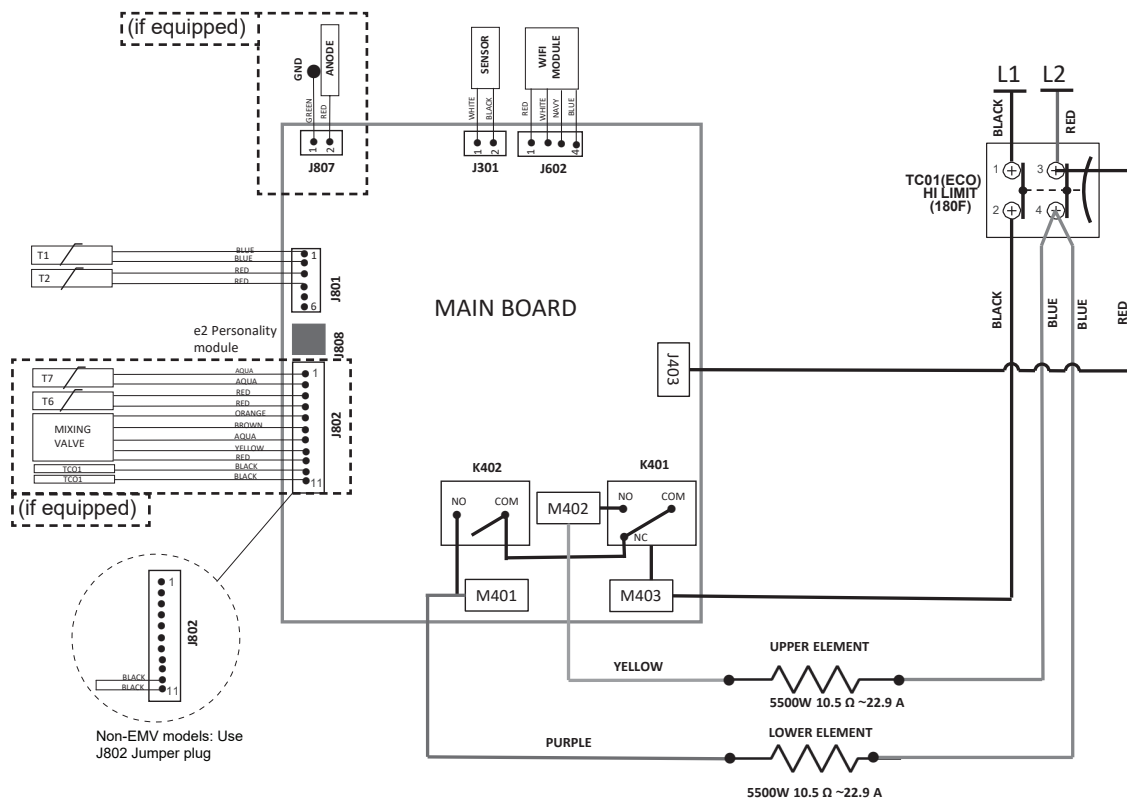
Codes d'anomalie

Code d'anomalie affiché	Condition	Action
F10 ou F12	Défaillance de l'élément chauffant inférieur	Faites un appel de service pour remplacer l'élément chauffant.
F11 ou F13	Défaillance de l'élément chauffant supérieur	Faites un appel de service pour remplacer l'élément chauffant.
F16*	Rupteur thermique (TCO) CC de la sortie du robinet mélangeur déclenché	Faites un appel de service pour corriger le problème à la source de l'anomalie et remplacer le TCO.
F17	Fil de cavalier absent sur les modèles sans robinet mélangeur	Faites un appel de service pour confirmer le problème et installer la fiche du fil de cavalier.
F18*, F63* ou F64*	Défaillance du robinet mélangeur	Faites un appel de service pour le diagnostic et la réparation.
F19	Source de chaleur incontrôlable	Faites un appel de service pour la réparation.
F30	Défaillance du capteur de température de réservoir (T1) (ouvert/court-circuit).	Faites un appel de service pour remplacer le capteur.
F31	Défaillance du capteur de température de réservoir (T2) (ouvert/court-circuit).	Faites un appel de service pour remplacer le capteur.
F32 ou F33	Défaillance du capteur de température de réservoir (T1 ou T2)	Faites un appel de service pour remplacer le capteur approprié.
F38*	Défaillance du capteur de température à la sortie du robinet mélangeur (T6)	Faites un appel de service pour remplacer le capteur approprié.
F39*	Défaillance du capteur de température à la sortie du robinet mélangeur (T7)	Faites un appel de service pour remplacer le capteur approprié.
F40	Défaillance du capteur de courant	Faites un appel de service pour le diagnostic et la correction.
F41#	Mauvais filage de l'anode à détection d'usure	Confirmez que le fil est connecté à la borne de l'anode à détection. Autrement, faites un appel de service.
F44 ou F45	Micro-anomalie	Faites un appel de service pour la réparation.
F70#	Anode consumée	Faites un appel de service pour remplacer l'anode à détection d'usure (voir la section sur le remplacement de l'anode dans le manuel).
F71	Transformateur de courant CA mal câblé	Faites un appel de service pour le diagnostic et la réparation.
F76	Tension trop basse	Faites un appel de service pour le diagnostic et la réparation.
F77	Défaillance de touche bloquée	Faites un appel de service pour le diagnostic et la réparation.
F90	Module E2 débranché ou endommagé	Faites un appel de service pour le diagnostic et la réparation.
F94	Défaillance de carte Wi-Fi (icône Wi-Fi foncée)	Faites un appel de service pour le diagnostic et la réparation.

* S'applique aux modèles avec robinet mélangeur intégré.

S'applique aux modèles avec anode à détection d'usure.

Schéma de câblage



Garantie Limitée du chauffe-eau GE Appliances

GARANTIE LIMITÉE

Tous les services de garantie sont fournis par nos centres de service d'usine ou par un technicien agréé Customer Care®. Pour planifier l'entretien de votre chauffe-eau GE, appelez GE Water Heaters au 1-800-943-8186. Veuillez avoir votre numéro de série et votre numéro de modèle à portée de main lorsque vous appelez le service. L'entretien de votre appareil peut nécessiter l'utilisation du port de données intégré pour les diagnostics. Cela donne au technicien de service d'usine GE Appliances la possibilité de diagnostiquer rapidement tout problème avec votre appareil et aide GE Appliances à améliorer ses produits en fournissant à GE Appliances des informations sur votre appareil. Si vous ne souhaitez pas que les données de votre appareil soient envoyées à GE Appliances, veuillez aviser votre technicien de ne pas soumettre les données à GE Appliances au moment de la maintenance.

Pour la période d':	Nous remplacerons:
Un An À partir de la date d'achat initiale	<i>Toute pièce du chauffe-eau spécifiée en usine qui tombe en panne en raison d'un défaut de matériaux ou de fabrication. Au cours de cette garantie limitée d'un an, nous fournirons également, gratuitement, toute la main-d'œuvre et les services connexes pour remplacer la pièce défectueuse.</i>
De la deuxième à la dixième ou à la douzième année À partir de la date d'achat initiale	<i>Toute pièce du chauffe-eau défectueuse en raison d'un vice de matière ou de main-d'œuvre. Au cours de cette deuxième année jusqu'à la fin de la période de garantie limitée, les frais de main-d'œuvre et de services associés pour remplacer la pièce défectueuse ne sont pas inclus.</i> *La durée de garantie est basée sur le 6e et le 7e chiffre du numéro de modèle situé sur la plaque signalétique (p.ex.: GE50T12BLM dispose d'une garantie sur pièces de 12 ans).

Ce qui n'est pas compris:

- Les déplacements à votre domicile pour vous expliquer l'utilisation de ce produit.
- Une installation, livraison ou maintenance défectueuse.
- L'expédition et la manutention des pièces de rechange et les frais de retrait des pièces ou réservoirs défectueux après la première garantie limitée d'un an ne sont PAS couverts.
- Une panne du produit par abus d'utilisation, par mauvaise utilisation, par modification, ou s'il a été utilisé dans un but autre que celui pour lequel il a été fabriqué.
- L'utilisation de ce produit avec une eau microbiologiquement insalubre ou de qualité inconnue sans désinfection adéquate en amont ou en aval du système.
- Le remplacement des fusibles ou le réenclenchement du disjoncteur du domicile.
- Tout dommage causé par accident, par la foudre, par un incendie, par inondation ou par une catastrophe naturelle.
- Les dommages directs et indirects, causés par des défaillances possibles de l'appareil, de son installation ou de sa réparation.
- Tout produit auquel il n'est pas possible d'accéder pour effectuer les réparations nécessaires. Les installations dans un grenier nécessitent un plancher approprié et un accès par des escaliers.
- Si le produit ou un autre appareil déménagé doit être déplacé pour procéder aux réparations.
- Si le produit est retiré de son emplacement original.
- Les dommages, les dysfonctionnements ou les pannes causés par l'utilisation d'un service de réparation non approuvé par GE Appliances.
- Les dommages, les dysfonctionnements ou les pannes causés par l'utilisation de pièces ou de composants non autorisés.
- Consommation et remplacement de la tige d'anode.
- Les dommages, les dysfonctionnements ou les pannes causés par l'utilisation du chauffe-eau à thermopompe sans tige d'anode.
- Les dommages, les dysfonctionnements ou les pannes causés par l'utilisation de la thermopompe avec un réservoir vide ou partiellement vide.
- Les dommages, les dysfonctionnements ou les pannes causés par des pressions dans le réservoir supérieures à celles indiquées sur la plaque signalétique.
- Les dommages, les dysfonctionnements ou les pannes causés par l'utilisation du chauffe-eau à thermopompe avec des tensions dépassant les tensions inscrites sur la plaque signalétique
- Une défaillance du chauffe-eau en raison de l'utilisation de l'appareil dans une atmosphère corrosive.
- Si ce chauffe-eau sert à un usage autre que résidentiel et familial, la garantie ne couvrira pas la main-d'œuvre et elle sera réduite à 1 an à partir de la date d'achat pour les pièces.

EXCLUSION DE GARANTIES IMPLICITES – Votre seul et unique recours est la réparation du produit selon les dispositions de cette Garantie limitée. Toutes les garanties implicites, incluant les garanties de commercialité et d'adéquation à un usage spécifique, sont limitées à une année ou à la période la plus courte autorisée par la législation.

Cette garantie limitée est étendue à l'acheteur d'origine et à tout propriétaire suivant pour les produits achetés pour un usage domestique aux États-Unis. Si le produit est situé dans une zone où le service par un réparateur agréé GE Appliances n'est pas disponible, vous pouvez être responsable des frais de déplacement ou vous devrez peut-être apporter le produit à un centre de service GE Appliances agréé pour réparation. En Alaska, la garantie limitée exclut les frais d'expédition ou les appels de service à votre domicile.

Certains États ou provinces n'autorisent pas l'exclusion ou la restriction des dommages directs ou indirects. La présente garantie limitée vous donne des droits juridiques particuliers, mais vous pouvez avoir d'autres droits qui varient d'un État ou d'une province à l'autre. Pour connaître vos droits, appelez le bureau de la protection du consommateur de votre localité, de votre État ou de votre province ou le procureur général de votre État.

En cas de produit acheté en dehors des États-Unis, contacter le lieu d'achat pour des renseignements de réparation et de garantie.

Garant pour les produits achetés aux États-Unis:
GE Appliances, a Haier company
Louisville, KY 40225

Agrafez votre reçu ici. Une preuve de la date d'achat originale est nécessaire pour obtenir un service sous garantie.

Soutien au consommateur

Enregistrez votre électroménager

Enregistrez votre nouvel électroménager en ligne au moment qui vous convient le mieux! L'enregistrement de votre produit dans les plus brefs délais permet une meilleure communication et un service rapide en vertu de votre garantie, le cas échéant.

- Numérisez le code QR affiché sur la carte d'enregistrement du produit ou sur le produit



REMARQUE : Ceci n'est qu'un exemple représentant un code QR.

- Ou allez sur **GEAppliances.com/register**
 - Ou mettez à la poste la carte d'enregistrement pré-imprimée qui se trouve dans l'emballage.
-

Services au consommateur

Pour toute question ou besoin d'assistance concernant votre nouveau chauffe-eau relativement aux réglages, aux réparations ou à l'entretien périodique :

- Relisez les sections sur les conseils de dépannage ou l'entretien et le nettoyage de ce manuel d'utilisation.
- Contactez votre installateur, votre plombier ou appelez le service et l'assistance GE Appliances au 1-800-943-8186.

REMARQUE : Il se peut que le numéro de téléphone de votre installateur se trouve sur l'étiquette du produit.

Si le problème persiste, contactez le soutien à la clientèle GEA sur GEAppliances.com/waterheater.

Pièces et accessoires

Les personnes ayant les compétences requises pour réparer elles-mêmes leurs appareils peuvent recevoir directement à la maison des pièces ou des accessoires (les cartes VISA, MasterCard et Discover sont acceptées). Commandez en ligne 24 heures par jour en tout temps.

Aux États-Unis, visitez **GEApplianceparts.com**

Communiquez avec nous

Communiquez avec nous

Si vous n'êtes pas satisfait du service que vous recevez, communiquez avec nous via notre site Web en fournissant tous les détails, y compris votre numéro de téléphone, ou écrivez à :

Aux États-Unis : General Manager, Customer Relations |GE Appliances, Appliance Park |Louisville, KY 40225

GEAppliances.com/contact



Residenciales Eléctricos CALENTADORES DE AGUA

INFORMACIÓN DE SEGURIDAD . . . 3

INSTRUCCIONES DE FUNCIONAMIENTO 6

Controles 7

Modos de Funcionamiento 8

Selección de Capacidad Flexible del Agua Caliente (en algunos modelos) 8

COMUNICACIÓN CON EL ELECTRODOMÉSTICO 9

CUIDADO Y LIMPIEZA 10

INSTRUCCIONES DE INSTALACIÓN 14

CONSEJOS PARA SOLUCIONAR PROBLEMAS 18

Código de Falla 19

Diagrama del Cableado 19

GARANTÍA LIMITADA 21

SOPORTE AL CONSUMIDOR . . . 22

OWNER'S MANUAL

Modelos con Control Electrónico de la Marca GE Appliances

- GE30S**BLM
- GE30S**BMM
- GE30T**BLM
- GE40S**BLM
- GE40S**BMM
- GE40T**BLM
- GE50S**BLM
- GE50S**BMM
- GE50T**BLM

Escriba los números de modelo y de serie aquí:

Modelo # _____

Serie # _____

Los podrá encontrar en la etiqueta de detalles técnicos en la parte frontal de su calentador de agua.



Certified to NSF/ANSI 372

Consulte http://info.nsf.org/Certified/Lead_Content/ for specific model listing



GRACIAS POR HACER QUE GE APPLIANCES SEA PARTE DE SU HOGAR.

Ya sea que haya crecido usando GE Appliances, o que ésta es su primera vez, nos complace tenerlo en la familia.

Sentimos orgullo por el nivel de arte, innovación y diseño de cada uno de los electrodomésticos de GE Appliances, y creemos que usted también. Entre otras cosas, el registro de su electrodoméstico asegura que podamos entregarle información importante del producto y detalles de la garantía cuando los necesite.

Registre su electrodoméstico GE ahora a través de Internet. Sitios Web y números telefónicos útiles están disponibles en la sección de Soporte para el Consumidor de este Manual del Propietario.

También puede enviar una carta en la tarjeta de inscripción preimpresa que se incluye con el material embalado.



GE APPLIANCES

INFORMACIÓN IMPORTANTE DE SEGURIDAD. LEA TODAS LAS INSTRUCCIONES ANTES DE USAR.

⚠️ ADVERTENCIA

Para su seguridad, siga las instrucciones de este manual a fin de minimizar riesgos de incendio o explosión, descargas eléctricas, o para evitar daños en su propiedad, lesiones personales o la muerte.

Asegúrese de leer y entender el Manual del Propietario en su totalidad antes de intentar instalar o usar este calentador de agua. Es posible que le ahorre tiempo y gastos. Preste especial atención a las Instrucciones de Seguridad. Si no se siguen estas advertencias, se podrán producir lesiones graves o la muerte. En caso de tener problemas para entender las instrucciones de este manual, o si desea realizar alguna pregunta, DETÉNGASE y solicite ayuda a un técnico del servicio calificado o al servicio eléctrico local.

⚠️ ADVERTENCIA

Riesgo de Incendio - No guarde ni use gasolina u otros vapores inflamables y líquidos cerca de éste ni de otros electrodomésticos. Mantenga los tapetes y otros materiales combustibles alejados.

⚠️ ADVERTENCIA

Apague el suministro de energía del calentador de agua si éste sufrió daños físicos o una inundación.

No utilice el calentador de agua nuevamente hasta que haya sido controlado en su totalidad por personal calificado del servicio técnico.

Precauciones de Seguridad

A. Apague el suministro de energía del calentador de agua si éste sufrió un sobrecalentamiento, incendio, inundación o daño físico.

B. No encienda el calentador de agua a menos que esté lleno de agua.

C. No encienda el calentador de agua si la válvula de cierre del suministro de agua fría está cerrada.

NOTA: Podrán ser emitidos vapores inflamables por Corrientes de aire en áreas circundantes al calentador de agua.

D. En caso de existir dificultad para entender o seguir las Instrucciones de Funcionamiento o la sección de Cuidado y Limpieza, se recomienda que una persona calificada o personal del servicio técnico realicen el trabajo.

⚠️ PRECAUCIÓN

Riesgo de incendio - Se puede producir gas hidrógeno en un sistema de agua caliente abastecido por este calentador de agua, el cual fue usado por un período de tiempo prolongado (generalmente dos semanas o más). ¡EL GAS HIDRÓGENO ES EXTREMADAMENTE INFLAMABLE! Para disipar dicho gas y reducir el riesgo de lesiones, se recomienda que el grifo de agua caliente quede abierto durante varios minutos en el lavabo de la cocina, antes de usar cualquier artefacto eléctrico conectado al sistema de agua caliente. Si hay hidrógeno presente, habrá un sonido atípico tal como aire que escapa a través de la tubería cuando el agua comience a circular. No fume ni encienda una llama cerca del grifo en el momento en que éste se abra.

⚠️ PARA INSTALACIONES EN EL ESTADO DE CALIFORNIA

La Ley de California requiere que los calentadores de agua residenciales sean sujetos, apuntalados o amarrados a fin de resistir caídas o desplazamientos horizontales debido a movimientos por terremotos. Para los calentadores de agua residenciales de hasta 52 galones (197 L) de capacidad, se podrá acceder a un catálogo con instrucciones genéricas para sujeción en caso de terremoto en: Office of the State Architect (Oficina del Arquitecto Estatal), 400 P Street, Sacramento, CA 95814 o se puede comunicar al 916.324.5315 o solicitar la asistencia de un vendedor de calentadores de agua.

Los códigos locales aplicables siempre determinarán la instalación. Para calentadores de agua residenciales de una capacidad superior a 52 galones (197 L) consulte sobre procedimientos de sujeción aceptables en la jurisdicción de construcción local .

LEA Y GUARDE ESTAS INSTRUCCIONES

INFORMACIÓN IMPORTANTE DE SEGURIDAD LEA TODAS LAS INSTRUCCIONES ANTES DE USAR

⚠
PELIGRO



Las temperaturas de agua superiores a 125°F pueden provocar quemaduras graves en forma instantánea o la muerte por quemaduras.

La configuración del control electrónico de temperatura normalmente aproxima la temperatura del agua de grifo. Sin embargo, ciertos factores pueden hacer que la temperatura alcance los 160°F a pesar de la configuración del control. Siempre pruebe el agua antes de bañarse o ducharse.

Los niños, los discapacitados y las personas mayores corren un riesgo mayor de sufrir una quemadura.

Consulte el manual de instrucciones antes de configurar la temperatura del calentador de agua.

Pruebe el agua antes de bañarse o ducharse.

Se encuentran disponibles válvulas limitadoras de temperatura; consulte el manual.

AJUSTE DE LA TEMPERATURA DEL AGUA

La seguridad, la conservación de la energía y la capacidad del agua caliente son factores que se deben considerar al seleccionar la configuración de la temperatura del agua en el calentador de agua. Las temperaturas del agua superiores a 125° F pueden ocasionar quemaduras graves o la muerte por escaldadura. Asegúrese de leer y seguir las advertencias detalladas en la etiqueta que aparece a continuación. Esta etiqueta también está ubicada en el calentador de agua, cerca de la parte superior del tanque.

Relación de Tiempo/ Temperatura en Quemaduras

Temperatura	Tiempo para Producir una Quemadura Grave
120°F (49°C)	Más de 5 minutos
125°F (52°C)	1-1/2 a 2 minutos
130°F (54°C)	Aproximadamente 30 segundos
135°F (57°C)	Aproximadamente 10 segundos
140°F (60°C)	Menos de 5 segundos
145°F (63°C)	Menos de 3 segundos
150°F (66°C)	Aproximadamente 1-1/2 segundos
155°F (68°C)	Aproximadamente 1 segundo

La tabla es cortesía de Shriners Burn Institute

El cuadro que se muestra a continuación podrá ser usado como guía para determinar la temperatura del agua apropiada para su hogar.

⚠ PELIGRO Existe la posibilidad de que se produzca una **ESCALDADURA** con agua caliente si el termostato de temperatura del agua está configurado demasiado alto. Los hogares donde haya niños pequeños, personas incapacitadas o mayores podrán requerir una configuración del termostato de 120°F (49°C) o inferior, a fin de evitar el contacto con el agua “CALIENTE”.

El control fue configurado en fábrica a a fin de reducir el riesgo de lesiones por escaldaduras. Ésta es la configuración de temperatura inicial recomendada, pero podrá ser ajustada a cualquier temperatura entre 100°F y 140°F (38°C y 60°C).

Para Ajustar la Temperatura

Siga estos pasos:

1. Presione los botones + o - en el teclado del panel de control hasta la temperatura deseada.
2. Presione ENTER (Ingresar) para aceptar la nueva configuración.

NOTA: Para alternar de °F y °C, mantenga presionada la tecla **MODE (Modo)**.

LEA Y GUARDE ESTAS INSTRUCCIONES

INFORMACIÓN IMPORTANTE DE SEGURIDAD

LEA TODAS LAS INSTRUCCIONES ANTES DE USAR

CONTROLES DE SEGURIDAD

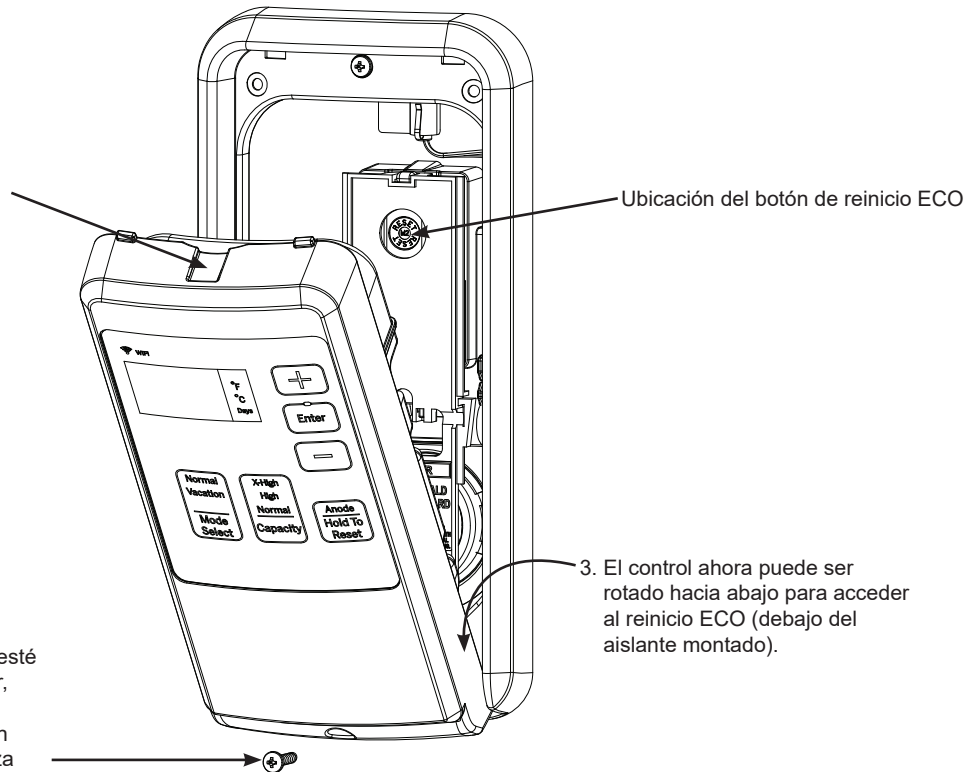
El calentador de agua está equipado con la combinación de un termostato y un control de Corte de Energía (ECO) de límite alto, que está ubicado sobre el elemento de calentamiento en contacto con la superficie del tanque. Si por alguna razón la temperatura del agua se vuelve excesivamente alta, el control de límite de temperatura (ECO) interrumpe el circuito de energía hacia el elemento de calentamiento. Una vez que el control se abra, deberá ser reiniciado de forma manual. El reinicio del control de límite alto deberá ser realizado por un técnico calificado del servicio.

⚠ PRECAUCIÓN La causa de la condición de temperatura alta deberá ser investigada por un técnico calificado del servicio o se deberá realizar una acción correctiva antes de volver a poner en uso el calentador de agua. Para reiniciar el control de límite de temperatura:

1. Apague la corriente del calentador de agua.
2. Retire el panel(es) de acceso y el aislante del revestimiento
La tapa protectora del termostato deberá ser retirada.
3. Presione el botón rojo de REINICIO.
4. Reemplace el panel(es) de acceso y el aislante del revestimiento antes de encender la corriente del calentador de agua.

2. Con un destornillador de punta plana, baje la carcasa de control aproximadamente 1/8" en la ubicación de la abertura superior, a fin de permitir la rotación del control para su apertura.

1. Una vez que el Encendido esté apagado desde el disyuntor, retire el tornillo de la base de la carcasa de control con un destornillador con cabeza Phillips.



Instrucciones de Funcionamiento

Capacidad y Posición de Ajuste para el Incremento de Temperatura del Calentador de Agua (para Calentadores de Agua sin Válvula Mezcladora Integrada):

La configuración de temperatura del calentador de agua impacta de forma importante sobre la cantidad de agua caliente utilizable que está disponible para duchas y baños.

- El consumo/ ahorro de energía y las evaluaciones de eficiencia de los calentadores de agua son realizados de acuerdo con los requisitos del Departamento de Energía (Department of Energy, DOE), especificados en la fecha de fabricación.
- Las regulaciones de seguridad requieren una configuración de fábrica no superior a 125°F (52°C) para todos los calentadores nuevos.

Por lo tanto, si su antiguo calentador de agua fue configurado en una temperatura más caliente que la de su nuevo calentador de agua con una posición de ajuste de fábrica establecida en 120°F (49°C), es posible que parezca que el nuevo calentador de agua está brindando una capacidad inferior que su antiguo calentador de agua. Esto se puede corregir incrementando la posición de ajuste de temperatura.

- Si se desea una mayor capacidad de agua caliente, incrementar la temperatura de 120°F a 135°F (49°C a 57°C) permitirá que el mismo tanque de agua caliente dure aproximadamente un 25% más, ya que una menor cantidad de agua caliente es mezclada en la ducha o grifo.
- Incrementar la posición de ajuste de temperatura del agua podrá mejorar el rendimiento de la limpieza de lavavajillas y máquinas lavadoras.
- El usuario podrá ajustar la configuración de temperatura para cubrir sus necesidades. Siempre lea y entienda las instrucciones de seguridad que figuran en el manual del usuario, antes de configurar la posición de ajuste de temperatura.

Válvulas Mezcladoras

- En los modelos con válvula mezcladora electrónica integrada, la capacidad del agua caliente podrá ser incrementada cambiando la selección de capacidad desde el control, mientras se mantiene la temperatura del agua en salida. Consulte sobre instrucciones para incrementar la capacidad del agua caliente en la página 8.
- Si su modelo no incluye una válvula mezcladora electrónica integrada: está disponible comercialmente una válvula mezcladora complementaria para reducir la temperatura del agua en el lugar de uso, la cual mezcla agua caliente y fría en las tuberías de agua derivadas. Para más información, comuníquese con un plomero matriculado o con la autoridad de plomería local.

Períodos de Cierre Prolongados

Si el calentador de agua permanecerá inactivo por un período de tiempo prolongado, el encendido y el agua hacia el electrodoméstico deberán ser apagados y el calentador de agua drenado, a fin de conservar la energía y evitar la acumulación de gas hidrógeno peligroso. La unidad no cuenta con un botón de encendido; sólo puede ser apagada con el disyuntor o la ficha de desconexión.

El calentador de agua y la tubería deberán ser drenados en caso de que pudieran estar sujetos a temperaturas bajo cero.

Luego de un período de cierre prolongado, el funcionamiento y los controles del calentador de agua deberán ser controlados por personal calificado del servicio técnico. Asegúrese de que el calentador de agua se llene en su totalidad nuevamente antes de ponerlo en funcionamiento.

NOTA: Consulte las Precauciones sobre el Gas Hidrógeno en la Instrucciones de Funcionamiento (consulte la página 3).

Acerca del panel de control

Exhibición de la Posición de Ajuste de Temperatura

El control exhibirá la posición de ajuste de temperatura en cualquier momento en que se presione un botón del control. Luego de 30 segundos de inactividad, la pantalla quedará en blanco. Observe que las selecciones de Mode (Modo) y Capacity (Capacidad) (si se cuenta con estos) permanecerán iluminadas en el modo inactivo. Para activar el control en cualquier momento y visualizar la posición de ajuste de temperatura, presione cualquier botón del control.

Encendido del Calentador de Agua

Esta unidad no cuenta con un botón de encendido. Una vez que el calentador de agua se encuentre enchufado y haya suministro de corriente, estará encendido. La pantalla mostrará la configuración actual de la temperatura del agua.

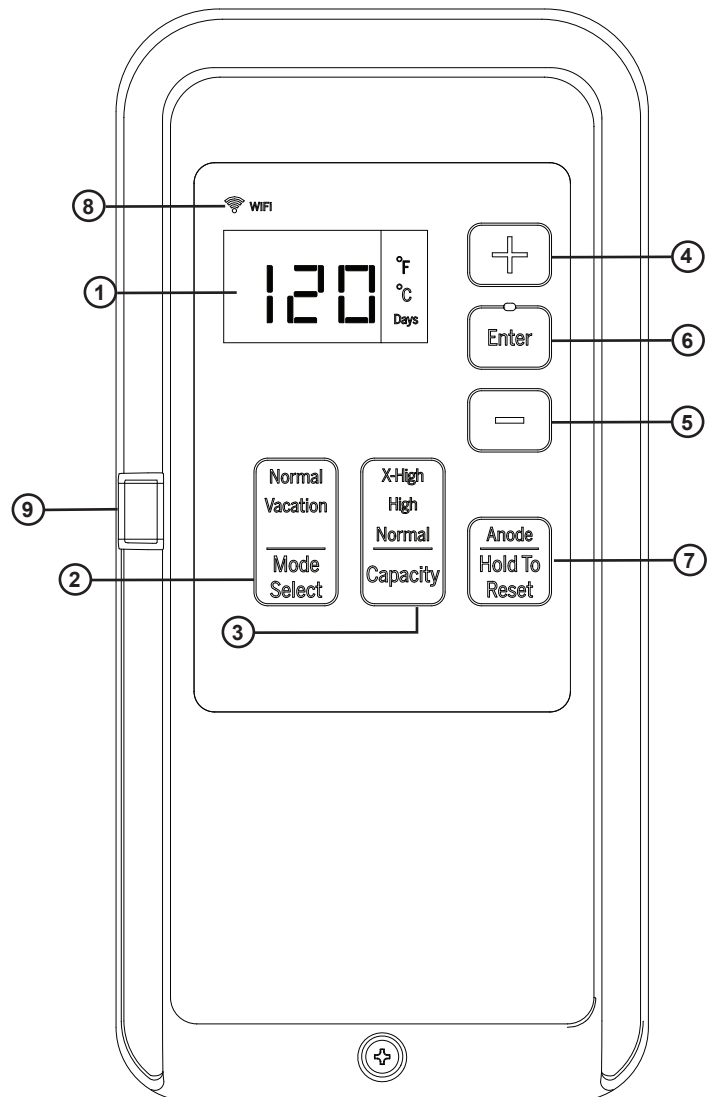
Para cumplir con las regulaciones de seguridad, los controles poseen una configuración previa de fábrica en 120°F (49°C).

Para Ajustar la Temperatura

Siga estos pasos:

1. Presione los botones + o - en el teclado del panel de control hasta la temperatura deseada.
2. Presione ENTER (Ingresar) para aceptar la nueva configuración.

NOTA: Para alternar entre °F y °C, mantenga presionado el botón Mode Select (Selección de Modo).



Funciones de Control

- 1. Pantalla**
- 2. Botón de Selección de Modo e Indicador de Modo**
Use este botón para alternar entre los modos Normal (Normal) y Vacation (Vacaciones). Se deberá presionar la tecla Enter (Ingresar) para confirmar la selección.
- 3. Estado del Botón e Indicador de Selección de Capacidad del Tanque (en algunos modelos)**
Use este botón para alternar entre las capacidades del tanque Normal (Normal), High (Alta) y X-High (Extra Alta). Se deberá presionar la tecla Enter (Ingresar) para confirmar la selección.
- 4. Botones de Selección +**
Use estos botones para incrementar la configuración de temperatura o los días de vacaciones.
- 5. Botones de Selección -**
Use estos botones para reducir la configuración de temperatura o los días de vacaciones.
- 6. Tecla de Ingreso**
Use este botón para confirmar la configuración de temperatura correspondiente al ajuste.
- 7. Indicador de Reinicio y Reemplazo del Ánodo (si se cuenta con esta opción)**
Cuando el texto del Ánodo se encuentre iluminado y se

exhiba la falla F70, el sistema indicará que la varilla del ánodo se está aproximando al final de su vida útil y se recomienda su reemplazo. Presione este botón una vez para silenciar la alarma. Mantenga presionado el mismo durante 5 segundos para reiniciar la alarma del ánodo luego del reemplazo. Llame al instalador para reemplazar la varilla del ánodo. La información de contacto del Servicio Técnico se encuentra ubicada junto a la etiqueta de especificaciones técnicas de la unidad, o comuníquese con el soporte al cliente de GE Appliances en GEAppliances.com/waterheater. Si la varilla del ánodo no es reemplazada, se anulará la cobertura de la garantía y se producirá una pérdida en el tanque. (Para acceder a instrucciones sobre cómo cambiar la varilla del ánodo, consulte la página 12).

8. Luz Indicadora de WiFi

Se ilumina cuando se conecta, parpadeando durante el modo de establecimiento de la configuración.

9. Puerto del Módulo de Comunicación del Artefacto

Para uso del Servicio Técnico y módulos accesorios opcionales. Para más información, visite GEAppliances.com/waterheaters.

Modos De Funcionamiento

Este calentador de agua funciona por omisión en el modo de funcionamiento Normal.

Para seleccionar Vacation Mode (Modo de Vacaciones):

1. Presione el botón MODE (Modo) hasta que "Vacation" (Vacaciones) aparezca iluminado.
2. Presione Enter (Ingresar) para confirmar la selección.
3. Para regresar al modo "Normal", repita los pasos 1 y 2, una vez que el texto "Normal" (Normal) se encuentre iluminado.

Modo de Vacaciones

Esta función se recomienda cuando usted estará fuera del hogar por un período de tiempo prolongado y el agua caliente no sea necesaria. En este modo, la unidad hará que la temperatura del agua descienda a 50°F (10°C) y usará el modo de calentamiento más eficiente para conservar la energía mientras el calentador quede en desuso. La unidad reiniciará el calentamiento de forma automática un día antes de su regreso, de modo que haya agua caliente disponible.

Para configurar Vacation Mode (Modo de Vacaciones):

1. Seleccione Vacation (Vacaciones) presionando el botón MODE (Modo).
2. Ingrese el número total de días que no estará, presionando el botón de selección +/- . El valor por omisión es 7 días, hasta un máximo de 199, o permanezca en Vacation Mode (Modo de Vacaciones) de forma indefinida seleccionando "---".
3. Presione Enter (Ingresar) para confirmar la selección.

Por ejemplo: estará ausente durante 14 días, configure el modo Vacation (Vacaciones) durante 14 días usando los pasos anteriores. La configuración de temperatura se reducirá automáticamente a 50°F (10°C) durante 13 días. Al final del día 13, la unidad regresará a su modo de funcionamiento normal y la configuración de temperatura se reiniciará para asegurar que haya agua caliente disponible a su regreso.

Selección de Capacidad Flexible del Agua Caliente (en algunos modelos)

Al ser activada, esta función guardará agua en temperaturas más altas. A medida que el agua guardada abandone el tanque, se mezclará con agua fría para mantener la posición de ajuste deseado. Esta mezcla permitirá que más agua caliente utilizable se encuentre disponible. El calentador de agua se encuentra por omisión en la configuración de capacidad de agua caliente Normal, la cual es usada para calcular el costo de uso anual, (y una configuración de salida de agua de 125F).

Para cambiar la configuración de Capacidad del tanque:

1. Presione el botón "Capacity" (Capacidad) hasta que el texto High (Alta), X-High (Extra Alta) o Normal (Normal) se encuentren iluminados.

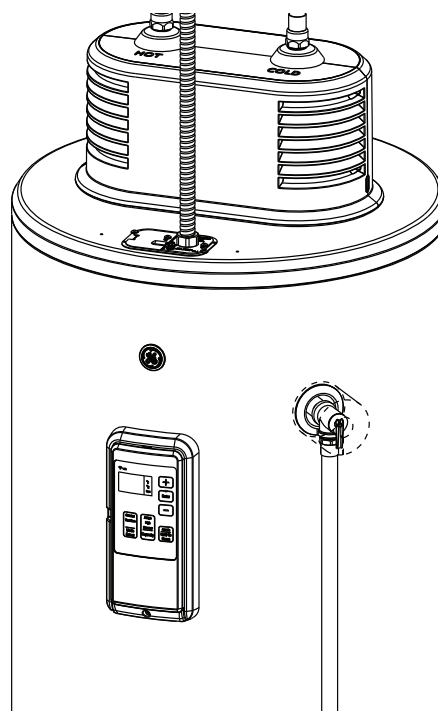
2. Confirme la selección presionando la tecla "Enter" (Ingresar).

Opciones de Capacidad (en base a la configuración de temperatura de salida de agua por omisión de 120 y temperatura de agua entrante de 58°F):

Normal: Sin incremento de la capacidad del agua caliente a partir de la configuración de salida de agua.

High: Incrementa la capacidad del agua caliente en hasta un 40%.

X-High: Incrementa la capacidad del agua caliente en hasta un 60%.



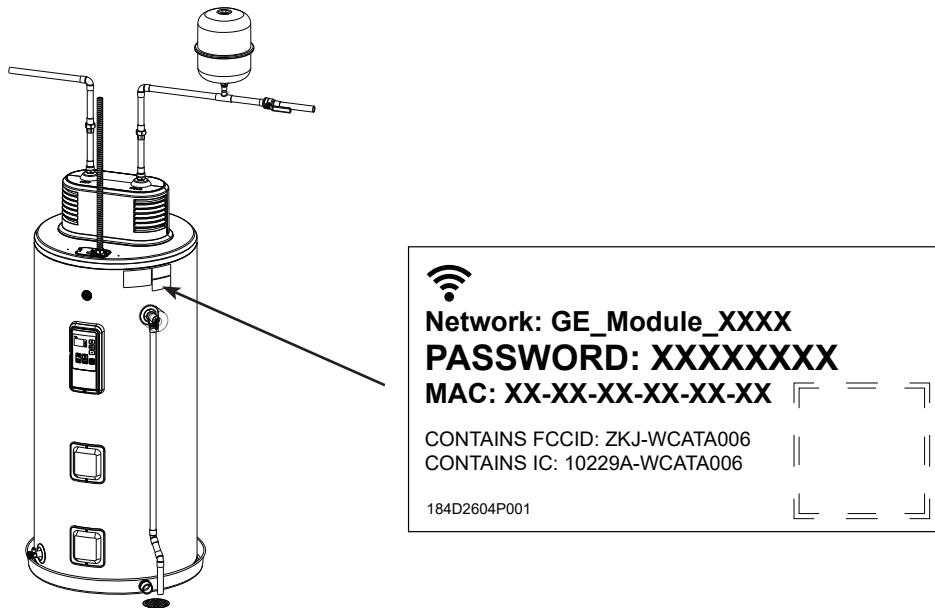
Comunicación Con El Electrodoméstico

WiFi Connect de GE Appliances (para clientes en Estados Unidos)

WiFi Connect Permitido de GE Appliances*

Si su calentador de agua cuenta con una etiqueta informativa del Electrodoméstico Conectado, ubicada en la parte externa como se muestra a continuación, su modelo cuenta con WiFi Connect Permitido de GE Appliances. Una tarjeta de comunicación WiFi está incorporada en el producto, permitiendo que se comuniquen con su teléfono inteligente para el monitoreo, control y notificaciones de forma remota. Para conocer más sobre las funciones del electrodoméstico conectado, y para saber qué aplicaciones de electrodomésticos conectados funcionarán con su teléfono inteligente, por favor visite www.GEAppliances.com/connect.

Modelos selectos únicamente



Conectividad WiFi: Para solicitar asistencia con el electrodoméstico o la conectividad de red ConnectPlus (para modelos con WiFi permitido o WiFi opcional), por favor comuníquese al 800-220-6899.

INFORMACIÓN REGULATORIA

Declaración de Cumplimiento de la FCC/IC

Este dispositivo cumple con la Parte 15 de la Normativa de la FCC. Su funcionamiento está sujeto a las dos condiciones siguientes:

1. Este dispositivo no causa interferencias perjudiciales.
2. Este dispositivo tolera cualquier interferencia recibida, incluidas las interferencias que puedan provocar un funcionamiento no deseado.

Este equipo ha sido probado y cumple con los límites establecidos para un dispositivo digital de clase B, según la parte 15 de la Normativa de la FCC. Estos límites han sido diseñados para ofrecer una protección razonable contra interferencias perjudiciales en la instalación residencial. Este equipo genera, usa y puede emitir energía de radiofrecuencia y, si no se instala y utiliza de acuerdo con las instrucciones, puede ocasionar interferencias perjudiciales para las comunicaciones de radio. Sin embargo, no se garantiza que no se presenten interferencias en una instalación en particular. Si el equipo provoca interferencias perjudiciales para la recepción de radio o televisión, lo que puede comprobar encendiendo y apagando el equipo, se aconseja al usuario intentar corregir la interferencia a través de una de las siguientes medidas:

- Reorienta o reubica la antena receptora.
- Aumente la separación entre el equipo y el receptor.
- Conecte el equipo a un tomacorriente de un circuito diferente del tomacorriente al que se encuentra conectado el receptor.
- Consulte al proveedor minorista o a un técnico experimentado de radio/ TV.

Etiqueta de Especificaciones Técnicas: Los cambios o modificaciones sobre esta unidad no aprobadas expresamente por el fabricante podrán anular la autoridad del usuario para utilizar el equipo.

Este producto cuenta con capacidad Wi-Fi y requiere de conectividad a Internet y un enrutador inalámbrico a fin de permitir la interconexión con un Sistema de Manejo de Energía, y/o con otros dispositivos, sistemas o aplicaciones externas.

Cuidado y limpieza

Superficies Exteriores

Lávese las manos con una tela húmeda, usando sólo agua caliente. Seque con una tela limpia y seca.

Mantenimiento Preventivo de Rutina

▲ PELIGRO Riesgo de Escaldaduras - Antes de utilizar manualmente la válvula de alivio, asegúrese de que nadie esté expuesto al peligro de tener contacto con el agua caliente liberada por la válvula. Es posible que el agua esté lo suficientemente caliente como para crear riesgo de escaldaduras. El agua deberá ser liberada a través de un desagüe adecuado, a fin de evitar lesiones o daños sobre la propiedad.

NOTA: Si la válvula de temperatura y alivio de presión del calentador de agua se descarga periódicamente, esto se podrá deber a la expansión térmica en un sistema de agua cerrado. Para saber cómo corregir esto, comuníquese con un proveedor de agua o con un contratista de plomería. No enchufe la ficha de la válvula de alivio.

Si se mantiene correctamente, el calentador de agua brindará años de servicios sin problemas. Se sugiere establecer el siguiente programa de mantenimiento anual preventivo.

1. Inspeccione la Válvula de Temperatura y Alivio de Presión
2. Inspeccione los elementos de calefacción, corte de energía (ECO), y el cableado hacia cada uno de estos.
3. Drene y descargue el tanque de calentamiento de agua.
4. La varilla del ánodo deberá ser retirada e inspeccionada.

Válvula de Temperatura y Alivio de Presión

Una vez al año, se recomienda levantar y liberar la manija de la palanca de la válvula de temperatura y alivio de presión, ubicada en el área frontal derecha del calentador de agua, a fin de asegurar que la válvula funcione libremente. Deje que corran varios galones a través de la tubería de descarga hasta un desagüe abierto.

Elementos de Calentamiento y Corte de Energía (ECO)

Una vez al año, se recomienda inspeccionar los elementos de calentamiento, corte de energía (ECO) y sus respectivos cableados. La inspección deberá ser completada por personal del servicio técnico calificado en la reparación de electrodomésticos eléctricos.

La mayoría de los electrodomésticos eléctricos, incluso cuando son nuevos, realizan ciertos sonidos cuando están en funcionamiento. Si el nivel de sonido de siseo o canto se incrementa de forma excesiva, es posible que se requiera una limpieza del elemento de calentamiento eléctrico. Comuníquese con un instalador o plomero calificado para que se realice una inspección.

Drenaje y Flujo del Agua Caliente

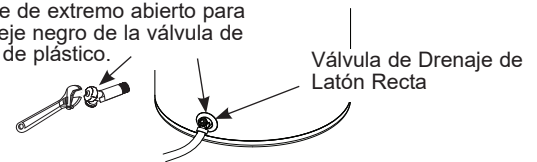
▲ PRECAUCIÓN Riesgo de Descarga - Cierre el encendido del calentador de agua antes de drenar el agua.

▲ PELIGRO Riesgo de Escaldadura - Antes de utilizar manualmente la válvula de alivio, asegúrese de que nadie esté expuesto al agua caliente liberada por la válvula. El agua drenada del tanque podrá estar lo suficientemente caliente como para presentar un riesgo de quemadura y deberá ser dirigida a un drenaje adecuado a fin de evitar lesiones o daños.

El tanque de un calentador de agua puede funcionar como un depósito de sedimentación para sólidos suspendidos en el agua. Por lo tanto, no es común que se acumulen depósitos de agua dura en el fondo del tanque. Para limpiar estos depósitos del tanque, se recomienda drenar y dejar correr agua en el tanque del calentador de agua una vez al año. Para drenar el calentador de agua, siga estos pasos:

1. Apague el encendido de la unidad. Los elementos de calentamiento eléctrico se dañarán si se utilizan sin agua.
2. Adjunte una manguera de jardín a la válvula de drenaje ubicada en la parte inferior de la unidad y dirija dicha manguera hasta el drenaje.
3. Cierre el suministro de agua fría.
4. Permita el ingreso de aire al tanque abriendo un grifo de agua caliente o levantando la manija de la válvula de alivio.
5. Abra la válvula de drenaje con un destornillador plano.

Use un destornillador de punta plana para girar la válvula de desagüe de latón o una llave ajustable de extremo abierto para girar el eje negro de la válvula de drenaje de plástico.



Purga del Tanque:

1. Siga los pasos anteriores para drenar el calentador de agua.
2. Una vez vaciado el calentador de agua, con la válvula de drenaje abierta y la manguera de jardín conectada a la válvula de drenaje, abra el suministro de agua fría.
3. Deje que corran varios galones a través de la válvula de drenaje y de la manguera, hasta un drenaje abierto.
4. Cierre el suministro de agua y espere a que cualquier resto de agua en el tanque se drene.
5. Repita los pasos 3 y 4 hasta que no haya más agua.
6. Cierre la válvula de drenaje y llene el tanque antes de volver a encender la unidad. El tanque estará lleno cuando salga agua de un grifo abierto de agua caliente cercano

Cuidado y limpieza

Rutina de Mantenimiento Preventivo

Varilla del Ánodo

Las varillas de los ánodos están diseñadas e instaladas para proteger y extender la vida útil de los tanques de almacenamiento de agua residenciales.

La varilla del ánodo deberá ser retirada del tanque del calentador de agua y ser inspeccionada de forma anual, y deberá ser reemplazada cuando queden expuestas más de 6" (15.2 cm) de cable del centro en cualquiera de los extremos de la varilla. **NOTA:** El agua ablandada de forma artificial hará que la varilla del ánodo se consuma con mayor rapidez.

Debido a riesgos de descargas y a fin de evitar goteos de agua accidentales, esta inspección deberá ser realizada por un técnico calificado o plomero, y se requiere que la corriente eléctrica y el suministro de agua fría estén apagados antes de realizar el servicio técnico sobre la varilla del ánodo.

NOTA: No retire la varilla del ánodo del tanque del calentador de agua, excepto para su inspección y/o reemplazo, ya que el funcionamiento sin la varilla del ánodo acortará la vida útil del tanque vitrificado y anulará la cobertura de la garantía.

Algunas áreas poseen condiciones que podrá hacer que se produzca olor en el calentador de agua. Están disponibles varillas de reemplazo de aleación especial para tratar este problema.

* **NOTA:** No reemplazar la varilla del ánodo una vez consumida anulará la garantía del tanque. La cobertura de la garantía de todos los demás componentes permanecerá intacta, y no se verá afectada por este requisito de mantenimiento. La varilla del ánodo de reemplazo y la inspección sobre su consumo no están cubiertas por la garantía.

Información adicional para modelos con la función de sensor de agotamiento del ánodo (botón del ánodo sobre el control, en modelos que cuentan con ésta):

Cuando la varilla del ánodo con sensor de agotamiento se acerque al final de su vida útil, el texto ANODE (Ánodo) se iluminará y el control emitirá un pitido y exhibirá F70. Cuando esto suceda, la varilla del ánodo deberá ser inspeccionada y reemplazada si el cable central de la parte superior de la varilla del ánodo se encuentra expuesto.* Se recomienda el reemplazo de la varilla del ánodo tan pronto como sea posible, a fin de asegurar que el tanque continúe estando protegido contra la corrosión. Llame al instalador/ servicio técnico para ordenar o reemplazar la varilla del ánodo. (Para acceder a instrucciones sobre cómo cambiar la varilla del ánodo, consulte la página 12).

Presione el botón ANODE (Ánodo) una vez para silenciar la alarma. Una vez reemplazada, reinicie la alarma manteniendo presionado el botón ANODE (Ánodo) durante 5 segundos, hasta que el control emita un pitido y la Luz del Ánodo se apague.

Si se instala una varilla del ánodo de aleación especial para tratar un problema de olor en el agua, la función del sensor de agotamiento del ánodo se deberá desactivar. Si se desactiva, se requerirán inspecciones anuales de la varilla del ánodo, debido a que el calentador de agua ya no podrá alertar sobre el agotamiento de la varilla del ánodo.

Para desactivar la función:

1. Al realizar el encendido luego de la instalación de la varilla del ánodo de una aleación especial, el control hará sonar una alarma y se exhibirá F41. Presione el botón ANODE (Ánodo) para silenciar la alarma.
2. Presione el botón ANODE (Ánodo) 3 veces. Se exhibirá "Off" (Apagado) u "On" (Encendido) para confirmar que la función fue desactivada/ activada.

Para activar al función si se instaló una nueva varilla del ánodo con sensor de agotamiento, siga el Paso 2 descrito más arriba.

NOTA: Si la pantalla está en blanco, presione cualquier botón para activar el control antes de ingresar una combinación de botones.

NOTA: Si el calentador de agua fue instalado con un dispositivo que de forma periódica corta la corriente hasta el calentador de agua, la precisión de la función del sensor de agotamiento de la varilla del ánodo se podrá ver comprometida y, por ende, se requerirá la inspección de la varilla del ánodo cada 2 o 3 años.

Si el calentador de agua estará inactivo durante un período de tiempo prolongado y éste no puede ser drenado, se recomienda dejarlo conectado con el calentador de agua en el modo de vacaciones, a fin de asegurar que la función continuará funcionando de forma apropiada mientras aún conserva energía.

NOTA: Consulte las Precauciones sobre el Gas Hidrógeno en la Instrucciones de Funcionamiento (consulte la página 3).

Mantenimiento y Servicio Técnico de la Varilla del Ánodo

⚠ PRECAUCIÓN - AVISO DE SEGURIDAD IMPORTANTE

Se espera que esta información sea usada por individuos que posean una experiencia adecuada a nivel eléctrico, electrónico y mecánico. Cualquier intento de reparar un electrodoméstico grande podrá producir como resultado lesiones personales y daños sobre la propiedad. El fabricante o vendedor no serán responsables por la interpretación de esta información, ni asumirán cualquier responsabilidad en conexión con su uso.

Herramientas que necesitará:

- Destornillador Plano
- Llave de Tubo/ Dinamométrica
- Tubo de 1 1/16"
- Compuesto para Juntas de Tubería o Cinta para Sellado de Tuberías Roscadas
- Varilla del Ánodo si es necesaria

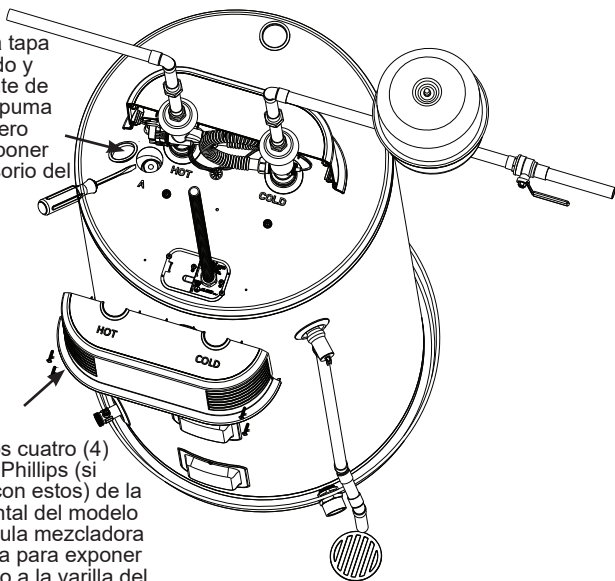
*Para acceder a instrucciones para ordenar piezas, consulte la página 8.

To service the Anode Rod:

1. Desconecte la corriente, cierre el suministro de agua, y parcialmente drene uno o dos galones del calentador de agua a través de la válvula de drenaje inferior.
2. Retire la tapa del ánodo y el aislante de gomaespuma en el agujero con el destornillador de punta plana, a fin de exponer el empalme del ánodo como se muestra en la Ilustración A.

Ilustración B (el aspecto podrá variar según el modelo)

Reitre la tapa del ánodo y el aislante de gomaespuma del agujero para exponer el accesorio del ánodo.



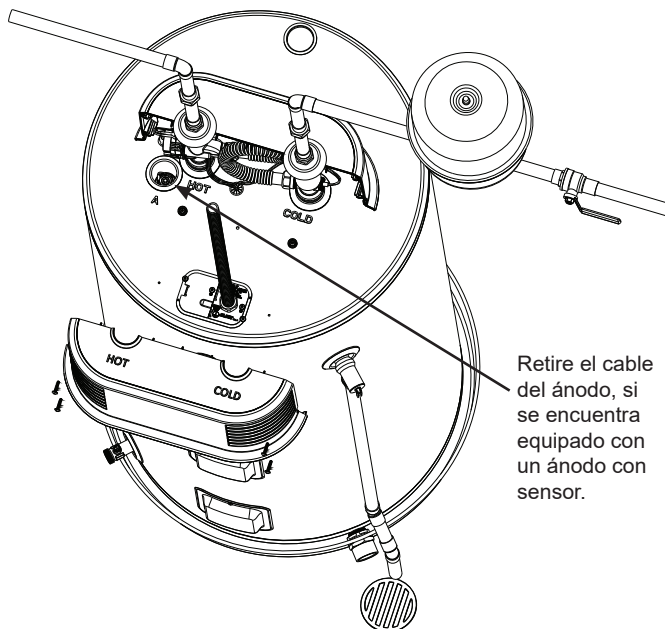
Retire los cuatro (4) tornillos Phillips (si cuenta con estos) de la tapa frontal del modelo con válvula mezcladora integrada para exponer el acceso a la varilla del ánodo.

3. Usando una llave de tubo de 1 1/16", destornille la varilla del ánodo, luego levante la misma para inspeccionar, como se muestra en la ilustración B.

NOTA: Para los modelos con función de detección del ánodo, el accesorio del ánodo ya está expuesto (vea la ilustración C). El cable conectado al accesorio del ánodo debe ser separado antes del siguiente paso.

4. Utilizando una llave de 1 1/16", destornille la varilla del ánodo, luego levante la misma para su inspección, como se muestra en la ilustración D.

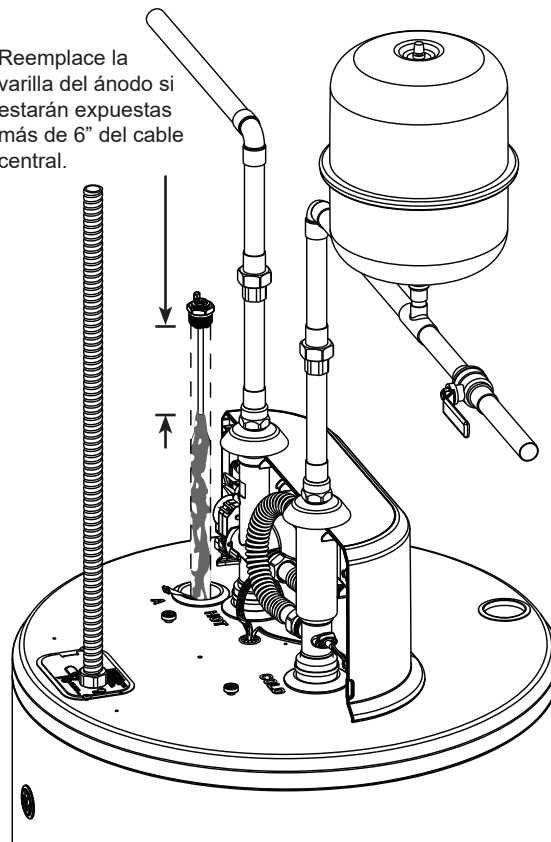
Ilustración C (el aspecto podrá variar según el modelo)



Retire el cable del ánodo, si se encuentra equipado con un ánodo con sensor.

Ilustración D (el aspecto podrá variar según el modelo)

Reemplace la varilla del ánodo si estarán expuestas más de 6" del cable central.



Mantenimiento y Servicio Técnico de la Varilla del Ánodo

5. Reemplace la Varilla del Ánodo (por el mismo tipo de ánodo que fue retirado – con sensor vs. estándar), si estarán expuestas más de 6" del cable central. Comuníquese con el Instalador/ Servicio Técnico para el correcto reemplazo del ánodo o con GEA Customer Support (Soporte al Cliente de GEA) a través de GEAppliances.com/waterheater.
6. Para instalar la varilla del ánodo:
 - a. Selle las roscas con compuesto para juntas de tuberías o con cinta para sellado de roscas de tuberías.
 - b. Enhebre las mismas a través del puerto y ajuste con una llave de torsión hasta 50 +/- 5 pies por libra de torsión.
7. Active el suministro de agua, abra un grifo para retirar cualquier resto de aire atrapado en las tuberías de agua e inspeccione que no haya pérdidas. Repare cualquier pérdida presente, antes de proceder.
8. Vuelva a conectar el cable al accesorio del ánodo (para modelos con sensor de agotamiento del ánodo) o reemplace la tapa del ánodo (para un ánodo estándar sin sensor).
9. Vuelva a ensamblar la tapa frontal, retirada previamente en el paso 2, si se cuenta con la misma.
10. Active el encendido. Si el ánodo con sensor fue reemplazado por una varilla del ánodo con aleación especial (sin sensor), la función del sensor de agotamiento del ánodo deberá ser desactivada y el extremo no adherido del cable deberá ser cubierto con cinta aislante. Para acceder a instrucciones sobre la activación o desactivación del ánodo con sensor, consulte la página 12.
11. Reinicie la luz indicadora de reemplazo del ÁNODO (si se cuenta con la misma), manteniendo presionado el botón ANODE (Ánodo) durante 10 segundos para indicar que la nueva varilla del ánodo con sensor de agotamiento fue instalada.

Instrucciones de Instalación

Al elegir la ubicación del calentador de agua se deberá tener en cuenta lo siguiente:

REGULACIONES DE INSTALACIÓN LOCALES

Este calentador de agua deberá ser instalado de acuerdo con estas instrucciones, códigos locales, códigos de servicios públicos, requisitos de la empresa de servicios públicos o, en ausencia de códigos locales, la edición más reciente del Código Nacional de Electricidad. El mismo está disponible en algunas librerías locales, o se puede adquirir a través de National Fire Prevention Association (Asociación Nacional de Prevención de Incendios), Batterymarch park, Quincy, MA 02169 en cuadernillo ANSI/NFPA 70.

REQUISITOS DE ELECTRICIDAD

Controle las marcas en la placa de especificaciones del calentador de agua para estar seguro de que el suministro de corriente se corresponde con los requisitos del calentador de agua.

NOTA: Las instalaciones de 208V podrán experimentar un rendimiento inferior.

UBICACIÓN

El calentador de agua y las líneas de agua deberían estar protegidos de las temperaturas bajo cero y atmósferas altamente corrosivas. No instale el calentador de agua en áreas al aire libre y desprotegidas.

Ubique el calentador de agua en un área seca y limpia, tan cerca como sea práctico del área de mayor demanda del calentador de agua. Las líneas de agua caliente largas y no aisladas podrán generar desperdicios de energía y agua. La unidad deberá ser instalada en una ubicación a nivel. Si se requiere, agregue cuñas bajo la base de la unidad a fin de realizar la nivelación para un funcionamiento correcto.

NOTA: Esta unidad fue diseñada para cualquier instalación común.

La reparación del calentador de agua requiere que la instalación se haya realizado de forma correcta de modo que los paneles frontales puedan ser retirados y permitir así inspeccionar y hacer la reparación. Este manual cuenta con instrucciones de instalación de referencia. El traslado del calentador de agua u otros electrodomésticos para realizar su servicio técnico no estará cubierto por la garantía.

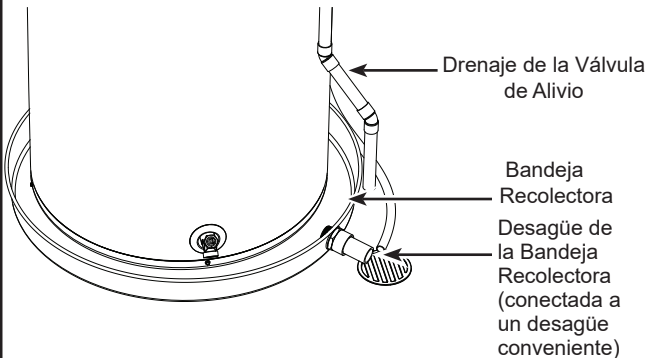
⚠ PRECAUCIÓN Riesgo de daño sobre la propiedad - El calentador de agua no se debería ubicar en un área donde los goteos del tanque o las conexiones resulten en daños sobre el área adyacente a éste o a pisos inferiores de la estructura. Donde dichas áreas no puedan ser evitadas, se recomienda la instalación de una bandeja de recolección, con un drenaje adecuado, debajo del calentador de agua.

UBICACIÓN (Cont).

Despejes requeridos:

Deberá haber suficiente espacio entre cualquier objeto y la parte superior, trasera y costados del calentador de agua, en caso de que sea necesario realizar el servicio técnico. Los controles y el drenaje en el frente de la unidad deberán tener un acceso claro para su uso y reparación. **También son aceptables las instalaciones que requieran un espacio mínimo a los costados o en la parte trasera del calentador de agua para la colocación de correas en caso de terremoto. En estos casos, se deberá brindar espacio adicional del lado opuesto de la unidad para permitir el acceso a las reparaciones.**

INSTALACIÓN DE LA BANDEJA DE RECOLECCIÓN (Si se requiere)



NOTA: La bandeja de recolección auxiliar DEBE cumplir con los códigos locales. Los Kits de Bandejas de Recolección están disponibles en la tienda donde el calentador de agua fue adquirido, una tienda de construcción o un distribuidor de calentadores de agua. La bandeja recolectora debería ser de un mínimo de 2" (5.1 cm.) más grande que el diámetro de la base del Calentador de Agua. A fin de evitar la corrosión y mejorar el acceso a la Válvula de Drenaje, se recomienda que el calentador de agua sea ubicado en espaciadores dentro de la bandeja recolectora.

EXPANSION TERMAL

La presencia de una válvula de retención en la línea de admisión de agua crea un «sistema cerrado». Calentar el agua en un sistema cerrado aumenta la presión porque no se puede disipar en la línea de suministro principal. Llamado «expansión térmica», el rápido aumento de la presión puede activar la válvula de seguridad (descarga de agua) durante cada ciclo de calentamiento, lo que puede provocar un fallo prematuro de la válvula o incluso del calentador de agua. El método sugerido para controlar la expansión térmica es instalar un tanque de expansión en la línea de agua fría entre el calentador de agua y la válvula de retención, como se muestra en las siguientes ilustraciones. Póngase en contacto con su instalador, proveedor de agua o inspector de plomería para obtener más información.

CONEXIONES DEL SUMINISTRO DE AGUA

Para conocer la instalación típica sugerida, consulte la ilustración que aparece a continuación. Las conexiones de agua CALIENTE y FRÍA están claramente marcadas y son de NPT de 3/4" en todos los modelos. Al realizar la conexión a los puertos de entrada/ salida, se recomienda el uso de accesorios cónicos hembra con rosca de 3/4" con uso de sellador de roscas. Se recomienda la instalación de uniones en las conexiones de agua caliente y fría, de modo que el calentador de agua pueda ser fácilmente desconectado para realizar el servicio técnico, en caso de ser necesario. La tubería deberá ser conducida para permitir el retiro de la varilla del ánodo.

NOTA: Instale una válvula de cierre en la línea de agua fría cerca del calentador de agua. Esto permitirá un fácil servicio técnico y mantenimiento de la unidad en forma posterior.

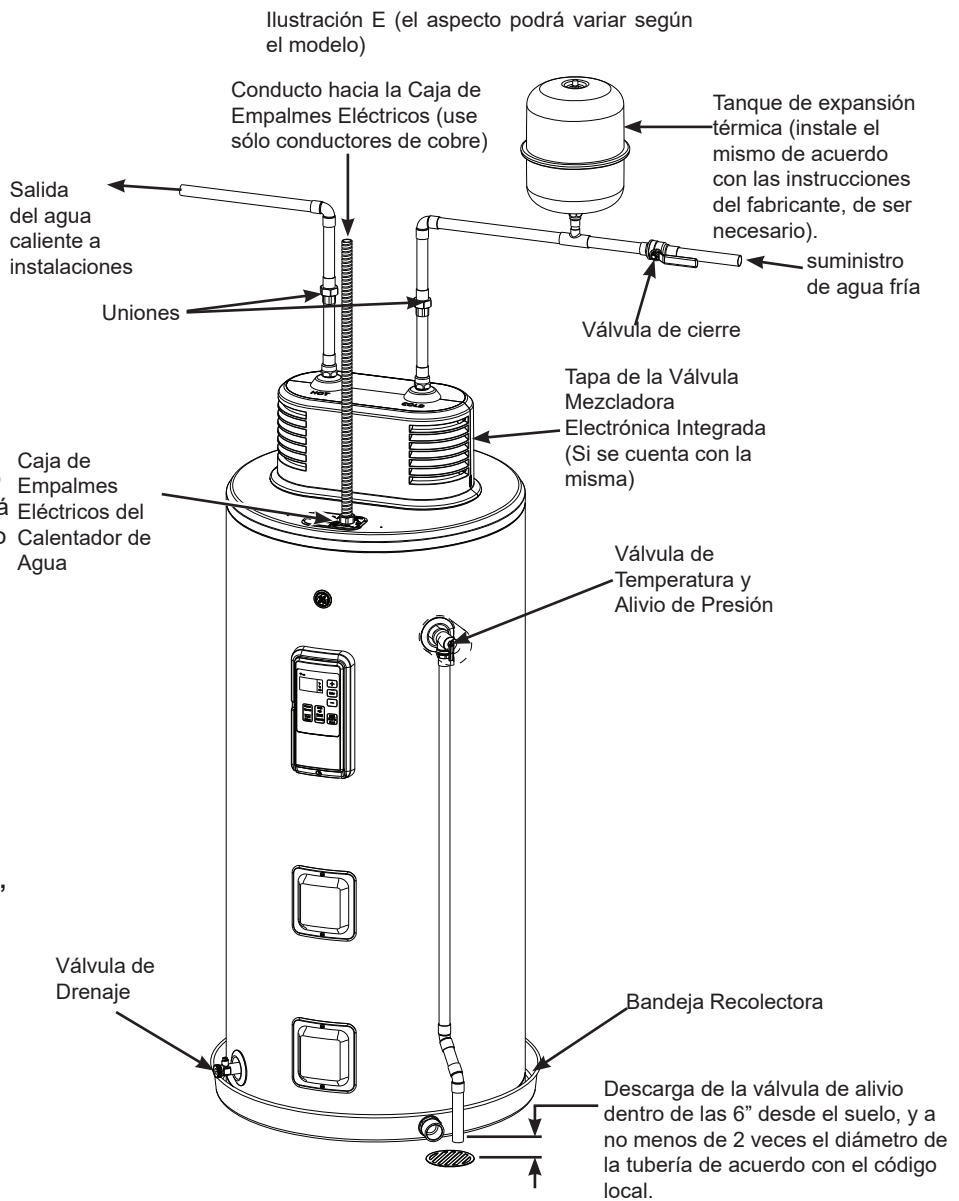
IMPORTANTE: No aplique calor a las conexiones de agua CALIENTE o FRÍA. Si se usan conexiones de soldadura blanda, suelde la tubería al adaptador antes de colocar el adaptador en las conexiones de agua fría del calentador. Cualquier calor aplicado a la conexión de agua caliente o fría dañará de forma permanente la línea plástica interna en estos puertos.

Instale la válvula de alivio de vacío y/o un dispositivo anti sifón cuando esto sea requerido por las jurisdicciones locales.

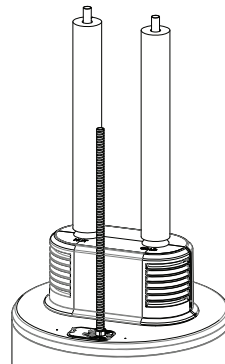
INSTALACIÓN DEL AISLANTE DE LA TUBERÍA CALIENTE Y FRÍA (si se suministra con el producto)

Para una mayor eficiencia energética, algunos calentadores de agua fueron suministrados con secciones de aislante de tubería de 24"

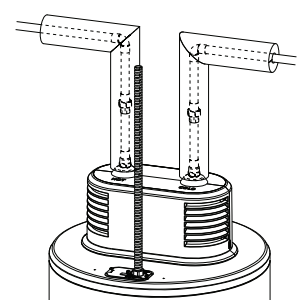
Por favor, instale el aislante, de acuerdo con las ilustraciones anteriores, que mejor coincida con sus requerimientos.



Arreglo típico de la tubería vertical



Arreglo típico de la tubería horizontal



Instrucciones de Instalación

VÁLVULA DE ALIVIO

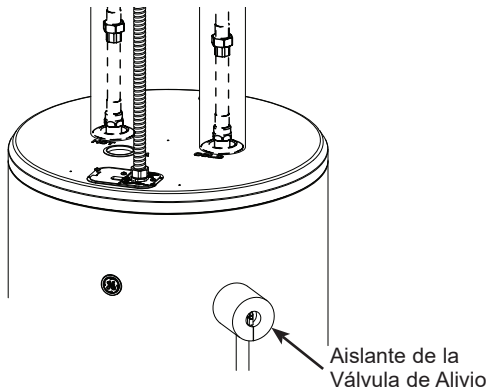
⚠ ADVERTENCIA **Riesgo de daño sobre la unidad - El índice de presión de la válvula de alivio no debe superar los 150 PSI (1.03 MPa), la máxima presión de funcionamiento del calentador de agua según se indica en la placa de calificación.**

Se suministra una válvula de combinación de temperatura y alivio de presión, de acuerdo con el Estándar para las Válvulas de Alivio y Dispositivos de Cierre Automático de Gas para los Sistemas de Suministro de Agua Caliente, ANSI Z21.22, y debe permanecer instalada en la apertura provista y marcada para su propósito en el calentador de agua. Ninguna válvula de ningún tipo debería ser instalada entre la válvula de alivio y el tanque. Se deberá cumplir con los códigos locales en la instalación de las válvulas de alivio.

La calificación BTUH de la válvula de alivio no deberá ser inferior a la calificación de entrada del calentador de agua, de acuerdo con lo indicado en la etiqueta de calificación ubicada en la parte frontal del calentador (1 watt = 3.412 BTUH).

Conecte la salida de la válvula de alivio a un drenaje abierto adecuado, de modo que el agua descargada no pueda tener contacto con las partes eléctricas activas o personas y para eliminar posibles daños con el agua.

La tubería usada deberá ser de un tipo aprobado para la distribución de agua caliente. La línea de descarga no deberá ser más pequeña que la salida de la válvula y se deberá inclinar hacia abajo desde la válvula, a fin de permitir un drenaje completo (por la gravedad) de la válvula de alivio y la línea de descarga. El extremo de la línea de descarga no deberá estar insertado ni oculto y debería estar protegido del congelamiento. Ninguna válvula de ningún tipo, sujeción para restricción o reducción deberán ser instaladas en la línea de descarga.



La apariencia del modelo puede variar

⚠ PRECAUCIÓN

A fin de reducir el riesgo de presiones y temperaturas excesivas en este calentador de agua, instale equipamientos protectores de temperatura y presión, requeridos por los códigos locales y no inferiores a una válvula de combinación de temperatura y alivio de presión certificados por un laboratorio de evaluación reconocido a nivel nacional que mantenga inspecciones periódicas de la producción equipamiento y materiales listados, cumpliendo con los requisitos de Válvulas de Alivio y Dispositivos de Cierre de Gas Automáticos para Sistemas de Suministro de Agua Caliente, ANSI Z21.22. Esta válvula deberá contar con una marca de presión máxima que no supere la presión de trabajo máxima del calentador de agua. Instale la válvula en una abertura provista y marcada para este propósito en el calentador de agua, y oriente la misma o brinde una tubería, de modo que cualquier descarga de la válvula salga sólo arriba de los 6 pies, o a cualquier distancia inferior, el piso estructural, y que no tenga contacto con ninguna parte eléctrica activa. La abertura de la descarga no deberá ser bloqueada ni reducida de tamaño, bajo ninguna circunstancia.

PARA LLENAR EL CALENTADOR DE AGUA

⚠ ADVERTENCIA **Riesgo de daño sobre la unidad - El tanque debe estar lleno de agua antes de encender el calentador. La garantía del calentador de agua no cubre daños ni fallas como resultado de un funcionamiento con el tanque vacío o parcialmente vacío.**

Asegúrese de que la válvula de drenaje esté completamente cerrada.

Abra la válvula de cierre en la línea de suministro de agua fría.

Abra todos los grifos de agua caliente lentamente, a fin de permitir que el aire se descargue desde el calentador de agua y la tubería.

Un flujo parejo desde el grifo(s) de agua caliente indica que el calentador de agua está lleno.

Se podrá formar condensación en el tanque y en las juntas cuando se llene de agua por primera vez. La condensación también podrá ocurrir con un retiro de agua pesada y una temperatura muy fría de entrada del agua.

Este problema no es atípico y desaparecerá una vez que el agua sea calentada. Si el problema persiste, examine posibles pérdidas en las juntas y realice su reparación, según sea necesario.

⚠ AVISO

Evite realizar las conexiones eléctricas en forma equivocada. Se deberán aplicar 240V AC o 208AC a través de los cables L1 y L2, como se muestra en la ilustración de la "caja de unión del calentador de agua". Si no se hace esto, la garantía quedará ANULADA, y como resultado se podrán aplicar 120V al calentador de agua, lo cual podrá dañar el compresor u otros componentes eléctricos.

Si un cable con 4 conductores es suministrado al calentador de agua, cubra el neutro, y conecte los cables restantes como se muestra en la ilustración.

Instrucciones de Instalación

CONEXIONES ELÉCTRICAS

Un electricista calificado deberá instalar un circuito derivado individual con conductores de cobre, un dispositivo para la protección de sobrecarga y un medio adecuado de desconexión.

Todos los cableados deberán cumplir con los códigos locales o la edición más reciente del Código Nacional de Electricidad ANSI/NFPA 70.

El calentador de agua está completamente cableado a la caja de conexiones en la parte superior del calentador de agua. Se brinda una abertura de 1/2" para accesorios eléctricos para conexiones de cableados.

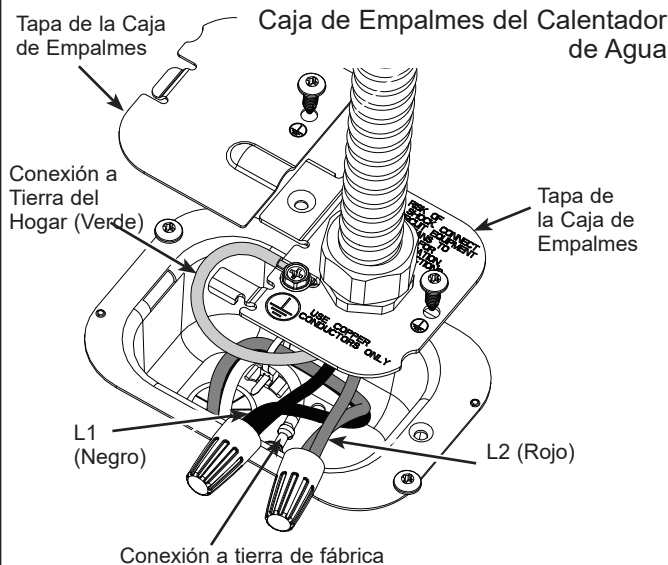
Los requisitos de carga de voltaje y vataje del calentador de agua son especificados en la etiqueta de calificación ubicada en la parte frontal del calentador de agua.

El cableado de circuito derivado debería incluir:

1. Conducto metálico o cable metálico enfundado aprobado para su uso como conductor de conexión a tierra y ser instalado con accesorios aprobados para dicho propósito.
2. Los cables no metálicos enfundados, conductos metálicos o cables metálicos enfundados no aprobados para uso como conductor de conexión a tierra incluirán un conductor separado para la conexión a tierra. Debería estar adjunto a las terminales de conexión a tierra del calentador de agua y la caja de distribución eléctrica.

Para conectar la corriente al calentador de agua:

1. Apague la corriente.
2. Retire el tornillo/ tornillos que sostienen la tapa superior de la caja de unión.
3. Instale L1 a L1, L2 a L2 y el cable a tierra en la tapa de la caja de empalmes fijos, de acuerdo con la ilustración siguiente.
4. Vuelva a colocar todos los tornillos que adhieren las tapas de las cajas de empalmes.



⚠ ADVERTENCIA Riesgo de incendio y descarga eléctrica. Asegúrese de que las tapas de las cajas de empalmes y los tornillos de conexión a tierra estén ajustados de forma segura para una correcta conexión a tierra.

NOTA: Instale las conexiones eléctricas de acuerdo con los códigos locales o la edición más reciente del Código Nacional de Electricidad ANSI/NFPA 70.

⚠ ADVERTENCIA Es esencial que la conexión a tierra sea la adecuada. La presencia de agua en la tubería y el calentador de agua no brindan la conducción suficiente para la conexión a tierra. La tubería no metálica, uniones dieléctricas, conectores flexibles, etc., pueden hacer que el calentador de agua quede eléctricamente aislado. No desconecte la conexión a tierra de fábrica. La garantía del fabricante no cubre ningún daño o defecto ocasionado por la instalación, adhesión o uso de ningún tipo de ahorro de energía u otros dispositivos no aprobados (diferentes a aquellos autorizados por el fabricante) en, sobre o junto con el calentador de agua. El uso de dispositivos de ahorro de energía no autorizados pueden acortar la vida útil del calentador de agua y poner en riesgo su vida y su propiedad.

El fabricante queda eximido de toda responsabilidad por dicha pérdida o lesión resultante del uso de tales dispositivos no autorizados.

Si los códigos locales requieren la aplicación externa de kits de mantas aislantes, las instrucciones del fabricante incluidas en el kit se deberán seguir cuidadosamente.

La aplicación de cualquier aislante externo, mantas o aislante de la tubería de agua sobre este calentador de agua requerirá especial cuidado sobre lo siguiente:

- No cubra la válvula de temperatura y alivio de presión.
- No cubra los paneles de acceso a los elementos de calefacción.
- No cubra la caja de unión eléctrica del calentador de agua.
- No cubra las etiquetas de funcionamiento o advertencia del calentador de agua ni intente reubicar las mismas en la parte exterior de la manta aislante.
- No bloquee la entrada/ salida de aire en las tapas superiores o traseras de la unidad.

NOTA: En esta guía se recomienda el tamaño mínimo del circuito derivado en base al Código Nacional de Electricidad. Para las conexiones de cableados, consulte los diagramas de cableados del manual.

GUÍA DE TAMAÑOS PARA CIRCUITOS DERIVADOS

Voltaje Total del Calentador de Agua	Protección Recomendada para Sobrecarga (calificación de amperaje de fusible o interruptor de circuitos)	Tamaño del Cable de Cobre AWG Basado en la Tabla N.E.C. 310-16 (167° F/ 75° C)
@240V	208-240V	208-240V
3,000	20	12
4,000	25	10
4,500	25	10
5,000	30	10
5,500	30	10
6,000	35	8
8,000	45	8
9,000	50	8
10,000	–	–
11,000	–	–
12,000	–	–

Consejos para la Solución de Problemas

¡Ahorre tiempo y dinero!

Lea primero el cuadro que aparece a continuación y es posible que no necesite solicitar reparaciones.

⚠ PRECAUCIÓN Para su seguridad, **NO** intente reparar cableados eléctricos, controles, elementos de calentamiento u otros dispositivos de seguridad. Derive las reparaciones a personal calificado del servicio técnico.

Problema	Causas Posibles	Qué Hacer
USO Y RENDIMIENTO		
Sin suficiente agua caliente o sin agua caliente	Es posible que la temperatura del agua esté configurada demasiado baja.	<ul style="list-style-type: none"> Consulte las secciones de Ajuste de Temperatura y Capacidad del Calentador de Agua. (Páginas 4 y 5). Si el producto posee una válvula mezcladora integrada, eleve la configuración de capacidad a "High" (Alto) o "X-High" (Extra Alto) para incrementar la capacidad del agua caliente disponible.
	Es posible que la temperatura del agua fría entrante sea más fría durante los meses de invierno.	<ul style="list-style-type: none"> Esto es normal. Cuanto más fría sea el agua entrante, más tiempo le tomará calentarse. Considere incrementar la temperatura configurada como se describió en la sección de Ajuste de Temperatura del Agua.
	Grifos de agua caliente que gotean o están abiertos.	<ul style="list-style-type: none"> Asegúrese de que todos los grifos estén cerrados.
	Largas extensiones de tubería expuesta, o tubería de agua caliente en pared externa.	<ul style="list-style-type: none"> Aísle la tubería.
	Tubo de inmersión dañado	<ul style="list-style-type: none"> Llame al servicio técnico.
	Es posible que se haya quemado un fusible, que se haya desconectado el disyuntor, o que el servicio eléctrico de su hogar haya sido interrumpido.	<ul style="list-style-type: none"> Reemplace el fusible o reinicie el disyuntor. Comuníquese con su proveedor local del servicio eléctrico.
	Cableado inadecuado	<ul style="list-style-type: none"> Lea la sección de Instrucciones de Instalación.
	Límite de reinicio manual (TCO).	<ul style="list-style-type: none"> Consulte la sección Control de Seguridad en la página 4.
	Las conexiones de agua a la unidad están invertidas.	<ul style="list-style-type: none"> Conexiones de tuberías correctas.
	Interferencia en el Sistema de Recirculación (si está instalado)	<ul style="list-style-type: none"> Controle que la configuración del índice del flujo no esté demasiado alto. Aísle la tubería
El agua está demasiado caliente	La configuración de la temperatura del agua es demasiado alta.	<ul style="list-style-type: none"> Consulte la sección Acerca de la Configuración de la Temperatura del Agua.
	El control electrónico falló.	<ul style="list-style-type: none"> Llame al servicio técnico.
Panel de Control		
<i>El calentador está emitiendo un pitido, la luz del ánodo está encendida (en algunos modelos), y la pantalla indica F70.</i>	La varilla del ánodo se está aproximando al final de su vida útil, y se recomienda reemplazar la misma a fin de continuar ofreciendo protección contra la corrosión.	<ul style="list-style-type: none"> Llame al servicio técnico o siga las instrucciones sobre cómo reemplazar la varilla del ánodo en la página 12. Asegúrese de que la varilla del ánodo con sensor de agotamiento del ánodo u otras varillas del ánodo aprobadas por GE Appliances sean instaladas. La instalación de una varilla del ánodo no aprobada ANULARÁ la garantía.
<i>El calentador está emitiendo un pitido y la pantalla indica F41</i>	La varilla del ánodo no se encuentra correctamente conectada y es posible que el calentador de agua no esté protegido contra la corrosión.	<ul style="list-style-type: none"> Controle que el tanque esté completamente lleno de agua. Si el tanque está completamente lleno de agua y el código F41 continúa presente, comuníquese con el servicio de GE Appliances. Presione el botón del ánodo para silenciar la alarma.
<i>El calentador está emitiendo un pitido y en la pantalla titila "F78"</i>	La unidad no está recibiendo 240VAC como se espera.	<ul style="list-style-type: none"> Apague el calentador de agua (generalmente desde el panel del disyuntor). Luego lea la sección de Conexiones Eléctricas en Instrucciones de Instalación en la página 17
OTRO		
Sonido ensordecedor	Las condiciones del agua en su hogar ocasionaron una acumulación de sarro y depósitos minerales en los elementos de calentamiento.	<ul style="list-style-type: none"> Retire y limpie los elementos de calentamiento. Esto sólo deberá ser realizado por personal calificado del servicio técnico o un plomero contratista.
<i>Chirrido / chirrido al extraer agua caliente</i>	En ciertas condiciones de uso, el ruido puede transmitirse a través de la tubería desde la válvula mezcladora integrada.	<ul style="list-style-type: none"> El aumento del punto de ajuste del usuario o la reducción de la configuración de la capacidad pueden abordar esta condición en los modelos integrados de válvulas mezcladoras. Consulte a un profesional de fontanería para instalar un dispositivo limitador de presión, si se debe a una alta presión de agua.
<i>Ruido intermitente del motor EMV en modelos de válvula mezcladora integrada</i>	Se puede escuchar un ruido suave del motor durante el funcionamiento normal debido al movimiento de la válvula de control.	<ul style="list-style-type: none"> Este ruido es normal y no indica ningún problema con el producto.
Goteo de agua por fuera del calentador	Las conexiones de agua caliente/fría u otras partes se aflojaron	<ul style="list-style-type: none"> Ajuste las conexiones flojas. Esto sólo deberá ser realizado por personal calificado del servicio técnico o un plomero contratista.
La válvula de alivio produce un chisporroteo o drenaje	Acumulación de presión ocasionada por expansión térmica hacia un sistema cerrado	<ul style="list-style-type: none"> Ésta es una condición inaceptable y deberá ser corregida. Consulte la sección de Expansión Térmica en la página 14. No enchufe la ficha de la válvula de alivio. Contacte a un plomero contratista para corregir esto.

Consejos para la Solución de Problemas

Problema	Causas Posibles	Qué Hacer
El agua caliente tiene olor a huevo podrido o azufre	Ciertos suministros de agua con alto contenido de sulfato reaccionarán con la varilla del ánodo que está presente en todos los calentadores de agua para la protección del tanque contra la corrosión.	<ul style="list-style-type: none">• El olor puede ser reducido o eliminado en la mayoría de los calentadores de agua, reemplazando la varilla del ánodo por un material de varilla menos activo. En algunos casos, es posible que sea necesario agregar el paso de clorar el calentador de agua y todas las tuberías de agua caliente. Para acceder a opciones e instrucciones, comuníquese con su plomero o con el profesional local en relación al agua. Comuníquese al 1.800-952-5039 para aprender a adquirir el reemplazo de esta varilla del ánodo. Personal calificado del servicio técnico o un plomero deberán realizar este reemplazo. El uso de una varilla de ánodo no aprobada por GE Appliances, o el uso del calentador de agua sin una varilla de ánodo aprobada por GE Appliances ANULARÁN la garantía.• En ciertos casos, incrementar la temperatura del tanque a 140°F (60°C) puede reducir este problema de olor. Consulte la sección de Ajustes de Temperatura del Agua de este manual para conocer los procedimientos y evitar riesgos de escaldaduras. Se podrá usar la instalación de válvulas de límite de temperatura para reducir el riesgo de escaldaduras.



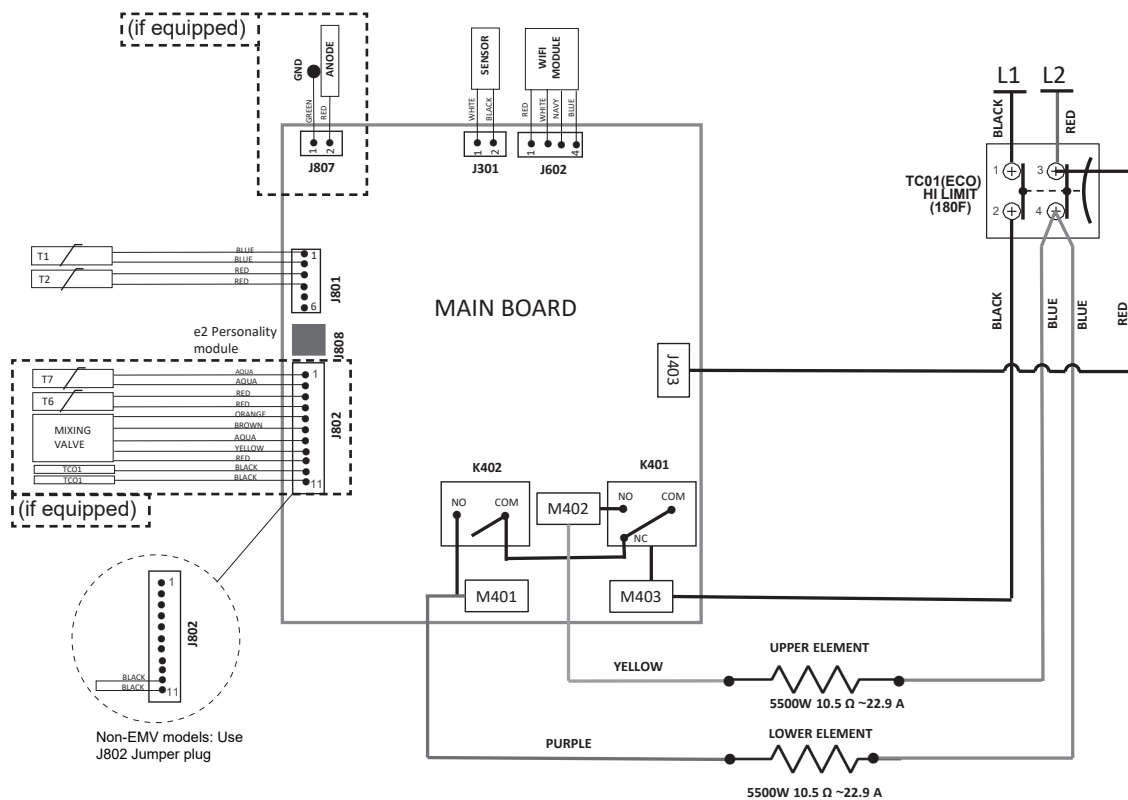
Código de Falla

Código de Falla Exhibido	Condición	Acción
F10 o F12	Falla del Elemento de Calentamiento Inferior	Llame al servicio técnico para reemplazar el elemento de calefacción
F11 o F13	Falla del Elemento de Calentamiento Superior	Llame al servicio técnico para reemplazar el elemento de calefacción
F16*	Salida de la Válvula Mezcladora de CC con TCO (sensor térmico) en corto.	Llame al servicio técnico para corregir el problema que genera la falla y reemplace el TCO.
F17	Cable de acoplamiento faltante en modelos sin EMV (Válvula Mezcladora Electrónica)	Llame al servicio técnico para confirmar el problema e instale el enchufe del cable de acoplamiento.
F18*, F63* o F64*	Falla de la Válvula Mezcladora	Llame al servicio técnico para un diagnóstico y reparación.
F19	Fuente de Calor Creciente	Llame al servicio técnico para su reparación.
F30	Falla en la Temperatura del Tanque (T1) abierto/ corto	Llame al servicio técnico para el reemplazo del sensor.
F31	Falla en la Temperatura del Tanque (T2) abierto/ corto	Llame al servicio técnico para el reemplazo del sensor.
F32 o F33	Falla en la Temperatura del Tanque (T1 o T2)	Llame al servicio técnico para el reemplazo del sensor requerido.
F38*	Falla en la Temperatura de la Salida de la Válvula Mezcladora (T6)	Llame al servicio técnico para el reemplazo del sensor requerido.
F39*	Falla en la Temperatura de la Salida de la Válvula Mezcladora (T7)	Llame al servicio técnico para el reemplazo del sensor requerido.
F40	Falla del Sensor Actual	Llame al servicio técnico para un diagnóstico y corrección.
F41#	Ánodo con Sensor Mal Cableado	Confirme que el cable se encuentre conectado a la terminal del ánodo con sensor. De otro modo, llame al servicio técnico.
F44 o F45	Micro Falla	Llame al servicio técnico para su reparación.
F70#	Ánodo Agotado	Llame al servicio técnico para el reemplazo del ánodo con sensor (consulte la sección de reemplazo del ánodo en el manual).
F71	Transformador de Corriente Alterna Mal Cableado	Llame al servicio técnico para un diagnóstico y reparación.
F76	Voltaje demasiado bajo	Llame al servicio técnico para un diagnóstico y reparación.
F77	Falla por Tecla Atascada	Llame al servicio técnico para un diagnóstico y reparación.
F90	Módulo E2 desenchufado o dañado	Llame al servicio técnico para un diagnóstico y reparación.
F94	Falla en el Tablero WiFi (icono de WiFi oscuro)	Llame al servicio técnico para un diagnóstico y reparación.

* Se aplica a modelos con válvula mezcladora integrada.

Se aplica a modelos con ánodo con sensor.

Diagrama del Cableado



Garantía Limitada del Calentador de Agua de GE Appliances

GARANTÍA LIMITADA

Todo el servicio de garantía es provisto por nuestros Centros de Servicio de Fábrica o un técnico autorizado de Customer Care®. Para programar el servicio de su calentador de agua GE, llame a Calentadores de agua GE al 1-800-943-8186. Tenga a mano su número de serie y su número de modelo cuando solicite servicio técnico. El mantenimiento de su dispositivo puede requerir el uso del puerto de datos integrado para el diagnóstico. Esto le brinda al técnico de servicio de fábrica de GE Appliances la capacidad de diagnosticar rápidamente cualquier problema con su electrodoméstico y ayuda a GE Electrodomésticos a mejorar sus productos al proporcionarle información sobre su electrodoméstico. Si no desea que los datos de su dispositivo se envíen a GE Appliances, informe a su técnico que no envíe los datos a GE Appliances en el momento del servicio.

Por el Período de:	Reemplazaremos:
Un Año Desde la fecha de la compra original	<i>Cualquier parte especificada en la fábrica del calentador de agua que falla debido a un defecto en los materiales o la mano de obra. Durante esta garantía limitada de un año, también proporcionaremos, sin cargo, toda la mano de obra y servicios relacionados para reemplazar la pieza defectuosa.</i>
Segundo a décimo o duodécimo año Desde la fecha de la compra original	<i>Cualquier parte del Calentador de Agua que falle debido a un defecto en los materiales o la fabricación. Durante este período desde el segundo hasta el último año de garantía, no se incluirá el trabajo y el servicio relacionado para reemplazar la pieza defectuosa.</i> <i>*La garantía está basada en el 6to y 7mo dígito del número de modelo ubicado en la placa de especificaciones (es decir: GE50T<u>12</u>BLM posee una garantía de piezas de 12 años).</i>

Qué No Está Cubierto:

- Viajes del técnico del servicio a su hogar para enseñarle sobre cómo usar el producto.
- Instalación, entrega o mantenimiento inadecuados.
- El envío y la manipulación de piezas de repuesto y el costo de retirar la parte defectuosa o el tanque después del primer año de garantía limitada NO están cubiertos.
- Fallas del producto en caso de abuso, mal uso, alteración, o uso para propósitos diferentes al original.
- Uso de este producto donde el agua que no sea microbiológicamente segura o sea de calidad desconocida sin una desinfección adecuada, antes o después, del sistema.
- Reemplazo de fusibles de la casa o reinicio de disyuntores.
- Daño ocasionados sobre el producto por accidente, rayos, incendio, inundaciones o catástrofes naturales.
- Daño consecuentes o incidentales causados por posibles defectos sobre este producto, su instalación o reparación.
- Producto no accesible para brindar el servicio requerido de un modo seguro. La instalación en desvanes deberá contar con pisos y escaleras accesibles.
- Si el producto es retirado de su ubicación de instalación original.
- Si el producto u otro electrodoméstico deben ser trasladados para acceder al servicio técnico.
- Daño, funcionamiento inadecuado o fallas ocasionadas por el uso de servicios de reparación no aprobados por GE Appliances.
- Daño, funcionamiento inadecuado o fallas ocasionadas por el uso de piezas o componentes no aprobados.
- Daño, funcionamiento inadecuado o fallas ocasionadas por uso de la bomba de calentamiento del calentador de agua sin la varilla del ánodo.
- Consumo y reemplazo de la varilla del ánodo.
- Daño, funcionamiento inadecuado o fallas como resultado de uso de la bomba de calentamiento con el tanque vacío o parcialmente vacío.
- Daño, funcionamiento inadecuado o fallas ocasionadas por usar el tanque bajo presión superior a aquella mostrada en la etiqueta de calificación.
- Daño, funcionamiento inadecuado o fallas ocasionadas por usar la bomba de agua del calentador de agua con voltaje eléctrico fuera del rango de voltaje que figura en la etiqueta de calificación.
- Falla del calentador de agua debido a que éste fue usado en un ambiente corrosivo.
- Si este calentador de agua es usado con una finalidad distinta al uso residencial familiar y privado, el trabajo no será cubierto por la garantía, y la garantía de las piezas será reducida a 1 año desde la fecha de compra.

EXCLUSIÓN DE GARANTÍAS IMPLÍCITAS—Su única y exclusiva alternativa es la reparación del producto, como se indica en la Garantía Limitada. Las garantías implícitas, incluyendo garantías implícitas de comerciabilidad o conveniencia sobre un propósito particular, se limitan a un año o al período más corto permitido por la ley.

Esta garantía limitada se extiende al comprador original y a cualquier propietario posterior de productos comprados para uso doméstico dentro de los EE. UU. Si el producto se encuentra en un área donde no está disponible el servicio de un Servicio Técnico Autorizado de GE Appliances, usted puede ser responsable de un cargo por viaje o se le puede pedir que lleve el producto a una ubicación de Servicio Autorizado de GE Appliances para su reparación. En Alaska, la garantía limitada excluye el costo de envío o llamadas de servicio a su hogar.

Algunos estados no permiten la exclusión o limitación de daños fortuitos o consecuentes. Esta garantía limitada le da derechos legales específicos y es posible que tenga otros derechos legales que varían entre un estado y otro. Para conocer cuáles son sus derechos legales, consulte a la oficina de asuntos del consumidor local o estatal o al Fiscal de su Estado.

Para obtener información sobre Garantía y Servicios de productos adquiridos fuera de EE.UU., comuníquese con su vendedor minorista.

**Garante de Productos Adquiridos en Estados Unidos:
GE Appliances, a Haier company
Louisville, KY 40225**

Abroche su recibo aquí: Para acceder al servicio técnico de acuerdo con la garantía, deberá contar con la prueba de la fecha original de compra.

Soporte para el Consumidor

Registre su Electrodoméstico

¡Registre su electrodoméstico nuevo a través de Internet, según su conveniencia! Un registro puntual de su producto permitirá una mejor comunicación y un servicio más puntual de acuerdo con los términos de su garantía, en caso de surgir la necesidad.

- Escanee el Código QR en la tarjeta de registro del producto, o en el producto.



NOTA: Esto es sólo un ejemplo de lo que representa un código QR.

- O visite **GEAppliances.com/register**.
 - O envíe por correo su tarjeta de registro preimpresa, incluida en el material de embalaje.
-

Servicio al Consumidor

Si desea realizar una consulta o necesita asistencia con su nuevo calentador de agua en relación a ajustes, reparaciones o mantenimiento de rutina:

- Revise las secciones de Consejos para la Solución de Problemas o Cuidado y Limpieza de este Manual del Propietario.
- Comuníquese con su instalador local, plomero contratista, o llame al Servicio y soporte de GE Appliances al 1-800-943-8186.

NOTA: Podrá encontrar el número de teléfono de su instalador en la etiqueta del producto.

Si aún tiene problemas, comuníquese con el Soporte al Cliente de GE Appliances en **GEAppliances.com/waterheater**

Piezas y Accesorios

Aquellos individuos calificados para realizar el servicio técnico de sus propios electrodomésticos pueden solicitar el envío de piezas y accesorios directamente a sus hogares. (Se aceptan las tarjetas VISA, MasterCard y Discover). Ordene a través de Internet las 24 horas del día.

En EE.UU., visite GEAppliances.com.

Contáctenos

Si no se encuentra satisfecho con el servicio que recibió, comuníquese con nosotros a través de nuestro sitio Web con todos los detalles, incluyendo su número telefónico, o escriba a:

En EE.UU.: General Manager, Customer Relations |GE Appliances, Appliance Park |Louisville, KY 40225

GEAppliances.com/contact