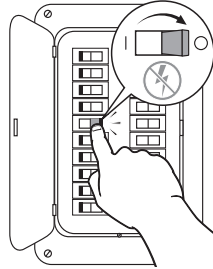


BEFORE YOU START

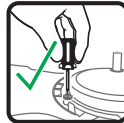
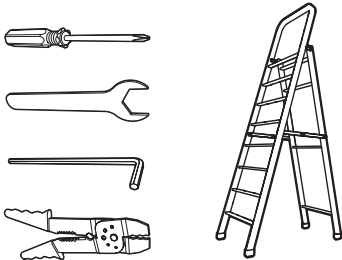
Turn O Power

Contact a licensed electrician if you are uncomfortable performing electrical work. A licensed electrician must install the fan if required by local code.

- ⚠ Do not use the fan with a dimmer switch.
- ⚠ Turn o power at breaker!



Gather Tools



Prepare Fan Site

Mounting: Sloped or flat ceilings from 11 to 18 feet (3.4 to 5.5 meters)

Input Voltage: 100–240 VAC, 50–60 Hz

Outlet Box: Make sure your outlet box is suitable for fan support. If there is not an outlet box at the fan location, install one on a ceiling joist or beam.

Concrete Ceiling: Install an anchor hook for the safety cable if required by your local building and safety code. See the following page for installation details.

Wood Ceiling Joist: Attach the mounting bracket directly to the joist using two wood screws (not supplied). Big Ass Fans recommends using corrosion-resistant 12-11 x 45 mm hex head timber screws with seal.

Select Extension Tube

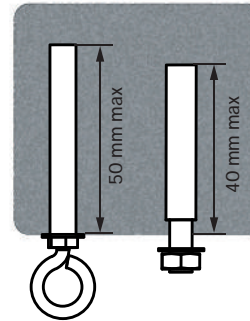
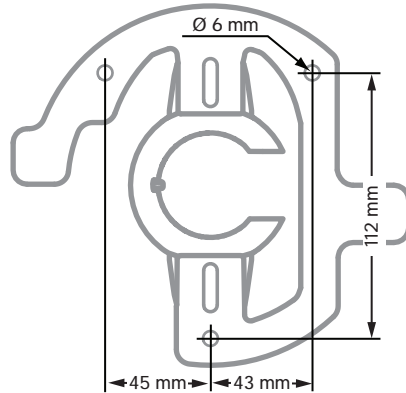
Select the appropriate extension tube for your ceiling height and slope. See page 2 for a guide to select the most appropriate extension tube.

READ AND SAVE THESE INSTRUCTIONS

Concrete Ceiling

Drill three $\text{\O} 6$ mm holes in the pattern shown. The hole depth should not exceed 40 mm. Remove any dust from the holes. Insert three anchor bolts into the holes. Strike the heads of the anchor bolts with a hammer, ensuring the bolt sleeves are flush with the ceiling surface. Position the mounting bracket on the anchor bolts. Ensure all three anchor bolts are fully tightened to expand and lock the anchors.

If required by local building and safety codes, install an anchor hook for the safety cable. Drill an $\text{\O} 8$ mm hole for the anchor hook. The hole depth should not exceed 50 mm. Remove any dust from the hole, and then insert the anchor hook and fully tighten.



Choosing an Extension Tube

Consult the tables below to select the appropriate extension tube for your fan.

Ceiling Height

For optimum performance, Big Ass Fans recommends the following extension tube lengths based on ceiling height.

Ceiling Height	Extension Tube Length
9.5–11 ft (2.9–3.4 m)	20 in. (508 mm)
11–13 ft (3.4–4 m)	32 in. (813 mm)
13–14 ft * (4–4.3 m) *	48 in. * (1219 mm) *
>14 ft * (>4.3 m) *	60 in. * (1524 mm) *


* Big Ass Fans recommends using an extended length extension tube for ceiling heights over 13 ft (4 m). The fan comes standard with 20 in. (508 mm) and 32 in. (813 mm) extension tubes. Other lengths are available by contacting Customer Service.

Ceiling Slope

Haiku fans with a universal mount can be installed on sloped ceilings with an angle no greater than 33°.

Fan Diameter	Maximum Ceiling Slope	Extension Tube Length
52 in. (1.3 m)	26°	20 in. (508 mm)
52 in. (1.3 m)	33°	32 in. (813 mm)
60 in. (1.5 m)	22°	20 in. (508 mm)
60 in. (1.5 m)	33°	32 in. (813 mm)
84 in. (2.1 m)	16°	20 in. (508 mm)
84 in. (2.1 m)	29°	32 in. (813 mm)

Haiku Remote

 Do not expose the remote control to rain or water.



Turns fan on or off.



Sets fan timer length of up to eight hours. Each press extends timer by one hour.



Turns light on or off.



Clears active fan timer.



Increases fan speed/light brightness.



Varies fan speed to simulate a natural breeze.

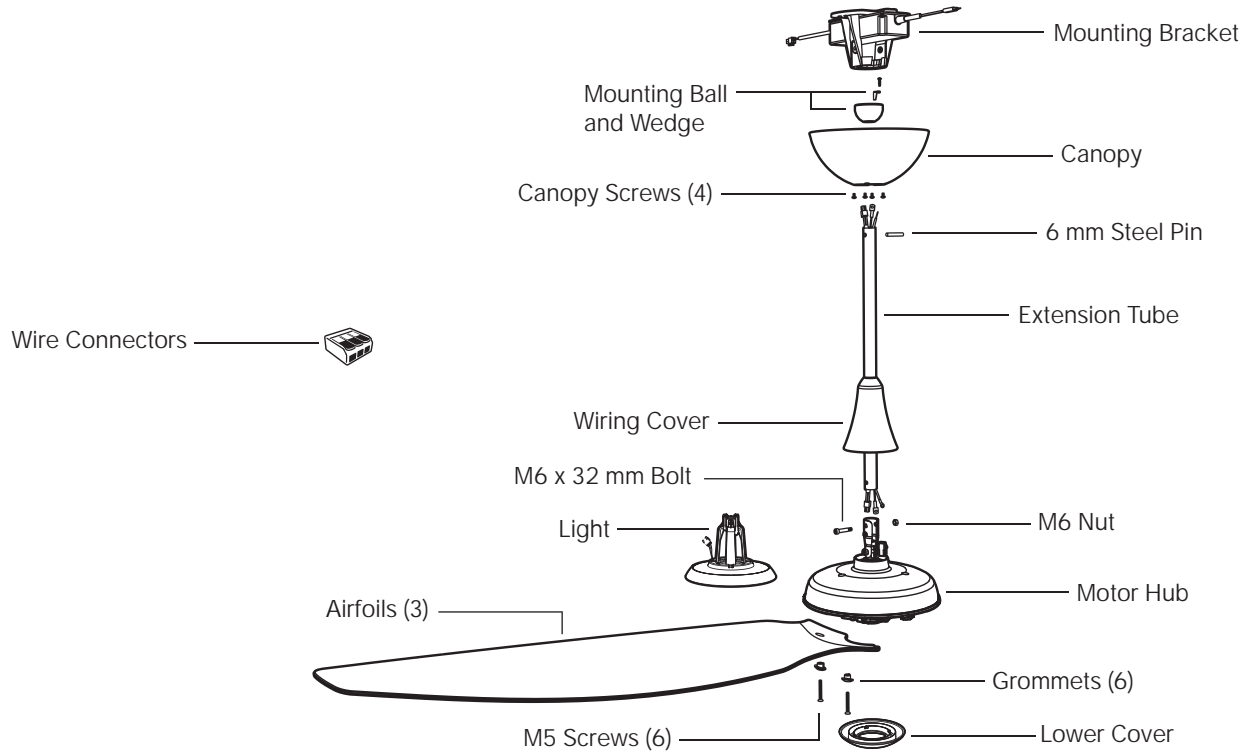


Decreases fan speed/light brightness.



Automatically adjusts your fan speed overnight to keep you comfortable while you sleep.

INSTALLATION



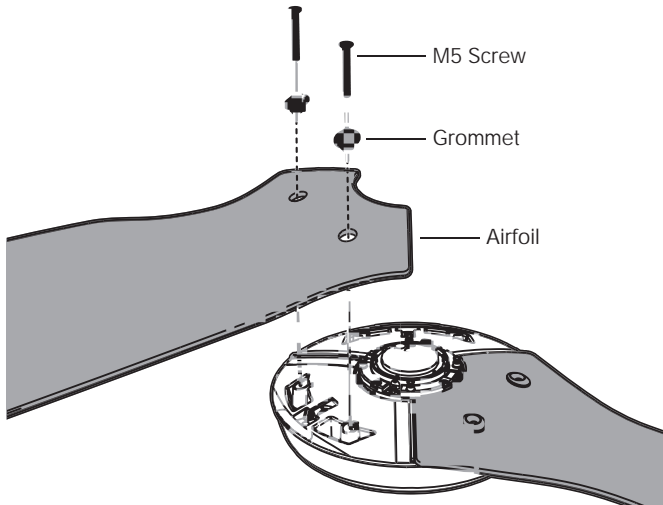
Safety cable not shown
If the EMI filter is included, install it with your fan.

1 Install Airfoils

Remove and recycle the plastic protective cover.

Moving clockwise, align each airfoil on the fan hub and secure it with the airfoil hardware (Fig. 1). **Make sure the sticker color on each airfoil matches the corresponding sticker color on the fan hub!**

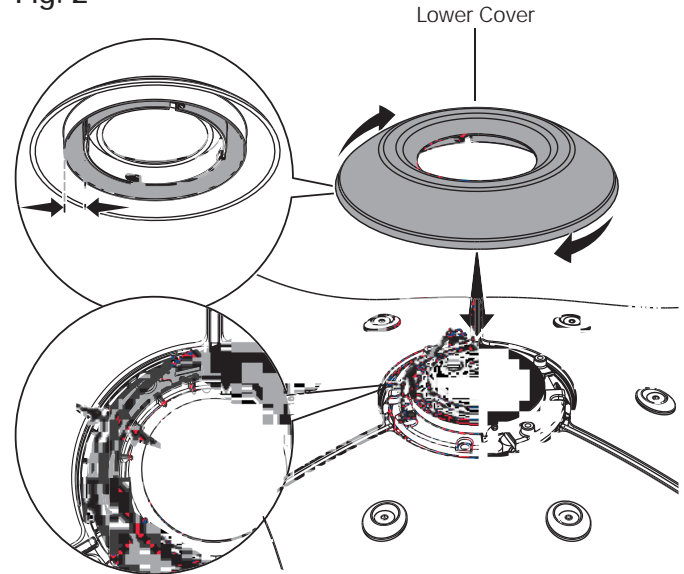
Fig. 1



2 Install Lower Cover

Attach the lower cover. Make sure the wiring harness on the bottom of the fan is tucked into the groove on the fan and the groove on the lower cover (Fig. 2).

Fig. 2



3 Attach Extension Tube and Wiring Harness

Align the holes on the extension tube with the holes on the motor bracket, and then secure the tube with the M6 x 32 mm bolt and M6 nut (Fig. 3.1). Make sure the extension tube is not tilted and is perpendicular to the motor hub.

Connect the wiring harness from the extension tube to the receptacle from the motor hub (Fig. 3.2).

Fig. 3.1

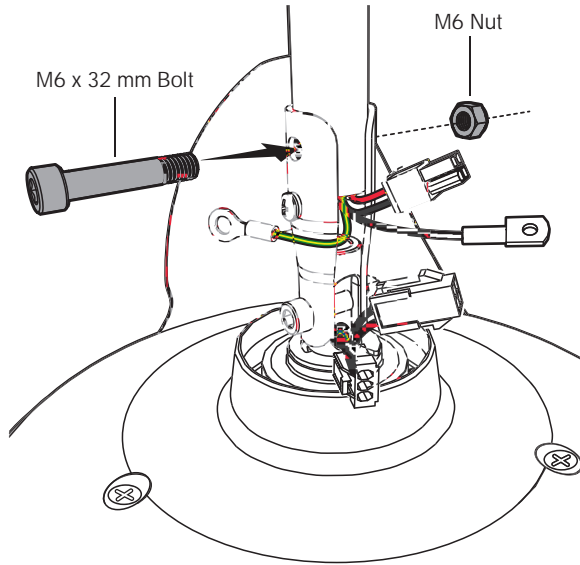
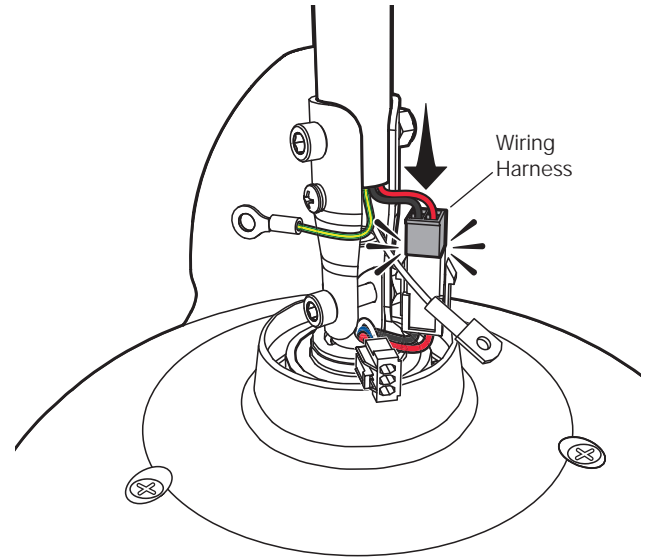


Fig. 3.2



4 Install Lower Safety Cable and Ground Wire

Install the safety cable and ground wire lugs with the unpainted screws and lock washers. Make sure the safety cable lug is oriented upward as shown (Fig. 4.1).

Make sure all hardware is secure, and then gently tug the cables at the top of the extension tube to reduce slack. Orient the remaining loose wiring receptacle from the motor hub upward as shown (Fig. 4.2).

Fig. 4.1

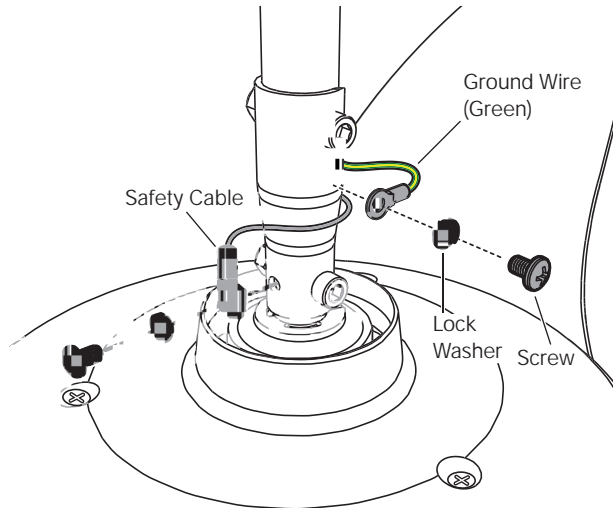
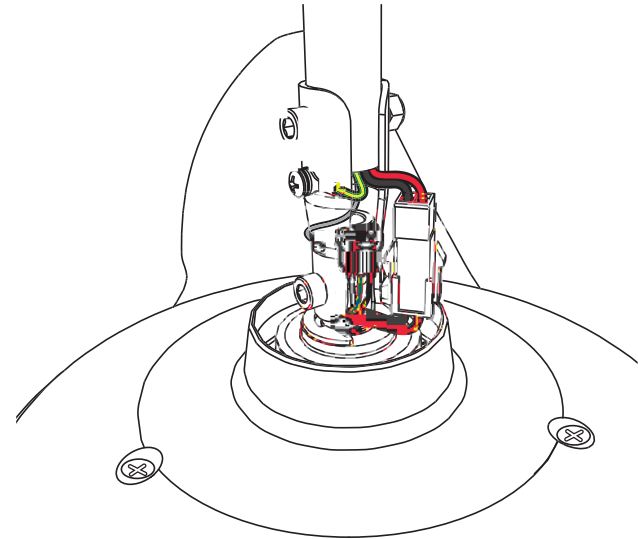


Fig. 4.2



5 Install Light

⚠ WARNING: Skin or eye damage may result from directly viewing ultraviolet light produced by the lamp in this apparatus. Always disconnect power before relamping or servicing. Replace ultraviolet LEDs with Model No. 1050-39-30, manufactured by Big Ass Fans.

Slide the light down the extension tube, resting it on the fan hub. Orient the light so that the tab at the top of the light rests in the groove at the top of the motor bracket (Fig. 5.1). Be careful not to scratch the extension tube while positioning the light. Connect the wiring harness on the light to the receptacle from the motor hub. Tighten the set screw at the top of the light (Fig. 5.2).

Fig. 5.1

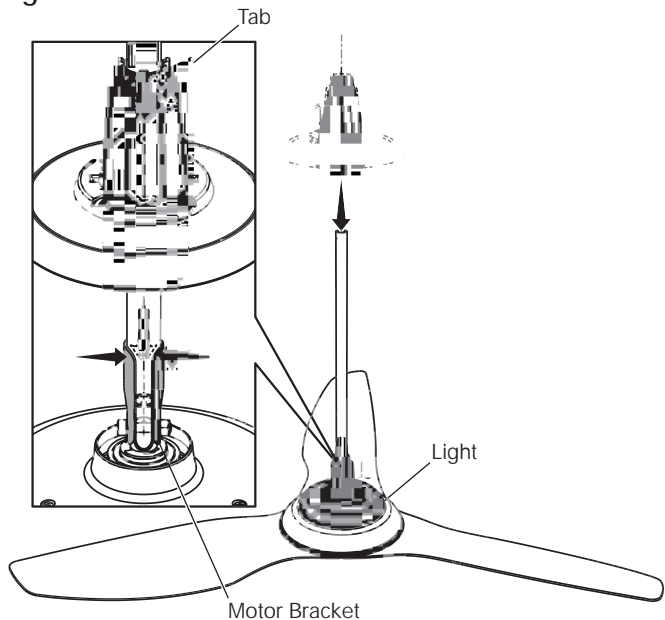
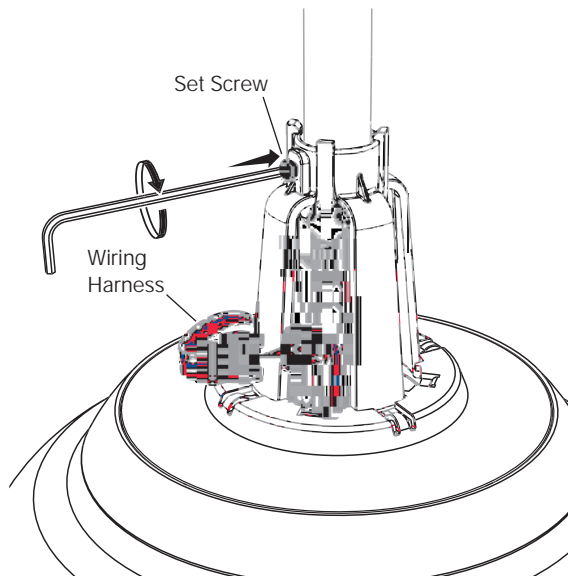


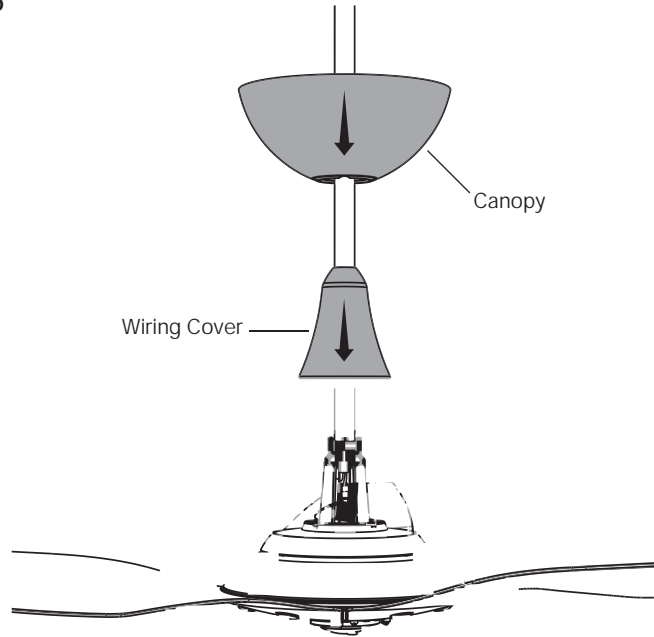
Fig. 5.2



6 Position Wiring Cover and Canopy

Slide the wiring cover down the extension tube, resting it on the light. Make sure no wires are visible between the wiring cover and light. Slide the canopy down the extension tube, resting it on the wiring cover (Fig. 6).

Fig. 6



7 Install Mounting Ball

Slide the mounting ball over the extension tube (Fig. 7.1).

Insert the 6 mm steel pin into the hole at the top of the extension tube, and then slide the mounting ball upward, seating the steel pin in the inner slots (Fig. 7.2).

Insert the wedge into the mounting ball and secure it with the screw. Tighten the screw enough to prevent movement between the mounting ball and extension tube, but do not over-tighten (Fig. 7.3).

Fig. 7.1

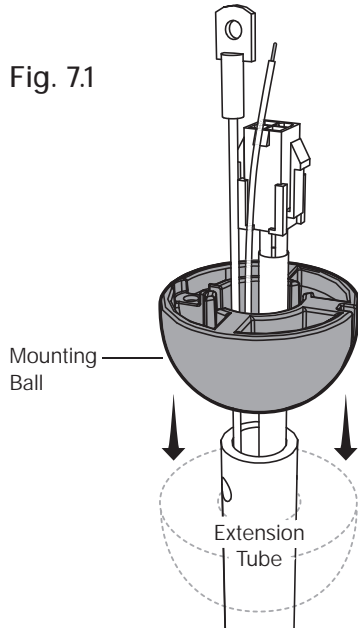


Fig. 7.2

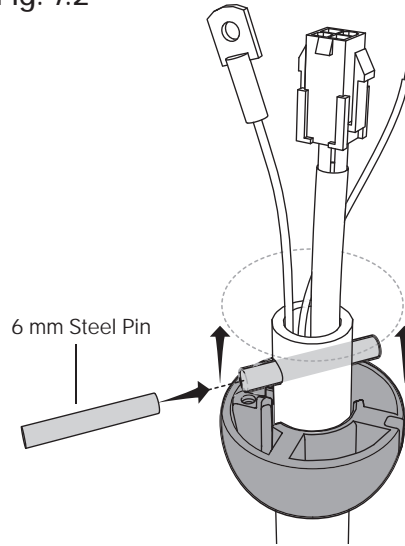
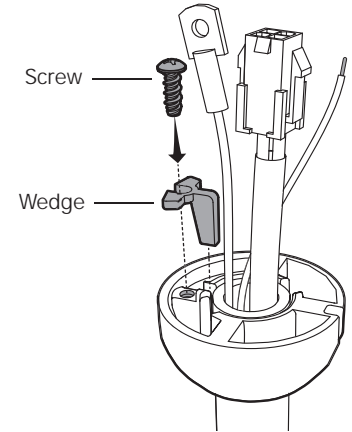


Fig. 7.3



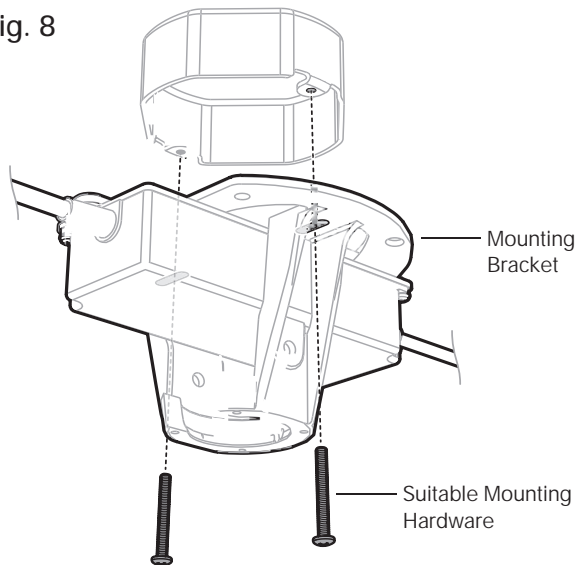
8 Install Mounting Bracket

⚠️ Disconnect power to the fan location before installing the mounting bracket!

Secure the mounting bracket to the mounting structure with suitable hardware (Fig. 8).

Outlet box shown. Your mounting structure may differ from the illustration.

Fig. 8

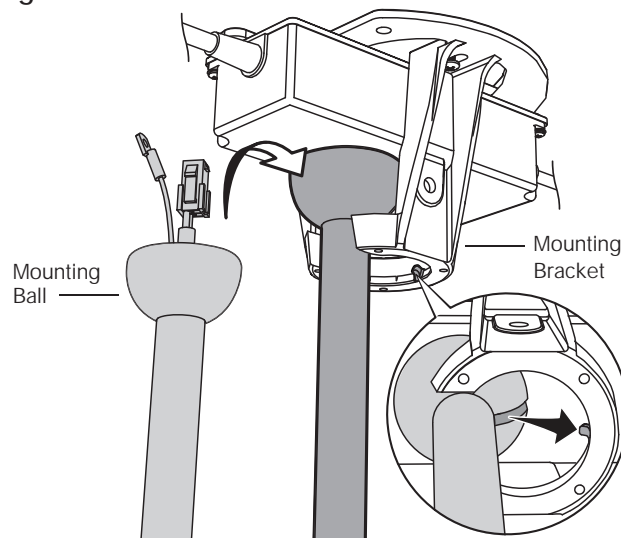


9 Hang Fan

Raise the fan to the mounting bracket. Align the rib in the mounting bracket with the slot in the mounting ball, position the mounting ball, and let the fan hang freely (Fig. 9).

Gently twist the extension tube to ensure it is properly seated and will not move during fan operation.

Fig. 9

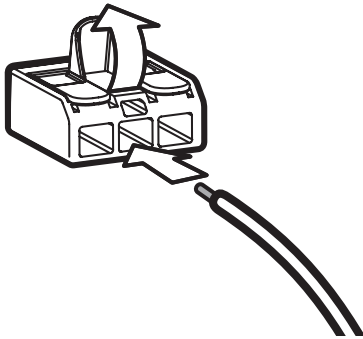


10 Wire the Fan

- ⚠️ Disconnect power to the fan location before wiring the fan!
- ⚠️ Do not connect the fan to a damaged power source! Do not attempt to resolve electrical failures on your own. Consult a qualified electrician if uncertain of the electrical installation of this fan.

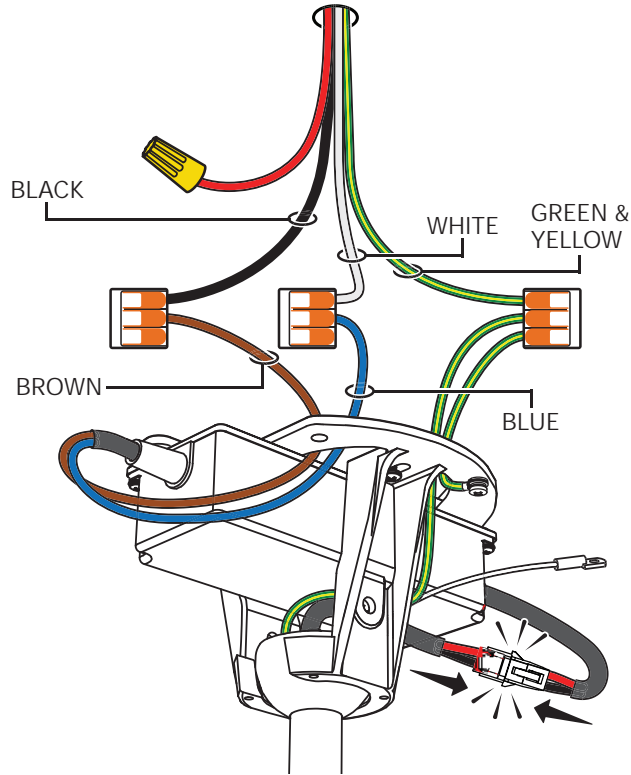
Wire the fan as shown in the diagram using the wire connectors (Fig. 10). If your fan packaging included an EMI filter, install it as shown. Attach the green ground wire to the mount with the unpainted screw. Connect the wiring harness from the power supply to the wiring harness from the extension tube, making sure that the wiring and safety cable are routed in the same direction.

Fig. 10

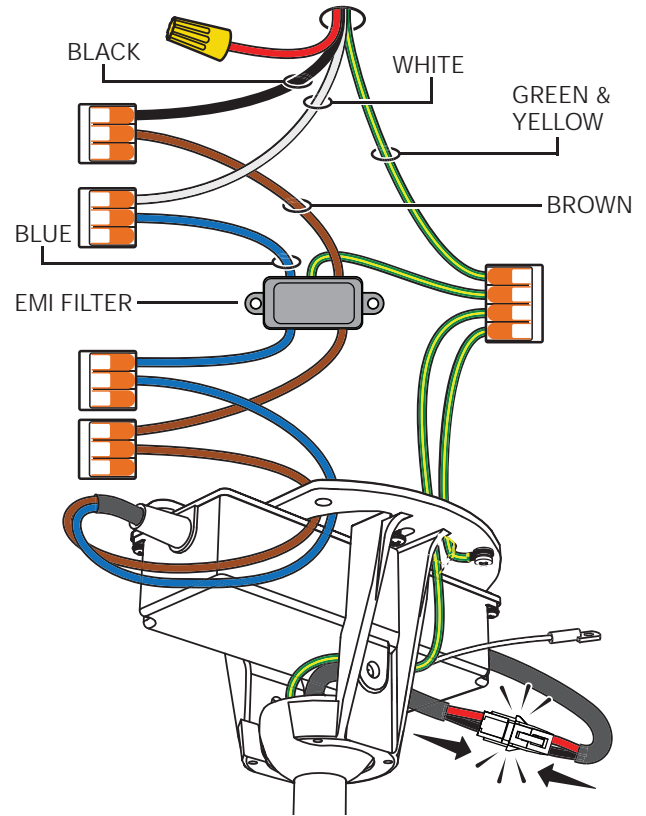


	North America 100–120 V	All other regions
AC Hot/L1 Brown	Black	Brown
AC Neutral/L2 Blue	White	Blue
PE/Earth Ground Green with Yellow	Green or Bare Copper	Green with Yellow

Wiring Diagram
(No EMI Filter)



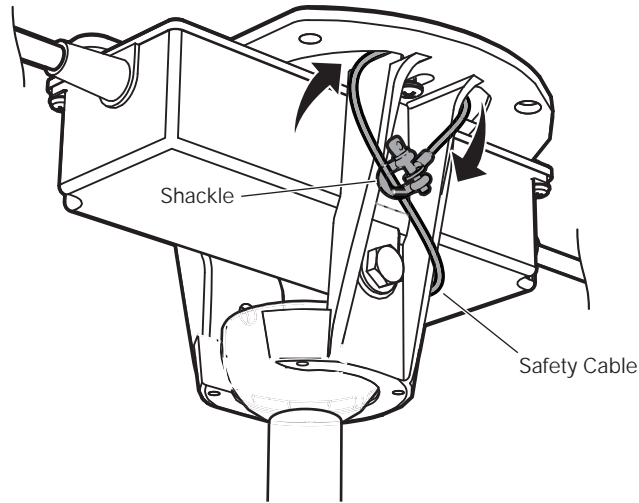
Wiring Diagram
(With EMI Filter)



11 Secure Safety Cable

Loop the safety cable around the mounting bracket or building structure, and then secure it with the shackle (Fig. 11).

Fig. 11

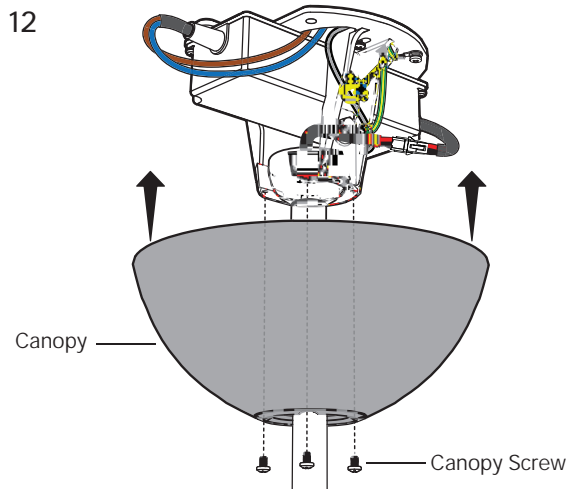


Canada: The safety cable must be secured directly to an existing part of the building structure. It may be necessary to install additional structural material to provide attachment points.

12 Raise Canopy

Raise the canopy to the mounting bracket, aligning the four holes on the canopy with the holes on the bracket. Secure the canopy to the mounting bracket with the painted screws (Fig. 12). Make sure all wires and the safety cable are tucked in the canopy.

Fig. 12



Congratulations!

Installation is now complete. Test your fan using the remote control.

TROUBLESHOOTING

★ Your fan may occasionally jerk forward and backward upon startup. This is normal and does not affect fan operation.

Try these troubleshooting steps before contacting Customer Service. For additional operation, maintenance, and troubleshooting information, visit bigassfans.com/support

Issue	Solution
The fan will not start.	<ul style="list-style-type: none">• Make sure the fan is receiving power.• Check your circuit breaker or fuse panel and wall switch for functionality.• Make sure the fan is properly wired and grounded.• Make sure the plastic film in the remote's battery tray has been removed.
The fan wobbles.	Remove the airfoils and make sure the colored dot sticker on each airfoil matches the corresponding sticker on the motor hub. If the stickers do not match, move the airfoils to the matching attachment points.
The fan is noisy during operation.	Bring the fan to a complete stop. <ul style="list-style-type: none">• Gently turn the airfoils by hand, making sure there are no fan parts rubbing on the motor hub when the fan rotates.• Check all mounting and fan hardware. If loose, tighten.
I need to reboot the fan.	Press and hold the On/O button until the LED indicators start blinking. Within three seconds of the LEDs flashing, press the On/O button again. When the LEDs stop blinking, the reboot is complete.



MAINTENANCE AND CLEANING

Please take a few moments each year to perform the following preventative maintenance procedures on your fan to ensure its safe and efficient operation.

Checking the Safety Cable, Hardware, and Wiring

Check that the safety cable is properly installed by removing the canopy screws, sliding the canopy down the extension tube, and examining the safety cable and hardware.

Make sure the mounting hardware and the fasteners securing the airfoils to the fan hub are securely fastened.

Make sure the wire connectors are secure and the ground wire is securely connected.

Cleaning the Airfoils

Dust the airfoils regularly. If the fan becomes dirty, clean it with a damp cloth and ordinary soap and water. Do not use solvents, gasoline, or any other chemical cleaners! These may cause surface distortion and damage to the fan.

Polished Airfoils

Apply a cleaning product appropriate for stainless steel surfaces, such as Pledge® Multi Surface Cleaner, and wipe with a microfiber cloth. Please wear the provided gloves when you are handling the airfoils to avoid smudges and fingerprints.

Cleaning the Light

Lights with lens: Clean the light's lens periodically to ensure optimal performance. Wipe the lens with a clean, damp cloth and allow to dry thoroughly. If necessary, use a mild soap or a gentle liquid cleaner. Do not clean the light or lens with scouring pads, alkaline cleaning substances, gasoline, thinner, benzene, heating oil, or polishing powder.

Lights without lens: Clean the LEDs periodically to ensure optimal performance. Use a compressed air duster to remove dust and debris from the LEDs. Do not touch the LEDs while cleaning. Hold the duster can upright when using.