



# Dishwasher

Use & Care Guide

# Lavavajillas

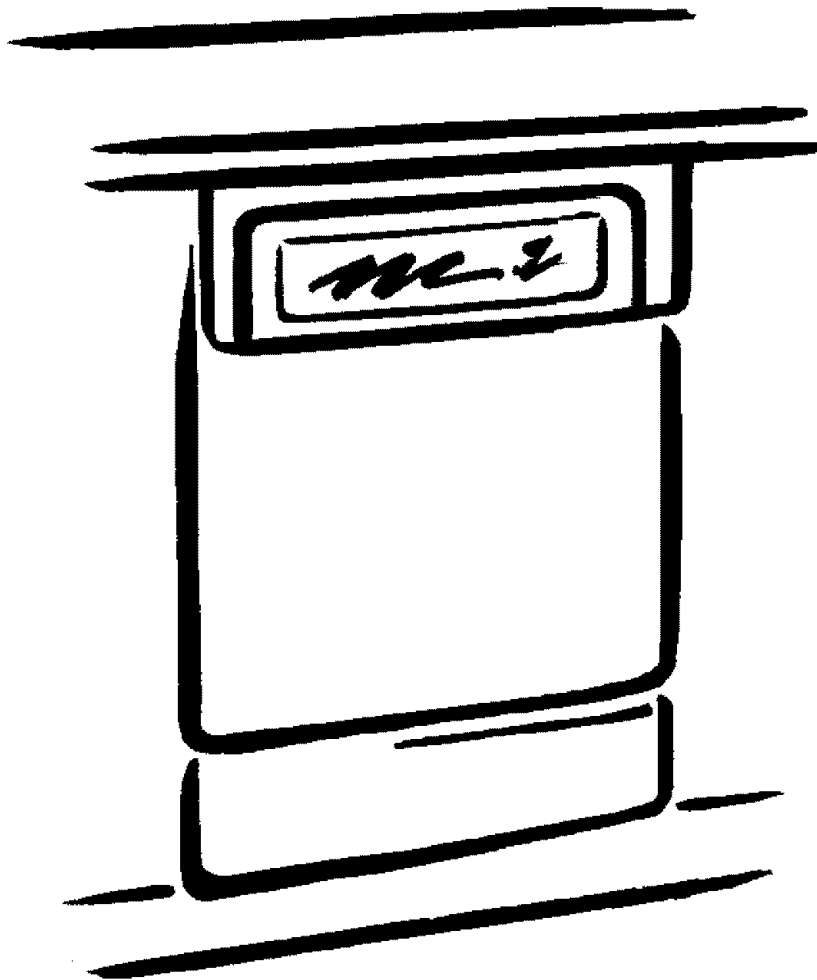
Manual de uso y cuidado

# Lave-vaisselle

Guide de l'utilisation et d'entretien

Model/Modelo/Modèle 587.1440\*, 587.1441\*

\*=color number, número de color, numéro de couleur



ENGLISH

ESPAÑOL

FRANÇAIS

# Table of Contents

U.S. Warranty.....	2
Safety Instructions.....	3
Dishwasher Features.....	4
Operating Instructions.....	5
Preparing and Loading Dishes.....	6-7
Dishwasher Dispenser and Detergents.....	8-9
Factors Affecting Performance.....	9
Care and Cleaning.....	10-11
Installing Wood Panels.....	11
Connecting Portable Dishwasher.....	12
Common Dishwasher Problems and Solutions..	13-14
Troubleshooting.....	14
Service.....	Back Cover

# Master Protection Agreements

*Congratulations on making a smart purchase.* Your new Kenmore® product is designed and manufactured for years of dependable operation. But like all products, it may require preventive maintenance or repair from time to time. That's when having a Master Protection Agreement can save you money and aggravation.

The Master Protection Agreement also helps extend the life of your new appliance. Here's what the Agreement\* includes:

- ☑ **Parts and labor** needed to help keep products operating properly **under normal use**, not just defects. Our coverages goes **well beyond the product warranty**. No deductibles, no functional failure excluded from coverage - **real protection**.
- ☑ **Expert service** by a force of more than **10,000 authorized Sears service technicians**, which means someone you can trust will be working on your product.
- ☑ **Unlimited service and nationwide service**, as often as you want us, whenever you want us.
- ☑ **"No-lemon" guarantee** – replacement of your covered product if Four or more product failures occur within twelve months
- ☑ **Product replacement** if your covered product can't be fixed
- ☑ **Annual Preventive Maintenance Check** at your request - no extra charge
- ☑ **Fast help by phone** – we call it **Rapid Resolution** - phone support from a Sears representative on all products. Think of us as a "talking owner's manual"
- ☑ **Power surge protection** against electrical damage due to power fluctuations
- ☑ **\$250 Food Loss Protection** annually for any food spoilage that is the result of mechanical failure of any covered refrigerator or freezer.
- ☑ **Rental reimbursement** if repair of your covered product takes longer than promised
- ☑ **10% discount** off the regular price of any non-covered repair service and related installed parts.

Once you purchase the Agreement, a simple phone call is all that it takes for you to schedule service. You can call anytime day or night, or schedule a service appointment online.

The Master Protection Agreement is a risk free purchase. If you cancel for any reason during the product warranty period, we will provide a full refund. Or, a prorated refund anytime after the product warranty period expires. Purchase your Master Protection Agreement today!

**Some limitations and exclusions apply. For prices and additional information call 1-800-827-6655.**

**\*Coverage in Canada varies on some items. For full details call Sears Canada at 1-800-361-6665.**

## Sears Installation Service

*For Sears professional installation* of home appliances, garage door openers, water heaters, and major home items, in the U.S.A. call **1-800-4-MY-HOME®**.

ENGLISH

# Kenmore Appliance Warranty

## One Year Limited Warranty

When installed, operated and maintained according to all instructions supplied with the product, if this appliance fails due to a defect in material or workmanship within one year from the date of purchase, call 1-800-4-MY-HOME® to arrange for free repair. If this appliance is used for other than private family purposes, this warranty applies for only 90 days from the date of purchase.

### **This warranty covers only defects in material and workmanship. Sears will NOT pay for:**

1. Expendable items that can wear out from normal use, including but not limited to filters, belts, light bulbs, and bags.
2. A service technician to instruct the user in correct product installation, operation or maintenance.
3. A service technician to clean or maintain this product.
4. Damage to or failure of this product if it is not installed, operated or maintained according to all instructions supplied with the product.
5. Damage to or failure of this product resulting from accident, abuse, misuse or use for other than its intended purpose.
6. Damage to or failure of this product caused by the use of detergents, cleaners, chemicals or utensils other than those recommended in all instructions supplied with the product.
7. Damage to or failure of parts or systems resulting from unauthorized modifications made to this product.

### **Disclaimer of implied warranties; limitations of remedies**

Customer's sole and exclusive remedy under this limited warranty shall be product repair as provided herein. Implied warranties, including warranties of merchantability or fitness for a particular purpose, are limited to one year or the shortest period allowed by law. Sears shall not be liable for incidental or consequential damages. Some states and provinces do not allow the exclusion or limitation of incidental or consequential damages, or limitations on the duration of implied warranties of merchantability or fitness, so these exclusions or limitations may not apply to you.

This warranty applies only while this appliance is used in the United States and Canada.

This warranty gives you specific legal rights, and you may also have other rights which vary from state to state.

**Sears, Roebuck and Co.,  
Dept. 817WA, Hoffman Estates, IL 60179  
Sears Canada Inc.  
Toronto, Ontario, Canada M5B 2B8**

In the space below, record your complete model number, serial number and purchase date. You can find this information on the model and serial number label, located as shown in the Dishwasher Features section of this book. Have this information available to help you quickly obtain assistance or service when you contact Sears concerning your appliance.

Model Number: 587. \_\_\_\_\_

Serial Number: \_\_\_\_\_

Purchase Date: \_\_\_\_\_

**Save these instructions and your sales receipt for future reference.**

ENGLISH



# Important Safety Instructions

## **⚠ WARNING**

This symbol will help alert you to such dangers as personal injury, burns, fire and electrical shock.

## **⚠ WARNING**

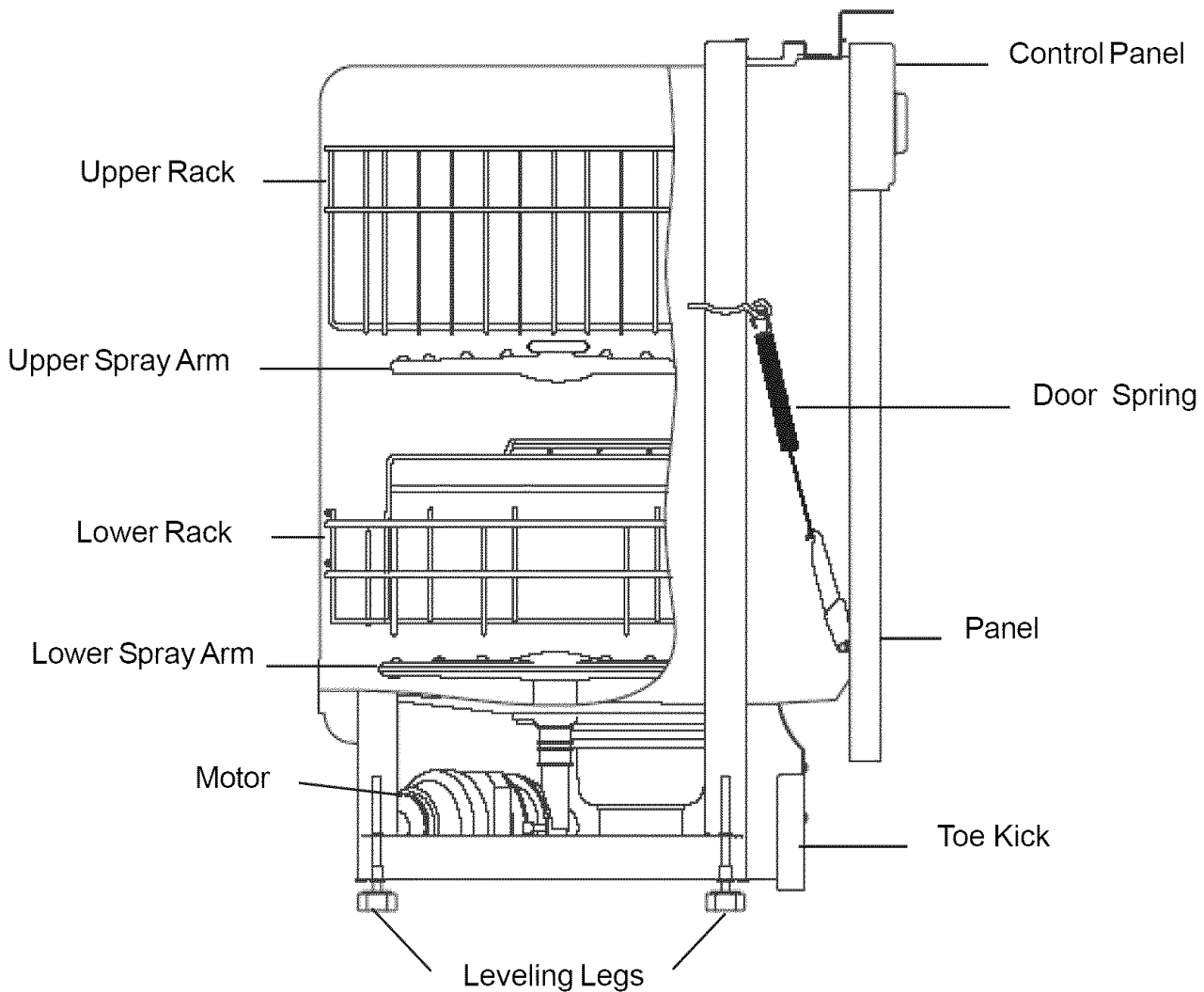
To reduce the risk of fire, electrical shock, or injury when using your dishwasher, follow basic precautions including the following:

- Read all instructions before using your dishwasher.
- Use your dishwasher only as instructed in this Use & Care Guide.
- This Guide does not cover every possible condition and situation that may occur. Use common sense and caution when installing, operating and maintaining any appliance.
- **DISHWASHER MUST BE ELECTRICALLY GROUNDED.** Read the Installation Instructions for details.
- This dishwasher is designed to operate on regular house current (120 V, 60 Hz). Use a circuit equipped with a 15 ampere fuse or circuit breaker. Use a 20 ampere fuse if dishwasher is connected with a food waste disposer.
- Do not operate dishwasher unless all enclosure panels are in their proper place.
- Remove the door to the washing compartment when removing an old dishwasher from service or discarding it.
- Keep young children and infants away from dishwasher when it is operating.
- Do not let children abuse, sit, stand or play on door or racks of a dishwasher.
- Use only detergents and rinse agents recommended for use in a dishwasher.
- Store dishwasher detergent and rinse agents out of the reach of children.
- Do not wash plastic items unless marked “dishwasher safe” or the equivalent. Check with manufacturer for recommendations, if not marked. Items that are not dishwasher safe may melt and create a potential fire hazard.
- If the dishwasher drains into a food disposer, make sure disposer is completely empty before running dishwasher.
- Disconnect electrical power to dishwasher before servicing.
- Repairs should be done by a qualified technician.
- Do not tamper with controls.
- Do not touch the heating element during or immediately after use.
- When loading items to be washed:
  - Locate sharp items and knives so that they are not likely to damage the door seal or tub.
  - Load sharp items and knives with the handles up to reduce the risk of cut-type injuries.
- Under certain conditions, hydrogen gas may be produced in a hot water system that has not been used for 2 weeks or more. **HYDROGEN GAS IS EXPLOSIVE.** If hot water system has not been used for such a period, before using dishwasher, turn on all hot water faucets and let water flow from each for several minutes. This will release any accumulated hydrogen gas. **HYDROGEN GAS IS FLAMMABLE.** Do not smoke or use an open flame during this time.
- Do not store or use combustible materials, gasoline or other flammable vapors and liquids in the vicinity of this or any other appliance.

**SAVE THESE  
INSTRUCTIONS**

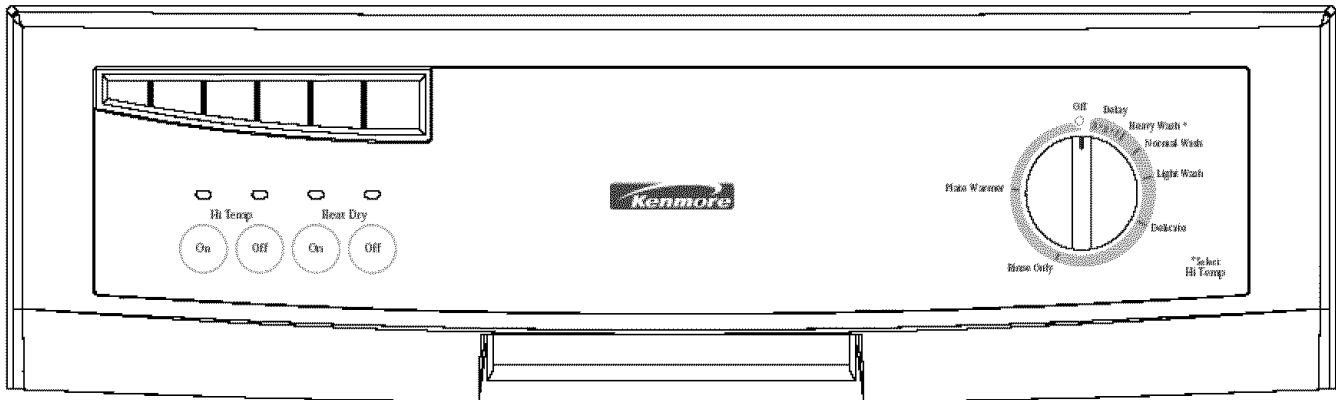
# Dishwasher Features

Your dishwasher, illustrated below, cleans by spraying a mixture of hot, clean water, and detergent against the soiled surfaces of your dishes and tableware. Each cycle starts with a pre-drain. Next, the dishwasher fills with water to a level even with the heating element. This water is constantly pumped through the rotating spray arm and sprayed onto the dishes. Soiled water is pumped out and replaced with clean water during a cycle. The number of water fills depends upon the cycle being used.



# Operating Instructions

## Control Panel



ENGLISH

## Getting Started

1. Check Filter (See Cleaning Filter)
2. Load dishwasher (See Preparing and Loading Dishes).
3. Add detergent (See Dishwasher Dispenser & Detergents).
4. Add rinse aid, if needed (See Rinse Aid).
5. Select wash cycle (See Cycle Chart).
6. Select desired OPTIONS
7. See page 11 for instructions on connecting the portable dishwasher.
8. Run hot water faucet nearest dishwasher until water is hot. Turn water off.
9. To start, close door to latch.

Cycle Chart					
Cycles	Description	To Select Cycle	Water (approx.)	Time* (approx.)	Washes/Rinses
<b>Heavy Wash</b>	For heavily soiled dishes and silverware.	<ul style="list-style-type: none"> <li>• Turn dial to HEAVY WASH.</li> <li>• Select desired OPTIONS.</li> </ul>	7.0 gal. 5.8 imp.gal. 36.4 liters	143 min.*	2 washes 5 rinses
<b>Normal Wash</b>	For regularly soiled dishes and silverware.	<ul style="list-style-type: none"> <li>• Turn dial to NORMAL WASH.</li> <li>• Select desired OPTIONS.</li> </ul>	5.2 gal. 4.4 imp.gal. 19.8 liters	128 min.*	2 washes 4 rinses
<b>Light Wash</b>	For lightly soiled or pre-rinsed dishes and silverware.	<ul style="list-style-type: none"> <li>• Turn dial to LIGHT WASH.</li> <li>• Select desired OPTIONS.</li> </ul>	4.4 gal. 3.6 imp.gal. 16.5 liters	112 min.	2 washes 3 rinses
<b>Rinse/ Hold</b>	For rinsing dishes that will be washed later.	<ul style="list-style-type: none"> <li>• DO NOT USE detergent.</li> <li>• Turn dial to RINSE/HOLD.</li> <li>• Select COOL DRY option.</li> </ul>	0.9 gal. .74 imp.gal. 3.4 liters	20 min.	1 rinses
<b>Delicate</b>	For lightly soiled or pre-rinsed Delicate dishes.	<ul style="list-style-type: none"> <li>• Turn dial to DELICATE.</li> <li>• Select desired OPTIONS.</li> </ul>	3.5 gal. 2.9 imp.gal. 13.2 liters	80 min.*	2 washes 2 rinses
<b>Plate Warmer</b>	For warming dishes and serving plates before serving hot foods.	<ul style="list-style-type: none"> <li>• Load Clean plates and dishes to be warmed.</li> <li>• Turn dial to PLATE WARMER.</li> <li>• Press HOT DRY Option.</li> </ul>			

\* Includes dry time.

# Preparing and Loading Dishes

## Energy Options

### HI-Temp Wash Option

When HI-TEMP WASH ON option is selected, the dishwasher heats the water in the main wash to approximately 140°F (60°C). Wash action will continue but timer will not advance until proper temperature is reached. The hotter water provided by this option helps activate dishwasher detergent to clean food grease and soil from dishes. HI-TEMP WASH ON option can be used with any cycle except RINSE HOLD and is not recommended for use with CHINA.

To turn off option, select HI-TEMP WASH OFF.

### Heat Dry Option

HEAT DRY ON option provides faster drying since the heating element is on during the drying portion of cycle.

The HEAT DRY option in combination with rinse aid will give you excellent drying results. The energy to use HEAT DRY costs pennies per cycle. You may turn off the HEAT DRY option, however you will have items in your dish load that will not be dry at the end of the cycle.

With either option, you may see water vapor coming from vent during the washing and/or drying portion of cycle. On some models, the vent is closed during washing to hold moisture and sound inside and then opens for drying.

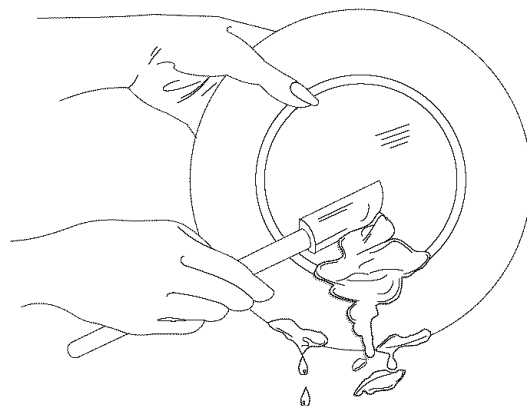
The drying option may be changed at any time during the cycle and affects only the drying period.

## Dish Preparation

It is not necessary to rinse dishes before putting them into the dishwasher. Just remove large pieces and quantities of food, bones, pits, etc. Empty glasses and cups. It may be necessary to presoak or lightly scour firmly cooked-on or baked-on foods.

Foods such as mustard, mayonnaise, vinegar, lemon juice and tomato-based products may cause discoloration of stainless steel and plastics if allowed to sit for a long period of time. Unless the dishwasher is to be operated at once, it is best to rinse off these food soils.

- Load dishes facing the center of the rack so that the water spray from the rotating spray arm can reach soiled surfaces.
- Be sure large items do not block the detergent dispenser, preventing it from opening during the wash cycle.
- To be sure an item is dishwasher safe, read the manufacturer's care instructions.
- If the dishwasher drains into a food disposer, **be sure disposer is completely empty before dishwasher is started.**
- To save energy, wash full loads.
- For best washing results, load correctly and avoid overloading.



# Preparing and Loading Dishes continued

## Loading the Top Rack

**Glasses and cups**—Place glasses and cups against outside pins at an angle. Cups with a concave bottom will collect water.

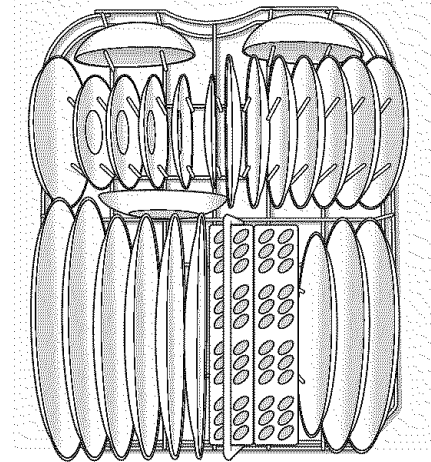
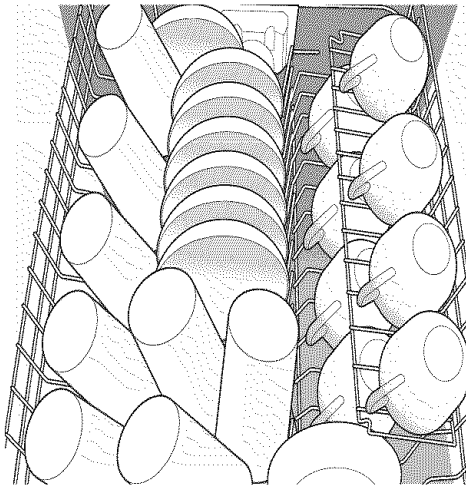
**Small plates and saucers**—Place dishes between middle two rows of pins.

**Plasticware**—Load plasticware in the top rack to avoid melting.

**Bowls**—Place bowls between the middle 2 rows of pins facing down.

**Miscellaneous items**—Place long handled knives and utensils in top rack.

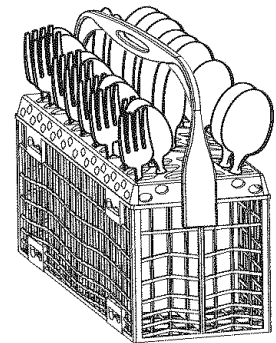
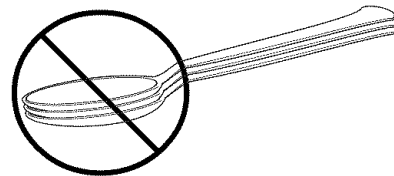
**Cup Shelf**—The cup shelf can be folded down over short items (juice glasses, cups, etc.) for more loading space. When using cup shelf, alternate items with layer below so that water can reach all inside surfaces.



## Loading the Silverware Basket

Load sharp items with handles up. Be sure items do not protrude through the holes in the basket and stop the rotation of the spray arm.

Load silverware so items are mixed in each section to prevent nesting. Water spray cannot effectively reach nested items.



## Loading the Bottom Rack

**Large plates and platters**—Place between the support pins with soiled sides facing inward.

**Bowls, casseroles and sauce pans**—Load upside down or at an angle facing inward. Slightly tilting items will provide better drainage.

**Pots and pans**—Place upside down and at an angle. Do not allow handles to protrude through bottom of rack, blocking wash arm rotation. Load large items at the sides and not across the front so they do not block the detergent dispenser preventing it from opening.

## Adding a Dish

1. Make sure there is a full wash cycle yet to be completed so that any added items are thoroughly washed and rinsed.
2. Unlatch door and wait for water action to stop.
3. Open door and add dish.
4. Firmly close door to latch and resume cycle.

# Dishwasher Dispenser & Detergents

## Filling the Detergent Dispenser

The detergent dispenser has one covered and one uncovered cup. Detergent in the uncovered cup falls into the dishwasher when the door is closed. The covered cup opens automatically to release detergent.

## How much Detergent to use

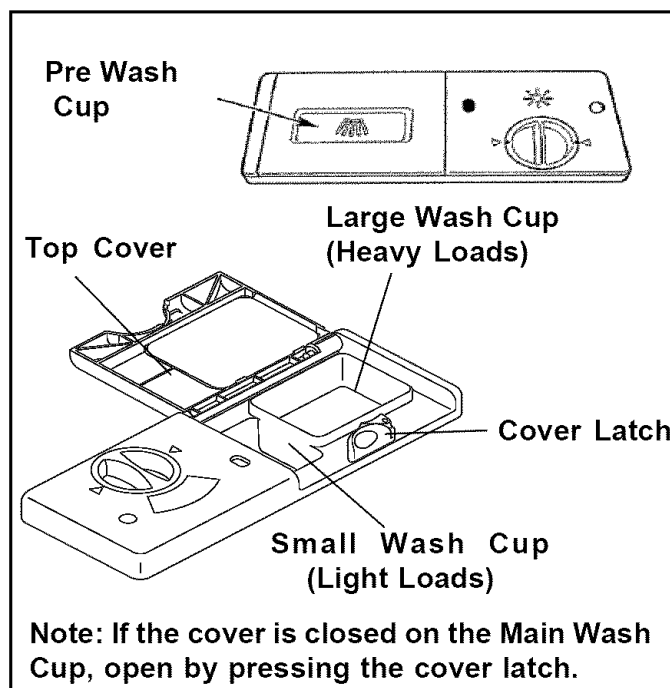
The amount of detergent to use depends on the water hardness. Water hardness is measured in grains per gallon. Using too little detergent can result in poor cleaning and hard water filming or spotting. Using too much detergent in soft water can cause a permanent film called etching. Your local water company, water softener company or county extension agent can tell you the water hardness in your area.

- Use only fresh automatic dishwashing detergent. Other detergents will cause oversudsing.
- Add detergent just before starting cycle.
- Store detergent in a cool, dry location. Moist or caked detergent will not dissolve properly.
- Do not fill both washcups, unless you have very hard water, see chart below\*.

ENGLISH

**⚠ CAUTION**

The use of industrial grade detergent can damage the heating coil and other parts of the dishwasher leading to damage to the unit and surrounding property. Use only household grade automatic dishwasher detergents.



<b>Detergent Usage Guide</b>				
Cycle	Soft Water (0-3 grains)	Medium Hard Water (4-8 grains)	Hard Water (9-12 grains)	Very Hard Water* (over 12 grains)
Heavy Wash Normal Wash	1.5 teaspoons (each cup— 1/4 full)	4 teaspoons (each cup—fill to line above "Regular")	6 teaspoons (each cup— completely full)	Each Cup— <b>Completely Full</b> (water softener recommended)
Light Wash	1.5 teaspoons (Main Wash cup— 1/4 full)	4 teaspoons (Main Wash cup—fill to line above "Regular")	6 teaspoons (Main Wash cup— completely full)	Main Wash Cup— <b>Completely Full</b> (water softener recommended)
Rinse/Hold	No Detergent	No Detergent	No Detergent	No Detergent (water softener recommended)

\*Note: For very hard water, detergent alone may not be enough. A water softener is recommended to improve water quality and dishwashing performance. Try adding more detergent at the beginning of the main wash portion of the cycle. As a rule, use 1 teaspoon for each grain above 12. Unlatch the door, open slowly and add detergent to the bottom of the tub. Close the door to latch and the dishwasher will continue through the cycle.

# Dishwasher Dispenser & Detergents (continued)

## Rinse Aid

Rinse aid greatly improves drying and reduces water spots and filming. Water “sheets” off dishes rather than forming water droplets that cling and leave spots.

A dispenser, located next to the detergent cup, automatically releases a measured amount of rinse aid during the last rinse. If spotting and poor drying are problems, increase the amount of rinse aid dispensed by rotating the dial to a higher number. The dial is located under the dispenser cap. The indicator will be dark when full and will show clear when it is time to refill.

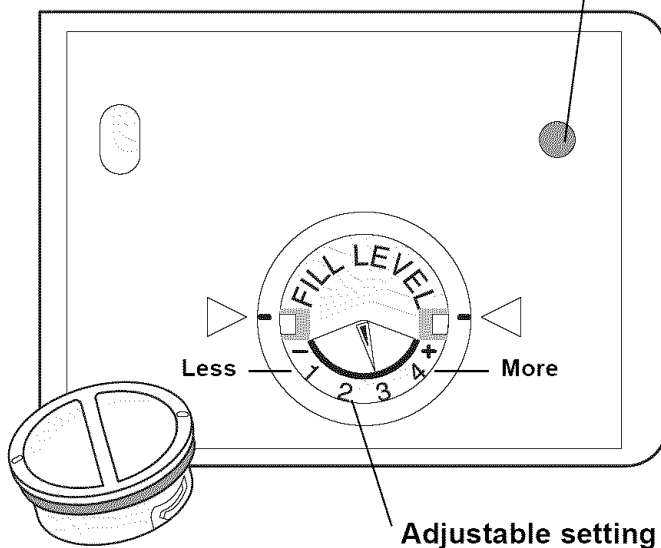
To add liquid rinse aid, turn dispenser cap 1/4 turn counterclockwise and lift out. Pour in rinse aid until liquid touches the indicated fill level. Replace cap.

Do not overfill since this can cause oversudsing. Wipe up any spills with a damp cloth.

The dispenser holds enough for 35 to 140 washes, depending on setting.

### Dispenser Opening

Indicator



Dispenser Cap

# Factors Affecting Performance

## Water Temperature

Hot water is needed for best dishwashing and drying results. Water entering dishwasher should be 120°F to give satisfactory results. Improved performance may be obtained by raising water temperature to 140°F. Water temperature should not exceed 160°F. Check your water heater for proper temperature.

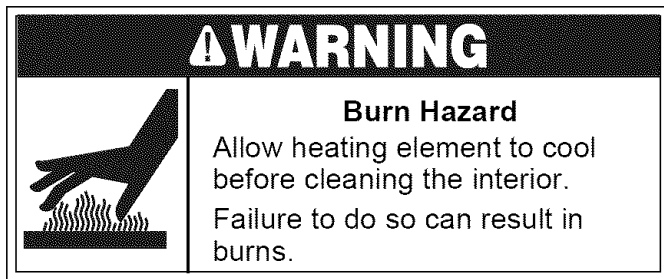
To check water temperature entering dishwasher, turn on hot water faucet nearest dishwasher for several minutes to clear cool water from water pipes. Place a glass under faucet and use a candy or meat thermometer to check temperature of the water collected.

If temperature is below 120°F (49°C), have a qualified person raise the hot water heater thermostat setting.

Do not operate the dishwasher during or just after other heavy use of hot water, such as laundry or bathing.

**Important: Before starting a cycle, run hot water through faucet to clear cool water from pipe.**

# Care and Cleaning



**Outside**—Occasionally wash with a mild nonabrasive detergent and water. Rinse and dry.

**Inside**—The inside of the dishwasher is self-cleaning with normal use.

To clean Stainless Steel wipe with the grains.

Use a Dishwasher Safe Detergent to help with the stains or discolorations.

**Never** use products that contain Chlorine Bleach or Citric Acid

**Important: The dishwasher motor is permanently lubricated at the factory and does not need to be oiled.**

## Care of Drain Air Gap

If a drain air gap was installed for your built-in dishwasher, check to make sure it is clean so the dishwasher will drain properly. Drain air gaps are usually mounted on countertop and can be inspected by removing the cover. A drain air gap is not part of your dishwasher and is not covered by this warranty.

## Winterizing

A dishwasher left in an unheated place should be protected from freezing. Have a qualified person do the following:

### To Disconnect Service:

1. Turn off electrical power to the dishwasher at the supply source by removing fuses or tripping circuit breaker.
2. Shut off water supply.
3. Place a pan under the inlet valve. Disconnect water line from inlet valve and drain into pan.
4. Disconnect drain line from pump and drain water into pan.

**Note:** See Installation Instructions for more details.

### To Restore Service:

1. Reconnect the water, drain, and electrical power supply.
2. Turn on water and electrical power supply.
3. Fill both detergent cups and run dishwasher through a NORMAL WASH Cycle.
4. Check connections to make sure they do not leak.

**Note:** See Installation Instructions for more details.

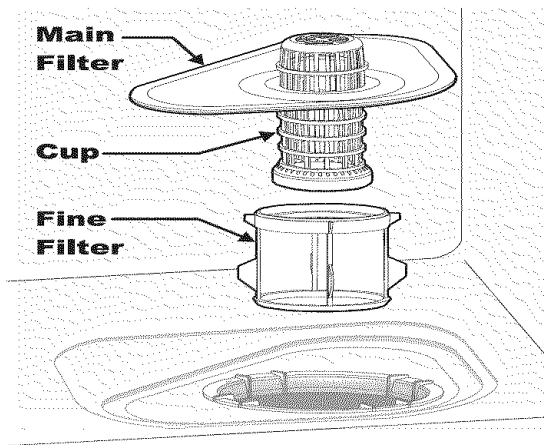
# Care and Cleaning continued

## ⚠ CAUTION

### Property Damage Hazard

Freezing temperatures may cause water lines to rupture. Be sure all supply lines to and circulating lines within dishwasher are protected.

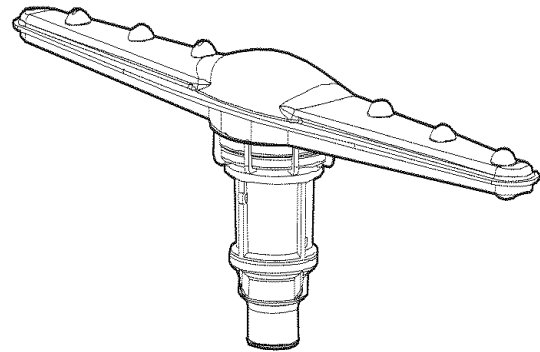
Failure to do so could result in property damage.



## Cleaning the Filter

For optimum performance, your dishwasher is equipped with a filter assembly featuring a main filter, cup and fine filter as shown in the drawing above. All food fragments are removed from the dishwasher as water passes through the filter assembly.

Each part of the assembly should be cleaned often to ensure that all food fragments are removed from the dishes. To remove food fragments from the filter assembly, the filters must be removed from the dishwasher. To remove the filters, pull up on the edge of the main filter. Next, rinse the main filter and fine filter under running water. Cleaning with a brush may also be necessary to remove any fragments trapped in the filters. Once cleaning has been completed, simply reassemble the filter as shown in the drawing above. To ensure that the filter is fully seated, please press down on the top of the main filter. **Using the dishwasher without a properly installed filter is not recommended as it will reduce the cleaning efficiency and may damage dishware.**



## Cleaning the Spray Arm

The spray arm may need to be cleaned to insure that there are no clogs to the spray arm jets and bearings due to hard water chemicals.

To remove spray arm simply hold the spray arm in place and turn the retaining nut clockwise and pull up on the spray arm lifting off the shaft.

To clean the spray arm use warm soapy water using a soft brush to clean the jets and bearings.

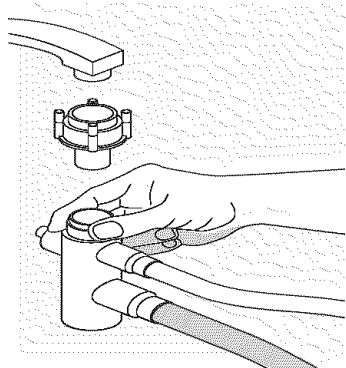
To replace the spray arm simply set the spray arm on the shaft, take the retaining nut and turn it counter clockwise till it has locked into place.

ENGLISH

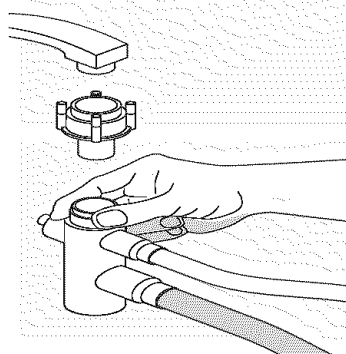
# Connecting and Disconnecting the Portable Dishwasher

The portable dishwasher must be connected to a faucet and electrical outlet each time it is used. Follow directions on this page to properly connect dishwasher.

## Faucet Adapter Assembly (Figure A)



## Connecting the Portable Faucet Adapter Assembly (Figure B)



**IMPORTANT: Make sure door is latched before moving dishwasher.**

The power cord, faucet coupler and hoses are located in a compartment in back of dishwasher. A special adapter must be installed on faucet before you can connect dishwasher (Figure A).

1. Remove faucet adapter assembly from literature package.
2. Unscrew existing sink faucet aerator.
3. Check faucet spout to see if threads are inside or outside.
  - If threads are on *inside* of faucet spout, use both thick and thin rubber washers.
  - If threads are on *outside* of faucet spout, use thin rubber washer only.
  - If faucet has no threads, an adapter kit with instructions for attachment to a non-threaded spout is available at most hardware stores.
4. Assemble faucet spout as shown in Figure A. Make sure the two brass screens are located below the rubber washers.

## Connecting the Portable Dishwasher

1. Run water at faucet until it is hot. Turn off faucet.
2. Pull hoses out of compartment.
3. Push collar down and slip faucet connector onto faucet adapter (Figure B).
4. When connector snaps into place, release collar.
5. Slowly turn on hot water all the way.
6. Plug power cord into grounded outlet.

## Disconnecting the Portable Dishwasher

1. When cycle has finished, turn off hot water.
2. Press red button on coupler to release water pressure.
3. Press down on collar to release coupler.
4. Empty remaining water from coupler and return it to compartment.
5. Unplug power cord and return it to compartment.

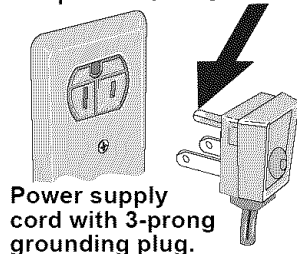
**IMPORTANT: A sink spray hose can burst due to constant water pressure while in use. If your spray hose is installed on same water line as the dishwasher, it is your responsibility to disconnect sink's spray hose and to plug hole.**

## Electrical Connection for a Portable Dishwasher

An electrical supply of 120 volts, 60 Hz, AC only, 15 amps is required. For your safety, the dishwasher must be grounded. If there is a malfunction or breakdown, grounding will reduce risk of electrical shock. This dishwasher has a power cord with a 3-prong grounding plug. It must be plugged into a mating 3-prong grounding type receptacle, installed and grounded in accordance with the National Electrical Code and any local codes and ordinances.

<b>⚠ WARNING</b>	
	<b>Electric Shock Hazard</b> Avoid fire hazard or electrical shock. Do not use an adapter plug, extension cord or remove grounding prong from electrical power cord. Failure to follow this warning can cause serious injury, fire or death.

Do not under any circumstances cut, remove or bypass the grounding prong from this plug.



Grounding type wall receptacle

Power supply cord with 3-prong grounding plug.

# Common Dishwashing Problems and Solutions

**Dishes not clean**—Check pages 5 to 9 for information on correct wash cycle, proper loading, water temperature, water pressure, hard water, amount of detergent, old and ineffective detergent, and dish placement. To maximize wash performance clean the filter of all large food particles after each wash. To ensure that you clean the filter correctly refer to page 12.

**Dishes not drying** can be greatly improved by using a rinse aid and very hot water. Hot water raises temperature of dishes to speed up drying. When loading, invert cups and bowls so that water can run off. Avoid nesting of articles. If dishes are not completely dry at end of cycle (which may occur when NO HEAT DRY setting is used), open door, roll out racks, and allow dishes to air dry.

**Spotting**—Spots form when hard water droplets evaporate leaving a deposit. Low phosphate detergents increase the problem in hard water. To prevent, use hot water and a detergent with a higher level of phosphates (preferably 8.7% or higher), or use more of a low phosphate detergent. Be sure to use a rinse aid. If water is very hard, it may be necessary to install a water softener. Load glasses and plates so they have minimum contact with racks and pins. Avoid overloading. Spotting will occur where dishes and glasses touch.

**Cloudy films and streaking** are usually caused by a combination of hard water and an insufficient amount of detergent. Low phosphate detergents are also a factor. To correct, increase amount of detergent, check water temperature and always use a rinse aid. If water is very hard, it may be necessary to install a water softener.

**Etched film on glassware** is caused by using too much detergent in soft or softened water. This film cannot be removed. It is more likely to occur on soft leaded glass or expensive crystal. An early warning of this condition is a cloudy iridescent appearance on glasses. To prevent, be sure dishwasher is getting a full fill of water. Water should reach base of heating element. If water level is low, have water pressure checked by a plumber. Use less detergent and make sure water temperature is not higher than 150°F (66°C). Underload to assure thorough rinsing. Use the NO HEAT DRY option.

**Chipped dishes and glasses** can result

from rough handling and improper loading. Do not put glasses in direct contact with other items. Place glasses securely against pins.

**Crazing of older china and pottery** happens when items are subjected to very hot water. Once crazing (fine cracks in the glaze) appears, it cannot be removed. Do not machine wash again or condition may worsen.

**Coffee and tea stains** can occur when water contains traces of iron. To avoid stains, rinse cups out immediately after use. Increase amount of detergent and use a rinse aid. Water temperature should be approximately 140°F (60°C). If problem persists, install a water softener with an iron removal unit. To remove stains, hand wash cups in solution of 1/2 cup (120 ml) bleach and a quart (1 L) of warm water. Rinse thoroughly.

**Gray-black stains on dishes** are caused by manganese in water supply. To correct, install a manganese filtering system into house water supply.

**Reddish-brown stains on dishes, glasses and interior** are caused by iron in water. To avoid iron stain, increase detergent, use water heated to approximately 140°F (60°C) and a rinse aid. It may be necessary to install a water softener with an iron removal unit. To improve appearance, use a commercial rust and lime scale remover.

**Plastic items** can lose their shape due to high temperatures of automatic dishwashing. Read labels before washing. Place washable items in top rack away from heating element.

**Discoloration of plasticware** by some foods, such as tomato sauce, can stain plasticware. If stained, soak item in solution of 1 tablespoon dishwasher detergent and a quart of hot water or in a solution of 1/2 cup (120 ml) bleach and a quart of hot water.

**Fading of patterns and metallic trim** is due to many washings, detergent and hot water. Most of today's china is dishwasher safe. Antique, handpainted china, and handpainted pottery

# Common Dishwashing Problems and Solutions

continued

should be washed by hand.

**Do not place silver** next to or touching stainless steel utensils in dishwasher silverware basket. This can cause pitting of stainless steel blades. (Most silver knives have stainless steel blades. Do not let blades touch other stainless steel utensils during wash cycle.)

**Tarnish on silver plate** occurs when worn down to the base metal and turns a bronze color when exposed to hot water and detergent. Remove bronzing by soaking item in vinegar for 10 minutes or use a silver polish. For permanent protection, have silver replated.

**Silver tarnish** can be caused by prolonged contact with air or with foods containing sulphur like eggs, mayonnaise, or seafood. Contact with undissolved detergent can also cause tarnish. To prevent this, rinse silver soon after use. Use care not to pour detergent directly onto silver. Remove tarnish with a silver polish.

**Discoloration of stainless steel**—Food soil can create a film or discoloration. To avoid, rinse stainless items promptly. Food soil films can be removed with a stainless steel cleanser or mild cleanser. Rinse thoroughly.

**Pitting of stainless steel** is caused by prolonged contact with detergent granules and foods like salt, mayonnaise, fruits, butter or milk. To prevent, rinse soon after use. Do not allow detergent to fall directly onto stainless steel items.

**Discoloration of aluminum**—Anodized (colored) aluminum cannot withstand machine washing. Resulting loss of color is permanent. Other aluminum may darken when machine washed. To decrease chance of discoloration, do not place aluminum directly beneath detergent dispenser. To brighten darkened items, scour with soap filled steel wool pads. For severely darkened pans, simmer an acidic food or a solution of 2 teaspoons (10 ml) cream of tartar per quart (1 L) of water for 1/2 hour. Scour with soap filled steel wool pad, rinse and dry.

**Knife handles become loose** when the cement is exposed to very hot water. Test wash a single knife for several weeks. Damaged knives should be professionally re-cemented.

# Troubleshooting

Before calling for service, review this list. It may save you both time and expense. This list includes common experiences that are not the result of defective workmanship or material.

## Noise problems?

It is normal to hear swishing and pulsating sounds. These sounds mean that water is circulating through the dishwasher.

It is normal to hear motor sounds before water enters tub.

Loud ticking usually means something is hitting wash arm. See **Preparing and Loading Dishes**.

Vibrating or rattling sounds can mean dishes are touching each other. See **Preparing and Loading Dishes**.

## Operating problems?

Be sure door is firmly closed. It is normal for dishwasher to pause between cycles.

## Leaking?

Check for items sticking out of dishwasher that could prevent door from closing and sealing properly. Use only fresh dishwashing detergent to avoid oversudsing.

Water coming through door vents? When a dish is added after starting dishwasher, wait a few seconds before latching door. This permits entering cold air to expand slowly inside dishwasher.

## Dishes not dry?

Check to see if rinse aid dispenser needs refilling. Hot water temperature may be too low (min. 120°F 49°C). If NO HEAT DRY option is being used, additional drying time may be required with door open.

## Water in tub?

A small amount of water in bottom of tub is normal. It keeps water seal lubricated.

## Detergent left in cup?

Detergent may be too old. Discard old detergent. Use fresh detergent.

Dishes may not be loaded properly. Be sure items do not protrude from front of bottom rack preventing detergent cup from opening.

# Notes

# Tabla de Materias

Garantía.....	16
Instrucciones de Seguridad.....	17
Características del lavavajillas.....	18
Instrucciones de Uso.....	19
Preparación y Carga de la Vajilla.....	20-21
Distribuidor y Detergentes del Lavavajillas...	22
Factores que Afectan el Rendimiento.....	23
Cuidado y Limpieza.....	24-25
Instalación de paneles de madera.....	25
Conexión y desconexión del lavavajillas portátil/convertible.....	26
Soluciones a Problemas Comunes del Lavado de Vajillas.....	27-28
Servicio.....	Contraportada

## Contratos de Protección

*Enhorabuena por haber hecho una compra inteligente.* Su nuevo producto Kenmore® está diseñado y fabricado para brindarle años de funcionamiento fiable. Pero, como cualquier producto, puede necesitar mantenimiento preventivo o reparaciones periódicas. Es por eso que tener un Acuerdo maestro de protección podría ahorrarle dinero y molestias.

El Acuerdo maestro de protección también sirve para prolongar la durabilidad de su nuevo producto. El acuerdo\* incluye lo siguiente:

- ☑ **Piezas y mano de obra** necesarias para contribuir a mantener el funcionamiento adecuado de los productos **utilizados en condiciones normales de uso**, no sólo en caso de defectos de los productos. Nuestra cobertura va **mucho más allá que la garantía del producto**. No se aplican deducibles ni exclusiones por fallas del funcionamiento: es decir, **verdadera protección**.
- ☑ **Servicio técnico por expertos** (más de 10000 técnicos autorizados de Sears), lo cual significa que quien repare o realice el mantenimiento de su producto será un profesional de confianza.
- ☑ **Servicio técnico a escala nacional y número ilimitado de llamadas de solicitud de servicio técnico**: se puede poner en contacto con nosotros cuantas veces lo desee y cuando lo desee.

- ☑ **Garantía “sin sorpresas”**: se reemplaza el producto cubierto por el acuerdo si ocurren cuatro o más fallas del producto en un periodo de 12 meses.
- ☑ **Reemplazo del producto**: en caso de que no se pueda reparar el producto cubierto por el acuerdo.
- ☑ **Revisión anual preventiva de mantenimiento del producto**: puede solicitarla en cualquier momento, sin costo alguno.
- ☑ **Rápida asistencia telefónica**, la cual denominamos **Solución rápida**: es decir, asistencia telefónica a través de cualquiera de nuestros representantes de Sears, sobre cualquiera de nuestros productos. Piense en nosotros como en un “manual parlante del usuario”.
- ☑ **Protección contra fallas eléctricas**, contra daños debidos a fluctuaciones de la corriente eléctrica.
- ☑ **\$250 al año para cubrir cualquier posible deterioro de alimentos** que haya tenido que desechar debido a una falla mecánica de cualquiera de nuestros refrigeradores o congeladores cubiertos por este acuerdo.
- ☑ **Devolución de gastos de alquiler de electrodomésticos** si la reparación de su producto asegurado toma más que el tiempo prometido.
- ☑ **10% de descuento** aplicable tanto a los costos del servicio de reparación, como de las piezas instaladas relacionadas que no hayan quedado cubiertos por este acuerdo.

Una vez que haya realizado el pago de este acuerdo, bastará una simple llamada telefónica para concertar una visita de servicio. Puede llamar a cualquier hora del día o de la noche, o bien concertar una visita de servicio por Internet.

La adquisición del Acuerdo maestro de protección es una inversión exenta de riesgos. Si por cualquier motivo decide cancelar dicho acuerdo durante el periodo de garantía del producto, le haremos un reintegro total del valor. O bien un importe proporcional si cancela el acuerdo en cualquier otro momento posterior al vencimiento del periodo de garantía del producto. ¡Adquiera hoy mismo su Acuerdo maestro de protección!

**Algunas limitaciones y exclusiones podrían aplicarse. Para solicitar precios e información adicional, llame al 1-800-827-6655 (en los EE.UU.).**

\* La cobertura en Canadá varía en el caso de algunos artículos. Para obtener detalles completos al respecto, llame al 1-800-361-6665 de Sears de Canadá.

### Servicio de instalación de Sears

Para solicitar la instalación por profesionales de Sears de electrodomésticos, abridores de puertas de garaje, calentadores de agua y otros artículos de uso prioritario en el hogar, llame al **1-800-4-MY-HOME** en los EE.UU. o Canadá.

# GARANTÍA DE ELECTRODOMÉSTICOS KENMORE

## Garantía limitada de un año

Si esta cubierta, cuando se instala y se utiliza de acuerdo con las instrucciones de instalación y la guía de uso y cuidado, falla debido a defectos de material o mano de obra durante el primer año a partir de la fecha de compra, llame al 1-800-4-MY-HOME® para hacer arreglos para que sea reparada (o reemplazada si no se puede reparar) gratuitamente.

Si este electrodoméstico se usa para fines que no sean privados de familia, esta garantía es válida únicamente por 90 días a partir de la fecha de compra.

## Esta garantía cubre únicamente los defectos de material y mano de obra. Sears NO pagará lo siguiente:

1. Artículos desechables que se desgasten por uso normal, incluyendo sin limitarse a los filtros, correas, bombillas y bolsas.
2. Técnicos de servicio que instruyan al usuario en la manera adecuada de instalar, utilizar o mantener el producto.
3. Técnicos de servicio que limpien o realicen mantenimiento al producto.
4. Daños o fallas de este producto si el mismo no fue instalado, utilizado o mantenido de acuerdo con todas las instrucciones proporcionadas con el producto.
5. Daños o fallas de este producto por accidente, abuso o mal uso del producto o uso para fines para los cuales no fue diseñado.
6. Daños o fallas de este producto por el uso de detergentes, limpiadores, químicos o utensilios que no sean los recomendados en todas las instrucciones proporcionadas con el producto.
7. Daños o fallas de piezas o sistemas por modificaciones al producto que no hayan sido autorizadas.

## Renuncia de responsabilidades de garantías implícitas; limitación de acciones legales

La única y exclusiva opción del cliente bajo esta garantía limitada es la reparación del producto según se indica. Las garantías implícitas, incluyendo las garantías de comercialización o aptitud del producto para un propósito específico, están limitados a un año o al período mínimo permitido por ley. Sears no será responsable por daños consecuentes o incidentales. Algunos estados y provincias no permiten la exclusión o limitación de daños incidentales o consecuentes o las limitaciones de duración de las garantías implícitas de comercialización o aptitud, por lo que estas exclusiones o limitaciones pueden no aplicarse en su caso.

Esta garantía se aplica únicamente mientras este electrodoméstico esté en uso dentro de los Estados Unidos o Canadá.

Esta garantía le otorga derechos legales específicos. Usted puede tener además otros derechos que varían de un estado a otro.

**Sears, Roebuck and Co.,  
Dept. 817WA, Hoffman Estates, IL 60179**

**Sears Canada Inc.  
Toronto, Ontario, Canada M5B 2B8**

En el espacio a continuación, anote su número de modelo completo, el número de serie y la fecha de compra. Esta información puede encontrarse en la etiqueta del número de modelo y serie que se encuentra en el lugar que se muestra en la sección de Características del Lavavajillas de este libro. Tenga esta información a mano para que le ayude a obtener ayuda y servicio rápidamente cuando llame a Sears con respecto a su aparato doméstico.

Número de Modelo: 587. \_\_\_\_\_

Número de Serie: \_\_\_\_\_

Fecha de Compra: \_\_\_\_\_

**Guarde estas instrucciones y su recibo de compra para referencia futura.**

ESPAÑOL

# Instrucciones importantes para la seguridad

## **ADVERTENCIA**

Este símbolo le alertará sobre peligros de lesiones, quemaduras, incendios y choque eléctrico.

## **ADVERTENCIA**

Para disminuir el riesgo de incendio, choque eléctrico o lesiones cuando esté usando su lavavajillas, siga las precauciones básicas incluyendo las siguientes:

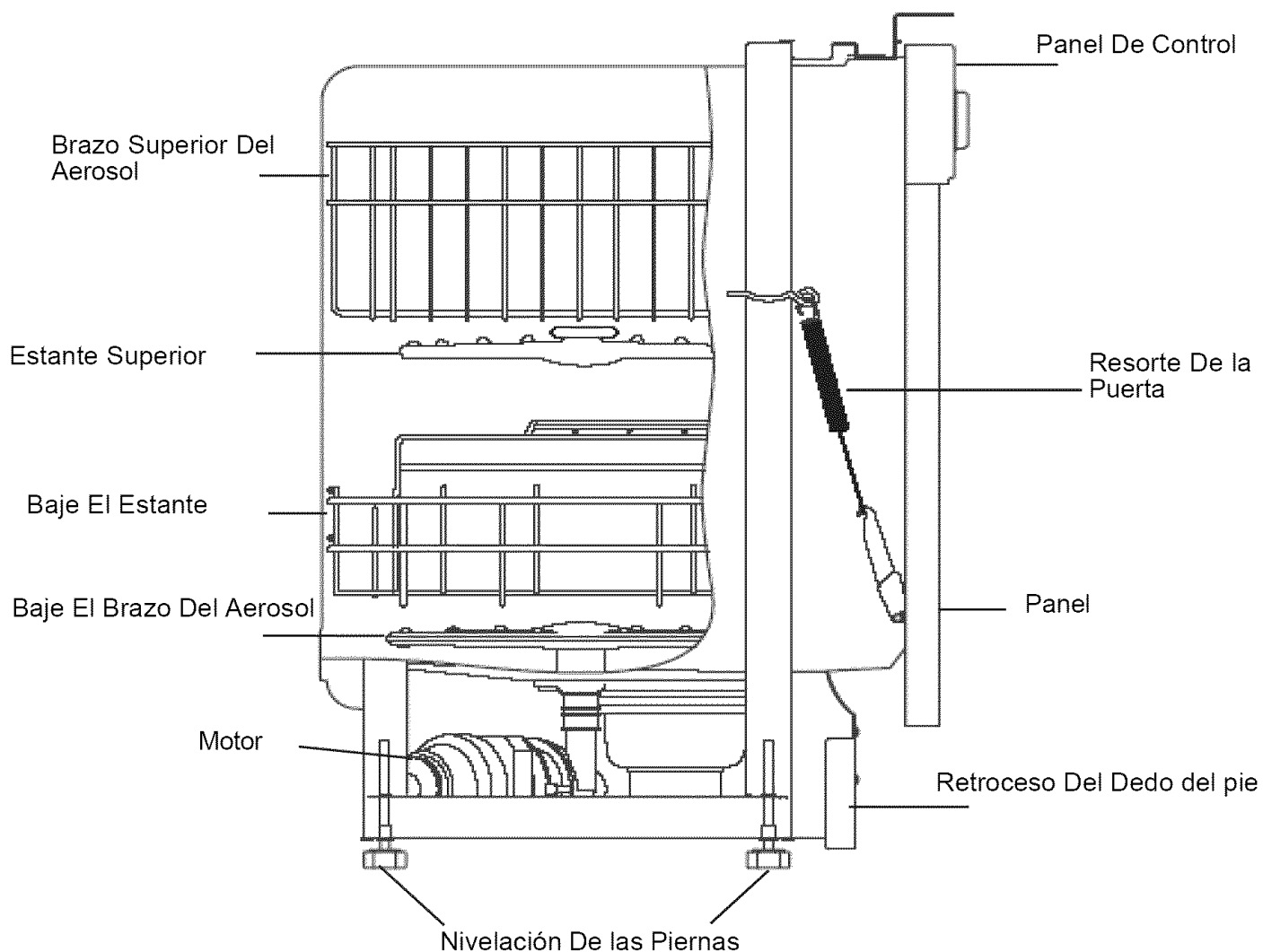
- Lea todas las instrucciones antes de usar su lavavajillas.
- Use su lavavajillas solamente de acuerdo con las instrucciones de esta Guía del propietario.
- Las instrucciones incluidas en este Manual del Usuario, no pueden cubrir todas las situaciones o condiciones posibles que puedan presentarse. Por lo tanto, se debe usar sentido común y tener cuidado cuando se instala, se hace funcionar y se repara cualquier artefacto.
- **EL LAVAVAJILLAS DEBE TENER CONEXIÓN A TIERRA.** Para más detalles, lea las instrucciones de instalación.
- Este lavavajillas está diseñado para funcionar con la corriente de la casa (120 V, 60 Hz). Use un circuito que tenga un fusible o interruptor de circuitos de 15 amperios. Use un fusible de 20 amperios, si el lavavajillas está conectado a un triturador de desperdicios.
- No haga funcionar el lavavajillas a menos que todos los paneles de inclusión estén colocados en el lugar que les corresponda.
- Quite la puerta al compartimiento que se lava al quitar un viejo lavaplatos de servicio o desechándolo.
- No permita que los niños y bebés se acerquen al lavavajillas cuando esté funcionando.
- No deje que los niños usen la puerta ni las rejillas del lavavajillas para sentarse, pararse o jugar ni que abusen de las mismas.
- Use solamente los detergentes y agentes de enjuague recomendados para lavavajillas.
- Mantenga los detergentes y los agentes de enjuague fuera del alcance de los niños.
- No lave artículos de plástico a menos que tengan indicaciones de que se puede hacerlo tales como "dishwasher safe" u otra frase equivalente. De no haber indicaciones, pregúntele al fabricante cuáles son las recomendaciones. Los artículos que no son seguros para lavarse en el lavavajillas pueden crear un peligro de incendio.
- Si el desagüe del lavavajillas pasa por un triturador de desperdicios, asegúrese de que éste se encuentre completamente vacío antes de hacer funcionar el lavavajillas.
- Antes de hacer el servicio, desconecte la corriente eléctrica del lavavajillas.
- Las reparaciones las debe hacer un técnico calificado.
- No trate de modificar los controles.
- Cuando coloque los artículos que se van a lavar:
  - Coloque los artículos cortantes y los cuchillos en forma tal que no vayan a dañar el sello de la puerta ni la tina.
  - Coloque los objetos cortantes y los cuchillos con el mango hacia arriba para evitar cortarse.
- Bajo ciertas condiciones, se puede producir gas hidrógeno en los sistemas de agua caliente que no se han usado por dos o más semanas. **EL HIDRÓGENO ES EXPLOSIVO.** Si el sistema de agua caliente no se ha usado por mucho tiempo, antes de usar el lavavajillas, abra los grifos y deje correr el agua caliente por varios minutos. Esto dejará salir cualquier gas hidrógeno que se haya acumulado. **EL GAS HIDRÓGENO ES INFLAMABLE.** No fume ni use una llama durante este tiempo.
- No guarde ni use materiales combustibles, gasolina ni otros vapores y líquidos inflamables cerca de este artefacto ni de cualquier otro.

**GUARDE ESTAS INSTRUCCIONES**

ESPAÑOL

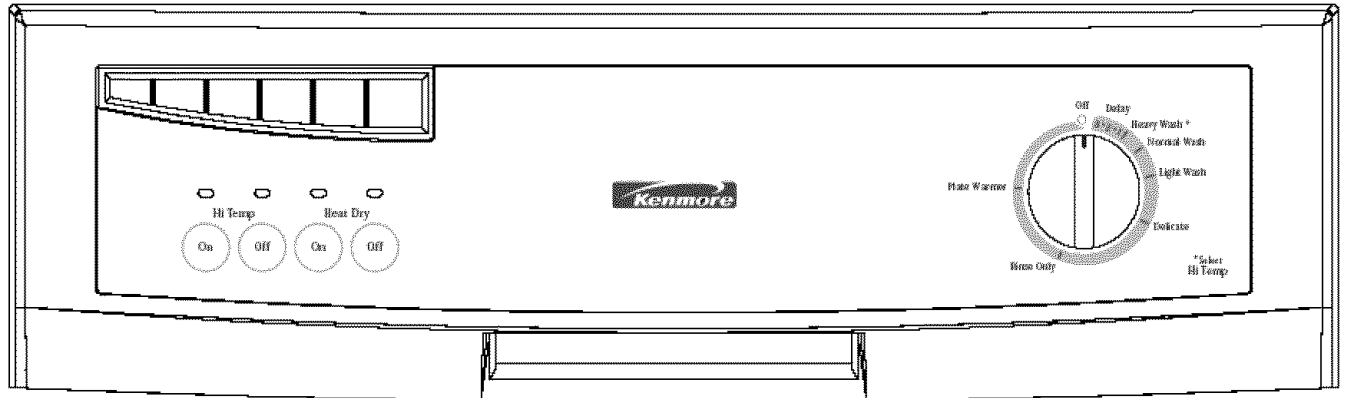
# Características del lavavajillas

Su lavavajillas, que aparece dibujado a continuación, limpia al rociar una mezcla de agua caliente y limpia con detergente sobre las superficies sucias de sus platos y vajilla. Cada ciclo comienza con un drenaje previo. Luego, el lavavajillas se llena de agua hasta el nivel del elemento calefactor. El agua es bombeada constantemente a través del brazo giratorio de lavado y la torre central de lavado para ser rociada sobre los platos. El agua sucia es bombeada hacia el exterior y es reemplazada por agua limpia durante el ciclo. La cantidad de llenados de agua depende del ciclo elegido.



# Instrucciones de uso

## Panel de Control



## Cómo empezar

1. Compruebe El Filtro (Véase El Filtro De la Limpieza)
2. Cargue el lavavajillas (Vea la sección Preparando y cargando los platos).
3. Agregue el detergente (Vea la sección Dispensador y detergentes para lavavajillas).
4. Si es necesario, agregue el agente de enjuague (Vea la sección Agente de enjuague, "Rinse Aid").
5. Seleccione el ciclo deseado (Ver la Tabla de Ciclos).
6. Seleccione las OPCIONES deseadas.
7. Vea las instrucciones para conectar el lavavajillas portátil en la página 11.
8. Abra la llave de agua caliente que esté más cerca del lavavajillas para vaciar el agua fría de las tuberías. Cierre la llave.
9. Para ponerlo en funcionamiento, cierre bien la puerta del lavavajillas hasta que se trabé.

**Tabla de Ciclos**

Ciclos	Descripción	Para Seleccionar el Ciclo	Agua (aprox.)	Tiempo (aprox.)	Lavados/Enjuagues
<b>Lavado pesado</b> (Heavy Wash)	Para platos y cubiertos muy sucios.	<ul style="list-style-type: none"> <li>Dé vuelta al dial a HEAVY WASH.</li> <li>Seleccione las OPCIONES deseadas</li> </ul>	7.0 gal. 36.4 litros	143 min.*	2 lavados 5 enjuagues
<b>Lavado Normal</b> (Normal Wash)	Para platos y cubiertos con suciedad normal.	<ul style="list-style-type: none"> <li>Dé vuelta al dial a NORMAL WASH.</li> <li>Seleccione las OPCIONES deseadas</li> </ul>	5.2 gal. 19.8 litros	128 min.*	2 lavados 4 enjuagues
<b>Lavado liviano</b> (Light Wash)	Para platos y cubiertos poco sucios o ya enjuagados.	<ul style="list-style-type: none"> <li>Dé vuelta al dial a LIGHT WASH.</li> <li>Seleccione las OPCIONES deseadas</li> </ul>	4.4 gal. 16.5 litros	112 min.*	2 lavados 3 enjuagues
<b>Delicado</b> (Delicate)	Para levemente soiled y platos delicados pre-aclarados.	<ul style="list-style-type: none"> <li>Dé vuelta al dial a DELICATE.</li> <li>Seleccione las OPCIONES deseadas</li> </ul>	3.5 gal. 13.2 litros	80 min.*	2 lavados 2 enjuagues
<b>Enjuague espera</b> (Rinse Hold)	Para enjuagar platos que serán lavados más adelante.	<ul style="list-style-type: none"> <li>NO USE detergente.</li> <li>Dé vuelta al dial a RINSE/HOLD</li> <li>Presione la tecla de COOL DRY.</li> </ul>	0.9 gal. 3.4 litros	20 min.	1 lavado
<b>Warmer De Placa</b> (Plate Warmer)	Para los platos que se calientan y las placas que sirven antes de alimentos calientes de la porción.	<ul style="list-style-type: none"> <li>Cargue las placas limpias y los platos que se calentarán</li> <li>Dé vuelta al dial a PLATE WARMER.</li> <li>Presione la tecla de HOT DRY.</li> </ul>			

\* Incluye tiempo de secado.

# Preparación y colocación de los platos

## Opciones De la Energía

### Opción "Hi-Temp Wash" (lavado en alta temperatura)

Cuando se elige la opción "HI-TEMP WASH ON" (lavado en alta temperatura: encendido), el lavavajillas calienta el agua del depósito para el lavado principal a aproximadamente 140 °F (60 °C). El lavado continuará pero el temporizador no avanzará hasta que se alcance la temperatura adecuada. El agua más caliente que resulta de esta opción ayuda a activar el detergente del lavavajillas para limpiar la grasa de la comida y la suciedad de los platos. La opción "HI-TEMP WASH ON" puede usarse en cualquier ciclo, excepto en "RINSE HOLD" (mantener en remojo) y no se recomienda su uso con "CHINA" (porcelana). Para desactivar la opción, seleccione "HI-TEMP WASH OFF" (lavado en alta temperatura: apagado).

### Opción "Heated Dry" (Seca Calentada)

La opción "HEAT DRY ON" (secado con calor: encendido) proporciona un secado más rápido, ya que el elemento calentador está encendido durante la porción de secado del ciclo.

La opción "HEAT DRY" en combinación con un aditivo de enjuague dará excelentes resultados de secado. La electricidad necesaria para usar "HEAT DRY" cuesta unos pocos centavos por ciclo. Si lo desea, puede no usar la opción "HEAT DRY". Sin embargo, algunos artículos no quedarán secos al final del ciclo.

Con cualquiera de las dos opciones, puede ocurrir que vea salir vapor de agua del respiradero durante la porción de lavado y/o secado del ciclo. En algunos modelos, el respiradero está cerrado durante el lavado, para mantener adentro la humedad y el ruido, y luego se abre durante el secado.

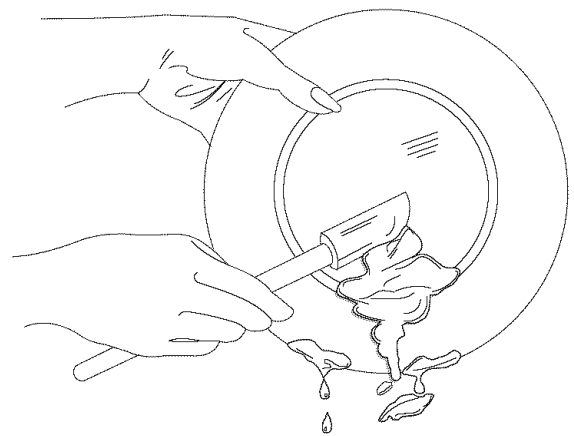
La opción de secado puede cambiarse en cualquier momento durante el ciclo y afecta solamente al período de secado.

## Preparación de los platos

Los platos no necesitan ser enjuagados antes de ser colocados en el lavavajillas. Solo tiene que limpiar los pedazos grandes de alimentos, huesos, pepitas, etc. Vacíe los líquidos de los vasos y tazas. Los alimentos quemados o encostrados pueden necesitar un remojo o un frotado ligero.

Los alimentos tales como la mostaza, la mayonesa, el vinagre, el jugo de limón y los productos a base de tomate pueden causar una decoloración del acero inoxidable y del plástico si se dejan sin limpiar durante algún tiempo. A menos que vaya a poner el lavavajillas en funcionamiento de inmediato, es mejor enjuagar estos alimentos.

- Coloque los platos mirando hacia el centro de la rejilla para que el rocío de agua que sale del brazo giratorio de lavado y la torre central puedan llegar hasta las superficies sucias.
- Asegúrese de que los artículos grandes no bloqueen el dispensador del detergente, evitando que se abra durante el ciclo de lavado.
- Para asegurarse de que un artículo puede lavarse en el lavavajillas, lea las instrucciones del fabricante.
- Si el lavavajillas se vacía en un eliminador de alimentos, **asegúrese de que el eliminador está completamente vacío antes de poner el lavavajillas en funcionamiento.**
- Para ahorrar energía, lave cuando tenga una carga completa.
- Para obtener los mejores resultados de lavado, llene el lavavajillas correctamente y evite sobrecargarlo.



# Preparación y colocación de los platos continuación

## Para llenar la rejilla superior

**Vasos y tazas**—Coloque los vasos y las tazas contra las púas exteriores en un ángulo. Las tazas que tienen un fondo cóncavo recolectarán agua.

## Platos pequeños y platillos—

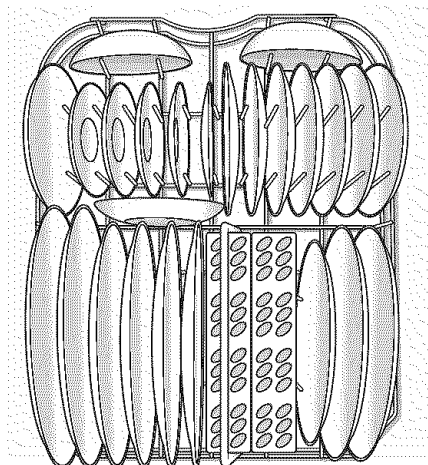
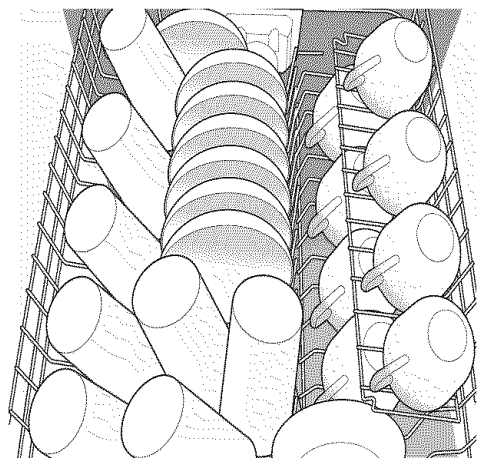
Coloque los platos entre las dos filas centrales de púas.

**Artículos de plástico**—Coloque los artículos de plástico en la rejilla superior para evitar que se derritan.

**Tazones**—Coloque los tazones entre las 2 filas centrales de púas, mirando hacia abajo.

**Artículos varios**—Coloque los cuchillos y utensilios con mango largo en la rejilla superior.

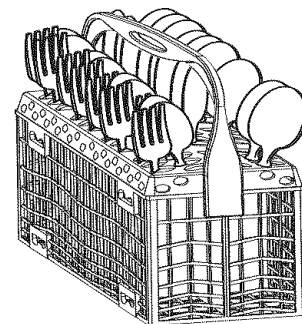
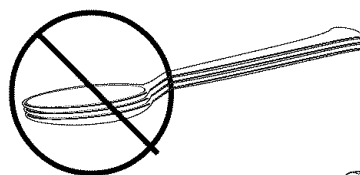
**Estante para tazas**—El estante para tazas puede ser plegado sobre los artículos bajos (vasos para jugo, tazas, etc.) para tener más espacio. Cuando use el estante para tazas, alterne los artículos con los de la capa inferior para que el agua pueda llegar a todas las superficies interiores.



## Para llenar la canasta para los cubiertos

Coloque los cubiertos cortantes con los mangos hacia arriba. Asegúrese de que los cubiertos no sobresalgan por los agujeros de la canasta y detengan el movimiento del brazo rociador.

Mezcle los cubiertos en cada sección para evitar que se «encajen» unos dentro de otros. El agua no puede lavar correctamente los artículos encajados.



## Para llenar la rejilla inferior

### Platos grandes y fuentes—

Colóquelos entre las púas de soporte con las superficies sucias mirando hacia el interior.

### Tazones, cazuelas y salseras—

Colóquelos boca abajo o en un ángulo mirando hacia el interior. Cuando están un poco inclinados, se obtiene un mejor vaciado.

### Cacerolas y sartenes—

Colóquelas boca abajo y en ángulo. No permita que los mangos sobresalgan por el fondo de la rejilla, bloqueando el movimiento del brazo de lavado. Coloque los artículos grandes en los lados y no en la parte delantera para que no bloqueen la apertura del dispensador de detergente.

## Para añadir platos

1. Asegúrese de que todavía haya un ciclo completo de lavado para que los platos que vaya a añadir puedan ser lavados y enjuagados a fondo.
2. Destrahe la puerta y espere que se detenga el movimiento del agua.
3. Abra la puerta y coloque el plato.
4. Cierre bien la puerta para que se trabe y el ciclo pueda continuar.

# Dispensador y detergentes para lavavajillas

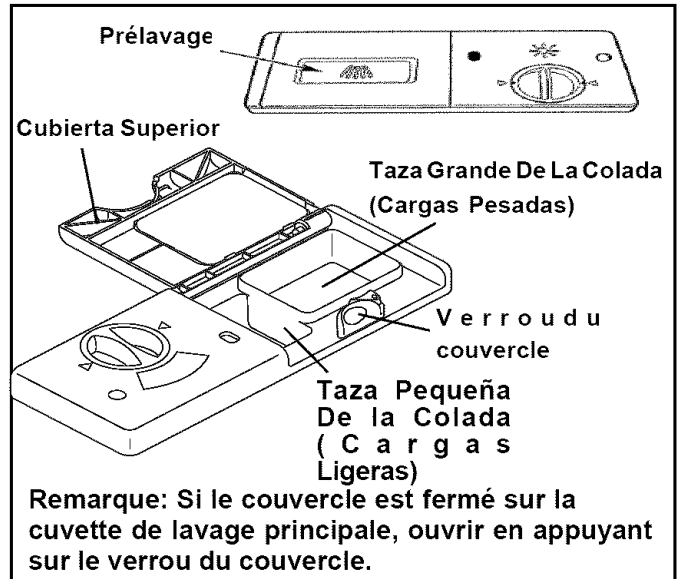
## Remplissage du distributeur de détersif

Le distributeur de détersif est muni d'un godet fermable et d'un autre découvert. Le détersif dans le godet découvert tombe dans le lave-vaisselle dès que la porte se ferme. Le godet fermable s'ouvre automatiquement durant le lavage principal.

- Utiliser uniquement un détergent neuf pour lave-vaisselle automatique. D'autres types de détergent peuvent provoquer une formation de mousse excessive.
- Si l'on utilise les tablettes de détergent pour lave-vaisselle, il suffit de placer une tablette dans le godet principal de détergent et de fermer ce godet.
- Ajouter du détergent avant de commencer le cycle.
- Ranger le détergent dans un endroit frais et sec. Un détergent qui a pris l'humidité et qui s'est solidifié ne se dissout pas complètement.
- No llene ambas tazas de la colada, a menos que usted tenga agua muy dura, ven la carta abajo.

## Quelle quantité de détergent utiliser

La quantité de détergent à utiliser dépend de la dureté de l'eau. La dureté de l'eau est mesurée en grains par gallon. Lorsque la quantité de détergent est insuffisante, les résultats de lavage peuvent être insatisfaisants, et l'eau dure peut laisser un film ou des taches sur la vaisselle. L'utilisation d'une trop grande quantité de détergent dans l'eau douce peut entraîner la formation d'un film permanent par suite d'attaque par le détergent. La compagnie des eaux, la compagnie d'adoucisateurs de votre région ou les services publics de la municipalité peuvent vous fournir la dureté de l'eau de votre secteur.



### ATTENTION

L'utilisation d'un détergent industriel peut endommager le serpentin et d'autres pièces du lave-vaisselle, entraînant ainsi des dommages à l'appareil et aux biens qui l'entourent. Utilisez uniquement des détergents à lave-vaisselle ménagers.

## Guía de Uso del Detergente

Ciclo	Agua Blanda (0-3 granos)	Agua Semidura (4-8 granos)	Agua Dura (9-12 granos)	Agua Muy Dura* (más de 12 granos)
Lavado pesado (Heavy Wash) Lavado normal (Normal Wash)	1.5 cucharaditas (ambas tazas - ¼ de la capacidad)	4 cucharaditas (ambas tazas - llenar hasta la línea sobre "Regular")	6 cucharaditas (Ambas tazas - completamente llenas)	Ambas Tazas - Completamente Llenas (se recomienda usar suavizador de agua)
Lavado liviano (Light Wash)	1.5 cucharaditas (Taza de Lavado Principal - ¼ de la capacidad)	4 cucharaditas (Taza de Lavado Principal - llenar hasta la línea sobre "Regular")	6 cucharaditas (Taza de Lavado Principal - completamente llena)	Taza de Lavado Principal - Completamente Llena (se recomienda usar suavizador de agua)
Enjuague espera (Rinse Hold)	No Agregar Detergente	No Agregar Detergente	No Agregar Detergente	No Agregar Detergente (se recomienda usar suavizador de agua)

\*Nota: Para agua muy dura, puede que el detergente solo no sea suficiente. Se recomienda agregar un suavizador de agua para mejorar la calidad del agua y el rendimiento del lavado. Trate de agregar más detergente al comienzo de la porción de lavado principal del ciclo. Como regla general, use 1 cucharadita de té por cada grano sobre los 12 granos. Desbloquee la puerta, ábrala lentamente y agregue detergente en el fondo de la tina. Cierre bien la puerta y la lavadora continuará con el ciclo.

# Distribuidor y Detergentes del Lavavajillas (continuación)

## Agentes de enjuague

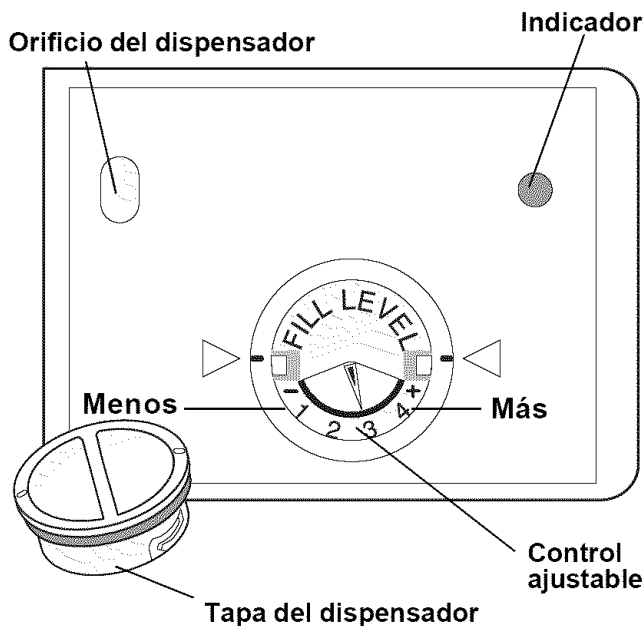
Un agente de enjuague mejora mucho el secado y reduce las manchas y pel'culas del agua. El agua se escurre de los platos en lugar de quedarse como gotas que dejen manchas.

Un dispensador, ubicado junto al recipiente de detergente, dispensa automáticamente una cantidad medida del agente de enjuague durante el último enjuague. Si tiene problemas de formación de manchas y un secado pobre, aumente la cantidad del agente de enjuague que se dispensa llevando el dial a un número más alto. El dial está debajo del recipiente del dispensador. El indicador estará oscuro cuando esté lleno y se aclarará cuando sea el momento de rellenar.

Para agregar un agente de enjuague líquido, gire la tapa del dispensador un  $\frac{1}{2}$  en el sentido contrario a las agujas del reloj y levántelo. Vierta el agente de enjuague hasta que el líquido llegue al nivel de llenado indicado. Vuelva a colocar la tapa.

No llene demasiado ya que podr'a producirse un exceso de espuma. Limpie lo que pudiera haberse derramado con un trapo húmedo.

El dispensador puede contener una cantidad suficiente para hacer de 35 a 140 lavadas, dependiendo de los controles que se usen.



# Factores que afectan el rendimiento

## Temperatura del agua

Se necesita agua caliente para obtener los mejores resultados de lavado y secado. El agua que entre en el lavavajillas debe ser de 49°C (120°F) para dar resultados satisfactorios. Puede obtenerse un mejor rendimiento si se aumenta la temperatura del agua a 60°C (140°F). La temperatura del agua no debe sobrepasar los 70°C (160°F). Compruebe su calentador de agua para la temperatura correcta.

Para comprobar la temperatura del agua que entra en el lavavajillas, abra la llave del agua caliente que se encuentre más cerca del lavavajillas durante varios minutos para vaciar el agua fría de las tuberías. Coloque un vaso bajo la llave y use un termómetro para dulces o para carne para medir la temperatura del agua recolectada.

Si la temperatura es inferior a 120°F (49°C), pida a un técnico calificado que eleve el ajuste del termostato del agua caliente.

No ponga el lavavajillas en funcionamiento durante o justo después de haber usado una gran cantidad de agua caliente, como para lavar ropa o bañarse.

**Importante:** Antes de comenzar un ciclo, abra el grifo y deje correr el agua caliente para hacer salir el agua fría de la tubería.

# Cuidado y limpieza

## ⚠ PRECAUCION

### Peligro de daño a la propiedad

Las temperaturas bajo el punto de congelación pueden causar que se rompan las tuberías. Asegúrese que las tuberías de agua y las de circulación dentro del lavavajillas están protegidas.

Si no se hace esto, se pueden ocasionar daños a la propiedad.

**Exterior**—Limpie de vez en cuando el exterior con un detergente suave no abrasivo y agua. Enjuague y seque.

**Interior**—El interior del lavavajillas se limpia solo con el uso normal.

Para limpiar el acero inoxidable, hágalo a favor del grano.

Utilice un detergente apto para lavavajillas, para facilitar la remoción de las manchas y evitar decoloraciones.

**NUNCA** use productos que contengan blanqueador de cloro o ácido cítrico.

**Importante:** El motor del lavavajillas ha sido lubricado permanentemente durante su fabricación y no necesita ser engrasado.

## Cuidado del espacio de aire del drenaje

Si un espacio de aire del drenaje fue instalado en su lavavajillas integrado, asegúrese de que está limpio para que el lavavajillas pueda hacer el drenaje correctamente. Los espacios de aire del drenaje son instalados habitualmente en el tablero de mostrador y pueden ser inspeccionados sacando la cubierta. El espacio de aire del drenaje no es parte del lavavajillas y no está cubierto por la garantía.

## Acondicionamiento para el invierno

Si dejará un lavavajillas en un lugar sin calefacción, debe protegerlo de manera que no se congele. Recorra a una persona calificada para que haga lo siguiente:

### Para desconectar el servicio:

1. Corte el suministro eléctrico que alimenta al lavavajillas en la fuente de electricidad, quitando los fusibles o desconectando el interruptor automático.
2. Corte el suministro de agua.
3. Coloque una bandeja debajo de la válvula de entrada. Desconecte la tubería de agua de la válvula de entrada y desagote el agua en la bandeja.
4. Desconecte la tubería de drenaje de la bomba y desagote el agua en la bandeja.

**Nota:** Para obtener más detalles, consulte las Instrucciones de instalación.

### Para restablecer el servicio:

1. Vuelva a conectar el suministro de agua, de electricidad y el desagüe.
2. Abra el suministro de agua y de electricidad.
3. Llene los dos depósitos de detergente y haga funcionar el lavavajillas durante todo un ciclo "NORMAL WASH" (lavado normal).
4. Controle las conexiones para verificar que no haya fugas.

**Nota:** Vea las instrucciones de instalación para más detalles.

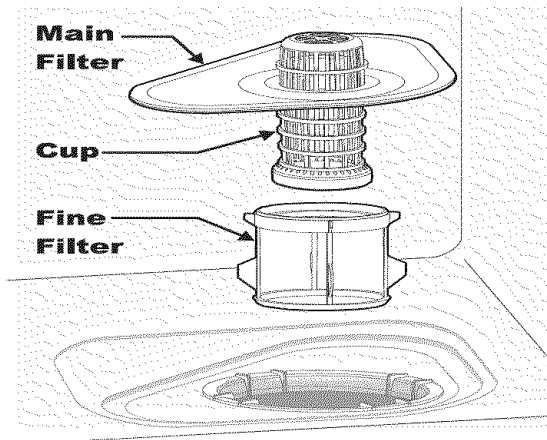
# Cuidado y limpieza continuación

## ⚠ PRECAUCION

### Peligro de daño a la propiedad

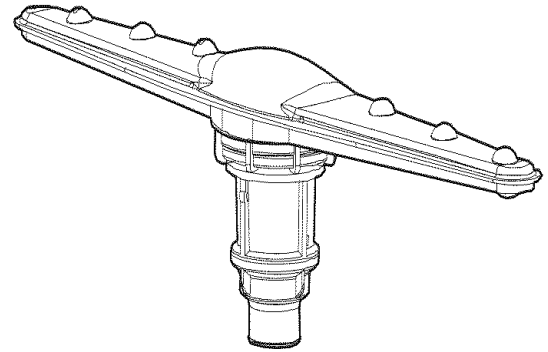
Las temperaturas bajo el punto de congelación pueden causar que se rompan las tuberías. Asegúrese que las tuberías de agua y las de circulación dentro del lavavajillas están protegidas.

Si no se hace esto, se pueden ocasionar daños a la propiedad.



## Limpieza del filtro

Para el funcionamiento óptimo, su lavaplatos se equipa de un montaje de filtro que ofrece un filtro principal, una taza y el filtro fino según lo demostrado en el dibujo arriba. Todos los fragmentos del alimento se quitan del lavaplatos mientras que el agua pasa a través del montaje de filtro. Cada pieza de la asamblea debe ser limpiada a menudo para asegurarse de que todos los fragmentos del alimento están quitados de los platos. Para quitar fragmentos del alimento del montaje de filtro, los filtros se deben quitar del lavaplatos. Para quitar los filtros, levántese en el borde del filtro principal. Después, aclare el filtro principal y el filtro fino debajo de la agua corriente. La limpieza con un cepillo puede también ser necesaria quitar cualquier fragmento atrapado en los filtros. Una vez que se haya terminado la limpieza, vuelva a montar simplemente el filtro según lo demostrado en el dibujo arriba. Para asegurarse de que el filtro esté asentado completamente, presione por favor abajo en la tapa del filtro principal. **Usar el lavaplatos sin un filtro correctamente instalado no se recomienda pues reducirá la eficacia de limpieza y puede dañar el dishware.**



## Limpieza del brazo rociador

Se debe limpiar el brazo rociador, para asegurarse de que no haya obstrucciones en su boquilla y sus rodamientos debido a los compuestos químicos del agua pesada.

Para quitar el brazo del aerosol sostenga simplemente el brazo del aerosol en lugar y dé vuelta a la tuerca de retención a la derecha y levántese en el brazo del aerosol que quita el eje.

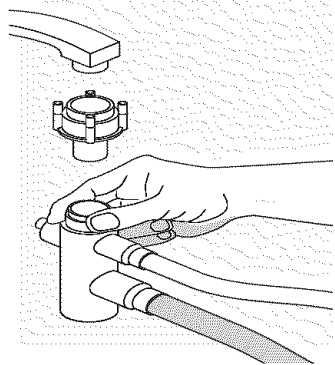
Para limpiar el brazo rociador, use agua tibia jabonosa y un cepillo suave para limpiar las boquillas y los rodamientos.

Substituir el brazo del aerosol fijó simplemente el brazo del aerosol en el eje, toma la tuerca de retención y le da vuelta contraria a la derecha hasta que se ha trabado en lugar.

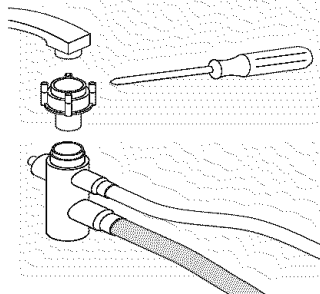
# Conexión y desconexión del lavavajillas portátil

El lavavajillas portátil debe estar conectado a una llave de agua y a un tomacorrientes eléctrico cada vez que se use. Siga las instrucciones de esta página para conectar el lavavajillas correctamente.

## Conjunto del adaptador para la llave (Figura A)

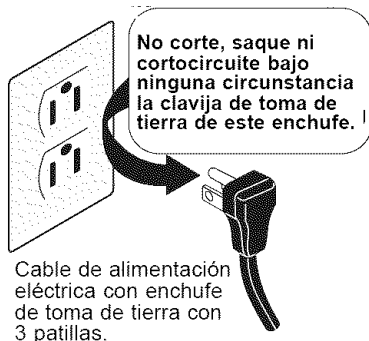


## Conexión del conjunto del adaptador portátil para la llave (Figura B)



<b>⚠ ADVERTENCIA</b>	
	<b>Riesgo de choque eléctrico</b> Evite los riesgos de incendio o las descargas eléctricas. No use un adaptador ni un cable de extensión ni saque la clavija de toma de tierra del cable eléctrico. El no seguir esta advertencia puede causar lesiones graves, incendios o la muerte.

Receptáculo mural con toma de tierra.



Cable de alimentación eléctrica con enchufe de toma de tierra con 3 patillas.

**IMPORTANTE:** Asegúrese de que la puerta esté trabada antes de mover el lavavajillas.

El cable, el acoplador para la llave del agua y las mangueras se encuentran en un compartimiento en la parte trasera del lavavajillas. Debe instalarse un adaptador especial en la llave del agua antes de que pueda conectar el lavavajillas (Figura A).

1. Saque el conjunto del adaptador de la llave del agua de su envase.
2. Desenrosque el aireador existente de la llave.
3. Examine la boquilla de la llave para ver si las roscas están en el interior o el exterior.
  - Si las roscas están en el *interior* de la boquilla de la llave, use ambas arandelas de goma, la gruesa y la delgada.
  - Si las roscas están en el *exterior* de la boquilla de la llave, use la arandela delgada de goma solamente.
  - Si la llave no tiene roscas, la mayoría de las ferreterías tienen un juego de adaptador con instrucciones para enganchar a una llave sin roscas.
4. Ensamble la boquilla de la llave según se muestra en la Figura A. Asegúrese de que las dos mallas de bronce se encuentran debajo de las arandelas de goma.

## Conexión del lavavajillas portátil

1. Deje correr el agua de la llave hasta que esté caliente. Cierre la llave.
2. Saque las mangueras del compartimiento.
3. Empuje el collar hacia abajo y coloque el conector sobre el adaptador de la llave (Figura B).
4. Cuando el conector se encaje en su lugar, suelte el collar.
5. Abra la llave del agua caliente completamente y despacio.
6. Enchufe el cable en el tomacorrientes con toma de tierra.

## Desconexión del lavavajillas portátil

1. Cuando el ciclo haya terminado, cierre la llave del agua caliente.
2. Pulse el botón rojo del acoplador para dejar salir la presión del agua.
3. Presione el collar hacia abajo para soltar el acoplador.
4. Vacíe el agua que quede en el acoplador y vuelva a colocarlo en el compartimiento.
5. Desenchufe el cable y vuelva a colocarlo en el compartimiento.

**IMPORTANTE:** Una manguera rociadora de fregadero puede reventar debido a la presión constante del agua cuando el lavavajillas está siendo usado. Si su manguera rociadora está instalada en la misma línea de agua que el lavavajillas, es su responsabilidad desconectar la manguera rociadora del fregadero y tapar el agujero.

## Conexión eléctrica para un lavavajillas portátil

Se requiere una corriente eléctrica de 120 voltios, 60 Hz, CA solamente y 15 amperios. Para su seguridad, el lavavajillas debe ser conectado a una toma de tierra. Si existe un mal funcionamiento o una falla, la toma de tierra reducirá el riesgo de descargas eléctricas. Este lavavajillas tiene un cable con un enchufe de toma de tierra con 3 patillas. Debe ser enchufado en un tomacorrientes de 3 orificios con toma de tierra, instalado y conectado a tierra según el Código Eléctrico Nacional y otros códigos y ordenanzas locales.

# Problemas y soluciones comunes

**Platos no limpios**—Lea las páginas 20 a 24 para la información sobre el ciclo correcto de lavado, el llenado correcto, la temperatura del agua, la presión del agua, agua dura, la cantidad de detergente, detergente viejo e ineficiente y la colocación de los platos. Para maximizar funcionamiento de la colada limpie el filtro de todas las partículas grandes del alimento después de cada colada. Para asegurarse de que usted limpie el filtro correctamente refiera a la página 12.

**Los platos no se secan**—El uso de un agente para el enjuague y agua muy caliente mejora enormemente el secado. El agua caliente aumenta la temperatura de los platos para acelerar el secado. Coloque las tazas y tazones al revés para que el agua se vacíe. Evite que los artículos se encajen unos dentro de otros. Si los platos no están completamente secos al final del ciclo (lo que puede ocurrir cuando se usa la selección de NO HEAT DRY [NO SECADO POR CALOR]), abra la puerta, saque las rejillas hacia afuera y deje que los platos se sequen al aire.

**Manchas**—Las manchas se forman cuando las gotas de agua dura se evaporan dejando un depósito. El uso de un detergente con bajo contenido de fosfato aumenta el problema en aguas duras. Para evitarlas, use agua caliente y un detergente con mayor nivel de fosfatos (de preferencia 8,7% o mayor), o use una cantidad mayor de detergente con bajo contenido de fosfato. Asegúrese de usar un agente de enjuague. Si el agua es muy dura, puede ser necesario instalar un ablandador de agua. Coloque los vasos y los platos de manera que tengan un contacto mínimo con las rejillas y las púas. Evite sobrecargar el lavavajillas. Siempre que los platos y los vasos se toquen, ocurrirán manchas.

**Las películas y manchas** debidas a aguas duras son causadas habitualmente por una combinación de agua dura y una cantidad insuficiente de detergente. El detergente con bajo contenido de fosfato es también un factor. Para corregir este problema, aumente la cantidad de detergente, verifique la temperatura del agua y use siempre un agente para el enjuague. Si el agua es muy dura, puede ser necesario instalar un ablandador de agua.

**La película** debida a un «grabado» del agua blanda en el vidrio es causada por el uso excesivo de detergente en agua blanda o agua dura ablandada. Esta película no puede quitarse. Es más probable que ocurra en vidrio guarnecido de plomo blando o en cristalería costosa. Esta condición empieza a notarse cuando los vasos tienen una apariencia nebulosa e iridescente. Para evitar este problema, asegúrese de que el lavavajillas recibe la cantidad correcta de agua. El agua deberá llegar hasta la base del elemento calefactor. Si el nivel de agua es bajo, haga que un plomero examine la presión del agua. Use menos detergente y asegúrese de que la temperatura del agua no sea mayor de 66°C (150°F). Coloque pocos platos para garantizar un enjuague a fondo. Use la opción de

NO HEAT DRY (NO SECADO POR CALOR).

**Platos y vasos astillados**—La manipulación descuidada y el llenado incorrecto pueden causar astillas. No coloque los vasos en contacto directo con otros artículos. Coloque los vasos bien asegurados contra las púas.

**El cuarteado de porcelana antigua y cerámica** ocurre cuando los artículos son lavados con agua muy caliente. Una vez que el cuarteado (grietas delgadas en el esmalte) aparece, no puede ser eliminado. No vuelva a lavarlos en el lavavajillas o la situación puede empeorar.

**Las manchas de café o té** pueden aparecer cuando el agua contiene rastros de hierro. Para evitar las manchas, enjuague las tazas inmediatamente después del uso. Aumente la cantidad de detergente y use un agente para el enjuague. La temperatura del agua deberá estar aproximadamente a 60°C (140°F). Si el problema continúa, instale un ablandador de agua con una unidad para eliminar el hierro. Para borrar las manchas, lave las tazas a mano en una solución de 120 ml (½ taza) de lejía y 1 L (1 cuarto de galón) de agua caliente. Enjuague a fondo.

**Las manchas grises-negras en los platos** son causadas por el manganeso en el agua. Para corregir este problema, instale un sistema para filtrar el manganeso en el abastecimiento de agua de la casa.

**Las manchas marrones rojizas en los platos, vasos y el interior del lavavajillas** son causadas por hierro en el agua. Para evitar las manchas de hierro, aumente la cantidad de detergente, use agua calentada a aproximadamente 60°C (140°F) y use un agente para el enjuague. Puede ser necesario instalar un ablandador de agua con una unidad para eliminar el hierro. Para mejorar el aspecto, use un producto para eliminar el óxido y la cal.

**Los artículos de plástico** pueden deformarse debido a las temperaturas elevadas de los lavavajillas automáticos. Consulte las etiquetas antes de lavar. Coloque los artículos lavables en la rejilla superior alejados del elemento calefactor.

**La decoloración de los artículos de plástico**—Algunos alimentos, como la salsa de tomate, pueden manchar el plástico. Si está manchado, remójelo en una solución de 1 cucharada de detergente para lavavajillas y 1 L (1 cuarto de galón) de agua caliente o en una solución de 120 ml (½ taza de lejía) y 1 L (1 cuarto de galón) de agua caliente.

**El aclaramiento de los dibujos o del borde metálico** se debe al detergente y el agua caliente durante demasiados lavados. La mayoría de la porcelana actual puede lavarse en el lavavajillas. La porcelana y loza antigua o pintada a mano as' como las vasijas de cerámica pintadas a mano se deben lavar a mano.

## Problemas y soluciones comunes continuación

**No coloque la plata** cerca de o tocando los utensilios de acero inoxidable en la canasta para cubiertos del lavavajillas. Esto puede causar manchitas en las hojas de acero inoxidable. (La mayoría de los cuchillos de plata tienen hojas de acero inoxidable. No deje que las hojas toquen otros artículos de acero inoxidable durante el ciclo de lavado.)

**El deslustre del chapado de plata** ocurre cuando se ha desgastado hasta el metal de base y se vuelve de un color de bronce debido a la oxidación cuando se expone a agua caliente y al detergente. Elimine el color de bronce remojando el artículo durante 10 minutos en vinagre o use un producto para pulir plata. Para protección permanente, haga que el artículo vuelva a ser chapado en plata.

**El deslustre de la plata** puede ser causado por el contacto prolongado con el aire o los alimentos que contienen sulfuro como huevos, mayonesa o pescado. El contacto con el detergente no disuelto es otra causa del deslustre. Para evitar el deslustre, enjuague la plata pronto después del uso. Tenga cuidado también de no verter el detergente directamente sobre la plata. Borre el deslustre con un producto para pulir plata.

**Decoloración del acero inoxidable**—La suciedad de los alimentos puede causar una película o decoloración. Para evitar este problema, enjuague el acero inoxidable prontamente. Las películas de suciedad de alimentos pueden ser borradas con un limpiador para acero inoxidable o un limpiador suave. Enjuague a fondo.

**Las manchitas en el acero inoxidable** son causadas por el contacto prolongado con los gránulos de detergente así como alimentos como la sal, mayonesa, frutas, mantequilla o leche. Para evitar este problema, enjuague pronto después del uso. No deje que el detergente caiga directamente sobre los artículos de acero inoxidable.

**Decoloración del aluminio**—El aluminio anodizado (coloreado) no puede soportar el lavado a máquina. La pérdida de color es permanente. Otros tipos de aluminio pueden oscurecerse al lavarse a máquina. Para disminuir la probabilidad de que se descolore, no coloque el aluminio directamente debajo del dispensador de detergente. Para abrillantar los artículos oscurecidos, frote con una esponja de lana de acero jabonosa. Para cacerolas muy oscurecidas, cueza a fuego lento un alimento ácido o una solución de 2 cucharaditas (10 ml) de cremor tártaro por 1 L (1 cuarto de galón) de agua durante media hora. Frote con una esponja de lana de acero jabonosa, enjuague y seque.

**Los mangos de los cuchillos** se aflojan cuando el cemento es dañado por la exposición al agua muy caliente. Haga una prueba lavando un solo cuchillo durante varias semanas. Los cuchillos dañados deberán ser pegados de nuevo por un profesional.

## Evitando llamadas de servicio

Antes de llamar para obtener servicio, examine esta lista. Puede ahorrarle tiempo y dinero. Esta lista incluye los problemas comunes que no son el resultado de una fabricación o materiales defectuosos de este lavavajillas.

### ¿Problemas de ruido?

Es normal que oiga ruidos silbantes o de pulsaciones. Estos sonidos significan que el agua está circulando por el lavavajillas.

Es normal que oiga el ruido del motor antes de que el agua entre en la cavidad.

El ruido fuerte de golpes normalmente significa que algo está golpeando el brazo de lavado. Vea **Preparación y colocación de los platos**.

Los sonidos de vibraciones o traqueteo pueden significar que los platos están tocándose unos a otros. Vea **Preparación y colocación de los platos**.

### ¿Problemas de funcionamiento?

Asegúrese de que la puerta esté bien cerrada. Es normal que el lavavajillas se detenga entre cada ciclo.

### ¿Fugas?

Asegúrese de que no haya nada que sobresalga del lavavajillas impidiendo así que la puerta se cierre y se trabase debidamente. Use un detergente granulado nuevo para lavavajillas para evitar el exceso de espuma.

¿Agua que sale de los orificios de ventilación de la puerta? Cuando añada un plato una vez que el lavavajillas ha comenzado a funcionar, espere unos segundos antes de trabar la puerta. Esto permite la expansión lenta del aire frío que ha entrado en el lavavajillas.

### ¿Los platos no se secan?

Compruebe que el dispensador del agente para enjuague no necesita ser relleno. La temperatura del agua caliente puede ser demasiado baja (mínimo 49°C [120°F]). Si usa la opción de NO HEAT DRY (NO SECADO POR CALOR), puede necesitar tiempo adicional de secado con la puerta abierta.

### ¿Agua en la cavidad?

Es normal que haya una pequeña cantidad de agua en el fondo de la cavidad. Esto mantiene lubricado el sello hermético.

### ¿Queda detergente en el recipiente?

El detergente puede estar demasiado viejo. Deseche el detergente viejo. Utilice uno nuevo.

Puede ser que los platos no estén bien colocados. Asegúrese de que los artículos no sobresalgan de la parte delantera de la rejilla inferior impidiendo que se abra el recipiente para el detergente.

# Table des matières

Consignes de sécurité.....	30
Caractéristiques.....	31
Fonctionnement de l'appareil.....	32
Préparation et chargement de la vaisselle.....	33-34
Distributeurs et de détergents.....	35-36
Facteurs affectant le rendement.....	36
Entretien et nettoyage.....	37-38
Installation de panneaux en bois.....	38
Branchement du lave-vaisselle mobile.....	39
Solutions aux problèmes d'utilisation courante.....	40-41
Dépannage .....	41
Garantie.....	42
Services Sears.....	Dernière de couverture

Dans l'espace ci-dessous, inscrivez les numéros complets du modèle et de série, et la date d'achat. Vous pouvez trouver cette information sur l'étiquette des numéros de modèle et de série, à l'emplacement indiqué dans la section Fonctionnement de l'appareil de ce livret. Munissez-vous de cette information pour obtenir de l'aide rapidement lorsque vous contactez Sears au sujet de votre électroménager.

Numéro de modèle: 587. \_\_\_\_\_

Numéro de série: \_\_\_\_\_

Date d'achat: \_\_\_\_\_

## Caractéristiques

Votre appareil lave la vaisselle en vaporisant un mélange de détergent et d'eau chaude sur les surfaces sales par les bras gicleurs. Chaque cycle commence par une vidange. Le lave-vaisselle se remplit ensuite d'eau en recouvrant toute la surface de filtre. Ainsi l'eau est pompée à travers le filtre et les bras gicleurs. La saleté s'écoule avec l'eau vidangée et est remplacée par de l'eau propre. Le nombre de remplissages d'eau varie selon le cycle utilisé.

## Contrats de protection principaux

*Félicitations! Vous avez fait un bon achat. Votre nouvel appareil Kenmore® est conçu et fabriqué dans le but de vous offrir plusieurs années d'utilisation sans tracas. Cependant, comme tout appareil, il peut nécessiter un entretien préventif ou des réparations occasionnelles. C'est pourquoi un contrat de protection principal peut vous permettre d'épargner de l'argent et vous éviter des problèmes.*

Le contrat de protection principal contribue également à prolonger la durée de vie de votre nouvel appareil. Voici ce que couvre le contrat\* :

- Les pièces et la main-d'oeuvre** requises pour le fonctionnement adéquat de l'appareil **dans des conditions d'utilisation normales**, pas seulement pour les défauts. Notre couverture vous offre **beaucoup plus que la simple garantie du produit**. Aucune franchise, aucune exclusion de défaillance fonctionnelle, **une véritable protection**.
- Un service professionnel** offert par une équipe de plus de **10 000 techniciens de service Sears autorisés**, ce qui signifie que votre appareil sera confié à une personne de confiance.
- Des appels de service illimités et un service à la grandeur du pays**, à tout moment, aussi souvent que vous le désirez.
- La garantie « anti-citron »**, vous assurant le remplacement de l'appareil couvert si quatre défaillances ou plus surviennent à l'intérieur de douze mois.
- Le remplacement de l'appareil** couvert s'il ne peut être réparé.
- Une vérification d'entretien préventive annuelle** sur demande et sans frais.
- Un service d'aide téléphonique rapide**, appelé « **Résolution rapide** », qui vous permet de bénéficier du soutien téléphonique d'un représentant Sears pour tous les produits. Nous sommes votre « **guide d'utilisation parlant** ».
- Une protection contre les surtensions** pour les dommages électriques causés par des fluctuations électriques.
- Une couverture annuelle de 250 \$ pour la perte d'aliments** à la suite de toute détérioration d'aliments résultant d'une défaillance mécanique d'un réfrigérateur ou d'un congélateur couvert.
- Le remboursement de la location**, si la réparation de l'appareil couvert prend plus de temps que prévu.
- Un rabais de 10 %** sur le prix régulier de tout service de réparation non couvert et les pièces installées qui en découlent.

Une fois le contrat acheté, un simple appel téléphonique suffit pour obtenir un service de réparation. Vous pouvez téléphoner à toute heure du jour ou de la nuit, ou prendre rendez-vous en ligne pour une réparation.

Le contrat de protection principal est un achat sans risque. Si, pour quelque raison que ce soit, vous annulez le contrat durant la période de garantie du produit, vous serez remboursé en totalité. En cas d'annulation après la période de garantie du produit, vous recevrez un remboursement calculé au prorata. Procurez-vous votre contrat de protection principal dès aujourd'hui!

**Certaines restrictions et exclusions s'appliquent. Si vous êtes aux États-Unis et que vous désirez connaître les prix et obtenir de plus amples renseignements, téléphonez au 1 800 827-6655.**

**\* Au Canada, la couverture de certains articles peut varier. Pour connaître tous les détails, communiquez avec Sears Canada au 1 800 361-6665.**

### Service d'installation Sears

Pour bénéficier du *service d'installation professionnel de Sears* pour électroménagers, ouvre-portes de garage, chauffe-eau et autres appareils domestiques importants, aux États-Unis et au Canada, téléphonez au **1 800 4-MY-HOME**.

# Consignes de sécurité importantes

## ⚠ AVERTISSEMENT

Ce symbole vous avertit de certains dangers tels que blessures, brûlures, incendie et décharge électrique.

## ⚠ AVERTISSEMENT

Pour réduire les risques d'incendie, de décharge électrique ou de blessure lorsque vous utilisez votre lave-vaisselle, suivez les précautions élémentaires suivantes:

- Lire toutes les instructions avant d'utiliser le lave-vaisselle.
- Utiliser uniquement le lave-vaisselle de la manière expliquée dans ce guide d'utilisation.
- Ce Guide d'utilisation et d'entretien ne couvre pas toutes les circonstances et les situations possibles. Il faut faire preuve de jugement et de prudence pendant l'installation, l'utilisation et l'entretien de tout appareil électroménager.
- **LE LAVE-VAISSELLE DOIT ÊTRE RELIÉ A LA TERRE.** Lire les instructions d'installation pour plus de détails.
- Ce lave-vaisselle est conçu pour fonctionner sur une alimentation électrique standard (120 V, 60 Hz). Utiliser un circuit pourvu d'un fusible ou d'un disjoncteur de 15 ampères. Utiliser un fusible de 20 ampères si le lave-vaisselle est relié à un broyeur à déchets.
- N'utiliser le lave-vaisselle que si les panneaux extérieurs sont correctement en place.
- Enlevez la porte sur le compartiment de lavage en enlevant un vieux lave-vaisselle du service ou en le jetant.
- Ne pas laisser les enfants ou les bébés à proximité du lave-vaisselle en marche.
- Ne pas laisser les enfants manipuler sans précaution la porte ou les paniers du lave-vaisselle, jouer avec les pièces, s'asseoir ou se tenir debout dessus.
- N'utiliser que les détergents et les produits de rinçage recommandés pour l'utilisation dans un lave-vaisselle.
- Ranger les détergents et produits de rinçage pour lave-vaisselle hors de portée des enfants.
- Ne pas laver d'articles en plastique à moins

qu'ils ne portent une note précisant qu'ils conviennent au lave-vaisselle ou une note équivalente. Si aucune note n'est fournie, vérifier auprès du fabricant. Les objets qui ne conviennent pas au lave-vaisselle peuvent fondre et présenter un risque d'incendie.

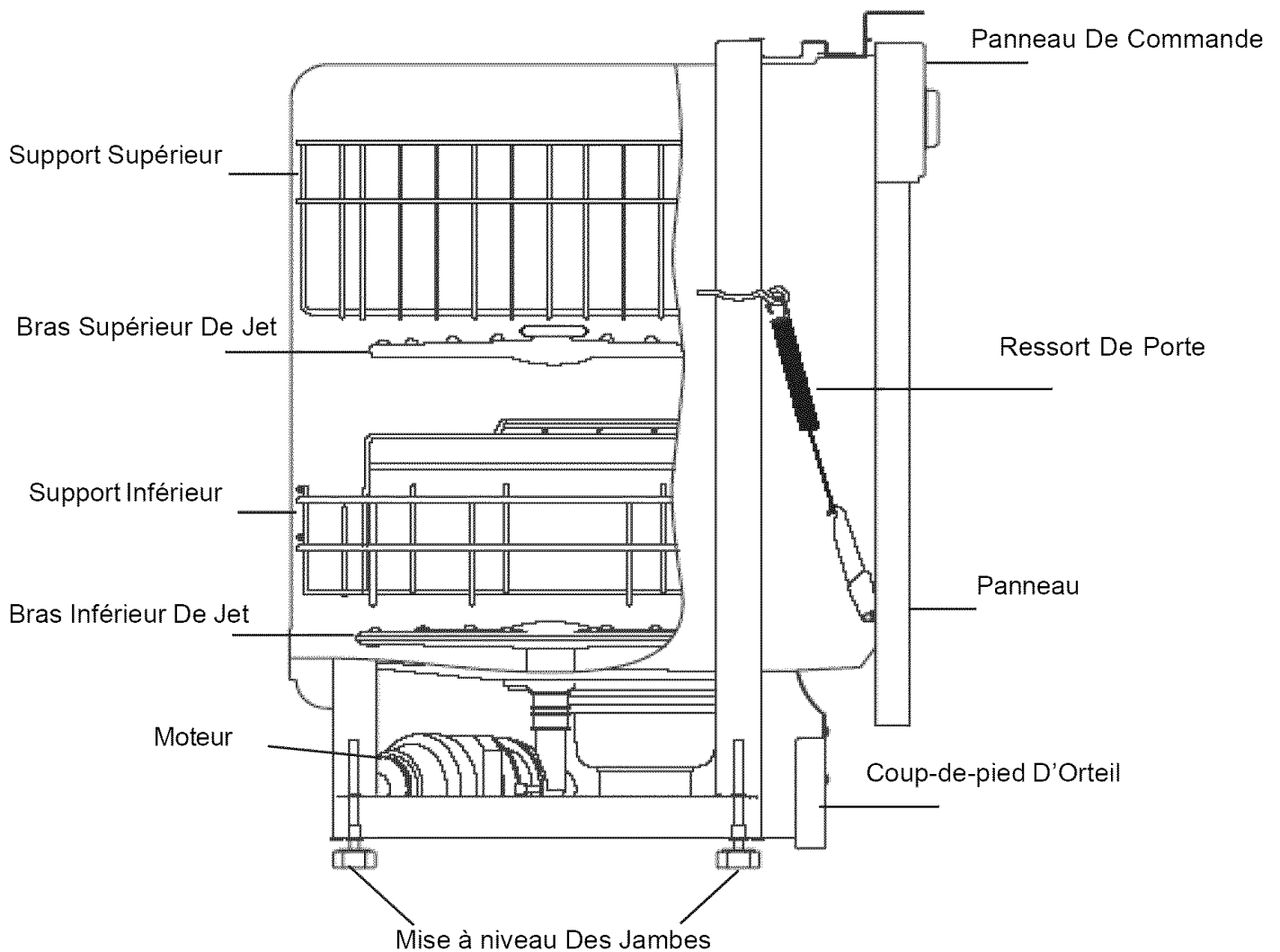
- Si l'eau du lave-vaisselle s'écoule dans un broyeur à déchets, s'assurer que ce dernier est vide avant de faire fonctionner le lave-vaisselle.
- Toujours débrancher l'alimentation électrique avant de réparer le lave-vaisselle.
- Les réparations doivent être effectuées par un technicien qualifié.
- Ne pas modifier les réglages.
- Ne pas toucher l'élément chauffant durant ou immédiatement après utilisation.
- Pour ranger les articles dans le lave-vaisselle:
  - Ranger les couteaux et articles pointus pour qu'ils ne risquent pas d'endommager le joint de la porte ou la cuve.
  - Placer les couteaux et articles pointus, manches vers le haut pour réduire le risque de coupures.
- Dans certaines circonstances, de l'hydrogène peut s'accumuler dans les canalisations d'eau chaude lorsque celles-ci demeurent inutilisées pendant deux semaines ou plus. **L'HYDROGÈNE EST UN GAZ EXPLOSIF.** Si la canalisation d'eau n'a pas été utilisée depuis au moins deux semaines, ouvrir tous les robinets d'eau chaude et laisser couler pendant plusieurs minutes avant d'utiliser le lave-vaisselle. De cette façon, toute trace d'hydrogène est purgée de la canalisation. **L'HYDROGÈNE EST UN GAZ INFLAMMABLE.** Ne pas fumer ni approcher de flamme nue pendant la purge de la canalisation.
- Ne pas ranger ou utiliser de matériaux combustibles, de l'essence ou d'autres types de vapeurs ou de liquides inflammables à proximité de cet appareil ou de tout autre type d'appareil.

FRANÇAIS

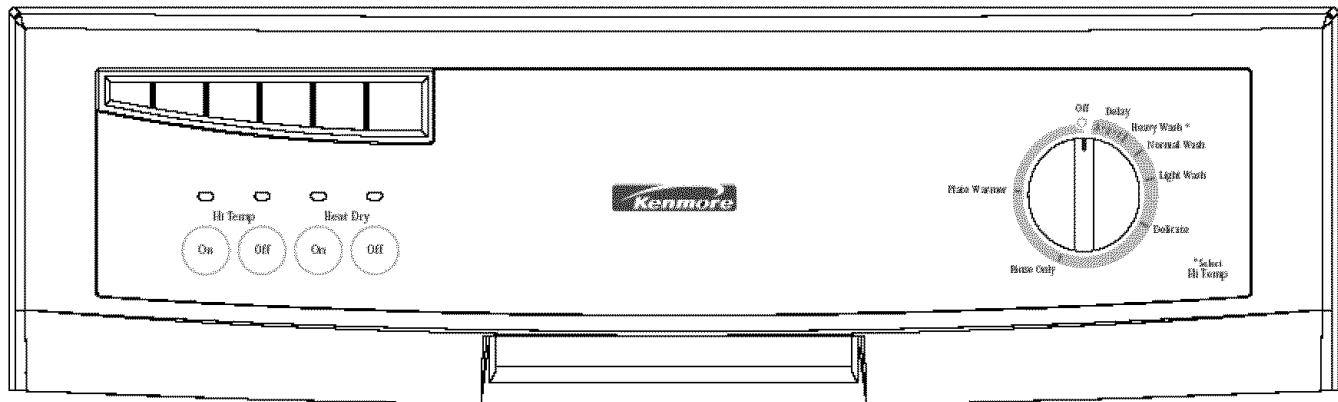
**CONSERVER  
CES CONSIGNES**

# Caractéristiques du lave-vaisselle

Votre lave-vaisselle, illustré ci-dessous, lave la vaisselle et les ustensiles en faisant gicler un mélange d'eau chaude et de détergent depuis les bras de lavage contre les surfaces souillées. Chaque cycle démarre par une vidange. Par la suite, le lave-vaisselle se remplit jusqu'à la hauteur de l'élément chauffant. L'eau est ensuite pompée, sans interruption, par le bras gicleur rotatif et la tourelle centrale et est propulsée sur la vaisselle. L'eau sale est pompée par le tuyau d'écoulement et remplacée par de l'eau propre. Le nombre de remplissages d'eau dépend du cycle sélectionné.



# Fonctionnement de l'appareil



## Démarrage

1. Vérifiez Le Filtre (Voir Le Filtre De Nettoyage)
2. Charger le lave-vaisselle (voir Préparation et chargement de la vaisselle).
3. Ajoutez le détergent (voir Distributeurs et détergents).
4. Ajoutez le produit de rinçage, si nécessaire (voir Produits de rinçage).
5. Sélectionnez le cycle (CYCLE) désiré (voir Tableau des cycles).
6. Choisissez les OPTIONS désirées.
7. Pour les instructions du branchement du lave-vaisselle mobile, voir Branchement et débranchement du lave-vaisselle mobile/adaptable en page 11.
8. Ouvrir le robinet d'eau chaude situé le plus près du lave-vaisselle pour purger l'eau froide du tuyau. Fermer le robinet.
9. Pour démarrer le lave-vaisselle, fermer la porte à fond.

**Tableau des cycles**

Cycles	Description	Pour sélectionner le cycle	Eau (approx.)	Durée* (approx.)	Lavages/rinçages
<b>Très sale</b> (Heavy Wash)	Pour la vaisselle et les ustensiles très sales.	<ul style="list-style-type: none"> <li>• Enfoncer le bouton HEAVY WASH.</li> <li>• Sélectionner les OPTIONS qui conviennent.</li> </ul>	36,4 litres	143 mn*	2 lavages 5 rinçages
<b>Lavage normal</b> (Normal Wash)	Pour la vaisselle et les ustensiles moyennement sales.	<ul style="list-style-type: none"> <li>• Enfoncer le bouton NORMAL WASH.</li> <li>• Sélectionner les OPTIONS qui conviennent.</li> </ul>	19,8 litres	128 mn*	2 lavages 4 rinçages
<b>Lavage Léger</b> (Light Wash)	Pour la vaisselle et les ustensiles peu sales ou rincés au préalable.	<ul style="list-style-type: none"> <li>• Enfoncer le bouton LIGHT WASH.</li> <li>• Sélectionner les OPTIONS qui conviennent.</li> </ul>	16,5 litres	112 mn*	2 lavages 3 rinçages
<b>Rinçage d'attente</b> (Rinse Hold)	Pour rincer la vaisselle qui ne sera lavée que plus tard.	<ul style="list-style-type: none"> <li>• N'UTILISEZ PAS de détergent.</li> <li>• Sélectionner l'option COOL DRY.</li> <li>• Tournez le bouton des cycles jusqu'à RINSE HOLD.</li> </ul>	3,4 litres	20 mn	1 rinçages
<b>Délicate</b> (Delicate)	Para levemente soiled y platos delicados pre-aclarados.	<ul style="list-style-type: none"> <li>• Enfoncer le bouton DELICATE.</li> <li>• Sélectionner les OPTIONS qui conviennent.</li> </ul>	13,2 litres	80 mn*	2 lavages 2 rinçages
<b>Réchauffeur De Plat</b> (Plate Warmer)	Pour les plats de chauffage et les plats servants avant les nourritures chaudes de portion.	<ul style="list-style-type: none"> <li>• Chargez les plats propres et les plats à chauffer</li> <li>• Tournez le cadran au RÉCHAUFFEUR de PLAT</li> <li>• Serrez L'Option SÈCHE CHAUDE.</li> </ul>			

\* Comprend le temps de séchage.

FRANÇAIS

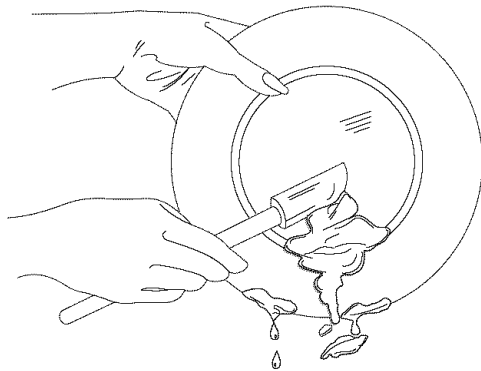
# Préparation et chargement de la vaisselle

## Préparation de la vaisselle

Il n'est pas nécessaire de rincer la vaisselle avant de la placer dans le lave-vaisselle. Gratter et enlever simplement les gros morceaux de nourriture, les os, les noyaux de fruits, pépins, etc qui restent sur la vaisselle. Vider les verres et les tasses. Il peut être nécessaire de faire tremper ou de frotter légèrement les dépôts d'aliments brûlés ou incrustés.

Les aliments comme la moutarde, la mayonnaise, le vinaigre, le jus de citron et les produits à base de tomate peuvent causer une décoloration de l'acier inoxydable et du plastique s'ils restent trop longtemps sur la vaisselle. A moins que le lave-vaisselle ne soit mis en marche tout de suite, il est préférable de rincer la vaisselle pour enlever les dépôts de ces aliments.

- Charger la vaisselle face au centre du panier de façon à ce que l'eau qui sort du bras gicleur et de la tourelle puisse atteindre les surfaces sales.
- Charger les paniers de telle sorte que les ustensiles les plus gros n'empêchent pas le distributeur de détergent de s'ouvrir pendant le cycle de lavage.
- Consulter les directives du fabricant avant de charger en machine des ustensiles qui peuvent présenter un risque.
- Si l'eau du lave-vaisselle est déversée dans un broyeur d'aliments, **s'assurer que le broyeur est entièrement vide avant de démarrer le lave-vaisselle.**
- Pour économiser de l'énergie, attendre que le lave-vaisselle soit plein avant de le mettre en marche.
- Pour de meilleurs résultats, charger la vaisselle correctement et ne pas surcharger le lave-vaisselle.



## Options D'Énergie

### Option de lavage haute température

Lorsque l'option de lavage haute température HI-TEMP WASH est sélectionnée, le lave-vaisselle réchauffe l'eau à environ 140 °F (60 °C). Le cycle de lavage se poursuit mais la minuterie ne se met en marche que lorsque la température adéquate est atteinte. L'eau plus chaude qu'offre cette option permet d'activer le détergent pour mieux déloger la graisse et la saleté de la vaisselle. L'option de lavage haute température HI-TEMP WASH peut être utilisée avec tous les cycles, à l'exception du cycle de rinçage sans lavage RINSE HOLD, et n'est pas recommandée avec le cycle CHINA (porcelaine).

Pour désactiver cette option, sélectionnez HI-TEMP WASH OFF (désactivation du lavage haute température).

### Option Sèche De chauffage

L'option de séchage à chaud HEAT DRY permet d'assécher rapidement la vaisselle pendant le cycle de séchage grâce à un élément chauffant.

L'option de séchage à chaud HEAT DRY, combinée à un agent de rinçage, vous procurera d'excellents résultats de séchage. La consommation d'énergie de l'option de séchage à chaud HEAT DRY ne coûte que quelques cents par cycle. Vous pouvez choisir de ne pas utiliser l'option de séchage à chaud HEAT DRY. Cependant, certains articles de votre vaisselle ne seront pas tout à fait secs à la fin du cycle.

Que vous sélectionniez cette option ou non, il est possible de voir de la vapeur s'échapper de l'évent pendant le cycle de lavage et/ou de séchage. Sur certains modèles, l'évent est fermé pendant le lavage afin de conserver l'humidité à l'intérieur et par souci d'insonorisation, puis s'ouvre lorsque le cycle de séchage débute.

L'option de séchage peut être modifiée en tout temps pendant le cycle; dans ce cas, seul le cycle de séchage est modifié.

# Préparation et chargement de la vaisselle suite

## Chargement du panier supérieur

**Verres et tasses**—Placer les verres et les tasses en angle contre les tiges extérieures du panier. Les tasses à fond concave retiennent l'eau.

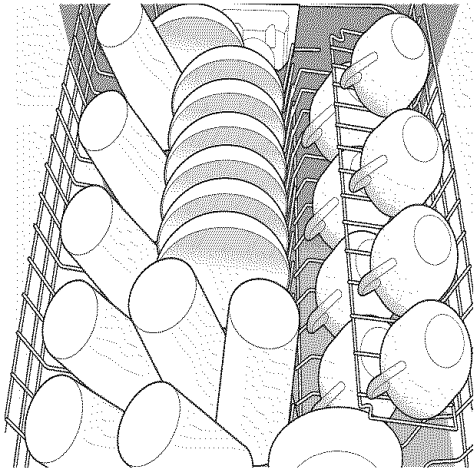
**Petites assiettes et soucoupes**—Placer les assiettes entre les deux rangées centrales des tiges du panier.

**Ustensiles en plastique**—Les ustensiles en plastique doivent être placés dans le panier supérieur pour éviter qu'ils ne fondent.

**Bols**—Placer les bols entre les deux rangées de tiges du panier, face vers le bas.

**Petits ustensiles**—Placer les couteaux et les ustensiles à long manche dans le panier supérieur.

**Tablette pour tasses**—La tablette pour tasses peut être abaissée au dessus des petits articles (verres, tasses, etc.) de façon à utiliser au maximum l'espace. Lorsque la tablette est utilisée, alterner les articles entre l'étage du haut et celui du bas pour que l'eau atteigne toutes les surfaces.

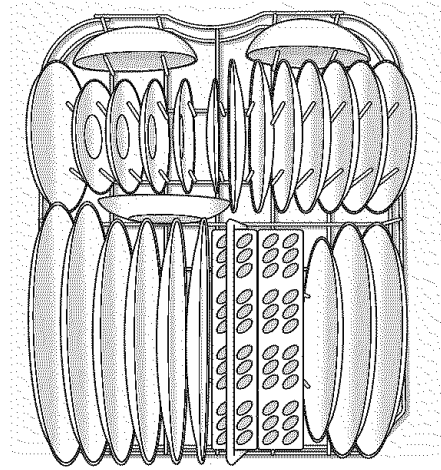


## Chargement du panier inférieur

**Grandes assiettes et plats**—Placer ces ustensiles entre les tiges du panier, face souillée vers le bas.

**Bols, cocottes et couvercles**—Charger ces ustensiles face sale vers le bas ou inclinés vers le centre du lave-vaisselle. Le passage de l'eau est de meilleure qualité lorsque ces articles sont légèrement inclinés.

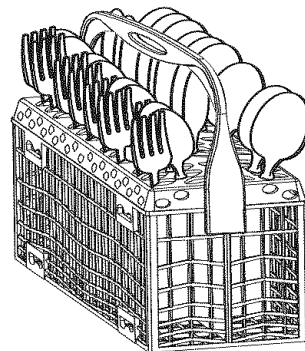
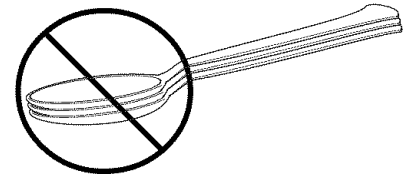
**Grandes casseroles**—Placer ces ustensiles face vers le bas et en angle. S'assurer que les poignées des casseroles ne passent pas à travers le fond du panier car elles bloqueraient la rotation du bras de lavage. Pour que les gros articles n'empêchent pas le distributeur de détergent de s'ouvrir, il est préférable de les charger sur le côté et non pas sur le devant du lave-vaisselle.



## Chargement du panier à ustensiles

Pour votre sécurité, placer les couteaux affûtés manche vers le haut. S'assurer qu'aucun ustensile ne passe à travers le fond du panier principal ou du panier à ustensiles, ce qui pourrait entraver la rotation du gicleur d'eau.

Mélanger les ustensiles différents pour qu'ils ne s'accollent pas. L'eau ne peut pas atteindre les surfaces collées.



## Ajout d'un article

1. S'assurer qu'il reste au moins un cycle de lavage complet pour que les ustensiles ajoutés au début du cycle soient correctement lavés et rincés.
2. Déverrouiller la porte et attendre que l'eau cesse de circuler.
3. Ouvrir la porte et ajouter l'article.
4. Fermer la porte à fond et poursuivre le cycle.

# Distributeurs et détergents

## Remplissage du distributeur de détersif

Le distributeur de détersif est muni d'un godet fermable et d'un autre découvert. Le détersif dans le godet découvert tombe dans le lave-vaisselle dès que la porte se ferme. Le godet fermable s'ouvre automatiquement durant le lavage principal.

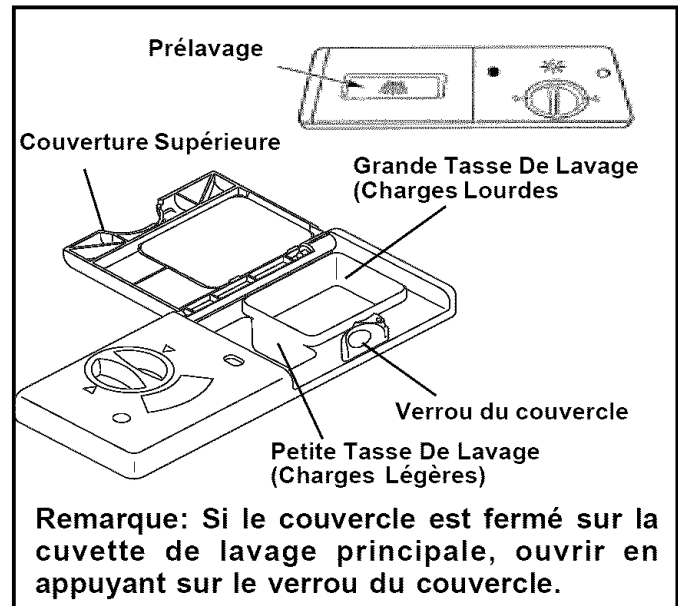
- Utiliser uniquement un détergent neuf pour lave-vaisselle automatique. D'autres types de détergent peuvent provoquer une formation de mousse excessive.
- Si l'on utilise les tablettes de détergent pour lave-vaisselle, il suffit de placer une tablette dans le godet principal de détergent et de fermer ce godet.
- Ajouter du détergent avant de commencer le cycle.
- Ranger le détergent dans un endroit frais et sec. Un détergent qui a pris l'humidité et qui s'est solidifié ne se dissout pas complètement.
- Ne remplissez pas les deux tasses de lavage, à moins que vous ayez l'eau très calcaireuse, voir le diagramme ci-dessous.

### ⚠ ATTENTION

L'utilisation d'un détergent industriel peut endommager le serpentin et d'autres pièces du lave-vaisselle, entraînant ainsi des dommages à l'appareil et aux biens qui l'entourent. Utilisez uniquement des détergents à lave-vaisselle ménagers.

## Quelle quantité de détergent utiliser

La quantité de détergent à utiliser dépend de la dureté de l'eau. La dureté de l'eau est mesurée en grains par gallon. Lorsque la quantité de détergent est insuffisante, les résultats de lavage peuvent être insatisfaisants, et l'eau dure peut laisser un film ou des taches sur la vaisselle. L'utilisation d'une trop grande quantité de détergent dans l'eau douce peut entraîner la formation d'un film permanent par suite d'attaque par le détergent. La compagnie des eaux, la compagnie d'adoucisseurs de votre région ou les services publics de la municipalité peuvent vous fournir la dureté de l'eau de votre secteur.



## Guide d'utilisation de détergent

Cycle	Eau douce (0-3 grains)	Eau moyennement dure (4-8 grains)	Eau dure (9-12 grains)	Eau très dure* (plus de 12 grains)
Très Sale (Heavy Wash) Lavage Normal (Normal Wash)	1.5 cuillerées à thé (chaque godet – rempli au 1/4)	4 cuillerées à thé (chaque godet – rempli jusqu'au repère au-dessus de «Regular»)	6 cuillerées à thé (chaque godet – entièrement rempli)	Chaque godet – entièrement rempli (adoucisseur d'eau recommandé)
Lavage Léger (Light Wash)	1.5 cuillerées à thé (godet de lavage principal – rempli au 1/4)	4 cuillerées à thé (godet de lavage principal – rempli jusqu'au repère au-dessus de «Regular»)	6 cuillerées à thé (godet de lavage principal – entièrement rempli)	Godet de lavage principal – entièrement rempli (adoucisseur d'eau recommandé)
Rinçage d'attente (Rinse Hold)	Pas de détergent	Pas de détergent	Pas de détergent	Pas de détergent (adoucisseur d'eau recommandé)

\*Remarque: Dans le cas d'eau très dure, le détergent seul peut ne pas être suffisant. Il est recommandé d'ajouter un adoucisseur d'eau pour améliorer la qualité de l'eau et les performances de lavage. Essayer d'ajouter du détergent au commencement de la portion lavage principal du cycle. En règle générale, utiliser une cuillère à thé pour chaque grain au-dessus de 12. Déverrouiller la porte, ouvrir lentement et ajouter du détergent au fond de la cuve. Fermer la porte pour la verrouiller et le lave-vaisselle continuera le cycle.

# Distributeurs et détergents suite

## Produit de rinçage

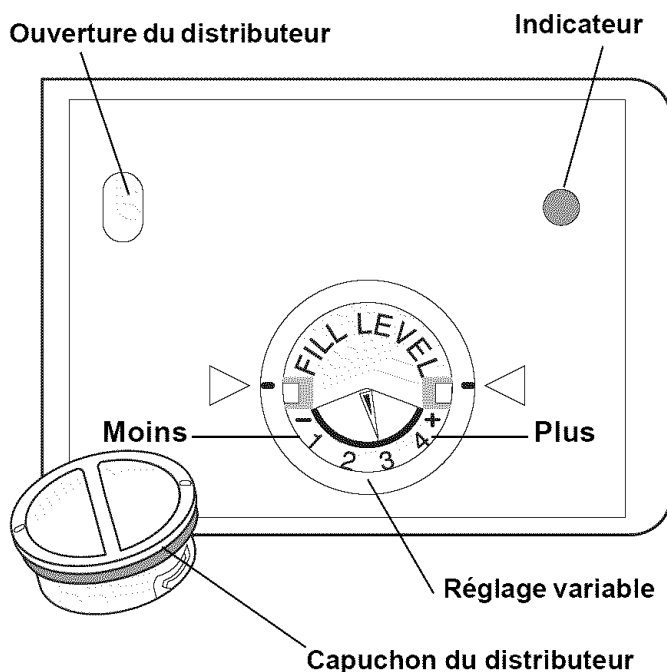
Les produits de rinçage améliorent le séchage et réduisent les taches et les films d'eau. L'eau glisse sur la vaisselle et ne forme pas de gouttelettes qui s'accrochent en laissant des taches sur les ustensiles.

Le distributeur est situé près du godet à détergent et libère automatiquement une quantité précise de produit lors du rinçage final. En cas de mauvais séchage, augmenter la quantité de produit de rinçage en tournant le bouton sur un chiffre plus élevé. Le bouton est situé sous le capuchon du distributeur. L'indicateur est foncé lorsque le distributeur est plein et clair lorsqu'il est temps de le remplir.

Pour ajouter le produit de rinçage liquide, tourner le capuchon du distributeur d'1/4 de tour à gauche et le sortir. Verser le produit de rinçage jusqu'à ce que le liquide arrive au niveau de remplissage indiqué. Remettre le capuchon.

Ne pas trop remplir, ceci risquerait d'entraîner un excès de mousse. Essuyer tout produit renversé avec un linge humide.

Le distributeur contient du liquide pour environ 35 à 140 lavages selon le réglage choisi.



# Facteurs affectant le rendement

## Température de l'eau

La qualité du lavage et du séchage dépend de la température de l'eau. L'eau pénétrant dans le lave-vaisselle doit être à 49 °C (120 °F) pour obtenir des résultats satisfaisants. Le rendement est encore meilleur lorsque l'eau est à 60 °C (140 °F). Elle ne doit toutefois pas dépasser 66 °C (160 °F). Vérifier la température du chauffe-eau.

Pour vérifier la température de l'eau pénétrant dans le lave-vaisselle, ouvrir le robinet d'eau chaude le plus proche du lave-vaisselle pendant plusieurs minutes de manière à purger l'eau froide de la canalisation. Placer un verre sous le robinet et mesurer la température de l'eau recueillie à l'aide d'un thermomètre à bonbon ou à viande.

Si la température est au-dessous de 120°F (49°C), demandez à une personne qualifiée d'augmenter le réglage du thermostat.

Ne pas mettre le lave-vaisselle en marche pendant ou juste après une utilisation importante d'eau chaude, telle qu'une lessive ou un bain.

**Important: Avant de démarrer un cycle, ouvrez le robinet d'eau chaude pour purger l'eau froide de la canalisation.**

# Entretien et nettoyage



**Extérieur**—Laver de temps en temps à l'aide d'un détergent doux et de l'eau. Rincer et sécher.

- L'intérieur du lave-vaisselle se nettoie automatiquement en utilisation normale.

Pour nettoyer l'acier inoxydable, essuyez dans le sens des stries.

Utilisez un détergent pour lave-vaisselle afin de prévenir l'apparition de taches et la décoloration.

**N'UTILISEZ JAMAIS** de produits contenant de javellisant ou de l'acide citrique.

Si l'eau dure provoque des dépôts de calcaire, laver selon les instructions suivantes:

**Important: le moteur du lave-vaisselle est lubrifié une fois pour toutes à l'usine et n'a pas besoin d'être graissé.**

## Entretien de l'intervalle d'air

Si un intervalle d'air a été installé sur votre lave-vaisselle encastrable, s'assurer qu'il reste propre pour que l'eau soit correctement drainée hors du lave-vaisselle. L'intervalle d'air est habituellement installé sur la table de travail et il est facile de vérifier son bon état en retirant le couvercle. L'intervalle d'air ne fait pas partie du lave-vaisselle et n'est pas couvert par la garantie.

## Déstéarisation

Un lave-vaisselle rangé dans un endroit non chauffé doit être protégé du gel. Faites appel à du personnel qualifié pour effectuer les tâches suivantes :

### Pour mettre l'appareil hors service :

1. Coupez l'alimentation du lave-vaisselle en retirant le fusible ou en déclenchant le disjoncteur du panneau principal.
2. Fermez le robinet d'arrivée d'eau.
3. Placez un bac sous le robinet d'arrivée d'eau. Débranchez la conduite du robinet d'arrivée d'eau et vidangez l'eau dans le bac.
4. Débranchez le tuyau de vidange de la pompe et faites s'écouler l'eau dans le bac.

**Remarque** : Reportez-vous aux instructions d'installation pour obtenir davantage de détails.

### Pour remettre l'appareil en service :

1. Rebranchez la conduite d'eau, le tuyau de vidange et l'alimentation électrique.
2. Ouvrez le robinet d'arrivée d'eau et mettez l'appareil sous tension.
3. Remplissez les deux godets de détergent, puis faites fonctionner le lave-vaisselle au cycle normal (NORMAL WASH).
4. Vérifiez tous les raccordements pour vous assurer qu'il n'y a aucune fuite.

**Remarque** : Reportez-vous aux instructions d'installation pour obtenir davantage de détails.

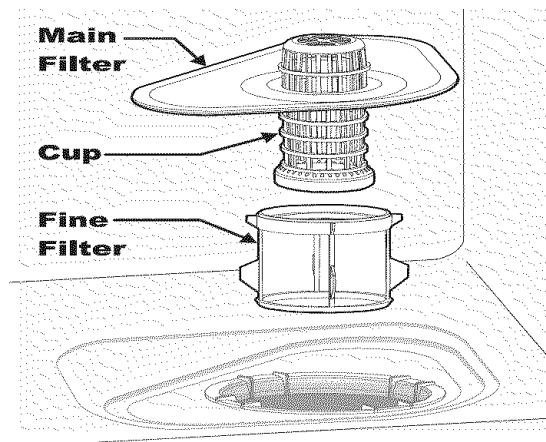
# Entretien et nettoyage suite

## ⚠ ATTENTION

### Risques de dommage matériel

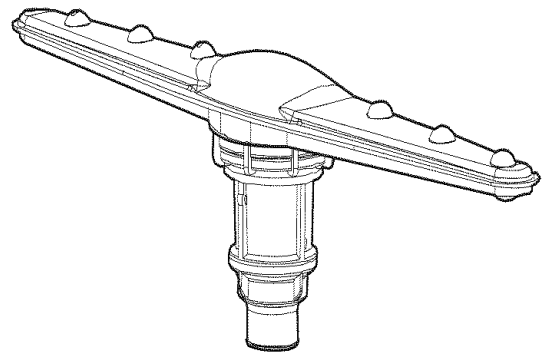
Des températures de gel peuvent provoquer des fuites de conduites d'eau. Assurez-vous que toutes les conduites d'eau au lave-vaisselle et ses canalisations intérieures sont protégées.

Dans le cas contraire, il pourrait résulter des dommages matériels.



### Nettoyage du filtre

Pour l'exécution optimale, votre lave-vaisselle est équipé d'un ensemble filtre comportant un filtre principal, une tasse et le filtre fin comme montré dans le schéma ci-dessus. Tous les fragments de nourriture sont enlevés du lave-vaisselle pendant que l'eau traverse l'ensemble filtre. Chaque pièce de l'assemblée devrait être nettoyée souvent pour s'assurer que tous les fragments de nourriture sont enlevés des plats. Pour enlever des fragments de nourriture de l'ensemble filtre, les filtres doivent être enlevés du lave-vaisselle. Pour enlever les filtres, tirez vers le haut sur le bord du filtre principal. Après, rincez le filtre principal et le filtre fin sous l'eau courante. Le nettoyage avec une brosse peut également être nécessaire pour enlever tous les fragments emprisonnés dans les filtres. Une fois que le nettoyage a été accompli, rassemblez simplement le filtre comme montré dans le schéma ci-dessus. Pour s'assurer que le filtre est entièrement posé, appuyez svp sur le dessus du filtre principal. **L'utilisation du lave-vaisselle sans filtre correctement installé n'est pas recommandée car elle réduira l'efficacité de nettoyage et peut endommager le dishwasher.**



### Nettoyage du bras de lavage

Le bras de lavage doit être nettoyé afin de s'assurer que les gicleurs et les paliers ne sont pas obstrués par les produits chimiques contenus dans l'eau dure.

Pour enlever le bras de jet tenez simplement le bras de jet en place et tournez l'écrou de retenue dans le sens des aiguilles d'une montre et tirez vers le haut sur le bras de jet enlevant l'axe.

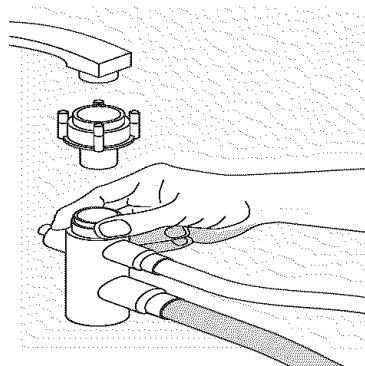
Pour nettoyer les gicleurs et les paliers du bras de lavage, utilisez de l'eau tiède savonneuse et une brosse souple.

Remplacer le bras spray a simplement placé le bras de jet sur l'axe, prend l'écrou de retenue et le tourne contre- dans le sens des aiguilles d'une montre jusqu'à ce qu'il ait fermé à clef en place.

# Branchement et débranchement du lave-vaisselle mobile

Le lave-vaisselle mobile doit être connecté à un robinet et branché à une prise électrique à chaque utilisation. Suivre les directives données ci-dessous pour brancher correctement ce lave-vaisselle.

## Adaptateur de robinet (Figure A)

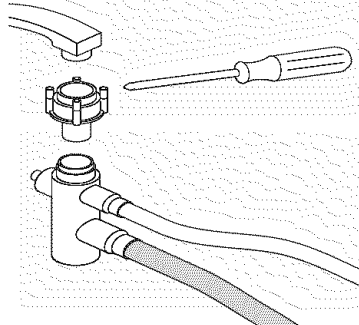


## IMPORTANT: S'assurer que la porte est fermée à fond avant de déplacer le lave-vaisselle.

Le cordon d'alimentation, le raccord de robinet et les tuyaux se trouvent dans un espace de rangement situé à l'arrière du lave-vaisselle. Il faut installer un raccord particulier avant de brancher le lave-vaisselle (Figure A)

1. Sortir l'adaptateur du sac de documentation qui accompagne l'appareil.
2. Dévisser l'aérateur du robinet.
3. Vérifier si le filetage du robinet se trouve sur l'intérieur ou sur l'extérieur du bec.
  - Si le filetage est *interne*, utiliser les deux rondelles en caoutchouc (l'une est mince, l'autre est épaisse).
  - Si le filetage est *externe*, utiliser uniquement la rondelle mince.
  - Si le robinet n'a aucun filetage, on peut se procurer un ensemble adaptateur avec directives de branchement à un robinet sans filetage dans la plupart des quincailleries.
4. Assembler le bec du robinet comme montré sur la figure A. S'assurer que les deux grilles en laiton se trouvent sous les rondelles en caoutchouc.

## Branchement de l'adaptateur de robinet du lave-vaisselle mobile (Figure B)



## Branchement du lave-vaisselle mobile

1. Ouvrir le robinet et laisser couler l'eau jusqu'à ce qu'elle soit chaude. Fermer le robinet.
2. Sortir les tuyaux de l'espace de rangement.
3. Abaisser la bague du raccord et glisser le raccord de robinet sur l'adaptateur de robinet (Figure B).
4. Lorsque le raccord est en place et s'enclenche, relâcher la bague.
5. Ouvrir lentement le robinet d'eau chaude à fond.
6. Brancher le cordon d'alimentation dans une prise raccordée à la terre.

## Débranchement du lave-vaisselle mobile

1. Quand le cycle est terminé, fermer l'eau chaude.
2. Enfoncer le bouton rouge du raccord pour faire baisser la pression d'eau.
3. Baisser la bague pour dégager le raccord.
4. Vider l'eau du raccord puis le remettre dans l'espace de rangement.
5. Débrancher le cordon d'alimentation et le remettre dans l'espace de rangement.

**⚠ AVERTISSEMENT**

**Risque de décharge électrique**

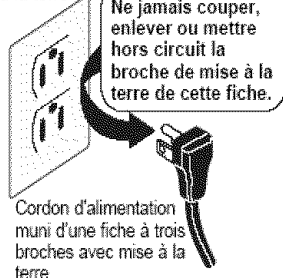
Évitez tout risque de feu ou de décharge électrique. N'utilisez pas d'adaptateur, de cordon de rallonge et n'enlevez pas la broche de terre du cordon électrique. Le non respect de cet avertissement peut entraîner de graves blessures, le feu, même la mort.

**IMPORTANT:** Le boyau de la douchette à légumes de l'évier peut se rompre sous l'effet de la pression d'eau constante. Si la douchette à légumes est installée sur la même conduite d'eau que le lave-vaisselle, l'utilisateur ne doit pas oublier de débrancher le boyau de la douchette à légumes et de rétablir la connexion.

## Branchement électrique du lave-vaisselle mobile

Une alimentation électrique de 120 volts AC, 60 Hz, 15 A est nécessaire. Par mesure de sécurité, le lave-vaisselle doit être branché à la terre. En cas de dérangement ou de panne, la mise à la terre réduit les risques d'électrocution. Le lave-vaisselle est équipé d'un cordon d'alimentation avec une fiche à trois broches de mise à la terre. Cette fiche doit être branchée dans une prise correspondante à trois trous de mise à la terre et installée conformément aux normes nationales de l'électricité et à toutes les normes et ordonnances locales.

Prise murale mise à la terre



Cordon d'alimentation muni d'une fiche à trois broches avec mise à la terre

# Solutions aux problèmes d'utilisation courante

**La vaisselle n'est pas propre**—Reportez-vous aux pages 36 à 40 pour davantage de renseignements concernant les cycles de lavage, le chargement du lave-vaisselle, la température de l'eau, la pression de l'eau, la dureté de l'eau la quantité de détergent, les détergents trop vieux et inadaptés et le placement de la vaisselle. Pour maximiser l'exécution de lavage nettoyez le filtre de toutes les grandes particules de nourriture après chaque lavage. Pour s'assurer que vous nettoyez le filtre correctement référez-vous à la page 12.

**La vaisselle ne sèche pas**—Ce problème peut rapidement trouver une solution en utilisant un produit de rinçage et de l'eau très chaude. L'eau chaude augmente la température de la vaisselle et accélère le séchage. Au moment du chargement de la vaisselle, placer les bols et les tasses à l'envers pour que l'eau puisse s'écouler. Éviter d'accoler les ustensiles. Si la vaisselle n'est pas complètement sèche en fin de cycle (ce qui peut se produire avec l'utilisation de l'option NO HEAT DRY), ouvrir la porte, tirer les paniers et laisser sécher à l'air ambiant.

**Taches**—Des taches se forment lorsque des gouttelettes d'eau pure s'évaporent et laissent un résidu. Ce problème est accentué par l'utilisation de détergent à faible teneur en phosphate. Pour éviter ce problème, utilisez de l'eau chaude et un détergent à haute teneur en phosphate (de préférence 8,7% ou plus) ou utilisez davantage de détergent à faible teneur en phosphate. N'oubliez pas d'utiliser un produit de rinçage. Si l'eau est très dure, il peut être nécessaire d'installer un adoucisseur d'eau. Charger les verres et les assiettes de façon à ce qu'ils se touchent les uns les autres le moins possible et qu'ils entrent le moins possible en contact avec les paniers et les tiges du lave-vaisselle. Ne pas surcharger le lave-vaisselle. Les taches se forment là où la vaisselle et les verres se touchent.

**Pellicules et stries**—Ce phénomène est normalement causé par de l'eau dure et une quantité insuffisante de détergent. Les détergents à faible teneur en phosphate peuvent également en être la cause. Pour régler ce problème, accroître la quantité de détergent, vérifier la température de l'eau et toujours utiliser un produit de rinçage. Si l'eau est très dure, il peut être nécessaire d'installer un adoucisseur d'eau.

**Pellicule blanchâtre sur les verres**—Cela se produit lorsqu'une trop grande quantité de détergent est utilisée dans de l'eau douce ou adoucie. Cette pellicule ne peut pas être enlevée. Ce problème se produit plus souvent sur le verre de plomb mou et le crystal de qualité. La formation d'une fine pellicule iridescente sur les verres est un signe précurseur de ce problème. Pour éviter cette formation de pellicule, s'assurer que le lave-vaisselle se remplit correctement d'eau. L'eau doit atteindre le niveau de l'élément chauffant. Si le niveau de l'eau est trop bas, faire vérifier la pression de l'eau par un plombier. Utiliser moins de détergent et s'assurer que la température de l'eau ne dépasse pas 66 °C (150 °F). Ne pas charger le lave-vaisselle au maximum pour que le rinçage soit complet. Utiliser l'option NO HEAT DRY.

**Vaisselle et verres ébréchés**—Cela peut se produire lorsque la manipulation est brusque ou que le chargement n'est pas correctement effectué. Ne pas mettre les verres en contact direct avec d'autres ustensiles. Placer les verres contre les tiges du panier pour qu'ils soient correctement calés.

**Porcelaine ancienne et poterie craquelées**—Cela se produit lorsque ces articles sont soumis à des températures trop élevées. Les craquelures (fines rayures sur le vernis) ne peuvent plus s'enlever une fois qu'elles sont apparues. Éviter de laver de nouveau ces articles en lave-vaisselle car le problème pourrait s'aggraver.

**Taches de café et de thé**—Cela peut se produire lorsque l'eau contient du fer. Pour éviter que ces taches ne se forment, rincer les tasses ayant contenu du thé ou du café immédiatement après usage, augmenter la quantité de détergent et utiliser un produit de rinçage. L'eau doit être à environ 60 °C (140 °F). Si le problème persiste, installer un adoucisseur d'eau équipé d'une option élimination de fer. Pour améliorer l'apparence des articles tachés, utiliser un produit pour éliminer la rouille et les dépôts calcaires.

**Taches brunes sur la vaisselle**—Ces taches peuvent être causées par la présence de magnésium dans l'eau. Pour éviter ce problème, installer un système de filtrage de magnésium sur l'arrivée d'eau.

**Taches rougeâtres sur la vaisselle et les verres**—Ces taches sont causées par la présence de fer dans l'eau. Pour éviter ce problème, augmenter la quantité de détergent, utiliser de l'eau à une température d'environ 60 °C (140 °F) ainsi qu'un liquide de rinçage. Il peut être nécessaire d'installer un adoucisseur d'eau avec un système d'élimination de fer. Pour améliorer l'apparence de la vaisselle, utiliser un produit pour éliminer la rouille et les traces de calcaire.

**Plastique**—Les articles en plastique peuvent fondre sous l'effet de températures élevées. Lire les étiquettes avant de charger en machine des ustensiles en plastique. Placer ces ustensiles dans le panier supérieur pour qu'ils soient le plus éloigné possible de l'élément chauffant.

**Décoloration du plastique**—Certains aliments comme la sauce tomate peuvent tacher le plastique. Pour retirer les taches, faire tremper les ustensiles dans une solution composée d'une cuillerée à soupe de détergent à lave-vaisselle et d'un litre d'eau chaude ou dans une solution composée de 120 ml (1/2 tasse) d'eau de javel et d'un litre d'eau chaude.

**Décoloration du motif ou de la bordure métallique**—causée par trop de lavages, de détergent et d'eau chaude. La plupart de la porcelaine fabriquée aujourd'hui est lavable au lave-vaisselle. Il serait préférable de laver à la main la porcelaine ancienne et la poterie peinte à la main.

## Solutions aux problèmes d'utilisation courante suite

**Ne pas placer de l'argenterie** à proximité d'ustensiles en acier inoxydable dans le panier à ustensiles. Cela pourrait attaquer les lames en acier inoxydable. (La plupart des couteaux en argent ont une lame en acier inoxydable. Ne pas laisser la lame des couteaux toucher d'autres ustensiles en acier inoxydable pendant le cycle du lavage.)

**Taches ternes sur l'argenterie**—Surviennent quand l'article est très usé et qu'il prend une teinte de bronze sous l'effet du contact avec de l'eau chaude et du détergent. Il est possible de retirer la teinte de bronze en faisant tremper l'ustensile pendant 10 minutes dans du vinaigre ou de le polir à l'aide d'un produit approprié pour argenterie. Pour une protection permanente, refaire plaquer l'argenterie.

**Ternissement de l'argenterie**—Peut être causé par une exposition prolongée à l'air ou à des éléments contenant du soufre, comme des oeufs, de la mayonnaise et des fruits de mer. L'exposition à du détergent non dissous peut également être à l'origine du ternissement. Pour éviter ce problème, rincer l'argenterie rapidement après utilisation. Prendre soin de ne pas verser de détergent directement sur l'argenterie. Retirer la ternissure à l'aide d'un produit pour argenterie.

**Décoloration de l'acier inoxydable**—Les résidus alimentaires peuvent former une pellicule ou causer une décoloration. Pour éviter ce problème, rincer sans attendre les ustensiles en acier inoxydable. Les pellicules de nourriture peuvent être enlevées à l'aide d'un nettoyeur pour acier inoxydable ou d'un nettoyeur doux. Rincer à fond.

**Marques sur acier inoxydable**—Causées par un contact prolongé avec des grains de détergent et les aliments comme le sel, la mayonnaise, les fruits, le beurre ou le lait. Pour éviter ce problème, rincer rapidement après usage. Ne pas laisser de détergent entrer directement en contact avec les ustensiles en acier inoxydable.

**Décoloration de l'aluminium**—L'aluminium anodisé (coloré) ne peut être lavé en machine. La perte de la couleur qui se produit au cours du lavage est permanente. Les autres types d'aluminium peuvent prendre une teinte plus foncée lorsqu'ils sont lavés à la machine. Pour diminuer les risques de décoloration, ne pas placer l'aluminium directement en dessous du distributeur de détergent. Pour redonner de l'éclat aux articles ternis, les récurer avec un tampon à récurer et du savon. En ce qui concerne les casseroles très ternies, faire mijoter un aliment acide ou une solution composée de 10 ml (2 c. à café) de crème de tartre par litre d'eau pendant 1/2 heure. Récurer à l'aide d'un tampon à récurer savonneux, rincer et sécher.

**Poignées de couteaux branlantes**—Causé par l'exposition du ciment à de l'eau très chaude. Tester en lavant un seul couteau pendant plusieurs semaines. Les couteaux endommagés doivent être réparés par un professionnel.

## Dépannage

Avant de faire appel à un technicien, consulter la liste des troubles les plus fréquemment rencontrés. Cela peut vous épargner du temps et de l'argent. Cette liste porte sur des troubles d'utilisation courante qui ne sont causés ni par un défaut de fabrication ni par un matériau défectueux.

### *Problème de bruit?*

Les bruissements et les pulsations sont des bruits normaux. Ils signifient simplement que l'eau circule dans le lave-vaisselle.

Il est normal d'entendre des bruits de moteur avant que l'eau ne rentre dans la cuve.

Des claquements forts indiquent généralement qu'un ustensile frappe le bras du gicleur. Reportez-vous à la section **Préparation et chargement de la vaisselle**.

Les vibrations et cliquetis peuvent indiquer que les articles se touchent. Consulter la section **Préparation et chargement de la vaisselle**.

### *Problème de fonctionnement?*

S'assurer que la porte est bien fermée. Il est normal que le lave-vaisselle s'arrête entre les cycles.

### *Fuite?*

Vérifier que les ustensiles ne dépassent pas du lave-vaisselle et n'empêchent pas la porte de se fermer ou de s'enclencher à fond. Pour éviter la formation de mousse excessive, n'utiliser que du détergent frais pour lave-vaisselle automatique. De l'eau s'échappe par les orifices d'aération? Lorsqu'un plat est ajouté après le démarrage du lave-vaisselle, attendre quelques secondes avant de fermer à fond la porte. Cela permet à l'air froid qui pénètre dans le lave-vaisselle de se répandre lentement à l'intérieur de la cuve.

### *La vaisselle n'est pas sèche?*

Vérifier que le distributeur de produit de rinçage n'a pas besoin d'être rempli. La température de l'eau chaude peut être trop basse (49 °C ou 120 °F au minimum). Lorsque l'on utilise l'option NO HEAT DRY, il peut être nécessaire de laisser la porte ouverte pendant un certain temps pour permettre à la vaisselle de sécher.

### *De l'eau reste dans la cuve?*

Il est normal qu'il reste un peu d'eau dans le fond de la cuve. Cela protège le joint de l'étanchéité.

### *Il reste du détergent dans le distributeur?*

Le détergent peut être trop vieux. Jeter le détergent trop vieux. Utiliser du détergent frais.

La vaisselle peut avoir été mal chargée. S'assurer qu'aucun ustensile ne dépasse sur le devant du panier inférieur car cela pourrait empêcher le distributeur de s'ouvrir.

# Get it fixed, at your home or ours!

## Your Home

For repair – in your home – of all major brand appliances, lawn and garden equipment, or heating and cooling systems, **no matter who made it, no matter who sold it!**

For the replacement parts, accessories and owner's manuals that you need to do-it-yourself.

For Sears professional installation of home appliances and items like garage door openers and water heaters.

**1-800-4-MY-HOME<sup>®</sup>** (1-800-469-4663)

Call anytime, day or night (U.S.A. and Canada)

[www.sears.com](http://www.sears.com)    [www.sears.ca](http://www.sears.ca)

*For expert home solutions advice: [www.managemyhome.com](http://www.managemyhome.com)*

---

## Our Home

For repair of carry-in items like vacuums, lawn equipment, and electronics, call or go on-line for the location of your nearest

### Sears Parts & Repair Service Center

**1-800-488-1222** (U.S.A.)    **1-800-469-4663** (Canada)

Call anytime, day or night

[www.sears.com](http://www.sears.com)    [www.sears.ca](http://www.sears.ca)

---

To purchase a protection agreement on a product serviced by Sears:

**1-800-827-6655** (U.S.A.)

**1-800-361-6665** (Canada)

---

Para pedir servicio de reparación a domicilio, y para ordenar piezas:

**1-888-SU-HOGAR<sup>®</sup>**

(1-888-784-6427)

Au Canada pour service en français:

**1-800-LE-FOYER<sup>MC</sup>**

(1-800-533-6937)

[www.sears.ca](http://www.sears.ca)

