

LIMITED LIFETIME WARRANTY

*To obtain Service, please contact or call PATRIOT LIGHTING® Service Department:
1-800-887-6326, 9 a.m.- 5 p.m. central time.*

Model No.: # 355-0706

The limited lifetime warranty covers this ceiling fan, for residential use by the original purchaser, against defects in material or workmanship as follows:

If your PATRIOT LIGHTING® Ceiling Fan motor fails at any time during the lifetime of the original purchaser due to defects in material or workmanship, we will provide a replacement part free of charge.

If your Fan motor fails at any time within one year after the original date of sale to the original purchaser due to defects in material or workmanship, we will provide labor to repair the defect, with the exception of take down/reinstallation, free of charge. The original purchaser will be responsible for all labor costs after this one year period.

If no replacement parts are provided for any part of your Fan motor that fails at any time during your lifetime due to defects in material or workmanship, we will refund the original purchase price of your Fan.

If your Fan blades, remote controller / pull chain switch, reverse switch, or any accessory, except glass globes and light bulbs, fails at any time within one year after the original date of purchase due to a defect in material and workmanship, we will repair or, if we choose, replace the defective blades, switch, or accessory free of charge, with the exception of take down/reinstallation services.

If the original purchaser ceases to own the Fan, this warranty and any implied warranty, including but not limited to any implied warranty of merchantability or fitness for a particular purpose, become void. This warranty and any implied warranty, including but not limited to any implied warranty of merchantability or fitness for a particular purpose, do not cover glass globes, light bulbs, or finish on any metal portions of the Fan.

This warranty is in lieu of express warranties. The duration of any implied warranty of merchantability or fitness for a particular purpose, with respect to any PATRIOT LIGHTING® Ceiling Fan motor, blades, switch, or accessories, is expressly limited to the period of the express warranty set forth above for such motor, blades, switch, or accessories.

This warranty excludes defects, malfunctions, or failures of any PATRIOT LIGHTING® Fan that are caused by repairs by persons not authorized by us, use of parts or accessories not authorized by us, mishandling, improper installation, modifications or damage to the Fan while in your possession, or unreasonable use, including failure to provide necessary maintenance.

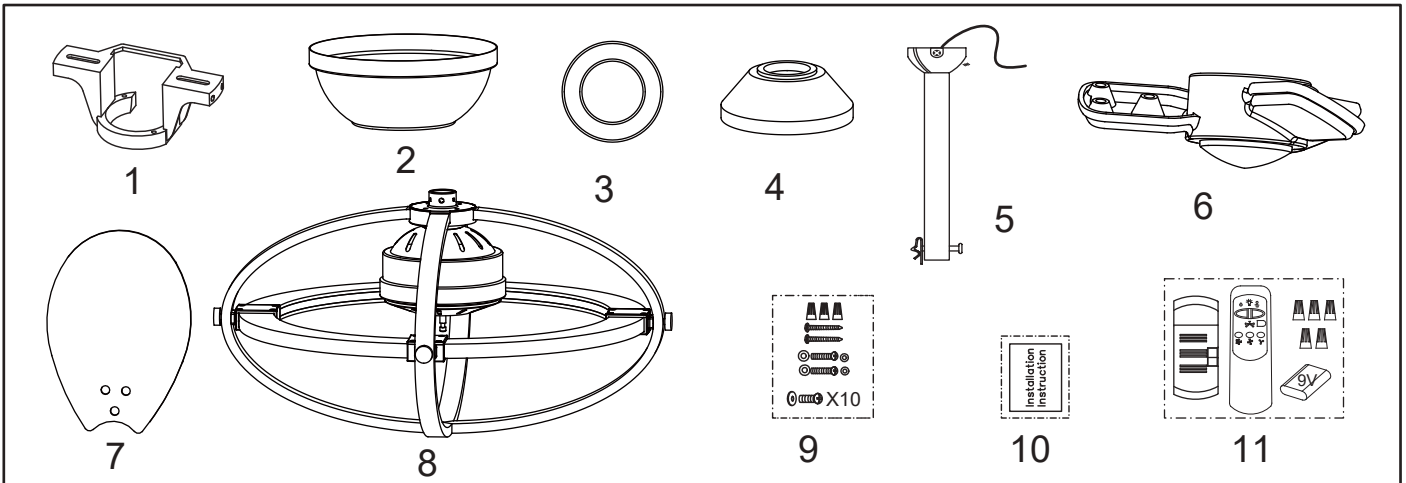
To obtain service, contact PATRIOT LIGHTING® Service Department at 1-800-887-6326, 9AM-5PM CST. You will be responsible for all insurance and freight or other transportation charges to our factory or service center. A copy of sales receipt is required in order to obtain service. We will return your Fan freight prepaid. Your Fan should be properly packed to avoid damage in transit, for we will not be responsible for any such damages.

In no event shall PATRIOT LIGHTING® Fan be liable for consequential or incidental damages.

Some states do not allow the exclusion or limitation of consequential or incidental damages, in which case the above limitation or exclusion may not apply.

This warranty gives you specific legal rights and you may also have other rights which vary from state to state.

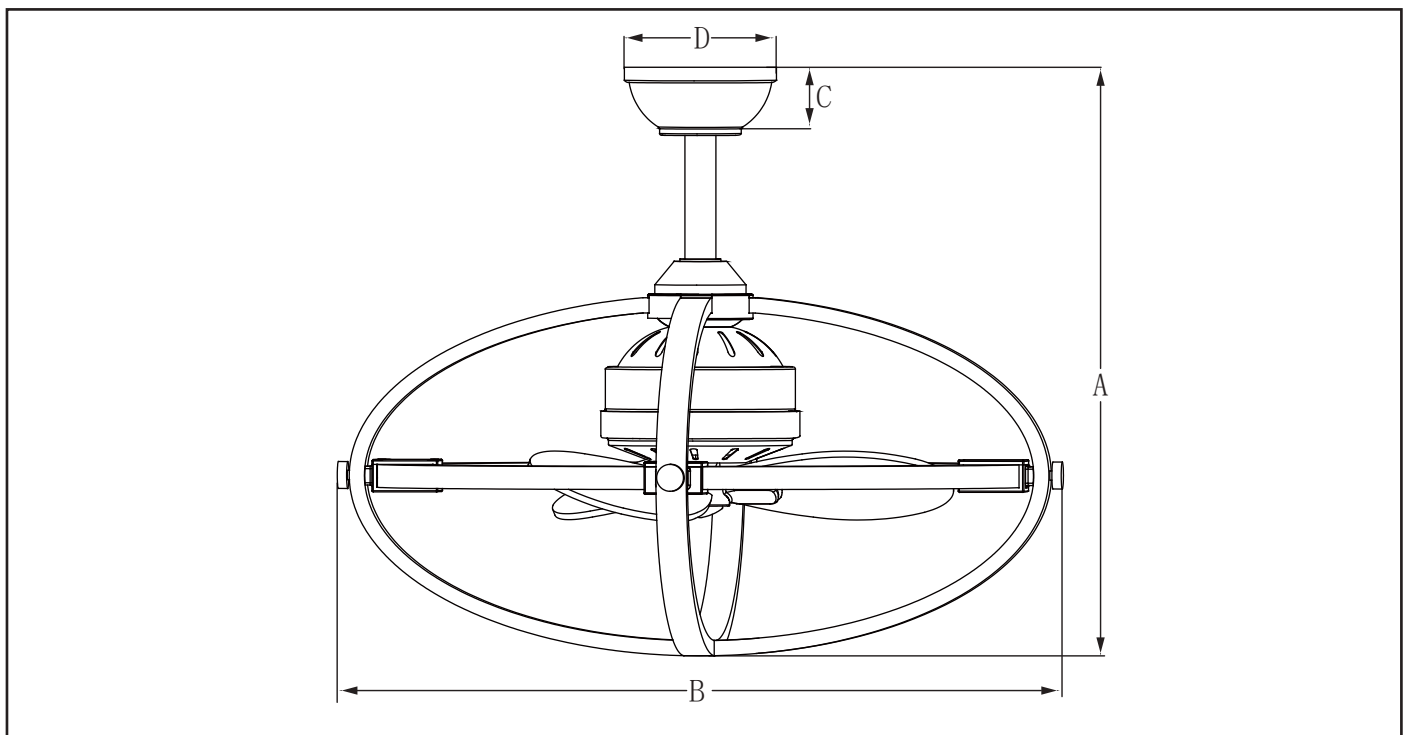
Package Contents:



Unpack your fan and check the contents. You should have the following items.

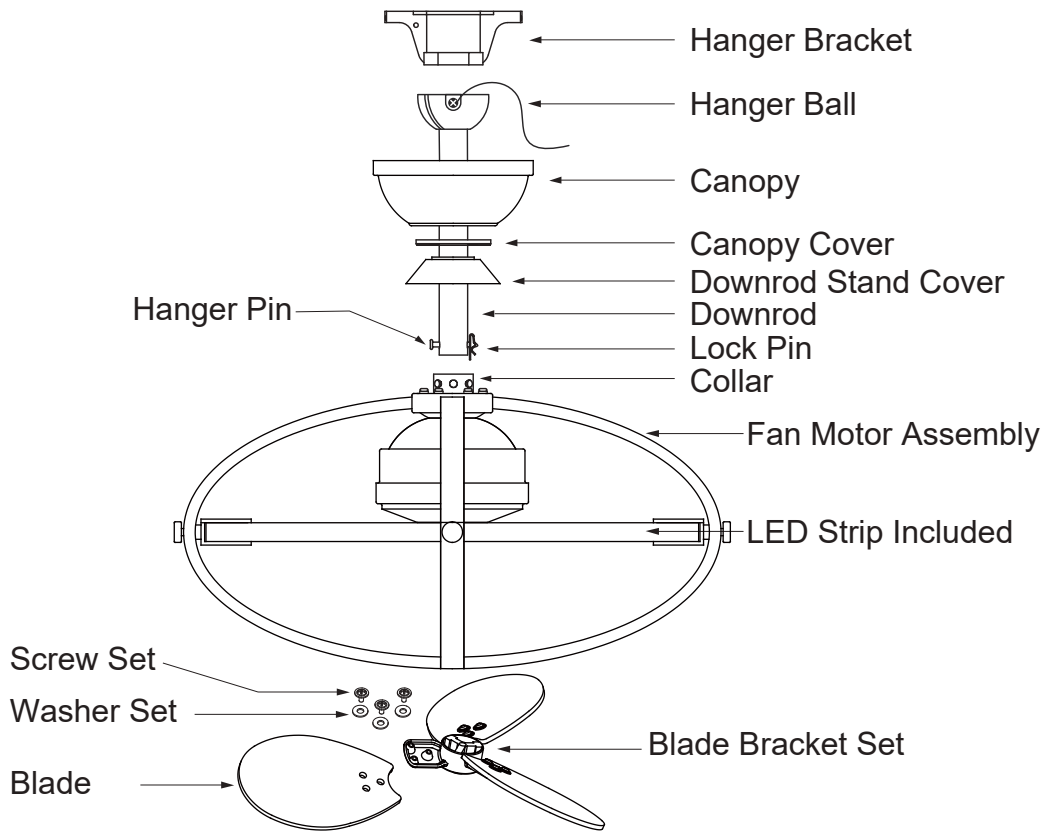
- 1.) Hanger Bracket
- 2.) Canopy
- 3.) Canopy Cover (Comes in a separate bag)
- 4.) Downrod Stand Cover
- 5.) Downrod Set (Includes Hanger Ball, 6" Downrod, Hanger Pin & Lock Pin)
- 6.) Blade bracket Set
- 7.) Fan Blade (3 PCS)
- 8.) Fan Motor Assembly
- 9.) Assembly Kit
- 10.) Installation Instructions
- 11.) Remote Control Set (Includes Transmitter & Receiver & Wire Connector & Battery)

Dimension Reference (Installed with 6" Downrod):

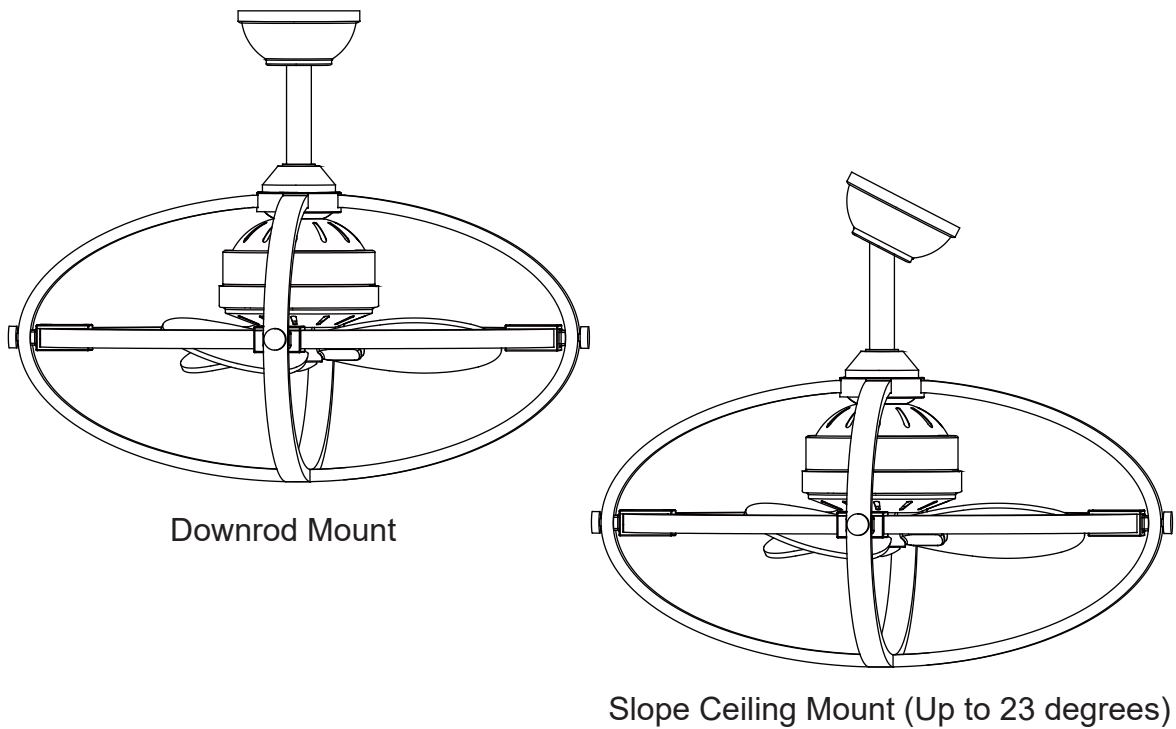


A. 19-3/4" B. 22" C. 2" D. 5"

Exploded View Detail



Dual Mount Drawing



Safety Instructions

READ ALL SAFETY INFORMATION AND INSTALLATION INSTRUCTIONS BEFORE YOU BEGIN TO INSTALL THE FAN AND SAVE INSTRUCTIONS.

- All set screws of the fan must be checked and retightened where necessary before installation.
- To reduce the risk of personal injury, do not bend the blade brackets when installing the brackets, balancing the blades or cleaning the fan. Do not insert foreign objects between rotating fan blades.
- Before changing the fan direction, turn off the fan and wait for the fan blades to stop completely.
- The safeguards provided by these safety instructions and by the separate installation instructions are not meant to cover all possible conditions and situations that may occur. It must be understood that common sense, caution and care are factors which can not be built into this product. These factors must be supplied by the person(s) installing, caring for and operating the fan.

WARNING

- TO AVOID RISK OF ELECTRIC SHOCK, BE SURE TO SHUT OFF POWER AT THE MAIN FUSE OR CIRCUIT BREAKER BOX BEFORE INSTALLING OR SERVICING THIS FIXTURE. TURNING OFF THE ELECTRICAL POWER BY USING THE LIGHT SWITCH IS NOT SUFFICIENT TO PREVENT ELECTRICAL SHOCK.
- TO REDUCE THE RISK OF INJURY, INSTALL THE FAN SO THAT THE BLADES ARE AT LEAST 7 FEET (2.1 METERS) ABOVE THE FLOOR AND AT LEAST 18 INCHES (0.5 METERS) FROM THE TIP OF THE BLADES TO THE WALL.
- TO REDUCE THE RISK OF FIRE, ELECTRIC SHOCK, OR PERSONAL INJURY, MOUNT TO OUTLET BOX MARKED "ACCEPTABLE FOR FAN SUPPORT" AND USE MOUNTING SCREWS PROVIDED WITH THE OUTLET BOX.
- THE INSTALLATION HAS TO BE IN ACCORDANCE WITH THE NATIONAL ELECTRICAL CODE, ANSI/NFPA 70-1999 AND LOCAL CODES. IF YOU ARE UNFAMILIAR WITH THE METHODS OF INSTALLING ELECTRICAL WIRING, SEEK THE SERVICES OF A QUALIFIED LICENSED ELECTRICIAN.

INSTALLATION INSTRUCTIONS

IMPORTANT:

- BEFORE YOU BEGIN INSTALLING THE FAN, CAREFULLY READ ALL INFORMATION IN THE SAFETY INSTRUCTIONS AND INSTALLATION INSTRUCTIONS. IF IN DOUBT, CONSULT A QUALIFIED ELECTRICIAN.
- SAVE ALL INSTRUCTIONS.

NOTE: The fan weight is 15.87 lbs (7.2 kg). Be sure the outlet box you are using is securely attached to the building structure and can support the full weight of the fan. Failure to do so can result in serious injury.

Installation Steps :

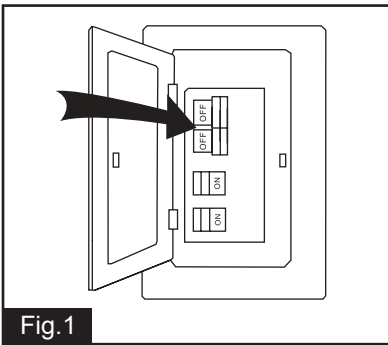


Fig.1

Turn OFF the electric circuit at the main fuse or circuit breaker box.

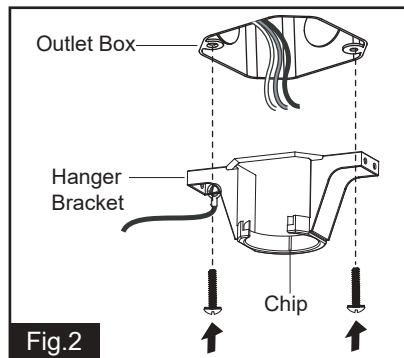


Fig.2

Tighten the hanger bracket to the outlet box with 2 mounting screws. (To reduce the risk of fire, electric shock, or personal injury, mount to the outlet box marked "Acceptable for fan support" and use mounting screws provided with the outlet box.)

Note: For slope ceiling installation, make sure that the chip of the hanger bracket is toward the floor.

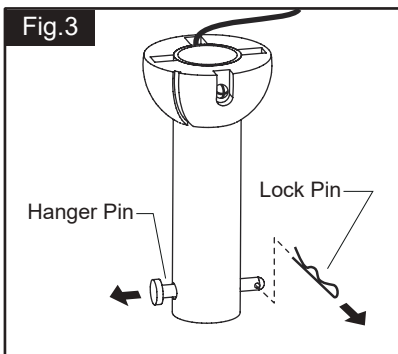


Fig.3

Remove the Lock Pin and take off the Hanger Pin.

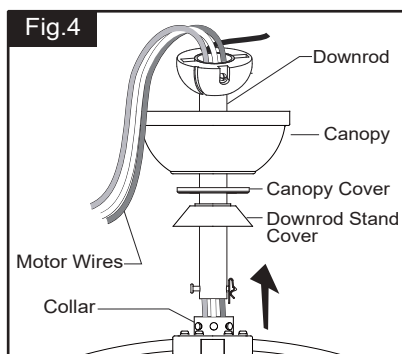


Fig.4

Slide canopy, canopy cover (Making sure the smooth side of canopy cover is facing downward.), and downrod stand cover onto downrod, as shown; then thread motor wires through downrod.

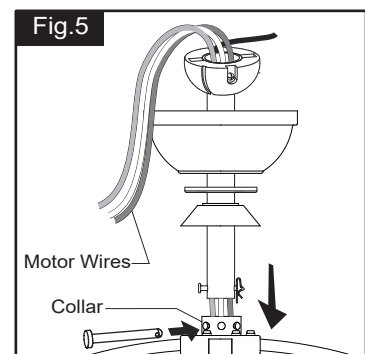


Fig.5

Loosen the collar screws out part way. Insert the Downrod into the Collar. Slide Hanger Pin through holes of Collar and Downrod.

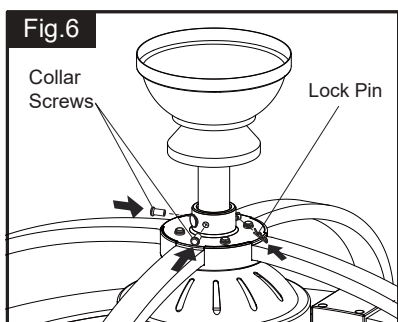


Fig.6

Tighten the two Collar Screws. Slide Lock Pin into Hanger Pin until it is locked into position.

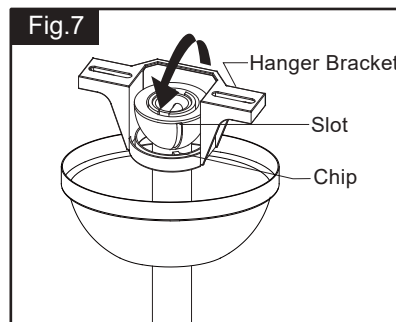
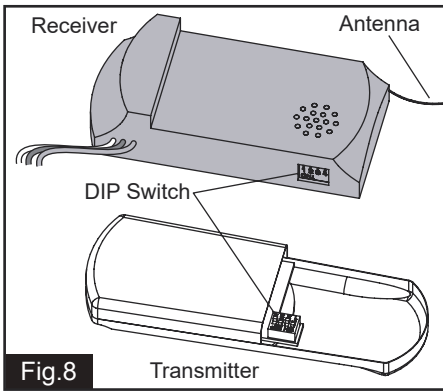


Fig.7

Hang fan on hanger bracket, and rotate the downrod until the chip on the hanger bracket snaps into the slot on the hanger ball.

Note: For slope ceiling installation, make sure the slot of hanger ball and the chip of hanger bracket are toward the floor.



There is a code switch in the transmitter and receiver. This "DIP Switch" is a 4 key unit (Fig.8). All keys were set at "ON" position in the beginning. Set the keys to a different code. Make sure the same numbered keys are switched "ON" for both DIP Switches (Fig.8a). Take note that the "ON" position may have different orientation in each.

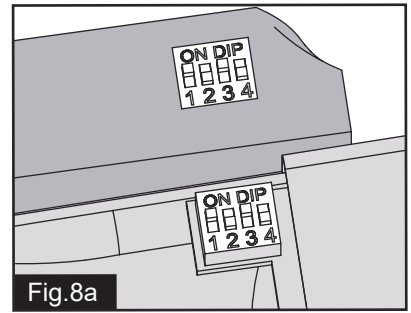
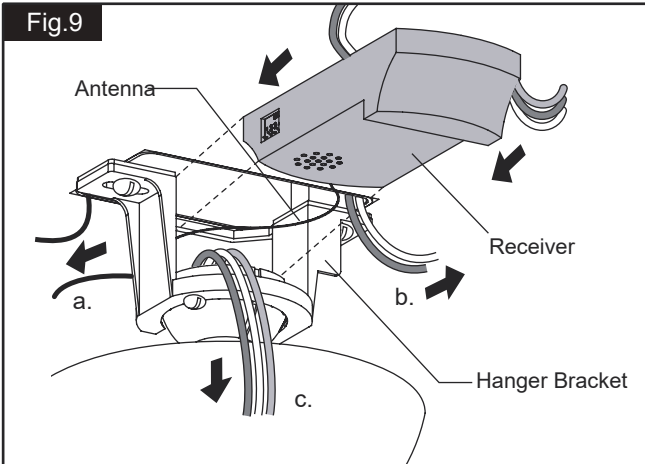


Fig.8a

Code example:

1-ON 2-OFF 3-ON 4-OFF on both DIP Switches.

Note: If you have two ceiling fans with 2 remote control units, set 2 different codes for each set of transmitter / receivers.



Move Ground Wires (a), Outlet Box wires (b), and Motor Wires (c) away from the center of the Hanger Bracket. Then slide Receiver through Hanger Bracket as shown, Antenna end first, until it is centered. Finally, cut Motor Wires (c) to length needed for connections.

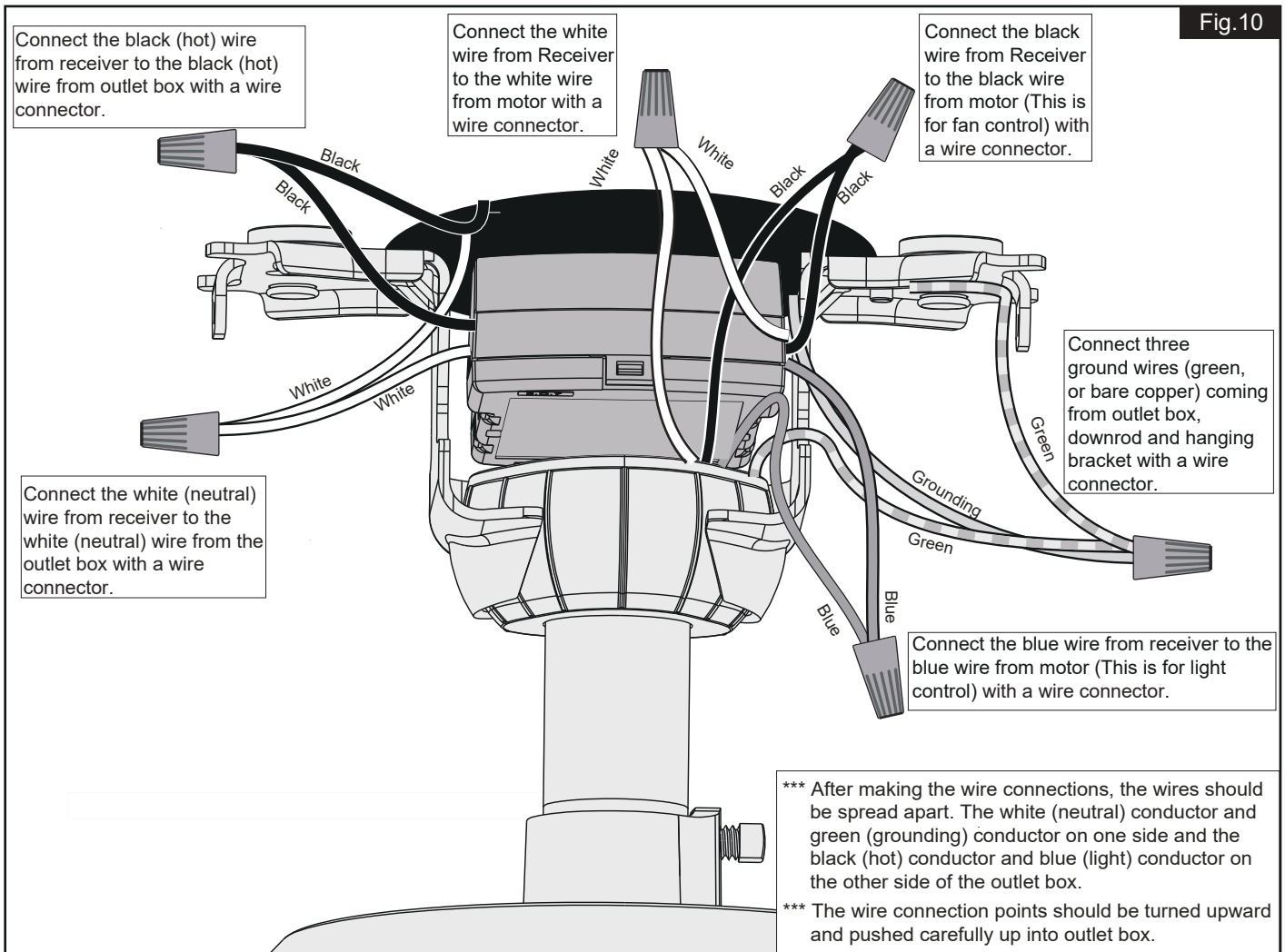
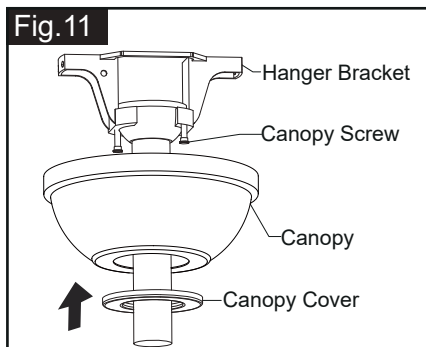
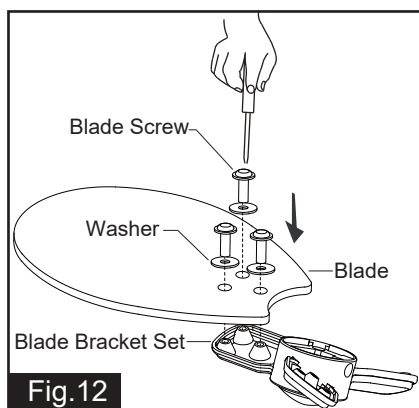


Fig.10

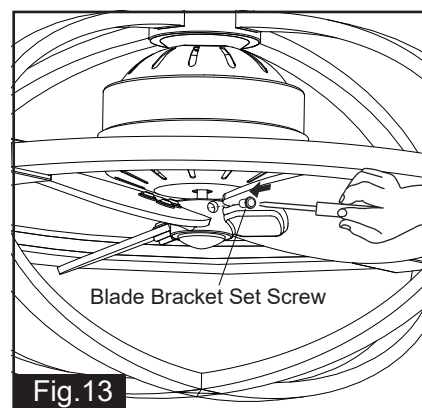


Slide the canopy up to ceiling and over the two canopy screws on hanger bracket. Rotate canopy clockwise, next, while holding the canopy with one hand, slide the canopy cover over the screws and rotate clockwise until tight.

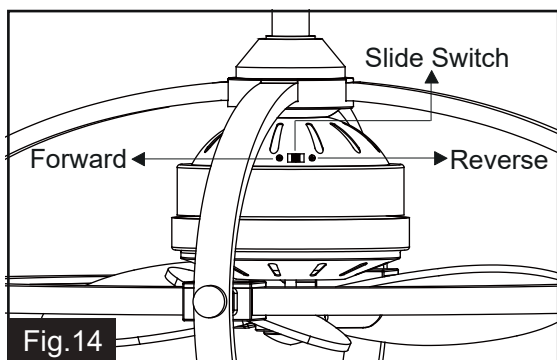
Note: Adjust the canopy screws as necessary until the canopy and canopy cover are snug.



Thread the blade screws through the washer and blade into the blade bracket. Tighten all blade screws securely. Repeat to other blades.



Insert the blade bracket set onto the fan motor assembly, then secure them together by two blade bracket set screws.

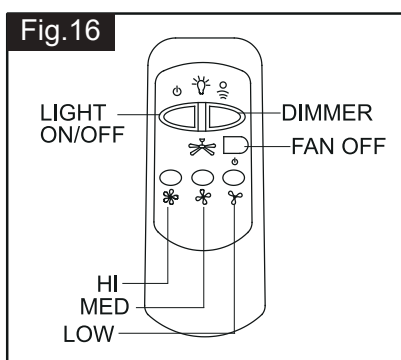


The slide switch on fan motor assembly sets direction of fan rotation. Select the desired direction of fan rotation. Push the slide switch left for "Forward" and right for "Reverse".

Note: Wait for fan to stop before reversing the direction of blade rotation.



Turn ON the electric circuit at the main fuse or circuit breaker box.

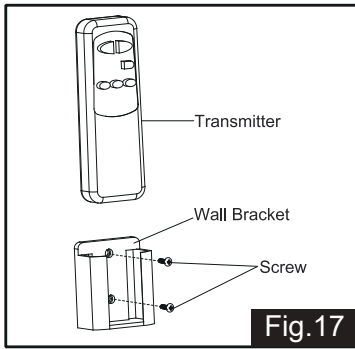


Install the battery (9V, included) to the transmitter.

- * Press "HI" button to turn on the fan at high speed.
- * Press "MED" button to turn the fan in medium speed.
- * Press "LOW" button to turn the fan in low speed.
- * Press "FAN OFF" button to turn off the fan.
- * Press "LIGHT ON /OFF" button to turn on or turn off the light.
- * Press and hold the "DIMMER" button to dim or brighten lights to the desired level and release, and the brightness level will be memorized. Turn on the light again, then fan light will restore on of the brightness level which was dimmed last time.

Note:

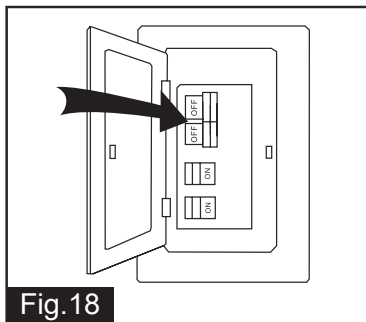
1. This remote controller has memory function setting. The fan will operate at the same speed and the fan light will stay at the same brightness as the last time the power supply was turned off.
2. Compatible Wall Switch model no.: LUTRON / SKYLAPR / SFSQ-LFH-WH, the wall switch only can turn on or turn off the light, but can not control dimming. Install Without Remote Controller Fig.18.



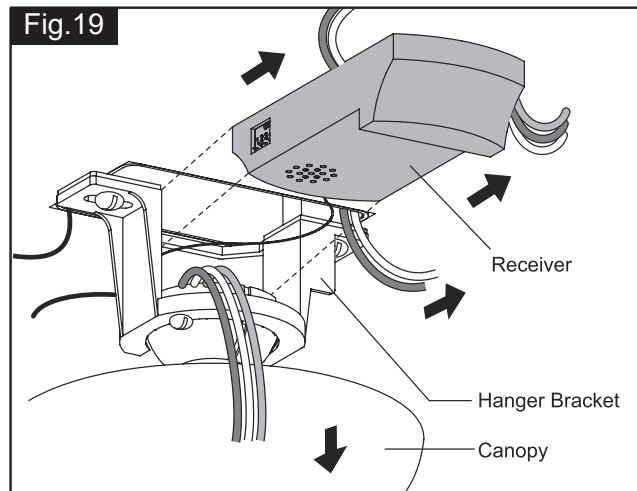
Install the transmitter wall bracket in wall by two screws and hang transmitter in it carefully.

Install Without Remote Controller

Note: Remote control can not be worked along with solid-state speed control at the same time.



Turn OFF the electric circuit at the main fuse or circuit breaker box. (See Fig.18)



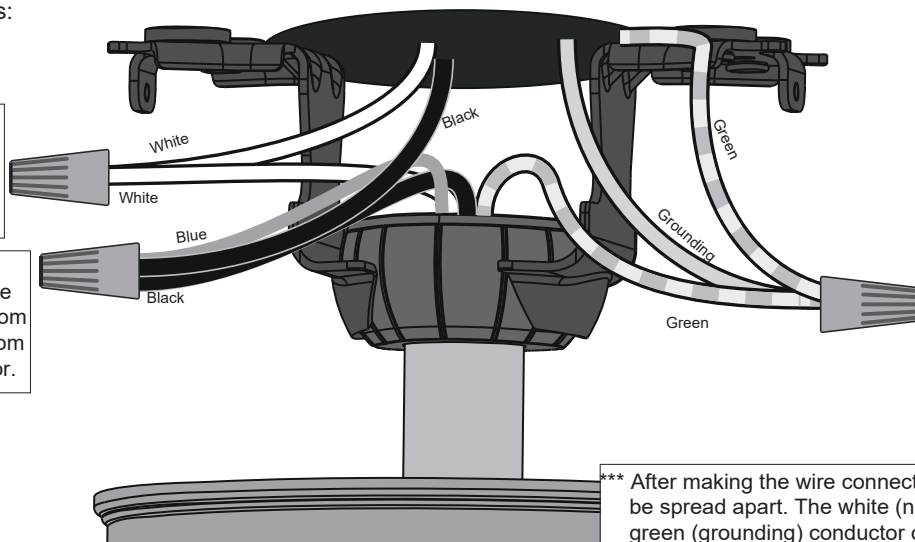
Unscrew the canopy. Remove the wire connectors from the fan to ceiling wire connection . The receiver should be removed from the hanger bracket. (See Fig.19)



For a single switch
Follow these steps:

Connect the white (neutral) wire from motor to the white (neutral) wire from the outlet box with a wire connector.

Connect the black (hot) wire (This is for fan control) and blue wire (This is for light control) from motor to the black (hot) wire from outlet box with a wire connector.

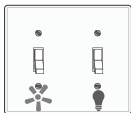


Connect three ground wires (Green or bare copper) coming from outlet box, downrod and hanging bracket with a wire connector.

*** After making the wire connections, the wires should be spread apart. The white (neutral) conductor and green (grounding) conductor on one side and the black (hot) conductor and blue (light) conductor on the other side of the outlet box.

*** The wire connection points should be turned upward and pushed carefully up into outlet box.

Fig.20

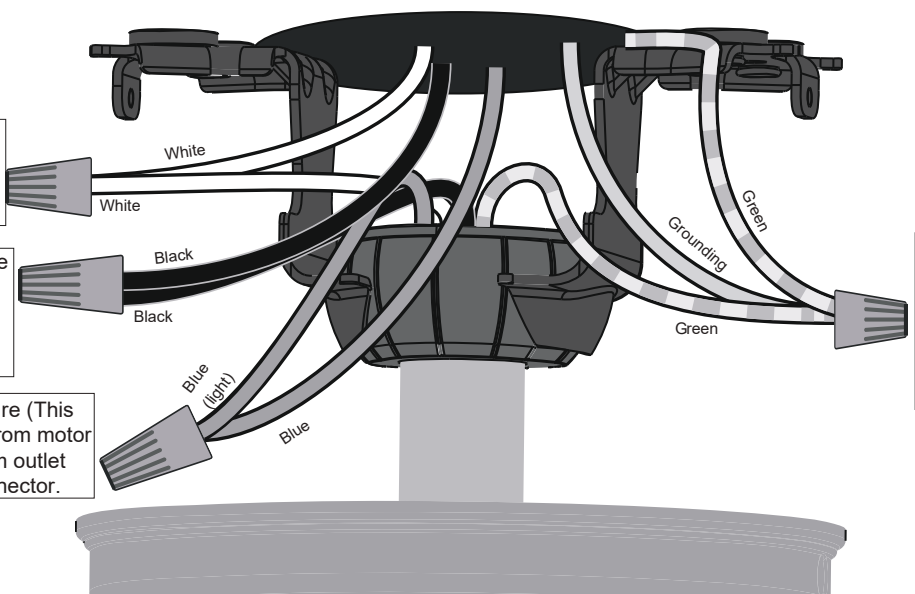


For dual switches
Follow these steps:

Connect the white (neutral) wire from motor to the white (neutral) wire from outlet box with a wire connector.

Connect the black (hot) wire from motor (This is for fan control) to the black (hot) wire from outlet box with a wire connector.

Connect the blue wire (This is for light control) from motor to the blue wire from outlet box with a wire connector.

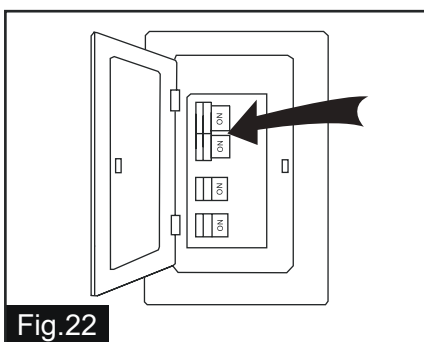


Connect three ground wires (Green or bare copper) coming from outlet box, downrod and hanging bracket with a wire connector.

*** After making the wire connections, the wires should be spread apart. The white (neutral) conductor and green (grounding) conductor on one side and the black (hot) conductor and blue (light) conductor on the other side of the outlet box.

*** The wire connection points should be turned upward and pushed carefully up into outlet box.

Fig.21



Turn ON the electric circuit at the main fuse or circuit breaker box.

Fig.22



Troubleshooting Guide

If you have difficulty operating your new ceiling fan, it may be the result of incorrect assembly, installation or wiring. In some cases, these installation errors may be mistaken for defects. If you experience any faults, please check this Troubleshooting Guide. If a problem cannot be remedied or you are experiencing difficulty in installation, please call our Customer Service Department.

PROBLEM	SUGGESTED REMEDY
1. If fan does not start:	<ol style="list-style-type: none">1. Check main and branch circuit fuses or circuit breakers.2. Check line wire connections to fan and switch wire connections in switch housing. CAUTION: Make sure main power is turned off.3. Make sure forward/reverse switch is firmly in left or right position. Fan will not operate when switch is in the middle.4. Make sure that the wall control is turned "ON".
2. If fan sounds noisy:	<ol style="list-style-type: none">1. Make sure all screws in motor housing are snug. (not over tightened)2. Make sure the screws which attach the fan blade bracket to the motor are tight.3. Make sure wire connectors in switch housing are not rattling against each other or against the interior wall of the switch housing. CAUTION: Make sure main power is turned off before accessing switch housing.4. If using an optional ceiling fan light kit, check to be sure the screws securing the glassware are finger tight. Check to be sure light bulb is tight in socket and not touching glass shade(s). If vibration persists from glass, remove glass and install a 1/4 in. wide rubber band on glass neck to act as an insulator. Replace glass and tighten screws against rubber band.5. Some fan motors are sensitive to signals from Solid State variable speed controls. DO NOT USE a Solid State variable speed control.6. Allow "break-in" period of 24 hours. Most noises associated with a new fan will disappear after this period.
3. If fan wobbles:	<p>All blades are weighed and grouped by weight. Natural woods vary in density which could cause the fan to wobble even though all blades are weight-matched. The following procedures should eliminate most of the wobble. Check for wobble after each step.</p> <ol style="list-style-type: none">1. Check that all blades are screwed firmly into blade beackets.2. Check that all blade brackets are tightened securely to motor.3. Make sure that canopy and mounting bracket are tightened securely to ceiling junction box and junction box is mounted firmly to ceiling joist.
4. If light does not work:	<ol style="list-style-type: none">1. Check blue wire from fan to make sure it is connected to hot wire from house.2. Check for loose or disconnected wires in fan switch housing.3. Check for loose or disconnected wires in light kit.4. Check for faulty light bulbs. CAUTION: Make sure main power is turned off before accessing switch housing.