

VEVOR[®]

TOUGH TOOLS, HALF PRICE

Technical Support and E-Warranty Certificate www.vevor.com/support

WOODEN HALL TREE

USER MANUAL

MODEL:VVSC002

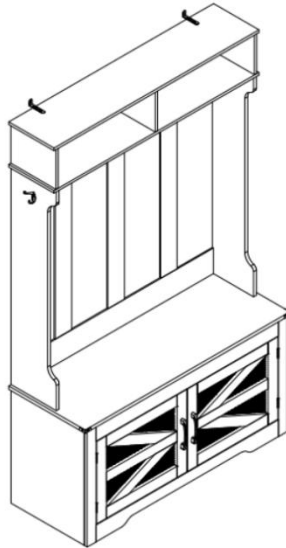
We continue to be committed to provide you tools with competitive price. "Save Half", "Half Price" or any other similar expressions used by us only represents an estimate of savings you might benefit from buying certain tools with us compared to the major top brands and does not necessarily mean to cover all categories of tools offered by us. You are kindly reminded to verify carefully when you are placing an order with us if you are actually Saving Half in comparison with the top major brands.

VEVOR[®]

TOUGH TOOLS, HALF PRICE

WOODEN HALL TREE

MODEL:VVSC002



NEED HELP? CONTACT US!

Have product questions? Need technical support? Please feel free to contact us:

Technical Support and E-Warranty Certificate
www.vevor.com/support

This is the original instruction, please read all manual instructions carefully before operating. VEVOR reserves a clear interpretation of our user manual. The appearance of the product shall be subject to the product you received. Please forgive us that we won't inform you again if there are any technology or software updates on our product.

SAFETY INSTRUCTIONS

WARNING:

Read this material before using this product. Failure to do so can result in serious injury.

Assembly precautions

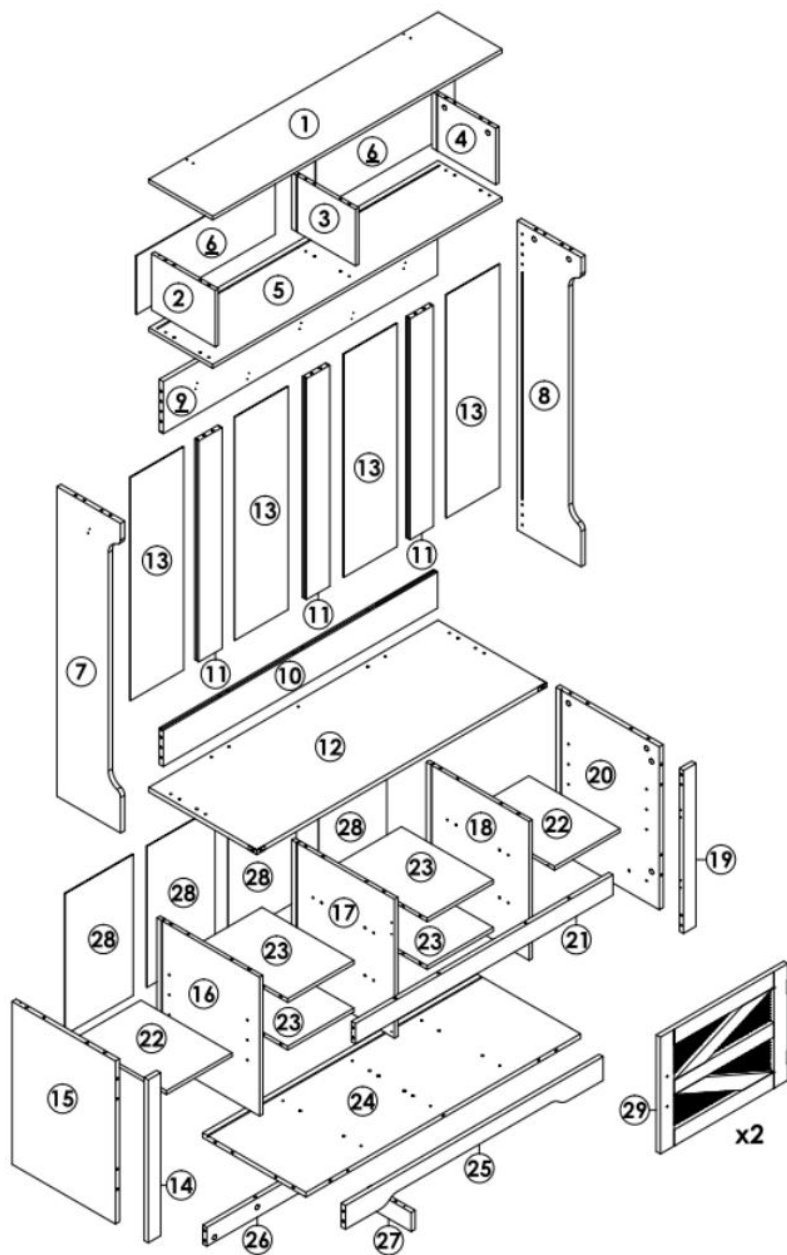
1. Assemble only according to these instructions. Improper assembly can create hazards.
2. Wear ANSI-approved safety goggles and heavy-duty work gloves during assembly.
3. Keep the assembly area clean and well-lit.
4. Keep bystanders out of the area during assembly.
5. Do not assemble if tired or when under the influence of alcohol, drugs or medication.
6. The product capabilities apply to properly and completely assembled products only.
7. Assemble on a flat, level, hard and smooth surface capable of safely supporting the Wooden Hall Tree.
8. For additional information regarding the parts listed in the following pages, please refer to the Assembly Diagram of this manual. Unwrap and separate all parts in a clean work area.

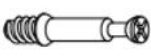

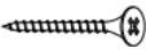




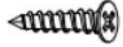
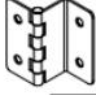
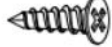

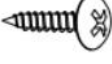

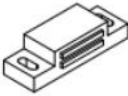







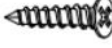




Use precautions

1. DO NOT SIT OR STAND ON THIS ITEM.
2. This product is not a toy. Do not allow children to play with or near this item.
3. Do not exceed specified weight capacities.
4. Use only on a flat, level, hard, and smooth surface that can safely support a fully loaded Wooden Hall Tree.
5. Use as intended only.
6. Inspect before every use; do not use if parts are loose or damaged.

SAVE THIS MANUAL

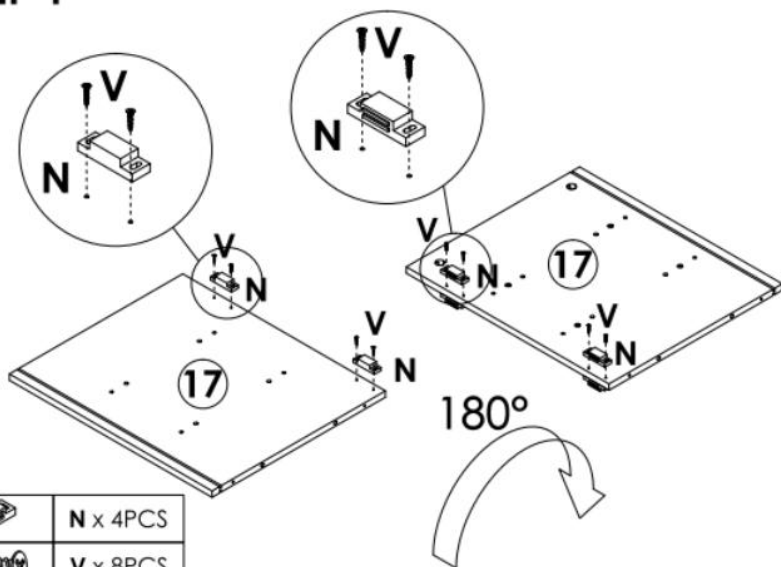
PARTS LIST



<p>A</p>  <p>M6x35mm 75+2PCS</p>	<p>B</p>  <p>Ø15x9mm 75+2PCS</p>	<p>C</p>  <p>M4x40mm 30+2PCS</p>	<p>D</p>  <p>Ø6x30mm 76+2PCS</p>	<p>E</p>  <p>M4x16mm 4PCS</p>
<p>F</p>  <p>96mm 2PCS</p>	<p>G</p>  <p>7PCS</p>	<p>H Black</p>  <p>M3x14mm 14+1PCS</p>	<p>I</p>  <p>15mm 4PCS</p>	<p>J</p>  <p>M3x12mm 26+2PCS</p>
<p>K</p>  <p>2PCS</p>	<p>L</p>  <p>M4x12mm 4PCS</p>	<p>M</p>  <p>Ø20mm 16+2PCS</p>	<p>N</p>  <p>4PCS</p>	<p>O</p>  <p>4PCS</p>
<p>P</p>  <p>Ø6x50mm 4PCS</p>	<p>Q</p>  <p>9+1PCS</p>	<p>R</p>  <p>M5x20mm 8+1PCS</p>	<p>S</p>  <p>1000mm 1PC</p>	<p>T</p>  <p>6PCS</p>
<p>U</p>  <p>40+2PCS</p>	<p>V White</p>  <p>M3x14mm 50+2PCS</p>	<p>W</p>  <p>4PCS</p>	<p>X</p>  <p>Ø6x30mm 4PCS</p>	<p>Y</p>  <p>2PCS</p>
<p>Z</p>  <p>M4mm 1PC</p>				

ASSEMBLY STEP

STEP 1

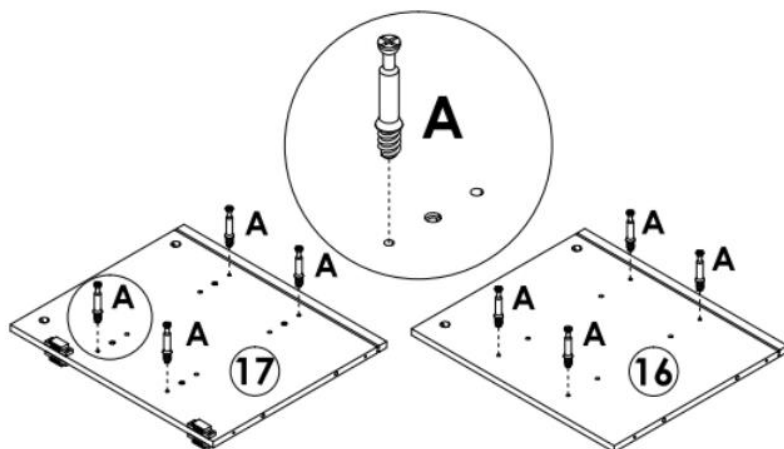


N x 4PCS



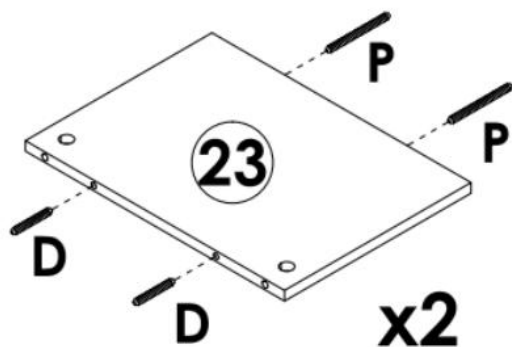
V x 8PCS


STEP 2



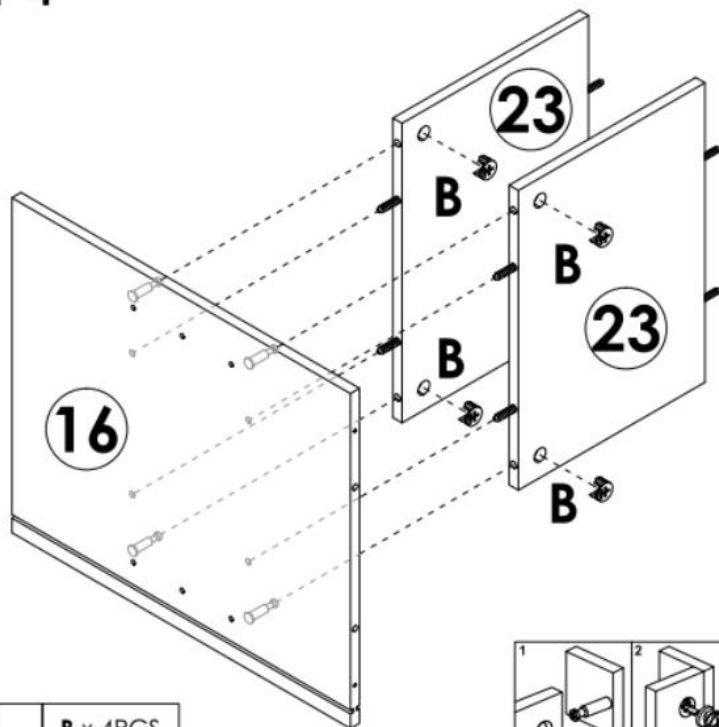
A x 8PCS

STEP 3

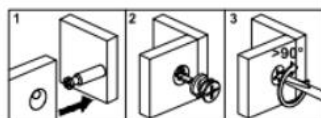


	D x 4PCS
	P x 4PCS

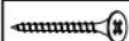
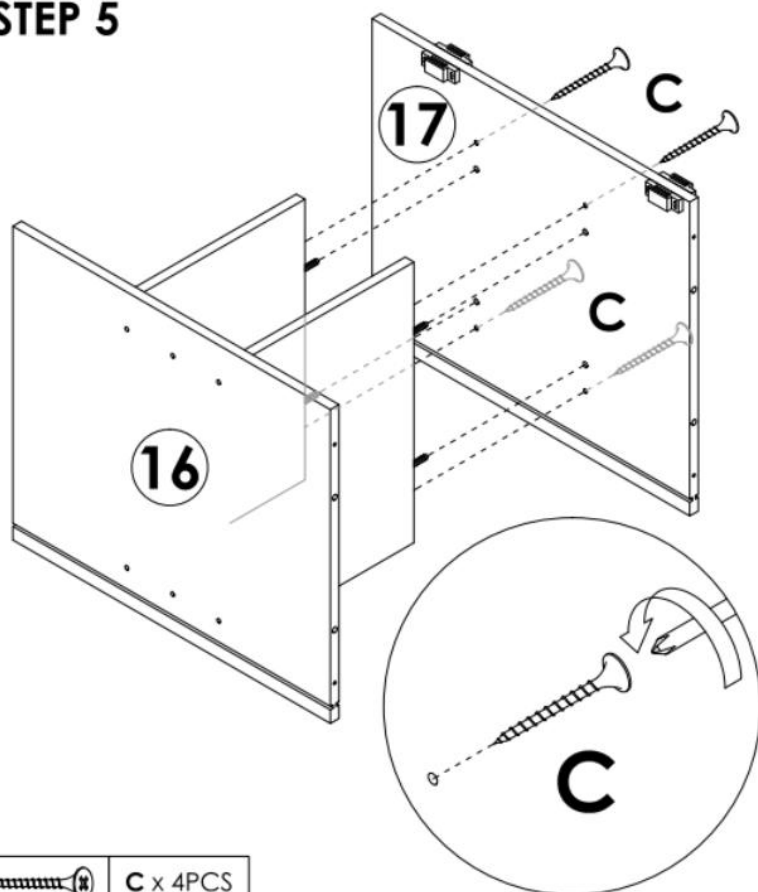
STEP 4



	B x 4PCS
---	----------

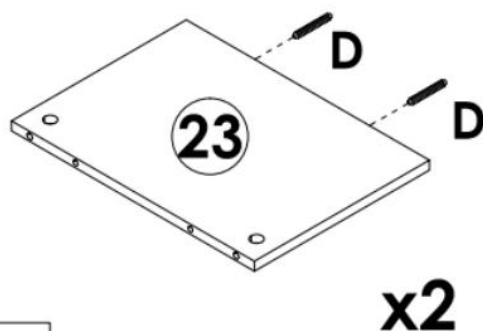


STEP 5



C x 4PCS

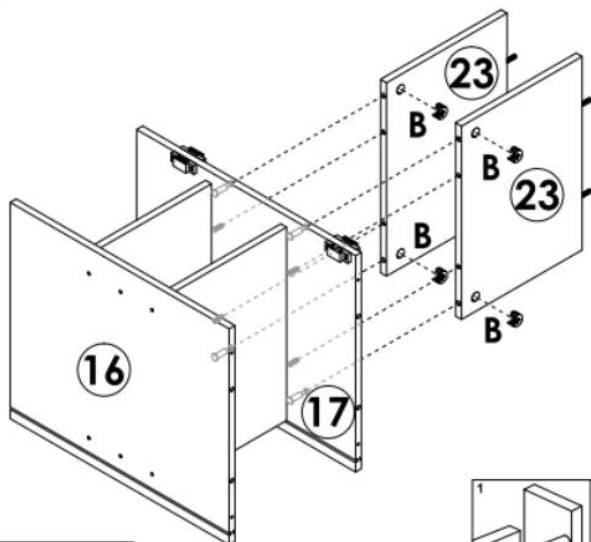
STEP 6



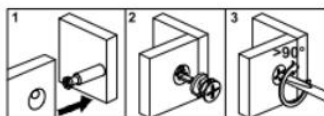
D x 4PCS

x2

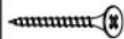
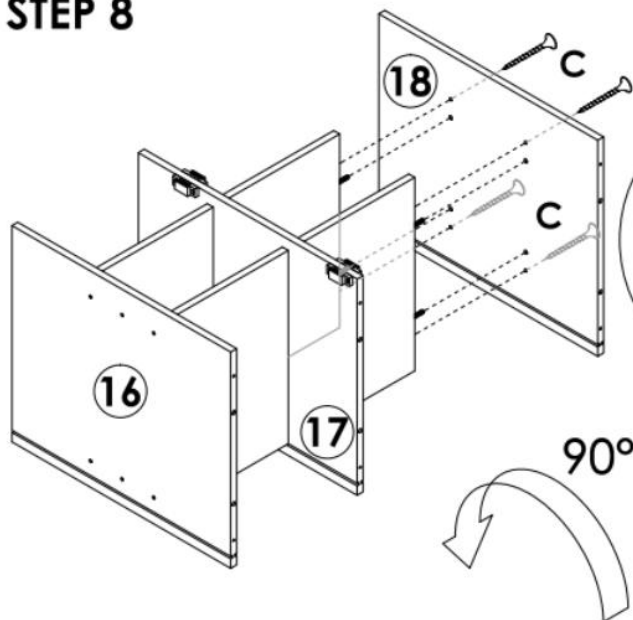
STEP 7



B x 4PCS

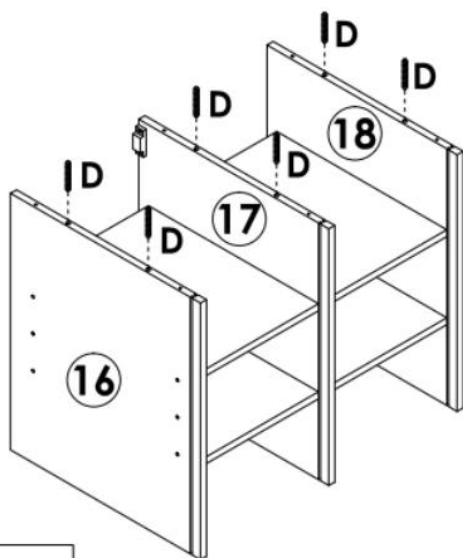


STEP 8



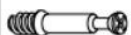
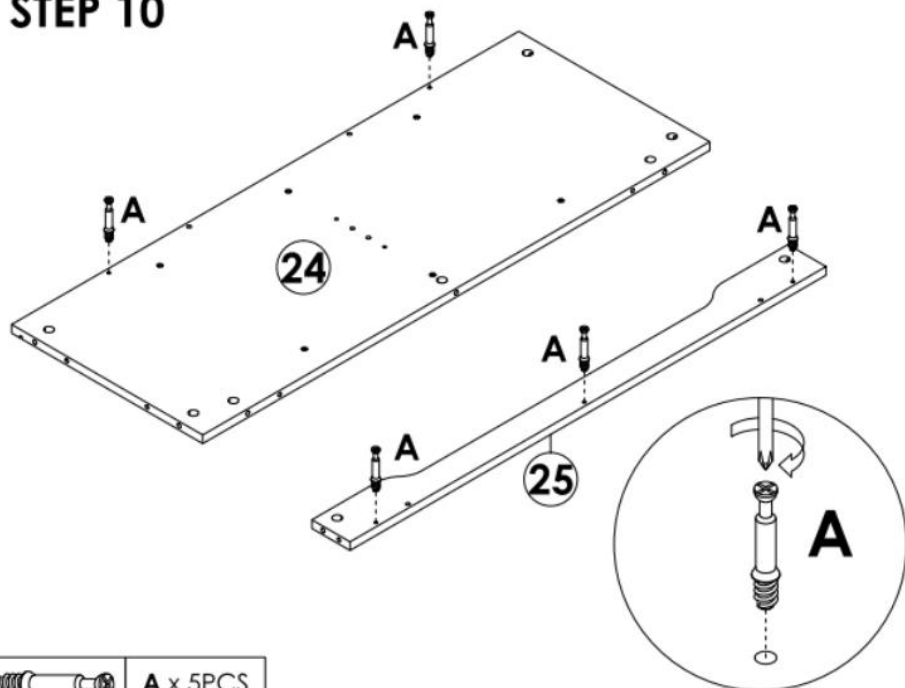
C x 4PCS

STEP 9



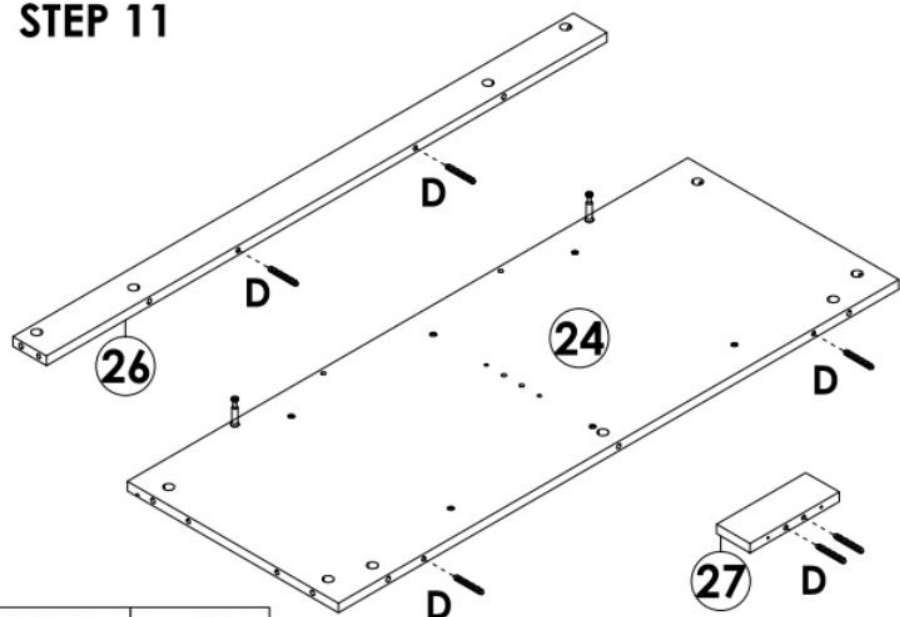
D x 6PCS

STEP 10



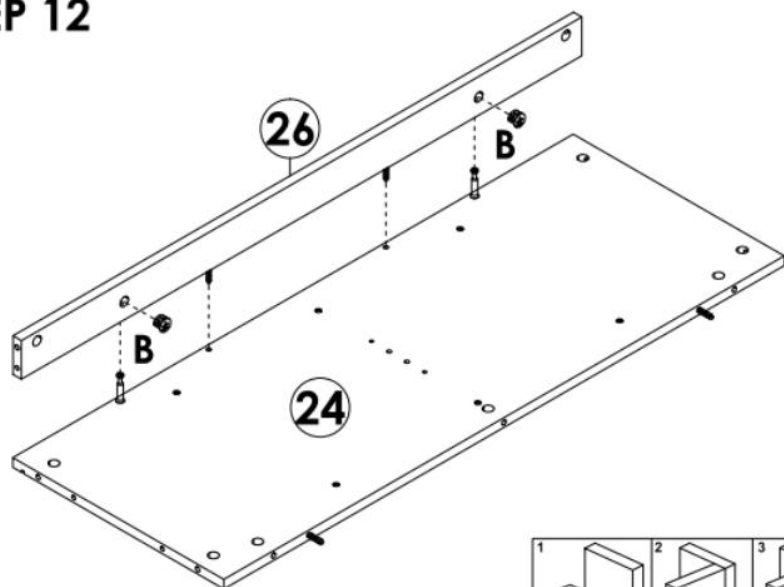
A x 5PCS

STEP 11

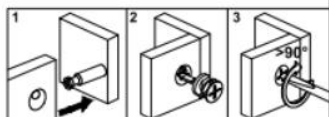


D x 6PCS

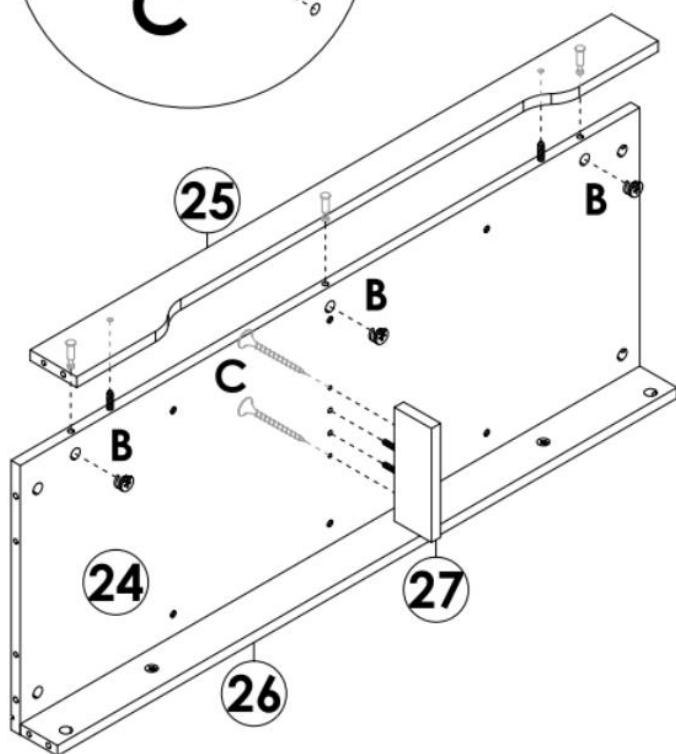
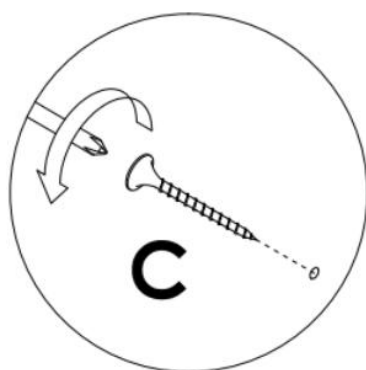
STEP 12


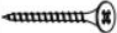


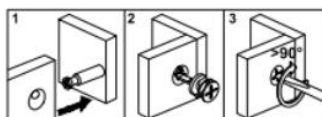
B x 2PCS



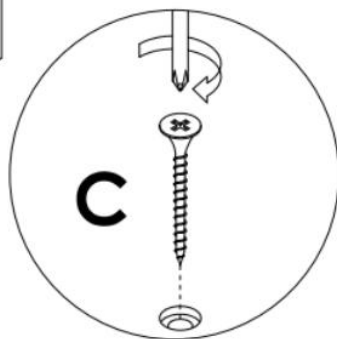
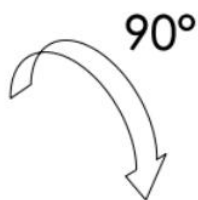
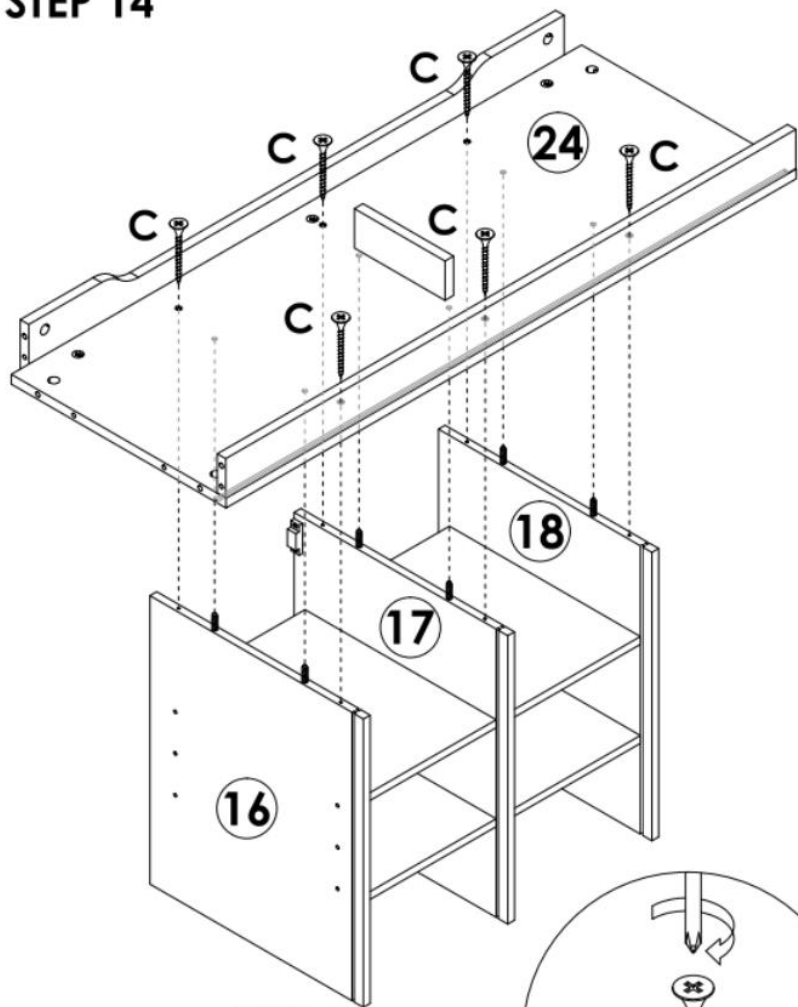
STEP 13



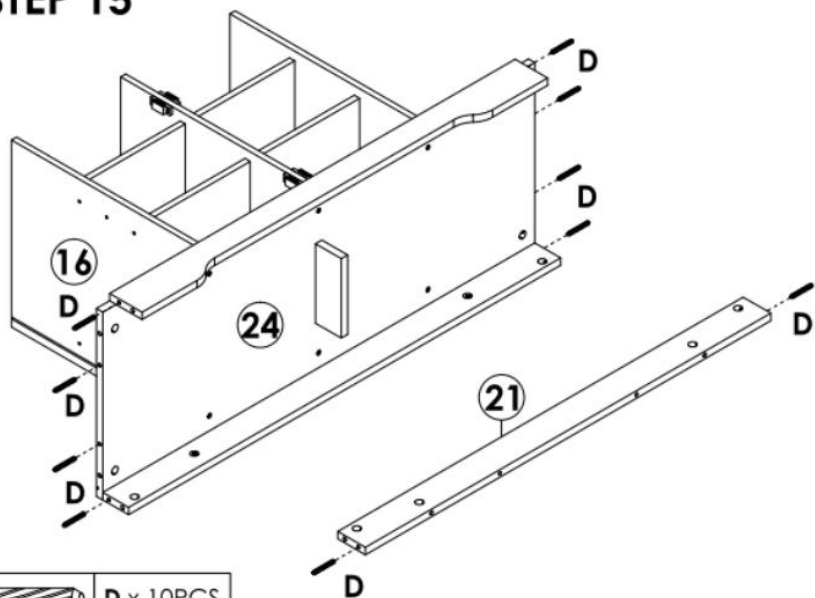
	B x 3PCS
	C x 2PCS



STEP 14

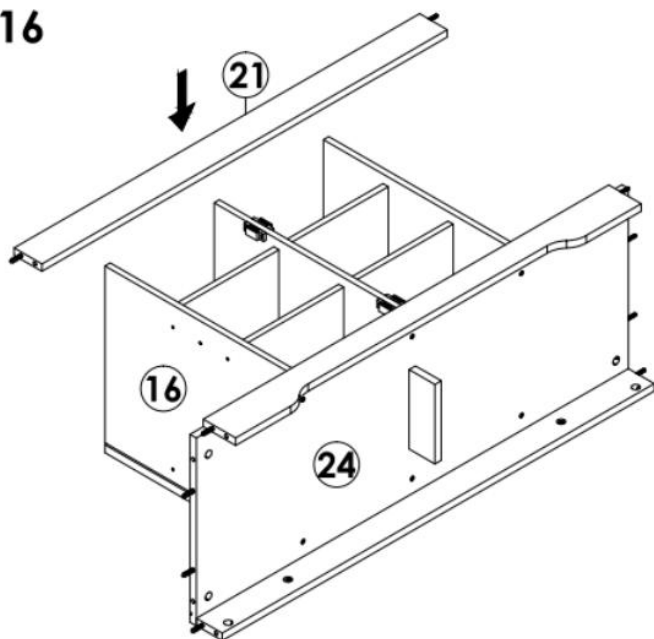


STEP 15

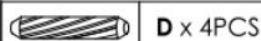
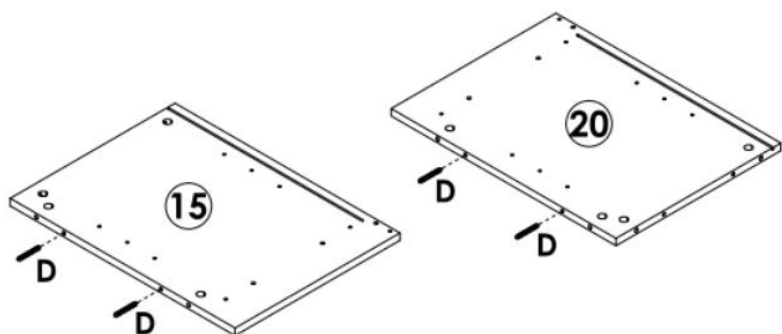


D x 10PCS

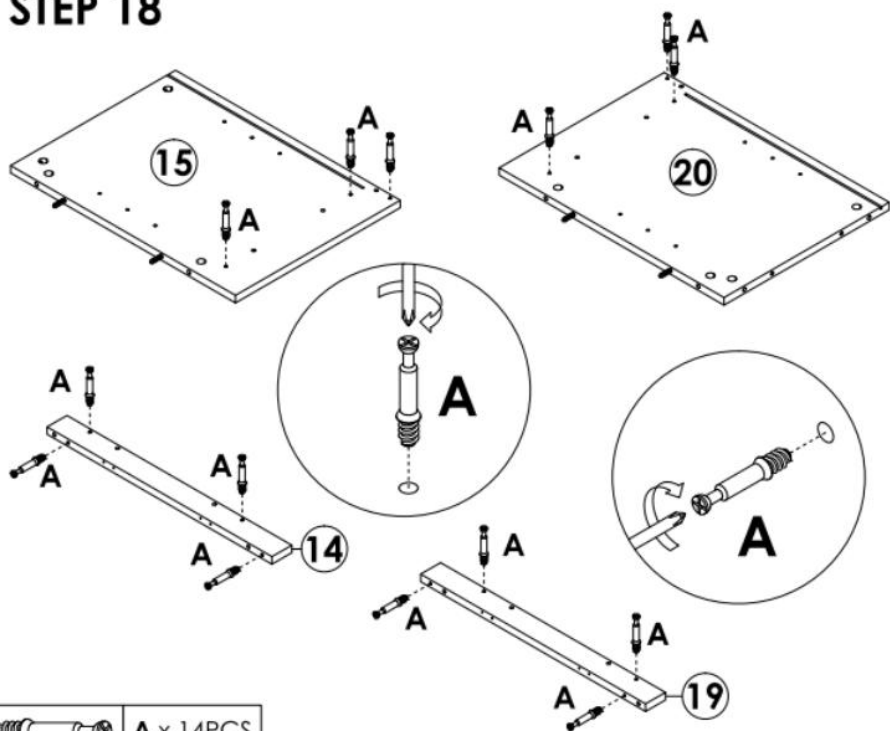
STEP 16



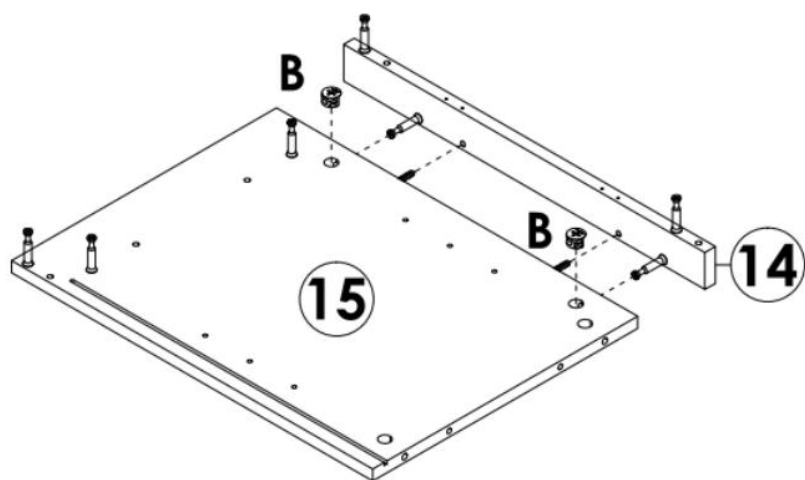
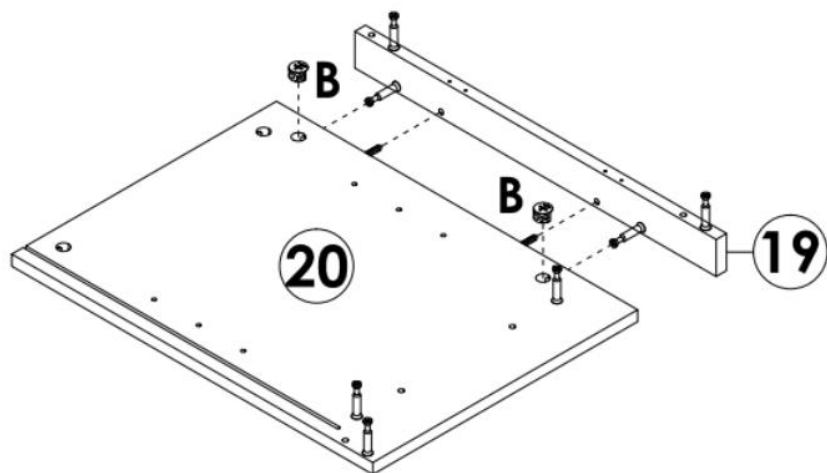
STEP 17



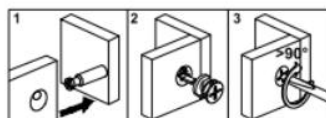
STEP 18



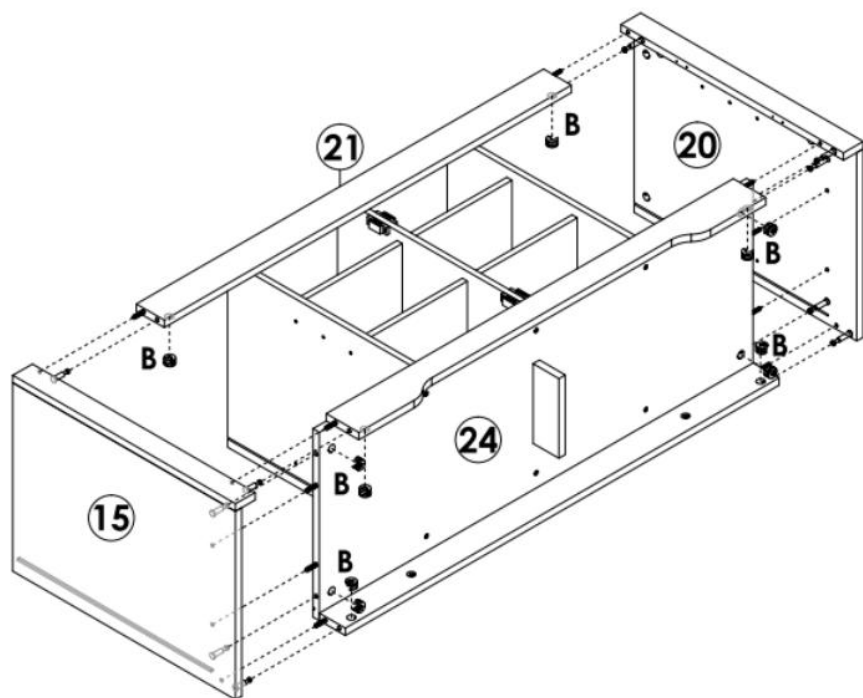
STEP 19



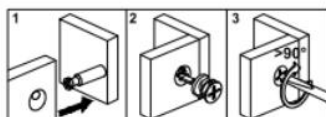
B x 4PCS



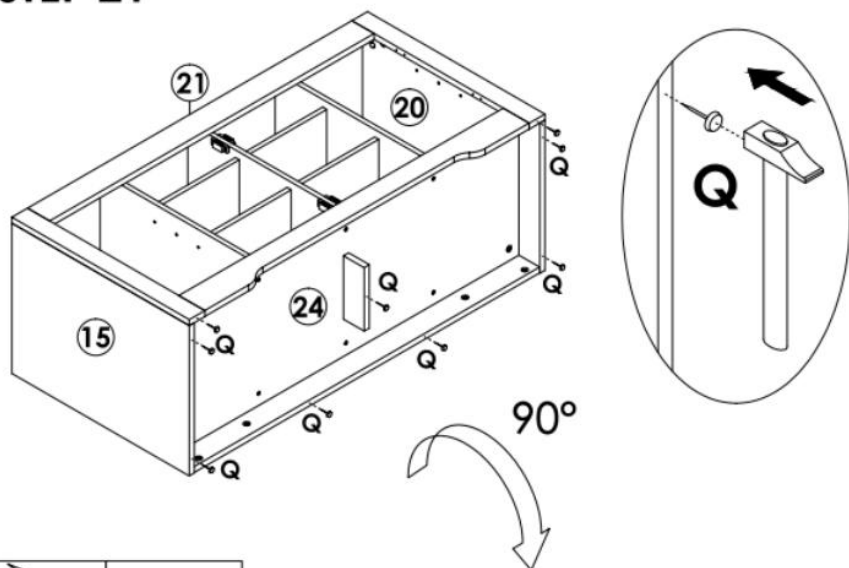
STEP 20



B x 10PCS

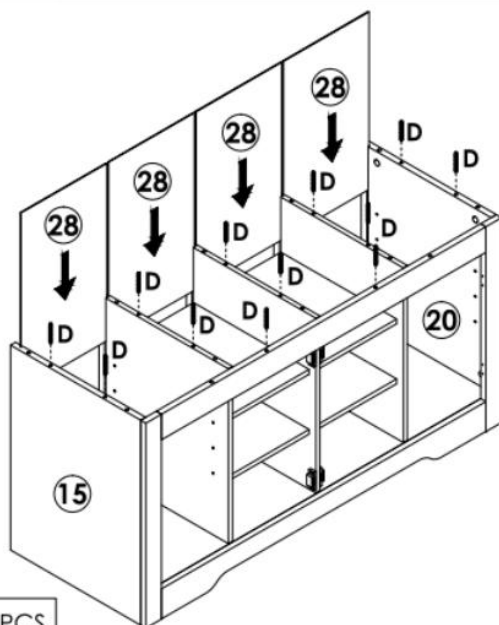


STEP 21



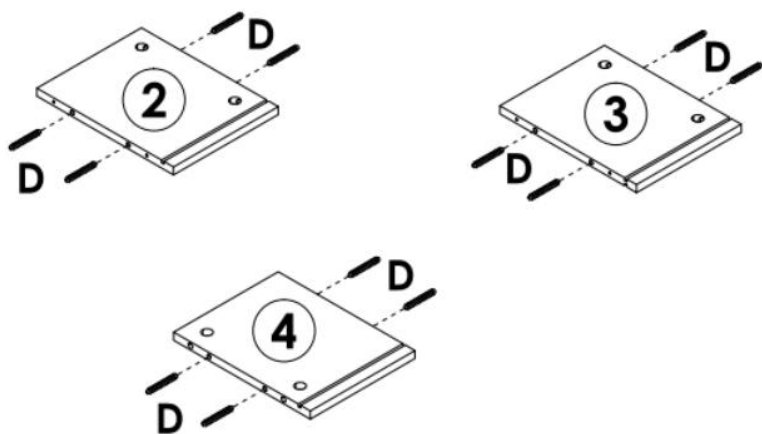
Q x 9PCS

STEP 22



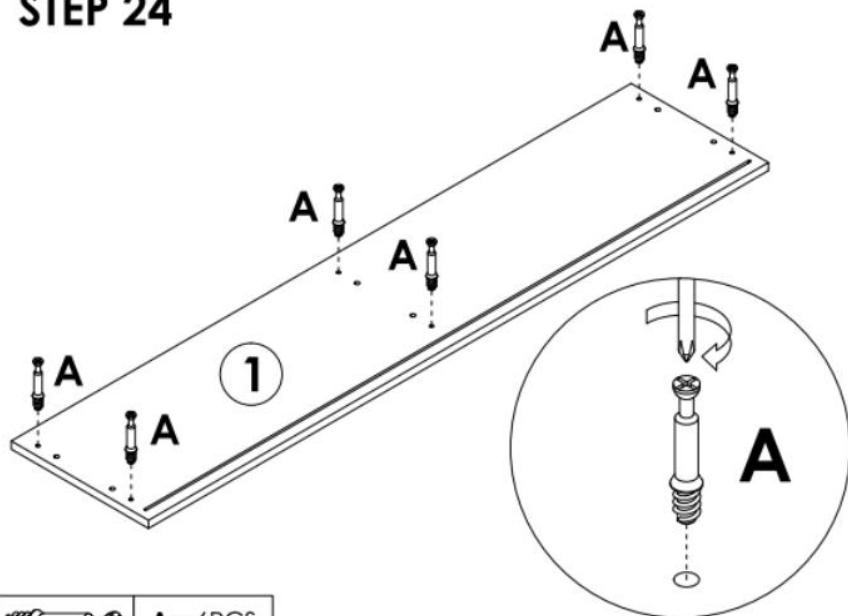
D x 12PCS

STEP 23



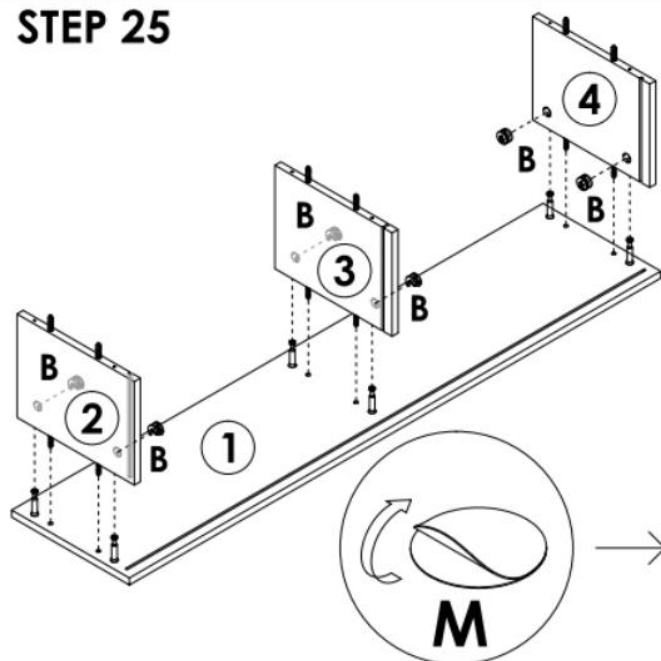
D x 12PCS

STEP 24

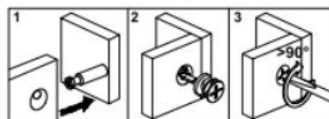


A x 6PCS

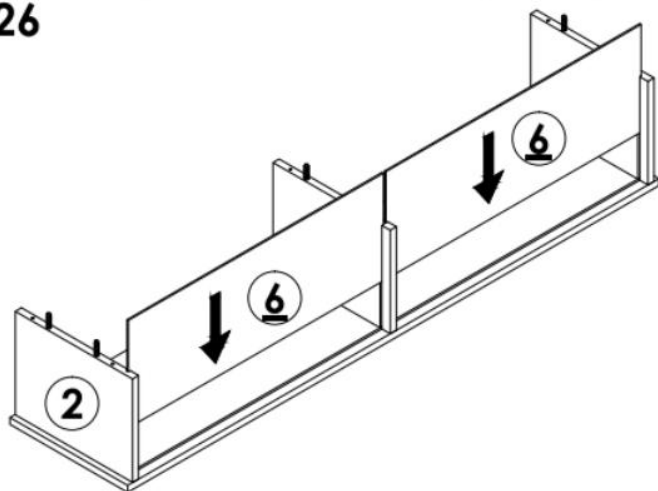
STEP 25



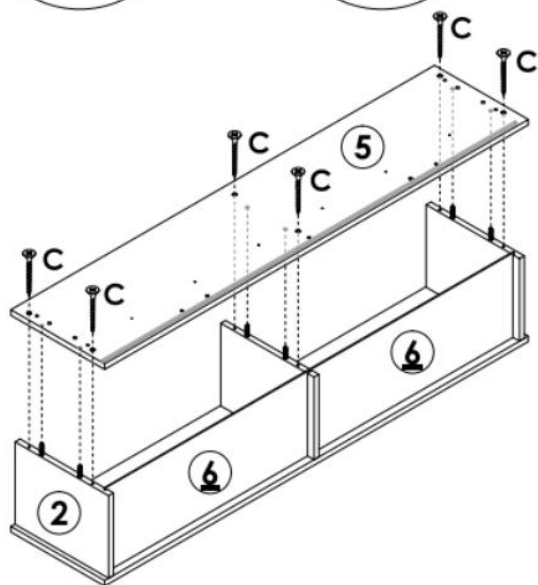
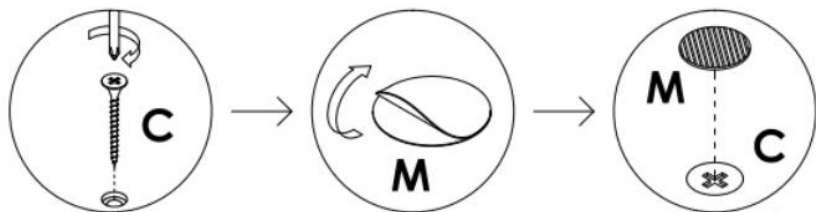
	B x 6PCS
	M x 6PCS

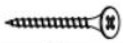



STEP 26

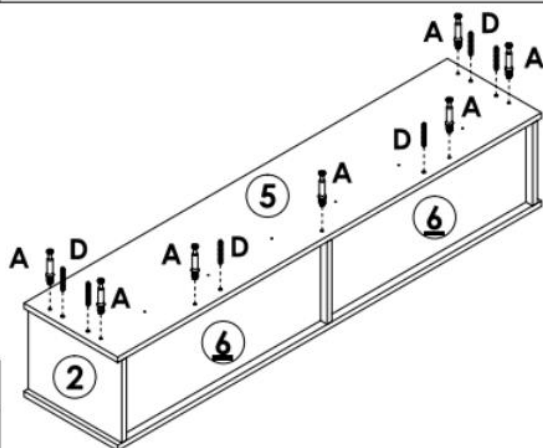
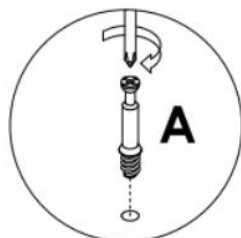


STEP 27



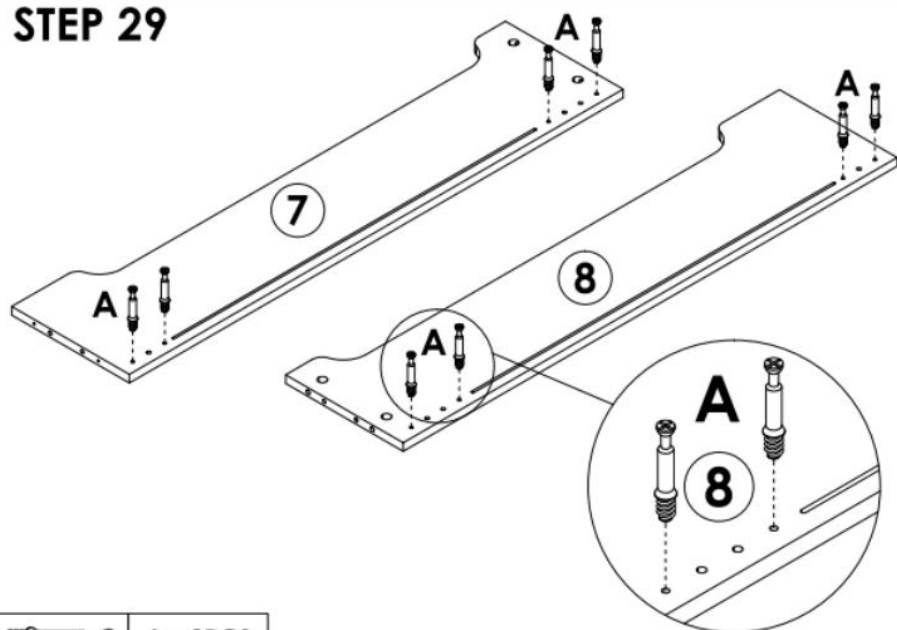
	C x 6PCS
	M x 6PCS

STEP 28



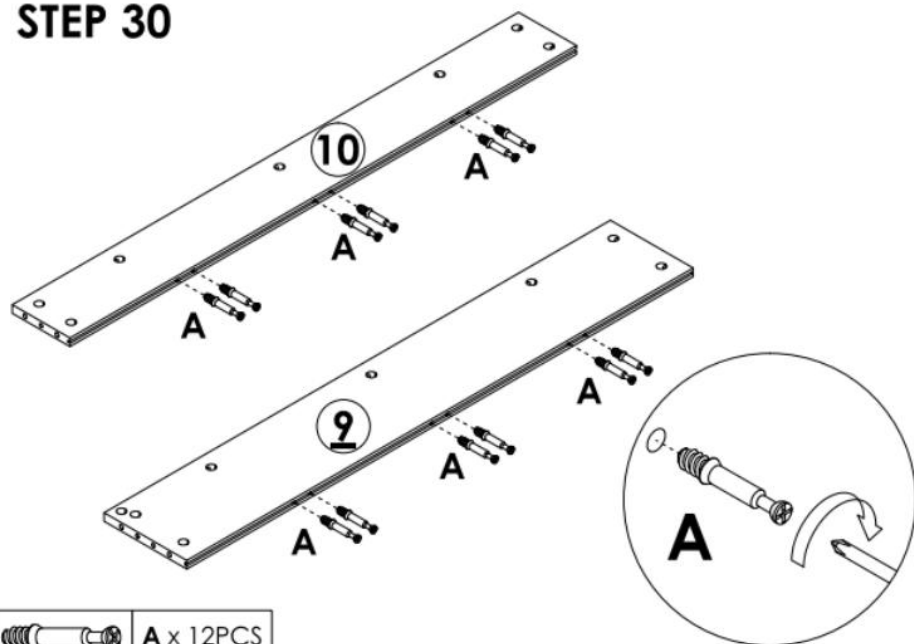
	A x 7PCS
	D x 6PCS

STEP 29



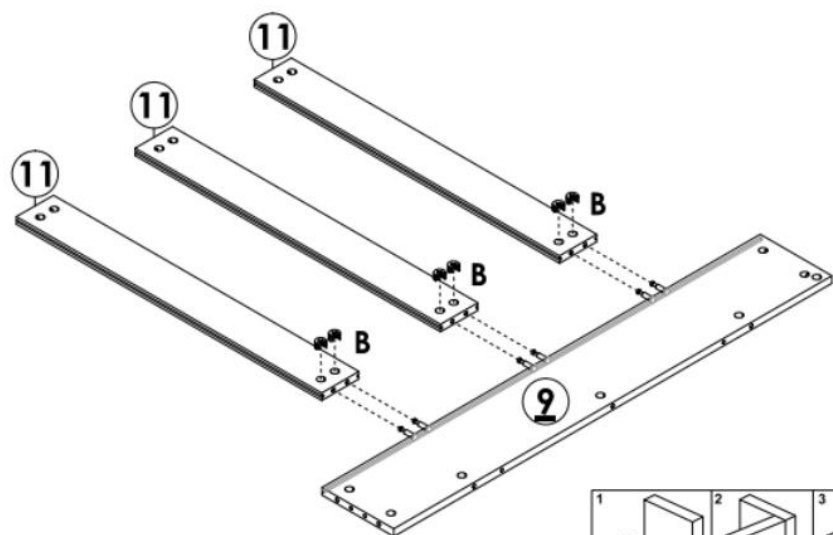
A x 8PCS

STEP 30

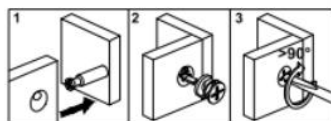


A x 12PCS

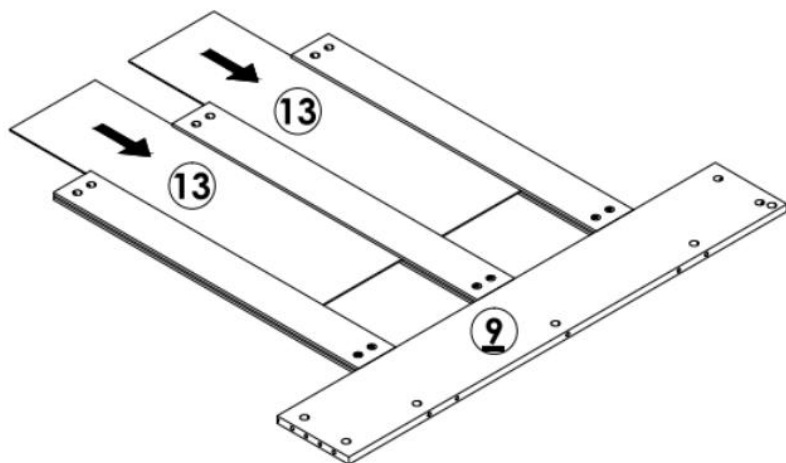
STEP 31



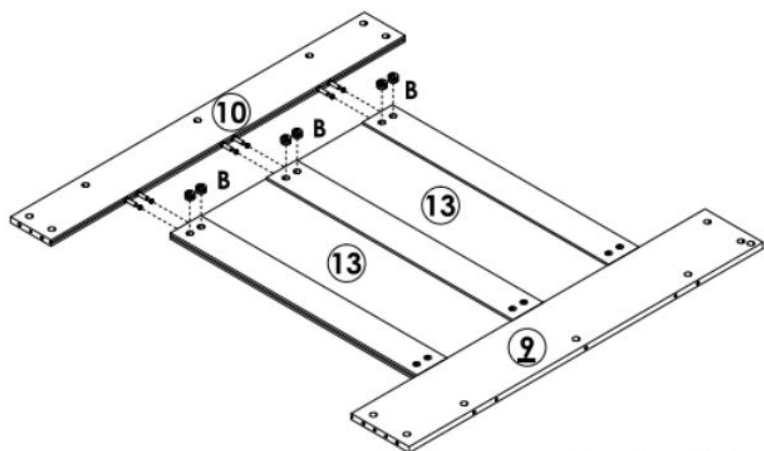
B x 6PCS



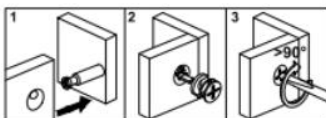
STEP 32



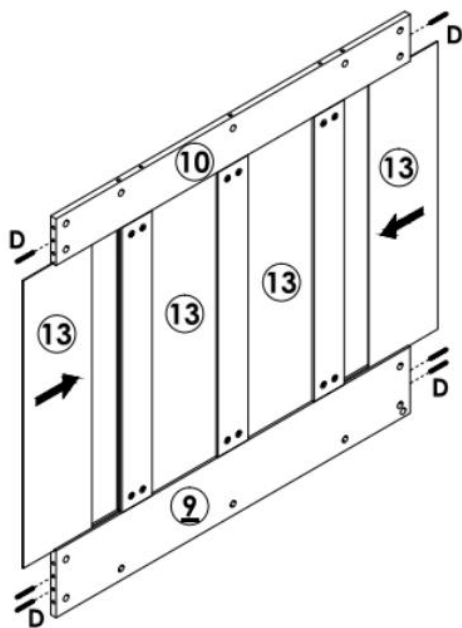
STEP 33



B x 6PCS

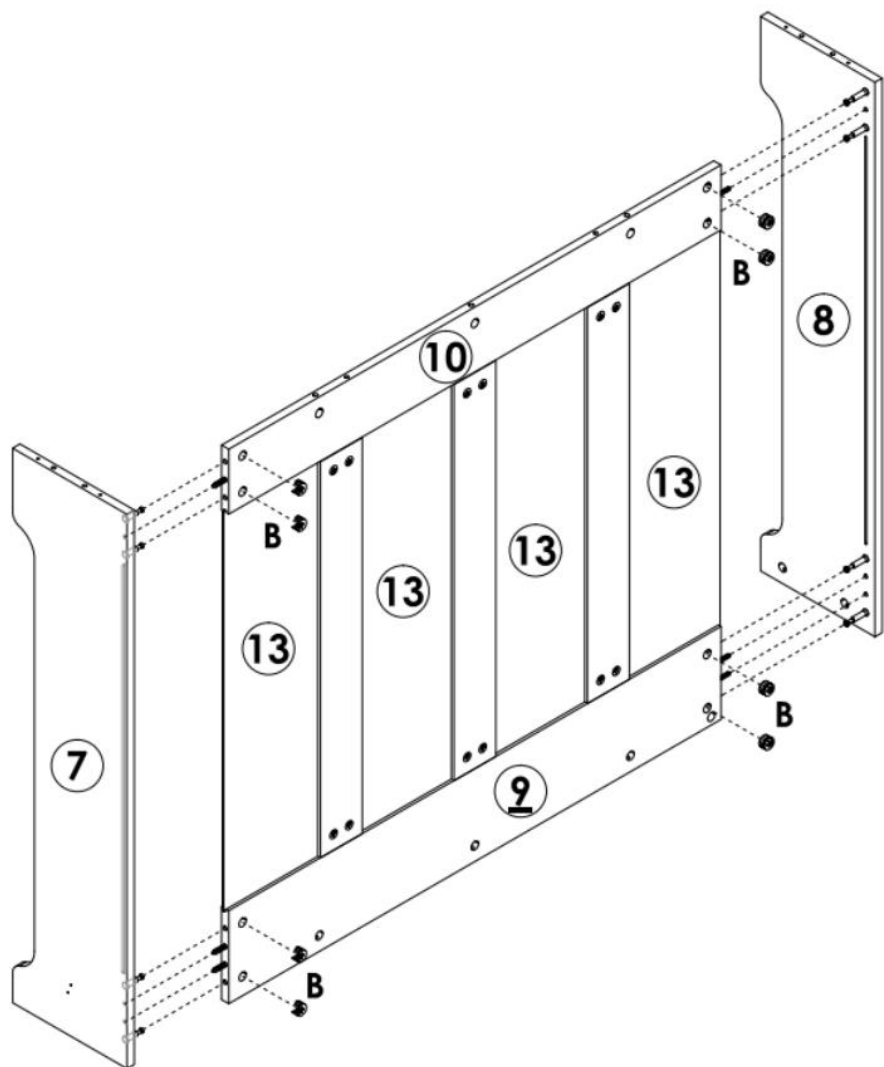


STEP 34

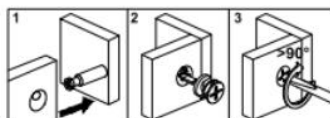


D x 6PCS

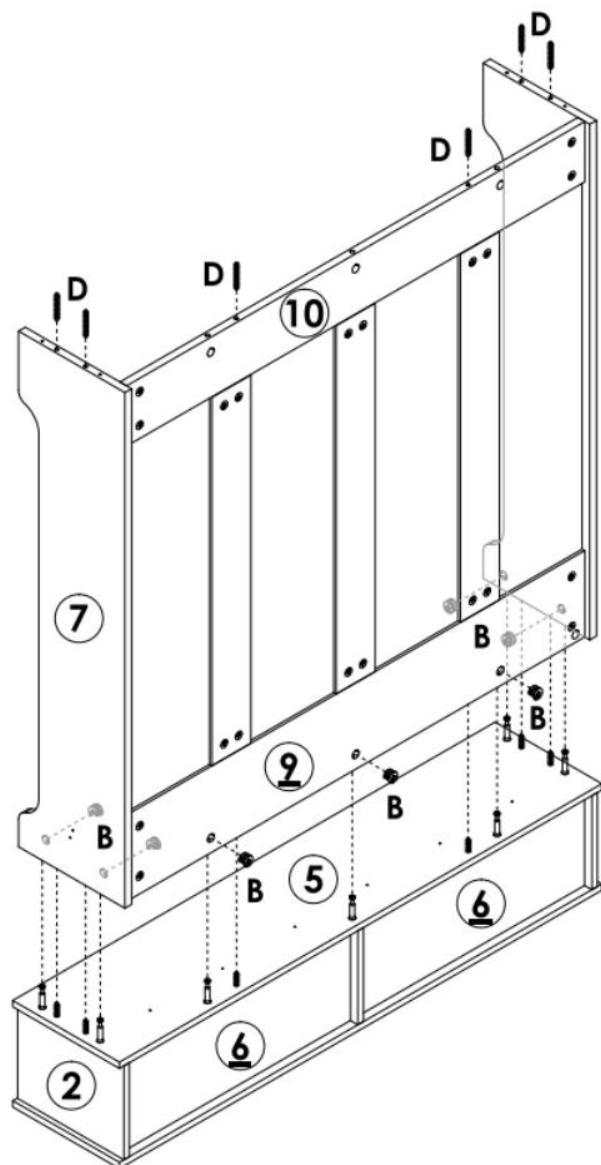
STEP 35



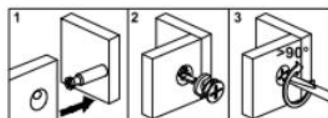
B x 8PCS



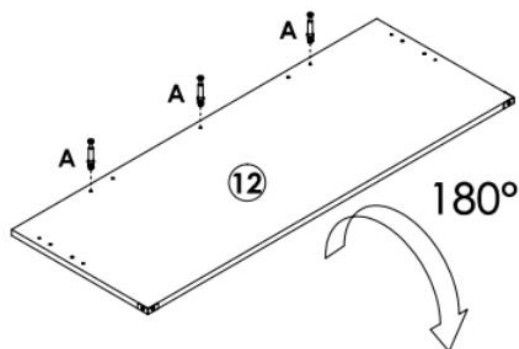
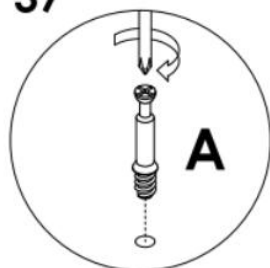
STEP 36



	B x 7PCS
	D x 6PCS

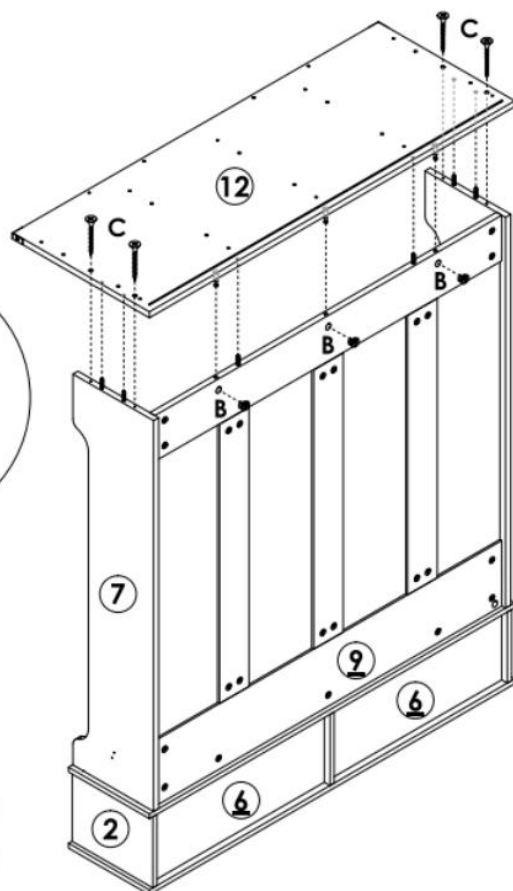
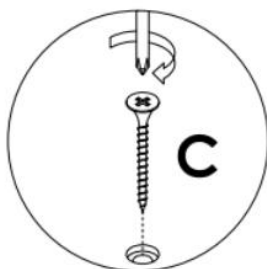


STEP 37

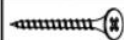


A x 3PCS

STEP 38

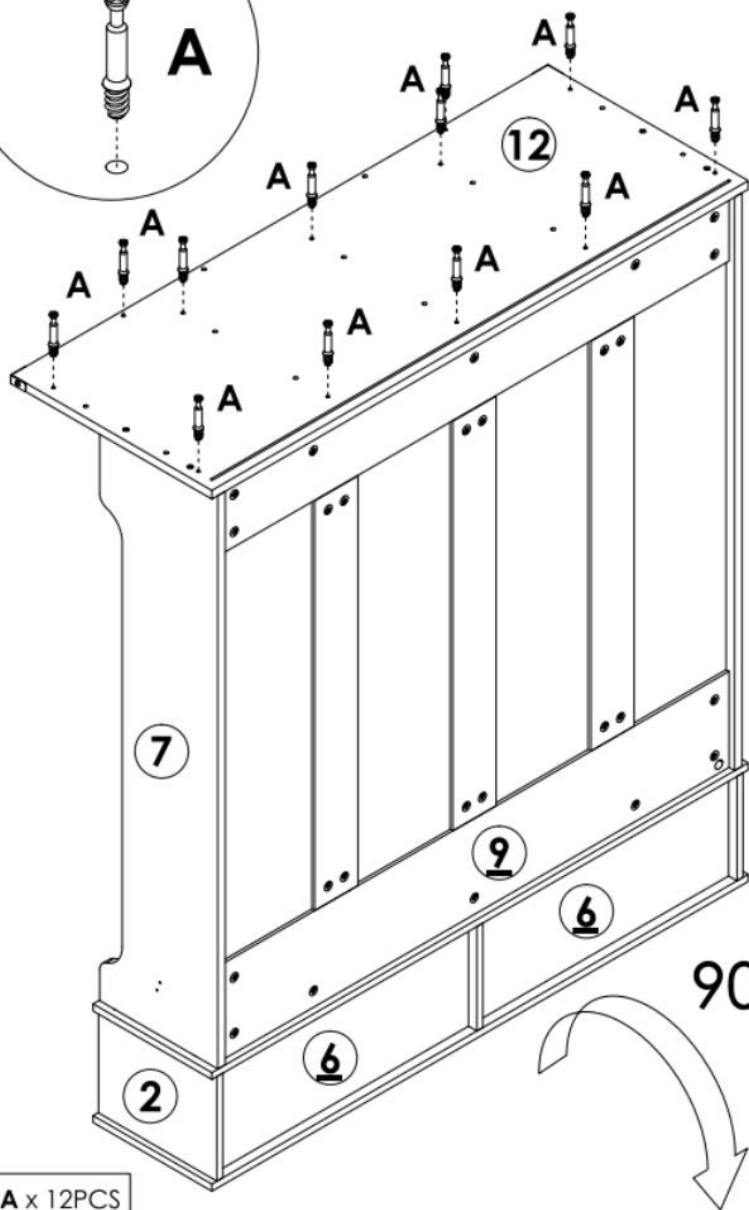
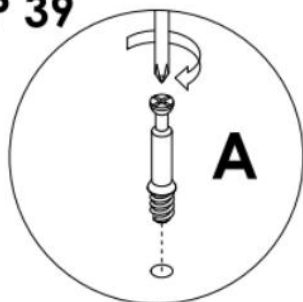


B x 3PCS



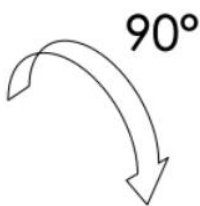
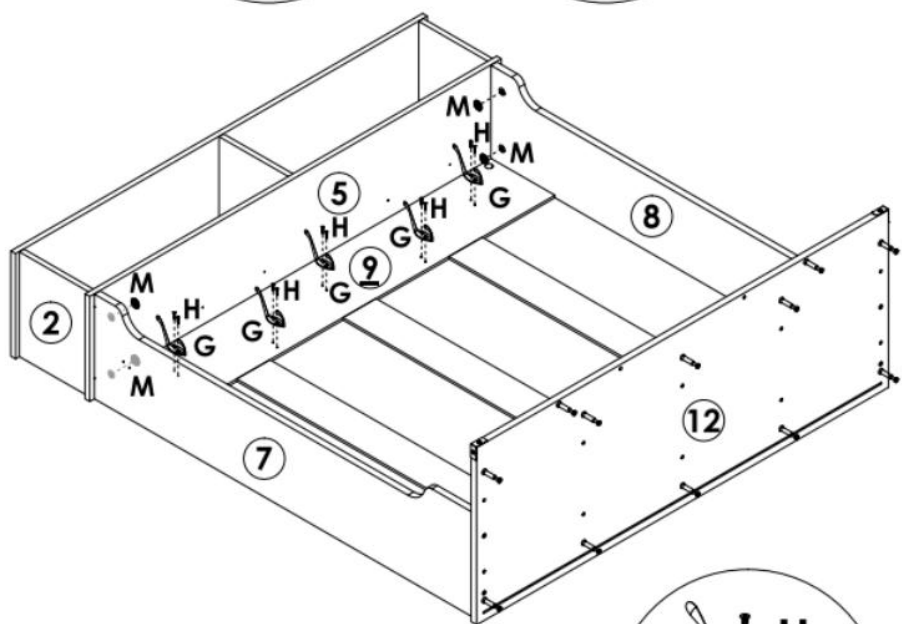
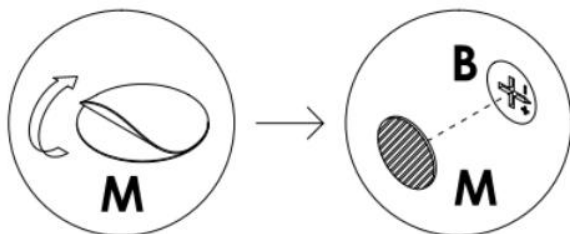
C x 4PCS


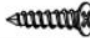

STEP 39



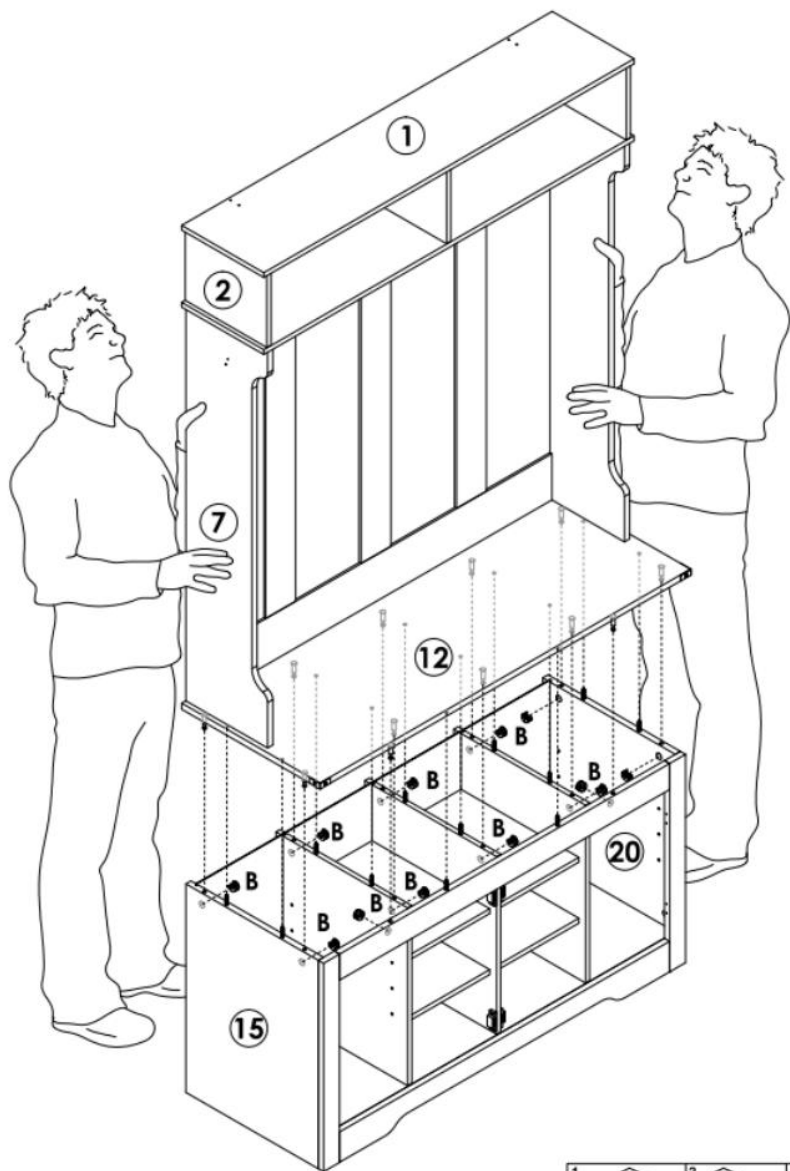
A x 12PCS

STEP 40

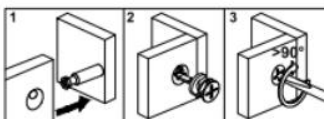


	G x 5PCS
	H x 10PCS
	M x 4PCS

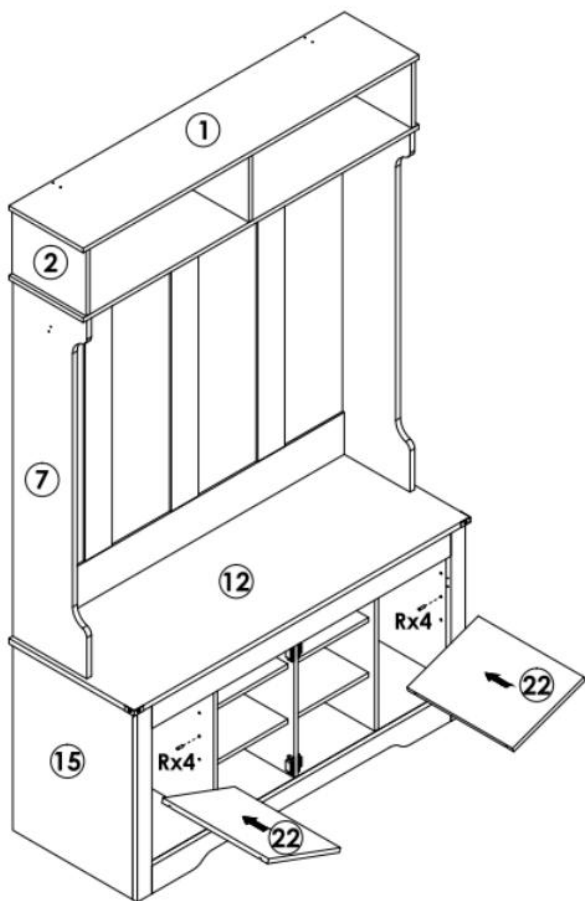
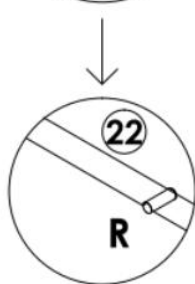
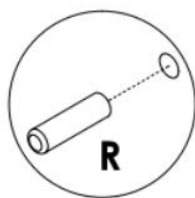
STEP 41



B x 12PCS



STEP 42



R x 8PCS

STEP 43



E x 4PCS



F x 2PCS



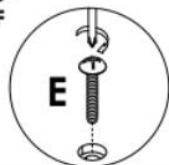
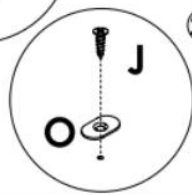
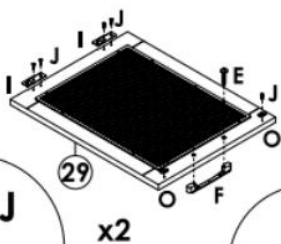
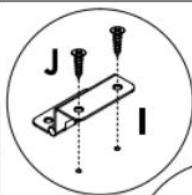
I x 4PCS



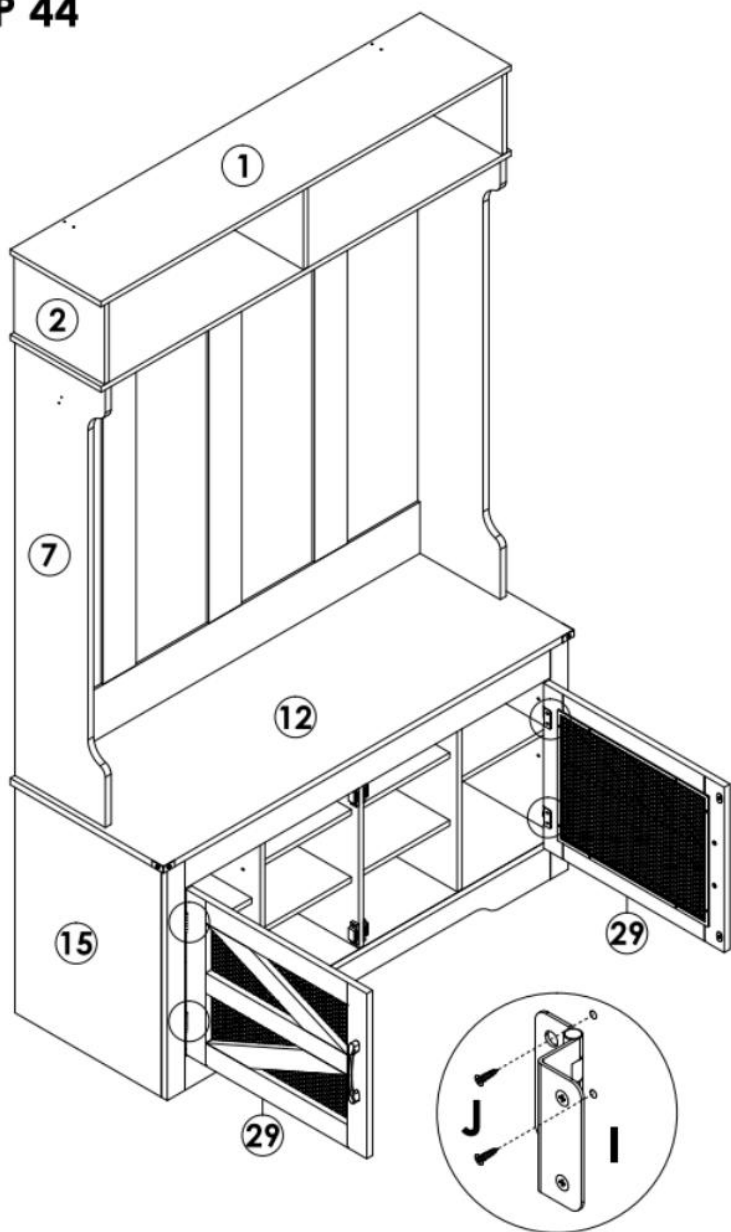
J x 12PCS



O x 4PCS

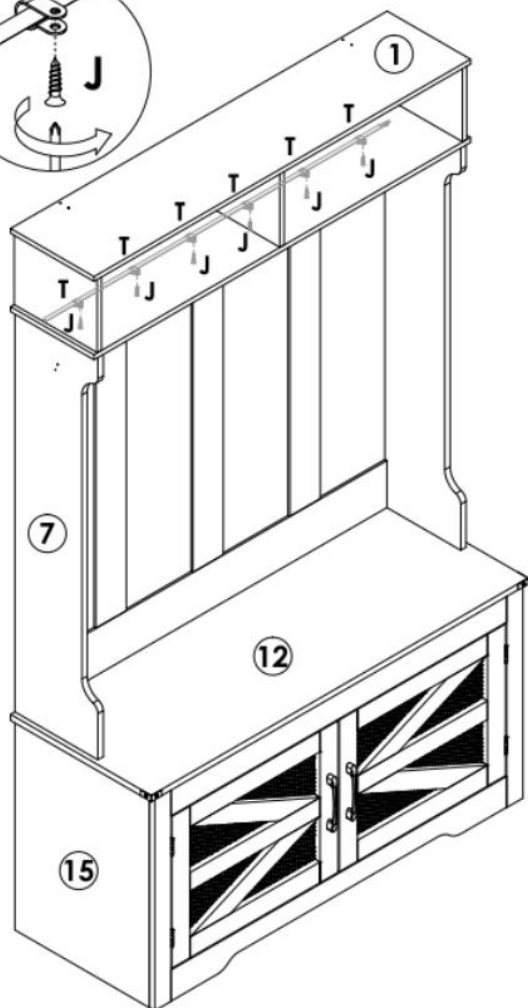
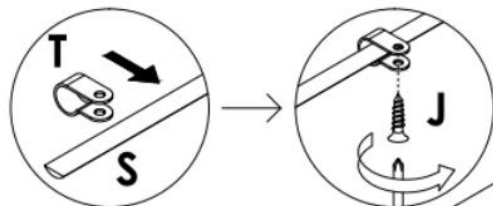
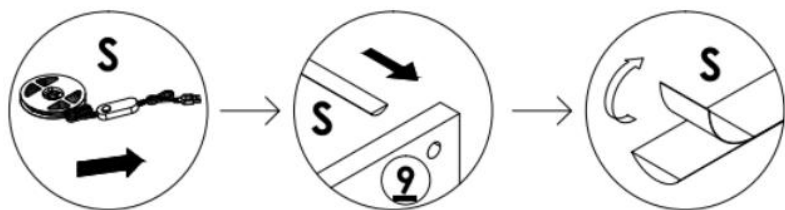





STEP 44



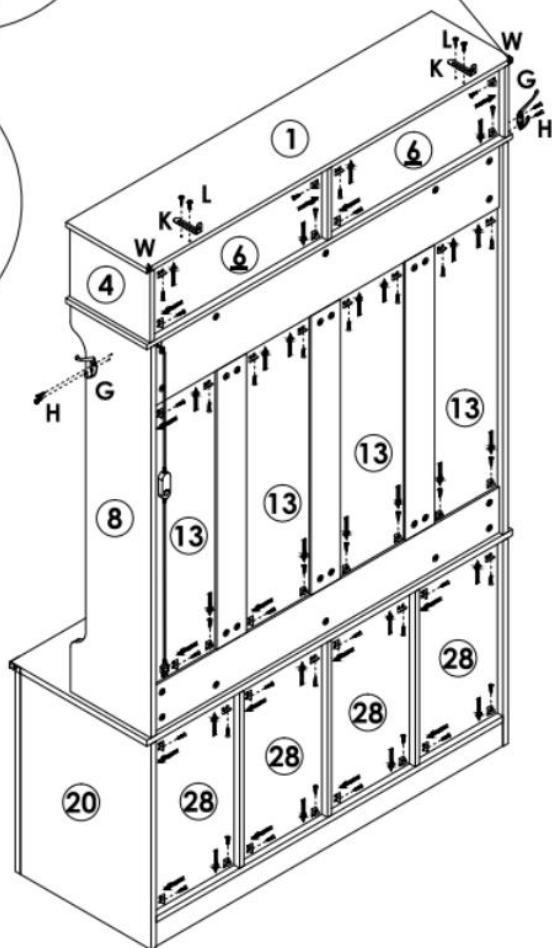
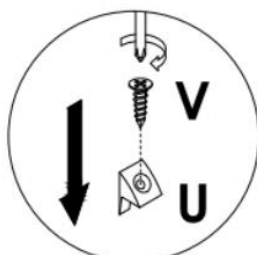
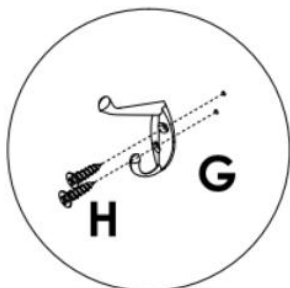
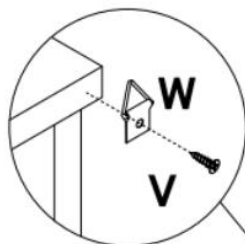
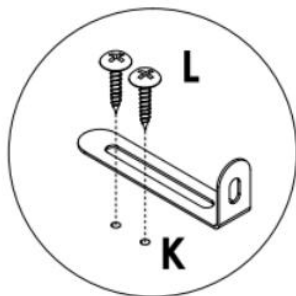
J x 8PCS


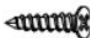

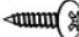

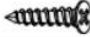

STEP 45



	J x 6PCS
	S x 1PC
	T x 6PC

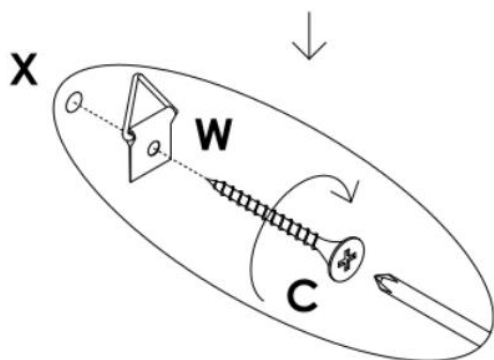
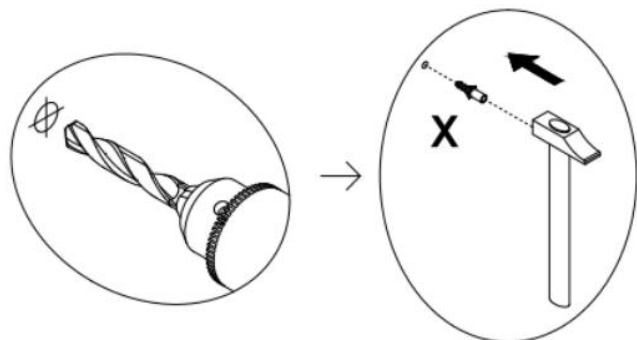
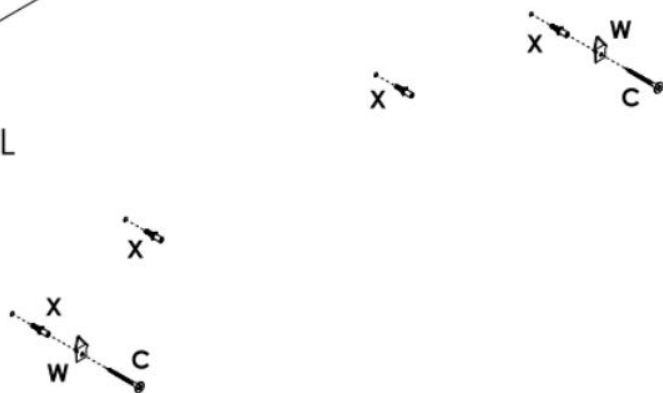
STEP 46

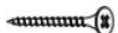




	G x 2PCS
	H x 4PCS
	K x 2PCS
	L x 4PCS
	U x 40PCS
	V x 42PCS
	W x 2PCS

STEP 47

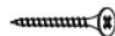
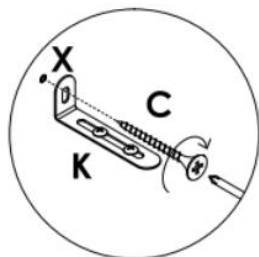
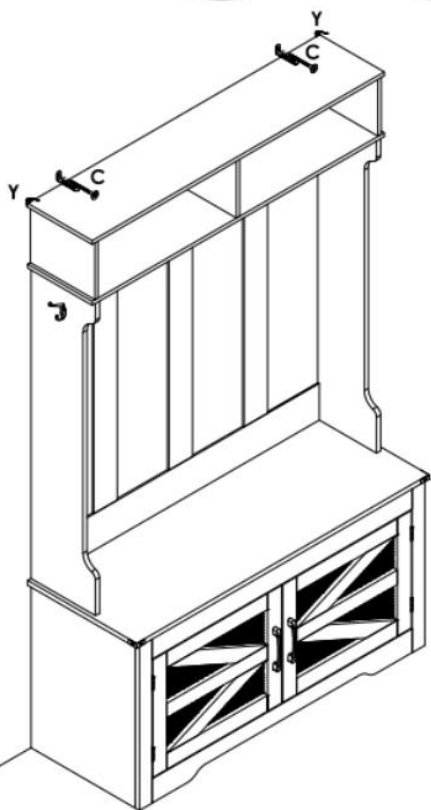
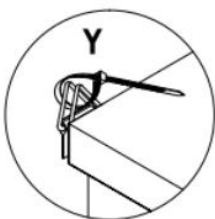
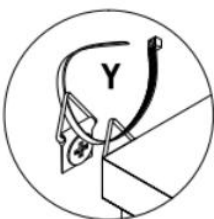
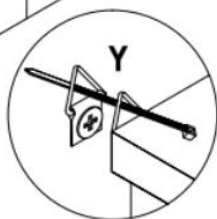
WALL



	C x 2PCS
	W x 2PCS
	X x 4PCS

STEP 48

WALL



C x 2PCS



Y x 2PCS

PRODUCT PARAMETER

Model	VVSC002
Safe Loading Weight	200 LBS
Colour	Body:White ; Seat Plate: Black
Product Size	1075*420*1727 mm



This product is subject to the provision of European Directive 2012/19/EC. The symbol showing a wheeled bin crossed through indicates that the product requires separate refuse collection in the European Union. This applies to the product and all accessories marked with this symbol. Products marked as such may not be discarded with normal domestic waste, but must be taken to a collection point for recycling electrical and electronic devices.

Manufacturer: Shanghaimuxinmuyeyouxiangongsi

Address: Shuangchenglu 803nong11hao1602A-1609shi, baoshanqu, shanghai 200000 CN.

Imported to AUS: SIHAO PTY LTD. 1 ROKEVA STREETEASTWOOD NSW 2122 Australia

Imported to USA: Sanven Technology Ltd. Suite 250, 9166 Anaheim Place, Rancho Cucamonga, CA 91730

EC	REP
-----------	------------

E-CrossStu GmbH
Mainzer Landstr.69, 60329 Frankfurt am Main.

UK	REP
-----------	------------

YH CONSULTING LIMITED.
C/O YH Consulting Limited Office 147, Centurion House, London Road, Staines-upon-Thames, Surrey, TW18 4AX

VEVOR[®]

TOUGH TOOLS, HALF PRICE

Technical Support and E-Warranty Certificate

www.vevor.com/support