

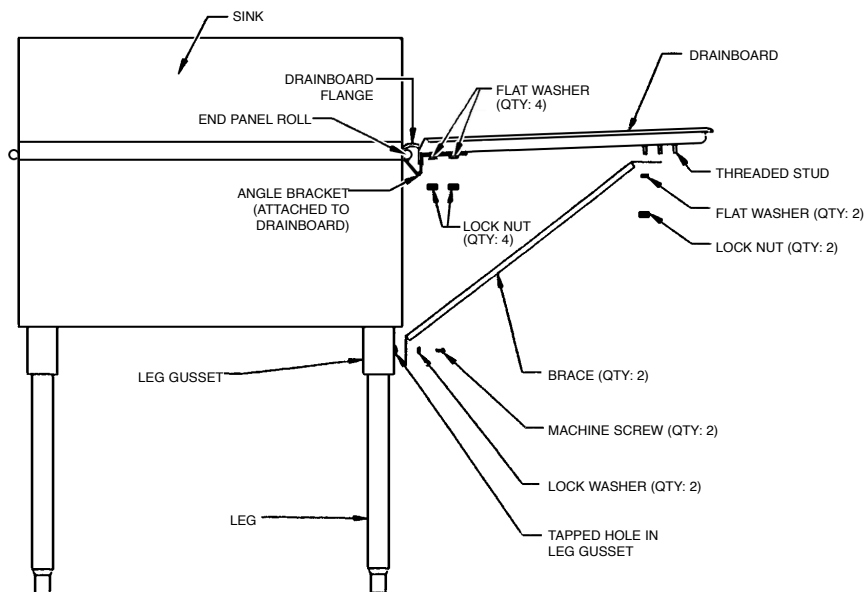
Detachable Drainboard (less than 30" length*)

INSTALLATION INSTRUCTIONS

* For Drainboard 30" and longer, see back page.

CAUTION

INSPECT CONTENTS IMMEDIATELY AND FILE CLAIM WITH DELIVERING CARRIER FOR ANY DAMAGE.
SAVE YOUR BOX AND ALL PACKING MATERIALS.
YOU ARE RESPONSIBLE FOR DAMAGE TO YOUR UNIT IF RETURNED IMPROPERLY PACKED.



Parts List

qty	description
2	braces
2	machine screws
2	lock washers
6	flat washers
6	lock nuts
1	angle bracket
1	drainboard

1 Legs

If legs are not already installed under the sink, install the legs into the leg gussets. Attach brace to a leg gusset with lock washers and machine screws included. Repeat with remaining brace and leg gusset.

2 Angle Bracket

Mount the drainboard to the sink so that the angle bracket catches tightly under the end panel roll of the sink, and that the drainboard flange goes over the top of the end panel roll.

Note: Ensure angle bracket is attached to drainboard with 4 flat washers and 4 lock nuts.

3 Brace

Determine the desired pitch of the drainboard and mount the brace to the appropriate threaded stud with flat washers and lock nuts included.

Installation is complete.

(End)

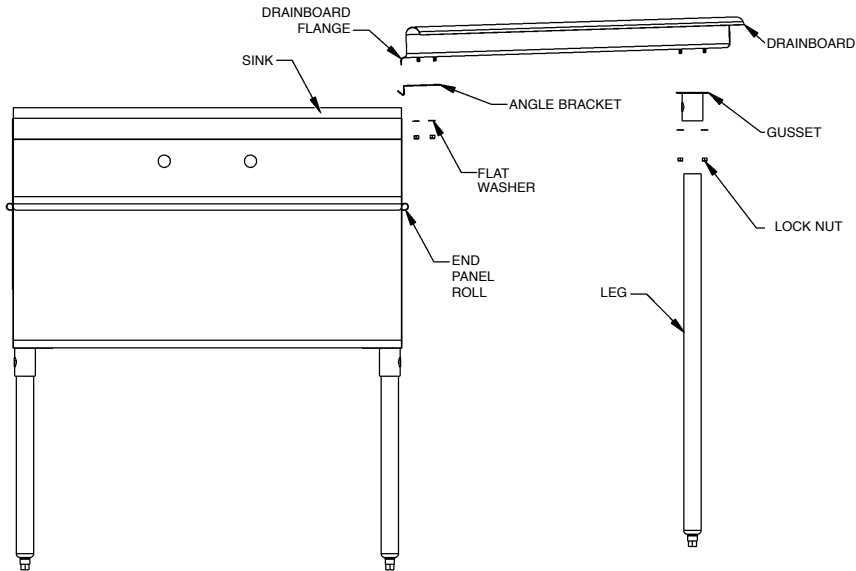
Detachable Drainboard (30" and longer*)

INSTALLATION INSTRUCTIONS

* For Drainboard less than 30" long, see front page.

CAUTION

INSPECT CONTENTS IMMEDIATELY AND FILE CLAIM WITH DELIVERING CARRIER FOR ANY DAMAGE.
SAVE YOUR BOX AND ALL PACKING MATERIALS.
YOU ARE RESPONSIBLE FOR DAMAGE TO YOUR UNIT IF RETURNED IMPROPERLY PACKED.



Parts List

<i>qty</i>	<i>description</i>
2	legs
2	gussets
12	flat washers
12	lock nuts
1	angle bracket
1	drainboard

1 Gussets

With flat washers and lock nuts provided, install the 2 gussets to the underside of the drainboard.

2 Legs

Install the legs into the leg gussets under the drainboard.

3 Angle Bracket

Hook the drainboard flange over the top of the sink's end panel roll. Attach the angle bracket to the underside of the drainboard with 4 flat washers and 4 lock nuts. Make sure the angle bracket catches tightly under the end panel roll.

4 Feet

Adjust the feet to provide the desired pitch for drainage.

Installation is complete.

(End)