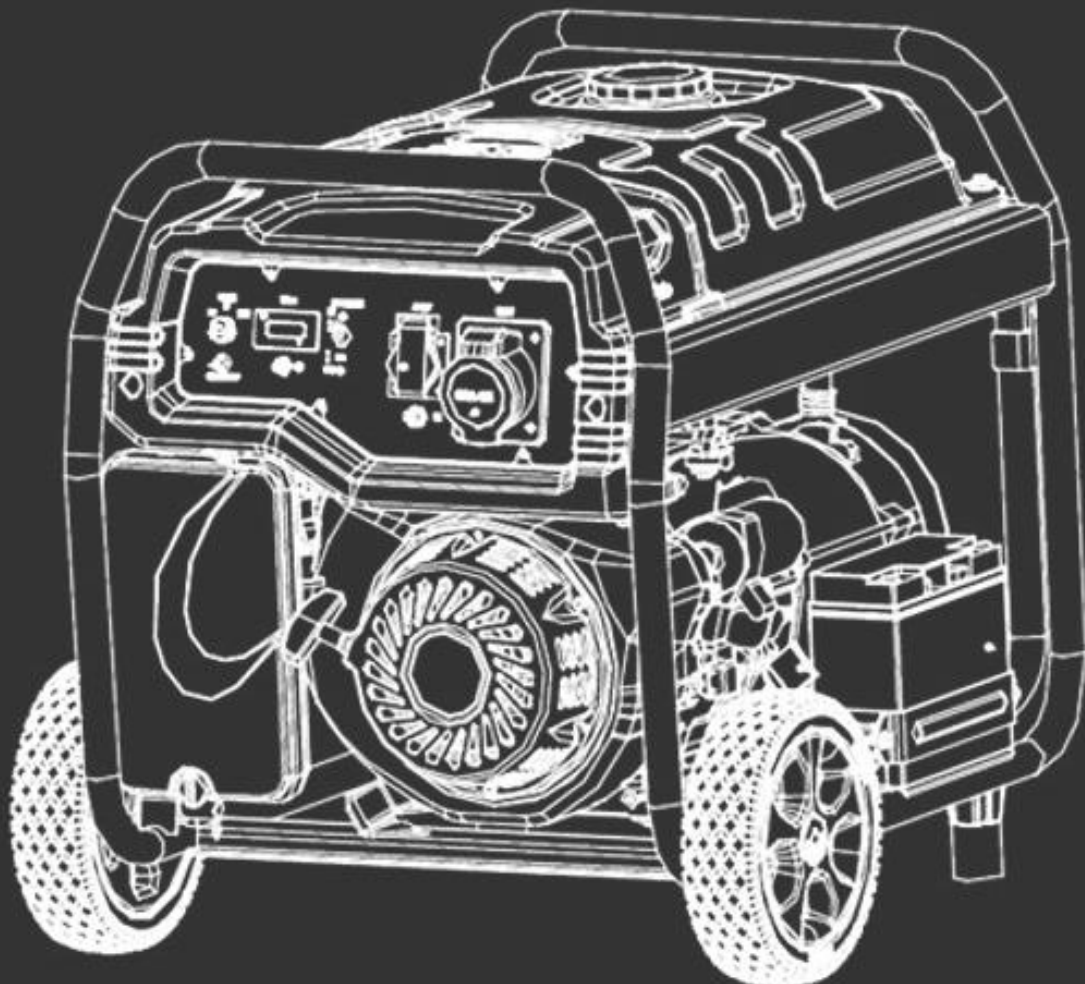


# OPEN FRAME PETROL GENERATORS

HY2800L-2, HY3800L-2, HY3800LEK-2, HY7000LEK-2,  
HY9000LEK-2 & HY10000LEK-2

---

User Manual





## CONTENTS

PAGE N<sup>o</sup>/s

1.	SAFETY	4 – 8
2.	UNPACKING & ASSEMBLY	8 – 9
3.	PARTS LOCATIONS	10
4.	PREPARATION FOR USE	11 - 12
5.	STARTING & STOPPING MACHINE	13 - 16
6.	MAINTENANCE	17 – 20
7.	STORAGE & TRANSPORTATION	21
8.	SPECIFICATION	22
9.	RECYCLING & PRODUCT DISPOSAL	23
10.	DECLARATIONS of CONFORMITY	24
11.	CONTACT DETAILS	25
12.	MANUAL UPDATES	25
13.	WARRANTY	25



# 1. SAFETY

## 1.1. General safety notes.















1.1.1. The operator of the machine is responsible for, and has a duty of care in making sure that the machine is operated safely and in accordance with the instructions in this user manual. Keep the manual safe and pass it on if the machine is loaned or sold to another user.

1.1.2. Please note the following safety points.

1.1.2.1. The machine should never be left in a condition which would allow an untrained or unauthorised person/s to operate this machine.

1.1.2.1.1. All due care and diligence should be taken by the operator for the safety of, and with regard to, those around whilst using the machine.

1.1.2.1.2. Some or all of the following - warning signs, symbols and/or PPE pictograms may appear throughout this manual. You **MUST** adhere to their warning/s. Failure to do so may result in personal injury to yourself or those around you.

The FOLLOWING safety notes will help avoid or reduce risk of injury or death.							
 <b>DANGER</b>		 <b>WARNING</b>		 <b>CAUTION</b>			
Indicates a hazard, which, if not avoided, could result in serious injury or death.		Indicates a hazard, which, if not avoided, could result in serious injury.		Indicates a hazard which, if not avoided, might result in minor or moderate injury.			
 <b>NOTE</b>							
Indicates a situation that could easily result in equipment damage.		READ and keep the manual safe and pass it on if the machine is loaned or sold to another user.		You <b>MUST</b> fully read instructions to make sure you use and operate machine safely.			
Appropriate Personal Protective Equipment (PPE) MUST be worn at all times when machine is in use or being repaired.							
 HAND PROTECTION MUST BE WORN	 EYE PROTECTION MUST BE WORN	 PROTECTIVE CLOTHING MUST BE WORN	 HEARING PROTECTION MUST BE WORN	 FOOT PROTECTION MUST BE WORN	 HEAD PROTECTION MUST BE WORN	 RESPIRATOR MUST BE WORN	 FACE SHIELD MUST BE WORN
ALWAYS keep the working area clear of non-essential people to include, but not limited to, children, the elderly and vulnerable persons. NEVER ALLOW an untrained person to use this machine.							

## 1.2. Carbon monoxide.

- 1.2.1. Carbon monoxide is a colourless and odourless gas. Inhaling this gas can cause death as well as serious long term health problems such as brain damage.
- 1.2.2. The symptoms of carbon monoxide poisoning can include but are not limited to the following;

Headaches, dizziness, nausea, breathlessness, collapsing or loss of consciousness.

- 1.2.2.1. Carbon monoxide poisoning symptoms are similar to flu, food poisoning, viral infections and simply tiredness. It is quite common for people to mistake this very dangerous poisoning for something else.
- 1.2.2.2. To avoid carbon monoxide poisoning **DO NOT** use Petrol/Diesel-powered equipment inside any of the following;

Home, garage, tent, camper van, mobile home, caravan or boat.

**This list is not exhaustive and if you are in any doubt contact your dealer.**

- 1.2.3. If you think you have or someone around you has been affected by carbon monoxide poisoning;
  - 1.2.3.1. Get them fresh air immediately, by leaving the affected area or by opening doors and windows. If safe and practical to do so make sure that the machine is turned off. **DO NOT** enter a room you suspect of having carbon monoxide present – instead call the emergency services.
  - 1.2.3.2. Contact a doctor immediately or go to hospital - let them know that you suspect carbon monoxide poisoning.
- 1.2.4. **DO NOT** use in an enclosed area or a moving vehicle.



### 1.3. General fuel safety.

 **CAUTION**      ALL FUELS ARE FLAMMABLE

1.3.1. Fire hazard - keep fuel away from all sources of ignition for example heaters, lamps, sparks from grinding or welding.



Fire Hazard

1.3.2. DO NOT carry out hot work on tanks that have contained fuel it is extremely dangerous.

1.3.3. ALWAYS keep work area clean and tidy.

1.3.4. ALWAYS clean up all spills promptly using correct methods i.e. absorbent granules and a lidded bin.

1.3.5. ALWAYS dispose of waste fuels correctly.

1.4. Fueling/De-fueling (where applicable).

 **CAUTION**      ALL FUELS ARE FLAMMABLE

1.4.1. ALWAYS fuel and defuel in a well-ventilated area outside of buildings.

1.4.2. ALWAYS wear correct, suitable and fit for purpose Personal Protective Equipment (PPE), suggested items are but not limited to safety gloves and overalls.



1.4.3. When fueling/de-fueling ALWAYS avoid inhaling fumes

1.4.4. When de-fueling ALWAYS use a propriety fuel retriever.

1.4.5. ALWAYS carry fuel in the correct and clearly marked container.



Fire Hazard

### 1.5. Electrical safety.



Risk of electric shock

1.5.1. Electricity can kill - NEVER work on LIVE/ENERGISED equipment.

- 1.5.2. Prior to carrying out any maintenance work you MUST Identify electrical isolation methods and isolate all electrical supplies,
- 1.5.3. Prior to use and with all electrical supplies isolated You MUST check all electrical cables, plugs and connections for the following;
  - 1.5.3.1. Are intact and have no signs of damage, to include but not limited to bare wires, chaffing, cuts and loose wiring.
  - 1.5.3.2. If there are any signs of damage, the damaged item MUST be taken out of service until the damage has been repaired by an electrically competent person.
  - 1.5.3.3. All trailing cables should be routed so as not to cause any kind of trip hazard.
  - 1.5.3.4. NEVER work on or near electricity with wet hands, wet clothing, and wet gloves.

1.6. Batteries (Not fitted on HY2800L-2/HY3800L-2 models).



Corrosive

- 1.6.1. Batteries present a risk if they become damaged by the possible leaking of electrolyte. This electrolyte is an acid and can cause serious burn injuries. Care should be taken when working on or near them. NOTE the electrolyte may be in liquid or gel form.
- 1.6.2. Should you come into contact with electrolyte you should;
  - 1.6.2.1. Remove all clothing contaminated with electrolyte. If you cannot remove then saturate in water.
  - 1.6.2.2. Get medical assistance as soon as possible. You must advise the medical staff of the type acid.
    - 1.6.2.2.1. Lead/acid battery = dilute sulphuric acid
    - 1.6.2.2.2. Nickel/cadmium = potassium hydroxide alkali electrolyte.
  - 1.6.2.3. Use fresh running water to wash off excess electrolyte, continue this until medical assistance arrives. Make sure that you do not wash the electrolyte to another part of the face or body.
  - 1.6.2.4. If electrolyte comes into contact with Eyes the electrolyte needs to be immediately washed away with large amounts of water. Make sure that you do not wash the electrolyte to another part of the face or body.
- 1.6.3. Gasses from charging batteries are highly flammable and great care should be taken to charge in well ventilated areas.
- 1.6.4. There is an explosion risk if the battery terminals are short circuited, when connecting/dis-connecting ALWAYS exercise great care so that the terminals or battery leads are NOT allowed to touch and cause a spark. ALWAYS use suitable insulated tools.



Risk of explosion

## 1.7. Noise.

- 1.7.1. The operating noise of the machine can damage your hearing. Wear hearing protection such as earplugs or ear defenders to protect your hearing. Long-term and regular users are advised to have hearing checked regularly. Be especially vigilant and cautious when wearing hearing protection because your ability to hear alarm warnings will be reduced.
- 1.7.2. Noise emissions for this equipment is unavoidable. Carry out noisy work at approved times and for certain periods. Limit the working time to a minimum. For your personal protection and protection of people working nearby it is also advisable for them to wear hearing protection.
- 1.7.3. See CERTIFICATE of CONFORMITY section for Outdoor Noise declaration of conformity.



## 2. UNPACKING & ASSEMBLY

### 2.1. Unpacking.

- 2.1.1. Place the carton on a firm flat surface.
- 2.1.2. Remove everything from the carton except the generator.
- 2.1.3. Open the carton by carefully cutting the carton down each corner, being careful not to cut the machine.
- 2.1.4. Leave the generator on the carton while you install the wheel kit.

**N.B. The HY2800L-2/HY3800L-2 versions DO NOT come with wheel kits.**

### 2.2. Packing contents.

- 2.2.1. Owner's manual – quantity 1.
- 2.2.2. Wheels – quantity 2.
- 2.2.3. Handle assembly – quantity 1.
- 2.2.4. Wheel axle – quantity 2.
- 2.2.5. Hardware bag comprising of;
  - 2.2.5.1. Spark plug socket – quantity 1.
  - 2.2.5.2. Socket bar – quantity 1.

**N.B. The above packaging contents in this manual are for reference only and do not represent for any specific model.**

### 2.3. Assembly.

- 2.3.1. The generator requires some assembly prior to first use.
- 2.3.2. The wheels are designed to give improved the portability.

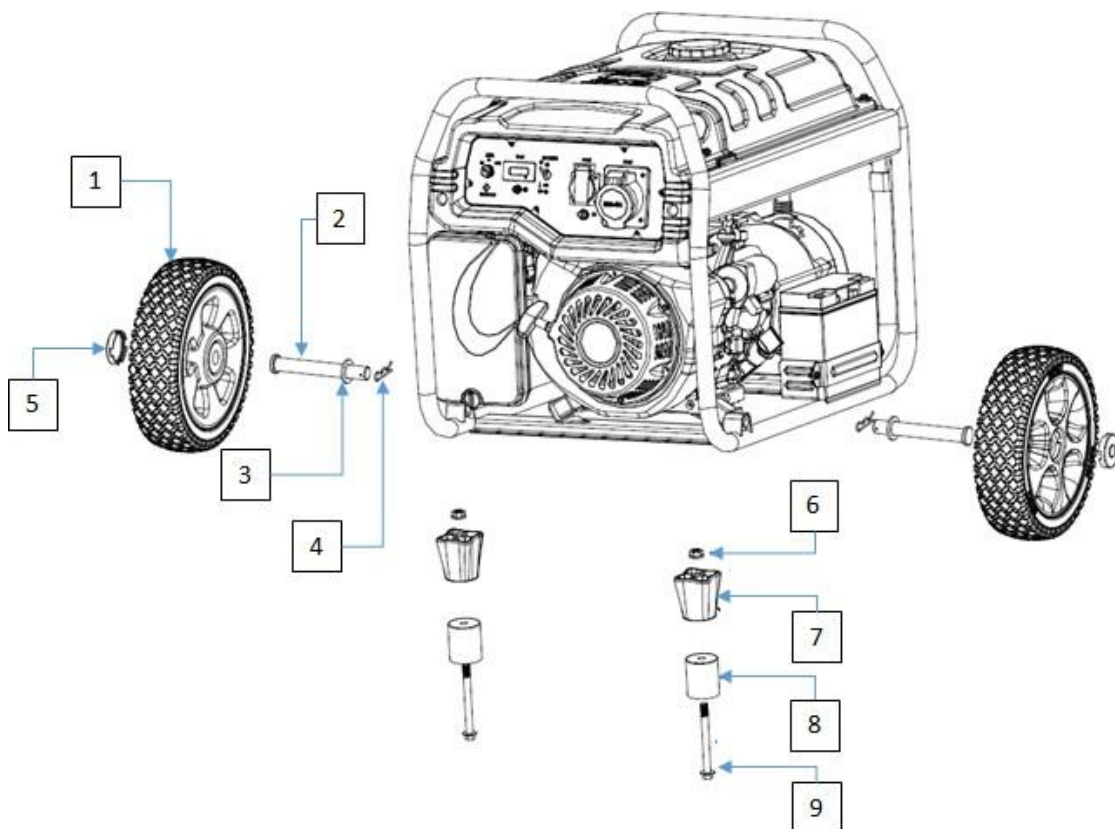
**N.B. The wheels are NOT intended for on road use.**

2.3.3. To install the wheels.

- 2.3.3.1. Slide the axle (2) through the wheel (1) from the outside then pass the axle through the flat washer (3) and through the frame.
- 2.3.3.2. Once axle is passed through the frame put the 'P' clip (4) through the axle hole.

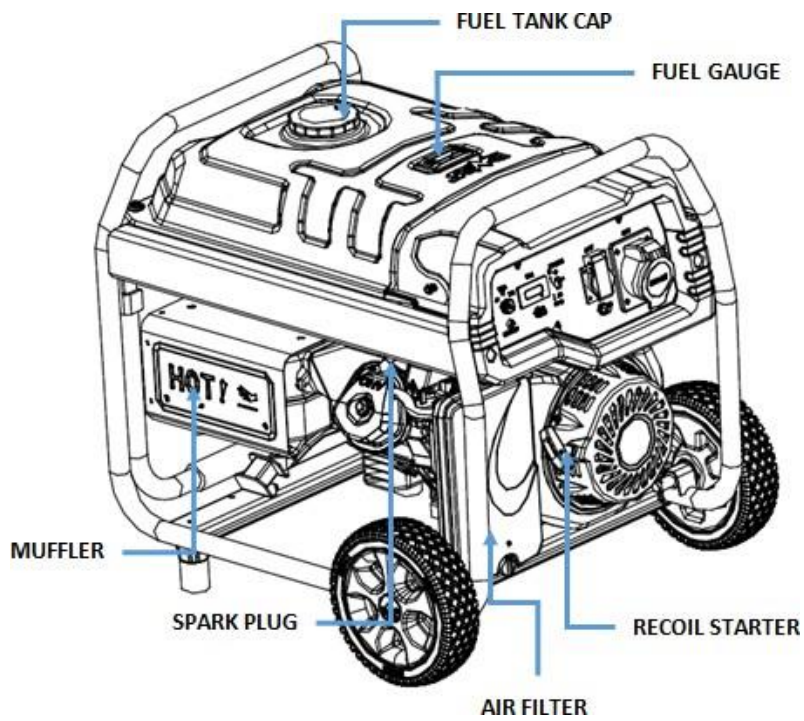
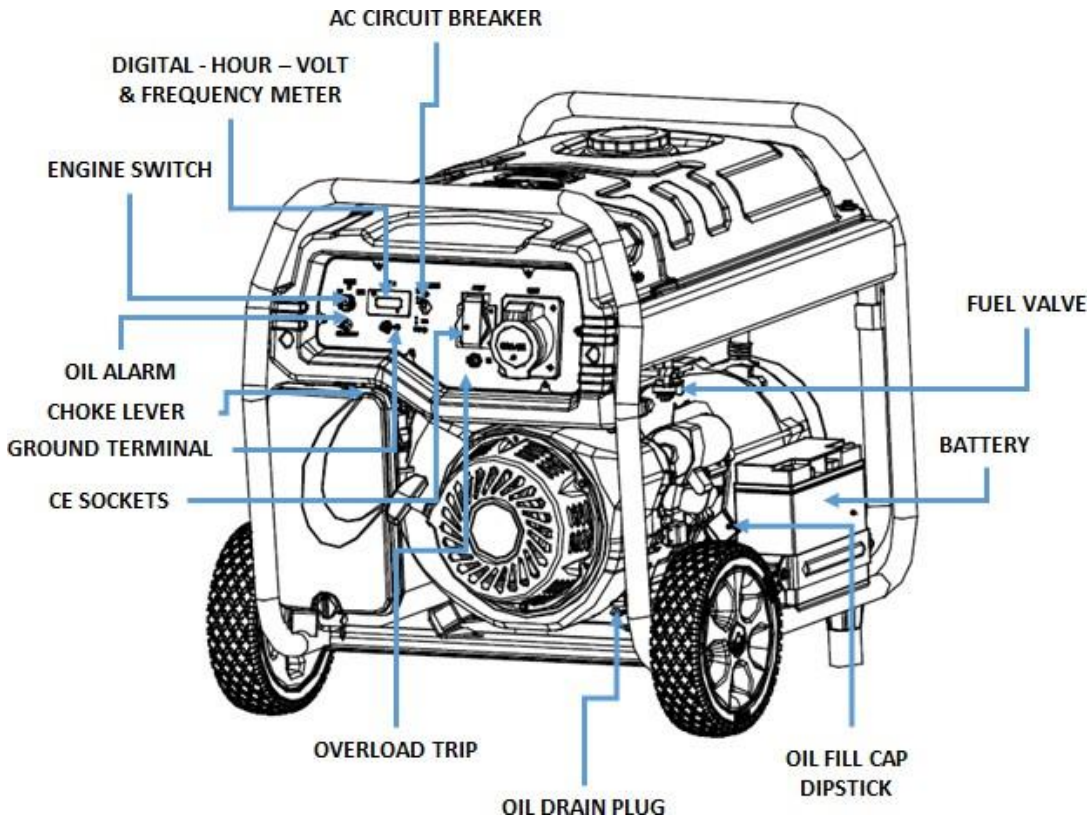
2.3.4. To fit the rubber feet.

- 2.3.4.1. Pass the bolt (9) through the rubber pad (8) and support (7).
- 2.3.4.2. Pass the end of the M8 bolt (9) through the frame and secure it in place with the M8 nut (6).



### 3. PARTS LOCATIONS

3.1. Generic locations – locations may vary slightly between models.



#### 4. PREPARATION BEFORE USE

##### **NOTE**

The machine is shipped without oil - You **MUST** add oil before using this machine.

4.1. Oil type – SAE15W40.

4.2. Adding oil.

4.2.1. Place the generator on a flat, level surface.

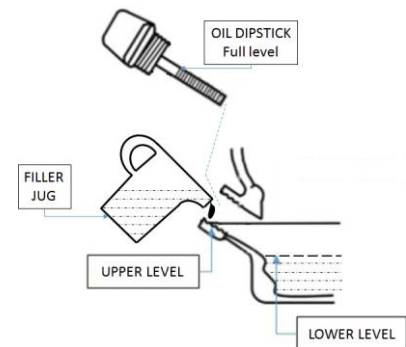
4.2.2. Clean area around oil filler and remove oil cap and dipstick. Wipe the dipstick clean.

4.2.3. Slowly fill the engine with oil through the oil filler until it reaches the upper thread of the filler hole or to the full mark on the dipstick.

4.2.4. Stop filling occasionally to check oil level. **DO NOT** over fill.

4.2.5. Refit the oil filler cap and make sure the cap is tightened.

4.2.6. You **MUST** check engine oil level before starting every session.



4.3. Fuel type Unleaded Petrol.

4.4. Adding fuel.

##### **CAUTION**

Do not overfill the fuel tank you **MUST** allow space for fuel expansion. If the fuel tank is overfilled, fuel can overflow onto a **HOT** engine and cause **FIRE** and/or **EXPLOSION**. If fuel does spill, wait until it evaporates before starting engine. Check fuel lines, tank, cap and fittings frequently for cracks or leaks. Replace as required.

4.4.1. **DO NOT** light cigarettes or smoke when filling the fuel tank. Fuel is highly **FLAMMABLE** and it's vapours are **EXPLOSIVE**.

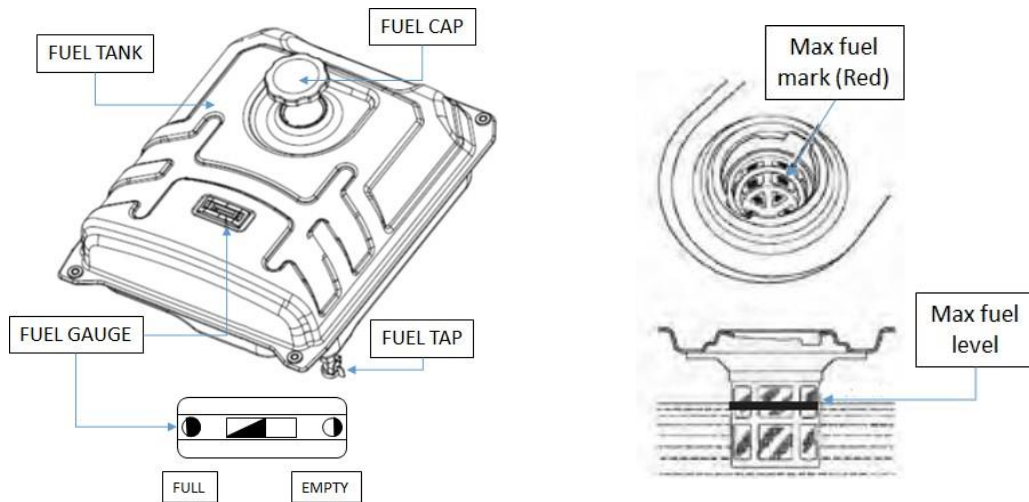
4.4.2. **NEVER** fill fuel tank when engine is running or hot. Turn generator engine **OFF** and allow engine to cool entirely before filling fuel tank.

4.4.3. Avoid spilling petrol onto **HOT** engine.

4.4.4. Keep fuel away from sparks, open flames, pilot lights, heat, and other sources of ignition.

4.4.5. **DO NOT** mix oil with petrol.

4.4.6. Once fueling has finished refit the fuel cap and fully tighten. Wipe up any spilled fuel before starting machine.



4.4.7. **IMPORTANT:** To prevent gum deposits from forming in fuel system parts such as the carburetor, fuel hose or tank during storage. Alcohol-blended fuels (called gasohol), ethanol or methanol can attract moisture, which leads to separation and formation of acids during storage. Acidic gas can damage the fuel system. Fuel should be emptied before storage for 30 days or longer. See the “Storage” section. **NEVER** use engine or carburetor cleaner products in the fuel tank as permanent damage may occur.

#### 4.5. Grounding (Earthing) the generator.

4.5.1. The Requirement for Electrical Installations BS 7971:2008 requires that the frame and external electrically conductive part of this generator be properly connected to an approved earth ground.

4.5.2. Proper grounding of the generator will help prevent electric shock in the event of ground fault condition in the generator or in connected electrical devices.

4.5.3. Proper grounding also helps dissipate static electricity, which often builds up in ungrounded devices.

#### 4.6. Floating earth portable generator use.

4.6.1. This range of generators adopt a floating earth configuration which means that the Neutral of the alternator is not connected to the Earth of the machine.

4.6.2. It is therefore **IMPORTANT** that you **ONLY** use the generator to supply equipment in the following combinations.

4.6.2.1. One or more of CLASS II equipment

4.6.2.2. Only **ONE** item of Class I equipment

4.6.2.3. One or more of CLASS II equipment and only **ONE** item of Class I equipment.

4.6.3. CLASS I equipment has a GREEN/YELLOW earth wire connected inside the plug.

4.6.4. CLASS II equipment **DOES NOT** have GREEN/YELLOW earth wire connected inside the plug.

4.6.5. CLASS II equipment will have the following symbol embossed or printed on the casing.



## 5. STARTING & STOPPING MACHINE

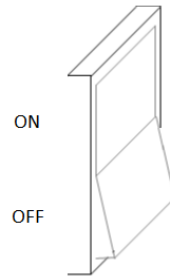
### NOTE

**WARNING** NEVER start or stop engine with electrical devices plugged into the power outlets and devices turned on. Unplug all electrical loads from the unit's power outlets, or make sure that the main breaker is OFF (down) position, before starting the engine.

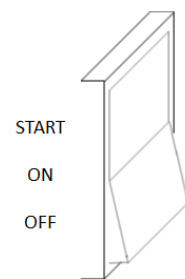
#### 5.1. Starting the engine – Recoil start.

5.1.1. On HY2800L-2/HY3800L-2 models press the engine switch (2 position switch) to ON position, on HY3800LEK-2, HY7000LEK-2, HY9000LEK-2 & HY10000LEK-2 models press the engine switch (3 position switch) to ON then to START position.

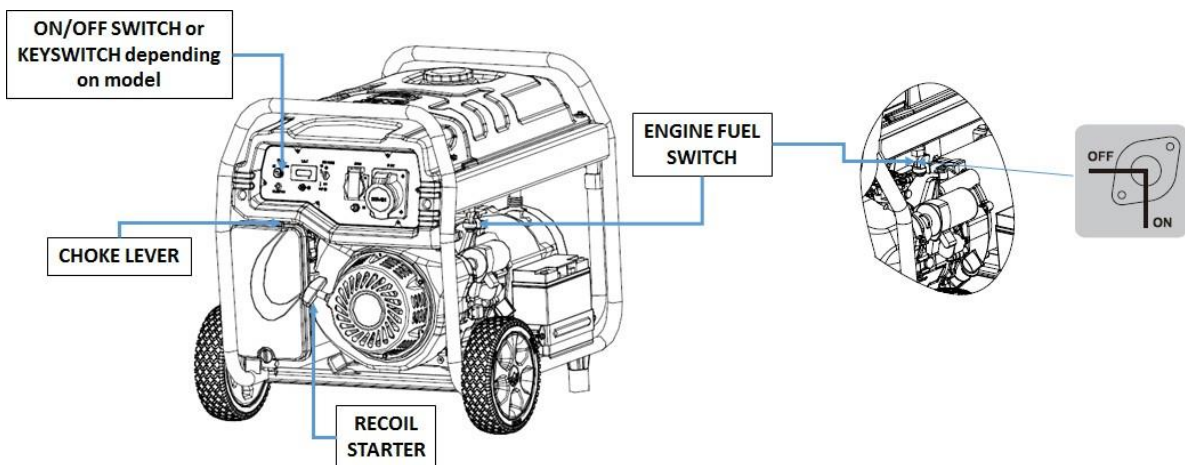
HY2800L-2/HY3800L-2 models



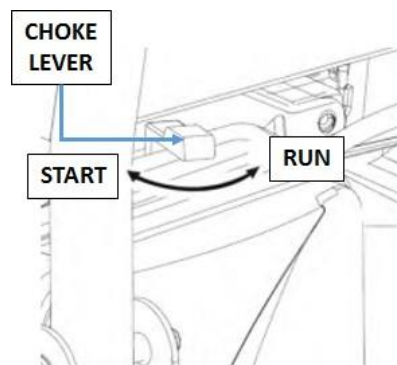
HY3800LEK-2, HY7000LEK-2, HY9000LEK-2 & HY10000LEK-2 models



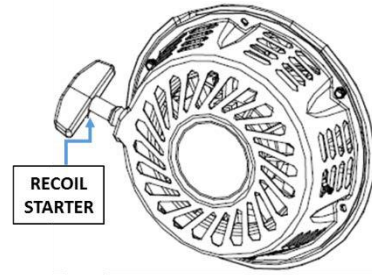
5.1.2. Turn the fuel tap to the ON position.



5.1.3. Move the engine choke lever to the START position.



- 5.1.4. For recoil start, firmly grasp the recoil handle and pull slowly until increased resistance is felt. Then pull rapidly up and away.
- 5.1.5. When the engine starts, move choke lever to the ½ - choke position till engine runs smoothly and then to RUN position. If engine falters, move the choke lever back to ½ - choke position until engine runs smoothly and then fully RUN position again.



**⚠ WARNING**

Starter cord kickback (rapid retraction) will pull hand and arm toward engine faster than you can let go which could cause broken bones, fractures, bruises, or sprains resulting in serious injury. When starting engine, pull cord slowly until resistance is felt and then pull rapidly to avoid kickback. NEVER wrap the starter cord around your hand.

**⚠ NOTE**

If engine fails to start after 3 pulls, or if unit shuts down during operation. Make sure the unit is on a flat level surface and check for proper oil level in crankcase. This engine is equipped with a low oil level protection device.

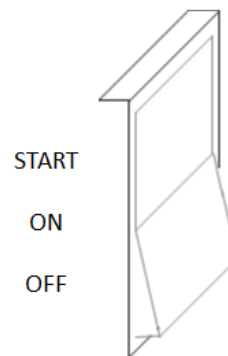
5.2. For electric start.

**⚠ NOTE**

If battery is discharged or unavailable, use manual starting instructions as above.

- 5.2.1. Follow steps 5.1.1. To 5.1.3.
- 5.2.2. Press and hold the switch at the "START" position until generator starts.

HY3800LEK-2, HY7000LEK-2, HY9000LEK-2 & HY10000LEK-2 models



- 5.2.3. To prolong the life of starter motor and starter components, DO NOT press the start switch in the "START" position for more than 5 seconds, you MUST then pause for at least 1 minute between starting attempts.
- 5.2.4. When the engine starts, move the choke lever to ½ - choke position till engine runs smoothly and then to RUN position. If the engine falters, move the choke lever back to ½ - choke position until engine runs smoothly and then fully RUN position again.



 **WARNING**

Exhaust system heat and/or gases could ignite combustible, structures or damage the fuel tank causing a fire, resulting in death, serious injury and/or property damage. Contact with muffler area could cause burn resulting in serious injury.

DO NOT touch hot part and AVOID hot exhaust gases.

You MUST allow the equipment to cool before touching.

Keep at least 5 feet (152 cm) of clearance on all sides of generator including overhead.

**IMPORTANT** DO NOT overload the generator. DO NOT overload individual output sockets. These outlet sockets are protected against overload with push-to-reset-type circuit breakers. If current rating of any circuit breaker is exceeded, that breaker will open and the electrical output to that socket will be lost.

5.3. Connecting electrical loads.

5.3.1. Let the engine run until the rpm is stable and has been allowed to warm up for a few minutes after starting.

5.3.1.1. Then plug in and turn on the electrical loads.

5.3.1.2. Add up the rated watts (or amps) of all loads to be connected at one time. This total should not be greater than;

5.3.1.2.1. The circuit breaker rating of the output socket supplying the power or,

5.3.1.2.2. The rated wattage/current capacity of the generator.

 **NOTE**

Connect all electrical loads in the OFF position then turn ON for operation.

Turn all electrical loads OFF and disconnect from generator before stopping generator. # Exceeding generators wattage/current capacity could damage generator and/or electrical devices connected to it.

DO NOT exceed the generator's wattage/current capacity.

**# Failure to disconnect the electrical load before switching the generator OFF may damage the AVR.**

5.4. Overloading.

5.4.1. Overloading a generator in excess of its rated wattage capacity can result in damage to the generator and to connected electrical devices.

5.4.2. Observe the following to prevent overloading of the unit;

5.4.2.1. Add up the total wattage of all electrical devices to be connected at one time. This total should NOT be greater than the generator's wattage capacity.

5.4.2.2. The rated wattage of lights can be taken from light bulbs. The rated wattage of tools, appliances and motors can usually be found on a data label or decal affixed to the devices. If the appliance, tool or motor does not give wattage, multiply volts times ampere rating to determine watts (volts × amps = watts).

5.4.2.3. Some electrical induction motors, require about three times more power for starting than for running. This surge of power only lasts a few seconds when starting. You **MUST** make sure you allow for high starting wattage when selecting electrical devices to connect to the generator;

5.4.2.3.1. Calculate the watts needed to start the largest motor.

5.4.2.3.2. Add to that figure the running watts of all other connected loads. Start the largest motor first and only one motor at a time.

#### 5.5. Stopping the engine.

5.5.1. Switch off all loads then unplug them from the generator outlet sockets. NEVER start or stop the engine with electrical devices plugged in and turned on. Switch the main breaker down (OFF).

5.5.2. Let the engine run with no-load for several minutes to stabilise the internal temperatures of engine and generator.

5.5.3. Move the engine switch to the OFF position,

5.5.4. Close the fuel valve.

#### 5.6. Low oil level system shutdown.

5.6.1. The engine is equipped with a low oil level sensor that shuts down the engine automatically when the oil level drops below a specified level.

5.6.2. If the engine shuts down by itself and the fuel tank has enough petrol, check the engine oil level. Engine oil level should be checked daily.

#### 5.7. High altitude.

5.7.1. To remain emissions compliant at high altitude (altitudes over 5,000 feet or 1524 meters) adjustment is required. This adjustment will cause decreased performance, increased fuel consumption, and increased emissions. Contact your dealer for high altitude adjustment information.

5.7.2. Operation of the engine at altitudes below 2,500 feet or 762 meters with the high altitude kit is not recommended.

## 6. MAINTENANCE

6.1. Follow the maintenance intervals shown below. More frequent service is required when operating in adverse conditions.

<b>MAINTENANCE SCHEDULE</b>	
After first 10 hours	Change the engine oil - use SAE15W40
Every 8 hours or Daily	Clean the machine
	Check the engine oil level
Every 25 hours or Yearly	Clean the engine air filter
Every 100 hours or Yearly	Change the engine oil - use SAE15W40
Yearly	Replace the engine air filter
	Service the fuel valve
	Service the spark plug
	Check the muffler and the spark arrester
	Clean the cooling system

6.2. General recommendations.

- 6.2.1. The warranty of the generator does not cover items that have been subjected to operator abuse or negligence. To receive full value from the warranty, the operator must maintain the generator as instructed in this manual. Some adjustments will need to be made periodically to properly maintain the generator.
- 6.2.2. All adjustments in the Maintenance section of this manual should be made at least once each season. Follow the requirements in the "Maintenance Schedule".

**IMPORTANT** Once a year replace the spark plug and the air filter. A new spark plug and a clean air filter helps the engine run better and last longer.

6.2.3. Generator maintenance.

- 6.2.3.1. Generator maintenance consists of keeping the unit clean and dry. Operate and store the unit in a clean dry environment where it will not be exposed to excessive dust, dirt, moisture or any corrosive vapors. Cooling air slots in the generator must not become clogged with snow, leaves, or any other foreign material. **DO NOT** use the machine where it can become exposed to rain, snow, sleet or any other type of moisture.
- 6.2.3.2. Check the cleanliness of the generator frequently and clean when dust, dirt, oil, moisture or other foreign substances are visible on its exterior surface.

### **CAUTION**

Never insert a finger, object or tool through the air cooling slots, even if the engine is not running.

### **NOTE**

**DO NOT** use a garden hose or pressure washer to clean the generator. Water can enter the engine fuel system and cause problems. In addition, if water enters the generator through

the cooling air slots, some water will be retained in voids and crevices of the rotor and stator winding insulation which can cause electrical shorts circuits and damage the alternator. Water and dirt build up on the generator internal windings will eventually decrease the insulation resistance of these windings.

#### 6.2.4. Cleaning the external of the generator.

- 6.2.4.1. Use a damp cloth to wipe the exterior surfaces.
- 6.2.4.2. A soft, bristle brush may be used to remove dirt, oil etc.
- 6.2.4.3. A vacuum cleaner may be used to pick up loose dirt and debris.
- 6.2.4.4. Low pressure air (not to exceed 25 psi) may be used to blow away dirt.
- 6.2.4.5. Check cooling air slots and openings on the generator. These openings must be kept clean and unobstructed.

### 6.3. Engine Maintenance.

#### WARNING

When working on the generator, you **MUST** always disconnect the spark plug HT cable from the spark plug and keep the cable away from the spark plug. The fuel tap should also be in the OFF position.

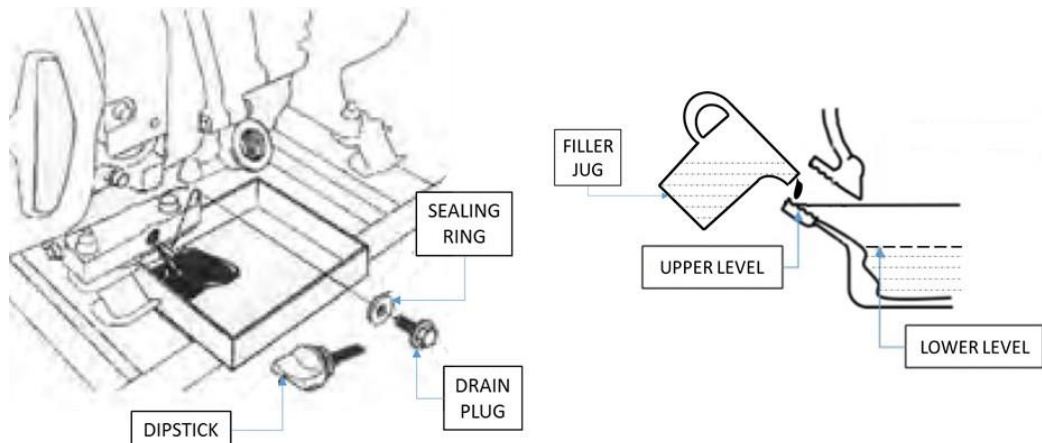
#### 6.4. Oil change.

#### CAUTION

Hot oil may cause burns. Allow engine to cool before draining oil. Avoid prolonged or repeated skin exposure to used oil. Thoroughly wash exposed areas with soap.

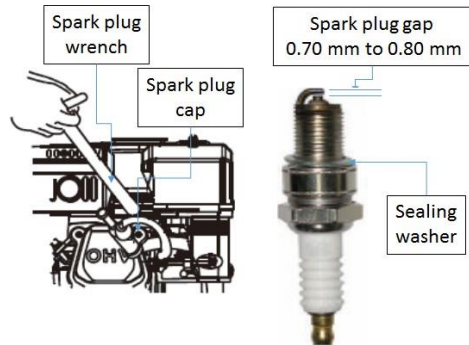
#### 6.4.1. Before starting you **MUST** allow the engine to cool down slightly. While the engine is cooling down;

- 6.4.1.1. Clean area around oil drain plug.
- 6.4.1.2. Remove oil drain plug and dipstick from the engine to drain oil completely into a suitable container.
- 6.4.1.3. When oil has completely drained, refit the oil drain plug and fully tighten.
- 6.4.1.4. Fill the engine with recommended oil. SA15W40
- 6.4.1.5. Wipe up any spilled oil.
- 6.4.1.6. Dispose of used oil at a proper collection center.
- 6.4.1.7. Refit the dipstick.



#### 6.4.2. Spark plug replacement.

- 6.4.2.1. Use spark plug F6TC, BPR4ES or Champion RN14YC. Replace the plug once each year. This will help the engine to start easier and run better.
- 6.4.2.2. Stop the engine and remove the HT lead from the spark plug.
- 6.4.2.3. Clean the area around the spark plug and remove it from the cylinder head.
- 6.4.2.4. Set the spark plug's gap to 0.70-0.80 mm (0.028-0.031 in.). Install the correctly gapped spark plug into the cylinder head and torque to 15ft/lbs.

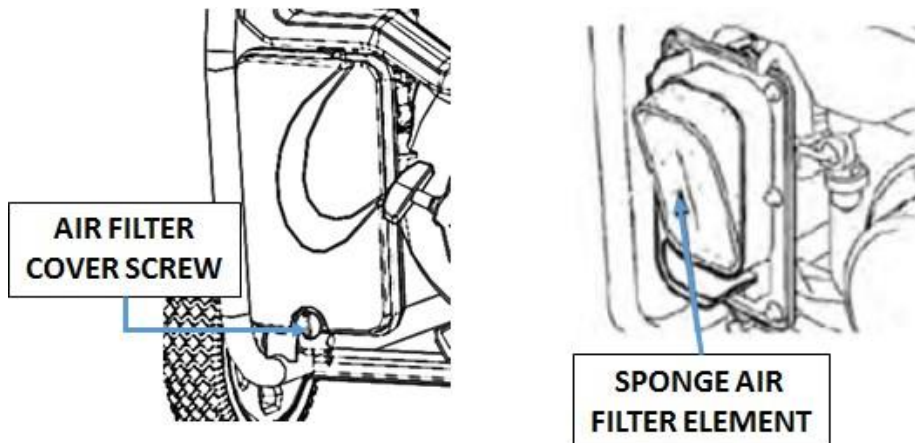


#### 6.4.3. Spark arrester service. # Spark arrester fitment may vary model to model.

- 6.4.3.1. Shut off generator and allow the engine and muffler to cool down completely before servicing spark arrester (located on the back of the muffler).
- 6.4.3.2. Remove the clamp and spark arrester screen.
- 6.4.3.3. Clean the spark arrester screen with a small wire brush.
- 6.4.3.4. Replace the spark arrester if it is damaged.
- 6.4.3.5. Refit the spark arrester.

#### 6.4.4. Air filter service.

- 6.4.4.1. The engine will not run properly and may be damaged if using a dirty air filter. Replace the air filter once a year. Clean or replace more often if operating under dusty conditions.
- 6.4.4.2. Undo air filter cover screw and remove air filter cover.
- 6.4.4.3. Remove sponge filter element.
- 6.4.4.4. Wash filter element in soapy water. Squeeze filter dry in clean cloth (DO NOT TWIST).
- 6.4.4.5. Clean air filter cover before re-installing it.
- 6.4.4.6. Put a drop of engine oil onto sponge filter element this will help avoid ice blocking it during winter season.



#### 6.4.5. Valve clearances.

**IMPORTANT** If you are not competent to carry out this procedure or the proper tools are not available. We advise that you take the generator to your dealer to have the valve clearance adjusted. This is a very important step to ensure longest life for the engine.

- 6.4.5.1. After the first 50 hours of operation, check the valve clearance in the engine and adjust if necessary.

#### 6.4.6. General.

- 6.4.6.1. The generator should be started at least once every seven days and be allowed to run for at least 30 minutes. If this cannot be done and the unit must be stored for more than 30 days, use the following information as a guide to prepare it for storage.

#### **WARNING**

NEVER store engine with fuel in tank indoors or in enclosed, poorly ventilated areas where fumes may reach an open flame, spark or pilot light as on a furnace, water heater, clothes dryer or other gas appliance.

#### **WARNING**

Drain the fuel into an approved container outdoors, away from open flame. Make sure that the engine is cool. DO NOT smoke in the vicinity. NEVER cover the generator while the engine and exhaust areas are HOT.

- 6.4.7. DO NOT store petrol from one season to another.
- 6.4.8. Replace the petrol container if it starts to rust. Rust and/or dirt in the petrol will cause problems with the carburetor and fuel system.
- 6.4.9. If possible, store the unit indoors and cover it to give it protection from dust and dirt.
- 6.4.10. Make sure that you empty the fuel tank.
- 6.4.11. If it is not practical to empty the fuel tank and the unit is to be stored for some time, use a commercially available fuel stabilizer added to the petrol to increase the life of the petrol.
- 6.4.12. Cover the unit with a suitable protective cover that does not retain moisture.

## 7. STORAGE & TRANSPORTATION

### 7.1. Storage.

- 7.1.1. It is important to avoid gum deposits from forming in essential fuel system parts such as the carburetor, fuel hose or tank during storage. Also, experience indicates that alcohol-blended fuels (called gasohol, ethanol or methanol) can attract moisture, which leads to separation and formation of acids storage. Acidic gas can damage the fuel system of an engine while in storage.
- 7.1.2. To avoid engine problems, the fuel system should be emptied before storage of 30 days or longer, empty fuel system as follows;
  - 7.1.2.1. Remove all petrol from the fuel tank.
  - 7.1.2.2. Start and run engine until engine stops from lack of fuel.
  - 7.1.2.3. While engine is still warm, drain oil from crankcase. Refill with recommended grade engine oil - SAE15W40.
  - 7.1.2.4. Remove the spark plug HT lead and spark plug and pour about 1/2 ounce (15 ml) of engine oil into the cylinder. Cover the spark plug hole with rag. Pull the recoil starter a couple times to lubricate the piston rings and cylinder bore.
  - 7.1.2.5. Install and tighten the spark plug. Do not re-connect spark plug HT lead.
- 7.1.3. Clean the generator outer surfaces.
- 7.1.4. Check that cooling air slots and openings on generator are clear of any obstructions.
- 7.1.5. Store the unit in a clean dry, dust and dirt free place which is clear of any flammable and combustible materials.

### 7.2. Transportation.

- 7.2.1. To avoid burn injuries you **MUST** allow the machine to cool fully when moving from one location to another. **DO NOT** move machine whilst it is still hot.
- 7.2.2. You **MUST** drain the fuel tank before moving in a vehicle. Turn the fuel tap to the OFF position.
- 7.2.3. To avoid injury or damage to the machine you **MUST** secure it whilst it is being transported in a vehicle.
- 7.2.4. **DO NOT** use in an enclosed area or a moving vehicle.

## 8. SPECIFICATION

	MODEL	HY2800L-2	HY3800L-2	HY3800LEK-2
ENGINE	Engine – hp	6.5	7	7
	Displacement – cc	196	210	210
	Engine speed - rpm	3000		
	Fuel tank capacity – l	15	15	15
	Fuel type	Straight unleaded petrol		
	Oil type	SAE15W40		
	Oil capacity - ml	600	600	600
	Start method/s	Recoil	Recoil	Recoil/Electric
	Battery size – volts	N/A	12	12
GENERATOR	Frequency – hz	50	50	50
	Voltage/s	230	115/230	115/230
	Continuous power – kw	2.0	2.8	2.8
	Max power – kw	2.2	3.2	3.2
	Run time on full load - hours	9.5	9.5	9.5
	Run time on ½ load - hours	12.5	13.5	13.5
	Sound level – dB (A)	96	96	96
	Outlet sockets – quantity/amp/type	2 x 13A 230v	1 x 16A 230v 1 x 16A 115v	1 x 16A 230v 1 x 16A 115v
	Digital meter	Hours/Volts/Frequency		

	MODEL	HY7000LEK-2	HY9000LEK-2	HY10000LEK-2
ENGINE	Engine – hp	16	18	18
	Displacement – cc	420	460	460
	Engine speed - rpm	3000		
	Fuel tank capacity – l	25	25	25
	Fuel type	Straight unleaded petrol		
	Oil type	SAE15W40		
	Oil capacity - ml	1100	1100	1100
	Start method/s	Recoil/Electric	Recoil/Electric	Recoil/Electric
	Battery size – volts	12	12	12
GENERATOR	Frequency – hz	50	50	50
	Voltage/s	115/230	115/230	115/230
	Continuous power – kw	5.0	6.5	7.5
	Max power – kw	5.5	7.0	8.5
	Run time on full load - hours	7.8	6.2	6.4
	Run time on ½ load - hours	13.5	11.2	11.5
	Sound level – dB (A)	96	96	96
	Outlet sockets – quantity/amp/type	2 x 16A 115v 1 x 32A 230v	2 x 16A 115v 1 x 32A 230v	2 x 16A 230v 1 x 32A 230v
	Digital meter	Hours/Volts/Frequency		

## 9. RECYCLING & PRODUCT DISPOSAL

9.1. We do not offer a takeback scheme for the recovery of Waste Electrical Electronic Equipment (WEEE) & Batteries instead the responsibility to dispose of WEEE and or Batteries is passed onto you by us. So when it becomes necessary to dispose of your machine you must take it to your local Civic Amenity Site. For further information please contact your Local Authority for disposal advice.

9.2. You **MUST** make sure that all unused oil and fuel is disposed of correctly either beforehand or at your local Civic Amenity Site. Under **NO** circumstance must any oil and fuel be put down any drains.

9.3. Waste Electrical Electronic Equipment (WEEE) recycling.

9.3.1. Certain products contain WEEE waste which should not be disposed of in your domestic waste.

9.3.2. You **MUST** recycle WEEE in accordance with your local authority or recycling centre.



9.4. Battery recycling, certain products contain batteries which should not be disposed of in your domestic waste.

9.4.1. You **MUST** recycle batteries in accordance with your local authority or recycling centre.



9.5. Unwanted packaging materials should be sorted and taken to a recycling centre so it can be disposed of in a manner which is compatible with the environment.

9.6. The following symbol means that you should 'Reduce – Reuse – Recycle'.



**9.7.** We are a Member of the VALPAK National Compliance scheme and our registration number is **RM08660**

9.8. For further information about disposal please contact your Local Authority.

9.9. You can also get more advice and guidance about recycling at the following website <http://www.recycle-more.co.uk>

9.10. Should you pass this product onto another user either sold or loaned you **MUST** pass on this user manual. This will make sure that all other users can use and maintain the machine safely.



## 10. DECLARATIONS of CONFORMITY

Genpower confirms that this product complies with the EC Directives listed below;

- 97/68/EC Non Road Mobile Machinery Directive
- 2000/14/EC Outdoor Noise Directive
- 2004/108/EC Electromagnetic Compatibility Directive
- 2006/42/EC Machinery Directive
- 2006/95/EC Low Voltage Directive

### **E C D E C L A R A T I O N of C O N F O R M I T Y**

The undersigned, as authorised by:

**GENPOWER Ltd**

Declares that the following equipment manufactured under licence by Hyundai Korea

Conforms to the Directive **2000/14/EC (as amended)** of the European Parliament and of the council on the approximation of the laws of the Member States relating to the noise emission in the environment by equipment for use outdoors.

Equipment category: **Power Equipment**

Product Name/Model: **HY2800L-2, HY3800L-2, HY3800LEK-2, HY7000LEK-2 HY9000LEK-2 & HY10000LEK -2**

Type/Serial No: **Open Frame Generator**

Net installed power: **2.0 kW HY2800L-2, 2.8 kW HY3800L-2, HY3800LEK-2  
5.0 kW HY7000LEK-2, 6.5 kW HY9000LEK-2, 7.5 kW HY10000LEK -2**

The technical documentation is kept by: **Kevin Stanley, c/o Genpower Ltd,  
Isaac Way, Pembroke Dock, Pembrokeshire, SA72 4RW**

The conformity assessment procedure followed was in accordance with annex V or VI of the Directive.

Notified Body: **AV Technology Ltd, Unit 12 Easter Court, Europa  
Boulevard,  
Warrington, Cheshire, WA5 7ZB**

Certificate N<sup>os</sup>/Test report N<sup>o</sup>: **OND-2016508-04-02 HY2800L-2  
OND-2016508-04-04 HY3800L-2 – HY3800LEK-2  
OND-2016508-04-07 HY7000LEK-2  
OND-2016508-04-08 HY9000LEK-2  
OND-2016508-04-10 HY10000LEK-2**

Measured Sound Power Level: **HY2800L-2 (92 dB (A)), HY3800L-2, HY3800LEK-2 (93 dB (A))  
HY7000LEK-2 (95 dB (A)), HY9000LEK-2 (95 dB (A))  
HY10000LEK -2 (96 dB (A))**

Guaranteed Sound Power Level: **HY2800L-2 (93 dB (A)), HY3800L-2, HY3800LEK-2 (94 dB (A))  
HY7000LEK-2 (97 dB (A)), HY9000LEK-2 (97 dB (A))  
HY10000LEK -2 (97 dB (A))**

A copy of this certificate has been submitted to the European Commission and to EU Member State United Kingdom.

Place of Declaration: **Pembroke Dock, SA72 4RW**

Date:

Name: **Roland Llewellyn**

Signature: 

Position in Company: **Managing Director**

Name & address of manufacturer or Authorised representative: **Genpower Ltd, Isaac Way,  
Pembroke Dock, Pembrokeshire, SA72 4RW**

## 11. CONTACT DETAILS

- |       |                  |   |
|-------|------------------|---|
| 11.1. | POSTAL ADDRESS   | Genpower Ltd, Isaac Way, London Road,<br>Pembroke Dock, Pembrokeshire, SA72<br>4RW. UK. |
| 11.2. | TELEPHONE        | +44 (0) 1646 687880   |
| 11.3. | FAX              | +44 (0) 1646 686198   |
| 11.4. | TECHNICAL E-MAIL | <a href="mailto:service@genpower.co.uk">service@genpower.co.uk</a>                      |
| 11.5. | WEBSITE          | <a href="http://www.hyundaipowerequipment.co.uk">www.hyundaipowerequipment.co.uk</a>    |

## 12. MANUAL UPDATES

- 12.1. Our manuals are constantly being reviewed and updated. However if should you find an error, omission or something you find unclear please contact your dealer for assistance.
- 12.2. Our latest manuals are also placed online.
- 12.3. We reserve the right to make any modifications without prior notice whenever necessary.

## 13. WARRANTY

- 13.1 To register your product for the Manufacturer's warranty, please visit:

<https://hyundaipowerequipment.co.uk/warranty>





# HYUNDAI

POWER PRODUCTS

## For Inquiries, Please Contact:

GENPOWER LTD  
Isaac Way, London Road  
Pembroke Dock, UNITED KINGDOM, SA72 4RW  
T: +44 (0) 1646 687 880 F: +44 (0) 1646 686 198  
E: [info@hyundaipowerequipment.co.uk](mailto:info@hyundaipowerequipment.co.uk)  
[www.hyundaipowerequipment.co.uk](http://www.hyundaipowerequipment.co.uk)