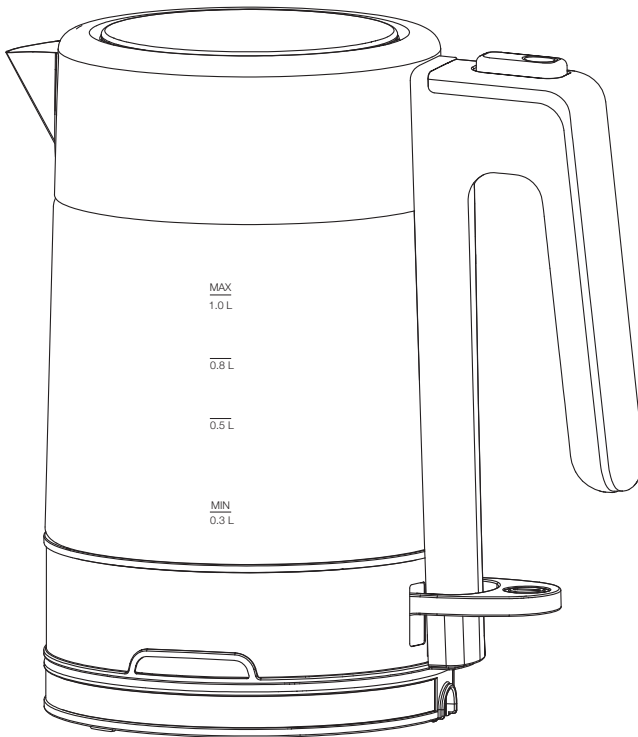


amazonbasics



Electric Glass and Steel Kettle - 1.0 L

Bouilloire Électrique en Verre et en Acier : 1,0 l

Tetera Eléctrica de Vidrio y Acero - 1.0 L

B082MVGP8T

English	3
Français	9
Español	15

IMPORTANT SAFEGUARDS



Read these instructions carefully and retain them for future use. If this product is passed to a third party, then these instructions must be included.

When using electrical appliances, basic safety precautions should always be followed to reduce the risk of fire, electric shock, and/or injury to persons including the following:

- Read all instructions.
- Do not touch hot surfaces. Use handles or knobs.
- To protect against electric shock, do not place cord, plugs, or appliance in water or other liquid.
- Close supervision is necessary when any appliance is used by or near children.
- Unplug from outlet when not in use and before cleaning. Allow to cool before putting on or taking off parts, and before cleaning the appliance.
- Do not operate any appliance with a damaged cord or plug or after the appliance malfunctions, or has been damaged in any manner. Return appliance to an authorized service facility for examination, repair or adjustment.
- The use of an accessory not evaluated for use with this appliance may cause injuries.
- Do not use outdoors.
- Do not let cord hang over edge of table or counter, or touch hot surfaces.
- Do not place on or near a hot gas or electric burner, or in a heated oven.
- Do not use appliance for other than intended use.
- The container is designed for use with this appliance. It must never be used on a range top.
- Do not set a hot container on a set or cold surface.
- Do not use a cracked container or a container having a loose or weakened handle.
- Do not clean container with cleansers, steel wool pads, or other abrasive material.
- This product is for household use only.



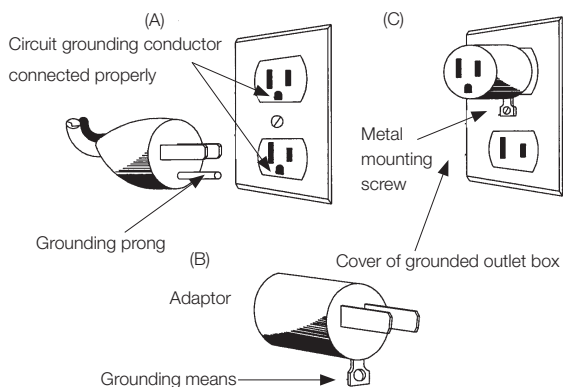
- Always attach plug to appliance first, then plug cord into the wall outlet. To disconnect, turn any control to “off” then remove plug from wall outlet.
- A short power-supply cord is to be provided to reduce risks resulting from becoming entangled in or tripping over a longer cord.
- Longer detachable power-supply cords or extension cords are available and may be used if care is exercised in their use.
- If a long detachable power-supply cord or extension cord is used,
 - The marked electrical rating of the detachable power-supply cord or extension cord should be at least as great as the electrical rating of the appliance,
 - If the appliance is of the grounded type, the extension cord should be a grounding-type 3-wire cord, and
 - The longer cord should be arranged so that it will not drape over the counter top or table top where it can be pulled on by children or tripped over.
- Do not immerse in water.

The water level must be between the **MIN** and **MAX** marks. If the appliance is overfilled, boiling water may spill and may scald the user.

SAVE THESE INSTRUCTIONS

GROUNDING INSTRUCTIONS

This appliance must be grounded while in use to protect the operator from electrical shock. The appliance is equipped with a 3-conductor cord and a 3-prong grounding-type plug to fit the proper grounding-type receptacle. The appliance has a plug that looks like sketch A in the figure below. An adaptor, sketch B, should be used for connecting sketch-A plugs to two-prong receptacles. The grounding tab which extends from the adaptor must be connected to a permanent ground such as a properly grounded outlet box as shown in sketch C using a metal screw.



Intended Use

- This product is intended for boiling fresh drinking water.
- This product is intended for household use only. It is not intended for commercial use.
- This product is intended to be used in dry indoor areas only.
- No liability will be accepted for damages resulting from improper use or non-compliance with these instructions.

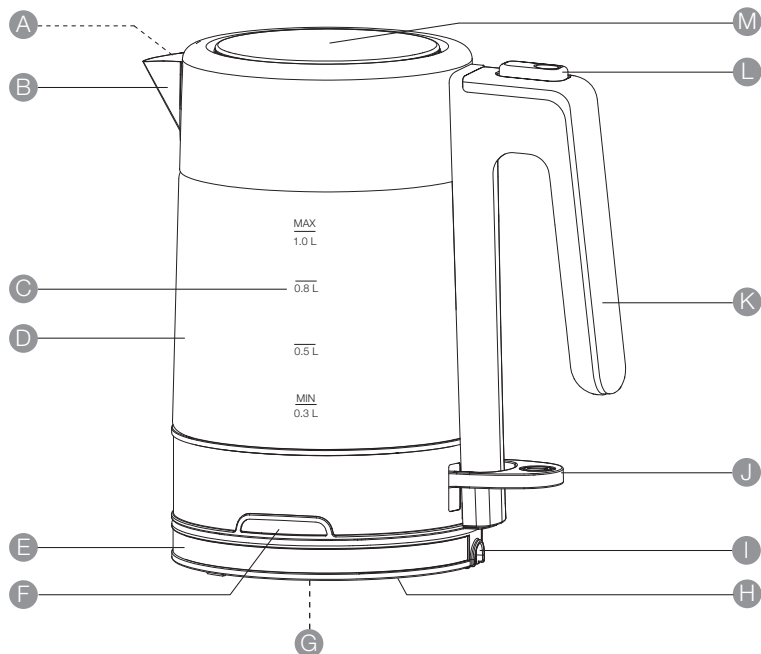
Before First Use

- Check for transport damages.
- Clean the product before first use.
- Before connecting the product to the power supply, check that the power supply voltage and current rating corresponds with the power supply details shown on the product rating label.

⚠ DANGER Risk of suffocation! Keep any packaging materials away from children – these materials are a potential source of danger, e.g. suffocation.



Product Description



- | | |
|----------------------|-------------------------------|
| A Filter | H Power cord with plug |
| B Spout | I Cord notch |
| C Water gauge | J On/Off button |
| D Container | K Handle |
| E Base | L Lid button |
| F Indicator | M Lid |
| G Cord wrap | |

Operation

Placing the base

1. Place the base (E) on a flat and stable surface.
2. Unwind the required length of the power cord with plug (H) from the cord wrap (G).



3. Pass the power cord with plug (H) through the cord notch (I).
4. Connect the power cord with plug (H) to a socket outlet.

Boiling water

⚠ CAUTION Risk of scalding! Scalding may occur if the lid is opened during the brewing cycles.

⚠ CAUTION Risk of scalding! To prevent water from spilling over, the lid (M) must be closed when pouring.

NOTICE Discard the first batch of boiled water to remove any manufacturing residues.

1. Press the lid opening button (L) to open the lid (M).
2. Fill the container (D) with fresh water. The water level must be between the MIN and MAX marks.
3. Close the lid (M).
4. Place the container (D) on the base (E).
5. Push down the on/off button (J). The indicator (F) lights up. The boiling process begins.
6. When the water is boiling, the product switches off automatically.

Cleaning and Maintenance

⚠ WARNING Risk of electric shock! To prevent electric shock, unplug the product before cleaning.

⚠ WARNING Risk of electric shock! During cleaning do not immerse the electrical parts of the product in water or other liquids. Never hold the product under running water.

⚠ CAUTION Risk of burns! The product is hot during and after operation. Allow the product to cool down before cleaning and maintenance.

Cleaning

- To clean the product, wipe with a soft, slightly moist cloth.
- Dry the product after cleaning.
- Never use corrosive detergents, wire brushes, abrasive scourers, metal or sharp utensils to clean the product.

Cleaning the filter

- The filter (A) retains lime deposits and coarse impurities. If the filter (A) is dirty, remove it and rinse it with clear water.



- To remove: Carefully push down the filter (A) on the inside towards the center.
- To refit: Push it into the opening until it clicks into place.

Descaling

- Fill the product to the MAX mark with a 5-15 % vinegar solution.
- Switch on the product. Let the solution reach boiling temperature.
- Wait for approximately 15 minutes until the limescale is dissolved.
- Pour the solution into the drain.
- Rinse the product thoroughly with clear water.

Specifications

Model number:	AB-K705MNUC
Rated voltage:	120 V~, 60 Hz
Power consumption:	1500 W
Net weight:	approx. 1.96 lbs (0.89 kg)
Container capacity:	33.8 fl oz (1 L)
Dimensions (W x H x D):	approx. 7.9 x 4.9 x 8.3" (20.1 x 12.5 x 21 cm)

Feedback and Help

Love it? Hate it? Let us know with a customer review.

AmazonBasics is committed to delivering customer-driven products that live up to your high standards. We encourage you to write a review sharing your experiences with the product.

 amazon.com/review/review-your-purchases#

 amazon.com/gp/help/customer/contact-us



amazonbasics

amazon.com/AmazonBasics

MADE IN CHINA
FABRIQUÉ EN CHINE
HECHO EN CHINA

V02-03/20

