

# CORDLESS POLE SAW

## USER MANUAL



**HL-PS01CY**

**NOTE: Battery and Charger NOT Included**

## Product Specification

Model	HL-PS01CY
Rated Voltage	20V DC
Max Cutting Diameter	7"
Guide Bar Length	8"
Chain Pitch	3/8"
Chain Gauge	0.043"
Chain Speed	4.5m/s
Extended Length	8.5 ft (2.6m)
Net Weight	7.5 lbs (3.08kg)
Oil Tank Capacity	100ml

### Note:

## Safety Notes

### General Power Tool Safety Warnings



#### WARNING

Read all safety warnings and all instructions. Failure to follow the warnings and instructions may result in electric shock, fire, or severe injury. save all warnings and instructions for future reference. The power tool in the warnings refers to your mains-operated (corded) power tool or battery-operated (cordless) power tool.

## 1. Work area safety

Keep the work area clean and well-lit. Cluttered or dark areas invite accidents.

- Do not operate power tools in explosive atmospheres, such as in flammable liquids, gases, or dust. Power tools create sparks that may ignite the dust or fumes.

- Keep children and bystanders away while operating a power tool.

Distractions can cause you to lose control.

## 2. Electrical safety

- Power tool plugs must match the outlet. Never modify the plug in any way.

Do not use any adapter plugs with earthed (grounded) power tools. Unmodified plugs and matching outlets

- Avoid body contact with earthed or grounded surfaces such as pipes, radiators, ranges, and refrigerators. There is an increased risk of electric shock if your body is earthed or grounded.

- Do not expose power tools to rain or wet conditions. Water entering a power tool will increase the risk of electric shock.

- Do not abuse the cord. Never use the cord for carrying, pulling, or unplugging the power tool. Keep the cord away from heat, oil, sharp edges, and moving parts. Damaged or entangled cords increase the risk of electric shock.

- When operating a power tool outdoors, use an extension cord suitable for outdoor use. Using a cord suitable for outdoor use reduces the risk of electric shock.

- If operating a power tool in a damp location is unavoidable, use a residual current device (RCD) protected supply. The use of an RCD reduces the risk of electric shock.

## 3. Personal safety

- Stay alert, watch what you are doing and use common sense when operating a power tool. Do not use a power tool while you are tired or under the influence of drugs, alcohol or medication. A moment of inattention while operating power tools may result in serious personal injury.

- Use personal protective equipment. Always wear eye protection. Protective equipment such as dust masks, non-skid safety shoes, hard hats, and hearing protection for appropriate conditions will reduce personal injuries.

- Prevent unintentional starting. Ensure the switch is off position before connecting it to the power source or battery pack or picking up or carrying the tool. Carrying power tools with your finger on the switch or energizing power tools with the switch on invites accidents.

- Remove any adjusting key or wrench before turning the power tool on. A wrench or a key left attached to a rotating part of the power tool may result in personal injury.

- Do not overreach. Keep proper footing and balance at all times. This enables better control of the power tool in unexpected situations.
- Dress properly. Do not wear loose clothing or jewelry. Keep your hair, clothing, and gloves away from moving parts. Loose clothes, jewelry, or long hair can be caught in moving parts.
- If devices are provided for connecting dust extraction and collection facilities, ensure these are connected and properly used. The use of dust collection can reduce dust-related hazards.

#### **4. Power tool use and care**

- Don't force the power tool. Use the correct power tool for your application. The correct power tool will do the job better and safer at the rate for which it was designed.
- Do not use the power tool if the switch does not turn on and off. Any power tool that cannot be controlled with the switch is dangerous and must be repaired.
- Disconnect the plug from the power source or the battery pack from the power tool before making any adjustments, changing accessories, or storing power tools. Such preventive safety measures reduce the risk of starting the power tool accidentally.
- Store idle power tools out of the reach of children and do not allow persons unfamiliar with the power tool or these instructions to operate the power tool. Power tools are dangerous in the hands of untrained users.
- Maintain power tools. Check for misalignment or binding of moving parts, breakage of parts and any other condition that may affect the power tool's operation. If damaged, have the power tool repaired before use. Poorly maintained power tools cause many accidents.
- Keep cutting tools sharp and clean. Properly maintained cutting tools with sharp edges are less likely to bind and are easier to control.
- Use the power tool, accessories, tool sets, etc., in accordance with these instructions, taking into account the working conditions and the work to be performed. Using the power tool for operations different from those intended could result in a hazardous situation.

#### **5. Battery tool use and care**

- Recharge only with the charger specified by the manufacturer. A charger that is suitable for one type of battery pack may create a risk of fire when used with another battery pack.

- Use power tools only with specifically designated battery packs. Use of any other battery packs may create a risk of injury and fire.
- When battery pack is not in use, keep it away from other metal objects, like paper clips, coins, keys, nails, screws or other small metal objects, that can make a connection from one terminal to another. Shorting the battery terminals together may cause burns or a fire.
- Under abusive conditions, liquid may be ejected from the battery; avoid contact. If contact accidentally occurs, flush with water. If liquid contacts eyes, additionally seek medical help. Liquid ejected from the battery may cause irritation or burns.
- Do not use a battery pack or tool that is damaged or modified. Damaged or modified batteries may exhibit unpredictable behaviour resulting in fire, explosion or risk of injury.
- Do not expose a battery pack or tool to fire or excessive temperature. Exposure to fire or temperature above 130°C may cause explosion.
- Follow all charging instructions and do not charge the battery pack or tool outside the temperature range specified in the instructions. Charging improperly or at temperatures outside the specified range may damage the battery and increase the risk of fire.

## **6. Service**

- Have your power tool serviced by a qualified repair person using only identical replacement parts. This will ensure that the safety of the power tool is maintained.
- Never service damaged battery packs. Service of battery packs should only be performed by the manufacturer or authorized service providers.

## **Chain Saw Safety Warnings**

### **1. General chain saw safety warnings**

- Keep all parts of the body away from the saw chain when the chain saw is operating. Before you start the chain saw, make sure the saw chain is not contacting anything. A moment of inattention while operating chain saws may cause entanglement of your clothing or body with the saw chain.
- Always hold the chain saw with your right hand on the rear handle and your left hand on the front handle. Holding the chain saw with a reversed hand configuration increases the risk of personal injury and should never be done.
- Hold the chain saw by insulated gripping surfaces only, because the saw chain may contact hidden wiring or its own cord. Saw chains contacting a "live" wire may make exposed metal parts of the chain saw "live" and could give the operator an electric shock.

- Wear eye protection. Further protective equipment for hearing, head, hands, legs and feet is recommended. Adequate protective equipment will reduce personal injury from flying debris or accidental contact with the saw chain.
- Do not operate a chain saw in a tree, on a ladder, from a rooftop, or any unstable support. Operation of a chain saw in this manner could result in serious personal injury.
- Always keep proper footing and operate the chain saw only when standing on fixed, secure and level surface. Slippery or unstable surfaces may cause a loss of balance or control of the chain saw.
- When cutting a limb that is under tension, be alert for spring back. When the tension in the wood fibres is released, the spring loaded limb may strike the operator and/or throw the chain saw out of control.
- Use extreme caution when cutting brush and saplings. The slender material may catch the saw chain and be whipped toward you or pull you off balance.
- Carry the chain saw by the front handle with the chain saw switched off and away from your body. When transporting or storing the chain saw, always use the guide bar cover. Proper handling of the chain saw will reduce the likelihood of accidental contact with the moving saw chain.
- Follow instructions for lubricating, chain tensioning and changing the bar and chain. Improperly tensioned or lubricated chain may either break or increase the chance for kickback.
- Cut wood only. Do not use chain saw for purposes not intended. For example: do not use chain saw for cutting metal, plastic, masonry or non-wood building materials. Use of the chain saw for operations different than intended could result in a hazardous situation.
- This chain saw is not intended for tree felling. Use of the chain saw for operations different than intended could result in serious injury to the operator or bystanders.
- Follow all instructions when clearing jammed material, storing or servicing the chain saw. Make sure the switch is off and the battery pack is removed. Unexpected actuation of the chain saw while clearing jammed material or servicing may result in serious personal injury.

## **2. Causes and operator prevention of kickback**

- Kickback may occur when the nose or tip of the guide bar touches an object, or when the wood closes in and pinches the saw chain in the cut.
- Tip contact in some cases may cause a sudden reverse reaction, kicking the guide bar up and back towards the operator.

- Pinching the saw chain along the top of the guide bar may push the guide bar rapidly back towards the operator.
- Either of these reactions may cause you to lose control of the saw which could result in serious personal injury. Do not rely exclusively upon the safety devices built into your saw. As a chain saw user, you should take several steps to keep your cutting jobs free from accident or injury.
- Kickback is the result of chain saw misuse and/or incorrect operating procedures or conditions and can be avoided by taking proper precautions as given below:
  - a. Maintain a firm grip, with thumbs and fingers encircling the chain saw handles, with both hands on the saw and position your body and arm to allow you to resist kickback forces. Kickback forces can be controlled by the operator, if proper precautions are taken. Do not let go of the chain saw.
  - b. Do not overreach and do not cut above shoulder height unless the extension pole is mounted. This helps prevent unintended tip contact and enables better control of the pruner saw in unexpected situations.
  - c. Only use replacement guide bars and saw chains specified by the manufacturer. Incorrect replacement guide bars and saw chains may cause chain breakage and/or kickback.
  - d. Follow the manufacturer's sharpening and maintenance instructions for the saw chain. Decreasing the depth gauge height can lead to increased kickback.

## Introduction

### 1. Intended Use

This device is only intended for the following use:

-Cutting large twigs and branches.

The device is NOT designed for:

-Extensive sawing work.

-Felling trees.

-Cutting materials other than wood.



### WARNING

For your own safety, read this manual and general safety instructions carefully before using the appliance. The power tool must be passed on together with these instructions.

## **2. Proper Use**

The device is intended for use by adults. Children under the age of 16 may not use the device, except under supervision. Local regulations may specify an age limit for the user.

Use of the device in the rain or a damp environment is prohibited. National regulations may limit the use of the machine.

Any other use that is not expressly permitted in this instruction manual may pose a serious hazard to the user and result in damage to the device. The operator or user of the machine is responsible for any accidents or personal injury and/or material damage to third parties or their property. The machine is intended to be used by do-it-yourselfers. It was not designed for heavy commercial use. The warranty is void in the case of commercial use. The manufacturer is not liable for damage caused by improper use or incorrect operation.

## **3. Inspect the Machine**

Check the machine before starting it. Keep guards in place and in working order. Make sure all nuts, bolts, etc., are securely tightened.

Check the general condition of the machine before use.

Never operate the machine when it is in need of repair or is in poor mechanical condition. Replace damaged, missing, or failed parts before using it. Check for fuel leaks. Keep the machine in safe working condition.

Do not use the machine if the machine's switch does not turn off the machine when running. Any machine that can't be controlled with the switch is dangerous and must be replaced.

Regularly check to see that keys and adjusting wrenches are removed from the machine area before starting it. A wrench or a key that is left attached to a rotating part of the machine may result in personal injury.

If the machine start to vibrate abnormally, stop the machine and check immediately for the cause. Vibration is generally a warning sign of trouble.

Avoid accidental starting. Be sure the switch is off before transporting the machine or performing any maintenance or service on the unit. Transporting or performing maintenance or service on a machine with its switch on invites accidents.

Do not tamper with or disable safety systems.

Only use manufacturer-recommended attachments.

Before using, always visually inspect to see that the tools are not worn out or damaged. Replace worn out or damaged elements and bolts in order to preserve balance. Keep the machine in good operating condition. Operating the machine in poor or questionable condition could result in serious injury. Be sure all safety devices are in working order and warning labels are in place. These items are installed for your safe.

#### **4. Work area**

The work must be done in daylight or with good artificial light in good visibility conditions. Do not work at night, at times of heavy fog, or at any other times when your field of vision might be limited and it would be difficult to gain a clear view of the area.

Keep people, children, and animals away from the working area. Operate on flat, level ground. Do not work in the rain, when there is a thunderstorm or lightning risk, at times of strong or gale force winds, or at any other times when the weather conditions might make it unsafe to use this product. If there is bad weather conditions, do not use the machine.

Any liquid spilled on the floor may result in slipping, causing serious injury. DO NOT operate power tools in explosive atmospheres, such as in the presence of flammable liquids, gases, or dust. Power tools may create sparks, which may ignite the dust or fumes.

#### **5. During use**

Do not operate the machine in confined areas where there may be a risk of crushing the operator between the machine and another object.

Never attempt to make any adjustments while the machine is running. The machine must be switched off:

- Before checking or working on the machine.
- When transporting the machine.
- Whenever the user leaves the machine unattended.
- If the machine starts to vibrate abnormally.



### **WARNING**













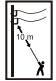
If something breaks or an accident happens while working, the machine must be turned off immediately. In this situation, the machine should be moved away to prevent further damage. If an accident happens with injuries or third parties are injured, carry out the first aid measures most suitable for the situation immediately and contact the medical authorities for any necessary healthcare. Carefully remove any debris that might cause damage or harm persons or animals should it not be seen.

Never operate the machine without the defective guards or shields, or without safety devices, or if the cord is damaged or worn.

Always make sure that the power cord is not in the way of the work.

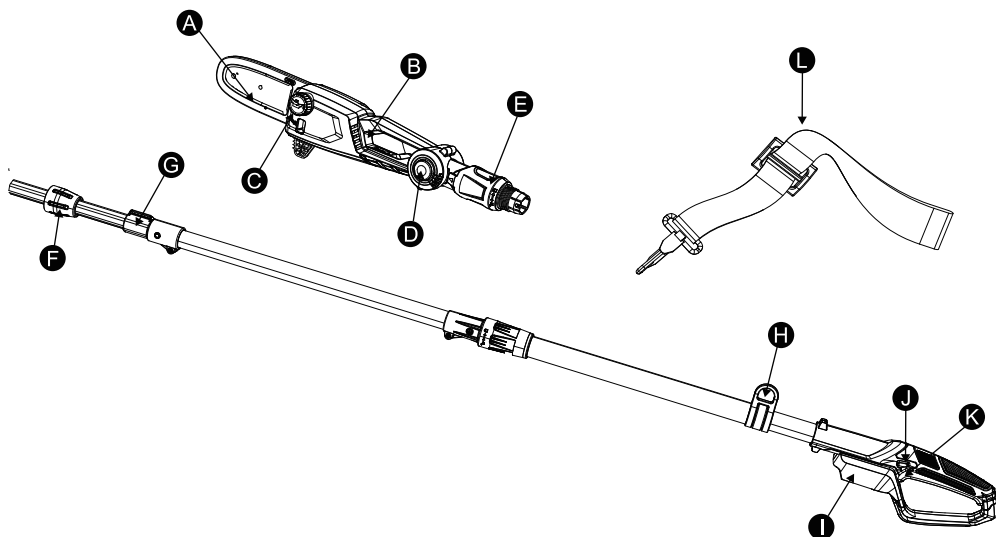
### 6. Personal Protective Equipment

Appropriate Personal Protective Equipment (PPE) , MUST be worn at all times when operating or repairing the machine. No protective equipment can ensure 100% protection.

Symbol	Explanation
	Observe the operating instructions
	Electrical devices must not be disposed of with domestic waste
	Caution!
	Use hearing protection
	Use eye protection
	Use head protection
	Use hand protection
	Always use chain saw two-handed
	Noise sign
	Use foot protection
	Use of the device in the rain or a damp environment is prohibited
	Beware of chain saw kickback and void contact with bar tip
	Danger to life from electrical shock! Stay at least 10m away from overhead power lines.

# Assembly and Adjustments

## Unboxing



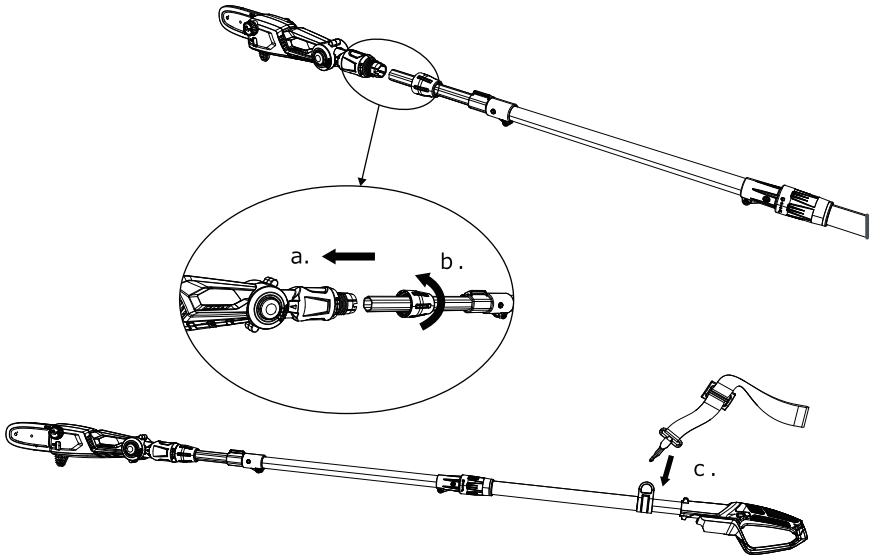
## Features

- A. Blade Cover
- B. Chain Saw Head
- C. Oil Cap And Gauge
- D. Head Angle Button
- E. Saw Head Interlock
- F. Pole Handle Interlock
- G. Telescopic Release Catch
- H. Strap Hoop
- I. Battery Carriage
- J. Power Safety Button
- K. On/Off Trigger
- L. Shoulder Strap

## Assembly

### 1. Main Body Assembly

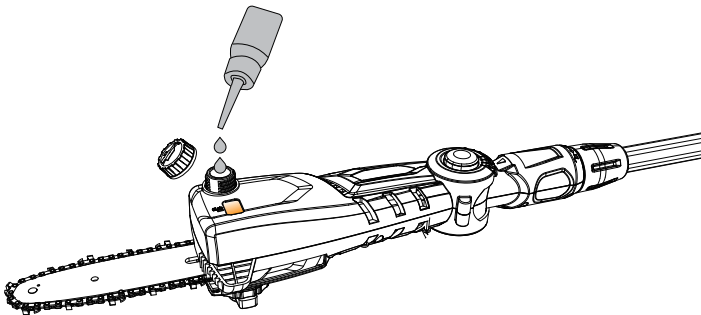
- a. Insert the **Pole Handle Interlock** (F) into the **Trimmer Head Interlock** (E). This is “keyed” So it will only fit one way, to avoid misconstruction.
- b. Rotate the Collar on the **Pole Handle Interlock** (F) clockwise to secure.
- c. Clip the **Shoulder Strap** (L) onto the **Strap Hoop** (H)

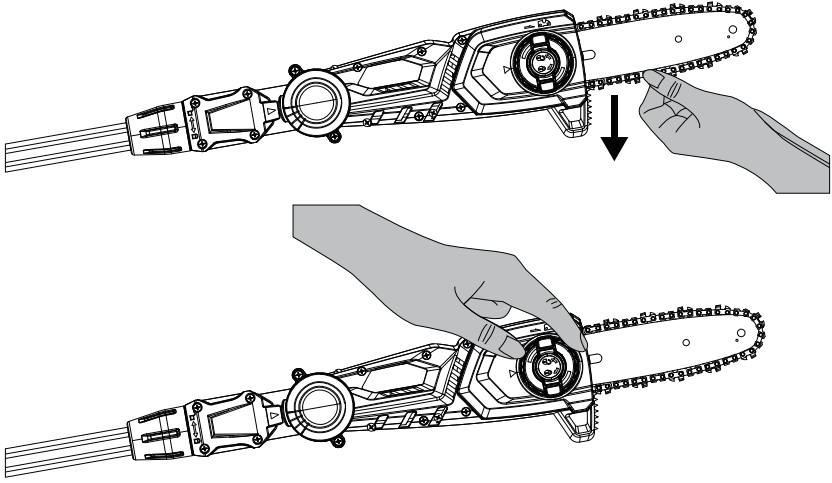


### 2. Pre-Operation Oil Top up

**Ensure the Battery is Disconnected when filling with oil.**

Remove the **Oil Cap** (C), and fill with the provided oil. To check a sufficient amount of oil, use the **Oil Gauge** to check.





**Tips:**

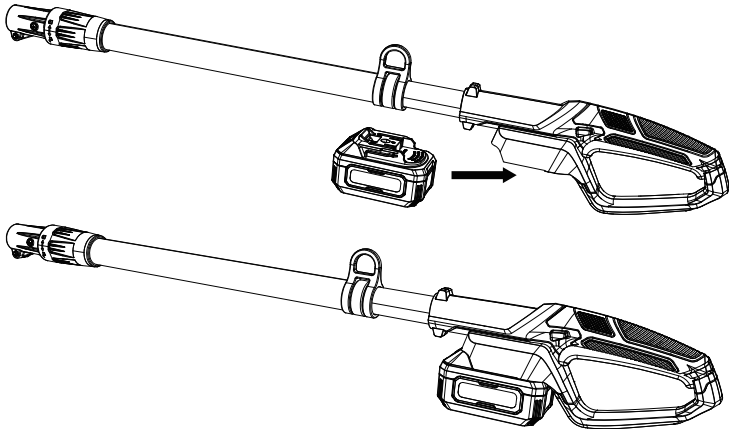
What kind of oil goes in a chainsaw?

The regular chain & bar oil is ok, recommend oregon 54-059 bar and chain.

**3. Insert Battery:**

**Ensure battery is fully charged before assembly.**

An audible \*click!\* will be heard when it's secured properly.



**Battery and charger not included**

## Operation

### 1. starting and stopping

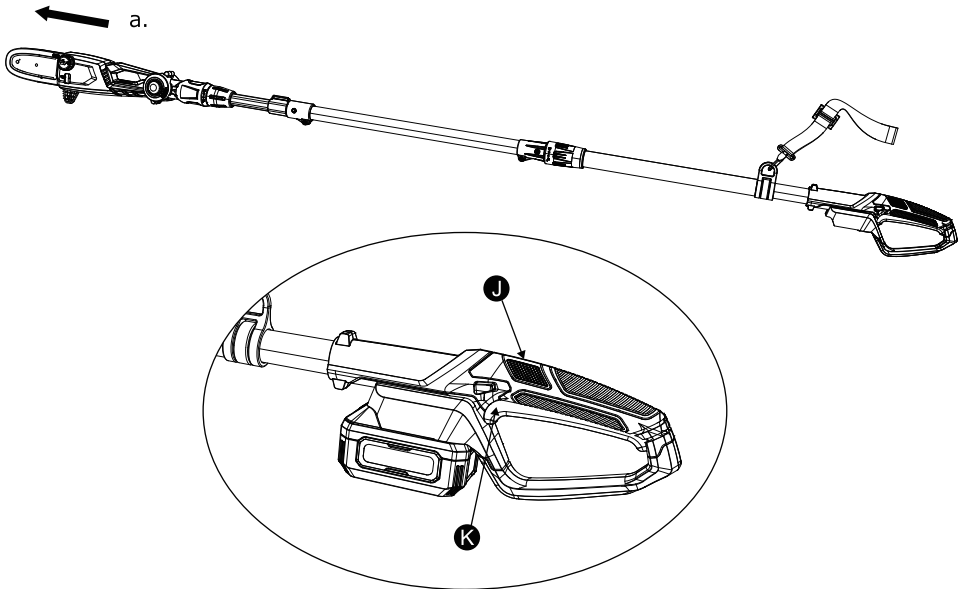
Warning! You **MUST** read and fully understand the whole user manual before operation

**\*CAUTION\*** - The chain of this machine is sharp, and correct PPE must be worn with ALL machine operation.

a. Remove the **Blade Guard (A)**.

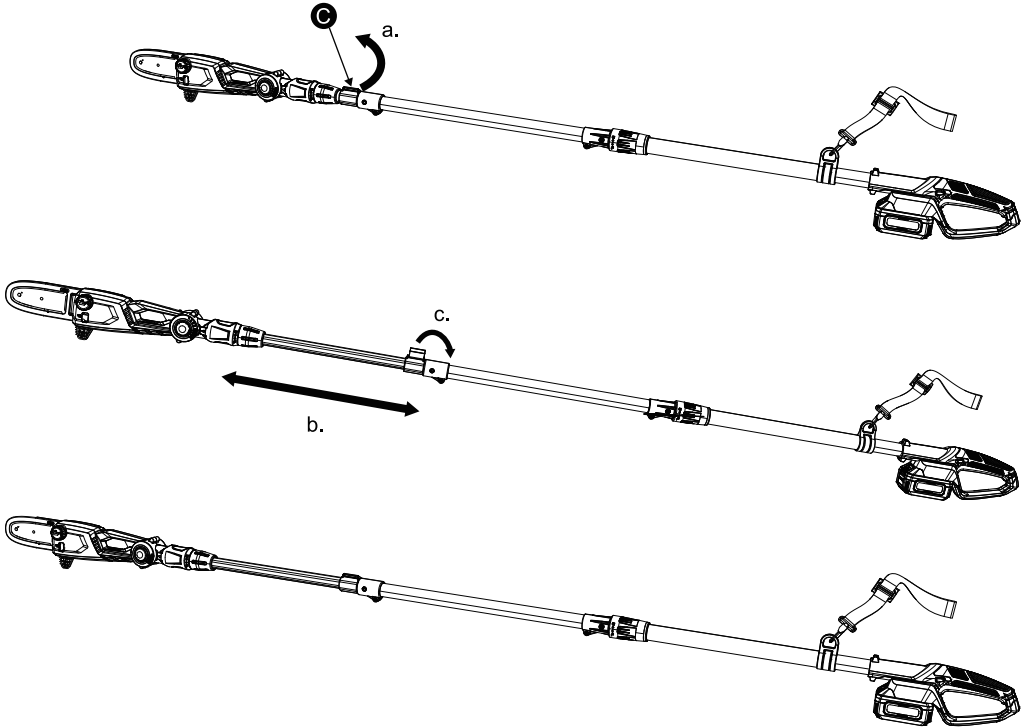
b. To start the machine, You must firstly press the **Power Safety Button (J)**. Then pull the **On/Off Trigger (K)**, these must be pressed at the same time for the machine to start. allow the machine to get to full speed before undertaking any trimming, this could take a second or two. **YOU MUST** allow the chain to get fully lubricated before cutting, run the machine until fully lubricated.

c. To stop machine, release both buttons. Allow the machines blades to stop before putting it down.



## 2. Pole Extension

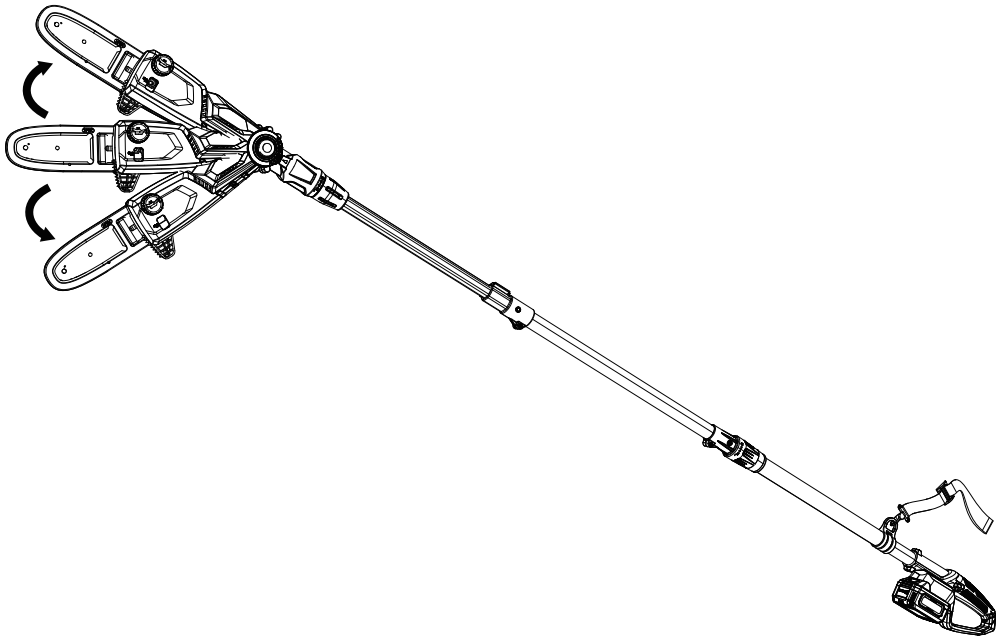
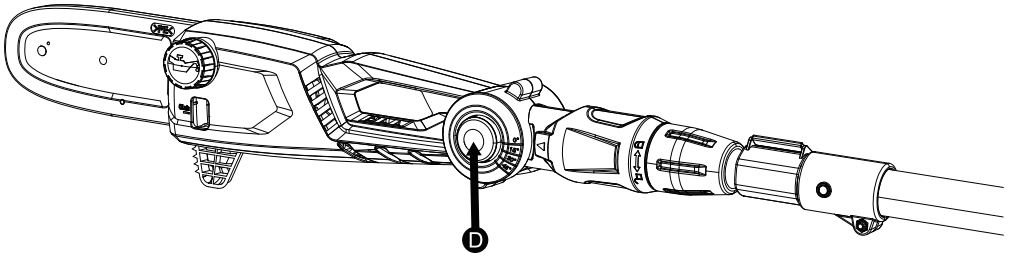
- Lift the latch on the **Telescopic Release catch (G)**.
- Extend the telescopic pole to your preferred length.
- Press the **Telescopic Release catch (G)** back into place, locking your selected length.



## 3. Pivoting Head Operation

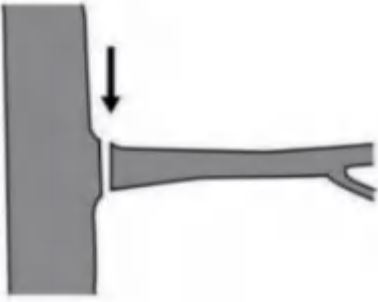
**CAUTION: Do not place hand between pivoting head and base. Failure to follow this caution could result in a pinch point injury.**

- Place the machine on a sturdy lat surface.
- Push the **Head Angle Button (D)** either side of the machine and adjust saw Head. By release the button, the Saw Head will snap into it's next location.

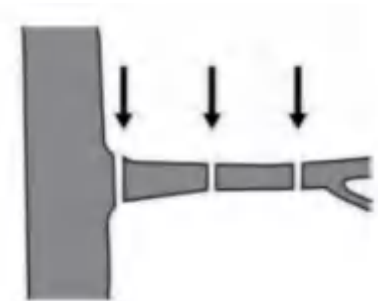


#### 4. How to cut selected branches

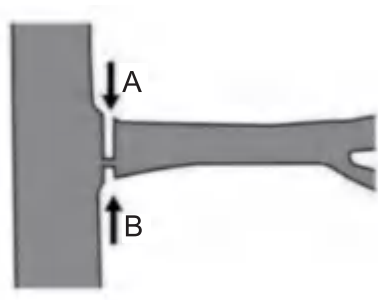
a. Sawing of small branches Set your saw cut of smaller branches (0-8 cm) from top to bottom, as illustrated. Be aware of easily breaking of the branch if you have underestimated the size and weight. Be completely aware of the falling cut material.



b. Sawing off in parts. For large/long branches, sawing off in parts is recommended. This is the only way to safely ensure the point of impact of the cut material. Clear away from the area in which you are standing any parts that have already been cut and are lying on the ground.



c. Sawing of larger branches. For controlled sawing of larger branches (08-20cm), first select a relief cut (see cutting a). This is made from below. Saw a notch in the lower third of the branch. The actual length cut (see cutting b) is again made from the top, as far as possible in line with the first cut so that the two cuts meet.



## 1. General Maintenance



### WARNING

Turn OFF the machine, allow all moving parts to come to a complete stop, and disconnect the power cord before maintaining the machine. You need to wear proper clothing and protective gloves whenever your hands are at risk.

- Keep all nuts, bolts and screws tight to be sure the machine is in a safe working condition.
- Replace worn or damaged parts for safety. Only use manufacturer-recommended parts and accessories.

## 2. Storage

keep the machine stored in a dry, level area away from damp, moisture and rain fall. Allow the machine to cool down before storing.

- Make sure the machine is clean and dry before storing.
- Ensure the machine is stored in a position, where any persons cannot step on, to attempt to reach items up high, due to risk of movement.
- DO NOT store the machine near an ignition source, such as a wood stove, gas or electric heater, or an appliance or heater with a pilot light.
- Store the machine out of reach of children or anyone who is not familiar with operation.
- DO NOT stack other items on top of the machine when in storage.
- Make sure the machine is stored away from direct sunlight. Store indoors or in a safe, frost-free area during severe weather and winter months.



### 3. Chain Maintenance

**The sharpness of the chain directly affects work efficiency and the lifespan of the product.**

- After use, make sure to clean any wood chips off the chain and wipe it down with a dry cloth to prevent rust.
- Before use, sharpen the chain's blades to keep them as sharp as possible.
- Replace the chain after multiple uses to maintain higher work efficiency.

**How to address a loose chain:**

- **Loosen the Cover Nuts:** Start by loosening the nuts on the cover plate.
- **Reinstall the Chain:** Place the chain back into position.
- **Reattach the Cover Plate:** Put the cover plate back on but don't tighten the nuts yet.
- **Adjust chain Tension:** Use a screwdriver to adjust the tensioning screws until the chain is properly tensioned.
- **Test and Align:** Turn on the machine and let it run for 5 seconds. This will help align the chain with the gears. After running, check and adjust the tension if needed.
- **Final Adjustments:** Loosen the cover nuts again and make any final adjustments to the chain tension. Once adjusted, tighten the cover nuts securely.
- **Note on Usage:** Chainsaws are not suitable for cutting branches with a diameter of less than 2 cm. Smaller branches can easily bounce back or become tangled, causing blockages or jams.

### 4. How to care for the product after use

- **Remove and Charge the Battery:** Take out the battery and charge it fully. Store the battery and the tool in a cool, dry place with a temperature range of 0-30°C (32-86°F) and humidity between 40-80%.
- **Empty the Oil Reservoir:** Open the oil reservoir cap and pour out any excess lubrication oil. Residual oil can leak and potentially damage the machine.
- **Clean the Guide Bar:** Remove the guide bar cover and chain. Clean the guide bar thoroughly to prevent sawdust from clogging the oil holes.
- **Clean the chain:** After use, clean the chain to remove any sawdust and wipe it down with a dry cloth to prevent rust.

# Recycling & Disposal

## 1. Disposal of the appliance



This product has been marked with a symbol relating to removing electric and electronic waste. This means that this product shall not be discarded with household waste but that it shall be returned to a collection system. It will then be recycled or dismantled in order to reduce the impact on the environment. Electric and electronic equipment can be hazardous for the environment and for human health since they contain hazardous substances.

## 2. Disposal of the packaging



The packaging consists of cardboard and correspondingly marked plastics that can be recycled. Make these materials available for recycling.