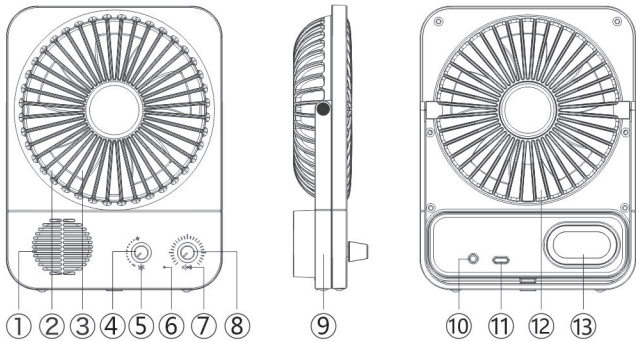
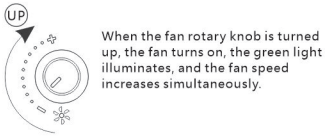


ZY11 User Manual

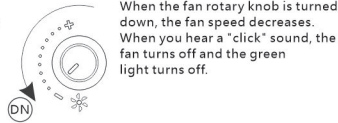


- ① speaker ② air vent ③ Fan blade ④ fan button ⑤ fan indicator
 ⑥ MIC hole ⑦ speaker indicator ⑧ speaker button ⑨ stand
 ⑩ 3.5mm audio jack ⑪ Type-C charging port ⑫ air intake ⑬ diaphragm

button operation



When the fan rotary knob is turned up, the fan turns on, the green light illuminates, and the fan speed increases simultaneously.



When the fan rotary knob is turned down, the fan speed decreases. When you hear a "click" sound, the fan turns off and the green light turns off.



Speaker rotary knob:

- Short press for 1 second to power on.
- Long press for 3 seconds to power off.
- Single click to answer/end a call or play/pause.
- Double click to switch between audio and Bluetooth modes.



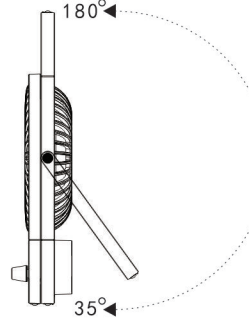
Speaker knob: stepless rotation. Turn up to increase volume, turn down to decrease volume. A "beep-beep" tone will sound when reaching maximum volume.

Indicator Light Status

Item	Status	Function
fan indicator	Green light on	an working
	Red light on	Charging (light turns off when fully charged)
speaker indicator	Green light blinking	Waiting for connection (light off when connected)

Bluetooth Connection Method

- For first-time use, Bluetooth pairing is required. After pressing and holding the power button to turn on the device, enable Bluetooth on your phone and search for the device named ZY11. Tap it to pair, and a sound prompt will indicate successful pairing.



Adjustable Angle

Open the rear stand to 35° and place it flat on a table for use. The angle can be adjusted up to 180°, allowing for handheld use or hanging in other locations.

- ▲ Note: When the battery voltage drops below 3.4V, a beep alarm will sound. Please charge the device promptly.

Specifications

Product Name	BT Speaker Fan
Product Model	ZY11
Dimensions [Approx.]	127 × 141 × 48[mm]
Weight [Approx.]	323g
Main Material	ABS + Electronic Components
Input Power	DC5V/0.8A(USB Type-C)
Battery Capacity	2000mAh [Li-ion Battery]
Power	5W
Charging Time [Approx.]	3.5 hours
Usage Time [Approx.]	2-8 hours (depending on different usage modes)
Cycle Life [Approx.]	300次
Compliance Standard	GB 4943.1-2022
Wireless Specification	Bluetooth: Ver.5.3
	Frequency Range :2.402GHz-2.480GHz
	Supported Profiles :A2DP-AVCTS-HFP
	Transmit Output :Class2
	Communication Distance [Approx.] : 10m
Accessories	Type-C charging cable, 3.5mm audio cable, User manual
Origin	China

FCC Warning

This device complies with Part 15 of the FCC Rules. Operation is subject to the following two conditions:
 (1) This device may not cause harmful interference, and (2) this device must accept any interference received, including interference that may cause undesired operation.

NOTE 1: This equipment has been tested and found to comply with the limits for a Class B digital device, pursuant to part 15 of the FCC Rules. These limits are designed to provide reasonable protection against harmful interference in a residential installation. This equipment generates, uses and can radiate radio frequency energy and, if not installed and used in accordance with the instructions, may cause harmful interference to radio communications. However, there is no guarantee that interference will not occur in a particular installation. If this equipment does cause harmful interference to radio or television reception, which can be determined by turning the equipment off and on, the user is encouraged to try to correct the interference by one or more of the following measures:

- Reorient or relocate the receiving antenna.
- Increase the separation between the equipment and receiver.
- Connect the equipment into an outlet on a circuit different from that to which the receiver is connected.
- Consult the dealer or an experienced radio/TV technician for help.

NOTE 2: Any changes or modifications to this unit not expressly approved by the party responsible for compliance could void the user's authority to operate the equipment.

The device has been evaluated to meet general RF exposure requirement. The device can be used in portable exposure condition without restriction.