

# **VEVOR<sup>®</sup>**

## **TOUGH TOOLS, HALF PRICE**

Technical Support and E-Warranty Certificate [www.vevor.com/support](http://www.vevor.com/support)

### **JEWELRY CABINET**

**MODEL:PY-2310SS/PY-2311SS/PY-2312SS/PY-2313SS**

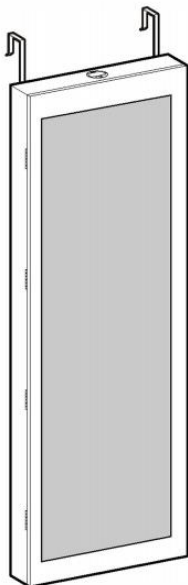
We continue to be committed to provide you tools with competitive price. "Save Half", "Half Price" or any other similar expressions used by us only represents an estimate of savings you might benefit from buying certain tools with us compared to the major top brands and does not necessarily mean to cover all categories of tools offered by us. You are kindly reminded to verify carefully when you are placing an order with us if you are actually saving half in comparison with the top major brands.

# VEVOR<sup>®</sup>

TOUGH TOOLS, HALF PRICE

## JEWELRY CABINET

MODEL: PY-2310SS/PY-2311SS/PY-2312SS/PY-2313SS



### NEED HELP? CONTACT US!

Have product questions? Need technical support? Please feel free to contact us:

**Technical Support and E-Warranty Certificate**  
[www.vevor.com/support](http://www.vevor.com/support)

This is the original instruction, please read all manual instructions carefully before operating. VEVOR reserves a clear interpretation of our user manual. The appearance of the product shall be subject to the product you received. Please forgive us that we won't inform you again if there are any technology or software updates on our product.

## SAFETY INSTRUCTIONS

### **WARNING:**

1. This manual lists the contents included in the box. Please take time to identify the hardware as well as the individual components of the product.
2. As you unpack and prepare for assembly, place the contents on a carpeted or padded area to protect them from damage.
3. Small parts present in unassembled state. It's a choking hazard! During the mounting process, keep small objects out of the reach of children. It may be fatal if swallowed or inhaled.
4. To avoid danger of suffocation, keep the plastic bag away from babies and children.
5. Please follow the assembly instructions closely. Improper assembly can result in personal or property damage.
6. Assembled by an adult. The product is not intended for children. Children must be under adult supervision to use the product. Otherwise the seller is not liable for the damage or the injury.
7. Never allow children to climb or play around the product, in order to prevent the product falling and mirror body being broken, and protect children from personal injury.
8. Do not install it in a dark, damp place.
9. The product must be mounted on the wall with supplied or self-purchased accessories. Prohibit child climbing or hanging on the furniture.
10. Clean and disinfect your product frequently to keep it clean and hygienic.
11. There may have the smell when unwrap the packaging, please place the cabinet in a ventilated area and open the door to remove the smell.

### **FCC Information for LED lamp**

CAUTION: Changes or modifications not expressly approved by the party responsible for compliance could void the user's authority to operate the equipment!

This device complies with Part 15 of the FCC Rules. Operation is subject to the following two conditions:

- 1) This product may cause harmful interference.
- 2) This product must accept any interference received, including interference that may cause undesired operation.

**WARNING:** Changes or modifications to this product not expressly approved by the party responsible for compliance could void the user's authority to operate the product.

**Note:** This product has been tested and found to comply with the limits for a Class B digital device pursuant to Part 15 of the FCC Rules, These limits are designed to provide reasonable protection against harmful interference in a residential installation.

This product generates, uses and can radiate radio frequency energy, and if not installed and used in accordance with the instructions, may cause harmful interference to radio communications. However, there is no guarantee that interference will not occur in a particular installation. If this product does cause harmful interference to radio or television reception, which can be determined by turning the product off and on, the user is encouraged to try to correct the interference by one or more of the following measures.

- Reorient or relocate the receiving antenna.
- Increase the distance between the product and receiver.
- Connect the product to an outlet on a circuit different from that to which the receiver is connected.
- Consult the dealer or an experienced radio/TV technician for assistance.

### **CORRECT DISPOSAL for LED lamp**



This product is subject to the provision of European Directive 2012/19/EU. The symbol showing a wheeled bin crossed through indicates that the product requires separate refuse collection in the European Union. This applies to the product and all accessories marked with this symbol. Products marked as such may not be discarded with normal domestic waste, but must be taken to a collection point for recycling electrical and electronic devices.

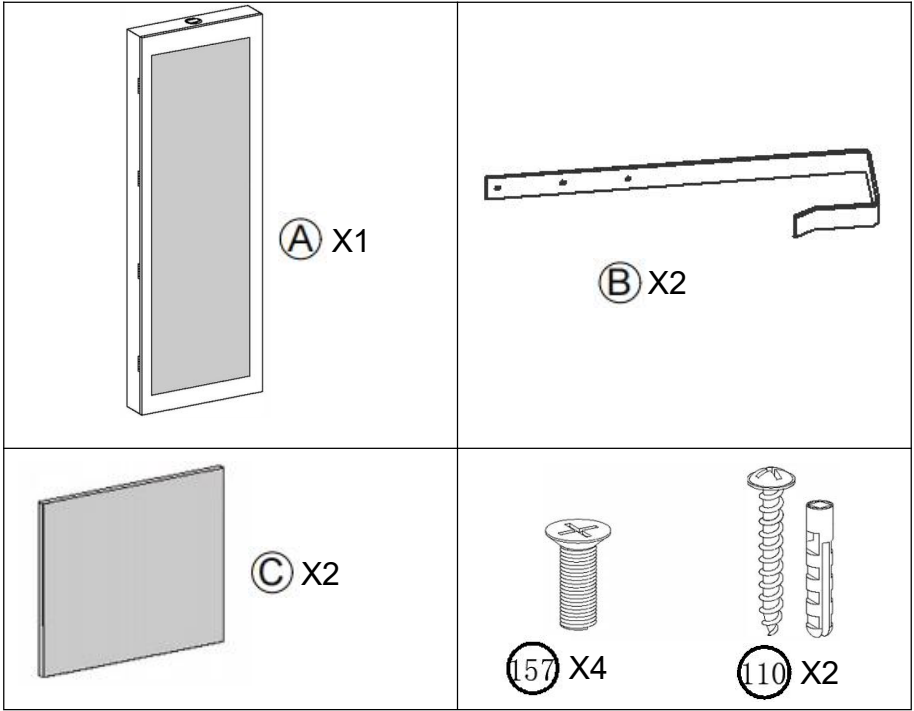
## MODEL AND PARAMETERS

Model	PY-2310SS	PY-2311SS	PY-2312SS	PY-2313SS
Product Size	H*W*D=42.52*14.37*3.78in		H*W*D=47.05*14.37*3.54in	
Color	White	Brown	White	Brown
LED light	DC 5V/4.5W			
Mounting Type	Wall-mounting			
Material	Medium density fiberboard+Glass+Velvet			

## PARTS LIST AND INSTALLATION

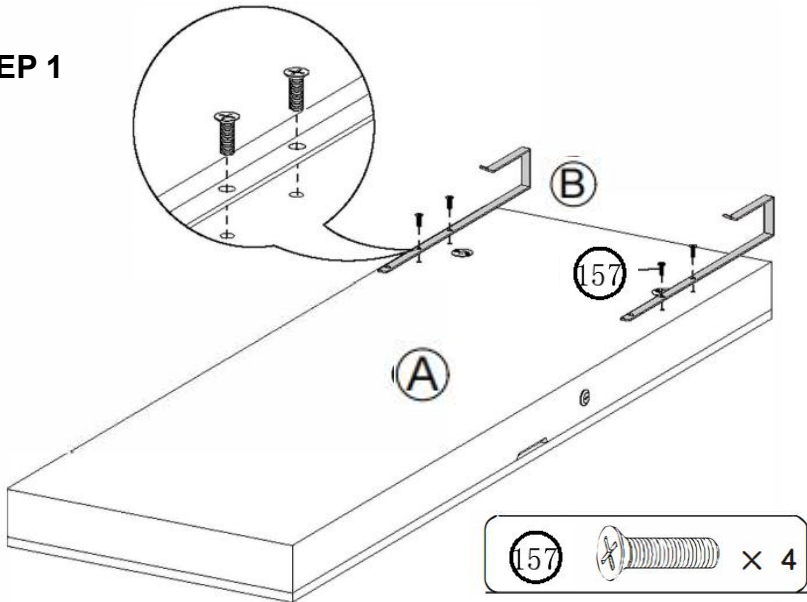
### NOTE:

1. Please check you have all the parts as shown in the part list.
2. Follow the assembly steps shown in the diagram to position and adjust the parts, then gradually tighten all screws (note: do not tighten excessively).
3. The wall-mounted cabinet comes with screws and bolts, which is suitable for being mounted on the solid and flat wall surface. Considering the diversity of the wall, you need to purchase the appropriate fittings from professional dealer. The tools are not supplied.
4. It is recommended to mount the cabinet by two adults. Pay attention to mount the cabinet horizontally and ensure the firmness to avoid overturning or falling.

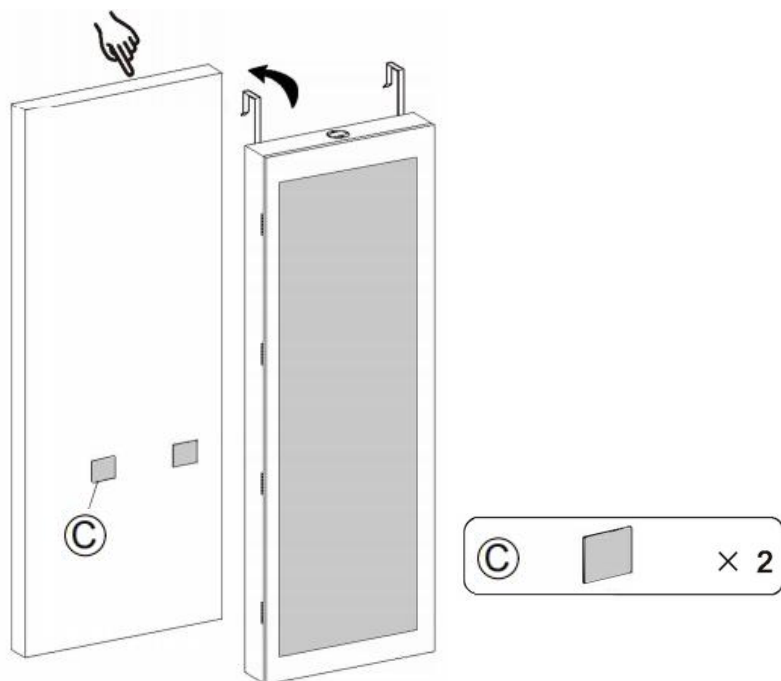


### Installation method 1

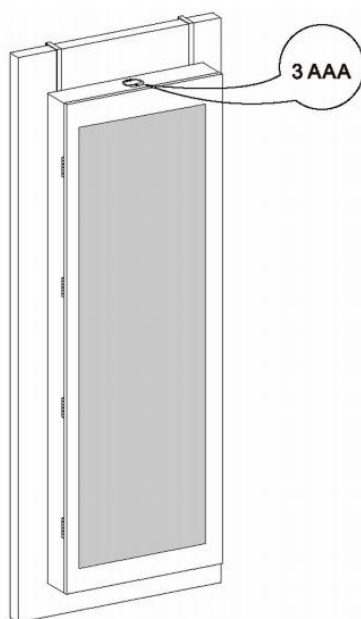
**STEP 1**



## STEP 2



## STEP 3



## Installation method 2

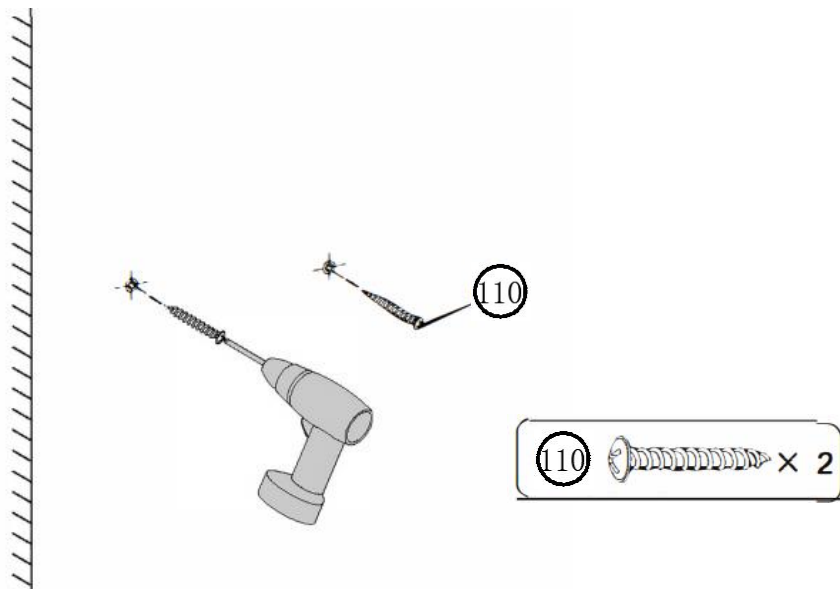
### STEP 1



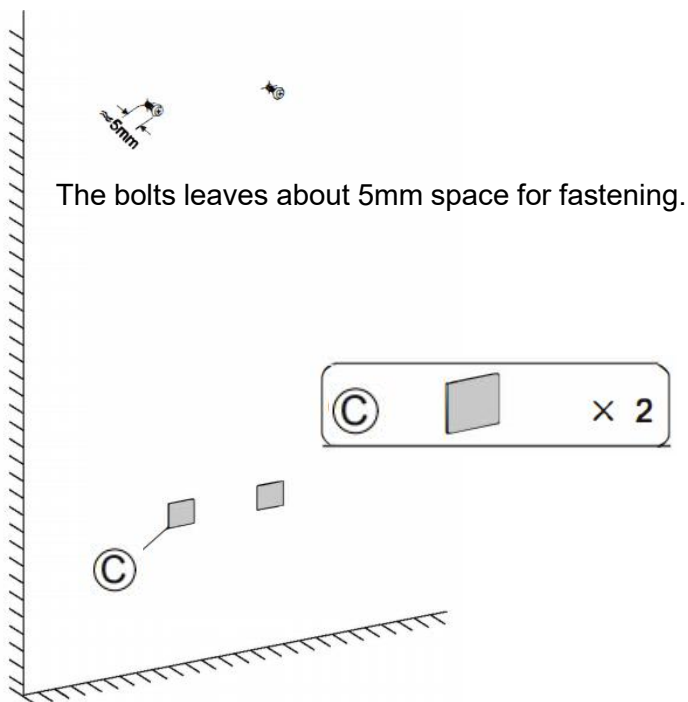
### STEP 2



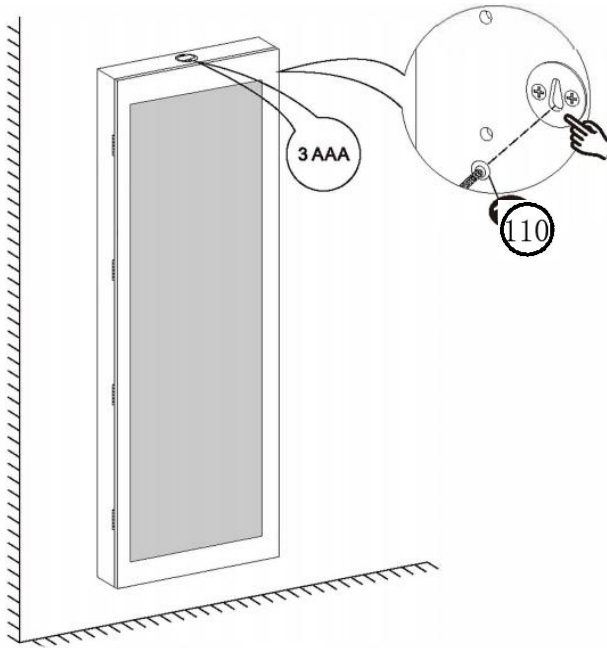
### STEP 3



### STEP 4



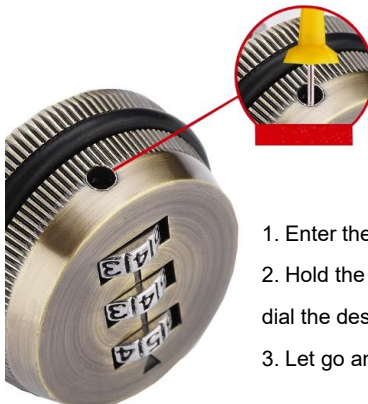
## STEP 5



## INSTRUCTIONS FOR LOCK

The lock is opened at the original number 0-0-0, aligned with the indication line.

### Password change method:



Sharp object against this hole.

1. Enter the old password and align it with the scale.
2. Hold the pointed object against the hole, and then dial the desired password.
3. Let go and the password is set.

## MAINTENANCE

1. Open and close the door lightly, so as not to damage the hinges (opening angle of the door is about 100 degrees.)
2. Please put the article on the flat ground and away from sharp and hard objects. Prohibit rudely dragging the cabinet, please lift it up to finish the move.
3. For daily care, please clean with a soft and dry cloth. If necessary, you can use the neutral detergent. Not be allowed to wipe the surface with a wet cloth or hard objects.
4. Keep the article away from the acid chemicals, so as not to cause the chemical reaction or the discoloration, etc.
5. Keep this product in room with normal temperature. Avoid direct sunlight or next to heat sources, which can cause the deformation, distortion even cracking.

**VEVOR<sup>®</sup>**  
**TOUGH TOOLS, HALF PRICE**

**Technical Support and E-Warranty Certificate**  
**[www.vevor.com/support](http://www.vevor.com/support)**

# **VEVOR<sup>®</sup>**

## **TOUGH TOOLS, HALF PRICE**

Soporte técnico y certificado de garantía electrónica [www.vevor.com/support](http://www.vevor.com/support)

### **ARMARIO DE JOYERÍA**

**MODELO:PY-2310SS /PY-2311SS/PY-2312SS/PY-2313SS**

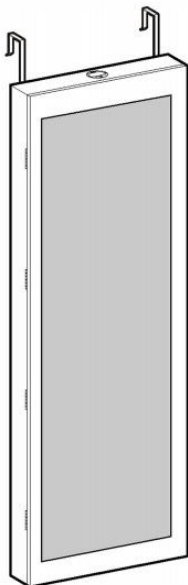
We continue to be committed to provide you tools with competitive price. "Save Half", "Half Price" or any other similar expressions used by us only represents an estimate of savings you might benefit from buying certain tools with us compared to the major top brands and does not necessarily mean to cover all categories of tools offered by us. You are kindly reminded to verify carefully when you are placing an order with us if you are actually saving half in comparison with the top major brands.

# VEVOR®

TOUGH TOOLS, HALF PRICE

## JEWELRY CABINET

MODELO: PY-2310SS/PY-2311SS/PY-2312SS/PY-2313SS



### NEED HELP? CONTACT US!

Have product questions? Need technical support? Please feel free to contact us:

**Technical Support and E-Warranty Certificate**  
**[www.vevor.com/support](http://www.vevor.com/support)**

This is the original instruction, please read all manual instructions carefully before operating. VEVOR reserves a clear interpretation of our user manual. The appearance of the product shall be subject to the product you received. Please forgive us that we won't inform you again if there are any technology or software updates on our product.

## SAFETY INSTRUCTIONS

### **ADVERTENCIA:**

12. Este manual enumera el contenido incluido en la caja. Tómese el tiempo para identificar el hardware y los componentes individuales del producto.
13. Mientras desempacas y te preparas para el ensamblaje, coloca el contenido sobre un área alfombrada o acolchada para protegerlo de daños.
14. Piezas pequeñas presentes en estado desmontado. ¡Es un peligro de asfixia! Durante el proceso de montaje, mantenga los objetos pequeños fuera del alcance de los niños. Puede ser mortal si se ingiere o se inhala.
15. Para evitar peligro de asfixia, mantenga la bolsa de plástico fuera del alcance de bebés y niños.
16. Siga atentamente las instrucciones de montaje. Un montaje inadecuado puede provocar daños personales o a la propiedad.
17. Montado por un adulto. El producto no está destinado a niños. Los niños deben estar bajo la supervisión de un adulto para utilizar el producto.  
De lo contrario  
El vendedor no es responsable del daño o lesión.
18. Nunca permita que los niños trepen o jueguen alrededor del producto, para evitar que el producto se caiga y se rompa el cuerpo del espejo, y proteger a los niños de lesiones personales.
19. No lo instale en un lugar oscuro y húmedo.
20. El producto debe montarse en la pared con los accesorios suministrados o adquiridos por el propio cliente. Prohibir que los niños trepen o se cuelguen de los muebles.
21. Limpie y desinfecte su producto con frecuencia para mantenerlo limpio e higiénico.
22. Puede haber olor al desenvolver el embalaje, coloque el gabinete en un área ventilada y abra la puerta para eliminar el olor.

### **Información de la FCC para lámparas LED**

**PRECAUCIÓN:** ¡Los cambios o modificaciones no aprobados expresamente por la parte responsable del cumplimiento podrían anular la autoridad del usuario para operar el equipo!

Este dispositivo cumple con la Parte 15 de las normas de la FCC. La operación está sujeta a las dos condiciones siguientes:

- 1) Este producto puede causar interferencias perjudiciales.
- 2) Este producto debe aceptar cualquier interferencia recibida, incluidas las interferencias que puedan causar un funcionamiento no deseado.

**ADVERTENCIA:** Los cambios o modificaciones a este producto que no estén aprobados expresamente por la parte responsable del cumplimiento podrían anular la autoridad del usuario para operar el producto.

**Nota:** Este producto ha sido probado y cumple con los límites para un dispositivo digital Clase B de conformidad con la Parte 15 de las reglas de la FCC. Estos límites están diseñados para brindar una protección razonable contra interferencias dañinas en una instalación residencial. Este producto genera, usa y puede irradiar energía de radiofrecuencia y, si no se instala y usa de acuerdo con las instrucciones, puede causar interferencias dañinas en las comunicaciones por radio. Sin embargo, no hay garantía de que no se produzcan interferencias en una instalación en particular. Si este producto causa interferencias dañinas en la recepción de radio o televisión, lo cual se puede determinar apagando y encendiendo el producto, se recomienda al usuario que intente corregir la interferencia mediante una o más de las siguientes medidas.

- Reorientar o reubicar la antena receptora.
- Aumentar la distancia entre el producto y el receptor.
- Conecte el producto a una toma de corriente de un circuito diferente al que está conectado el receptor.
- Consulte al distribuidor o a un técnico experimentado en radio/TV para obtener ayuda.

## **ELIMINACIÓN CORRECTA lámpara LED**



Este producto está sujeto a las disposiciones de la Directiva europea 2012/19/UE. El símbolo que muestra un contenedor con ruedas tachado indica que el producto requiere recogida selectiva

de basura en la Unión Europea. Esto se aplica al producto y a todos los accesorios marcados con este símbolo. Los productos marcados como tales no podrán desecharse junto con la basura doméstica normal, sino que deberán llevarse a un punto de recogida para el reciclaje de aparatos eléctricos y electrónicos.

## MODEL AND PARAMETERS

Modelo	PY-2310SS	PY- 231	PY- 231	PY- 231
Tamaño del producto	Alto*Ancho*Profundidad=		Alto*Ancho*Profundidad=	
Color	Blanco	Marrón	Blanco	Marrón
Luz LED	CC 5 V/4,5 W.			
Tipo de montaje	Montaje en pared			
Material	Tablero de fibra de densidad			

## PARTS LIST AND INSTALLATION

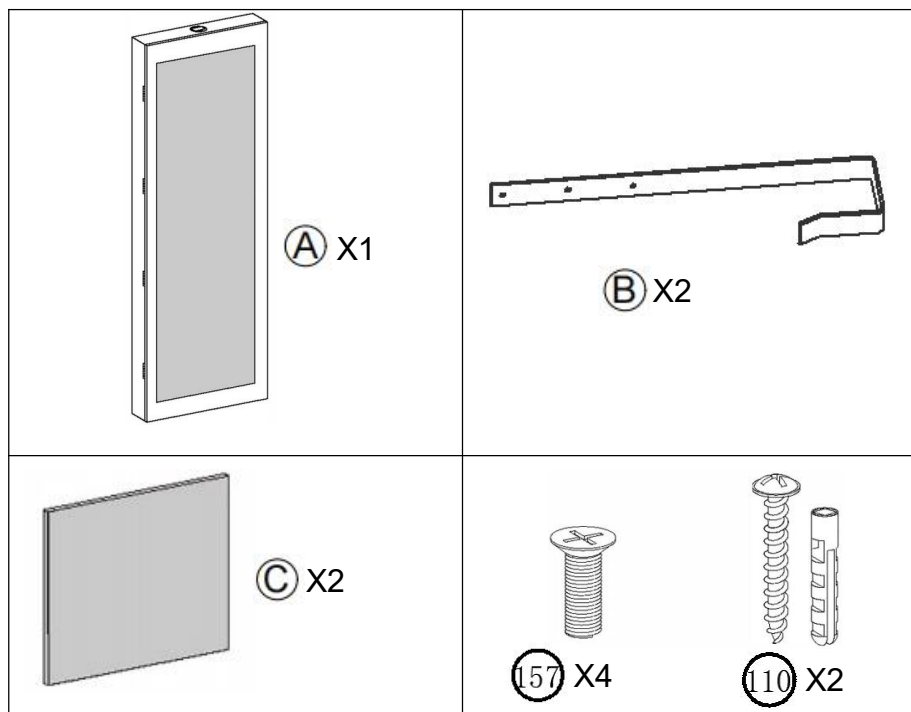
### NOTA:

- Verifique que tenga todas las piezas como se muestra en la lista de piezas.
- Siga los pasos de montaje que se muestran en el diagrama para colocar y ajustar las piezas, luego apriete gradualmente todos los tornillos (nota: no apriete excesivamente).
- El gabinete de pared viene con tornillos y pernos, lo que es adecuado para montarlo en una superficie de pared sólida y plana. Teniendo en cuenta la diversidad de la pared, es necesario adquirir los accesorios adecuados en

distribuidor profesional. Las herramientas no se suministran.

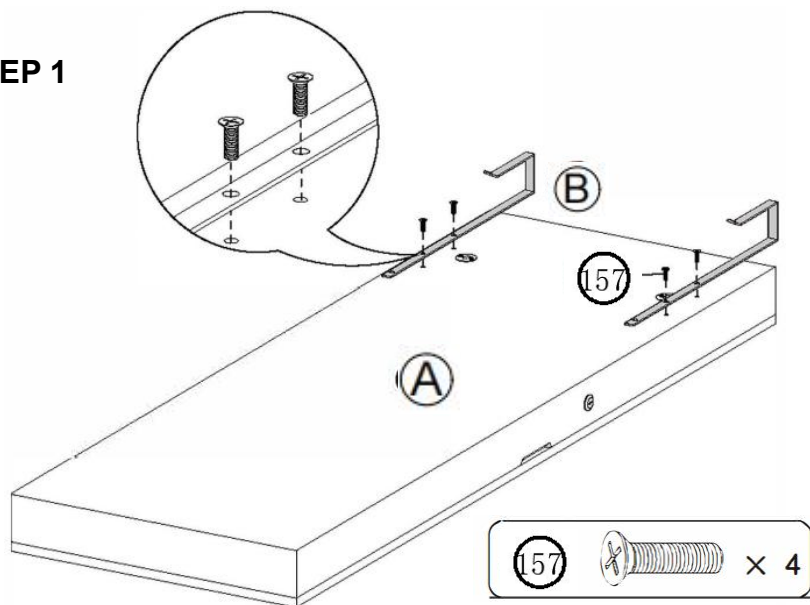
8. Se recomienda que el montaje del armario lo realicen dos adultos.

Preste atención a montar el gabinete horizontalmente y asegúrese de que quede firme para evitar que se vuelque o caiga.

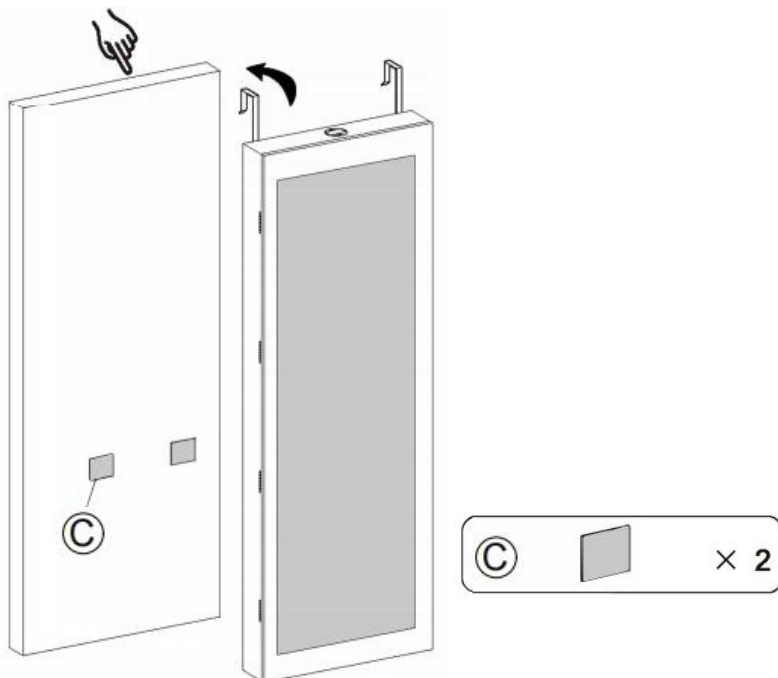


### Método de instalación 1

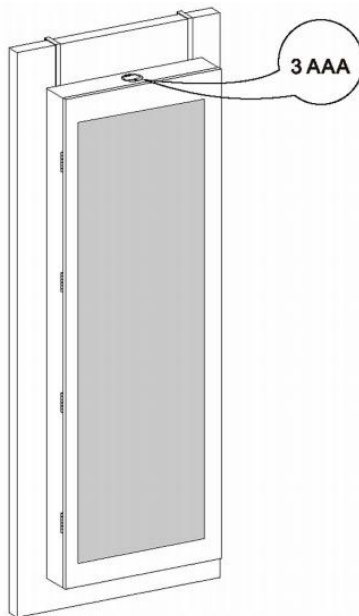
### STEP 1



### PASO 2



### PASO 3

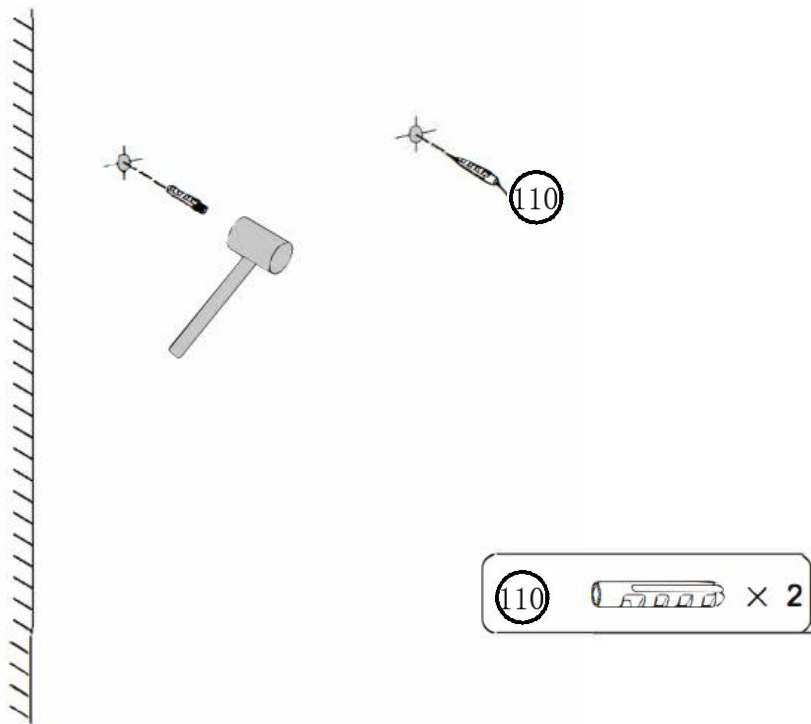


## Método de instalación 2

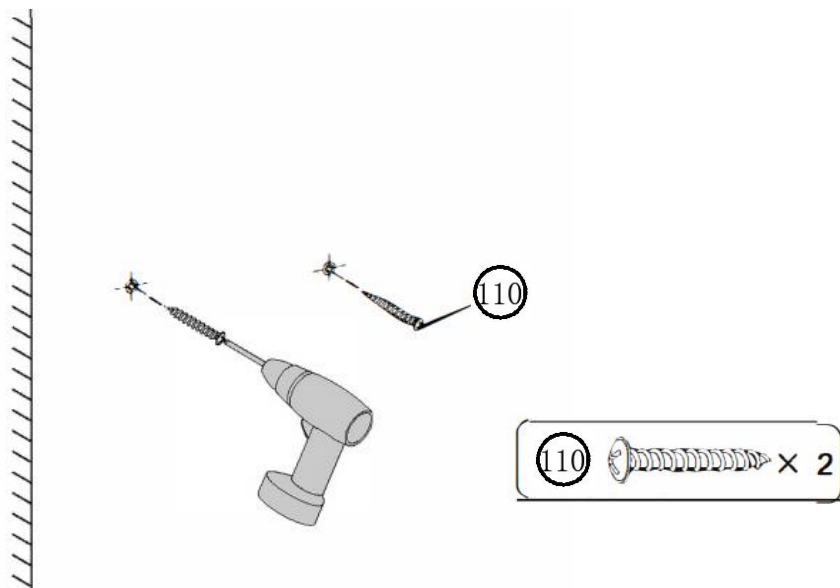
**STEP 1**



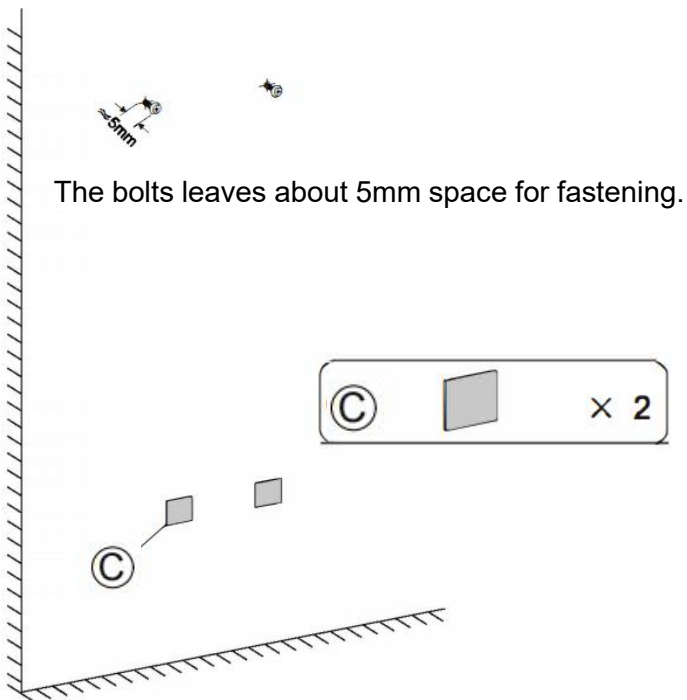
**PASO 2**



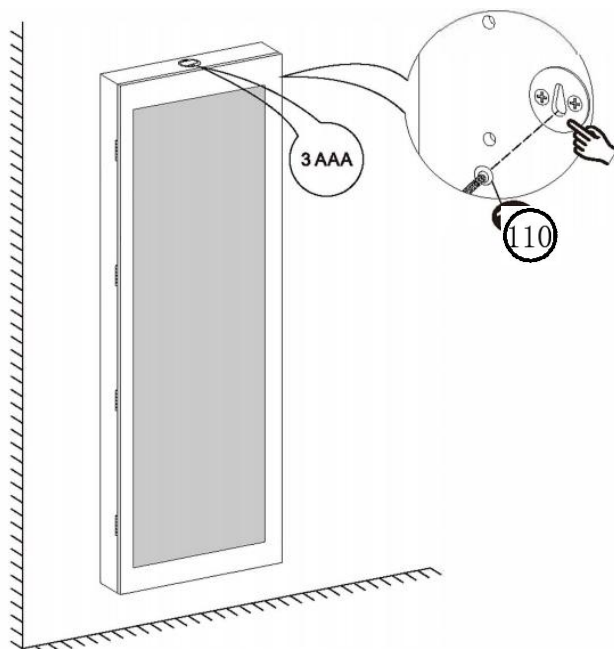
### PASO 3



## ETAPA 4



## PASO 5



## INSTRUCTIONS FOR LOCK

La cerradura se abre en el número original 0-0-0, alineado con la indicación línea.

### Método de cambio de contraseña :



Sharp object against this hole.

1. Enter the old password and align it with the scale.
2. Hold the pointed object against the hole, and then dial the desired password.
3. Let go and the password is set.

## MAINTENANCE

6. Abra y cierre la puerta ligeramente para no dañar las bisagras (el ángulo de apertura de la puerta es de aproximadamente 100 grados).
7. Coloque el artículo en un suelo plano y lejos de objetos afilados y duros. Prohibido arrastrar bruscamente el gabinete, levántelo para finalizar el movimiento.
8. Para el cuidado diario, limpie con un paño suave y seco. Si es necesario, puedes utilizar detergente neutro. No se debe permitir limpiar la superficie con un paño húmedo u objetos duros.
9. Mantenga el artículo alejado de productos químicos ácidos, para no provocar reacciones químicas o decoloración, etc.
10. Mantenga este producto en una habitación con temperatura normal. Evite la luz solar directa o cerca de fuentes de calor, que pueden provocar deformaciones, distorsiones e incluso grietas.

**VEVOR<sup>®</sup>**  
**TOUGH TOOLS, HALF PRICE**

**Técnico Certificado de soporte y garantía electrónica**  
**[www.vevor.com/support](http://www.vevor.com/support)**

# **VEVOR<sup>®</sup>**

**TOUGH TOOLS, HALF PRICE**

Supporto tecnico e certificato di garanzia elettronica [www.vevor.com/support](http://www.vevor.com/support)

**ARMADIO PORTAGIOIELLI**

**MODELLO:PY-2310SS /PY-2311SS/PY-2312SS/PY-2313SS**

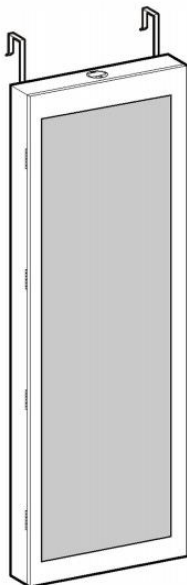
We continue to be committed to provide you tools with competitive price.  
"Save Half", "Half Price" or any other similar expressions used by us only represents an estimate of savings you might benefit from buying certain tools with us compared to the major top brands and does not necessarily mean to cover all categories of tools offered by us. You are kindly reminded to verify carefully when you are placing an order with us if you are actually saving half in comparison with the top major brands.

# VEVOR®

TOUGH TOOLS, HALF PRICE

## JEWELRY CABINET

MODELLO: PY-2310SS/PY-2311SS/PY-2312SS/PY-2313SS



### NEED HELP? CONTACT US!

Have product questions? Need technical support? Please feel free to contact us:

**Technical Support and E-Warranty Certificate**  
[www.vevor.com/support](http://www.vevor.com/support)

This is the original instruction, please read all manual instructions carefully before operating. VEVOR reserves a clear interpretation of our user manual. The appearance of the product shall be subject to the product you received. Please forgive us that we won't inform you again if there are any technology or software updates on our product.

## SAFETY INSTRUCTIONS

### **AVVERTIMENTO:**

23. Questo manuale elenca il contenuto incluso nella confezione. Si prega di dedicare del tempo all'identificazione dell'hardware e dei singoli componenti del prodotto.
24. Mentre disimballate e preparate per il montaggio, posizionate il contenuto su una zona coperta da moquette o imbottita per proteggerlo da eventuali danni.
25. Piccole parti presenti in stato non assemblato. C'è pericolo di soffocamento! Durante il processo di montaggio, tenere i piccoli oggetti fuori dalla portata dei bambini. Potrebbe essere fatale se ingerito o inalato.
26. Per evitare il pericolo di soffocamento, tenere il sacchetto di plastica lontano dalla portata di neonati e bambini.
27. Si prega di seguire attentamente le istruzioni di montaggio. Un montaggio improprio può causare danni personali o materiali.
28. Assemblato da un adulto. Il prodotto non è destinato ai bambini. I bambini devono essere sotto la supervisione di un adulto per utilizzare il prodotto. Altrimenti il venditore non è responsabile per danni o lesioni.
29. Non consentire mai ai bambini di arrampicarsi o giocare intorno al prodotto, per evitare che il prodotto cada e che il corpo dello specchio si rompa e per proteggere i bambini da lesioni personali.
30. Non installarlo in un luogo buio e umido.
31. Il prodotto deve essere montato a parete con gli accessori forniti o acquistabili autonomamente. Vietare ai bambini di arrampicarsi o di appendersi ai mobili.
32. Pulisci e disinfetta frequentemente il tuo prodotto per mantenerlo pulito e igienico.
33. Potrebbe verificarsi un odore quando si scarta la confezione, posizionare l'armadietto in un'area ventilata e aprire la porta per rimuovere l'odore.

## **Informazioni FCC per la lampada a LED**

**ATTENZIONE:** cambiamenti o modifiche non espressamente approvati dalla parte responsabile della conformità potrebbero invalidare il diritto dell'utente a utilizzare l'apparecchiatura!

Questo dispositivo è conforme alla Parte 15 delle norme FCC. Il funzionamento è soggetto alle seguenti due condizioni:

- 1) Questo prodotto può causare interferenze dannose.
- 2) Questo prodotto deve accettare qualsiasi interferenza ricevuta, comprese le interferenze che potrebbero causare un funzionamento indesiderato.

**AVVERTENZA:** cambiamenti o modifiche a questo prodotto non espressamente approvati dalla parte responsabile della conformità potrebbero annullare l'autorità dell'utente a utilizzare il prodotto.

Nota: questo prodotto è stato testato ed è risultato conforme ai limiti per un dispositivo digitale di Classe B ai sensi della Parte 15 delle norme FCC.

Questi limiti sono progettati per fornire una protezione ragionevole contro interferenze dannose in un'installazione residenziale.

Questo prodotto genera, utilizza e può irradiare energia in radiofrequenza e, se non installato e utilizzato in conformità con le istruzioni, può causare interferenze dannose alle comunicazioni radio. Tuttavia, non vi è alcuna garanzia che non si verifichino interferenze in una particolare installazione. Se questo prodotto causa interferenze dannose alla ricezione radiofonica o televisiva, cosa che può essere determinata spegnendo e accendendo il prodotto, si consiglia all'utente di provare a correggere l'interferenza adottando una o più delle seguenti misure.

- Riorientare o riposizionare l'antenna ricevente.
- Aumentare la distanza tra il prodotto e il ricevitore.
- Collegare il prodotto ad una presa su un circuito diverso da quello a cui è collegato il ricevitore.
- Consultare il rivenditore o un tecnico radio/TV esperto per assistenza.

## **CORRETTO SMALTIMENTO della lampada LED**



Questo prodotto è soggetto alle disposizioni della Direttiva europea 2012/19/UE. Il simbolo del bidone della spazzatura barrato indica

che nell'Unione Europea il prodotto richiede la raccolta differenziata dei rifiuti. Ciò vale per il prodotto e tutti gli accessori contrassegnati da questo simbolo. I prodotti contrassegnati come tali non possono essere smaltiti con i normali rifiuti domestici, ma devono essere portati in un punto di raccolta per il riciclaggio di dispositivi elettrici ed elettronici.

## MODEL AND PARAMETERS

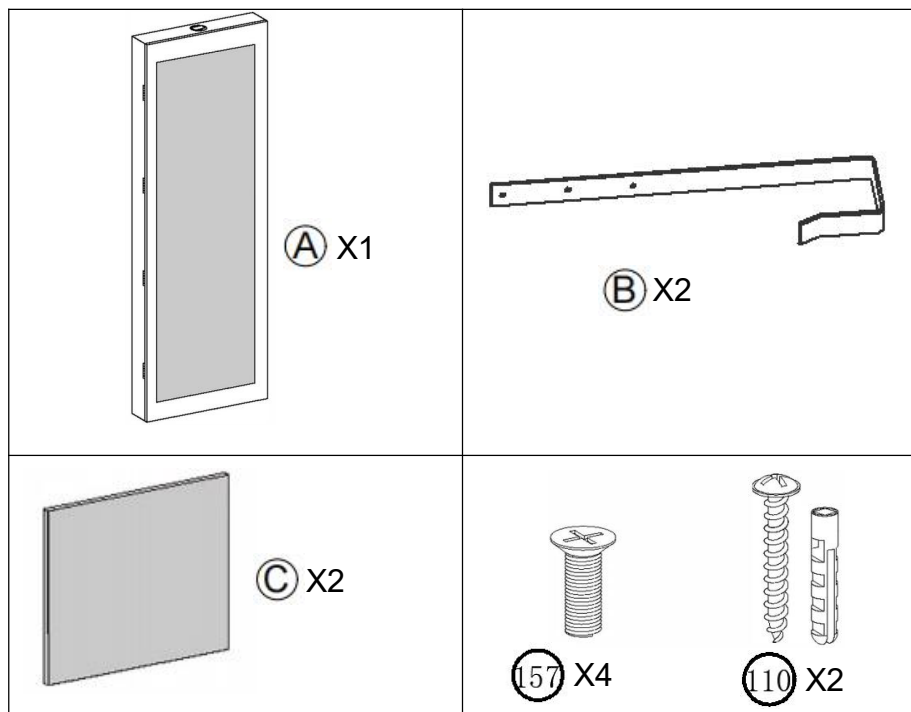
Modello	PY-2310SS	PY- 2311	PY- 2312	PY-231 3
Taglia del prodotto	A*L*P= 42,52*14,37*3,78		A*L*P= 47,05*14,37*3,54	
Colore	Bianco	Marrone	Bianco	Marrone
Luce a led	CC 5 V/4,5 W			
Tipo di montaggio	Montaggio a parete			
Materiale	Pannello di fibra a media densità+Vetro+Velluto			

## PARTS LIST AND INSTALLATION

### NOTA:

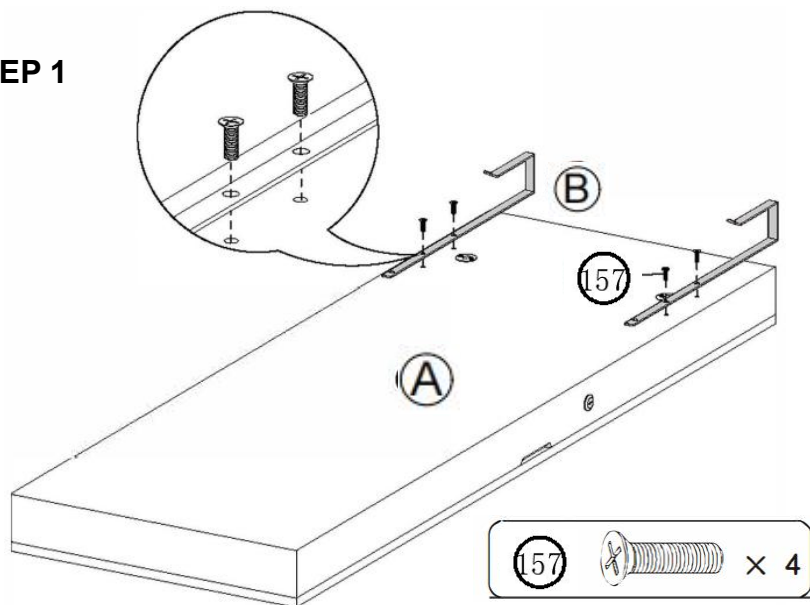
9. Controlla di avere tutte le parti come mostrato nell'elenco delle parti.
10. Seguire le fasi di montaggio indicate nello schema per posizionare e regolare le parti, quindi serrare gradualmente tutte le viti (nota: non serrare eccessivamente).
11. L'armadetto a parete viene fornito con viti e bulloni, adatto per essere montato su una superficie della parete solida e piana. Considerando la diversità del muro, è necessario acquistare gli accessori appropriati da rivenditore professionale. Gli strumenti non sono forniti.
12. Si consiglia di montare il mobiletto da parte di due adulti. Prestare

attenzione a montare l'armadio orizzontalmente e assicurarne la stabilità per evitare ribaltamenti o cadute.

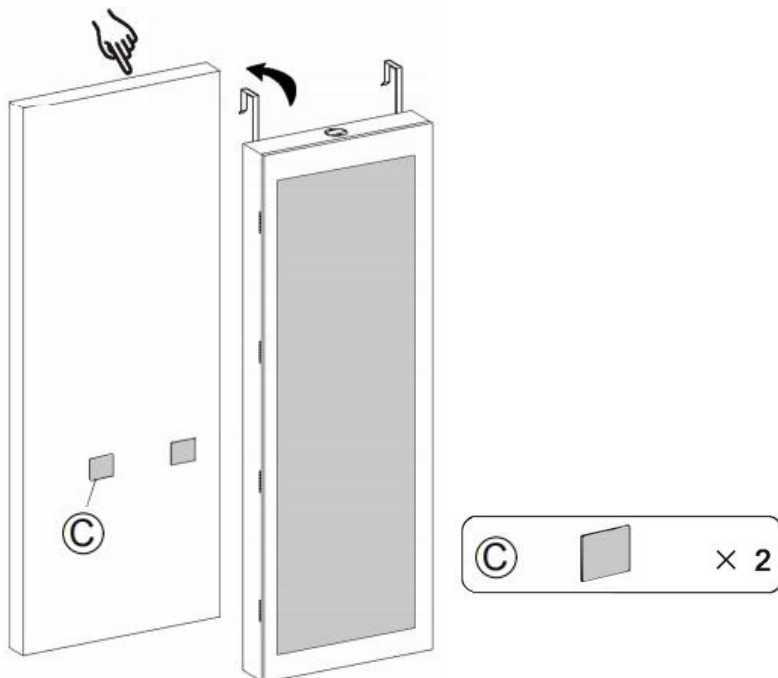


### Metodo di installazione 1

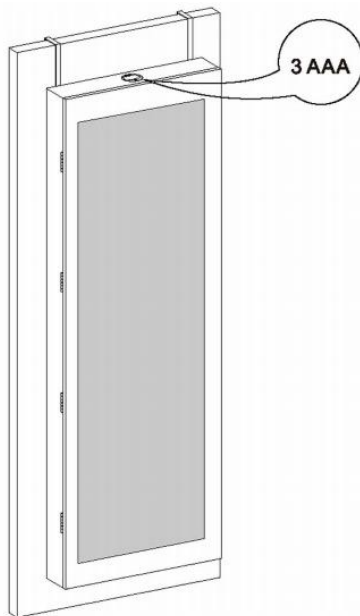
## STEP 1



## PASSO 2



## PASSO 3

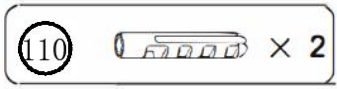
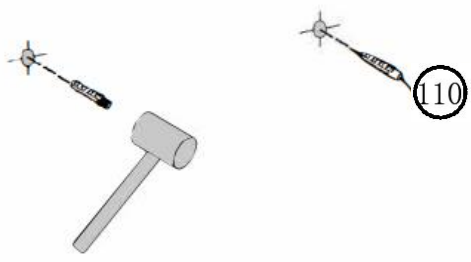


## Metodo di installazione 2

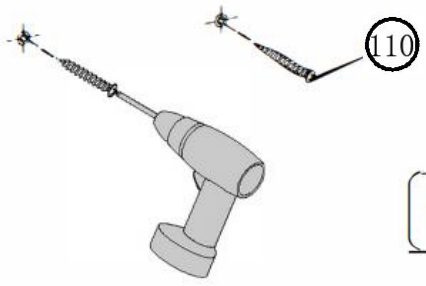
**STEP 1**



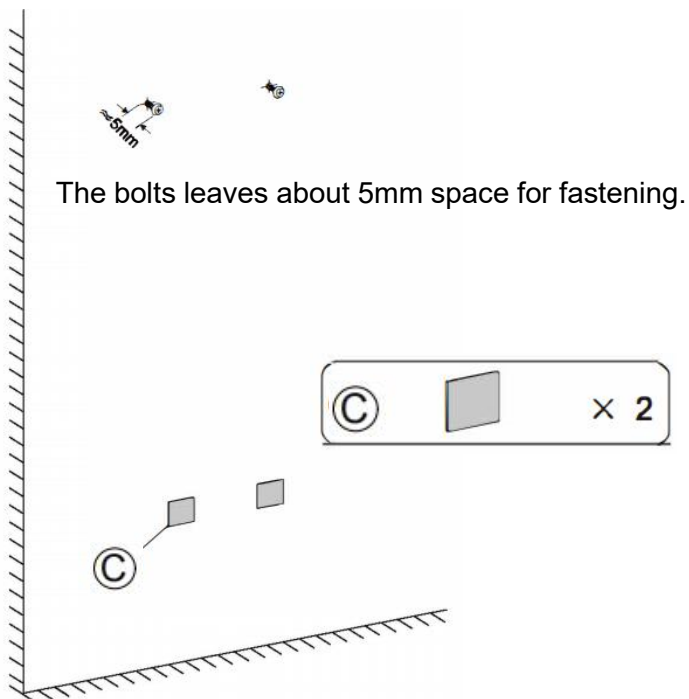
**PASSO 2**



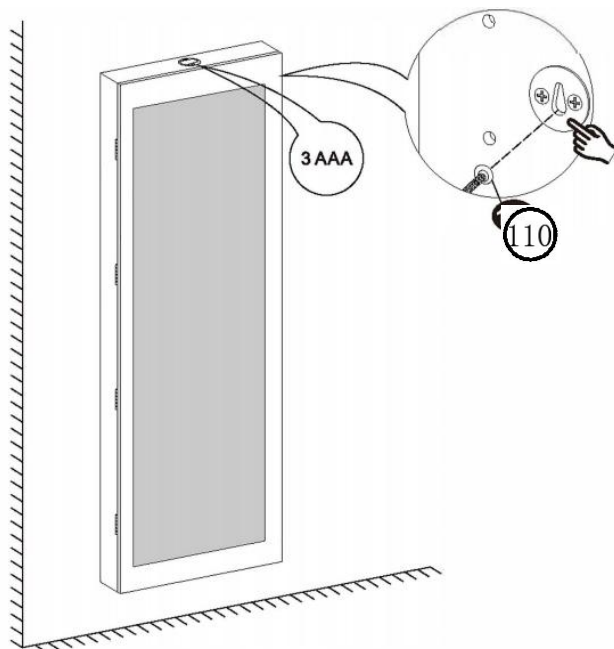
**PASSO 3**



## PASSO 4



## PASSO 5



## INSTRUCTIONS FOR LOCK

La serratura viene aperta al numero originale 0-0-0, allineato con l'indicazione linea.

### Metodo di modifica della password :



Sharp object against this hole.

1. Enter the old password and align it with the scale.
2. Hold the pointed object against the hole, and then dial the desired password.
3. Let go and the password is set.

## MAINTENANCE

11. Aprire e chiudere leggermente la porta, in modo da non danneggiare le cerniere (l'angolo di apertura della porta è di circa 100 gradi).
12. Si prega di posizionare l'articolo su una superficie piana e lontano da oggetti appuntiti e duri. Vietare di trascinare bruscamente l'armadietto, sollevarlo per completare lo spostamento.
13. Per la cura quotidiana, pulire con un panno morbido e asciutto. Se necessario potete utilizzare il detersivo neutro. Non pulire la superficie con un panno umido o oggetti duri.
14. Tenere l'articolo lontano da sostanze chimiche acide, in modo da non causare reazioni chimiche o scolorimento, ecc.
15. Conservare questo prodotto in una stanza con temperatura normale. Evitare la luce solare diretta o la vicinanza a fonti di calore, che possono provocarne deformazioni, distorsioni o addirittura fessurazioni.

**VEVOR**<sup>®</sup>  
TOUGH TOOLS, HALF PRICE

Tecnico Supporto e certificato di garanzia elettronica  
[www.vevor.com/support](http://www.vevor.com/support)

# **VEVOR<sup>®</sup>**

## **TOUGH TOOLS, HALF PRICE**

Wsparcie techniczne i certyfikat e-gwarancji [www.vevor.com/support](http://www.vevor.com/support)

### **SZAFA NA BIŻUTERIĘ**

**MODELU:PY-2310SS /PY-2311SS/PY-2312SS/PY-2313SS**

We continue to be committed to provide you tools with competitive price.

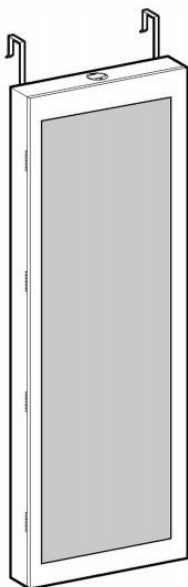
"Save Half", "Half Price" or any other similar expressions used by us only represents an estimate of savings you might benefit from buying certain tools with us compared to the major top brands and does not necessarily mean to cover all categories of tools offered by us. You are kindly reminded to verify carefully when you are placing an order with us if you are actually saving half in comparison with the top major brands.

# VEVOR<sup>®</sup>

TOUGH TOOLS, HALF PRICE

## JEWELRY CABINET

MODEL: PY-2310SS/PY-2311SS/PY-2312SS/PY-2313SS



### NEED HELP? CONTACT US!

Have product questions? Need technical support? Please feel free to contact us:

**Technical Support and E-Warranty Certificate**  
**[www.vevor.com/support](http://www.vevor.com/support)**

This is the original instruction, please read all manual instructions carefully before operating. VEVOR reserves a clear interpretation of our user manual. The appearance of the product shall be subject to the product you received. Please forgive us that we won't inform you again if there are any technology or software updates on our product.

## SAFETY INSTRUCTIONS

### OSTRZEŻENIE:

34. Niniejsza instrukcja zawiera listę zawartości zawartej w pudełku. Prosimy o poświęcenie czasu na identyfikację sprzętu oraz poszczególnych komponentów produktu.
35. Podczas rozpakowywania i przygotowywania do montażu połóż zawartość na wykładzinie lub wyściełanej powierzchni, aby zabezpieczyć ją przed uszkodzeniem.
36. Małe części obecne w stanie niezmontowanym. Istnieje ryzyko zadławienia! Podczas montażu małe przedmioty należy trzymać poza zasięgiem dzieci. Połknięcie lub wdychanie może grozić śmiercią.
37. Aby uniknąć niebezpieczeństwa uduszenia, plastikową torebkę należy trzymać z dala od niemowląt i dzieci.
38. Należy ściśle przestrzegać instrukcji montażu. Nieprawidłowy montaż może skutkować szkodami osobowymi lub rzeczowymi.
39. Złożony przez osobę dorosłą. Produkt nie jest przeznaczony dla dzieci. Aby korzystać z produktu, dzieci muszą znajdować się pod nadzorem osoby dorosłej. W przeciwnym razie sprzedawca nie ponosi odpowiedzialności za szkody lub obrażenia ciała.
40. Nigdy nie pozwalaj dzieciom wspinać się ani bawić się wokół produktu, aby zapobiec upadkowi produktu i uszkodzeniu korpusu lustra oraz chronić dzieci przed obrażeniami ciała.
41. Nie instaluj go w ciemnym, wilgotnym miejscu.
42. Produkt należy zamontować na ścianie za pomocą dostarczonych lub zakupionych we własnym zakresie akcesoriów . Zabroń dziecku wspinania się lub wieszania się na meblach.
43. czyść i dezynfekuj swój produkt , aby zachować jego czystość i higienę.
44. Po rozpakowaniu opakowania może pojawić się nieprzyjemny zapach. Proszę umieścić szafkę w wentylowanym miejscu i otworzyć drzwi, aby usunąć zapach.

## Informacje FCC dotyczące lampy LED

UWAGA: Zmiany lub modyfikacje, które nie zostały wyraźnie zatwierdzone przez stronę odpowiedzialną za zgodność, mogą unieważnić uprawnienia użytkownika do obsługi urządzenia!

To urządzenie jest zgodne z częścią 15 przepisów FCC. Działanie podlega następującym dwóm warunkom:

- 1) Ten produkt może powodować szkodliwe zakłócenia.
- 2) Ten produkt musi akceptować wszelkie odbierane zakłócenia, w tym zakłócenia, które mogą powodować niepożądane działanie.

**OSTRZEŻENIE:** Zmiany lub modyfikacje tego produktu, które nie zostały wyraźnie zatwierdzone przez stronę odpowiedzialną za zgodność, mogą unieważnić uprawnienia użytkownika do obsługi produktu.

Uwaga: ten produkt został przetestowany i stwierdzono, że spełnia ograniczenia dla urządzeń cyfrowych klasy B zgodnie z częścią 15 przepisów FCC. Ograniczenia te mają na celu zapewnienie rozsądnej ochrony przed szkodliwymi zakłóceniami w instalacjach domowych.

Ten produkt generuje, wykorzystuje i może emitować energię o częstotliwości radiowej, a jeśli nie zostanie zainstalowany i nie będzie używany zgodnie z instrukcją, może powodować szkodliwe zakłócenia w komunikacji radiowej. Nie ma jednak gwarancji, że w konkretnej instalacji nie wystąpią zakłócenia. Jeśli produkt powoduje szkodliwe zakłócenia w odbiorze radia lub telewizji, co można stwierdzić poprzez wyłączenie i włączenie produktu, zachęca się użytkownika do podjęcia próby skorygowania zakłóceń za pomocą jednego lub kilku z poniższych środków.

- Zmień orientację lub położenie anteny odbiorczej.
- Zwiększ odległość pomiędzy produktem a odbiornikiem.
- Podłącz produkt do gniazdka w innym obwodzie niż ten, do którego podłączony jest odbiornik.
- Skonsultuj się ze sprzedawcą lub doświadczonym technikiem radiowo-telewizyjnym w celu uzyskania pomocy.

## PRAWIDŁOWA UTYLIZACJA lampy LED



Ten produkt podlega postanowieniom dyrektywy europejskiej

2012/19/UE. Symbol przekreślonego kosza na śmieci oznacza, że produkt wymaga selektywnej zbiórki śmieci na terenie Unii Europejskiej. Dotyczy to produktu i wszystkich akcesoriów oznaczonych tym symbolem. Produktów oznaczonych jako takie nie można wyrzucać razem ze zwykłymi odpadami domowymi, lecz należy je przekazać do punktu zbiórki w celu recyklingu urządzeń elektrycznych i elektronicznych.

## MODEL AND PARAMETERS

Model	PY-2310SS	PY-231 1	PY-231 2	PY-231 3
Rozmiar produktu	wys.*szer.*gł.=		wys.*szer.*gł.=	
Kolor	Biały	brązowy	Biały	brązowy
Dioda LED	Napięcie stałe 5 V/4,5 W			
Typ mocowania	Montaż naścienny			
Materiał	Płyta pilśniowa średniej gęstości + szkło + aksamit			

## PARTS LIST AND INSTALLATION

### NOTATKA:

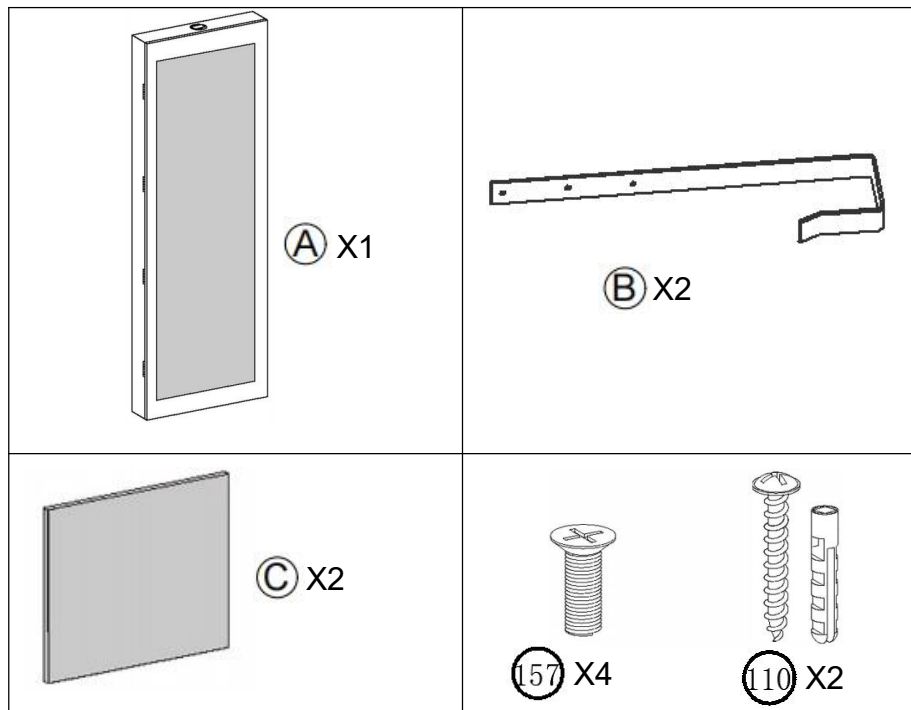
13. Sprawdź, czy posiadasz wszystkie części, jak pokazano na liście części.

14. Postępuj zgodnie z krokami montażu pokazanymi na schemacie, aby ustawić i wyregulować części, a następnie stopniowo dokręcaj wszystkie śruby (uwaga: nie dokręcaj zbyt mocno).

15. Szafka naścienna jest dostarczana ze śrubami i wkrętami, które nadają się do montażu na solidnej i płaskiej powierzchni ściany. Biorąc pod uwagę różnorodność ściany, należy zakupić odpowiednie okucia

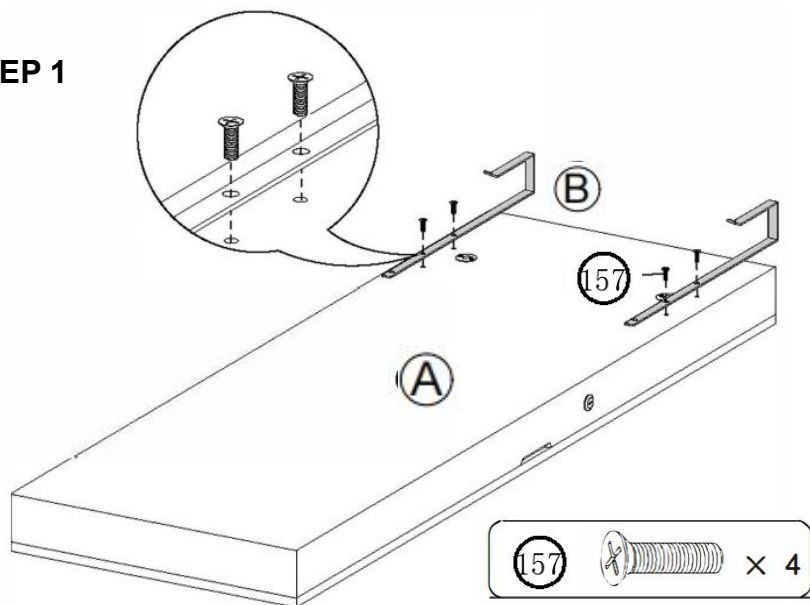
profesjonalny sprzedawca. Narzędzia nie są dostarczane.

16. Zaleca się montaż szafki przez dwie osoby dorosłe. Zwróć uwagę, aby zamontować szafkę poziomo i upewnij się, że jest stabilna, aby uniknąć przewrócenia się lub upadku.

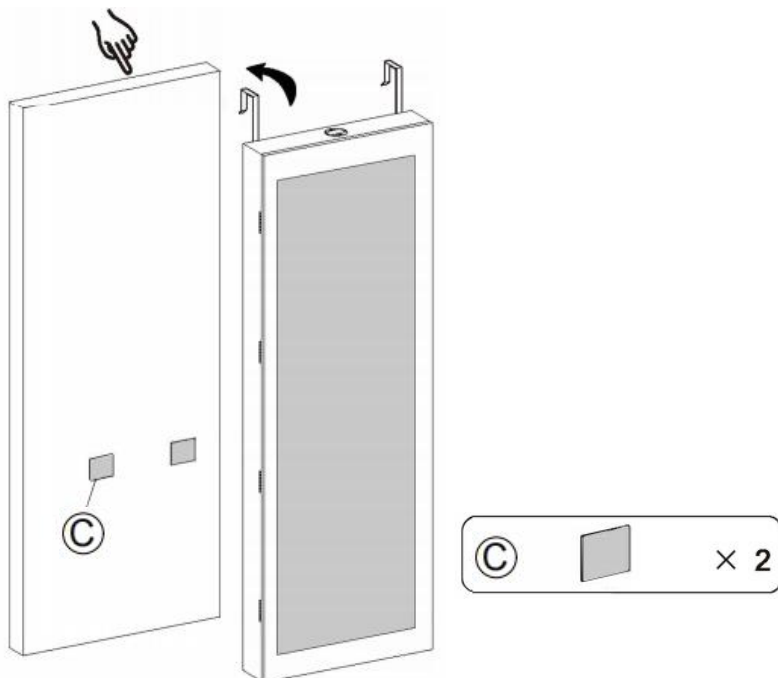


### Metoda instalacji 1

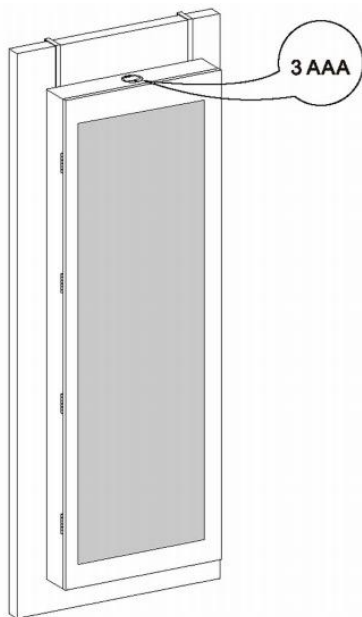
## STEP 1



## KROK 2

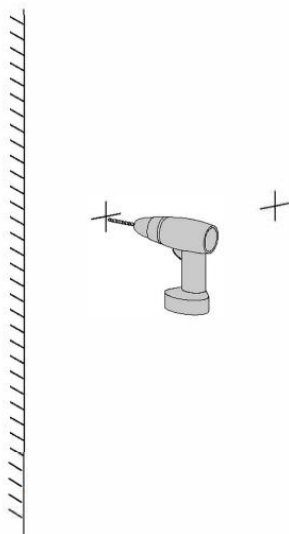


## KROK 3

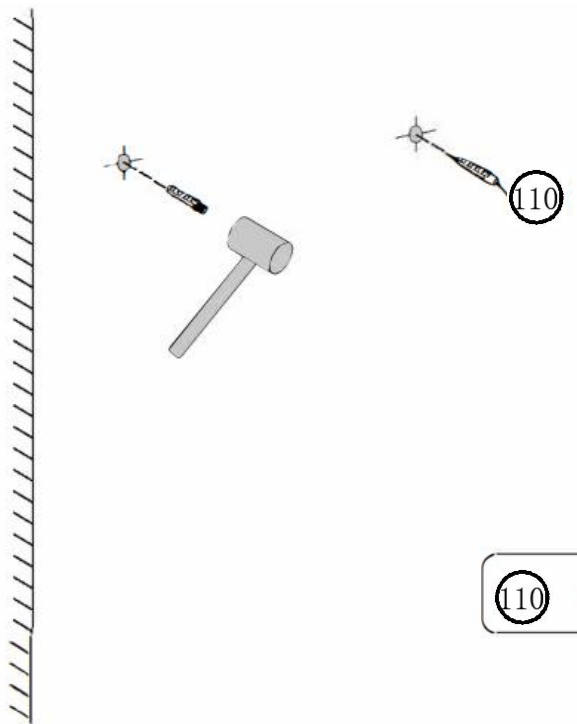


## Metoda instalacji 2

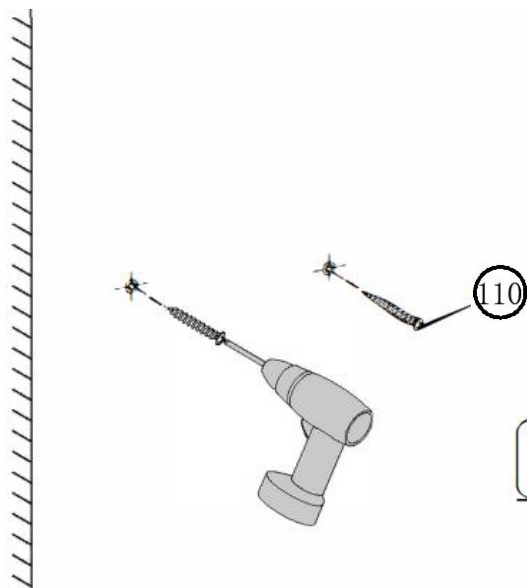
STEP 1



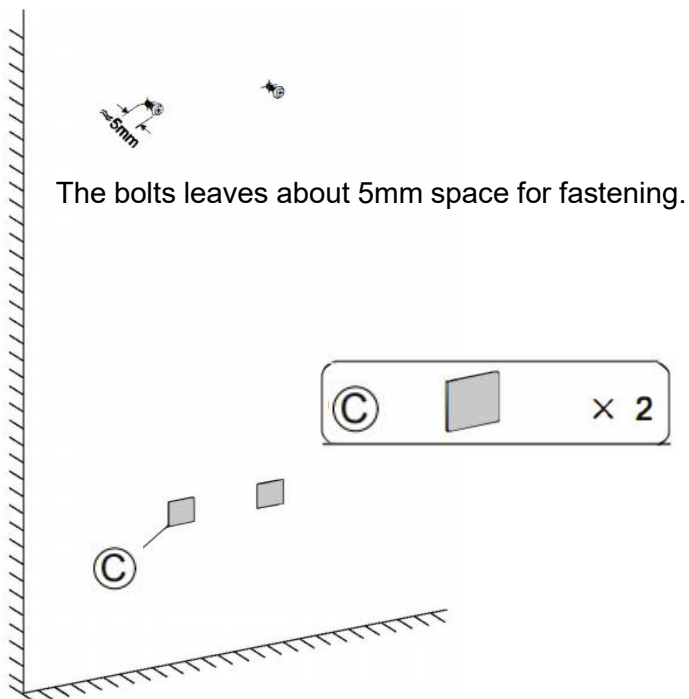
KROK 2



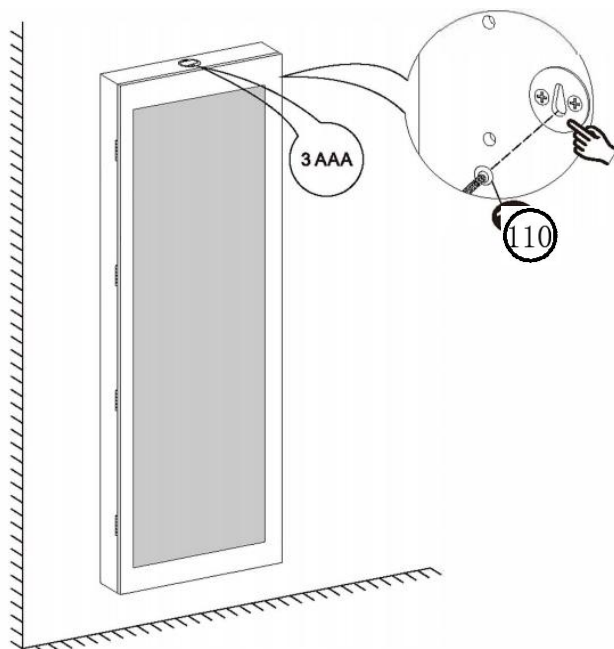
### KROK 3



## KROK 4



## KROK 5



## INSTRUCTIONS FOR LOCK

Zamek otwiera się przy pierwotnym numerze 0-0-0, zgodnym ze wskazaniem linia.

### Metoda zmiany hasła :



Sharp object against this hole.

1. Enter the old password and align it with the scale.
2. Hold the pointed object against the hole, and then dial the desired password.
3. Let go and the password is set.

## MAINTENANCE

16. Lekko otwieraj i zamykaj drzwi, aby nie uszkodzić zawiasów (kąąt otwarcia drzwi wynosi około 100 stopni).
17. Proszę położyć artykuł na płaskiej powierzchni, z dala od ostrych i twardych przedmiotów. Zabroń niegrzecznego ciągnięcia szafki, podnieś ją, aby zakończyć przenoszenie.
18. Do codziennej pielęgnacji należy czyścić miękką i suchą ściereczką. Jeśli to konieczne, możesz użyć neutralnego detergentu. Nie wolno wycierać powierzchni mokrą szmatką lub twardymi przedmiotami.
19. Trzymaj artykuł z dala od kwaśnych środków chemicznych, aby nie spowodować reakcji chemicznej, odbarwienia itp.
20. Przechowuj ten produkt w pomieszczeniu o normalnej temperaturze. Unikaj bezpośredniego światła słonecznego lub blisko źródeł ciepła, które mogą powodować deformacje, zniekształcenia, a nawet pękanie.

**VEVOR<sup>®</sup>**  
**TOUGH TOOLS, HALF PRICE**

**Techniczny Certyfikat wsparcia i e-gwarancji**  
**[www.vevor.com/support](http://www.vevor.com/support)**

# **VEVOR<sup>®</sup>**

## **TOUGH TOOLS, HALF PRICE**

Technischer Support und E-Garantie-Zertifikat [www.vevor.com/support](http://www.vevor.com/support)

### **SCHMUCKSCHRANK**

**MODELL: PY-2310SS /PY-2311SS/PY-2312SS/PY-2313SS**

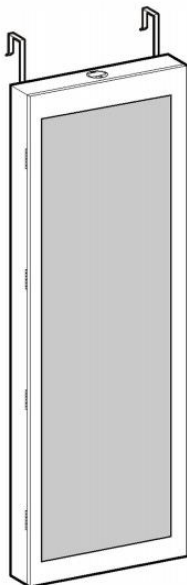
We continue to be committed to provide you tools with competitive price. "Save Half", "Half Price" or any other similar expressions used by us only represents an estimate of savings you might benefit from buying certain tools with us compared to the major top brands and does not necessarily mean to cover all categories of tools offered by us. You are kindly reminded to verify carefully when you are placing an order with us if you are actually saving half in comparison with the top major brands.

# VEVOR®

TOUGH TOOLS, HALF PRICE

## JEWELRY CABINET

MODELL: PY-2310SS/PY-2311SS/PY-2312SS/PY-2313SS



### NEED HELP? CONTACT US!

Have product questions? Need technical support? Please feel free to contact us:

**Technical Support and E-Warranty Certificate**  
**[www.vevor.com/support](http://www.vevor.com/support)**

This is the original instruction, please read all manual instructions carefully before operating. VEVOR reserves a clear interpretation of our user manual. The appearance of the product shall be subject to the product you received. Please forgive us that we won't inform you again if there are any technology or software updates on our product.

## SAFETY INSTRUCTIONS

### **WARNING:**

45. Dieses Handbuch listet den Inhalt der Verpackung auf. Bitte nehmen Sie sich Zeit, um die Hardware sowie die einzelnen Komponenten des Produkts zu identifizieren.
46. Legen Sie den Inhalt beim Auspacken und Vorbereiten für die Montage auf einen Teppich oder eine gepolsterte Fläche, um ihn vor Beschädigungen zu schützen.
47. Kleinteile im unmontierten Zustand vorhanden. Es besteht Erstickungsgefahr! Bewahren Sie während der Montage kleine Gegenstände außerhalb der Reichweite von Kindern auf. Das Verschlucken oder Einatmen kann tödlich sein.
48. Um Erstickungsgefahr zu vermeiden, halten Sie die Plastiktüte von Babys und Kindern fern.
49. Bitte halten Sie sich genau an die Montageanleitung. Eine unsachgemäße Montage kann zu Personen- oder Sachschäden führen.
50. Montage durch einen Erwachsenen. Das Produkt ist nicht für Kinder bestimmt. Kinder müssen das Produkt unter Aufsicht eines Erwachsenen verwenden. Andernfalls  
Der Verkäufer haftet nicht für den Schaden oder die Verletzung.
51. Erlauben Sie Kindern niemals, auf das Produkt zu klettern oder in der Nähe davon zu spielen. So verhindern Sie, dass das Produkt herunterfällt oder der Spiegelkörper zerbricht, und schützen Sie Kinder vor Verletzungen.
52. es nicht an einem dunklen, feuchten Ort.
53. Das Produkt muss mit mitgeliefertem oder selbst gekauftem Zubehör an der Wand befestigt werden. Verhindern Sie, dass Kinder auf das Möbel klettern oder daran hängen.
54. Reinigen und desinfizieren Sie Ihr Produkt regelmäßig, um es sauber und hygienisch zu halten.
55. Beim Auspacken kann ein Geruch auftreten. Stellen Sie den Schrank bitte an einen belüfteten Ort und öffnen Sie die Tür, um den Geruch zu

entfernen.

### **FCC-Informationen zur LED-Lampe**

**ACHTUNG:** Durch Änderungen oder Modifikationen, die nicht ausdrücklich von der für die Konformität verantwortlichen Partei genehmigt wurden, kann die Berechtigung des Benutzers zum Betrieb des Geräts erlöschen! Dieses Gerät entspricht Teil 15 der FCC-Bestimmungen. Der Betrieb unterliegt den folgenden zwei Bedingungen:

- 1) Dieses Produkt kann schädliche Störungen verursachen.
- 2) Dieses Produkt muss alle empfangenen Störungen tolerieren, einschließlich Störungen, die einen unerwünschten Betrieb verursachen können.

**WARNUNG:** Änderungen oder Modifikationen an diesem Produkt, die nicht ausdrücklich von der für die Konformität verantwortlichen Partei genehmigt wurden, können zum Erlöschen der Berechtigung des Benutzers zum Betrieb des Produkts führen.

Hinweis: Dieses Produkt wurde getestet und entspricht den Grenzwerten für digitale Geräte der Klasse B gemäß Teil 15 der FCC-Bestimmungen. Diese Grenzwerte sollen einen angemessenen Schutz gegen schädliche Störungen bei der Installation in Wohngebieten bieten.

Dieses Produkt erzeugt und verwendet Hochfrequenzenergie und kann diese auch ausstrahlen. Wenn es nicht gemäß den Anweisungen installiert und verwendet wird, kann es zu Störungen des Funkverkehrs kommen. Es gibt jedoch keine Garantie dafür, dass bei einer bestimmten Installation keine Störungen auftreten. Wenn dieses Produkt Störungen des Radio- oder Fernsehempfangs verursacht (was durch Ein- und Ausschalten des Produkts festgestellt werden kann), wird dem Benutzer empfohlen, die Störungen durch eine oder mehrere der folgenden Maßnahmen zu beheben.

- Empfangsantenne neu ausrichten oder verlegen.
- Vergrößern Sie den Abstand zwischen Produkt und Empfänger.
- Schließen Sie das Produkt an eine Steckdose eines anderen Stromkreises an als den, an den der Empfänger angeschlossen ist.
- Wenden Sie sich an den Händler oder einen erfahrenen

Radio-/Fernsehtechniker.

## RICHTIGE ENTSORGUNG für LED-Lampe



Dieses Produkt unterliegt den Bestimmungen der europäischen Richtlinie 2012/19/EU. Das Symbol einer durchgestrichenen Mülltonne weist darauf hin, dass dieses Produkt in der Europäischen Union einer getrennten Müllentsorgung unterliegt. Dies gilt für das Produkt und alle mit diesem Symbol gekennzeichneten Zubehörteile. So gekennzeichnete Produkte dürfen nicht im normalen Hausmüll entsorgt werden, sondern müssen an einer Sammelstelle für das Recycling von elektrischen und elektronischen Geräten abgegeben werden.

## MODEL AND PARAMETERS

Modell	PY-2310SS	PY-231 1	PY-231 2	PY-231 3
Produktgröße	H*B*T= 42,52*14,37*3,78		H*B*T= 47,05*14,37*3,54	
Farbe	Weiß	Braun	Weiß	Braun
LED-Licht	Gleichstrom 5 V/4,5 W			
Befestigungsart	Wandmontage			
Material	Mitteldichte Faserplatte + Glas + Samt			

## PARTS LIST AND INSTALLATION

### NOTIZ:

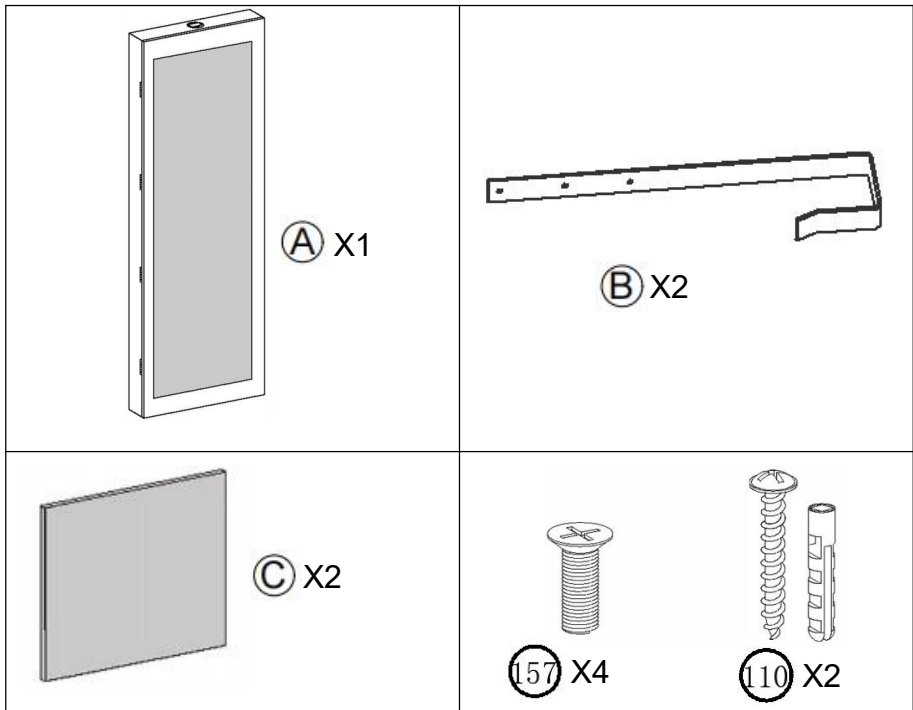
17. Bitte überprüfen Sie, ob Sie alle in der Teileliste aufgeführten Teile haben.

18. Befolgen Sie zum Positionieren und Ausrichten der Teile die Montageschritte in der Abbildung und ziehen Sie anschließend alle Schrauben nach und nach fest (Hinweis: nicht zu fest anziehen).

19. Der Wandschrank wird mit Schrauben und Bolzen geliefert und eignet sich für die Montage an einer festen und flachen Wandfläche. Angesichts der Vielfalt der Wände müssen Sie die entsprechenden Beschläge von kaufen

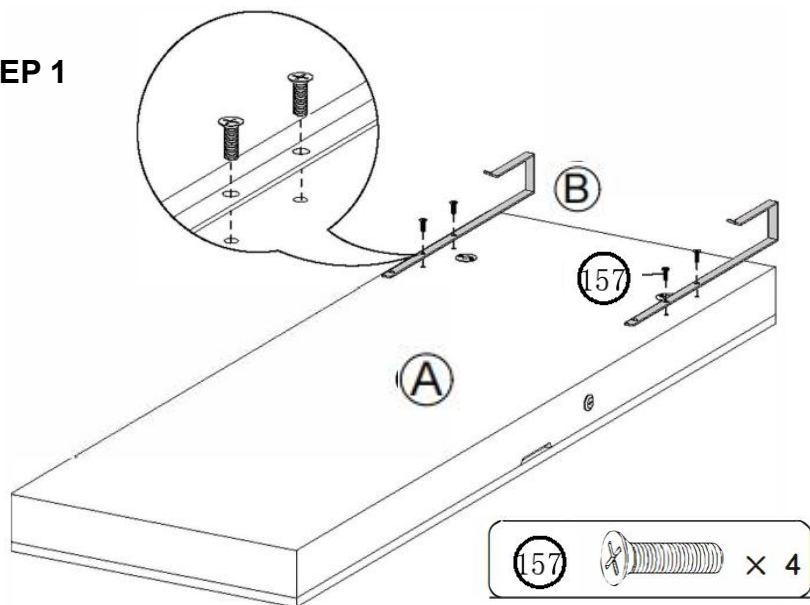
Fachhändler. Die Werkzeuge sind nicht im Lieferumfang enthalten.

20. Es wird empfohlen, den Schrank von zwei Erwachsenen montieren zu lassen. Achten Sie darauf, den Schrank waagrecht zu montieren und stellen Sie sicher, dass er fest sitzt, damit er nicht umkippt oder herunterfällt.

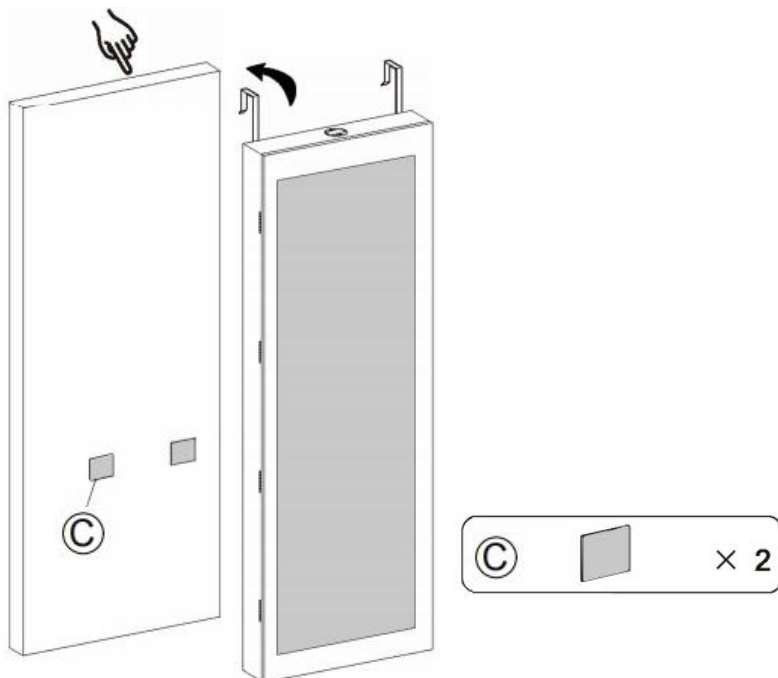


### Installationsmethode 1

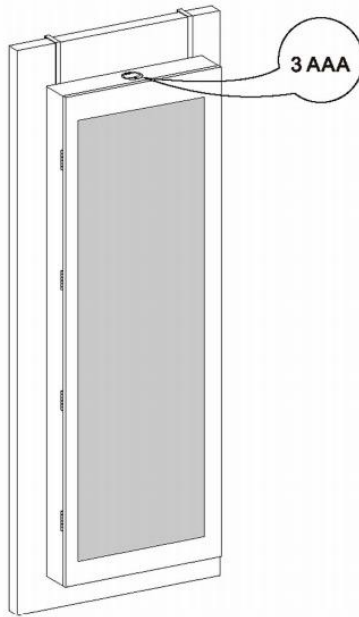
## STEP 1



## SCHRITT 2



## SCHRITT 3

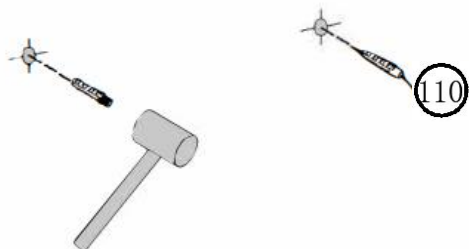


## Installationsmethode 2

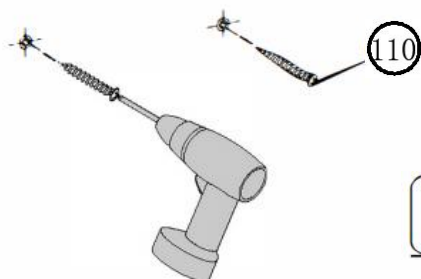
**STEP 1**



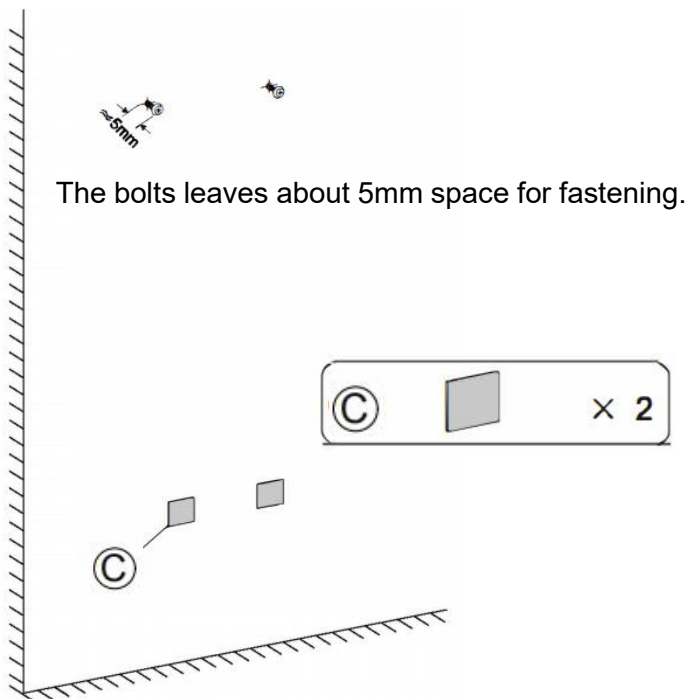
**SCHRITT 2**



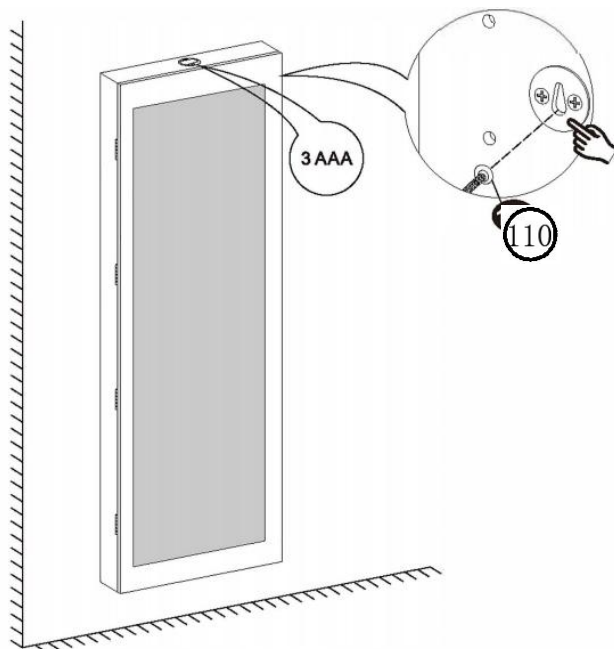
### SCHRITT 3



## SCHRITT 4



## SCHRITT 5



## INSTRUCTIONS FOR LOCK

Das Schloss wird bei der ursprünglichen Nummer 0-0-0 geöffnet, ausgerichtet auf die Anzeige Linie.

### Methode zur Passwortänderung :



Sharp object against this hole.

1. Enter the old password and align it with the scale.
2. Hold the pointed object against the hole, and then dial the desired password.
3. Let go and the password is set.

## MAINTENANCE

21. Öffnen und schließen Sie die Tür nur leicht, um die Scharniere nicht zu beschädigen (Öffnungswinkel der Tür beträgt ca. 100 Grad.)
22. Bitte stellen Sie den Artikel auf einen ebenen Boden und fern von scharfen und harten Gegenständen. Vermeiden Sie es, den Schrank grob zu ziehen. Heben Sie ihn bitte an, um den Transport abzuschließen.
23. Zur täglichen Pflege verwenden Sie bitte ein weiches, trockenes Tuch. Bei Bedarf können Sie ein neutrales Reinigungsmittel verwenden. Die Oberfläche darf nicht mit einem feuchten Tuch oder harten Gegenständen abgewischt werden.
24. Halten Sie den Artikel von säurehaltigen Chemikalien fern, um keine chemischen Reaktionen oder Verfärbungen usw. hervorzurufen.
25. Bewahren Sie das Produkt in einem Raum mit normaler Temperatur auf. Vermeiden Sie direkte Sonneneinstrahlung oder die Nähe zu Wärmequellen, da dies zu Verformungen, Verzerrungen oder sogar Rissen führen kann.

**VEVOR**<sup>®</sup>  
TOUGH TOOLS, HALF PRICE

Technisch Support und E-Garantie-Zertifikat  
[www.vevor.com/support](http://www.vevor.com/support)

# **VEVOR<sup>®</sup>**

## **TOUGH TOOLS, HALF PRICE**

Assistance technique et certificat de garantie électronique [www.vevor.com/support](http://www.vevor.com/support)

### **ARMOIRE À BIJOUX**

**MODÈLE : PY-2310SS /PY-2311SS/PY-2312SS/PY-2313SS**

We continue to be committed to provide you tools with competitive price.

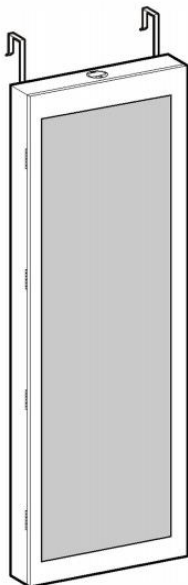
"Save Half", "Half Price" or any other similar expressions used by us only represents an estimate of savings you might benefit from buying certain tools with us compared to the major top brands and does not necessarily mean to cover all categories of tools offered by us. You are kindly reminded to verify carefully when you are placing an order with us if you are actually saving half in comparison with the top major brands.

# VEVOR®

TOUGH TOOLS, HALF PRICE

## JEWELRY CABINET

MODÈLE : PY-2310SS/PY-2311SS/PY-2312SS/PY-2313SS



### NEED HELP? CONTACT US!

Have product questions? Need technical support? Please feel free to contact us:

**Technical Support and E-Warranty Certificate**  
**[www.vevor.com/support](http://www.vevor.com/support)**

This is the original instruction, please read all manual instructions carefully before operating. VEVOR reserves a clear interpretation of our user manual. The appearance of the product shall be subject to the product you received. Please forgive us that we won't inform you again if there are any technology or software updates on our product.

## SAFETY INSTRUCTIONS

### **AVERTISSEMENT:**

56. Ce manuel répertorie le contenu inclus dans la boîte. Veuillez prendre le temps d'identifier le matériel ainsi que les composants individuels du produit.
57. Lorsque vous déballez et préparez l'assemblage, placez le contenu sur une zone recouverte de moquette ou rembourrée pour le protéger des dommages.
58. Petites pièces présentes à l'état non assemblé. C'est un risque d'étouffement ! Pendant le processus de montage, gardez les petits objets hors de portée des enfants. Il peut être mortel en cas d'ingestion ou d'inhalation.
59. Pour éviter tout risque d'étouffement, gardez le sac en plastique hors de portée des bébés et des enfants.
60. Veuillez suivre attentivement les instructions de montage. Un assemblage incorrect peut entraîner des dommages personnels ou matériels.
61. Assemblé par un adulte. Le produit n'est pas destiné aux enfants. Les enfants doivent être sous la surveillance d'un adulte pour utiliser le produit. Sinon le vendeur n'est pas responsable des dommages ou des blessures.
62. Ne laissez jamais les enfants grimper ou jouer autour du produit, afin d'éviter que le produit ne tombe et que le corps du miroir ne se brise, et protégez les enfants contre les blessures.
63. Ne l'installez pas dans un endroit sombre et humide.
64. Le produit doit être monté au mur avec les accessoires fournis ou achetés soi-même. Interdire aux enfants de grimper ou de s'accrocher aux meubles.
65. Nettoyez et désinfectez fréquemment votre produit pour le garder propre et hygiénique.
66. Il peut y avoir une odeur lorsque vous déballez l'emballage, veuillez placer l'armoire dans un endroit aéré et ouvrir la porte pour éliminer l'odeur.

## **Informations FCC pour la lampe LED**

**ATTENTION** : Les changements ou modifications non expressément approuvés par la partie responsable de la conformité pourraient annuler le droit de l'utilisateur à utiliser l'équipement !

Cet appareil est conforme à la partie 15 des règles FCC. L'exploitation est soumise aux deux conditions suivantes :

- 1) Ce produit peut provoquer des interférences nuisibles.
- 2) Ce produit doit accepter toute interférence reçue, y compris les interférences susceptibles de provoquer un fonctionnement indésirable.

**AVERTISSEMENT** : les changements ou modifications apportés à ce produit non expressément approuvés par la partie responsable de la conformité pourraient annuler l'autorité de l'utilisateur à utiliser le produit.

Remarque : Ce produit a été testé et déclaré conforme aux limites d'un appareil numérique de classe B conformément à la partie 15 des règles de la FCC. Ces limites sont conçues pour fournir une protection raisonnable contre les interférences nuisibles dans une installation résidentielle.

Ce produit génère, utilise et peut émettre de l'énergie radiofréquence et, s'il n'est pas installé et utilisé conformément aux instructions, il peut provoquer des interférences nuisibles aux communications radio.

Cependant, rien ne garantit que des interférences ne se produiront pas dans une installation particulière. Si ce produit provoque des interférences nuisibles à la réception radio ou télévision, ce qui peut être déterminé en éteignant et rallumant le produit, l'utilisateur est encouragé à essayer de corriger les interférences en prenant une ou plusieurs des mesures suivantes.

- Réorientez ou déplacez l'antenne de réception.
- Augmentez la distance entre le produit et le récepteur.
- Connectez le produit à une prise sur un circuit différent de celui auquel le récepteur est connecté.
- Consultez le revendeur ou un technicien radio/TV expérimenté pour obtenir de l'aide.

## **ÉLIMINATION CORRECTE pour la lampe LED**



Ce produit est soumis aux dispositions de la directive européenne 2012/19/UE. Le symbole représentant une poubelle barrée indique que le produit nécessite une collecte sélective des déchets dans l'Union européenne. Ceci s'applique au produit et à tous les accessoires marqués de ce symbole. Les produits marqués comme tels ne doivent pas être jetés avec les ordures ménagères normales, mais doivent être déposés dans un point de collecte pour le recyclage des appareils électriques et électroniques.

## MODEL AND PARAMETERS

Modèle	PY-2310SS	PY-231 1	PY-231 2	PY-231 3
Taille du produit	H*L*P= 42,52*14,37*3,78		H*L*P= 47,05*14,37*3,54	
Couleur	Blanc	Brun	Blanc	Brun
Lumière LED	C.C 5 V/4,5 W			
Type de montage	Montage mural			
Matériel	Panneaux de fibres de moyenne			

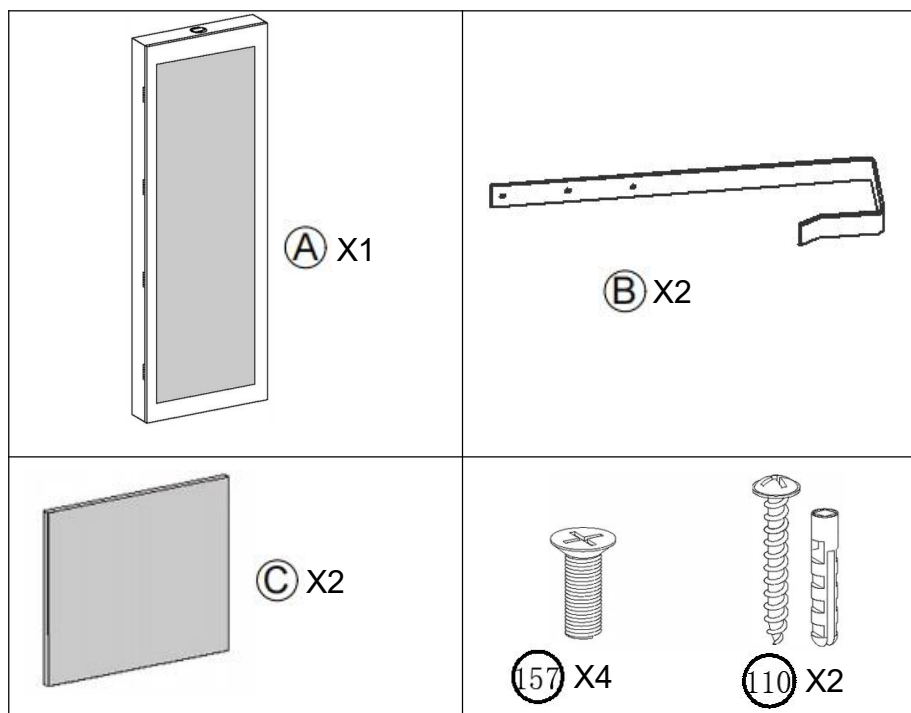
## PARTS LIST AND INSTALLATION

### NOTE:

21. Veuillez vérifier que vous disposez de toutes les pièces indiquées dans la liste des pièces.
22. Suivez les étapes d'assemblage indiquées sur le schéma pour positionner et ajuster les pièces, puis serrez progressivement toutes les vis (remarque : ne serrez pas excessivement).
23. L'armoire murale est livrée avec des vis et des boulons, qui peuvent

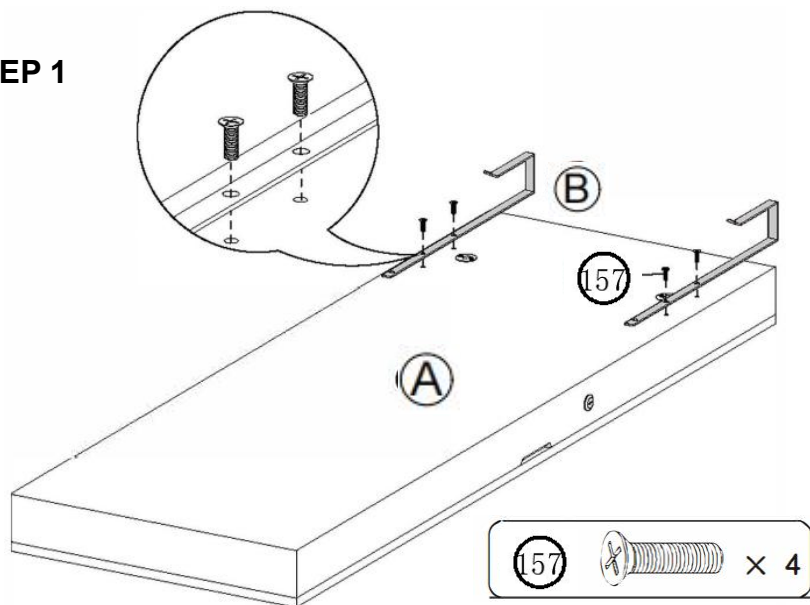
être montés sur une surface murale solide et plane. Compte tenu de la diversité du mur, vous devez acheter les ferrures appropriées auprès de revendeur professionnel. Les outils ne sont pas fournis.

24. Il est recommandé de monter l'armoire par deux adultes. Faites attention à monter l'armoire horizontalement et assurez-vous de la fermeté pour éviter de se renverser ou de tomber.

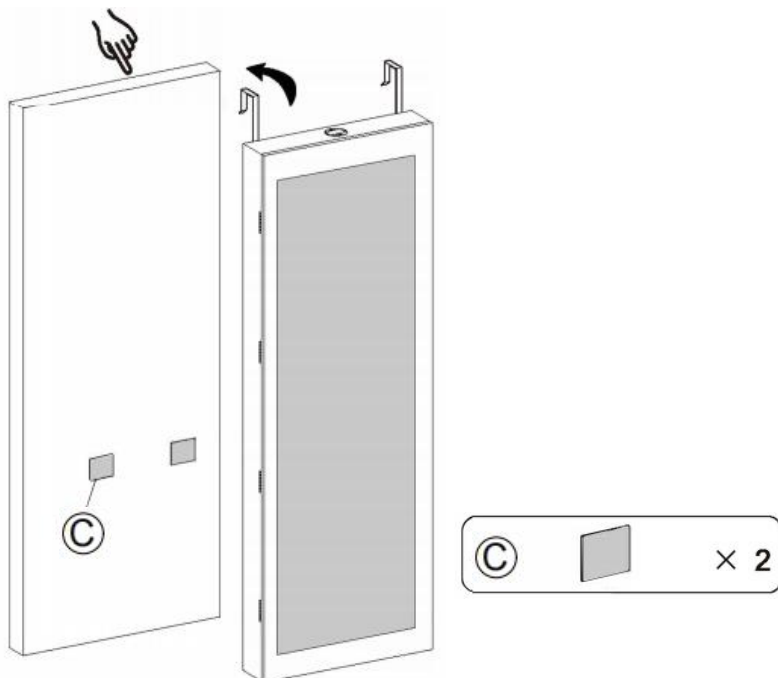


### Méthode d'installation 1

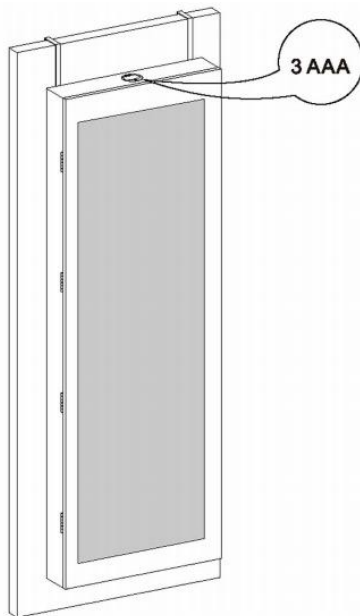
## STEP 1



## ÉTAPE 2



## ÉTAPE 3

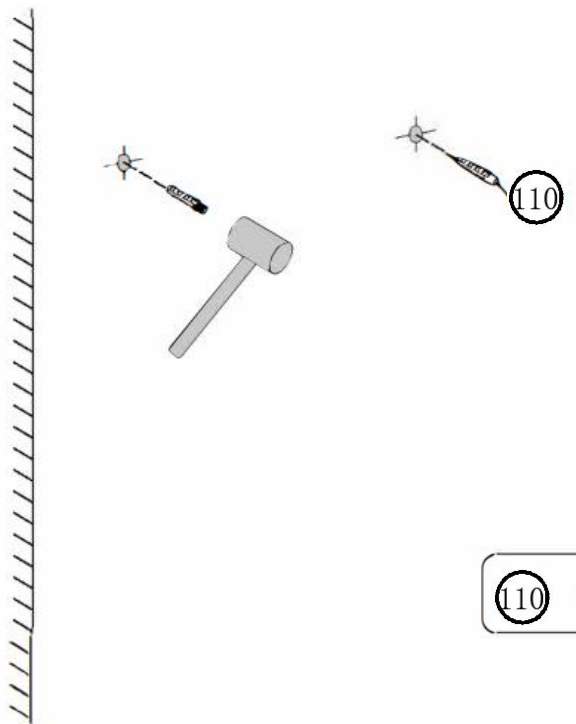


## Méthode d'installation 2

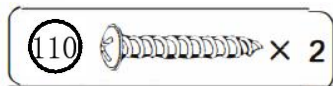
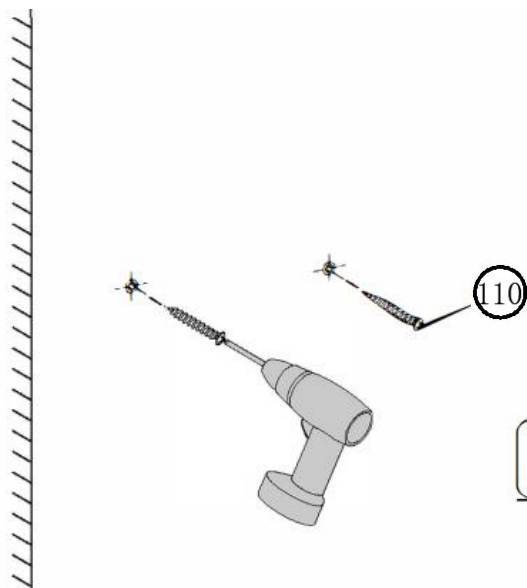
STEP 1



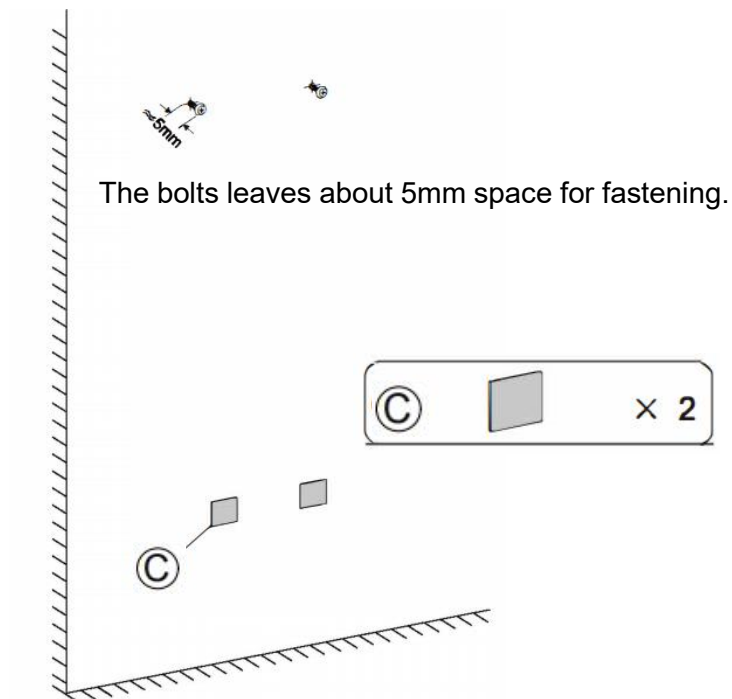
ÉTAPE 2



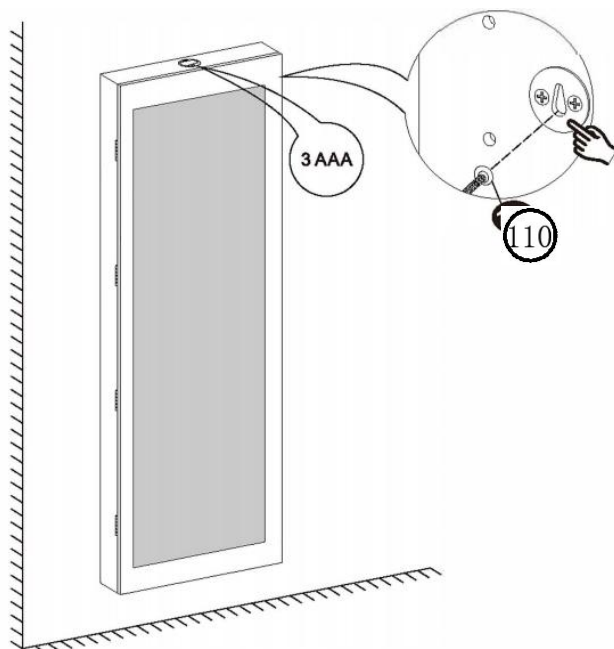
### ÉTAPE 3



## ÉTAPE 4



## ÉTAPE 5



## INSTRUCTIONS FOR LOCK

La serrure est ouverte au numéro d'origine 0-0-0, aligné avec l'indication doubler.

### Méthode de changement de mot de passe :



Sharp object against this hole.

1. Enter the old password and align it with the scale.
2. Hold the pointed object against the hole, and then dial the desired password.
3. Let go and the password is set.

## MAINTENANCE

26. Ouvrez et fermez légèrement la porte, afin de ne pas endommager les charnières (l'angle d'ouverture de la porte est d'environ 100 degrés.)
27. Veuillez placer l'article sur un sol plat et loin des objets pointus et durs. Interdisez de faire glisser brutalement l'armoire, veuillez la soulever pour terminer le déplacement.
28. Pour l'entretien quotidien, veuillez nettoyer avec un chiffon doux et sec. Si nécessaire, vous pouvez utiliser le détergent neutre. Ne pas essuyer la surface avec un chiffon humide ou des objets durs.
29. Gardez l'article à l'écart des produits chimiques acides, afin de ne pas provoquer de réaction chimique ou de décoloration, etc.
30. Conservez ce produit dans une pièce à température normale. Évitez la lumière directe du soleil ou à proximité de sources de chaleur, qui peuvent provoquer des déformations, des distorsions, voire des fissures.

**VEVOR<sup>®</sup>**  
**TOUGH TOOLS, HALF PRICE**

**Technique Assistance et certificat de garantie électronique**  
**[www.vevor.com/support](http://www.vevor.com/support)**

# **VEVOR<sup>®</sup>**

## **TOUGH TOOLS, HALF PRICE**

Technische ondersteuning en e-garantiecertificaat [www.vevor.com/support](http://www.vevor.com/support)

### **SIERADENKAST**

**MODEL:PY-2310SS /PY-2311SS/PY-2312SS/PY-2313SS**

We continue to be committed to provide you tools with competitive price.

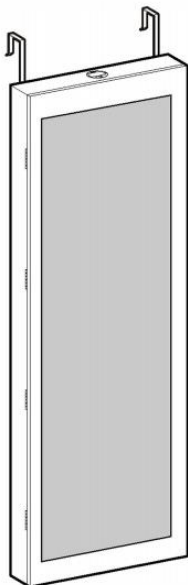
"Save Half", "Half Price" or any other similar expressions used by us only represents an estimate of savings you might benefit from buying certain tools with us compared to the major top brands and does not necessarily mean to cover all categories of tools offered by us. You are kindly reminded to verify carefully when you are placing an order with us if you are actually saving half in comparison with the top major brands.

# VEVOR<sup>®</sup>

TOUGH TOOLS, HALF PRICE

## JEWELRY CABINET

MODEL: PY-2310SS/PY-2311SS/PY-2312SS/PY-2313SS



### NEED HELP? CONTACT US!

Have product questions? Need technical support? Please feel free to contact us:

**Technical Support and E-Warranty Certificate**  
**[www.vevor.com/support](http://www.vevor.com/support)**

This is the original instruction, please read all manual instructions carefully before operating. VEVOR reserves a clear interpretation of our user manual. The appearance of the product shall be subject to the product you received. Please forgive us that we won't inform you again if there are any technology or software updates on our product.

## SAFETY INSTRUCTIONS

### **WAARSCHUWING:**

67. In deze handleiding wordt de inhoud van de doos vermeld. Neem de tijd om de hardware en de afzonderlijke componenten van het product te identificeren.
68. Terwijl u het apparaat uitpakt en klaarmaakt voor montage, plaatst u de inhoud op een met tapijt of opgevuld oppervlak om de inhoud tegen beschadiging te beschermen.
69. Kleine onderdelen aanwezig in ongemonteerde staat. Het is verstikkingsgevaar! Houd tijdens het montageproces kleine voorwerpen buiten het bereik van kinderen. Het kan dodelijk zijn als het wordt ingeslikt of ingeademd.
70. Houd de plastic zak uit de buurt van baby's en kinderen om verstikkingsgevaar te voorkomen.
71. Volg de montage-instructies nauwkeurig. Onjuiste montage kan leiden tot persoonlijke schade of materiële schade.
72. In elkaar gezet door een volwassene. Het product is niet bedoeld voor kinderen. Kinderen moeten onder toezicht van een volwassene staan om het product te gebruiken. Anders de verkoper is niet aansprakelijk voor de schade of het letsel.
73. Laat kinderen nooit rond het product klimmen of ermee spelen, om te voorkomen dat het product valt en de spiegelbehuizing kapot gaat, en om kinderen te beschermen tegen persoonlijk letsel.
74. hem niet op een donkere, vochtige plaats.
75. Het product moet met meegeleverde of zelf aangeschafte accessoires aan de muur worden gemonteerd. Verbied dat kinderen op het meubilair klimmen of hangen.
76. Reinig en desinfecteer uw product regelmatig om het schoon en hygiënisch te houden.
77. Er kan een geur vrijkomen bij het uitpakken van de verpakking. Plaats de kast in een geventileerde ruimte en open de deur om de geur te verwijderen.

## **FCC-informatie voor LED-lamp**

LET OP: Wijzigingen of aanpassingen die niet uitdrukkelijk zijn goedgekeurd door de partij die verantwoordelijk is voor naleving kunnen de bevoegdheid van de gebruiker om de apparatuur te bedienen ongeldig maken!

Dit apparaat voldoet aan Deel 15 van de FCC-regels. De werking is onderworpen aan de volgende twee voorwaarden:

- 1) Dit product kan schadelijke interferentie veroorzaken.
- 2) Dit product moet alle ontvangen interferentie accepteren, inclusief interferentie die een ongewenste werking kan veroorzaken.

**WAARSCHUWING:** Wijzigingen of aanpassingen aan dit product die niet uitdrukkelijk zijn goedgekeurd door de partij die verantwoordelijk is voor naleving kunnen de bevoegdheid van de gebruiker om het product te bedienen ongeldig maken.

Opmerking: Dit product is getest en voldoet aan de limieten voor een digitaal apparaat van Klasse B overeenkomstig Deel 15 van de FCC-regels. Deze limieten zijn bedoeld om redelijke bescherming te bieden tegen schadelijke interferentie in een residentiële installatie.

Dit product genereert, gebruikt en kan radiofrequentie-energie uitstralen, en als het niet wordt geïnstalleerd en gebruikt in overeenstemming met de instructies, kan het schadelijke interferentie aan radiocommunicatie veroorzaken. Er is echter geen garantie dat er geen interferentie zal optreden in een bepaalde installatie. Als dit product schadelijke interferentie veroorzaakt aan radio- of televisieontvangst, wat kan worden vastgesteld door het product uit en weer in te schakelen, wordt de gebruiker aangeraden te proberen de interferentie te corrigeren door een of meer van de volgende maatregelen.

- Heroriënteer of verplaats de ontvangstantenne.
- Vergroot de afstand tussen het product en de ontvanger.
- Sluit het product aan op een stopcontact op een ander circuit dan dat waarop de ontvanger is aangesloten.
- Raadpleeg de dealer of een ervaren radio-/tv-technicus voor hulp.

## CORRECTE VERWIJDERING voor LED-lamp



Dit product valt onder de bepalingen van de Europese Richtlijn 2012/19/EU. Het symbool met een doorgestreepte afvalcontainer geeft aan dat het product in de Europese Unie een aparte afvalinzameling vereist. Dit geldt voor het product en alle accessoires die met dit symbool zijn gemarkeerd. Producten die als zodanig zijn gemarkeerd, mogen niet bij het normale huisvuil worden weggegooid, maar moeten worden ingeleverd bij een inzamelpunt voor recycling van elektrische en elektronische apparaten.

## MODEL AND PARAMETERS

Model	PY-2310SS	PY-231 1	PY-231 2	PY- 231
Product grootte	H*B*D= 42,52*14,37*3,78		H*B*D= 47,05*14,37*3,54	
Kleur	Wit	Bruin	Wit	Bruin
LED verlichting	Gelijkstroom 5V/4,5W			
Montage type	Wandmontage			
Materiaal	Vezelplaat met gemiddelde dichtheid+glas+fluweel			

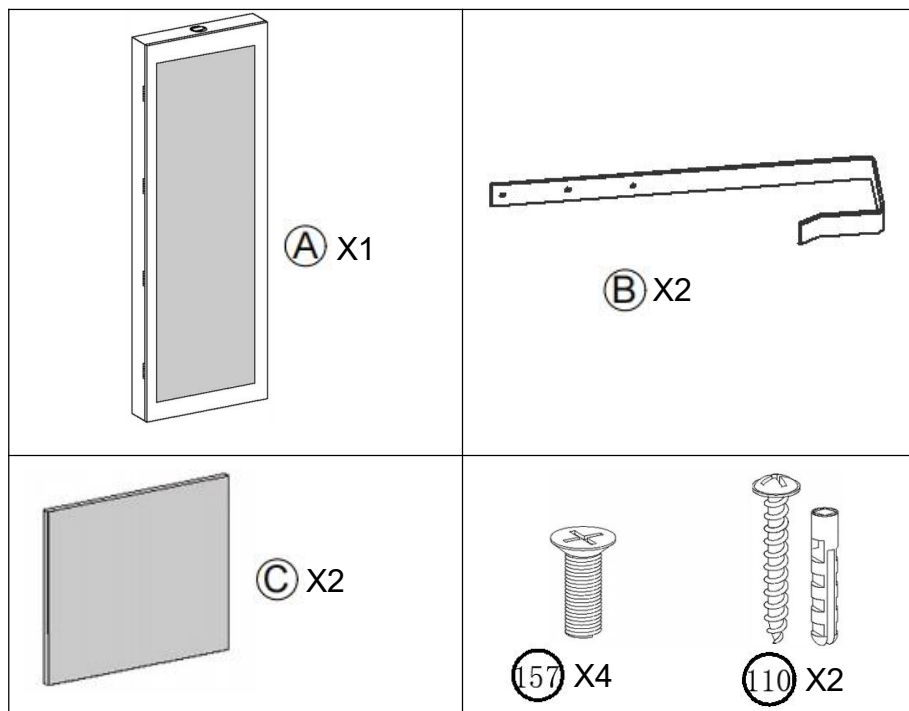
## PARTS LIST AND INSTALLATION

### OPMERKING:

25. Controleer of u alle onderdelen heeft, zoals weergegeven in de onderdelenlijst.

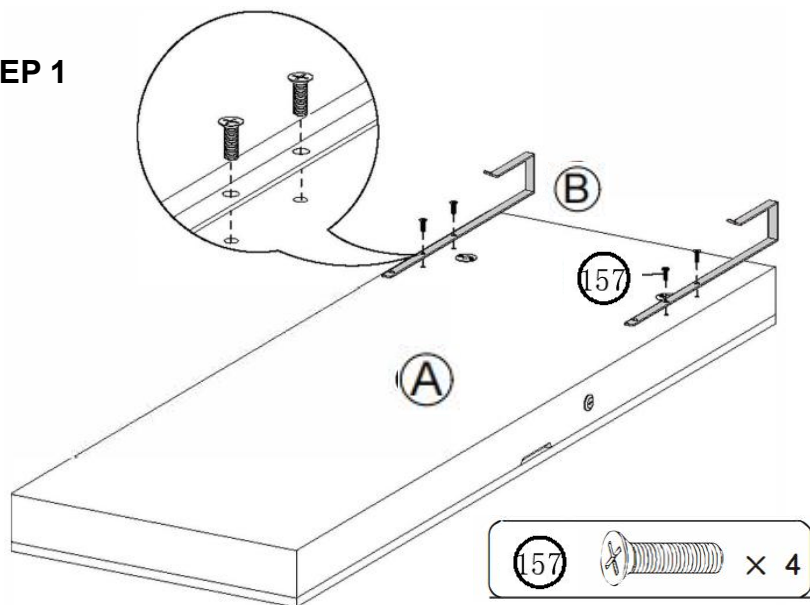
26. Volg de montagestappen in het diagram om de onderdelen te positioneren en af te stellen, en draai vervolgens geleidelijk alle schroeven vast (let op: niet te vast aandraaien).

27. De wandkast wordt geleverd met schroeven en bouten, die geschikt zijn voor montage op het stevige en vlakke wandoppervlak. Gezien de diversiteit van de muur, moet u het juiste beslag aanschaffen professionele handelaar. Het gereedschap wordt niet meegeleverd.
28. Het wordt aanbevolen om de kast door twee volwassenen te monteren. Let erop dat u de kast horizontaal monteert en zorg voor stevigheid om omvallen of vallen te voorkomen.

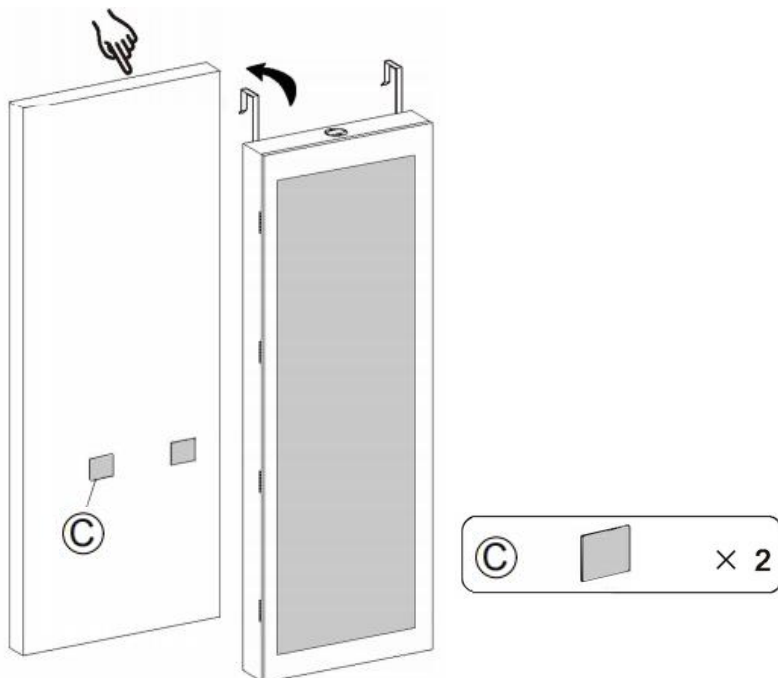


### Installatiemethode 1

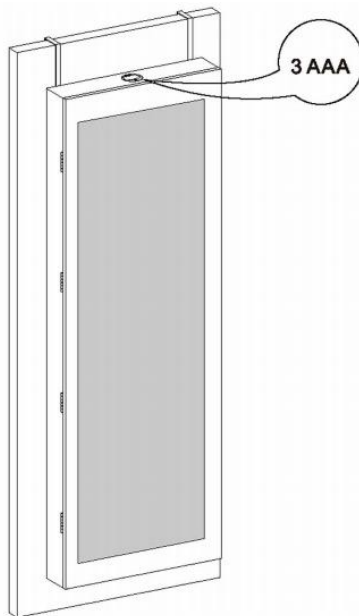
### STEP 1



### STAP 2



### STAP 3

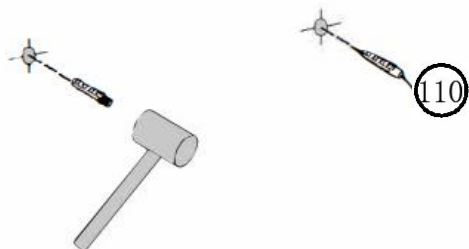


### Installatiemethode 2

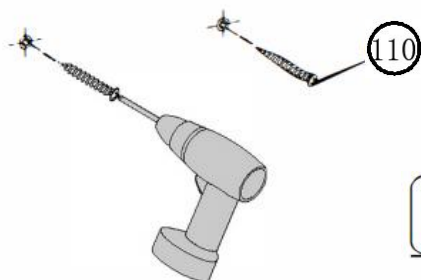
**STEP 1**



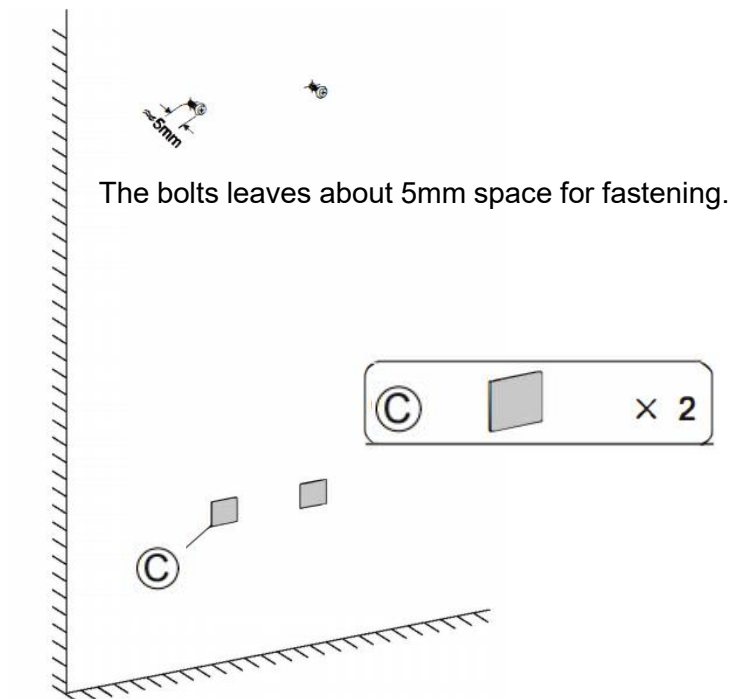
**STAP 2**



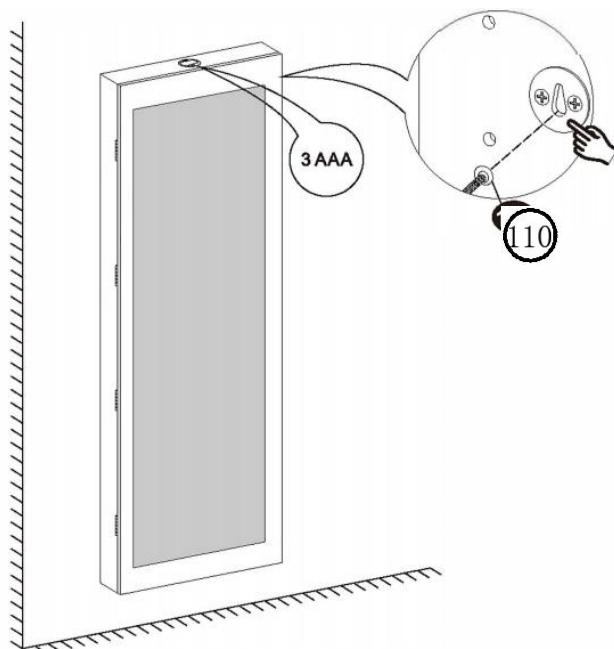
### STAP 3



## STAP 4



## STAP 5



## INSTRUCTIONS FOR LOCK

Het slot wordt geopend op het originele nummer 0-0-0, uitgelijnd met de aanduiding lijn.

### Methode voor het wijzigen van wachtwoorden :



Sharp object against this hole.

1. Enter the old password and align it with the scale.
2. Hold the pointed object against the hole, and then dial the desired password.
3. Let go and the password is set.

## MAINTENANCE

31. Open en sluit de deur lichtjes, om de scharnieren niet te beschadigen (openingshoek van de deur is ongeveer 100 graden).
32. Plaats het artikel op een vlakke ondergrond en uit de buurt van scherpe en harde voorwerpen. Verbied het ruw slepen van de kast, til hem op om de verplaatsing te voltooien.
33. Voor dagelijks onderhoud kunt u het apparaat reinigen met een zachte, droge doek. Indien nodig kunt u het neutrale wasmiddel gebruiken. Het oppervlak mag niet worden afgeveegd met een natte doek of harde voorwerpen.
34. Houd het artikel uit de buurt van zure chemicaliën, om geen chemische reactie of verkleuring enz. te veroorzaken.
35. Bewaar dit product in een kamer met normale temperatuur. Vermijd direct zonlicht of naast warmtebronnen, die vervorming, vervorming en zelfs barsten kunnen veroorzaken.

**VEVOR**<sup>®</sup>  
TOUGH TOOLS, HALF PRICE

Technisch Ondersteuning en e-garantiecertificaat  
[www.vevor.com/support](http://www.vevor.com/support)

# **VEVOR<sup>®</sup>**

## **TOUGH TOOLS, HALF PRICE**

Teknisk support och e-garanticertifikat [www.vevor.com/support](http://www.vevor.com/support)

### **SMYCKESKÅP**

**MODELL: PY-2310SS /PY-2311SS/PY-2312SS/PY-2313SS**

We continue to be committed to provide you tools with competitive price.

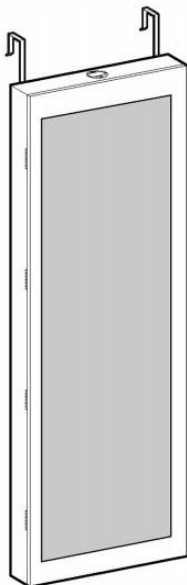
"Save Half", "Half Price" or any other similar expressions used by us only represents an estimate of savings you might benefit from buying certain tools with us compared to the major top brands and does not necessarily mean to cover all categories of tools offered by us. You are kindly reminded to verify carefully when you are placing an order with us if you are actually saving half in comparison with the top major brands.

# VEVOR<sup>®</sup>

TOUGH TOOLS, HALF PRICE

## JEWELRY CABINET

MODELL: PY-2310SS/PY-2311SS/PY-2312SS/PY-2313SS



### NEED HELP? CONTACT US!

Have product questions? Need technical support? Please feel free to contact us:

**Technical Support and E-Warranty Certificate**  
**[www.vevor.com/support](http://www.vevor.com/support)**

This is the original instruction, please read all manual instructions carefully before operating. VEVOR reserves a clear interpretation of our user manual. The appearance of the product shall be subject to the product you received. Please forgive us that we won't inform you again if there are any technology or software updates on our product.

## SAFETY INSTRUCTIONS

### **WARNING:**

78. Denna handbok listar innehållet som ingår i kartongen. Ta dig tid att identifiera både hårdvaran och de enskilda komponenterna i produkten.
79. När du packar upp och förbereder för montering, placera innehållet på en matta eller vadderad yta för att skydda dem från skador.
80. Små delar finns i omonterat skick. Det är en kvävningrisk! Förvara små föremål utom räckhåll för barn under monteringsprocessen. Det kan vara dödligt vid förtäring eller inandning.
81. För att undvika risk för kvävning, förvara plastpåsen borta från spädbarn och barn.
82. Följ monteringsanvisningen noggrant. Felaktig montering kan leda till skador på person eller egendom.
83. Monteras av en vuxen. Produkten är inte avsedd för barn. Barn måste vara under uppsikt av vuxen för att använda produkten. Annat säljaren ansvarar inte för skadan eller skadan.
84. Låt aldrig barn klättra eller leka runt produkten för att förhindra att produkten faller och spegelkroppen går sönder, och skydda barn från personskador.
85. den inte på en mörk, fuktig plats.
86. Produkten ska monteras på väggen med medföljande eller egenköpta tillbehör . Förbjud barn att klättra eller hänga på möblerna.
87. Rengör och desinficera din produkt ofta för att hålla den ren och hygienisk.
88. Det kan lukta när du packar upp förpackningen, placera skåpet i ett ventilerat utrymme och öppna dörren för att ta bort lukten.

### **FCC Information för LED-lampa**

**FÖRSIKTIGHET:** Ändringar eller modifieringar som inte uttryckligen godkänts av den part som ansvarar för efterlevnaden kan upphäva användarens behörighet att använda utrustningen!

Denna enhet uppfyller del 15 av FCC-reglerna. Driften är föremål för

följande två villkor:

- 1) Denna produkt kan orsaka skadliga störningar.
- 2) Denna produkt måste acceptera alla mottagna störningar, inklusive störningar som kan orsaka oönskad funktion.

**WARNING:** Ändringar eller modifieringar av denna produkt som inte uttryckligen godkänts av den part som är ansvarig för efterlevnaden kan upphäva användarens behörighet att använda produkten.


Obs: Denna produkt har testats och befunnits överensstämma med gränserna för en digital enhet av klass B i enlighet med del 15 av FCC-reglerna. Dessa gränser är utformade för att ge rimligt skydd mot skadliga störningar i en bostadsinstallation.

Denna produkt genererar, använder och kan utstråla radiofrekvensenergi, och om den inte installeras och används i enlighet med instruktionerna kan den orsaka skadliga störningar på radiokommunikation. Det finns dock ingen garanti för att störningar inte kommer att inträffa i en viss installation. Om denna produkt orsakar skadliga störningar på radio- eller tv-mottagning, vilket kan fastställas genom att stänga av och på produkten, uppmanas användaren att försöka korrigera störningen med en eller flera av följande åtgärder.

- Rikta om eller flytta mottagningsantennen.
- Öka avståndet mellan produkten och mottagaren.
- Anslut produkten till ett uttag på en annan krets än den som mottagaren är ansluten till.
- Kontakta återförsäljaren eller en erfaren radio/TV-tekniker för hjälp.

## **KORREKT AVFALLSHANTERING för LED-lampa**



Denna produkt omfattas av bestämmelserna i det europeiska direktivet 2012/19/EU. Symbolen som visar en soptunna korsad  anger att produkten kräver separat sophämtning i EU. Detta gäller för produkten och alla tillbehör märkta med denna symbol. Produkter märkta som sådana får inte slängas tillsammans med vanligt hushållsavfall, utan måste lämnas till en samlingsplats för återvinning av elektriska och elektroniska apparater.

## MODEL AND PARAMETERS

Modell	PY-2310SS	PY-231 1	PY-231 2	PY-231 3
Produktstorlek	H*B*D= 42,52*14,37*3,78		H*B*D= 47,05*14,37*3,54	
Färg	Vit	Brun	Vit	Brun
LED-ljus	DC 5V/4,5W			
Monteringstyp	Väggmontering			
Material	Träfiberskiva med medeldensitet+glas+sammet			

## PARTS LIST AND INSTALLATION

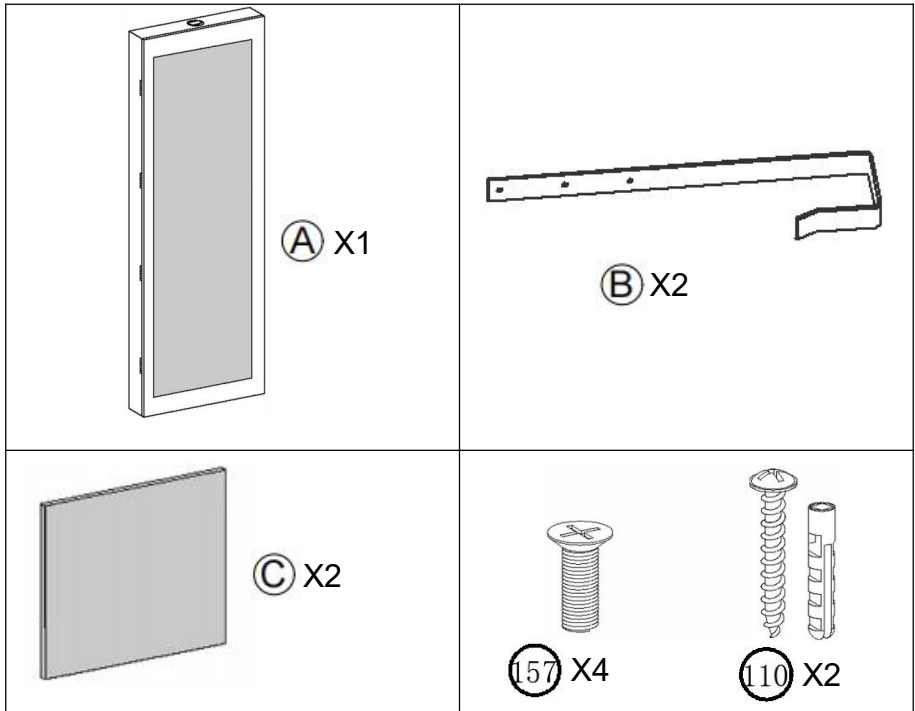
### NOTERA:

29. Kontrollera att du har alla delar som visas i delistan.

30. Följ monteringsstegen som visas i diagrammet för att placera och justera delarna, dra sedan gradvis åt alla skruvar (obs: dra inte åt för mycket).

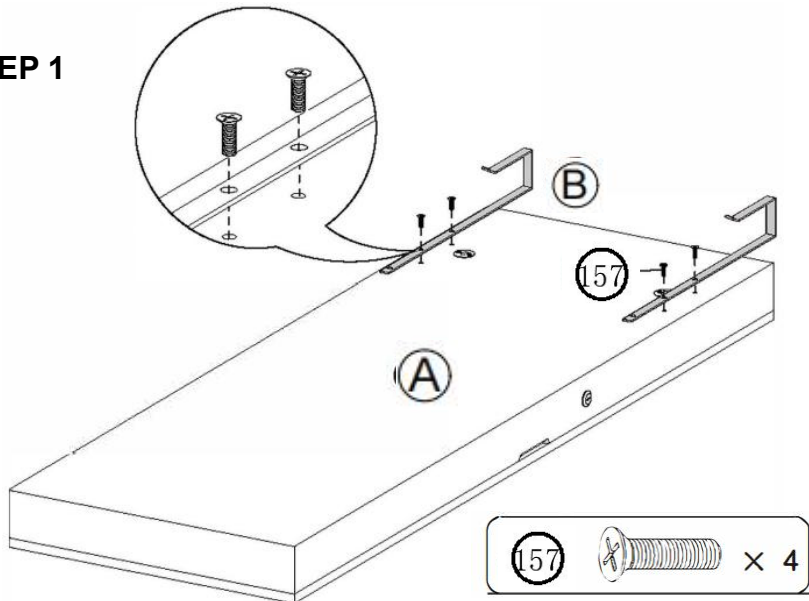
31. Det vägghängda skåpet levereras med skruvar och bultar, vilket är lämpligt att montera på den solida och plana väggytan. Med tanke på väggens mångfald måste du köpa lämpliga beslag från professionell återförsäljare. Verktygen medföljer inte.

32. Det rekommenderas att montera skåpet av två vuxna. Var uppmärksam på att montera skåpet horisontellt och se till att det är stadigt för att undvika att det välter eller faller.

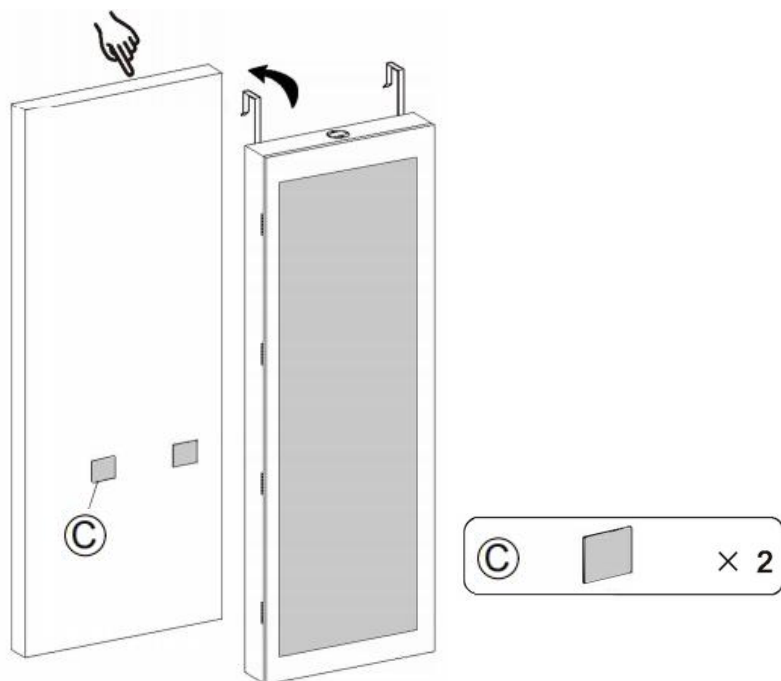


### Installationsmetod 1

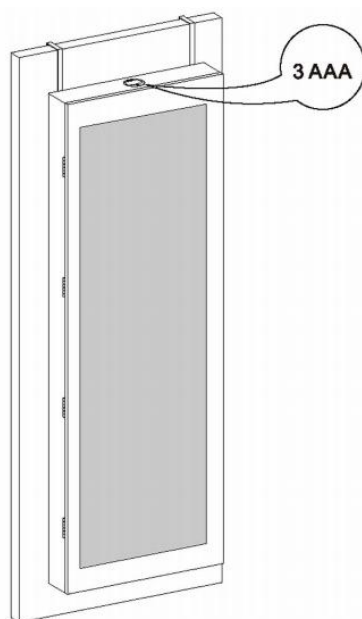
**STEP 1**



## STEG 2



## STEG 3



## Installationsmetod 2

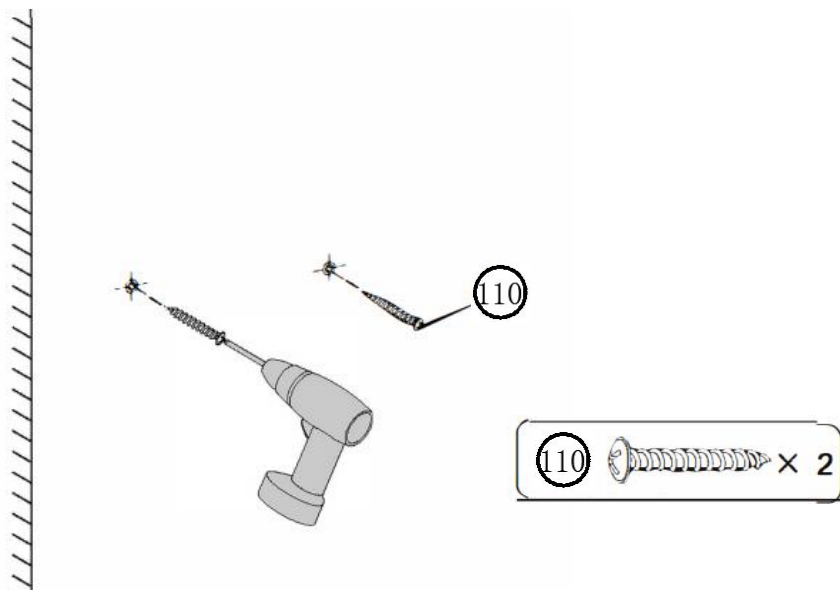
### STEP 1



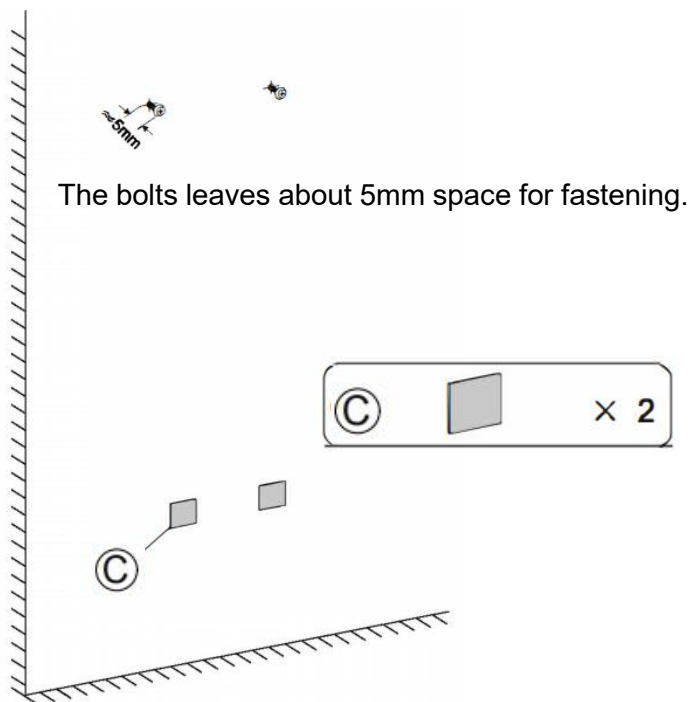
### STEG 2



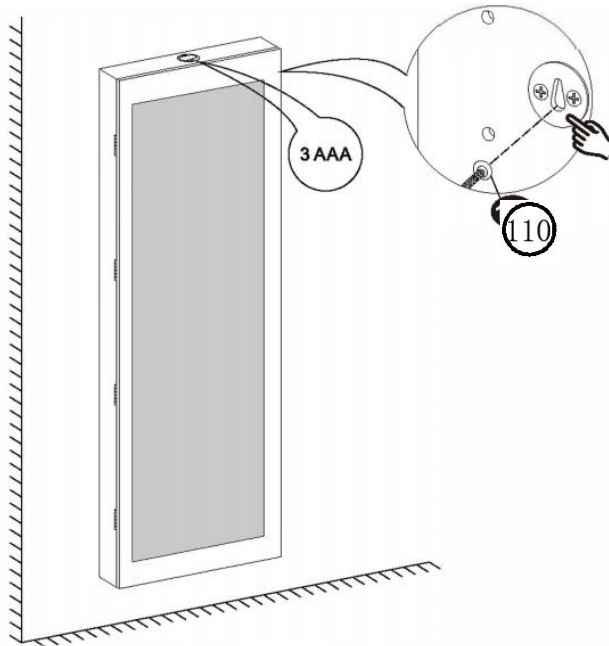
### STEP 3



### STEP 4



## STEG 5



## INSTRUCTIONS FOR LOCK

Låset öppnas vid det ursprungliga numret 0-0-0, i linje med indikeringen linje.

### Metod för lösenordsändring :



Sharp object against this hole.

1. Enter the old password and align it with the scale.
2. Hold the pointed object against the hole, and then dial the desired password.
3. Let go and the password is set.

## MAINTENANCE

36. Öppna och stäng luckan lätt för att inte skada gångjärnen (dörrens öppningsvinkel är cirka 100 grader.)
37. Placera artikeln på en plan mark och borta från vassa och hårda föremål. Förbjud att oförskämt dra skåpet, vänligen lyft upp det för att avsluta flytten.
38. För daglig skötsel, rengör med en mjuk och torr trasa. Om det behövs kan du använda det neutrala tvättmedlet. Tillåt inte att torka av ytan med en våt trasa eller hårda föremål.
39. Håll artikeln borta från de sura kemikalierna för att inte orsaka den kemiska reaktionen eller missfärgningen etc.
40. Förvara denna produkt i rum med normal temperatur. Undvik direkt solljus eller bredvid värmekällor, vilket kan orsaka deformation, distorsion till och med sprickbildning.

**VEVOR**<sup>®</sup>  
TOUGH TOOLS, HALF PRICE

Teknisk Support och e-garanticertifikat  
[www.vevor.com/support](http://www.vevor.com/support)