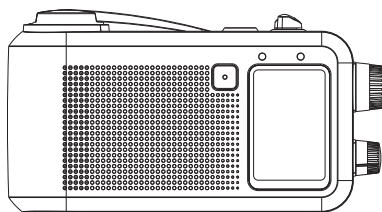
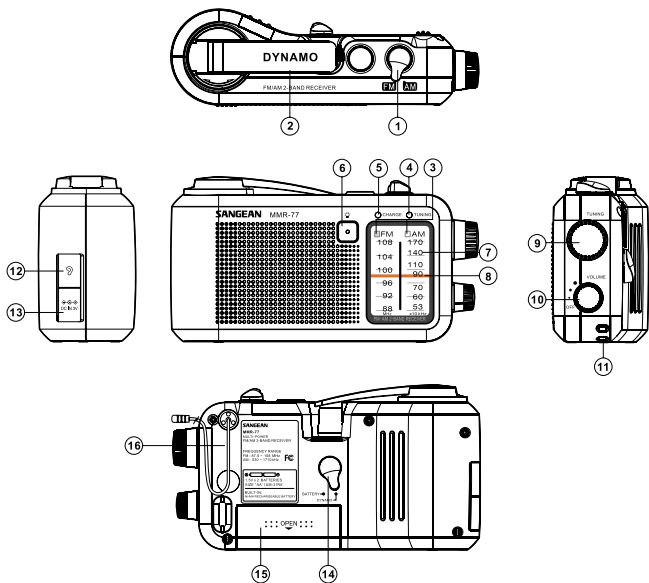


MMR-77CL



GB

Revision 1



Controls

- | | |
|--------------------------|--------------------------------|
| ① AM/FM band switch | ⑨ Rotary tuning |
| ② Dynamo power | ⑩ Power and volume control |
| ③ AM/FM band indicator | ⑪ Hand strap holder |
| ④ Tuning LED indicator | ⑫ Earphone socket |
| ⑤ Charging LED indicator | ⑬ DC jack for AC power adaptor |
| ⑥ Backlight button | ⑭ Battery/Dynamo switch |
| ⑦ Dial scale | ⑮ Battery compartment |
| ⑧ Dial pointer | ⑯ Wire antenna |

Power Supply

1. Battery operation

- a. Open the battery compartment by pressing the marking and opening the lid.
- b. Take out the used batteries by pulling the first one with your index finger. Then take out the second battery.
- c. When inserting the new batteries (2 x 1.5V, type UM-3, AA or LR6), observe the correct polarity.

Note:

Take out the batteries when you know that the device won't be used for a long period of time. The manufacturer accepts no liability for damage from used batteries.

Environmental note:

Batteries, including those which contain no heavy metal, may not be disposed of with household waste.

Please dispose of used batteries in a environmentally sound manner. Find out about the legal regulations which apply in your area.

2. Mains operation (with 3V/200mA mains power adaptor, central positive in polarity)

- a. plug the mains power adaptor (not supplied) into the DC jack socket (2.5 mm in diameter) on the left of the device.
- b. The batteries in the compartment are switched off.

Note:

you can't charge the standard battery or rechargeable battery via Mains operation.

3. Dynamo power

Note:

You can charge the radio via Dynamo power either the battery switch in battery or dynamo position. The Dynamo charging is to the built-in dynamo battery not the battery in the battery compartment.

- a. take out Dynamo power handle from it rest position.
- b. rotary the Dynamo handle around 120 circles per minute speed, either clock or anti-clock wise until the charging LED indicator is on indicating charging condition.
- c. Under normal listening condition, one minute charging can listen to the radio for around 30 minutes. (AM band and using speaker).
- d. Make sure the handle in its rest position after charging completed.
- e. You can dynamo charge the radio either radio in its on or off position.
- f. Make sure the telescopic antenna to be in rest position before rotary the dynamo handle.

Note:

When plugged in AC power adaptor into DC jack, the dynamo charging won't be effective.

Note:

The built-in rechargeable battery for Dynamo power will last for 300-500 times of charging, therefore it's suggested to power the radio by standard battery or AC power adaptor (not supplied).

Radio operation

1. Select the power to be Battery (make sure the batteries are in and powerful) or Dynamo position by switching battery/dynamo switch.
2. Switch on the radio by turning the power/volume control.
3. Select required radio band (AM or FM).
4. For FM reception , pull out the telescopic antenna and rotary it until you receive the best signal. For AM, align the antenna by turning the radio for best reception and avoid interference from computer , electronics devices etc.
5. Adjust the volume by rotary volume control.

GB

Listening with earphones

Insert the earphones plug (3.5 mm, stereo) into the earphones socket on the left side of the device.

This will automatically switches off the loudspeakers.

Backlight

The radio has a backlight next to the dial window, it will illuminate when the backlight button is pressed and turn off automatically after 5 seconds.

Technical Data

Power Supply:

Battery operation	2x1.5V (type Mignon LR6/UM3/AA)
Mains operation	3V 300mA, mains power adaptor, center Pin Positive in polarity
Dynamo operation	built-in 2 AAA size x 1.2V rechargeable Battery
Output	100 mW

Frequency Coverage

FM (VHF) 87.50 - 108 MHz

AM (MW) 530 - 1710 kHz

Antenna

wire antenna FM (VHF)

Ferrite rod antenna AM (MW)

Socket

DC socket

2.5 mm in diameter, 3V 200 mA, center pin Positive.

Earphone jack

3.5 mm in diameter, stereo, 32 ohm Impedance

Dimensions and weight

167mm x 89mm x 52mm (WxHxD)

250g



If at any time in the future you should need to dispose of this product please note that: Waste electrical products should not be disposed of with household waste. Please recycle where facilities exist. Check with your Local Authority or retailer for recycling advice. (Waste Electrical and Electronic Equipment Directive)